



Groundsmaster[®] 120

Model No. 30612TE—230000001 and Up

Parts Catalog

Ordering Replacement Parts

To order replacement parts, please supply: the part number, the quantity, and the description of each part desired.

Understanding Reference Numbers

Each identified part in an illustration has a reference number. The reference number for a part also appears in the parts list, along with other information about the part.

This catalog uses two special reference number formats, one to indicate parts in a service assembly and another to indicate the quantity of a given part in an illustration.

Service Assembly Reference Numbers

Parts in service assemblies have reference numbers in the form **a:b**. The **a** represents the reference number of the entire service assembly and the **b** represents a sequential number unique to each part within the service assembly.

For example, a wheel assembly might be identified by reference number **6**, the tire by **6:1**, the valve by **6:2**, and the wheel by **6:3**. When you order the assembly identified by reference number **6**, you receive all parts identified by reference numbers **6:1**, **6:2**, and **6:3**. However, you may also order any part individually.

Reference numbers of this type appear in illustrations and in part lists.

Reference Numbers Indicating Quantity

In an illustration, if a reference number indicates more than one part, the reference number has the form **nX y**. The **n** represents the quantity of the part, the **X** is the multiplication symbol, and the **y** represents the reference number.

For example, in an illustration, the reference number **2X 37** means that two of the parts identified by reference number **37** are indicated.

Contents

Description	Page	Description	Page
Frame and Steering Assembly	4	Crankcase Assembly	
Frame and Steering Assembly (Continued) ...	5	(Kohler CH20QS-PS64677)	25
Rear Axle Assembly	6	Oil Pan / Lubrication Assembly	
Front Wheel Assembly	7	(Kohler CH20QS-PS64677)	26
Frame and Jackshaft Assembly	8	Head / Valve / Breather Assembly	
Frame and Jackshaft Assembly (Continued) ..	9	(Kohler CH20QS-PS64677)	27
Seat Support Assembly	10	Head / Valve / Breather Assembly (Continued)	
Seat Assembly	11	(Kohler CH20QS-PS64677)	28
Vavle Assembly No. 54-0090	12	Ignition Electrical Assembly	
Parking Brake and Lift Frame Assembly	13	(Kohler CH20QS-PS64677)	29
Hydraulic Lift Cylinder Assembly 54-0150	14	Blower Housing and Baffles Assembly	
Hood, Fuel Tank and Hydraulic		(Kohler CH20QS-PS64677)	30
Reservoir Assembly	15	Starting System Assembly	
Engine Assembly	16	(Kohler CH20QS-PS64677)	31
Clutch Assembly No. 54-0220	17	Fuel System Assembly	
Electrical Schematic	18	(Kohler CH20QS-PS64677)	32
Hydraulic Schematic	19	Engine Control Assembly	
Differential Assembly	20	(Kohler CH20QS-PS64677)	33
Transmission Assembly	21	Air Intake and Filtration Assembly	
Hydrostatic Transmission Assembly	22	(Kohler CH20QS-PS64677)	34
Hydrostatic Transmission Assembly (Continued)	23	Exhaust Assembly	
Crankshaft Assembly		(Kohler CH20QS-PS64677)	35
(Kohler CH20QS-PS64677)	24		

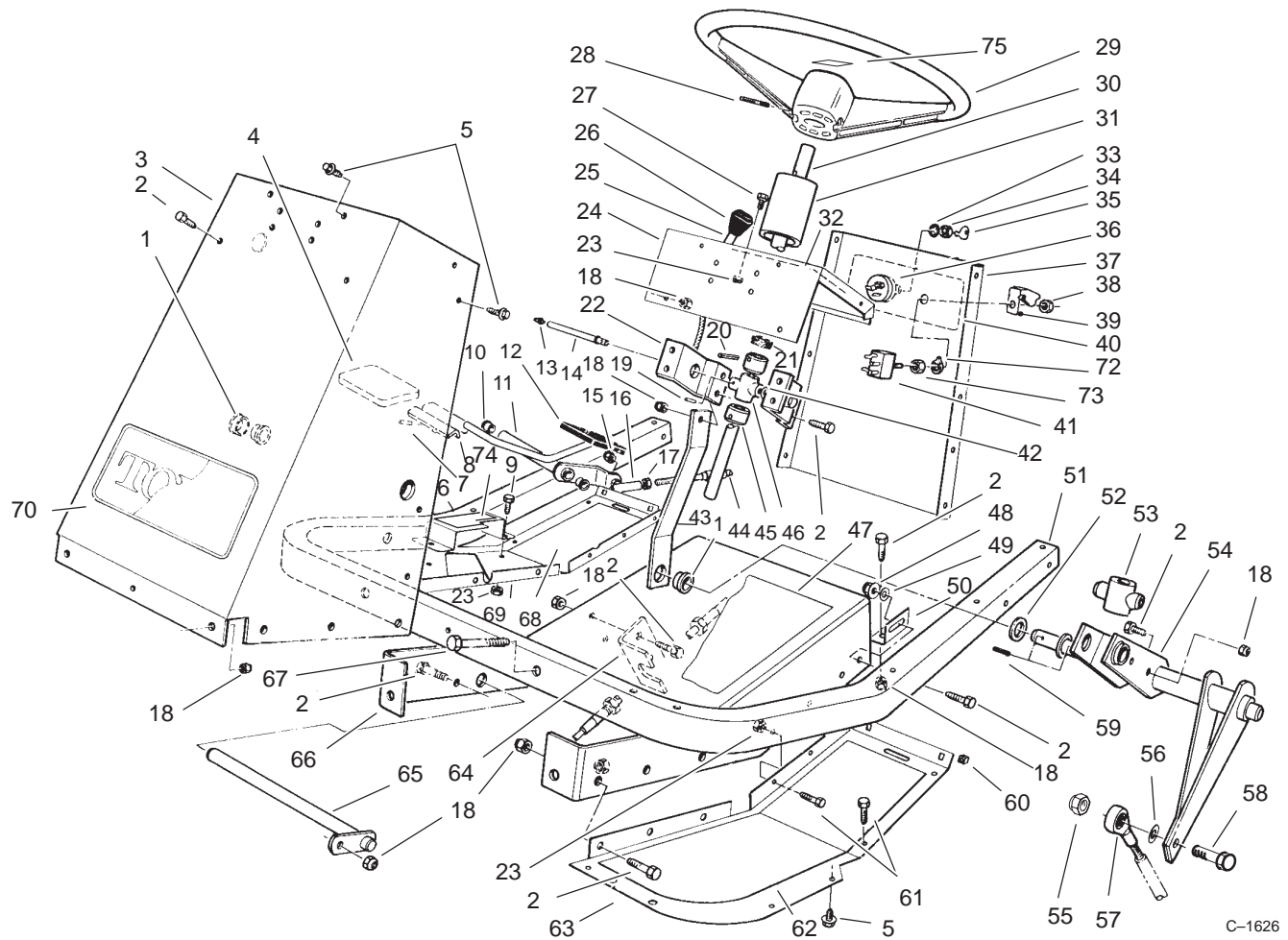
Accessories

Description	Model / Part No.	Description	Model / Part No.
Flotation Kit	57-3190	52" Side Discharge Deck	30753
44" Deck Baffle Kit	60-9030	44" Grass Collection System	30751
52" Deck Baffle Kit	68-7210	52" Grass Collection System	30576
44" Leaf Mulcher Deck	30752	44" Recycler Kit	99-4582
52" Leaf Mulcher Deck	30700	52" Recycler Kit	99-4586
Wheel Weight Kit	56-6620	Armrest Kit	92-1186
44" Snowthrower	30761	Tire Chain Kit	56-6630
44" Side Discharge Deck	30544	Rear Weight	24-5790
44/52" Striping Kit	99-4590	European Complacence Parts Kit	93-9450

Part Description Abbreviations

Part descriptions in this catalog may include the following abbreviations.

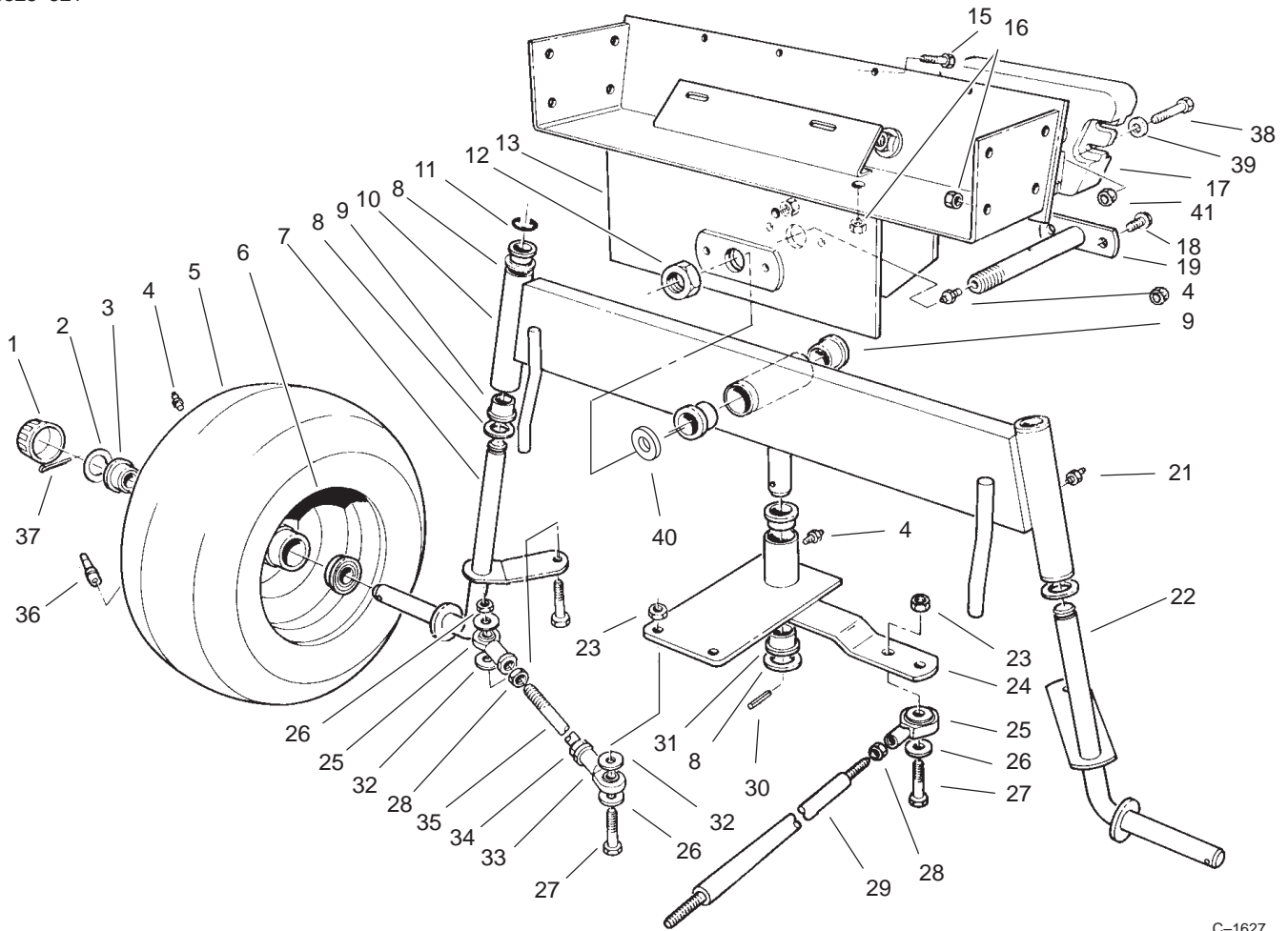
Abbreviation	Meaning	Abbreviation	Meaning
AR	as required	HYD	hydraulic
ASM	assembly	INC	incorporated
CARR	carriage	LH	left hand
DEG	degrees	NI	nylon insert
FH	flat head	PPH	Phillips pan head
GA	gauge	PTH	Phillips truss head
HF	hex flange	PTO	power take off
HH	hex head	RH	right hand
HHF	hex head flange	SFH	slotted fillister head
HLH	hex lag head	SHH	slotted hex head
HJ	hex jam	SQH	square head
HOC	height-of-cut	SHWH	slotted hex washer head
HS	hex socket	SPH	slotted pan head
HSBH	hex socket button head	SRH	slotted round head
HSFH	hex socket flat head	STD	standard
HSH	hex socket head	TAP	self tapping
HWH	hex washer head	TTH	Torx truss head
HWHTF	hex washer head thread forming	WH	wing head



C-1626

Frame and Steering Assembly (Continued)

Ref. No.	Part No.	Qty.	Description	Ref. No.	Part No.	Qty.	Description
44	54-2640	1	Cable—Control, Traction	66	60-9150	1	Tunnel
45	28-3940	2	Collar—Shaft, Steering	67	322-10	2	Screw—HH
46	60-9050	1	Bearing—Shaft, Steering	68	54-2270	1	Pad—Footrest, RH
47	54-0880	1	Decal—Tunnel	69	80-4910	1	Footrest—RH
48	32128-20	1	Nut—Lock, Flange	70	62-7400	1	Decal—Toro
49	3256-23	4	Washer—Flat	72	102950	1	Washer
50	54-1440	2	Bracket—Tunnel	73	105805	1	Nut
51	60-9140	1	Frame—Footrest	74	82-4720	1	Pad—Footrest
52	3-6498	2	Washer—Thrust	75	98-1459	1	Decal—Toro
53	54-2630	1	Follower—Shaft, Steering				
54	54-2040	1	Lever—Follower				
55	3296-48	1	Nut—Lock				
56	3256-4	1	Washer—Flat				
57	251-304	1	End—Rod				
58	324-6	1	Screw—HH				
59	32121-77	2	Roll—Pin				
60	32115-5	4	Nut—Square				
61	321-4	9	Screw—HH				
62	54-2260	1	Pad—Footrest, LH				
63	54-1470	1	Footrest—LH				
64	54-1770	1	Bracket—Cable, Traction				
65	59-1550	1	Pedal—Shaft				

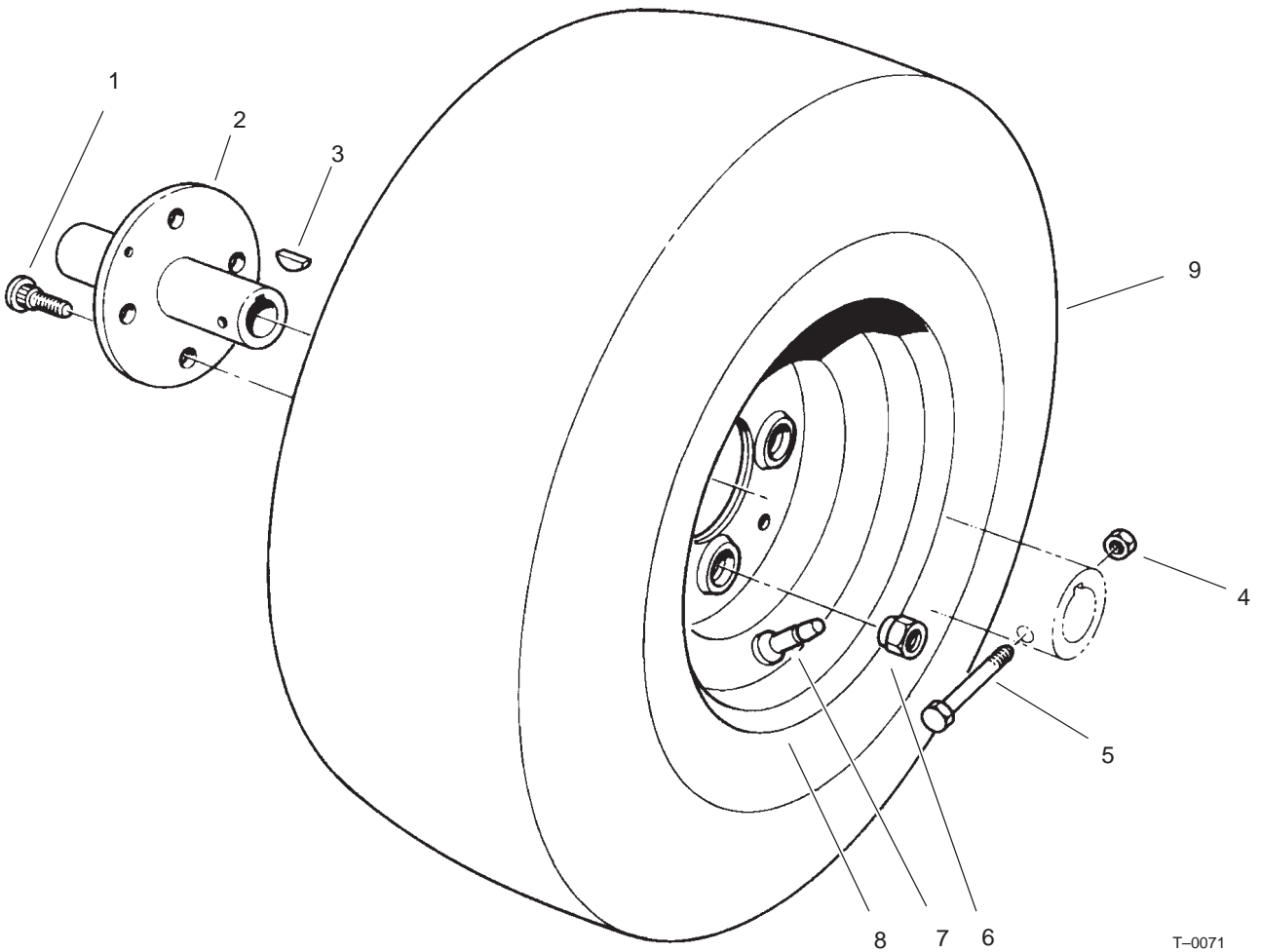


C-1627

Rear Axle Assembly

Ref. No.	Part No.	Qty.	Description
1	61-9780	2	Cap-Hub
2	28-2480	2	Washer-Flat
3	251-210	4	Bearing-Ball
4	302-5	4	Fitting-Grease
5	231-126	2	Tire
6	242-60	2	Rim
7	54-0570	1	Spindle-RH
8	3-6498	5	Washer-Thrust
9	46-6680	6	Bushing
10	92-6255	1	Axle-Rear (Incl. Ref. #9)
11	32151-48	2	Ring-Retaining
12	3296-41	1	Nut-Hex
13	54-0330	1	Frame-Rear
15	321-4	4	Screw
16	3296-29	8	Nut
17	24-5790	1	Weight-Rear
18	32144-15	2	Screw
19	59-1500	1	Pivot-Axle
21	302-49	3	Fitting-Grease
22	54-0560	1	Spindle-LH
23	3296-48	5	Nut
24	92-6257	1	Plate-Pivot (Incl. Ref. 31)
25	251-305	3	End-Rod
26	3256-4	6	Washer-Flat

Ref. No.	Part No.	Qty.	Description
27	324-7	5	Screw
28	3220-4	3	Nut-Jam
29	54-1491	1	Rod-Steering, Rear
30	32121-51	1	Pin-Roll
31	27-9080	2	Bushing
32	62-4420	81	Spacer
33	251-304	2	End-Rod
34	3220-19	2	Nut-Jam
35	57-3100	2	Tie Rod-Steering
36	232-27	2	Valve Stem w/Cap
37	3272-12	2	Pin-Cotter
38	325-14	2	Screw
39	3256-26	2	Washer
40	3256-39	1	Washer
41	3217-9	4	Nut

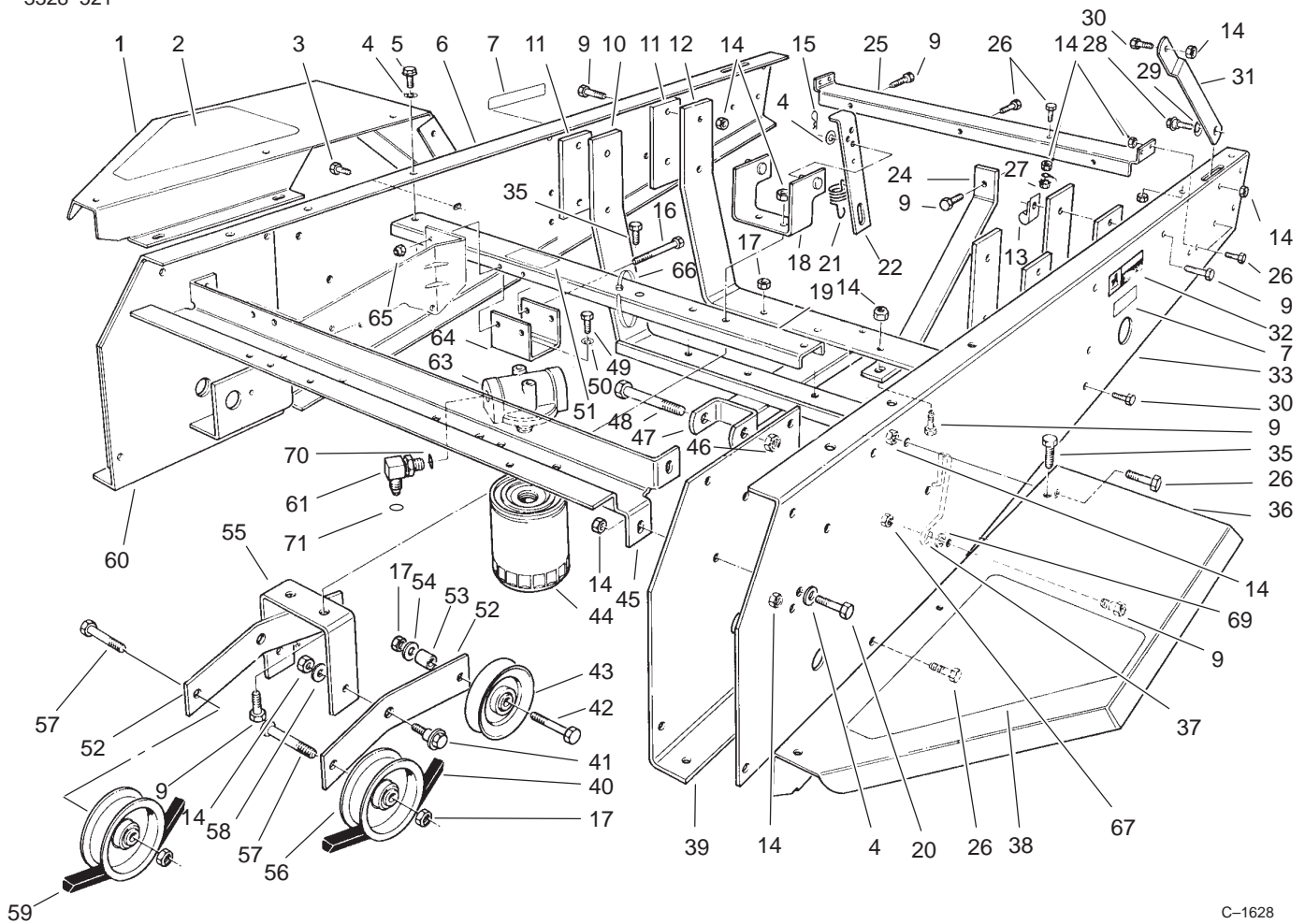


T-0071

Front Wheel Assembly

Ref. No.	Part No.	Qty.	Description
1	242-71	8	Bolt-Wheel
2	54-0140	2	Hub-Wheel
3	3257-10	2	Key-Woodruff
4	3296-29	2	Nut-Lock
5	322-10	2	Screw
6	242-50	8	Nut
7	232-27	2	Valve Stem w/Cap
8	242-76	2	Rim
9	231-122	2	Tire

Ref. No.	Part No.	Qty.	Description

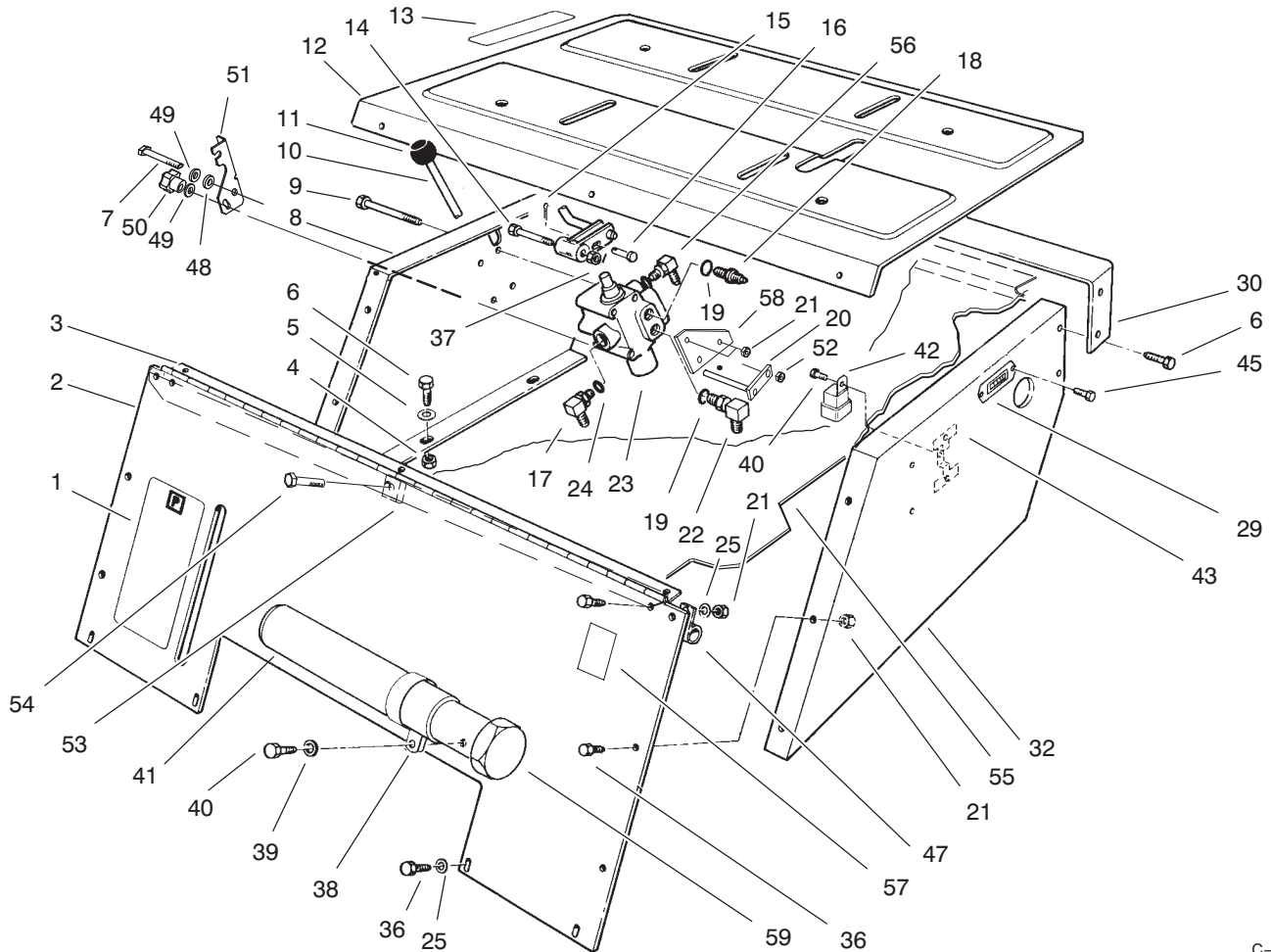


C-1628

Frame and Jackshaft Assembly

Ref. No.	Part No.	Qty.	Description
1	54-1930	1	Fender—RH
2	92-6292	1	Pad—Fender, RH
3	3234-14	4	Screw
4	3256-23	8	Washer—Flat
5	32144-11	2	Screw—HWHTF
6	54-1910	1	Channel—Side, RH
7	93-7272	2	Decal—Caution
9	322-6	18	Screw
10	92-6250	1	Mount—Engine
11	54-1810	4	Plate—Engine, Rear
12	92-6251	1	Mount—Engine
13	2412-100	2	J—Clamp
14	3296-29	33	Nut
15	3290-250	2	Pin—Cotter
16	321-14	2	Screw
17	3296-44	4	Nut
18	54-2070	1	Anchor—Spring
19	98-0794	1	Channel—Middle
20	323-7	3	Screw
21	54-1410	1	Spring—Idler
22	54-1130	2	Link—Idler Anchor
24	92-6254	1	Bar—Tension
25	54-1830	1	Support—Shield
26	322-4	13	Screw
27	32149-1	1	Nut—Lock
28	27-0410	2	Bolt—Shoulder

Ref. No.	Part No.	Qty.	Description
29	3290-211	2	Washer—Spring
30	322-3	2	Screw
31	54-1870	2	Stop—Hood, Lower
32	93-8071	1	Decal—Warning
33	54-1920	1	Channel—Side, LH
35	46-8560	7	Screw
36	54-1940	1	Fender—LH
37	55-4860	1	Guide—Belt
38	92-6293	1	Pad—Fender, LH
39	54-0460	1	Stand—Axle, LH
40	54-1380	1	V—Belt
41	19-1470	2	Bolt—Shoulder
42	323-11	2	Screw
43	62-4530	2	Idler
44	54-0110	1	Filter—Oil, Transmission
45	54-1010	1	Channel—Front
46	3296-61	1	Nut
47	92-6252	1	Mount—Cylinder
48	327-24	1	Screw
49	321-3	2	Screw
50	3253-3	2	Washer—Lock
51	53-4430	1	Decal—Oil
52	98-0795	2	Lever—Idler
53	37-7250	2	Spacer

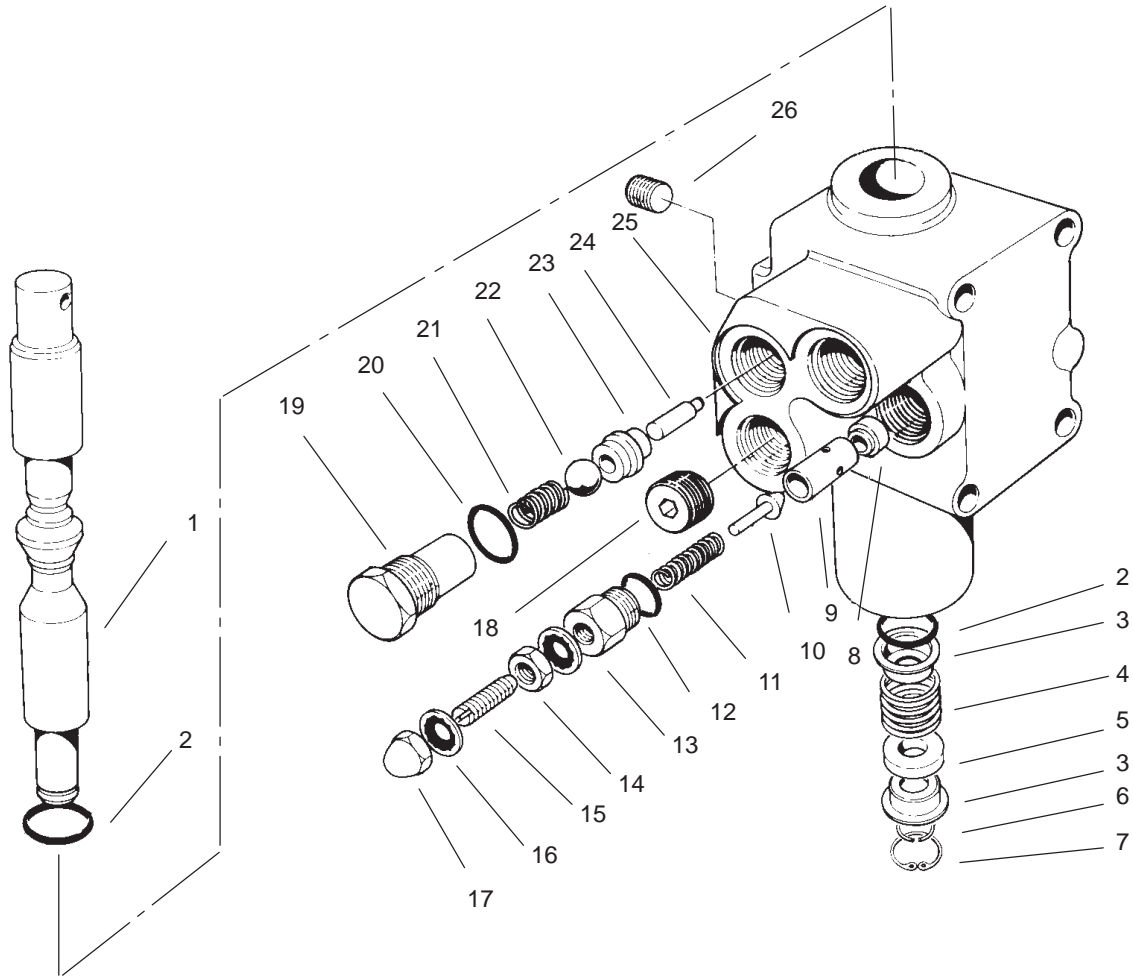


C-2813

Seat Support Assembly

Ref. No.	Part No.	Qty.	Description
1	93-7296	2	Decal-Brake, Parking
2	80-3760	1	Support-Seat, Front
3	54-1310	1	Hinge-Seat
4	3296-29	12	Nut
5	3256-23	6	Washer-Flat
6	322-4	10	Screw
7	321-23	2	Screw
8	54-1220	1	Support-Seat, RH
9	321-23	2	Screw
10	82-4680	1	Lever-Valve
11	233-37	1	Knob
12	92-6281	1	Plate-Seat
13	93-7300	1	Decal-Lift Control
14	56-6590	1	Screw
15	3272-6	1	Pin-Cotter
16	283-17	1	Pin-Clevis
17	353-511	1	Fitting
18	353-545	1	Fitting
19	237-78	2	O-Ring
20	82-4700	1	Bracket-Lever, Valve
21	3296-42	19	Nut-Lock
22	353-375	1	Fitting-90°
23	54-0090	1	Valve Assembly
24	237-42	2	O-Ring
25	3256-1	11	Washer-Flat
29	75-6820	1	Meter-Hour

Ref. No.	Part No.	Qty.	Description
30	54-1550	1	Support-Hood
32	92-5435	1	Support-Seat, LH
36	321-4	14	Screw
37	3296-39	1	Nut
38	2412-120	2	R-Clamp
39	3256-51	2	Washer
40	32144-73	4	Screw
41	104-7050	1	Tube-Manual
42	63-7590	1	Relay
43	92-6259	1	Bracket
45	32144-18	2	Screw
47	2412-100	1	Clamp-Wire
48	93-9476	1	Spacer-Latch
49	3256-22	2	Washer-Flat
50	233-67	1	Knob
51	93-9475	1	Bracket-Hydraulic Lock
52	3296-56	1	Nut-Lock
53	3290-199	1	Nut-Speed
54	321-5	1	Screw-HH
55	93-9477	1	Cover-Belt
56	340-77	1	Fitting
57	98-4387	1	Decal
58	82-4700	1	Bracket-Lever
59	104-7048	1	Cap



T-0075

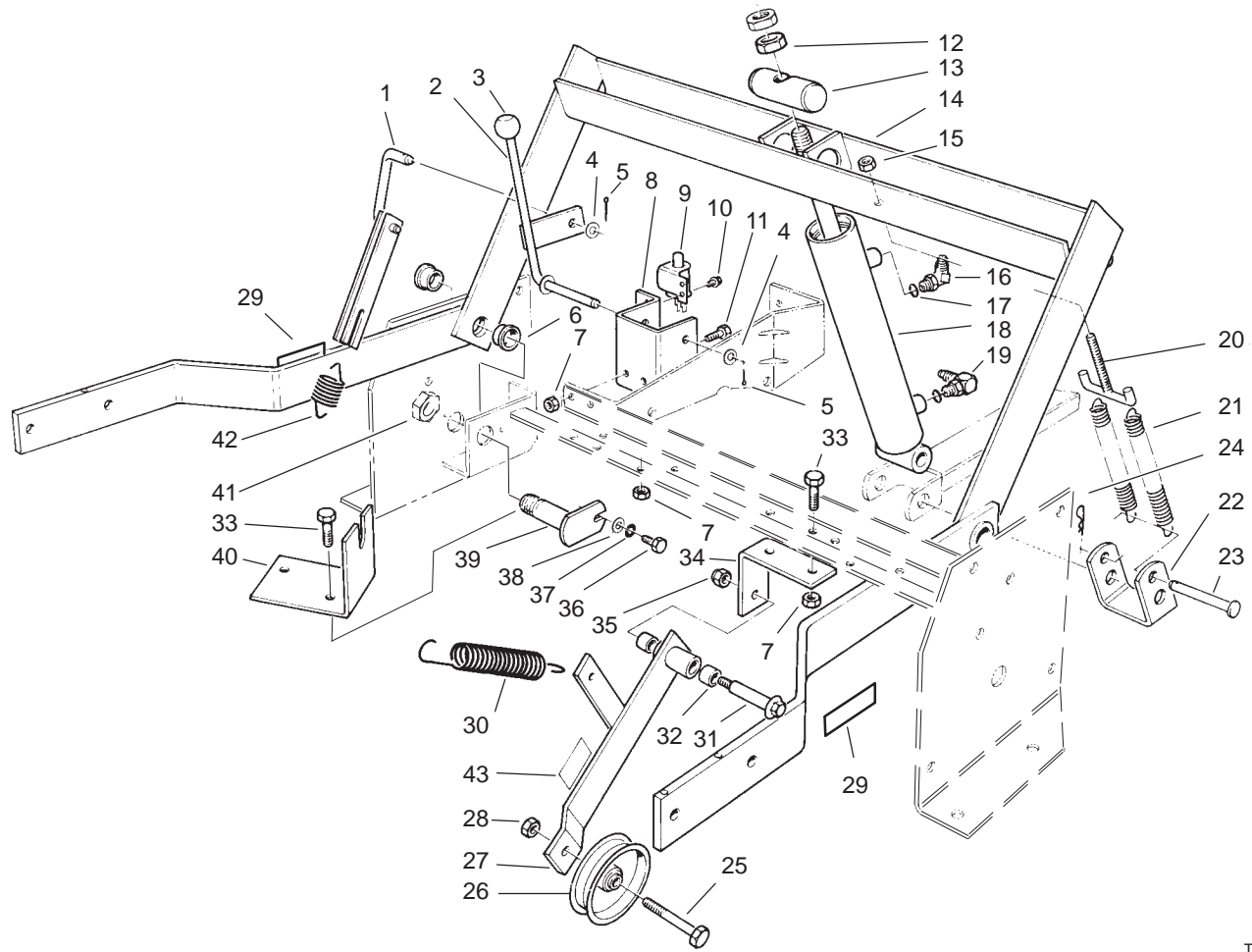
Valve Assembly No. 54-0090

Ref. No.	Part No.	Qty.	Description
1	54-0260	1	Spool
2	22-8500	2	O-Ring
3	22-8380	2	Retainer-Spring
4	22-8410	1	Spring
5	27-5200	1	Spacer
6	22-8480	1	Ring-Retaining
7	22-8490	1	Ring-Retaining
8	55-3640	1	Seat-Relief
☆9		1	Guide
☆10		1	Plunger
☆11		1	Spring
☆12		1	O-Ring
☆13		1	Cap-PV Adjustment
☆14		1	Nut
☆15		1	Screw-Set
☆16		1	Stat O Seal
☆17		1	Nut - Acorn
18	28-1120	1	Plug
19	22-8330	1	Plug
20	237-42	2	"O"Ring
21	22-8340	1	Spring
22	22-8350	1	Ball
23	22-8370	1	Seat - Check Valve
24	22-8360	1	Pin - Cam
☆25		1	Body
26	55-3650	1	Plug

Ref. No.	Part No.	Qty.	Description
*	55-3630	1	Adjustable Relief Valve (Incl. Ref. #9-17)

* Not illustrated

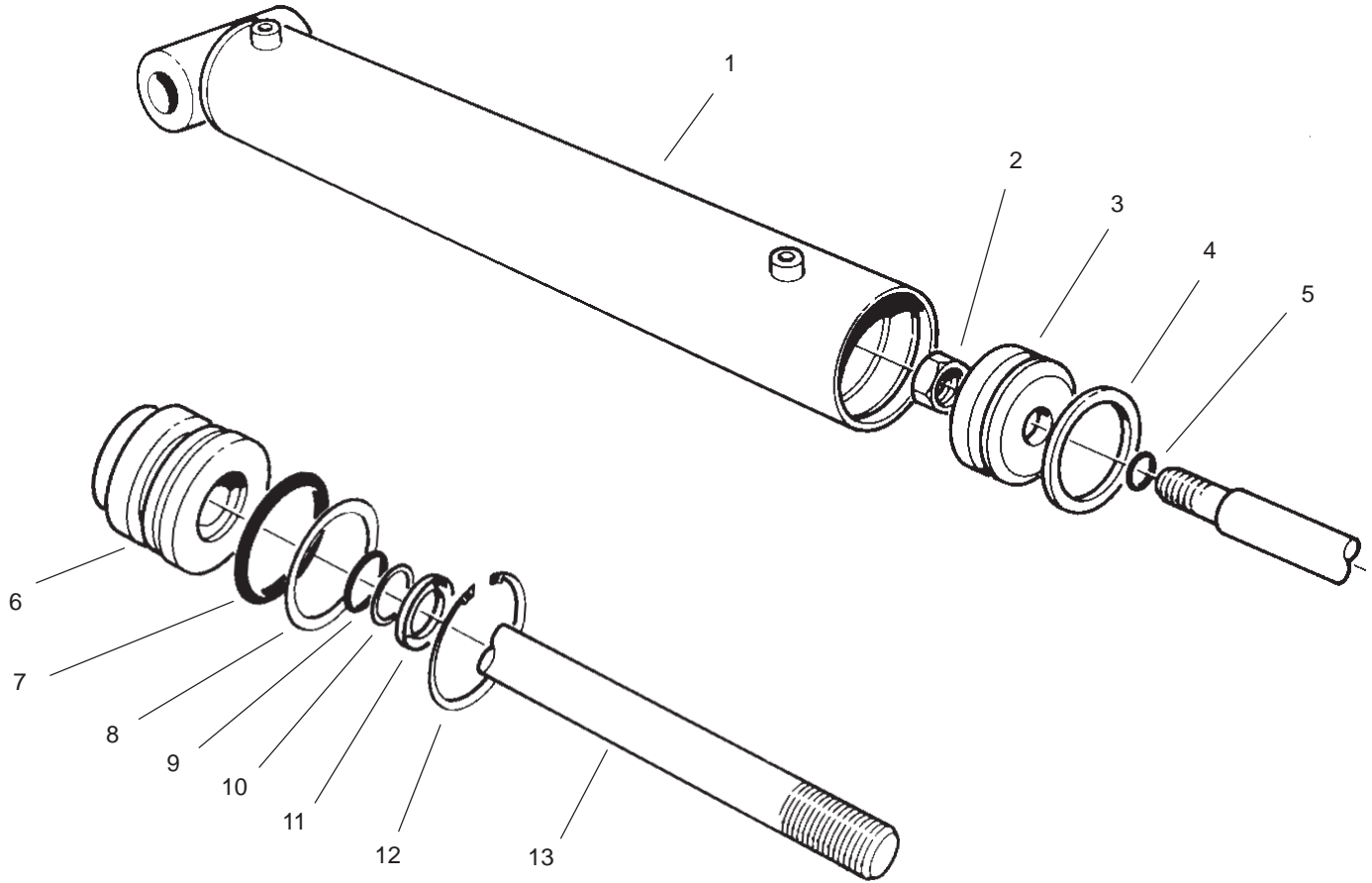
☆ Not serviced separately



T-0076

Parking Brake and Lift Frame Assembly

Ref. No.	Part No.	Qty.	Description	Ref. No.	Part No.	Qty.	Description
1	54-2120	1	Link-Parking Brake	25	323-10	1	Screw
2	54-2110	1	Lever-Brake	26	36-3220	1	Pulley-Idler
3	233-37	1	Knob	27	12-1109	1	Lever-Idler
4	3256-24	2	Washer-Flat				(Incl. Ref. #43)
5	3272-10	2	Pin-Cotter	28	3296-44	1	Nut
6	27-9080	4	Bushing	29	93-7331	2	Decal-Warning
7	3296-29	6	Nut	30	54-1170	1	Spring-Extension
8	54-1270	1	Bracket-Parking Brake	31	27-6230	1	Bolt-Shoulder
9	55-7120	1	Switch-Brake	32	256-154	2	Bushing
10	32144-1	2	Screw-HWHTF	33	322-4	4	Screw
11	322-6	2	Screw	34	55-7310	1	Bracket-Idler
12	3220-6	2	Nut-Jam	35	3296-6	1	Nut
13	54-2000	1	Pin-Pivot	36	321-2	2	Screw
14	66-1570	1	Frame-Lift (Incl. Ref. #6)	37	3253-3	2	Washer
15	32153-3	2	Nut	38	3256-1	2	Washer
16	353-431	1	Fitting-45°	39	54-2100	2	Pin-Pivot
17	237-78	2	O-Ring	40	56-6920	1	Bracket-Cable, Extension
18	54-0150	1	Cylinder-Lift	41	3296-15	2	Nut
19	353-375	1	Fitting-90°	42	54-0960	1	Spring-Parking Brake
20	56-3320	1	T-Hook	43	93-6696	1	Decal
21	56-2760	2	Spring-Extension				
22	56-3370	2	Bracket-Spring				
23	283-55	1	Pin-Clevis				
24	3290-355	1	Pin-Cotter				



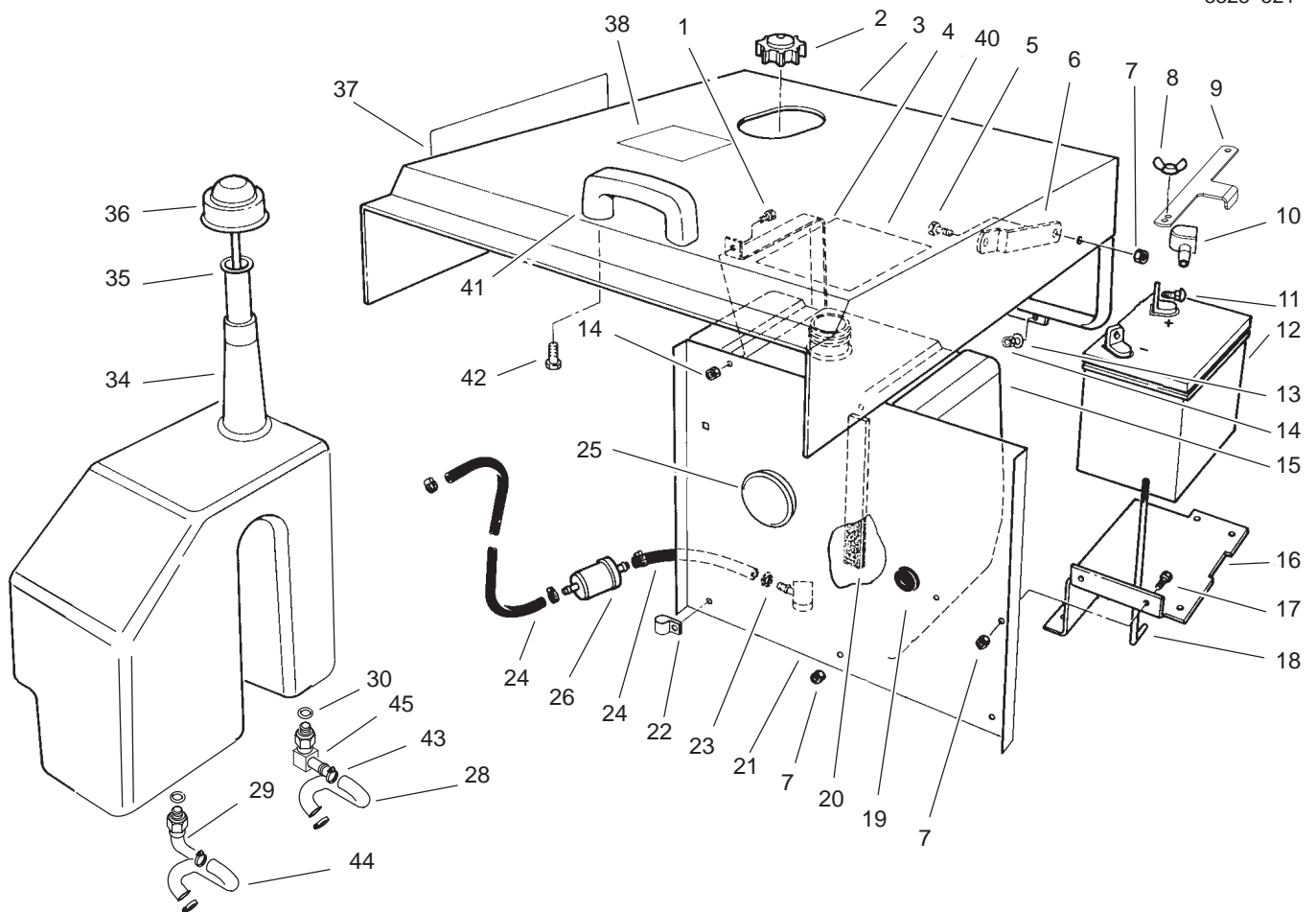
T-0077

Hydraulic Lift Cylinder Assembly 54-0150

Ref. No.	Part No.	Qty.	Description
☆1		1	Barrel
2	32152-10	1	Nut-Lock
3	54-0300	1	Piston
☆4		1	Uniring
☆5		1	O-Ring
6	54-0310	1	Head
☆7		1	O-Ring
☆8		1	Washer-Backup
☆9		1	O-Ring
☆10		1	Washer-Backup
☆11		1	Seal-Dust
12	43-5220	1	Ring-Retaining
13	54-0280	1	Shaft
*	54-0290	1	Seal Repair Kit (Incl. Ref. #4, 5 & 7-11)

Ref. No.	Part No.	Qty.	Description

* Not illustrated
 ☆ Not serviced separately

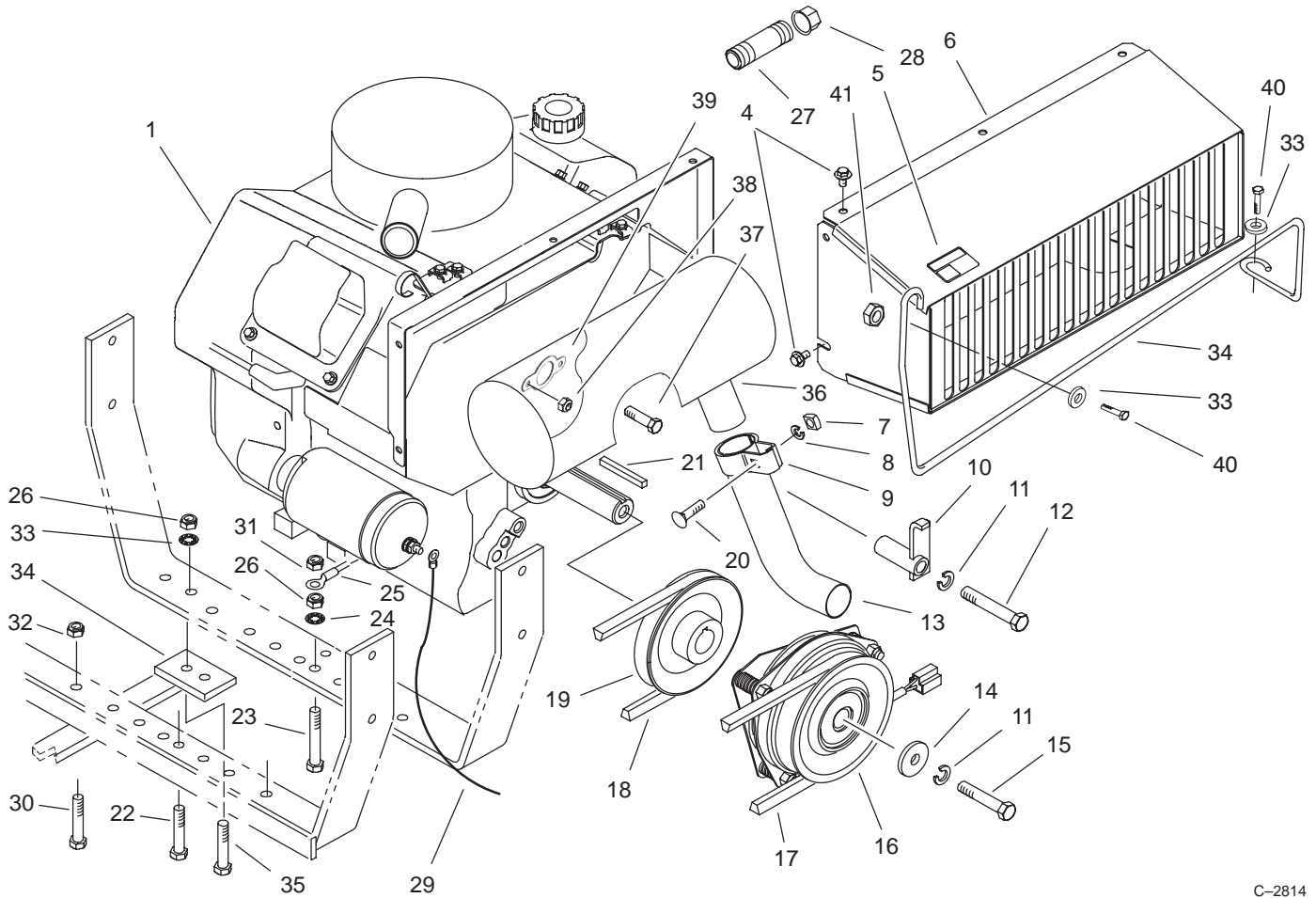


C-1630

Hood, Fuel Tank and Hydraulic Reservoir Assembly

Ref. No.	Part No.	Qty.	Description	Ref. No.	Part No.	Qty.	Description
1	321-3	2	Screw-HH	28	98-2853	1	Hose-Hydraulic
2	55-3570	1	Cap-Fuel	29	94-7691	1	Adapter-Hydraulic (Incl. Ref. #30)
3	14-4109	1	Hood	30	237-80	2	O-Ring
4	54-1880	2	Strap-Tank, Fuel	34	98-0781	1	Reservoir-Hydraulic
5	322-3	2	Screw-HH	35	29-0590	1	Screen
6	54-1860	2	Stop-Hood, Upper	36	36-4950	1	Cap-Oil
7	3296-29	2	Nut-Hex	37	94-5410	2	Decal- Groundsmaster 120
8	32103-22	9	Nut-Wing	38	93-7822	1	Decal-Refueling
9	104-8568-03	1	Clamp-Battery	40	92-6288	1	Decal-Service
10	77-0981	1	Boot-Terminal	41	65-5100	1	Handle
11	3229-1	2	Bolt-Carriage	42	46-8091	2	Screw
12	104-8162	1	Battery	43	2412-129	4	Clamp-Hose
13	3256-1	4	Washer	44	98-2852	1	Hose-Hydraulic
14	3296-42	8	Nut-Lock	45	98-2876	1	Adapter-Hydraulic (Incl. Ref. #30)
15	62-4040	1	Tank-Fuel	*	68-7330	1	Decal-Danger
16	54-1850	1	Support-Battery				
17	322-4	2	Screw-HH				
18	12-5950	2	Rod-Support, Battery				
19	237-100	1	Grommet				
20	54-1890	2	Foam-Tank				
21	92-6267	1	Shield-Heat				
22	2412-100	3	R-Clamp				
23	2412-108	4	Clamp-Hose				
24	92-6283	2	Hose-Fuel				
25	92-6274	1	Plug-Cap				
26	94-9695	1	Filter-Fuel				

* Not illustrated

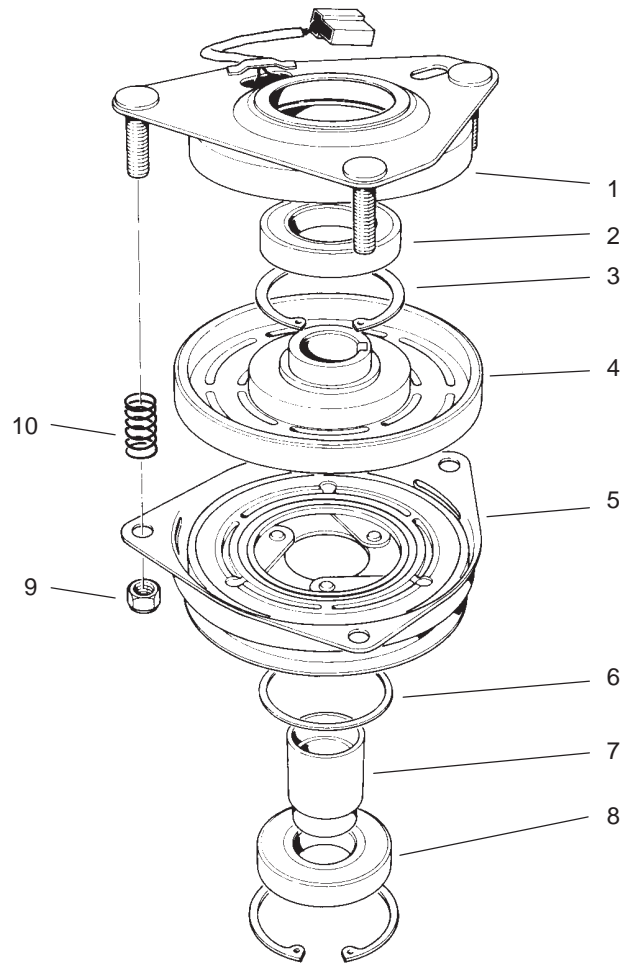


C-2814

Engine Assembly

Ref. No.	Part No.	Qty.	Description
1	105-3101	1	Engine-Kohler CH20QS-64556
4	48-7610	5	Screw
5	93-8069	1	Decal-Surface, Hot
6	92-6260	1	Duct-Engine
7	3217-6	1	Nut-Square
8	3253-4	1	Washer-Lock
9	55-8660	1	Clamp Assembly (Incl. Ref. #7, 8 & 20)
10	54-2160	1	Bracket-Anchor
11	3253-6	2	Washer-Lock
12	324-11	1	Screw-HH
13	54-2290	1	Pipe-Exhaust
14	44-8160	1	Washer-Flat
15	3212-24	1	Screw-HH
16	54-0220	1	Assembly-Clutch
17	54-1380	1	V-Belt
18	54-1390	1	V-Belt
19	54-2330	1	Pulley-Engine
20	3230-3	1	Bolt-Carriage
21	5-0930	1	Key
22	323-10	1	Screw-HH
23	323-12	1	Screw-HH
24	3254-6	1	Washer-Lock, Int
25	92-6287	1	Wire-Ground
26	3296-39	2	Nut-Lock

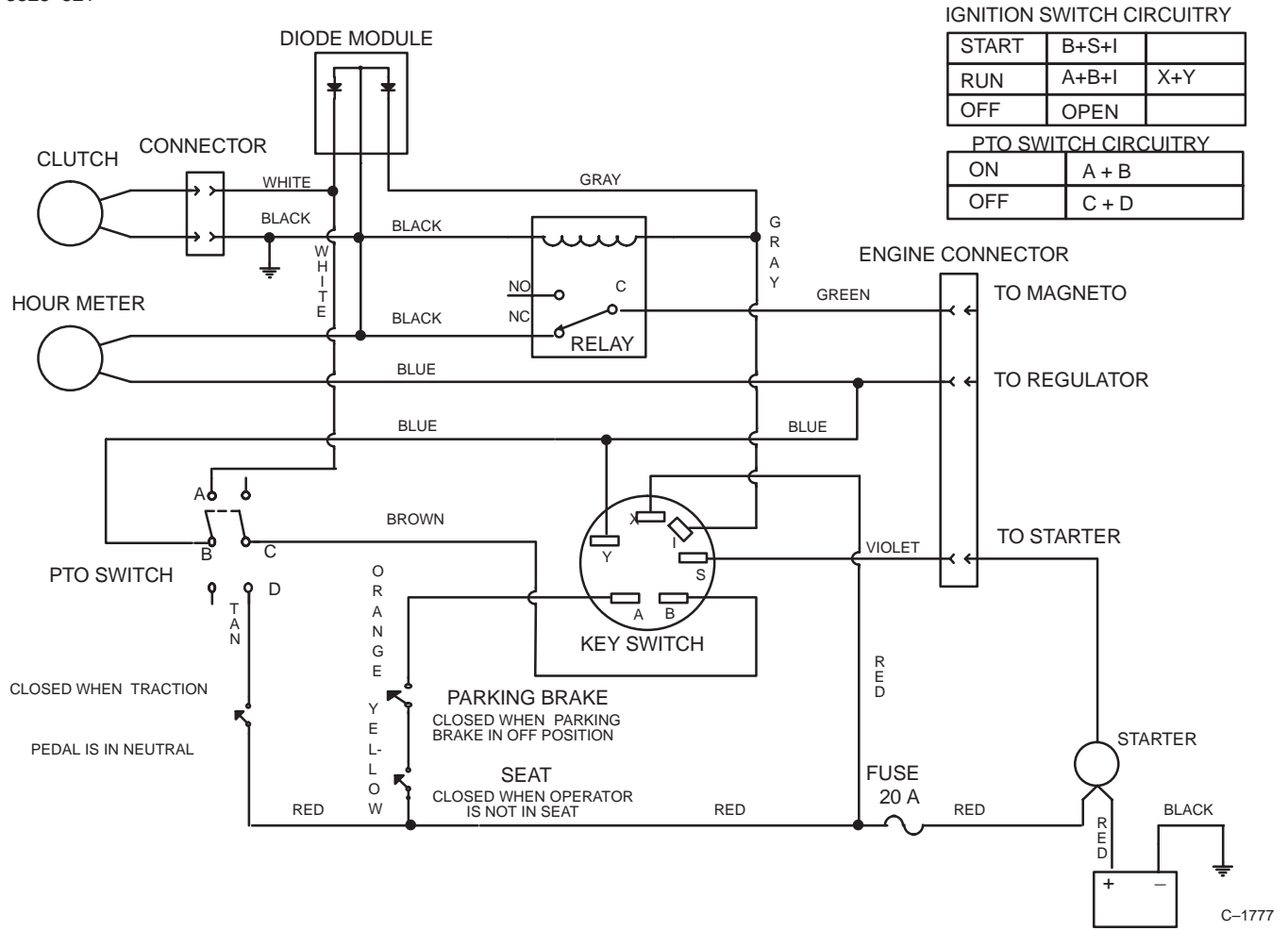
Ref. No.	Part No.	Qty.	Description
27	289-46	1	Nipple-Pipe
28	288-10	1	Cap-Pipe
29	28-3894	1	Wire-Positive
30	323-9	2	Screw
31	3290-357	1	Nut-Wizz
32	32128-21	2	Nut-Lock
33	3256-23	3	Washer-Flat
34	98-8000	1	Guard-Tank
35	323-7	1	Screw-HH
36	105-3102	1	Muffler
37	33104-020	1	Screw
38	96-6780	4	Nut-Lock
39	93-0350	2	Gasket
40	322-5	2	Screw-HH
41	3296-29	2	Nut-Lock, Ni



T-0080

Clutch Assembly No. 54-0220

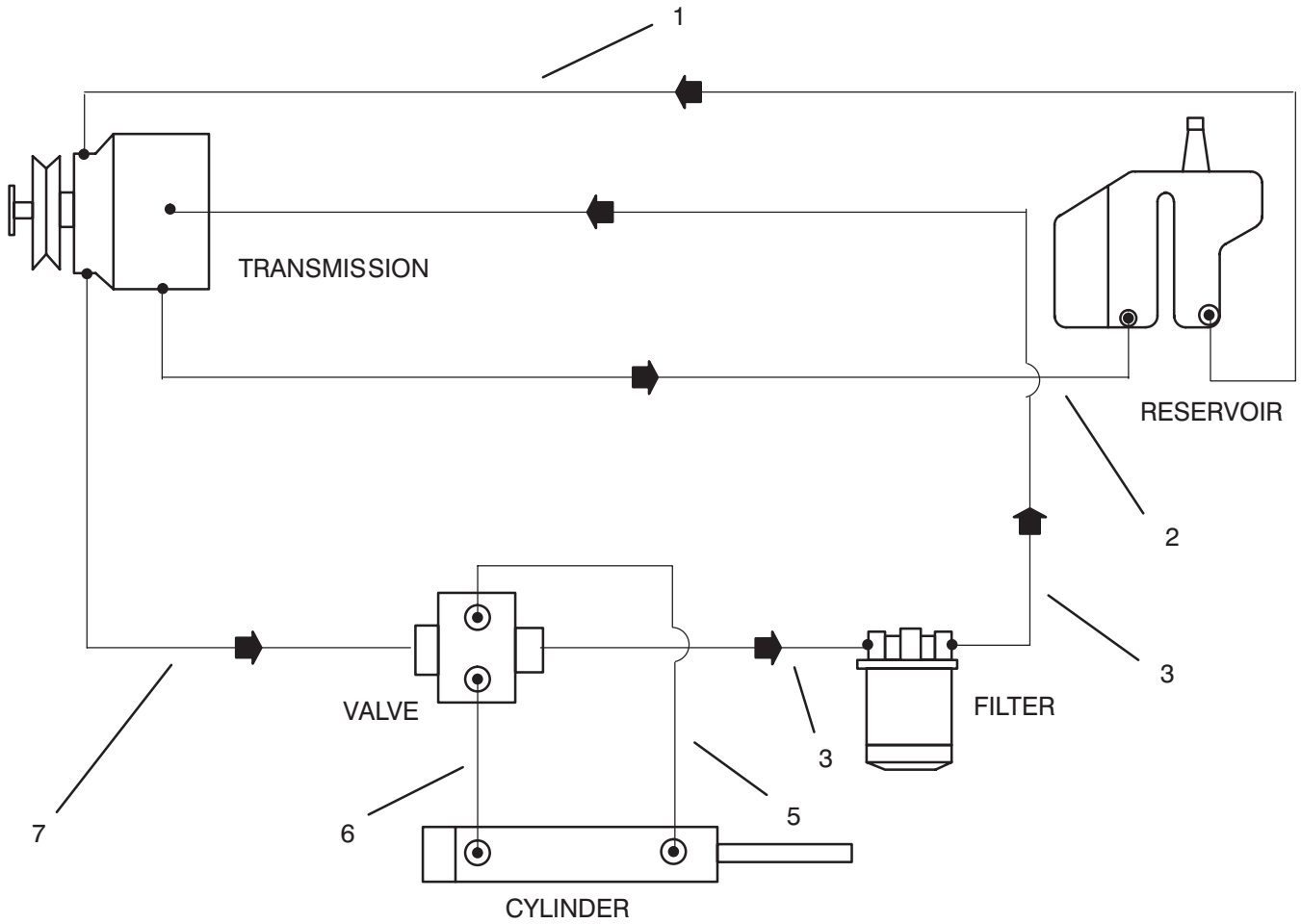
Ref. No.	Part No.	Qty.	Description	Ref. No.	Part No.	Qty.	Description
1	54-0230	1	Field Assembly (Incl. Ref. #2 & 3)				
2	251-292	1	Bearing-Field				
3	44-8310	2	Ring-Retaining				
4	44-8360	1	Field Coil-Rotor & Bearing (Incl. Ref. #1)				
5	44-8370	1	Armature & Pulley Assembly (Incl. Ref. #3, 6, 7 & 8)				
6	44-8330	1	Spacer-Bearing				
7	44-8340	1	Collar-Bearing				
8	251-291	1	Bearing-Pulley				
9	3296-6	3	Nut-Lock				
10	44-8320	3	Spring				



Electrical Schematic

Ref. No.	Part No.	Qty.	Description
*	94-5848	1	Harness-Wire
*	94-5849	1	Diode

Ref. No.	Part No.	Qty.	Description

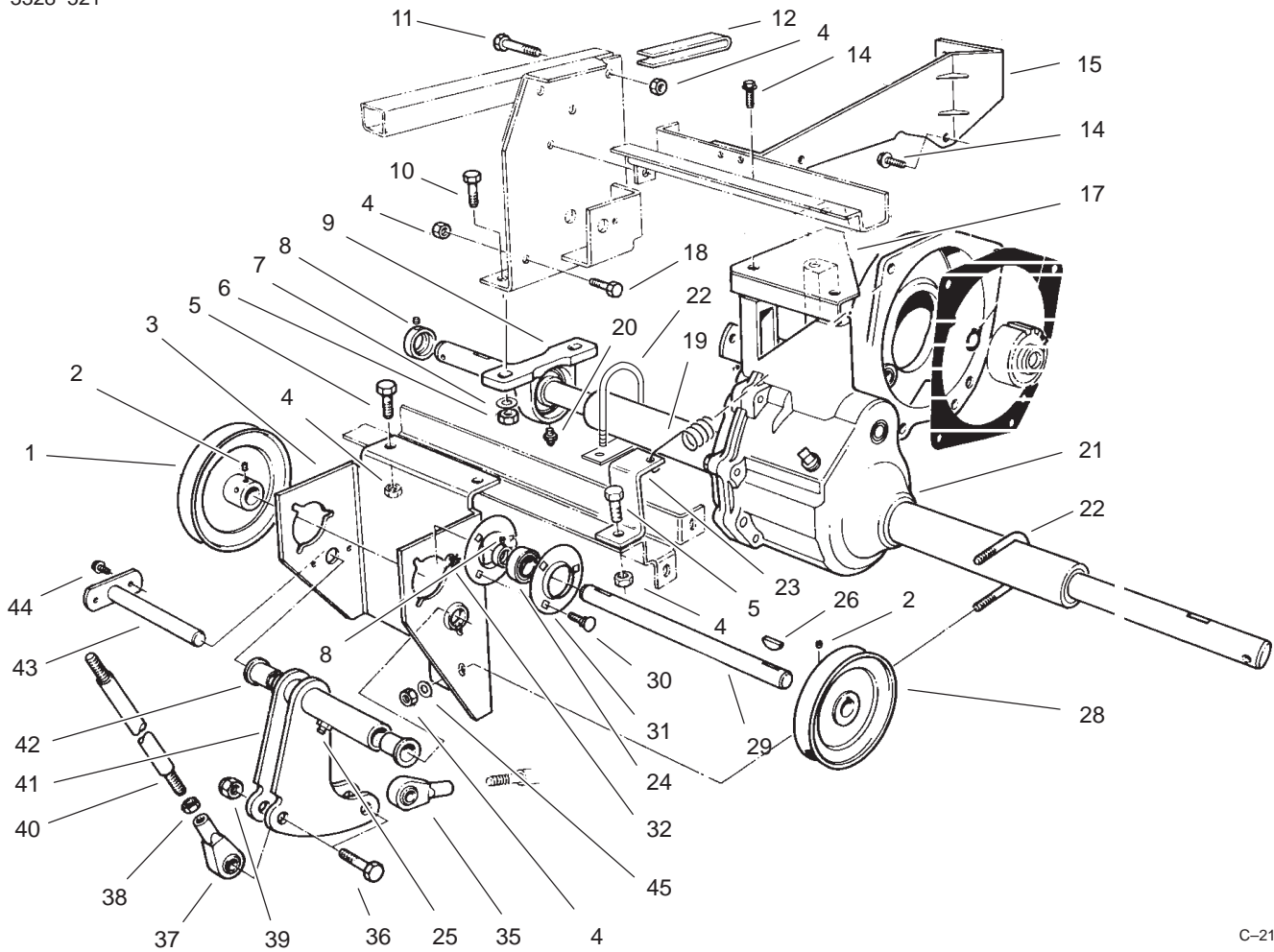


T-0084

Hydraulic Schematic

Ref. No.	Part No.	Qty.	Description
1	98-2852	1	Hydraulic Hose ASM (Reservoir to Transmission)
2	98-2853	1	Hydraulic Hose ASM
3	98-2851	2	Hydraulic Hose ASM (Filter to Transmission)
5	54-2610	1	Hydraulic Hose ASM (Cylinder to Valve)
6	54-2620	1	Hydraulic Hose ASM (Cylinder to Valve)
7	54-2590	1	Hydraulic Hose ASM (Transmission to Valve)

Ref. No.	Part No.	Qty.	Description

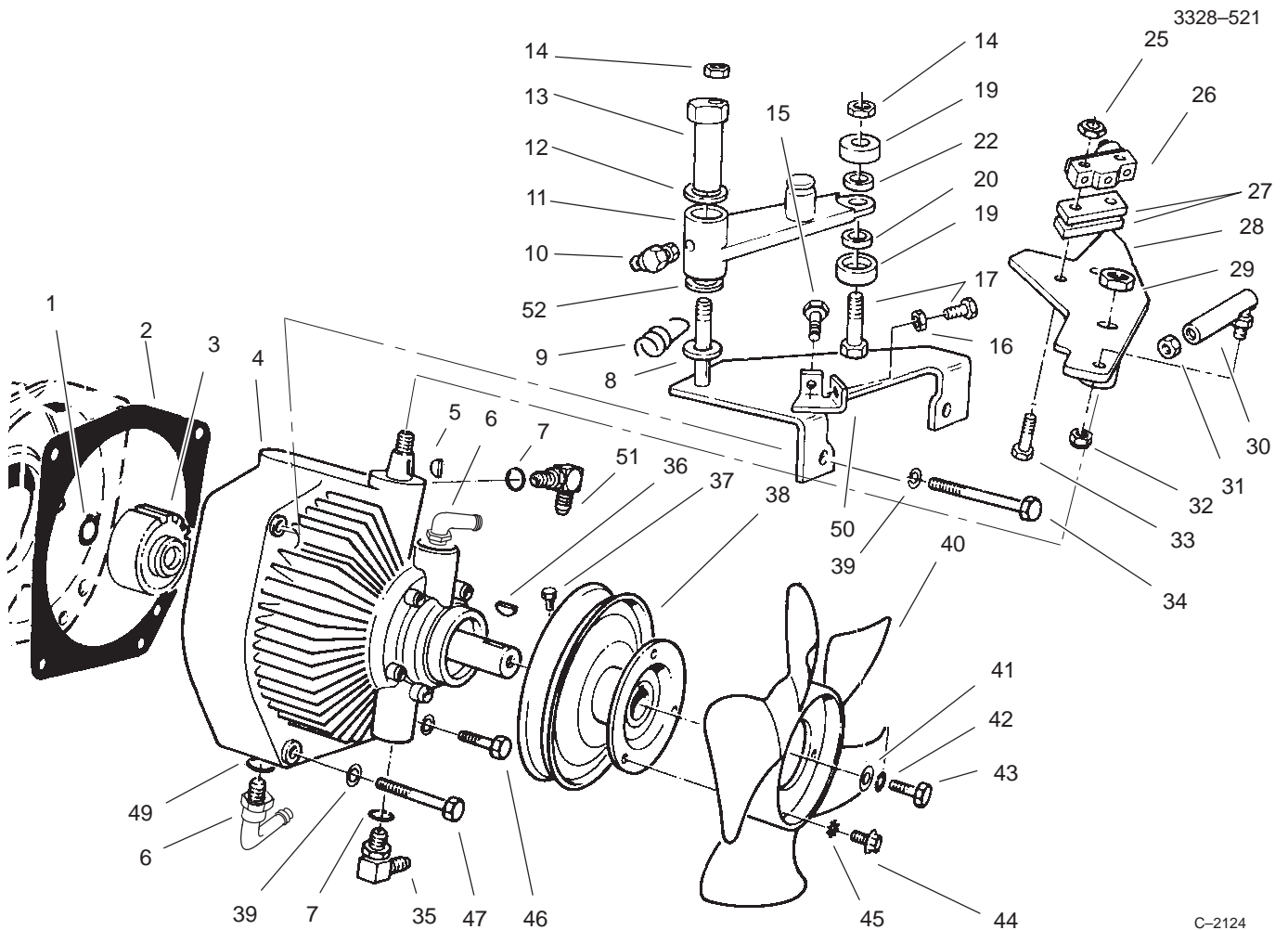


C-2123

Differential Assembly

Ref. No.	Part No.	Qty.	Description
1	54-2390	1	Pulley-Output
2	3241-1	4	Screw-Set
3	60-9130	1	Bracket-Jackshaft
4	3296-29	A/R	Nut-Lock
5	322-4	6	Screw-HH
6	3296-44	4	Nut-Lock
7	3256-3	4	Washer-Flat
8	3245-35	4	Screw-Set
9	72-4060	2	Bearing Assembly
10	323-8	5	Screw-HH
11	322-10	4	Screw-HH
12	80-3750	2	Spacer
14	3234-1	5	Screw-HHF
15	59-1620	1	Bracket-Transaxle
17	60-8990	1	Plate-Transaxle
18	322-4	6	Screw-HH
19	76-9430	1	Spring-Extension
20	302-2	2	Fitting-Grease
21	98-2850	1	Differential Asm
22	54-8970	2	U-Bolt
23	92-6273	1	Bracket-Spring
24	251-288	2	Bearing w/Collar
25	302-49	1	Fitting-Grease
26	3257-5	3	Key-Woodruff
28	54-2380	1	Pulley-Input
29	54-1600	1	Jackshaft

Ref. No.	Part No.	Qty.	Description
30	3230-1	6	Bolt-Carriage
31	251-341	4	Flange-Bearing
32	32149-1	6	Nut-Lock
35	251-304	1	End-Rod
36	324-7	2	Screw-HH
37	251-305	1	End-Rod
38	3220-4	2	Nut-HJ
39	3296-48	2	Nut-Lock
40	54-1490	1	Rod-Steering
41	54-2060	1	Bellcrank Assembly (Incl. Ref. 42)
42	46-6680	2	Bushing-Flanged
43	59-1470	1	Shaft-Bellcrank
44	46-8560	2	Screw-HWHTF
45	3256-23	2	Washer-Flat

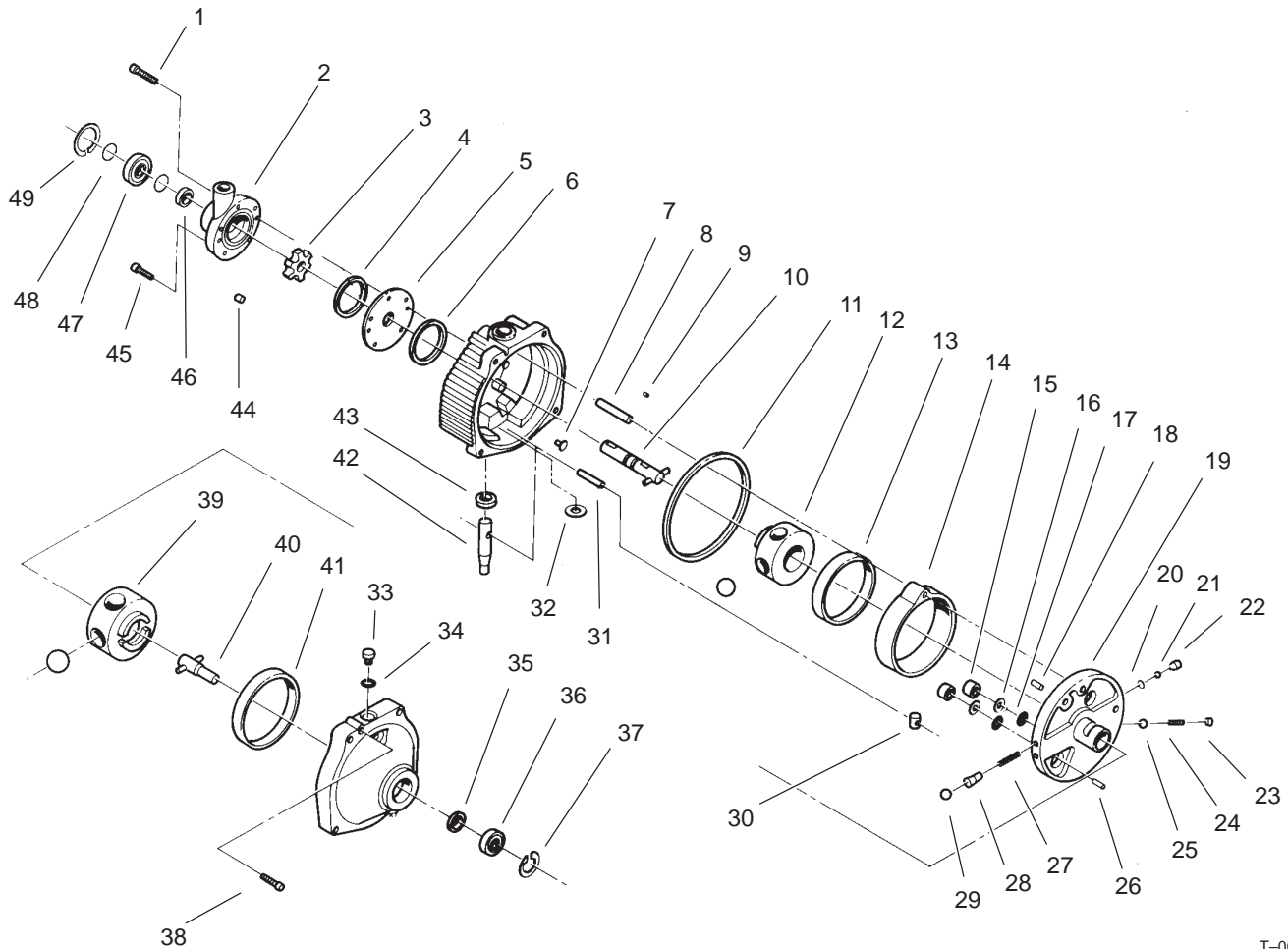


C-2124

Transmission Assembly

Ref. No.	Part No.	Qty.	Description
1	32120-64	1	Ring-Snap
2	55-4320		Gasket
3	54-0320	1	Gear
4	98-0777	1	Transmission-Hydrostatic
5	3257-24	1	Key-Woodruff
6	94-7691	2	Adapter
7	237-42	2	O-Ring
8	3256-68	1	Washer
9	76-9430	1	Spring-Extension
10	302-60		Fitting-Grease 90°
11	92-6289	1	Swing Arm Assembly (Incl. Ref. #10 & 52)
12	3-6498	1	Washer
13	76-8640	1	Stud-Traction
14	3296-29	A/R	Nut-Lock
15	322-6	2	Screw-HH
16	3217-6	4	Nut
17	322-7	1	Screw-HH
19	251-307	2	Bearing
20	92-6290	1	Spacer
22	75-5470	1	Spacer-Bearing
25	3296-9	2	Nut
26	29-6163	1	Switch
27	75-4130	2	Spacer
28	92-6269	2	Lever-Traction

Ref. No.	Part No.	Qty.	Description
29	3296-25	1	Nut
30	2411-34	1	Joint-Ball
31	3220-1	1	Nut-HJ
32	3296-3	1	Nut-Lock
33	3250-46	2	Screw
34	323-14	2	Screw-HH
35	353-511	1	Fitting-Hydraulic, 90° (Incl. Ref. #7)
36	3257-5	3	Key-Woodruff
37	3241-2	2	Screw-Set
38	54-0930	1	Pulley-Transmission
39	3253-5	4	Washer-Lock
40	54-0240	1	Fan
41	3256-55	1	Washer
42	3253-3	1	Washer-Lock
43	321-2	1	Screw-HH
44	32144-19	3	Screw
45	3255-5	3	Washer-Lock
46	323-13	1	Screw-HH
47	323-16	1	Screw-HH
49	237-80	2	O-Ring
50	92-6270	1	Plate-Traction
51	340-98	2	Fitting-Hydro
52	256-113	2	Bushing-Flange



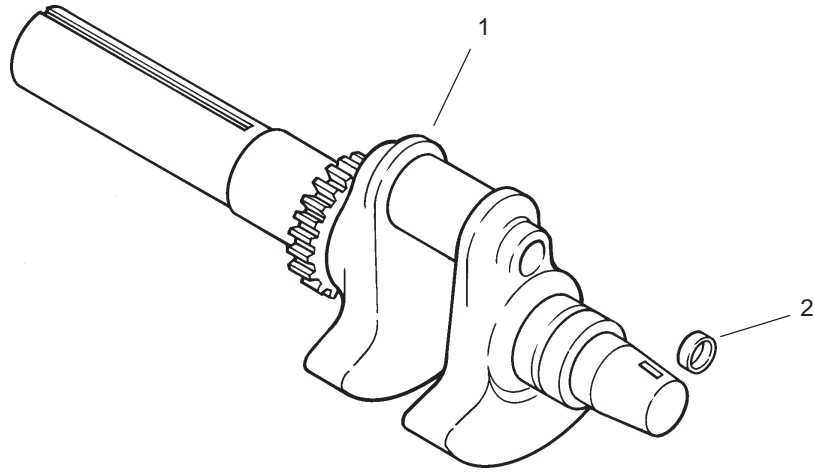
T-0083

Hydrostatic Transmission Assembly

Ref. No.	Part No.	Qty.	Description
1	56-2800	1	Screw-HSH
2	56-2830	1	Charge Pump Assembly (Incl. Ref. #1)
3	56-3120	1	Carrier
4	56-2850	1	Ring-Seal
5	56-2860	1	Plate-Pump
6	56-2870	1	Ring-Seal
7	56-2880	2	Button
8	56-2890	1	Pin-Dowel
9	56-2900	1	Pin-Drive
10	56-2910	1	Input Shaft Assembly
11	56-2920	1	Ring-Seal
12	56-2930	1	Pump Rotor & Ball Assembly
★13		1	Race-Pump
14	56-2940	1	Cam Ring Assembly (Incl. Ref. #13)
15	56-2950	2	Piston
16	56-2960	2	Ring-Backup
17	56-2970	2	O-Ring
18	56-2980	1	Pin-Coil
19	56-2990	1	Pintle Assembly (Incl. Ref. #15-18, 20 22-29)
20	56-3000	2	Ring-Retaining

Ref. No.	Part No.	Qty.	Description
21	56-3010	2	Ball
22	56-3020	2	Body-Valve, Check
23	56-3050	1	Plug-Valve, Relief
24	56-3040	1	Spring-Valve, Relief
25	56-3030	1	Ball
26	56-3060	1	Pin-Dowel
27	56-3180	2	Spring-Valve
28	56-3200	2	Body-Valve
29	56-3210	2	Ball
30	56-3170	1	Insert-Ring, Cam
★31		1	Dowel
★32		1	Washer-Shaft, Control
33	56-3250	1	Plug Assembly (Incl. Ref. #34)
34	56-3260	1	O-Ring
35	56-3270	1	Seal-Oil
36	56-3280	1	Bearing-Output
37	56-3290	1	Ring-Retaining
38	56-3300	2	Screw-HSH
39	56-3220	1	Motor Rotor & Ball Assembly
40	56-3230	1	Output Shaft Assembly
41	56-3240	1	Race - Motor
42	56-3140	1	Control Shaft Kit (Incl. Ref. #31 & 32)

★ Not serviced separately

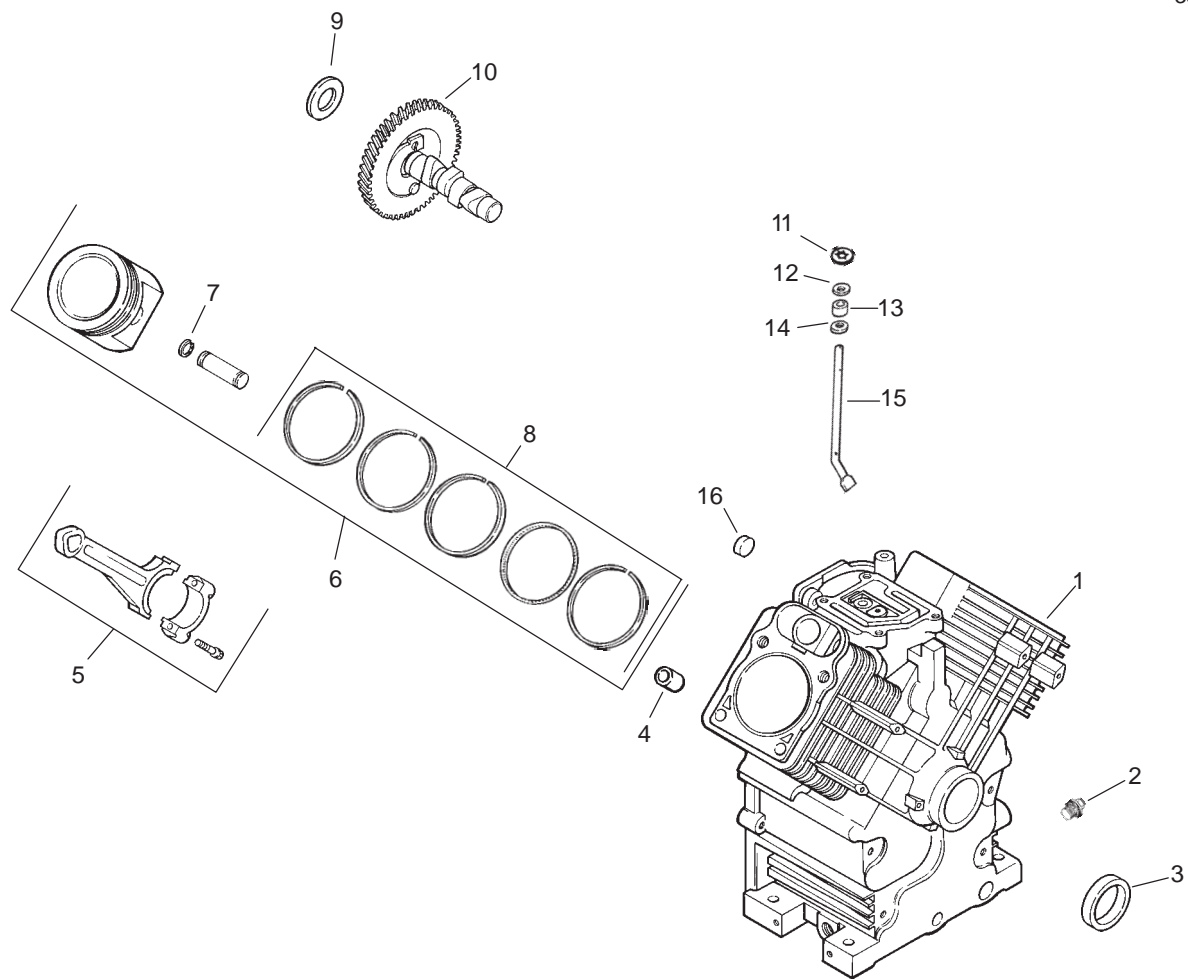


Crankshaft Assembly (Kohler CH20QS-PS64677)

Ref. No.	Part No.	Qty.	Description
1.	24 014 32-S	1	Crankshaft (Includes 2)
2.	52 139 09-S	1	Plug, cup

Ref. No.	Part No.	Qty.	Description

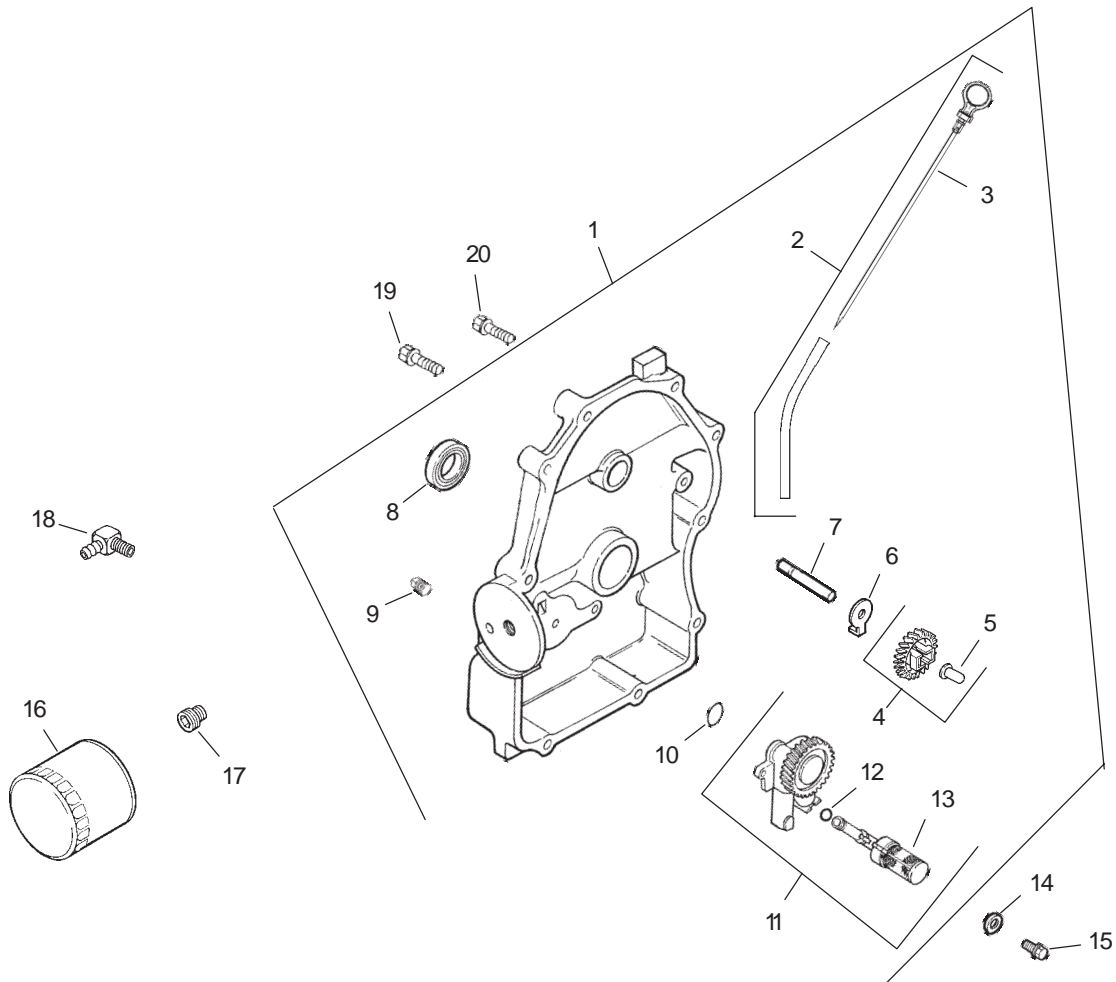
Obtain Parts from Kohler



Crankcase Assembly (Kohler CH20QS-PS64677)

Ref. No.	Part No.	Qty.	Description	Ref. No.	Part No.	Qty.	Description
1.	N/A	1	Crankcase (USE: Miniblock 24 782 15)	10.	24 012 10-S	1	Camshaft
2.	25 139 57-S	2	Plug, square hd. 3/8" N.P.T.F	11.	24 018 09-S	1	Retainer, ring
3.	24 032 01-S	1	Seal, oil front	12.	M-931010-S	1	Washer, nylon (top)
4.	24 380 13-S	6	Pin, locating	13.	28 032 09-S	1	Seal, governor cross shaft
5.	24 067 13-S	2	Connecting Rod (Std.)	14.	24 468 15-S	1	Washer (bottom)
	24 067 14-S	2	Connecting Rod (.25)	15.	24 144 33-S	1	Shaft, governor cross
6.	24 874 17-S	2	Piston w/Ring Set (Std.) (Includes 7, 8)	16.	52 139 09-S	1	Plug, cup
	24 874 14-S	2	Piston w/Ring Set (.08)				
	24 874 18-S	2	Piston w/Ring Set (.25)				
	24 874 19-S	2	Piston w/Ring Set (.50)				
7.	24 018 01-S	4	Retainer, piston pin				
8.	24 108 11-S	2	Ring Set (Std. @ .08)				
	24 108 12-S	2	Ring Set (.25)				
	24 108 13-S	2	Ring Set (.50)				
9.	12 422 09-S	A/R	Shim, camshaft-red				
	12 422 13-S	A/R	Shim, camshaft-black				
	12 422 07-S	A/R	Shim, camshaft-white				
	12 422 08-S	A/R	Shim, camshaft-blue				
	12 422 10-S	1	Shim, camshaft-yellow				
	12 422 11-S	A/R	Shim, camshaft-green				
	12 422 12-S	A/R	Shim, camshaft-gray				

Obtain Parts from Kohler

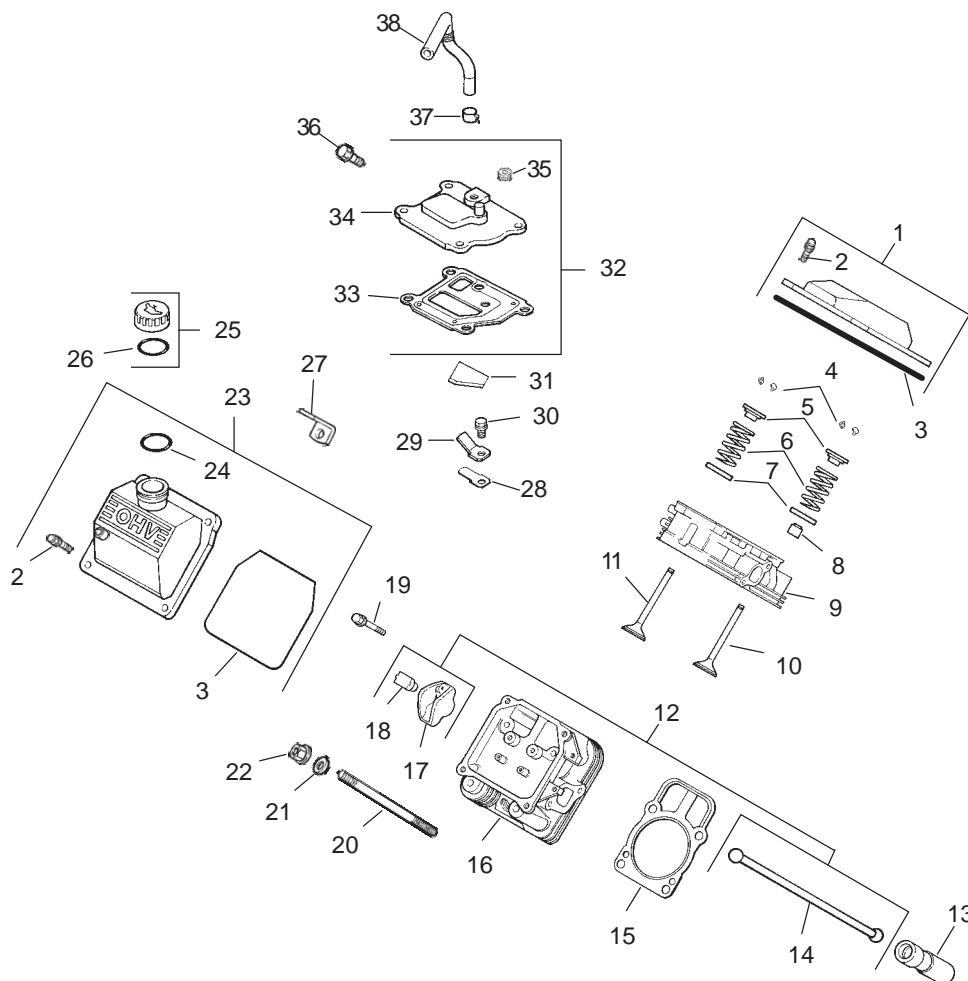


Oil Pan / Lubrication Assembly (Kohler CH20QS-PS64677)

Ref. No.	Part No.	Qty.	Description
1.	24 009 83-S	1	Kit, closure plate (Includes 2-12,19,20)
2.	24 755 121-S	1	Kit, dipstick & tube (Includes 3)
3.	24 038 10-S	1	Dipstick
4.	24 043 12-S	1	Kit, governor gear w/pin (Includes 5)
5.	12 380 01-S	1	Pin, governor regulating
6.	52 448 02-S	1	Tab, locking
7.	12 144 02-S	1	Shaft, governor gear
8.	52 032 08-S	1	Seal, oil (PTO end)
9.	5 139 60-S	1	Plug, allen hd. 1/8 pipe
10.	24 153 08-S	1	O-Ring
11.	24 393 10-S	1	Oil pump assembly (Includes 11,12)
12.	24 153 01-S	1	O-Ring, oil pick-up
13.	24 381 04-S	1	Pick-up, oil
14.	M-631005-S	2	Washer, plain 6 mm
15.	M-645025-S	2	Screw, hex. flange M6x1.0x25
16.	52 050 02-S	1	Filter, oil
17.	24 136 01-S	1	Nipple, oil filter
18.	25 155 02-S	1	Connector, hose 45

Ref. No.	Part No.	Qty.	Description
19.	24 086 16-S	9	Screw, hex. flange M8x1.25x45
20.	24 086 17-S	1	Screw, hex. flange M8x1.25x45

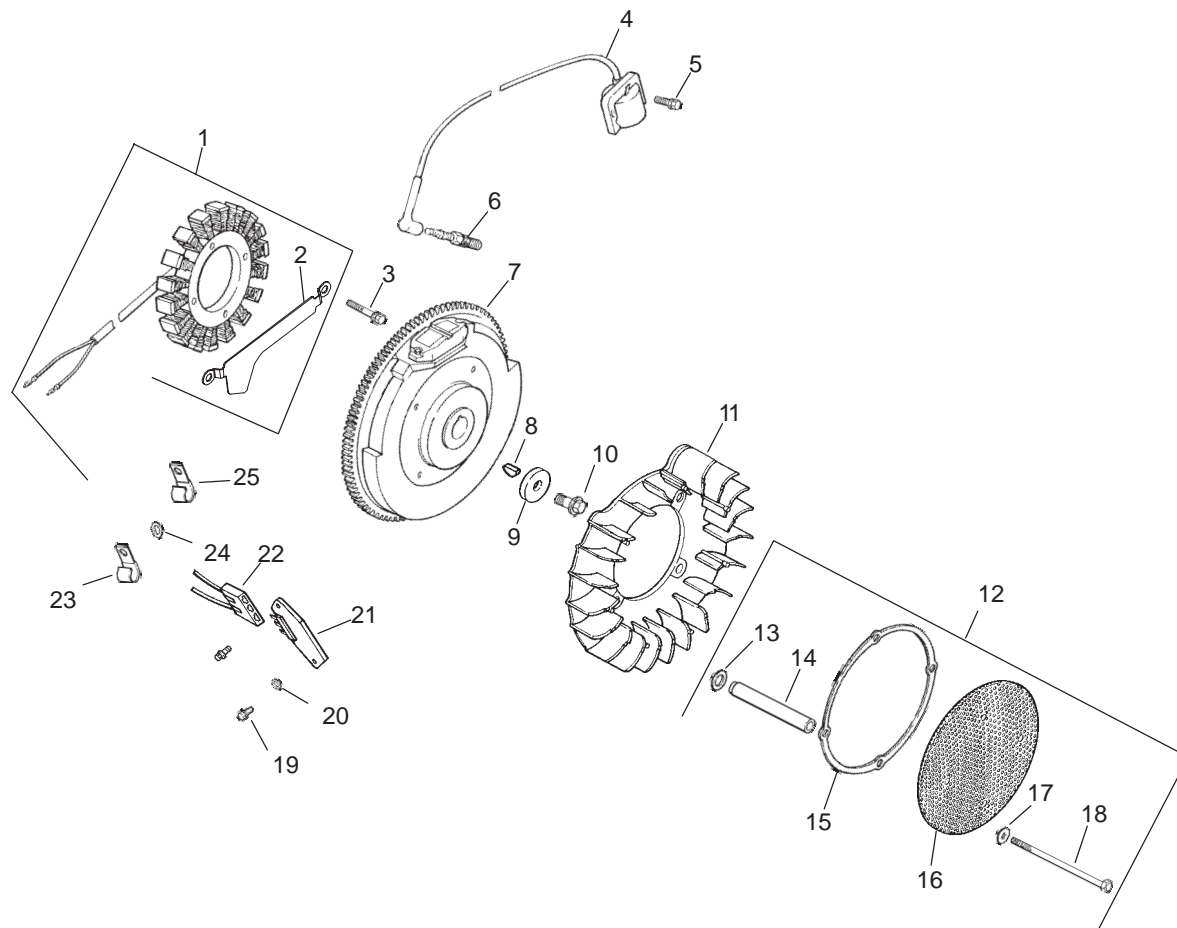
Obtain Parts from Kohler



Head / Valve / Breather Assembly (Kohler CH20QS-PS64677)

Ref. No.	Part No.	Qty.	Description	Ref. No.	Part No.	Qty.	Description
1.	24 755 74-S	1	Kit, valve cover – plain (Includes 2,3)	19.	M-640034-S	4	Screw, hex. flange M6x1.0x34
2.	24 086 32-S	4	Screw, shoulder	20.	24 072 09-S	8	Stud, cylinder head M8x1.25x20 and M10x1.5x33, 105mm lg
3.	24 153 16-S	1	O-Ring, valve cover	21.	24 468 16-S	8	Washer, flat 8 mm
4.	12 755 03-S	4	Kit, retainer	22.	24 100 10-S	8	Nut, hex. flange M8x1.25
5.	12 173 01-S	4	Cap, valve spring	23.	24 755 75-S	1	Kit, valve cover – oil fill (Includes 2,3,24)
6.	24 089 02-S	4	Spring, valve	24.	24 153 09-S	1	O-Ring
7.	235011-S	4	Retainer, spring	25.	25 755 13-S	1	Kit, oil fill cap (Includes 26)
8.	66 032 05-S	2	Seal, valve stem	26.	12 153 03-S	1	O-Ring, oil fill cap
9.	24 318 68-S	1	Head assembly, #1 cylinder	27.	24 445 01-S	1	Strap, lifting
10.	24 017 01-S	2	Valve, intake (Std.)	28.	24 402 03-S	1	Reed, breather
	24 017 02-S	2	Valve, intake (.25)	29.	12 018 01-S	1	Retainer, breather reed
11.	24 016 01-S	2	Valve, exhaust (Std.)	30.	M-545010-S	1	Screw, hex. flange M5x0.8x10
	24 016 02-S	2	Valve, exhaust (.25)	31.	24 050 01-S	1	Filter, breather
12.	24 755 66-S	1	Kit, valve train (Includes 14,17,18)	32.	24 033 01-S	1	Kit, breather (Includes 33,34)
13.	25 351 01-S	4	Lifter, valve	33.	24 041 23-S	1	Gasket, breather
14.	24 411 05-S	4	Rod, push	34.	24 096 58-S	1	Cover, breather
15.	24 041 08-S	2	Gasket, cylinder head				
16.	24 318 71-S	1	Head assembly, #2 cylinder				
17.	25 186 01-S	4	Arm, rocker				
18.	24 599 01-S	4	Pivot, rocker arm				

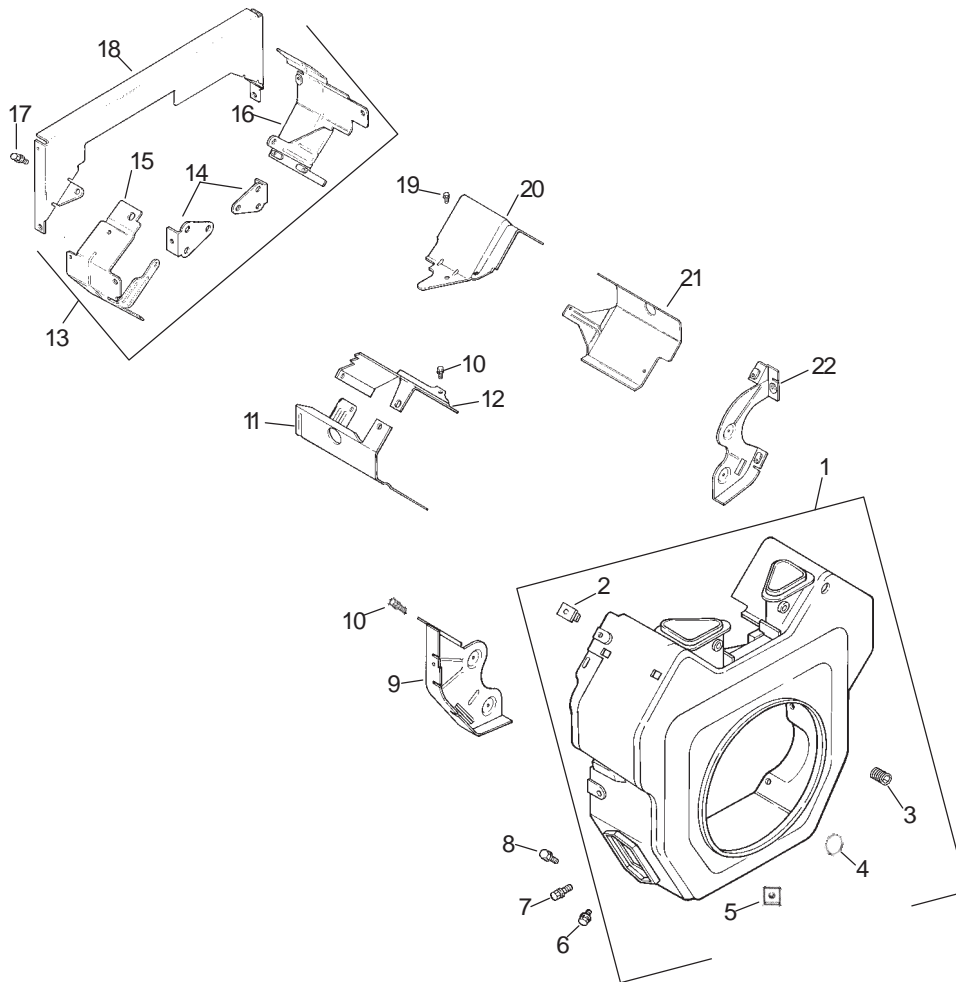
Obtain Parts from Kohler



Ignition Electrical Assembly (Kohler CH20QS-PS64677)

Ref. No.	Part No.	Qty.	Description	Ref. No.	Part No.	Qty.	Description
1.	54 755 09-S	1	Kit, 15 amp stator (Includes 2)	18.	M-603100-S	4	Screw, hex. hd. M6x1.0x100
2.	24 126 71-S	1	Bracket, stator wire	19.	24 086 18-S	2	Screw, phillips hd. 11-16x7/8"
3.	M-548025-S	2	Screw, hex. cap M5x0.8x25	20.	X-25-92-S	2	Washer, plain 3/16"
4.	24 584 01-S	2	Module, ignition	21.	25 403 03-S	1	Rectifier-regulator 15 amp
5.	M-545020-S	4	Screw, hex. flange M5x0.8x20	22.	236602-S	1	Connector □ 3 contact
6.	12 132 06-S	2	Spark Plug	23.	235173-S	1	Clip, cable
7.	24 025 04-S	1	Flywheel	24.	X-25-63-S	1	Washer, plain 1/4"
8.	X-42-15-S	1	Key	25.	48 154 02-S	1	Clip, cable
9.	12 468 03-S	1	Washer, plain 3/8"				NOT ILLUSTRATED
10.	12 086 14-S	1	Screw, hex. flange M10x1.5x46	24 518 12-S	1	Lead, black, (5" - 12 gauge - insulated grip barrel eyelet terminals)	
11.	24 157 03-S	1	Fan	24 176 40-S	1	Harness, wiring	
12.	24 755 79-S	1	Kit, chopper screen (Includes 13-18 & 41 037 10-S)	25 454 03-S	2	Tie, cable	
13.	24 468 11-S	4	Washer, spring 10 mm	25 086 43-S	1	Screw, set	
14.	24 112 14-S	4	Spacer	X-22-11-S	1	Washer, lock (used to ground rectifier- regulator)	
15.	24 141 06-S	1	Ring, support	41 037 10-S	1	Nameplate, service	
16.	24 162 25-S	1	Screen, grass				
17.	X-25-53-S	4	Washer, plain 1/4"				

Obtain Parts from Kohler

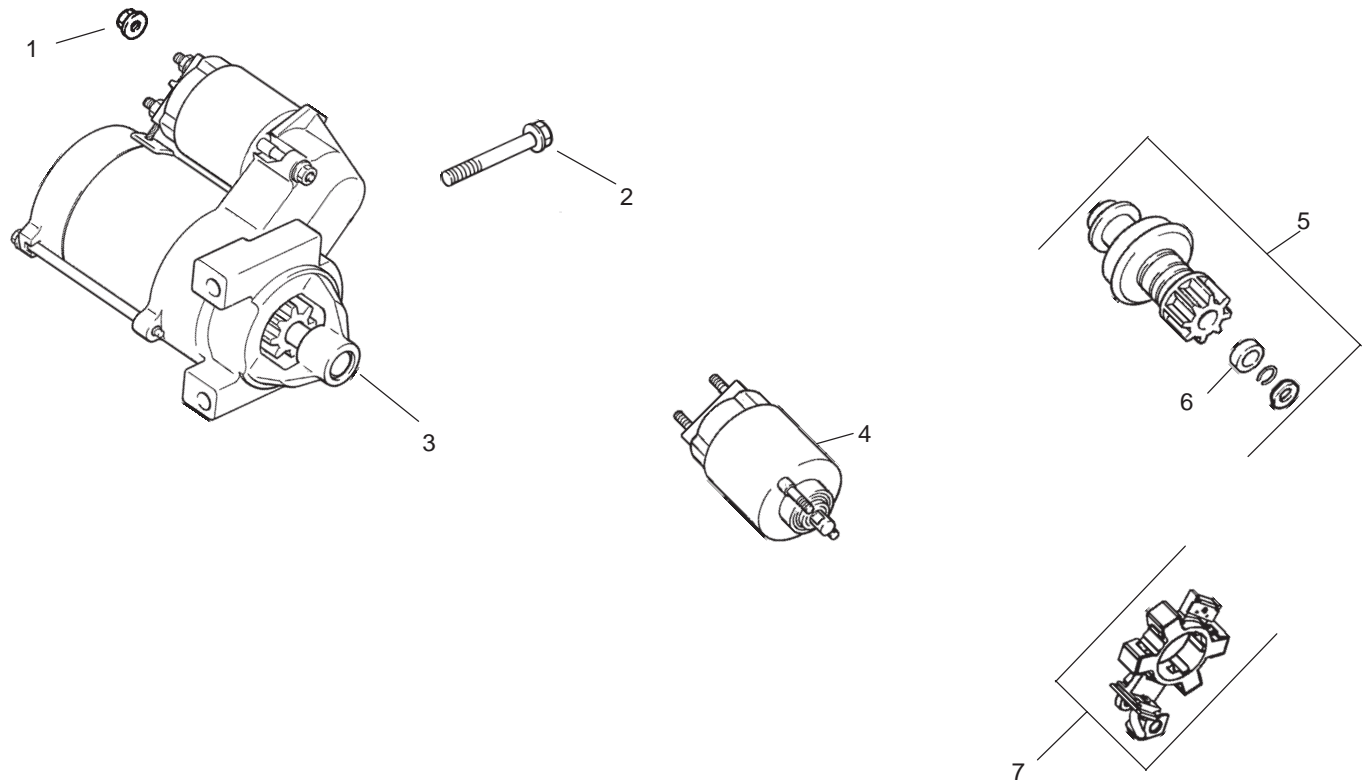


Blower Housing and Baffles Assembly (Kohler CH20QS-PS64677)

Ref. No.	Part No.	Qty.	Description
1.	24 027 119-S	1	Housing, blower asm (Includes 2-4 & 24 332 01-S)
2.	24 100 01-S	2	Nut, plastic
3.	25 086 43-S	1	Screw, set
4.	25 139 16-S	1	Plug, button 9/16
5.	24 100 02-S	2	Nut, plastic (2)
6.	M-551016-S	1	Screw, hex. flange M5x0.8x16
7.	M-545016-S	3	Screw, hex. flange M5x0.8x16
8.	M-545020-S	4	Screw, hex. flange M5x0.8x20
9.	24 146 16-S	1	Plate, backing - #2 side
10.	M-645016-S	6	Screw, hex. flange M6x1.0x16
11.	24 063 20-S	1	Baffle, cylinder barrel - #2 side
12.	24 063 17-S	1	Baffle, valley - #2 side
13.	M-639010-S	8	Screw, hex. flange M8x1.25x10
14.	24 126 04-S	2	Bracket, support
15.	24 063 13-S	1	Baffle, ducted air left
16.	24 063 12-S	1	Baffle, ducted air right
17.	M-639010-S	8	Screw, hex. flange M8x1.25x10
18.	24 146 04-S	1	Plate, ducted air backing
19.	M-545010-S	2	Screw, hex. flange M5x0.8x10
20.	24 063 24-S	1	Baffle, valley - #1 side

Ref. No.	Part No.	Qty.	Description
21.	24 063 58-S	1	Baffle, cylinder barrel - #1 side
22.	24 146 20-S	1	Plate, backing - #1 side
13.	24 755 14-S	1	Kit, Q-duct (Includes 14-18)
14.	24 126 04-S	2	Bracket, support
15.	24 063 13-S	1	Baffle, ducted air left
16.	24 063 12-S	1	Baffle, ducted air right
17.	M-639010-S	8	Screw, hex. flange M8x1.25x10
18.	24 146 04-S	1	Plate, ducted air backing
	24 113 95-S	1	NOT ILLUSTRATED Decal, HP

Obtain Parts from Kohler

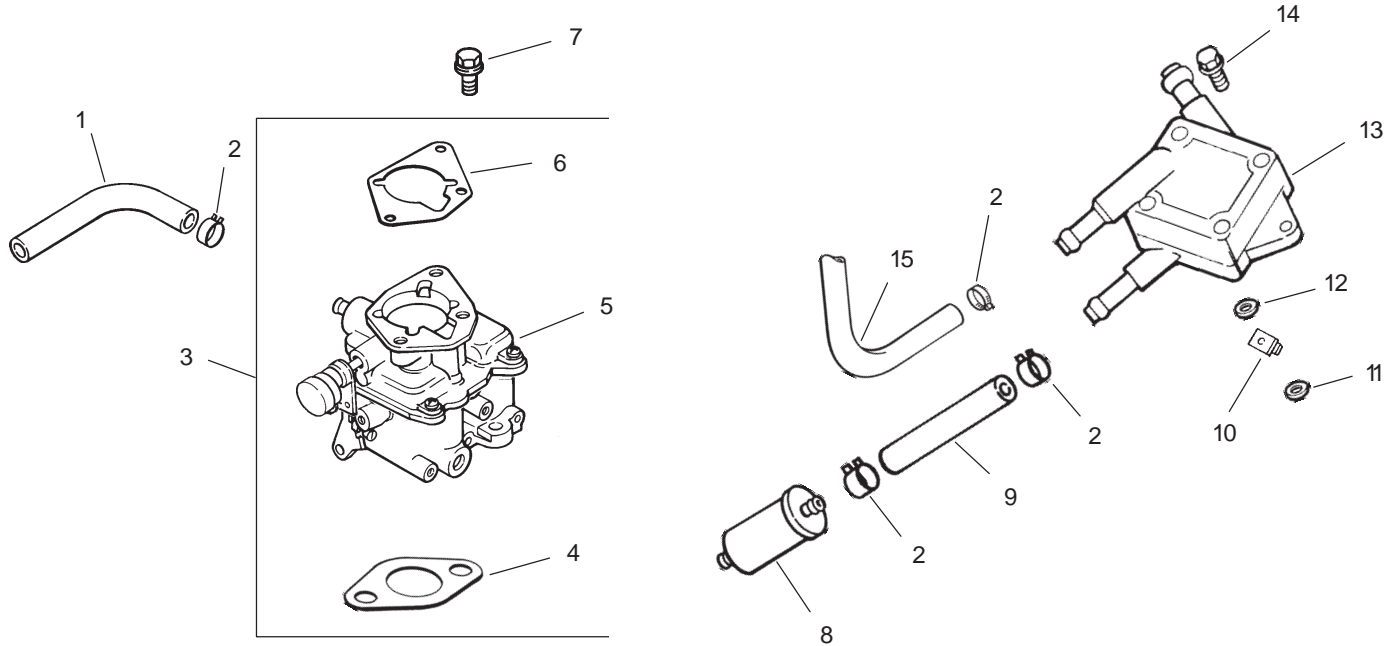


Starting System Assembly (Kohler CH20QS-PS64677)

Ref. No.	Part No.	Qty.	Description
1.	M-841080-S	1	Nut, hex flange M8x1.25
2.	M-839080-S	2	Screw, hex. flange M8x1.25x80
3.	25 098 08-S	1	Starter, solenoid shift asm (Includes 4-7)
4.	25 435 04-S	1	Kit, solenoid
5.	25 755 33-S	1	Kit, pinion drive (Includes 6)
6.	25 141 05-S	1	Ring
7.	25 221 01-S	1	Kit, brush

Ref. No.	Part No.	Qty.	Description

Obtain Parts from Kohler

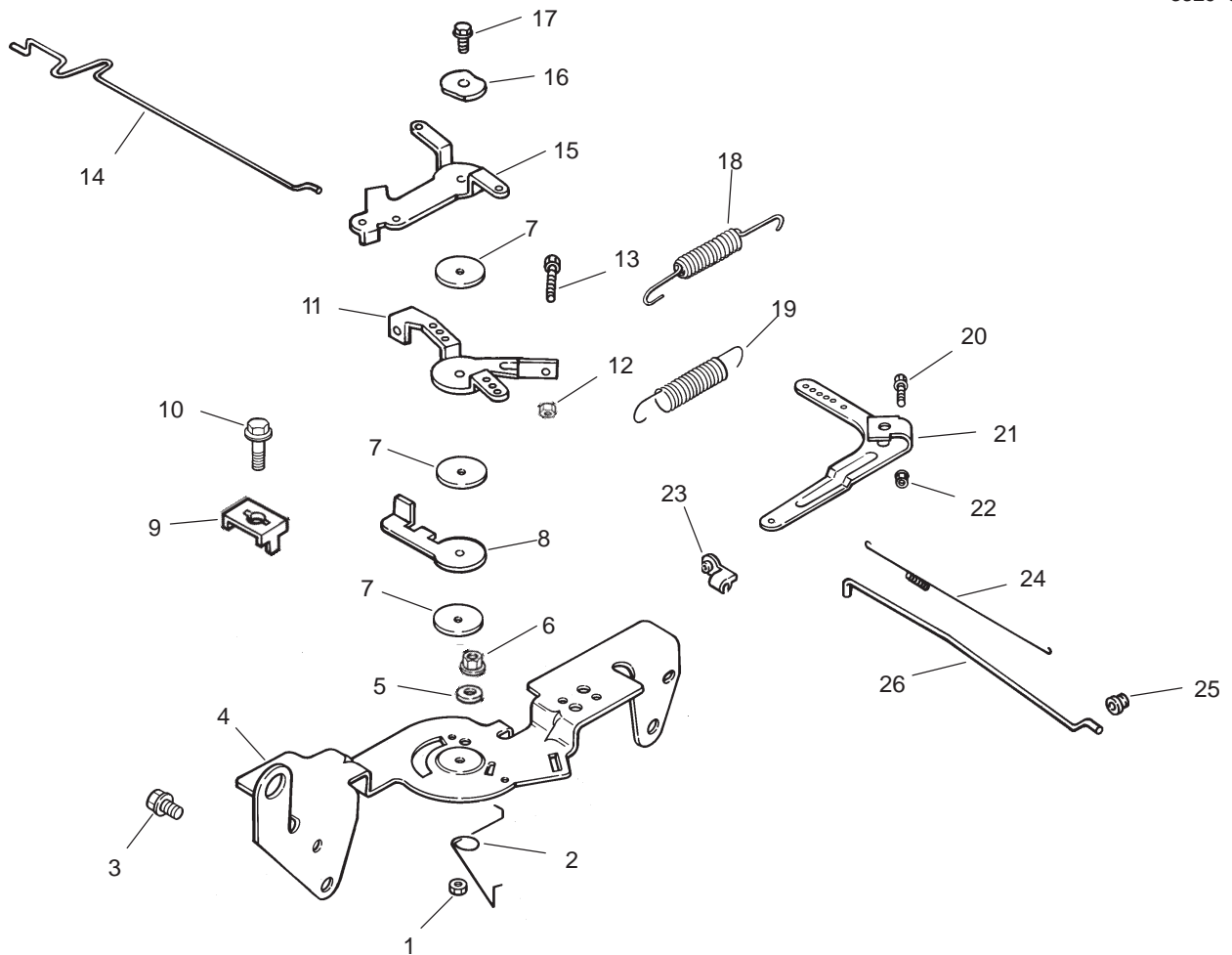


Fuel System Assembly (Kohler CH20QS-PS64677)

Ref. No.	Part No.	Qty.	Description
1.	25 353 32-S	1	Line, fuel 9"
2.	25 237 14-S	6	Clamp, hose
3.	24 853 75-S	1	Kit, carburetor w/gasket (Includes 4-6)
4.	24 041 06-S	1	Gasket, air cleaner base
5.	24 053 75	1	Carburetor assembly (For information only not available separately) (Service with kits 24 757 01-S, 24 757 02-S, 24 757 03-S, & 24 757 07-S)
6.	24 041 17-S	1	Gasket, carburetor
7.	M-651030-S	2	Screw, hex. flange M6x1.0x30
8.	24 050 02-S	1	Filter, fuel
9.	41 353 14-S	1	Line, fuel 15-1/2"
10.	24 100 01-S	2	Nut, plastic
11.	52 112 13-S	2	Spacer
12.	X-25-52-S	2	Washer, plain 1/4"
10.	24 393 16-S	1	Pump, fuel - pulse

Ref. No.	Part No.	Qty.	Description
11.	24 086 31-S	2	Screw, tapping 1/4-14x1.5
12.	24 353 02-S	1	Line, fuel 15-1/2"
			NOT ILLUSTRATED
	24 757 01-S	1	Kit, solenoid
	24 757 02-S	1	Kit, float
	24 757 03-S	1	Kit, carburetor repair
	24 757 07-S	1	Kit, choke repair
	24 755 125-S	1	Kit, high altitude w/gaskets

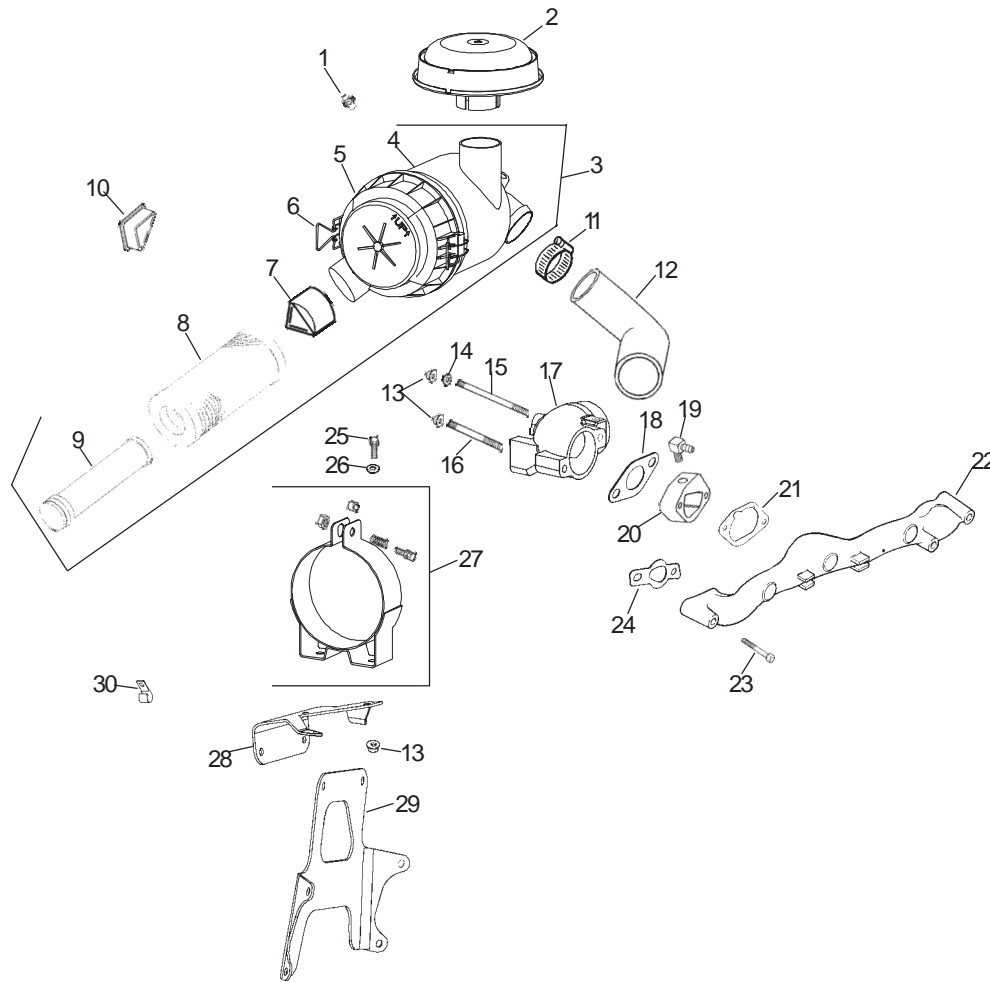
Obtain Parts from Kohler



Engine Control Assembly (Kohler CH20QS-PS64677)

Ref. No.	Part No.	Qty.	Description	Ref. No.	Part No.	Qty.	Description
1.	M-547050-S	1	Nut, hex. lock M5x0.8	20.	24 211 03-S	1	Bolt round head square neck
2.	24 089 03-S	1	Spring, choke return	21.	24 090 33-S	1	Lever, governor
3.	M-645016-S	4	Screw, hex. flange M6x1.0x16	22.	M-641060-S	1	Nut, hex. flange M6x1.0
4.	24 126 56-S	1	Bracket, control	23.	25 158 11-S	1	Bushing, linkage retaining
5.	X-20-1-S	1	Washer, lock 1/4	24.	24 089 01-S	1	Spring, linkage
6.	M-541050-S	1	Nut, hex. flange M5x0.8	25.	25 158 08-S	1	Bushing, linkage retaining
7.	24 468 01-S	3	Washer, plain 5.5 mm	26.	24 079 01-S	1	Linkage, throttle
8.	24 090 07-S	1	Lever, throttle actuator				
9.	12 237 01-S	2	Clamp, cable				
10.	M-545016-S	3	Screw, hex. flange M5x0.8x16				
11.	24 090 03-S	1	Lever, throttle control				
12.	M-446030-S	1	Nut, hex M4x0.7				
13.	M-401030-S	1	Screw, hex. cap M4x0.7x30				
14.	24 079 02-S	1	Linkage, choke				
15.	24 090 05-S	1	Lever, choke				
16.	41 468 03-S	1	Washer, spring 1/4"				
17.	M-545020-S	1	Screw, hex. flange M5x0.8x20				
18.	24 089 51-S	1	Spring, throttle limiter				
19.	24 089 49-S	1	Spring, governor				

Obtain Parts from Kohler



Air Intake and Filtration Assembly (Kohler CH20QS-PS64677)

Ref. No.	Part No.	Qty.	Description	Ref. No.	Part No.	Qty.	Description
1.	25 139 20-S	1	Plug, pipe	18.	24 041 44-S	1	Gasket, air cleaner adapter
2.	25 324 02-S	1	Hood, air cleaner	19.	25 155 38-S	1	Connector, hose
3.	25 048 07-S	1	Assembly, air cleaner (Includes 4-9)	20.	24 029 44-S	1	Adapter, breather fitting
4.	25 081 01-S	1	Housing, heavy duty air cleaner	21.	24 041 14-S	1	Gasket, air cleaner base
5.	25 096 06-S	1	Cover assembly, plastic air cleaner	22.	24 164 06-S	1	Manifold, intake
6.	25 154 05-S	2	Clip	23.	25 086 84-S	4	Screw, hex. flange M6x1.0x55
7.	24 462 07-S	1	Valve, dust ejector	24.	24 041 01-S	2	Gasket, intake manifold
8.	25 083 01-S	1	Element, air cleaner primary	25.	M-639016-S	2	Screw, hex. flange M6x1.0x16
9.	25 083 04-S	1	Element, air cleaner safety	26.	X-25-73-S	2	Washer, plain 1/4"
10.	24 096 17-S	2	Cover, blower housing	27.	25 126 02-S	1	Bracket, air cleaner
11.	25 237 07-S	2	Clamp, hose	28.	24 126 104-S	1	Bracket, air cleaner mounting
12.	24 326 53-S	1	Hose, air cleaner	29.	24 126 105-S	1	Bracket, main support
13.	M-647060-S	4	Nut, hex. lock M6x1.0x60	30.	47 154 01-S	1	Clip, cable
14.	25 468 01-S	1	Washer, copper 1/4"				NOT ILLUSTRATED
15.	24 072 10-S	1	Stud M6x1.0x180	25 454 04-S	1	Tie, wire	
16.	M-629140-S	1	Stud, carburetor M6x1.0x40				
17.	24 029 43-S	1	Adapter, elbow				

Obtain Parts from Kohler

