



ProLine H600 Rotary Mower

Model No. 31041—Serial No. 324000000 and Up

Setup Instructions

Setup

Loose Parts

Use the chart below to verify that all parts have been shipped.

Procedure	Description	Qty.	Use
1	No parts required	–	Remove the machine from the crate.
2	Flat washer Bolt Locknut	6 2 2	Install the hopper door.
3	Hook Spacer Long bolt Short bolt Flat washer Rod connector Spring Flange nut Locknut Nut	1 1 2 1 2 1 1 4 2 1	Install the latch.
4	Warning decal Spark arrestor/Prop 65 decal Diesel fuel decal	1 1 1	Install the decals.
5	No parts required	–	Complete the setup.

Note: Determine the left and right sides of the machine from the normal operating position.



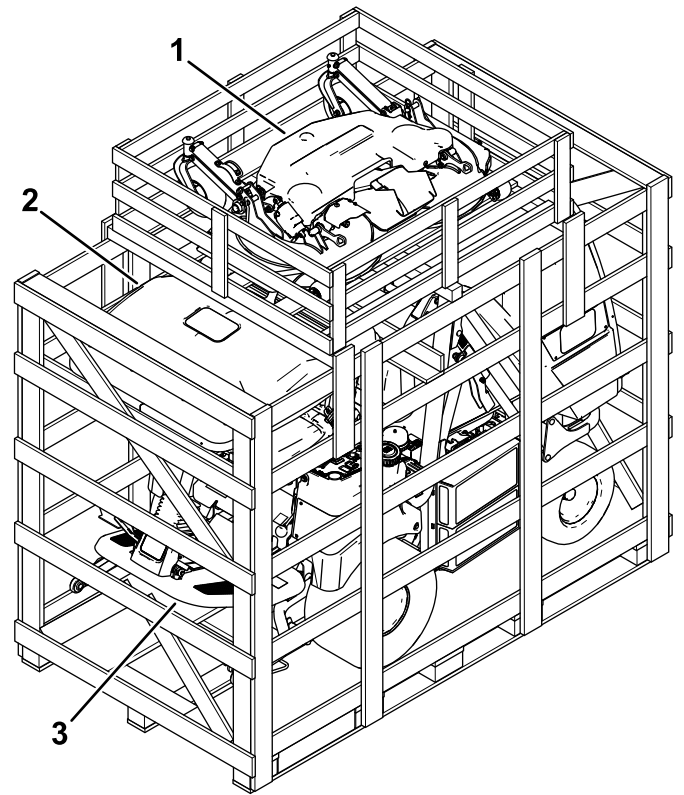
1

Removing the Machine from the Crate

No Parts Required

Procedure

1. Remove the 4 planks that attach the mower-deck crate to the traction-unit crate.
2. Remove the mower-deck crate (Figure 1).
3. Remove the hopper door from the crate (Figure 1).
4. Remove the front panel, plastic bags, and other packaging material.
5. Remove all the packaged machine components attached to the pallet.
6. Remove the wood over the seat that is used to support the hopper door.
7. Remove the wooden blocks from the wheels and the steel hooks.
8. Charge and connect the battery; refer to the traction unit *Operator's Manual*.
9. Remove the machine from the crate (Figure 1).



g528015

Figure 1

- | | |
|----------------|------------|
| 1. Mower deck | 3. Machine |
| 2. Hopper door | |

2

Installing the Hopper Door

Parts needed for this procedure:

6	Flat washer
2	Bolt
2	Locknut

Procedure

1. Remove the hardware from the brackets on the hopper.
2. Install the hopper door to the hopper with the previously removed hardware; refer to [Figure 2](#).

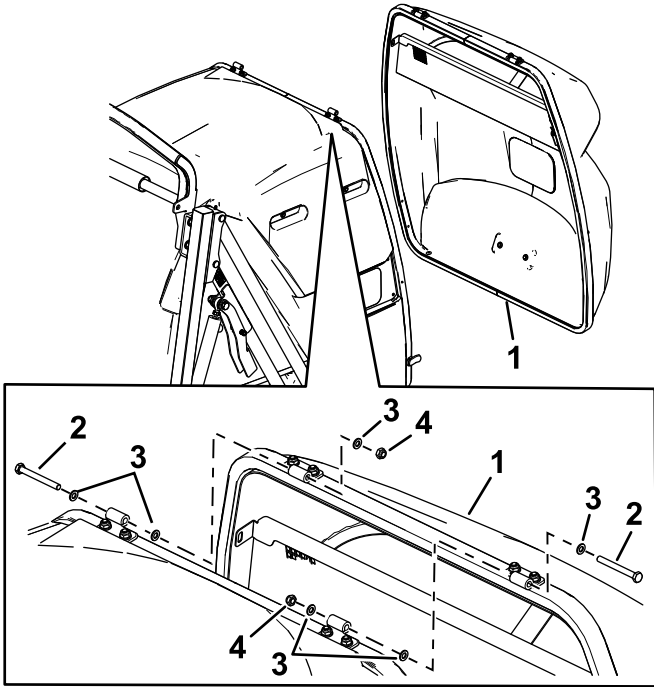


Figure 2

- | | |
|----------------|------------|
| 1. Hopper door | 3. Washer |
| 2. Bolt | 4. Locknut |

3

Installing the Latch

Parts needed for this procedure:

1	Hook
1	Spacer
2	Long bolt
1	Short bolt
2	Flat washer
1	Rod connector
1	Spring
4	Flange nut
2	Locknut
1	Nut

Procedure

1. Install the hook and spacer to the hopper with a long bolt, flat washer, flange nut, spring, and locknut ([Figure 3](#)).

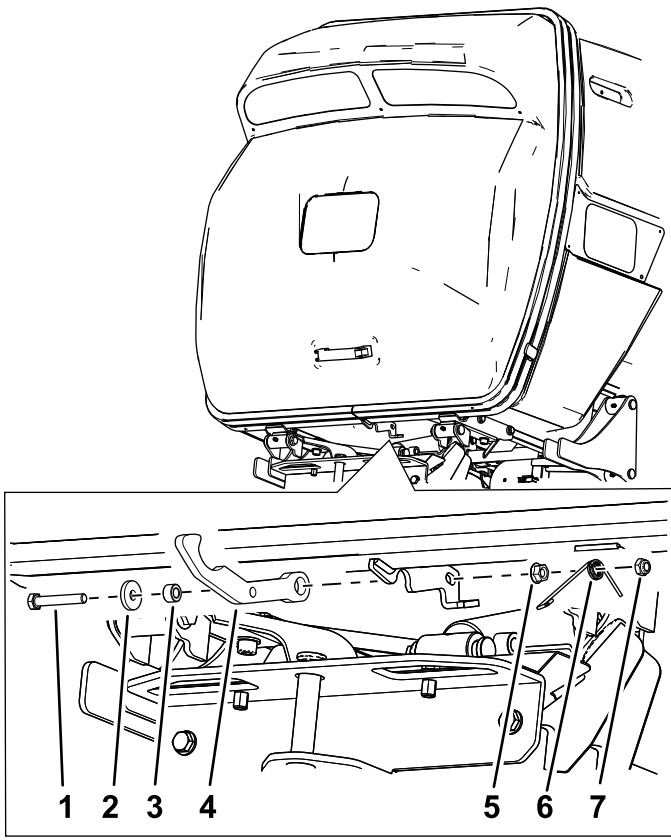


Figure 3

g528011

- 1. Long bolt
- 2. Flat washer
- 3. Spacer
- 4. Hook
- 5. Flange nut
- 6. Spring
- 7. Locknut

- 2. Install the rod connector to the hook with a long bolt, flange nuts, and locknut (Figure 4).

Note: Ensure that the locknut is not fully installed onto the bolt. The space between the flange nut and locknut is used for the spring (Figure 6).

- 3. Install the rod connector to the hook with a short bolt, flat washer, flange nut, and locknut. (Figure 4).

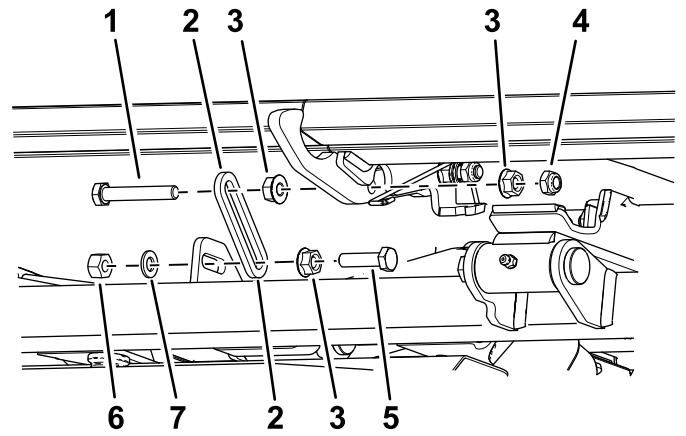


Figure 4

g528010

- 1. Long bolt
- 2. Rod connector
- 3. Flange nut
- 4. Locknut
- 5. Short bolt
- 6. Nut
- 7. Flat washer

- 4. Check the gap between the hook and the closed hopper door. Ensure that the gap is 2 mm (1/16 inch) and adjust if necessary (Figure 5).

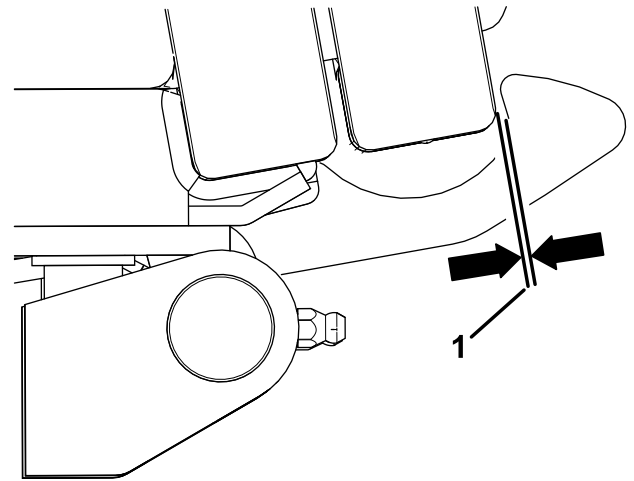


Figure 5

g528012

- 1. 2 mm (1/16 inch) gap

- 5. Install the spring ends as shown in Figure 6.

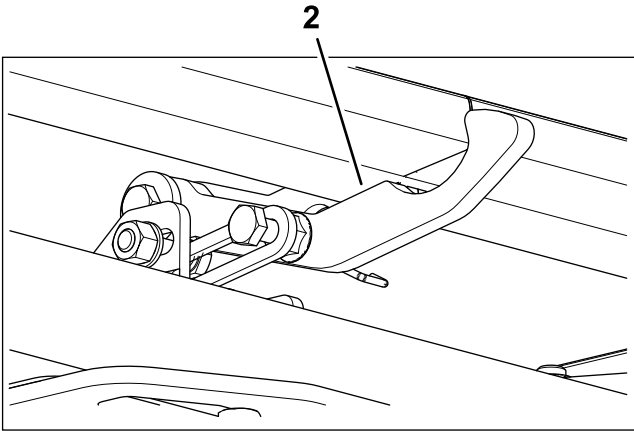
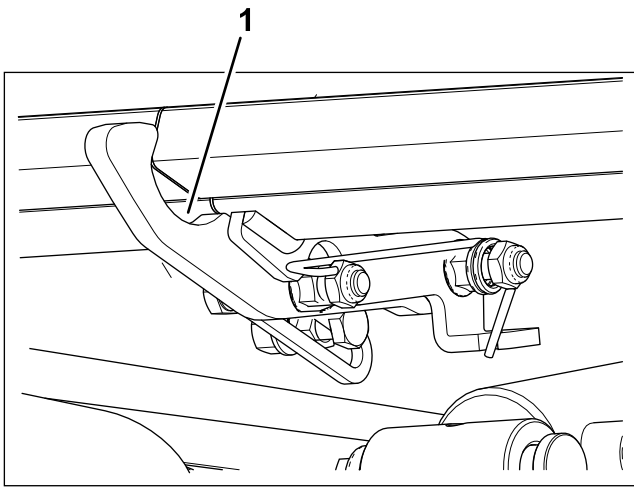


Figure 6
Hook installed

g528013

1. Right side
2. Left side

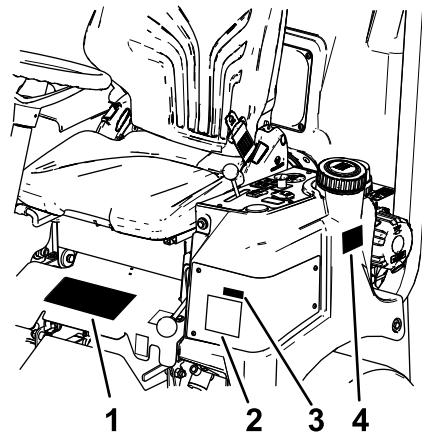


Figure 7

g528056

1. Warning decal—install over the existing decal
2. Existing decal
3. Spark-arrestor decal
4. Diesel fuel decal

5

Completing the Setup

No Parts Required

Procedure

Complete the setup instructions that are in the traction unit *Operator's Manual*.

4

Installing the Decals

Parts needed for this procedure:

1	Warning decal
1	Spark arrestor/Prop 65 decal
1	Diesel fuel decal

Procedure

Note: Ensure that the decals are installed at the time of sale or shown to the public for the countries listed in the table for [Countries](#) (page 6).

Install the warning decal over the existing decal, spark arrestor decal, and the diesel fuel decal as shown in [Figure 7](#).

Countries

ISO	Language
AI	Anguilla
AG	Antigua and Barbuda
AR	Argentina
AU	Australia
BD	Bangladesh
BS	Bahamas
BB	Barbados
Bz	Belize
BM	Bermuda
BO	Bolivia
VG	British Virgin Islands
BN	Brunei
BU	Burma (Myanmar)
KH	Cambodia
CA	Canada
KY	Cayman Islands
CL	Chile
CO	Colombia
CR	Costa Rica
DM	Dominica
EC	Ecuador
EG	Egypt
FJ	Fiji
GD	Grenada

ISO	Language
GU	Guam
GT	Guatemala
GY	Guyana
HT	Haiti
HN	Honduras
HK	Hong Kong
IN	India
IL	Israel
CI	Ivory Coast
JM	Jamaica
JP	Japan
JO	Jordan
LA	Laos
LB	Lebanon
MY	Malaysia
MV	Maldives
MU	Mauritius
MX	Mexico
UM	Minor Outlying Islands
MS	Montserrat
NZ	New Zealand
MP	Northern Mariana Islands
OM	Oman
Pa	Panama

ISO	Language
PY	Paraguay
PE	Peru
PH	Philippines
PR	Puerto Rico
LC	Saint Lucia, Saint Kitts and Nevis
VC	Saint Vincent, Grenadines
AS	Samoa, American
SG	Singapore
ZA	South Africa
KR	South Korea
LK	Sri Lanka
SR	Suriname
TW	Taiwan
TH	Thailand
TT	Trinidad and Tobago
TN	Tunisia
TC	Turks and Caicos Islands
AE	United Arab Emirates
US	United States
VI	U.S. Virgin Islands
UY	Uruguay
VE	Venezuela
VN	Vietnam

Notes:



Count on it.