



**Mid-Size Mower**  
**ProLine Hydro 15hp**  
**with 112cm Side Discharge Mower**  
Model No. 30299TE—230000001 and Up

## Parts Catalog

### Ordering Replacement Parts

To order replacement parts, please supply: the part number, the quantity, and the description of each part desired.

### Understanding Reference Numbers

Each identified part in an illustration has a reference number. The reference number for a part also appears in the parts list, along with other information about the part.

This catalog uses two special reference number formats, one to indicate parts in a service assembly and another to indicate the quantity of a given part in an illustration.

### Service Assembly Reference Numbers

Parts in service assemblies have reference numbers in the form **a:b**. The **a** represents the reference number of the entire service assembly and the **b** represents a sequential number unique to each part within the service assembly.

For example, a wheel assembly might be identified by reference number **6**, the tire by **6:1**, the valve by **6:2**, and the wheel by **6:3**. When you order the assembly identified by reference number **6**, you receive all parts identified by reference numbers **6:1**, **6:2**, and **6:3**. However, you may also order any part individually.

Reference numbers of this type appear in illustrations and in part lists.

### Reference Numbers Indicating Quantity

In an illustration, if a reference number indicates more than one part, the reference number has the form **nX y**. The **n** represents the quantity of the part, the **X** is the multiplication symbol, and the **y** represents the reference number.

For example, in an illustration, the reference number **2X 37** means that two of the parts identified by reference number **37** are indicated.

## Contents

Description	Page	Description	Page
Engine and Oil Cooler Assembly .....	3	Crankcase Assembly (Group 2)	
Pivot and Linkage Assembly .....	4	Kohler Engine CV15S-41620 .....	22
Handle Assembly .....	5	Oil Pan and Lubrication Assembly (Group 3)	
Control Panel Assembly .....	6	Kohler Engine CV15S-41620 .....	23
Parking Brake Assembly .....	7	Head, Valve and Breather Assembly (Group 4)	
Fuel Tank, Hydro Pump and		Kohler Engine CV15S-41620 .....	24
Power-Take-Of f Assembly .....	8	Ignition and Electrical Assembly (Group 5)	
Hydraulic Pump Assembly No. 95-1538 .....	9	Kohler Engine CV15S-41620 .....	25
Hydraulic and Drive System Assembly .....	10	Blower Housing and Baffle Assembly (Group 6)	
Wheel motor Assembly No. 82-8230 .....	12	Kohler Engine CV15S-41620 .....	26
Battery Assembly .....	13	Starting System Assembly (Group 7)	
Deck and Cover Assembly .....	14	Kohler Engine CV15S-41620 .....	27
Spindle and Idler Assembly .....	15	Fuel System Assembly (Group 8)	
Spindle Housing Assembly No. 67-7600 .....	16	Kohler Engine CV15S-41620 .....	28
Spindle Housing Assembly No. 67-7660 .....	17	Engine Control Assembly (Group 9)	
Carrier Frame Assembly .....	18	Kohler Engine CV15S-41620 .....	29
Decal and Belt Assembly .....	19	Air Intake and Filtration Assembly (Group 10)	
Electrical Schematic .....	20	Kohler Engine CV15S-41620 .....	30
Crankshaft Assembly (Group 1)		Exhaust Assembly (Group 11)	
Kohler Engine CV15S-41620 .....	21	Kohler Engine CV15S-41620 .....	31

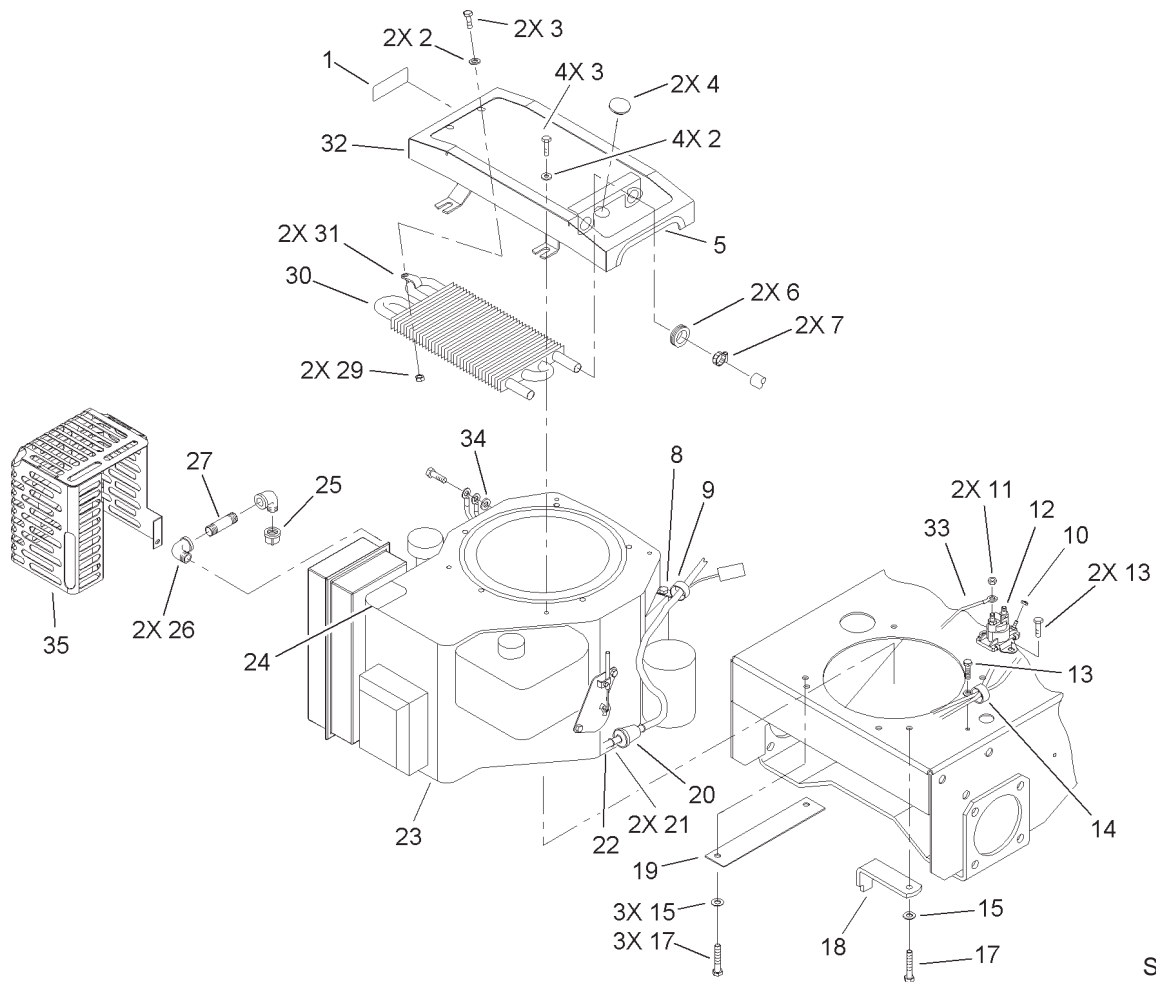
## Accessories

Description	Model / Part No.	Description	Model / Part No.
Platform Sulkey .....	30110	Striping Kit .....	99-4590
Soft Bagger .....	30104	44in Recycler Kit .....	99-4582
Steel Bagger .....	30107	Atomic Blade .....	104-1300

## Part Description Abbreviations

Part descriptions in this catalog may include the following abbreviations.

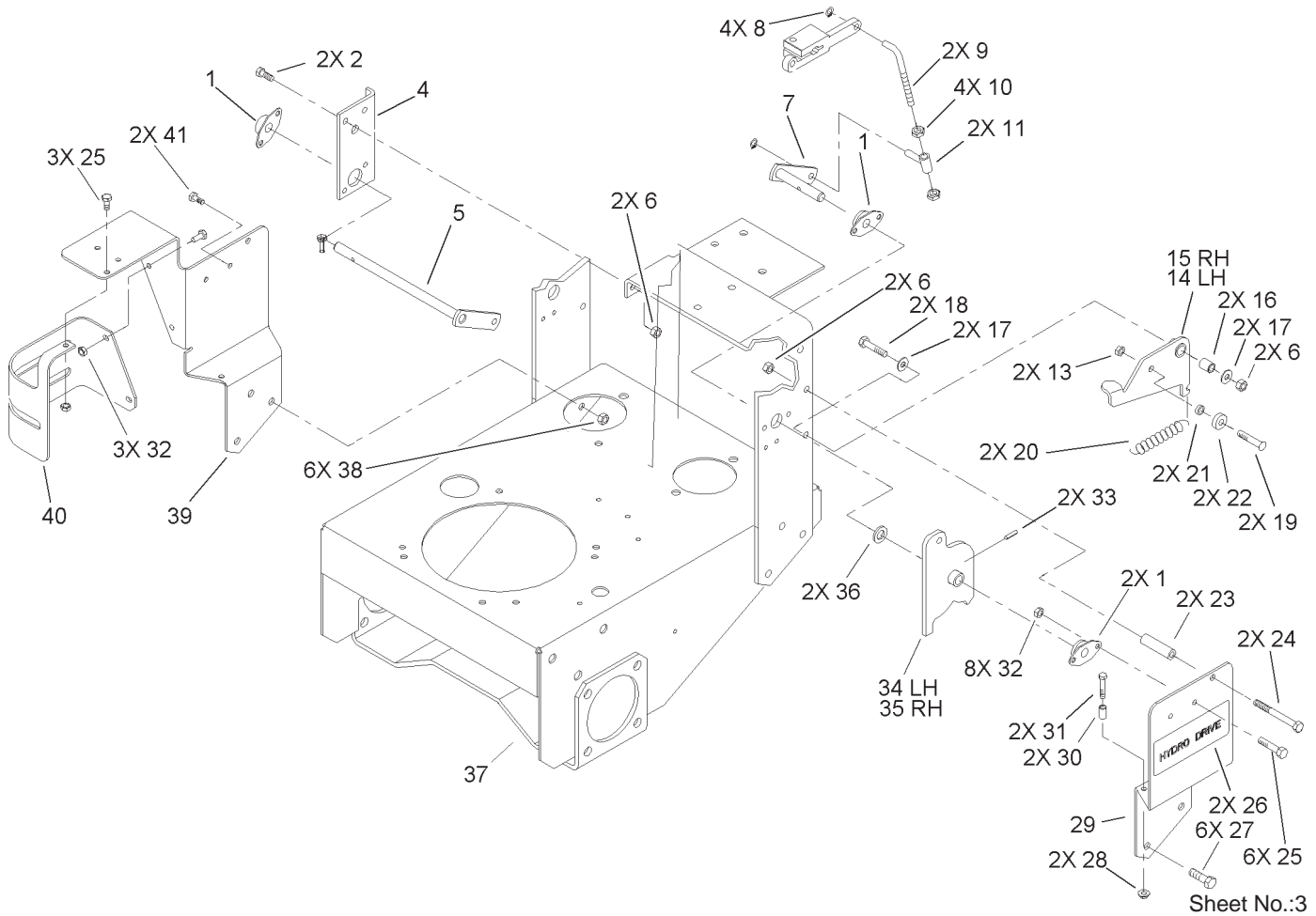
Abbreviation	Meaning	Abbreviation	Meaning
AR .....	as required	HYD .....	hydraulic
ASM .....	assembly	INC .....	incorporated
CARR .....	carriage	LH .....	left hand
DEG .....	degrees	NI .....	nylon insert
FH .....	flat head	PPH .....	Phillips pan head
GA .....	gauge	PTH .....	Phillips truss head
HF .....	hex flange	PTO .....	power take off
HH .....	hex head	RH .....	right hand
HHF .....	hex head flange	SFH .....	slotted fillister head
HLH .....	hex lag head	SHH .....	slotted hex head
HJ .....	hex jam	SQH .....	square head
HOC .....	height-of-cut	SHWH .....	slotted hex washer head
HS .....	hex socket	SPH .....	slotted pan head
HSBH .....	hex socket button head	SRH .....	slotted round head
HSFH .....	hex socket flat head	STD .....	standard
HSH .....	hex socket head	TAP .....	self tapping
HWH .....	hex washer head	TTH .....	Torx truss head
HWHTF .....	hex washer head thread forming	WH .....	wing head



Sheet No.:2

## Engine and Oil Cooler Assembly

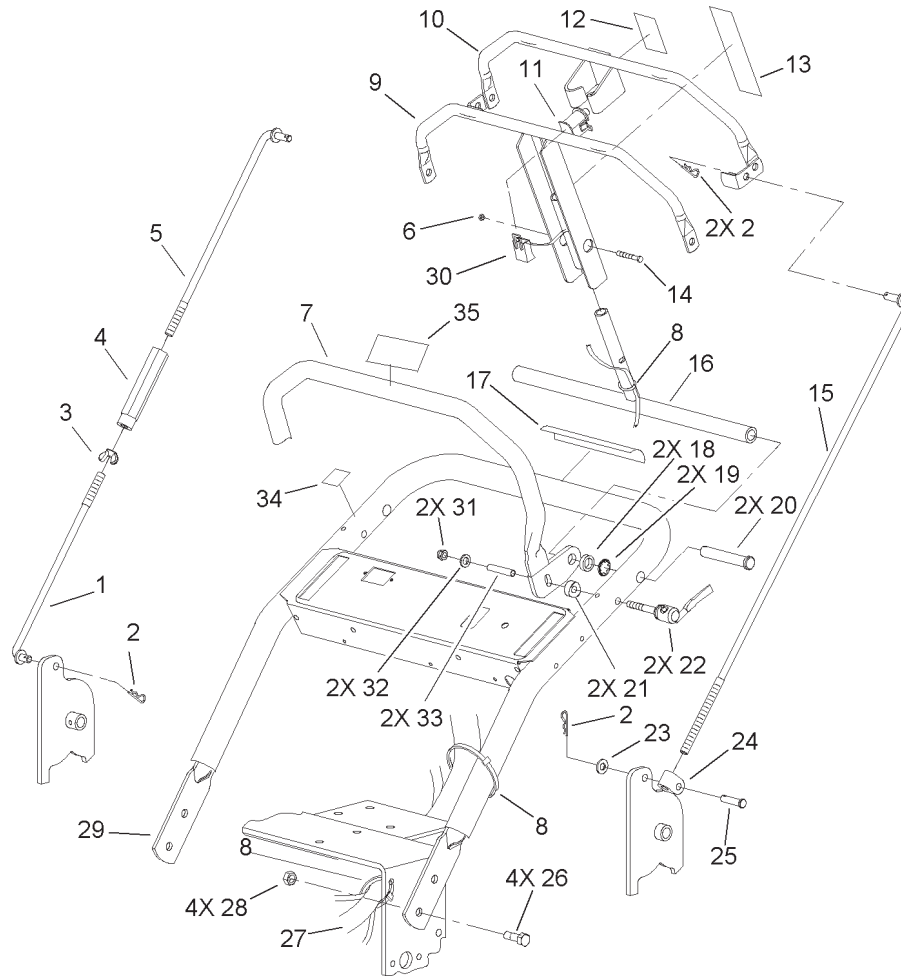
Ref. No.	Part No.	Qty.	Description	Ref. No.	Part No.	Qty.	Description
1	93-9353	1	Decal-Shut Off, Fuel	27	289-46	1	Nipple-Pipe
2	3256-1	6	Washer-Flat	29	3296-42	2	Nut-Lock, NI
3	321-39	6	Screw-HH	30	100-6480	1	Cooler-Oil
4	2410-71	2	Plug-Plastic	31	2412-134	2	R-Clamp
5	29-0642	1	Trim-Mount, Cooler	32	82-4500-03	1	Mount-Cooler
6	240-9	2	Grommet	33	54-3092	1	Wire ASM
7	2412-136	2	Clamp-Hose	34	3255-8	1	Washer-Lock
8	32144-19	1	Screw-Forming, Thread	35	105-0872-03	1	Guard-Muf fler
9	2412-106	1	Clamp-R				
10	32149-8	2	Nut-Keps				
11	32149-1	2	Nut				
12	28-4210	1	Solenoid				
13	32144-4	3	Screw-HWH				
14	2412-106	1	Clamp-R				
15	3256-23	4	Washer-Flat				
17	57-6380	4	Screw-HH				
18	51-4540-203	1	Retainer-Clutch				
19	94-5847-01	1	Cover-Pulley				
20	56-6360	1	Filter-Fuel				
21	2412-98	4	Clamp				
22	47-2964	1	Hose-Fuel				
23	106-0721	1	Engine-Kohler, 15hp				
24	93-8069	1	Decal-Surface, Hot				
25	288-4	1	Cap-Pipe				
26	74-0950	2	Elbow-Street, 90°				



## Pivot and Linkage Assembly

Ref. No.	Part No.	Qty.	Description
1	82-4130	4	Side Flange Bearing ASM
2	322-5	4	Screw-HH
4	82-4210-01	1	Bracket-Bushing
5	94-9059	1	Lever-Pivot, RH
6	3296-29	6	Nut-Lock, NI
7	94-9057	1	Lever-Pivot, LH
8	32151-3	4	Ring-Grip, Ext
9	94-9093	2	Rod-Link
10	3218-2	4	Nut-Jam
11	94-9062	2	Sleeve
13	3296-47	2	Nut-Lock, NI
14	82-4330-01	1	Arm-Detent, LH
15	82-4340-01	1	Arm-Detent, RH
16	82-4370	2	Bushing-Arm, Detent
17	3256-23	4	Washer-Flat
18	322-7	2	Screw-HH
19	3274-32	2	Screw-HSBH
20	82-4160	2	Spring-Detent
21	82-4240	2	Spacer-Bearing
22	251-259	2	Bearing-Ball
23	82-3920	2	Stop-Reverse
24	322-14	2	Screw-HH
25	321-3	9	Screw-HH
26	106-0700	2	Decal-Hydro
27	323-6	6	Screw-HH

Ref. No.	Part No.	Qty.	Description
28	32128-10	2	Locknut-Flange
29	95-1530-01	1	Bracket-Pivot, LH
30	95-1516	2	Spacer-T ubular
31	321-5	2	Screw-HH
32	3296-42	11	Nut-Lock, NI
33	32121-4	2	Pin-Roll
34	94-9054-01	1	Arm-Pivot, LH
35	94-9061-01	1	Arm-Pivot, RH
36	257-5	2	Washer-Thrust
37	106-0726-01	1	Frame ASM
38	3296-39	6	Nut-Lock, NI
39	95-1522-01	1	Bracket-Pivot, RH
40	95-5868-01	1	Guard-Filter
41	321-3	2	Screw-HH



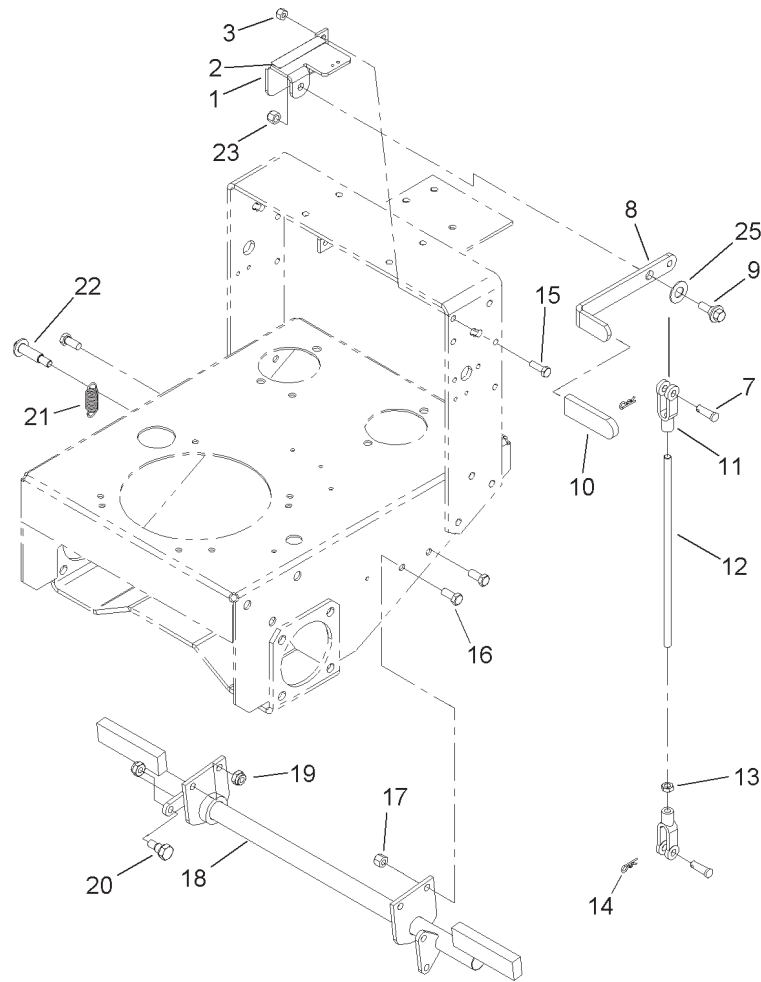
Sheet No.:4

## Handle Assembly

Ref. No.	Part No.	Qty.	Description
1	95-1506	1	Rod-Control, Lower
2	3290-307	4	Pin-Hair
3	32103-3	1	Nut-Wing
4	95-1504	1	Turnbuckle
5	95-1505	1	Rod-Control, Upper
6	32153-1	1	Nut-Lock
7	95-1536-03	1	Handle ASM
8	3290-378	3	Tie-Cable
9	104-6380-03	1	Control Bar ASM
10	104-6386-03	1	Bail ASM
11	82-2190	1	Switch-Bail
12	95-5850	1	Decal-Drive, Int'l
13	106-0701	1	Decal
14	32105-12	1	Screw
15	94-9095	1	Rod-Control
16	104-6383-03	1	Pivot ASM
17	95-5893	1	Decal-Slope, Int'l
18	95-5855	2	Spacer
19	32151-80	2	Nut-Push-On, Circular
20	283-55	2	Pin-Clevis
21	82-3840	2	Spacer
22	95-5853	2	Quick Release Lock ASM
23	3256-23	1	Washer-Flat
24	74-0521	1	Fitting-Rod

Ref. No.	Part No.	Qty.	Description
25	283-6	1	Pin-Clevis
26	3234-1 1	4	Screw-HHF
27	106-0679	1	Harness-Wire
28	32128-21	4	Nut-HF
29	95-5856-03	1	Handle-Upper
30	218-595	1	Connector-Body
31	33023-00	2	Nut-Lock
32	3290-436	2	Washer-Belleville
33	95-5854	2	Sleeve
34	95-5862	1	Decal-Lock, Speed
35	98-4387	1	Decal-Protection, Ear

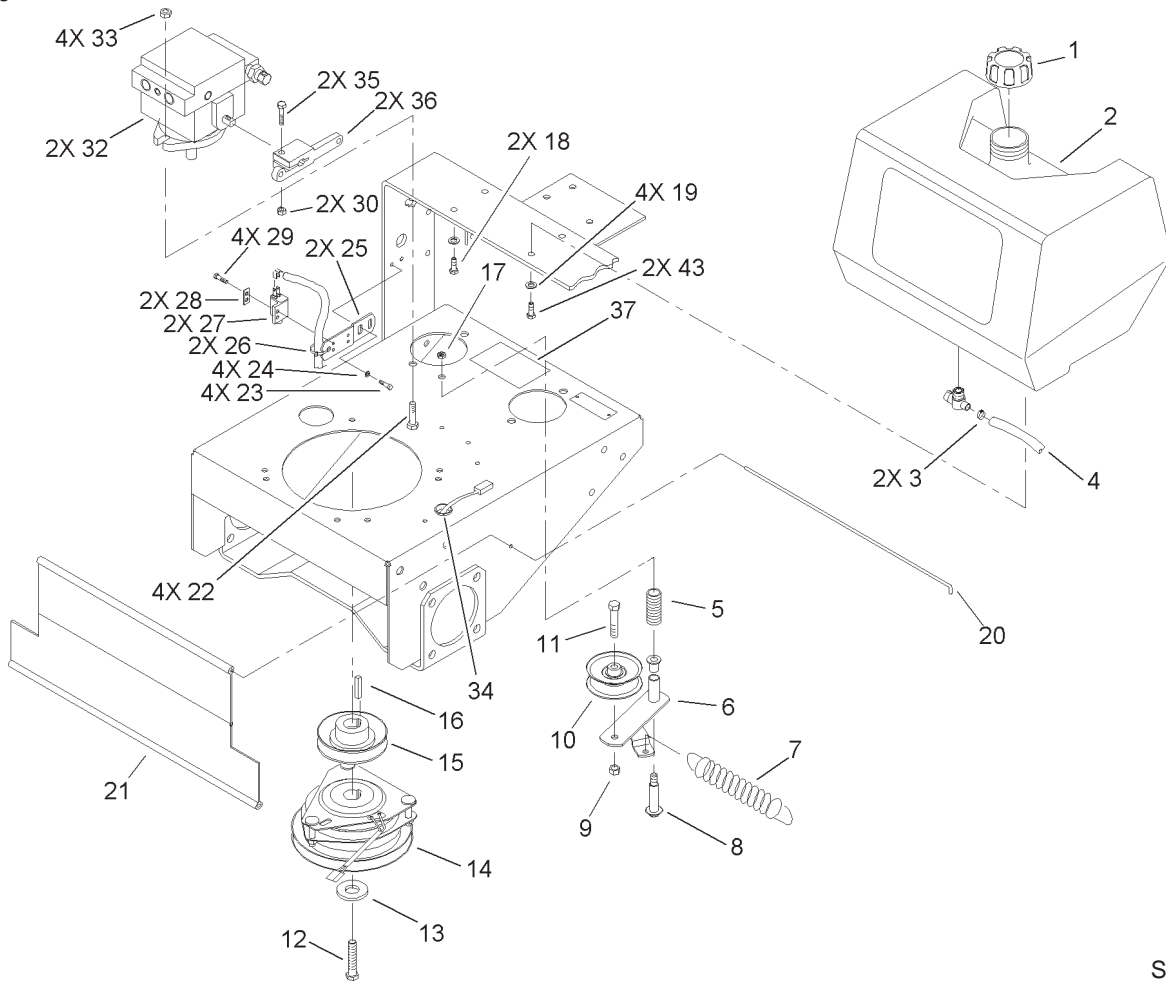




Sheet No.:6

## Parking Brake Assembly

Ref. No.	Part No.	Qty.	Description	Ref. No.	Part No.	Qty.	Description
1	106-0666-01	1	Brake Handle Support ASM				
2	106-0807	1	Decal				
3	3296-29	2	Nut-Lock, NI				
7	1-808285	2	Pin-Clevis				
8	106-0671-01	1	Handle-Brake				
9	93-2364	1	Bolt-Shoulder				
10	1-303020	1	Grip-Lever				
11	1-633131	2	Yoke-Linkage, Brake				
12	106-0670	1	Rod-Connecting, Brake				
13	3220-3	1	Nut-Jam				
14	3290-307	2	Pin-Hair				
15	322-5	2	Screw-HH				
16	323-5	3	Screw-HH				
17	3296-39	3	Nut-Lock, NI				
18	106-0660-01	1	Parking Brake ASM				
19	3296-44	2	Nut-Lock, NI				
20	27-5240	1	Bolt-Shoulder				
21	613386	1	Spring-Brake				
22	56-6590	1	Bolt-Wheel				
23	3296-6	1	Nut-Lock, NI				
25	257-7	1	Bearing-Thrust				



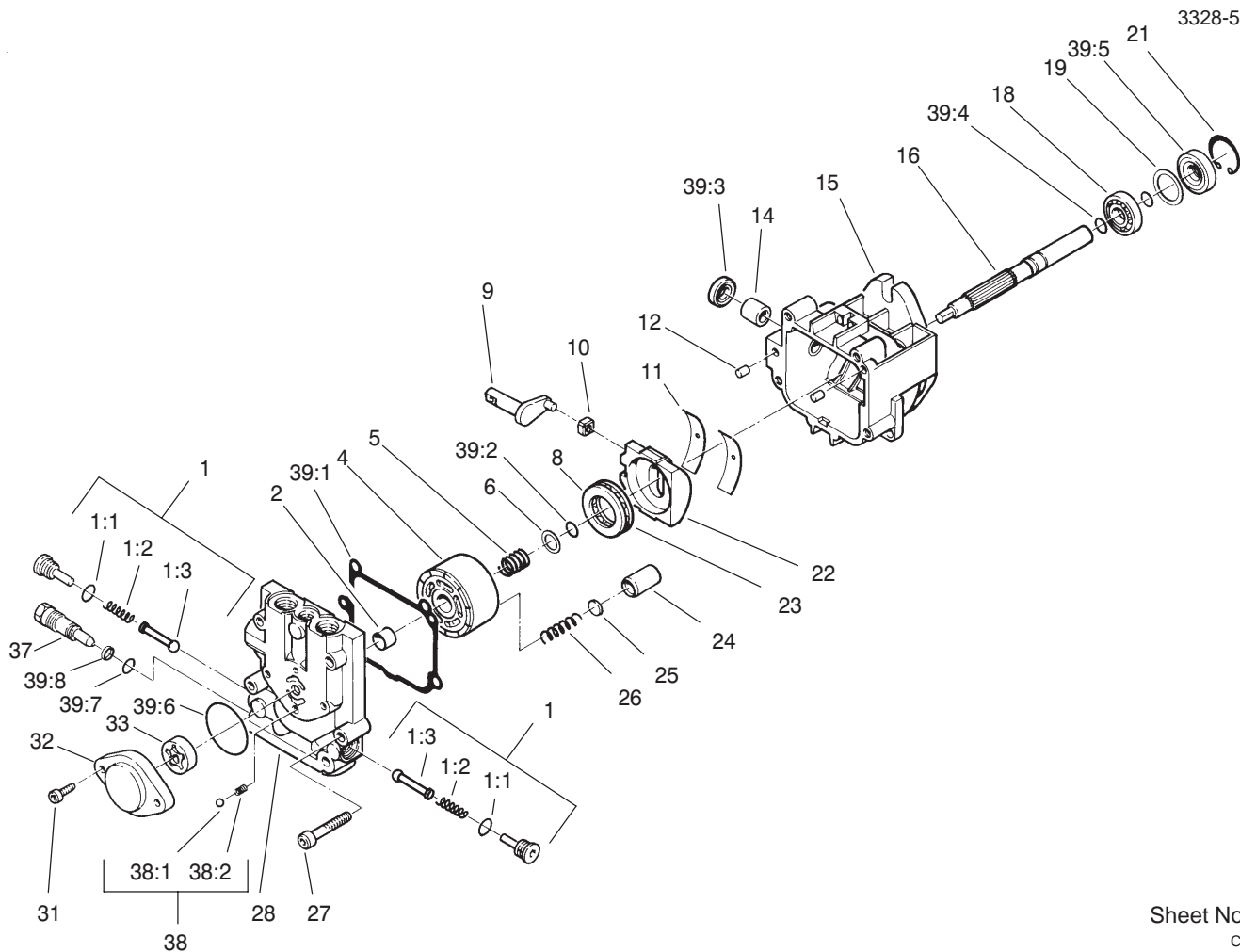
Sheet No.:7

## Fuel Tank, Hydro Pump and Power-Take-Off Assembly

Ref. No.	Part No.	Qty.	Description
1	55-3570	1	Gas Cap ASM
2	95-2802	1	Tank-Fuel
3	2412-98	2	Clamp
4	47-2982	1	Hose-Fuel
5	88-1880	1	Spring-Compression
6	86-4770	1	Idle Lever ASM
7	68-2190	1	Spring
8	27-6230	1	Bolt-Wheel
9	3296-39	1	Nut-Lock, NI
10	62-4540	1	Pulley
11	323-9	1	Screw-HH
12	3212-9	1	Screw-HH
13	112843	1	Washer
14	105-2635	1	Clutch/Brake
15	44-5940	1	Pulley
16	608006	1	Key-Square
17	3296-6	1	Nut-Lock, NI
18	322-3	2	Screw-HH
19	3253-4	4	Washer-Lock
20	95-1529	1	Rod-Shield
21	95-1526	1	Shield-T railing
22	324-5	4	Screw-HH
23	32144-4	4	Screw-HWH
24	3256-1	4	Washer-Flat
25	82-4580-03	2	Bracket-Neutral
26	3290-378	2	Tie-Cable

Ref. No.	Part No.	Qty.	Description
27	65-7410	2	Switch-Pole, Single
28	82-4570	2	Plate-Switch
29	32144-1	4	Screw-T aptite
30	3296-29	2	Nut-Lock, NI
32	95-1538	2	HYD Pump ASM
33	32128-42	4	Nut-HF
34	237-124	1	Grommet
35	322-7	2	Screw-HH
36	82-3790	2	Arm-Pump
37	95-5851	1	Decal-V alve, Int'l
43	322-4	2	Screw-HH





Sheet No.:A1  
C-3028

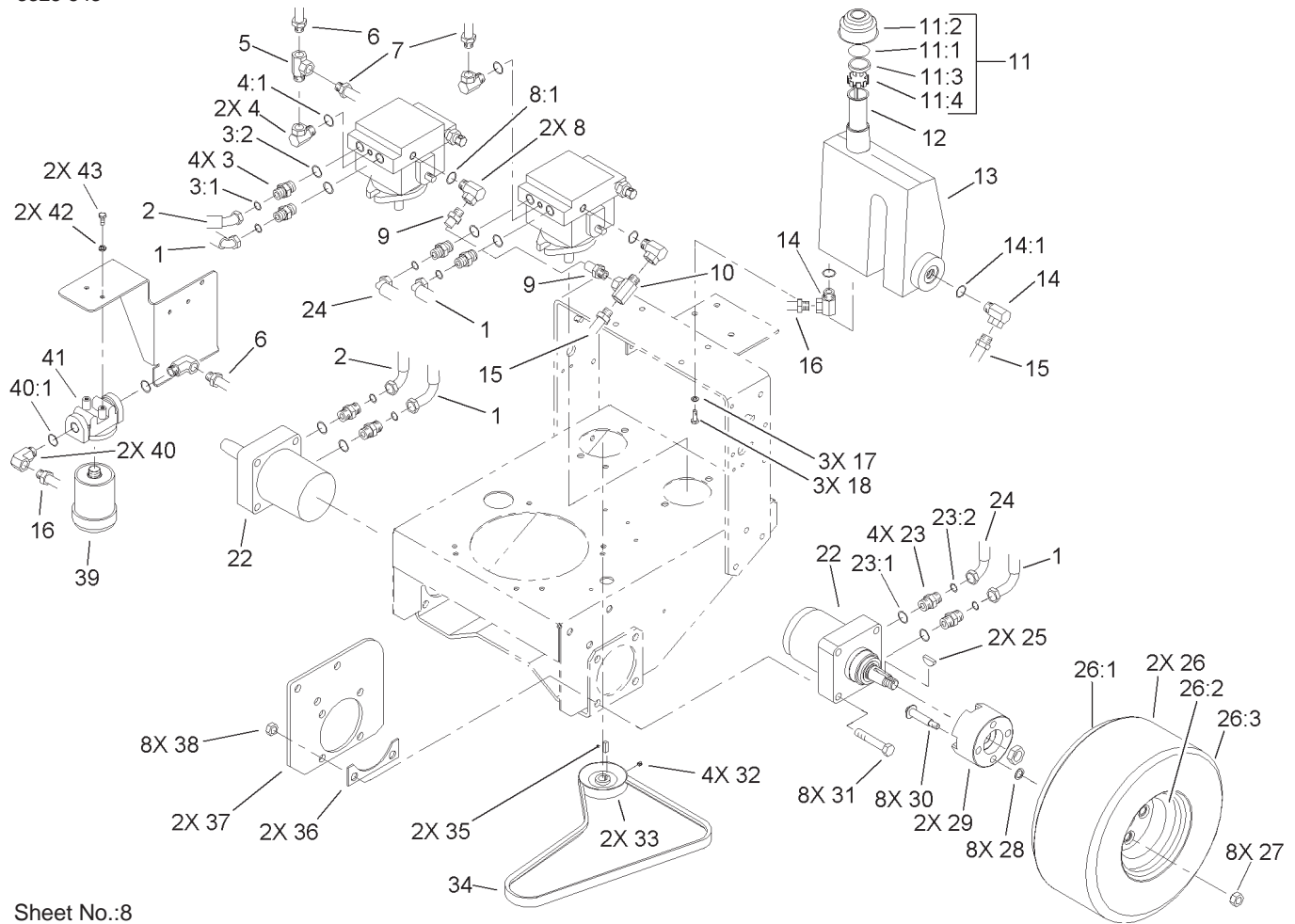
## Hydraulic Pump Assembly No. 95-1538

Ref. No.	Part No.	Qty.	Description
1	80-6120	2	Check Valve Kit
☆1:1		1	O-Ring
☆1:2		1	Spring
☆1:3		1	Poppet
☆2		1	Journal-Bearing
☆4		1	Block-Cylinder
☆5		1	Spring
☆6		1	Washer
☆8		1	Plate-Thrust
☆9		1	Arm-T runion
☆10		1	Guide-Slot
☆11		2	Cradle-Bearing
☆12		2	Pin
☆14		1	Journal-Bearing
☆15		1	Housing
☆16		1	Shaft
☆18		1	Bearing-Ball
☆19		1	Spacer
☆21		1	Ring-Retaining
☆22		1	Swashplate ASM
☆23		1	Roller-Thrust
☆24		5	Piston
☆25		5	Washer-Thrust
☆26		5	Spring-Piston
☆27		4	Screw
☆28		1	Cap-End

Ref. No.	Part No.	Qty.	Description
☆31		2	Screw
☆32		1	Housing-Pump, Charge
☆33		1	Gerotor ASM
☆37		1	Valve-Bypass
38	80-61 10	1	Relief Valve Charge Kit
☆38:1		1	Ball
☆38:2		1	Spring
*39	80-6130	1	Seal Kit
☆39:1		1	Gasket-Cap, End
☆39:2		1	Ring-Retaining
☆39:3		1	Seal-Lip
☆39:4		2	Ring-Retaining
☆39:5		1	Seal-Lip
☆39:6		1	O-Ring
☆39:7		1	O-Ring
☆39:8		1	Ring-Back Up

☆ Not serviced separately

\* Not illustrated



Sheet No.:8

## Hydraulic and Drive System Assembly

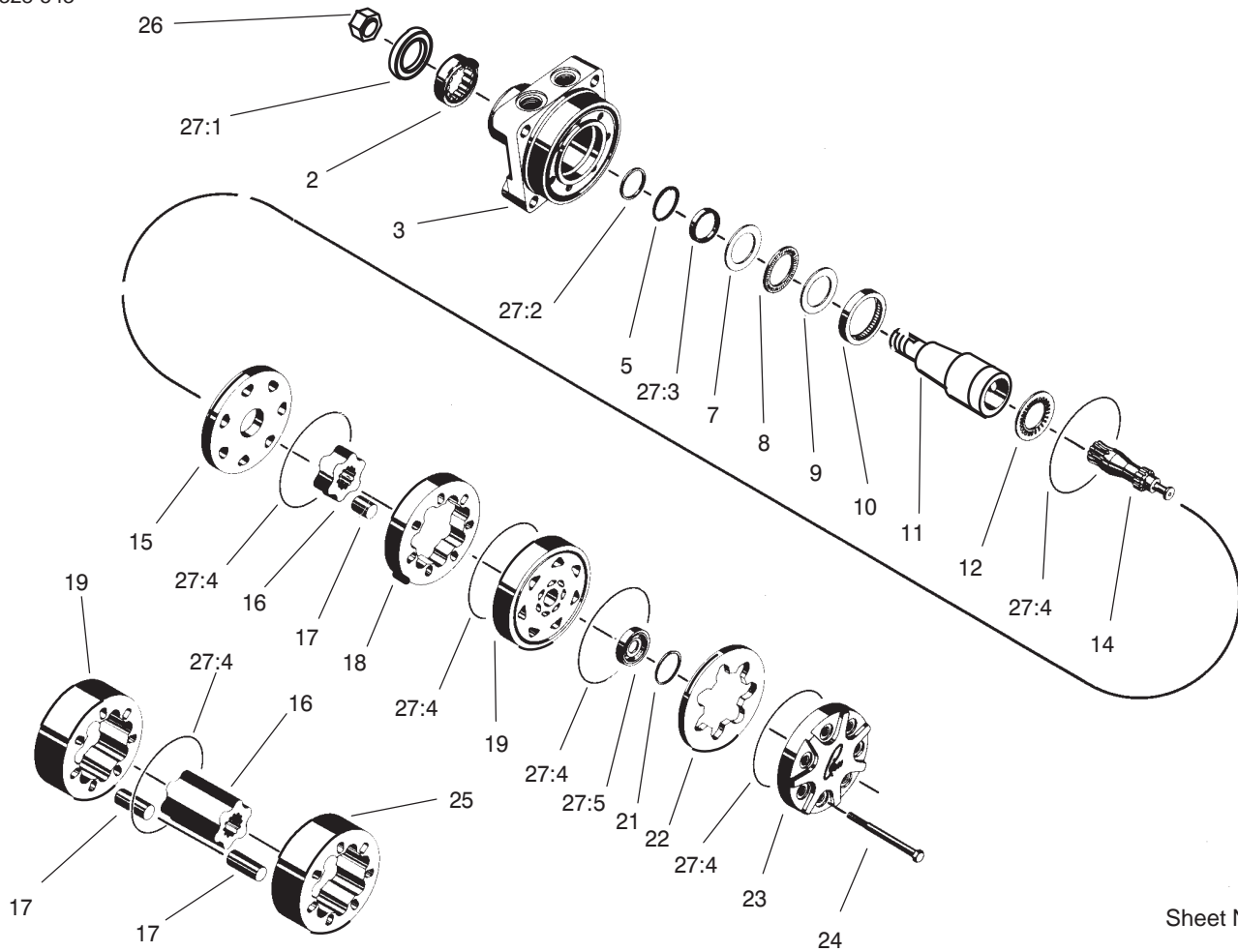
Ref. No.	Part No.	Qty.	Description
1	106-0825	2	HYD Hose ASM
2	106-0824	1	HYD Hose ASM
3	340-4	4	Adapter
3:1	237-30	1	O-Ring
3:2	237-79	1	O-Ring
4	354-1 16	2	Swivel-Pipe, Female
4:1	237-78	1	O-Ring
5	2815-16	1	Fitting-HYD, Tee
6	95-5880	1	HYD Hose ASM
7	82-4170	1	HYD Hose ASM
8	354-1 15	2	Fitting-HYD, 90°
8:1	237-42	1	O-Ring
9	82-4201	1	HYD Hose ASM
10	2815-15	1	Fitting-HYD, Tee
11	76-0200	1	Oil Cap ASM
11:1	76-0240	1	Dipstick
11:2	76-0220	1	Foam-Filter , Oil Cap
11:3	76-0190	1	Cap-Oil
11:4	237-71	1	O-Ring
12	29-0590	1	Screen-Filler
13	95-1532	1	Reservoir-Oil
14	354-1 18	2	Fitting-HYD, 90°
14:1	237-79	1	O-Ring
15	82-4194	2	HYD Hose ASM
16	82-4200	1	HYD Hose ASM
17	3253-4	3	Washer-Lock

Ref. No.	Part No.	Qty.	Description
18	322-3	3	Screw-HH
22	82-8230	2	Wheel Motor ASM
23	340-6	4	Fitting-HYD, Straight
23:1	237-30	1	O-Ring
23:2	237-80	1	O-Ring
24	106-0826	1	HYD Hose ASM
25	3257-8	2	Key-W oodruff
☆26		2	Wheel/Tire ASM
*26:1	232-27	1	Stem-V alve
26:2	242-87	1	Rim-Wheel
26:3	231-1 17	1	Tire
27	242-50	8	Nut-Lug
28	32112-17	8	Pushnut
29	82-3830	2	Hub-Wheel
30	3213-8	8	Screw-HH
31	325-1 1	8	Screw-HH
32	3241-5	4	Screw-Set
33	95-1528	2	Pulley-Pump
34	82-41 10	1	V-Belt
35	80-6090	2	Key-Pump
36	86-4740-01	2	Spacer-Frame
37	86-4730-01	2	Plate-Frame
38	3296-23	8	Nut-Lock, NI
39	67-81 10	2	Cartridge-Filter , Oil
40	354-1 17	2	Fitting-HYD, 90°
40:1	237-79	1	O-Ring

☆ Not serviced separately

\* Not illustrated





Sheet No.:A2  
C-0737

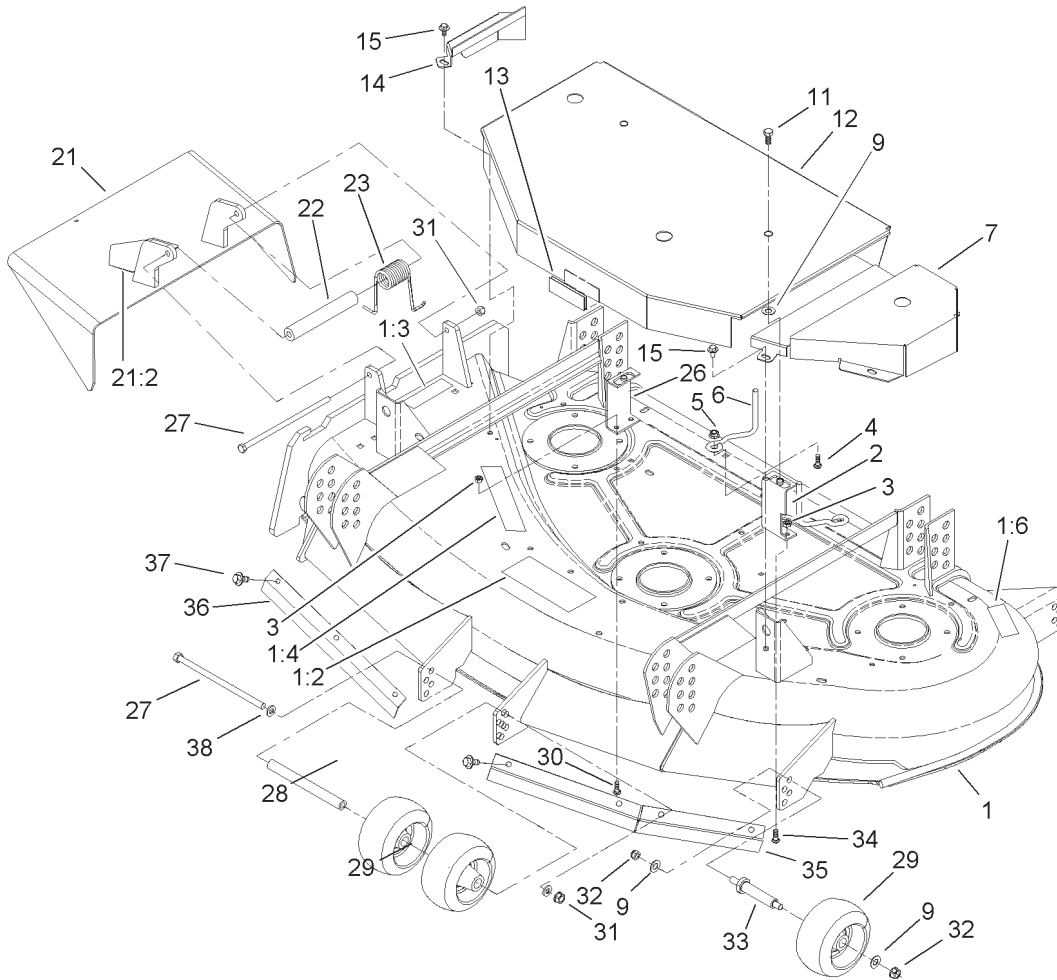
## Wheel motor Assembly No. 82-8230

Ref. No.	Part No.	Qty.	Description
☆2		1	Bearing
☆3		1	Housing
☆5		1	Washer-Back Up
☆7		1	Washer-Thrust
☆8		1	Bearing-Thrust
☆9		1	Washer-Thrust
☆10		1	Bearing-Inner
☆11		1	Coupling-Shaft
☆12		1	Bearing-Thrust
☆14		1	Link-Drive
☆15		1	Plate-W ear
☆16		1	Rotor
☆17		7	Vane
☆18		1	Stator
☆19		1	Manifold
☆21		1	Seal-Commutator
☆22		1	Commutator-Ring
☆23		1	Cover-End
☆24		1	Bolt-Special
☆25		1	Stator-Half
26	85-7310	1	Nut-Motor , Wheel
27	85-7320	1	Seal Kit
☆27:1		1	Seal
☆27:2		1	Washer-Back Up
☆27:3		1	Seal

Ref. No.	Part No.	Qty.	Description
☆27:4		5	O-Ring
☆27:5		1	Commutator

☆ Not serviced separately



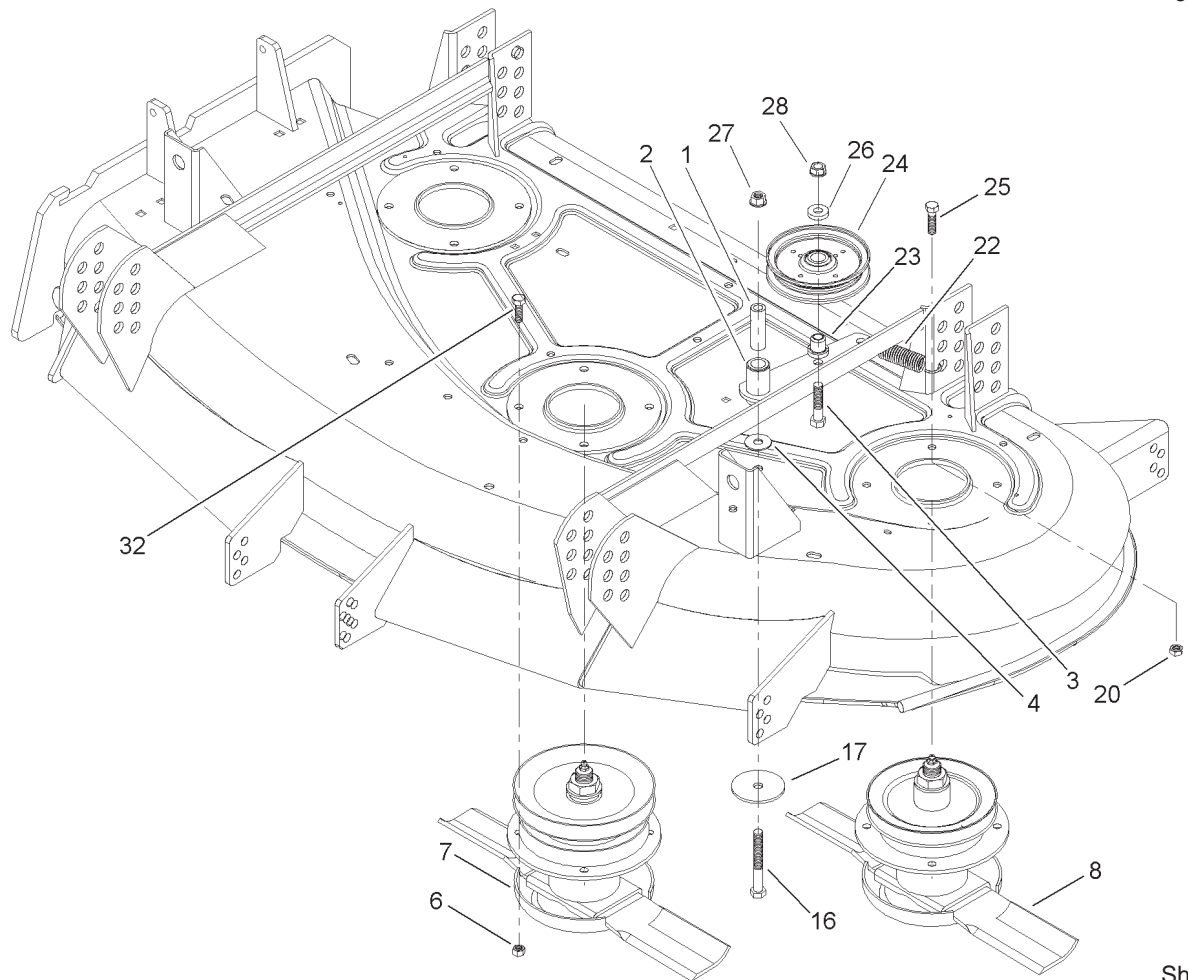


Sheet No.:2

## Deck and Cover Assembly

Ref. No.	Part No.	Qty.	Description
1	106-0748	1	Deck ASM
1:2	93-7824	1	Decal-Danger
1:3	93-7828	1	Decal-Danger
1:4	93-7273	1	Decal-Danger
1:6	93-7818	1	Decal-Torque, Blade Bolt
2	54-3240-03	1	Bracket-Cover , LH
3	3296-42	4	Nut-Lock, NI
4	3230-2	2	Bolt-CARR
5	32128-13	2	Nut-HF
6	52-4780	2	Rod-Belt
7	54-2220-01	1	Cover-Deck, LH
9	3256-24	6	Washer-Flat
11	323-4	2	Screw-HH
12	54-3190-01	1	Cover-Center
13	29-0641	5	Trim-Jif fy
14	54-2250-01	1	Cover-Deck, RH
15	46-8560	5	Screw-HHF
16	3296-5	2	Nut-Lock, NI
21	105-4625	1	Deflector ASM
21:2	93-1 122	1	Decal-Danger
22	105-4622	1	Spacer
23	104-8554	1	Spring-Torsion
26	54-3230-03	1	Bracket-Cover , RH
27	322-50	2	Screw-HH
28	98-5967	1	Spacer

Ref. No.	Part No.	Qty.	Description
29	68-2730	4	Wheel-Gage
30	3229-1	2	Screw-CARR
31	3296-29	2	Nut-Lock, NI
32	3296-39	4	Nut-Lock, NI
33	99-2842	2	Spacer
34	3229-3	2	Screw-CARR
35	99-4578-01	1	Guard-LH
36	99-4579-01	1	Guard-RH
37	32144-14	7	Screw-HWH
38	3256-23	2	Washer-Flat



Sheet No.:3

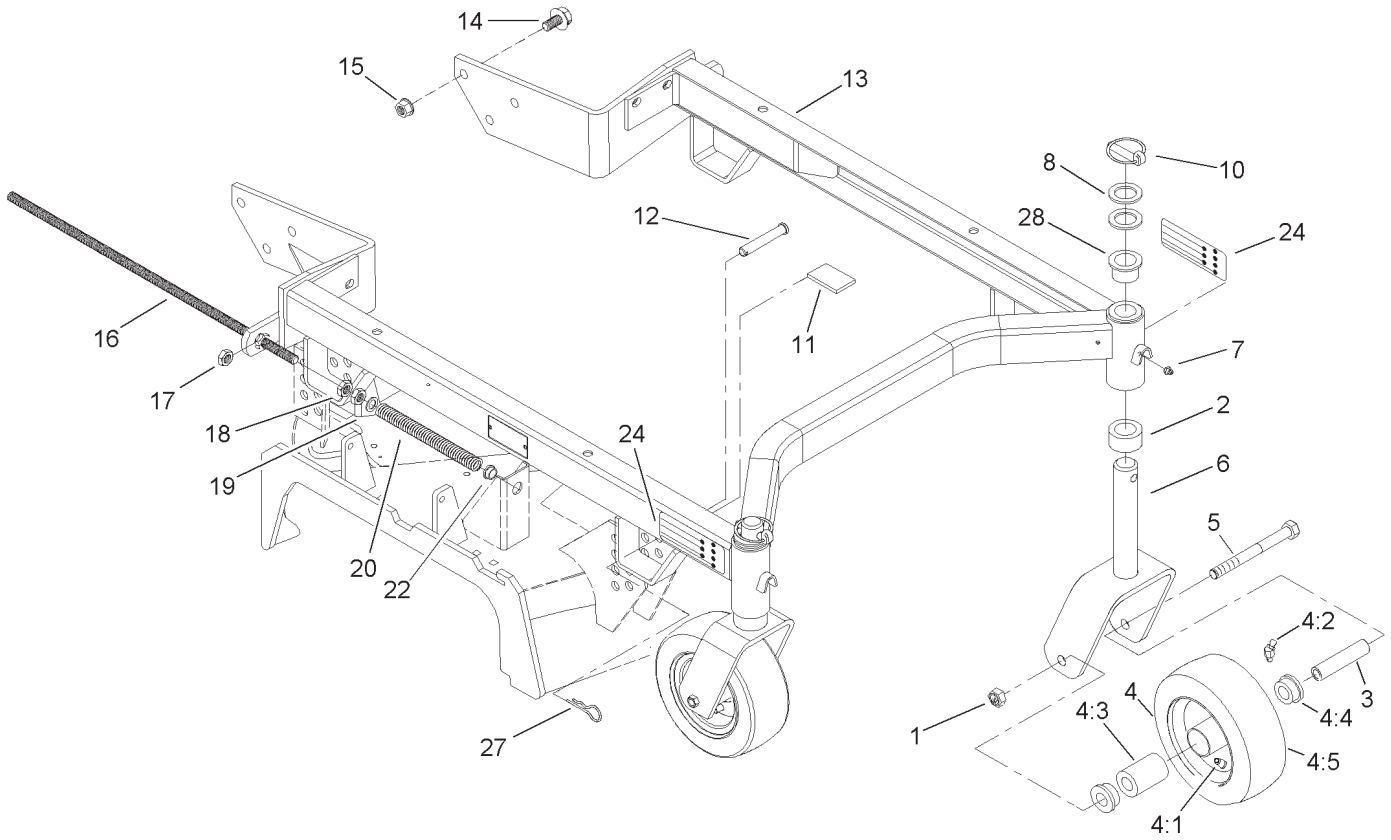
## Spindle and Idler Assembly

Ref. No.	Part No.	Qty.	Description	Ref. No.	Part No.	Qty.	Description
1	79-2760	1	Spacer				
2	92-1657	1	Idler Arm ASM				
3	3211-8	1	Screw-HH				
4	52-2860	1	Washer				
6	32152-1	12	Nut-Lock, NI				
7	67-7600	1	Spindle Housing ASM				
8	67-7660	2	Spindle Housing ASM				
16	323-13	1	Screw-HH				
17	20-9530	1	Washer-End				
20	3218-2	1	Nut-Jam				
22	54-2730	1	Spring-Extension				
23	65-5950	1	Bushing-Pulley				
24	65-5940	1	Pulley-Idler				
25	322-6	1	Screw-HH				
26	7-0081	1	Washer-Flat				
27	32128-19	1	Nut-HF				
28	3296-5	1	Nut-Lock, NI				
32	322-4	11	Screw-HH				









Sheet No.:4

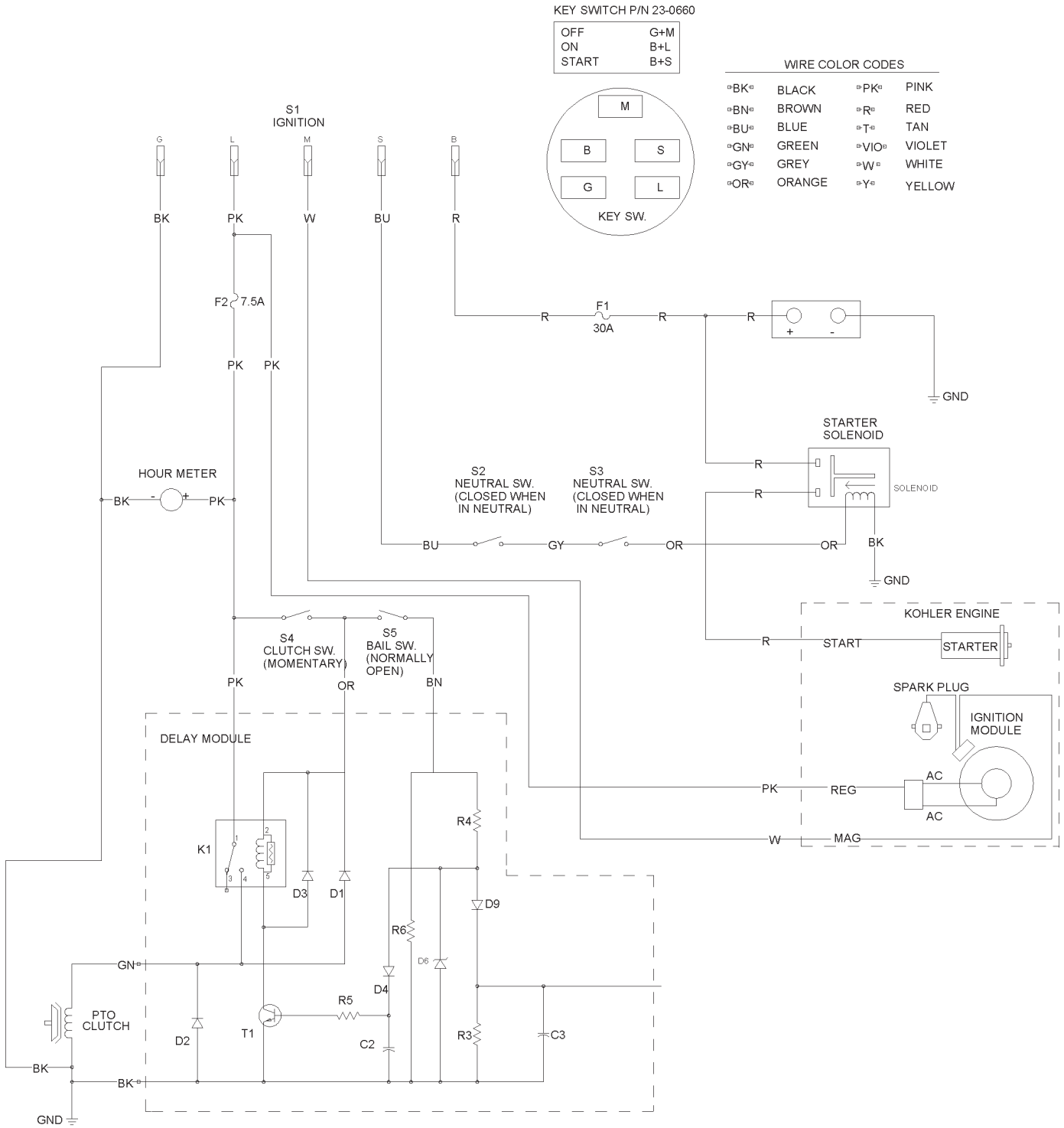
## Carrier Frame Assembly

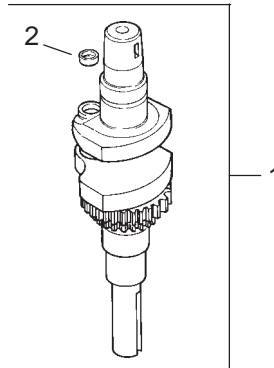
Ref. No.	Part No.	Qty.	Description
1	32153-5	2	Nut-Lock
2	93-1 166	2	Spacer-Castor
3	100-6453	2	Bushing-Spanner
4	100-6451	2	Castor Wheel ASM
4:1	232-27	1	Stem-V alve
4:2	302-1 1	1	Fitting-Lube, 45°
4:3	83-4740	1	Bearing
4:4	62-5580	2	Bearing-Outside
4:5	100-6452	1	Tire-T ubeless
5	325-19	2	Screw-HH
6	100-6455-01	2	Castor Fork ASM
7	302-5	2	Fitting-Grease
8	3-6781	8	Washer-Thrust
10	3290-384	2	Pin-L ynch
11	74-0340	4	Cushion-Rubber
12	283-55	4	Pin-Clevis
13	17-0279-01	1	Carrier Frame ASM
14	3234-6	6	Screw-HHF
15	32128-23	6	Nut-HF
16	74-0310	2	Shaft-Adjusting
17	3296-45	2	Nut-Lock, NI
18	3218-5	4	Nut-Jam
19	41-8440	2	Washer
20	74-0290	2	Spring
22	256-156	2	Bushing-Flange
24	93-7819	2	Decal-HOC

Ref. No.	Part No.	Qty.	Description
27	3290-355	4	Pin-Hair
28	94-1291	4	Bushing-Special



# Electrical Schematic



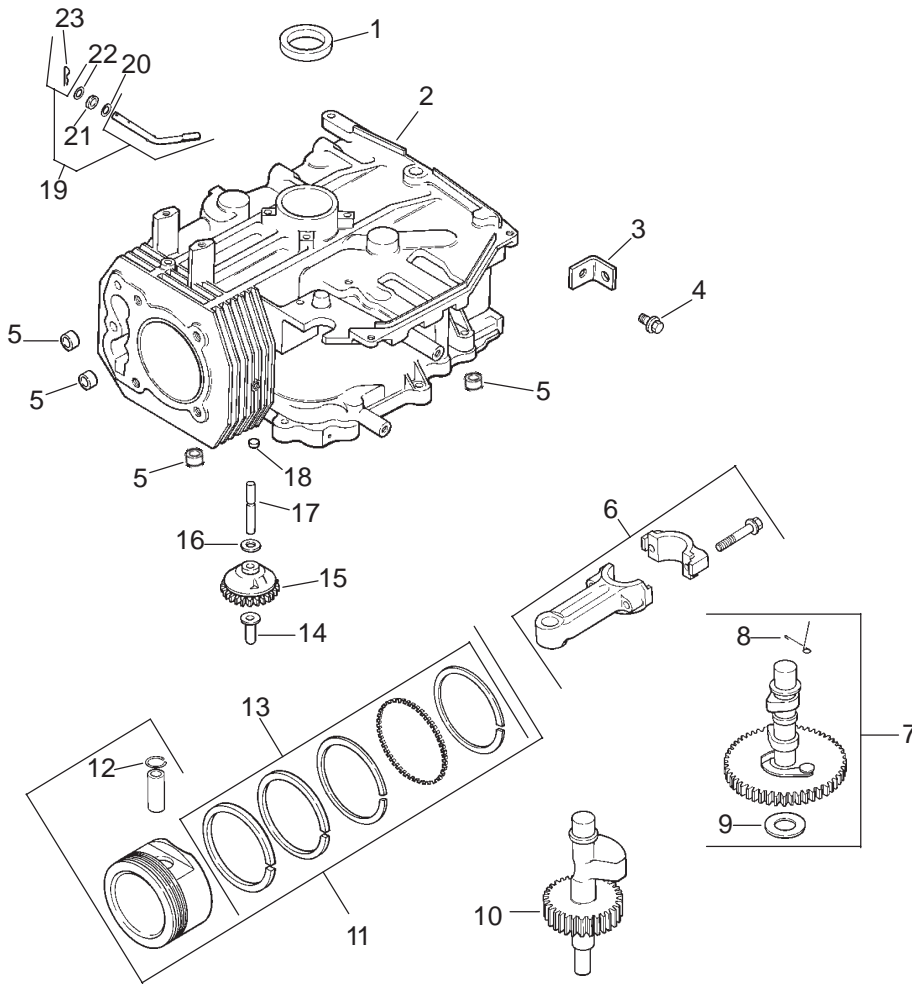


### Crankshaft Assembly (Group 1) Kohler Engine CV15S-41620

Ref. No.	Part No.	Qty.	Description
1	12 014 30-S	1	Crankshaft (Includes 2)
2	12 139 01-S	1	Plug, cup

Ref. No.	Part No.	Qty.	Description

Obtain from Kohler.

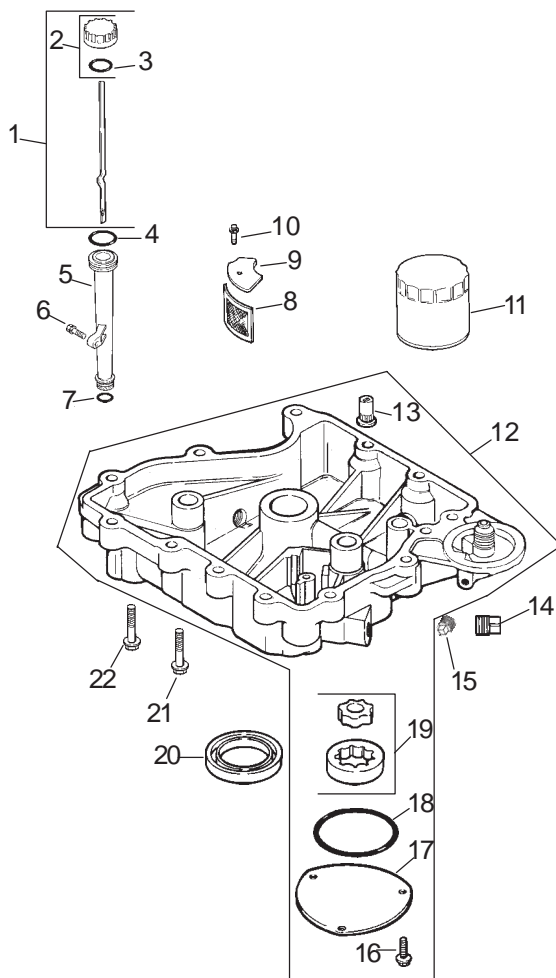


## Crankcase Assembly (Group 2) Kohler Engine CV15S-41620

Ref. No.	Part No.	Qty.	Description
1	12 032 03-S	1	Seal, front oil
2		1	Crankcase (USE: Short Block 12 522 18)
3	12 445 02-S	1	Strap, lifting
4	M-839025-S	1	Screw, hex. flange M8x1.25x25
5	24 380 13-S	4	Pin, locating
6	12 067 05-S	1	Connecting Rod (Std.)
	12 067 06-S	1	Connecting Rod (.25)
7	12 755 49-S	1	Kit, camshaft (Includes 8,9)
8	12 089 31-S	1	Spring, actuating
9	12 422 08-S	AR	Shim, camshaft-blue
	12 422 09-S	AR	Shim, camshaft-red
	12 422 10-S	1	Shim, camshaft-yellow
	12 422 11-S	AR	Shim, camshaft-green
	12 422 12-S	AR	Shim, camshaft-gray
	12 422 13-S	AR	Shim, camshaft-black
	12 422 07-S	AR	Shim, camshaft-white
10	12 144 27-S	1	Shaft, balance
11	12 874 07-S	1	Piston w/Ring Set (Std.) (Includes 12,13)
	12 874 11-S	1	Piston w/Ring Set (.08)

Ref. No.	Part No.	Qty.	Description
	12 874 08-S	1	Piston w/Ring Set (.25)
	12 874 09-S	1	Piston w/Ring Set (.50)
12	12 018 02-S	2	Retainer, piston pin
13	12 108 07-S	1	Ring Set (Std. & .08)
	12 108 08-S	1	Ring Set (.25)
	12 108 09-S	1	Ring Set (.50)
14	12 380 01-S	1	Pin, governor regulating
15	12 043 05-S	1	Gear, governor
16	M-631005-S	1	Washer, plain 6 mm
17	12 144 02-S	1	Shaft, governor gear
18	52 139 09-S	1	Plug, cup
19	12 755 64-S	1	Kit, governor cross shaft w/clip (Includes 23)
20	X-25-102-S	1	Washer, plain 1/4
21	12 032 01-S	1	Seal, governor cross shaft
22	M-631015-S	1	Washer, plain 6 mm
23	12 154 05-S	1	Clip, hitch pin

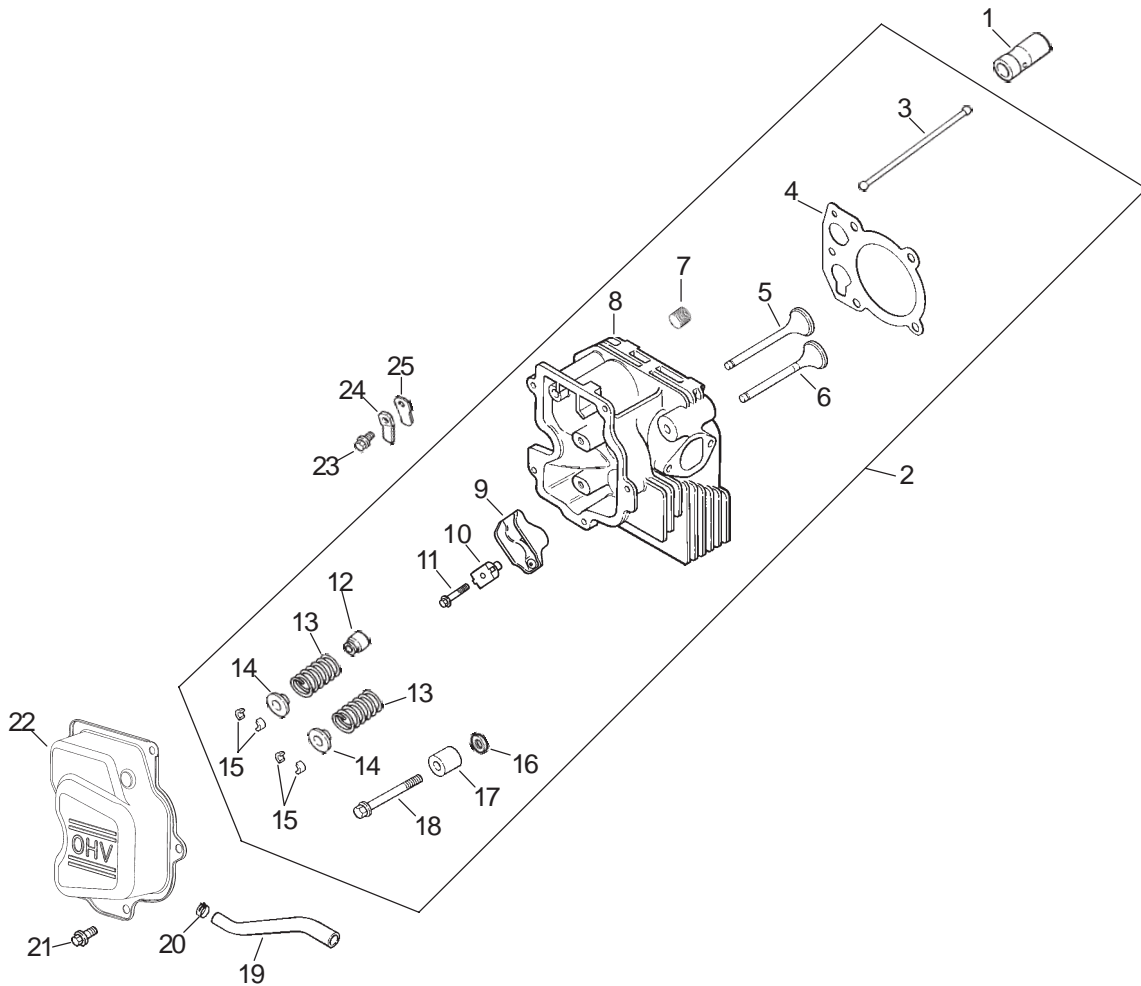
Obtain from Kohler.



## Oil Pan and Lubrication Assembly (Group 3) Kohler Engine CV15S-41620

Ref. No.	Part No.	Qty.	Description	Ref. No.	Part No.	Qty.	Description
1	12 038 01-S	1	Dipstick assembly (Includes 2,3)	16	M-545016-S	3	Screw, hex. flange M5x0.8x16
2	25 755 13-S	1	Kit, oil fill cap (Includes 3)	17	12 096 34-S	1	Cover, oil pump
3	25 153 02-S	1	O-Ring, dipstick	18	12 153 06-S	1	O-Ring, oil pump cover
4	12 153 02-S	1	O-Ring, upper oil fill tube	19	12 393 01-S	1	Pump assembly, oil
5	12 123 04-S	1	Tube, oil fill	20	12 032 03-S	1	Seal, oil (P.T.O. end)
6	M-545020-S	1	Screw, hex. flange M5x0.8x20	21	24 086 16-S	10	Screw, hex. flange M8x1.25x45
7	12 153 01-S	1	O-Ring, lower oil fill tube	22	24 086 17-S	1	Screw, hex. flange M8x1.25x45
8	25 162 07-S	1	Screen, oil pickup				
9	12 096 03-S	1	Cover, oil pickup screen				
10	M-545016-S	1	Screw, hex. flange M5x0.8x16				
11	52 050 02-S	1	Filter, oil				
12	12 199 50-S	1	Pan assembly, oil (Includes 13, 16-19)				
13	25 462 09-S	1	Valve, oil pressure relief				
14	25 139 57-S	2	Plug, pipe 3/8" sq. hd.				
15	25 139 52-S	1	Plug, pipe 1/8" sq. hd.				

Obtain from Kohler.



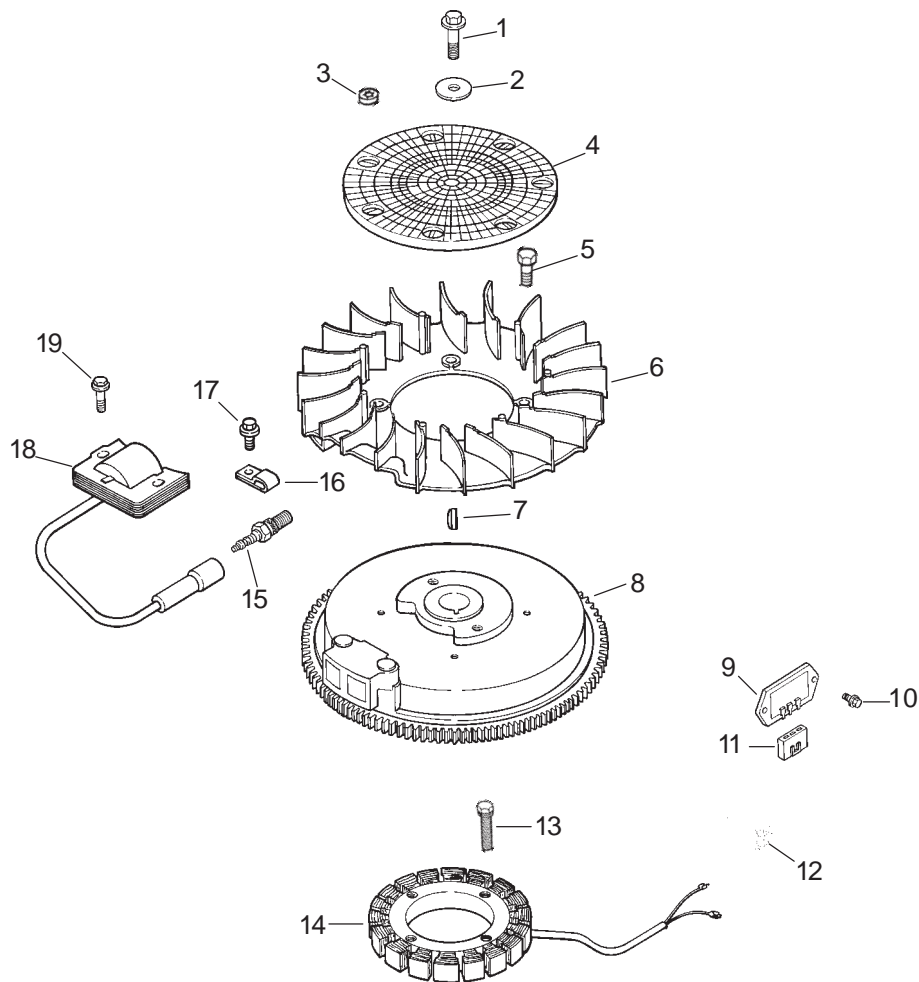
## Head, Valve and Breather Assembly (Group 4) Kohler Engine CV15S-41620

Ref. No.	Part No.	Qty.	Description
1	25 351 01-S	2	Lifter, valve
2	12 755 81-S	1	Kit, cylinder head (Includes 3-18, carburetor gasket 12 041 01-S (2), air cleaner base gasket 12 041 02-S, & exhaust manifold gasket 12 041 03-S)
3	12 411 04-S	2	Rod, push
4	12 041 10-S	1	Gasket, cylinder head
5	12 017 01-S	1	Valve, intake (Std.)
6	12 016 01-S	1	Valve, exhaust (Std.)
7	25 139 60-S	1	Plug, pipe hex. ctsk. 1/8 N.P.T.F.
8	12 318 19-S	1	Cylinder Head
9	25 186 01-S	2	Arm, rocker
10	12 599 03-S	2	Pivot, rocker arm
11	M-640034-S	2	Screw, hex. flange M6x1.0x34
12	66 032 05-S	2	Seal, valve stem
13	12 089 34-S	2	Spring, valve
14	12 173 01-S	2	Cap, valve spring
15	12 755 03-S	2	Kit, retainer

Ref. No.	Part No.	Qty.	Description
16	12 468 05-S	1	Washer, plain 13/32
17	12 112 13-S	1	Spacer, head bolt exhaust port
18	20 086 02-S	5	Screw, hex. flange M10x1.5x81
19	25 237 14-S	2	Clamp, hose 11/16
20	12 326 18-S	1	Hose, breather
21	M-645016-S	5	Screw, hex. flange M6x1.0x16
22	12 096 47-S	1	Cover, valve
23	M-545010-S	1	Screw, hex. flange M5x0.8x10
24	12 018 01-S	1	Retainer, breather reed
25	12 402 02-S	1	Reed, breather
NOT ILLUSTRATED			
	12 017 02-S	1	Valve, intake (.25)
	12 016 02-S	1	Valve, exhaust (.25)
	12 041 01-S	1	Gasket, carburetor
	12 041 02-S	1	Gasket, air cleaner base
	12 041 03-S	1	Gasket, exhaust manifold

Obtain from Kohler.

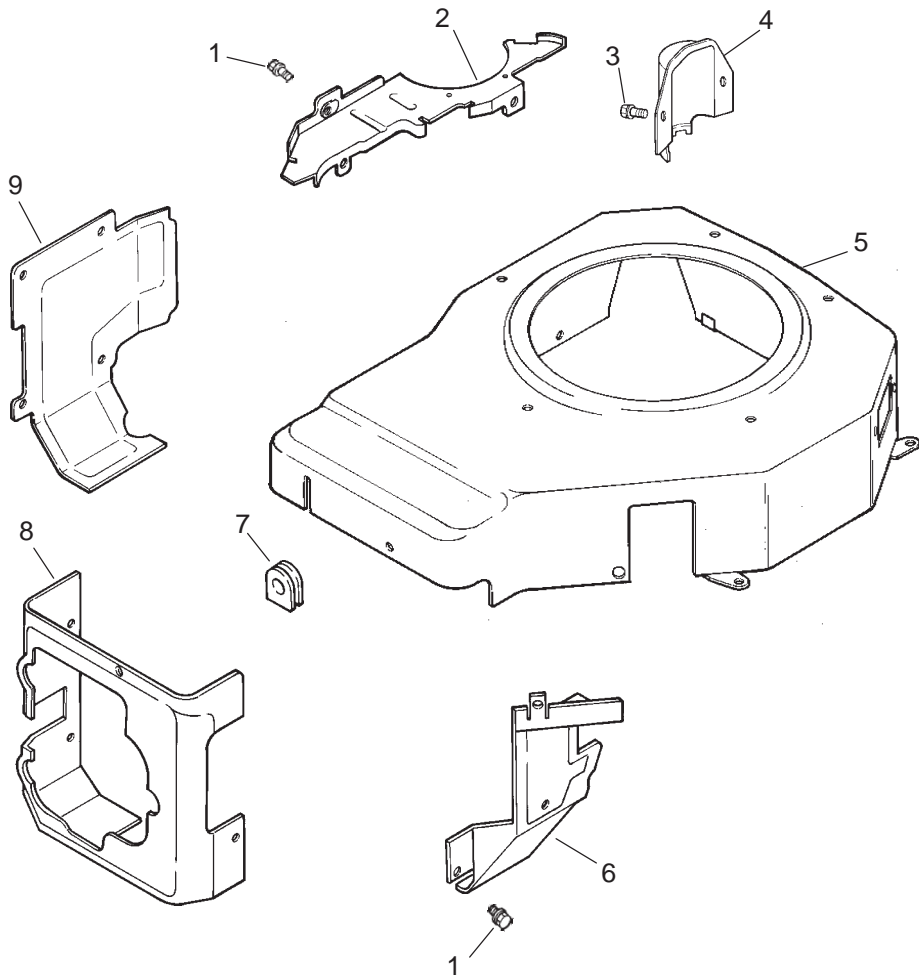




## Ignition and Electrical Assembly (Group 5) Kohler Engine CV15S-41620

Ref. No.	Part No.	Qty.	Description	Ref. No.	Part No.	Qty.	Description
1	12 086 14-S	1	Screw, hex. flange M10x1.5x46	18	12 584 04-S	1	Module, ignition
2	12 468 03-S	1	Washer, plain 3/8	19	M-545020-S	2	Screw, hex. flange M5x0.8x20
3	24 018 03-S	3	Retainer, grass screen	NOT ILLUSTRATED			
4	24 162 03-S	1	Screen, grass		X-22-1 1-S	1	Washer, lock 1/4"
5	25 086 47-S	4	Bolt, shoulder M6x1.0x25		12 518 01-S	1	Lead, white (19"-18 gauge-fully insulated female terminal and uninsulated female terminal)
6	12 157 06-S	1	Fan		25 518 05-S		Lead, red (20"-18 gauge- uninsulated female terminals)
7	X-42-15-S	1	Key		24 518 12-S	1	Lead, black (6"-12 gauge insulated grip barrel eyelet Terminal)
8	12 025 33-S	1	Flywheel				
9	41 403 09-S	1	Rectifier-regulator				
10	M-639016-S	2	Screw, hex. flange M6x1.0x16				
11	236602-S	1	Connector				
12	41 155 03-S	1	Connector				
13	M-548025-S	2	Screw, hex. cap M50.8x25				
14	237878-S	1	Kit, stator (Includes: 25 452 01-S)				
15	12 132 06-S	1	Spark Plug				
16	X-728-1-S	2	Clip, cable				
17	M-545010-S	2	Screw, hex. flange M5x0.8x10				

Obtain from Kohler.



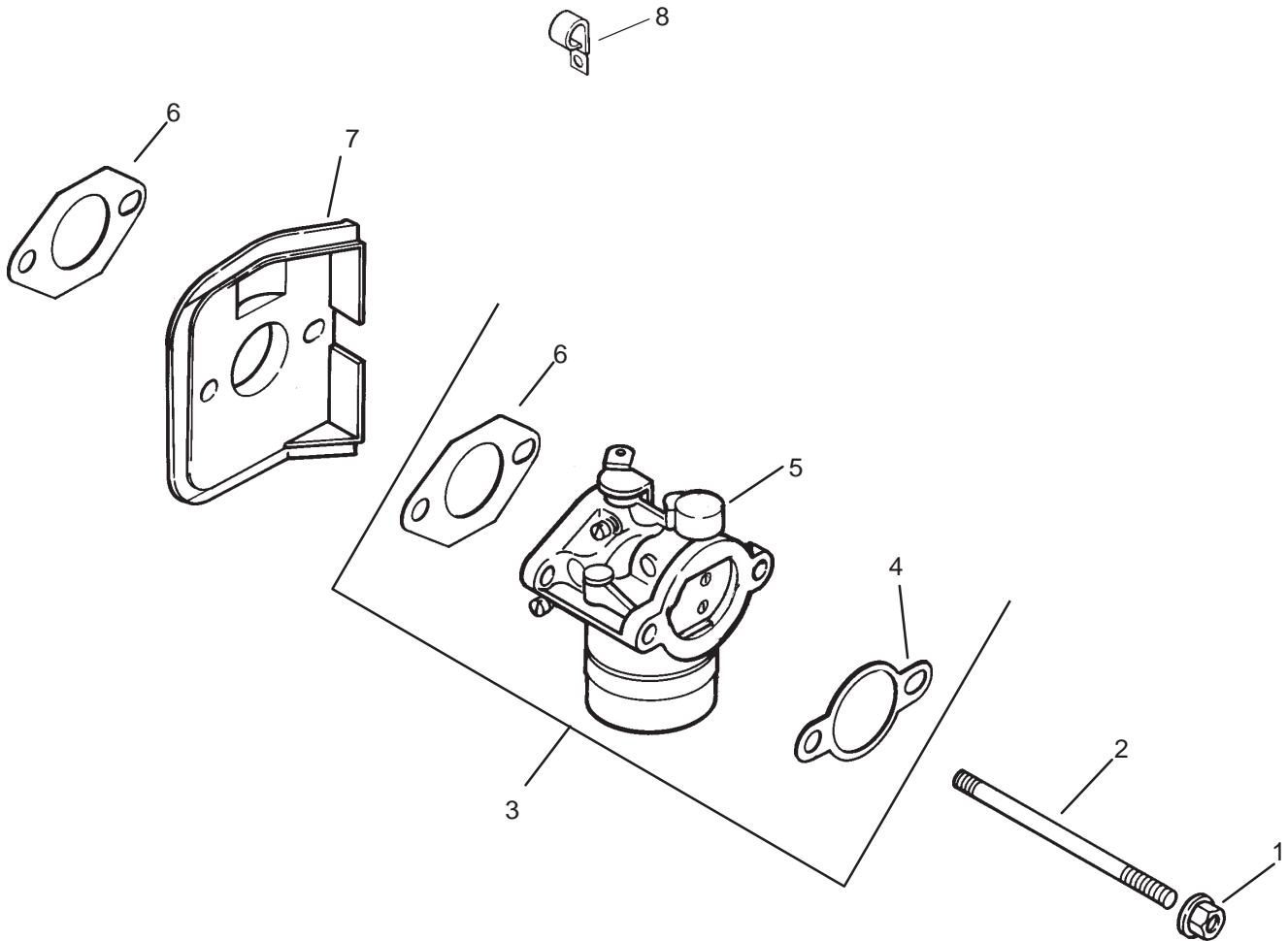
## Blower Housing and Baffle Assembly (Group 6) Kohler Engine CV15S-41620

Ref. No.	Part No.	Qty.	Description
1	M-545010-S	5	Screw, hex. flange M5x0.8x10
2	12 146 07-S	1	Plate, blower housing
3	M-550010-S	2	Screw, hex. flange M5x0.8x10
4	24 096 05-S	1	Cover, pinion
5	12 027 55-S	1	Housing, blower
6	12 063 10-S	1	Baffle, intake side
7	12 313 03-S	1	Grommet, spark plug
8	12 063 08-S	1	Baffle, cylinder head
9	12 063 19-S	1	Baffle, cylinder

Ref. No.	Part No.	Qty.	Description

Obtain from Kohler.

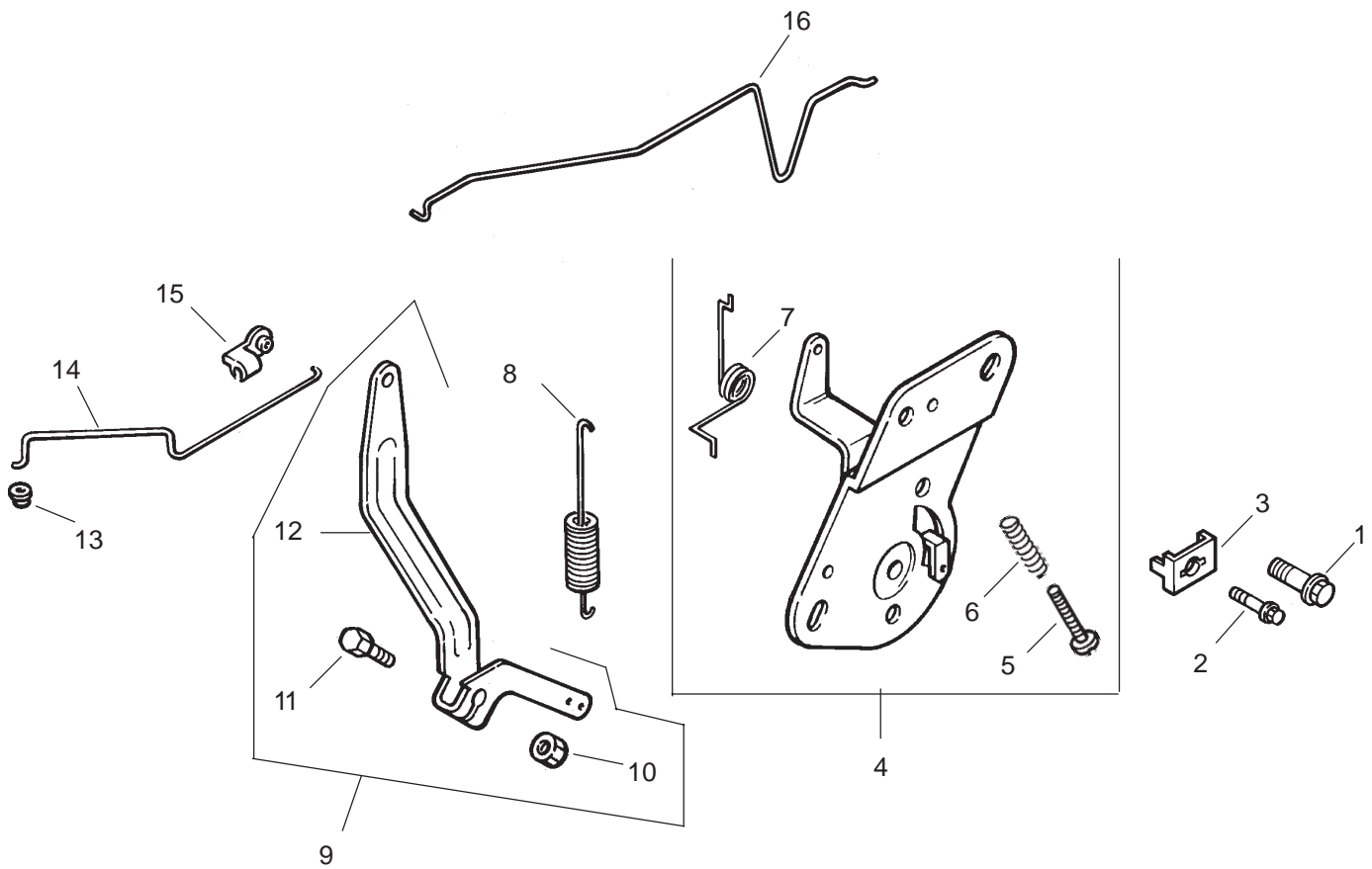




## Fuel System Assembly (Group 8) Kohler Engine CV15S-41620

Ref. No.	Part No.	Qty.	Description	Ref. No.	Part No.	Qty.	Description
1	M-641060-S	2	Nut, hex. flange M6x1.0		12 755 92-S	1	Kit, high altitude w/gaskets
2	M-6291 16-S	2	Stud, M6x1.0x116				
3	12 853 139-S	1	Kit, carburetor w/gasket (Includes 4-6 [qty. 1])				
4	12 041 02-S	1	Gasket, air cleaner				
5	12 053 139	1	Carburetor assembly (Includes 12 75702-S, 12 757 03-S, & 12 755 92-S) (For information only not available separately)				
6	12 041 01-S	2	Gasket, carburetor				
7	12 265 04-S	1	Deflector, heat				
8	47 154 01-S	1	Clip, cable				
NOT ILLUSTRATED							
	12 757 02-S	1	Kit, float				
	12 757 03-S	1	Kit, carburetor repair				
	12 757 08-S	1	Kit, choke repair				
	12 757 36-S	1	Kit, throttle shaft bearing & seal				

Obtain from Kohler.

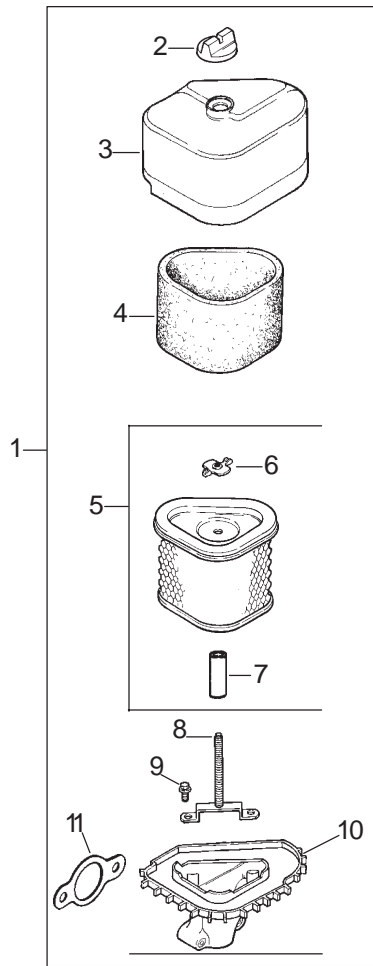


## Engine Control Assembly (Group 9) Kohler Engine CV15S-41620

Ref. No.	Part No.	Qty.	Description
1	M-664020-S	2	Screw, lobed socket M6x1.0x20
2	M-545016-S	1	Screw, hex. flange M5x0.8x16
3	12 237 01-S	1	Clamp, cable
4	12 536 01-S	1	Control, speed assembly (Includes 5-7)
5	12 086 39-S	1	Screw, pan hd. w/loctite
6	12 089 11-S	1	Spring, speed control
7	12 089 23-S	1	Spring, choke return
8	12 089 19-S	1	Spring, governor
9	12 755 83-S	1	Kit, governor lever (Includes 10-12)
10	12 100 07-S	1	Nut, hex. flange 1/4-20
11	52 211 04-S	1	Bolt, round head
12	12 090 28-S	1	Lever, governor
13	25 158 08-S	1	Bushing, linkage retaining
14	12 079 01-S	1	Linkage, throttle
15	25 158 11-S	1	Bushing, throttle linkage
16	12 079 07-S	1	Linkage, choke

Ref. No.	Part No.	Qty.	Description

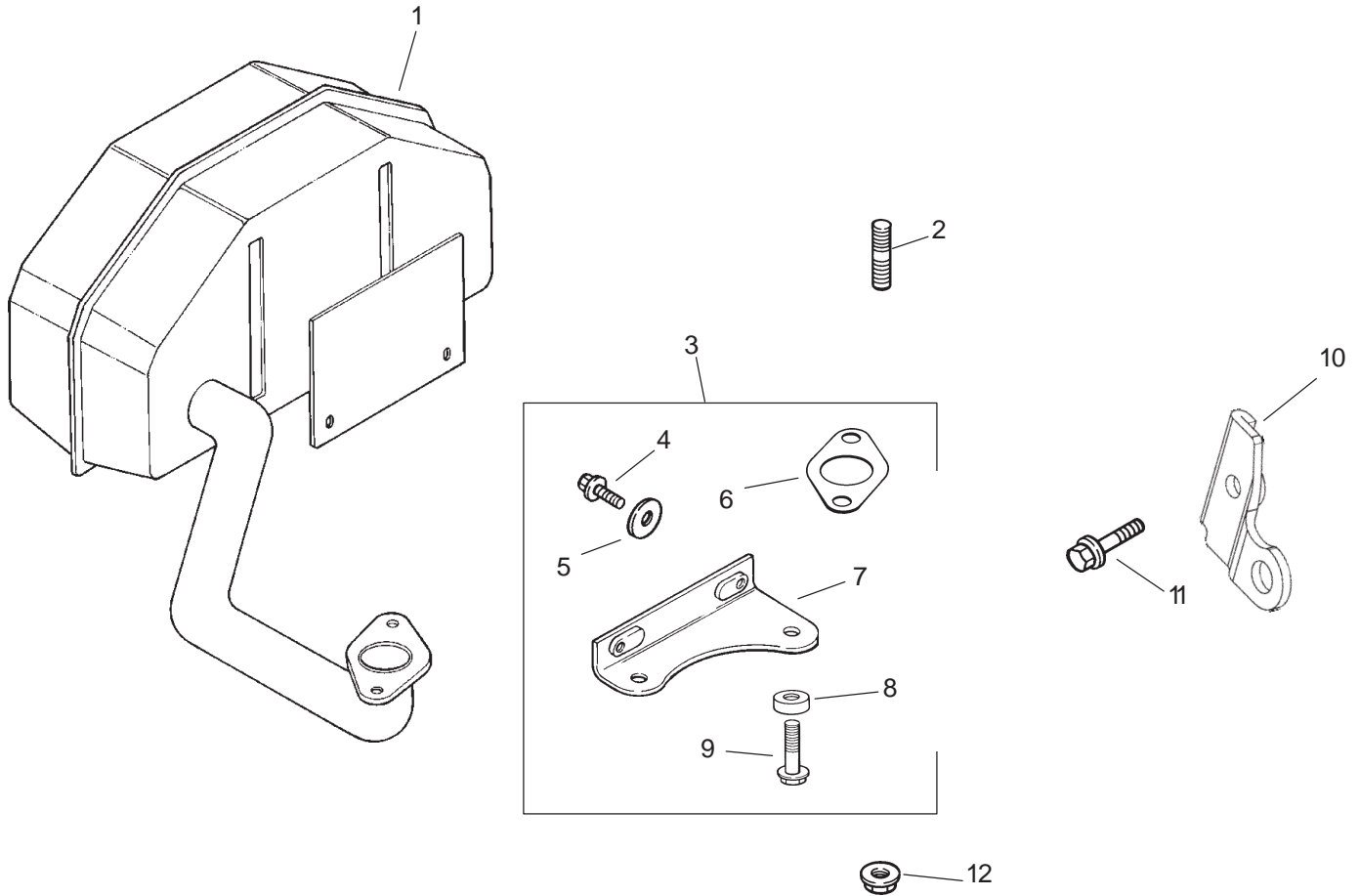
Obtain from Kohler.



## Air Intake and Filtration Assembly (Group 10) Kohler Engine CV15S-41620

Ref. No.	Part No.	Qty.	Description	Ref. No.	Part No.	Qty.	Description
1	12 743 04-S	1	Kit, air cleaner (Includes 2-11)				
2	25 341 03-S	1	Knob, air cleaner cover				
3	12 096 44-S	1	Cover, air cleaner				
4	12 083 12-S	1	Element, precleaner				
5	12 083 10-S	1	Element, air cleaner (Includes 6)				
6	12 100 01-S	1	Wing Nut				
7	12 032 11-S	1	Seal				
8	12 072 04-S	1	Stud M6x1.0x66				
9	12 086 01-S	2	Screw, #10 Hi-Lo thread forming				
10	12 094 14-S	1	Base, air cleaner				
11	12 041 02-S	1	Gasket, air cleaner				

Obtain from Kohler.



### Exhaust Assembly (Group 11) Kohler Engine CV15S-41620

Ref. No.	Part No.	Qty.	Description
1	12 068 35-S	1	Muffler
2	25 072 04-S	2	Stud M8x1.25x33
3	12 755 30-S	1	Kit, bracket (Includes 4-9)
4	M-650012-S	1	Screw, hex. flange
5	X-25-52-S	2	Washer, plain
6	12 041 03-S	1	Gasket, exhaust manifold
7	12 126 55-S	1	Bracket, muffler
8	12 468 01-S	1	Washer
9	12 086 13-S	1	Screw, hex. flange
10	12 126 87-S	1	Bracket, lifting strap
11	M-645020-S	1	Screw, hex. flange M6x1.0x20
12	M-841080-S	1	Nut, hex. flange M8x1.25
NOT ILLUSTRATED	12 522 18	1	Short Block
	12 755 93-S	1	Gasket Set

Ref. No.	Part No.	Qty.	Description

Obtain from Kohler.

