



## 1638XL and 1638XLE

### Wheel Horse<sup>®</sup> Lawn Tractor

Model No. 71223-230000001 and Up

Model No. 71226-230000001 and Up

## Parts Catalog

### Ordering Replacement Parts

To order replacement parts, please supply: the part number, the quantity, and the description of each part desired.

### Understanding Reference Numbers

Each identified part in an illustration has a reference number. The reference number for a part also appears in the parts list, along with other information about the part.

This catalog uses two special reference number formats, one to indicate parts in a service assembly and another to indicate the quantity of a given part in an illustration.

### Service Assembly Reference Numbers

Parts in service assemblies have reference numbers in the form **a:b**. The **a** represents the reference number of the entire service assembly and the **b** represents a sequential number unique to each part within the service assembly.

For example, a wheel assembly might be identified by reference number **6**, the tire by **6:1**, the valve by **6:2**, and the wheel by **6:3**. When you order the assembly identified by reference number **6**, you receive all parts identified by reference numbers **6:1**, **6:2**, and **6:3**. However, you may also order any part individually.

Reference numbers of this type appear in illustrations and in part lists.

### Reference Numbers Indicating Quantity

In an illustration, if a reference number indicates more than one part, the reference number has the form **nX y**. The **n** represents the quantity of the part, the **X** is the multiplication symbol, and the **y** represents the reference number.

For example, in an illustration, the reference number **2X 37** means that two of the parts identified by reference number **37** are indicated.

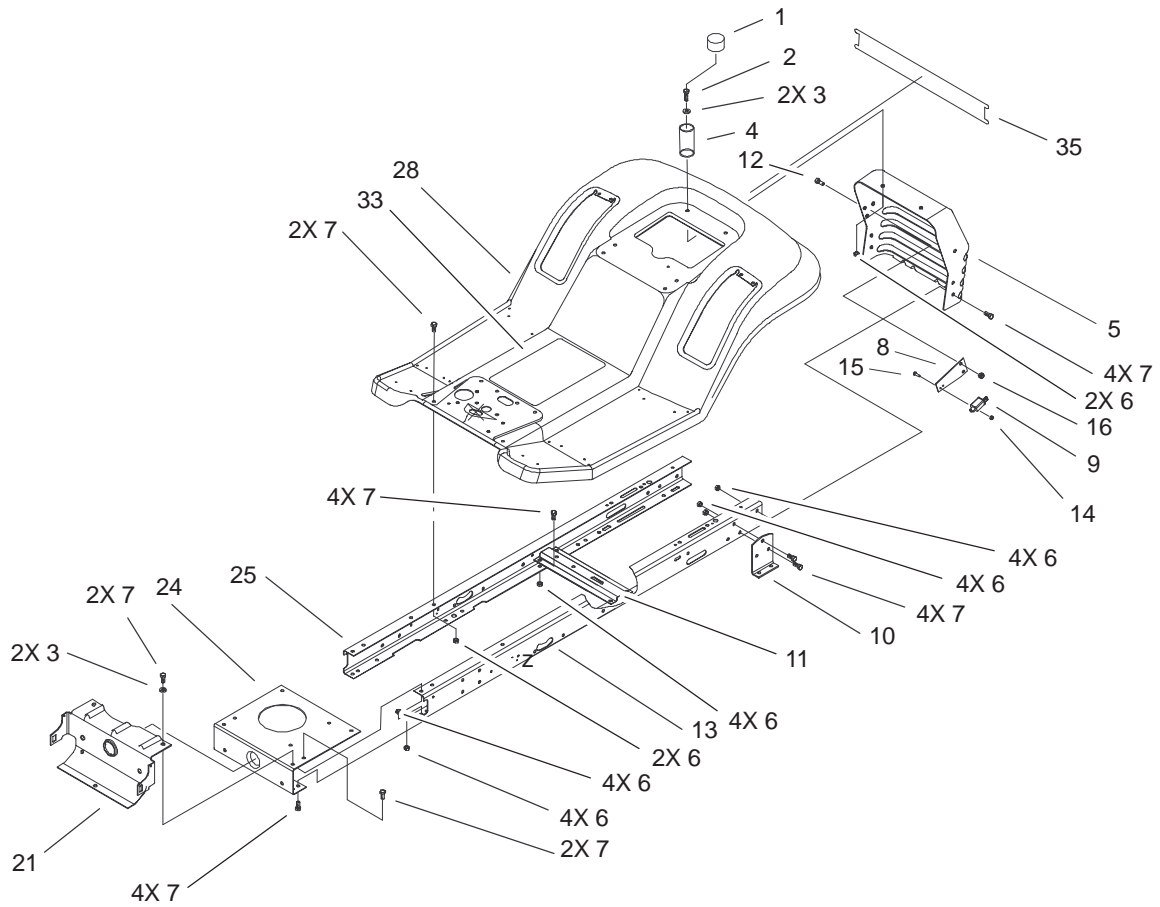
## Contents

Description	Page	Description	Page
Frame and Body Assembly .....	3	Crankcase Assembly	
Hood and Tower Assembly .....	4	Engine Briggs and Stratton Model	
Rear Body and Seat Assembly .....	5	286H77-0121-E1 .....	25
Steering Assembly .....	6	Oil Filter, Tube and Pump Assembly	
Fixed Steering Assembly .....	8	Engine Briggs and Stratton Model	
Engine Assembly .....	9	286H77-0121-E1 .....	26
Traction Clutching Assembly .....	10	Carburetor Assembly	
Shift Assembly .....	11	Engine Briggs and Stratton Model	
5 Speed Transaxle .....	12	286H77-0121-E1 .....	27
38in Deck Assembly .....	13	Air Cleaner Assembly	
38in Deck Blade Drive and Braking Assembly ..	15	Engine Briggs and Stratton Model	
38in Deck Engagement Assembly .....	16	286H77-0121-E1 .....	28
Height of Cut Assembly .....	17	Governor Assembly	
Electrical Assembly .....	18	Engine Briggs and Stratton Model	
Peerless Transaxle Model MST 205-509 .....	20	286H77-0121-E1 .....	29
Electrical Schematic .....	21	Blower Housing Assembly	
Cylinder Assembly		Engine Briggs and Stratton Model	
Engine Briggs and Stratton Model		286H77-0121-E1 .....	30
286H77-0121-E1 .....	22	Starter Assembly	
Cylinder Head Assembly		Engine Briggs and Stratton Model	
Engine Briggs and Stratton Model		286H77-0121-E1 .....	31
286H77-0121-E1 .....	23	Gasket Assembly	
Crankshaft Assembly		Engine Briggs and Stratton Model	
Engine Briggs and Stratton Model		286H77-0121-E1 .....	32
286H77-0121-E1 .....	24	Carburetor Overhaul Kit Assembly	
		Engine Briggs and Stratton Model	
		286H77-0121-E1 .....	33

## Part Description Abbreviations

Part descriptions in this catalog may include the following abbreviations.

Abbreviation	Meaning	Abbreviation	Meaning
AR .....	as required	HYD .....	hydraulic
ASM .....	assembly	INC .....	incorporated
CARR .....	carriage	LH .....	left hand
DEG .....	degrees	NI .....	nylon insert
FH .....	flat head	PPH .....	Phillips pan head
GA .....	gauge	PTH .....	Phillips truss head
HF .....	hex flange	PTO .....	power take off
HH .....	hex head	RH .....	right hand
HHF .....	hex head flange	SFH .....	slotted fillister head
HLH .....	hex lag head	SHH .....	slotted hex head
HJ .....	hex jam	SQH .....	square head
HOC .....	height-of-cut	SHWH .....	slotted hex washer head
HS .....	hex socket	SPH .....	slotted pan head
HSBH .....	hex socket button head	SRH .....	slotted round head
HSFH .....	hex socket flat head	STD .....	standard
HSH .....	hex socket head	TAP .....	self tapping
HWH .....	hex washer head	TTH .....	Torx truss head
HWHTF .....	hex washer head thread forming	WH .....	wing head

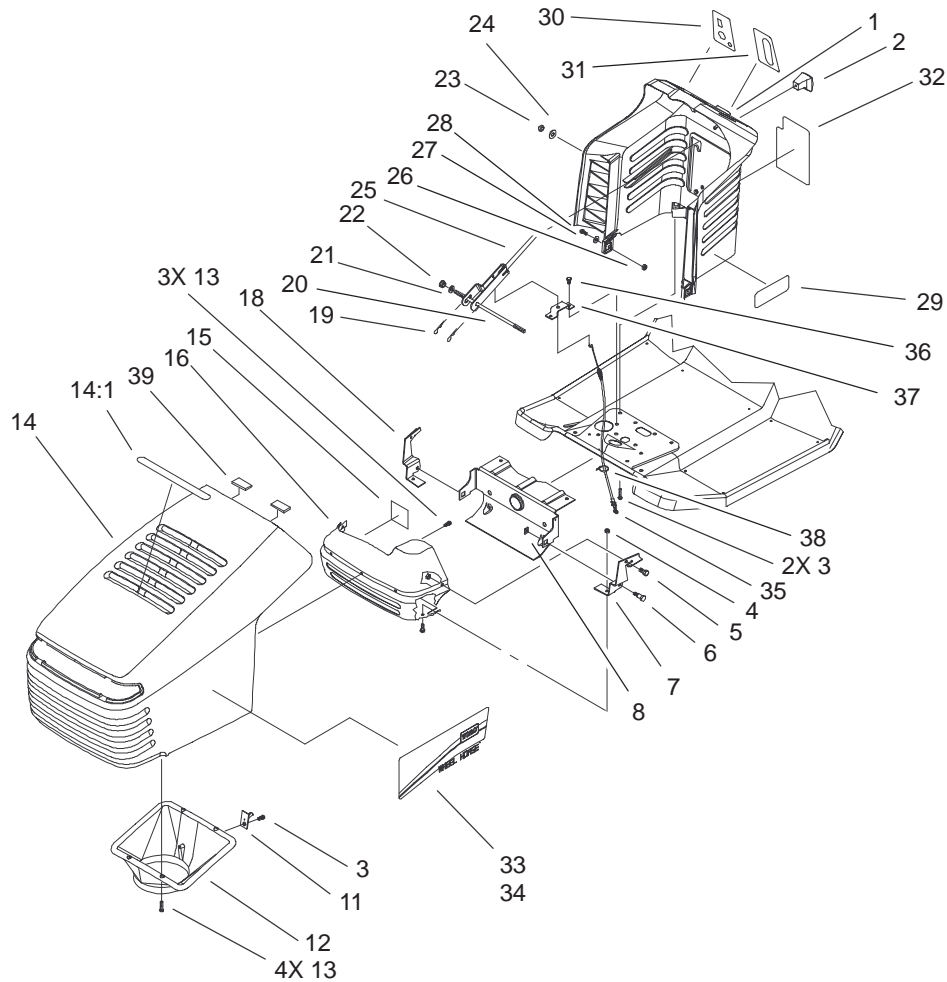


Sheet No.:2

## Frame and Body Assembly

Ref. No.	Part No.	Qty.	Description
1	701178	2	Cap-Protector
2	322-5	2	Screw-HH
3	3256-23	4	Washer-Flat
4	88-6220	2	Spring-Compression
5	99-2957-03	1	Panel-Rear, Hitch
6	3296-29	24	Nut-Lock, NI
7	322-3	22	Screw-HH
8	99-2953-03	1	Plate-Switch
9	95-1653	1	Switch-Pole, Single
10	88-5260-03	2	Bracket-Transaxle, Mounting
11	88-4620-03	1	Bracket-Idler, Pivot
12	322-3	2	Screw-HH
13	99-2958-03	1	Rail-Frame, LH
14	3296-1	2	Nut-Lock NI
15	3290-392	2	Screw-HHF
16	3296-29	2	Nut-Lock, NI
21	98-3575-03	1	Support-Front, Axle
24	88-4630-03	1	Plate-Engine, Mounting
25	99-2959-03	1	Rail-Frame, RH
28	99-2971	1	Rear Body ASM
33	93-6675	1	Decal-Gear (only on: 71226)

Ref. No.	Part No.	Qty.	Description
33	99-6094	1	Decal-Instruction (only on: 71223)
35	105-2498	1	Decal-Rear

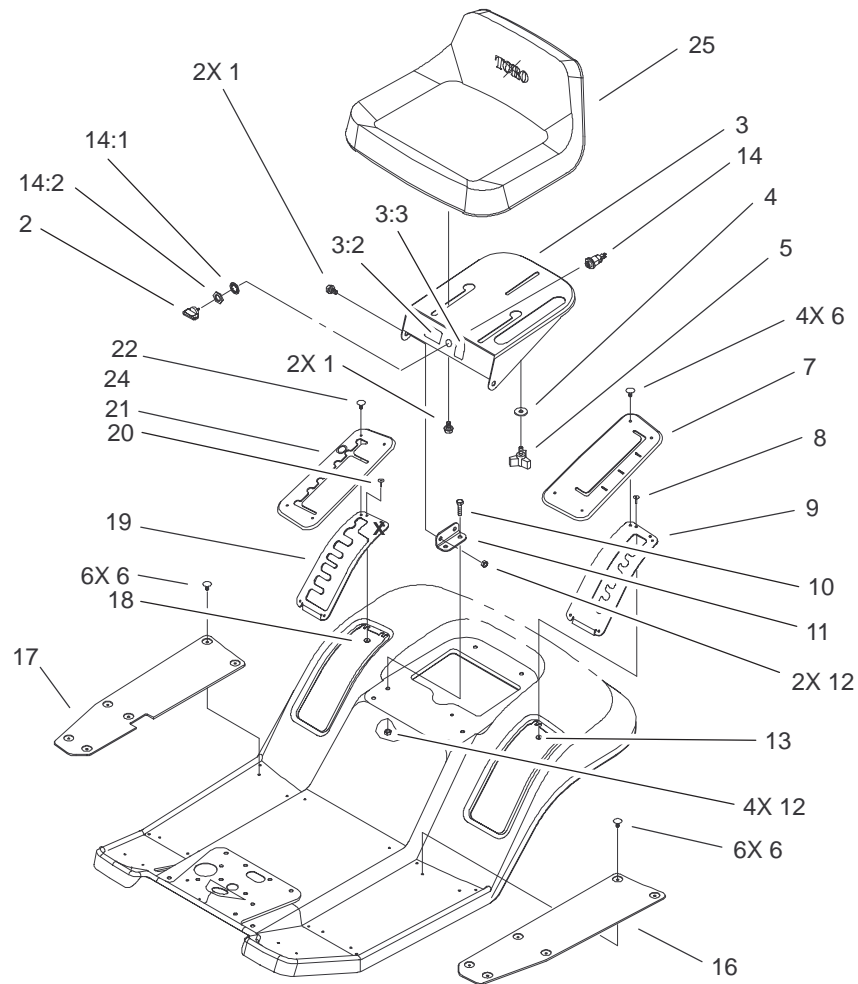


Sheet No.:3

## Hood and Tower Assembly

Ref. No.	Part No.	Qty.	Description
1	99-1947	1	Tower-Steering
2	94-5565	1	Knob-Shift
3	46-8091	3	Screw-HWH
4	3296-42	4	Nut-Lock, NI
5	321-2	4	Screw-HH
6	28-0540	2	Bolt-Shoulder
7	88-6050-03	1	Bracket-Hinge, LH
8	3290-496	2	Nut-Retainer
11	94-1984	1	Latch-Pin
12	93-3891	1	Duct-Hood Air
13	46-8090	7	Screw-Plastite
14	92-8650	1	Hood-V-Chassis Toro
14:1	92-5748	1	Decal-Air Duct, Toro
15	92-5782	3	Tape-Foil
16	93-3864-03	1	Shield-Heat
18	88-6040-03	1	Bracket-Hinge, RH
19	3290-307	2	Pin-Hair
20	100-7401	1	Rod-Tower, Pivot
21	3256-24	2	Washer-Flat
22	3218-3	2	Nut-Jam
23	100-7402	2	Nut-Cap
24	100-7403	2	Washer-Flat
25	88-5190-03	1	Lever-Deck, Engage
26	3296-29	2	Nut-Lock, NI
27	3256-23	2	Washer-Flat

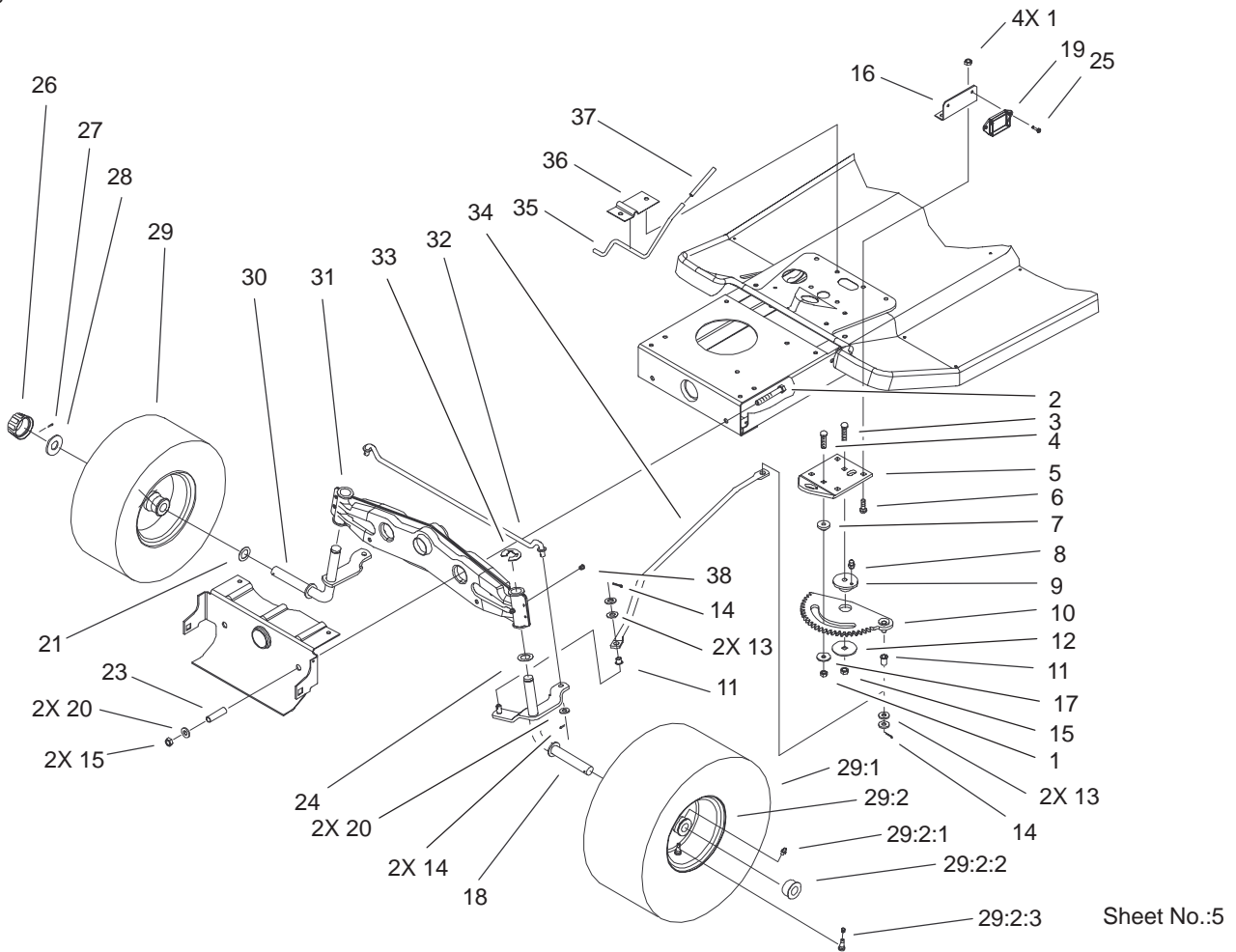
Ref. No.	Part No.	Qty.	Description
28	322-3	2	Screw-HH
29	106-6403	2	Decal-Tower,1638xl
30	99-8141	1	Decal-Ignition/Lights (only on: 71226)
30	99-8139	1	Decal-Ignition/Lights (only on: 71223)
31	92-2461	1	Decal-Throttle (only on: 71223)
31	92-5730	1	Decal-Throttle (only on: 71226)
32	92-2462	1	Decal-Deck, Engage (only on: 71223)
32	93-6673	1	Decal-Deck, Engage (only on: 71226)
33	105-2497	1	Decal-Hood, LH
34	105-2496	1	Decal-Hood, RH
35	99-6837	1	Deck Cable ASM
36	9266714	2	Screw-HWH
37	93-3849	1	Bracket-Upper, Cable
38	614249	1	Strap-Tie
39	94-1980	2	Foam-Hood



Sheet No.:4

## Rear Body and Seat Assembly

Ref. No.	Part No.	Qty.	Description	Ref. No.	Part No.	Qty.	Description
1	37-8770	4	Bolt-Shoulder	13	3269-26	2	Washer-Flat
2	63-8360	1	Key-Ignition	14	46-5780	1	Switch-Starter
3	99-5830	1	Seat Support ASM (only on: 71223)	14:1	3254-5	1	Washer-Tooth
3	99-5831	1	Seat Support ASM (only on: 71226)	14:2	218-461	1	Nut-HH
3:2	99-2986	1	Decal-Danger (only on: 71226)	16	88-5240	1	Mat-Foot, LH
3:2	99-2985	1	Danger-Decal (only on: 71223)	17	88-5220	1	Mat-Foot, RH
3:3	99-5339	1	Decal (only on: 71223)	18	3269-26	2	Washer-Flat
3:3	99-5340	1	Decal-Switch (only on: 71226)	19	88-5020-03	1	Plate-Shift Gate
4	5-4460	1	Washer-Pivot	20	3290-282	2	Rivet-Pop, Steel
5	92-9674	1	Knob	21	93-7656	1	Cover-Shift (only on: 71226)
6	3290-479	16	Fastener-Panel	21	88-5160	1	Cover-Shift Gate (only on: 71223)
7	88-5170	1	Cover-HOC (only on: 71223)	22	3290-479	4	Fastener-Panel
7	93-7657	1	Cover-HOC (only on: 71226)	25	88-3950	1	Seat-Medium Back
8	3290-282	2	Rivet-Pop, Steel				
9	88-5030-03	1	Gate-HOC				
10	322-3	4	Screw-HH				
11	88-4820-03	2	Bracket-Seat, Hinge				
12	3296-29	6	Nut-Lock, NI				



Sheet No.:5

## Steering Assembly

Ref. No.	Part No.	Qty.	Description
1	3296-29	5	Nut-Lock, NI
2	323-13	2	Screw-HH
3	3231-4	1	Screw-CARR
4	3230-3	1	Screw-CARR
5	88-5130-03	1	Bracket-Steering Rack
6	3230-2	4	Bolt-CARR
7	88-5010	1	Spacer-Steering, Rack
8	302-26	1	Fitting-Grease
9	88-4670	1	Bushing-Eccentric
10	88-5200	1	Rack-Steering
11	52-2891	2	Bushing-Link, Steering
12	111419	1	Washer-Bearing
13	3256-25	4	Washer-Flat
14	3272-10	4	Pin-Cotter
15	3296-39	3	Nut-Lock, NI
16	99-2956-03	1	Bracket-Module
17	5-4460	1	Washer-Pivot
18	92-7890-03	1	Spindle-LH (only on: 71223)
19	99-3700	1	Module
20	3256-24	4	Washer-Flat
21	3-6498	4	Washer-Thrust
23	88-5470	2	Spacer-Front, Axle

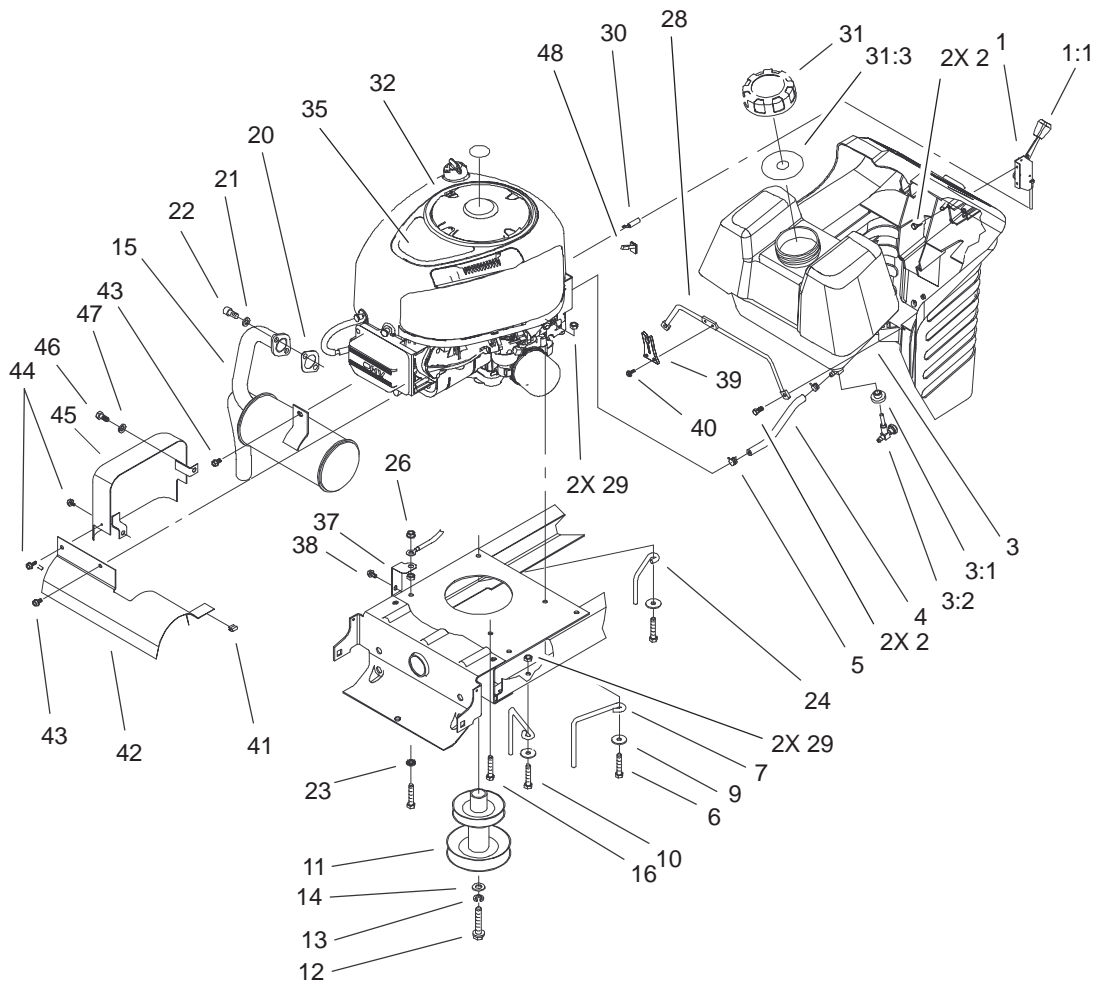
Ref. No.	Part No.	Qty.	Description
24	3-6498	2	Washer-Thrust
25	9266714	2	Screw-HWH
26	61-9780	2	Cap-Hub
27	3272-12	2	Pin-Cotter
28	28-2480	2	Washer
☆29		2	Front Wheel And Tire ASM (only on: 71226)
☆29		2	Front Wheel&tire ASM (only on: 71223)
29:1	99-2988	1	Tire
29:2	99-6829	1	Rim ASM (only on: 71226)
29:2	88-4370	1	Rim ASM (only on: 71223)
29:2:1	232-27	1	Stem-Valve
29:2:2	110513	2	Bearing-Wheel (only on: 71226)
29:2:2	88-4400	2	Bearing-Wheel (only on: 71223)
29:2:3	302-5	1	Fitting-Grease
*	232-39	1	Tube (only on: 71226)
*	232-39	1	Tube (only on: 71223)
30	92-7889-03	1	Spindle-RH
31	99-6844-03	1	Axle-Front
32	88-5380	1	Tie Rod-Steering

☆ Not serviced separately

\* Not illustrated





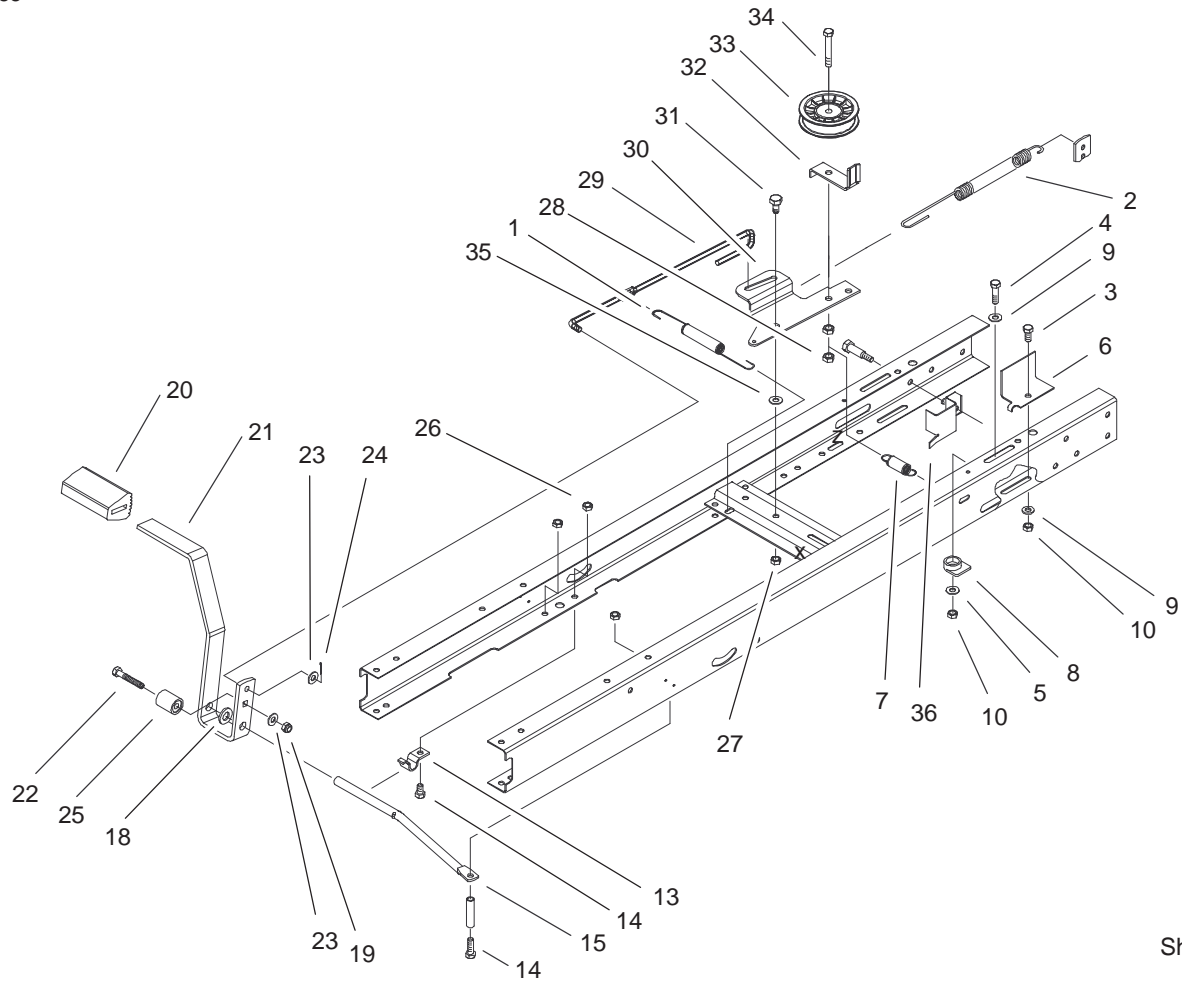


Sheet No.:8

## Engine Assembly

Ref. No.	Part No.	Qty.	Description	Ref. No.	Part No.	Qty.	Description
1	88-4340	1	Control-Throttle	30	88-4350	1	Cable-Throttle
1:1	66-0120	1	Knob	31	88-3980	1	Gas Cap ASM
2	27-0220	4	Screw-Special	31:3	88-4010	1	Gasket-Cap, Gas
3	88-3880	1	Gas Tank ASM	☆32		1	Engine-16 HP Intec Briggs And Stratton Model No. 286h77-0121-E1
3:1	104047	1	Bushing	35	106-6409	1	Decal-Engine, 16hp
3:2	104048	1	Valve-Fuel	37	93-3809	1	Bracket-Ground
4	47-2963	1	Hose-Fuel	38	9266714	1	Screw-HWH
5	2412-98	2	Clamp	39	94-1951	1	Latch-Hood
6	322-9	3	Screw-HH	40	32144-112	2	Screw-HWHTF
7	93-3854	3	Guide-Belt, Engine	41	93-3882	1	Clip-Tinnerman
9	5-4460	4	Washer-Pivot	42	93-3880-03	1	Shield-Muffler
10	322-5	2	Screw-HH	43	9266714	2	Screw-HWH
11	94-1963	1	Pulley-Engine ASM	44	32104-76	2	Screw
12	62-3760	1	Screw-HH	45	93-8450-03	1	Exhaust Shield ASM
13	3253-22	1	Washer-Lock	46	322-3	1	Screw-HH
14	3256-25	1	Washer-Flat	47	3253-4	1	Washer-Lock
15	94-1953	1	Muffler-Exhaust	48	88-4490	1	Reducer-Throttle, Rpm (only on: 71226)
16	9267154	1	Screw				
20	88-4410	1	Gasket-Muffler				
21	3253-4	2	Washer-Lock				
22	3274-10	2	Screw-HSH				
23	3255-8	1	Washer-Lock				
24	93-3855	1	Guide-Belt, RH				
26	32149-1	2	Nut				
28	94-1952	1	Rod-Gas, Tank				
29	3296-29	4	Nut-Lock, NI				

☆ Not serviced separately



Sheet No.:9

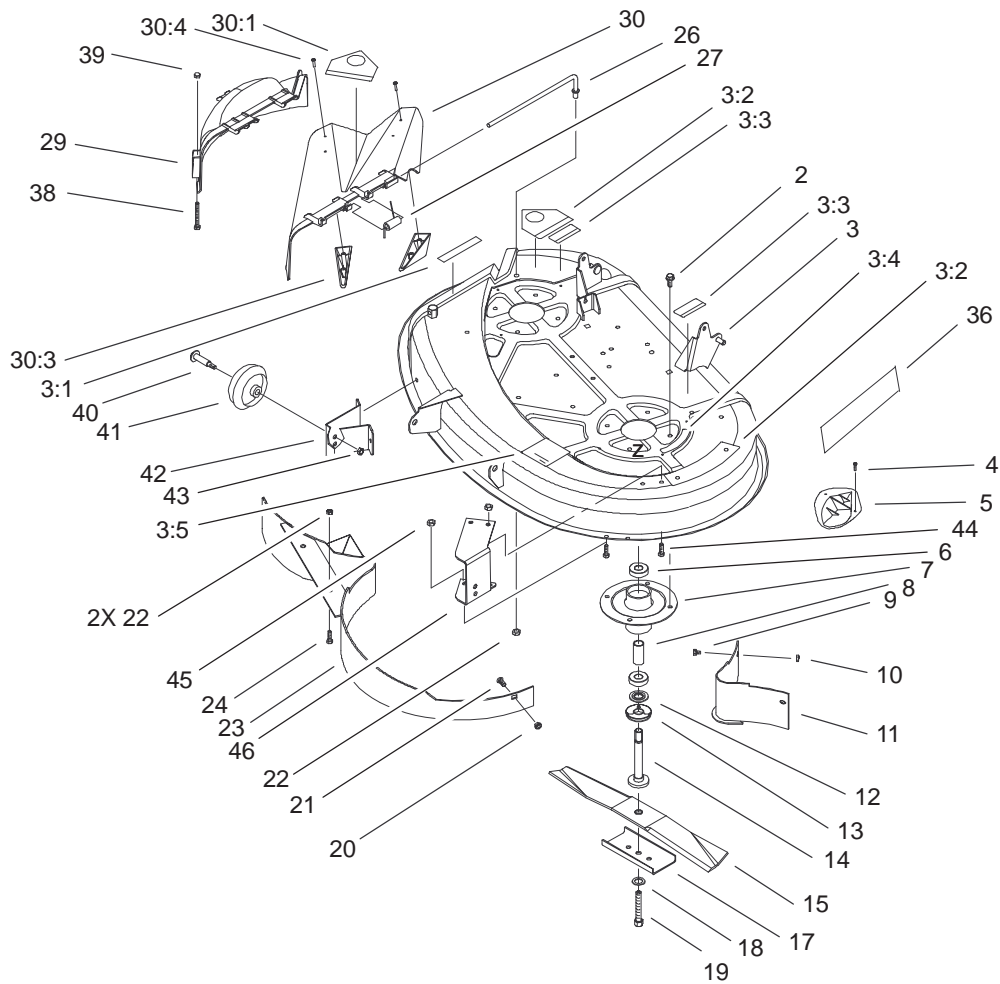
## Traction Clutching Assembly

Ref. No.	Part No.	Qty.	Description
1	27-8890	1	Spring-Return
2	94-4294	1	Spring-Brake
3	322-3	1	Screw-HH
4	322-6	1	Screw-HH
5	5-4460	1	Washer-Pivot
6	94-5433	1	Bracket-Belt, Guide
7	88-6330	1	Spring-Extension
8	84-5610	1	Guide-Cable
9	3256-23	2	Washer-Flat
10	3296-29	2	Nut-Lock, NI
13	88-4810	1	Clamp-Shift, Pivot
14	322-3	2	Screw-HH
15	88-5500	1	Rod-Pedal, Pivot
18	3256-26	1	Washer-Flat
19	3296-47	1	Nut-Lock, NI
20	65-2920	1	Pad-Pedal
21	88-5000-03	1	Pedal-Clutch/Brake
22	322-9	1	Screw-HH
23	3256-23	2	Washer-Flat
24	3272-10	1	Pin-Cotter
25	99-6836	1	Spacer-Switch
26	3296-29	2	Nut-Lock, NI
27	3296-29	1	Nut-Lock, NI
28	3296-59	2	Nut-Lock, NI
29	88-5270	1	Rod-Clutch/Brake
30	88-6070	1	Arm-Idler

Ref. No.	Part No.	Qty.	Description
31	37-8770	1	Bolt-Shoulder
32	88-5560	1	Guide-Idler, Belt
33	104-4160	1	Pulley-Idler
34	323-10	1	Screw-HH
35	5-4460	1	Washer-Pivot
36	94-4926	1	Bracket-Belt, Guide





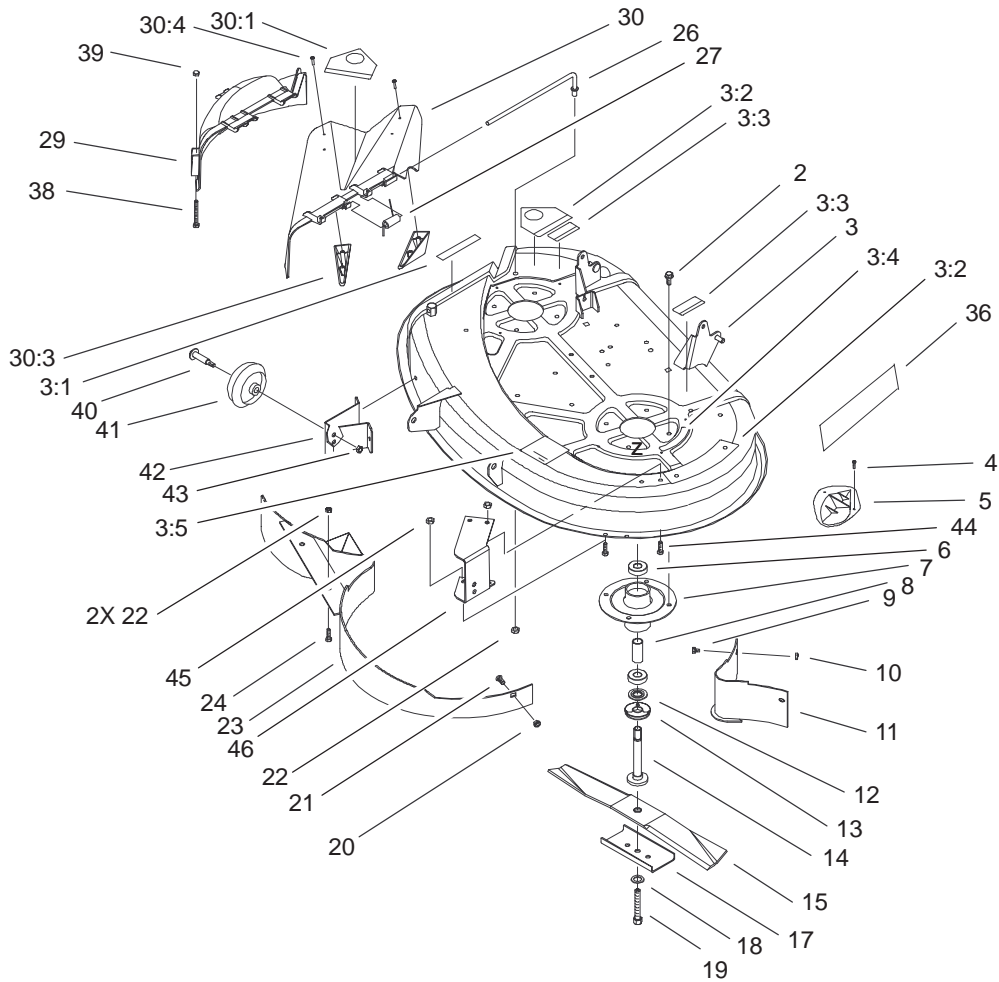


Sheet No.:16

### 38in Deck Assembly

Ref. No.	Part No.	Qty.	Description
2	32144-41	8	Screw-Taptite
3	99-5846	1	Deck ASM (only on: 71223)
3	99-5847	1	Deck ASM (only on: 71226)
3:1	93-7009	1	Decal-Danger (only on: 71226)
3:1	68-3650	1	Decal-Deflector Danger (only on: 71223)
3:2	93-7010	2	Decal-Danger (only on: 71226)
3:2	93-1122	1	Decal-Danger (only on: 71223)
3:3	93-6674	2	Decal-Warning (only on: 71226)
3:3	55-4300	2	Decal-Warning (only on: 71223)
3:4	68-3660	1	Decal-Shield Danger (only on: 71223)
3:4	93-6677	1	Decal-Shield, Danger (only on: 71226)
3:5	93-6679	1	Decal-Routing, Belt (only on: 71226)
3:5	79-3140	1	Decal-Danger (only on: 71223)

Ref. No.	Part No.	Qty.	Description
4	32144-111	8	Screw-PPH
5	76-2160	4	Plate-Kicker
6	100-1048	4	Bearing-Ball
7	88-4510	2	Spindle
8	62-3661	2	Spacer-Bearing
9	321-4	2	Screw-HH
10	3296-42	2	Nut-Lock, NI
11	79-1640-03	1	Baffle
12	80-4380	2	Spacer
13	80-4360	2	Shield-Bearing
14	80-4341	2	Spindle-Shaft
15	79-3061	2	Blade
17	80-0510-03	2	Stiffener-Blade
18	3290-465	2	Washer-Belleville
19	26-0671	2	Screw-Blade
20	3296-29	1	Nut-Lock, NI
21	3230-1	1	Bolt-CARR
22	3296-39	3	Nut-Lock, NI
23	79-1600-03	1	Baffle
24	323-5	2	Screw-HH
26	95-1661	1	Rod-Pivot
27	57-6950	1	Spring
29	88-4430	1	Recycler Cover
30	93-0317	1	Deflector ASM (only on: 71223)

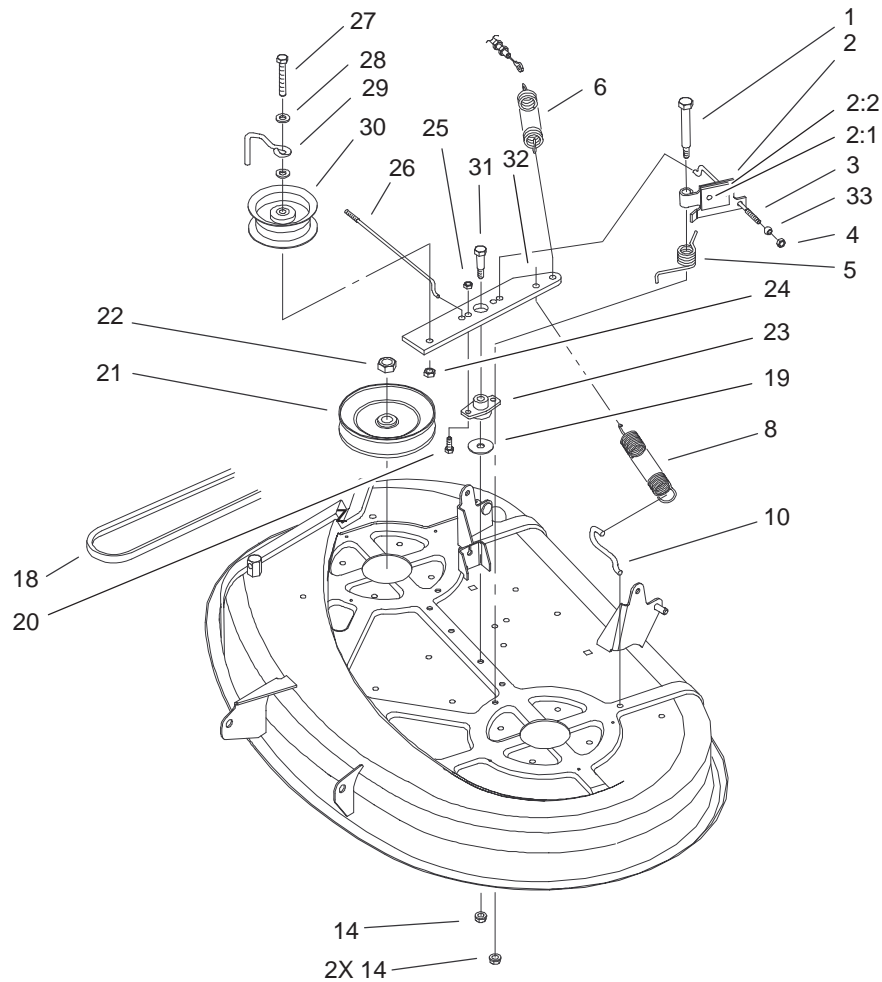


Sheet No.:16

### 38in Deck Assembly (continued)

Ref. No.	Part No.	Qty.	Description
30	93-7695	1	Deflector ASM (only on: 71226)
30:1	93-1122	1	Decal-Danger (only on: 71223)
30:1	93-7010	1	Decal-Danger (only on: 71226)
30:3	93-7696	2	Kicker (only on: 71226)
30:4	93-0231	4	Screw-PPH (only on: 71226)
36	106-6407	1	Decal-Recycler,38"
38	321-14	2	Screw-HH
39	32111-7	2	Nut-Cap
40	56-6591	2	Bolt-Wheel (only on: 71226)
41	701756	2	Wheel-Gage (only on: 71226)
42	88-5740-03	1	Bracket-Wheel, RH (only on: 71226)
43	3296-39	2	Nut-Lock, NI (only on: 71226)
44	322-3	6	Screw-HH (only on: 71226)
45	3296-29	6	Nut-Lock, NI (only on: 71226)

Ref. No.	Part No.	Qty.	Description
46	93-3896-03	1	Bracket-Wheel, LH (only on: 71226)

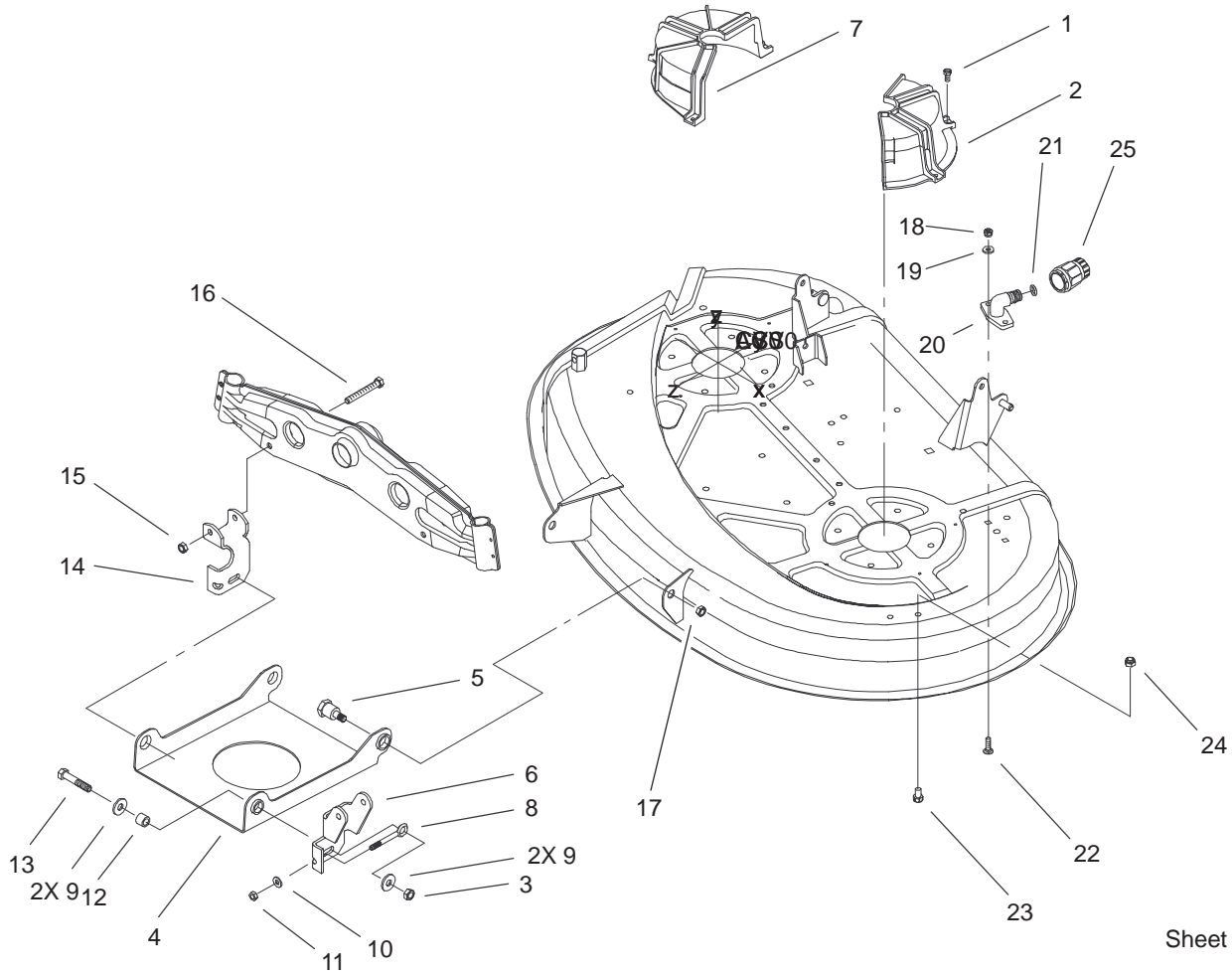


Sheet No.:17

### 38in Deck Blade Drive and Braking Assembly

Ref. No.	Part No.	Qty.	Description
1	88-4590	2	Bolt-Shoulder
2	88-6100	2	Brake ASM
2:1	3290-282	2	Rivet-Pop, Steel
2:2	56-9830	1	Pad-Brake
3	88-5550	1	Rod-Brake, Deck LH
4	3296-42	2	Nut-Lock, NI
5	88-5910	2	Spring-Torsion
6	88-6130	1	Spring-Deck, Engagement
8	92-8934	1	Spring-Extension
10	88-5970	1	Hook-Return, Spring
14	3296-58	3	Nut-Lock NI
18	88-6250	1	V-Belt
19	3256-68	1	Washer-Flat
20	322-5	2	Screw-HH
21	88-5330	2	Pully-Deck
22	3219-6	2	Nut-Hex
23	88-4980	1	Bushing-Idler, Arm
24	3296-39	1	Nut-Lock, NI
25	3296-29	2	Nut-Lock, NI
26	88-5540	1	Rod-Brake, Deck RH
27	323-12	1	Screw-HH
28	3256-24	2	Washer-Flat
29	88-5070	1	Guide-Idler, Belt
30	88-5630	1	Pulley-Idler Flat
31	7-0030	1	Bolt-Shoulder

Ref. No.	Part No.	Qty.	Description
32	88-4870-03	1	Arm-Idler, Deck
33	67-0710	2	Ball-Swivel, Stop



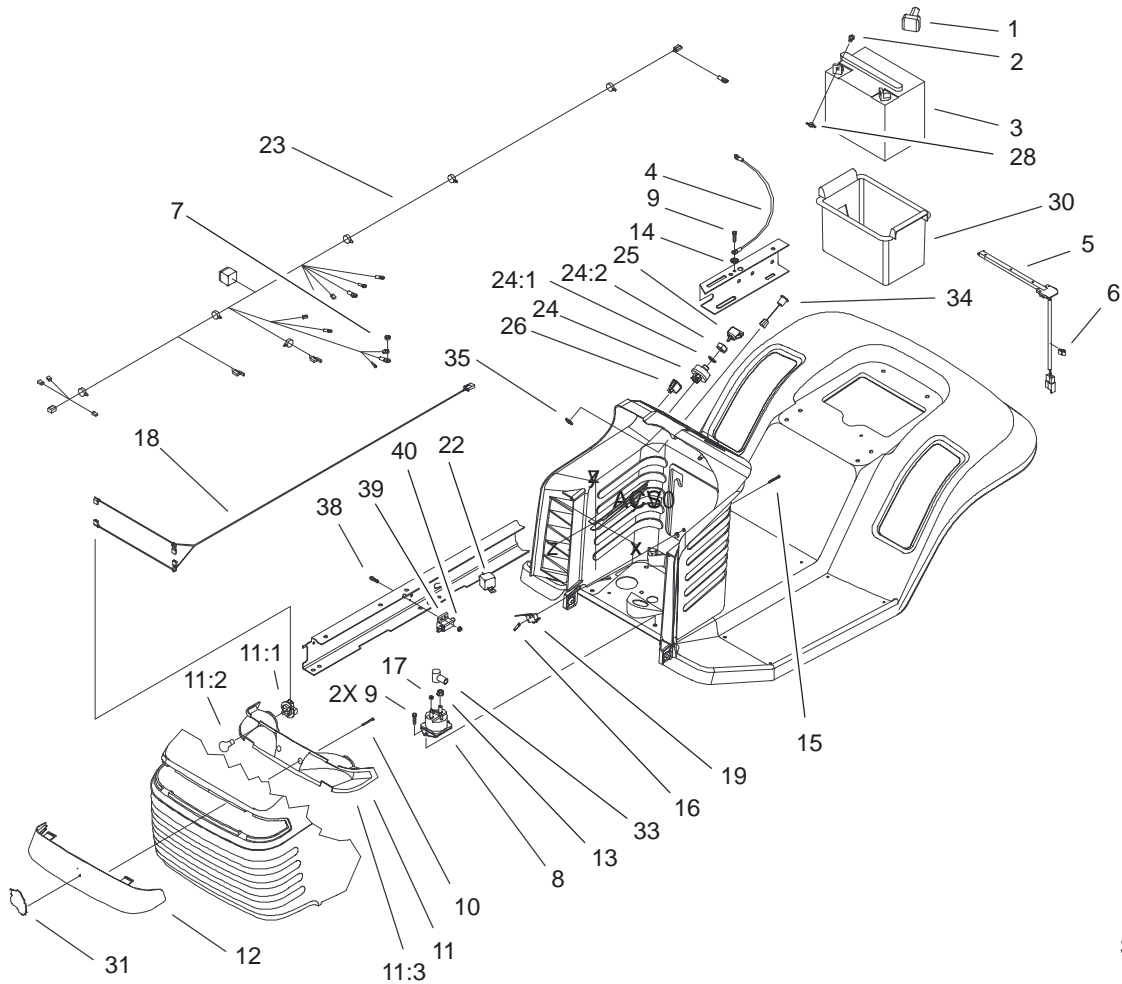
Sheet No.:18

## 38in Deck Engagement Assembly

Ref. No.	Part No.	Qty.	Description
1	32104-76	5	Screw
2	88-4030	1	Guide-Belt, Deck LH
3	3296-39	2	Nut-Lock, NI
4	93-3881-03	1	Pan-Front Deck, Suspension
5	94-5823	2	Bolt-Shoulder
6	94-1971-03	1	Bracket-Deck Suspension, LH
7	88-4020	1	Guide-Belt, Deck RH
8	61-9980	2	Screw-Adjusting
9	80-6990	4	Washer-Hardened
10	3256-22	2	Washer-Flat
11	3296-42	2	Nut-Lock, NI
12	93-9847	2	Spacer
13	323-9	2	Screw-HH
14	94-1970-03	1	Bracket-Suspension, Deck RH
15	3296-29	2	Nut-Lock, NI
16	322-12	2	Screw-HH
17	3296-23	2	Nut-Lock, NI
18	3296-16	2	Nut-Lock, NI
19	3256-1	2	Washer-Flat
20	95-2747	1	Fitting-Washout
21	46-6290	1	O-Ring
22	3229-1	2	Screw-CARR

Ref. No.	Part No.	Qty.	Description
23	322-1	2	Screw-HH (only on: 71223)
24	3296-29	2	Nut-Lock, NI (only on: 71223)
25	95-3270	1	Connector-Hose (only on: 71223)





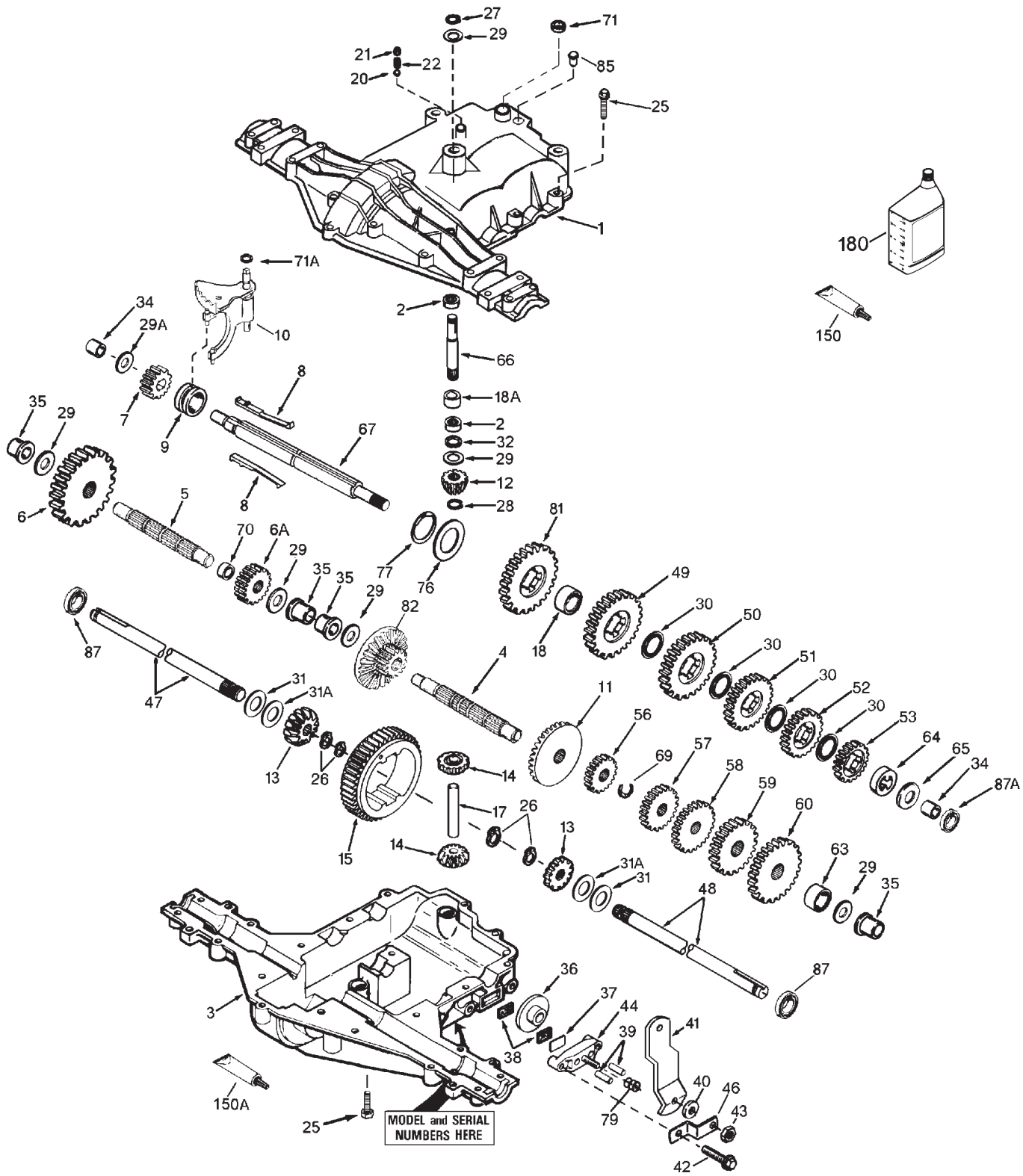
Sheet No.:20

## Electrical Assembly

Ref. No.	Part No.	Qty.	Description
1	28-8080	1	Boot-Terminal
2	321-4	2	Screw-HH
3	104-1755	1	Battery
4	44-8110	1	Wire ASM
5	38-1420	1	Switch-Seat
6	702366	1	Clip-Wire Retainer
7	32149-2	1	Nut
8	28-4210	1	Solenoid
9	9266714	3	Screw-HWH
10	32144-32	2	Screw
11	88-3970	1	Reflector And Lamp ASM
11:1	111686	2	Socket-Light
11:2	7228	2	Bulb
11:3	93-8741	1	Reflector
12	88-3960	1	Lens-Headlight
13	32149-1	2	Nut
14	3255-7	2	Washer-Lock/Ext
15	93-0539	2	Screw-HH
16	3290-354	1	Nut-Speed
17	32149-8	2	Nut-Keps
18	99-1935	1	Harness-Headlight
19	88-9932	1	Switch-Micro
22	98-7249	1	Relay
23	99-6841	1	Harness-Wire, Gear
24	88-9830	1	Key Switch ASM

Ref. No.	Part No.	Qty.	Description
24:1	3254-5	1	Washer-Tooth
24:2	218-461	1	Nut-HH
25	63-8360	1	Key-Ignition
26	92-8875	1	Switch-Rocker
28	32103-22	2	Nut-Wing
30	88-4040	1	Box-Battery
31	95-4248	1	Logo-Horsehead
33	93-3190	1	Boot-Insulator, Terminal
34	95-7652	1	Light-Indicator
35	99-6059	1	Clip-Retainer
38	3274-14	2	Screw-HSH
39	65-7410	1	Switch-Pole, Single
40	3296-2	2	Nut-Lock

# PEERLESS TRANSAXLE MODEL MST 205-509

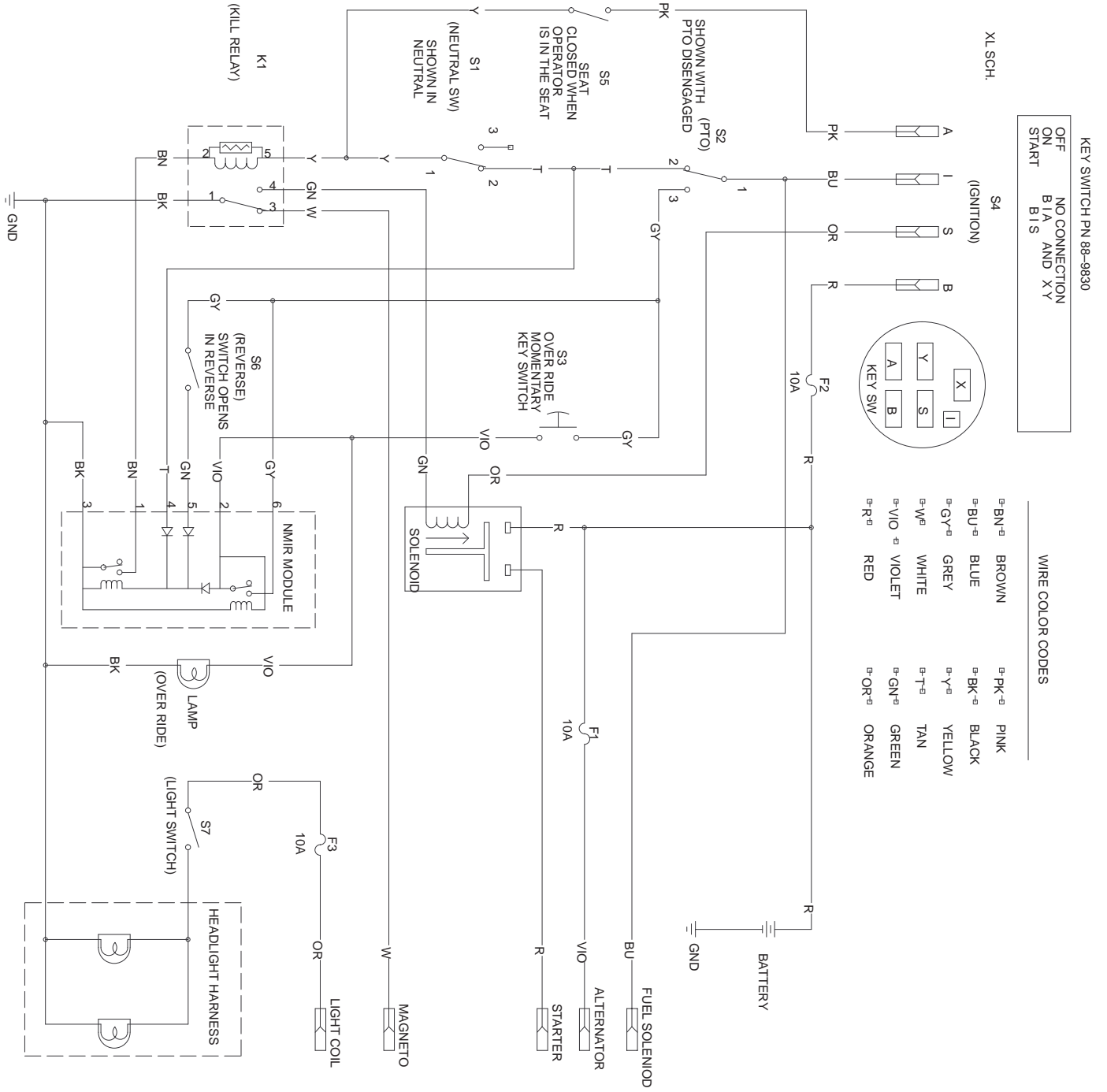


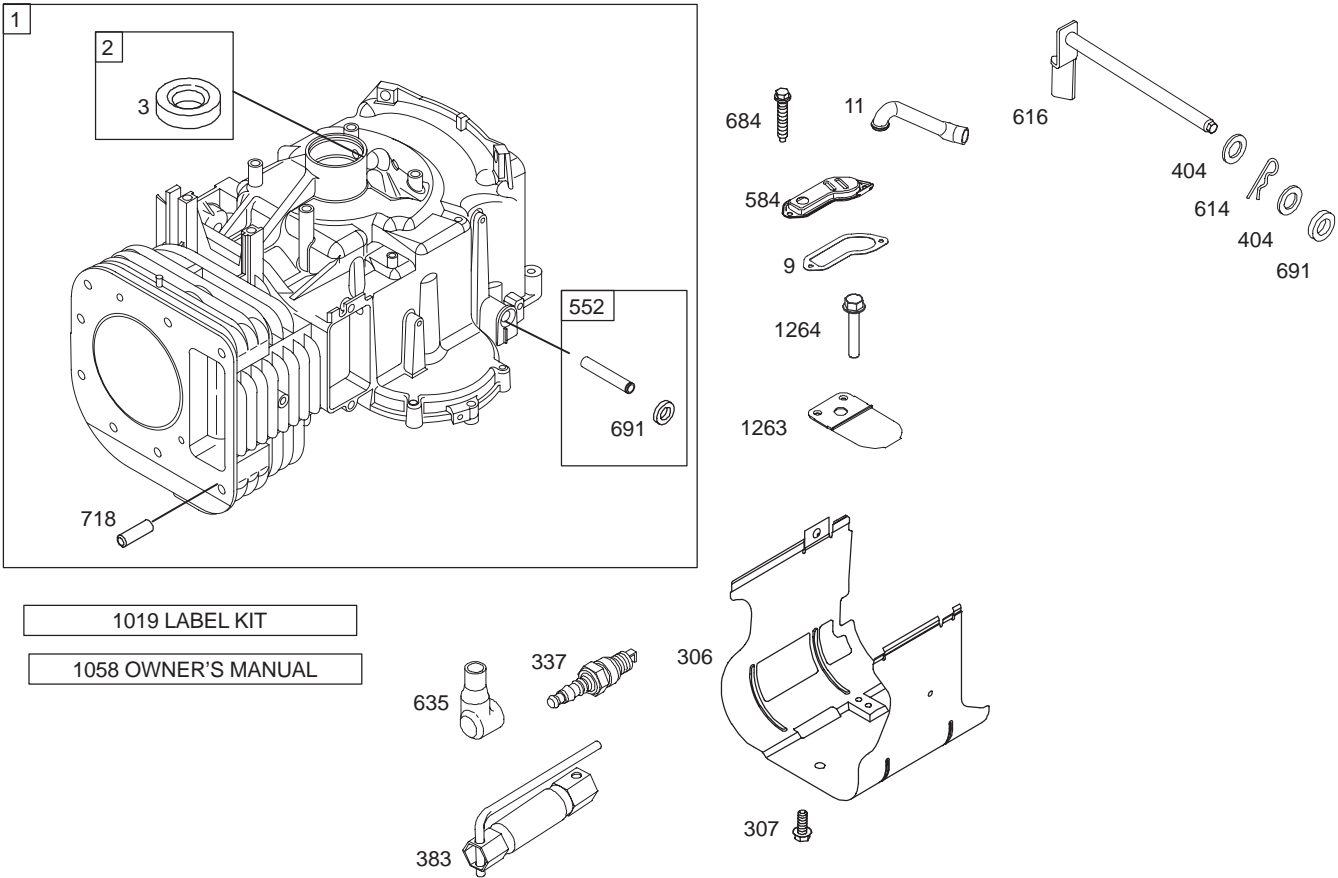
## Peerless Transaxle Model MST 205-509

Ref. No.	Part No.	Qty.	Description
1	772137	1	Transaxle Cover
2	780086A	2	Needle Bearing
3	770123	1	Transaxle Case
4	776395	1	Countershaft
5	776397	1	Output Shaft
6	778331	1	Spur Gear (38 teeth)
6A	778332	1	Spur Gear (15 teeth-steel)
7	778330	1	Spur Gear (11 teeth-steel)
8	792136A	2	Shift Key
9	784352	1	Shift Collar
10	784378	1	Shift Rod & Fork
11	778334	1	Bevel Gear (30 teeth)
12	778309	1	Input Bevel Pinion (13 teeth)
13	778327		Bevel Gear (16 teeth-steel)
		2	(Incl. 14)
14	778327		Bevel Gear (16 teeth-steel)
		2	(Incl. 13)
15	778312A	1	Ring Gear (43 teeth)
17	786139	1	Drive Pin
18	786102	1	Spacer
18A	786175	1	Spacer
20	792077	1	Ball 5/16" dia
21	792078	1	Set Screw
22	792079	1	Spring
25	792073	18	Screw
26	792125	4	Retaining Ring (pkg of 2)
27	792035	1	Retaining Ring
28	788040	1	Retaining Ring
29	780072	6	Washer
29A	780160	1	Washer
30	780108	4	Washer
31	780001	2	Washer (.056 wide)
			(USE AS NEEDED)
31A	780195	2	Flat Washer (.062 wide)
32	788083	1	Oil Seal
34	780194	2	Bushing
35	780193	4	Flanged Bushing
36	790075	1	Brake Disk
37	790007	1	Brake Pad Plate
38	799021	2	Brake Pad (pkg of 2)
39	786026	2	Dowel Pin
40	792076A	1	Flat Washer

Ref. No.	Part No.	Qty.	Description
41	790080	1	Brake Lever
42	792073	2	Screw
43	792075	1	Locknut
44	790025	1	Brake Pad Holder
46	786086	1	Brake Lever Bracket
47	774690	1	Axle (11-15/16" long)
48	774691	1	Axle (16-1/2" long)
49	778356	1	Spur Gear (29 teeth-steel)
50	778354	1	Spur Gear (23 teeth-steel)
51	778344	1	Spur Gear (20 teeth)
52	778350	1	Spur Gear (16 teeth-steel)
53	778346	1	Spur Gear (15 teeth-steel)
56	778355	1	Spur Gear (11 teeth-steel)
57	778353	1	Spur Gear (17 teeth-steel)
58	778343	1	Spur Gear (20 teeth)
59	778349	1	Spur Gear (24 teeth-steel)
60	778345	1	Spur Gear (25 teeth)
63	786071	1	Countershaft Spacer
64	786072	1	Brake Shaft Spacer
65	780189	1	Washer
66	776394	1	Input Shaft
67	776396	1	Shifter & Brake Shaft
69	792170	1	Retaining Ring
70	786172	1	Spacer
71	788069	1	Square Cut Ring
71A	788092	1	"O" Ring
76	780090	1	Washer
77	788078A	1	Inverted Retaining Ring
79	792144	1	Spring
81	778338	1	Spur Gear (27 teeth)
82	778333	1	Bevel & Spur Gear (30 & 13 teeth)
85	792154	1	Pipe Plug
87	788088	2	Oil Seal
87A	788089	1	Oil Seal
150	788093	1	Liquid Gasket RTV Silicone
150A	788094	1	Liquid Gasket Loctite #242
180	730229A	1	Gear Oil 80W90

# Electrical Schematic





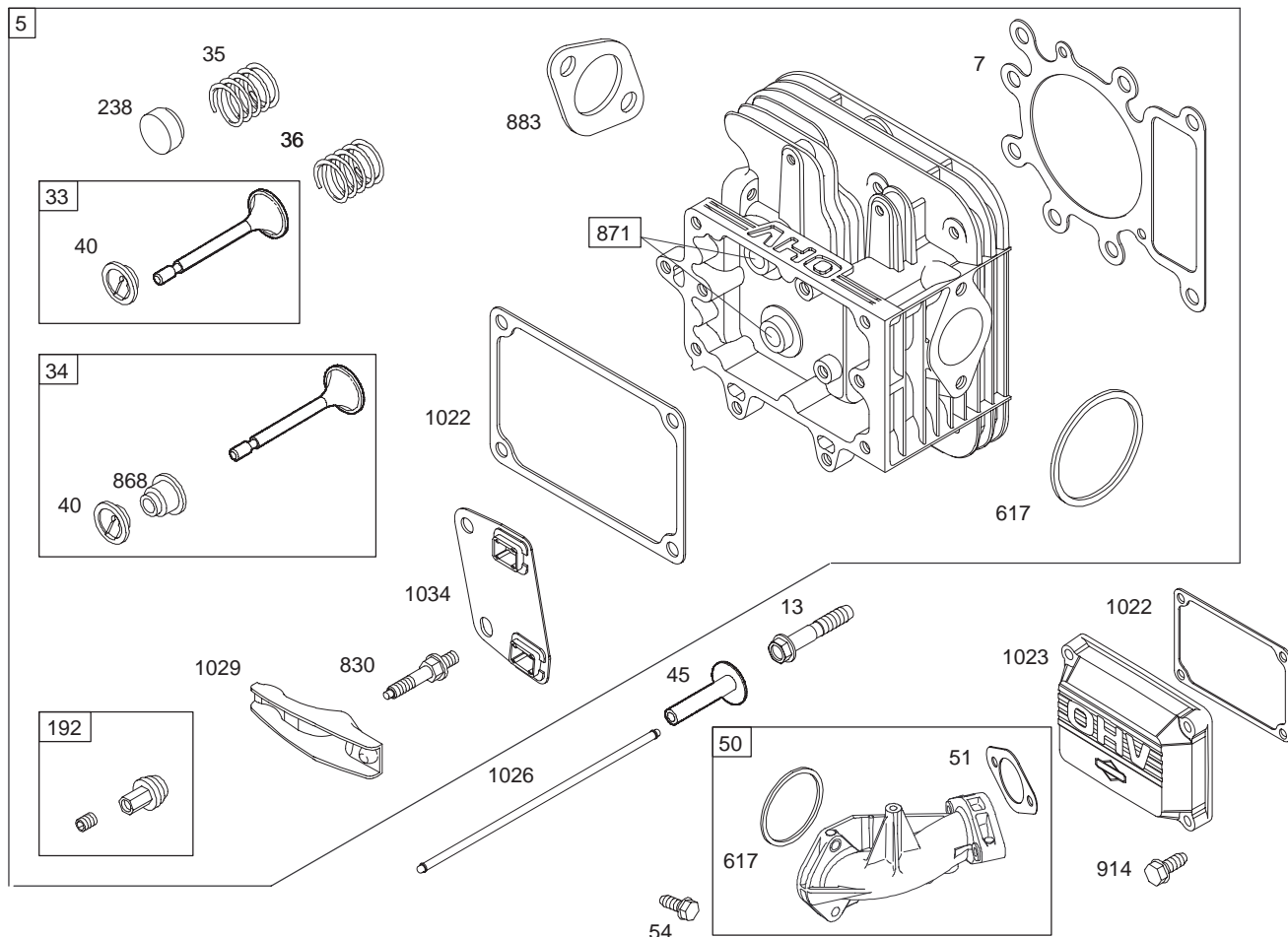
Assemblies include all parts shown in frames.

## Cylinder Assembly Engine Briggs and Stratton Model 286H77-0121-E1

Ref. No.	Part No.	Qty.	Description
1	697132	1	Cylinder Assembly
2	399265	1	Kit-Bushing/Seal (Magneto Side)
★3	391086	1	Seal-Oil (Magneto Side)
★9	697109	1	Gasket-Breather
11	697113	1	Tube-Breather
306	697107	1	Shield-Cylinder
307	691003	1	Screw (Cylinder Shield)
337	491055	1	Plug-Spark
383	89838	1	Wrench-Spark Plug
404	691691	1	Washer (Governor Crank)
552	697144	1	Bushing-Governor Crank
584	697112	1	Cover-Breather Passage
614	691620	1	Pin-Cotter
616	692012	1	Crank-Governor
635	691909	1	Boot-Spark Plug
684	697157	1	Screw (Breather Passage Cover)

Ref. No.	Part No.	Qty.	Description
★691	692407	1	Seal-Governor Shaft
718	690959	1	Pin-Locating
1019	697143	1	Kit-Label
1058	275038	1	Owner's Manual
1263	697124	1	Reed-Breather
1264	697104	1	Screw (Breather Reed)

★ Included in Engine Gasket Set-Ref. 358.

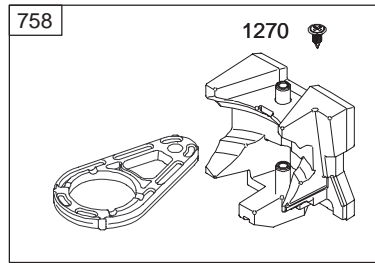
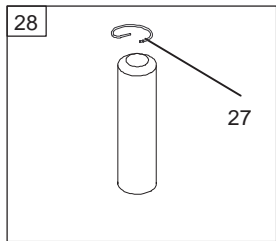
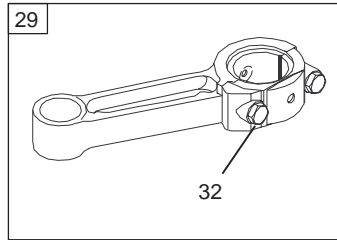
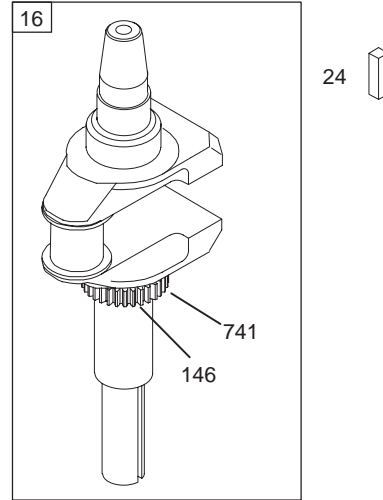
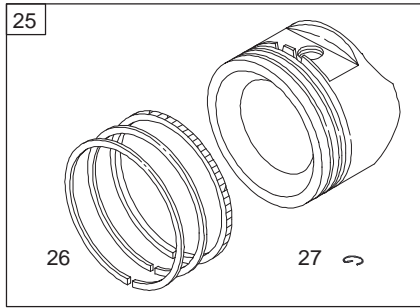


## Cylinder Head Assembly Engine Briggs and Stratton Model 286H77-0121-E1

Ref. No.	Part No.	Qty.	Description
5	691165	1	Head-Cylinder
Δ★7	273280	1	Gasket-Cylinder Head
13	690360	1	Screw (Cylinder Head Gasket)
33	495856	1	Valve-Exhaust
34	495857	1	Valve-Intake
35	691279	1	Spring-Valve (Intake)
36	691279	1	Spring-Valve (Exhaust)
40	691752	1	Retainer-Valve
45	690564	1	Tappet-Valve
50	690193	1	Manifold-Intake
★Δ◆51	692137	1	Gasket-Intake
54	691148	1	Screw (Intake Manifold)
192	691986	1	Adjustor-Rocker Arm
238	691843	1	Cap-Valve
★617	692138	1	Seal-O Ring (Intake Manifold)
830	691095	1	Stud-Rocker Arm
Δ★868	690968	1	Seal-Valve
871	690969	1	Bushing-Valve Guide

Ref. No.	Part No.	Qty.	Description
883	692236	1	Gasket-Exhaust
914	690960	1	Screw (Rocker Cover)
★1022	272475	1	Gasket-Rocker Cover
1023	692492	1	Cover-Rocker
1026	692003	1	Rod-Push (Intake)
	692011	1	Rod-Push (Exhaust)
1029	691751	1	Arm-Rocker
1034	690822	1	Guide-Push Rod

Δ Included in Valve Gasket Set-Ref. 1095.    ◆ Included in Carburetor Overhaul Kit-Ref. 121.  
 ★ Included in Engine Gasket Set-Ref. 358.    ◆ Included in Carburetor Gasket Set-Ref. 977.

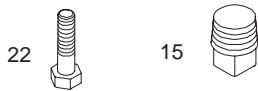
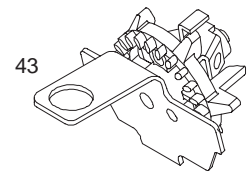
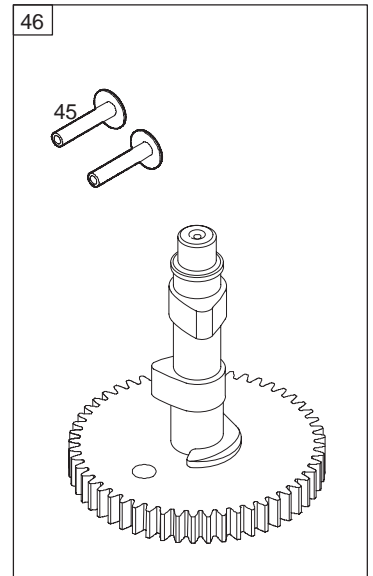
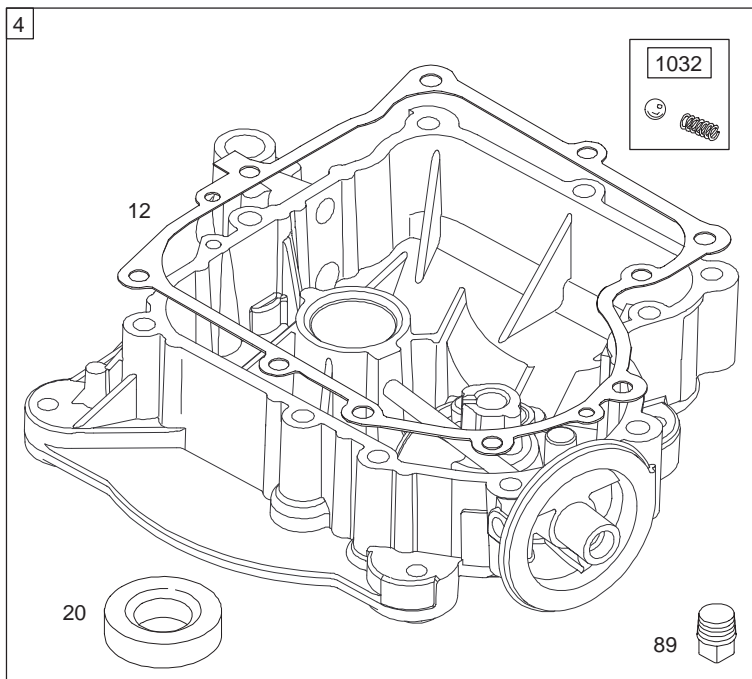


Assemblies include all parts shown in frames.

## Crankshaft Assembly Engine Briggs and Stratton Model 286H77-0121-E1

Ref. No.	Part No.	Qty.	Description
16	697127	1	Crankshaft
24	222698	1	Key-Flywheel
25	697114	1	Piston Assembly (Standard)
	697116	1	Piston Assembly (.010" Oversize)
	697117	1	Piston Assembly (.020" Oversize)
	697118	1	Piston Assembly (.030" Oversize)
26	697115	1	Ring Set (Standard)
	697119	1	Ring Set (.010" Oversize)
	697120	1	Ring Set (.020" Oversize)
	697121	1	Ring Set (.030" Oversize)
27	697199	1	Lock-Piston Pin
28	697099	1	Pin-Piston (Standard)

Ref. No.	Part No.	Qty.	Description
29	697126	1	Rod-Connecting (Standard)
	697264	1	Rod-Connecting (.020" Undersize)
32	692852	1	Screw (Connecting Rod)
146	690979	1	Key-Timing
741	697128	1	Gear-Timing
758	697134	1	Counterweight
1270	697156	1	Plug-AVS Counterweight



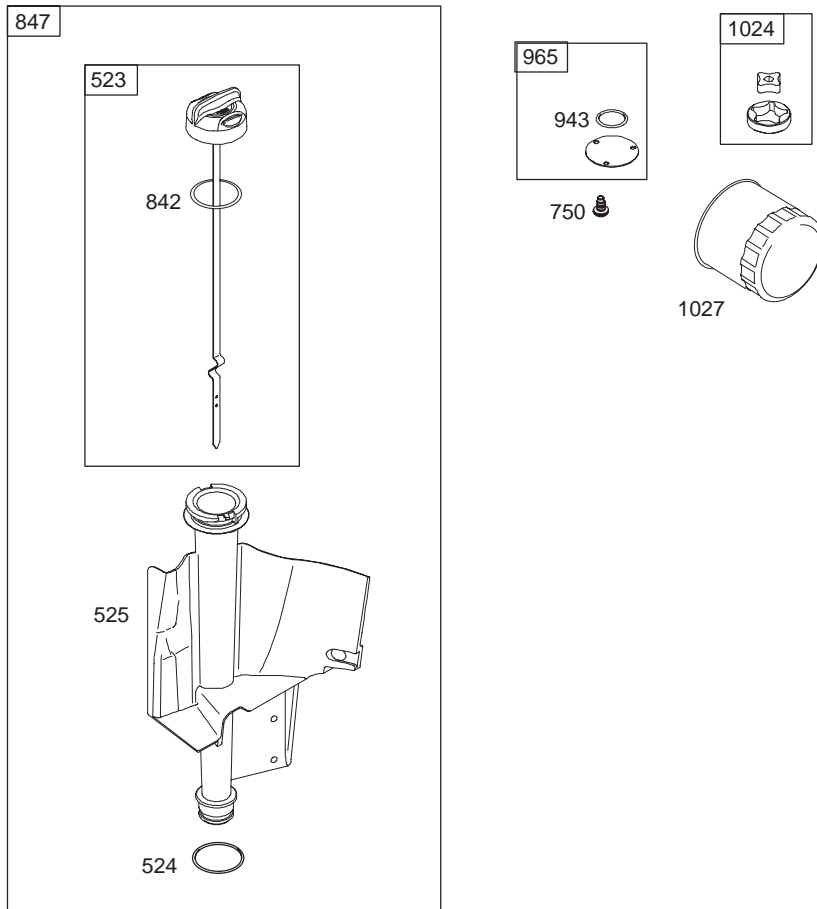
Assemblies include all parts shown in frames.

## Crankcase Assembly Engine Briggs and Stratton Model 286H77-0121-E1

Ref. No.	Part No.	Qty.	Description
4	697188	1	Sump-Engine
★12	697110	1	Gasket-Crankcase
15	690946	1	Plug-Oil Drain
★20	690947	1	Oil Seal (PTO Side)
22	692125	1	Screw (Engine Sump)
43	691968	1	Governor/Oil Slinger
	690564	1	Tappet-Valve
	697139	1	Camshaft
89	690283	1	Plug-Oil
1032	491710	1	Ball-Oil Pump

Ref. No.	Part No.	Qty.	Description

★ Included in Engine Gasket Set-Ref. 358.



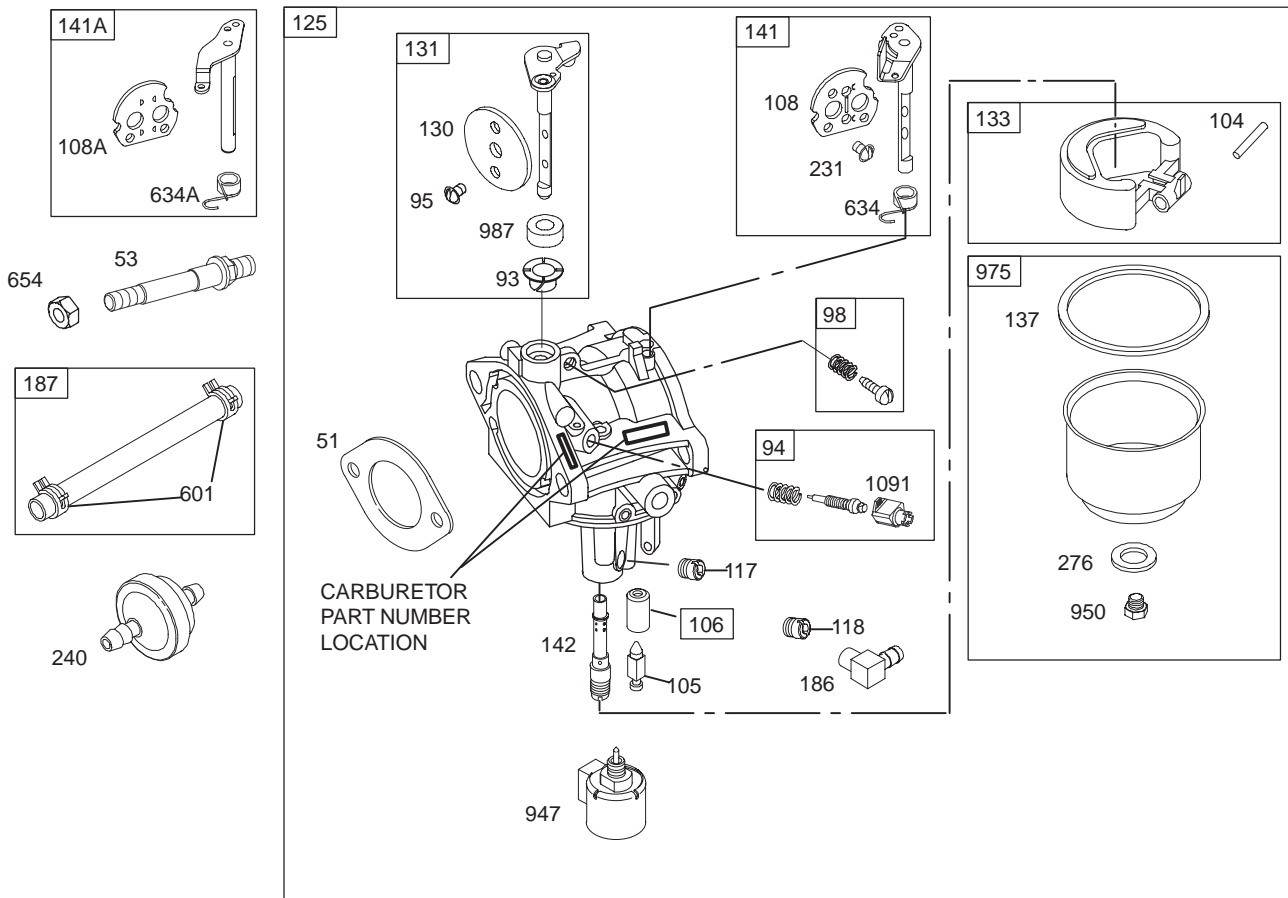
Assemblies include all parts shown in frames.

## Oil Filter, Tube and Pump Assembly Engine Briggs and Stratton Model 286H77-0121-E1

Ref. No.	Part No.	Qty.	Description
523	697086	1	Dipstick
★524	691032	1	Seal-O Ring (Dipstick Tube)
525	697085	1	Tube-Dipstick
750	691033	1	Screw (Oil Pump Cover)
★842	691031	1	Seal-O Ring (Dipstick)
847	697087	1	Dipstick/Tube Assembly
★943	690589	1	Seal-O Ring (Oil Pump Cover)
965	499613	1	Cover-Oil Pump
1024	499054	1	Pump-Oil
1027	492932	1	Filter-Oil

Ref. No.	Part No.	Qty.	Description

★ Included in Engine Gasket Set-Ref. 358.



Assemblies include all parts shown in frames.

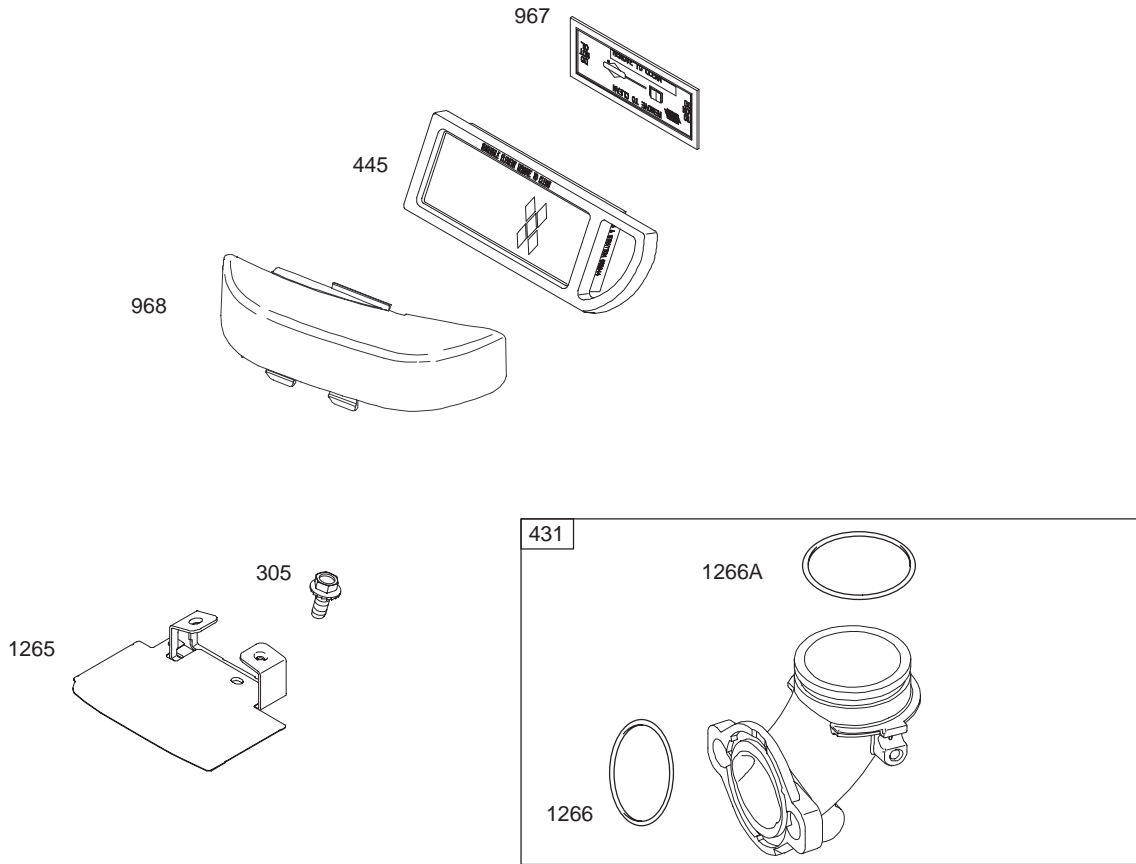
## Carburetor Assembly Engine Briggs and Stratton Model 286H77-0121-E1

Ref. No.	Part No.	Qty.	Description
★△◆51	692137	1	Gasket-Intake
53	690227	1	Stud (Carburetor)
●93	690602	1	Bushing-Throttle Shaft
94	498030	1	Kit-Idle Mixture
●95	691636	1	Screw (Throttle Valve)
98	495800	1	Kit-Idle Speed
●104	690525	1	Pin-Float Hinge
●105	231855	1	Valve-Float Needle
●106	690577	1	Seat-Inlet
108	690464	1	Valve-Choke (Manual Choke)
108A	692344	1	Valve-Choke (Choke A Matic)
●117	694352	1	Jet-Main (Standard)
118	697228	1	Jet-Main (High Altitude)
125	697190	1	Carburetor
130	691750	1	Valve-Throttle
131	494379	1	Kit-Throttle Shaft
133	494381	1	Float-Carburetor
◆137	281165	1	Gasket-Float Bowl

Ref. No.	Part No.	Qty.	Description
141	495097	1	Kit-Choke Shaft (Manual Choke)
141A	495931	1	Kit-Choke Shaft (Choke A Matic)
●142	697140	1	Nozzle-Carburetor
186	692317	1	Connector-Hose Line-Fuel
187	691050	1	(Cut to Required Length)
●231	691636	1	Screw (Choke Valve)
240	394358	1	Filter-Fuel
◆276	692255	1	Sealing Washer
601	95162	1	Clamp-Hose
●634	690801	1	Spring/Seal Assembly
●634A	690802	1	Spring/Seal Assembly
654	690958	1	Nut (Carburetor)
947	694393	1	Solenoid-Fuel
950	691657	1	Screw (Float Bowl)
975	495933	1	Bowl-Float
●987	691326	1	Seal-Throttle Shaft
1091	691333	1	Cap-Limiter

△ Included in Valve Gasket Set-Ref. 1095.  
★ Included in Engine Gasket Set-Ref. 358.

● Included in Carburetor Overhaul Kit-Ref. 121.  
◆ Included in Carburetor Gasket Set-Ref. 977.



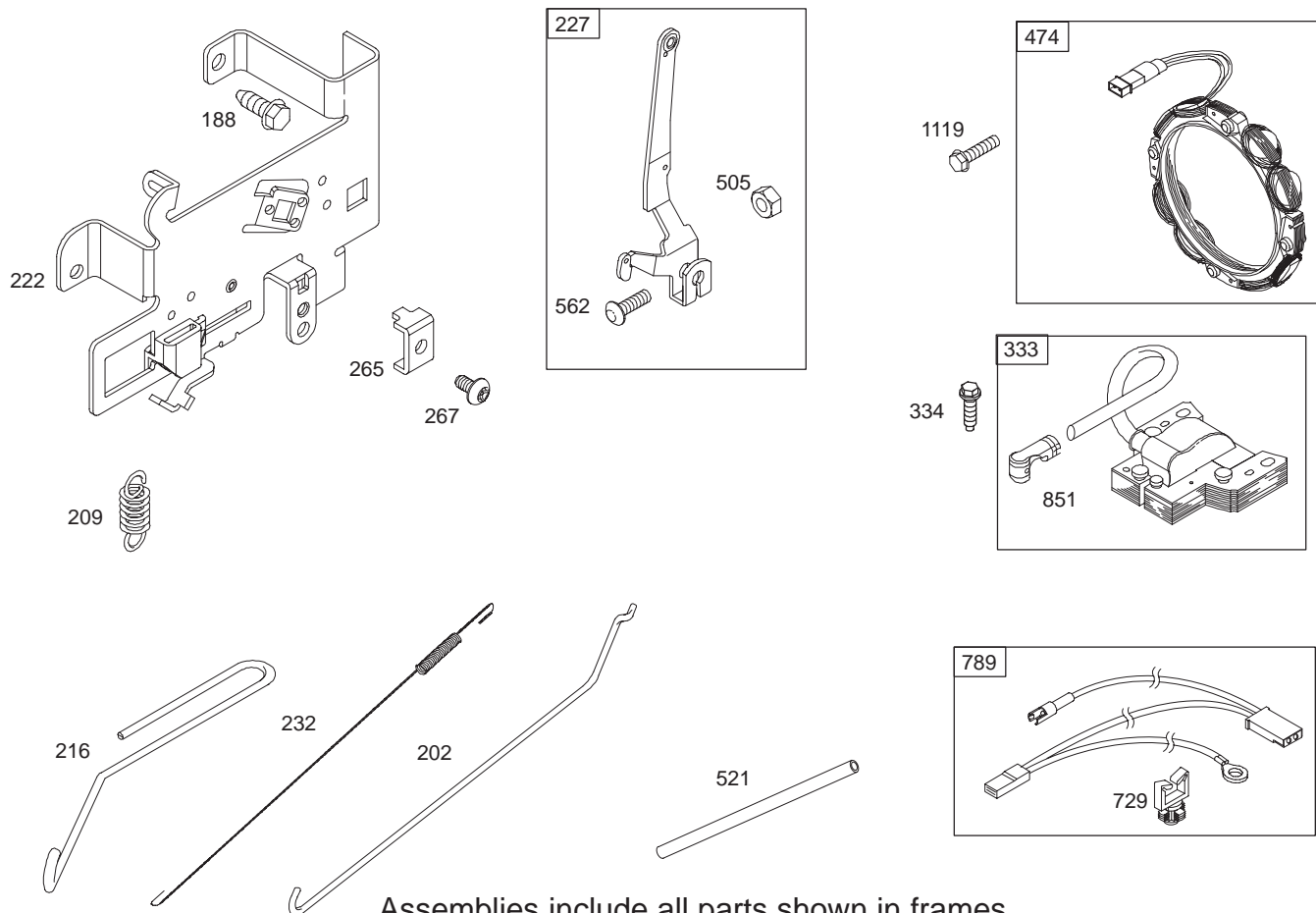
Assemblies include all parts shown in frames.

## Air Cleaner Assembly Engine Briggs and Stratton Model 286H77-0121-E1

Ref. No.	Part No.	Qty.	Description
305	690960	1	Screw (Blower Housing Support)
431	697122	1	Elbow-Intake
445	697014	1	Filter-Air Cleaner Cartridge
967	697015	1	Filter-Pre Cleaner
968	697084	1	Cover-Air Cleaner
1265	697125	1	Support-Blower Housing
★1266	691917	1	Seal-O Ring (Intake Elbow)
★1266A	697123	1	Seal-O Ring (Intake Elbow)

Ref. No.	Part No.	Qty.	Description

★ Included in Engine Gasket Set-Ref. 358.



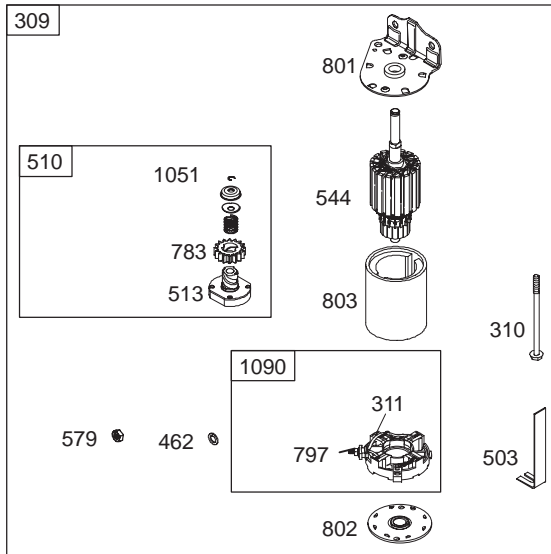
Assemblies include all parts shown in frames.

## Governor Assembly Engine Briggs and Stratton Model 286H77-0121-E1

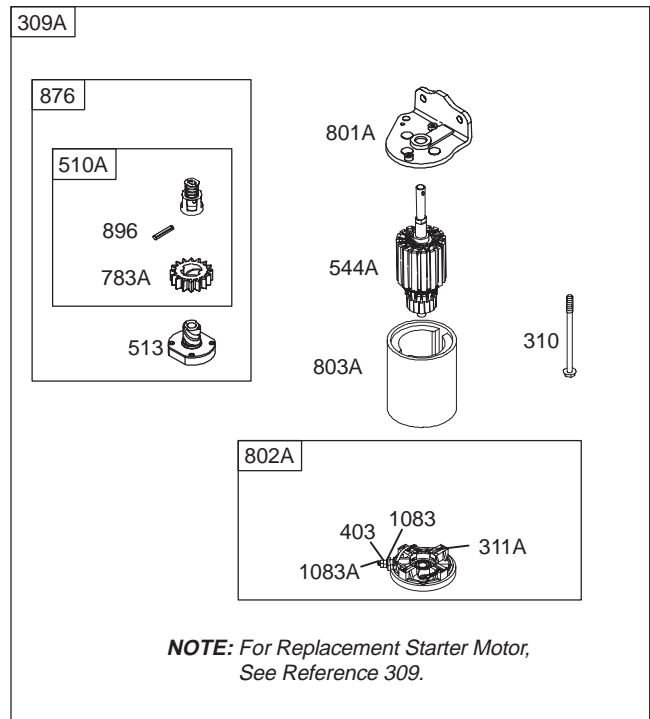
Ref. No.	Part No.	Qty.	Description
188	691693	1	Screw (Control Bracket)
202	691841	1	Link-Mechanical Governor
209	692208	1	Spring-Governor
216	691840	1	Link-Choke
222	694042	1	Bracket-Control
227	691374	1	Lever-Governor Control
232	691842	1	Spring-Governor Link
265	691024	1	Clamp-Casing
267	695134	1	Screw (Casing Clamp)
333	492341	1	Armature-Magneto
334	691061	1	Screw (Magneto Armature)
474	696459	1	Alternator
505	691251	1	Nut (Governor Control Lever)
521	690581	1	Shield-Cable
562	691119	1	Bolt (Governor Control Lever)

Ref. No.	Part No.	Qty.	Description
729	691335	1	Clip-Wire
789	692037	1	Wiring-Harness
851	493880	1	Terminal-Spark Plug
1119	691183	1	Screw (Alternator)





729A  
697



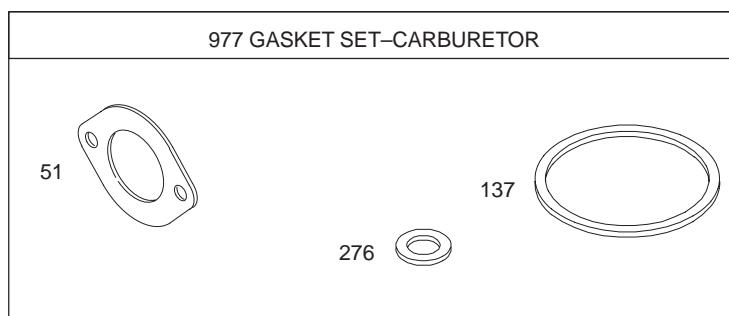
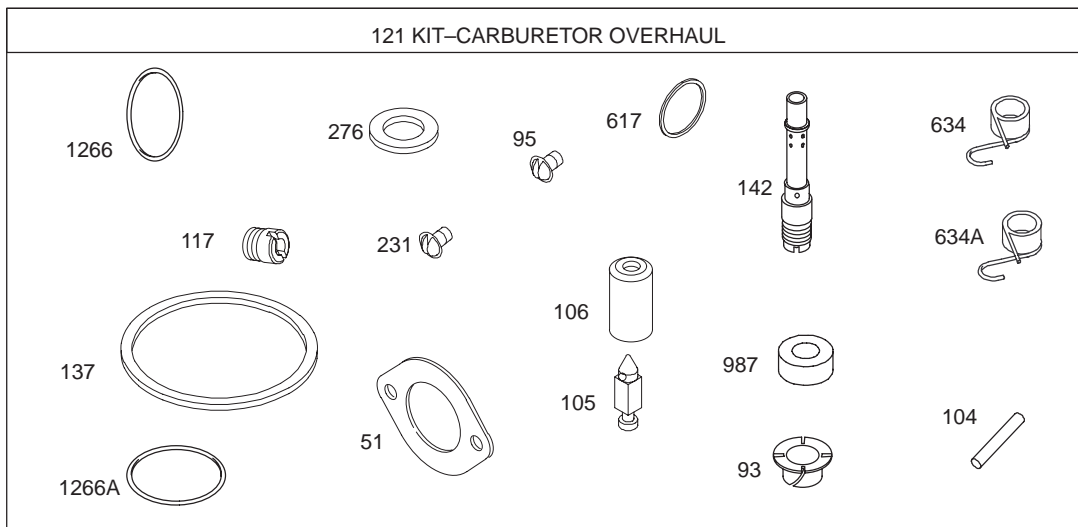
**NOTE:** For Replacement Starter Motor,  
See Reference 309.

## Starter Assembly Engine Briggs and Stratton Model 286H77-0121-E1

Ref. No.	Part No.	Qty.	Description
309	693551	1	Motor-Starter
309A		1	Motor-Starter (For Replacement Starter Motor, See Ref. 309)
310	690323	1	Bolt (Starter Motor)
311	497608	1	Brush Set
311A	395538	1	Brush Set
403	690288	1	Washer (End Cap)
462	691261	1	Washer (Brush Retainer)
503	691532	1	Strap-Starter
510	693699	1	Drive-Starter
510A	495878	1	Drive-Starter
513	692024	1	Drive Clutch
544	692034	1	Armature-Starter
544A	390837	1	Armature-Starter
579	691029	1	Nut (Brush Retainer)
697	690372	1	Screw (Drive Cap)
729A	691224	1	Clip-Wire

Ref. No.	Part No.	Qty.	Description
783	693713	1	Gear-Pinion
783A	693059	1	Gear-Pinion
797	693167	1	Nut (Brush Retainer)
801	691283	1	Cap-Drive
801A	691429	1	Cap-Drive
802	691286	1	Cap-End
802A	395537	1	Cap-End
803	693757	1	Housing-Starter
803A	398159	1	Housing-Starter
876	495877	1	Kit-Gear
896	691641	1	Pin-Drive Retainer
1051	691265	1	Ring-Retaining
1090	691293	1	Retainer-Brush
1083	690958	1	Nut (End Cap)
1083A	691626	1	Nut (End Cap)





Assemblies include all parts shown in frames.

## Carburetor Overhaul Kit Assembly Engine Briggs and Stratton Model 286H77-0121-E1

Ref. No.	Part No.	Qty.	Description
★△◆51	692137	1	Gasket-Intake
●93	690602	1	Bushing-Throttle Shaft
●95	691636	1	Screw (Throttle Valve)
●104	690525	1	Pin-Float Hinge
●105	231855	1	Valve-Float Needle
●106	690577	1	Seat-Inlet
●117	694352	1	Jet-Main (Standard)
121	697154	1	Kit-Carburetor Overhaul
◆137	281165	1	Gasket-Float Bowl
●142	697140	1	Nozzle-Carburetor
●231	691636	1	Screw (Choke Valve)
◆276	692255	1	Washer-Sealing
★●617	692138	1	Seal-O Ring (Intake Manifold)
●634	690801	1	Spring/Seal Assembly
●634A	690802	1	Spring/Seal Assembly
977	690192	1	Gasket Set-Carburetor
●987	691326	1	Seal-Throttle Shaft
★●1266	691917	1	Seal-O Ring (Intake Elbow)

Ref. No.	Part No.	Qty.	Description
★●1266A	697123	1	Seal-O Ring (Intake Elbow)

△ Included in Valve Gasket Set-Ref. 1095.  
★ Included in Engine Gasket Set-Ref. 358.

● Included in Carburetor Overhaul Kit-Ref. 121.  
◆ Included in Carburetor Gasket Set-Ref. 977.





