



Count on it.

Parts Catalog

STX-26 Stump Grinder

Model No. 23210—Serial No. 312000001 and Up

Model No. 23210G—Serial No. 312000001 and Up



Ordering Replacement Parts

To order replacement parts, please supply the part number, the quantity, and the description of each part desired.

Understanding Reference Numbers

Each identified part in an illustration has a reference number. The reference number for a part also appears in the parts list, along with other information about the part.

This catalog uses two special reference number formats, one to indicate parts in a service assembly and another to indicate the quantity of a given part in an illustration.

Service Assembly Reference Numbers

Parts in service assemblies have reference numbers in the form a:b. The a represents the reference number of the entire service assembly and the b represents a sequential number unique to each part within the service assembly.

For example, a wheel assembly might be identified by reference number 6, the tire by 6:1, the valve by 6:2, and the wheel by 6:3. When you order the assembly identified by reference number 6, you receive all parts identified by reference numbers 6:1, 6:2, and 6:3. However, you may also order any part individually. Reference numbers of this type appear in illustration and in parts lists.

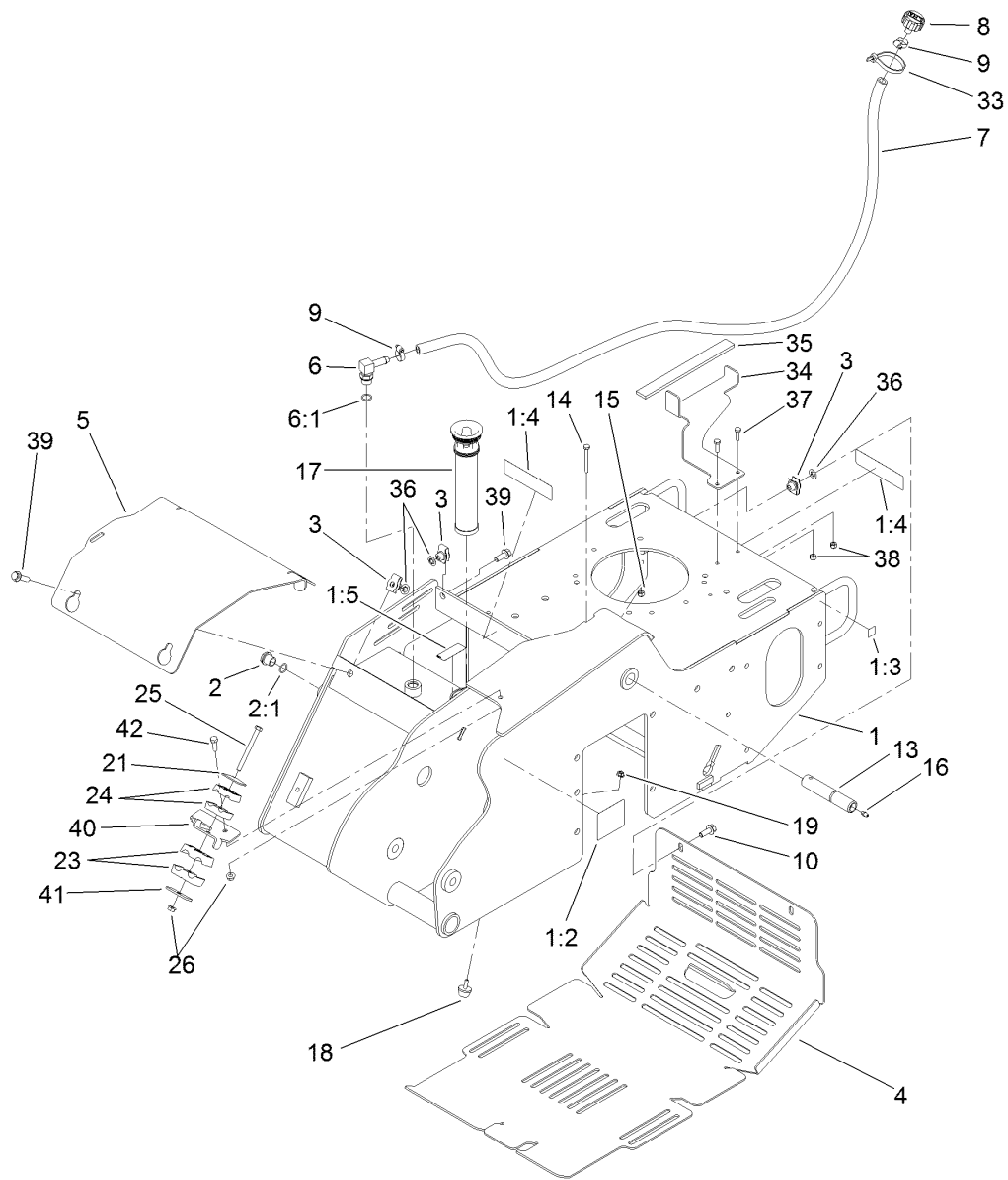
Reference Numbers Indicating Quantity

In an illustration, if a reference number indicates more than one part, the reference number has the form nX y. The n represents the quantity of the part, the X is the multiplication symbol, and the y represents the reference number.

For example, in an illustration, the reference number 2X 37 means that two of the parts identified by reference number 37 are indicated.

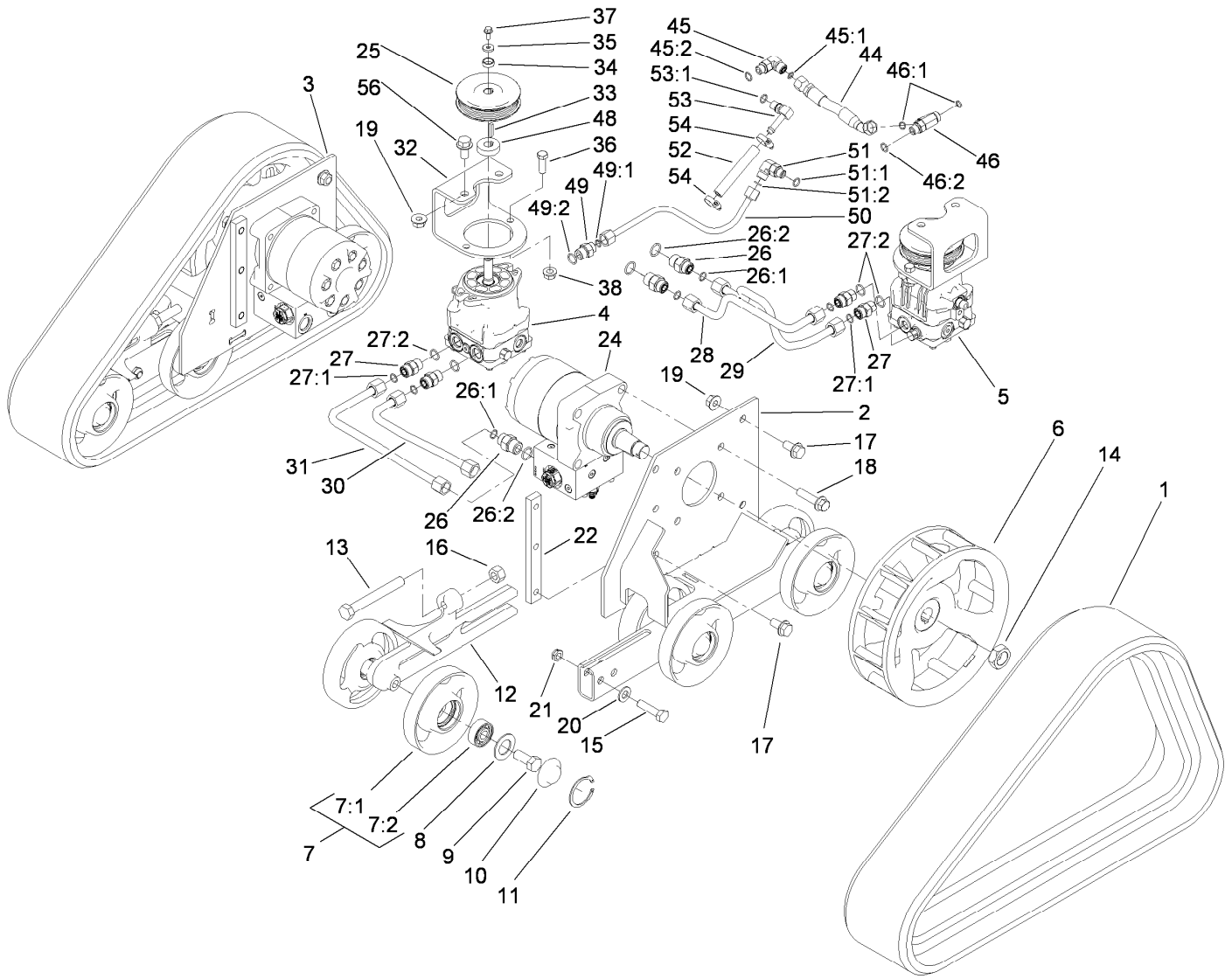
Contents

Main Frame Assembly	4
Track and Traction Assembly	5
Hydraulic Pump Assembly No. 117-6409	7
Hydraulic Pump Assembly No. 117-6410	8
Hydraulic Motor Assembly 119-4557	9
Engine Assembly	10
Hydraulic Gear Pump Assembly No. 117-6444	12
Traction Control Assembly	14
Cutter Head Assembly	16
Hydraulic Cylinder Assembly No. 117-6441	18
Hydraulic Cylinder Assembly No. 112-2602	19
Hydraulic Motor Assembly No. 119-4551	20
Control Tower Assembly	21
Control Valve Assembly	23
Control Valve Assembly No. 119-4585	24
Cutter Wheel Valve Assembly No. 119-4586	25
Two-Button Handle Grip Assembly No. 119-4587	26
Oil Cooler Assembly	27
Hydraulic Routing Assembly	28
Electrical Assembly	30
Cylinder and Crankcase Assembly	31
Piston and Crankshaft Assembly	32
Valve and Camshaft Assembly	33
Lubrication Equipment Assembly	34
Cooling Equipment Assembly	35
Electric Equipment Assembly	36
Control Equipment Assembly	37
Carburetor Assembly	38
Air Filter and Muffler Assembly	40
Fuel Tank and Valve Assembly	41
Starter Assembly	42
Label Set	43
Attachments and Accessories	44



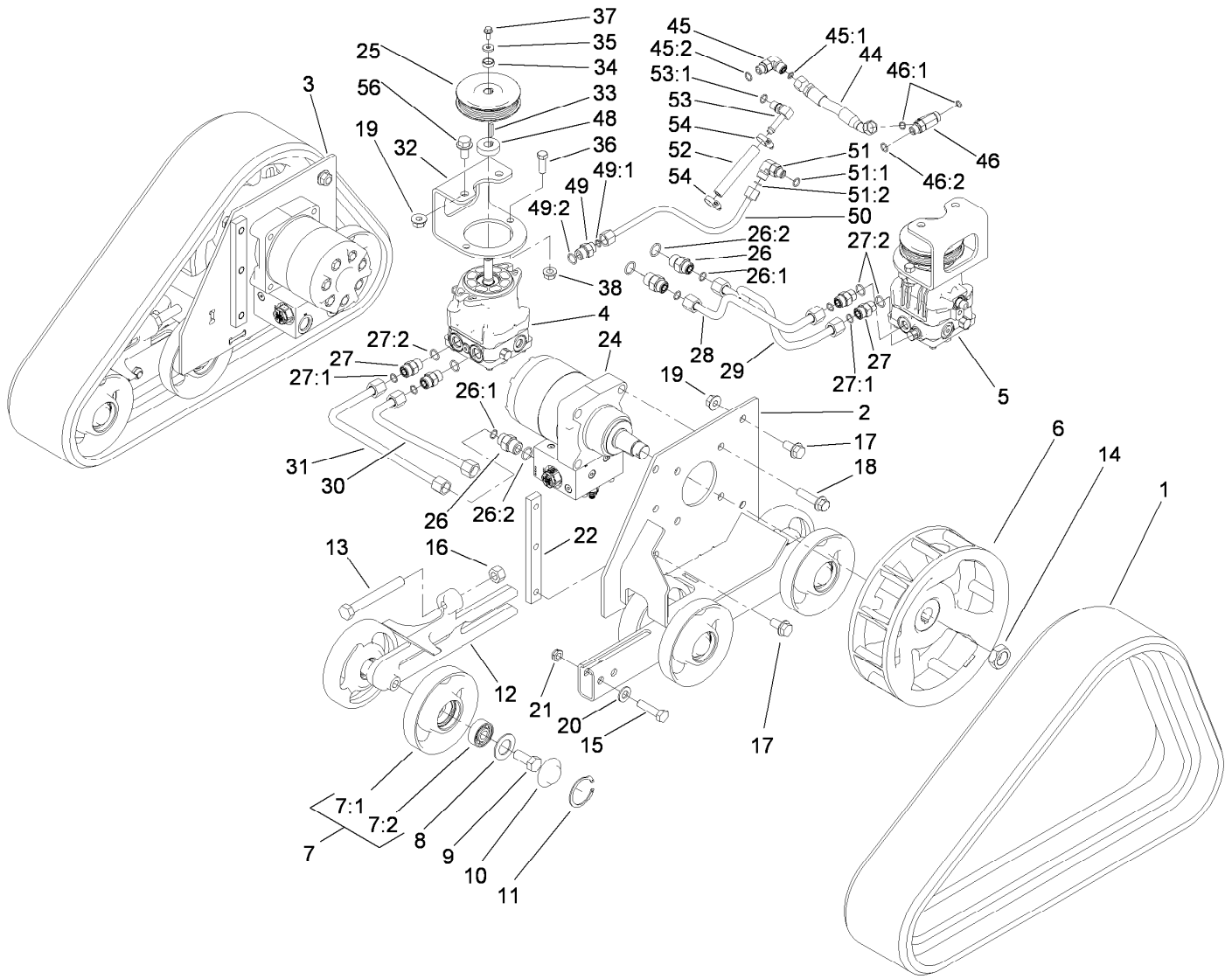
Main Frame Assembly

Ref.	Part Number	Qty.	Description	Ref.	Part Number	Qty.	Description
1	114-8630	1	Main Frame ASM	16	302-5	1	Fitting-Grease
1:2	100-4650	1	Decal-Warning	17	114-3039	1	Filter-Tank, In
1:3	93-9084	2	Decal-Point, Lift	18	1-523420	1	Bumper
1:4	93-7814	2	Decal-Danger	19	32128-33	1	Nut-HF
1:5	93-6686	1	Decal-Oil, HYD	21	69-9760	1	Plate-Cover
2	114-3075	1	Sight Glass ASM	23	94-8105	2	Clamp-Tube
2:1	237-79	1	O-Ring	24	56-7976	2	Clamp-Tube
3	112-4576	5	Nut-Clip, U	25	322-22	1	Screw-HH
4	119-5106-01	1	Cover-Rear	26	32128-20	2	Nut-HF
5	119-4566-03	1	Plate-Cover, Front	33	3334-945	1	Tie-Cable
6	354-120	1	Fitting-Elbow, 90	34	119-5091-01	1	Bracket-Tank
6:1	237-79	1	O-Ring	35	117-6417	1	Pad-Foam
7	114-3042	1	Hose-Breather	36	107-3154	5	Nut-Push
8	68-6150	1	Breather	37	321-5	2	Screw-HH
9	2412-36	2	Clamp-Hose	38	3296-42	2	Nut-Lock, NI
10	3234-11	2	Screw-HHF	39	3234-18	3	Screw-HHF
13	120-7352	1	Pin-Pivot	40	119-4634-01	1	Bracket-Clamp
14	321-18	1	Screw-HH	41	119-4636	1	Plate-Clamp
15	3296-42	1	Nut-Lock, NI	42	322-5	1	Screw-HH



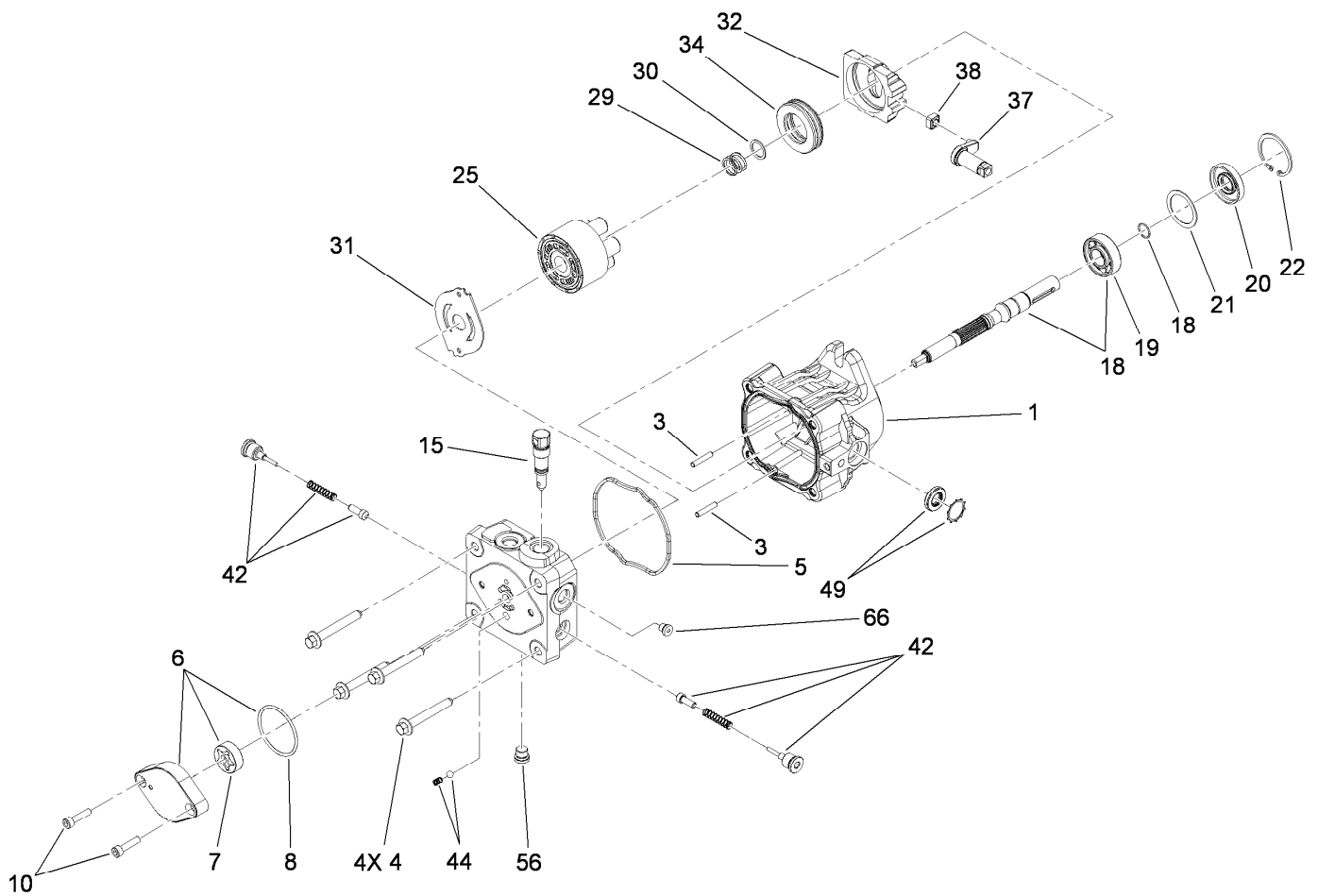
Track and Traction Assembly

Ref.	Part Number	Qty.	Description	Ref.	Part Number	Qty.	Description
1	112-4816	2	Track-Rubber	20	3256-26	4	Washer-Flat
2	114-2992-03	1	Frame-Track, LH	21	3296-45	4	Nut-Hex
3	114-2993-03	1	Frame-Track, RH	22	114-3091	2	Bar-Thread
4	117-6409	1	RH HYD Pump ASM	24	119-4557	2	HYD Motor ASM
5	117-6410	1	LH HYD Pump ASM	25	115-1298	2	Sheave
6	117-6426-03	2	Wheel-Drive	26	340-6	4	Fitting-Straight
7	112-4817	12	Wheel-Tensioner	26:1	237-30	1	O-Ring
7:1	114-3014-03	1	Wheel-Track	26:2	237-80	1	O-Ring
7:2	93-4237	1	Bearing	27	340-4	4	Fitting-Straight
8	106-7585	12	Gasket-Bogie	27:1	237-30	1	O-Ring
9	327-4	12	Screw-HH	27:2	237-79	1	O-Ring
10	106-7557	12	Cap-Wheel, Bearing	28	119-4581	1	Tube-HYD
11	106-7595	12	Ring-Snap, Internal	29	119-4582	1	Tube-HYD
12	114-3077-03	2	Tensioner-Track	30	119-4583	1	Tube-HYD
13	112-4874	2	Screw-HH, TAP	31	119-4584	1	Tube-HYD
14	106-8159	2	Nut-Lock	32	115-1289-03	2	Bracket-Mount, Pump
15	325-8	4	Screw-HH	33	80-6090	2	Key-Pump
16	3217-11	2	Nut-Hex	34	108-4211	2	Bushing
17	3234-6	10	Screw-HHF	35	73-3580	2	Washer
18	3234-27	8	Screw-HHF	36	324-5	4	Screw-HH
19	32128-49	8	Nut-HHF	37	33103-016	2	Screw-HHF



Track and Traction Assembly (continued)

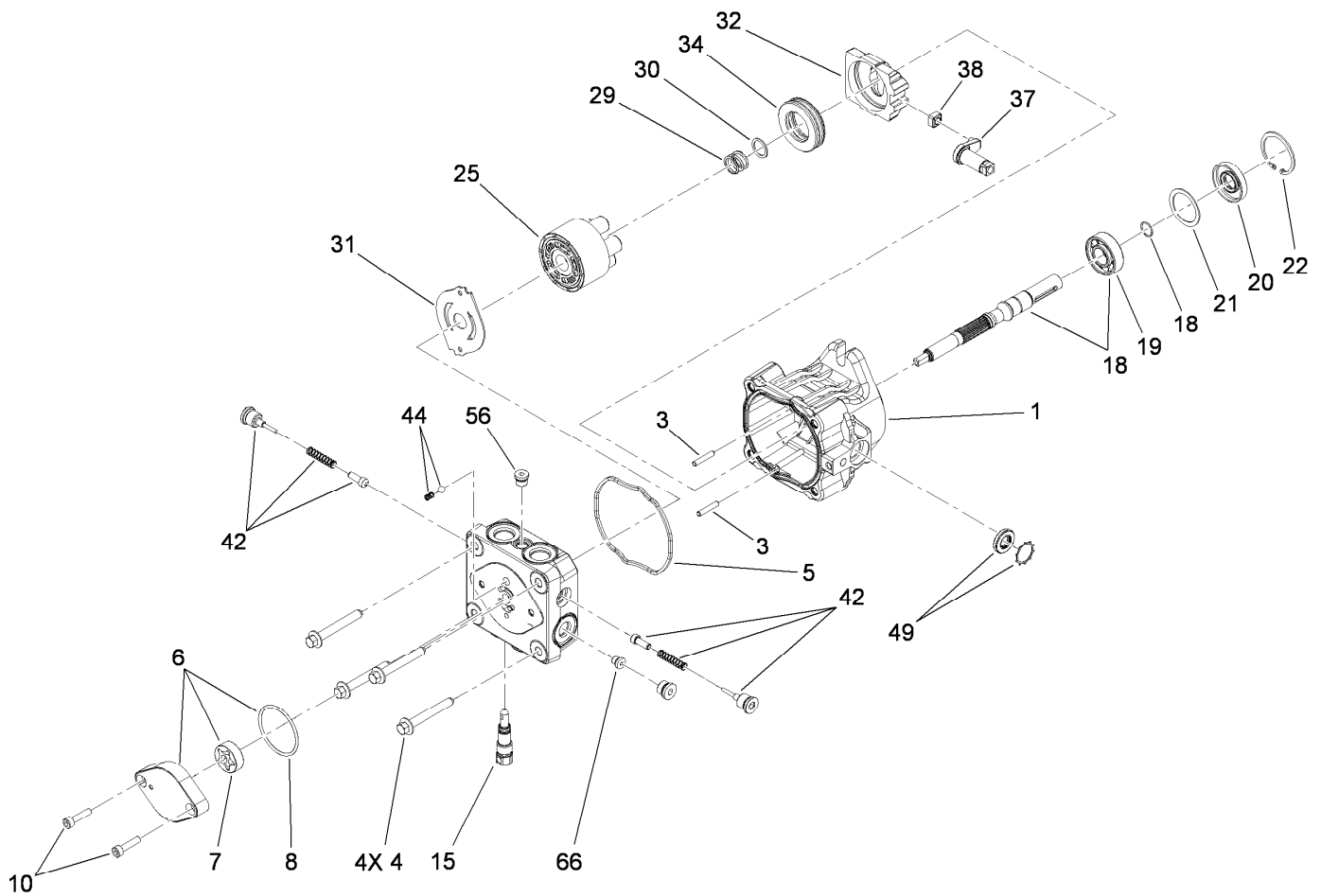
<i>Ref.</i>	<i>Part Number</i>	<i>Qty.</i>	<i>Description</i>	<i>Ref.</i>	<i>Part Number</i>	<i>Qty.</i>	<i>Description</i>
38	32128-42	4	Nut-HF	49:2	237-79	1	O-Ring
44	115-1297	1	Hose-HYD	50	117-1305	1	Tube-HYD
45	340-77	1	Fitting-Elbow, 90 DEG	51	340-77	1	Fitting-Elbow, 90 DEG
45:1	237-22	1	O-Ring	51:1	237-22	1	O-Ring
45:2	237-42	1	O-Ring	51:2	237-42	1	O-Ring
46	340-86	1	Fitting-Tee	52	115-4083	1	Hose
46:1	237-22	2	O-Ring	53	100-4887	1	Fitting-Elbow, 90
46:2	237-42	1	O-Ring	53:1	237-42	1	O-Ring
48	115-4002	2	Spacer	54	2412-36	2	Clamp-Hose
49	340-3	1	Fitting-Straight	56	325-4	4	Screw-HH
49:1	237-22	1	O-Ring				



Hydraulic Pump Assembly No. 117-6409

Ref.	Part Number	Qty.	Description	Ref.	Part Number	Qty.	Description
1	115-4464	1	Housing Kit	29	94-1936	1	Spring-Block
3	106-8753	2	Pin-Headless, Straight	30	94-1937	1	Washer-Thrust
4	106-8754	4	Bolt-HF	31	105-6185	1	Plate-Valve
5	106-8755	1	O-Ring	32	94-1907	1	Swashplate-Variable
6	106-8756	1	Charge Pump Kit	34	94-6922	1	Bearing-Thrust
7	104-2122	1	Gerotor ASM	37	115-4458	1	Arm-Trunnion, Tapered Square
8	106-8757	1	O-Ring	38	94-1910	1	Guide-Slot
10	104-2111	2	Capscrew	42	98-3252	2	Valve-Check (W/Poppet)
15	106-8759	1	Bypass Valve Kit	44	106-8760	1	Charge Relief Valve Kit
18	103-2664	1	Input Shaft Kit	49	114-8155	1	Trunnion Seal Kit
19	104-5311	1	Bearing-Ball	56	106-8762	1	Plug-HSH
20	104-5310	1	Seal-Lip	66	106-8763	1	Plug-HSH
21	104-5308	1	Spacer	99	105-6184	1	Seal Overhaul Kit ●
22	104-5309	1	Ring-Retaining				
25	103-2666	1	Cylinder Block Kit				

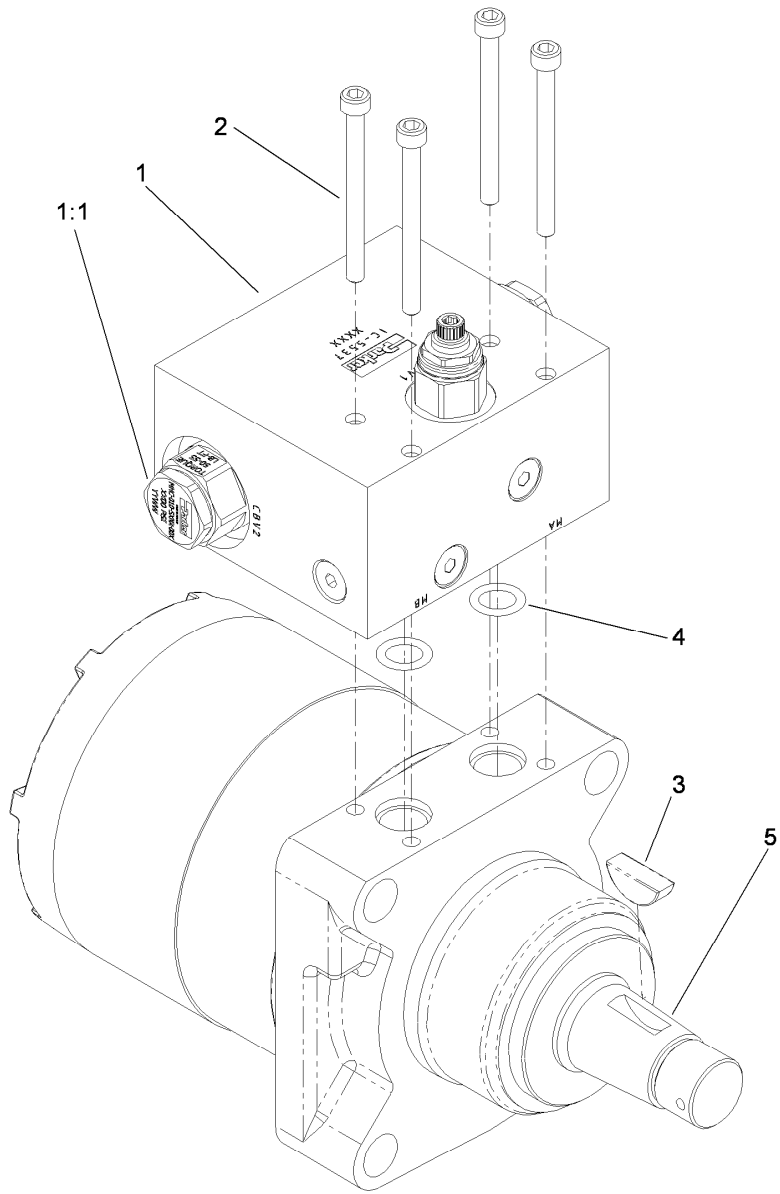
● Not illustrated



Hydraulic Pump Assembly No. 117-6410

Ref.	Part Number	Qty.	Description	Ref.	Part Number	Qty.	Description
1	115-4464	1	Housing Kit	29	94-1936	1	Spring-Block
3	106-8753	2	Pin-Headless, Straight	30	94-1937	1	Washer-Thrust
4	106-8754	4	Bolt-HF	31	105-6185	1	Plate-Valve
5	106-8755	1	O-Ring	32	94-1907	1	Swashplate-Variable
6	106-8756	1	Charge Pump Kit	34	94-6922	1	Bearing-Thrust
7	104-2122	1	Gerotor ASM	37	115-4458	1	Arm-Trunnion, Tapered Square
8	106-8757	1	O-Ring	38	94-1910	1	Guide-Slot
10	104-2111	2	Capscrew	42	98-3252	2	Valve-Check (W/Poppet)
15	106-8759	1	Bypass Valve Kit	44	106-8760	1	Charge Relief Valve Kit
18	103-2664	1	Input Shaft Kit	49	114-8155	1	Trunnion Seal Kit
19	104-5311	1	Bearing-Ball	56	106-8762	1	Plug-HSH
20	104-5310	1	Seal-Lip	66	106-8763	1	Plug-HSH
21	104-5308	1	Spacer	99	105-6184	1	Seal Overhaul Kit ●
22	104-5309	1	Ring-Retaining				
25	103-2666	1	Cylinder Block Kit				

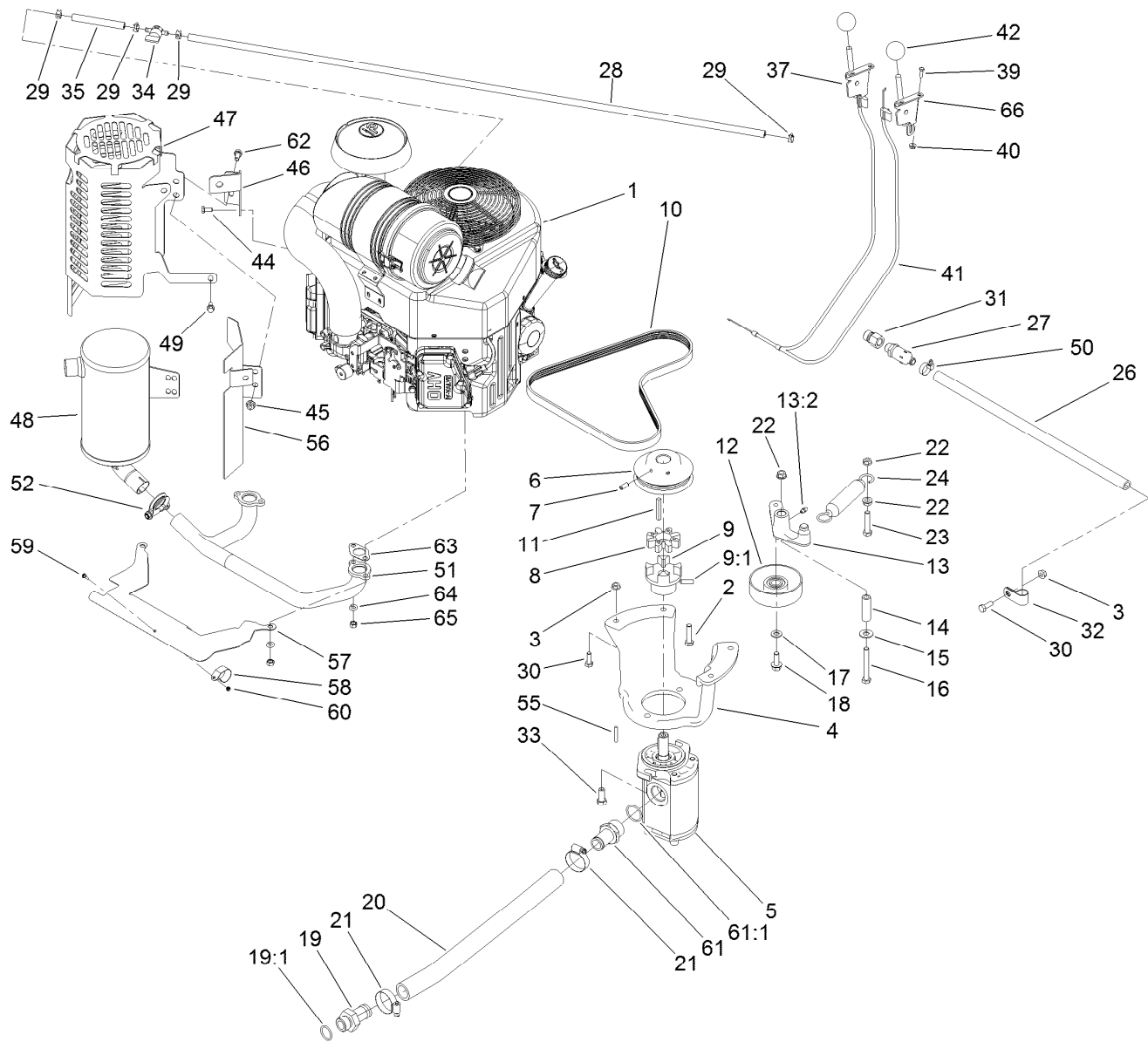
● Not illustrated



Hydraulic Motor Assembly 119-4557

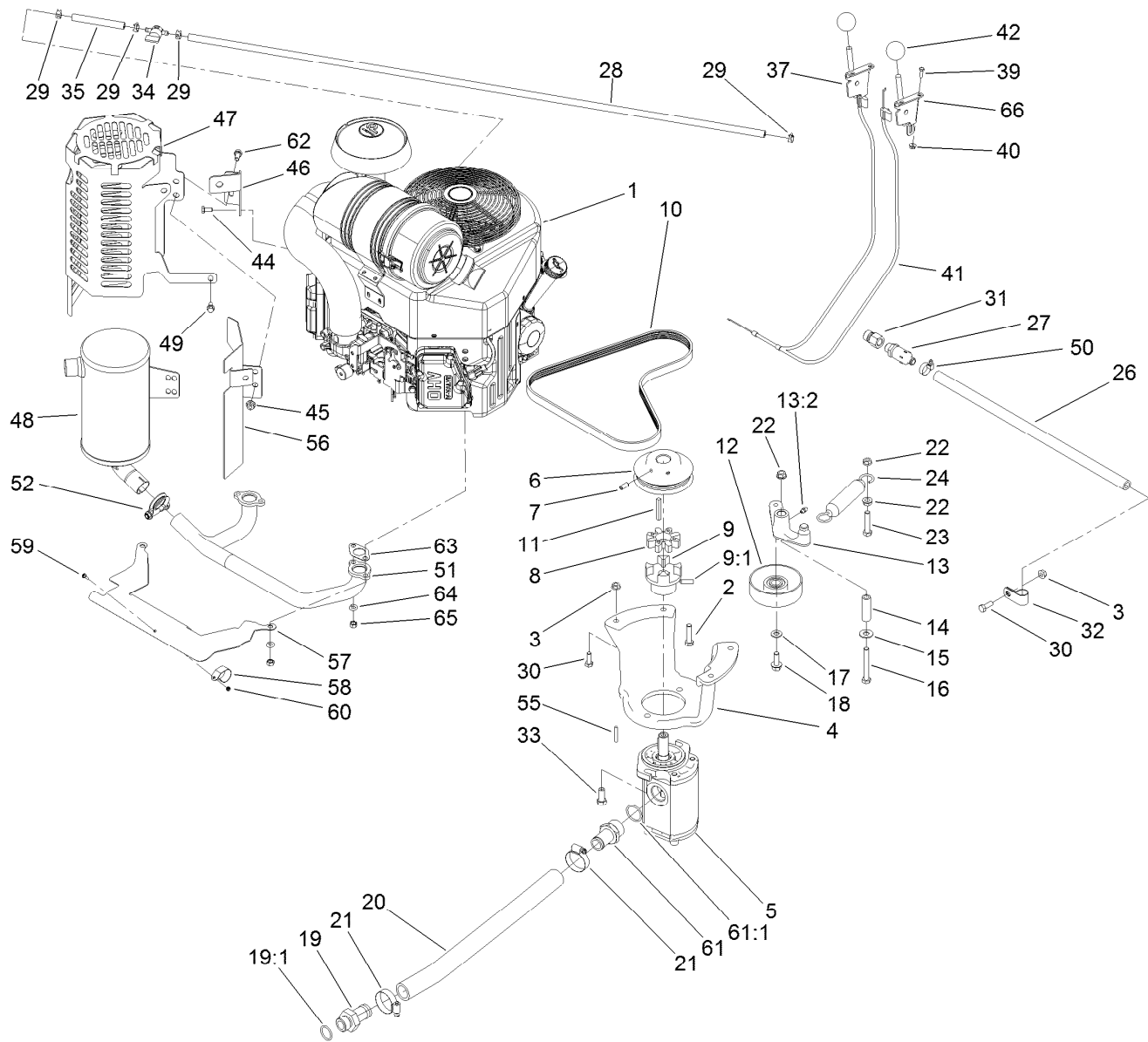
<i>Ref.</i>	<i>Part Number</i>	<i>Qty.</i>	<i>Description</i>
1	119-4599	1	Counterbalance Valve ASM
1:1	119-4608	2	Valve-Cartridge
2	119-4611	4	Bolt-HSH
3	3257-42	1	Key-Woodruff
4	120-0691	2	O-Ring
5	76-0860	1	Shaft-Coupling
99	100-6131	1	Motor Seal Kit ●

● Not illustrated



Engine Assembly

Ref.	Part Number	Qty.	Description	Ref.	Part Number	Qty.	Description
1	117-6305	1	Engine-Kawasaki, Fx730V	19:1	237-81	1	O-Ring
2	323-8	4	Screw-HH	20	114-2917	1	Hose-Suction
3	32128-20	3	Nut-HF	21	2412-111	2	Clamp-Hose, W/Liner
4	115-1480-03	1	Mount-Pump	22	3290-357	3	Nut-HSF
5	117-6444	1	Gear Pump ASM	23	323-9	1	Screw-HH
6	114-8559-03	1	Pulley-Engine	24	66-4270	1	Spring-Extension
7	3246-6	2	Screw-Set, HSH	26	99-1356	1	Hose-Vent
8	93-8827	1	Coupler-Spider	27	92-6877	1	Valve-Drain, Oil
9	114-2933	1	Coupler-Flex	28	110-3372	1	Hose-Fuel
9:1	100-7594	1	Screw-Set	29	2412-98	4	Clamp-Hose
10	114-2991	1	Belt-V	30	322-4	3	Screw-HH
11	608006	1	Key-Square	31	103-1966	1	Adapter-STR
12	95-8802	1	Pulley-Idler	32	2412-81	1	Clamp-R
13	117-6323	1	Idler Arm ASM	33	324-4	2	Screw-HH
13:2	302-5	1	Fitting-Grease	34	1-603770	1	Valve-Fuel
14	114-2916	1	Bushing-Idler	35	109-0295	1	Hose-Fuel
15	3256-4	1	Washer-Flat	37	108-9730	1	Lever-Control
16	323-13	1	Screw-HH	39	3290-134	4	Screw
17	3256-24	1	Washer-Plain	40	32128-17	4	Nut-Lock, Flange
18	3234-11	1	Screw-HHF	41	115-1211	2	Cable-Control
19	99-3017	1	Fitting	42	233-42	2	Knob

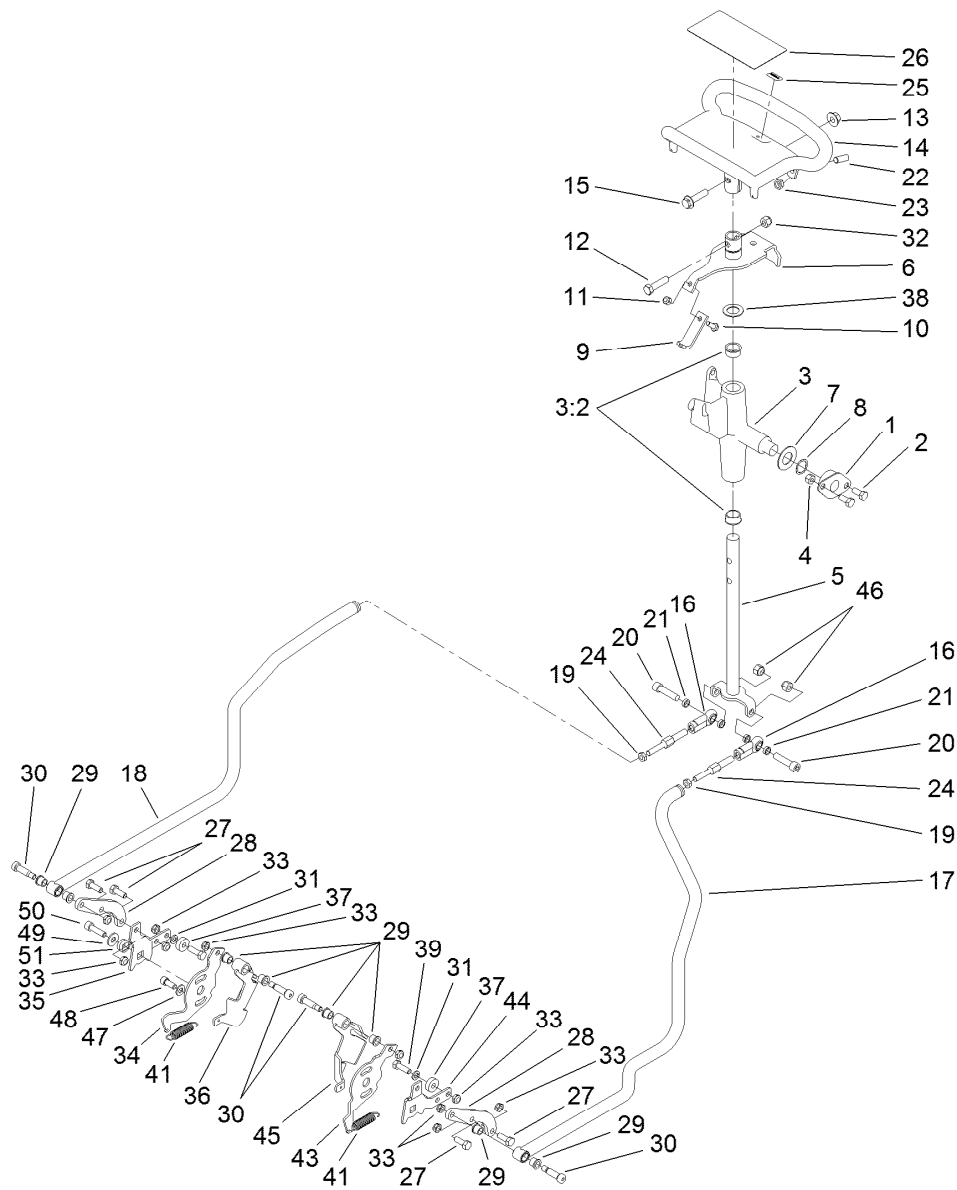


Engine Assembly (continued)

<i>Ref.</i>	<i>Part Number</i>	<i>Qty.</i>	<i>Description</i>	<i>Ref.</i>	<i>Part Number</i>	<i>Qty.</i>	<i>Description</i>
44	33114-016	2	Screw-HH	57	115-9227	1	Plate-Shield, Heat
45	112-2844	3	Nut-HF	58	115-6488	1	Clamp
46	115-9233-03	1	Bracket-Mount, Muffler	59	115-6494	1	Screw-Pan
47	115-9234-03	1	Shield-Muffler	60	115-6495	1	Nut-Hex
48	117-6319	1	Muffler	61	354-78	1	Fitting-STR
49	33103-016	1	Screw-HHF	61:1	237-146	1	O-Ring
50	2412-36	1	Clamp-Hose	62	33114-020	3	Screw-HH
51	117-6318	1	Manifold	63	117-8858	2	Gasket-Muffler
52	2112-11	1	Clamp-Muffler	64	115-6496	4	Washer-Spring
55	27-8590	1	Key-Square	65	115-6611	4	Nut-Hex
56	117-6337	1	Bracket-Shield, Heat	66	110-5547	1	Lever-Control

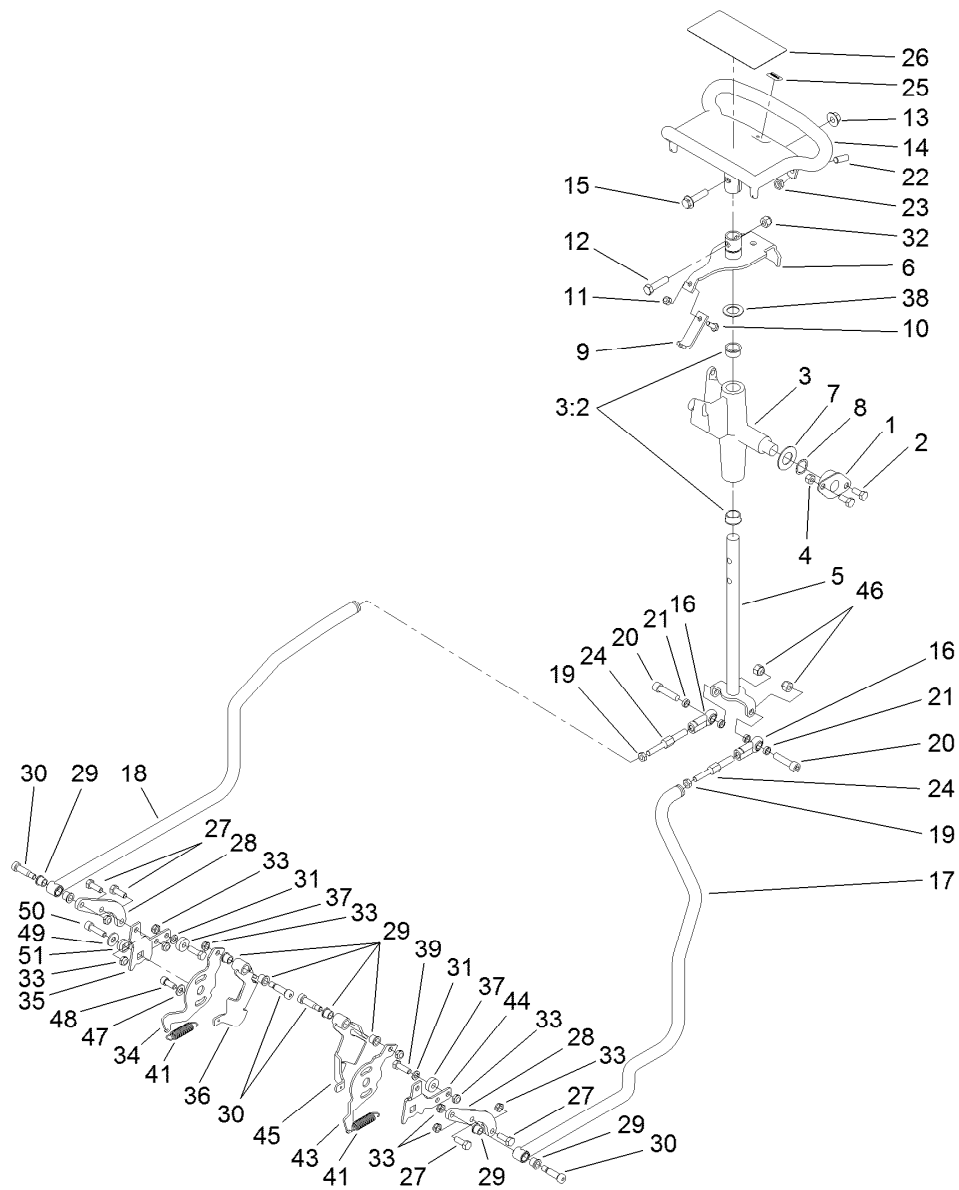
Hydraulic Gear Pump Assembly No. 117-6444 (continued)

<i>Ref.</i>	<i>Part Number</i>	<i>Qty.</i>	<i>Description</i>
1	138-5210	1	Kit-Seal, Pump



Traction Control Assembly

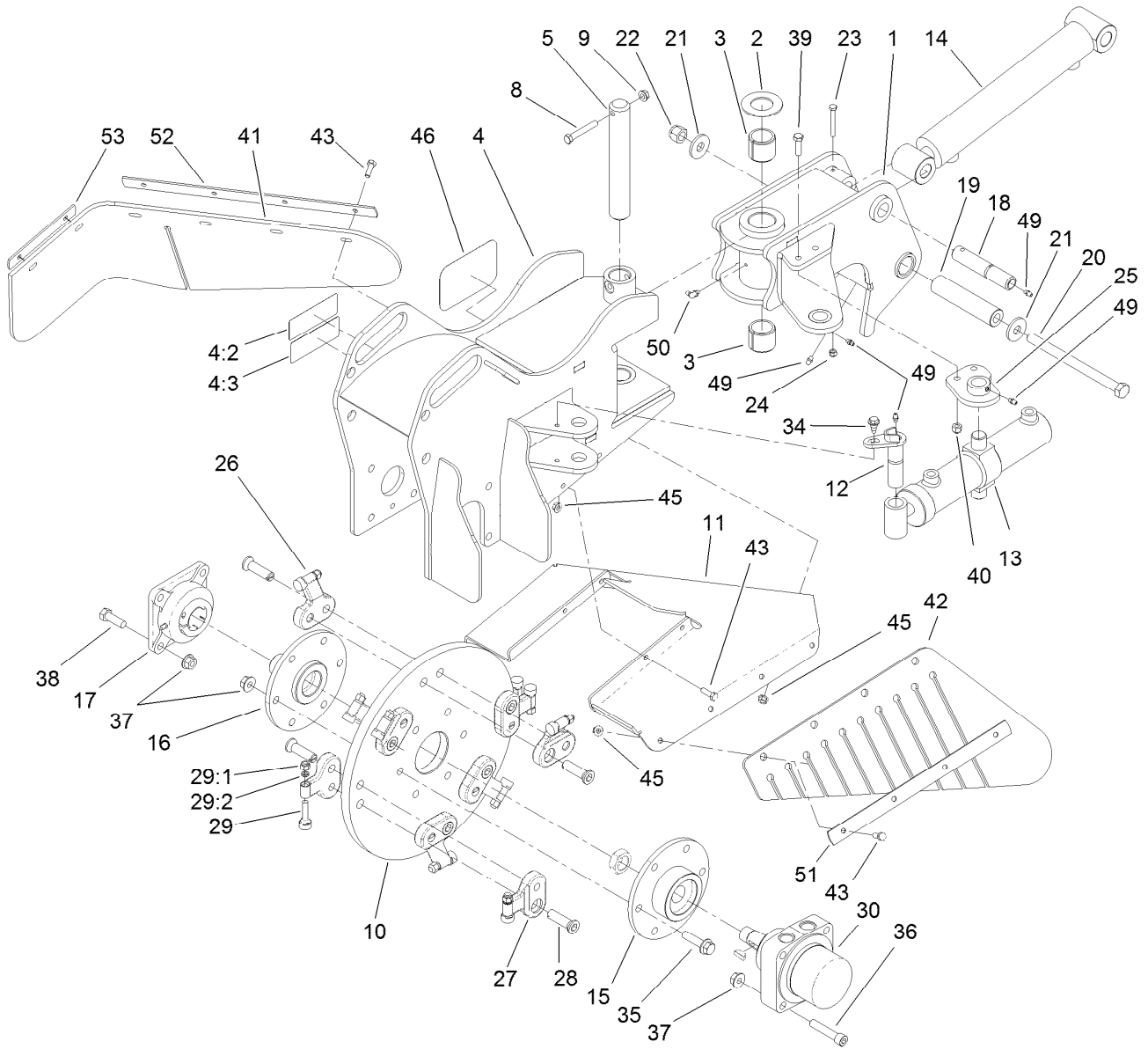
Ref.	Part Number	Qty.	Description	Ref.	Part Number	Qty.	Description
1	68-2970	2	Bushing	21	108-0634	4	Spacer-Plate, Retaining
2	322-3	4	Screw-HH	22	3247-6	2	Screw-Set
3	106-5737	1	Control Support ASM	23	3218-3	2	Nut-Jam
3:2	256-252	2	Bearing-Flange	24	117-6334	2	Link-Control, Adjustment
4	3296-29	4	Nut-Lock, NI	25	98-1459	1	Decal
5	117-6335	1	Rod-Drive	26	115-4020	1	Decal-Traction
6	112-2783	1	Lever-Pivot	27	322-4	4	Screw-HH
7	3256-39	2	Washer-Flat	28	115-1290	2	Plate-Adapter, Control, RH
8	95-3703	2	Washer-Spring, Wave	29	256-116	8	Bushing-Flange
9	115-1204	1	Plate-Neutral	30	114-8629	4	Bolt-Shldr
10	321-4	1	Screw-HH	31	3253-4	2	Washer-Lock
11	3296-42	1	Nut-Lock, NI	32	3296-39	1	Nut-Lock, NI
12	323-8	1	Screw-HH	33	3296-47	10	Nut-Lock,NI
13	32128-43	1	Nut-Flange	34	115-6535	1	Plate-Base, RH
14	106-7614-03	1	Handle-Control	35	115-6536	1	Plate-Arm, Return
15	3234-18	1	Screw-HHF	36	115-6636	1	Pivot-RH
16	103-1167	2	Joint-Ball End, LH	37	251-259	2	Bearing-Ball
17	119-5096	1	Rod-Control, LH	38	257-8	1	Washer-Thrust
18	119-5097	1	Rod-Control, RH	39	322-5	2	Screw-HH
19	3220-2	2	Nut-Jam	41	63-2870	2	Spring-Extension
20	3274-2	2	Screw-HSH	43	115-6549	1	Plate-Base, LH



Traction Control Assembly (continued)

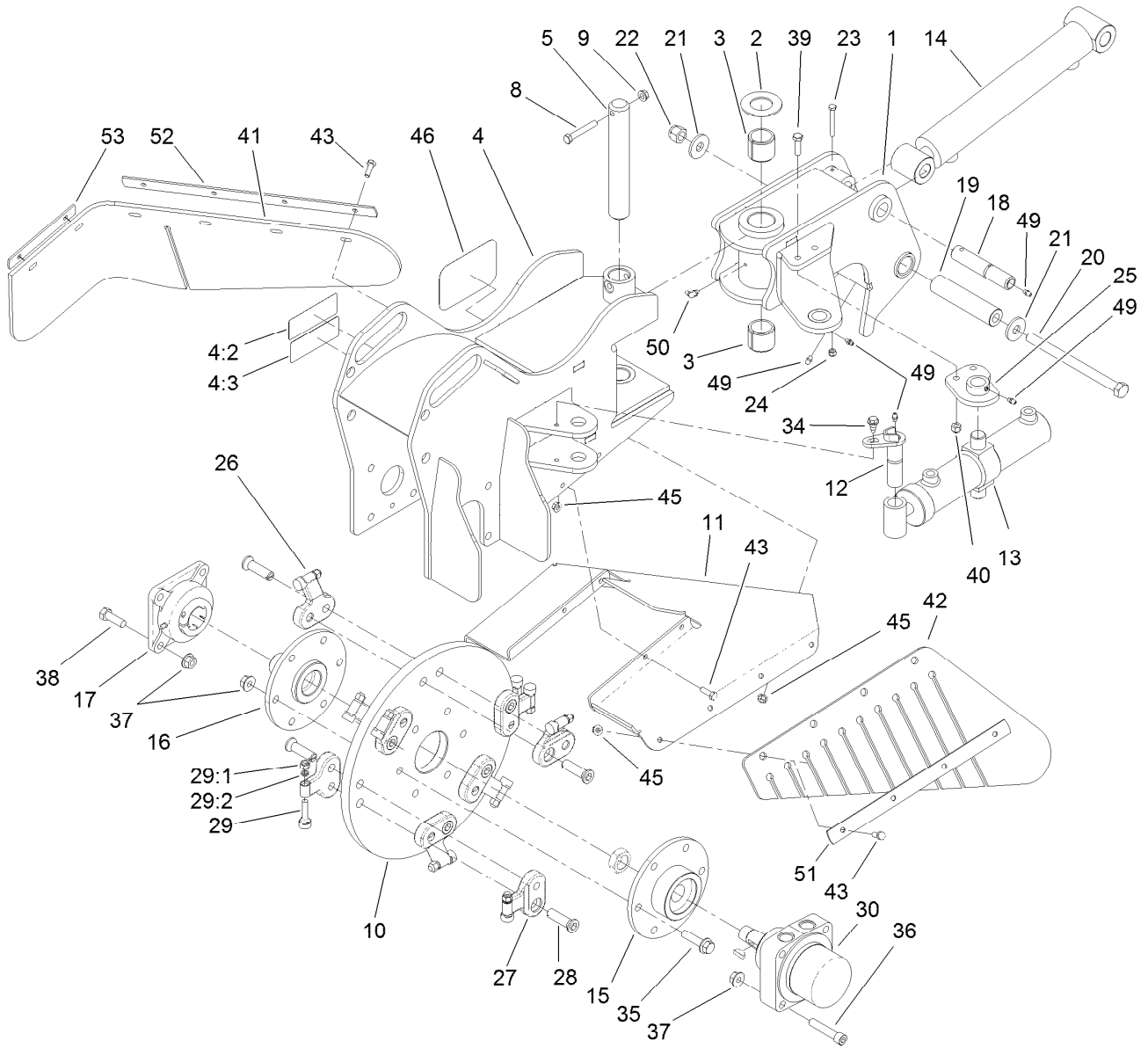
<i>Ref.</i>	<i>Part Number</i>	<i>Qty.</i>	<i>Description</i>
44	115-6628	1	Plate-Arm, Return, LH
45	115-6637	1	Pivot-LH
46	3296-39	2	Nut-Lock, NI
47	3290-456	2	Washer-Belleville

<i>Ref.</i>	<i>Part Number</i>	<i>Qty.</i>	<i>Description</i>
48	3273-14	2	Screw-HSH
49	3256-3	2	Washer-Flat
50	94-3559	2	Screw-HSH
51	117-6429	2	Lock-Trunion



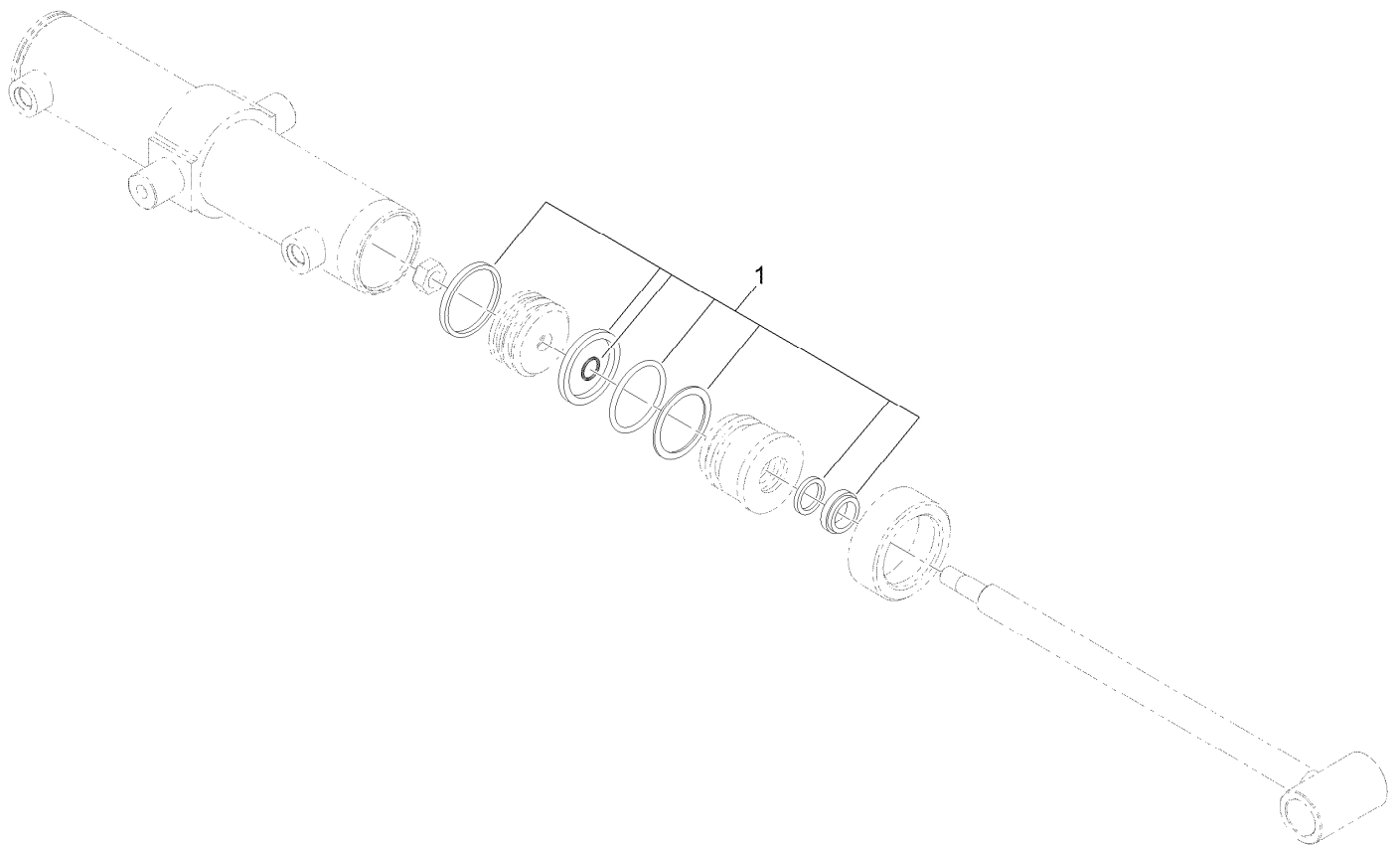
Cutter Head Assembly

Ref.	Part Number	Qty.	Description	Ref.	Part Number	Qty.	Description
1	117-6390-01	1	Pivot	22	3296-53	1	Nut-Lock, NI
2	99-2707	1	Washer	23	321-18	1	Screw-HH
3	99-2713	2	Bushing-Tension	24	3296-42	1	Nut-Lock, NI
4	119-4612	1	Frame ASM	25	115-9392-01	1	Mount-Cylinder
4:2	107-9366	1	Decal-Warning	26	115-9384	8	Pocket-Angled
4:3	93-7321	1	Decal-Danger	27	115-9388	4	Pocket-Straight
5	117-6445	1	Pin-Pivot	28	115-9386	12	Bolt-HSH, RH
8	323-47	1	Screw-HH	29	115-9385	12	Grinder Tooth ASM
9	3290-357	1	Nut-HSF	29:1	3296-39	1	Nut-Lock, NI
10	119-5050-03	1	Wheel-Cutter	29:2	121-4365	1	Spacer-Tooth
11	119-5064-03	1	Guard-Chip	30	119-4551	1	HYD Motor ASM
12	94-9797	1	Pin-Pivot	34	99-5105	1	Screw-Shoulder
13	117-6441	1	HYD Cylinder ASM	35	3234-27	6	Screw-HHF
14	112-2602	1	HYD Cylinder ASM	36	3274-71	4	Screw-HSH
15	119-4570-03	1	Hub-Drive	37	32128-49	14	Nut-HHF
16	115-9395-03	1	Shaft-Stub	38	325-6	4	Screw-HH
17	104-2026	1	Bearing	39	323-7	2	Screw-HH
18	120-7352	1	Pin-Pivot	40	3296-39	2	Nut-Lock, NI
19	114-8573	1	Spacer-Pivot	41	119-5060	1	Shield-Rubber, RH
20	117-6327	1	Bolt-HH	42	119-5061	1	Shield-Rubber, LH
21	104-9216	2	Washer-Hardened	43	322-5	14	Screw-HH



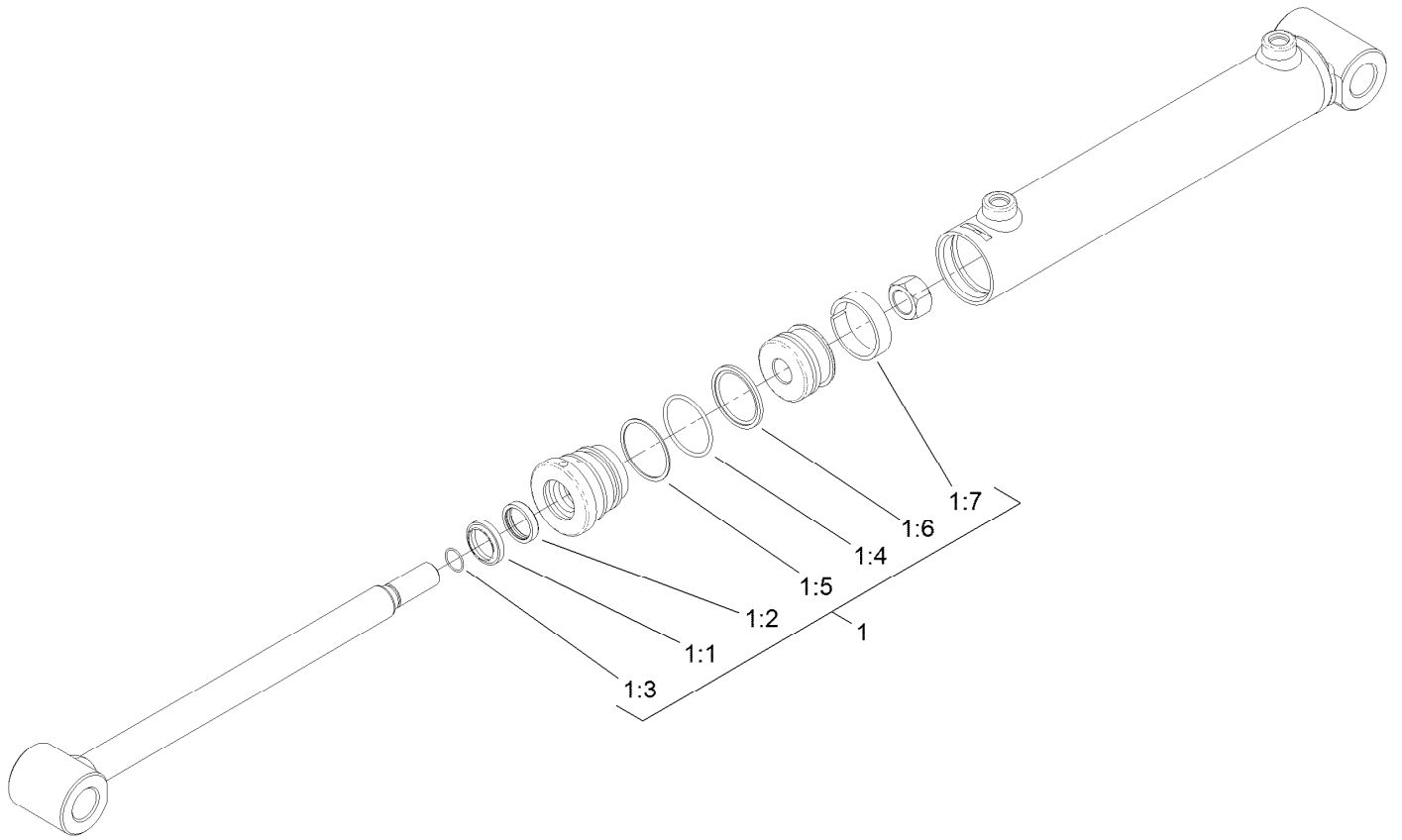
Cutter Head Assembly (continued)

<i>Ref.</i>	<i>Part Number</i>	<i>Qty.</i>	<i>Description</i>	<i>Ref.</i>	<i>Part Number</i>	<i>Qty.</i>	<i>Description</i>
45	3296-29	14	Nut-Lock, NI	51	119-5118-03	1	Strap-Retainer, LH
46	104-3989	1	Decal	52	119-5119-03	1	Strap-Retainer, Rear
49	302-5	5	Fitting-Grease	53	119-5120-03	1	Strap-Retainer, RH
50	302-40	1	Fitting-Grease, 90 DEG				



Hydraulic Cylinder Assembly No. 117-6441

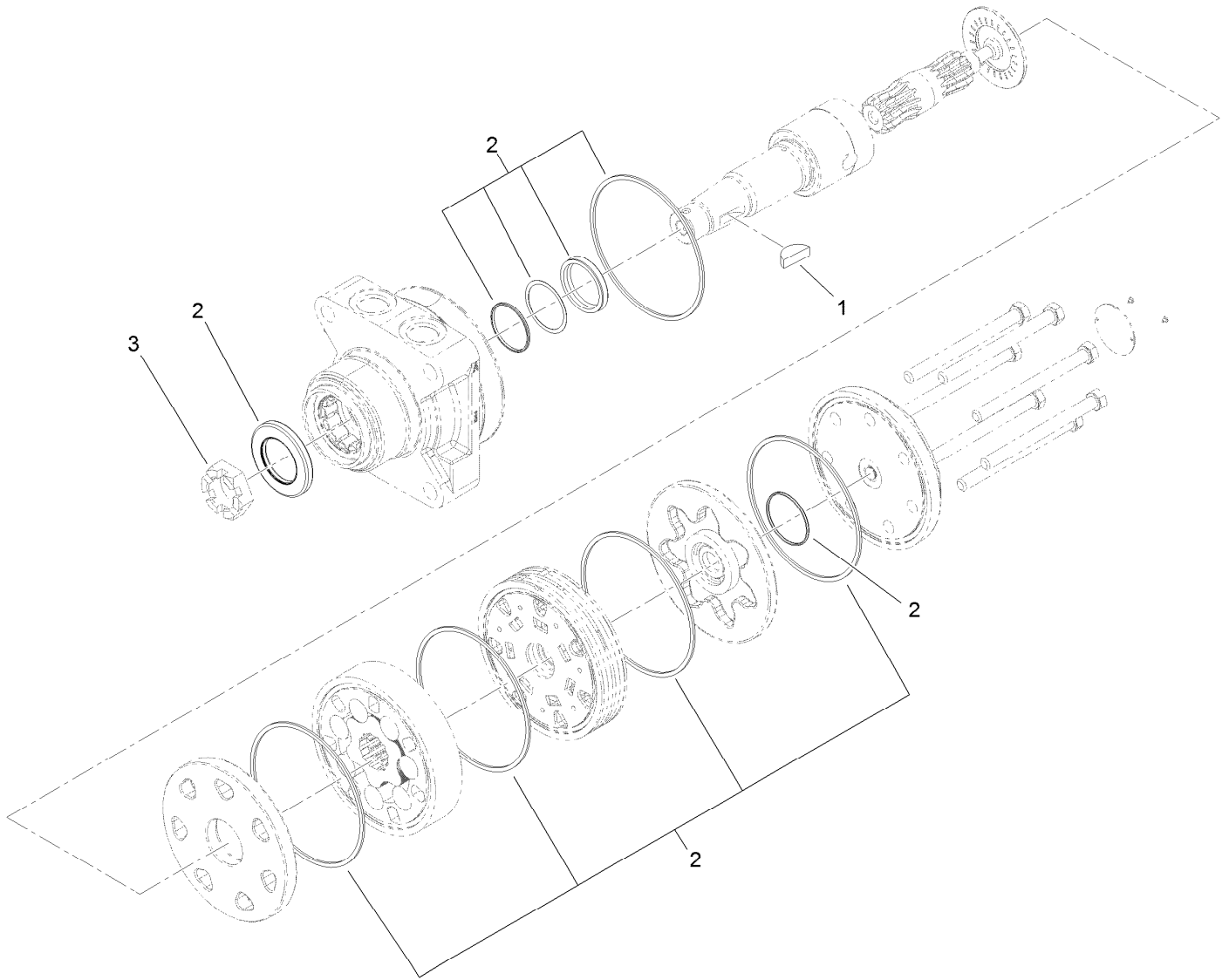
<i>Ref.</i>	<i>Part Number</i>	<i>Qty.</i>	<i>Description</i>
1	119-4632	1	Seal Kit



Hydraulic Cylinder Assembly No. 112-2602

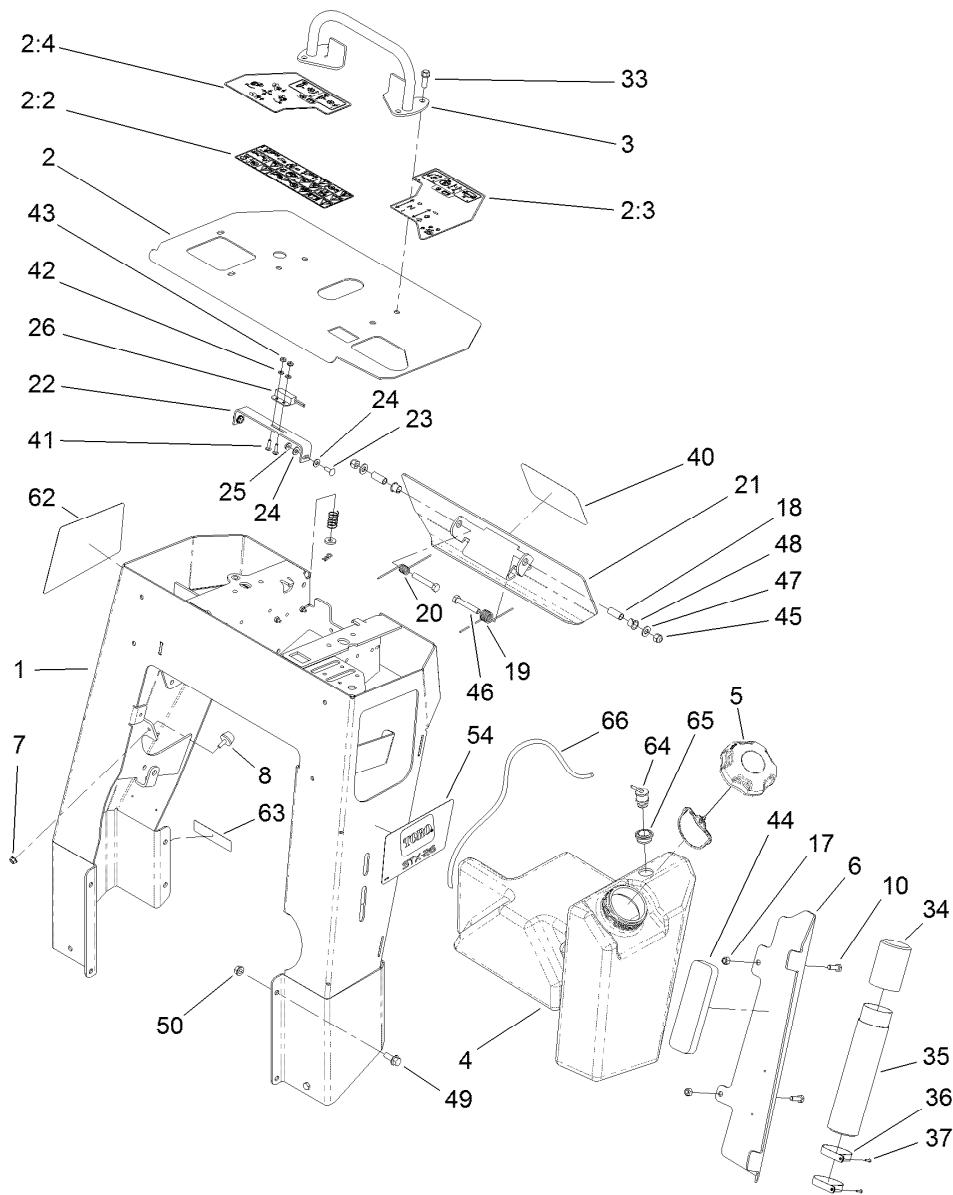
<i>Ref.</i>	<i>Part Number</i>	<i>Qty.</i>	<i>Description</i>
1	107-1183	1	Seal Kit
1:1		1	Wiper ●
1:2		1	U-Cup ●
1:3		1	O-Ring ●
1:4		1	O-Ring ●
1:5		1	Back-Up Ring ●
1:6		1	Capseal ●
1:7		1	Wear Ring ●

● Not serviced separately



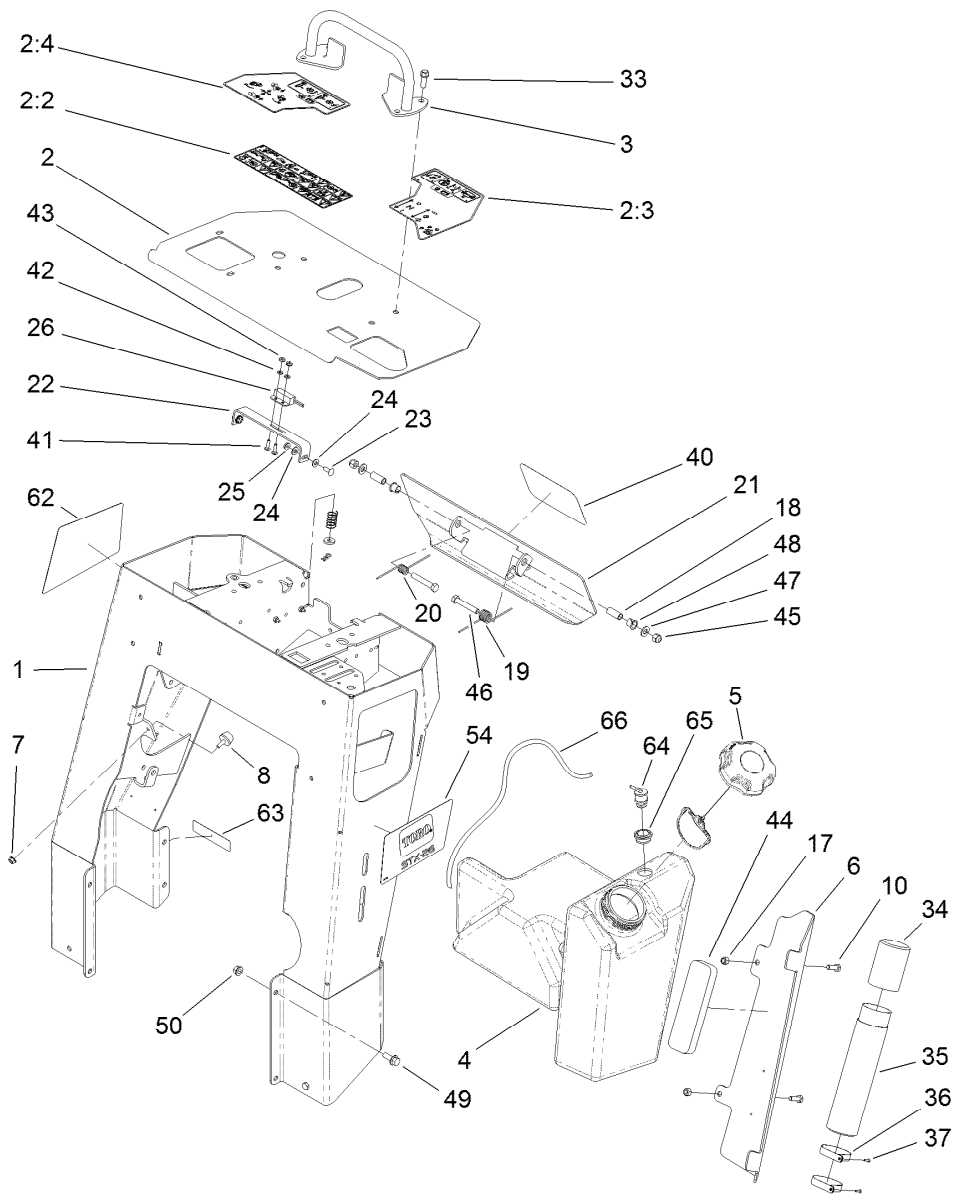
Hydraulic Motor Assembly No. 119-4551

<i>Ref.</i>	<i>Part Number</i>	<i>Qty.</i>	<i>Description</i>
1	3257-42	1	Key-Woodruff
2	119-4631	1	Seal Kit
3	106-8159	1	Nut-Lock



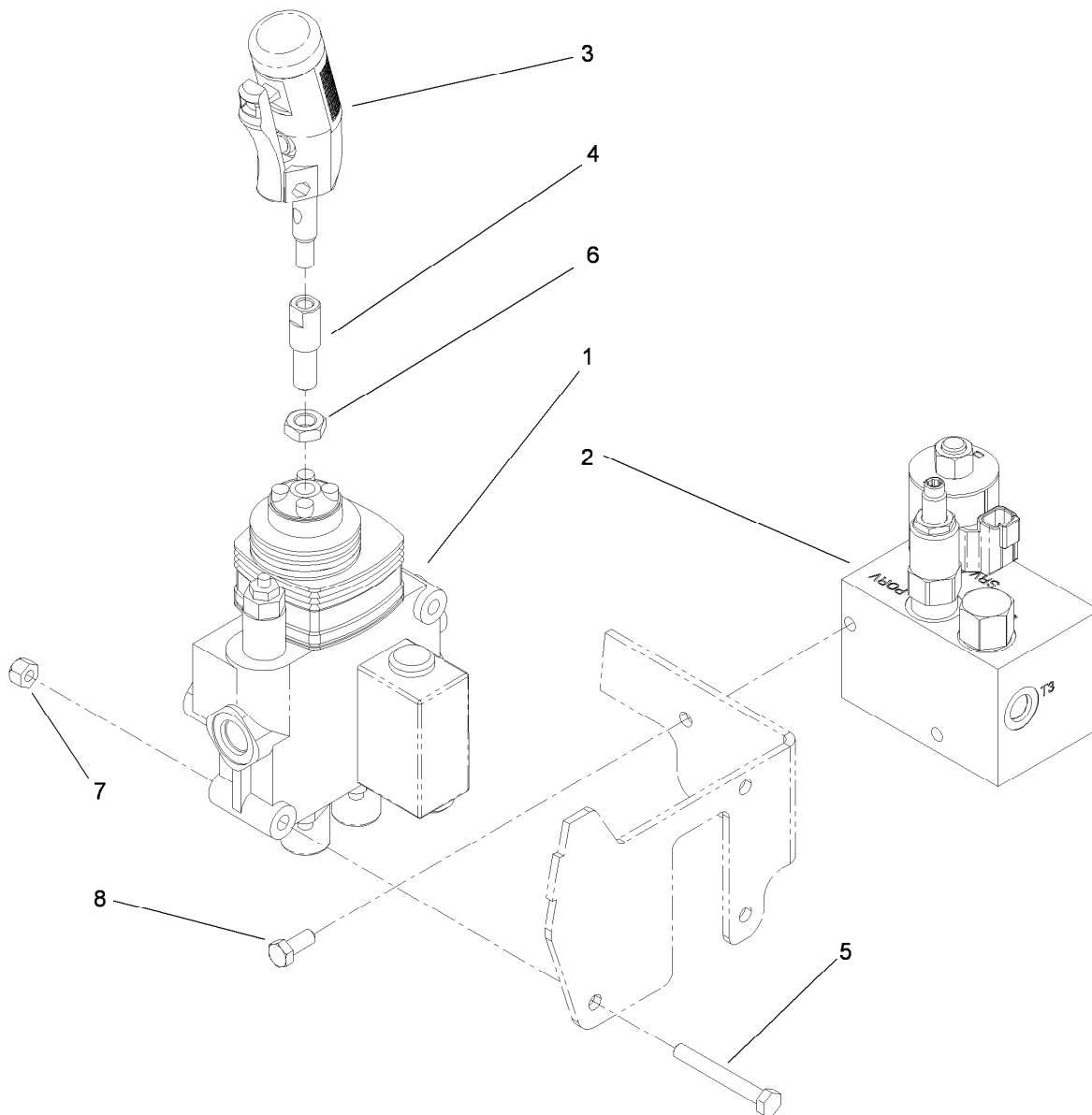
Control Tower Assembly

Ref.	Part Number	Qty.	Description	Ref.	Part Number	Qty.	Description
1	119-5100-01	1	Tower	26	100-1270	1	Switch-Proximity
2	119-4613	1	Control Panel ASM	33	95-1726	4	Screw-Taptite
2:2	119-4606	1	Decal-Warning	34	104-7048	1	Cap-Housing
2:3	119-4560	1	Decal-Console, LH	35	104-7050	1	Tube-Manual
2:4	119-4561	1	Decal-Console, RH	36	2412-120	2	Clamp-R
3	106-7715	1	Bar-Reference	37	3269-17	2	Rivet-Pop
4	120-7359	1	Tank-Fuel	40	105-1217	1	Decal
5	120-5461	1	Cap-Fuel, Ratcheting	41	3229-20	2	Screw-CARR
6	119-5086-01	1	Bracket-Cover, Tank	42	3256-51	2	Washer-Flat
7	32128-33	1	Nut-HF	43	32149-7	2	Nut-Keps
8	1-523420	1	Bumper	44	107-7507	1	Pad-Foam
10	322-5	2	Screw-HH	45	3296-39	2	Nut-Lock, NI
17	3296-29	2	Nut-Lock, NI	46	323-11	2	Screw-HH
18	114-1337	2	Spacer-Spring	47	3256-24	2	Washer-Plain
19	98-8425	1	Spring-Torsion, LH	48	256-257	2	Bushing-Nyliner
20	98-8424	1	Spring-Torsion, RH	49	3234-11	8	Screw-HHF
21	112-2786-03	1	Plate-Reverse	50	32128-40	8	Nut-Flange
22	100-1263	1	Plate-Switch	54	119-4563	1	Decal-Side, LH
23	3229-1	2	Screw-CARR	62	119-4565	1	Decal-Side, RH
24	3256-22	2	Washer-Flat	63	117-2718	1	Decal-Arrester, Spark
25	32149-2	2	Nut-Keps	64	114-0285	1	Valve-Rollover



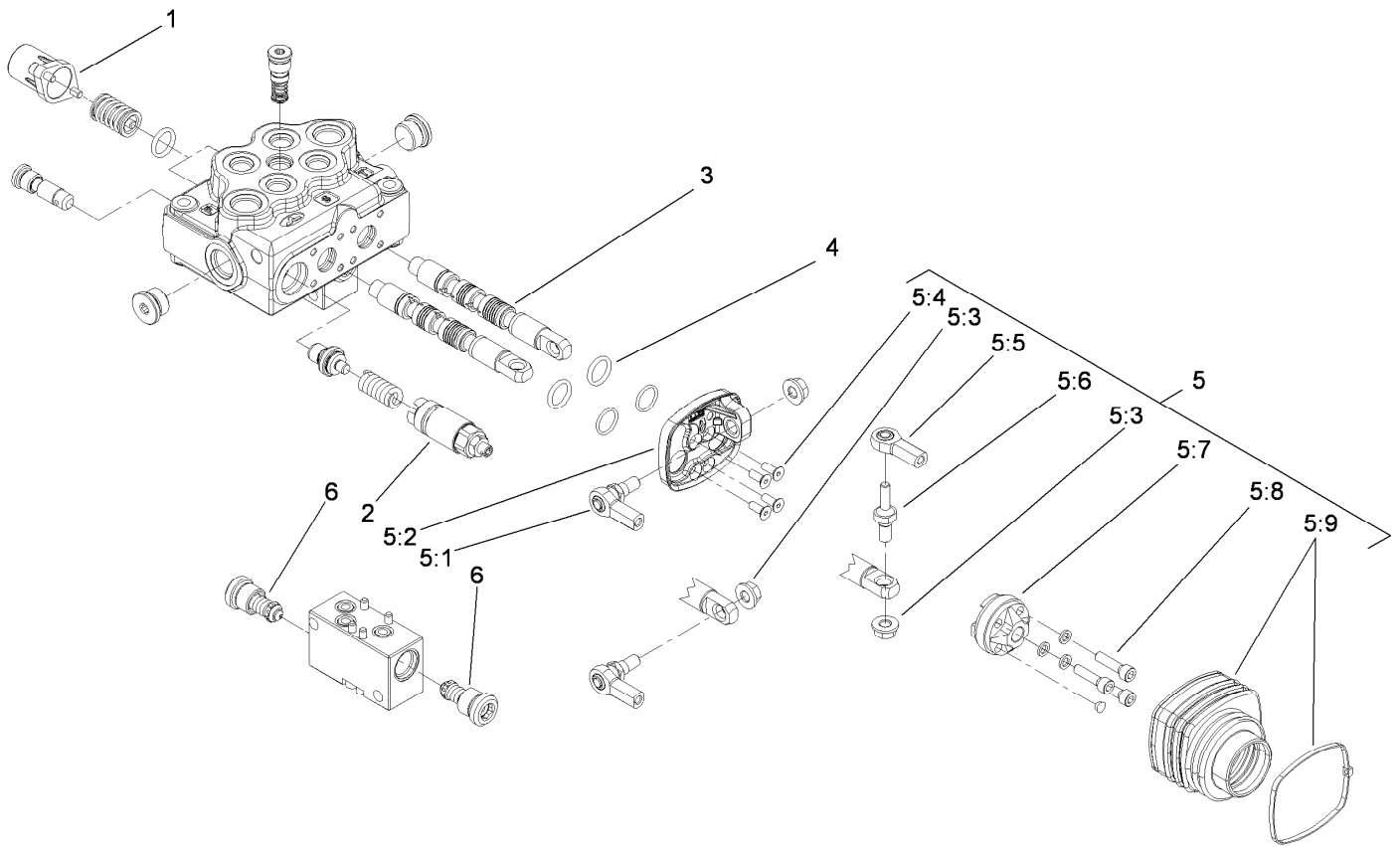
Control Tower Assembly (continued)

<i>Ref.</i>	<i>Part Number</i>	<i>Qty.</i>	<i>Description</i>
65	114-0284	1	Grommet
66	117-6395	1	Hose-Vent, Tank



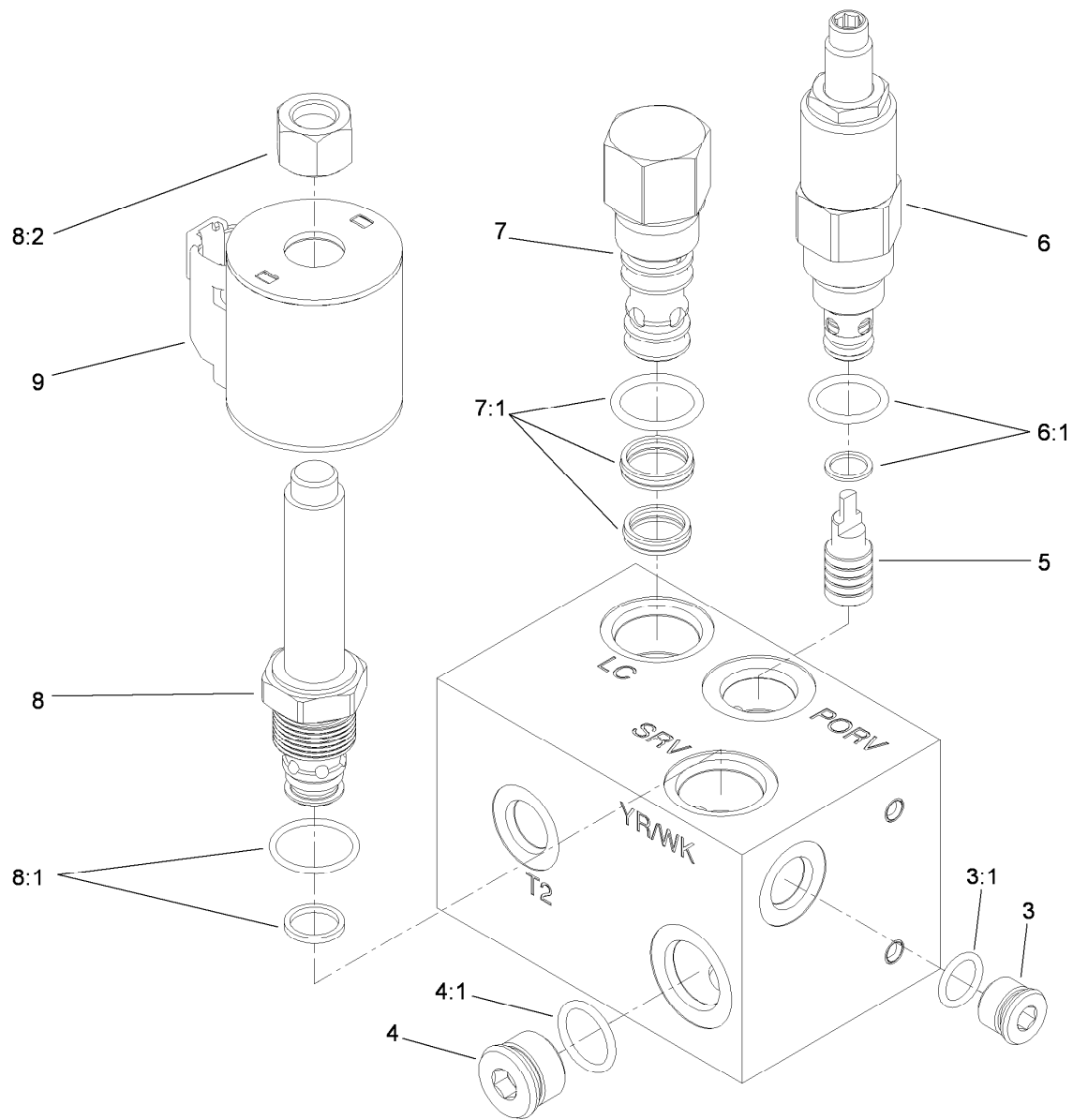
Control Valve Assembly

<i>Ref.</i>	<i>Part Number</i>	<i>Qty.</i>	<i>Description</i>
1	119-4585	1	HYD Valve ASM
2	119-4586	1	Cutter Wheel Valve ASM
3	119-4587	1	Two Button Handle Grip ASM
4	119-5103	1	Adapter-Handle
5	322-12	3	Screw-HH
6	51-2070	1	Nut
7	3296-29	3	Nut-Lock, NI
8	322-3	2	Screw-HH



Control Valve Assembly No. 119-4585

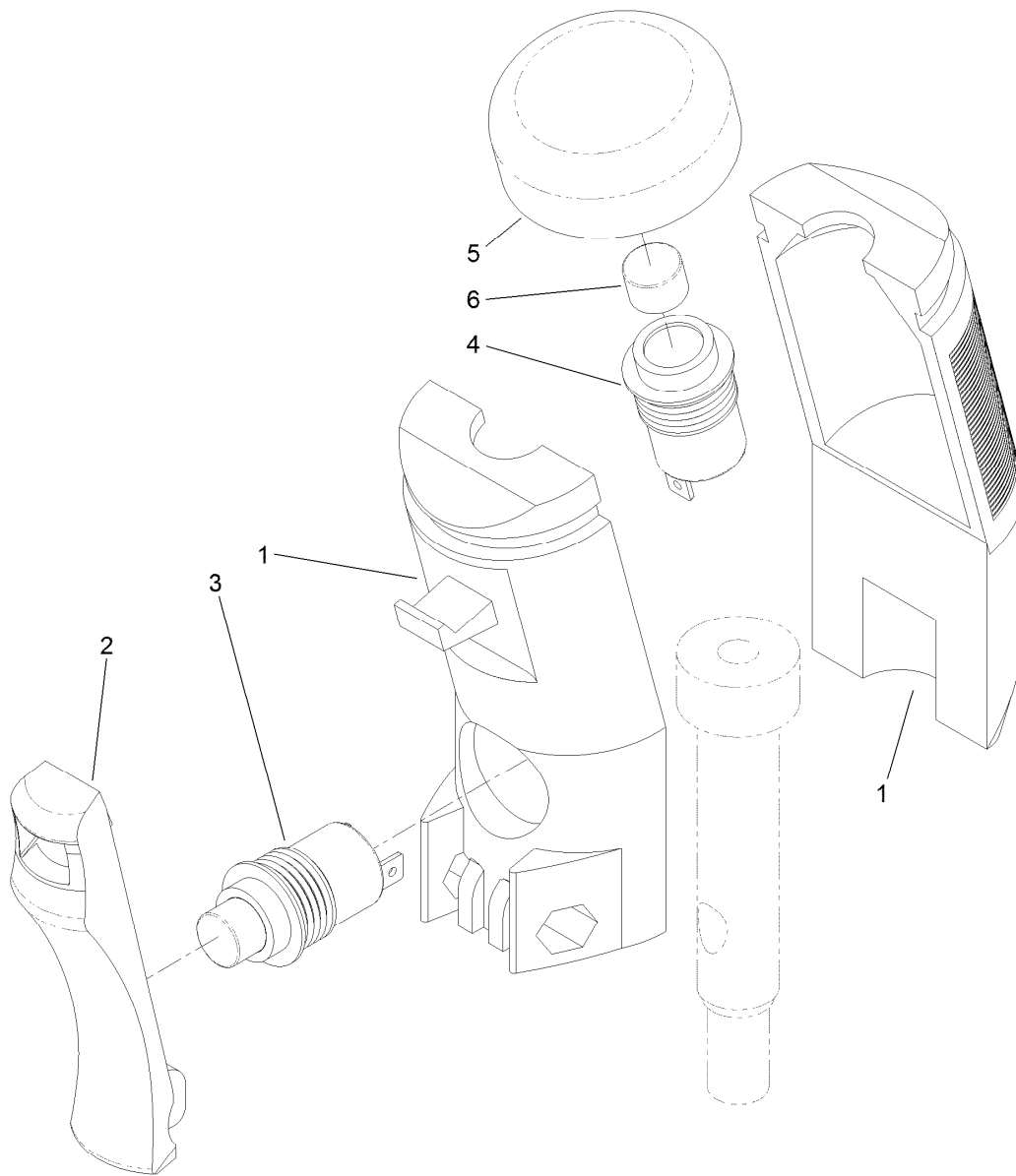
Ref.	Part Number	Qty.	Description
1	100-8801	2	High Force Spring Kit
2	100-8805	1	Valve-Relief
3	114-8625	2	Valve-Spool
4	106-7719	4	Seal-Valve
5	119-4622	1	Joystick Kit
5:1	119-4623	2	Joint-Joystick
5:2	119-4624	1	Base-Joystick
5:3	117-1350	3	Nut-HF, Lock
5:4	119-4625	4	Screw-Joystick
5:5	119-4626	1	Joint-Joystick
5:6	119-4627	1	Pin-Spool
5:7	119-4628	1	Holder-Joystick
5:8	3273-42	3	Screw-HSH
5:9	119-4629	1	Boot-Joystick
6	119-4630	2	Valve Kit



Cutter Wheel Valve Assembly No. 119-4586

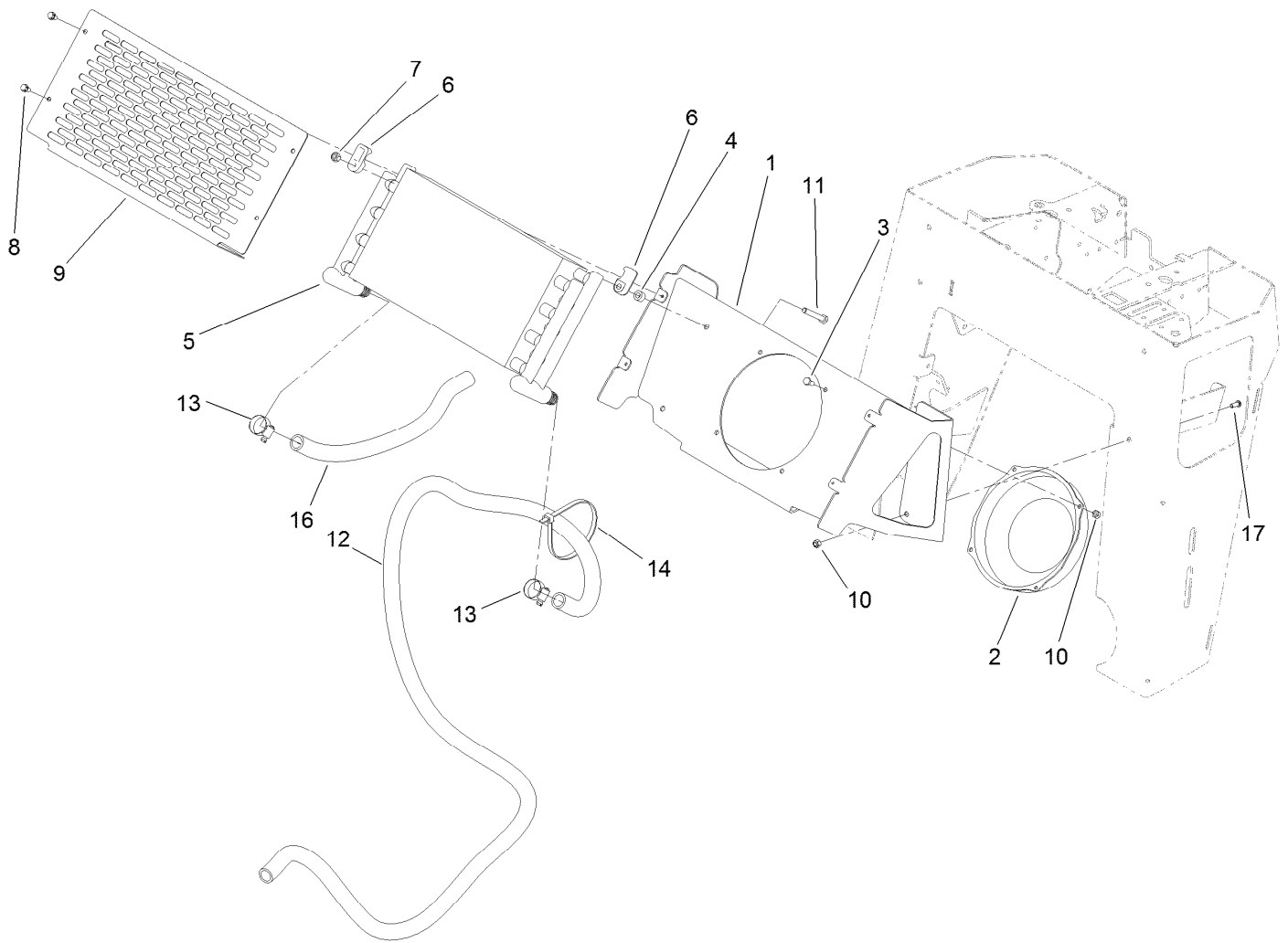
<i>Ref.</i>	<i>Part Number</i>	<i>Qty.</i>	<i>Description</i>
3	106-1026	1	Plug-HYD
3:1	237-42	1	O-Ring
4	106-1027	1	Plug
4:1	237-79	1	O-Ring
5	105-9157	1	Piston-Pilot
6	119-4620	1	Valve-Relief
6:1	105-9156	1	Seal Kit
7	105-9153	1	Element-Logic, Vented
7:1	105-9154	1	Seal Kit
8	120-7353	1	Valve-Relief, Solenoid
8:1	110-6316	1	Seal Kit ●
8:2	130-8180	1	Nut-Coil (9/16-24 Unef-2B)
9	119-4619	1	Coil-Solenoid

● Not illustrated



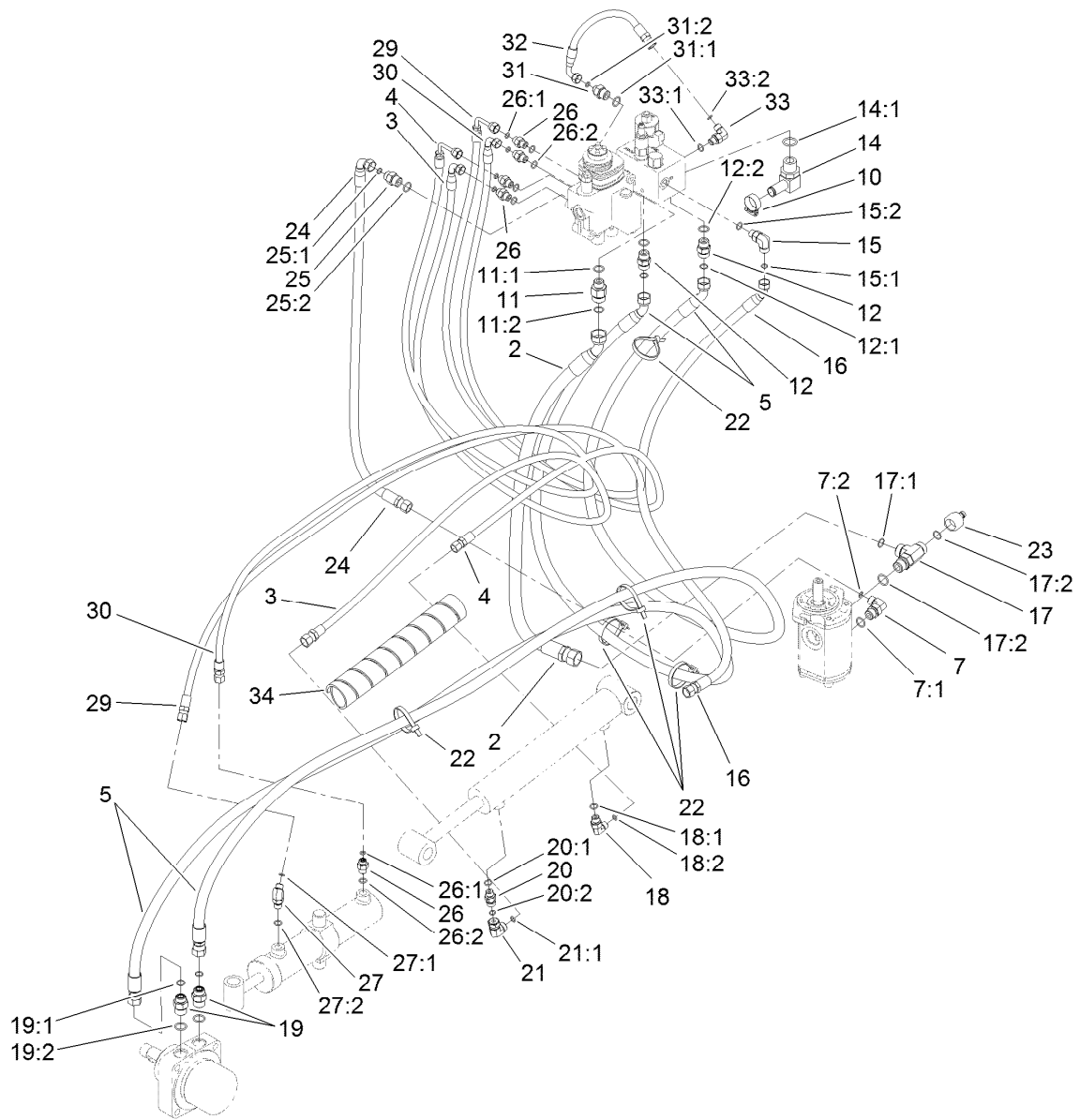
Two-Button Handle Grip Assembly No. 119-4587

<i>Ref.</i>	<i>Part Number</i>	<i>Qty.</i>	<i>Description</i>
1	119-4637	1	Halve-Handle
2	119-4638	1	Lever-Handle
3	119-4639	1	Button-Push, Lever
4	119-4640	1	Button-Push, Top
5	119-4641	1	Boot-Button
6	119-4642	1	Button-Actuator



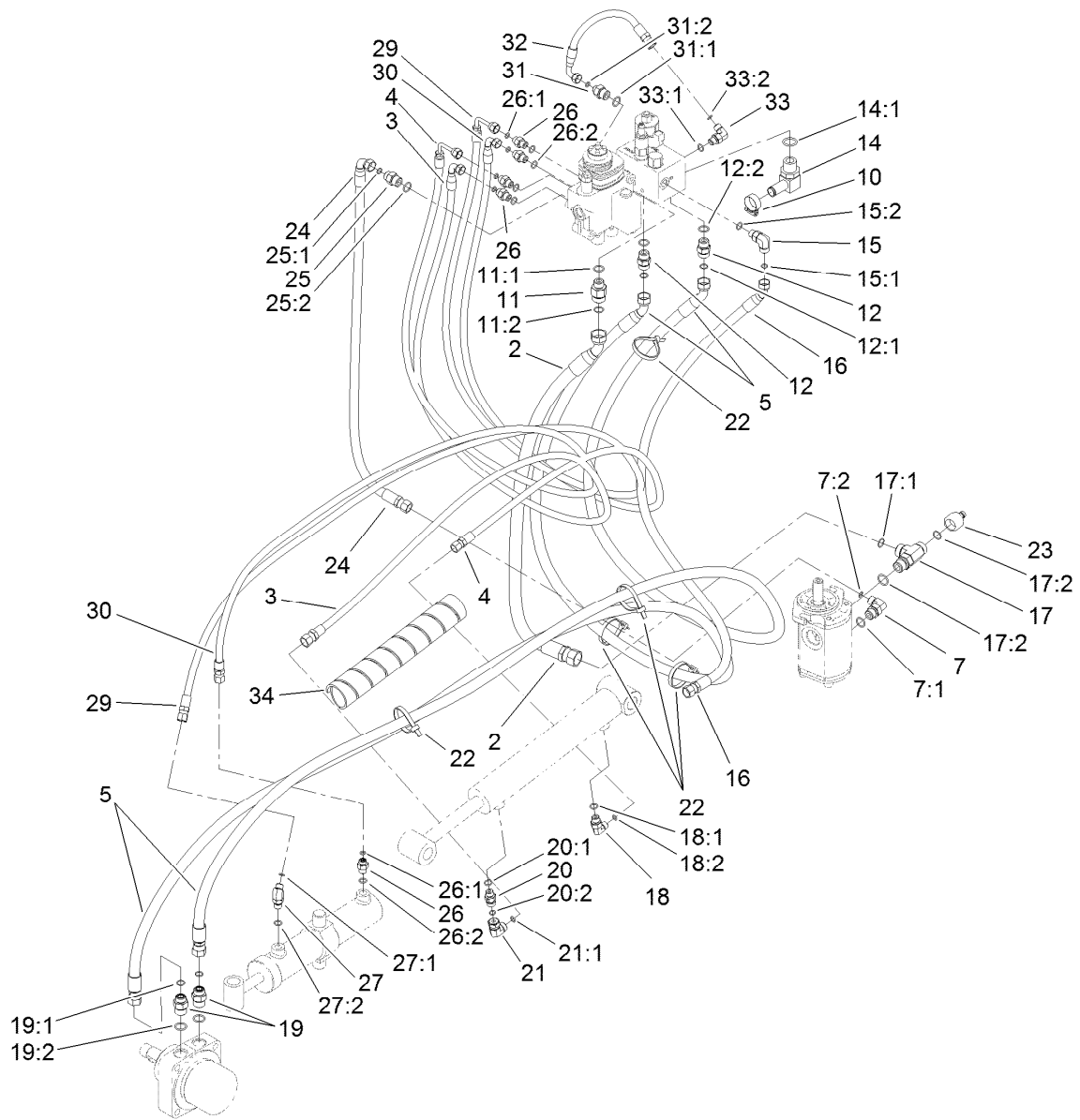
Oil Cooler Assembly

<i>Ref.</i>	<i>Part Number</i>	<i>Qty.</i>	<i>Description</i>	<i>Ref.</i>	<i>Part Number</i>	<i>Qty.</i>	<i>Description</i>
1	117-6296-01	1	Mount-Cooler	9	119-4633-01	1	Cover-Cooler
2	104-2809	1	Fan	10	3296-42	8	Nut-Lock, NI
3	321-3	7	Screw-HH	11	322-11	4	Screw-HH
4	98-4695	4	Spacer	12	119-4607	1	Hose-Return
5	117-6320	1	Cooler-Oil	13	2412-129	2	Clamp-Hose
6	105-3943	8	Clamp-Cooler, Oil	14	3334-945	1	Tie-Cable
7	3296-29	4	Nut-Lock, NI	16	119-4571	1	Hose-Return
8	32144-4	4	Screw-HWH	17	3274-31	1	Screw-HSBH



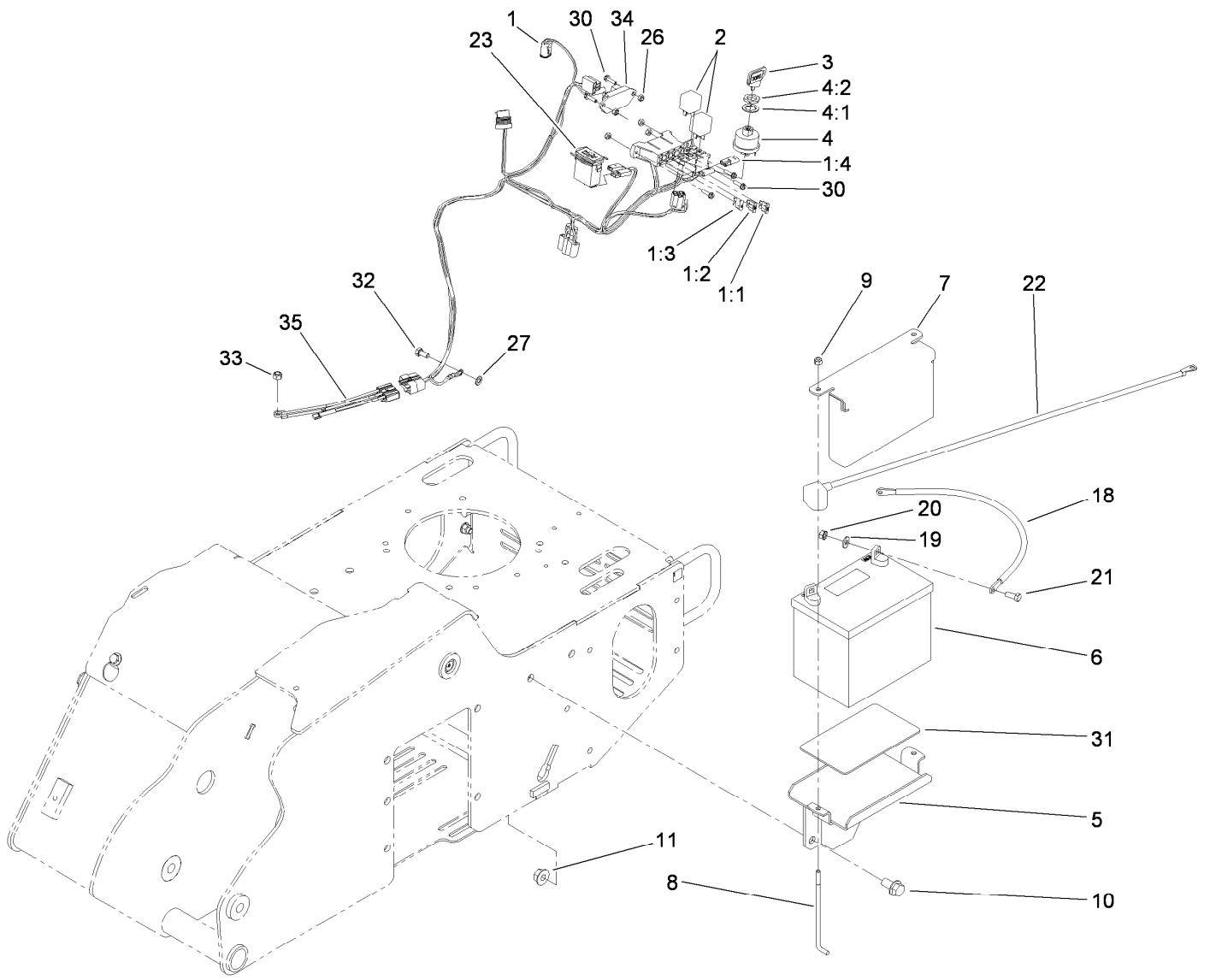
Hydraulic Routing Assembly

Ref.	Part Number	Qty.	Description	Ref.	Part Number	Qty.	Description
2	119-4589	1	Hose-HYD	17:1	237-65	2	O-Ring
3	119-4590	1	Hose-HYD	17:2	237-80	1	O-Ring
4	119-4601	1	Hose-HYD	18	340-82	1	Fitting-Elbow, 90 DEG
5	119-4591	2	Hose-HYD	18:1	237-42	1	O-Ring
7	340-18	1	Fitting-HYD, 90 DEG	18:2	237-21	1	O-Ring
7:1	237-79	1	O-Ring	19	340-6	2	Fitting-Straight
7:2	237-22	1	O-Ring	19:1	237-30	1	O-Ring
10	2412-129	2	Clamp-Hose	19:2	237-80	1	O-Ring
11	340-155	1	Fitting-Straight	20	115-4081	1	Valve-Check
11:1	237-79	1	O-Ring	20:1	237-42	1	O-Ring
11:2	237-151	1	O-Ring	20:2	237-22	1	O-Ring
12	340-4	2	Fitting-Straight	21	340-159	1	Elbow-90
12:1	237-30	1	O-Ring	21:1	237-22	2	O-Ring
12:2	237-79	1	O-Ring	22	3334-945	9	Tie-Cable
14	353-987	1	Fitting-Elbow, 90	23	86-5860	1	Nipple
14:1	237-81	1	O-Ring	24	119-4592	1	Hose-HYD
15	340-77	1	Fitting-Elbow, 90 DEG	25	340-3	1	Fitting-Straight
15:1	237-22	1	O-Ring	25:1	237-22	1	O-Ring
15:2	237-42	1	O-Ring	25:2	237-79	1	O-Ring
16	119-4602	1	Hose-HYD	26	340-1	5	Fitting-Straight
17	340-22	1	Fitting-Tee	26:1	237-21	1	O-Ring



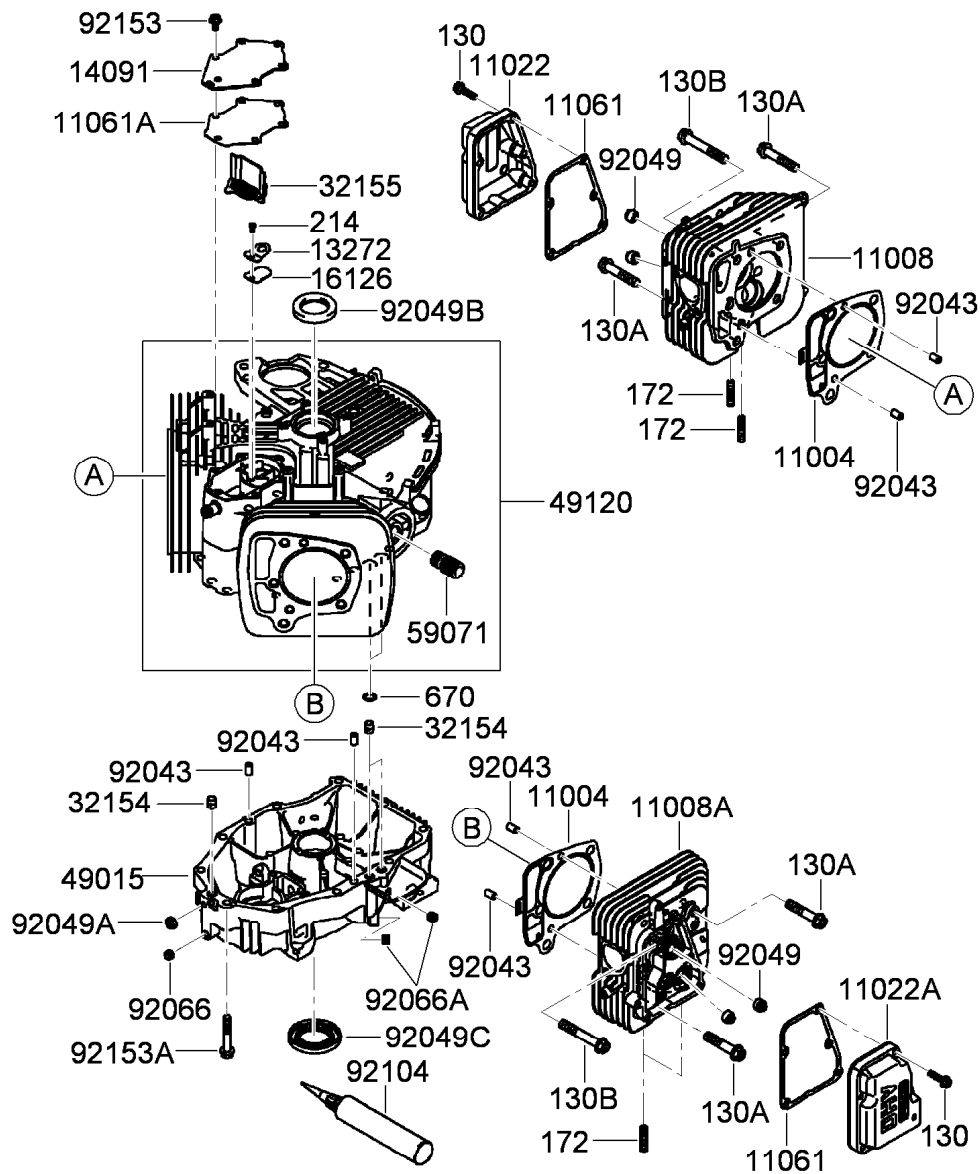
Hydraulic Routing Assembly (continued)

<i>Ref.</i>	<i>Part Number</i>	<i>Qty.</i>	<i>Description</i>	<i>Ref.</i>	<i>Part Number</i>	<i>Qty.</i>	<i>Description</i>
26:2	237-42	1	O-Ring	31:1	237-79	1	O-Ring
27	340-137	1	Fitting	31:2	237-21	1	O-Ring
27:1	237-21	1	O-Ring	32	119-4594	1	Hose-HYD
27:2	237-42	1	O-Ring	33	340-82	1	Fitting-Elbow, 90 DEG
29	119-4593	1	HYD Hose ASM	33:1	237-42	1	O-Ring
30	119-4603	1	HYD Hose ASM	33:2	237-21	1	O-Ring
31	340-133	1	Fitting-STR	34	119-4635	1	Wrap-Spiral



Electrical Assembly

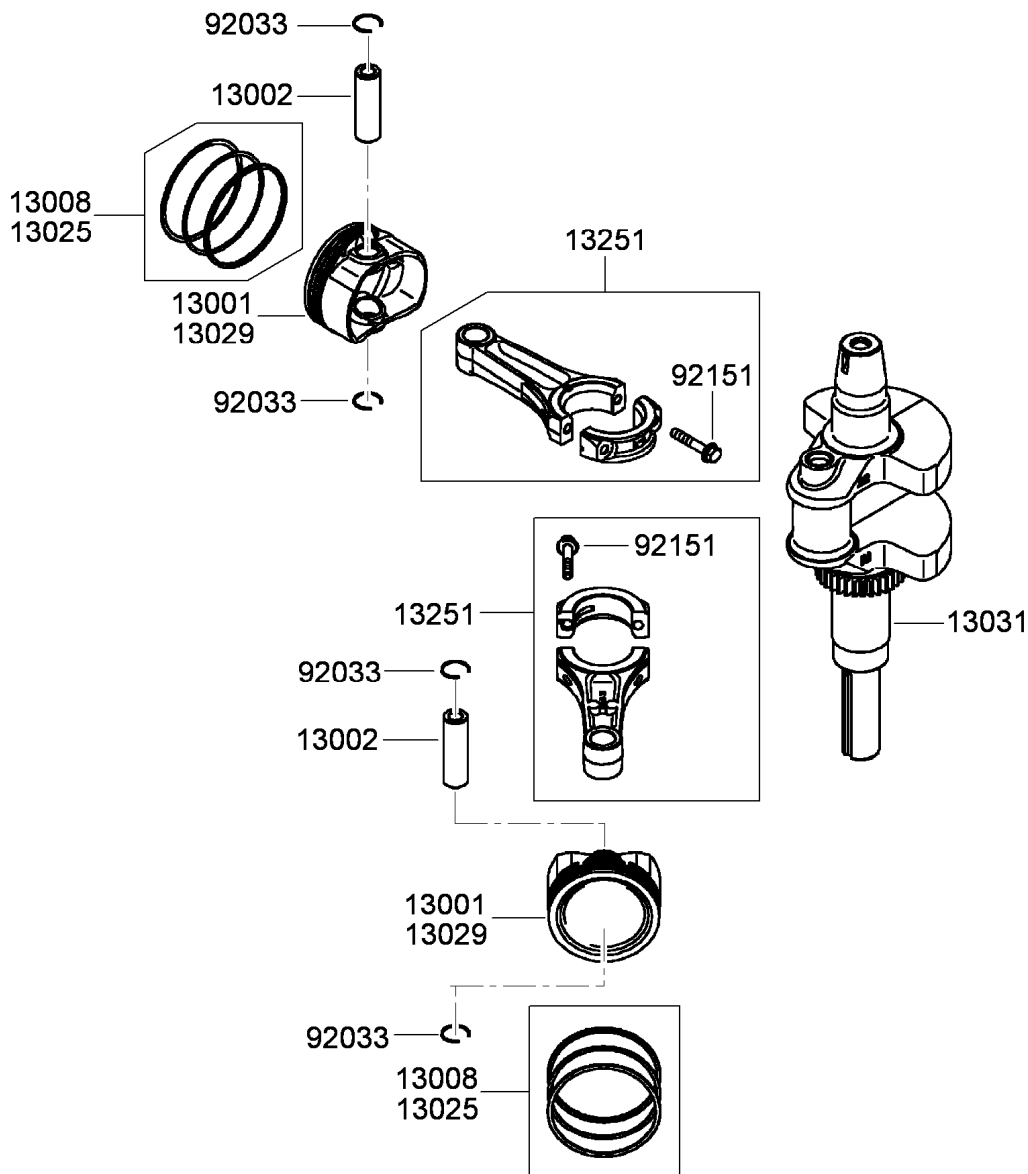
Ref.	Part Number	Qty.	Description	Ref.	Part Number	Qty.	Description
1	119-4555	1	Harness-Wire	11	32128-49	2	Nut-HHF
1:1	109103	1	Fuse-Blade, 30 Amp	18	106-8945	1	Cable-Battery, Positive
1:2	109102	1	Fuse-Blade, 25 Amp	19	3256-2	2	Washer-Flat
1:3	109101	1	Fuse-Blade, 20 Amp	20	32149-1	2	Nut-Keps
1:4	116-0053	1	Cap-Plug	21	322-3	2	Screw-HH
2	98-7249	2	Relay	22	117-6422	1	Cable-Battery, Black
3	63-8360	1	Key-Ignition	23	1-513374	1	Meter-Hour
4	88-9830	1	Key Switch ASM	26	3296-2	5	Nut-Lock, NI
4:1	3254-5	1	Washer-Lock	27	3255-8	1	Washer-Lock
4:2	218-461	1	Nut-HH	30	32105-13	5	Screw-HWH
5	105-3150-01	1	Tray-Battery	31	62-4300	1	Pad-Skid, Anti
6	104-8162	1	Battery	32	33114-016	1	Screw-HH
7	115-6621-03	1	Plate-Hold Down, Battery	33	33004-00	1	Nut-HF
8	104-8567	2	Holdown-Battery	34	100-6170	1	Module-Delay
9	3296-42	2	Nut-Lock, NI	35	119-4604	1	Harness
10	3234-6	2	Screw-HHF				



Cylinder and Crankcase Assembly

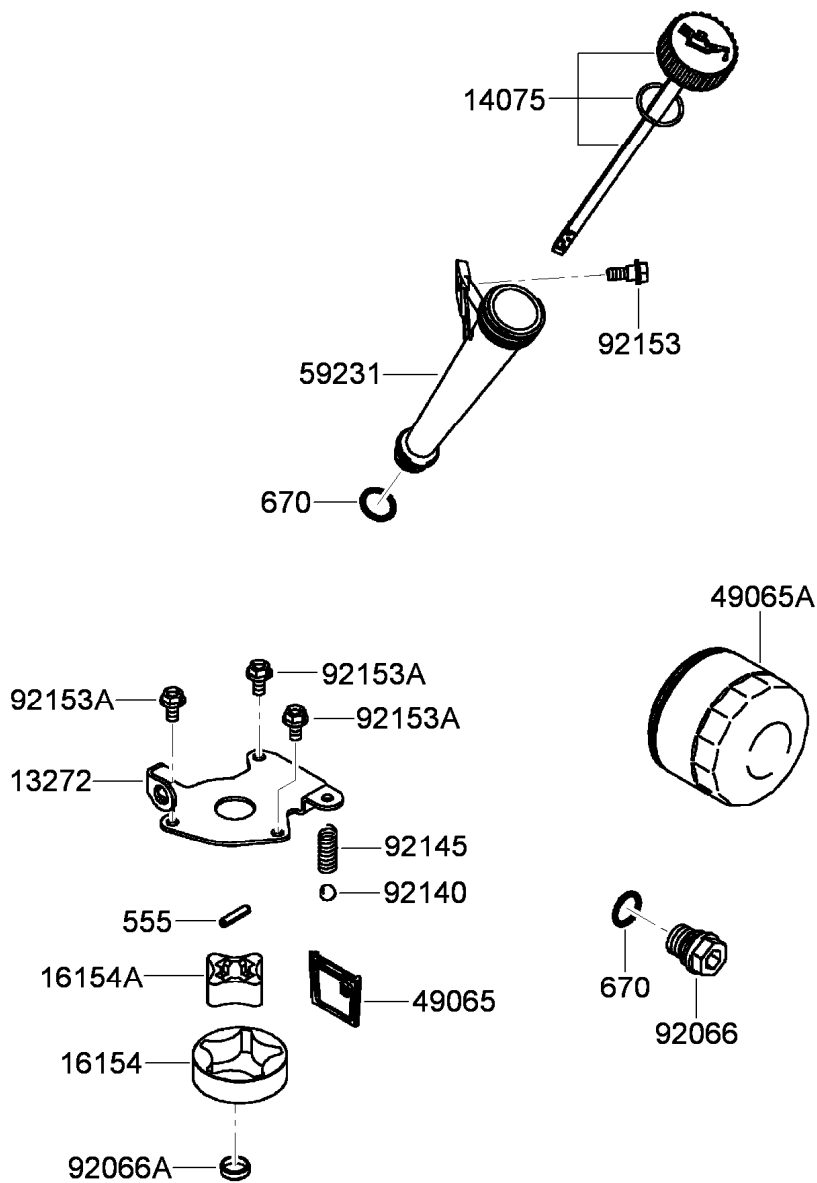
Ref.	Part Number	Qty.	Description
130	93-8548	10	Bolt-Flanged (6X25)
130A	119-5822	4	Bolt-Flanged (10X50)
130B	119-5823	6	Bolt-Flanged (10X65)
172	114-8658	4	Bolt-Stud (8X18)
214	115-6422	1	Screw-Pan (4X8)
670	95-9771	2	O-Ring (11Mm)
11004	119-5800	2	Gasket-Head
11008	119-5801	1	Head-Cylinder (No.1)
11008A	119-5802	1	Head-Cylinder (No.2)
11022	119-5803	1	Case-Rocker (No.1)
11022A	119-5804	1	Case-Rocker (No.2)
11061	119-5805	2	Gasket-Case, Rocker
11061A	119-5806	1	Gasket-Breather
13272	119-5808	1	Plate-Breather
14091	119-5809	1	Cover-Breather
16126	119-5810	1	Valve-Breather

Ref.	Part Number	Qty.	Description
32154	119-5811	3	Pipe
32155	119-5812	1	Pipe-Breather
49015	119-5813	1	Cover-Crankcase
49120	119-5814	1	Crankcase ASM
59071	95-9715	1	Joint
92043	KW10694	6	Pin
92049	114-8650	4	Seal-Oil, Rv C2 (6X11X10.2)
92049A	119-5816	1	Seal-Oil, So (8X14X5) Hs
92049B	119-5817	1	Seal-Oil, Sd (35X48X8) R Hs
92049C	119-5818	1	Seal-Oil (38X62X8) Mtclv
92066	119-5819	1	Plug
92066A	119-5820	2	Plug
92104	119-5821	1	Gasket-Liquid (Tb1217H)
92153	114-8655	6	Bolt (6X12)
92153A	114-8656	10	Bolt (8X50)



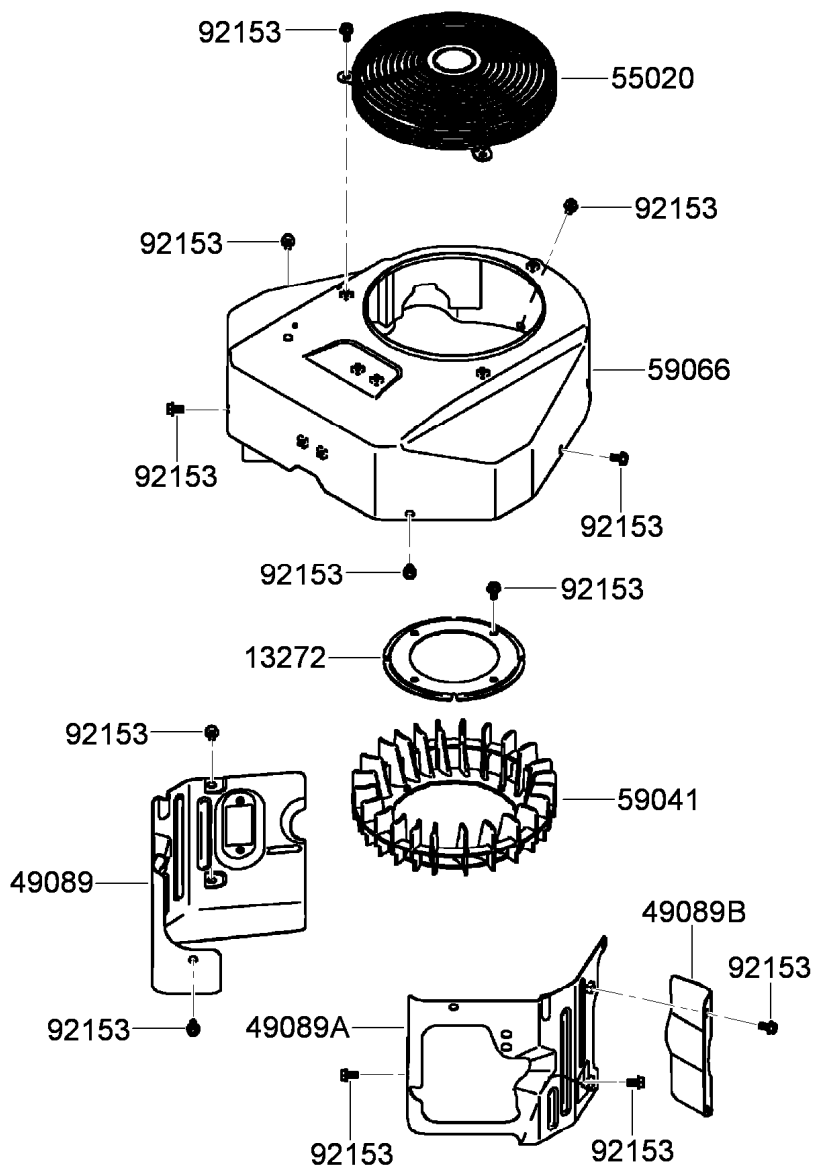
Piston and Crankshaft Assembly

<i>Ref.</i>	<i>Part Number</i>	<i>Qty.</i>	<i>Description</i>
13001	119-5824	2	Piston-Engine
13002	119-5825	2	Pin-Piston
13008	119-5826	2	Piston Ring Set
13025	119-5827	1	Piston Ring Set, L (0.5)
13029	119-5828	1	Piston-Engine, L (0.5)
13031	119-5829	1	Crankshaft ASM
13251	119-5830	2	Connecting Rod ASM
92033	119-5831	4	Ring-Snap
92151	115-6565	4	Bolt (6X35)



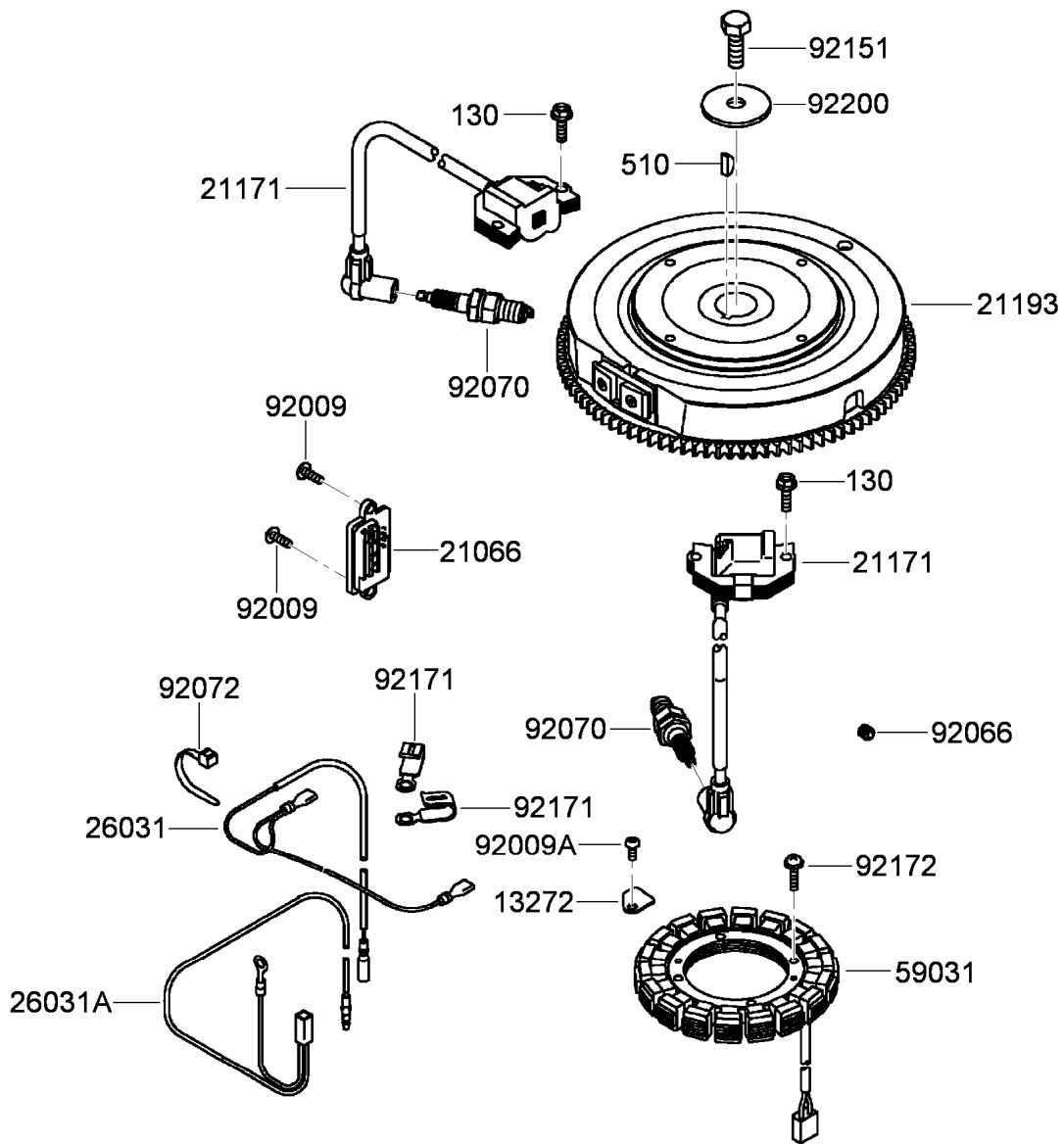
Lubrication Equipment Assembly

Ref.	Part Number	Qty.	Description
555	119-5859	1	Pin-Spring (4X20)
670	1-413506	2	O-Ring (16MM)
13272	119-5847	1	Plate-Rotor
14075	119-5848	1	Oil Gauge Cap ASM
16154	119-5849	1	Rotor-Pump, Outer
16154A	119-5850	1	Rotor-Pump, Inner
49065	119-5851	1	Filter-Oil
49065A	119-5852	1	Filter-Oil
59231	119-5853	1	Tube-Filler, Oil
92066	119-5854	1	Plug
92066A	119-5855	1	Plug
92140	119-5856	1	Ball
92145	119-5857	1	Spring
92153	119-5858	1	Bolt
92153A	115-6419	3	Bolt (6X12)



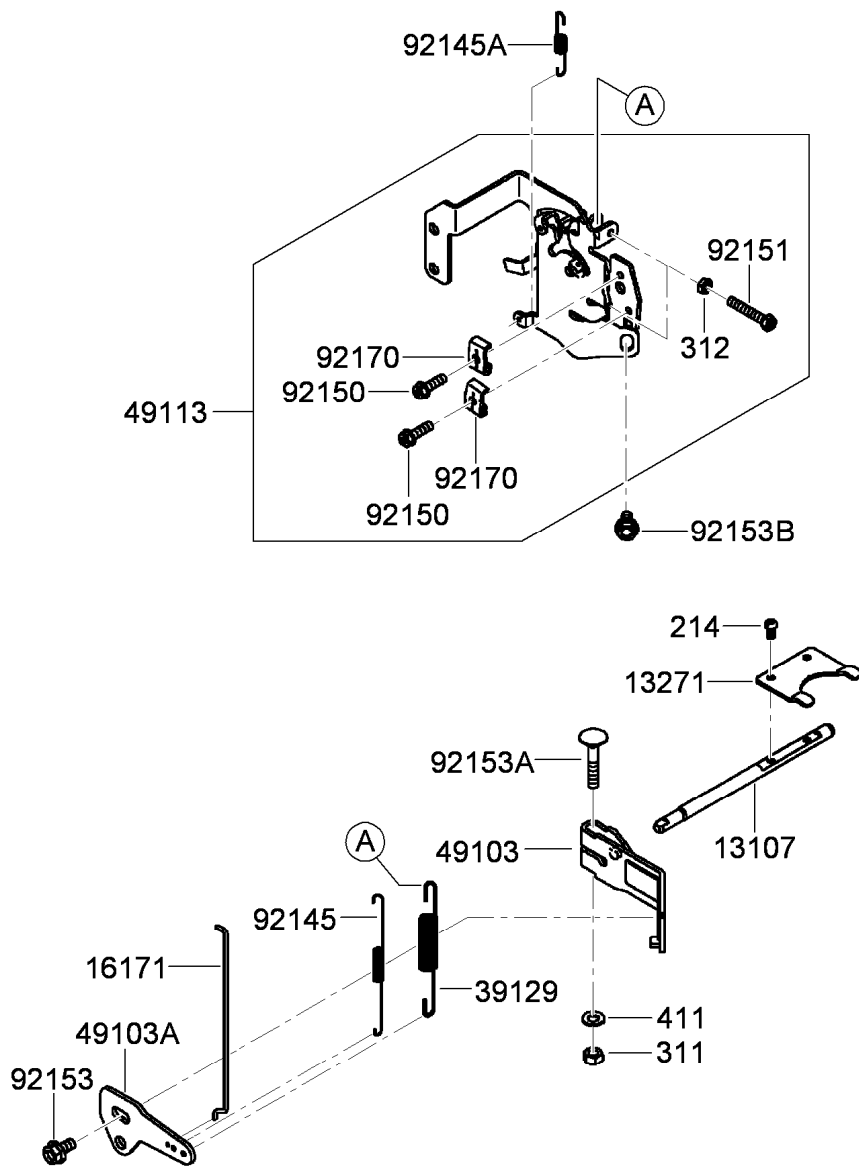
Cooling Equipment Assembly

<i>Ref.</i>	<i>Part Number</i>	<i>Qty.</i>	<i>Description</i>
13272	119-5860	1	Plate-Fan
49089	119-5862	1	Shroud-Engine
49089A	119-5863	1	Shroud-Engine
49089B	119-5864	1	Shroud-Engine
55020	119-5865	1	Guard
59041	119-5867	1	Fan
59066	119-5868	1	Housing-Fan
92153	114-8655	18	Bolt (6X12)



Electric Equipment Assembly

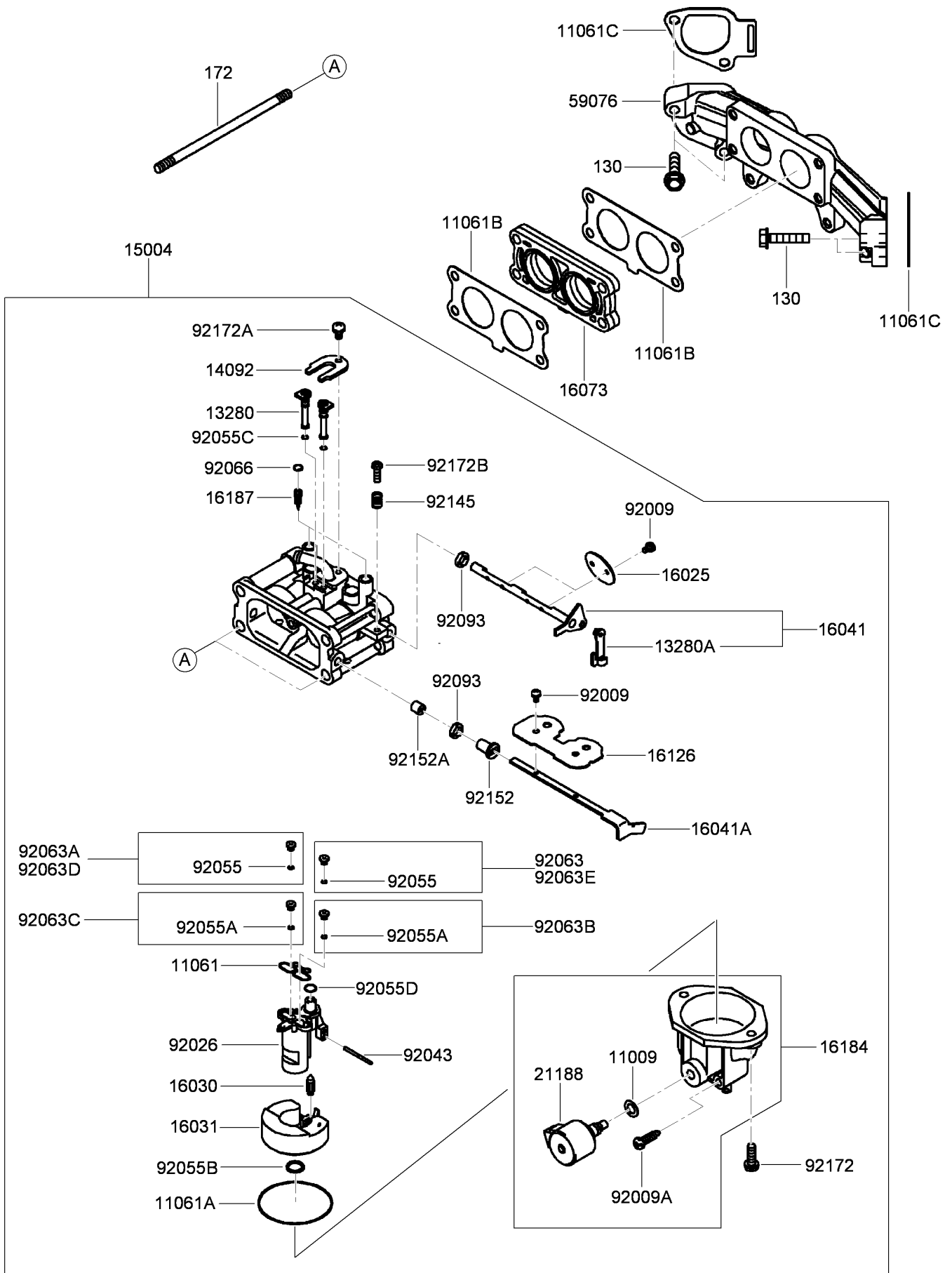
<i>Ref.</i>	<i>Part Number</i>	<i>Qty.</i>	<i>Description</i>	<i>Ref.</i>	<i>Part Number</i>	<i>Qty.</i>	<i>Description</i>
130	95-9893	4	Bolt-Flanged (6X20)	92009	119-5879	2	Screw
510	KW10163	1	Key-Woodruff	92009A	95-9716	1	Screw
13272	119-5870	1	Plate	92066	119-5820	1	Plug
21066	120-7356	1	Regulator-Voltage	92070	92-2153	2	Plug-Spark
21171	119-5872	2	Ignition Coil ASM	92072	115-6585	1	Band
21193	119-5874	1	Flywheel ASM	92151	115-6408	1	Bolt (12X30)
26031	119-5876	1	Harness	92171	115-8665	2	Clamp
26031A	119-5877	1	Harness	92172	115-4030	4	Screw (5X20)
59031	120-7355	1	Coil-Charging	92200	115-4031	1	Washer (12.2X46X3)



Control Equipment Assembly

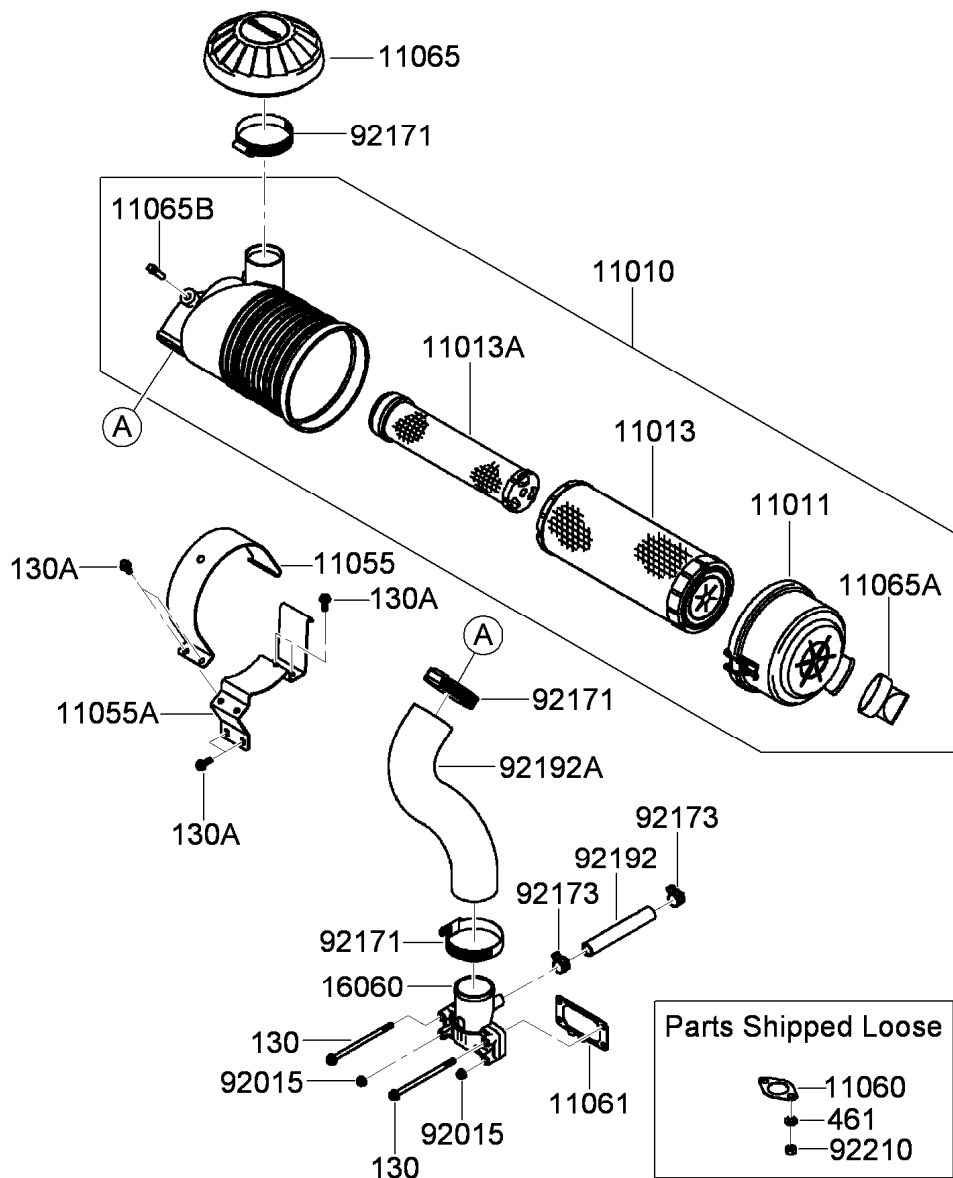
<i>Ref.</i>	<i>Part Number</i>	<i>Qty.</i>	<i>Description</i>	<i>Ref.</i>	<i>Part Number</i>	<i>Qty.</i>	<i>Description</i>
214	115-6422	2	Screw-Pan (4X8)	49113	119-5888	1	Control Panel ASM
311	114-8698	1	Nut-Hex (6MM)	92145	119-5889	1	Spring
312	119-5894	2	Nut-Hex (5MM)	92145A	119-5890	1	Spring
411	115-6423	1	Washer-Plain (6MM)	92150	95-9853	2	Bolt (5X18)
13107	119-5882	1	Shaft-Governor	92151	119-5891	2	Bolt (5X30)
13271	119-5883	1	Plate	92153	119-5892	1	Bolt (6X12)
16171	119-5884	1	Link	92153A	115-6420	1	Bolt (6X35)
39129	119-5885	1	Spring-Governor	92153B	119-5892	1	Bolt (6X12)
49103	119-5886	1	Arm-Governor	92170	115-6421	2	Clamp
49103A	119-5887	1	Arm-Governor				

Carburetor Assembly



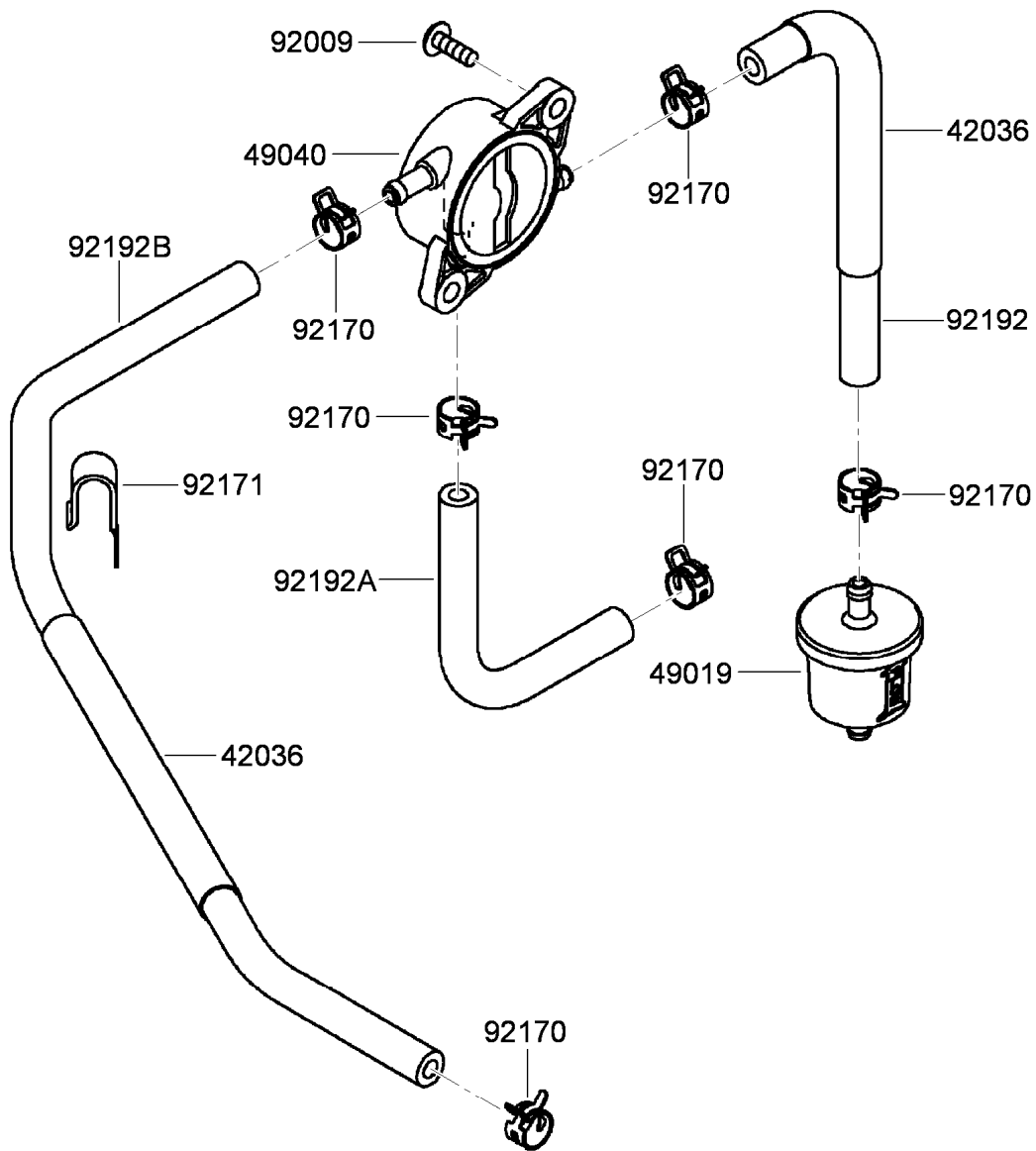
Carburetor Assembly (continued)

<i>Ref.</i>	<i>Part Number</i>	<i>Qty.</i>	<i>Description</i>	<i>Ref.</i>	<i>Part Number</i>	<i>Qty.</i>	<i>Description</i>
130	119-5940	4	Bolt-Flanged (6X30)	92009A	119-5917	1	Screw-Drain
172	119-5941	2	Bolt-Stud (6X115)	92026	119-5918	1	Spacer
11009	119-5895	1	Gasket	92043	119-5919	1	Pin-Float
11061	119-5896	1	Gasket	92055	119-5920	1	O-Ring
11061A	119-5897	1	Gasket	92055A	119-5921	2	O-Ring
11061B	119-5898	2	Gasket-Carburetor/Manifold	92055B	119-5921	1	O-Ring
11061C	119-5899	2	Gasket-Manifold	92055C	119-5923	2	O-Ring
13280	119-5901	2	Holder	92055D	119-5924	1	O-Ring
13280A	119-5902	1	Holder	92063	119-5926	1	Jet-Main (No. 108)
14092	119-5903	1	Cover	92063A	119-5927	1	Jet-Main (No. 104)
15004	119-5904	1	Carburetor ASM	92063B	119-5928	1	Jet-Main (No. 114)
16025	119-5905	2	Valve-Throttle	92063C	119-5929	1	Jet-Main (No. 110)
16030	119-5906	1	Valve-Float	92063D	119-5930	1	Jet-Main (No. 107)
16031	119-5907	1	Float	92063E	119-5931	1	Jet-Main (No. 111)
16041	119-5908	1	Carburetor Throttle Shaft ASM	92066	119-5932	2	Plug-Expansion
16041A	119-5909	1	Shaft-Choke, Carburetor	92093	119-5933	2	Seal (6.9)
16073	119-5910	1	Insulator	92145	119-5934	1	Spring
16126	119-5911	1	Valve	92152	119-5935	1	Collar
16184	119-5912	1	Float Chamber ASM	92152A	119-5936	1	Collar
16187	119-5913	2	Needle-Jet	92172	119-5937	2	Screw (M5)
21188	119-5914	1	Solenoid	92172A	119-5938	1	Screw (M4)
59076	119-5915	1	Manifold-Intake	92172B	119-5939	1	Screw-Adjust, Throttle
92009	119-5916	6	Screw				



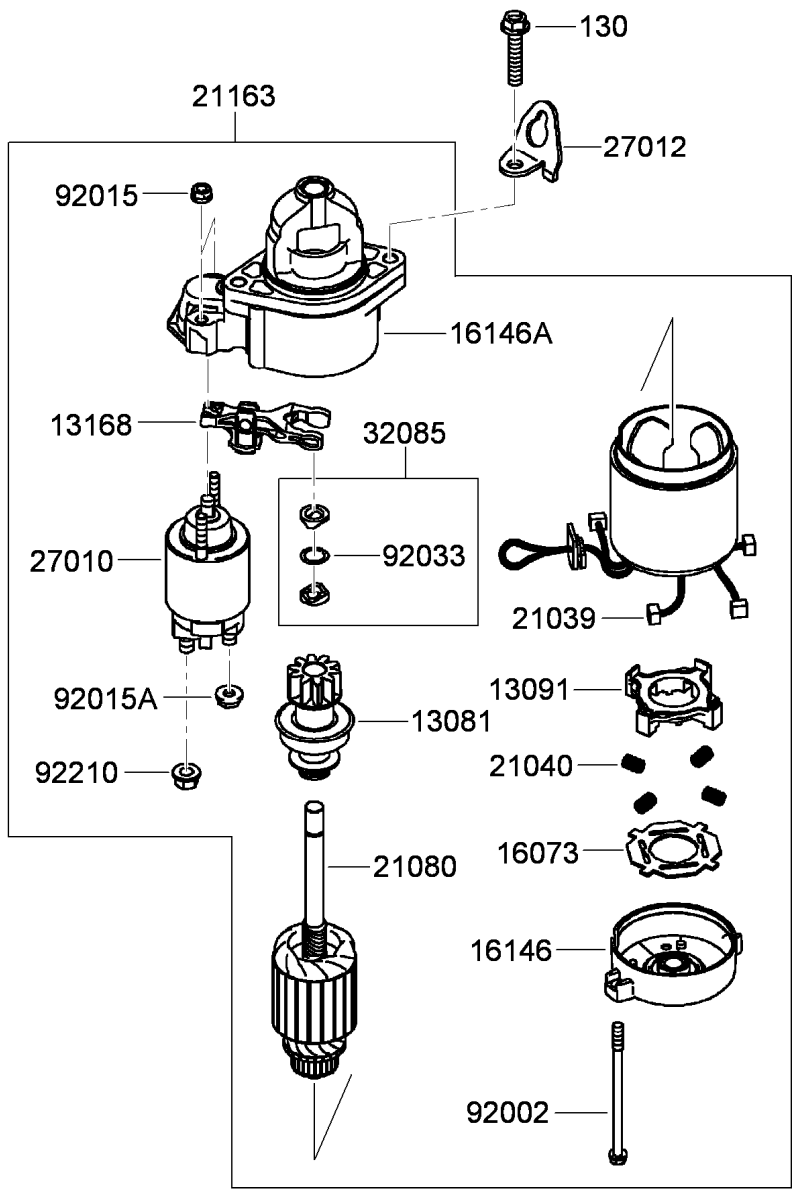
Air Filter and Muffler Assembly

Ref.	Part Number	Qty.	Description	Ref.	Part Number	Qty.	Description
130	119-5960	2	Bolt-Flanged (6X110)	11065	119-5950	1	Cap
130A	119-5961	6	Bolt-Flanged (6X16)	11065A	119-5951	1	Cap
461	119-5962	4	Washer-Spring (8MM)	11065B	119-5952	1	Cap
11010	119-5942	1	Air Filter ASM	16060	119-5953	1	Pipe-Intake
11011	119-5943	1	Case-Filter, Air	92015	119-5954	2	Nut
11013	119-5944	1	Element-Filter, Air (Outer)	92171	119-5955	3	Clamp
11013A	119-5945	1	Element-Filter, Air (Inner)	92173	119-5956	2	Clamp
11055	119-5946	1	Bracket	92192	119-5957	1	Tube (12.6X18.6X118)
11055A	119-5947	1	Bracket	92192A	119-5958	1	Tube
11060	119-5948	2	Gasket-Muffler	92210	119-5959	4	Nut (M8)
11061	119-5949	1	Gasket				



Fuel Tank and Valve Assembly

Ref.	Part Number	Qty.	Description
42036	119-5963	2	Sleeve
49019	119-5964	1	Filter-Fuel
49040	119-5965	1	Pump-Fuel
92009	119-5879	2	Screw
92170	119-5967	6	Clamp
92171	119-5968	1	Clamp
92192	119-5969	1	Tube (6.35X12.7X185)
92192A	119-5970	1	Tube (6.4X12.7X150)
92192B	119-5971	1	Tube (6.35X12.7X390)



Starter Assembly

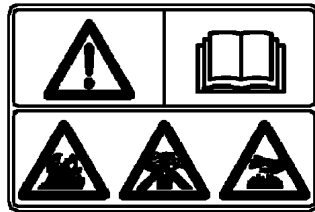
Ref.	Part Number	Qty.	Description
130	119-5991	2	Bolt-Flanged (8X40)
13081	119-5972	1	Clutch ASM
13091	119-5973	1	Holder-Brush
13168	119-5974	1	Lever-Shift
16073	119-5975	1	Insulator
16146	119-5976	1	Cover ASM
16146A	119-5977	1	Cover ASM
21039	119-5978	4	Brush
21040	119-5979	4	Spring-Brush
21080	119-5980	1	Armature

Ref.	Part Number	Qty.	Description
21163	119-5981	1	Starter-Electric
27010	119-5982	1	Switch
27012	119-5983	1	Hook
32085	119-5985	1	Stopper
92002	119-5986	2	Bolt
92015	119-5987	2	Nut
92015A	119-5988	1	Nut
92033	119-5989	1	Ring-Snap
92210	119-5990	1	Nut

56014



56070



Label Set

<i>Ref.</i>	<i>Part Number</i>	<i>Qty.</i>	<i>Description</i>
56014	119-5992	1	Emblem
56070	115-6469	1	Label-Warning

Attachments and Accessories

For 23210 STX-26 Stump Grinder

Product Name

Model/Part

Spark Arrestor Screen 94-8157

Notes:

Notes:

Notes:



Count on it.