



## 17-44HXL Lawn Tractor

Model No. 71228 - 230000001 and up.

### Parts Catalog

---

#### Ordering Replacement Parts

To order replacement parts, please supply: the part number, the quantity, and the description of each part desired.

#### Understanding Reference Numbers

Each identified part in an illustration has a reference number. The reference number for a part also appears in the parts list, along with other information about the part.

This catalog uses two special reference number formats, one to indicate parts in a service assembly and another to indicate the quantity of a given part in an illustration.

#### Service Assembly Reference Numbers

Parts in service assemblies have reference numbers in the form **a:b**. The **a** represents the reference number of the entire service assembly and the **b** represents a sequential number unique to each part within the service assembly.

For example, a wheel assembly might be identified by reference number 6, the tire by **6:1**, the valve by **6:2**, and the wheel by **6:3**. When you order the assembly identified by reference number 6, you receive all parts identified by reference numbers 6:1, 6:2, and 6:3. However, you may also order any part individually. Reference numbers of this type appear in illustrations and in part lists.

#### Reference Numbers Indicating Quantity

In an illustration, if a reference number indicates more than one part, the reference number has the form **nX y**. The **n** represents the quantity of the part, the **X** is the multiplication symbol, and the **y** represents the reference number.

For example, in an illustration, the reference number **2X 37** means that two of the parts identified by reference number 37 are indicated.

# Part Description Abbreviations

Part descriptions in this catalog may include the following abbreviations.

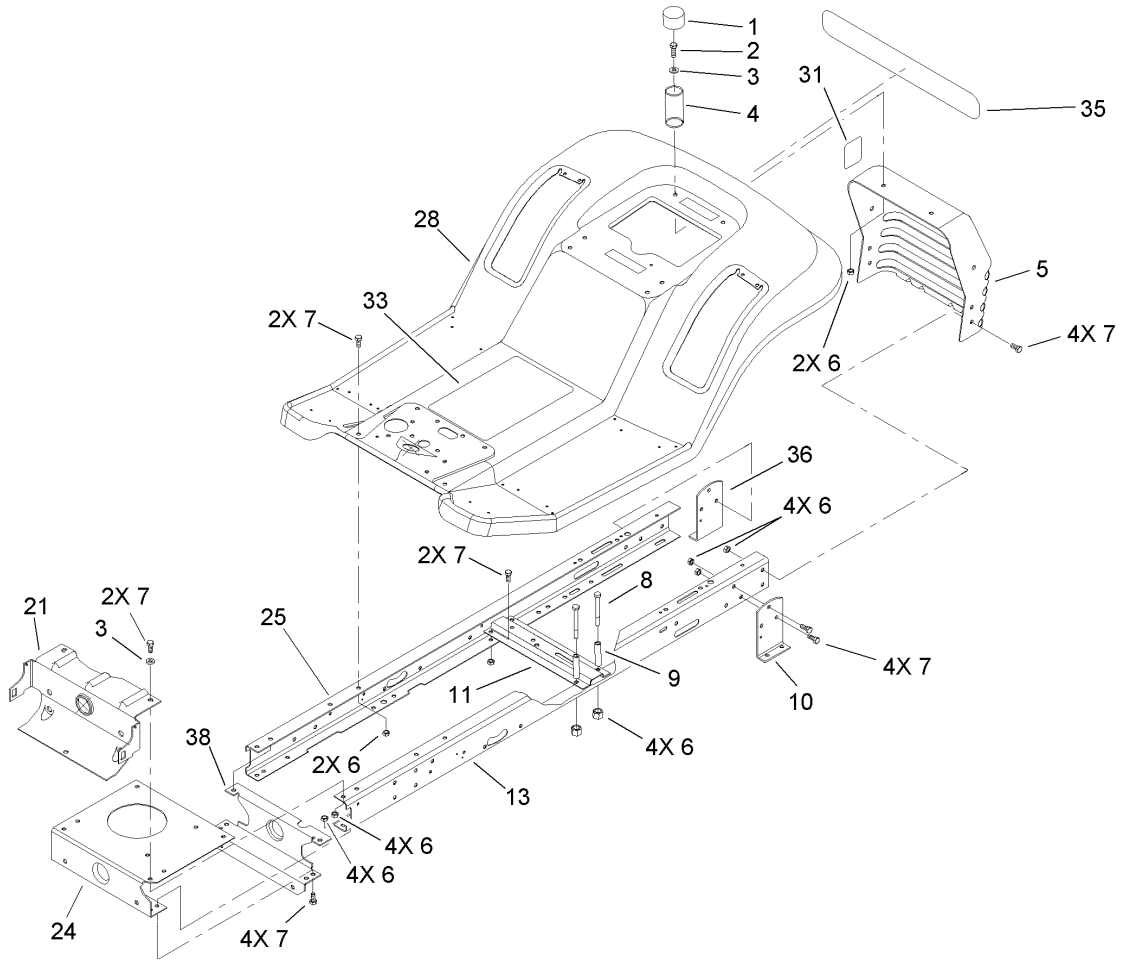
AR. ....	as required	HYD. ....	hydraulic
ASM. ....	assembly	INC. ....	incorporated
CARR. ....	carriage	LH. ....	left hand
DEG. ....	degrees	NI. ....	nylon insert
FH. ....	flat head	PPH. ....	phillips pan head
GA. ....	gauge	PTH. ....	phillips truss head
HF. ....	hex flange	PTO. ....	power take off
HH. ....	hex head	RH. ....	right hand
HHF. ....	hex head flange	SFH. ....	slotted fillister head
HHFTF. ....	hex head flange thread forming	SHH. ....	slotted hex head
HJ. ....	hex jam	SHWH. ....	slotted hex washer head
HLH. ....	hex lag head	SPH. ....	slotted pan head
HOC. ....	height-of-cut	SQH. ....	square head
HS. ....	hex	SRH. ....	slotted round head
HSBH. ....	hex socket button head	STD. ....	standard
HSFH. ....	hex socket flat head	TAP. ....	self tapping
HSH. ....	hex socket head	TTH. ....	torx truss head
HWH. ....	hex washer head	WH. ....	wing head
HWHTF. ....	hex washer head thread forming		

## Footnotes

- |   |   |   |   |
|---|---|---|---|
| ❶ | Not illustrated                               | ❷ | Not serviced separately                     |
| ❸ | Included in Engine Gasket Set-Ref. 358.       | ❹ | Included in Valve Gasket Set-Ref. 1095.     |
| ❺ | Included in Carburetor Overhaul Kit-Ref. 121. | ❻ | Included in Carburetor Gasket Set-Ref. 977. |

## Contents

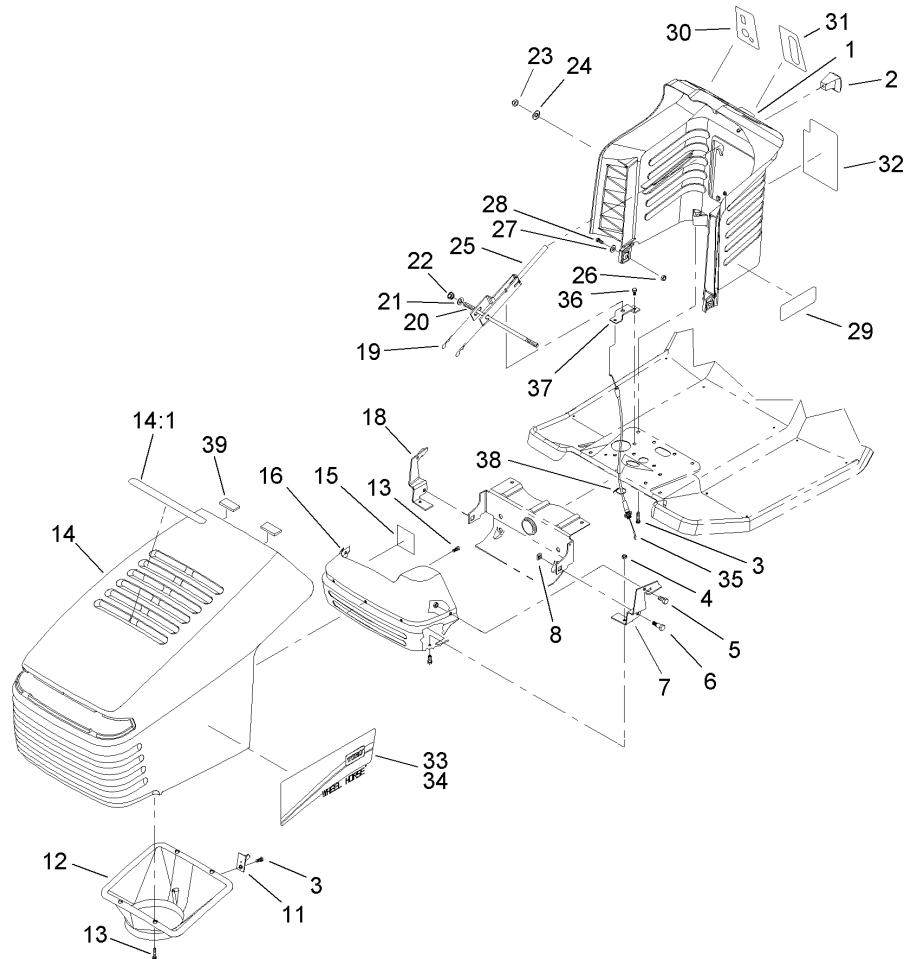
Description	Page	Description	Page
Frame and Body Assembly	..... 3	Crankcase Assembly Briggs and Stratton 31F777-0123-E1	..... 24
Hood and Tower Assembly	..... 4	Oil Filter, Tube and Pump Assembly Briggs and Stratton 31F777-0123-E1	..... 25
Rear Body and Seat Assembly	..... 5	Carburetor Assembly Briggs and Stratton 31F777-0123-E1	..... 26
Steering Component Assembly	..... 6	Air Cleaner Assembly Briggs and Stratton 31F777-0123-E1	..... 27
Fixed Steering Assembly	..... 7	Governor Assembly Briggs and Stratton 31F777-0123-E1	..... 28
Engine System Assembly	..... 8	Blower Housing Assembly Briggs and Stratton 31F777-0123-E1	..... 29
Traction Brake Assembly	..... 9	Starter Assembly Briggs and Stratton 31F777-0123-E1	..... 30
Wheel and Tire Component Assembly	..... 10	Gasket Assembly Briggs and Stratton 31F777-0123-E1	..... 31
Hydro Transaxle Assembly	..... 11	Carburetor Overhaul Kit Assembly Briggs and Stratton 31F777-0123-E1	..... 32
Hydro Transaxle and No Mow In Reverse Assembly	..... 12	Crankshaft Assembly Briggs and Stratton 31F777-0123-E1	..... 33
Height-Of-Cut Component Assembly	..... 13		
Electrical Component Assembly	..... 14		
Transaxle Side Housing and Bearing Assembly	..... 15		
Transaxle Gear Assembly	..... 16		
Transaxle Main Housing and Bearing Assembly	..... 17		
Spindle and Blade Assembly	..... 18		
Chute and Recycler Assembly	..... 19		
Brake and Idler Assembly	..... 20		
Decal and Belt Routing Assembly	..... 21		
Cylinder Assembly Briggs and Stratton 31F777-0123-E1	..... 22		
Cylinder Head Assembly Briggs and Stratton 31F777-0123-E1	..... 23		



## Frame and Body Assembly

Ref	Part No.	Qty.	Description
1	701178	2	Cap-Protector
2	322-5	2	Screw-HH
3	3256-23	4	Washer-Flat
4	88-6220	2	Spring-Compression
5	99-2957-03	1	Panel-Rear, Hitch
6	3296-29	24	Nut-Lock, NI
7	322-3	20	Screw-HH
8	322-13	2	Screw-HH
9	88-5470	2	Spacer-Axle, Front
10	93-3857-03	1	Bracket-Mounting, LH Transaxle
11	88-4620-03	1	Bracket-Idler, Pivot
13	99-2958-03	1	Rail-Frame, LH
21	98-3576-03	1	Support-Axle, Front
24	88-4630-03	1	Plate-Engine, Mounting
25	99-2959-03	1	Rail-Frame, RH
28	99-2971	1	Rear Body ASM
31	100-7449	1	Decal-Dump, Valve
33	99-6095	1	Decal-Instruction, Hydro
35	105-2498	1	Decal-Rear
36	93-3856-03	1	Bracket-Mounting, RH Transaxle
38	93-3831-03	1	Support-Rear

--	--	--	--

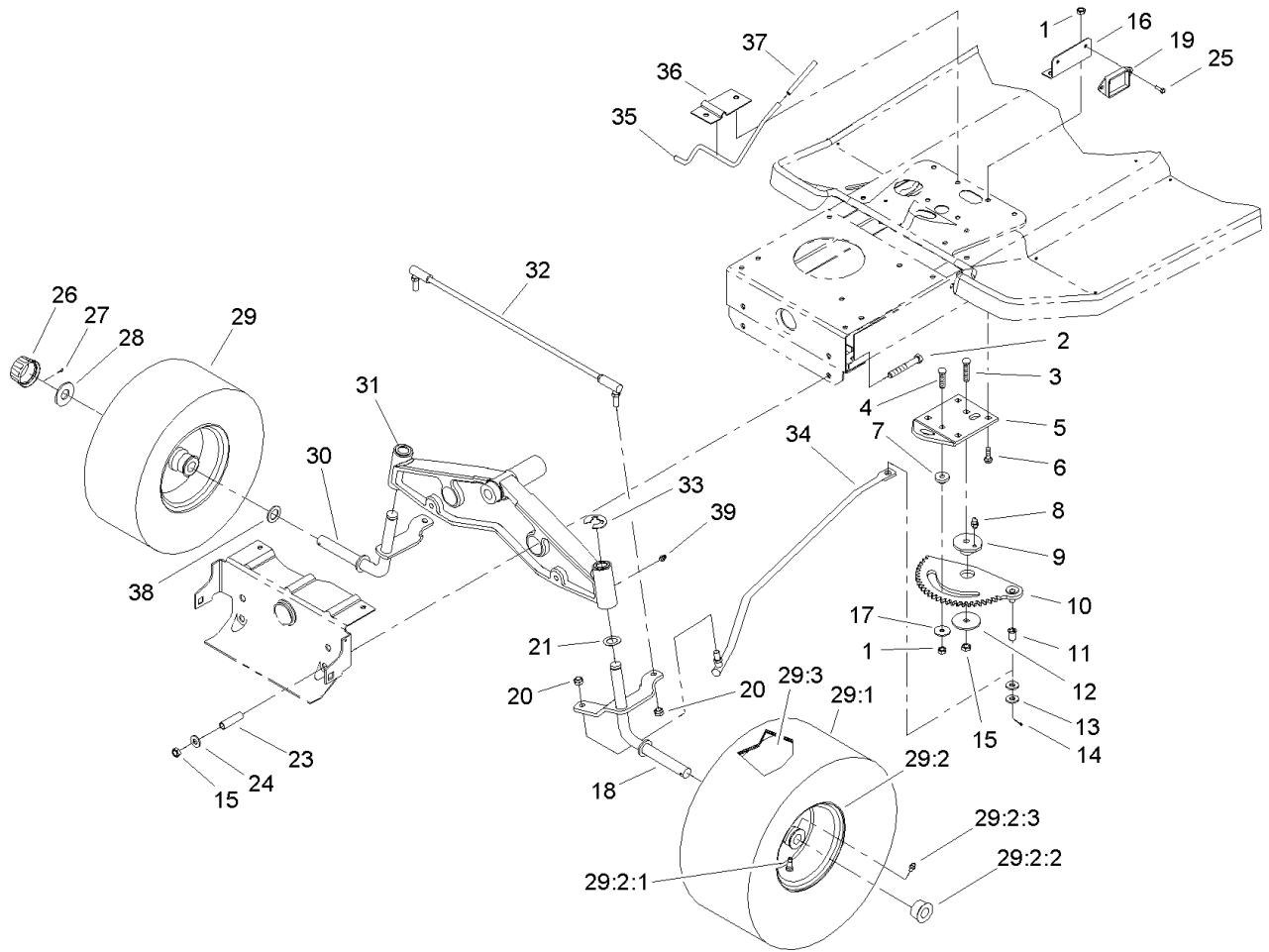


## Hood and Tower Assembly

Ref	Part No.	Qty.	Description
1	99-1947	1	Tower-Steering
2	94-5565	1	Knob-Shift
3	46-8091	3	Screw-HWH
4	3296-42	4	Nut-Lock, NI
5	321-2	4	Screw-HH
6	28-0540	2	Bolt-Shoulder
7	88-6050-03	1	Bracket-Hinge, LH
8	3290-496	2	Nut-Retainer
11	94-1984	1	Latch-Pin
12	93-3891	1	Duct-Air, Hood
13	46-8090	7	Screw-Plastite
14	92-8650	1	Hood ASM
14:1	92-5748	1	Decal-Duct, Air
15	92-5782	3	Tape-Foil
16	93-3864-03	1	Shield-Heat
18	88-6040-03	1	Bracket-Hinge, RH
19	3290-307	2	Pin-Hair
20	100-7401	1	Rod-Tower, Pivot
21	3256-24	2	Washer-Flat
22	3218-3	2	Nut-Jam
23	100-7402	2	Nut-Cap
24	100-7403	2	Washer-Flat
25	88-5190-03	1	Lever-Deck, Engage
26	3296-29	2	Nut-Lock, NI

Ref	Part No.	Qty.	Description
27	3256-23	2	Washer-Flat
28	322-3	2	Screw-HH
29	106-6402	2	Decal-Tower
30	99-8139	1	Decal-Ignition/lights
31	92-2461	1	Decal-Throttle
32	92-2462	1	Decal-Deck, Engage
33	105-2497	1	Decal-Hood, LH
34	105-2496	1	Decal-Hood, RH
35	99-6838	1	Deck Cable ASM
36	9266714	2	Screw-HWH
37	93-3849	1	Bracket-Cable, Upper
38	614249	1	Strap-Tie
39	94-1980	2	Foam-Hood

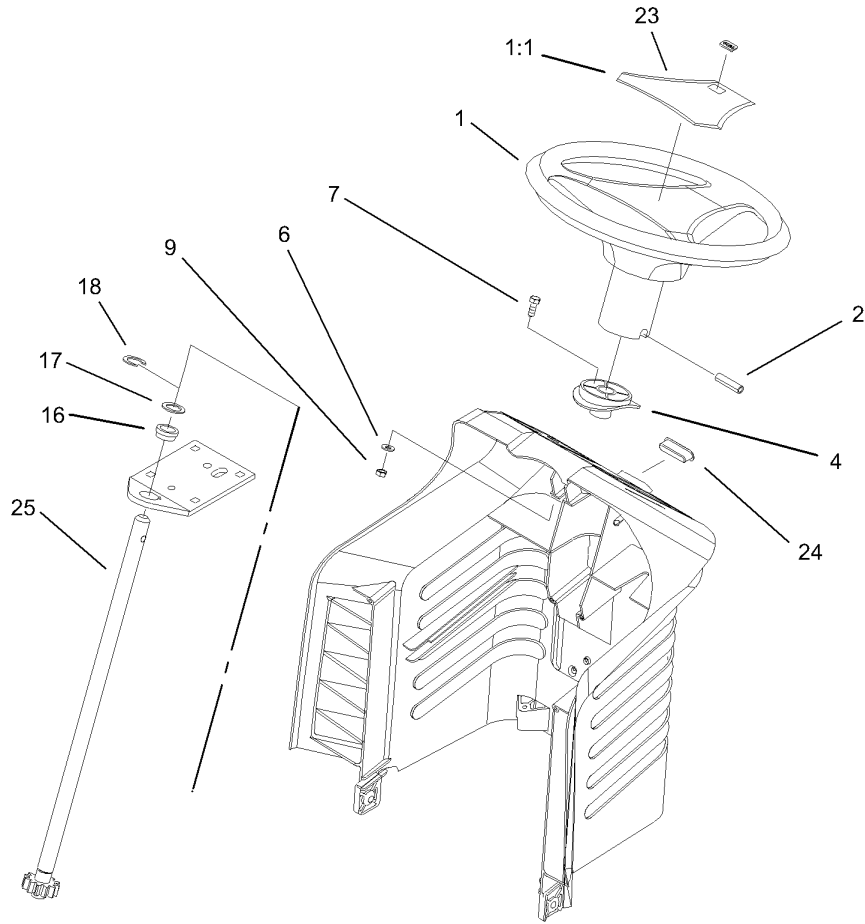




## Steering Component Assembly

Ref	Part No.	Qty.	Description
1	3296-29	5	Nut-Lock, NI
2	323-13	2	Screw-HH
3	3231-4	1	Screw-CARR
4	3230-3	1	Screw-CARR
5	88-5130-03	1	Bracket-Rack, Steering
6	3230-2	4	Bolt-CARR
7	88-5010	1	Spacer-Rack, Steering
8	302-26	1	Fitting-Grease
9	88-4670	1	Bushing-Eccentric
10	88-5200	1	Rack-Steering
11	52-2891	1	Bushing-Link, Steering
12	111419	1	Washer-Bearing
13	3256-25	2	Washer-Flat
14	3272-10	1	Pin-Cotter
15	3296-39	3	Nut-Lock, NI
16	99-2956-03	1	Bracket-Module
17	5-4460	1	Washer-Pivot
18	93-3833-03	1	Spindle-LH
19	99-3700	1	Module
20	3296-5	3	Nut-Lock, NI
21	3-6498	2	Washer-Thrust
23	88-5470	2	Spacer-Axle, Front
24	3256-24	2	Washer-Flat
25	9266714	2	Screw-HWH

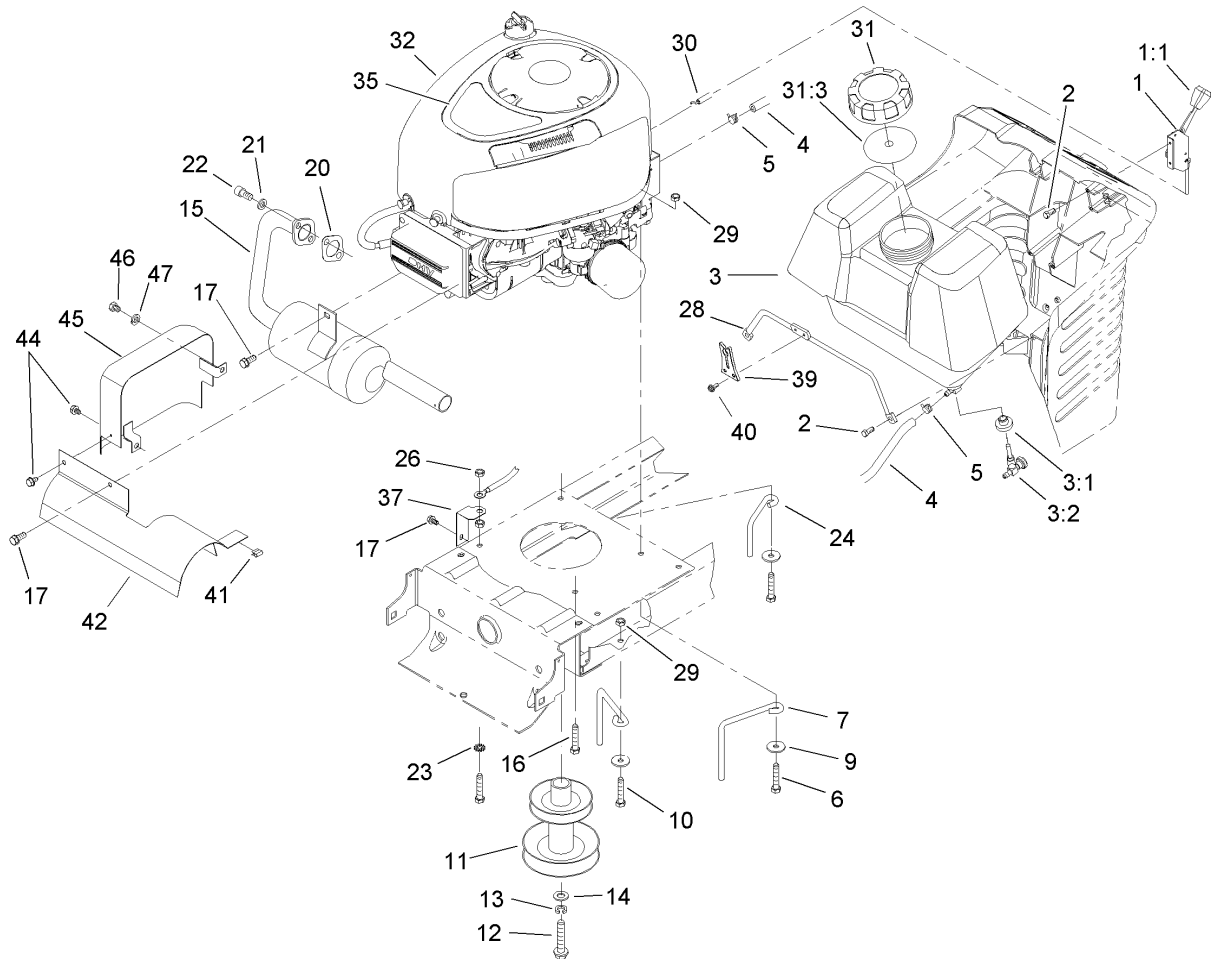
Ref	Part No.	Qty.	Description
26	61-9780	2	Cap-Hub
27	3272-12	2	Pin-Cotter
28	28-2480	2	Washer
29		2	Front Wheel And Tire ASM
29:1	99-2988	1	Tire
29:2	88-4370	1	Rim ASM
29:2:1	232-27	1	Stem-Valve
29:2:2	88-4400	2	Bearing-Wheel
29:2:3	302-5	1	Fitting-Grease
29:3	232-39	1	Tube
30	92-7889-03	1	Spindle-RH
31	99-2955-03	1	Axle-Front
32	93-3873	1	Tie Rod ASM
33	32151-48	2	E-Ring
34	93-3840	1	Link-Drag
35	88-5510	1	Rod-Brake, Parking
36	88-5520-03	1	Bracket-Brake, Parking
37	88-0890	1	Grip-Brake, Parking
38	3-6498	4	Washer-Thrust
39	302-5	2	Fitting-Grease



### Fixed Steering Assembly

Ref	Part No.	Qty.	Description
1	98-1467	1	Wheel-Steering
1:1	98-1468	1	Cover-Wheel, Steering
2	32121-111	1	Pin-Roll
4	88-4190	1	Bushing-Sliding
6	3256-22	2	Washer-Flat
7	321-4	2	Screw-HH
9	3296-42	2	Nut-Lock, NI
16	88-5150	1	Bearing-Flange
17	3-6498	1	Washer-Thrust
18	32151-48	1	E-Ring
23	98-1459	1	Decal
24	88-4150	1	Plug
25	88-6380	1	Shaft-Steering, Long

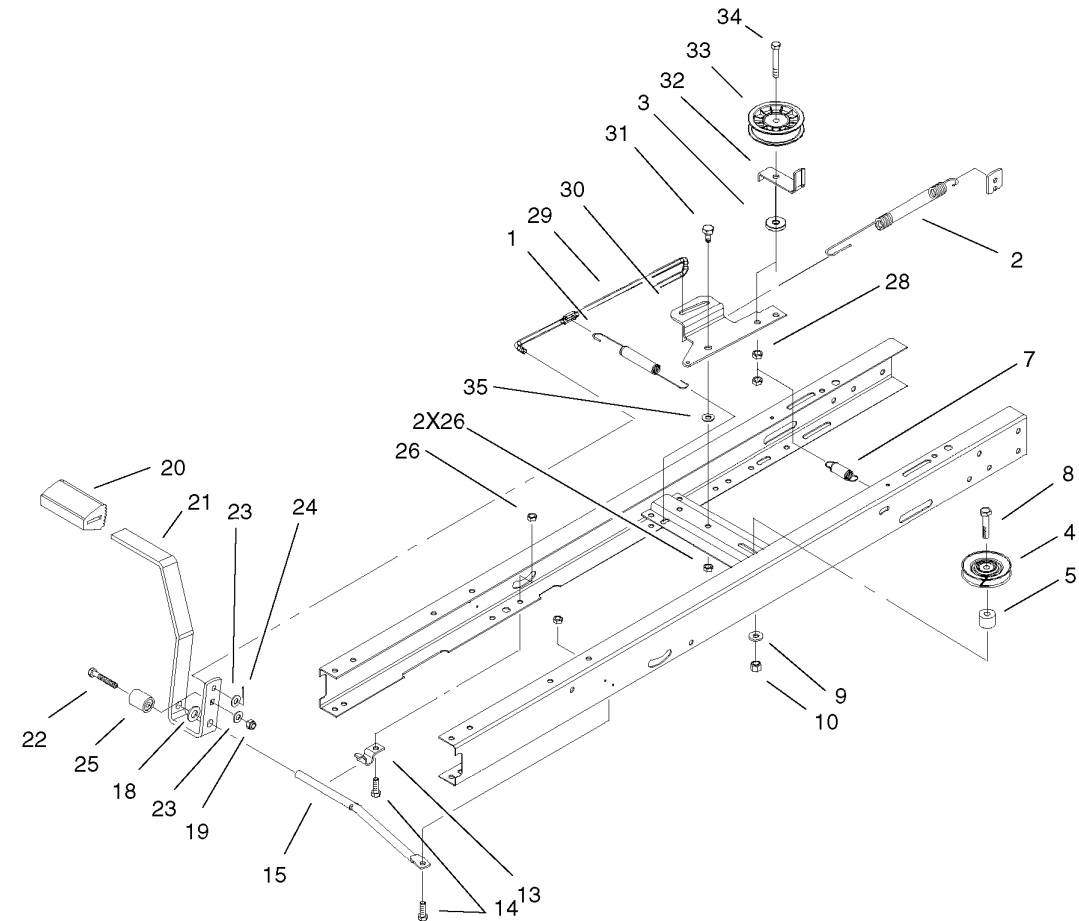
--	--	--	--



## Engine System Assembly

Ref	Part No.	Qty.	Description
1	88-4340	1	Control-Throttle
1:1	66-0120	1	Knob
2	27-0220	4	Screw-Special
3	88-3880	1	Gas Tank ASM
3:1	104047	1	Bushing
3:2	104048	1	Valve-Fuel
4	47-2963	1	Hose-Fuel
5	2412-98	2	Clamp
6	322-9	3	Screw-HH
7	93-3854	3	Guide-Belt, Engine
9	5-4460	4	Washer-Pivot
10	322-5	2	Screw-HH
11	100-7414	1	Pulley-Engine
12	62-3760	1	Screw-HH
13	3253-22	1	Washer-Lock
14	3256-25	1	Washer-Flat
15	99-6845	1	Muffler
16	9267154	1	Screw
17	9266714	3	Screw-HWH
20	88-4410	1	Gasket-Muffler
21	3253-4	2	Washer-Lock
22	3274-10	2	Screw-HSH
23	3255-8	1	Washer-Lock
24	93-3855	1	Guide-Belt, RH

Ref	Part No.	Qty.	Description
26	32149-1	2	Nut
28	94-1952	1	Rod-Tank, Gas
29	3296-29	4	Nut-Lock, NI
30	88-4350	1	Cable-Throttle
31	88-3980	1	Gas Cap ASM
31:3	88-4010	1	Gasket-Cap, Gas
32		1	Engine-17hp, Briggs And Stratton
35	106-6410	1	Decal-Engine
37	93-3809	1	Bracket-Ground
39	94-1951	1	Latch-Hood
40	32144-112	2	Screw-HWHTF
41	93-3882	1	Clip-Tinnerman
42	93-3880-03	1	Shield-Muffler
44	32104-76	2	Screw
45	93-8450-03	1	Exhaust Shield ASM
46	322-3	1	Screw-HH
47	3253-4	1	Washer-Lock



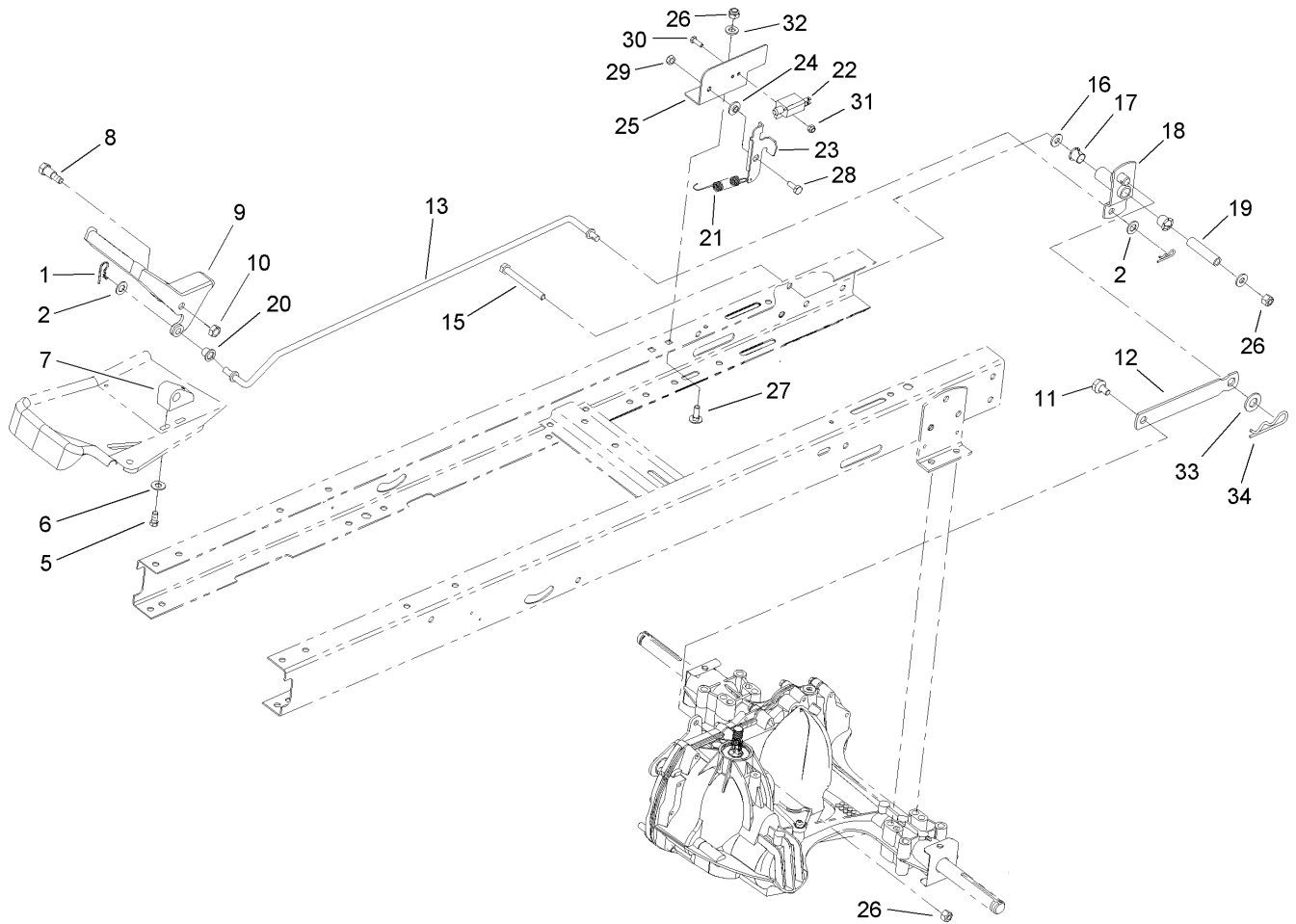
## Traction Brake Assembly

Ref	Part No.	Qty.	Description
1	27-8890	1	Spring-Return
2	100-7422	1	Spring-Brake
3	92-4890	1	Washer-Wheel
4	92-7102	1	Pulley-Idler
5	92-5791	1	Spacer
7	88-6330	1	Spring-Extension
8	323-10	1	Screw-HH
9	3256-3	1	Washer-Flat
10	3296-39	1	Nut-Lock, NI
13	88-4810	1	Clamp-Shift, Pivot
14	322-3	2	Screw-HH
15	88-5500	1	Rod-Pedal, Pivot
18	3256-26	1	Washer-Flat
19	3296-47	1	Nut-Lock, NI
20	65-2920	1	Pad-Pedal
21	88-5000-03	1	Pedal-Clutch/brake
22	322-9	1	Screw-HH
23	3256-23	2	Washer-Flat
24	3272-10	1	Pin-Cotter
25	99-6836	1	Spacer-Switch
26	3296-29	3	Nut-Lock, NI
28	3296-59	2	Nut-Lock, NI
29	88-5270	1	Rod-Clutch/brake
30	88-6070	1	Arm-Idler

Ref	Part No.	Qty.	Description
31	37-8770	1	Bolt-Shoulder
32	88-5560	1	Guide-Idler, Belt
33	104-4160	1	Pulley-Idler
34	323-11	1	Screw-HH
35	5-4460	1	Washer-Pivot



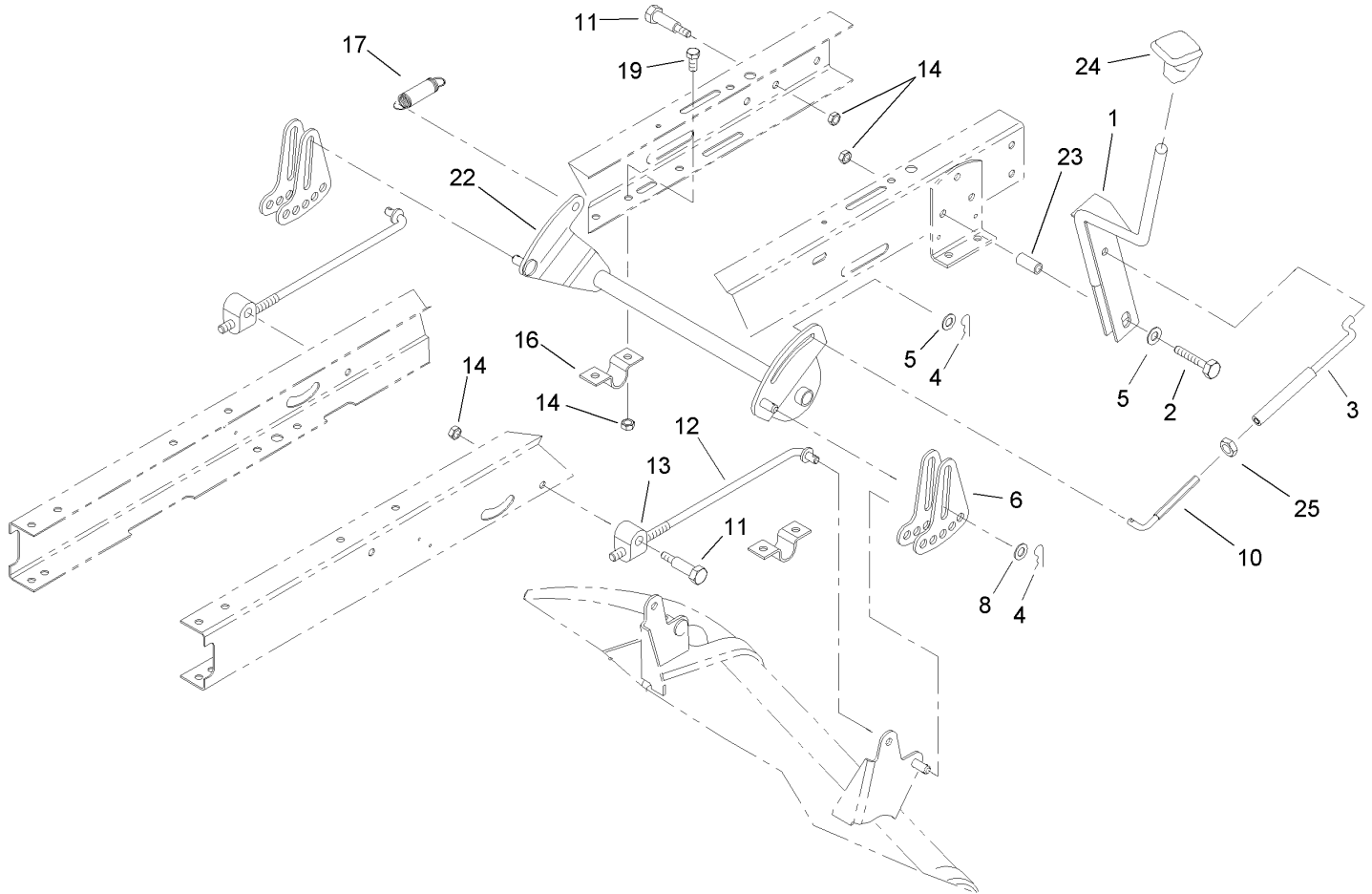




## Hydro Transaxle and No Mow In Reverse Assembly

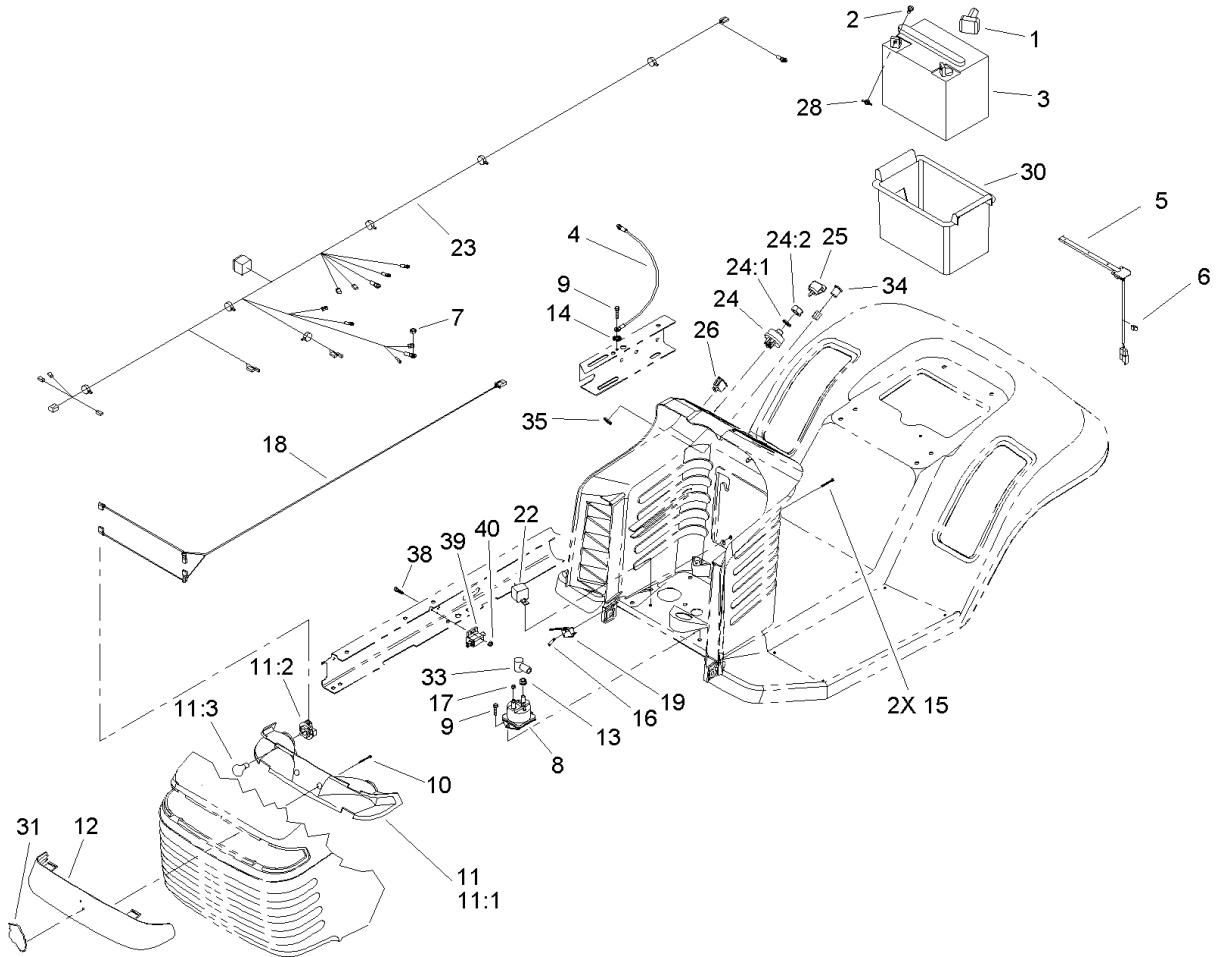
Ref	Part No.	Qty.	Description
1	3290-307	2	Pin-Hair
2	3256-38	2	Washer-Flat
5	46-8090	2	Screw-Plastite
6	3256-22	2	Washer-Flat
7	88-4690	1	Block-Pivot
8	23-0310	1	Bolt-Shoulder
9	99-6120-05	1	Pedal-Control, Speed
10	3296-59	1	Nut-Lock, NI
11	37-8770	1	Bolt-Shoulder
12	99-6849	1	Link-Control, Speed
13	99-6839	1	Rod-Control, Speed
15	322-14	1	Screw-HH
16	3256-2	2	Washer-Flat
17	256-257	2	Bushing-Nyliner
18	99-6835-03	1	Pivot ASM
19	99-6832	1	Spacer-Pivot
20	99-6121	1	Bushing
21	99-6805	1	Spring-Extension
22	95-1653	1	Switch-Pole, Single
23	99-6807	1	Bracket-Pivot
24	99-6808	1	Washer-Stepped
25	99-6806	1	Bracket-Adjustment
26	3296-29	4	Nut-Lock, NI
27	3230-18	2	Screw-CARR

Ref	Part No.	Qty.	Description
28	99-6810	1	Screw-HH
29	3296-42	1	Nut-Lock, NI
30	3290-392	2	Screw-HHF
31	3296-1	2	Nut-Lock, NI
32	3256-23	2	Washer-Flat
33	3256-26	1	Washer-Flat
34	9335054	1	Pin-Hair



## Height-Of-Cut Component Assembly

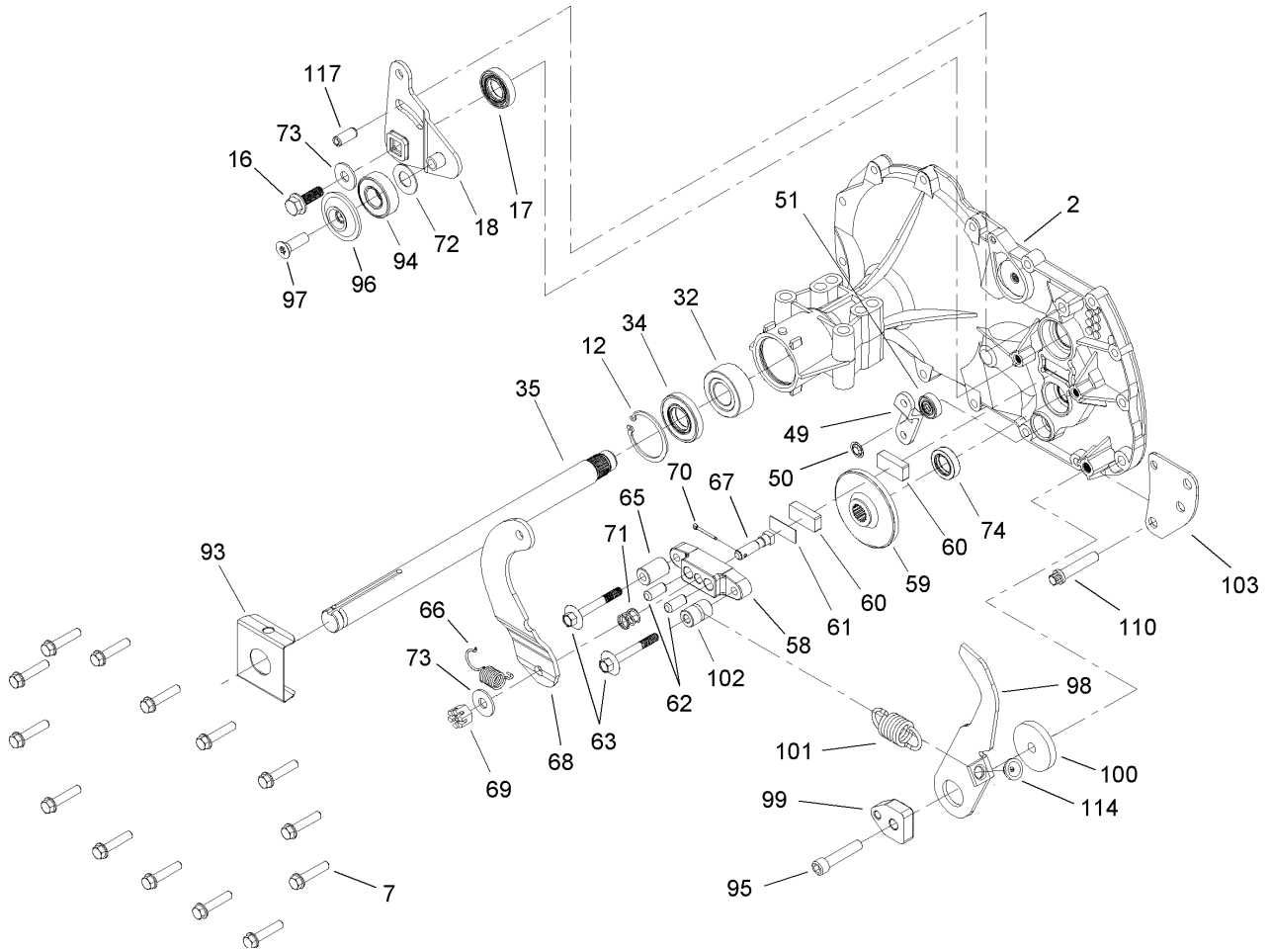
Ref	Part No.	Qty.	Description
1	93-3822-03	1	Lever
2	322-39	1	Screw-HH
3	93-3885	1	Tube
4	3290-307	3	Pin-Hair
5	3256-24	2	Washer-Flat
6	88-5570-03	4	Link-Adjusting, HOC
8	80-6990	2	Washer-Hardened
10	93-3888	1	Link-HOC
11	7-0030	3	Bolt-Shoulder
12	88-5450	2	Rod-Hanger, Rear
13	88-4230	2	Trunnion-HOC
14	3296-29	8	Nut-Lock, NI
16	88-4730	2	Clamp-Hoc, Pivot
17	93-3808	1	Spring-Extension
19	322-3	4	Screw-HH
22	93-7660-03	1	Pivot-HOC
23	65-7210	1	Spacer
24	94-5565	1	Knob-Shift
25	3218-2	1	Nut-Jam
①99	92-5771	1	Rod-Removal, Spring

## Electrical Component Assembly

Ref	Part No.	Qty.	Description
1	28-8080	1	Boot-Terminal
2	321-4	2	Screw-HH
3	104-1755	1	Battery
4	44-8110	1	Wire ASM
5	38-1420	1	Switch-Seat
6	702366	1	Clip-Retainer, Wire
7	32149-2	1	Nut
8	28-4210	1	Solenoid
9	9266714	3	Screw-HWH
10	32144-32	2	Screw
11	88-3970	1	Reflector And Lamp ASM
11:1	93-8741	1	Reflector
11:2	111686	2	Socket-Light
11:3	7228	2	Bulb
12	88-3960	1	Lens-Headlight
13	32149-1	2	Nut
14	3255-7	2	Washer-Lock/ext
15	93-0539	2	Screw-HH
16	3290-354	1	Nut-Speed
17	32149-8	2	Nut-Keys
18	99-1935	1	Harness-Headlight
19	88-9932	1	Switch-Micro
22	98-7249	1	Relay
23	99-6840	1	Harness-Wire

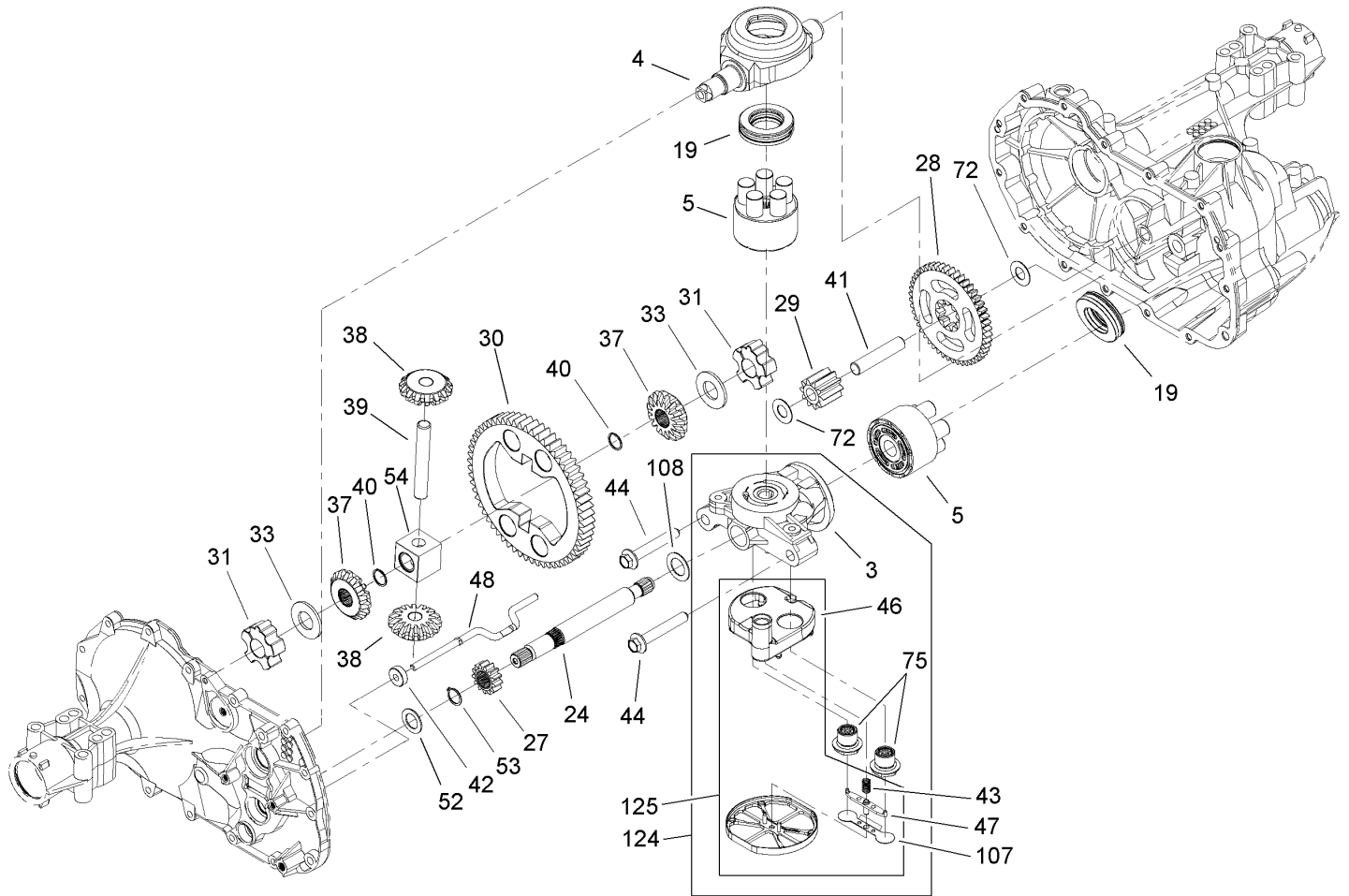
Ref	Part No.	Qty.	Description
24	88-9830	1	Key Switch ASM
24:1	3254-5	1	Washer-Tooth
24:2	218-461	1	Nut-HH
25	63-8360	1	Key-Ignition
26	92-8875	1	Switch-Rocker
28	32103-22	2	Nut-Wing
30	88-4040	1	Box-Battery
31	95-4248	1	Decal
33	93-3190	1	Boot-Insulator, Terminal
34	95-7652	1	Light-Indicator
35	99-6059	1	Clip-Retainer
38	3274-14	2	Screw-HSH
39	65-7410	1	Switch-Pole, Single
40	3296-2	2	Nut-Lock



## Transaxle Side Housing and Bearing Assembly

Ref	Part No.	Qty.	Description
2	104-5302	1	Side Housing ASM
7	104-5305	14	Screw-HHF
12	104-5309	1	Ring-Retaining
16	104-5312	1	Screw-HF
17	104-5313	1	Seal-Lip
18	104-5314	1	Arm-Control
32	104-5321	1	Bearing-Sleeve, Outboard
34	104-5322	1	Seal-Lip
35	104-5323	1	Shaft-Axle, RH
49	104-5336	1	Arm-Bypass
50	104-5337	1	Ring-Retaining
51	104-5338	1	Seal-Lip
58	104-5343	1	Yoke-Brake
59	104-5344	1	Rotor-Brake
60	104-2171	2	Puck-Brake
61	104-2181	1	Puck-Plate
62	104-2176	2	Pin-Brake
63	104-5345	2	Screw-HF
65	104-2180	1	Spacer
66	104-2184	1	Spring-Arm, Brake
67	104-2174	1	Bolt-SQH
68	104-5346	1	Arm-Brake
69	93-3807	1	Nut-Castle
70	3272-7	1	Pin-Cotter

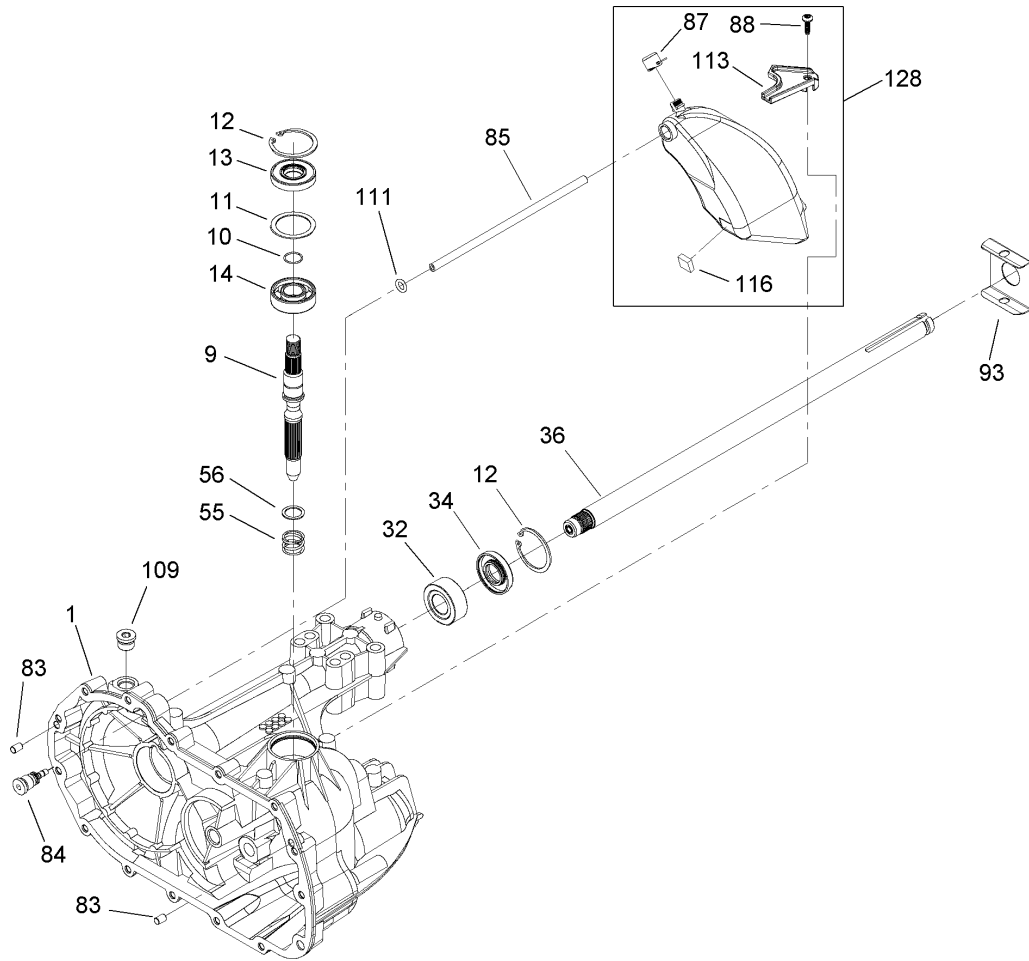
Ref	Part No.	Qty.	Description
71	104-2188	1	Spring-Brake, Anti Drag
72	94-1933	1	Washer
73	5-4460	2	Washer-Pivot
74	104-5347	1	Seal-Oil
93	104-5353	1	Clip-Spring
94	104-2156	1	Bearing
95	104-2155	1	Screw
96	104-2157	1	Spacer-Locating
97	104-2158	1	Screw-Countersunk
98	104-5354	1	Arm-Return
99	104-2119	1	Puck-Adjusting
100	104-5355	1	Washer
101	104-5356	1	Spring-Extension
102	104-5357	1	Spacer
103	104-5358	1	Bracket-Torque
110	104-2148	1	Screw-TTH
114	104-5363	1	Guide-Spring
117	104-5365	1	Pin-Spring



## Transaxle Gear Assembly

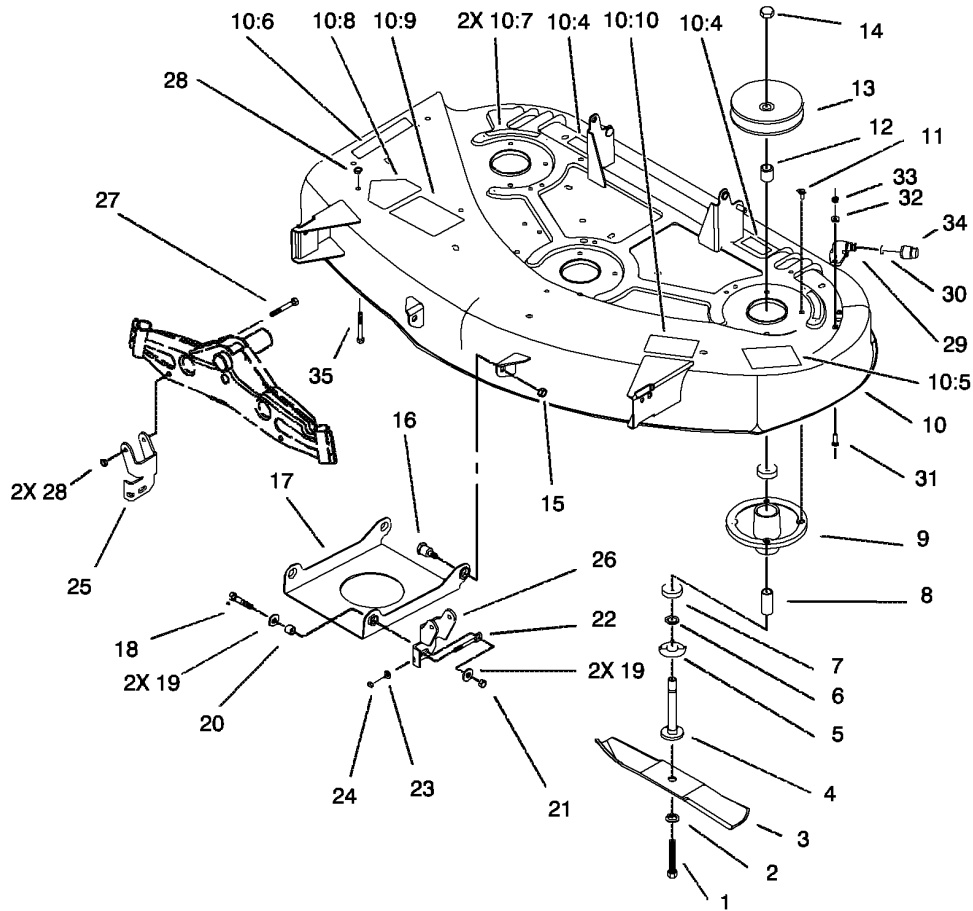
Ref	Part No.	Qty.	Description
3	104-5303	1	Center Section ASM
4	104-5304	1	Swashplate-Trunnion
5	104-2106	2	Cylinder Block ASM
19	94-6922	2	Bearing-Thrust
24	104-5315	1	Shaft-Motor
27	104-5316	1	Gear-Pinion, 13t
28	104-5317	1	Gear-10t/48t
29	104-5318	1	Gear-Jackshaft, 10t
30	104-5319	1	Gear-Bull 60t
31	104-5320	2	Bearing-Sleeve
33	94-1943	2	Washer
37	104-5325	2	Gear-Miter
38	104-5326	2	Gear-Miter 15t
39	104-5327	1	Shaft
40	104-5328	2	Ring-Retaining, Spiral
41	104-5329	1	Pin-Jackshaft
42	104-5330	1	Magnet-Ring
43	104-5331	1	Spring-Bypass
44	94-6926	2	Bolt
46	104-5333	1	Base-Filter
47	104-5334	1	Actuator-Bypass
48	104-5335	1	Rod-Actuator, Bypass
52	104-5339	1	Washer-Flat
53	104-5340	1	Ring-Retaining

Ref	Part No.	Qty.	Description
54	104-5341	1	Bearing-Block, Center
72	94-1933	2	Washer
75	104-5348	2	Check Plug ASM
107	104-5359	1	Deflector
108	104-5360	1	Washer-Shaft, Motor
124	106-6522	1	Center Section Filter Bypass ASM
125	106-6523	1	Filter ASM
●127	104-5368	1	Seal Kit



## Transaxle Main Housing and Bearing Assembly

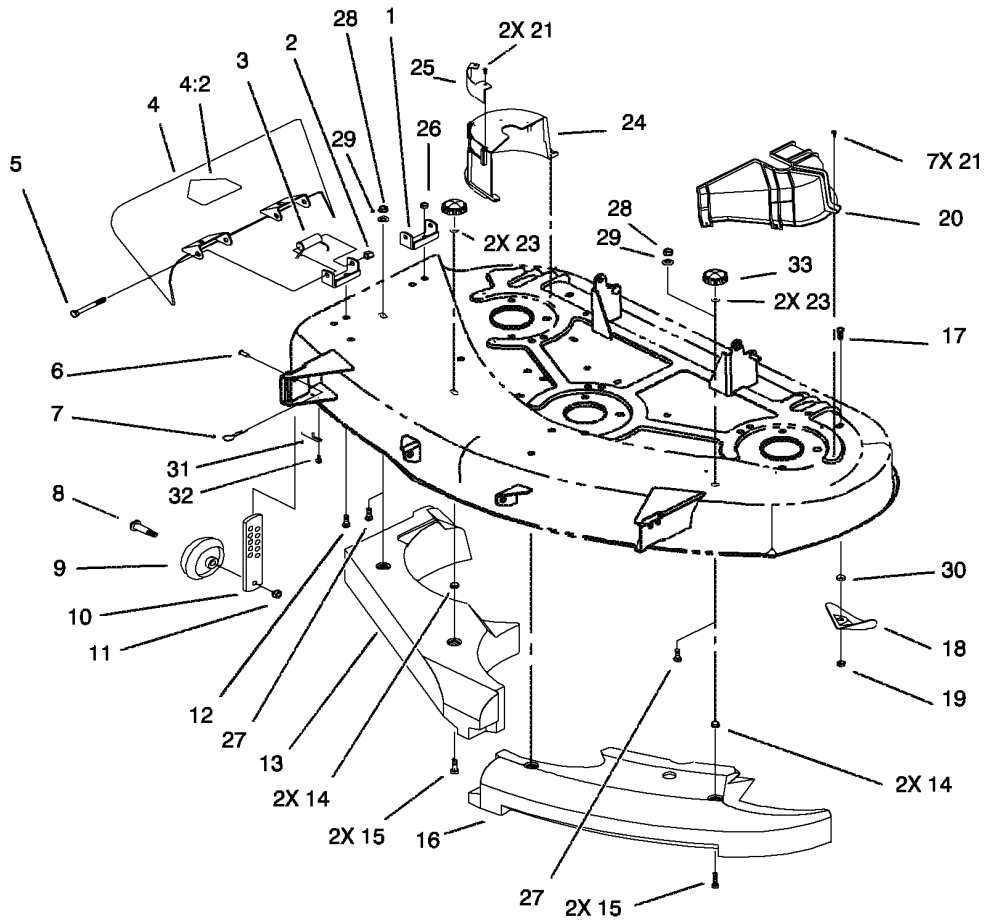
Ref	Part No.	Qty.	Description				
1	104-5301	1	Main Housing ASM				
9	104-5306	1	Shaft-Input				
10	104-5307	1	Ring-Retaining				
11	104-5308	1	Spacer				
12	104-5309	2	Ring-Retaining				
13	104-5310	1	Seal-Lip				
14	104-5311	1	Bearing-Ball				
32	104-5321	1	Bearing-Sleeve, Outboard				
34	104-5322	1	Seal-Lip				
36	104-5324	1	Shaft-Axle, LH				
55	94-1936	1	Spring-Block				
56	94-1937	1	Washer-Block, Thrust				
83	104-2170	2	Pin				
84	104-5349	1	Fitting-Sae				
85	104-5350	1	Hose-Expansion, Tank				
87	104-5351	1	Cap-Vent				
88	104-5352	1	Bolt-Tapping, Self				
93	104-5353	1	Clip-Spring				
109	104-2189	1	Plug-Thread, Straight				
111	104-5361	1	O-Ring				
113	104-5362	1	Bracket-Support				
116	104-5364	1	Sponge-Silicone				
128	104-5369	1	Expansion Tank Kit				



## Spindle and Blade Assembly

Ref	Part No.	Qty.	Description
1	26-0671	3	Screw-Blade
2	3290-465	3	Washer-Belleville
3	92-7952	3	Blade-Recycler
4	80-4342	3	Shaft-Spindle
5	80-4360	3	Shield-Bearing
6	80-4380	3	Spacer
7	100-1048	6	Bearing-Ball
8	62-3661	3	Spacer-Bearing
9	88-4510	3	Spindle
10	95-6107	1	Deck ASM
10:4	55-4300	2	Decal-Warning
10:5	66-1340	1	Decal-Danger
10:6	68-3650	1	Decal-Deflector Danger
10:7	68-3660	2	Decal-Shield Danger
10:8	93-1122	1	Decal-Danger
10:9	93-3777	1	Decal, Belt Install
10:10	93-7282	1	Decal-Wheel Adjustment
11	32144-41	12	Screw-Taptite
12	88-5360	3	Spacer
13	88-5330	3	Pully-Deck
14	3219-6	3	Nut-Hex
15	3296-23	2	Nut-Lock, NI
16	94-5823	2	Bolt-Shoulder
17	93-3881-03	1	Pan-Front Deck, Suspension

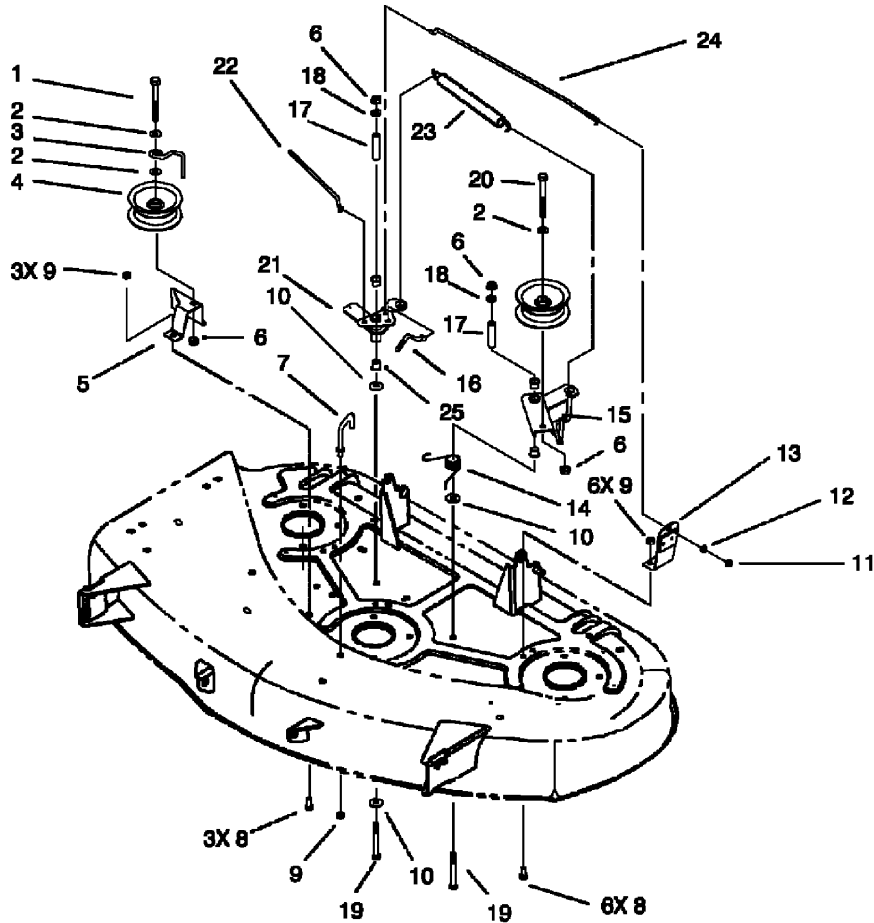
Ref	Part No.	Qty.	Description
18	323-9	2	Screw-HH
19	80-6990	4	Washer-Hardened
20	93-9847	2	Spacer
21	3296-39	2	Nut-Lock, NI
22	61-9980	2	Screw-Adjusting
23	3256-22	2	Washer-Flat
24	3296-42	2	Nut-Lock, NI
25	93-9849-03	1	Bracket-RH
26	93-9848-03	1	Bracket-LH
27	322-12	2	Screw-HH
28	3296-29	3	Nut-Lock, NI
29	95-2747	1	Fitting-Washout
30	46-6290	1	O-Ring
31	3229-1	2	Screw-CARR
32	3256-1	2	Washer-Flat
33	3296-16	2	Nut-Lock, NI
34	95-3270	1	Connector-Hose
35	322-1	1	Screw-HH



## Chute and Recycler Assembly

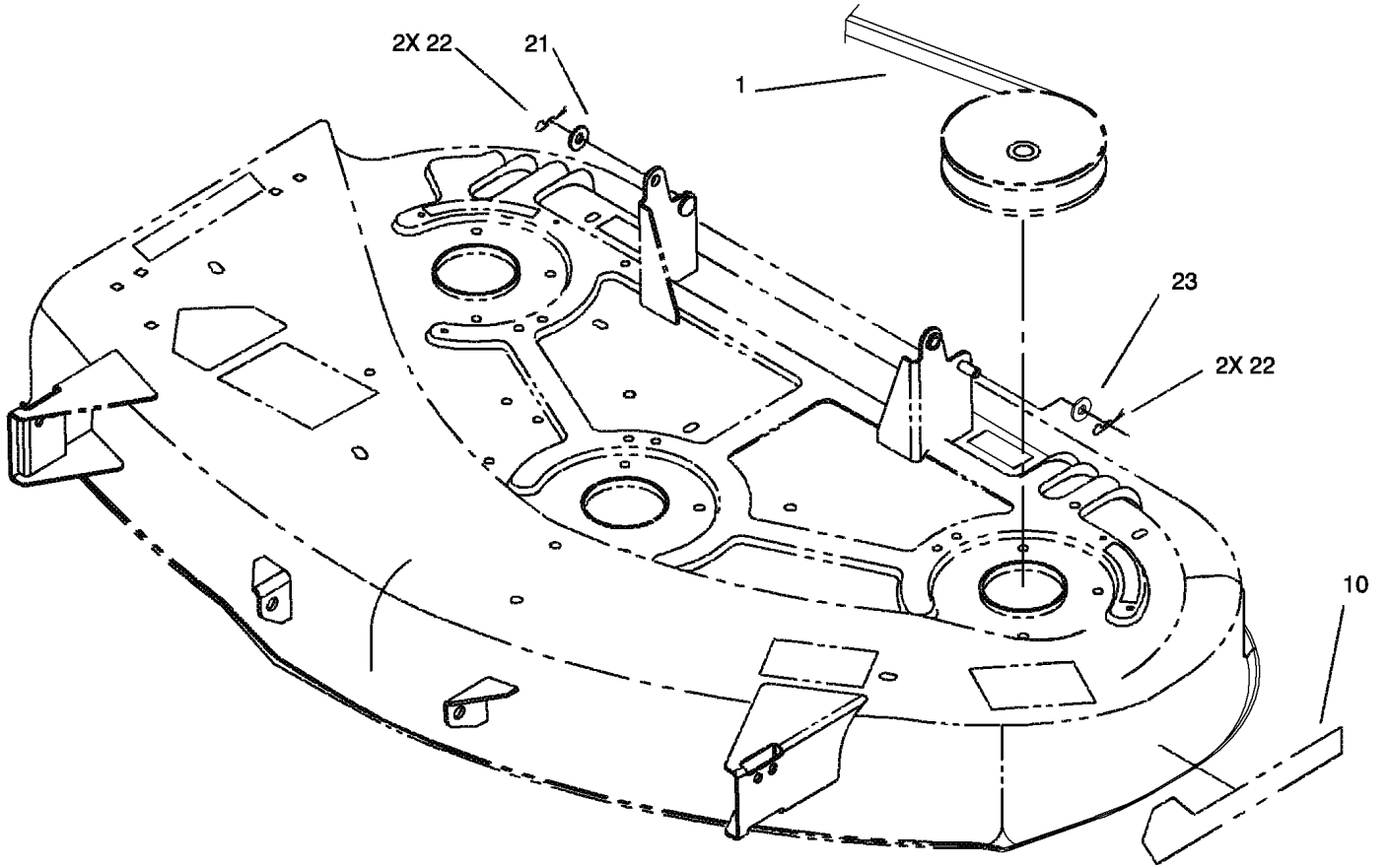
Ref	Part No.	Qty.	Description
1	29-5590-03	2	Bracket-Pivot
2	3296-5	2	Nut-Lock, NI
3	40-6230	2	Spring
4	100-6206	1	Deflector ASM
4:2	43-8480	1	Decal-Danger
5	3211-15	2	Screw-HH
6	283-2	2	Pin-Clevis
7	3290-307	2	Pin-Hair
8	56-6591	2	Bolt-Wheel
9	701756	2	Wheel-Gage
10	93-8010	2	Plate-Gage Wheel
11	3296-59	2	Nut-Lock, NI
12	3230-23	4	Screw-CARR
13	93-7651	1	Baffle-RH
14	32149-1	4	Nut
15	322-6	4	Screw-HH
16	93-7652	1	Baffle-LH
17	3230-23	4	Screw-CARR
18	84-5760	4	Plate-Kicker
19	3296-29	4	Nut-Lock, NI
20	93-3866	1	Cover-Belt, LH
21	32104-76	9	Screw
23	3290-456	4	Washer-Belleville
24	93-3865	1	Cover-Belt, RH

Ref	Part No.	Qty.	Description
25	93-3876-03	1	Insert-Belt Cover
26	3296-29	4	Nut-Lock, NI
27	3231-21	2	Screw-CARR
28	3296-39	2	Nut-Lock, NI
29	3256-5	2	Washer-Flat
30	59-4310	4	Spacer
31	94-1981	2	Spring-Gage Wheel
32	32104-76	2	Screw
33	94-5583	4	Knob



### Brake and Idler Assembly

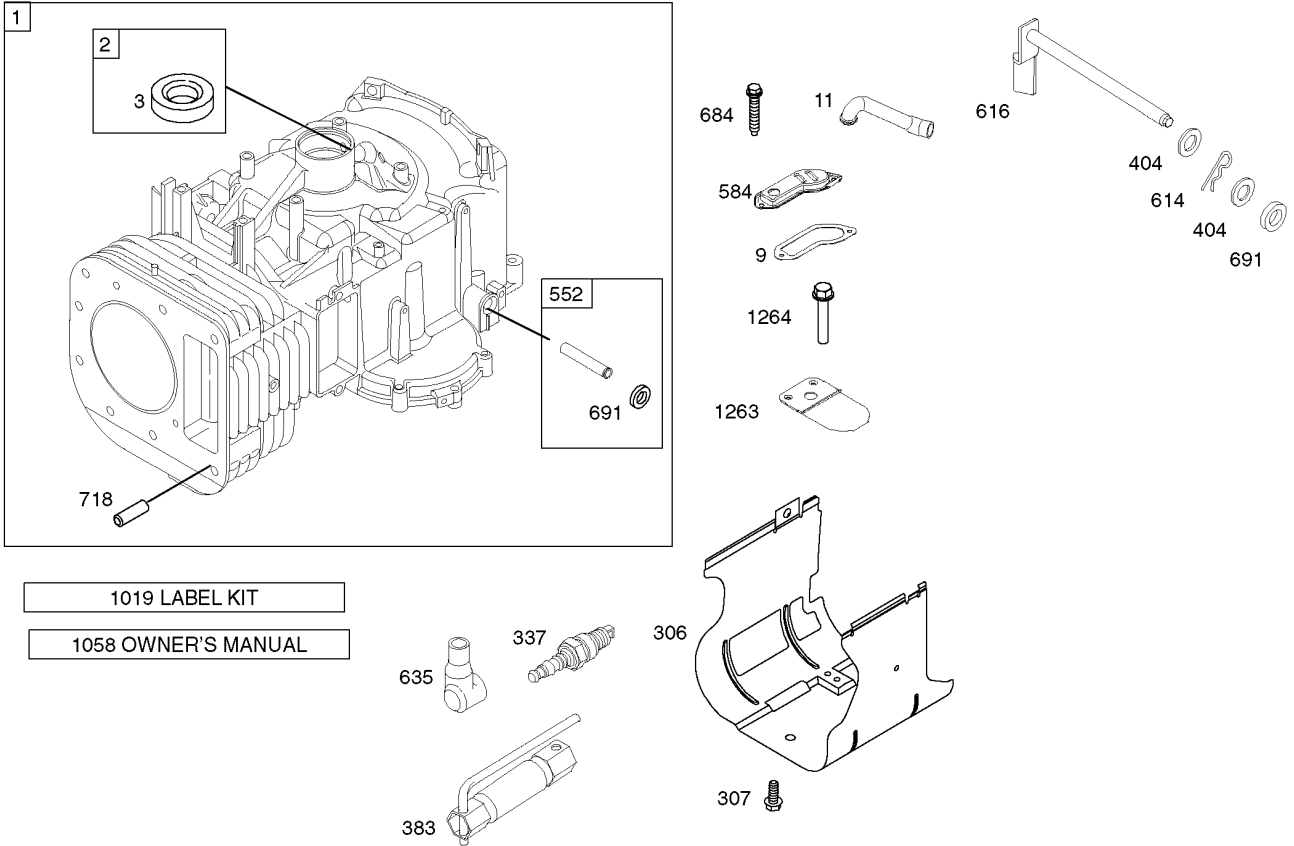
Ref	Part No.	Qty.	Description	Ref	Part No.	Qty.	Description
1	323-12	1	Screw-HH	25	256-257	4	Bushing-Nyliner
2	3256-24	3	Washer-Flat				
3	88-5070	1	Guide-Idler, Belt				
4	88-5630	2	Pulley-Idler, Flat				
5	93-3860-03	1	Bracket-Idler				
6	3296-39	4	Nut-Lock, NI				
7	88-5960	1	Guide-Trans Belt, LH				
8	322-3	9	Screw-HH				
9	3296-29	10	Nut-Lock, NI				
10	80-6990	3	Washer-Hardened				
11	3296-42	3	Nut-Lock, NI				
12	67-0710	3	Ball-Swivel, Stop				
13	93-3841	3	Brake ASM				
14	93-9342	1	Spring-Torsion				
15	94-1986-03	1	Bellcrank				
16	93-3852	1	Rod-Brake, Center				
17	94-1988	2	Spacer-Pivot				
18	3256-24	2	Washer-Flat				
19	323-14	2	Screw-HH				
20	323-10	1	Screw-HH				
21	94-1989-03	1	Bellcrank				
22	93-3853	1	Rod-Brake, RH				
23	93-3850	1	Spring-Engage, Deck				
24	93-3851	1	Rod-Brake, LH				



### Decal and Belt Routing Assembly

Ref	Part No.	Qty.	Description
1	93-3884	1	V Belt-Deck
10	106-6408	1	Decal
21	3256-24	2	Washer-Flat
22	3290-307	4	Pin-Hair
23	80-6990	2	Washer-Hardened

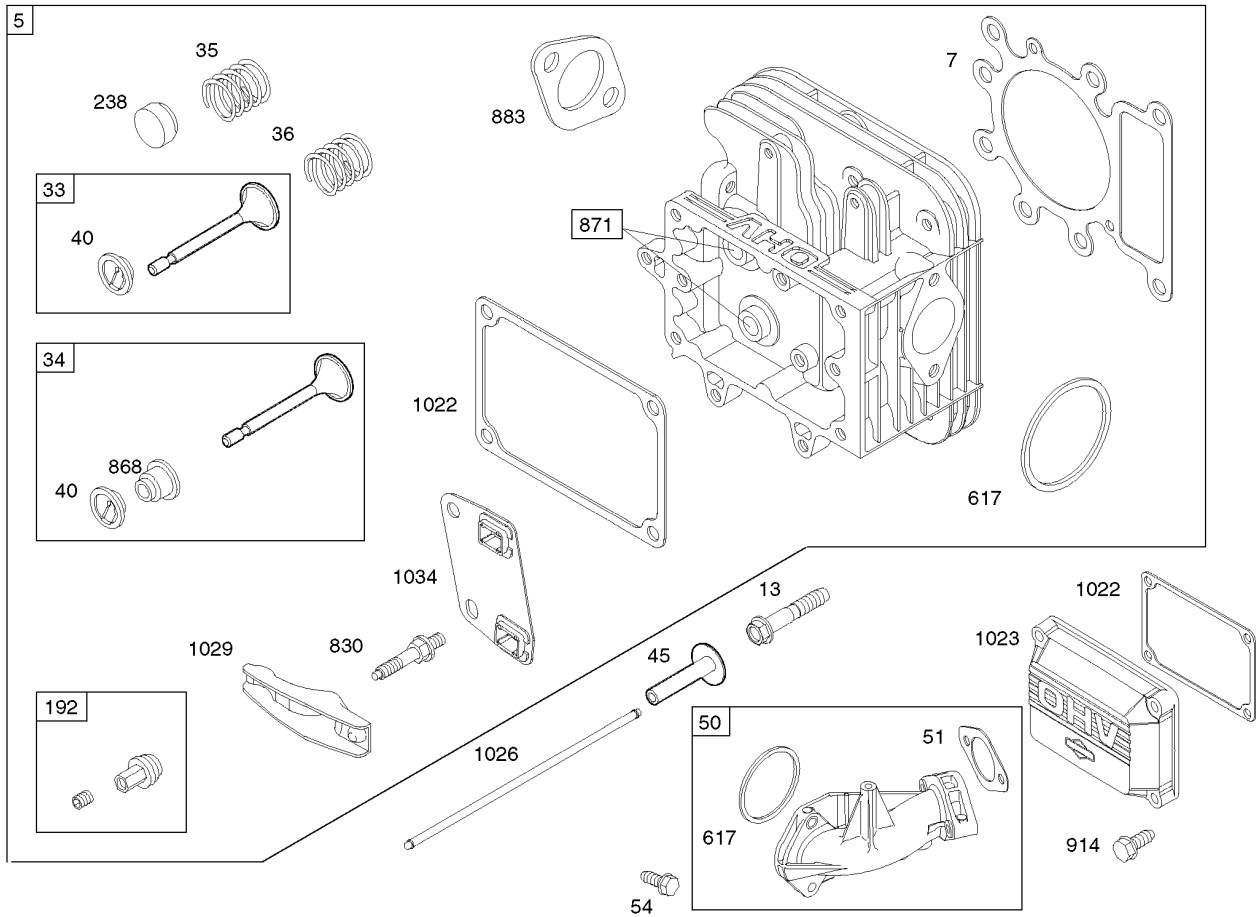
--	--	--	--



Assemblies include all parts shown in frames.

## Cylinder Assembly Briggs and Stratton 31F777-0123-E1

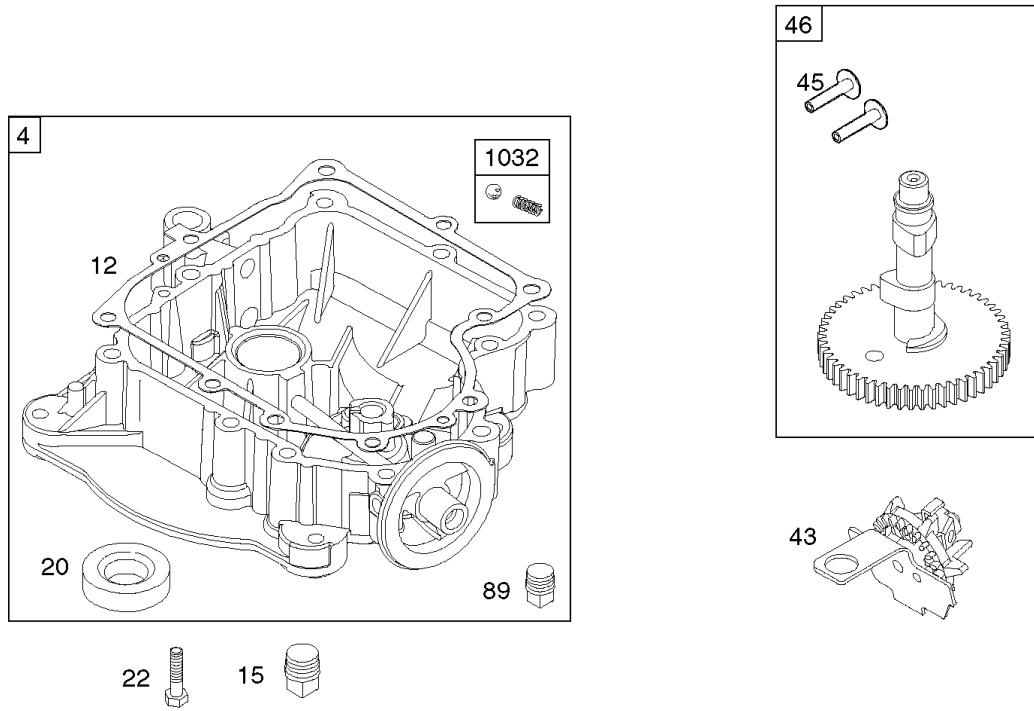
Ref	Part No.	Qty.	Description
1	697174	1	Cylinder Assembly
2	399265	1	Kit-Bushing/seal (Magneto Side)
3	391086	1	Seal-Oil (Magneto Side)
9	697109	1	Gasket-Breather
11	697113	1	Tube-Breather
306	697107	1	Shield-Cylinder
307	691003	1	Screw (Flywheel Guard)
337	491055	1	Sparkplug
383	89838	1	Wrench-Spark Plug
404	691691	1	Washer (Governor Crank)
552	697144	1	Bushing-Governor
584	697112	1	Cover-Breather Passage
614	691620	1	Pin-Cotter
616	692012	1	Crank-Governor
635	691909	1	Boot-Spark Plug
684	697157	1	Screw (Breather Passage Cover)
691	692407	1	Seal-Governor Shaft
718	690959	1	Pin-Locating
1019	697143	1	Kit-Label
1058	275038	1	Owner-S Manual
1263	697124	1	Reed-Breather
1264	697104	1	Screw (Breather Reed)

## Cylinder Head Assembly Briggs and Stratton 31F777-0123-E1

Ref	Part No.	Qty.	Description
5	690188	1	Cylinder Head
③ ④ ⑦	692410	1	Cylinder Head Gasket
13	690360	1	Screw (Cylinder Head Gasket)
33	495856	1	Exhaust Valve
34	495857	1	Intake Valve
35	691279	1	Spring-Valve (Intake)
36	691279	1	Spring-Valve (Intake)
40	691752	1	Retainer-Valve
45	690564	1	Tappet-Valve
50	690193	1	Intake Manifold
③ ④ ⑤ ⑥	692137	1	Gasket-Intake
54	691148	1	Screw (Intake Manifold)
192	691986	1	Adjustor-Rocker Arm
238	691843	1	Cap-Valve
③ ⑤ ⑥	692138	1	Seal-O Ring (Intake Manifold)
830	691095	1	Stud-Rocker Arm
③ ④ ⑧	690968	1	Seal-Valve
871	690969	1	Bushing-Valve Guide
883	692236	1	Gasket-Exhaust
914	690960	1	Screw (Rocker Cover)
③ ⑩	272475	1	Gasket-Rocker Cover
1023	692492	1	Cover-Rocker
1026	692003	1	Rod-Push (Intake)

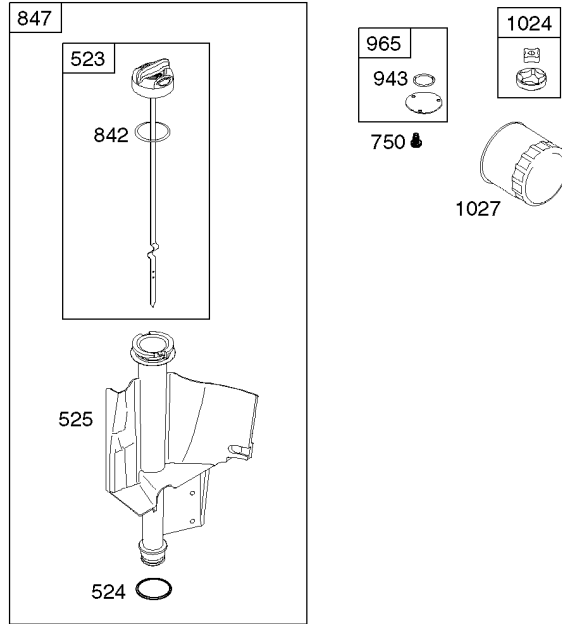
Ref	Part No.	Qty.	Description
	692011	1	Rod-Push (Exhaust)
1029	691751	1	Arm-Rocker
1034	690822	1	Guide-Push Rod



Assemblies include all parts shown in frames.

## Crankcase Assembly Briggs and Stratton 31F777-0123-E1

Ref	Part No.	Qty.	Description
4	697188	1	Sump-Engine
12	697110	1	Gasket-Crankcase
15	690946	1	Plug-Oil Drain
20	690947	1	Seal-Oil (Pto Side)
22	692125	1	Screw
43	691968	1	Governor/oil Slinger
45	690564	1	Tappet-Valve
46	697139	1	Camshaft
89	690283	1	Plug-Oil
1032	491710	1	Ball-Oil Pump

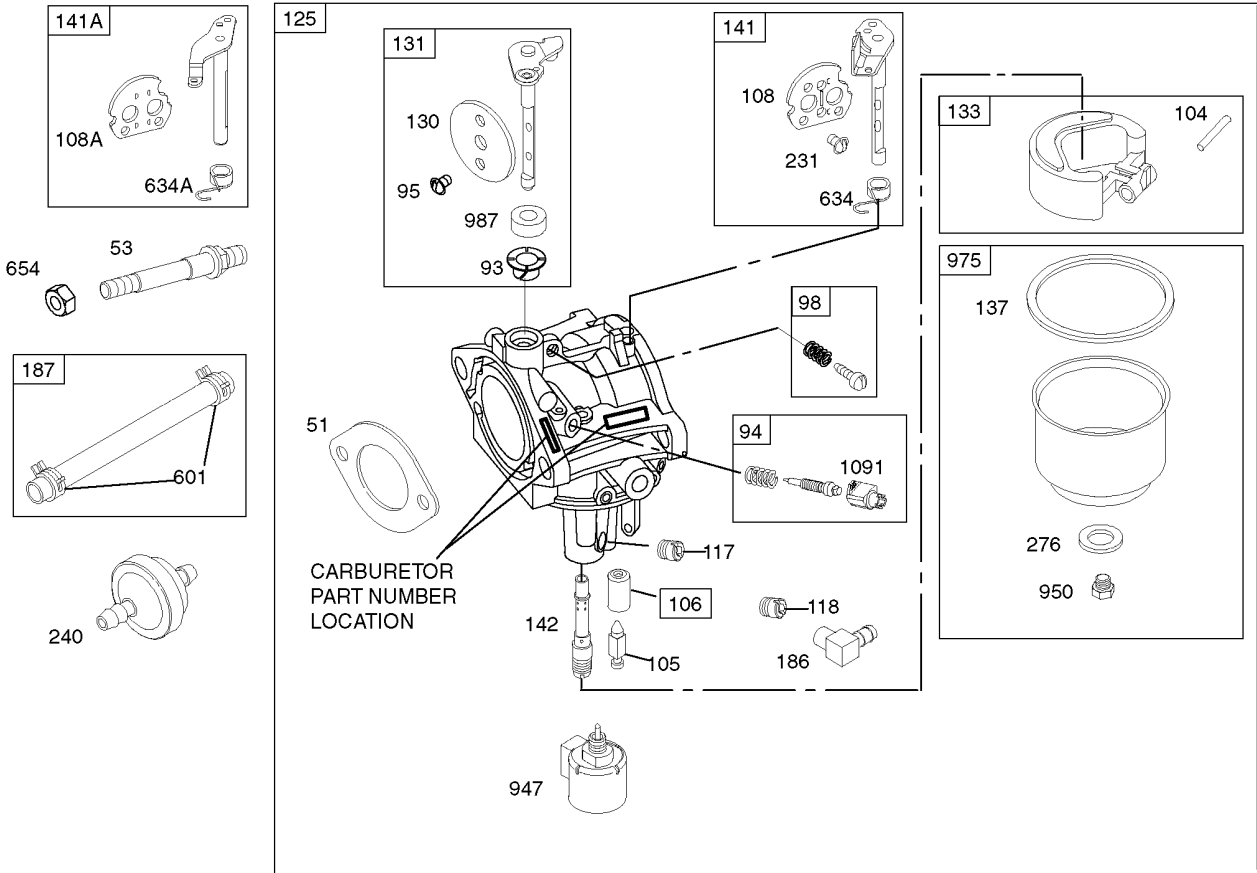


Assemblies include all parts shown in frames.

## Oil Filter, Tube and Pump Assembly Briggs and Stratton 31F777-0123-E1

Ref	Part No.	Qty.	Description
523	697086	1	Dipstick
524	691032	1	Seal-Dipstick Tube
525	697085	1	Tube-Dipstick
750	691033	1	Screw-Hex.
842	691031	1	Seal-O Ring (Dipstick Tube)
847	697087	1	Dipstick/tube Assembly
943	690589	1	O-Ring Seal (Oil Pump Cover)
965	499613	1	Cover-Pump
1024	499054	1	Oil Pump
1027	492932	1	Filter-Oil

--	--	--	--

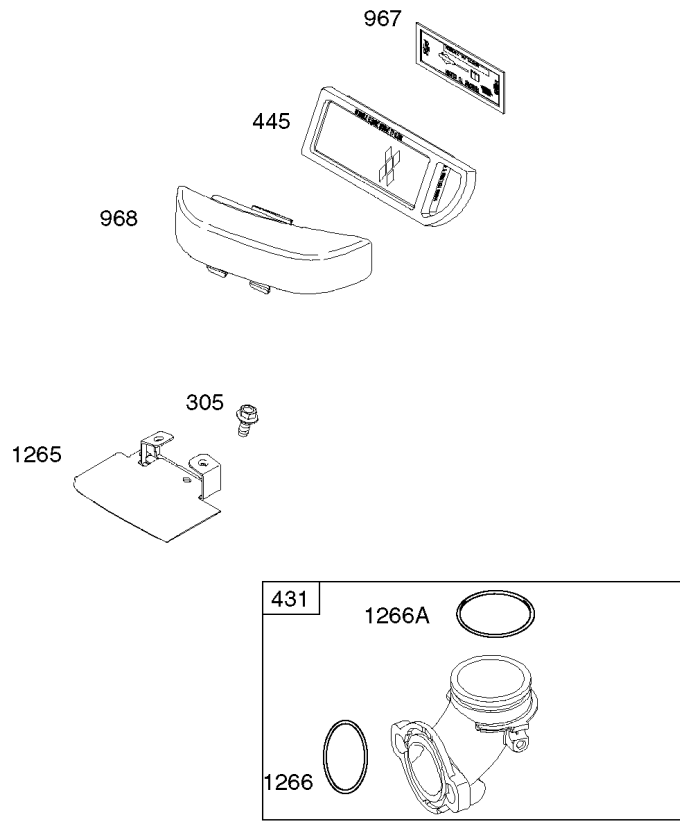


Assemblies include all parts shown in frames.

## Carburetor Assembly Briggs and Stratton 31F777-0123-E1

Ref	Part No.	Qty.	Description
5 4 51	692137	1	Gasket-Intake
5 6			
53	690227	1	Stud (Carburetor)
93	690602	1	Bushing-Throttle Shaft
94	498030	1	Valve-Needle
95	691636	1	Screw (Choke Valve)
98	495800	1	Idle Speed Kit
104	690525	1	Float Hinge Pin
105	231855	1	Valve-Needle
106	690577	1	Inlet Seat
108	690464	1	Valve-Choke (Manual Choke)
108A	692344	1	Choke Valve (Manual Choke)
117	694352	1	Jet-Main (Standard)
118	697228	1	Jet-Main (High Altitude)
125	697190	1	Carburetor
130	691750	1	Throttle Valve
131	494379	1	Shaft-Throttle
133	494381	1	Float-Carburetor
5 6 137	281165	1	Gasket-Bowl, Float
141	495097	1	Shaft-Choke
141A	495931	1	Shaft-Choke
142	697140	1	Nozzle-Carburetor
186	692317	1	Connector-Hose
187	691050	1	Fuel Line

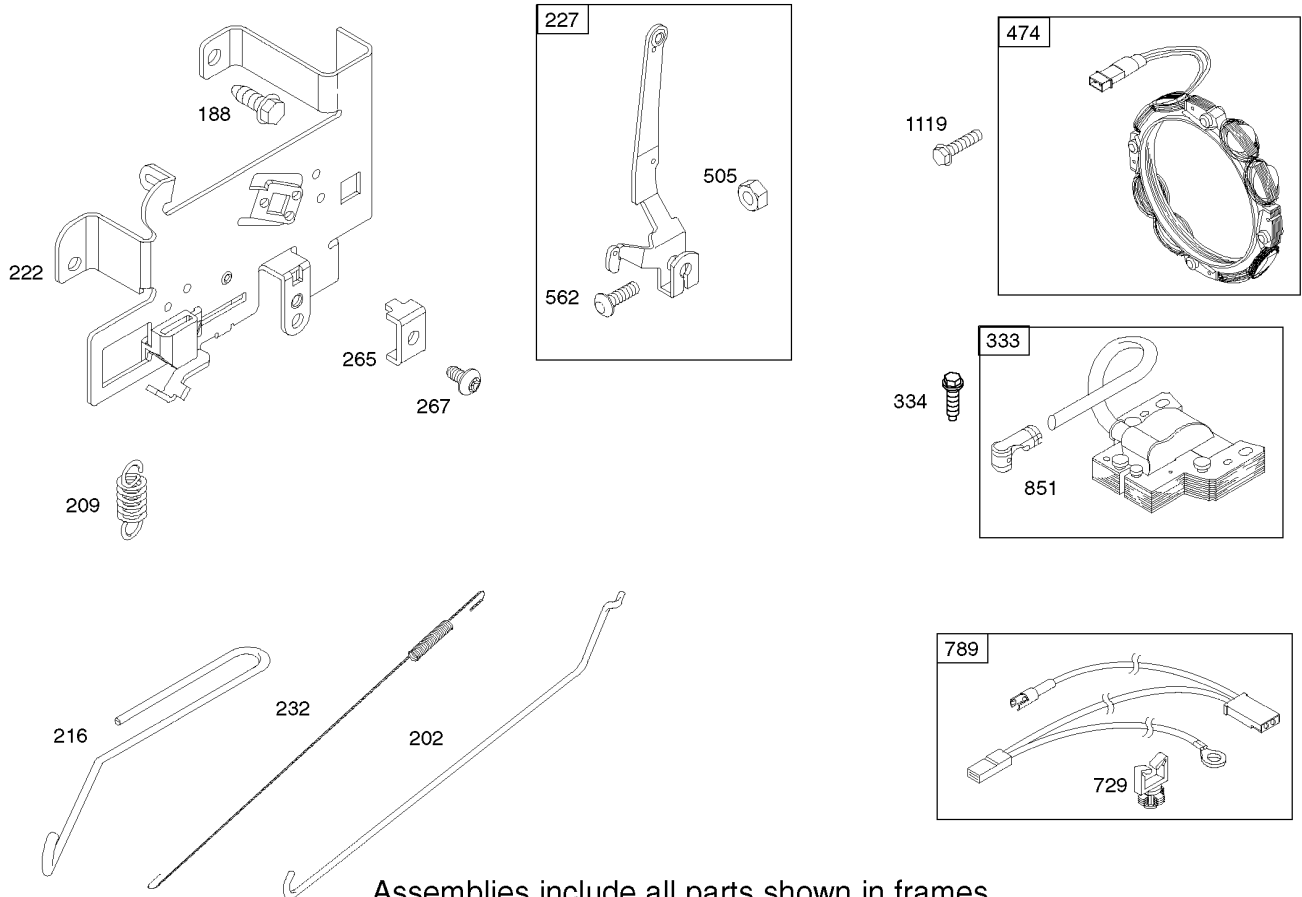
Ref	Part No.	Qty.	Description
231	691636	1	Screw (Choke Valve)
240	394358	1	Filter-Fuel
5 6 276	692255	1	Washer-Sealing
601	95162	1	Clamp-Hose
634	690801	1	Spring/seal Assembly
634A	690802	1	Spring/seal Assembly
654	690958	1	Nut (Carburetor)
947	694393	1	Solenoid-Fuel
950	691657	1	Float Bowl Screw
975	495933	1	Bowl-Float
987	691326	1	Seal-Throttle Shaft
1091	691333	1	Cap-Limiter (Control Bracket)



Assemblies include all parts shown in frames.

## Air Cleaner Assembly Briggs and Stratton 31F777-0123-E1

Ref	Part No.	Qty.	Description				
305	690960	1	Screw (Rocker Cover)				
431	697122	1	Elbow-Intake				
445	697014	1	Filter-Air Cleaner Cartridge				
967	697015	1	Filter-Pre Cleaner				
968	697084	1	Cover-Air Cleaner				
1265	697125	1	Support-Blower Housing				
①1266	691917	1	Seal-O Ring (Intake-elbow)				
①1266A	697123	1	Seal-O Ring (Intake Elbow)				

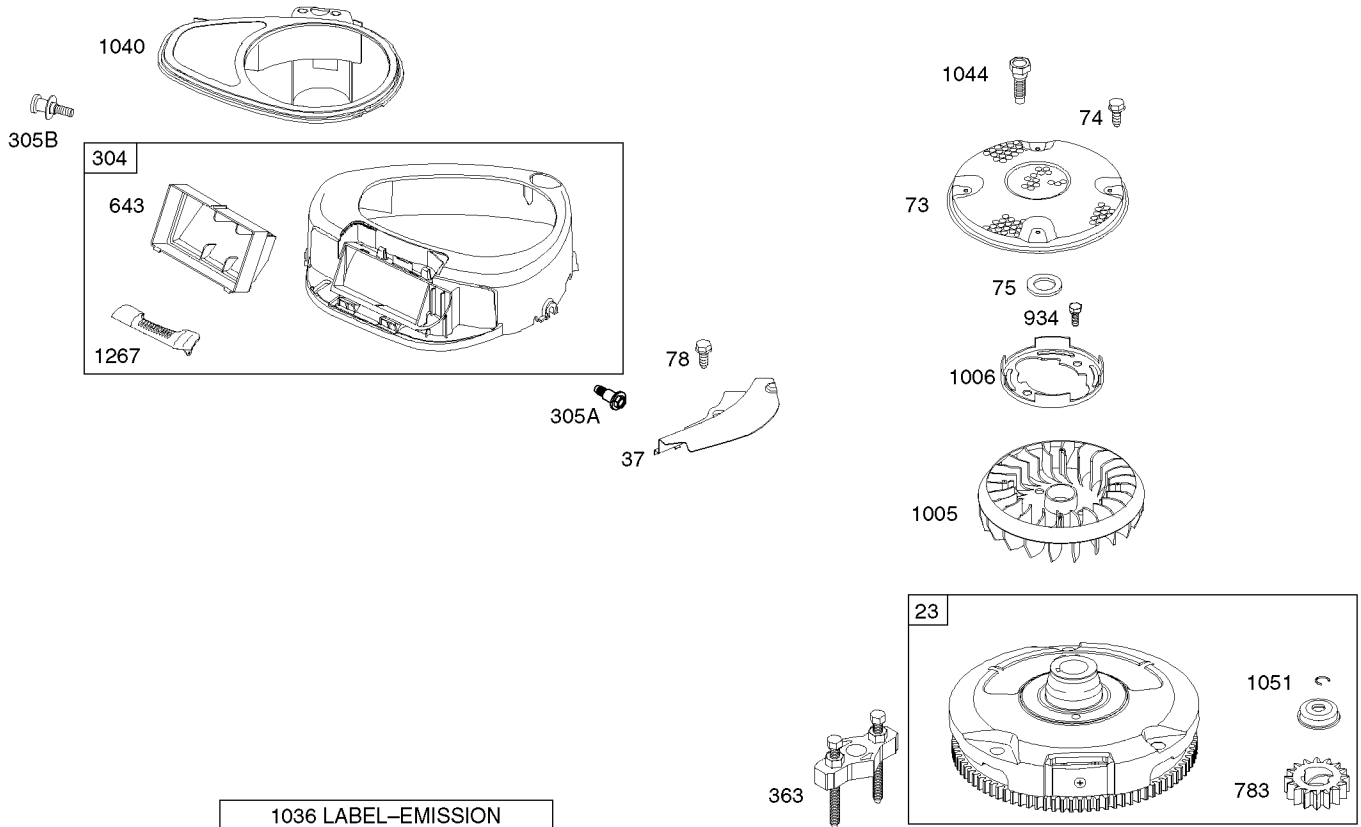


Assemblies include all parts shown in frames.

## Governor Assembly Briggs and Stratton 31F777-0123-E1

Ref	Part No.	Qty.	Description
188	691693	1	Screw (Control Bracket)
202	691841	1	Link-Mechanical Governor
209	692208	1	Spring-Governor
216	691840	1	Link-Choke
222	694042	1	Bracket-Control
227	691374	1	Lever-Governor Control
232	691842	1	Spring-Governor Link
265	691024	1	Clamp-Casing
267	695134	1	Screw (Casing Clamp)
333	492341	1	Armature-Magneto
334	691061	1	Screw (Magneto Armature)
474	696459	1	Alternator
505	691251	1	Nut (Governor Control Lever)
562	691119	1	Bolt (Governor Control Lever)
729	691335	1	Clip-Wire
789	692037	1	Harness-Wiring
851	493880	1	Terminal-Spark Plug
1119	691183	1	Screw (Alternator)

--	--	--	--

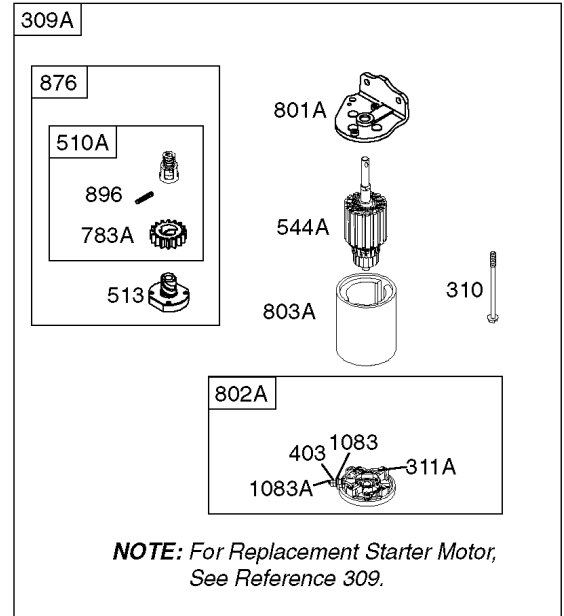
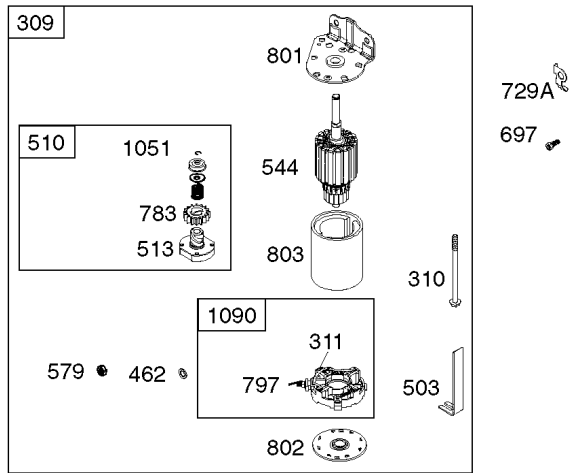


Assemblies include all parts shown in frames.

## Blower Housing Assembly Briggs and Stratton 31F777-0123-E1

Ref	Part No.	Qty.	Description
23	693557	1	Flywheel
37	697108	1	Guard-Flywheel
73	697133	1	Screen-Rotating
74	690661	1	Screw(Muffler Guard)
75	690582	1	Washer (Flywheel)
78	690661	1	Screw(Muffler Guard)
304	697137	1	Housing-Blower
305A	697102	1	Screw (Blower Housing)
305B	697103	1	Screw (Blower Housing)
363	19203	1	Puller-Flywheel
643	697155	1	Retainer-Air Filter
783	693713	1	Gear-Pinion
934	691058	1	Screw (Fan Retainer)
1005	697111	1	Fan-Flywheel
1006	690452	1	Fan Retainer
1036	695700	1	Label-Emissions
1040	697142	1	Plate-Trim
1044	691658	1	Screw (Flywheel)
1051	691265	1	Ring-Retaining
1267	697135	1	Latch-Blower Housing

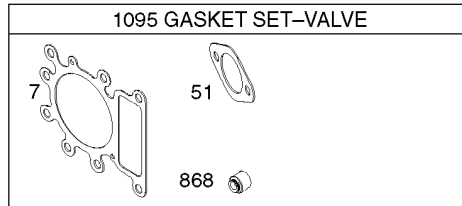
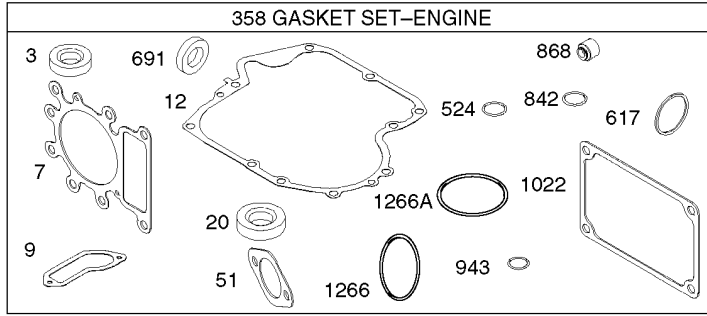
--	--	--	--



## Starter Assembly Briggs and Stratton 31F777-0123-E1

Ref	Part No.	Qty.	Description
309	693551	1	Motor-Starter
309A		1	Motor-Starter (For Replacement Starter Motor, See Ref. 309)
310	690323	1	Bolt (Starter Motor)
311	497608	1	Brush Set
311A	395538	1	Brush Assy.
403	690288	1	Washer (End Cap)
462	691261	1	Washer (Brush Retainer)
503	691532	1	Strap-Starter
510	693699	1	Drive-Starter
510A	495878	1	Drive-Starter
513	692024	1	Drive Clutch
544	692034	1	Armature-Starter
544A	390837	1	Armature Assy.
579	691029	1	Nut (Brush Retainer)
697	690372	1	Screw (Drive Cap)
729A	691224	1	Clip-Wire
783	693713	1	Gear-Pinion
783A	693059	1	Gear-Pinion
797	693167	1	Nut (Brush Retainer)
801	691283	1	Cap-Drive
801A	691429	1	Cap-Drive
802	691286	1	Cap-End
802A	395537	1	Cap-End

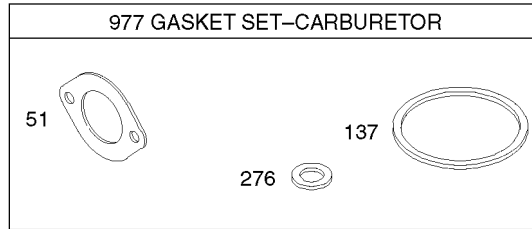
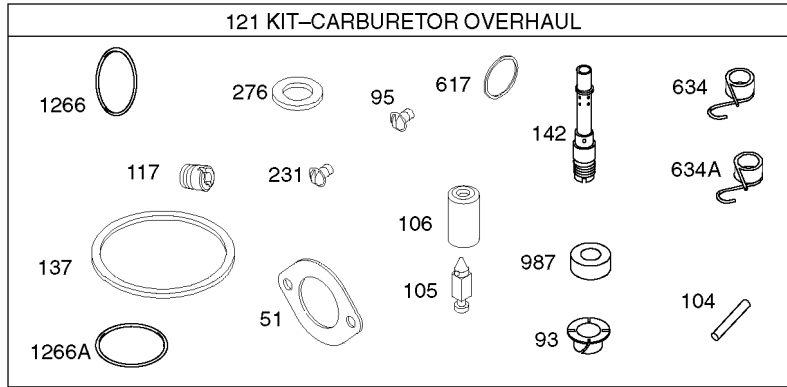
Ref	Part No.	Qty.	Description
803	693757	1	Housing-Starter
803A	398159	1	Housing Assy.
876	495877	1	Gear Kit
896	691641	1	Pin-Drive Retainer
1051	691265	1	Ring-Retaining
1090	691293	1	Brush Retainer
1083	690958	1	Nut (Carburetor)
1083A	691626	1	Nut (End Cap)



Assemblies include all parts shown in frames.

## Gasket Assembly Briggs and Stratton 31F777-0123-E1

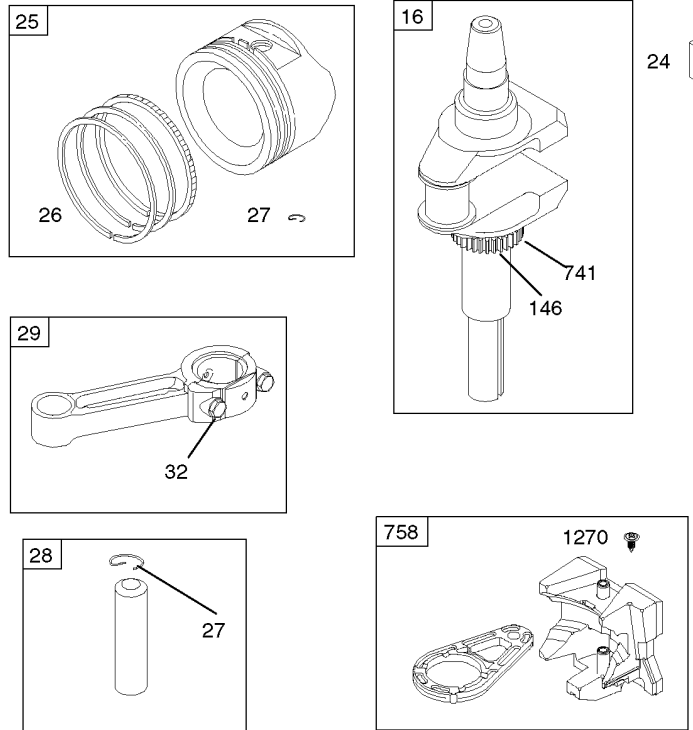
Ref	Part No.	Qty.	Description				
3	391086	1	Seal-Oil (Magneto Side)				
47	692410	1	Cylinder Head Gasket				
9	697109	1	Gasket-Breather				
12	697110	0	Gasket-Crankcase				
20	690947	1	Seal-Oil (Pto Side)				
451	692137	1	Gasket-Intake				
358	697191	1	Gasket Set-Engine				
5617	692138	1	Seal-O Ring (Intake Manifold)				
524	691032	1	Seal-Dipstick Tube				
691	692407	1	Seal-Governor Shaft				
842	691031	1	Seal-O Ring (Dipstick Tube)				
5868	690968	1	Seal-Valve				
943	690589	1	O-Ring Seal (Oil Pump Cover)				
1022	272475	1	Gasket-Rocker Cover				
1095	691581	1	Gasket Set-Valve				
1266	691917	1	Seal-O Ring (Intake-elbow)				
1266A	697123	1	Seal-O Ring (Intake Elbow)				



Assemblies include all parts shown in frames.

## Carburetor Overhaul Kit Assembly Briggs and Stratton 31F777-0123-E1

Ref	Part No.	Qty.	Description				
④ 51	692137	1	Gasket-Intake				
⑤ ⑥							
⑤ 93	690602	1	Bushing-Throttle Shaft				
⑤ 95	691636	1	Screw (Choke Valve)				
⑤ 104	690525	1	Float Hinge Pin				
⑤ 105	231855	1	Valve-Needle				
⑤ 106	690577	1	Inlet Seat				
⑤ 117	694352	1	Jet-Main (Standard)				
121	697241	1	Kit-Carburetor Overhaul				
⑤ ⑥ 137	281165	1	Gasket-Bowl, Float				
⑤ 142	697140	1	Nozzle-Carburetor				
⑤ 231	691636	1	Screw (Choke Valve)				
⑤ ⑥ 276	692255	1	Washer-Sealing				
⑤ ⑥ 617	692138	1	Seal-O Ring (Intake Manifold)				
⑤ 634	690801	1	Spring/seal Assembly				
⑤ 634A	690802	1	Spring/seal Assembly				
977	690192	1	Carburetor Gasket Set				
⑤ 987	691326	1	Seal-Throttle Shaft				
⑤ ⑤ 1266	691917	1	Seal-O Ring (Intake-elbow)				
⑤ ⑤ 1266A	697123	1	Seal-O Ring (Intake Elbow)				



Assemblies include all parts shown in frames.

## Crankshaft Assembly Briggs and Stratton 31F777-0123-E1

Ref	Part No.	Qty.	Description
16	697127	1	Crankshaft
24	222698	1	Key-Flywheel
25	697159	1	Piston Assembly (Standard)
	697160	1	Piston Assembly (.010" Oversize)
	697162	1	Piston Assembly (.020" Oversize)
	697163	1	Piston Assembly (.030" Oversize)
26	697164	1	Ring Set (Standard)
	697165	1	Ring Set (.010" Oversize)
	697171	1	Ring Set (.020" Oversize)
	697172	1	Ring Set (.030" Oversize)
27	697199	1	Lock-Piston Pin
28	697099	1	Pin-Piston (Standard)
29	697126	1	Rod-Connecting (Standard)
	697264	1	Rod-Connecting (.020" Undersize)
32	692852	1	Screw (Connecting Rod)
146	690979	1	Timing Key
741	697128	1	Gear-Timing
758	697134	1	Counterweight
1270	697156	1	Plug-Avs Counterweight

## NOTES

## NOTES

