



17-44HXL Indy Special Edition

Wheel Horse® Lawn Tractor

Model No. 71233—230000001 and Up

Parts Catalog

Ordering Replacement Parts

To order replacement parts, please supply: the part number, the quantity, and the description of each part desired.

Understanding Reference Numbers

Each identified part in an illustration has a reference number. The reference number for a part also appears in the parts list, along with other information about the part.

This catalog uses two special reference number formats, one to indicate parts in a service assembly and another to indicate the quantity of a given part in an illustration.

Service Assembly Reference Numbers

Parts in service assemblies have reference numbers in the form **a:b**. The **a** represents the reference number of the entire service assembly and the **b** represents a sequential number unique to each part within the service assembly.

For example, a wheel assembly might be identified by reference number **6**, the tire by **6:1**, the valve by **6:2**, and the wheel by **6:3**. When you order the assembly identified by reference number **6**, you receive all parts identified by reference numbers **6:1**, **6:2**, and **6:3**. However, you may also order any part individually.

Reference numbers of this type appear in illustrations and in part lists.

Reference Numbers Indicating Quantity

In an illustration, if a reference number indicates more than one part, the reference number has the form **nX y**. The **n** represents the quantity of the part, the **X** is the multiplication symbol, and the **y** represents the reference number.

For example, in an illustration, the reference number **2X 37** means that two of the parts identified by reference number **37** are indicated.

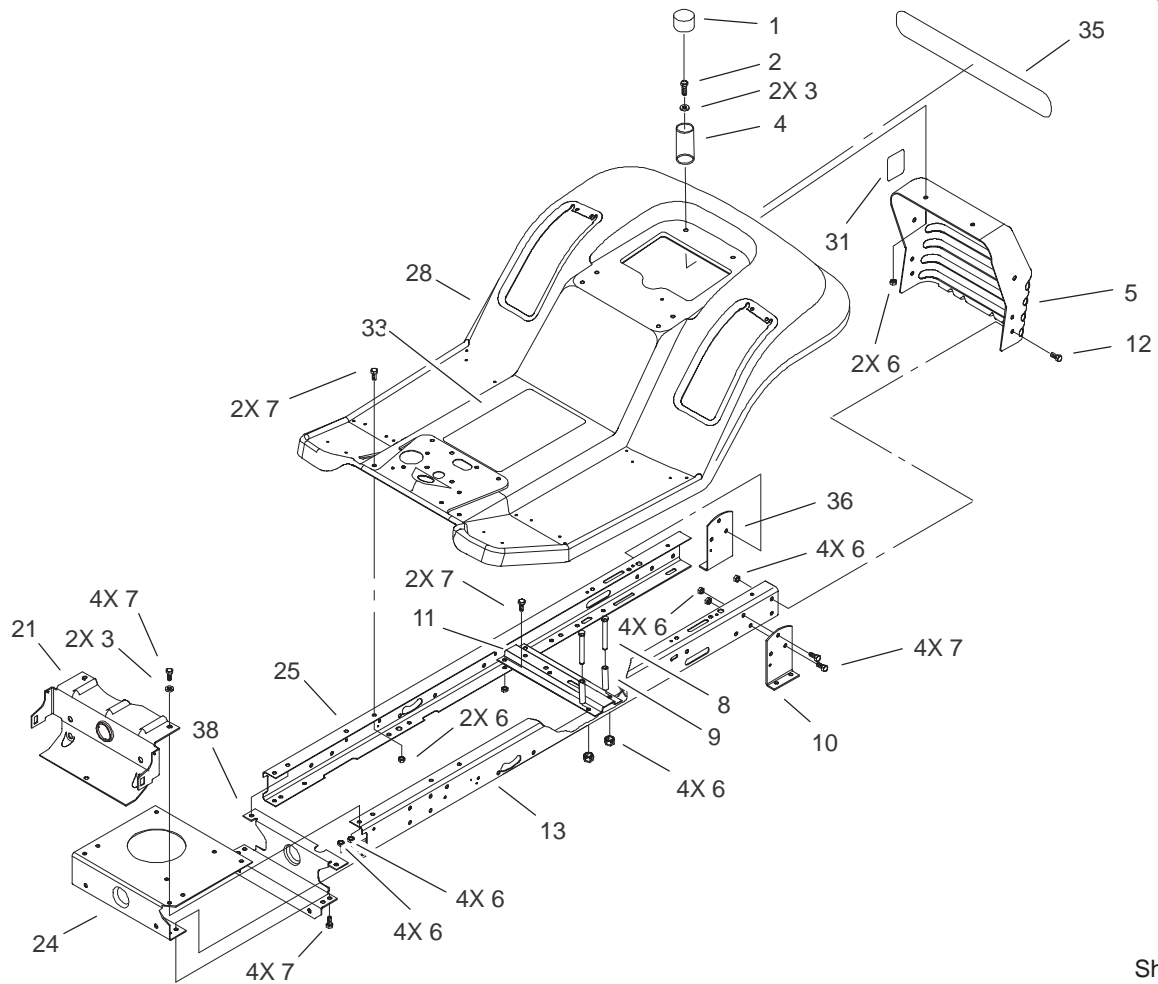
Contents

Description	Page	Description	Page
Frame and Body Assembly	3	Crankshaft Assembly	
Hood and Tower Assembly	4	Briggs and Stratton Model 31F777-0123-E1	20
Rear Body and Seat Assembly	5	Crankcase Assembly	
Steering Component Assembly	6	Briggs and Stratton Model 31F777-0123-E1	21
Steering Assembly	7	Oil Filter, Tube and Pump Assembly	
Engine System Assembly	8	Briggs and Stratton Model 31F777-0123-E1	22
Traction Brake Assembly	9	Carburetor Assembly	
Wheel and Tire Assembly	10	Briggs and Stratton Model 31F777-0123-E1	23
Transaxle Component Assembly	11	Air Cleaner Assembly	
Transaxle Installation Assembly	12	Briggs and Stratton Model 31F777-0123-E1	24
Height-of-Cut Assembly	13	Governor Assembly	
Electrical Component Assembly	14	Briggs and Stratton Model 31F777-0123-E1	25
Transaxle Side Housing and Bearing Assembly	15	Blower Housing Assembly	
Transaxle Gear Assembly	16	Briggs and Stratton Model 31F777-0123-E1	26
Transaxle Main Housing and Bearing Assembly	17	Starter Assembly	
Cylinder Assembly		Briggs and Stratton Model 31F777-0123-E1	27
Briggs and Stratton Model 31F777-0123-E1	18	Gasket Assembly	
Cylinder Head Assembly		Briggs and Stratton Model 31F777-0123-E1	28
Briggs and Stratton Model 31F777-0123-E1	19	Carburetor Overhaul Kit Assembly	
		Briggs and Stratton Model 31F777-0123-E1	29

Part Description Abbreviations

Part descriptions in this catalog may include the following abbreviations.

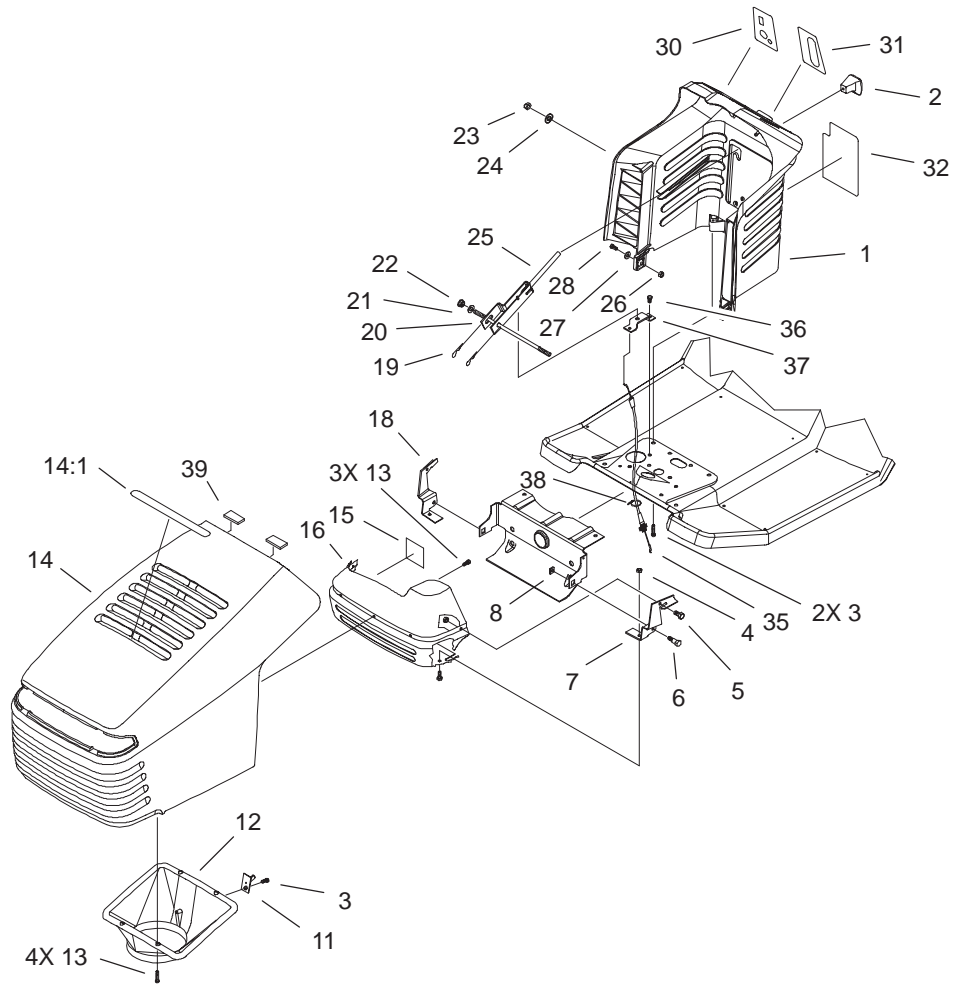
Abbreviation	Meaning	Abbreviation	Meaning
AR	as required	HYD	hydraulic
ASM	assembly	INC	incorporated
CARR	carriage	LH	left hand
DEG	degrees	NI	nylon insert
FH	flat head	PPH	Phillips pan head
GA	gauge	PTH	Phillips truss head
HF	hex flange	PTO	power take off
HH	hex head	RH	right hand
HHF	hex head flange	SFH	slotted fillister head
HLH	hex lag head	SHH	slotted hex head
HJ	hex jam	SQH	square head
HOC	height-of-cut	SHWH	slotted hex washer head
HS	hex socket	SPH	slotted pan head
HSBH	hex socket button head	SRH	slotted round head
HSFH	hex socket flat head	STD	standard
HSH	hex socket head	TAP	self tapping
HWH	hex washer head	TTH	Torx truss head
HWHTF	hex washer head thread forming	WH	wing head



Sheet No.:2

Frame and Body Assembly

Ref. No.	Part No.	Qty.	Description	Ref. No.	Part No.	Qty.	Description
1	701178	2	Cap-Protector				
2	322-5	2	Screw-HH				
3	3256-23	4	Washer-Flat				
4	88-6220	2	Spring-Compression				
5	99-2957-03	1	Panel-Rear, Hitch				
6	3296-29	24	Nut-Lock, NI				
7	322-3	16	Screw-HH				
8	322-13	2	Screw-HH				
9	88-5470	2	Spacer-Axle, Front				
10	93-3857-03	1	Bracket-Mounting, LH Transaxle				
11	88-4620-03	1	Bracket-Idler, Pivot				
12	94-7817	4	Bolt-Shoulder				
13	99-2958-03	1	Rail-Frame, LH				
21	98-3576-03	1	Support-Axle, Front				
24	88-4630-03	1	Plate-Engine, Mounting				
25	99-2959-03	1	Rail-Frame, RH				
28	99-2971	1	Rear Body ASM				
31	100-7449	1	Decal-Dump, Valve				
33	99-6095	1	Decal-Instruction, Hydro				
35	105-2498	1	Decal-Rear				
36	93-3856-03	1	Bracket-Mounting, RH Transaxle				
38	93-3831-03	1	Support-Rear				

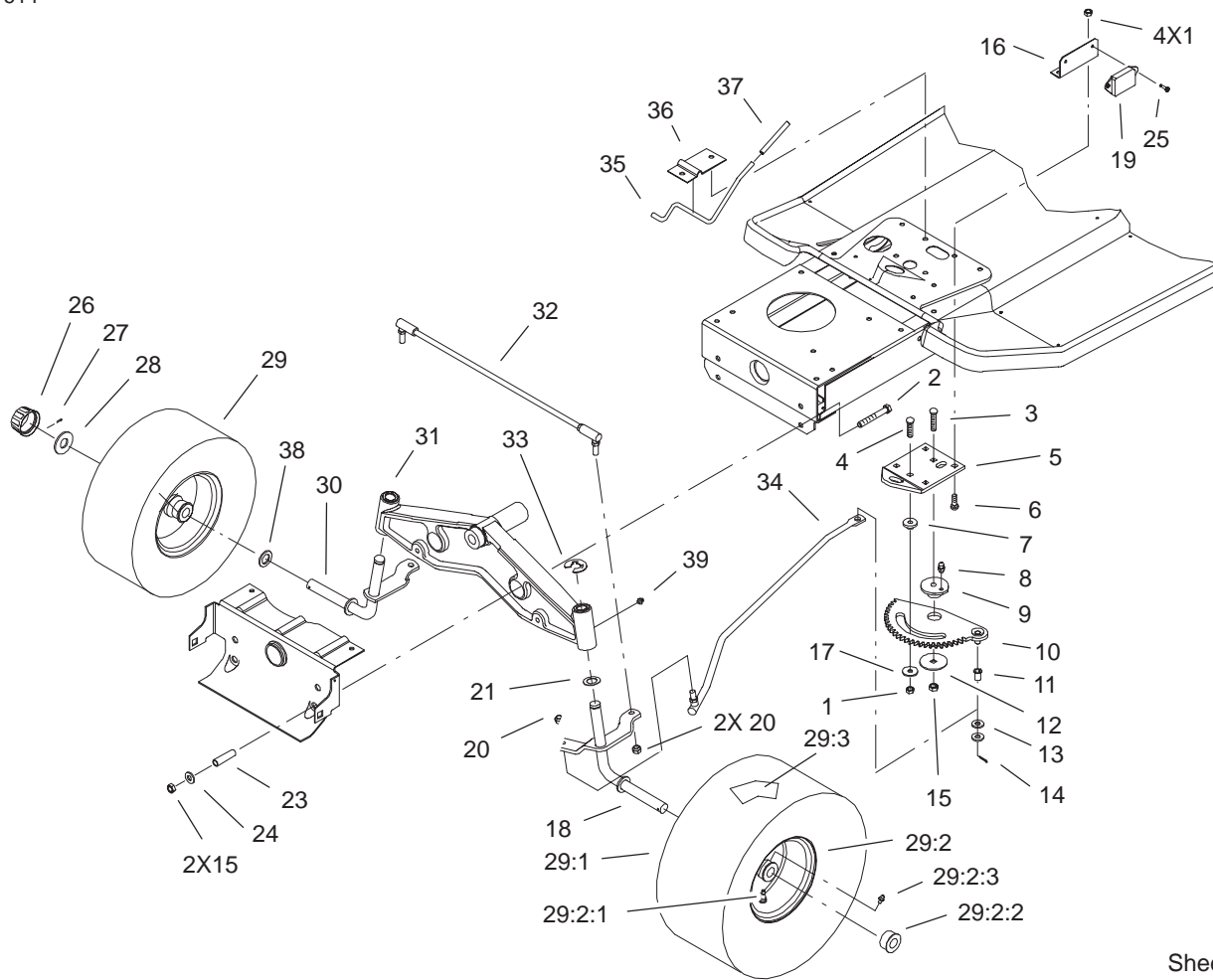


Sheet No.:3

Hood and Tower Assembly

Ref. No.	Part No.	Qty.	Description
1	99-1947	1	Tower-Steering
2	94-5565	1	Knob-Shift
3	46-8091	3	Screw-HWH
4	3296-42	4	Nut-Lock, NI
5	321-2	4	Screw-HH
6	28-0540	2	Bolt-Shoulder
7	88-6050-03	1	Bracket-Hinge, LH
8	3290-496	2	Nut-Retainer
11	94-1984	1	Latch-Pin
12	93-3891	1	Duct-Air , Hood
13	46-8090	7	Screw-Plastite
14	92-8650	1	Hood-V-Chassis
14:1	92-5748	1	Decal-Duct, Air
15	92-5782	3	Tape-Foil
16	93-3864-03	1	Shield-Heat
18	88-6040-03	1	Bracket-Hinge, RH
19	3290-307	2	Pin-Hair
20	100-7401	1	Rod-Tower, Pivot
21	3256-24	2	Washer-Flat
22	3218-3	2	Nut-Jam
23	100-7402	2	Nut-Cap
24	100-7403	2	Washer-Flat
25	88-5190-03	1	Lever-Deck, Engage
26	3296-29	2	Nut-Lock, NI
27	3256-23	2	Washer-Flat
28	322-3	2	Screw-HH

Ref. No.	Part No.	Qty.	Description
30	99-8139	1	Decal-Ignition/Lights
31	92-2461	1	Decal-Throttle
32	92-2462	1	Decal-Deck, Engage
35	99-6838	1	Deck Cable ASM
36	9266714	2	Screw-HWH
37	93-3849	1	Bracket-Upper , Cable
38	614249	1	Strap-Tie
39	94-1980	2	Foam-Hood



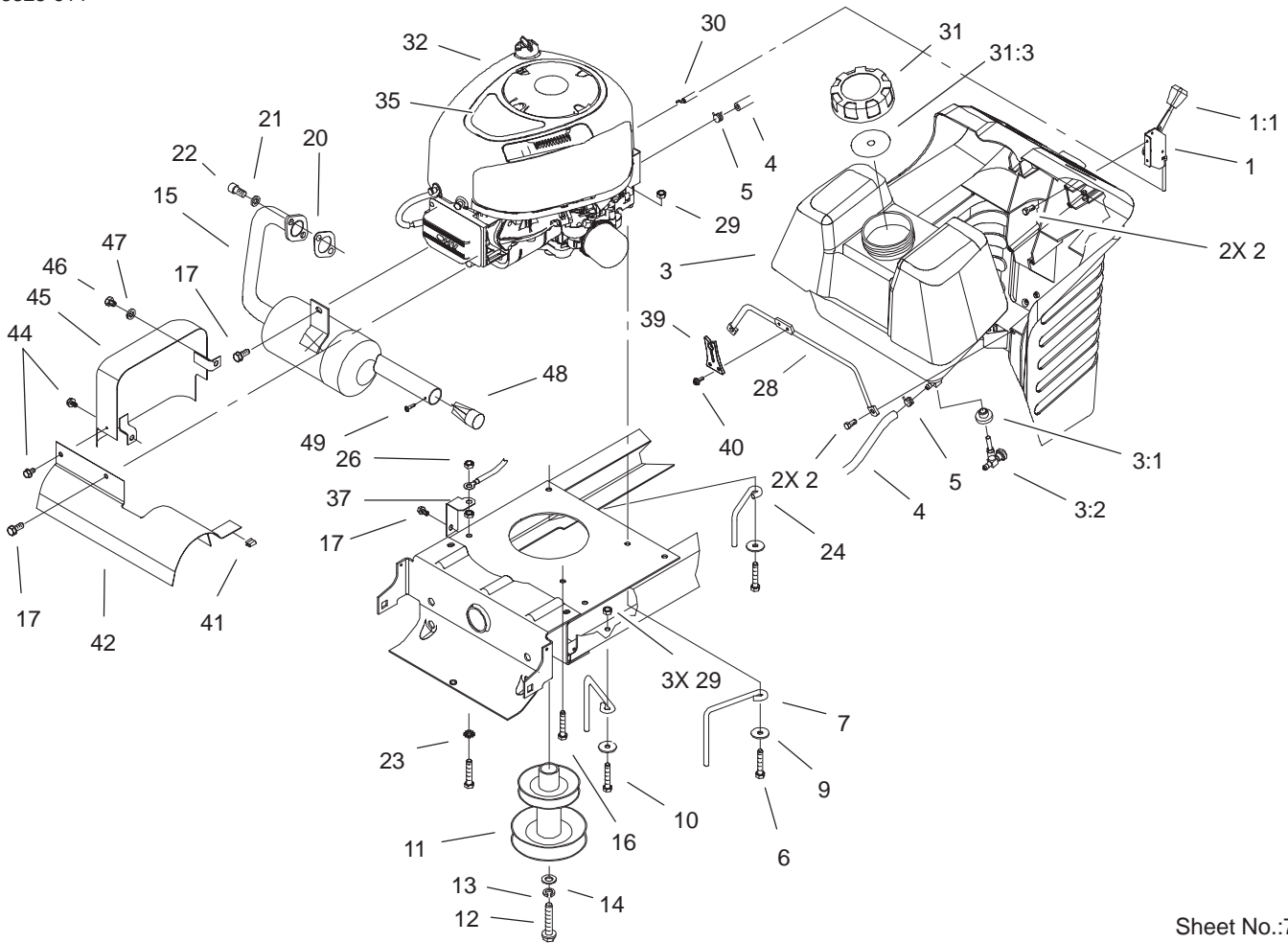
Sheet No.:5

Steering Component Assembly

Ref. No.	Part No.	Qty.	Description
1	3296-29	5	Nut-Lock, NI
2	323-13	2	Screw-HH
3	3231-4	1	Screw-CARR
4	3230-3	1	Screw-CARR
5	88-5130-03	1	Bracket-Rack, Steering
6	3230-2	4	Bolt-CARR
7	88-5010	1	Spacer-Rack, Steering
8	302-26	1	Fitting-Grease
9	88-4670	1	Bushing-Eccentric
10	88-5200	1	Rack-Steering
11	52-2891	1	Bushing-Link, Steering
12	111419	1	Washer-Bearing
13	3256-25	2	Washer-Flat
14	3272-10	1	Pin-Cotter
15	3296-39	3	Nut-Lock, NI
16	99-2956-03	1	Bracket-Module
17	5-4460	1	Washer-Pivot
18	93-3833-03	1	Spindle-LH
19	99-3700	1	Module
20	3296-5	3	Nut-Lock, NI
21	3-6498	2	Washer-Thrust
23	88-5470	2	Spacer-Axle, Front
24	3256-24	2	Washer-Flat

Ref. No.	Part No.	Qty.	Description
25	9266714	2	Screw-HWH
26	61-9780	2	Cap-Hub
27	3272-12	2	Pin-Cotter
28	28-2480	2	Washer
☆29		2	Front Wheel And Tire ASM
29:1	99-2988	1	Tire
29:2	88-4370	1	Rim ASM
29:2:1	232-27	1	Stem-V valve
29:2:2	88-4400	2	Bearing-Wheel
29:2:3	302-5	1	Fitting-Grease
29:3	232-39	1	Tube
30	92-7889-03	1	Spindle-RH
31	99-2955-03	1	Axle-Front
32	93-3873	1	Tie Rod ASM
33	32151-48	2	E-Ring
34	93-3840	1	Link-Drag
35	88-5510	1	Rod-Brake, Parking
36	88-5520-03	1	Bracket-Brake, Parking
37	88-0890	1	Grip-Brake, Parking
38	3-6498	4	Washer-Thrust
39	302-5	2	Fitting-Grease

☆ Not serviced separately



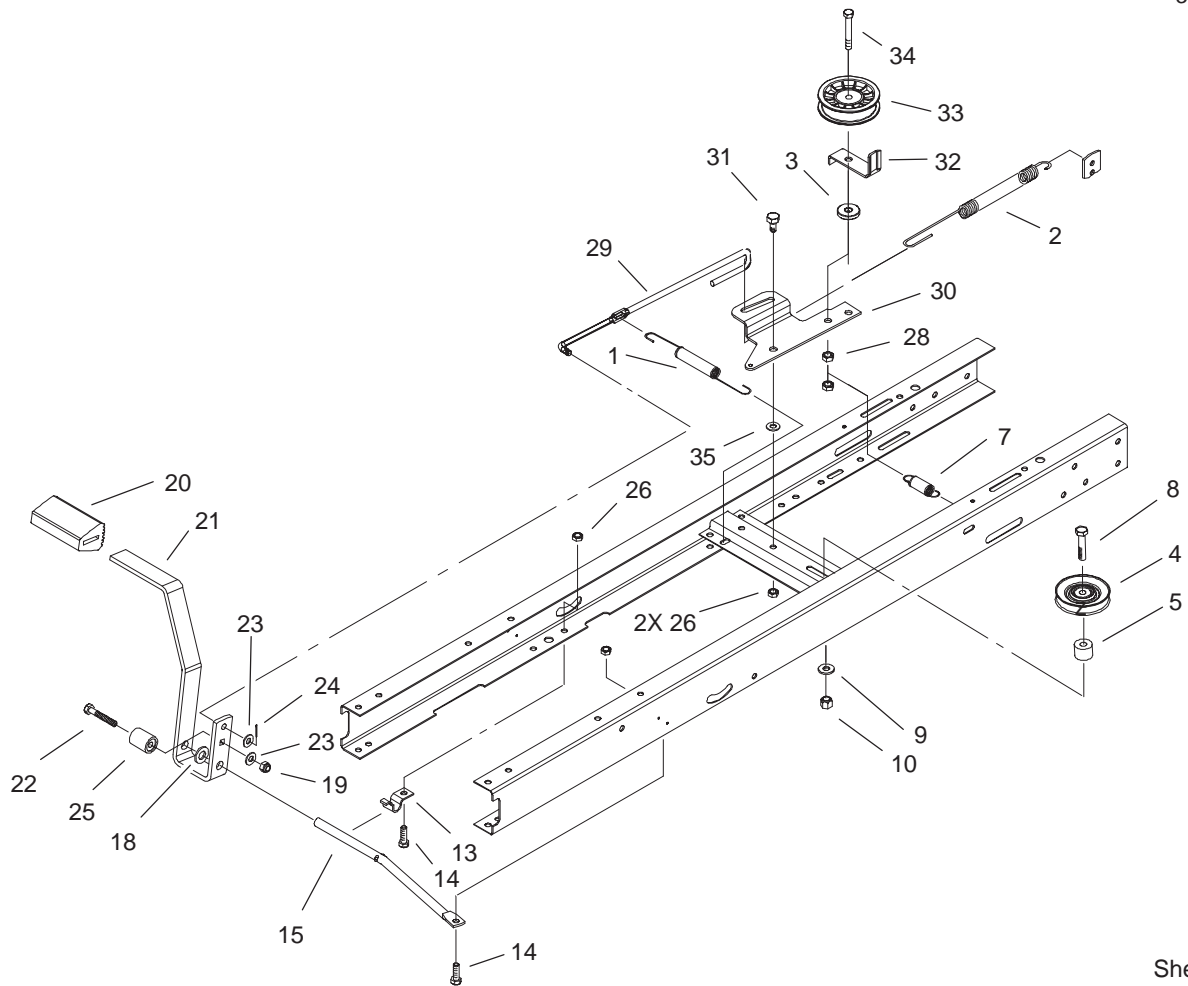
Sheet No.:7

Engine System Assembly

Ref. No.	Part No.	Qty.	Description
1	88-4340	1	Control-Throttle
1:1	66-0120	1	Knob
2	27-0220	4	Screw-Special
3	88-3880	1	Gas Tank ASM
3:1	104047	1	Bushing
3:2	104048	1	Valve-Fuel
4	47-2963	1	Hose-Fuel
5	2412-98	2	Clamp
6	322-9	3	Screw-HH
7	93-3854	3	Guide-Belt, Engine
9	5-4460	4	Washer-Pivot
10	322-5	2	Screw-HH
11	100-7414	1	Pulley-Engine
12	62-3760	1	Screw-HH
13	3253-22	1	Washer-Lock
14	3256-25	1	Washer-Flat
15	99-6845	1	Muffler
16	9267154	1	Screw
17	9266714	3	Screw-HWH
20	88-4410	1	Gasket-Muf fler
21	3253-4	2	Washer-Lock
22	3274-10	2	Screw-HSH
23	3255-8	1	Washer-Lock
24	93-3855	1	Guide-Belt, RH
26	32149-1	2	Nut
28	94-1952	1	Rod-Tank, Gas

Ref. No.	Part No.	Qty.	Description
29	3296-29	4	Nut-Lock, NI
30	88-4350	1	Cable-Throttle
31	88-3980	1	Gas Cap ASM
31:3	88-4010	1	Gasket-Cap, Gas
☆32		1	Engine-17hp, Briggs And Stratton (31f777-0123-E1)
35	106-6410	1	Decal-Engine
37	93-3809	1	Bracket-Ground
39	94-1951	1	Latch-Hood
40	32144-1 12	2	Screw-HWHTF
41	93-3882	1	Clip-T innerman
42	93-3880-03	1	Shield-Muf fler
44	32104-76	2	Screw
45	93-8450-03	1	Exhaust Shield ASM
46	322-3	1	Screw-HH
47	3253-4	1	Washer-Lock

☆ Not serviced separately

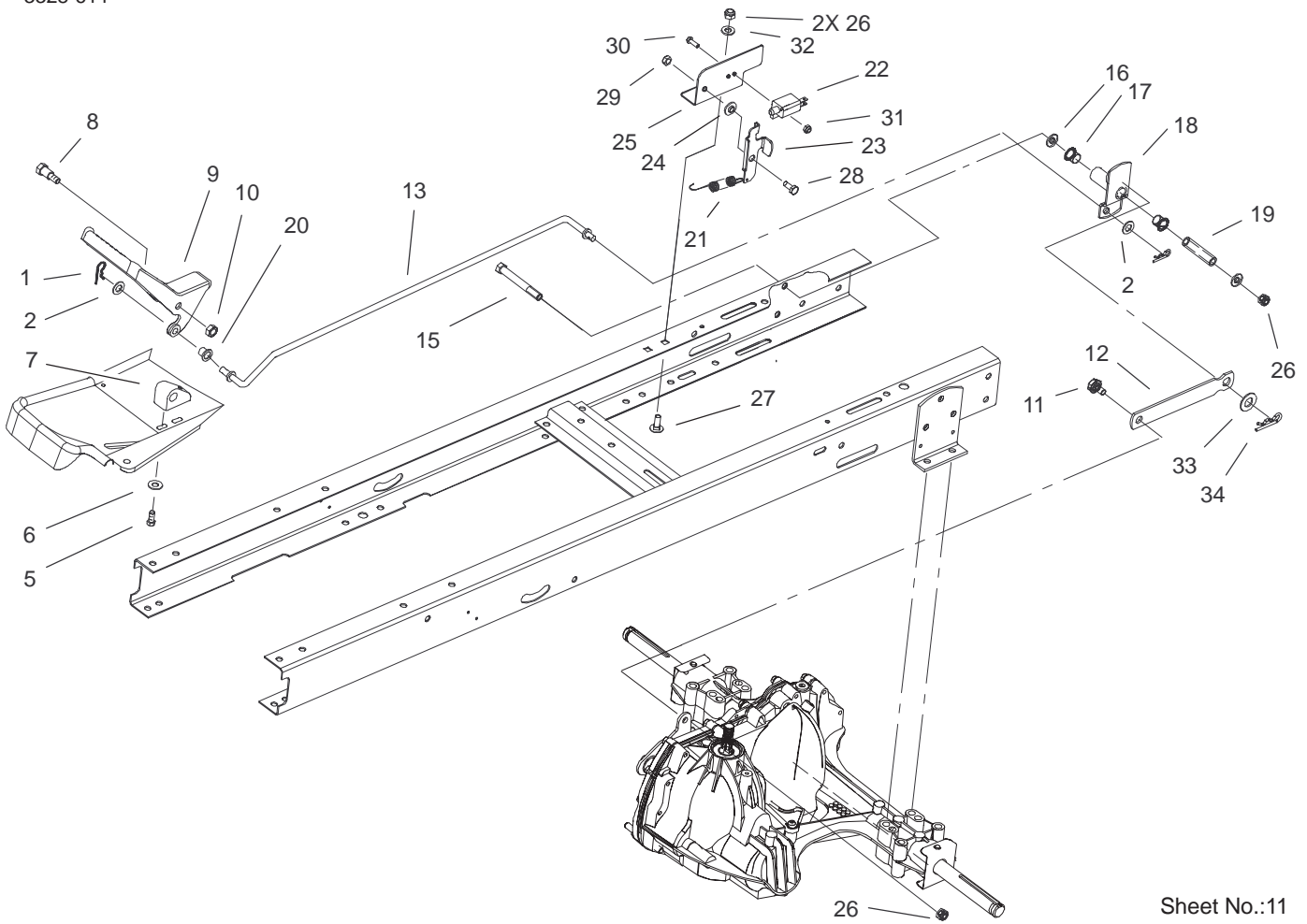


Sheet No.:8

Traction Brake Assembly

Ref. No.	Part No.	Qty.	Description
1	27-8890	1	Spring-Return
2	100-7422	1	Spring-Brake
3	92-4890	1	Washer-Wheel
4	92-7102	1	Pulley-Idler
5	92-5791	1	Spacer
7	88-6330	1	Spring-Extension
8	323-10	1	Screw-HH
9	3256-3	1	Washer-Flat
10	3296-39	1	Nut-Lock, NI
13	88-4810	1	Clamp-Shift, Pivot
14	322-3	2	Screw-HH
15	88-5500	1	Rod-Pedal, Pivot
18	3256-26	1	Washer-Flat
19	3296-47	1	Nut-Lock, NI
20	65-2920	1	Pad-Pedal
21	88-5000-03	1	Pedal-Clutch/Brake
22	322-9	1	Screw-HH
23	3256-23	2	Washer-Flat
24	3272-10	1	Pin-Cotter
25	99-6836	1	Spacer-Switch
26	3296-29	3	Nut-Lock, NI
28	3296-59	2	Nut-Lock, NI
29	88-5270	1	Rod-Clutch/Brake
30	88-6070	1	Arm-Idler
31	37-8770	1	Bolt-Shoulder
32	88-5560	1	Guide-Idler, Belt

Ref. No.	Part No.	Qty.	Description
33	104-4160	1	Pulley-Idler
34	323-1 1	1	Screw-HH
35	5-4460	1	Washer-Pivot

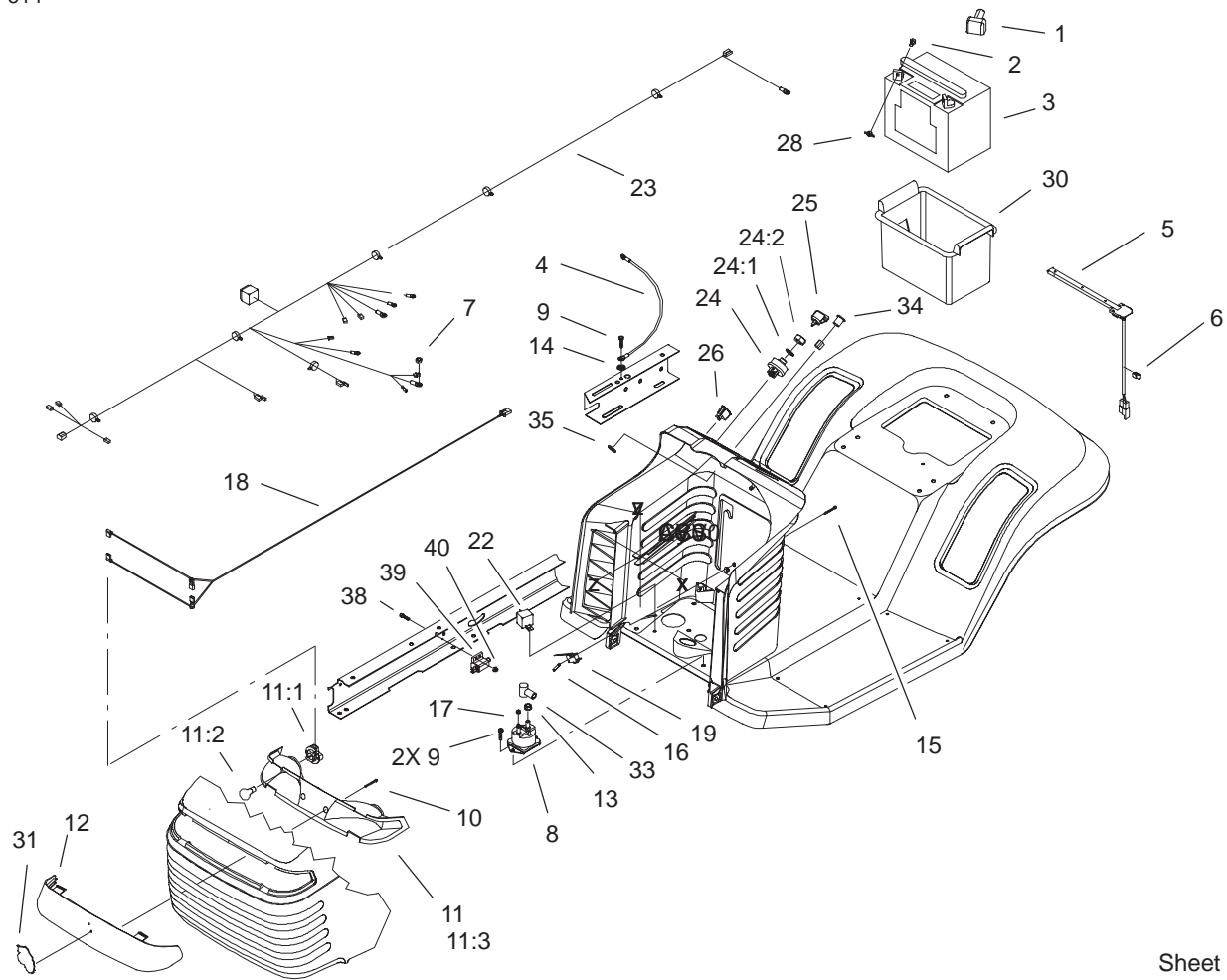


Sheet No.:11

Transaxle Installation Assembly

Ref. No.	Part No.	Qty.	Description
1	3290-307	2	Pin-Hair
2	3256-38	2	Washer-Flat
5	46-8090	2	Screw-Plastite
6	3256-22	2	Washer-Flat
7	88-4690	1	Block-Pivot
8	23-0310	1	Bolt-Shoulder
9	99-6120-05	1	Pedal-Control, Speed
10	3296-59	1	Nut-Lock, NI
11	37-8770	1	Bolt-Shoulder
12	99-6849	1	Link-Control, Speed
13	99-6839	1	Rod-Control, Speed
15	322-14	1	Screw-HH
16	3256-2	2	Washer-Flat
17	256-257	2	Bushing-Nyliner
18	99-6835-03	1	Pivot ASM
19	99-6832	1	Spacer-Pivot
20	99-6121	1	Bushing
21	99-6805	1	Spring-Extension
22	95-1653	1	Switch-Pole, Single
23	99-6807	1	Bracket-Pivot
24	99-6808	1	Washer-Stepped
25	99-6806	1	Bracket-Adjustment
26	3296-29	4	Nut-Lock, NI
27	3230-18	2	Screw-CARR
28	99-6810	1	Screw-HH
29	3296-42	1	Nut-Lock, NI

Ref. No.	Part No.	Qty.	Description
30	3290-392	2	Screw-HHF
31	3296-1	2	Nut-Lock, NI
32	3256-23	2	Washer-Flat
33	3256-26	1	Washer-Flat
34	9335054	1	Pin-Hair

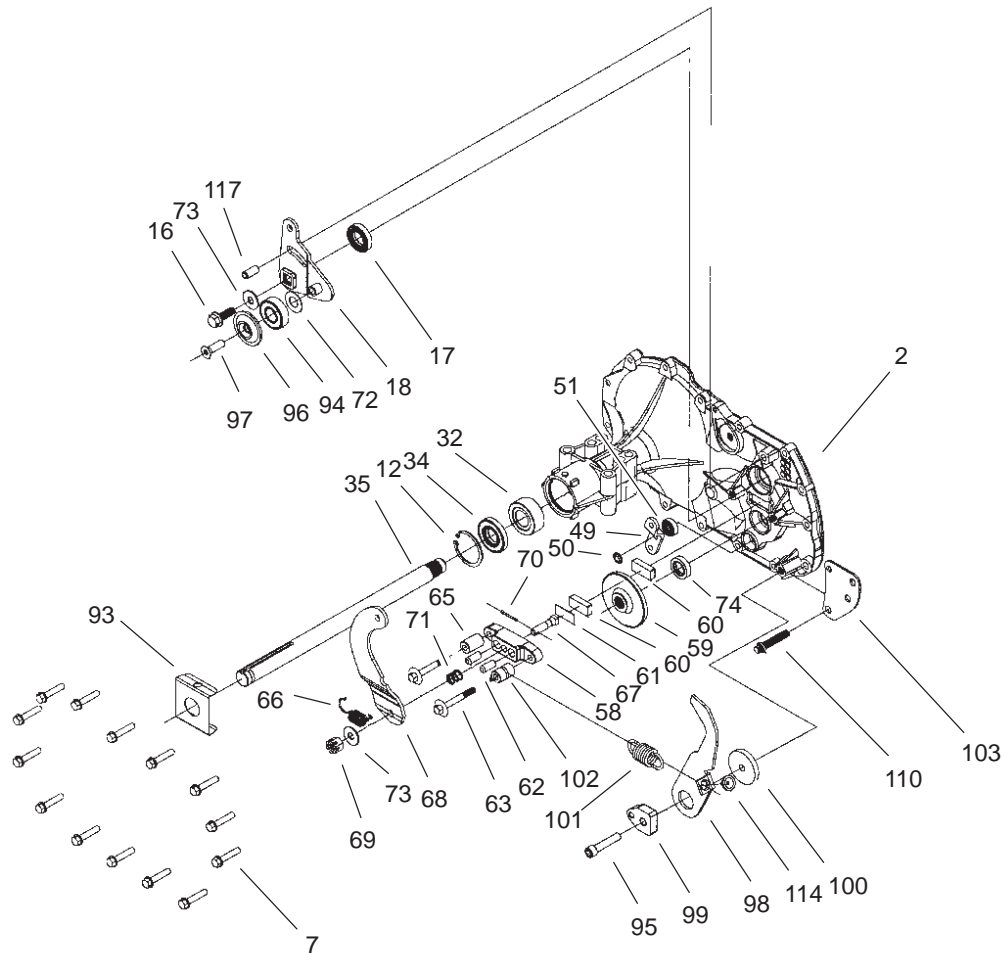


Sheet No.:13

Electrical Component Assembly

Ref. No.	Part No.	Qty.	Description
1	28-8080	1	Boot-Terminal
2	321-4	2	Screw-HH
3	104-1755	1	Battery
4	44-81 10	1	Wire ASM
5	38-1420	1	Switch-Seat
6	702366	1	Clip-Retainer, Wire
7	32149-2	1	Nut
8	28-4210	1	Solenoid
9	9266714	3	Screw-HWH
10	32144-32	2	Screw
11	88-3970	1	Reflector And Lamp ASM
11:1	111686	2	Socket-Light
11:2	7228	2	Bulb
11:3	93-8741	1	Reflector
12	88-3960	1	Lens-Headlight
13	32149-1	2	Nut
14	3255-7	2	Washer-Lock/Ext
15	93-0539	2	Screw-HH
16	3290-354	1	Nut-Speed
17	32149-8	2	Nut-Keps
18	99-1935	1	Harness-Headlight
19	88-9932	1	Switch-Micro
22	98-7249	1	Relay
23	99-6840	1	Harness-Wire
24	88-9830	1	Key Switch ASM

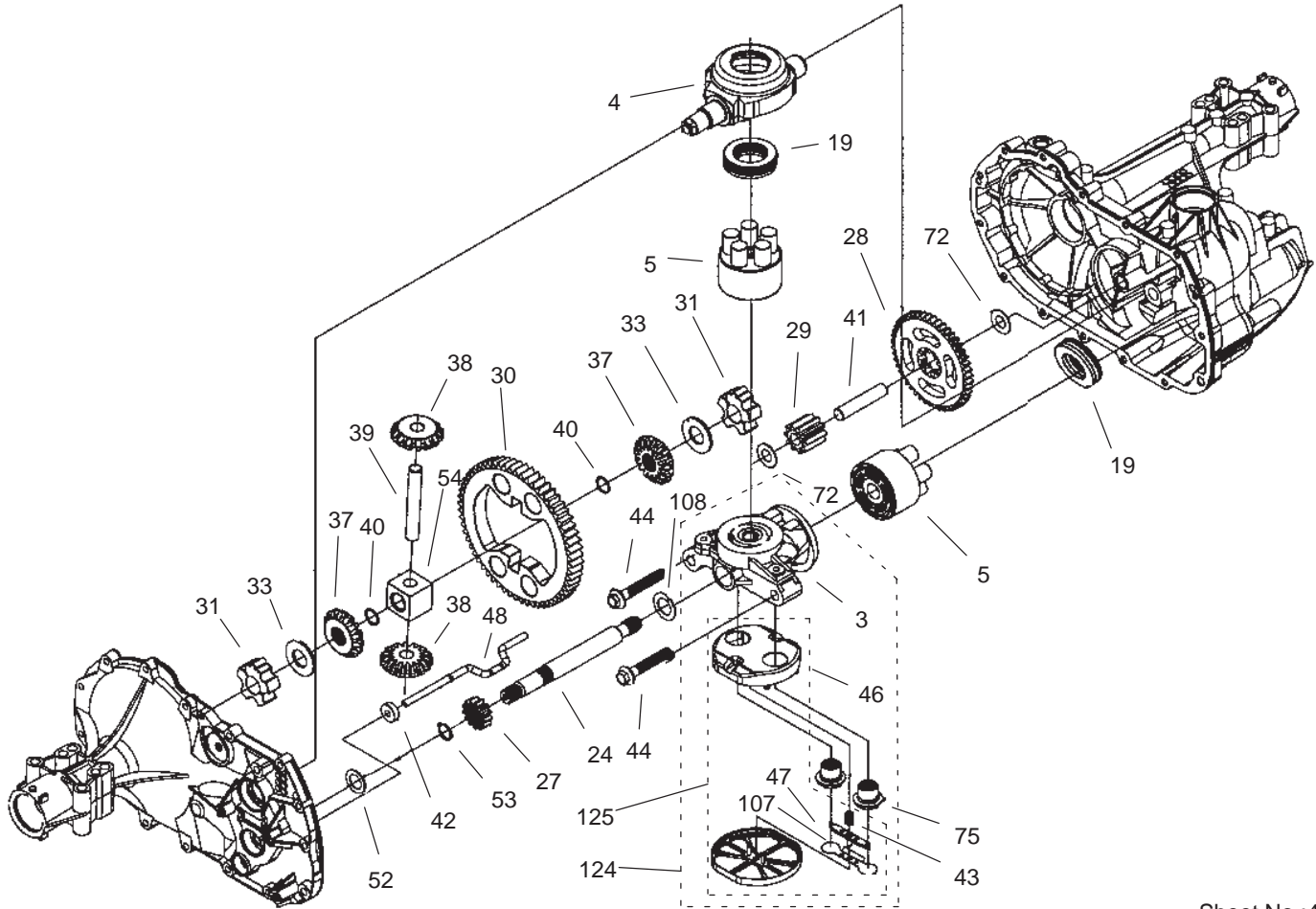
Ref. No.	Part No.	Qty.	Description
24:1	3254-5	1	Washer-Tooth
24:2	218-461	1	Nut-HH
25	63-8360	1	Key-Ignition
26	92-8875	1	Switch-Rocker
28	32103-22	2	Nut-Wing
30	88-4040	1	Box-Battery
31	95-4248	1	Decal
33	93-3190	1	Boot-Insulator, Terminal
34	95-7652	1	Light-Indicator
35	99-6059	1	Clip-Retainer
38	3274-14	2	Screw-HSH
39	65-7410	1	Switch-Pole, Single
40	3296-2	2	Nut-Lock



Sheet No.:3

Transaxle Side Housing and Bearing Assembly

Ref. No.	Part No.	Qty.	Description	Ref. No.	Part No.	Qty.	Description
2	104-5302	1	Side Housing ASM	71	104-2188	1	Spring-Brake, Anti Drag
7	104-5305	14	Screw-HHF	72	94-1933	1	Washer
12	104-5309	1	Ring-Retaining	73	5-4460	2	Washer-Pivot
16	104-5312	1	Screw-HF	74	104-5347	1	Seal-Oil
17	104-5313	1	Seal-Lip	93	104-5353	1	Clip-Spring
18	104-5314	1	Arm-Control	94	104-2156	1	Bearing
32	104-5321	1	Bearing-Sleeve, Outboard	95	104-2155	1	Screw
34	104-5322	1	Seal-Lip	96	104-2157	1	Spacer-Locating
35	104-5323	1	Shaft-Axle, RH	97	104-2158	1	Screw-Countersunk
49	104-5336	1	Arm-Bypass	98	104-5354	1	Arm-Return
50	104-5337	1	Ring-Retaining	99	104-21 19	1	Puck-Adjusting
51	104-5338	1	Seal-Lip	100	104-5355	1	Washer
58	104-5343	1	Yoke-Brake	101	104-5356	1	Spring-Extension
59	104-5344	1	Rotor-Brake	102	104-5357	1	Spacer
60	104-2171	2	Puck-Brake	103	104-5358	1	Bracket-Torque
61	104-2181	1	Puck-Plate	110	104-2148	1	Screw-TTH
62	104-2176	2	Pin-Brake	114	104-5363	1	Guide-Spring
63	104-5345	2	Screw-HF	117	104-5365	1	Pin-Spring
65	104-2180	1	Spacer				
66	104-2184	1	Spring-Arm, Brake				
67	104-2174	1	Bolt-SQH				
68	104-5346	1	Arm-Brake				
69	93-3807	1	Nut-Castle				
70	3272-7	1	Pin-Cotter				



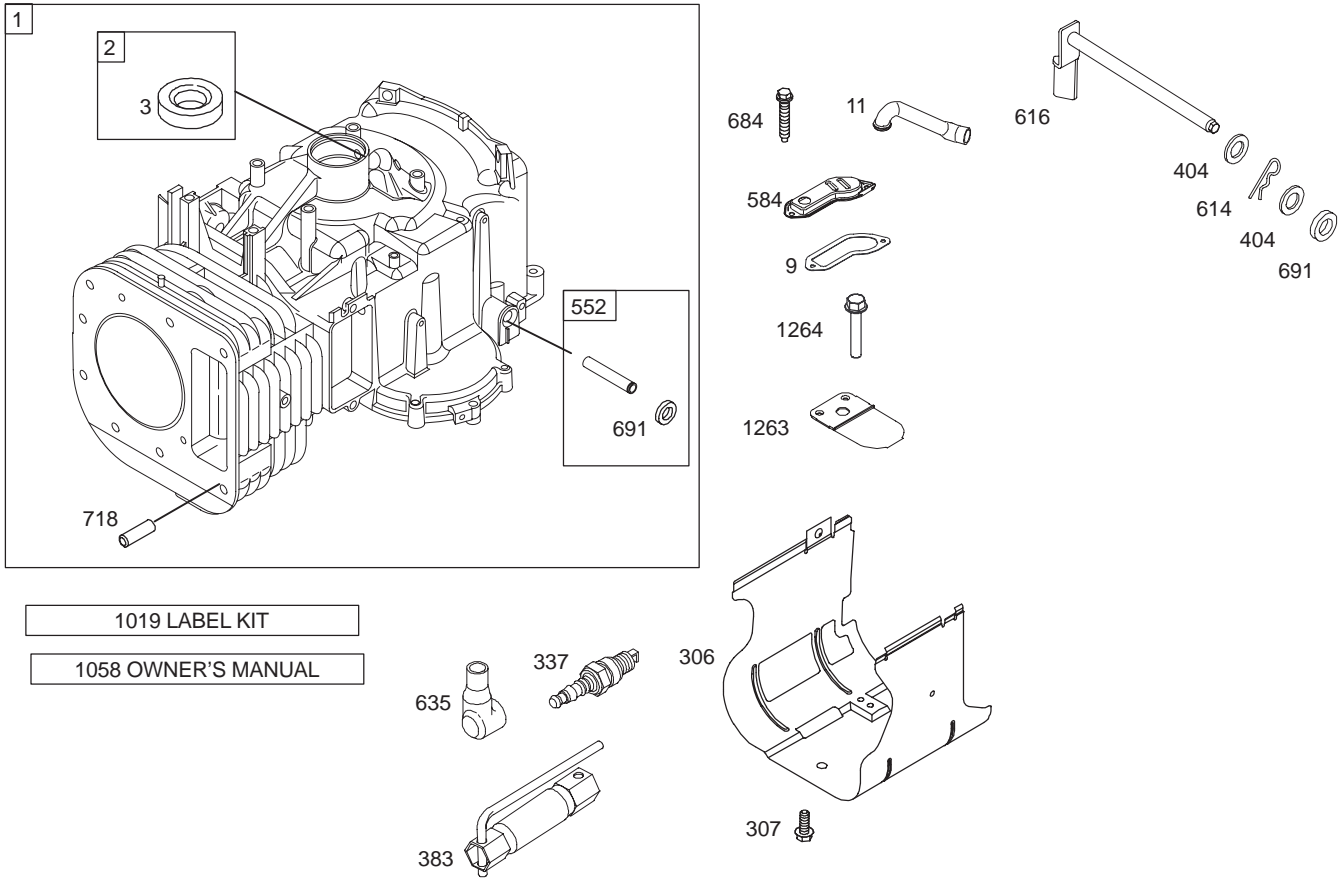
Sheet No.:4

Transaxle Gear Assembly

Ref. No.	Part No.	Qty.	Description
3	104-5303	1	Center Section ASM
4	104-5304	1	Swashplate-T runnion
5	104-2106	2	Cylinder Block ASM
19	94-6922	2	Bearing-Thrust
24	104-5315	1	Shaft-Motor
27	104-5316	1	Gear-Pinnion, 13t
28	104-5317	1	Gear-10t/48t
29	104-5318	1	Gear-Jackshaft, 10t
30	104-5319	1	Gear-Bull 60t
31	104-5320	2	Bearing-Sleeve
33	94-1943	2	Washer
37	104-5325	2	Gear-Miter
38	104-5326	2	Gear-Miter 15t
39	104-5327	1	Shaft
40	104-5328	2	Ring-Retaining, Spiral
41	104-5329	1	Pin-Jackshaft
42	104-5330	1	Magnet-Ring
43	104-5331	1	Spring-Bypass
44	94-6926	2	Bolt
46	104-5333	1	Base-Filter
47	104-5334	1	Actuator-Bypass
48	104-5335	1	Rod-Actuator , Bypass
52	104-5339	1	Washer-Flat
53	104-5340	1	Ring-Retaining
54	104-5341	1	Bearing-Block, Center
72	94-1933	2	Washer

Ref. No.	Part No.	Qty.	Description
75	104-5348	2	Check Plug ASM
107	104-5359	1	Deflector
108	104-5360	1	Washer-Shaft, Motor
124	106-6522	1	Center Section Filter Bypass ASM
125	106-6523	1	Filter ASM
*127	104-5368	1	Seal Kit

* Not illustrated



Assemblies include all parts shown in frames.

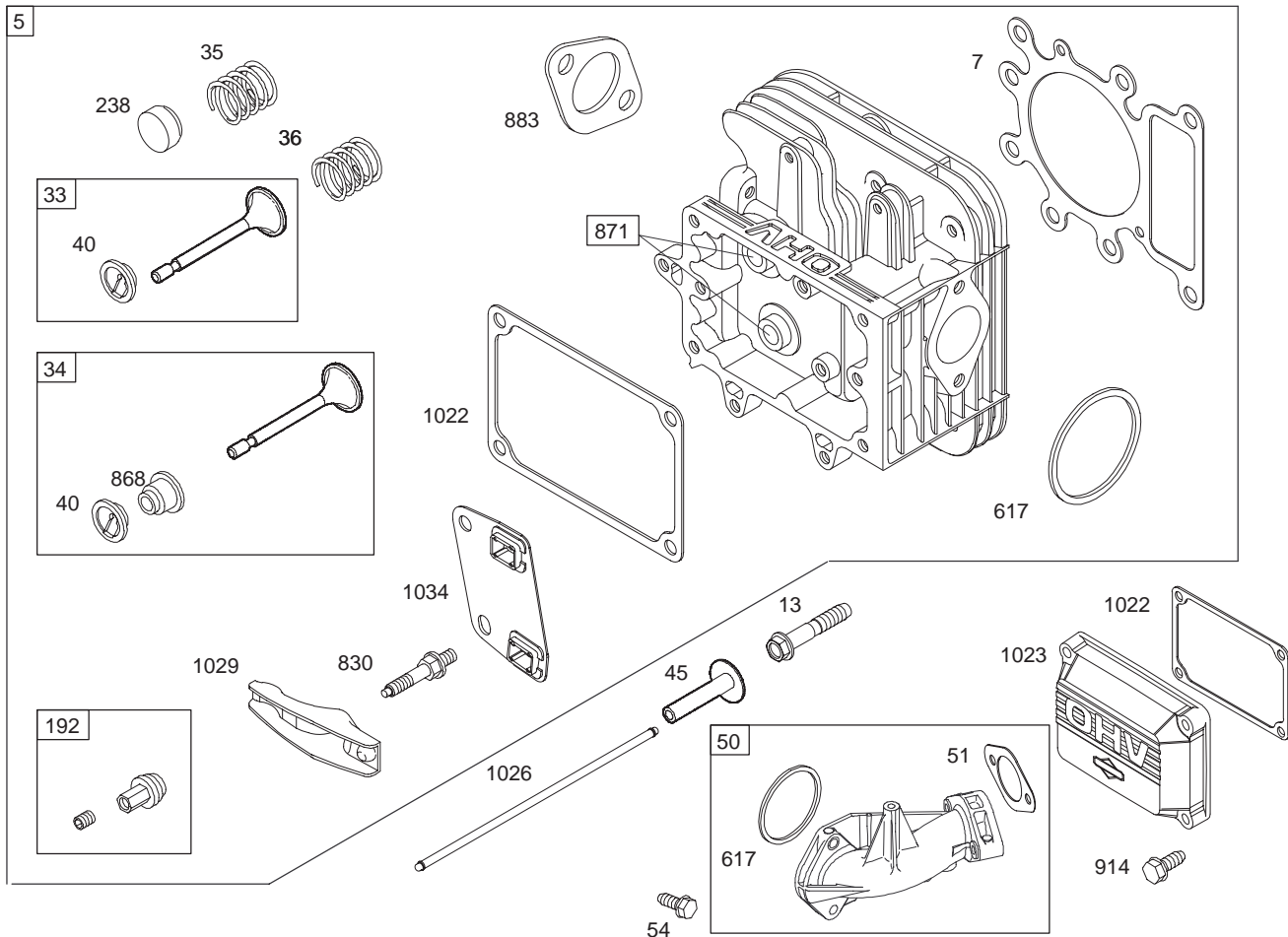
Cylinder Assembly Briggs and Stratton Model 31F777-0123-E1

Ref. No.	Part No.	Qty.	Description
1	697174	1	Cylinder Assembly
2	399265	1	Kit-Bushing/Seal (Magneto Side)
★3	391086	1	Seal-Oil (Magneto Side)
★9	697109	1	Gasket-Breather
11	697113	1	Tube-Breather
306	697107	1	Shield-Cylinder
307	691003	1	Screw (Cylinder Shield)
337	491055	1	Plug-Spark
383	89838	1	Wrench-Spark Plug
404	691691	1	Washer (Governor Crank)
552	697144	1	Bushing-Governor Crank
584	697112	1	Cover-Breather Passage
614	691620	1	Pin-Cotter
616	692012	1	Crank-Governor
635	691909	1	Boot-Spark Plug
684	697157	1	Screw (Breather Passage Cover)

Ref. No.	Part No.	Qty.	Description
★691	692407	1	Seal-Governor Shaft
718	690959	1	Pin-Locating
1019	697143	1	Kit-Label
1058	275038	1	Owner's Manual
1263	697124	1	Reed-Breather
1264	697104	1	Screw (Breather Reed)

△ Included in Valve Gasket Set-Ref. 1095.

★ Included in Engine Gasket Set-Ref. 358.



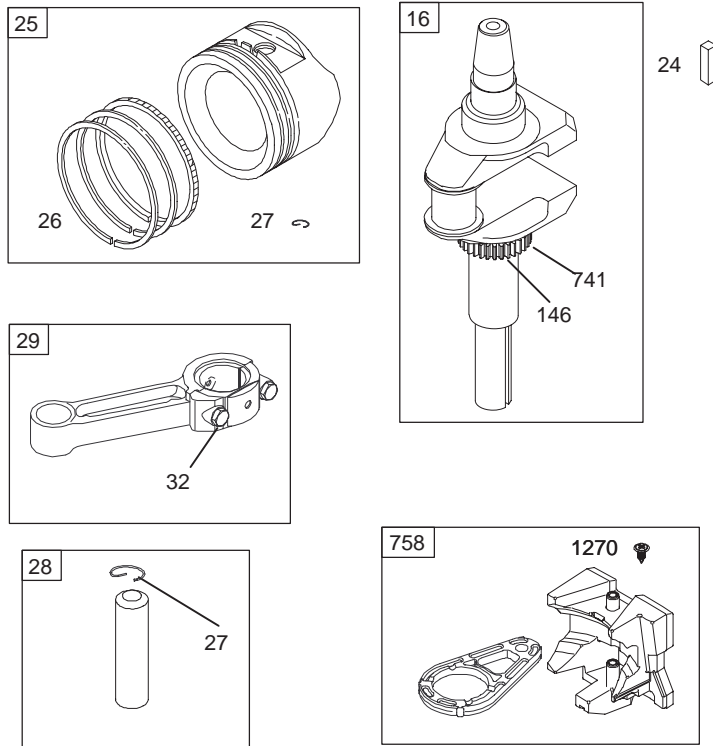
Cylinder Head Assembly Briggs and Stratton Model 31F777-0123-E1

Ref. No.	Part No.	Qty.	Description
5	690188	1	Head-Cylinder
★Δ7	692410	1	Gasket-Cylinder Head
13	690360	1	Screw (Cylinder Head Gasket)
33	495856	1	Valve-Exhaust
34	495857	1	Valve-Intake
35	691279	1	Spring-V valve (Intake)
36	691279	1	Spring-V valve (Exhaust)
40	691752	1	Retainer-V valve
45	690564	1	Tappet-V valve
50	690193	1	Manifold-Intake
★Δ◆51	692137	1	Gasket-Intake
54	691148	1	Screw (Intake Manifold)
192	691986	1	Adjustor-Rocker Arm
238	691843	1	Cap-V valve
★●617	692138	1	Seal-O Ring (Intake Manifold)
830	691095	1	Stud-Rocker Arm
Δ★868	690968	1	Seal-V valve
871	690969	1	Bushing-V valve Guide

Ref. No.	Part No.	Qty.	Description
883	692236	1	Gasket-Exhaust
914	690960	1	Screw (Rocker Cover)
★1022	272475	1	Gasket-Rocker Cover
1023	692492	1	Cover-Rocker
1026	692003	1	Rod-Push (Intake)
	692011	1	Rod-Push (Exhaust)
1029	691751	1	Arm-Rocker
1034	690822	1	Guide-Push Rod

Δ Included in Valve Gasket Set-Ref. 1095.

★ Included in Engine Gasket Set-Ref. 358.

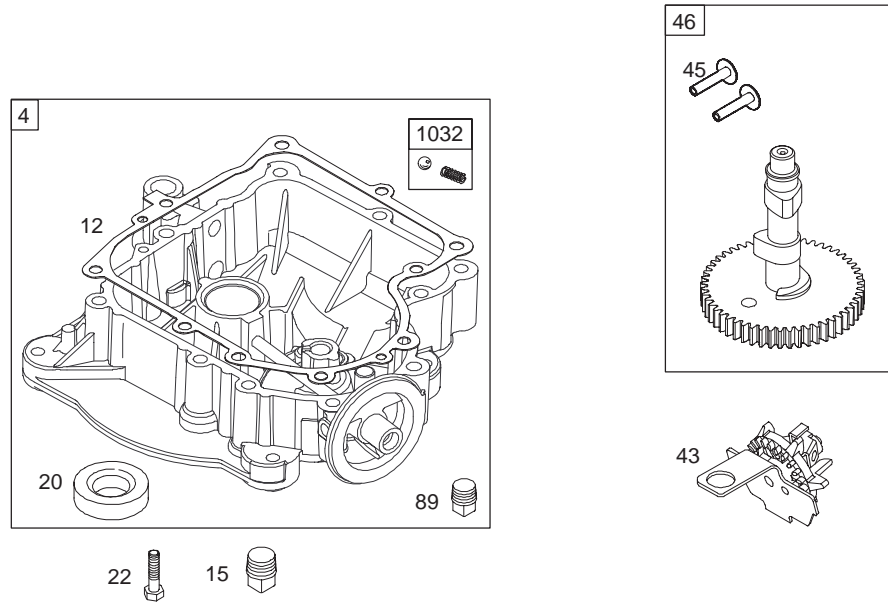


Assemblies include all parts shown in frames.

Crankshaft Assembly Briggs and Stratton Model 31F777-0123-E1

Ref. No.	Part No.	Qty.	Description
16	697127	1	Crankshaft
24	222698	1	Key-Flywheel
25	697159	1	Piston Assembly (Standard)
	697160	1	Piston Assembly (.010" Oversize)
	697162	1	Piston Assembly (.020" Oversize)
	697163	1	Piston Assembly (.030" Oversize)
26	697164	1	Ring Set (Standard)
	697165	1	Ring Set (.010" Oversize)
	697171	1	Ring Set (.020" Oversize)
	697172	1	Ring Set (.030" Oversize)
27	697199	1	Lock-Piston Pin
28	697099	1	Pin-Piston (Standard)

Ref. No.	Part No.	Qty.	Description
29	697126	1	Rod-Connecting (Standard)
	697264	1	Rod-Connecting (.020" Undersize)
32	692852	1	Screw (Connecting Rod)
146	690979	1	Key-Timing
741	697128	1	Gear-Timing
758	697134	1	Counterweight
1270	697156	1	Plug-AVS Counterweight



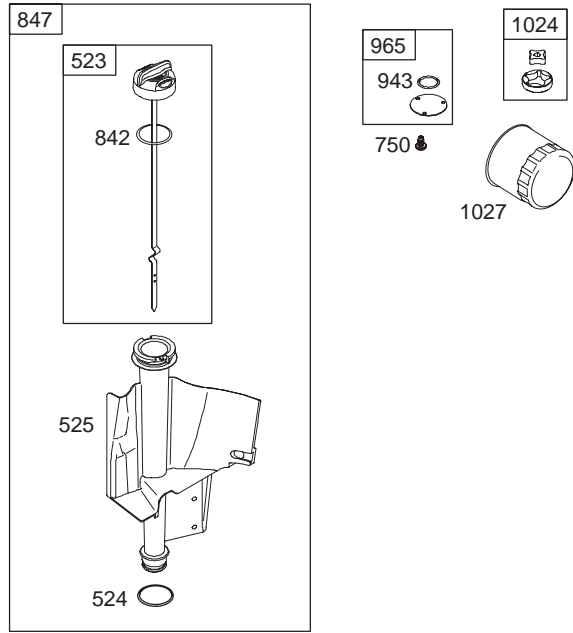
Assemblies include all parts shown in frames.

Crankcase Assembly Briggs and Stratton Model 31F777-0123-E1

Ref. No.	Part No.	Qty.	Description
4	697188	1	Sump-Engine
★12	697110	1	Gasket-Crankcase
15	690946	1	Plug-Oil Drain
★20	690947	1	Oil Seal (PTO Side)
22	692125	1	Screw (Engine Sump)
43	691968	1	Governor/Oil Slinger
45	690564	1	Tappet-V alve
46	697139	1	Camshaft
89	690283	1	Plug-Oil
1032	491710	1	Ball-Oil Pump

Ref. No.	Part No.	Qty.	Description

★ Included in Engine Gasket Set-Ref. 358.



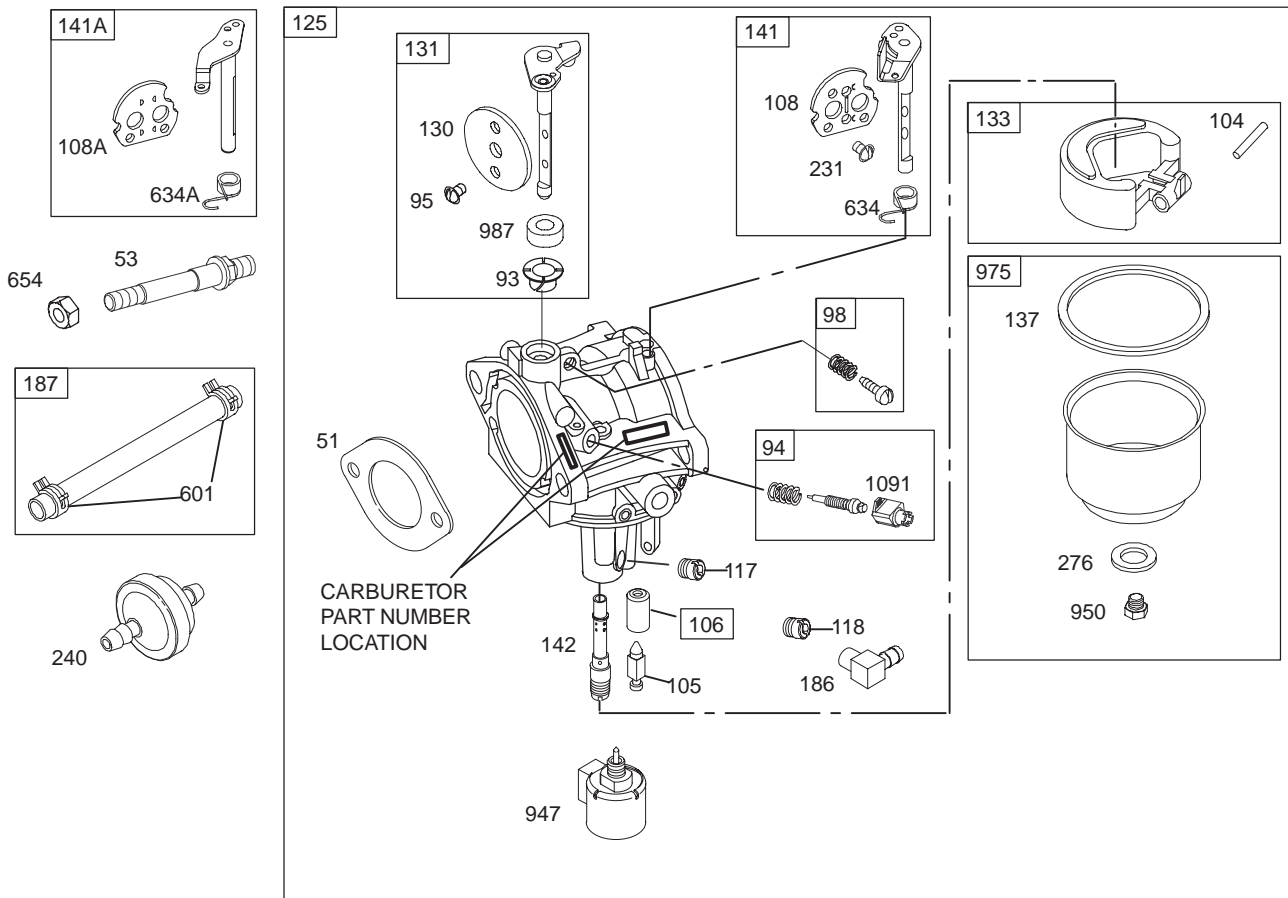
Assemblies include all parts shown in frames.

Oil Filter, Tube and Pump Assembly Briggs and Stratton Model 31F777-0123-E1

Ref. No.	Part No.	Qty.	Description
523	697086	1	Dipstick
★524	691032	1	Seal-O Ring (Dipstick Tube)
525	697085	1	Tube-Dipstick
750	691033	1	Screw (Oil Pump Cover)
★842	691031	1	Seal-O Ring (Dipstick)
847	697087	1	Dipstick/Tube Assembly
★943	690589	1	Seal-O Ring (Oil Pump Cover)
965	499613	1	Cover-Oil Pump
1024	499054	1	Pump-Oil
1027	492932	1	Filter-Oil

Ref. No.	Part No.	Qty.	Description

★ Included in Engine Gasket Set-Ref. 358.



Assemblies include all parts shown in frames.

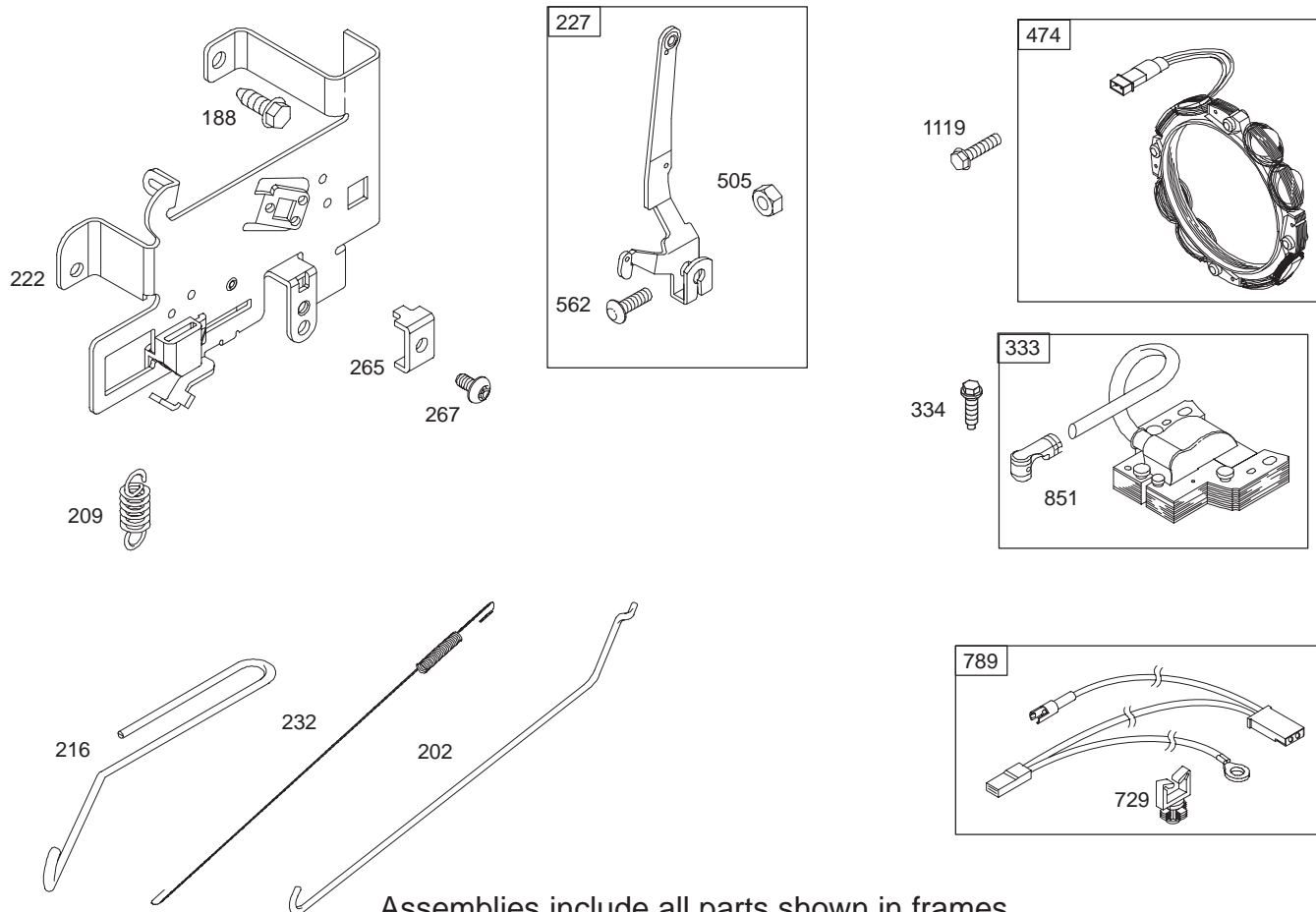
Carburetor Assembly Briggs and Stratton Model 31F777-0123-E1

Ref. No.	Part No.	Qty.	Description
★▲◆51	692137	1	Gasket-Intake
53	690227	1	Stud (Carburetor)
●93	690602	1	Bushing-Throttle Shaft
94	498030	1	Kit-Idle Mixture
●95	691636	1	Screw (Throttle Valve)
98	495800	1	Kit-Idle Speed
●104	690525	1	Pin-Float Hinge
●105	231855	1	Valve-Float Needle
●106	690577	1	Seat-Inlet
108	690464	1	Valve-Choke (Manual Choke)
108A	692344	1	Valve-Choke (Choke A Matic)
●117	694352	1	Jet-Main (Standard)
118	697228	1	Jet-Main (High Altitude)
125	697190	1	Carburetor
130	691750	1	Valve-Throttle
131	494379	1	Kit-Throttle Shaft
133	494381	1	Float-Carburetor
◆137	281165	1	Gasket-Float Bowl

Ref. No.	Part No.	Qty.	Description
141	495097	1	Kit-Choke Shaft (Manual Choke)
141A	495931	1	Kit-Choke Shaft (Choke A Matic)
●142	697140	1	Nozzle-Carburetor
186	692317	1	Connector-Hose Line-Fuel
187	691050	1	(Cut to Required Length)
●231	691636	1	Screw (Choke Valve)
240	394358	1	Filter-Fuel
◆276	692255	1	Sealing Washer
601	95162	1	Clamp-Hose
●634	690801	1	Spring/Seal Assembly
●634A	690802	1	Spring/Seal Assembly
654	690958	1	Nut (Carburetor)
947	694393	1	Solenoid-Fuel
950	691657	1	Screw (Float Bowl)
975	495933	1	Bowl-Float
●987	691326	1	Seal-Throttle Shaft
1091	691333	1	Cap-Limiter

▲ Included in Valve Gasket Set-Ref. 1095.
★ Included in Engine Gasket Set-Ref. 358.

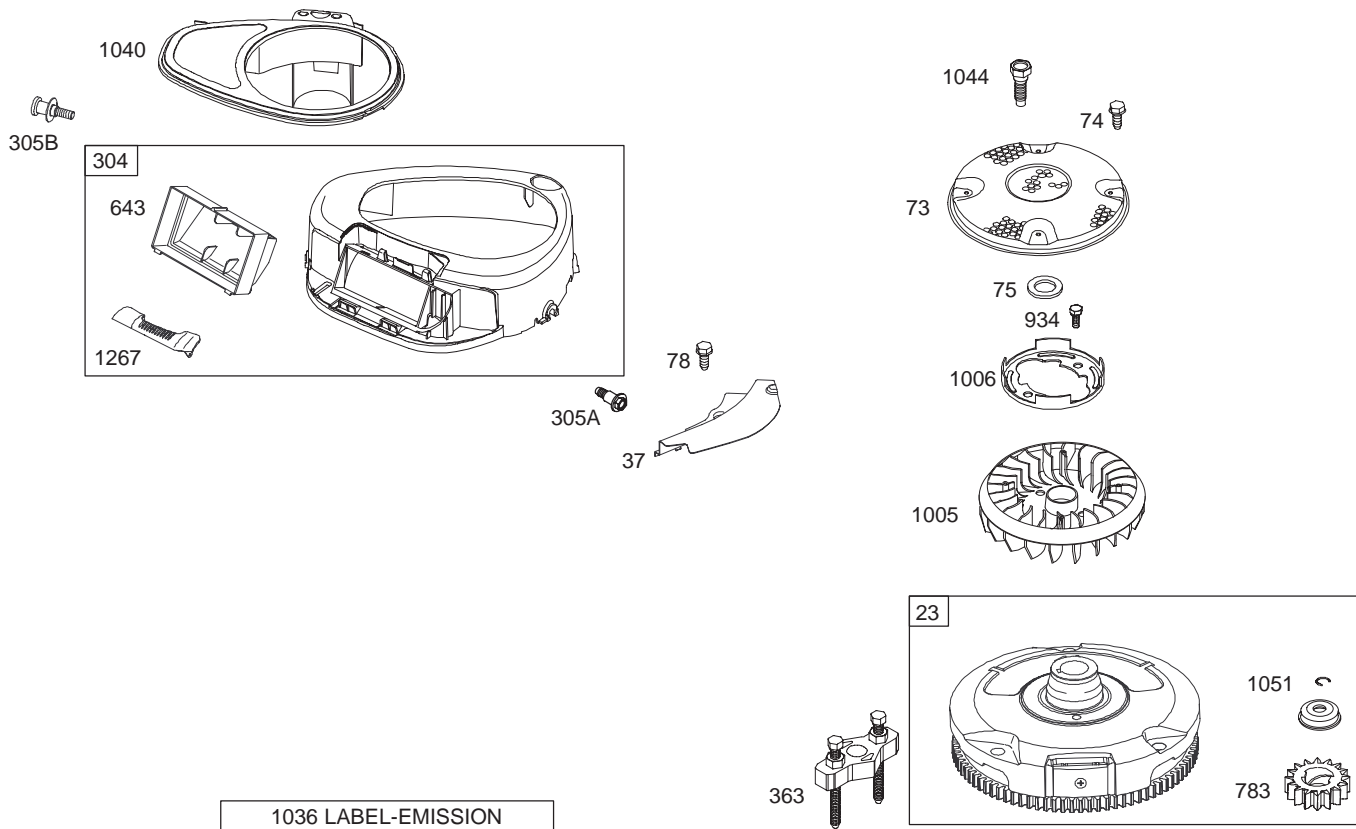
● Included in Carburetor Overhaul Kit-Ref. 121.
◆ Included in Carburetor Gasket Set-Ref. 977.



Governor Assembly Briggs and Stratton Model 31F777-0123-E1

Ref. No.	Part No.	Qty.	Description
188	691693	1	Screw (Control Bracket)
202	691841	1	Link-Mechanical Governor
209	692208	1	Spring-Governor
216	691840	1	Link-Choke
222	694042	1	Bracket-Control
227	691374	1	Lever-Governor Control
232	691842	1	Spring-Governor Link
265	691024	1	Clamp-Casing
267	695134	1	Screw (Casing Clamp)
333	492341	1	Armature-Magneto
334	691061	1	Screw (Magneto Armature)
474	696459	1	Alternator
505	691251	1	Nut (Governor Control Lever)
562	691119	1	Bolt (Governor Control Lever)
729	691335	1	Clip-Wire

Ref. No.	Part No.	Qty.	Description
789	692037	1	Wiring-Harness
851	493880	1	Terminal-Spark Plug
1119	691183	1	Screw (Alternator)

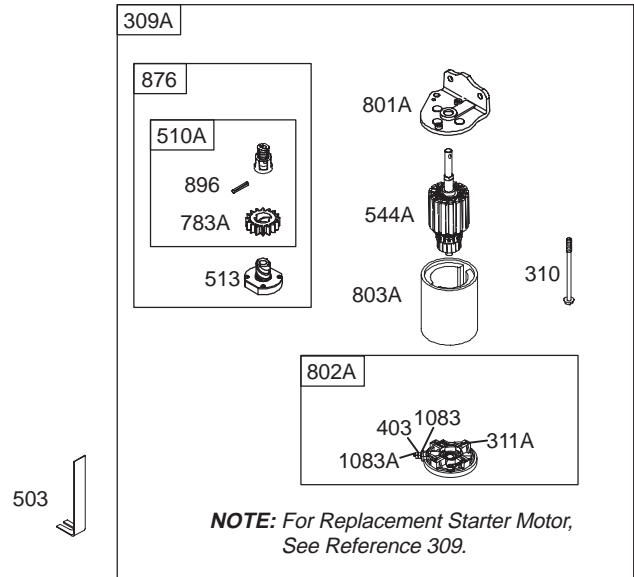
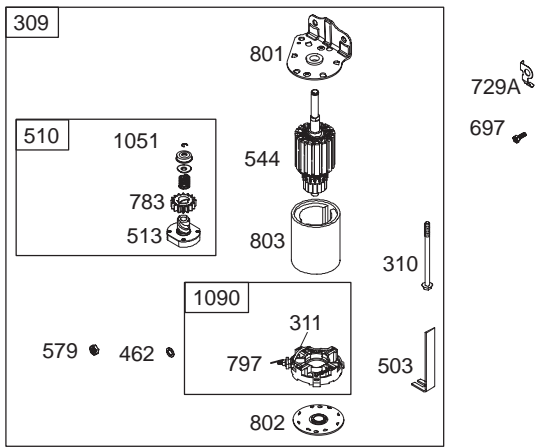


Assemblies include all parts shown in frames.

Blower Housing Assembly Briggs and Stratton Model 31F777-0123-E1

Ref. No.	Part No.	Qty.	Description
23	693557	1	Flywheel
37	697108	1	Guard-Flywheel
73	697133	1	Screen-Rotating
74	690661	1	Screw (Rotating Screen)
75	690582	1	Washer (Flywheel)
78	690661	1	Screw (Flywheel Guard)
304	697137	1	Housing-Blower
305A	697102	1	Screw (Blower Housing)
305B	697103	1	Screw (Blower Housing)
363	19203	1	Puller-Flywheel
643	697155	1	Retainer-Air Filter
783	693713	1	Gear-Pinion
934	691058	1	Screw (Fan Retainer)
1005	697111	1	Fan-Flywheel
1006	690452	1	Retainer-Fan
1036	695700	1	Label-Emission
1040	697142	1	Plate-T rim
1044	691658	1	Screw (Crankshaft Extension)

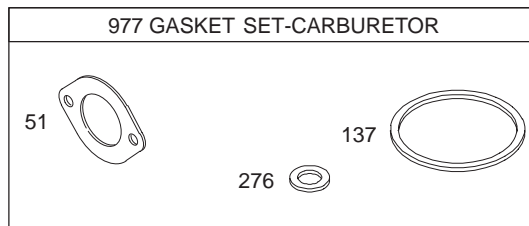
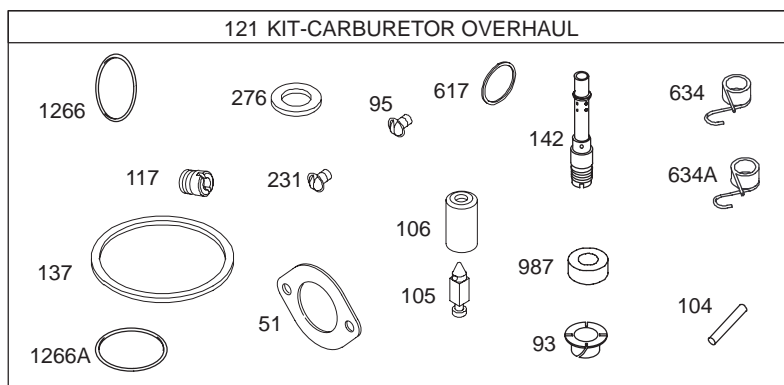
Ref. No.	Part No.	Qty.	Description
1051	691265	1	Ring-Retaining
1267	697135	1	Latch-Blower Housing



Starter Assembly Briggs and Stratton Model 31F777-0123-E1

Ref. No.	Part No.	Qty.	Description
309	693551	1	Motor-Starter
309A		1	Motor-Starter (For Replacement Starter Motor, See Ref. 309)
310	690323	1	Bolt (Starter Motor)
311	497608	1	Brush Set
311A	395538	1	Brush Set
403	690288	1	Washer (End Cap)
462	691261	1	Washer (Brush Retainer)
503	691532	1	Strap-Starter
510	693699	1	Drive-Starter
510A	495878	1	Drive-Starter
513	692024	1	Drive Clutch
544	692034	1	Armature-Starter
544A	390837	1	Armature-Starter
579	691029	1	Nut (Brush Retainer)
697	690372	1	Screw (Drive Cap)
729A	691224	1	Clip-Wire

Ref. No.	Part No.	Qty.	Description
783	693713	1	Gear-Pinion
783A	693059	1	Gear-Pinion
797	693167	1	Nut (Brush Retainer)
801	691283	1	Cap-Drive
801A	691429	1	Cap-Drive
802	691286	1	Cap-End
802A	395537	1	Cap-End
803	693757	1	Housing-Starter
803A	398159	1	Housing-Starter
876	495877	1	Kit-Gear
896	691641	1	Pin-Drive Retainer
1051	691265	1	Ring-Retaining
1090	691293	1	Retainer-Brush
1083	690958	1	Nut (End Cap)
1083A	691626	1	Nut (End Cap)



Assemblies include all parts shown in frames.

Carburetor Overhaul Kit Assembly Briggs and Stratton Model 31F777-0123-E1

Ref. No.	Part No.	Qty.	Description
★△◆51	692137	1	Gasket-Intake
●93	690602	1	Bushing-Throttle Shaft
●95	691636	1	Screw (Throttle Valve)
●104	690525	1	Pin-Float Hinge
●105	231855	1	Valve-Float Needle
●106	690577	1	Seat-Inlet
●117	694352	1	Jet-Main (Standard)
121	697241	1	Kit-Carburetor Overhaul
◆137	281165	1	Gasket-Float Bowl
●142	697140	1	Nozzle-Carburetor
●231	691636	1	Screw (Choke Valve)
◆276	692255	1	Washer-Sealing
★●617	692138	1	Seal-O Ring (Intake Manifold)
●634	690801	1	Spring/Seal Assembly
●634A	690802	1	Spring/Seal Assembly
977	690192	1	Gasket Set-Carburetor
●987	691326	1	Seal-Throttle Shaft
★●1266	691917	1	Seal-O Ring (Intake Elbow)

Ref. No.	Part No.	Qty.	Description
★●1266A	697123	1	Seal-O Ring (Intake Elbow)

△ Included in Valve Gasket Set-Ref. 1095.
★ Included in Engine Gasket Set-Ref. 358.

● Included in Carburetor Overhaul Kit-Ref. 121.
◆ Included in Carburetor Gasket Set-Ref. 977.

