



MODEL NO. 41568-220000001 & UP

PARTS CATALOG

**MULTI PRO® 5600
TURF SPRAYER**

▲ SAFETY AND INSTRUCTION DECALS

The following safety and instruction decals are installed on the vehicle. If any become damaged or illegible, replace them. Decal part numbers are listed below and in the parts catalog. Order replacements from your Authorized TORO Distributor.



Part No. 36-3400: One Located on Right Front Fender, One on Left Front Fender.



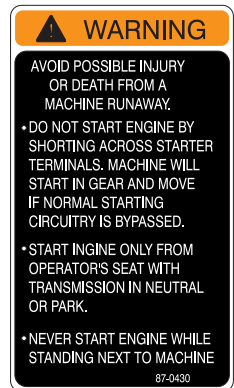
Part No. 87-0450: Located on Left Side of Center Console.



Part No. 94-7176
Located on Dash Panel, above Key Switch.



Part No. 94-7171:
Located on Dash Panel, Right of Light Switch.



Part No. 87-0430: Located Behind Left Front Fender.



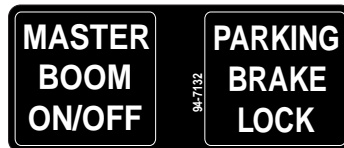
Part No. 71-3730: Located on Top of Gasoline Tank.



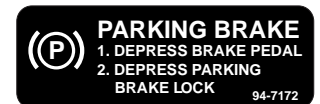
Part No. 92-0479: Located on Floorboard, Right of Traction Pedal.



Part No. 85-4730: Located on Top of Hydraulic Tank.



Part No. 94-7132: Located on Floor Board, Left of Brake Lock Pedal.



Part No. 94-7172: Located on Left Side of Dash Panel, Under Steering Wheel.



Part No. 93-0688: Located on Spray Tank Lid.



Part No. 42958: Located on Left Radiator Brace.



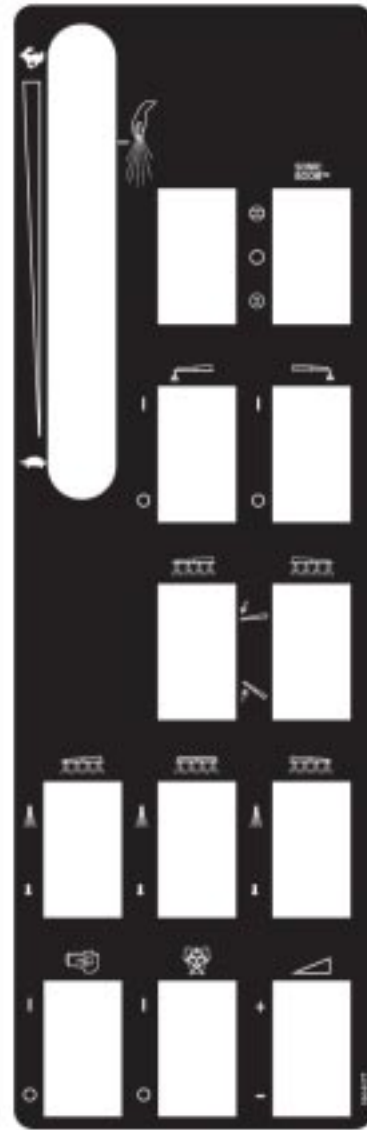
Part No. 104-9128: Located on Front of Front Console

⚠ SAFETY AND INSTRUCTION DECALS

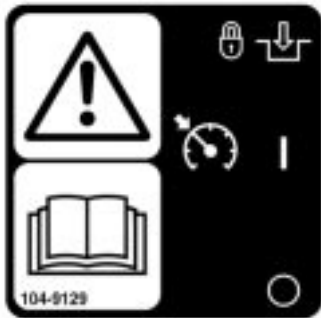
The following safety and instruction decals are installed on the vehicle. If any become damaged or illegible, replace them. Decal part numbers are listed below and in the parts catalog. Order replacements from your Authorized TORO Distributor.



Part No. 62-5550: Located on Front of Front Console.



Part No. 104-9177: Located on the Center Console.



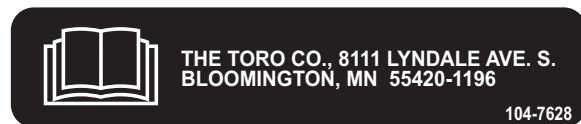
Part No. 104-9129: Located on Dash Panel, Right of Steering Wheel.



Part No. 94-7176: Located on Dash Panel, under Grab Bar.



Part No. 95-2136: Located on the Right End of the Dash.



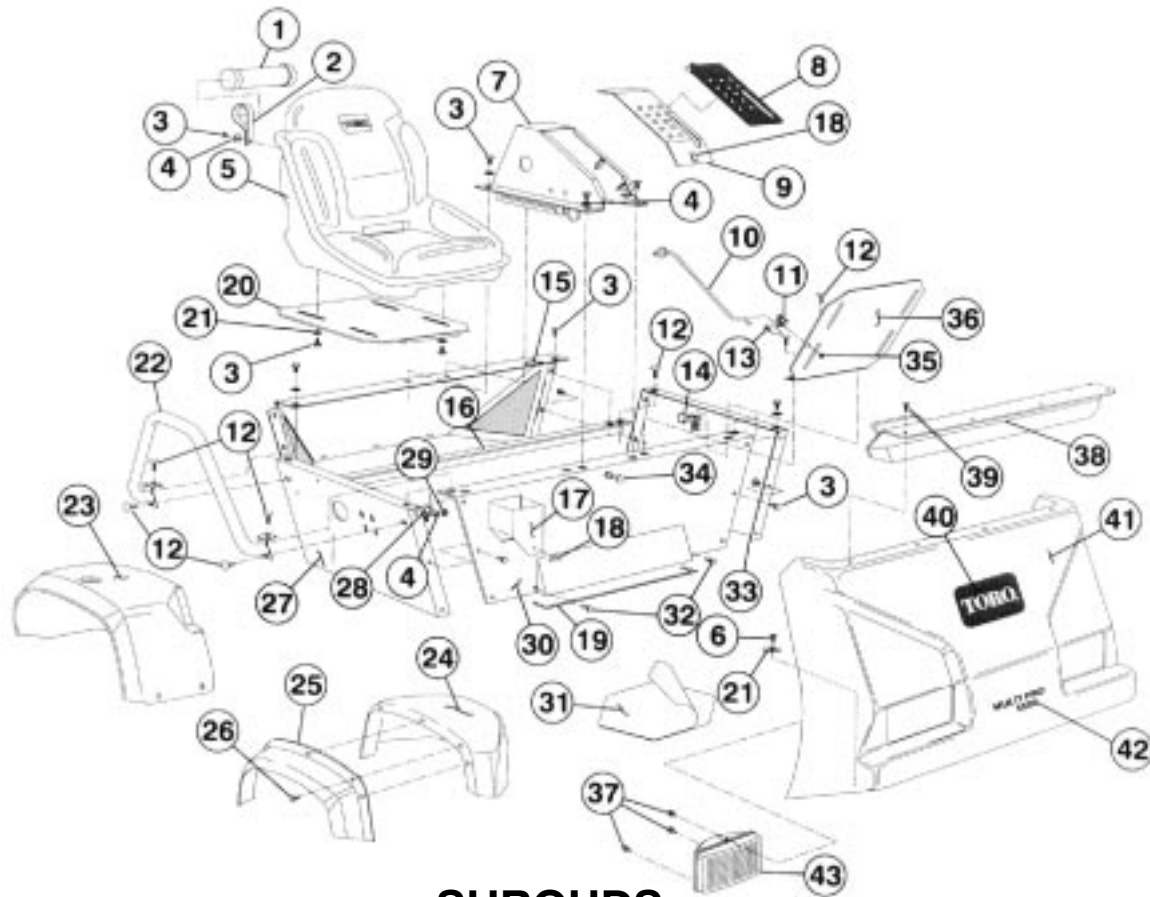
Part No. 104-7628: Located on Left Side of Dash Panel.



Part No. 87-0570: Located on Rear Tank Band.

TABLE OF CONTENTS

DESCRIPTION	PAGE
SAFETY DECALS.....	1-2
SHROUDS.....	4-5
CONTROL CONSOLE.....	6
DASH ASM/BACK OF DASH ASM.....	7
FRONT AXLE ASM.....	9
LINKAGE.....	10
DRIVE LINKAGE.....	11
OIL COOLER/AIR CLEANER.....	12
EXHAUST/FUEL TANK.....	13
HYDRAULIC TANK/HOSES.....	14
HYDRAULIC PUMP & HOSES.....	15
STEERING GEAR.....	16
STEERING CONTROL UNIT.....	17
HYDRAULIC CYLINDER.....	18
PISTON PUMP ASM.....	19
MANUAL SERVO CONTROL ASM.....	20
CHARGE PUMP ASM.....	21
GEAR PUMP ASM.....	22
WHEEL DRIVE/MOTOR.....	23
L.H. HYDRAULIC MOTOR ASM.....	24
R.H. HYDRAULIC MOTOR ASM/WITH SENSOR.....	25
PLANETARY DRIVE ASM.....	26
BRAKE ASM.....	27
HYDRAULIC FLOW DIAGRAM.....	28
RADIATOR ASM.....	29
FAN, WATER PUMP & THERMOSTAT ASM.....	30
CYLINDER HEAD/VALVE ASM.....	31
CRANKSHAFT & CAMSHAFT ASM.....	32-34
OIL PUMP & FILTER ASM.....	35
MANIFOLD ASM.....	36
IGNITION & FUEL PUMP ASM.....	37
CARBURETOR ASM.....	38
GOVERNOR ASM.....	39
ALTERNATOR REGULATOR ASM.....	40
STARTER MOTOR ASM.....	41
MAIN HARNESS & FLYWHEEL ASM.....	42
VEHICLE ELECTRICAL DIAGRAM.....	43
FRESH WATER TANK.....	45
TANK LID ASM.....	46
TANK/SADDLE ASM.....	47
SPRAY CONTROLS.....	48-49
SPRAY SYSTEM - TANK KIT.....	50-51
PLUMBING KIT.....	52-53
PUMP.....	54-55
PUMP DRIVE.....	56-57
SPRAY BOOMS.....	58-59
TURRET BODIES & BOOM HOSES.....	60
SPRAY SYSTEM ELECTRICAL DIAGRAM.....	61



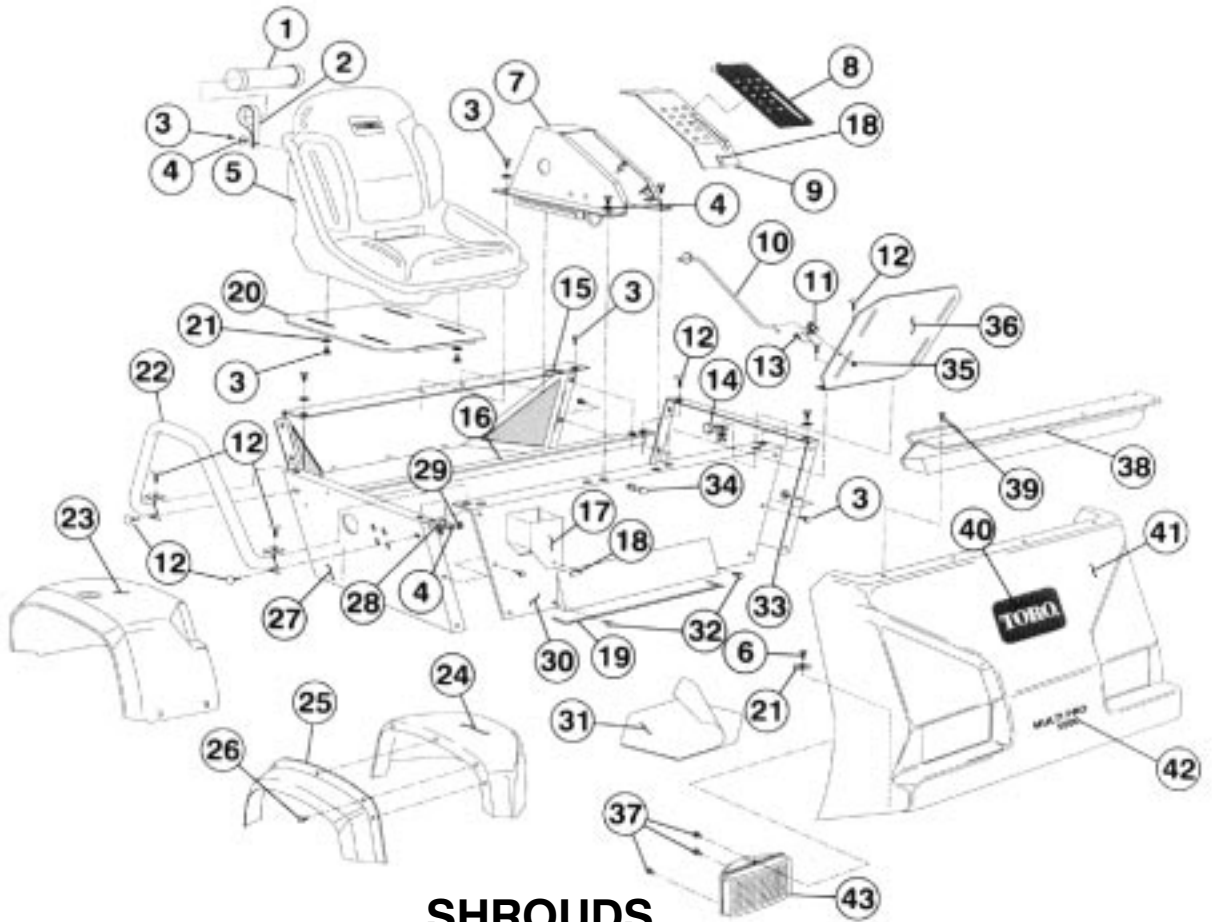
1160-1

SHROUDS

#	Part No.	Description	Qty
1	42559	Manual Tube	1
2	42560	Manual Tube Bracket	2
3	322-3	Hex Hd. Cap Screw, 5/16" x 3/4"	28
4	3256-23	Flat Washer	22
5	104-4620	Seat	2
6	322-5	Cap Screw, 5/16" x 1"	16
7	94-8534	Center Console ASM	1
*	94-7178	Foam - Center Console	2
8	104-9177	Decal - Control Panel	1
9	106-1210	Switch Panel ASM	1
10	94-7204	Seat Prop Rod ASM	2
11	94-7203	Seat Prop Rod Bracket	2
12	3230-1	Carriage Bolt	12
13	321-3	Cap Screw, 1/4" x 5/8"	2
14	41230	"R" - Clamp	4
15	95-2164	Rear ASM Panel	1
16	94-7090	Seat Box Angle ASM	1
17	95-2166	Access Panel	1
*	104-8702	Access Panel, Foam Insulation	1
18	74-5950	Swell Latch	1
19	95-2178	Radiator Intake Trim	1
20	94-7056	Seat Panel ASM - RH	1
*	104-8703	Seat Panel Insulation	1
*	94-7085	Trim	1
21	356303	Special Flat Washer	22
22	94-7046	Hip Restraint	2
23	93-6498	Rear Fender	2
*	94-7127	Rear Splash Guard	2
*	3230-1	Carriage Bolt	8
*	3256-23	Flat Washer	12
*	32128-20	Lock Nut, 5/16" Two Way, Plated	12
*	3234-17	Cap Screw, 5/16" x 1"	4
24	94-8532	Front Fender - RH	1

#	Part No.	Description	Qty
*	94-8531	Front Fender - LH	1
*	322-5	Cap Screw, 5/16" x 1"	8
*	356303	Special Flat Washer	8
25	94-7074	Front Fender Flare - RH	1
*	94-7075	Front Fender Flare - LH	1
*	94-7071	Front Splash Guard	2
26	32105-13	Mach. Screw, #10 x 3/4"	14
*	3256-14	SAE Washer	14
*	3217-26	Hex Nut #10, Plated	14
27	95-2163	RH Seat Box Panel	1
28	2412-104	"R" - Clamp	2
29	32128-20	Flange Nut	22
30	95-2162	Front Seat Box Panel	1
*	104-8700	Upper Insulation	1
*	104-8701	Lower Insulation	1
31	104-8863	Safety Track	1
32	322-5	Cap Screw, 5/16" x 1/2"	2
33	94-7042	LH Seat Box Panel	1
34	42611	Choke Cable	1
35	32146-17	Lock Nut, 1/4"	2
36	94-7059	Seat Panel ASM - LH	1
*	94-7085	Trim	1
37	32144-9	Self Tapping Screw	6
38	104-9105	Dash Panel ASM	1
*	94-8513	Self-Retaining Clip	8
*	94-7139	Dash Upper Mounting Clip	2
*	94-7140	Dash Lower Mounting Clip	2
*	93-6528	Rear Fender Bracket	2
*	95-9495	Plastic Plug Pump Mount	1
*	114439	Rivet Rear End Plate	4
*	94-7128	Rear Fender Plate	2
*	94-7129	Rear Fender Flap	2

*Not Illustrated



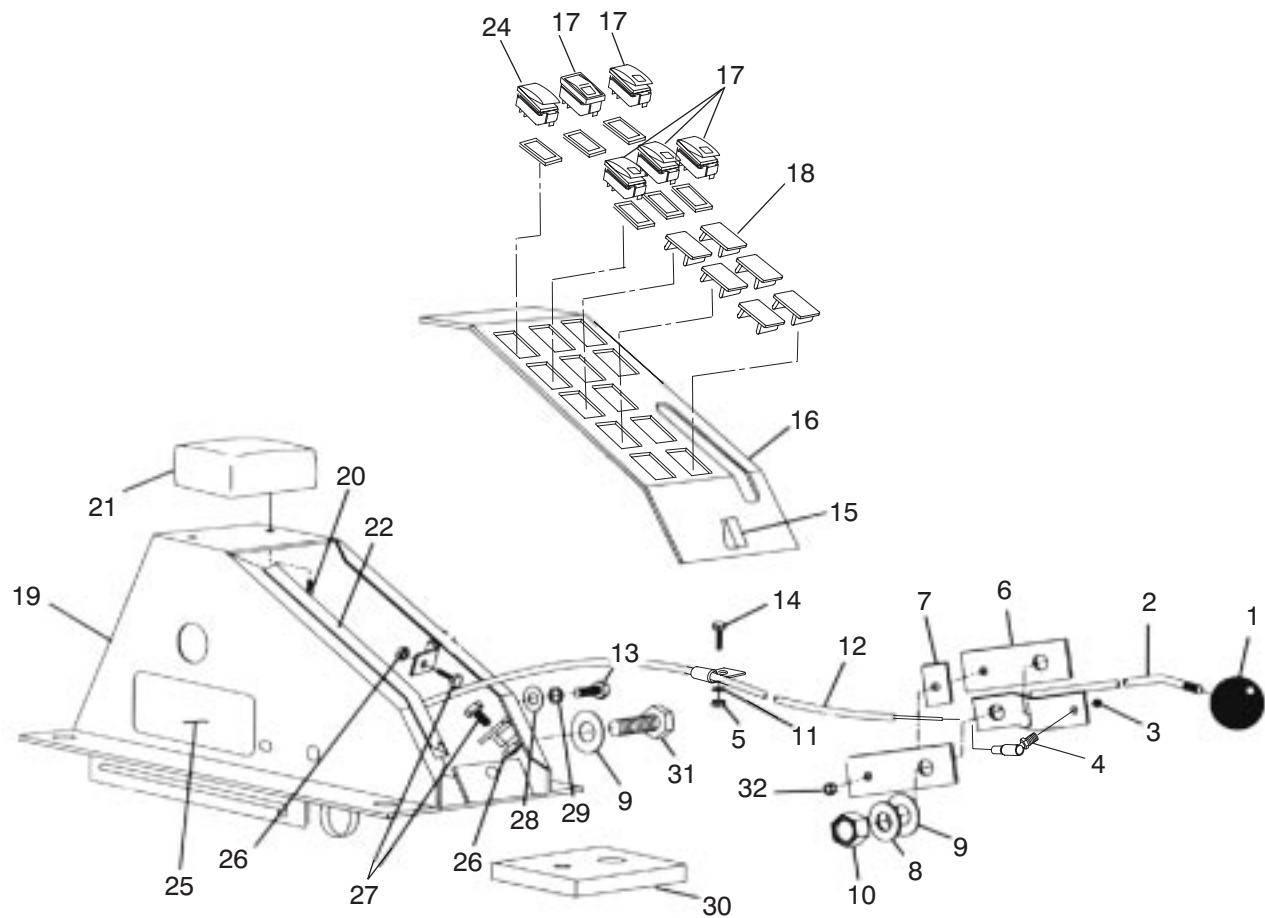
1160-1

SHROUDS

#	Part No.	Description	Qty
39	92-3911	Flange Bolt Head Cap Screw	20
40	62-5550	Decal - Toro	1
41	94-8530	Front Console	1

#	Part No.	Description	Qty
42	104-9128	Decal - Multi Pro 5600	1
43	87-2120	Head Light	2
*	87-6320	Head Light Bulb	2
*	104-9146	Head Light Shield	2

*Not Illustrated



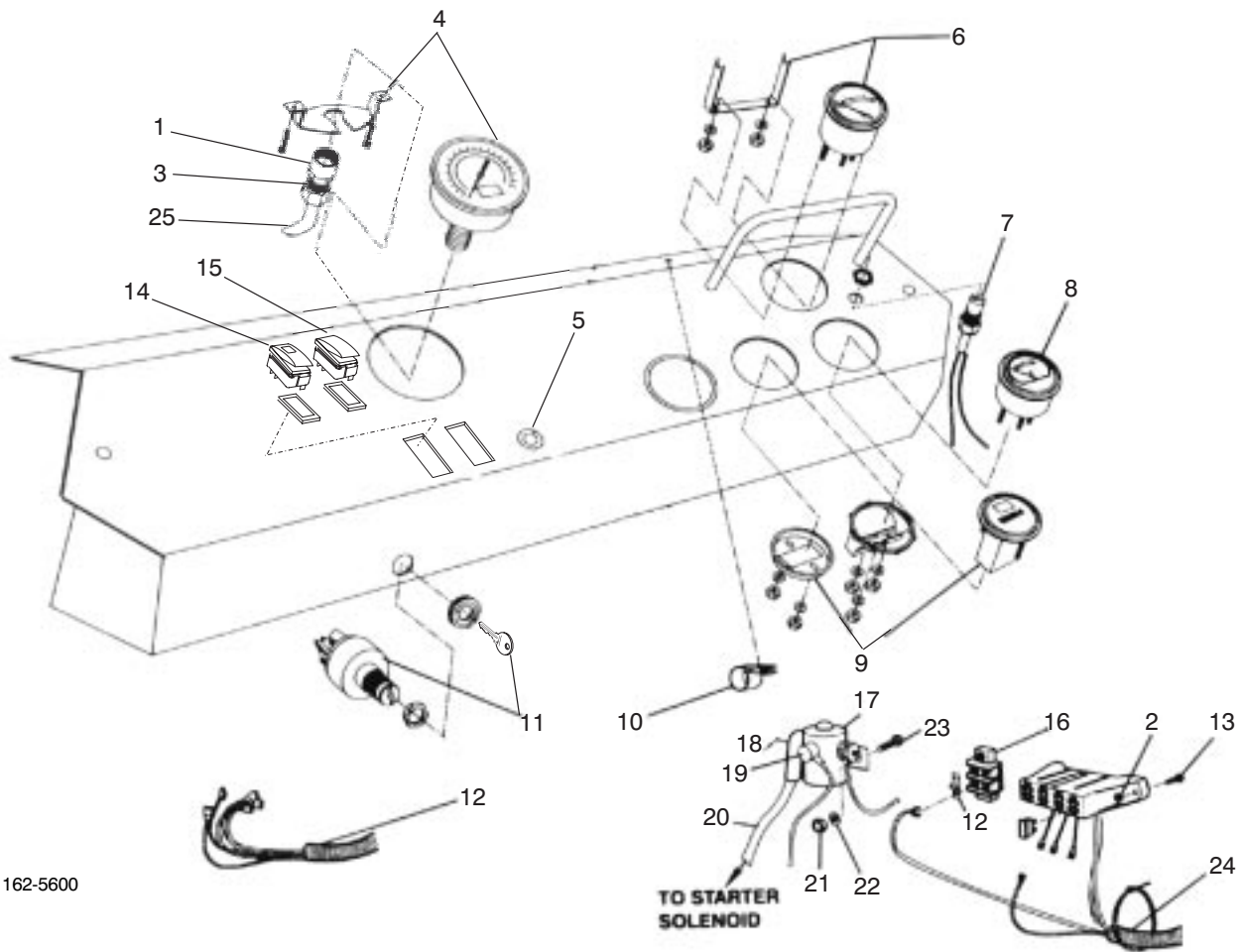
1161-5600

CONTROL CONSOLE

#	Part No.	Description	Qty
1	233-42	Throttle Knob	1
2	94-7060	Throttle ASM	1
3	3296-3	Lock Nut	1
4	100-8559	Ball Joint	1
5	3217-26	Hex Nut Plated	1
6	94-7064	Throttle Bearing	2
7	94-7063	Spacer - Bearing Mount	1
8	3290-450	Washer	1
9	3256-15	Flat Washer	2
10	3296-45	Lock Nut	1
11	3253-17	Lock Washer	1
12	104-9147	Throttle Cable	1
13	322-5	HHCS 5/16 x 1	1
14	3290-360	Cap Screw	1
15	74-5950	Swell Latch	1
16	106-1210	Switch Panel ASM	1
*	104-9177	Decal - Control Panel	1
17	100-8490	Switch	5

#	Part No.	Description	Qty
18	99-7420	Plugs	6
19	94-8534	Center Console ASM	1
20	3290-134	HH Machine Screw	2
21	94-7087	Arm Rest Pad	1
22	94-7178	Foam - Console	2
23*	104-9172	Wire Harness - Sprayer	1
24	100-1535	Pressure Inc/Dec Switch	1
25	87-0450	Decal - Personal Injury	2
26	3217-5	Hex Nut 1/4 Plated	2
27	321-8	HHCS 1/4 x 1-1/4"	2
28	3256-3	Flat Washer	1
29	3253-4	Lock Washer	1
30	94-7142	Panel - Foam	1
31	325-6	HHCS	1
32	3217-6	Hex Nut	1
33	3217-26	Hex Nut Plated	1
34	100-1535	Pressure Inc/Dec Switch	1

* Not Illustrated



1162-5600

DASH ASM (104-9106)

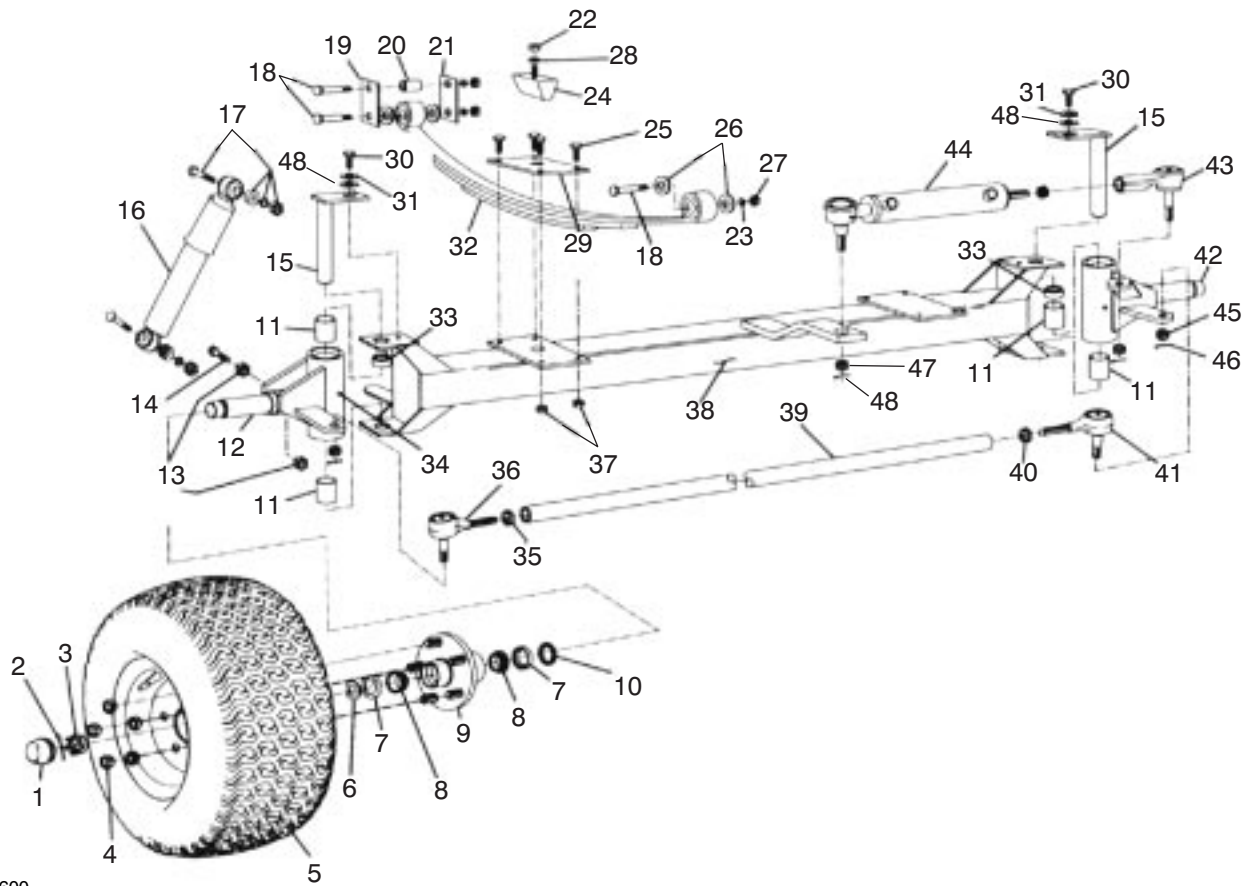
#	Part No.	Description	Qty
1	100-8666	Nut	1
2	3217-26	#10 Plated Hex Nut	6
3	100-8667	Coupler	1
4	104-9115	Pressure Gauge	1
5	94-7290	Plug	1
6	42610	Voltmeter Gauge	1
7	42609	Oil Light	1
8	42608	Coolant Temperature Gauge	1
9	66-2950	Hour Meter	1
10	41230	"R" Clamp	1
11	42607	Key Switch (w/Keys)	1
12	42863	Jumper	1
13	32144-125	Self Tapping Screw	6

#	Part No.	Description	Qty
14	104-9007	Speed Control Switch	1
15	100-8469	Head Light Switch	1
16	42862	Ground Block	1
17	94-7079	Accessory Solenoid	1
18	92-0034	Terminal Boot	2
19	41187	Terminal Boot	1
20	94-7092	Power Cable	1
21	3217-5	Hex Nut, Plated 1/4"	2
22	3253-3	Lock Washer	2
23	32144-10	Self-Tapping Screw	2
24	104-9152	Vehicle Wire Harness	1
25	106-1211	Gauge Tube	1

* Not Illustrated

Order replacement parts from your Authorized TORO Distributor.

NOTES:

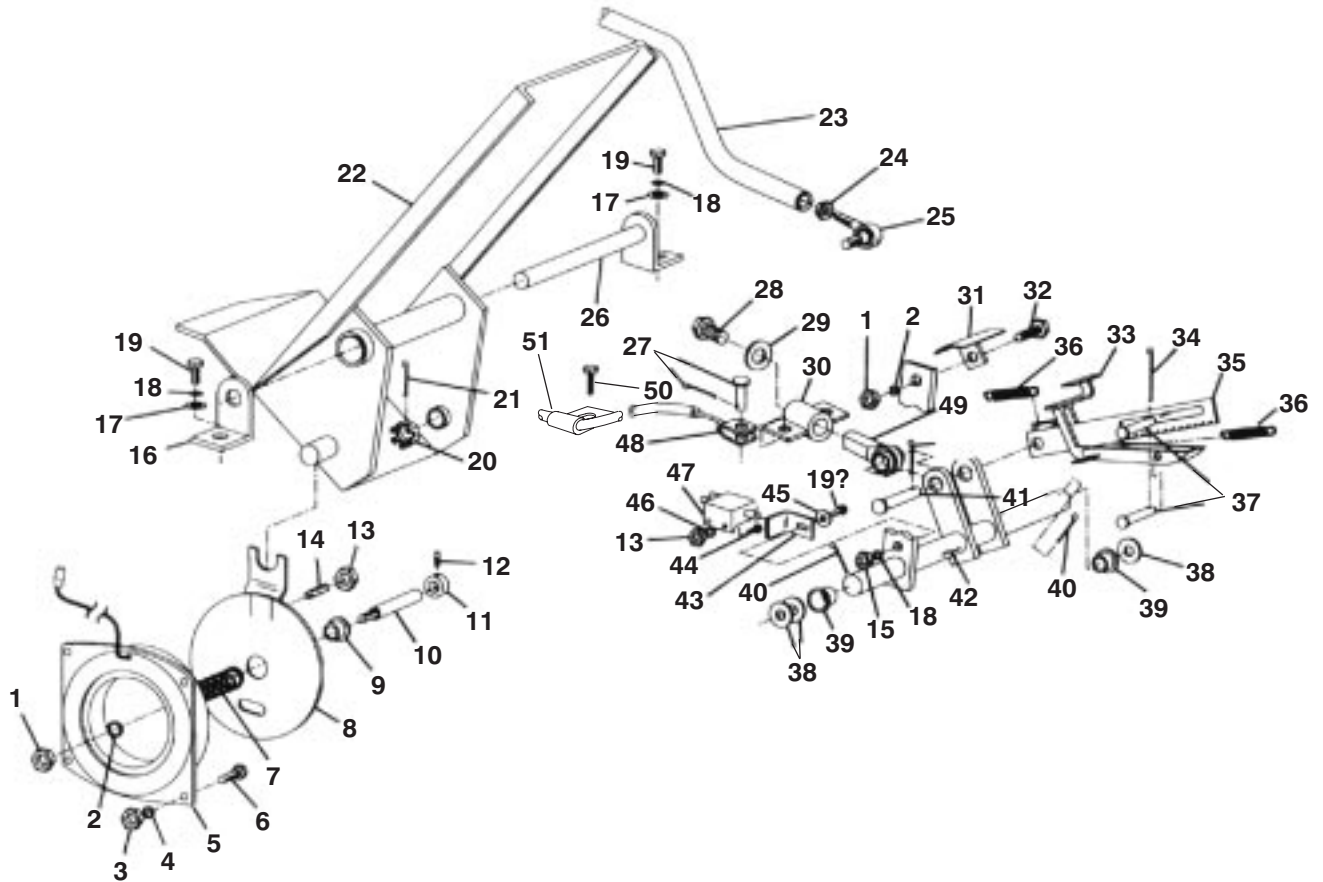


1164-5600

FRONT AXLE ASM

#	Part No.	Description	Qty	#	Part No.	Description	Qty
1	94-7282	Dust Cap	2	25	323-11	Cap Screw	8
2	3272-15	Cotter Pin	2	26	93-6161	Delrin Washer	8
3	32136-11	Castle Nut	2	27	3217-8	Hex Nut	6
4	321077	Wheel Nut	10	28	3253-6	Lock Washer	2
5	42329	Tire & Wheel ASM	2	29	42575	Spring Plate	2
	42330	Tire (f/w 42329)	1	30	322-3	Cap Screw	2
	41169	Wheel Rim (f/w 42329)	1	31	3253-11	Lock Washer	2
6	3256-62	SAE Flat Washer	1	32	99-0570	Leaf Spring	2
7	94-7284	Cup (f/w 94-7148)	2	33	93-6587	Thrust Bearing	2
8	94-7283	Cone (f/w 94-7148)	2	34	361011	Grease Fitting	2
9	94-7148	Hub ASM	2	35	3220-11	Hex Jam Nut	2
	95-9383	Wheel Stud (f/w 94-7148)	5	36	87-1480	Tie Rod End - RH	1
10	94-7285	Grease Seal (f/w 94-7148)	2	37	32153-2	Lock Nut	8
11	93-6586	King Pin Bushing	4	38	93-6568	Front Axle ASM	1
12	93-6582	Spindle ASM - RH	1	39	93-6588	Steering Rod	1
13	3217-9	Hex Nut	4	40	3-8386	Hex Jam Nut	1
14	325-6	Cap Screw	2	41	87-1470	Tie Rod End - LH	1
15	93-6584	King Pin ASM	2	42	93-6577	Spindle ASM - LH	1
16	42690	Shock Absorber	2	43	93-6509	Tie Rod End	1
17	42691	Shock Bolt ASM	4	44	93-6510	Hydraulic Cylinder	1
18	42599	Shoulder Bolt	6	*	92-3992	Repair Kit	AR
19	42574	Outside Shackle	2	45	32136-3	Castle Nut	3
20	42592	Shackle Bushing	2	46	3272-12	Cotter Pin	4
21	42576	Inside Shackle	2	47	32136-13	Nut	1
22	93-6166	Metric Hex Nut	2	48	3256-3	Washer	3
23	3253-6	Lock Washer	2				
24	87-3470	Spring Bumper	2				

*Not Illustrated



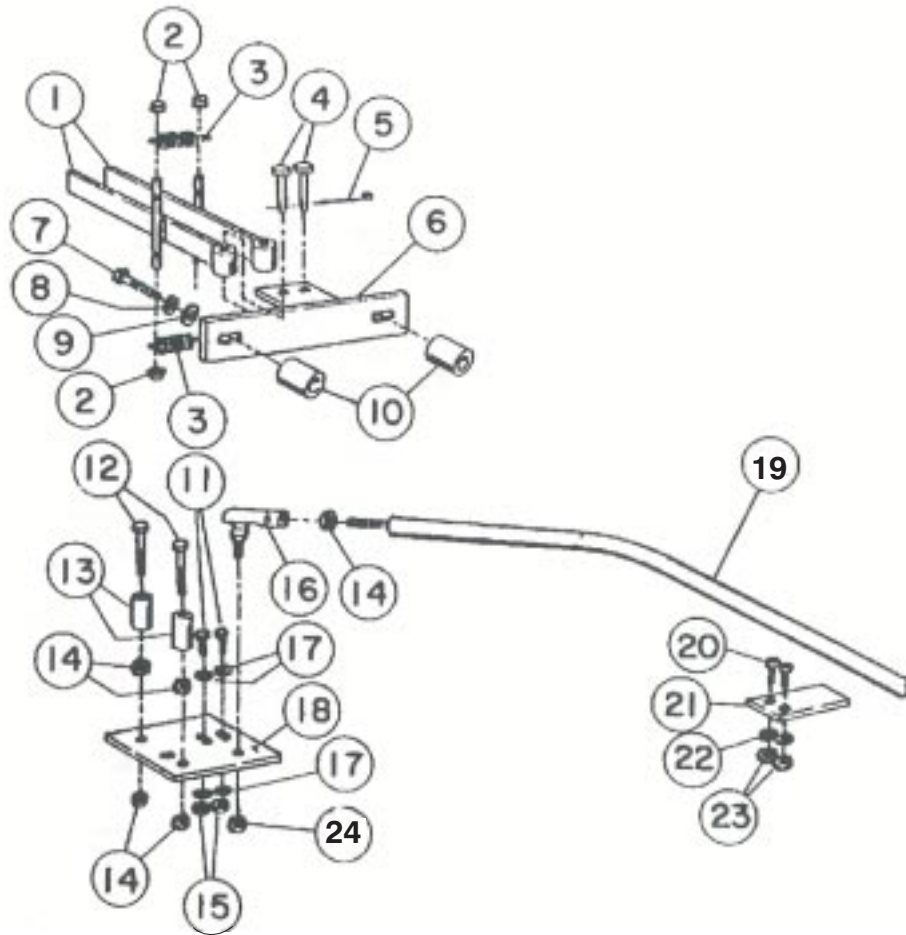
1165-5600

LINKAGE

#	Part No.	Description	Qty
1	3217-7	Hex Nut	2
2	3253-11	Lock Washer	2
3	3217-5	Hex Nut, 1/4" Plated	4
4	3253-3	Lock Washer	4
5	42-1720	Electric Clutch	1
6	321-3	Cap Screw, 1/4" x 5/8"	4
7	43-6200	Compression Spring	1
8	43-6110	Clutch Plate - WA	1
9	256-273	Flange Bushing #FF-604-1	2
10	69-9170	Cruise Shaft	1
11	43-6320	Collar - 1/2"	1
12	3245-32	Hex Soc SS 1/4-20 x 1/4"	1
13	3217-26	Hex Nut, #10 Plated	3
14	3245-31	Hex Soc SS 10-24 x 1/2"	1
15	3217-6	Hex Nut 5/16" Plated	2
16	92-0450	Pin Bracket	1
17	3256-23	Flat Washer	2
18	3253-4	Lock Washer	2
19	322-3	Cap Screw, 5/16" x 3/4"	2
20	32136-4	Hex Nut, Slotted - 3/8-24	1
21	3272-7	Cotter Pin	1
22	92-0446	Traction Pedal ASM	1
*	92-0430	Bearing	2
*	71-0440	Pedal Abrasive	1
*	71-0450	Rear Pedal Abrasive	1
23	94-7005	Linkage Control ASM	1
24	3220-5	Hex Jam Nut	1
25	21-0140	Socket ASM - RH	1
26	92-0448	Pivot Pin ASM	1
27	40258	Yoke Pin ASM	2
28	3213-1	Cap Screw, 1/2 UNF x 1"	1

#	Part No.	Description	Qty
29	3256-26	Flat Washer	1
30	93-6595	Brake Equalizer	1
31	94-7003	Emergency Brake Pedal	1
*	7-3900	Pedal Pad	1
32	323-6	Cap Screw	1
33	93-6599	Brake Catch ASM	1
*	42719	Pedal Pad	1
34	3272-53	Cotter Pin	1
35	93-6598	Brake Catch Strap	1
36	92-0417	Extension Spring	2
37	1049-P	Clevis Pin	2
38	3256-29	Flat Washer 7/8"	3
39	94-7164	Bearing 7/8 Oilite	2
40	3272-11	Cotter Pin	3
41	42195	Clevis Pin	1
42	93-6589	Brake Shaft ASM	1
43	93-6592	Switch Trip Bracket	1
44	32144-125	Self-Tapping Screw	2
45	3256-3	Flat Washer	1
46	3253-17	Lock Washer	2
47	41103	Brake Switch	1
48	93-6594	Brake Cable - RH	1
*	93-6593	Brake Cable - LH	1
*	2412-91	"R" Clamp	1
49	522087	Tie Rod End	1
50	321-3	Screw/Bolt	1
51	2412-91	R-Clamp	1
*	104-9113	Foot Switch	1
*	104-9114	Foot Switch Cover	1

* Not Illustrated



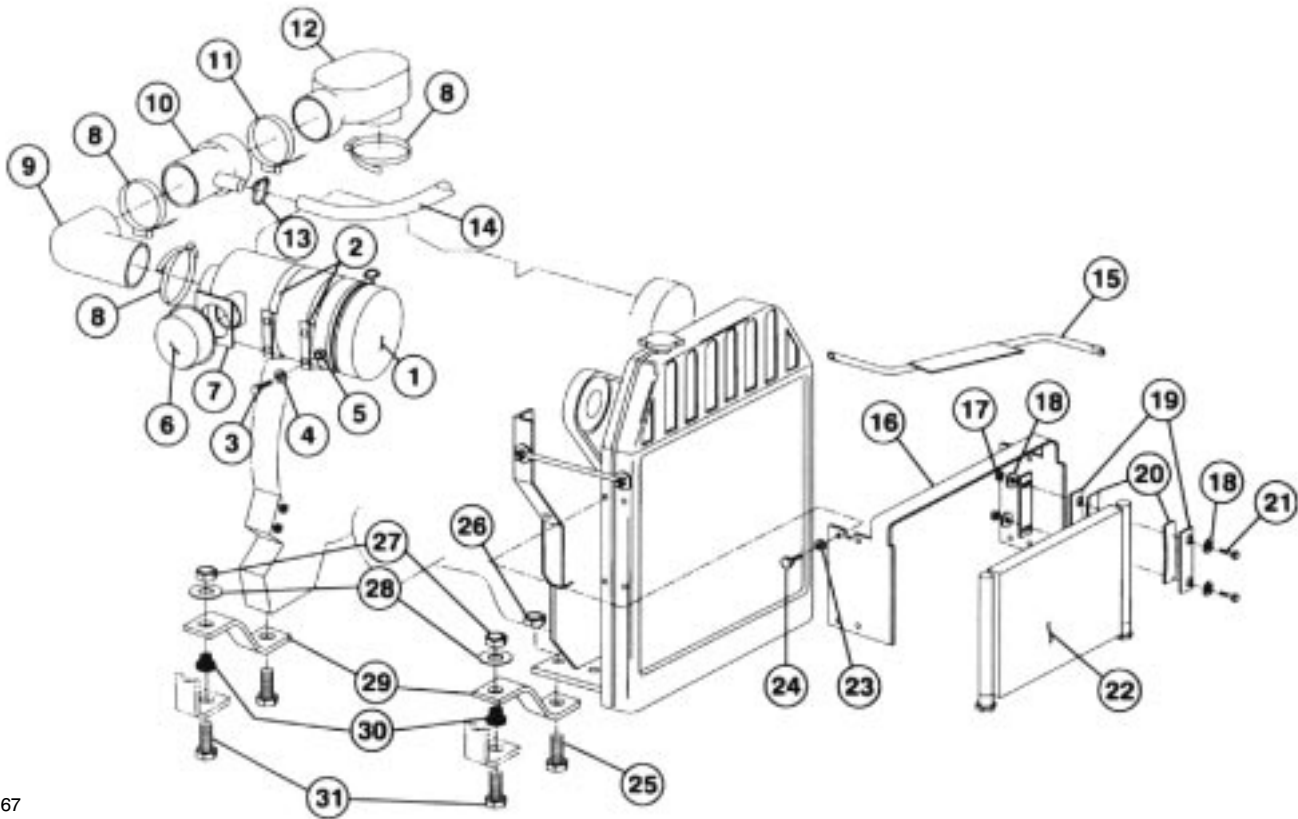
1166-5600

DRIVE LINKAGE

#	Part No.	Description	Qty
1	92-0460	Arm ASM	2
	361011	Grease Fitting (f/w 92-0460)	2
2	92-0465	Spring Retainer	4
3	92-0417	Extension Spring	2
4	1049-P	Clevis Pin, 3/8 x 1-5/8	2
5	3272-53	Cotter Pin, 1/8 x 2-1/2	1
6	92-0457	Neutral Mounting Bracket	1
7	33115-090	HHCS 10MM x 90MM	2
8	3253-6	Lock Washer, 7/16	2
9	3256-4	Flat Washer, 3/8	2
10	92-0466	Spacer Tube, 1" OD x 11/16	2
11	321-4	HHCS, 1/4 NC x 3/4	2
12	3211-9	HHCS, 3/8 NF x 2	2

#	Part No.	Description	Qty
13	92-0455	Bearing, 3/4 OD Delrin	2
14	3220-3	Hex Jam Nut, 3/8 NF	5
15	32146-17	Lock Nut, 1/4 NC	2
16	41704	Ball Joint	1
17	3256-22	Flat Washer, 1/4 SAE	4
18	92-0454	Control Plate	1
19	94-7005	Linkage Control Rod	1
20	3251-3	Machine Screw, #10 NC x 5/8"	2
21	92-0453	Teflon Plate	1
22	3253-17	Lock Washer #10	2
23	3217-26	Hex Nut #10 NC	2
24	32153-11	Locknut	1

*Not Illustrated



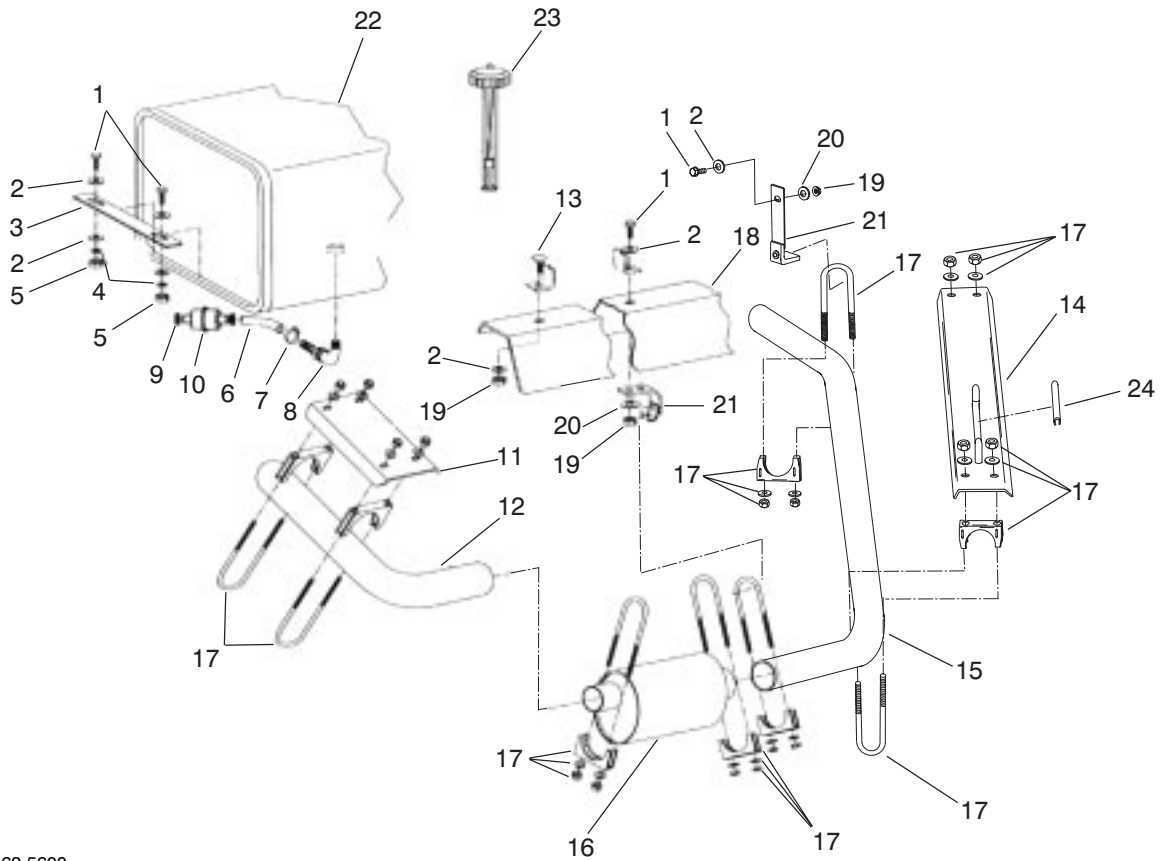
1167

OIL COOLER/AIR CLEANER

#	Part No.	Description	Qty
1	41904	Air Cleaner	1
*	41905	Air Cleaner Filter Element	AR
2	41906	Air Cleaner Mounting Band	1
3	322-3	Cap Screw, 5/16" x 3/4"	4
4	3256-23	Flat Washer	4
5	3217-6	Hex Nut, 5/16" Plated	4
6	41909	Inlet Cap	1
7	94-7280	Air Cleaner Seal Foam	1
8	26392	Hose Clamp	3
9	41908	90° Hose	1
10	95-2169	Inlet Tube ASM	1
11	92-0054	Hose Clamp	1
12	42621	Carb Inlet Elbow	1
13	96609	Hose Clamp	2
14	95-2171	Oil Breather Hose	1
15	43087	Decal Plate ASM	1
*	42958	Decal	1
16	42639	Cooler Bracket ASM	1
17	32153-3	Lock Nut	4

#	Part No.	Description	Qty
18	3256-23	Flat Washer 5/16" S.A.E.	8
19	42071	Armaflex Strip	4
20	42070	Strip - Backing	4
21	322-9	Cap Screw	4
22	94-7007	Oil Cooler	1
23	3253-17	Lock Washer	11
24	32144-87	Self-Tapping Screw	11
25	327-5	Cap Screw	4
26	32153-15	Lock Nut	4
27	32153-7	Lock Nut	4
28	041985	Flat Washer	4
29	94-7010	Engine Mounting Bracket	4
30	41782	Motor Mount	4
31	3213-8	Cap Screw	4
*	42656	Trim Shroud	1
*	340-139	90 10RFS - 1 1/16 SAE	2
*	104-9116	Shroud, Upper	1
*	104-9119	Shroud, Lower	1
*	3234-26	Cap Screw Shroud	2
*	32128-33	Lock Nut Shroud	2

* Not Illustrated

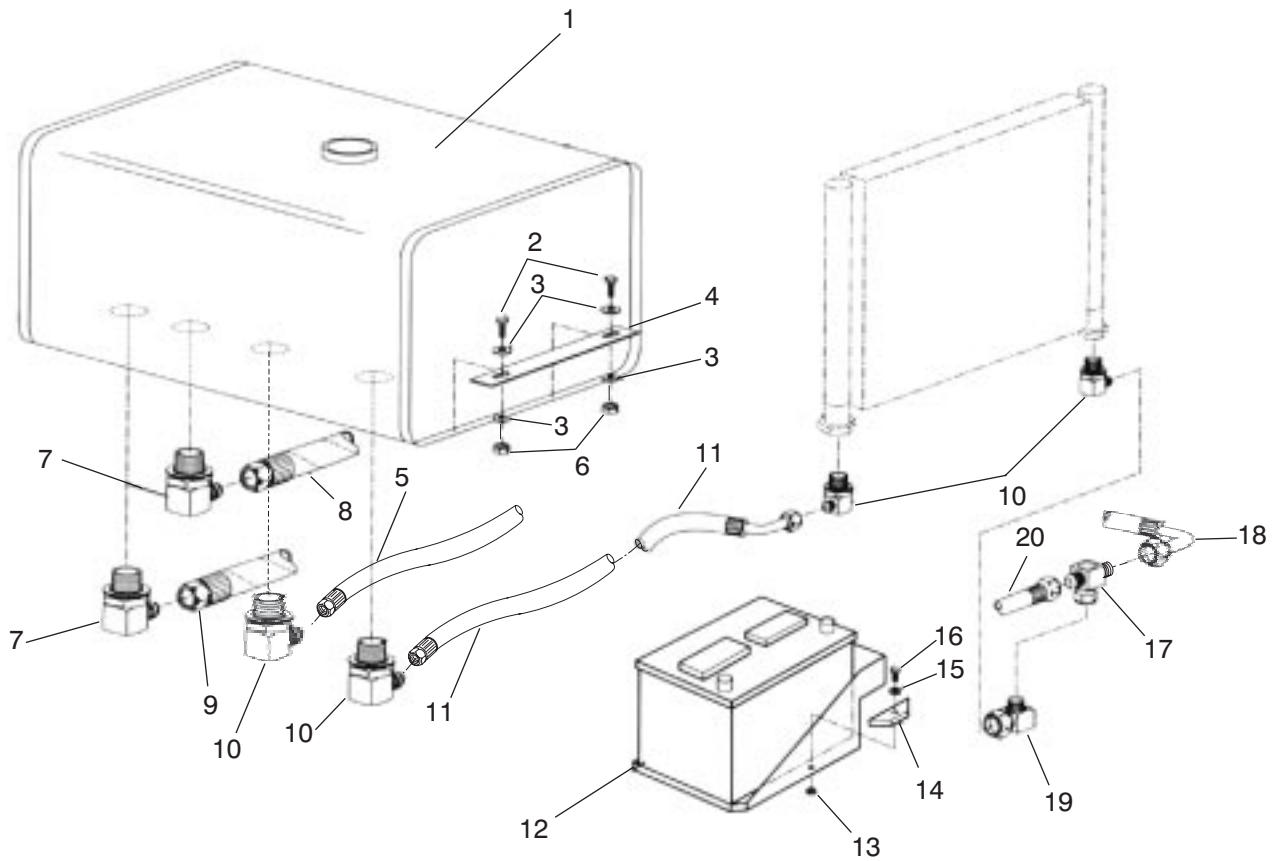


1168-5600

EXHAUST/FUEL TANK

#	Part No.	Description	Qty	#	Part No.	Description	Qty
1	322-5	Cap Screw, 5/16" x 1"	4	13	3230-1	Carriage Bolt	1
2	3256-23	Flat Washer	11	14	104-9135	Heat Shield	1
3	94-7068	Hold Down Strap	2	15	104-9138	Tail Pipe	1
4	3253-4	Lock Washer	4	*	94-7295	Spark Arrester (Optional)	AR
5	32128-20	Hex Nut, 5/16" Plated	4	16	42622	Muffler	1
6	42652	Fuel Hose, 54"	1	17	94485	Clamp ASM	8
*	95-2188	Fuel Line Protection Loom, 12"	1	18	94-7070	Heat Shield	1
7	97406	Hose Clamp	1	19	32128-20	Lock Nut	4
8	9900	Street Elbow	1	20	356303	Special Flat Washer	2
9	97406	Hose Clamp	2	21	41912	Tail Pipe Hanger	2
10	41770	Fuel Filter	1	22	94-8537	Fuel Tank	1
11	94-7189	Heat Shield	1	23	41117	Fuel Indicator	1
12	42623	Exhaust Pipe	1	24	104-9134	Hose Heat Shield	1

*Not Illustrated



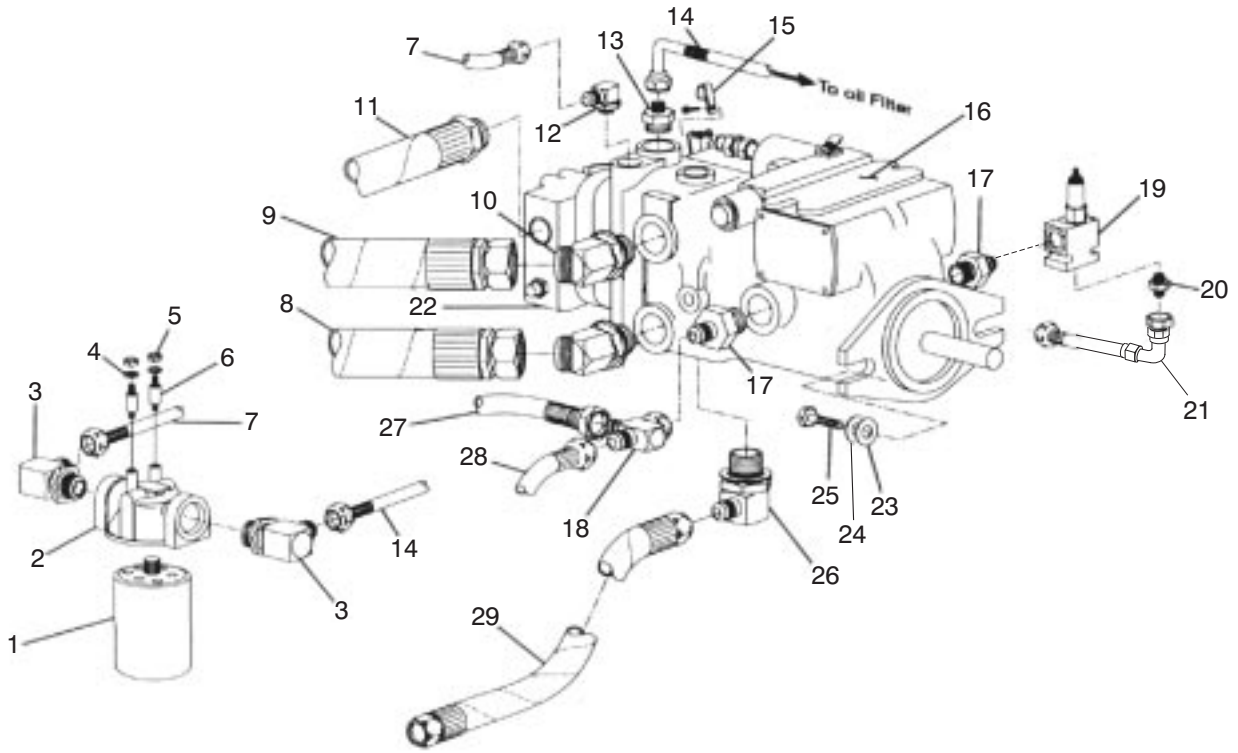
1170-5600

HYDRAULIC TANK/HOSES

#	Part No.	Description	Qty
1	104-9094	Hydraulic Fluid Tank	AR
*	42193	Cap (f/w 94-8536)	AR
*	41779	Hydraulic Strainer (f/w 94-8536)	1
2	322-5	Cap Screw 5/16 x 1	4
3	3256-23	Flat Washer	8
4	94-7068	Hold Down Strap	2
5	104-9199	Hose ASM	1
6	32128-20	Lock Nut	4
7	340-129	Adapter 90°	2
	237-146	O-Ring (f/w 340-129)	1
	340-65	O-Ring (f/w 340-129)	1
8	104-9194	Hose ASM - Ger Pump Suction	1
9	104-9190	Hose ASM - Piston Pump Suction	2
10	340-142	Adapter 90°	2
	237-81	O-Ring (f/w 340-142)	1
	237-145	O-Ring (f/w 340-142)	1

#	Part No.	Description	Qty
11	104-9189	Hose ASM - Tank/Cooler	1
*	94-8608	Hose Cover	2
12	92-3516	Battery - 12 Volt BCI Group 24T	1
*	41792	Power Cable, Battery to Solenoid	1
*	99060	Ground Cable, Battery to Frame	1
*	42617	Ground Cable, Frame to Housing	1
*	94-7092	Power Cable ACC Solenoid	1
*	106-1239	Terminal Battery Cables (QR) Set	1
13	3217-6	Hex Nut, 5/16 Plated	1
14	66-2490	Battery Retainer	1
15	3256-3	Flat Washer	1
16	322-9	Cap Screw, 5/16 x 1-3/4	1
17	340-167	Tee	1
*	237-151	O-Ring (f/w 340-167)	2
18	104-9184	Hose ASM - Valve/Cooler	1
19	340-160	Adapter 90°	1
*	239-151	O-Ring (f/w 340-160)	1
20	104-9186	Hose	1

* Not Illustrated

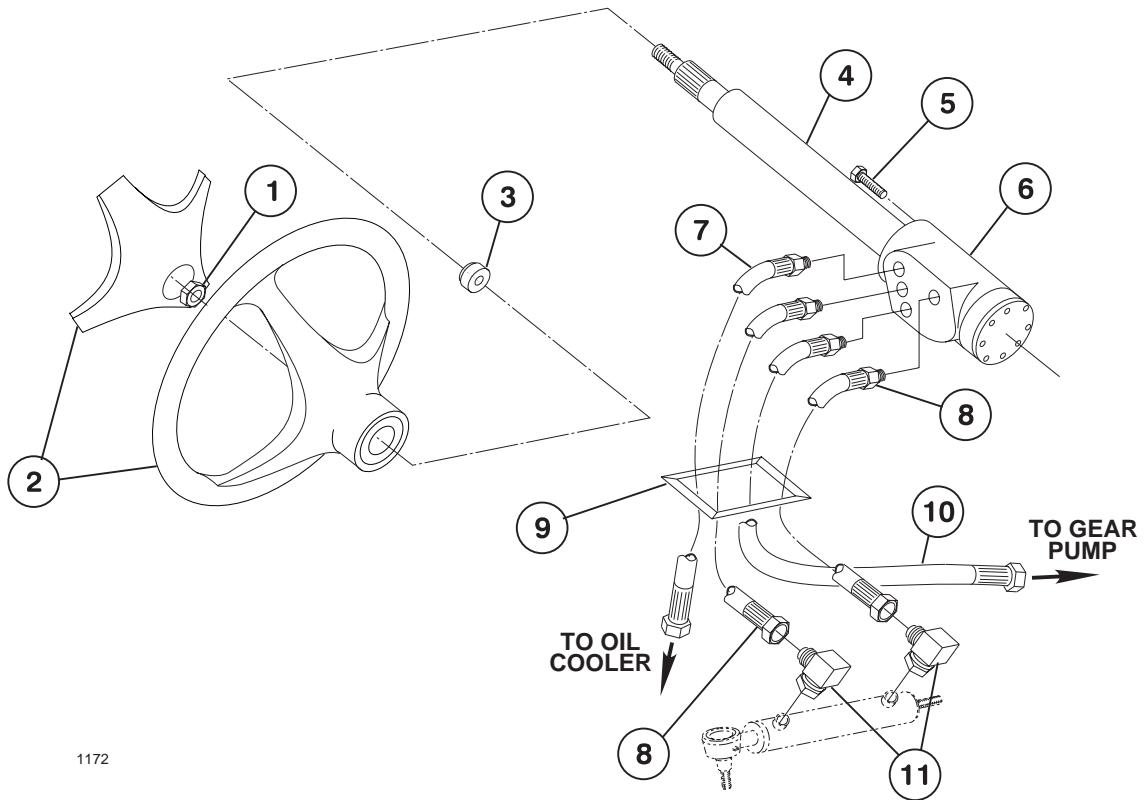


1171-5600

HYDRAULIC PUMP AND HOSES

#	Part No.	Description	Qty	#	Part No.	Description	Qty
1	86-3010	Filter Element	1	16	93-6491	Piston Pump	1
2	86-3000	Filter Head	1	17	104-9168	Adapter 1-1/16 O-Ring 3/4 O-Ring	2
3	340-139	Adpt 90° 1-1/16 O-Ring x 1ORFS	2		237-79	O-Ring (f/w 104-9168)	1
	237-81	O-Ring (f/w 340-139)	1		237-81	O-Ring (f/w 104-9168)	1
	237-151	O-Ring (f/w 340-139)	1	18	340-147	Tee	1
4	3256-22	Lock Washer	2		237-151	O-Ring (f/w 340-147)	2
5	3217-5	Hex Nut, 1/4"	2	19	94-7012	Hydraulic Relief Valve	1
6	94-7188	Filter Isolation Mount	2	*	94-8763	Cartridge	AR
7	104-9192	Hose ASM Filter/Charge Port	1	*	94-8764	Seal Kit	AR
8	104-9196	Hose ASM Pump/Motor	1	20	340-155	Adapter 3/4 O-Ring x 1ORFS	1
9	104-9195	Hose ASM Pump/Motor	1		237-79	O-Ring (f/w 340-155)	1
10	104-3509	Adapter 45° 1-5/16 O-Ring x 1 7/16 ORFS	2		237-151	O-Ring (f/w 340-155)	1
	340-65	O-Ring (f/w 104-3509)	1	21	104-9198	Hose ASM Pump Drain/Return	1
	237-146	O-Ring (f/w 104-3509)	1	22	93-6492	Gear Pump w/Flow Divider	1
11	104-9194	Hose ASM - Gear Pump Suction	1	23	3256-6	Flat Washer	2
	237-146	O-Ring (f/w 104-9194)	1	24	3253-7	Lock Washer	2
12	340-17	Adapter 90° 7/8 O-Ring x 1ORFS	1	25	325-6	Cap Screw	2
	237-80	O-Ring (f/w 340-17)	1	26	340-129	Adapter 90°	1
	237-151	O-Ring (f/w 340-17)	1		340-65	O-Ring (f/w 340-129)	1
13	104-9178	Adapter 1-5/16 O-Ring x 13/16 ORFS	1		237-146	O-Ring (f/w 340-129)	1
	237-146	O-Ring (f/w 104-9178)	1	27	104-9197	Hose ASM Motor Drm/Pump Drm	1
	237-30	O-Ring (f/w 104-9178)	1	28	104-9199	Hose ASM Pump Drm/Return	1
14	104-9191	Hose ASM Pump Charge/Filter	1	29	104-9190	Hose ASM Piston Pump Suction	1
15	2412-91	R-Clamp	1				

* Not Illustrated



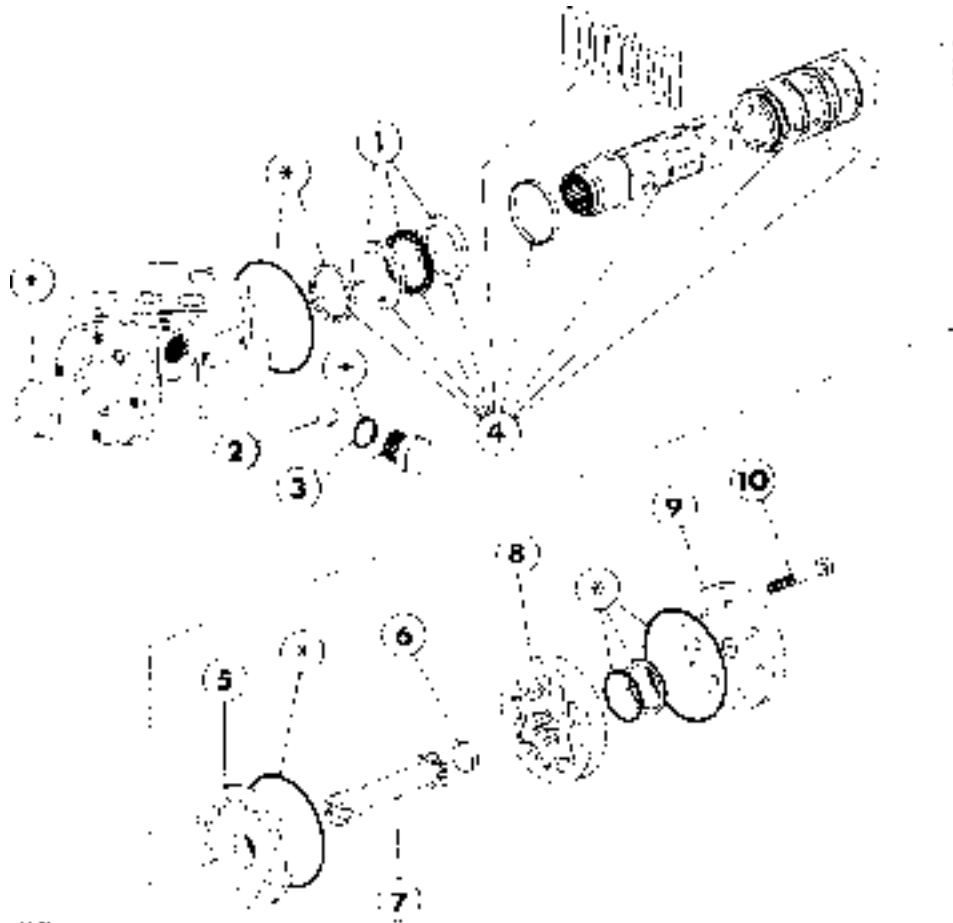
1172

STEERING GEAR

#	Part No.	Description	Qty
1	92-3513	Nut	1
2	94-3500	Steering Wheel ASM	1
	93-5212	Steering Wheel	1
	88-3870	Steering Wheel Insert	1
3	93-5439	Seal - Steering	1
4	94-8792	Steering Column	1
5	48-7620	Cap Screw - Metric	4
6	92-3502	Steering Control Unit	1
*	92-3849	Seal Kit	AR

#	Part No.	Description	Qty
7	104-9186	Hose ASM - Steer Valve/Cooler	1
	237-42	O-Ring (f/w 104-9186)	1
8	104-9188	Hose ASM - Steer Valve/Cylinder	2
	237-42	O-Ring (f/w 104-9188)	1
9	95-2193	Floor Trim	1
10	104-9185	Hose ASM	
		Gear Pump/Steering Valve	1
	237-42	O-Ring (f/w 104-9185)	1
*	94-8607	Hose Cover	1
11	340-77	90 - 9/16 SAE - 11/16 ORFS	2
	237-22	O-Ring (f/w 340-77)	1
	237-42	O-Ring (f/w 340-77)	1

* Not Illustrated

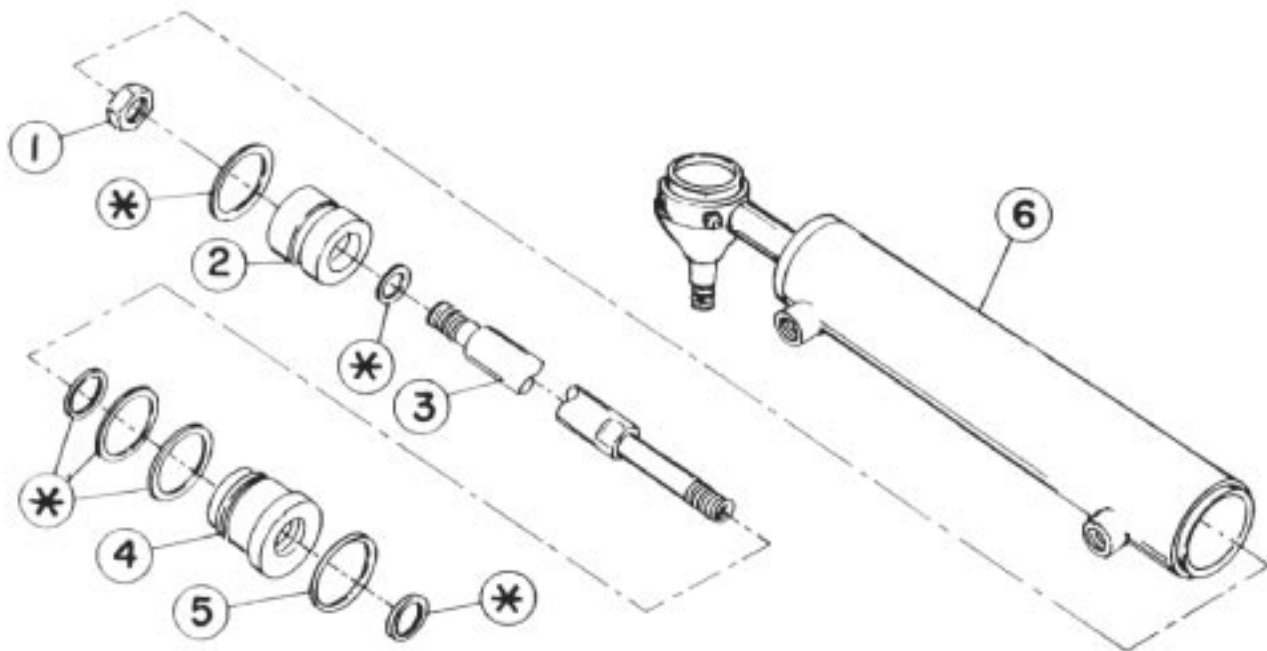


STEERING CONTROL UNIT 92-3502

#	Part No.	Description	Qty
1	92-3839	Bearing Kit (f/w 92-3840)	1
2	92-3842	Check Ball	1
3	92-3841	Plug/O-Ring	1
4	92-3840	Control Parts ASM	1
5	92-3843	Wear Plate	1
6	92-3845	Spacer	1

#	Part No.	Description	Qty
7	92-3844	Drive	1
8	92-3846	Gerotor	1
9	92-3847	End Cap	1
10	92-3848	Cap Screw	1
*	92-3849	Seal Kit - Includes all Parts Indicated by*	AR

* Not Illustrated



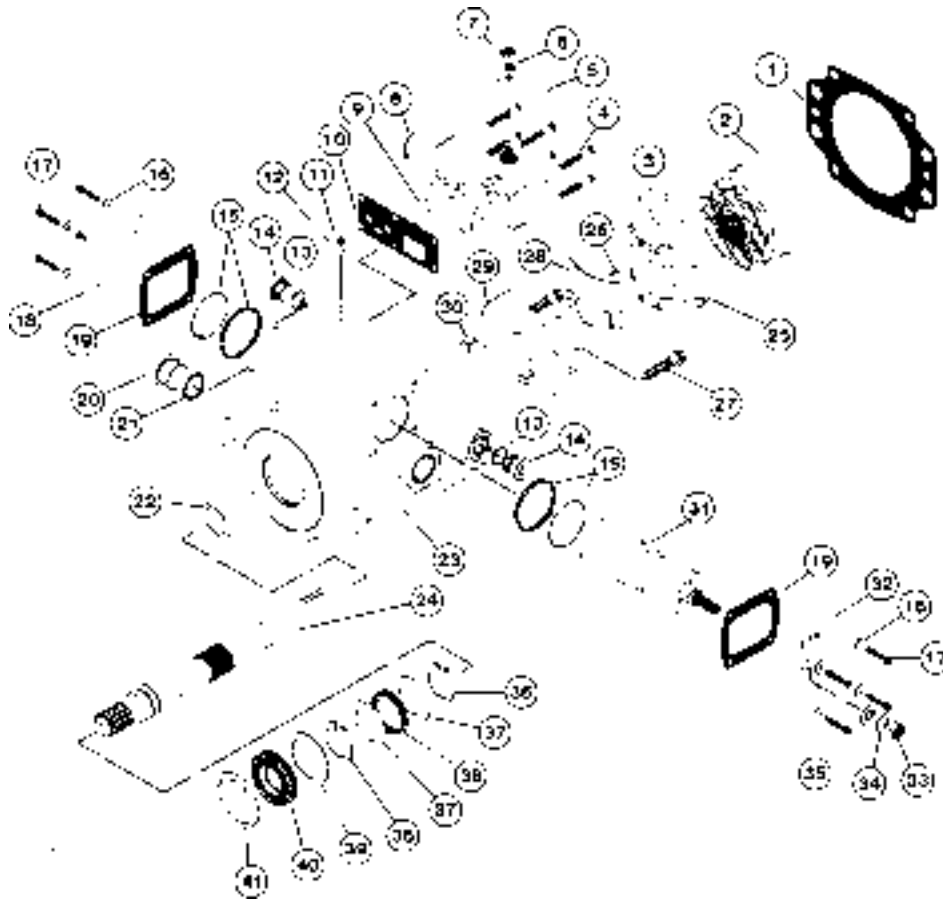
HYDRAULIC CYLINDER - 93-6510

#	Part No.	Description	Qty
1	92-3986	Nut	1
2	92-3988	Piston	1
3	94-8643	Shaft	1
4	92-3987	Head	1

#	Part No.	Description	Qty
5	92-3989	Retaining Ring	1
6	94-8644	Barrel w/Clevis & Parts	1
*	92-3992	Repair Kit	AR

*Not Illustrated

* Parts in Repair Kit # 92-3992



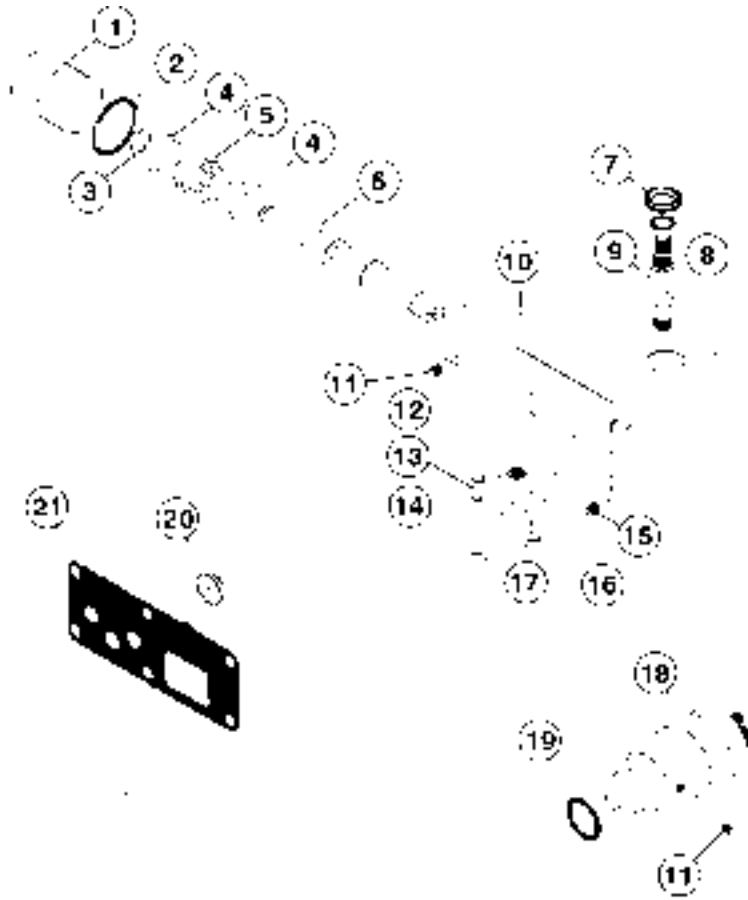
PISTON PUMP ASM (93-6491)

	#	Part No.	Description	Qty		#	Part No.	Description	Qty
**	1	93-6321	Housing Gasket	1		22	93-6342	Bearing (Press Fit)	1
	2	93-6322	Rotating Kit ASM - 2.48 ³ /r	1		23		Housing ASM	
	3	93-6323	Servo Piston Follower	1				(Ref. #11, 12, 15, 22, 26-30)	1
	4	93-6324	Cap Screw	6		24	93-6344	Drive Shaft, 15 Tooth w/9 Tooth	1
	5	93-6325	Control Arm	1		25	93-6345	Camplate	1
	6	93-6326	Lock Washer	1		26	93-6346	Button Head Cap Screw	1
	7	93-6327	Nut	1		27	93-6347	Cap Screw	2
	8	93-6306	Servo Control ASM	1		28	93-6348	Bushing	1
	9	100-6701	Supply Orifice	3		29	93-6349	Cradle Sub-ASM	1
**	10	93-6330	Control Housing Gasket	1		30	93-6350	Dowel Bushing	2
**	11	93-6331	Plug Sub-ASM	1		31	93-6351	Servo Piston ASM	1
**	12	93-6332	O-Ring, 1.63mm Dia. x 6.1 mm	1		32	93-6352	Cover Plate	1
**	13	93-6333	O-Ring, 2.21mm Dia. x 16.36 mm	2		33	93-6353	Jam Nut	1
	14	93-6334	Plug	2		34	93-6354	Washer	1
**	15	93-6335	Seal Sub-ASM	2	**	35	93-6355	Seal Washer	1
	16	93-6336	Washer	8	**	36	93-6356	Retaining Ring	2
	17	93-6337	Cap Screw	8		37	93-6357	Thrust Race	2
	18	93-6338	Cover Plate	1		38	93-6358	Thrust Bearing	1
**	19	93-6339	Cover Plate Gasket	2		39	93-6359	Washer	1
	20	93-6340	Plug	1	**	40	105-3331	Shaft Seal	1
**	21	93-6341	O-Ring, 2.95 mm Dia. x 23.47 mm	2	**	41	93-6360	Retaining Ring	1
					*		94-3039	Seal Kit (Not Shown)	A/R

Order replacement parts from your Authorized TORO Distributor.

* Not illustrated

** Part included in 94-3039 Seal Kit.



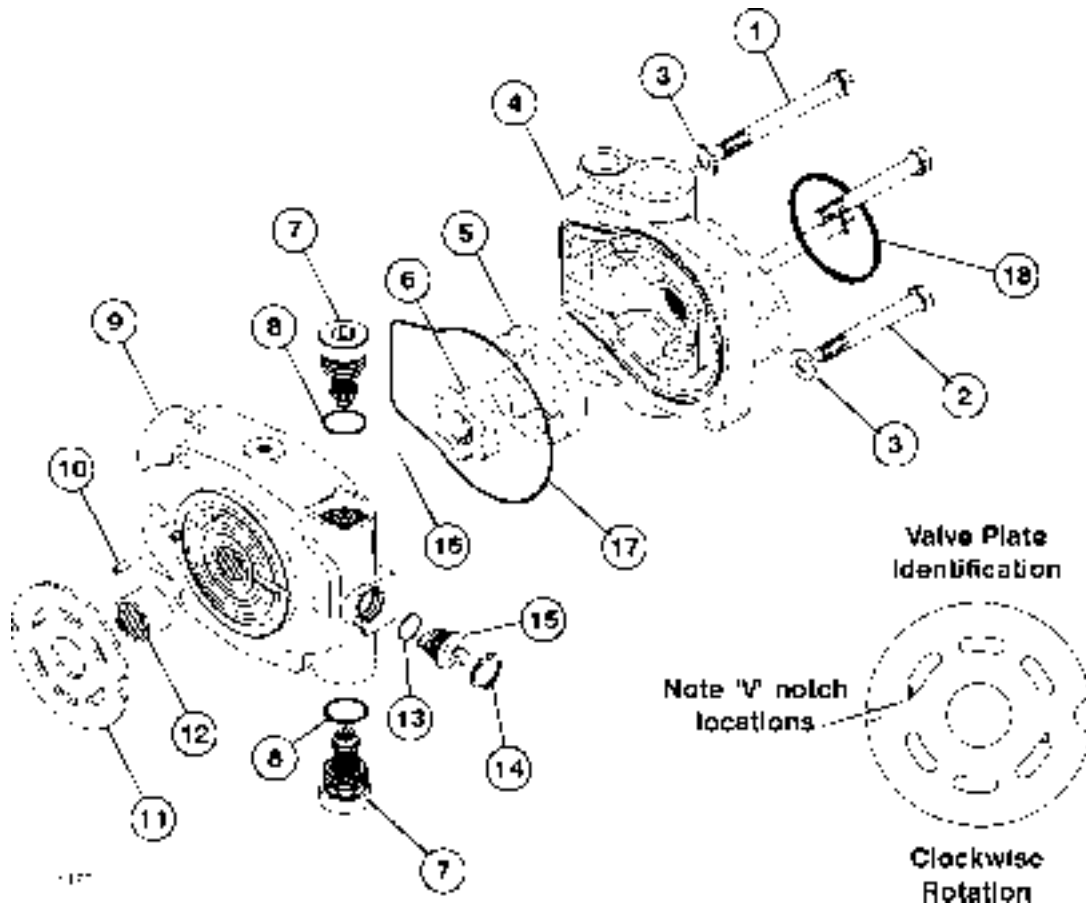
MANUAL SERVO CONTROL ASM (93-6306)

#	Part No.	Description	Qty	
1	93-6289	Plug	1	
2	93-6290	O-Ring	1	
3	93-6291	Retaining Ring	1	
4	93-6292	Spring Retainer	2	
5	93-6293	Spool Centering Spring	1	
6	93-6294	Valve Spool	1	
**	7	93-6295	Wiper Seal	1
**	8	93-6296	O-Ring	1
9	93-6297	Input Shaft	1	
10	93-6298	Control Housing	1	
*	94-3039	Seal Kit (Not Shown)	AR	

#	Part No.	Description	Qty
11	93-6313	Set Screw	2
12	93-6300	Bell Crank	1
13	93-6301	Dowel Pin	1
14	93-6302	Feedback Link	1
15	93-6303	Set Screw	1
16	93-6304	Headed Pin (Press Fit)	1
17	93-6305	Retaining Ring	1
18	94-3043	Neutral Lockout Switch Kit	1
19	93-6314	O-Ring	1
20	100-6701	Supply Orifice	1
21	94-3039	Control Housing Gasket	1

** Part included in 94-3039 Seal Kit.

*Not Illustrated



CHARGE PUMP ASM

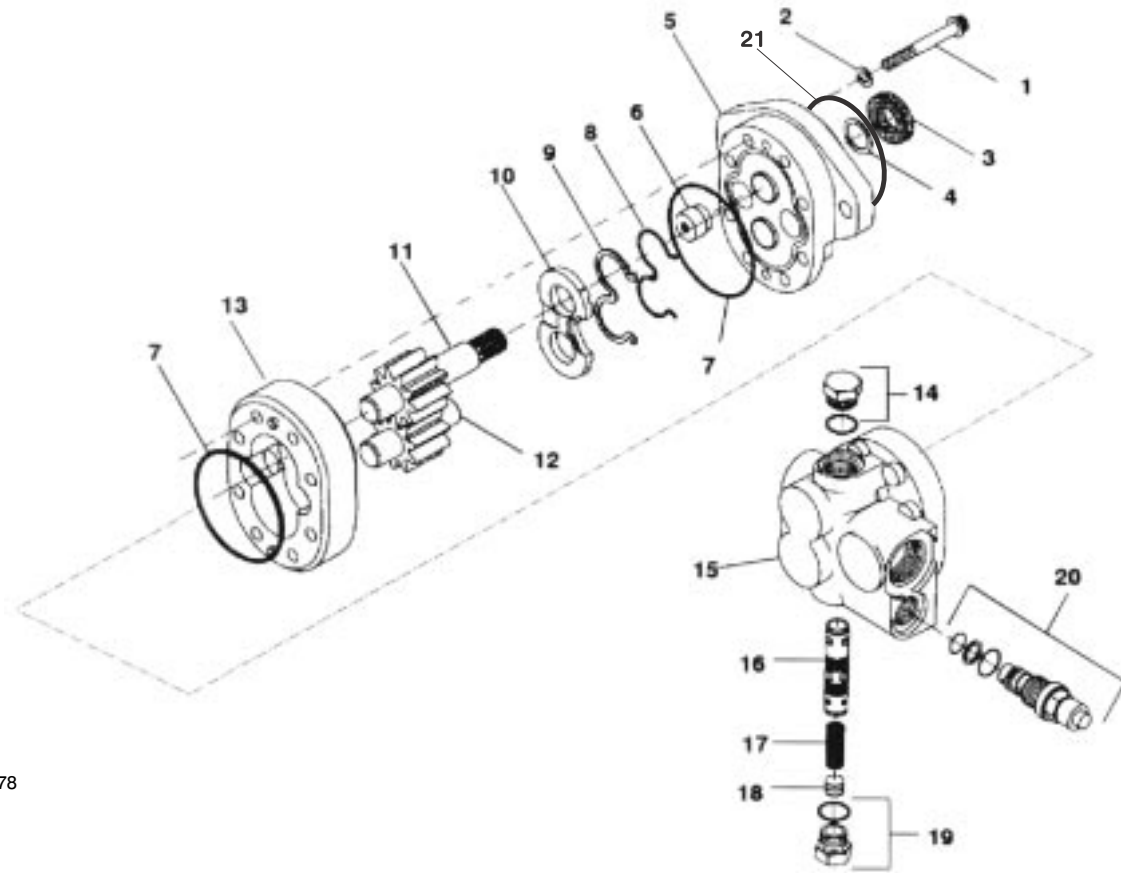
#	Part No.	Description	Qty
1	93-6361	Cap Screw, 3/8-16 x 101.6 mm	2
2	93-6362	Cap Screw, 3/8-16 x 88.9 mm	2
3	93-6363	Washer	3
4	95-2110	Charge Pump Adapter ASM	1
5	93-6364	Outer Ring Gerotor	1
6	93-6365	Inner Ring Gerotor	1
7	93-6366	Relief Valve	1
**	8	O-Ring	2
9	93-6368	Backplate ASM (Ref. #10,12)	1

#	Part No.	Description	Qty
10	93-6369	Roll Pin	1
11	93-6370	Valve Plate	1
12	93-6371	Bearing	1
13	93-6372	Quad Ring, 1.59 θ mm x 15.9 mm	1
**	14	Retaining Ring	1
15	93-6374	Dump Valve Actuator	1
16	93-6375	Key	1
**	17	Molded O-Ring	1
**	18	O-Ring	1
*	94-3039	Seal Kit (Not Shown)	AR

** Part included in 94-3039 Seal Kit.

* Not Illustrated

Order replacement parts from your Authorized TORO Distributor.



1178

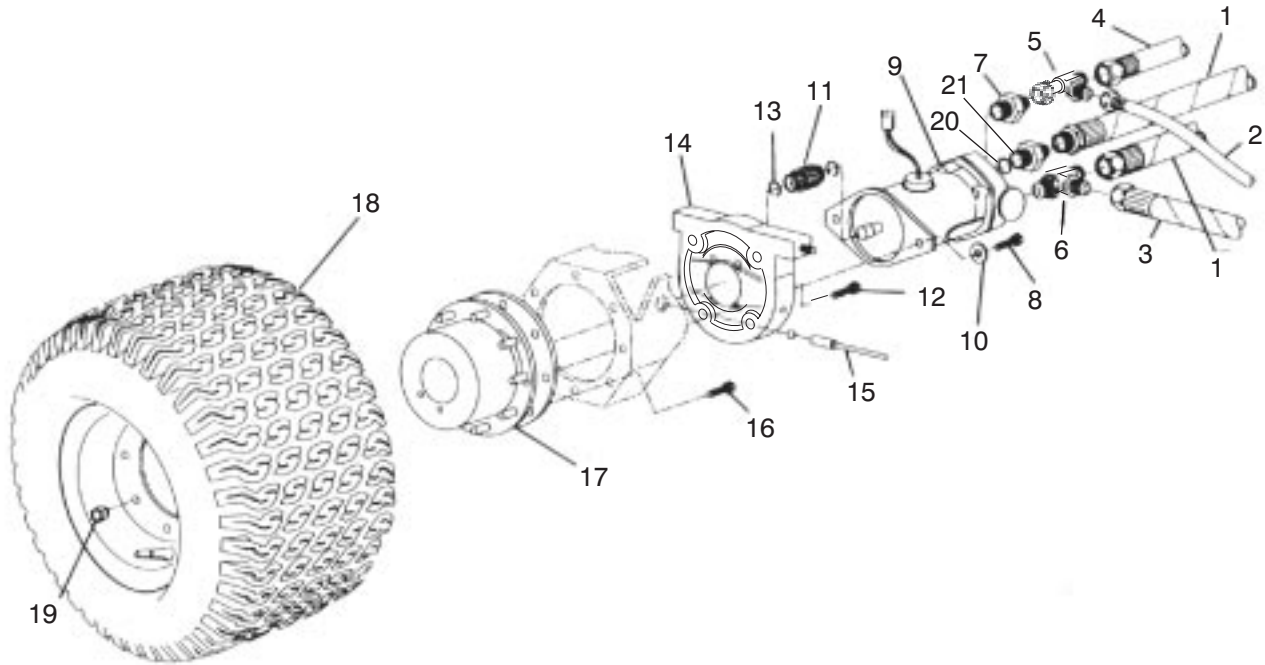
GEAR PUMP ASM (93-6492)

#	Part No.	Description	Qty
1	93-6388	Bolt	8
2	93-6389	Washer	4
3	93-6387	Shaft Seal	1
†4		Washer	1
†5		Front Plate ASM	1
†6		Plug	1
†7		O-Ring	2
†8		Bearing Seal	1
†9		Backup Gasket	1
†10		Wear Plate	1

#	Part No.	Description	Qty
†11		Spline Drive Gear ASM	1
†12		Idle Gear ASM	1
†13		Body	1
14	93-6414	Plug/O-Ring ASM	1
15	93-6377	Flow Divider Backplate	1
16	93-6420	Flow Divider Spool	1
17	93-6421	Spring	1
18	93-6422	Shim	A/R
19	93-6423	Plug/O-Ring	1
20	93-6416	Relief Valve ASM	1
21	60-3520	O-Ring	1
*	95-2109	Seal Kit (Ref. #3,4,6-10)	1

† Part is not serviced separately.

*Not Illustrated

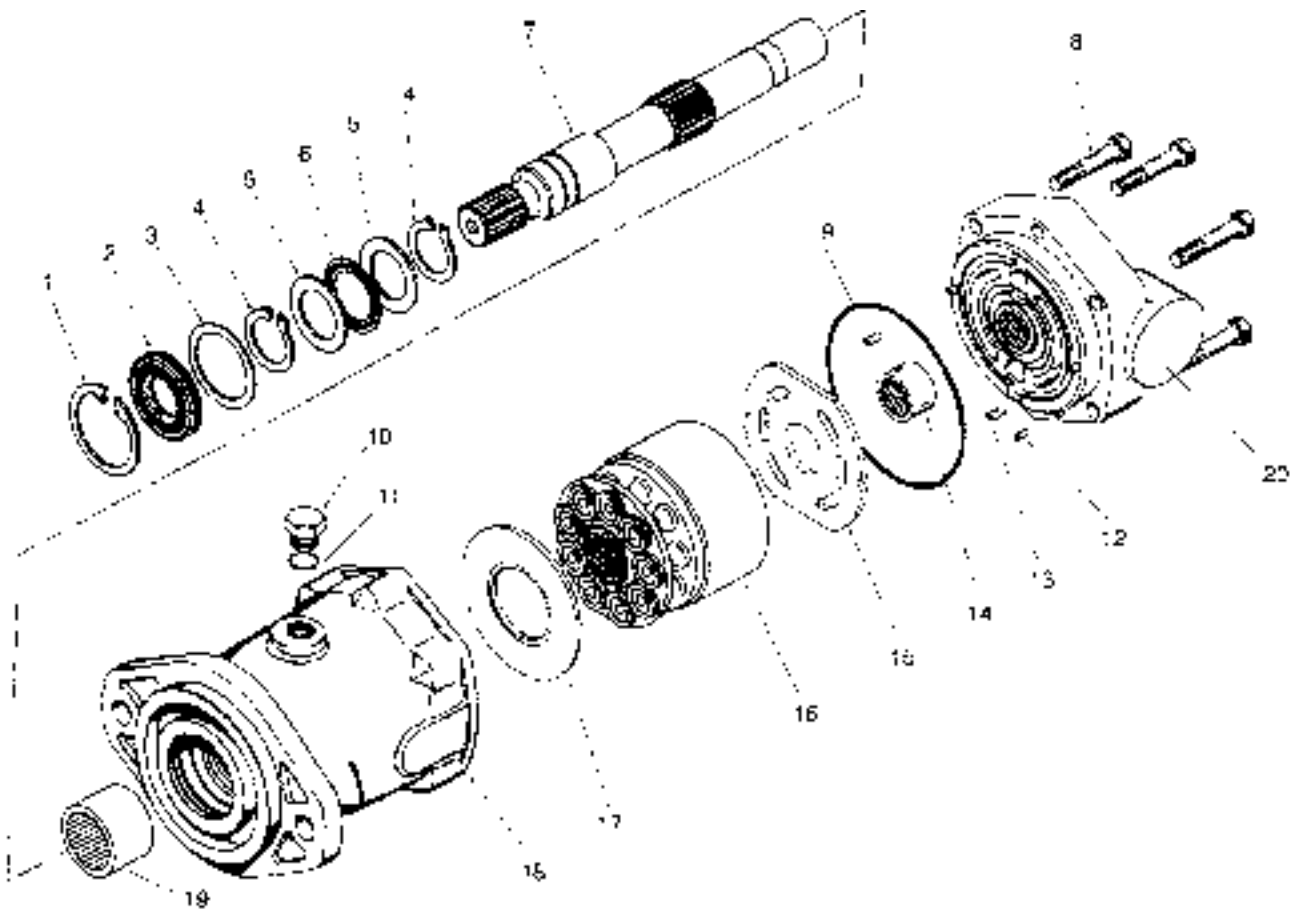


1179-5600

WHEEL DRIVE/MOTOR

#	Part No.	Description	Qty	#	Part No.	Description	Qty
1	104-9187	Hose ASM Motor to Motor	2	12	33106-090	Cap Screw	8
2	104-9197	Hose ASM Motor Drain/Pump Drn	1	13	93-7972	Snap Ring	4
3	104-9195	Hose ASM Pump to Motor	1	14	100-3069	Brake ASM - RH	1
*	104-9196	Hose ASM - LH	1	*	100-3070	Brake ASM - LH	1
4	104-9193	Hose ASM Motor Drain	1	15	93-6594	Brake Cable ASM - RH	1
5	340-104	Tee	1	*	93-6593	Brake Cable ASM - LH	1
	237-30	O-Ring (f/w 340-104)	2	16	33106-030	Cap Screw	12
6	104-3795	Tee O-Ring	2	17	105-4500	Planetary Drive	2
	237-146	O-Ring (f/w104-3795)	1	18	93-6495	Rear Wheel ASM	2
	340-65	O-Ring (f/w 104-3795)	2		93-6152	Rear Tire	2
7	340-4	Adapter	1		93-6496	Wheel Rim	2
	237-79	O-Ring (f/w 340-4)	1	19	3296-19	Nut - Nylock	16
	237-30	O-Ring (f/w 340-4)	1	*	3256-26	Flat Washer	16
8	33116-120	Cap Screw	4	20	237-146	O-Ring (f/w 340-91)	1
9	93-6489	Hydraulic Motor - RH	1	21	340-91	Adapter	2
*	93-6488	Hydraulic Motor - LH	1		237-145	O-Ring (f/w 340-91)	1
10	3217-26	Flat Washer	4				
11	100-3046	Splined Brake Shaft	2				

* Not Illustrated

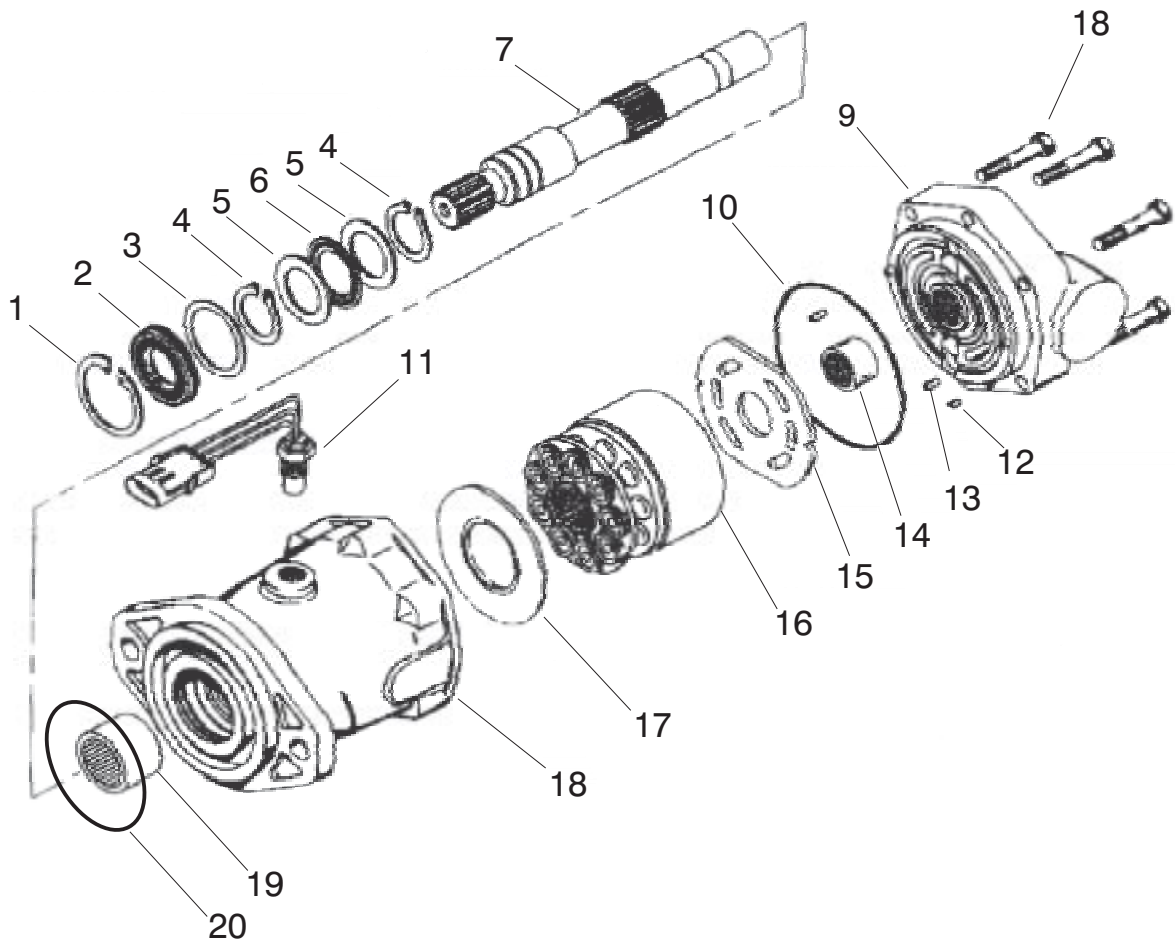


L.H. HYDRAULIC MOTOR ASM NO. 93-6488

#	Part No.	Description	Qty
1	76-7010	Ring - Retaining	1
2	105-3331	Seal - Shaft	1
3	94-3007	Washer	1
4	76-7000	Ring - Retaining	2
5	76-6950	Race - Thrust	2
6	76-6960	Bearing - Thrust	1
7	76-3004	Shft - Drive, Splined	1
8	94-3002	Screw - HH	6
9	76-6980	O-Ring	1
10	94-3009	ASM - Plug (Incl. #11)	1

#	Part No.	Description	Qty
11	76-6980	O-Ring	1
12		Pin - Dowel	1
13		Pin - Dowel	3
14		Bearing - Needle	1
15	94-3003	Plate - Valve	1
16	76-6910	Kit - Rotating	1
17	76-6970	Insert - Camplate	1
18	95-2082	Housing (Incl. #19)	1
19		Bearing - Needle	1
20	95-2081	Backplate ASM (Incl. #12-14)	1
21*	237-166	O-Ring	1

*Not Illustrated



1181-5600

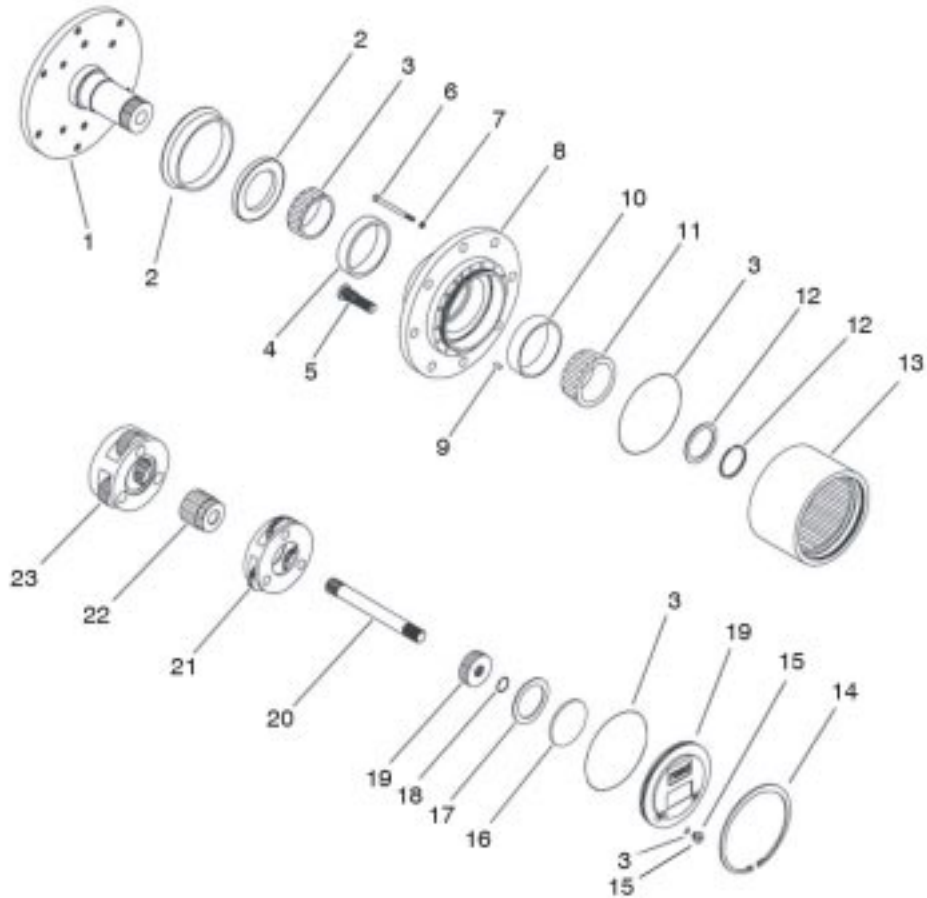
R.H. HYDRAULIC MOTOR ASM NO. 93-6489 W/SENSOR

#	Part No.	Description	Qty
1	76-7010	Ring - Retaining	1
2	94-3008	Seat - Shaft	1
3	94-3007	Washer	1
4	76-7000	Ring - Retaining	2
5	76-6950	Race - Thrust	2
6	76-6960	Bearing - Thrust	1
7	94-3004	Shaft - Drive, Splined	1
8	94-3002	Screw - HH	6
9	95-2081	Backplate ASM (Incl. #12-14)	1
10	76-6980	O-Ring	1

#	Part No.	Description	Qty
11	94-3010	Sensor - Speed Pick-up	1
12		Pin - Dowel	1
13		Pin - Dowel	3
14		Bearing - Needle	1
15	94-3003	Plate - Valve	1
16	76-6910	Kit - Rotating	1
17	76-6970	Insert - Camplate	1
18	95-2083	Housing (Incl. #19)	1
19		Bearing - Needle	11
20	237-166	O-Ring	1

* Not Illustrated

Order replacement parts from your Authorized TORO Distributor.

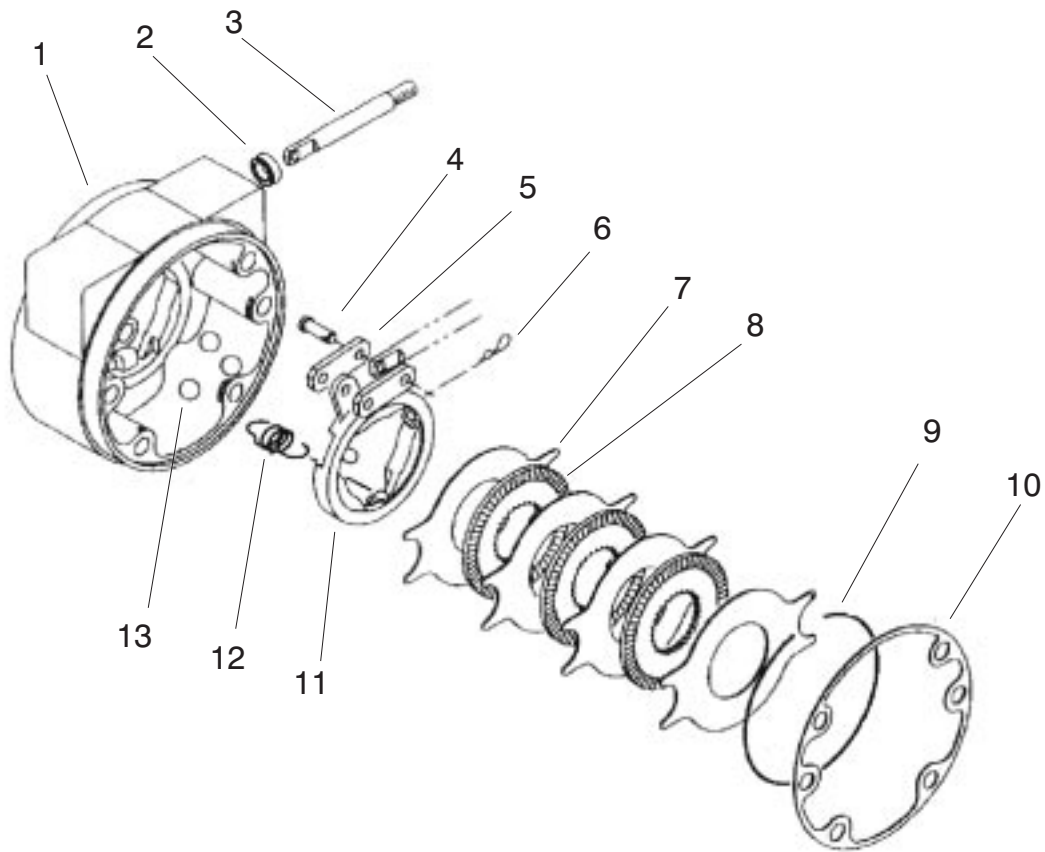


1182-1-5600

PLANETARY DRIVE ASM - (105-4500-03)

#	Part No.	Description	Qty	#	Part No.	Description	Qty
1†		Spindle	1	13	105-8113	Ring, Gear	1
2	105-8122	Boot, Seal	1	14	105-8132	Retaining Ring	1
3†	105-8137	Kit, Seal	1	15	237-78	Plug	2
†		O-Ring	1			O-Ring	1
†		Seal, Oil	1	16	105-8133	Plug	1
†		O-Ring	2	17	105-8123	Washer	1
†		O-Ring	2	18	105-8131	Retaining Ring	1
4	105-8119	Cup, Bearing	1	19	105-8114	Primary Gear	1
5	105-8124	Wheel, Stud	8	20	105-8115	Drive Shaft	1
6	105-8125	Socket Head Bolt	16	21	105-8129	Carrier ASM, Primary	1
7	3253-18	Washer	16	22	105-8139	Gear, Secondary	1
8†		Housing	1	23	105-8130	Carrier ASM, Secondary	1
9	105-8121	Dowel Pin	1				
10	105-8117	Cup, Bearing	1				
11	105-8118	Cone, Bearing	1				
12	105-8136	Parts Kit	1				
†		Snap Ring	1				
†		Bearing, Shim 2.9mm	1				
†		Bearing, Shim 2.8mm	1				
†		Bearing, Shim 2.7mm	1				
†		Bearing, Shim 2.6mm	1				
†		Bearing, Shim 2.5mm	1				
†		Bearing, Shim 2.4mm	1				

* Not Illustrated



1183

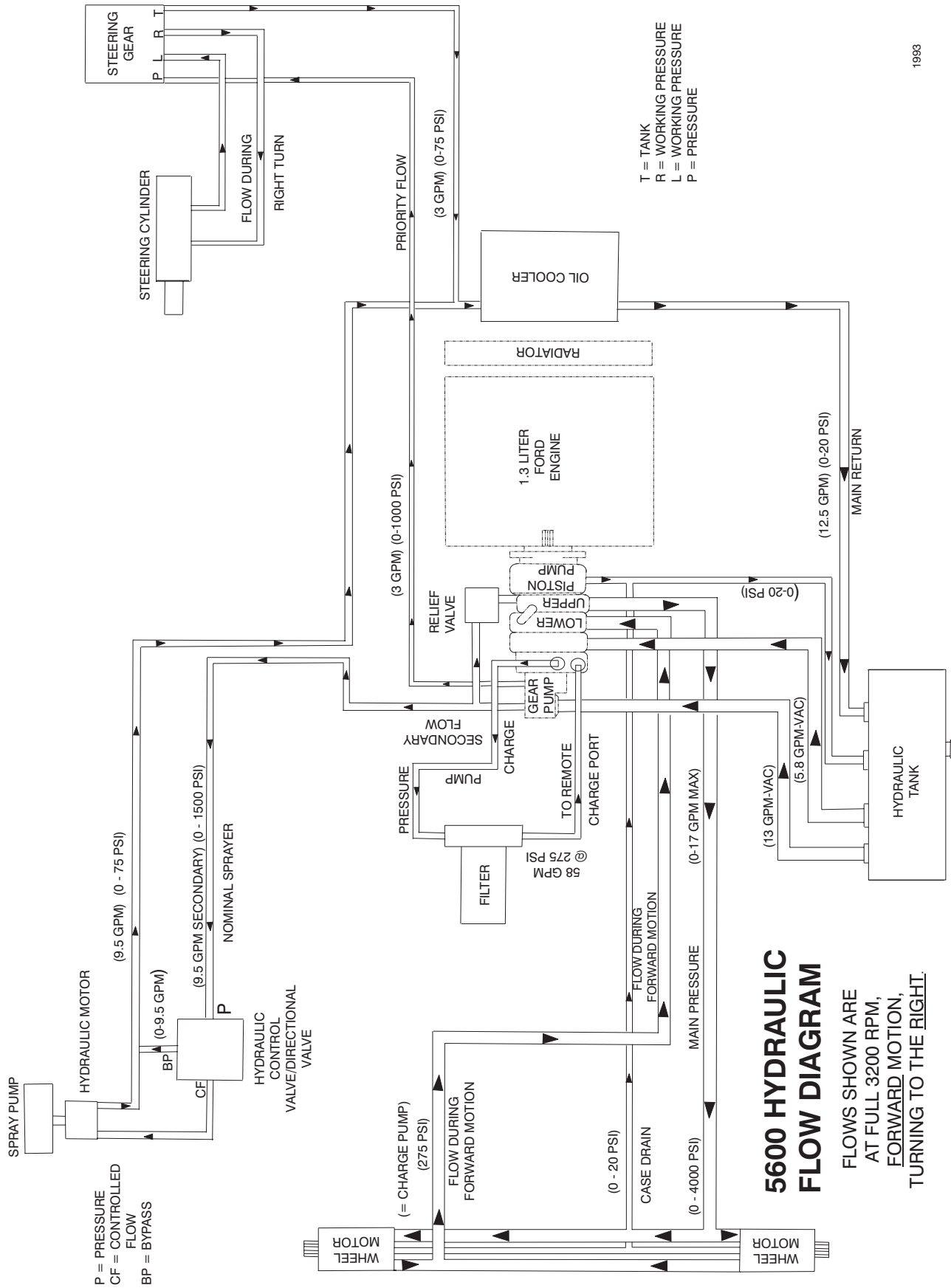
BRAKE ASM (RH SHOWN)

#	Part No.	Description	Qty	#	Part No.	Description	Qty
†1	100-3069	Housing - Brake, LH	1	8	104-4278	Disc - Rotating	3
†*	100-3070	Housing - Brake, RH	1	9	93-7976	Ring - Retaining	1
2	93-7977	Seal	1	10	93-7984	Gasket	1
3	93-7978	Rod - Pull	1	11	104-4280	Actuator - RH	1
4	93-7983	Pin - Clevis	2	*	104-4279	Actuator - LH	1
5	93-7980	Link	2	12	93-7987	Spring - Extension	3
6	93-7979	Pin - Cotter, Hair	2	13	93-7985	Ball	3
7	93-7986	Disc - Stationary	4	14	353-990	Plug	2

† Part is not serviced separately.

* Not Illustrated

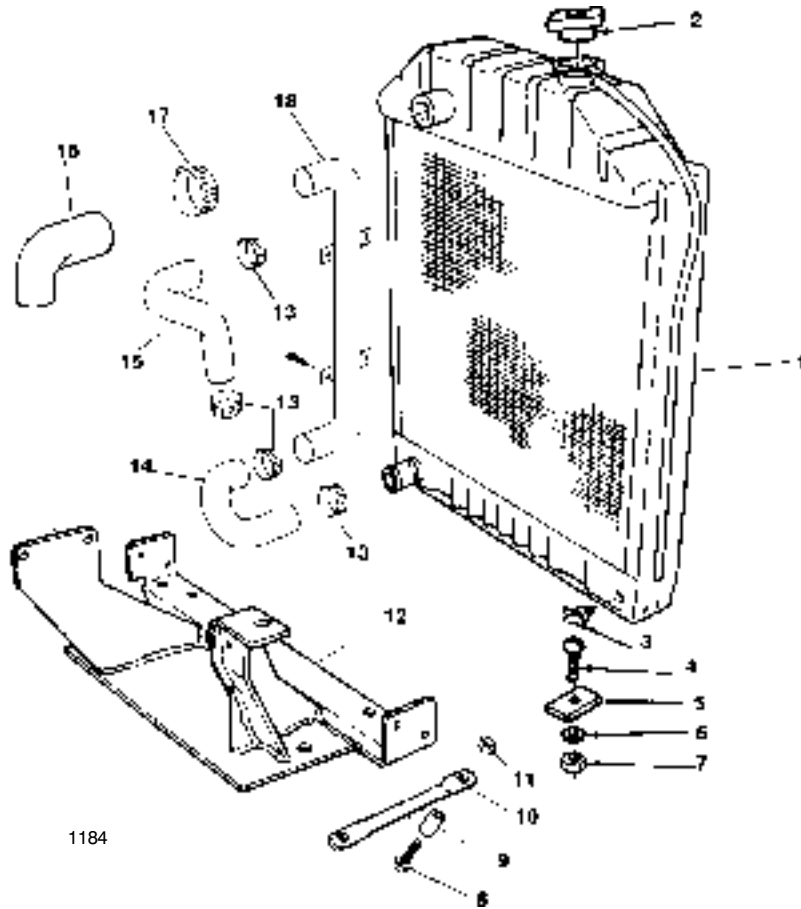
Order parts from your Authorized TORO Distributor.



T = TANK
 R = WORKING PRESSURE
 L = WORKING PRESSURE
 P = PRESSURE

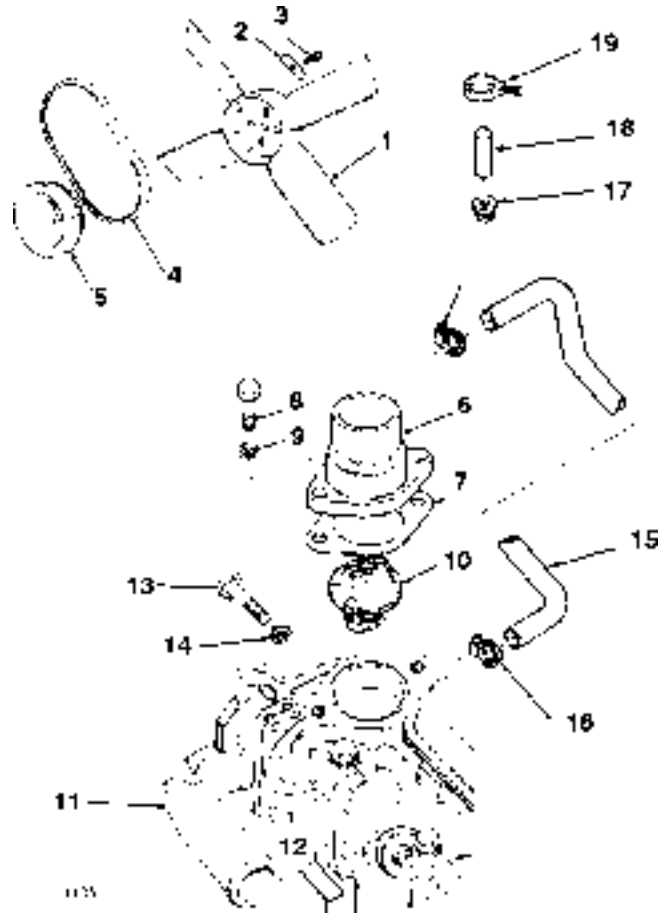
1993

ALL PRESSURES AND FLOW RATES SHOWN ARE NOMINAL, AFTER INITIAL WARM UP



RADIATOR ASM

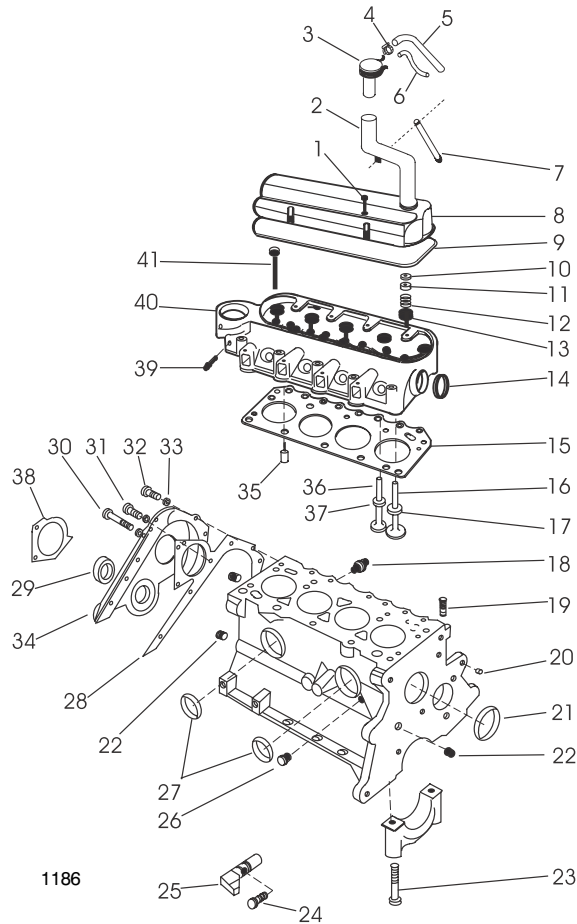
#	Part No.	Description	Qty	#	Part No.	Description	Qty
1	E9JL-8005-AA	Radiator ASM	1	10	E9JL-8046-AA	Brace - RH	1
2	E2NN-8100-AA	Radiator Cap 7 PSI	1	11	33770-S2	Nut - 5/16-18	2
3	8A-8115	Drain Cock	1	12	E8JL-5019-BA	Support	1
4	383465-S101	Bolt-Radiator to Front Support	2	13	B7AZ-8287-C	Hose Clamp 1.75	4
5	7C-8125-A	Insulator	2	14	E8JL-8286-AA	Lower Hose	1
6	3828367-S100	Washer - 7/16 Flat	2	15	E9JL-8286-AA	Water Pump Inlet Hose	1
7	382400-S2	Nut - 7/16-14	2	16	E5JL-8260-AA	Upper Radiator Hose	1
8	588111-S2	Bolt - 5/16-18 x 1.5 Carriage	2	17	D9AZ-8287-F	Hose Clamp 2.25	1
9	E9JL-10A370-AA	Spacer - Brace to Radiator	2	18	E8JL-8A521-BA	Tube - Radiator to Water Pump	1



FAN, WATER PUMP & THERMOSTAT ASM

#	Part No.	Description	Qty
1	E7JL-8600-AA	14.5" 4 Blade Fan	1
2	E5JL-8N603-AA	Fan Strap	1
3	N605905-S2	Bolt	1
4	E9JL-8620-A2A	Belt	1
5	F1JL-8509-AC	2 Groove Water Pump Pulley	1
6	D7JL-8594-AA	Vertical Wtr Outlet Connection	1
7	84BF8255AA	Water Outlet Gasket	1
8	E602187-S72	Bolt	2
9	E630173-S71M	Washer	2

#	Part No.	Description	Qty
10	D4PZ-8575-A	Thermostat	1
11	92BX-8591-AA	Water Pump	1
12	89BM-8507-AA	Water Pump Gasket	1
13	E600113-S72	Bolt	3
14	E832108-S71M	Washer	3
15	E9JL-8548-CA	By-Pass Hose	1
16	383522-S	Hose Clamp	2
17	E6JL-8A574-AA	Plug, M22	1
18	C9AZ-9C492-A	Water Outlet Nipple Cap	1
19	C9AZ-8287-A	Hose Clamp	2



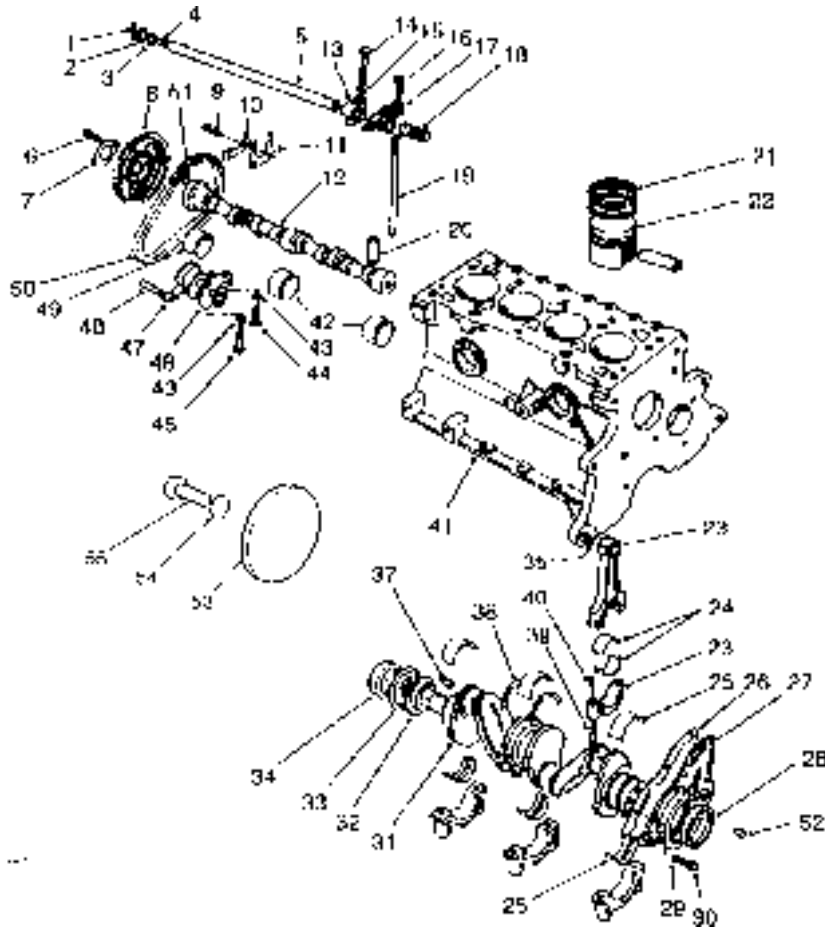
1186

CYLINDER HEAD & VALVE ASM

#	Part No.	Description	Qty	#	Part No.	Description	Qty
1	E800516-S72	Screw - Rocker Cover	4	18	E7RZ-9278-A	Switch Oil Pressure	1
	E630024-S201	Washer - Flat	4	19	D8RZ-6767-A	Adapter	1
†2	95-2140	Oil Tube ASM	1	20	E890100-S	Plug - Ball - Oil Gallery	1
3	84BF-6K614-CA	Cap - Oil Fill	1	21	D8RZ-6026-A	Plug	1
†4	096609	Hose Clamp	1	22	F1ZZ-6026-A	Plug	3
†5	95-2171	Oil Breather Hose	1	23	D1FZ-6345-A	Bolt - Bearing Cap	10
†6	95-2172	Crankcase Discharge Hose	1	24	E802666-S72	Screw	1
†7	95-2143	Oil Tube Brace Strap	1	25	89BF-6C315-AC	Transducer	1
†	20-24-AGD	5/16 x 3/4 Bolt	1	26	353055-S7	Plug	1
†	22-12-AJD	5/16 Hex Nut	1	27	DORY-6026-A	Plug	2
†	23-10-GD	5/16 Lock Washer	1	28	89BM-6020-AA	Gasket - Front Cover	1
†	24-10-AD	5/16 Flat Washer	2	29	83BM-6700-A4A	Seal - Front Cover	1
8	91BM-6582-GA	Cover - Rocker Arm	1	30	E800518-S72	Bolt	1
9	77BM-6584-CA	Gasket - Cover	1	31	E600113-S72	Bolt	3
10	88WM-6518-AA	Lock Valve Spring	16	32	E800512-S72	Bolt	4
11	89BM-6A536-AA	Retainer	8	33	E832108-S71M	Lock Washer	8
12	89BM-6513-AA	Spring - Valve	8	34	89BM-6019-AA	Cover & Seal ASM (Incl. Ref. #29)	1
13	88WM-6571-BB	Seal - Valve Stem	8	35	E840126S	Dowel	2
14	DORY-6026-A	Plug	1	36	89BM-6505-EA	Valve - Exhaust .040mm O.S.	A/R
15	89BM-6051-C2B	Gasket - Cylinder Head	1	*	89BM-6505-CA	Valve - Exhaust Std.	4
16	89BM-6507-BA	Valve - Intake - Std.	4	37	89BM-6057-A2E	Insert - Exhaust Seat	4
*	89BM-6507-BC	Valve - Intake .040mm O.S.	A/R	38	D8RZ-8507-A	Water Pump Gasket	1
17	89BM-6056-A1G	Intake Valve Seat	4	39	DY881	Temperature Sender	1
				40	89BM-6049-DD	Cylinder Head ASM	1
				41	89BM-6065-DA	Bolt - Cylinder Head	10

*Not Illustrated

† Order part from your Authorized TORO Distributor.

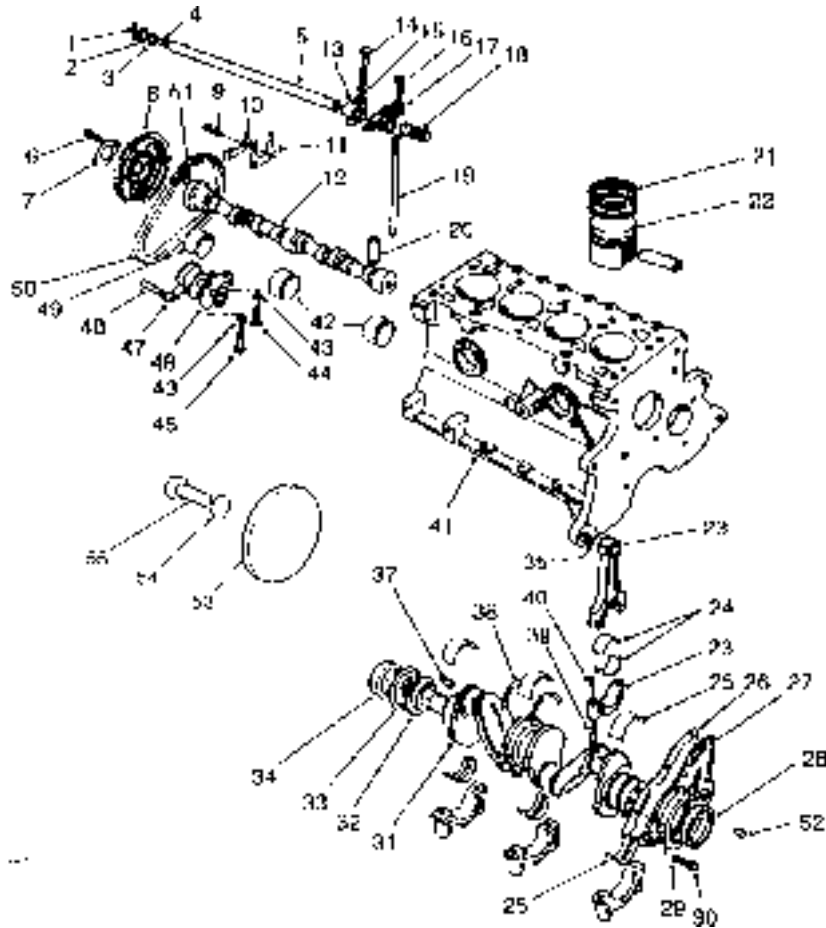


CRANKSHAFT & CAMSHAFT ASM

#	Part No.	Description	Qty
1	72025-S7	Cotter Pin	2
2	77BM-6598-AB	Washer - Spring	2
3	DORY-65990-A	Washer - Flat	2
4	357966-S	Plug - Rocker Arm Shaft	2
5	89BM-6A557-AA	Rocker Arm Shaft ASM (Incl. Ref. #4)	1
6	E602351-S72	Bolt	2
7	DORY-6258-A	Retainer	1
8	77BM-6256-AA	Sprocket - Camshaft	1
9	N602166-S2	Bolt	2
10	DORY-6255-A	Retainer	1
11	DORY-6269-A	Plate - Thrust	1
12	89BM-6251-BA	Camshaft	1
13	77BM-6531-BB	Support - Rocker Shaft	4
14	E800509-S72	Bolt - Rocker Support	4
15	E630031-S101	Washer	4
16	DORY-6549-B	Screw	8
17	89BM-6529-AB	Valve Rocker Arm - RH (Incl. Ref. #16)	4
*	89BM-6K52-AB	Valve Rocker Arm - LH (Incl. Ref. #16)	4
18	DORY-6587-A	Spring - Locating	3
19	89BM-6566-AA	Rod - Valve Push	8
20	89BM-6500-AA	Tappet - Std.	8
21	89BM-6148-DA	Ring Set - Std.	4
*	89BM-6148-EA	Ring Set - .020 OS.	A/R
*	89BM-6148-FA	Ring Set - .040 OS.	A/R

#	Part No.	Description	Qty
22	89BM-6102-DA	Piston ASM Std. (Incl. Ref. #21)	4
*	89BM-6102-EA	Piston ASM .020 OS. (Incl. Ref. #21)	A/R
*	89BM-6102-FA	Piston ASM .040 OS. (Incl. Ref. #21)	A/R
23	89BM-6200-AD	Connecting Rod ASM	4
24	89BM-6211-AA	Bearing - Rod Std.	8
*	89BM-6211-BA	Bearing Rod .001 U.S.	A/R
*	89BM-6211-CA	Bearing - Rod .010 U.S.	A/R
*	89BM-6211-DA	Bearing - Rod .020 U.S.	A/R
*	89BM-6211-EA	Bearing - Rod .030 U.S.	A/R
25	89BM-6333-AA	Bearing - Crank Upper Std. OD Std. ID	5
*	89BM-6331-AA	Bearing - Crank Lower Std. OD Std. ID	5
*	89BM-6333-BA	Bearing - Crank Upper Std. OD .005 US ID	A/R
*	89BM-6331-BA	Bearing - Crank Lower Std. OD .005 US ID	A/R
*	89BM-6333-CA	Bearing - Crank Upper Std. OD .010 US ID	A/R
*	89BM-6331-CA	Bearing - Crank Lower Std. OD .010 US ID	A/R
*	89BM-6333-DA	Bearing - Crank Upper Std. 015 OD ID	A/R

*Not Illustrated

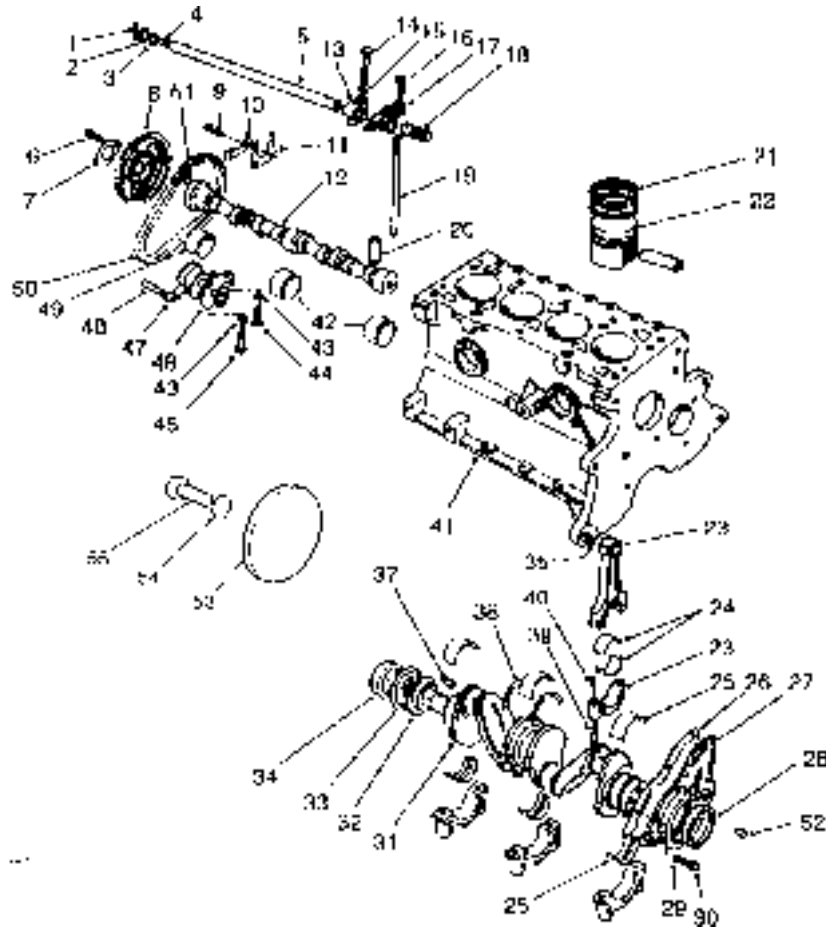


CRANKSHAFT & CAMSHAFT ASM

#	Part No.	Description	Qty	#	Part No.	Description	Qty
*	89BM-6331-DA	Bearing - Crank Lower .015 OD Std. ID	A/R	29	E630173-S71M	Lock Washer	4
*	89BM-6333-EA	Bearing - Crank Upper Std. OD .020 US. ID	A/R	30	E602187-S72	Bolt	4
*	89BM-6331-EA	Bearing - Crank Lower Std. OD .020 US. ID	A/R	31	89BM-6303-DA	Crankshaft ASM	1
*	89BM-6333-FA	Bearing - Crank Upper Std. OD .030 US. ID	A/R	32	DORY-6306-A	Sprocket	1
*	89BM-6331-FA	Bearing - Crank Lower Std. OD .030 US. ID	A/R	33	D8RZ-6310-A	Slinger Oil	1
*	89BM-6333-GA	Bearing - Crank Upper .015 OS. OD/.010 US. ID	A/R	34	83BM-6700-A4A	Seal - Front Cover	1
*	89BM-6331-GA	Bearing - Crank Lower .015 OS. OD/.010 US. ID	A/R	35	E7RY6397-A	Dowel	2
*	89BM-6333-HA	Bearing - Crank Upper .015 OS. OD/.020 US ID	A/R	37	DORY-6B6397-A	Key - Woodruff	1
*	89BM-6331-HA	Bearing - Crank Lower .015 OS. OD/.020 US. ID	A/R	38	89BM-6A341-AA	Washer - Bearing Thrust Std.	2
26	89BM-6344-BA	Gasket Rear Retainer	1	*	89BM-6A341-BA	Washer - Bearing Thrust .015 OS.	A/R
27	86BM-6K318-AA	Retainer ASM Rear	1	39	89BM-6214-DB	Bolt - Connecting Rod	8
28	86HM-6701-A1A	Seal Crankshaft Rear	1	40	116336-ES100	Dowel Pin - Rod	8
				41	89BM-6011-DA	Cylinder Block	1
				42	DORY-6262-C	Bearing - Std. ID Std. OD	2
				*	DORY-6262-B	Bearing - Std. ID + .020 OD	A/R
				43	34805-S8	Lock Washer	2
				44	N602166-S72	Bolt	1
				45	E600116-S204	Bolt	1
				46	DIFZ-6284-A	Tensioner	1
				47	77BM-6K255-AC	Arm - Tensioner	1

* Not Illustrated

Order replacement parts from your Local Ford Power Products Dealer.

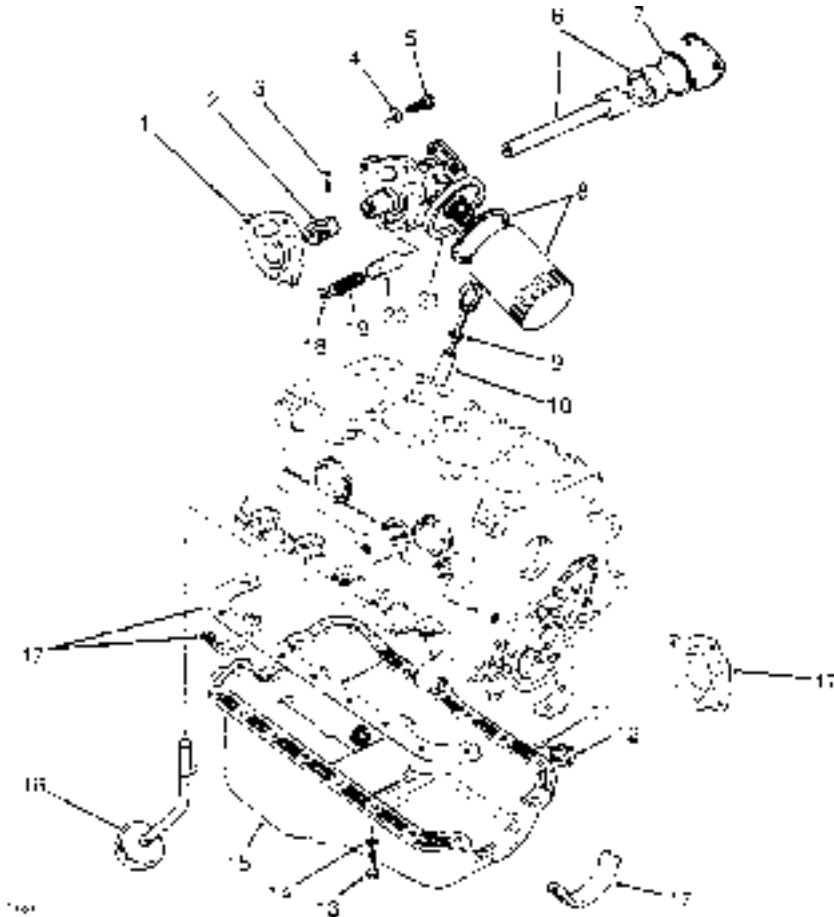


CRANKSHAFT & CAMSHAFT ASM

#	Part No.	Description	Qty
48	E43-CP-1	Pin	1
49	DORY-6261-A	Bearing - Std. ID Std. OD	1
*	DORY-6261-B	Bearing - Std. ID +.020 OD	A/R
50	DORY-6268-A	Chain	1
51	E93A-6253-A	Dowel+	1

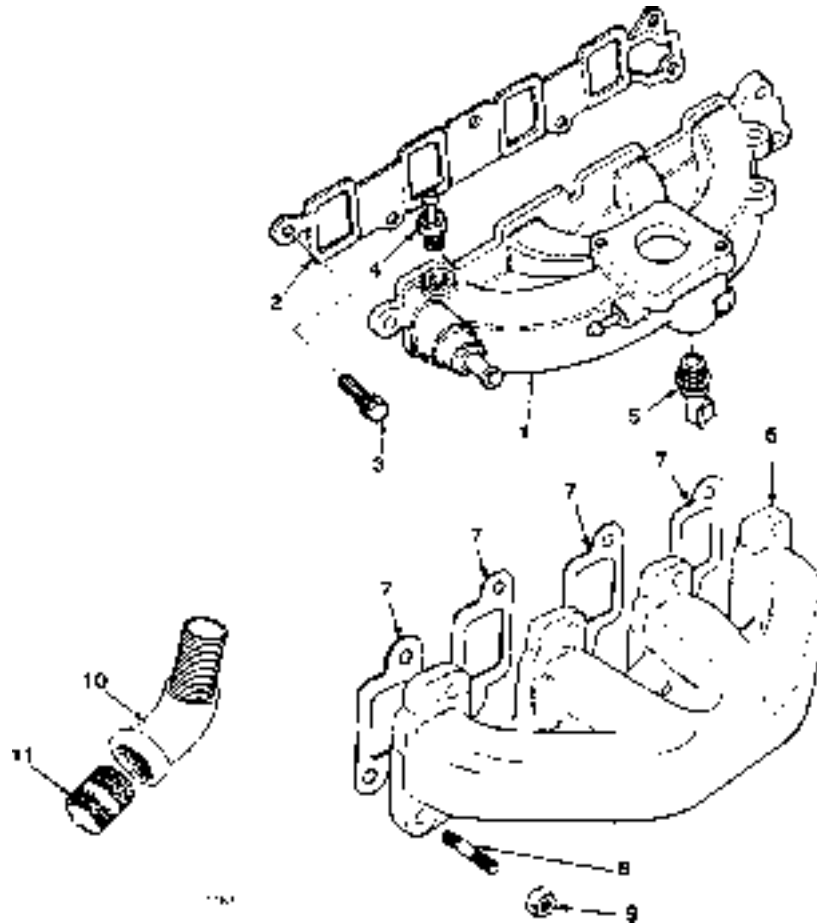
#	Part No.	Description	Qty
52	E840161-S	Dowel	1
*	88BX-6008-BA	Gasket Kit Complete	1
*	88BX-6014-BA	Gasket Kit Upper	1
53	95-2444	2 Groove Crankshaft Pulley	1
54	E830135-S76	Washer	1
55	89BM-6K340-AA	Bolt	1

* Not Illustrated



OIL PUMP & FILTER ASM

#	Part No.	Description	Qty	#	Part No.	Description	Qty
1	96BM-6659-A1A	Gasket - Oil Pump	1	11	E9DZ-6734-B	Gasket Oil Drain Plug	1
2	DORY-6652-A	Gear	1	12	E9DZ-6730-B	Plug - Oil Drain	1
3	72432-S	Pin - Drive Dear	1	13	E602165-S72	Bolt	18
4	E630173-S71M	Lock Washer	3	14	34805-S8	Lock Washer	18
5	E800519-S72	Bolt	3	15	86BM-6675-AA	Oil Pan	1
6	D1FZ-6608-B	Rotor & Shaft	1	16	86BM-6617-AA	Oil Pick-up Tube ASM	1
7	116682-ES	Seal Cover Plate	1	17	A850X-6013-AA	Kit - Gasket Seal	1
8	95-3304	Filer - Oil	1	18	DORY-6666-A	Plug	1
9	92BM-6750-AA	Indicator - Oil Level	1	19	DORY-6670-A	Spring	1
10	89BM-6784-AA	Tube Oil Level Indicator	1	20	DORY-6674-A	Plunger	1
				21	97BM-6600-AA	Pump - Oil (w/o Pressure Relief)	1



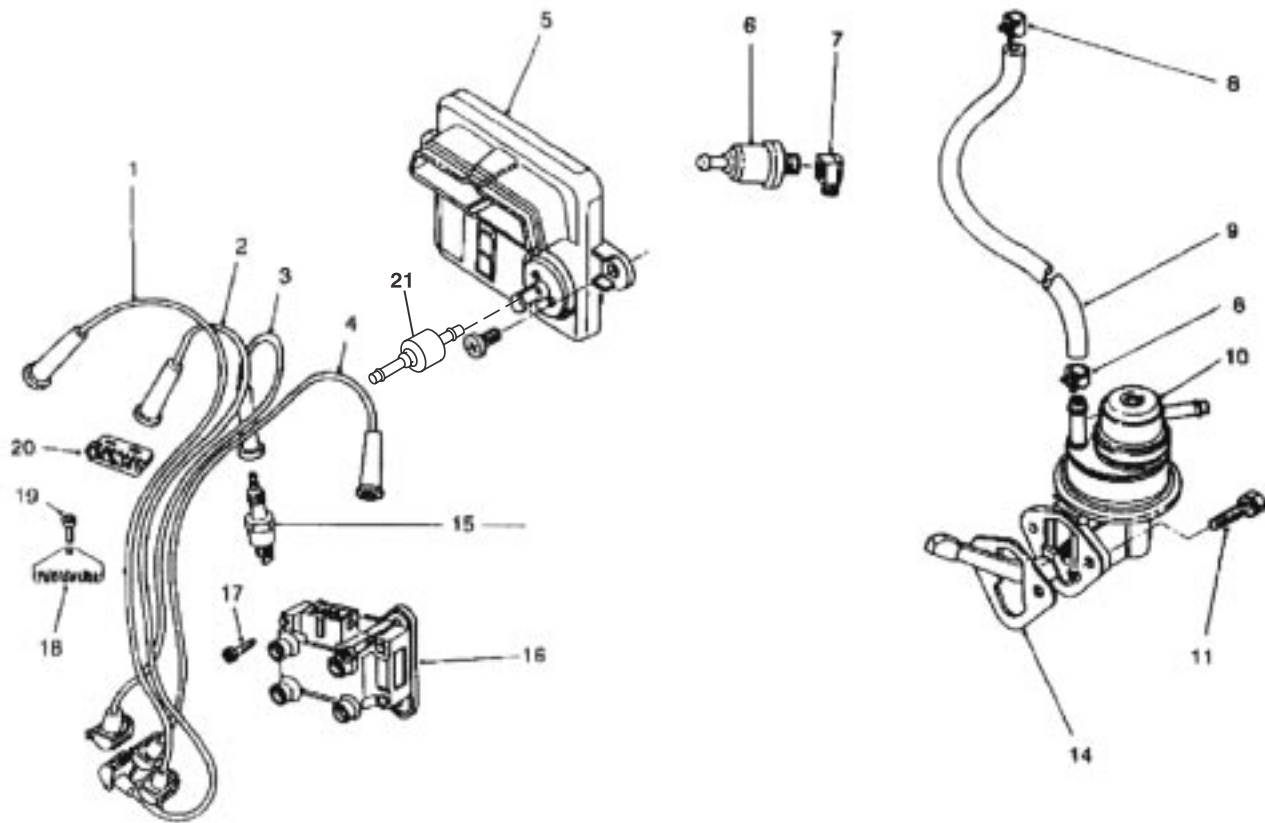
MANIFOLD ASM

#	Part No.	Description	Qty
1	89BF-9424-AD	Manifold - Intake	1
2	89BM-9441-AB	Gasket - Inlet Manifold	1
3	E800157-S72	Bolt - M8 x 25	6
4	77BF9K442-AA	Vacuum Line Adapter	1
5	DY681	Temperature Sender - 250°	1
6	F5JL-9950-BA	Manifold - Exhaust	1

#	Part No.	Description	Qty
7	89BM-9448-BA	Exhaust Manifold Gasket	4
8	E805697-S76	Stud - M8 x 27.5	8
9	N620481-S2	Nut - M8 UBS	8
†10	9990	45° Elbow, 1-1/4" Galv. Street	1
†11	92-0016	Nipple, 1-1/4"	1

† Order part from your Authorized TORO Distributor.

36 Order replacement parts from your Local Ford Power Products Dealer.



IGNITION & FUEL PUMP ASM

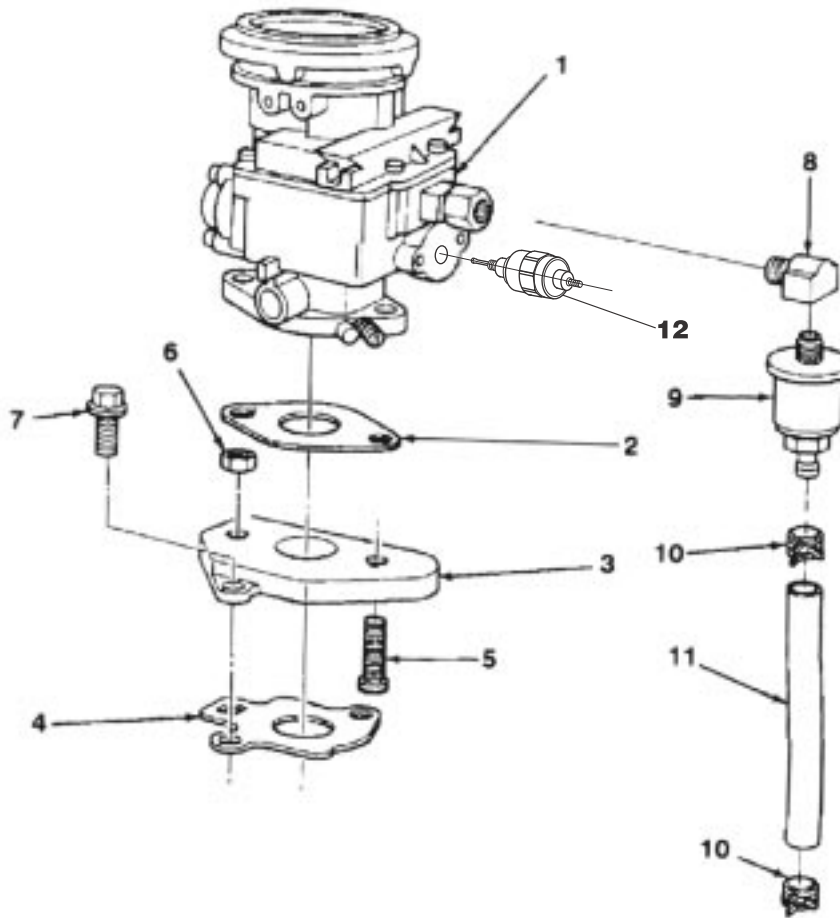
#	Part No.	Description	Qty
*1	89BF-12287-AE	Wire - Spark Plug #4	1
*2	89BF-12284-AE	Wire - Spark Plug #3	1
*3	89BF-12283-AE	Wire - Spark Plug #2	1
*4	89BF-12286-AE	Wire - Spark Plug #1	1
5	89BF-12A297-GA	Module-Ignition Control ASM	1
6	D7TZ-9155-E	Filter - Fuel (Motorcraft #FG778B)	1
7	370829-S101	Elbow	1
8	380882-S32	Clamp - Fuel Hose	A/R
9	381103-S180A	Hose - Fuel	1

#	Part No.	Description	Qty
10	83BF-9350-AA	Fuel Pump	1
11	N602551-S2	Screw & Washer	2
14	83BM-9417-A1A	Gasket - Fuel Pump	1
15	AGRF22	Spark Plug	4
	AGSF22C	(Motorcraft)	1
16	89BF-12024-A1B	Coil & Bracket ASM	3
17	E804335-S201	Screw	1
18	89BF-12297-AA	Separator - Wire	1
19	E802166-S76	Screw	1
20	E865648-S	Separator - Wire	1
21	D9AZ12A197A	Valve DY 260	1
**	E8JL-12A200-AD	Main Engine Harness	1

* Parts included in Wire Set F7JL-12259-AA.

* Not Illustrated

Order replacement parts from your Local Ford Power Products Dealer.



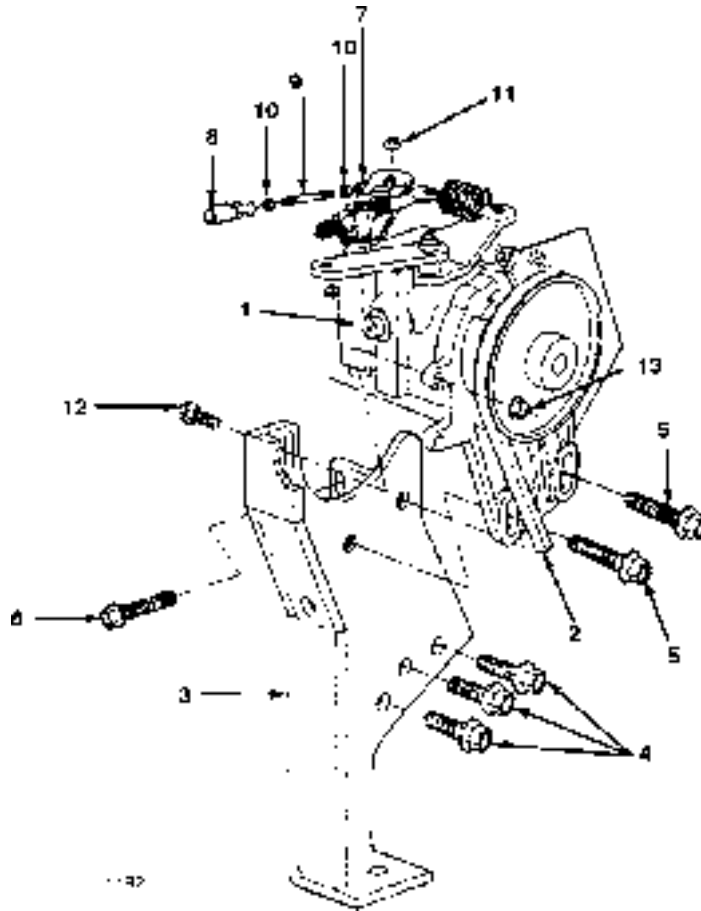
1191

CARBURETOR ASM

#	Part No.	Description	Qty
1	E9JL-9510-GA	Carburetor ASM	1
*	E9JL950AA	Carburetor Rebuild Kit	
2	E5JL9447-BA	Carburetor to Adapter Gasket	1
3	E8JL9A589-CB	Adapter	1
4	87BF-9447-BA	Carburetor Gasket	1
5	E804216-S	Stud - M8 x 29.5	2
6	N620041-S51	Nut - M8	2

#	Part No.	Description	Qty
7	N800055-S	Bolt - M6 x 20	2
8	370829-S101	90° Elbow	1
9	D7TZ9155-E	Filter - Fuel (Motorcraft #FG778B)	1
10	380882-S32	Hose Clamp	2
11	381103-S180A	Fuel Hose	1
12	84FBB-9K765-BA	Fuel Cut-Off Solenoid	1
*	C6JZ-9740-A	Clevis - Carburetor/Governor	1
*	E9JL9590-BA	Carburetor Enhancement Kit	A/R
*	F4JL-9B559-AA	Accelerator Pump	A/R

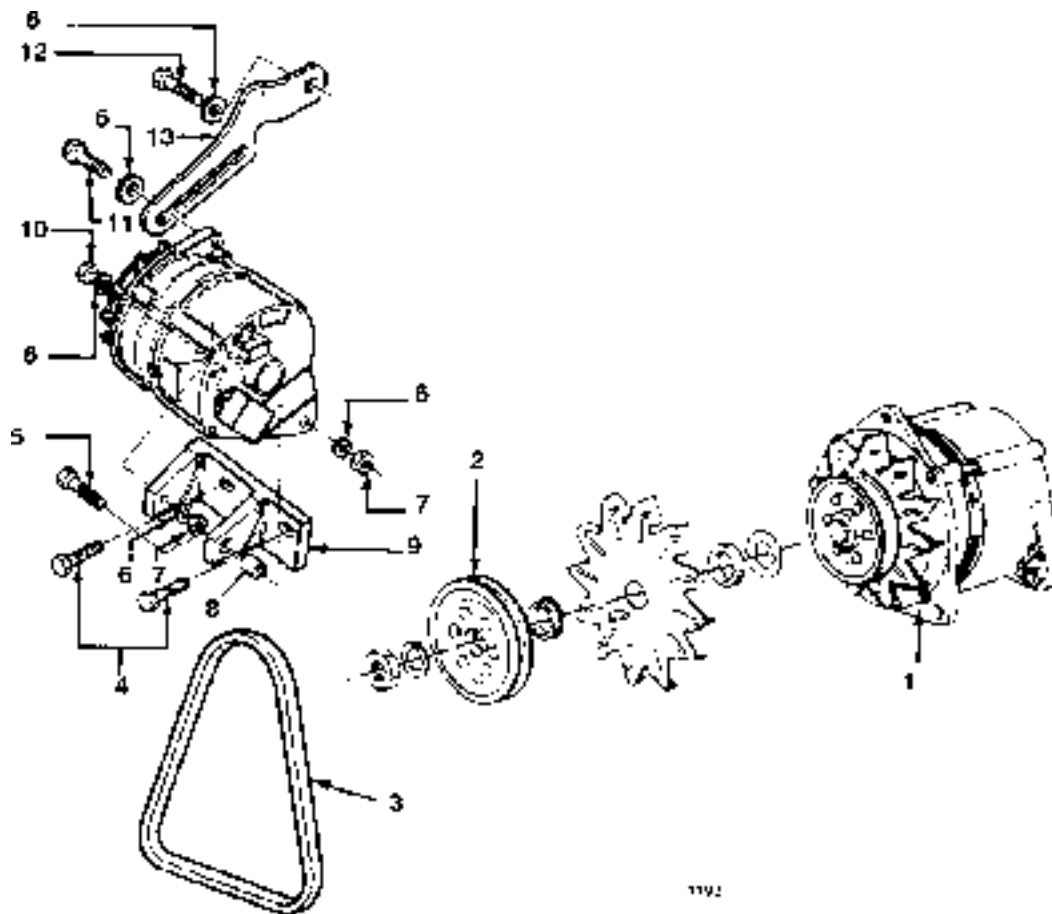
* Not Illustrated



GOVERNOR ASM

#	Part No.	Description	Qty
1	E5JL-12450-AC	Governor - Variable Speed	1
2	E9JL-8620-AA	Governor Belt	1
3	95-2474	Pwr. Unit Mount. Brkt. w/Holes	1
4	N800057-S2	Bolt - M10 x 40 UBS	3
5	N605920-S2	Bolt - M10 x 33	2
6	N605788-S2	Bolt - M8 x 30 UBS	1

#	Part No.	Description	Qty
7	E5JL-99810-BA	Ball Joint	1
8	E7JL-99810-AA	Ball Joint	1
9	E8JL-9A722-AB	Throttle Rod	1
10	34079-S36	Nut - No. 10-32	2
11	55732-S2	Nut - No. 10-32 Hex Flange	1
12	N606677-S55	Screw and Washer M6 x 25	1
13	N620480-S2	Nut- M6	1

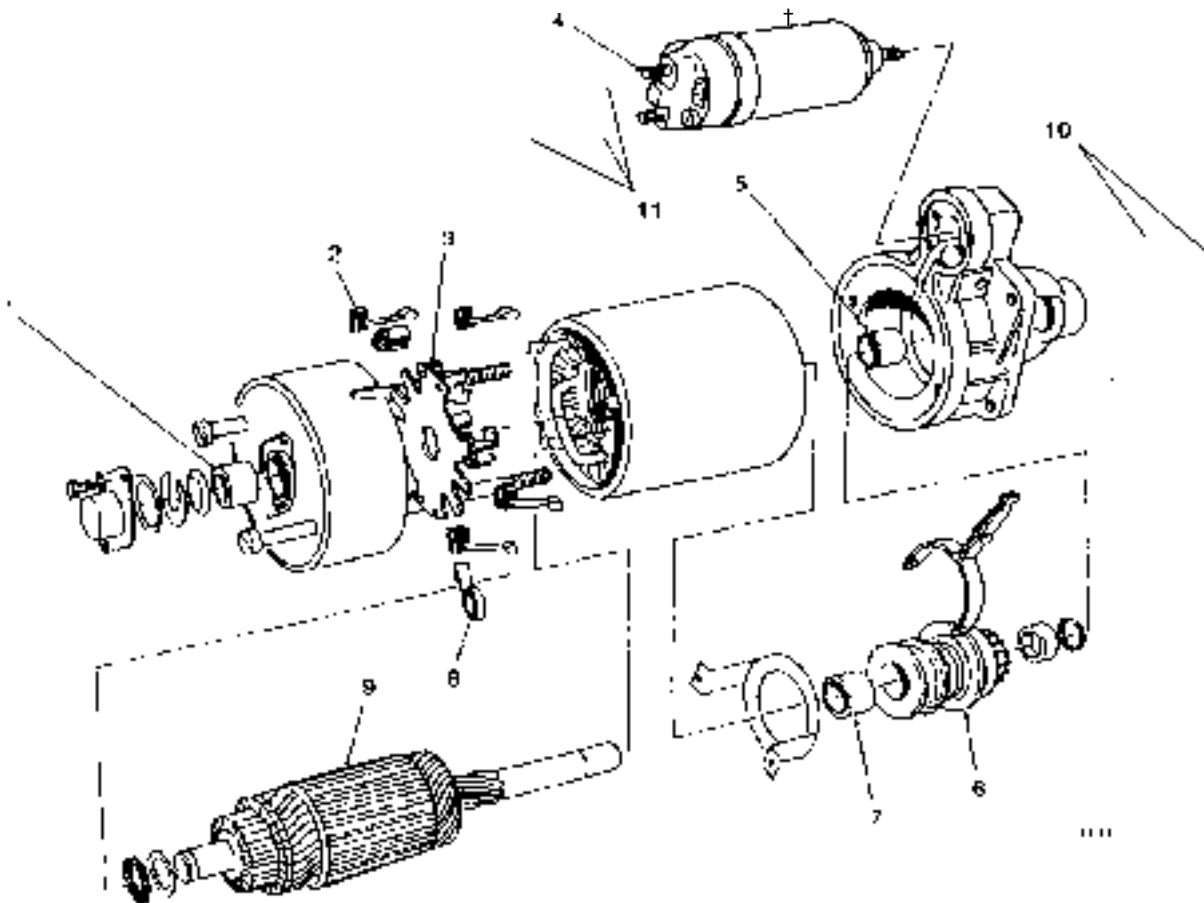


1192

ALTERNATOR REGULATOR ASM

#	Part No.	Description	Qty
1	D2JL-10346-AB	Alternator - 51 AMP	1
2	D3JL-10A352-B	Pulley	1
3	DORY-8620-C	Belt - Water Pump/Alternator	1
4	N60580152	Bolt -M10-150 x 36 (UBS)	2
5	E601215-S200	Bolt - M8 x 50	1
6	E630173-S71M	Washer M8 Lock	5

#	Part No.	Description	Qty
7	E620013-S72	Nut - M8	2
8	382400S2	Spacer	1
9	F3JL-10039-AA	Mounting Bracket	1
10	E600213-S101	Bolt - M8 x 40	1
11	E602188-S72	Bolt - M8 x 25	1
12	E602187-S72	Bolt - M8 x 20	1
13	781F-10145-AA	Adjusting Arm	1



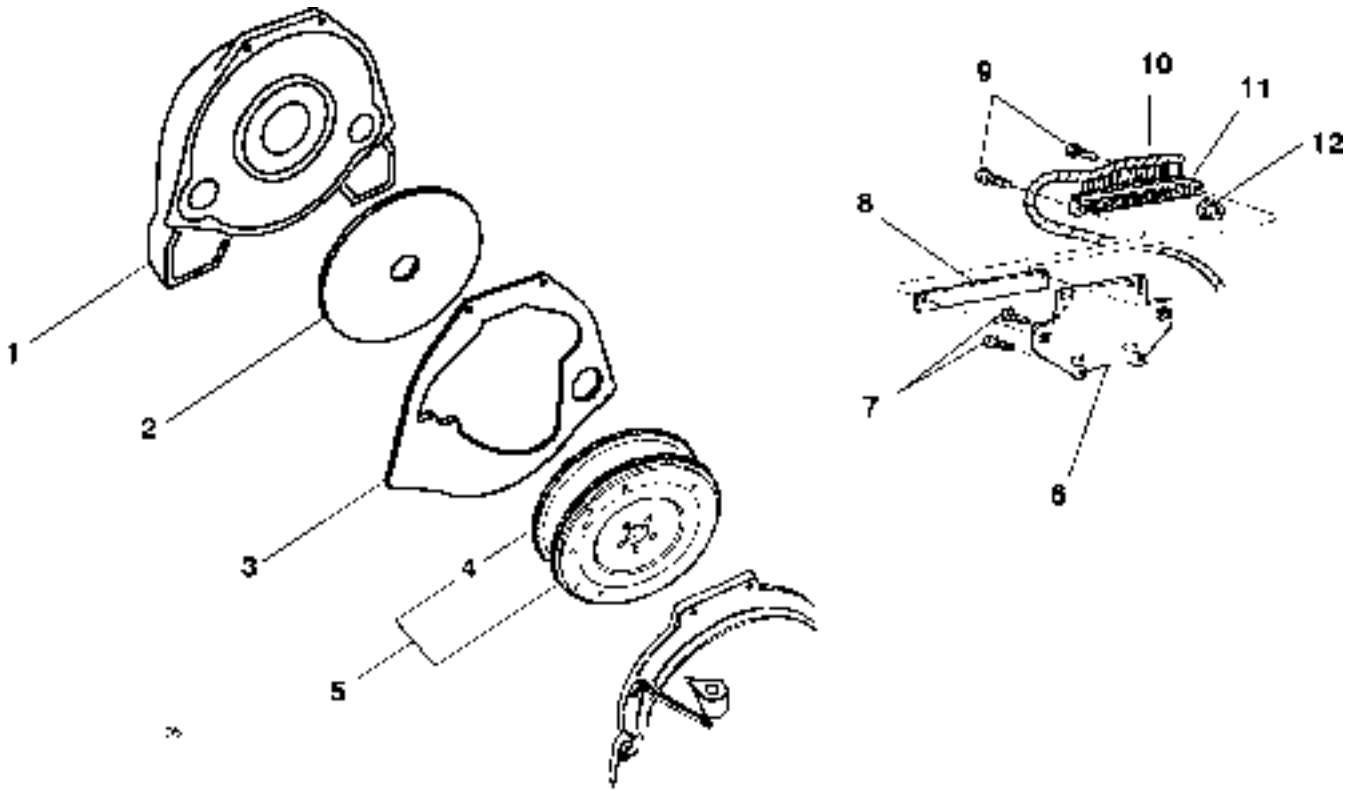
STARTER MOTOR ASM (91AB1100JB)

#	Part No.	Description	Qty
1		Bushing - Brush End	1
2		Brush Set	1
3		Holder - Brush	1
4		Solenoid	1
5		Bushing - Drive End	1
6		Drive ASM	1

#	Part No.	Description	Qty
7		Bushing - Starter Drive	1
8		Spring - Brush	4
9		Kit - Armature Install	1
10	N606067-S2	Bolt M10 x 75	3
11	N80532053	Nut and Washer M6-1.00	2
*		Kit - Wiring, Service	1
*	C6JZ-6404-A	Decal - 12 Volt Electric	1

* Not Illustrated

Order replacement parts from your Local Ford Power Products Dealer.



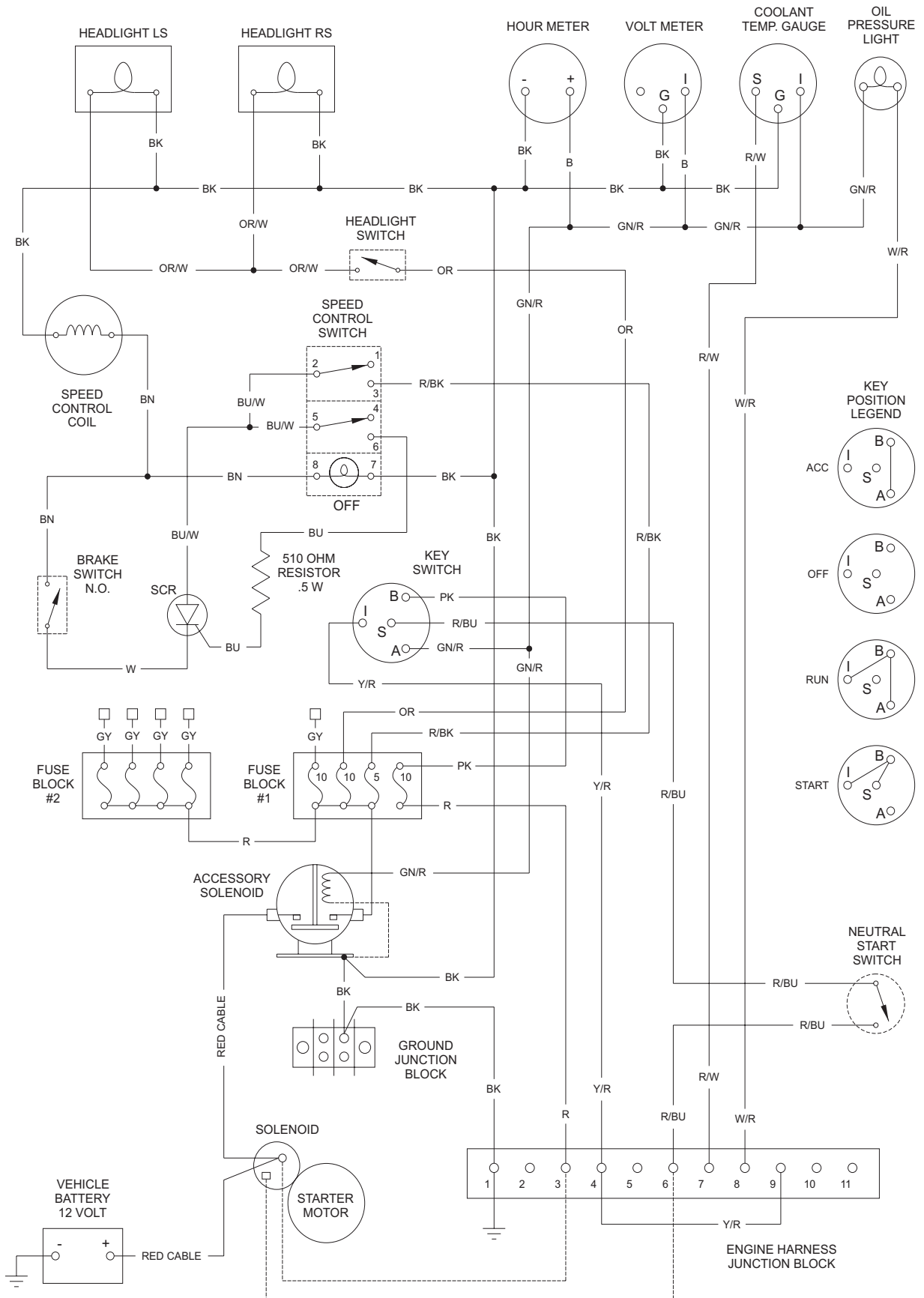
MAIN HARNESS AND FLYWHEEL ASM

#	Part No.	Description	Qty
† 1	92-0283	Engine Bell Housing	1
† 2	92-0285	Coupling ASM	1
† 3	92-0284	Starter Plate	1
4	D8RZ-6384-A	Ring Gear - 135 Teeth	1
5	84FM-6375-AB	Flywheel & Ring Gear ASM	1
6	E6JL-14A465-BA	Bracket - Terminal Block	1

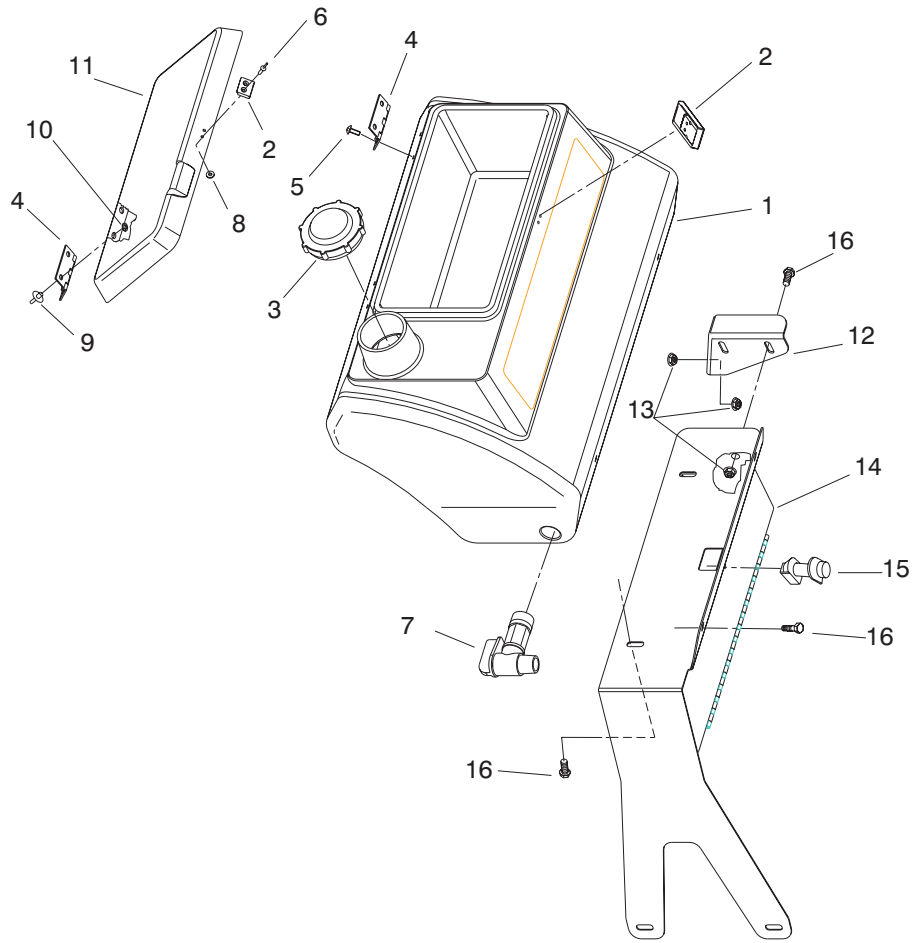
#	Part No.	Description	Qty
7	N800057-S2	Bolt - M10 x 40 UBS	2
8	E6JL-14F448-AA	Plate - Terminal Block	1
9	56503-S2	Bolt - 1/4-20 x .75	2
10	F4JL-14305-BA	Harness ASM	1
11	DOHZ-14448-F	Block ASM - 11 Stud Terminal	1
12	383255-S36	Nut & Washer - 10-20	11

† Order part from your Authorized TORO Distributor. *Not Illustrated

VEHICLE ELECTRICAL DIAGRAM



NOTES:



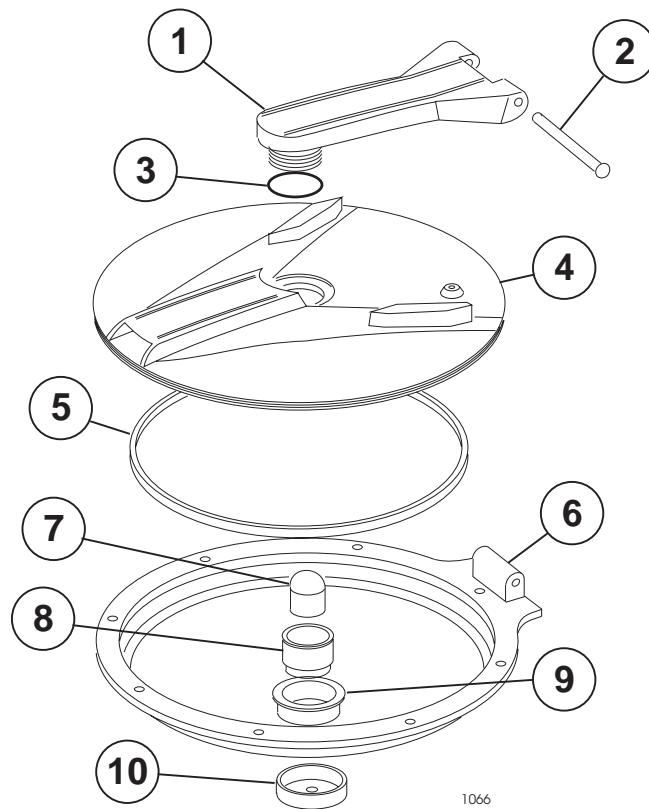
1874

FRESH WATER TANK

#	Part No.	Description	Qty
1	100-8438	Fresh Water Tank	1
†2	100-7009	Latch	1
3	100-7008	Cap	1
†4	100-7010	Hinge	2
†5	100-7064	Screw	4
†6	100-7063	Rivet	4
†7	100-7011	90° Spigot	1
†8	100-7066	Washer	2

#	Part No.	Description	Qty
†9	100-7062	Rivet	4
†10	100-7065	Washer	4
†11	100-8397	Tank Cover	1
12	104-9124	Tank Mount Plate	1
13	32128-20	Nut	4
14	104-8912	Tank Bracket	1
15	104-8914	Latch	1
16	3234-28	Bolt	6
*	104-9125	Bracket	1

† Included with Item #1, 100-8438 Fresh Water Tank ASM.

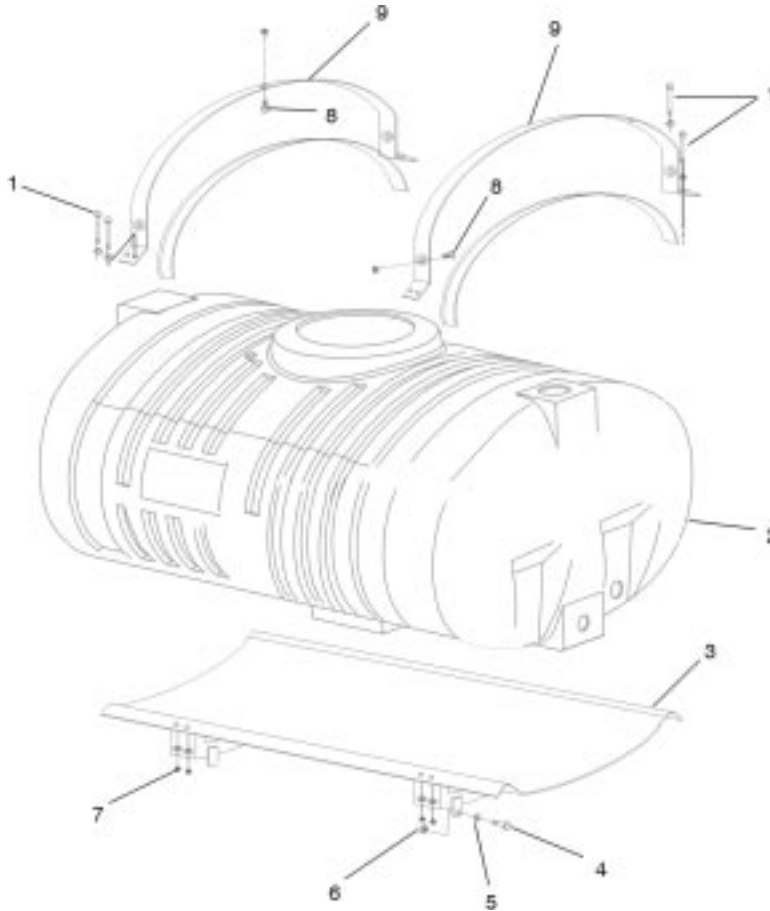


TANK LID ASM 94-7088

#	Part No.	Description	Qty
1	94-7205	Swivel Arm	1
2	94-7213	Pivot Arm	1
3	94-7206	O-Ring EPDM	1
4	94-7207	Spray Tank Lid	1
5	94-7208	Gasket EPDM	1

#	Part No.	Description	Qty
6	94-7211	Tank Lid Ring	1
*	93-0833	Aluminum Pop Rivet	8
7	94-7209	Breather Plunger	1
8	94-7210	Breather Body	1
9	94-7212	Breather Nut	1
10	94-7214	Breather Cap	1
*	104-9004	Seal Strainer Basket	1
*	104-9051	Strainer Basket, 11" Deep	1
*	93-0688	Decal, Chemicals	1

* Not Illustrated



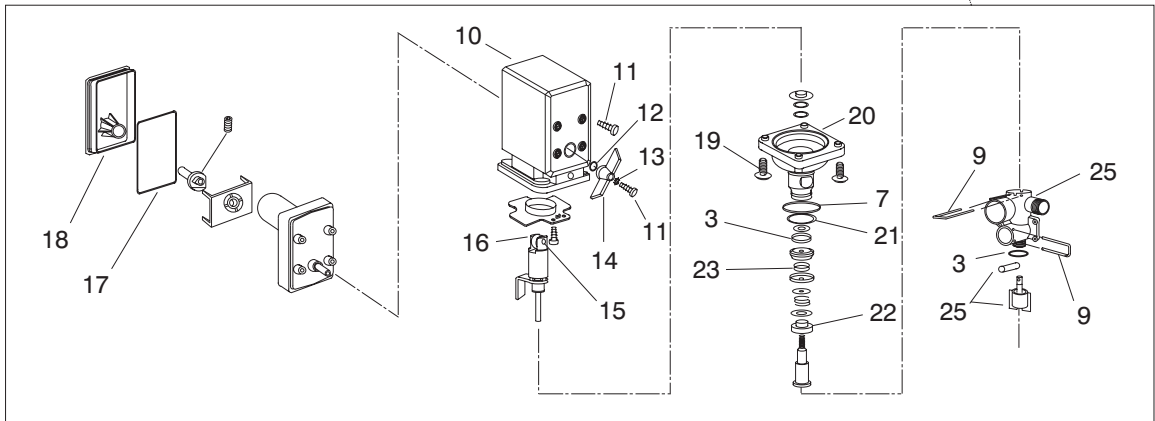
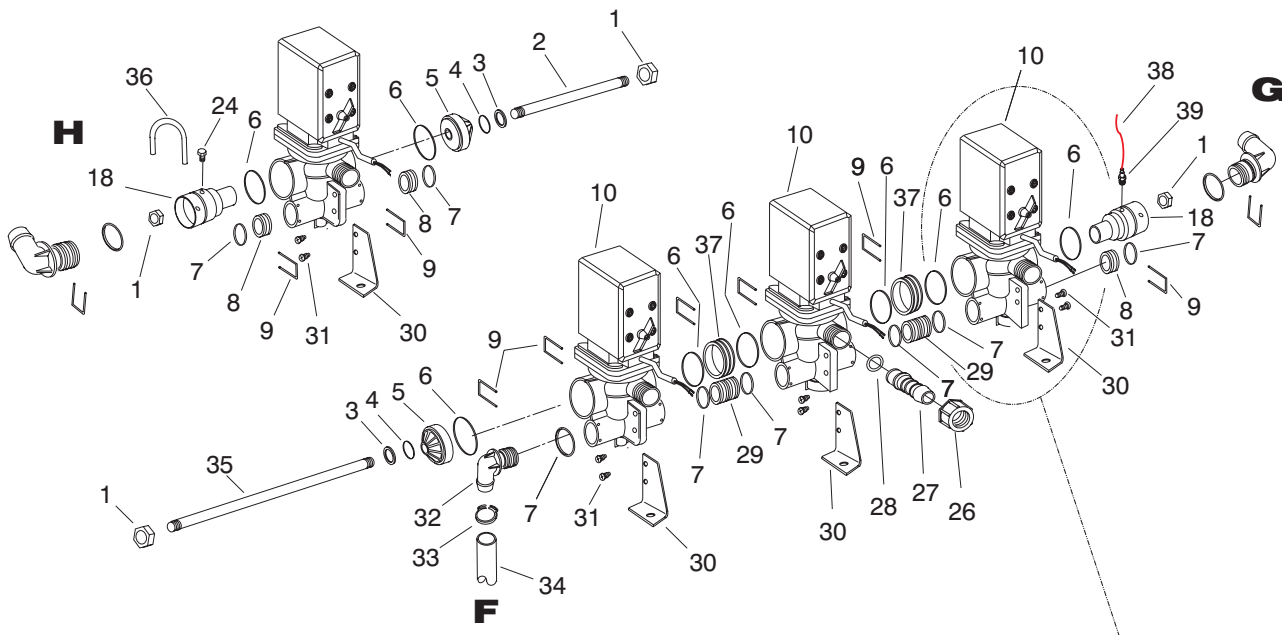
2043-5600

TANK/SADDLE ASM

#	Part No.	Description	Qty
1	41809	Mounting Band Bolt	
2	104-9176	Tank ASM 300 Gallon	
3	93-6497	Tank Saddle ASM	
4	327-4	HHCS, 5/8 NC x 1-1/2" (Grade 5)	
5	3256-7	Flat Washer, 5/8"	

#	Part No.	Description	Qty
6	3217-11	Hex Nut, 5/8 NC	2
7	3217-7	Hex Nut, 3/8 NC	8
8	3230-1	Carriage Bolts	2
9	104-9126	Tank Bands	2
*	100-6836	Decals, Tank Drain	1
*	104-9166	Decal, Logo	1
*	87-0570	Decal, Electric Shock	2

*Not Illustrated



1991-5600

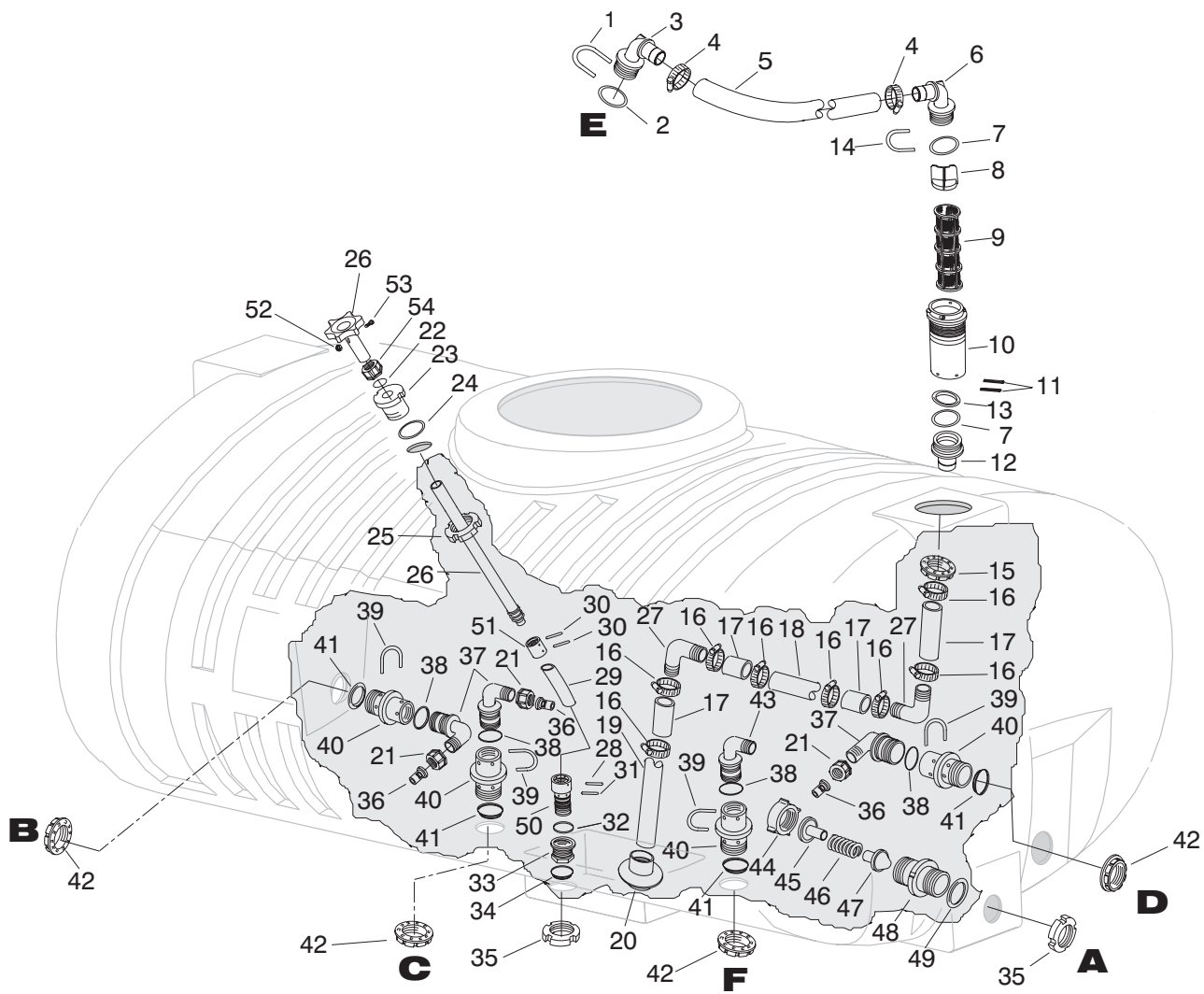
SPRAY CONTROLS

#	Part No.	Description	Qty	#	Part No.	Description	Qty
1	100-6894	Nut	4	22	100-6881	Cone	
2	104-8907	Rod	1	23	100-6878	O-Ring	
3	100-6887	O-Ring	2	24	100-7045	Screw	
4	100-6634	Washer	2	*	104-9153	Boom Valve Mounting Bracket	
5	100-6915	Cover	2	*	104-9072	Valve Support Bracket	
6	100-6646	O-Ring	8	25	100-6888	Boom Valve Manifold ASM, (Includes #4)	
7	100-6882	O-Ring	12	26	99-0850	Nut	
8	100-6891	End Cap	3	27	100-6986	Hosebarb	
9	100-6885	Fork	8	28	100-6645	O-Ring	
10	100-6923	Boom Valve Motor (Includes #s 11-14 & 17)	4	29	100-6890	Joiner	
11	100-6876	Screw	16	30	100-6760	Boom Valve Bracket	
12	100-6880	O-Ring	4	31	100-6916	Plastic Screw	
13	100-6877	Lock Washer	4	32	100-6893	Hosebarb	
14	100-6875	Hand Grip	4	33	99-0782	Hose Clamp	
15	100-6911	Pin Roller	4	34	104-9044	Hose	
16	100-6910	Bearing Roller	4	35	106-1213	Rod	
17	100-6912	Seal Cover	2	36	100-8635	Fork	
18	106-1214	Connector	2	37	100-6896	Joiner	
19	100-6917	Plastic Screw	16	38	106-1211	Gauge Tube	
20	100-6889	Boom Valve Spindle Section (Includes #s 9 & 21-23)	4	39	100-8674	Flitting	
21	100-8653	O-Ring	4				

* Not Illustrated

ROUTING LEGEND

- A - PRESSURE RELIEF VALVE (Pages 50 & 52).**
- B - FRONT AGITATION (Pages 50 & 52).**
- C - MIDDLE AGITATION (Pages 50 & 52).**
- D - REAR AGITATION SUPPLY (Pages 50 & 52).**
- E - TOP SUCTION (Pages 50 & 52).**
- F - BYPASS (Pages 50 & 52).**
- G - BOOM SUPPLY (Page 48 & 52).**
- H - AGITATION SUPPLY (Page 48 & 52).**



1989

SPRAY SYSTEM - TANK KIT

#	Part No.	Description	Qty	#	Part No.	Description	Qty
1	100-8635	Fork	1	27	104-9095	Elbow	2
2	100-8637	O-Ring	1	28	100-8660	Pin	1
3	100-8638	Hosebarb	1	29	100-8658	Tube, Flex	1
4	41327	Hose Clamp	2	30	100-8661	Pin	2
5	100-8484	Suction Hose	1	31	100-8663	Pin	1
6	100-8639	Hosebarb, Red	1	32	100-6658	O-Ring	1
7	100-8640	O-Ring	2	33	100-8664	Bulkhead	1
8	100-8641	Screen Vane	1	34	100-8659	Bulkhead Gasket	1
9	100-8642	Screen Suction, 50 Mesh, Blue	1	35	99-0761	Ringnut	2
*	100-6992	Screen Suction, 80 Mesh, Red	-	36	106-1218	Nozzle	3
*	100-6991	Screen Suction, 30 Mesh, Green	-	37	100-6715	Elbow	3
10	100-8643	Filter Housing	1	38	100-6712	O-Ring	4
11	100-8644	Expansion Pin	2	39	100-6708	Fork, S53	4
12	100-8645	Hosebarb	1	40	100-6709	Bulkhead	4
13	100-8646	Bulkhead Gasket	1	41	100-6710	Bulkhead Gasket	4
14	100-8636	Fork	1	42	100-6713	Nut	4
15	100-8647	Nut	1	43	100-6720	Hosebarb	1
16	26392	Hose Clamp	5	44	100-8678	Nut	1
17	100-8649	Suction Hose	4	45	100-6724	Valve Seat	1
18	106-1215	Suction Tube	1	46	100-6725	Spring	1
19	106-1216	Suction Tube	1	47	100-6726	Valve Cone	1
20	100-6714	Suction Tube Foot	1	48	100-6727	Valve Relief Housing	1
21	99-0766	Nut	3	49	100-6652	Bulkhead Gasket	1
22	100-6643	O-Ring	1	50	100-8662	Drain Screw	1
23	106-1240	Bulkhead	1	51	100-8657	Connector	1
24	100-6658	O-Ring	1	52	104-9047	Lock Nut	1
25	99-0758	Ringnut	1	53	104-9046	Bolt	1
26	106-1217	Tube-Drain (f/w Hand Grip & items 52-53))	1	54	106-1241	Bulkhead Nut	1

ROUTING LEGEND

A - PRESSURE RELIEF VALVE (Pages 50 & 52).

B - FRONT AGITATION (Pages 50 & 52).

C - MIDDLE AGITATION (Pages 50 & 52).

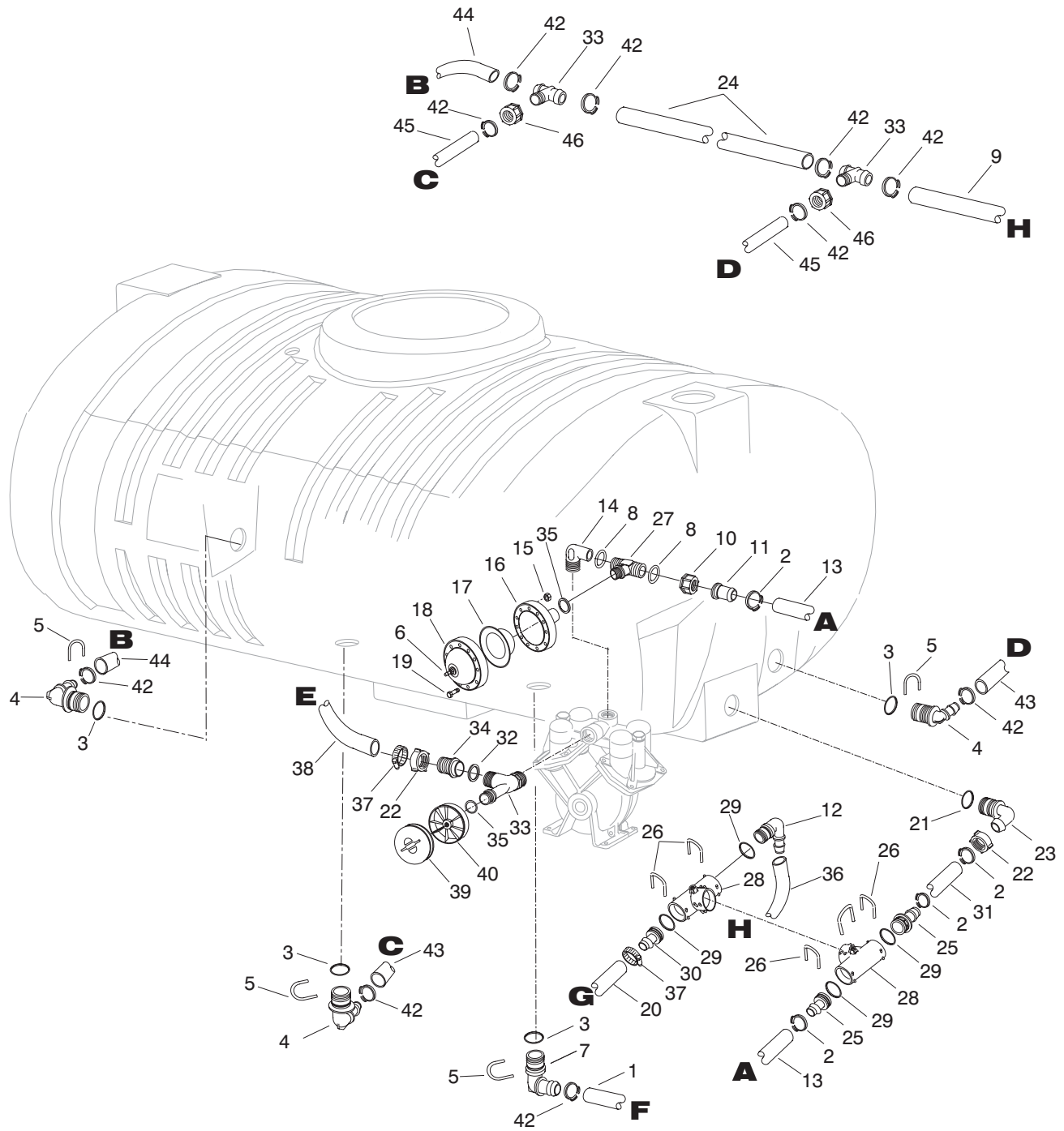
D - REAR AGITATION SUPPLY (Pages 50 & 52).

E - TOP SUCTION (Pages 50 & 52).

F - BYPASS (Pages 50 & 52).

G - BOOM SUPPLY (Page 48 & 52).

H - AGITATION SUPPLY (Page 48 & 52).



1990

PLUMBING KIT

#	Part No.	Description	Qty
1	104-9044	Hose	1
2	99-0782	Hose Clamp	6
3	100-6712	O-Ring	4
4	100-6711	Hosebarb	3
5	100-6708	Fork	4
6	99-0895	Air Valve	1
7	100-6720	Hosebarb	1
8	100-6655	Gasket	2
9	104-8706	Hose	1
*	100-6703	Connector	1
10	99-0769	Nut	1
11	99-0781	Hosebarb	1
12	100-8672	Hosebarb	1
13	100-7041	Hose	1
14	100-8698	Elbow	1
15	48-7930	Nut	12
16	99-0898	Lower Pressure Damper	1
17	99-0897	Pressure Damper Diaphragm	1
18	99-0896	Upper Pressure Damper	1
19	48-7730	Bolt	12
20	100-8484	Hose	1
21	100-6646	O-Ring	1
22	100-8678	Nut	2
23	100-6716	Hosebarb	1
24	104-8706	Hose	1

#	Part No.	Description	Qty
25	100-8676	Hosebarb	2
26	100-8635	Fork - S67	6
27	100-8699	Tee	1
28	100-6704	Tee	2
29	100-8637	O-Ring	6
30	100-6782	Hosebarb	1
31	104-9039	Hose	1
32	100-8680	Seal	1
33	100-8681	Tee	1
34	100-8679	Hosebarb	1
35	100-6656	O-Ring	2
36	104-9039	Hose	1
37	41327	Hose Clamp	2
38	100-8484	Suction Hose	1
39	99-0899	Suction Damper Diaphragm	1
40	100-6600	Suction Damper Housing	1
41	104-9039	Hose	1
42	99-0755	Hose Clamp	9
43	104-8704	Hose	2
44	104-8705	Hose	1
45	104-8704	Hose	2
*	100-6717	Hosebarb	1
46	99-0850	Nut	2
*	100-6718	O-Ring	2

ROUTING LEGEND

A - PRESSURE RELIEF VALVE (Pages 50 & 52).

B - FRONT AGITATION (Pages 50 & 52).

C - MIDDLE AGITATION (Pages 50 & 52).

D - REAR AGITATION SUPPLY (Pages 50 & 52).

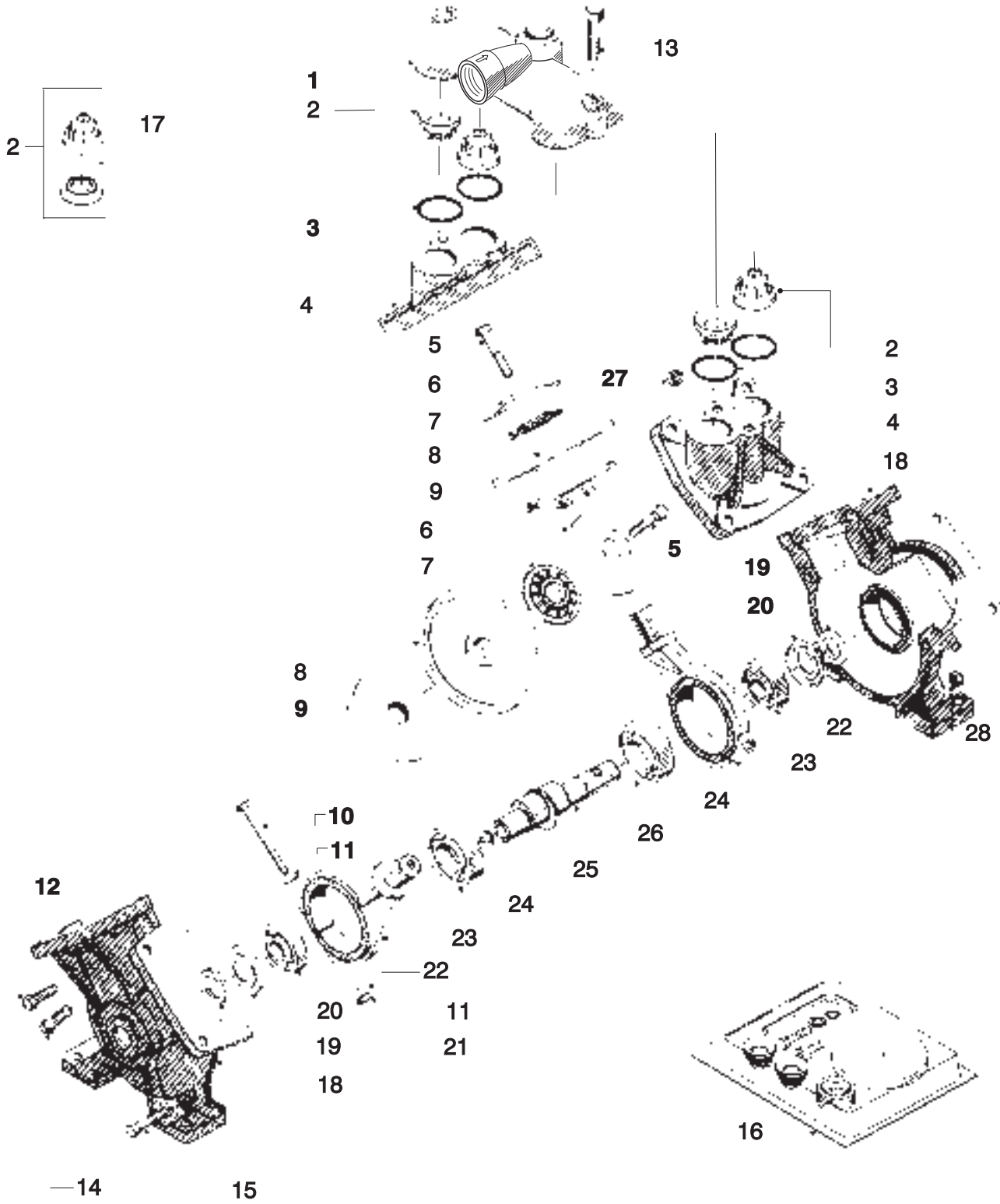
E - TOP SUCTION (Pages 50 & 52).

F - BYPASS (Pages 50 & 52).

G - BOOM SUPPLY (Page 48 & 52).

H - AGITATION SUPPLY (Page 48 & 52).

PUMP 104-9170



1673-1

PUMP 104-9170

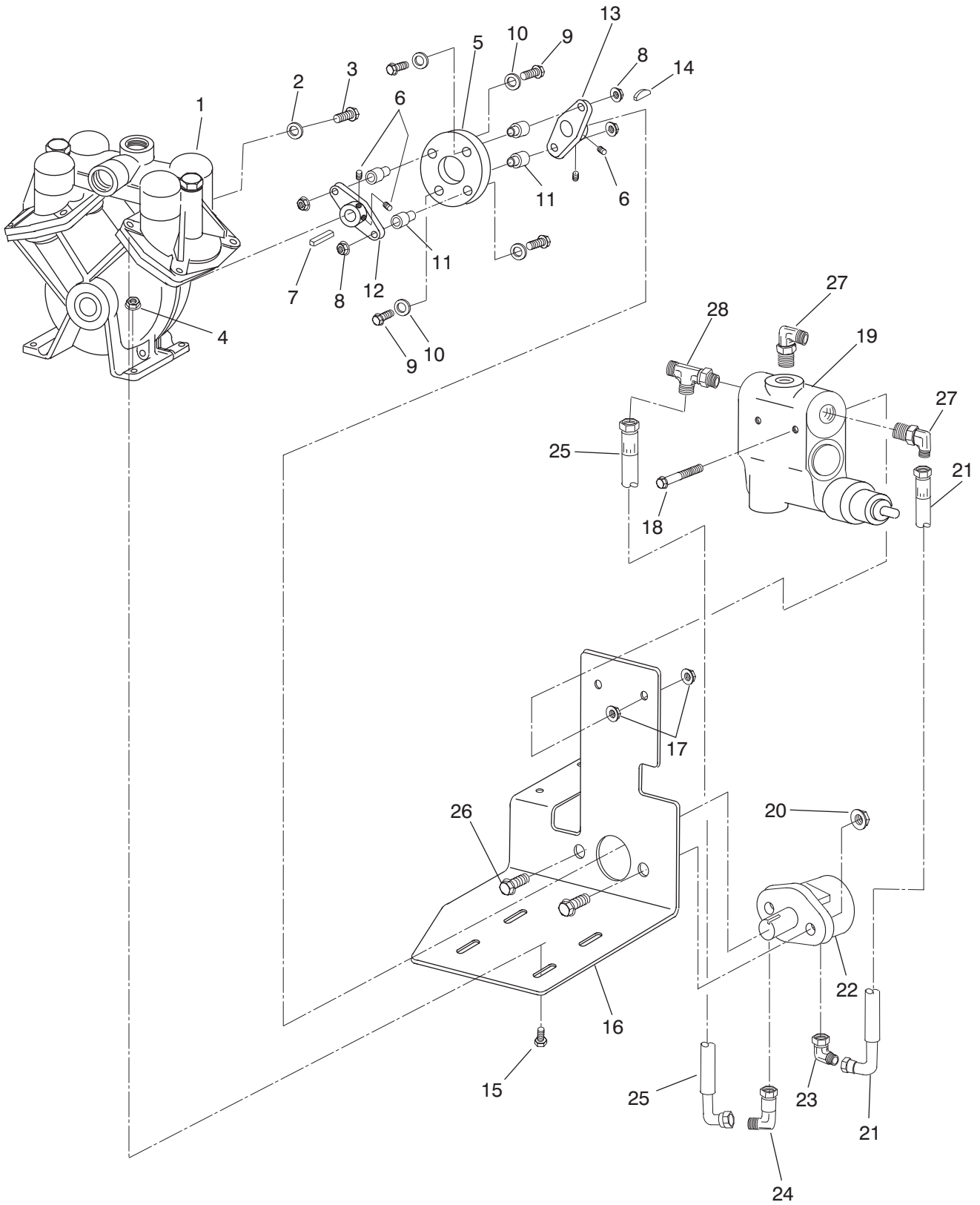
#	Part No.	Description	Qty
1	100-8306	Valve Chamber	1
2	100-8307 **	Valve	4
3	100-6652 **	O-Ring	4
4	100-8309	Diaphragm Cover	2
5	100-8310 **	Bolt Hex 7/16" X 2-1/4"	2
6	100-8311 **	Washer	2
7	100-8312 **	Nylon Washer	2
8	100-8313 **	Diaphragm	2
9	100-8314	Diaphragm Back Disc	2
10	100-8315	Bolt Hex M8 X 85	2
11	100-8316	Washer Lock	4
12	100-8317	Bolt Hex 3/8" X 30MM, Whit.	3
13	100-8335	Bolt Hex 1/2" X 55MM, Whit.	2
14	100-8319	Bolt Hex M12X50	8
15	100-8320	Bolt Hex 3/8" X 55MM, Whit.	2

#	Part No.	Description	Qty
16	100-8337	Pump Kit (Parts included shown with **)	1
17	100-8336	O-Ring Poly	4
18	100-8323	Pump Casing	2
19	99-0868	Seal Felt	2
20	100-8325	Dust Plate	2
21	100-8326	Nut Hex M8 Black	2
22	100-8327	Bearing Ball	2
23	100-8328	Connector Rod	2
24	100-8329	Bearing Ball	2
25	99-0873	Grease Nipple 1/8" H TR	1
26	104-9052	Crank Shaft, Keyed	1
27	100-8334	Nut Hex M12 Black	8
28	100-8333	Nut Hex 3/8", Whitworth Thread	5

Whit. = Whitworth Threads

** Parts included in Pump Kit 100-8337

NOTES:

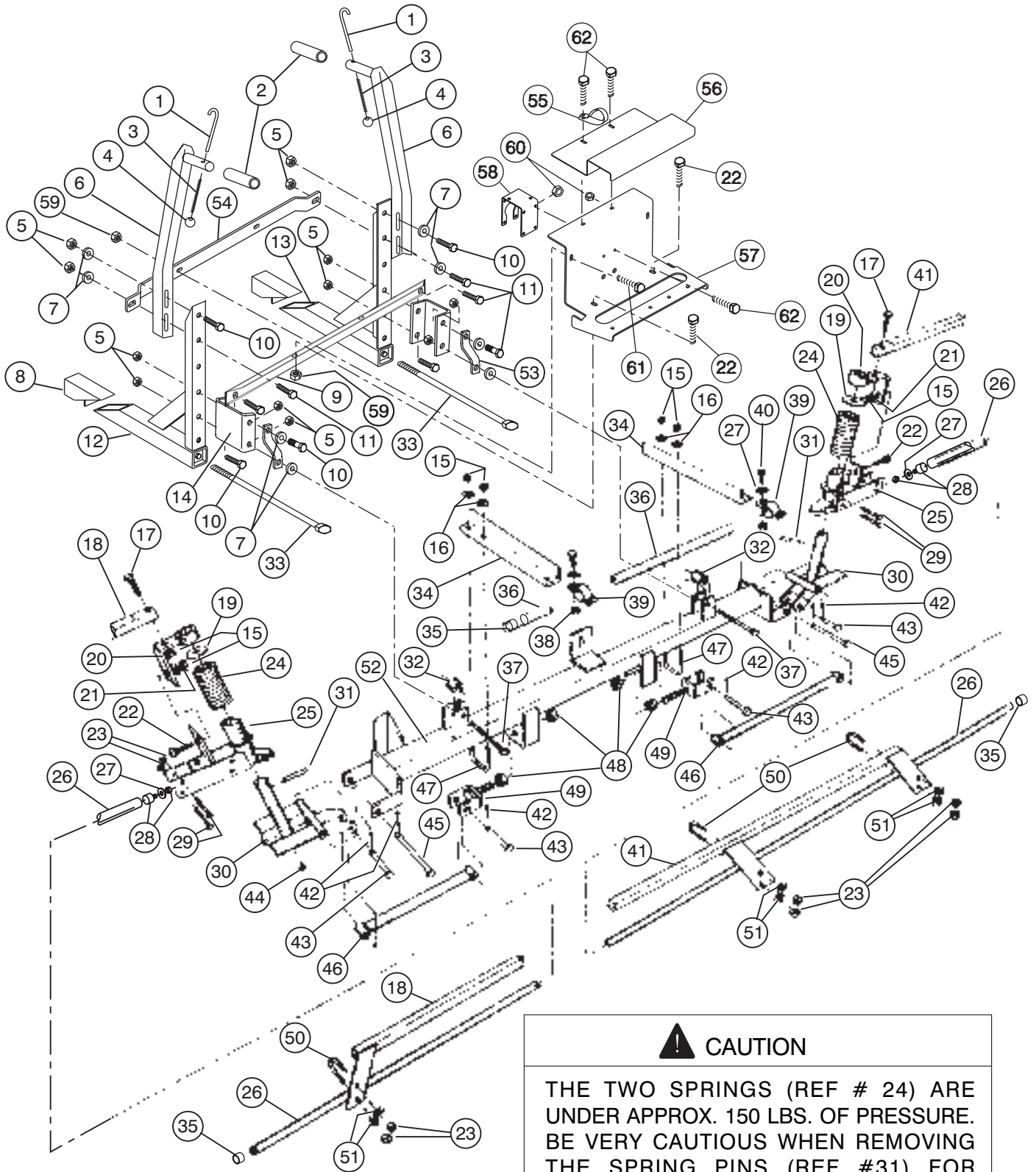


1713-5600

PUMP DRIVE

#	Part No.	Description	Qty	#	Part No.	Description	Qty
1	104-9170	Pump Kit - Hardi	1	18	321-15	Bolt	2
2	3253-21	Lock Washer	1	19	104-9110	PWM Valve	1
3	100-6665	Bolt (Whitworth Threads)	1	20	32128-49	Flange Nut	2
4	32128-43	Flange Nut	14	21	104-9181	Hose	1
5	100-8471	Coupler, Rubber	1	22	104-9099	Spray Pump Motor	1
6	3241-5	Set Screw	4	23	340-17	90° Fitting	1
7	314233	Key, Pump	1	24	104-9074	90° Fitting	1
8	3296-29	Nylock Nut	4	25	104-9179	Hose	1
9	322-7	Hex Bolt	4	26	3234-32	Flange Bolt	1
10	3256-3	Flat Washer	4	27	340-139	Tee	2
11	27-6590	Space Coupling	4	28	340-148	90° Fitting	1
12	93-2589	Pump - Hub	1	*	104-9082	"U" Bolt - 2" Tube	2
13	27-1960	Motor Hub	1	*	100-7067	"U" Bolt - 3" Tube	1
14	3257-8	Key - Motor	1	*	104-9080	Guard - Pump Drive, Front	1
15	3234-24	Flange Bolt	4	*	104-9081	Guard - Pump Drive, Rear	1
16	104-9127	Pump Mount Bracket	1	*	3234-4	Flange Bolt - Guard	1
17	32128-33	Flange Nut	5				

* Not Illustrated



1202-2-5600

⚠ CAUTION

THE TWO SPRINGS (REF # 24) ARE UNDER APPROX. 150 LBS. OF PRESSURE. BE VERY CAUTIOUS WHEN REMOVING THE SPRING PINS (REF #31) FOR REMOVAL OF THE SPRINGS.

IMPORTANT! THE TWO BOLTS (REF #33) MUST BE TORQUED TO 50 FT. LBS.

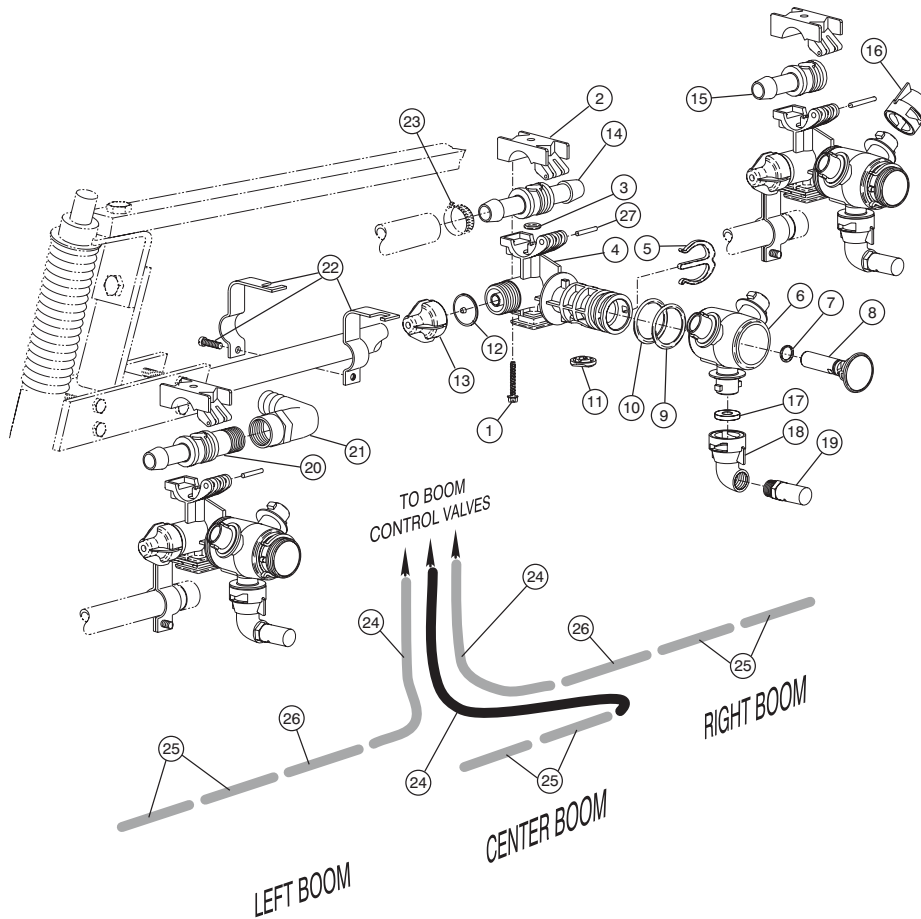
SPRAY BOOMS

#	Part No.	Description	Qty
1	92-8562	Hold-In Hook	2
2	92-8561	Hold-In Hose	2
3	92-8563	Hold-In Spring	2
4	92-8564	Hold-In Knob	2
5	32153-5	Hex Nut, 1/2" UNC	6
**	92-8534	Boom Hold-In ASM	2
7	3256-6	Flat Washer, 1/2"	4
8	42223	Tube Wedge ASM	2
9	42225	Cross Angle	1
10	325-6	HHCS, 1/2 x 1-1/2 UNC	2
11	325-5	HHCS, 1/2 x 1-1/4 UNC	10
12	42217	Boom Mount ASM, LH	1
13	42222	Boom Mount ASM, RH	1
**	92-8533	Boom Mounting Bracket	2
15	3217-6	Hex Nut, 5/16 UNC	14
16	3256-3	Flat Washer, 5/16	6
17	322-7	HHCS, 5/16 x 1-1/2 UNC	2
18	42711	Boom Support ASM, LH	1
19†	3256-62	Flat Washer, 1"	2
20	42707	Support Bracket ASM	2
21	3256-23	Flat Washer, 5/16"	6
22	3230-1	Carriage Bolt, 5/16 x 3/4 UNC	4
23	32146-17	Lock Nut, 1/4 UNC	10
24†	42196	Compression Spring	2
25†	42706	Breakaway Pivot ASM	2
26	42282	Extension Boom Pipe ASM	2
27	3256-4	Flat Washer, 3/8	4
28	92-3749	Freeze Plug	2
29	321-10	HHCS 1/4 x 1-3/4 UNC	8
30†	42243	Hinge ASM	2
31†	32121-78	Spring Pin 1/4 x 2	2

† - Denotes parts available in an assembled unit. Order #42840 Breakaway Assembly

#	Part No.	Description	Qty
32	42257	Spacer Tube 1"	2
33	42199	HHCS 1/2 x 18 UNC	2
34	42234	Center Boom Angle	2
35	92-8420	Boom Cap	4
36	40493	Center Boom Pipe	1
37	325-10	HHCS 1/2 x 2-1/2 UNC	2
38	32153-2	Lock Nut 3/8 UNC	2
39	40494	Clamp ASM	2
40	323-6	HHCS 3/8 x 1 UNC	2
41	42710	Boom Support ASM, RH	1
42	3272-11	Cotter Pin 1/8 x 1	6
43	42195	Clevis 1/2 x 2	2
44†	361011	Grease Fitting	2
45	42194	Clevis 1/2 x 4-1/2	2
46	42240	Strut ASM	2
47	301950	U-Bolt 5/16 UNC	2
48	3217-11	Hex Nut 5/8	4
49	42237	Adjustable Clevis ASM	2
50	92-0010	U-Bolt	4
51	3256-2	Flat Washer 1/4	8
52	42227	Main Frame Tube	1
53	104-8761	Boom Support Strap	2
54	104-9073	Valve Mounting Bar	1
55	42562	R-Clamp	1
56	104-9072	Valve Support Bracket	1
57	104-9153	Boom Valve Bracket	1
58	100-8478	Tee Bracket	1
59	32128-20	Flange Nut - 5/16 - 18	9
60	32128-33	Flange Nut - 1/4 - 20	4
61	3234-5	Flange Screw - 5/16 - 18	6
62	3234-4	Flange Bolt - 1/4 - 20	4

** In Parts Carton Ass'y that is strapped to Step Plate.



1103-4

TURRET BODIES & BOOM HOSES

#	Part No.	Description	Qty	#	Part No.	Description	Qty
*	95-9183	Turret Body - Double Barb (Incl. Ref. #'s 1-14)	7	15	95-9201	Single Hose Barb	1
*	95-9181	Turret Body - Single Barb (Incl. Ref. #'s 1-13 & 15)	3	16	95-9187	Nozzle Dust Cap (Incl. Ref. #17)	22
*	95-9184	Turret Body - Barb x 1/2 NPT (Incl. Ref. #'s 1-13 & 20)	1	17	40998	Seat Gasket	33
1	99-0811	Screw	1	18	95-9186	Nozzle Cap 90° (Incl. Ref. #17)	11
2	99-0812	Upper Clamp	1	19	95-9188	TTJ10 Turbo TurfJet (Std.)	11
3†	05-9191	O-Ring	1		95-9221	TTJ2 Turbo TurfJet (Optional)	11
4	95-9192	Split - Eyelet Body	1		95-9222	TTJ4 Turbo TurfJet (Optional)	11
5	95-9197	E-Clip	1		95-9223	TTJ5 Turbo TurfJet (Optional)	11
6	95-9196	Turret	1		95-9224	TTJ6 Turbo TurfJet (Optional)	11
7†	95-9198	O-Ring	1		95-9225	TTJ8 Turbo TurfJet (Optional)	11
8	95-9200	Plug	1		95-9226	TTJ15 Turbo TurfJet (Optional)	11
9†	95-9199	O-Ring	1	20	95-9203	Hose Barb x 1/2 NPT	1
10†	99-0815	O-Ring Dust Seal	1	21	95-9314	90° Elbow, 1/2" FPT x 3/4" H.B.	1
11†	99-0813	Seal	1	22	95-9185	Turret Body Clamp	11
12†	41003	Diaphragm	1	23	92-0045	Hose Clamp, 3/4" Hose	22
13	95-9193	End Cap ASM	1	24	41340	Boom Hose, 3/4" x 50"	3
14	95-9202	Double Hose Barb	1	25	40506	Jumper Hose, 3/4" x 19"	6
				26	95-2229	Jumper Hose, 3/4" x 21"	2
				27	99-0814	Pivot Pin, 303 SS	1

* Not Illustrated

† Denotes parts in Seal Kit # 99-0816

PRODUCT CHANGES

In an effort to make improvements available to TORO owners as quickly as possible, minor changes are incorporated into Toro's Products from time to time that do not become immediately shown in the Parts Catalog. If such a change has been made in your unit which is not reflected in your manual, see your TORO distributor or his Authorized TORO Service Dealer for information and part numbers.

IDENTIFICATION AND ORDERING

MODEL AND SERIAL NUMBERS

The Multi Pro® 5600 Turf Sprayer has two identification numbers; a model number and a serial number. The two numbers are stamped on a plate which is located behind the left front fender of the vehicle. In any correspondence concerning the unit, supply the model number and serial numbers to ensure correct information and replacement parts are obtained.

To order replacement parts from an Authorized TORO Service Dealer, supply the following information:

1. Model and serial number of your Multi Pro 5600.
2. Part number, description, and the quantity of part(s) desired.

NOTE: Do not order by reference number if a parts catalog is being used; Use the PART NUMBER.

NOTES:

NOTES:



Helping you put quality into play.®