



Multi-Pro[®] 1200 Turf Sprayer

Model No. 41107—230000001 and Up

Parts Catalog

Ordering Replacement Parts

To order replacement parts, please supply: the part number, the quantity, and the description of each part desired.

Understanding Reference Numbers

Each identified part in an illustration has a reference number. The reference number for a part also appears in the parts list, along with other information about the part.

This catalog uses two special reference number formats, one to indicate parts in a service assembly and another to indicate the quantity of a given part in an illustration.

Service Assembly Reference Numbers

Parts in service assemblies have reference numbers in the form **a:b**. The **a** represents the reference number of the entire service assembly and the **b** represents a sequential number unique to each part within the service assembly.

For example, a wheel assembly might be identified by reference number **6**, the tire by **6:1**, the valve by **6:2**, and the wheel by **6:3**. When you order the assembly identified by reference number **6**, you receive all parts identified by reference numbers **6:1**, **6:2**, and **6:3**. However, you may also order any part individually.

Reference numbers of this type appear in illustrations and in part lists.

Reference Numbers Indicating Quantity

In an illustration, if a reference number indicates more than one part, the reference number has the form **nX y**. The **n** represents the quantity of the part, the **X** is the multiplication symbol, and the **y** represents the reference number.

For example, in an illustration, the reference number **2X 37** means that two of the parts identified by reference number **37** are indicated.

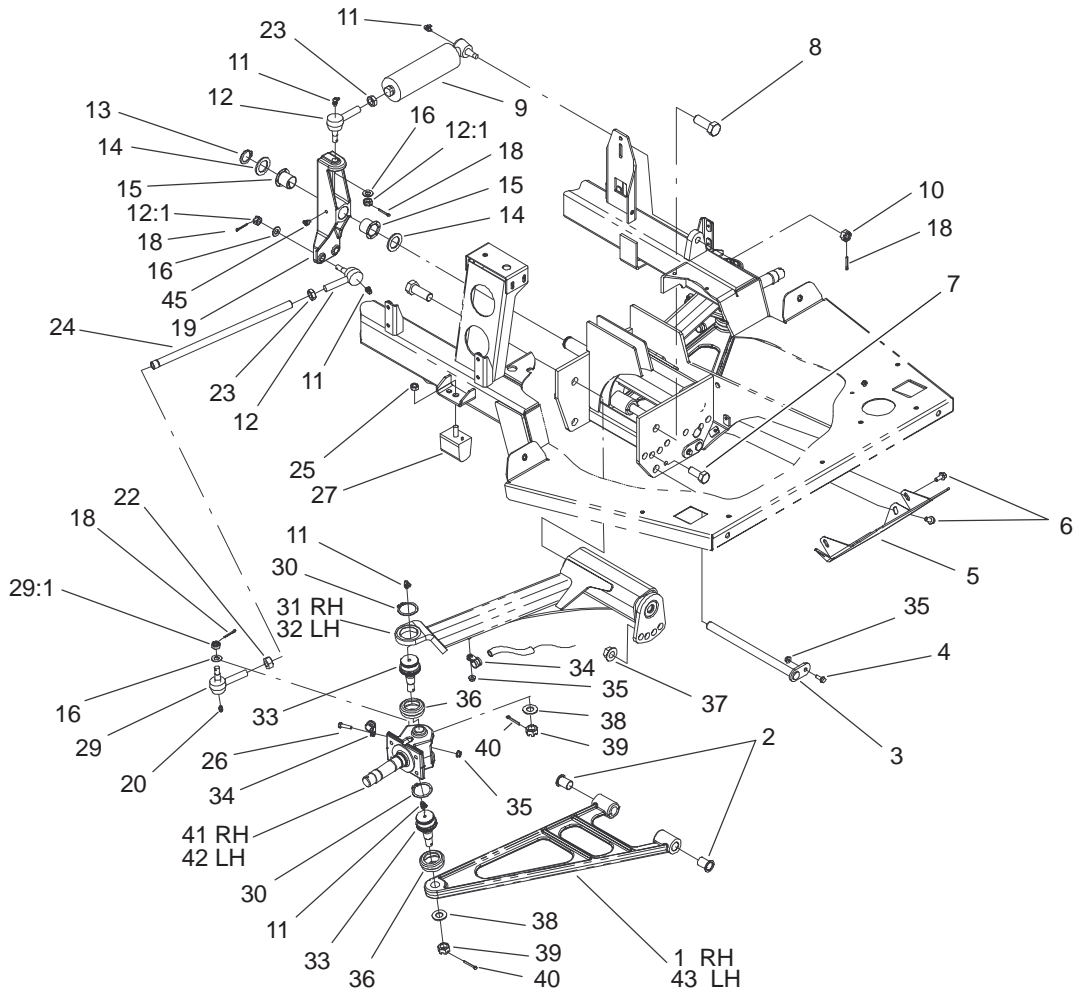
Contents

Description	Page	Description	Page
Front Suspension Assembly	4	Drain Screw Assembly	51
Steering Cylinder Assembly No. 100–8278	5	Top Mounted Suction Assembly	52
Engine Cover Assembly	6	Lower Sprayer Component Assembly	53
Seat Support Assembly	8	Safety Valve Assembly No. 100–6820	54
Brake and Accelerator Pedal Assembly	9	Transaxle Case Assembly	
Master Cylinder Assembly No. 94–3800	10	Transaxle Assembly No. 104–9078	55
Rear Fender and Battery Mount Assembly	11	Transaxle Gear Shaft Assembly	
Right Hand Boom Mount		Transaxle Assembly No. 104–9078	56
Assembly No. 106–4960	12	Countershaft Assembly	
Left Hand Boom Mount Assembly No. 106–4961	13	Transaxle Assembly No. 104–9078	57
Fresh Water Tank Assembly	14	Shift Fork Assembly	
Fresh Water Tank Assembly No. 100–8438 ...	15	Transaxle Assembly No. 104–9078	58
Shifter Assembly	16	Differential Gear Assembly	
Parking Brake and Console Assembly	17	Transaxle No. 104–9078	59
Front Wheel Assembly	18	Vehicle Electrical Schematic	60
Front Brake Assembly No. 100–8285	19	Vehicle Hydraulic Schematic	61
Transaxle Installation Assembly	20	Spray System Electrical Schematic	62
Rear Wheel Assembly	21	Spray System Flow Diagram	63
Rear Brake Assembly No. 93–7125 (Right)		Crankshaft Assembly	
and 93–7126 (Left)	22	Kohler CH20S–64647	64
Driveshaft Assembly No. 98–2918	23	Crankcase Assembly	
Engine Installation Assembly	24	Kohler CH20S–64647	65
Gearbox Assembly No. 99–0663	26	Oil Pan / Lubrication Assembly	
Drive Pulley Assembly No. 100–8289	27	Kohler CH20S–64647	66
Steering Pump Assembly No. 100–8302	28	Head / Valve / Breather Assembly	
Driver Clutch Assembly No. 100–8288	29	Kohler CH20S–64647	67
Pump Installation Assembly	30	Ignition / Electrical Assembly	
Pump Assembly No. 106–5121	31	Kohler CH20S–64647	68
Hydraulic Brake Line Assembly	32	Blower Housing and Baffle Assembly	
Tank and Saddle Assembly	33	Kohler CH20S–64647	69
Spray Tank Assembly No. 104–9020	34	Starting System	
Spray Tank Lid Assembly No. 94–7088	35	Kohler CH20S–64647	70
Throttle Linkage Assembly	36	Fuel System Assembly	
Exhaust Assembly	37	Kohler CH20S–64647	71
Electrical Panel Assembly	38	Engine Controls	
Manual Control Assembly	39	Kohler CH20S–64647	72
Hydraulic Hose Routing Assembly	45	Air Intake / Filtration Assembly	
Steering Control Assembly No. 92–3502	46	Kohler CH20S–64647	73
Tank Hose Assembly	47	Exhaust Assembly	
Sprayer Component Assembly	49	Kohler CH20S–64647	74

Part Description Abbreviations

Part descriptions in this catalog may include the following abbreviations.

Abbreviation	Meaning	Abbreviation	Meaning
AR	as required	HYD	hydraulic
ASM	assembly	INC	incorporated
CARR	carriage	LH	left hand
DEG	degrees	NI	nylon insert
FH	flat head	PPH	Phillips pan head
GA	gauge	PTH	Phillips truss head
HF	hex flange	PTO	power take off
HH	hex head	RH	right hand
HHF	hex head flange	SFH	slotted fillister head
HLH	hex lag head	SHH	slotted hex head
HJ	hex jam	SQH	square head
HOC	height-of-cut	SHWH	slotted hex washer head
HS	hex socket	SPH	slotted pan head
HSBH	hex socket button head	SRH	slotted round head
HSFH	hex socket flat head	STD	standard
HSH	hex socket head	TAP	self tapping
HWH	hex washer head	TTH	Torx truss head
HWHTF	hex washer head thread forming	WH	wing head

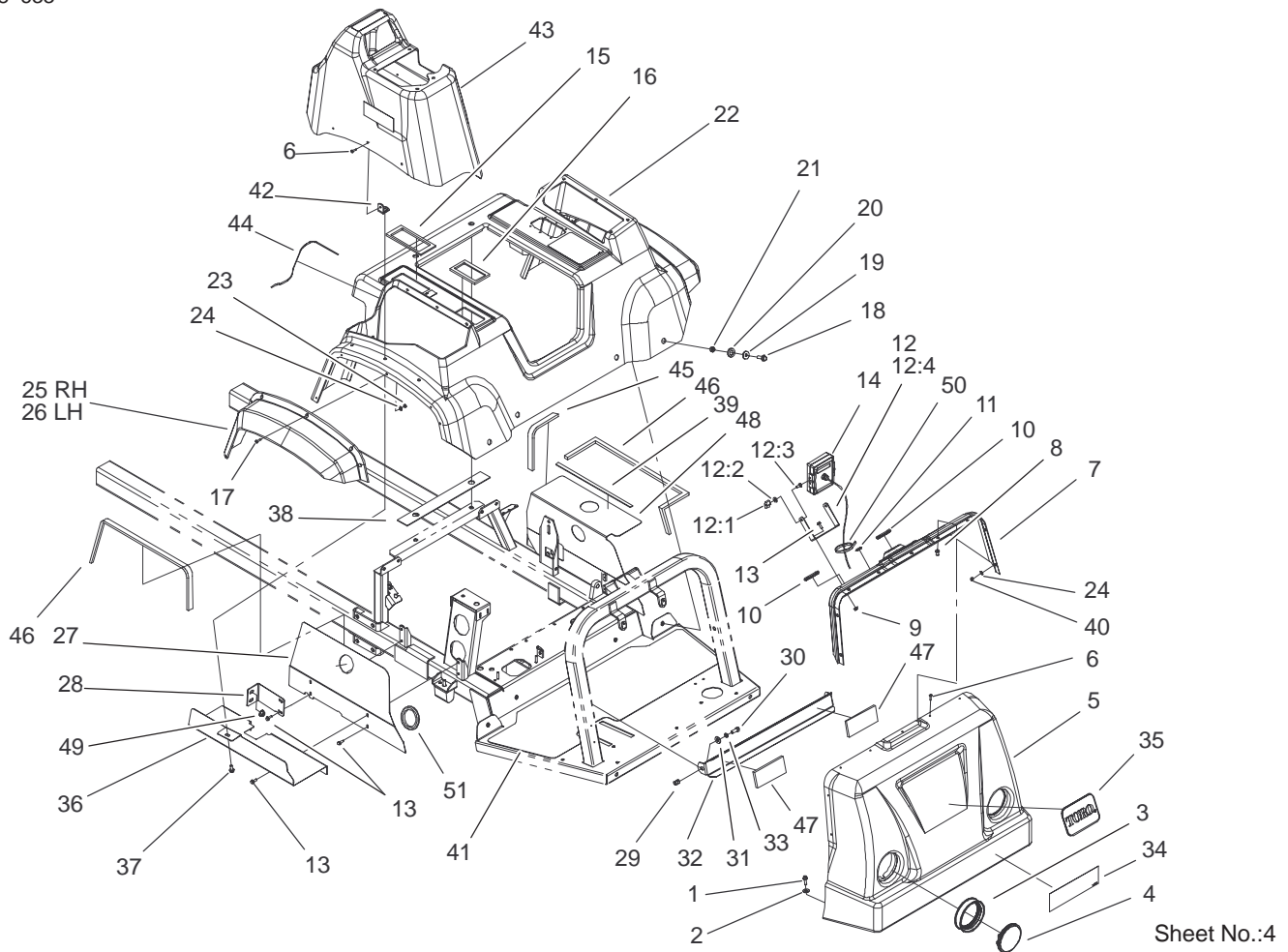


Sheet No.:2

Front Suspension Assembly

Ref. No.	Part No.	Qty.	Description
1	100-6744-03	1	RH A-Arm ASM
2	100-8541	4	Bushing-A-Arm
3	100-8544	2	Pivot Pin ASM
4	3234-4	2	Screw-HHF
5	100-7060-03	1	Plate-Skid
6	3234-5	4	Screw
7	327-4	2	Screw-HH
8	328-24	4	Screw-HH
9	100-8278	1	Cylinder-Steering
10	32136-13	1	Nut-SHH
11	302-60	8	Fitting-Grease
12	112772	3	Joint-Ball, RH
12:1	915031	1	Nut
13	100-6785	1	Ring-Retaining
14	3-6781	2	Washer-Thrust
15	256-318	2	Bearing-Nyliner
16	3256-25	5	Washer-Flat
18	3272-11	6	Pin-Cotter
19	100-6774-03	1	Pivot-Steering
20	302-5	2	Fitting-Grease
22	3218-21	2	Nut-Jam
23	3220-11	3	Nut-Jam
24	100-8534-03	2	Tie Rod-Steering
25	48-9520	2	Nut
26	321-6	2	Screw-HH
27	87-3470	2	Bumper-Axle, Rear

Ref. No.	Part No.	Qty.	Description
29	112771	2	Joint-Ball, LH
29:1	915031	1	Nut
30	32151-104	4	Ring-Retaining, External
31	100-8414	1	RH Axle ASM
32	100-8413	1	LH Axle ASM
33	87-1430	4	Joint-Ball
34	2412-134	4	R-Clamp
35	32128-33	6	Nut-HF
36	87-2420	4	Seal-Joint, Ball
37	32128-50	2	Nut-Flange
38	3256-27	4	Washer-Flat
39	32136-2	4	Nut-SHH
40	3272-17	4	Pin-Cotter
41	100-6738-03	1	Spindle-RH
42	100-6739-03	1	Spindle-LH
43	100-6745-03	1	LH A-Arm ASM
45	302-11	1	Fitting-Lube, 45°

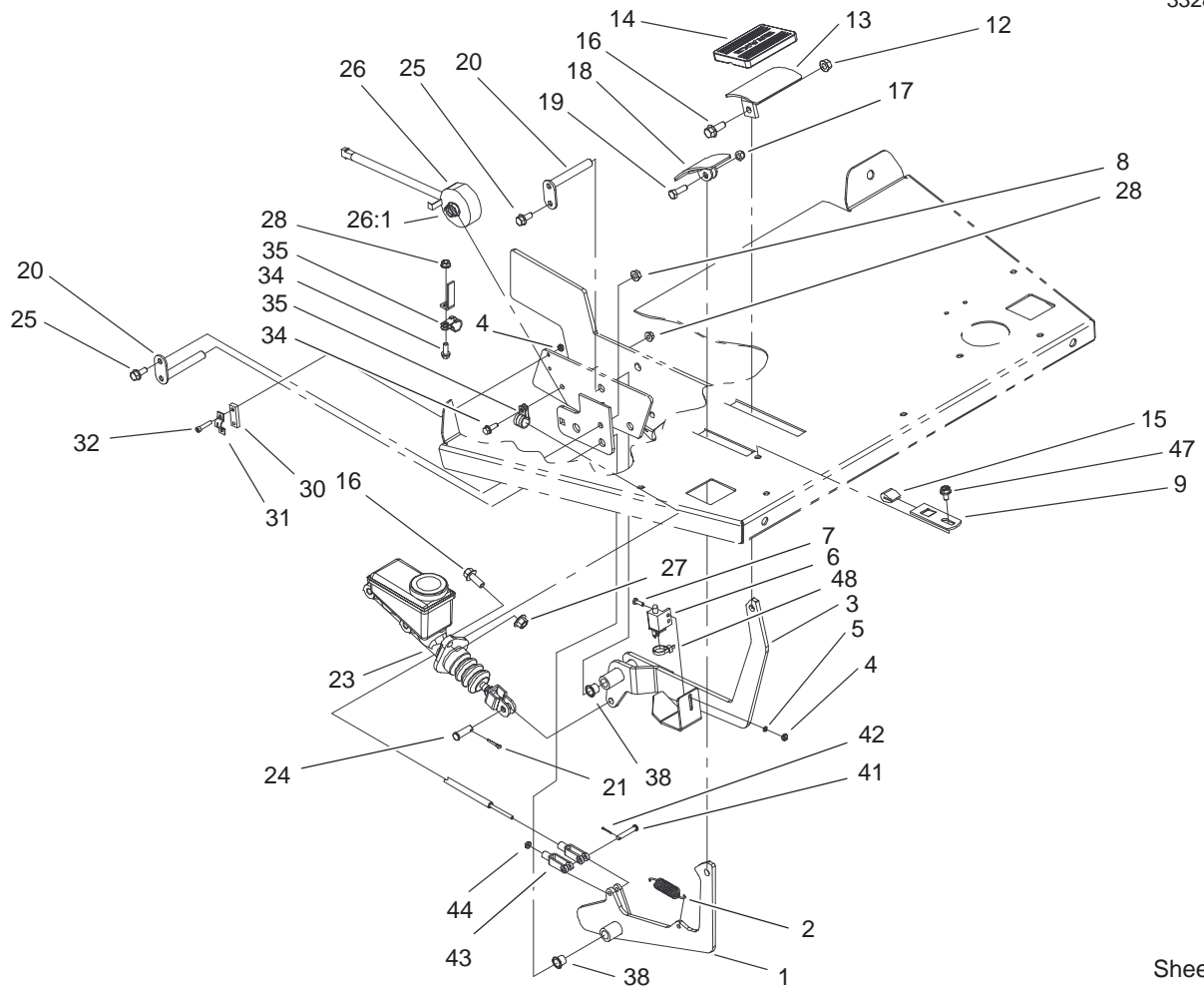


Engine Cover Assembly

Ref. No.	Part No.	Qty.	Description
1	3234-17	5	Screw-HHF
2	3256-3	5	Washer-Flat
3	99-7311	2	Mount-Headlight
4	99-7310	2	Headlight
5	100-8281	1	Hood-Front, Console
6	3250-25	15	Screw-PPH
7	100-6777	1	Dash Panel ASM
8	100-8450	17	Nut-Well
9	32128-33	2	Nut-HF
10	40764	2	Grommet
11	94-7290	1	Plug-Hole
☆12		1	Monitor Mounting Bracket Kit
12:1	99-0667	2	Knob
12:2	99-0730	2	Washer-Rubber
12:3	106-4868	2	Screw-CARR
12:4	99-0576	1	Bracket
13	3234-4	10	Screw-HHF
14	104-8990	1	Monitor-Rate
15	100-8436	1	Seal-Foam
16	100-8437	1	Seal-Foam
17	3250-13	12	Screw-PPH
18	3234-24	6	Screw-HHF
19	356308	6	Washer-Special
20	100-8468	6	Washer-Rubber
21	100-8464	6	Spacer

Ref. No.	Part No.	Qty.	Description
22	104-8875	1	Seat Base ASM
23	3217-26	12	Nut-Hex
24	3256-49	16	Washer-Flat
25	94-7074	1	Flare-Fender, RH
26	94-7075	1	Flare-Fender, LH
27	104-8848-03	1	Panel-Shield, RH
28	100-8623	2	Bracket-Engine Cover Support, Rear
29	92-3788	2	Insert
30	323-6	2	Screw-HH
31	3256-4	2	Washer-Flat
32	100-6731-03	1	Shield-Head Light
33	3253-21	2	Washer-Lock
34	104-8750	1	Decal
35	62-5550	1	Decal
36	104-8852-03	1	Panel-Fender, Inner
37	3234-5	3	Screw
38	100-8463	1	Seal-Foam
39	100-8499	2	Seal-Foam
40	3296-21	4	Nut-Lock, NI
41	100-8622	1	Tread-Floor
42	104-8854-03	3	Console Bracket ASM
43	104-8867	1	Valve Console ASM
44	104-8870	1	Trim-Edge
45	100-8444	1	Trim-Shield, Front And Rear

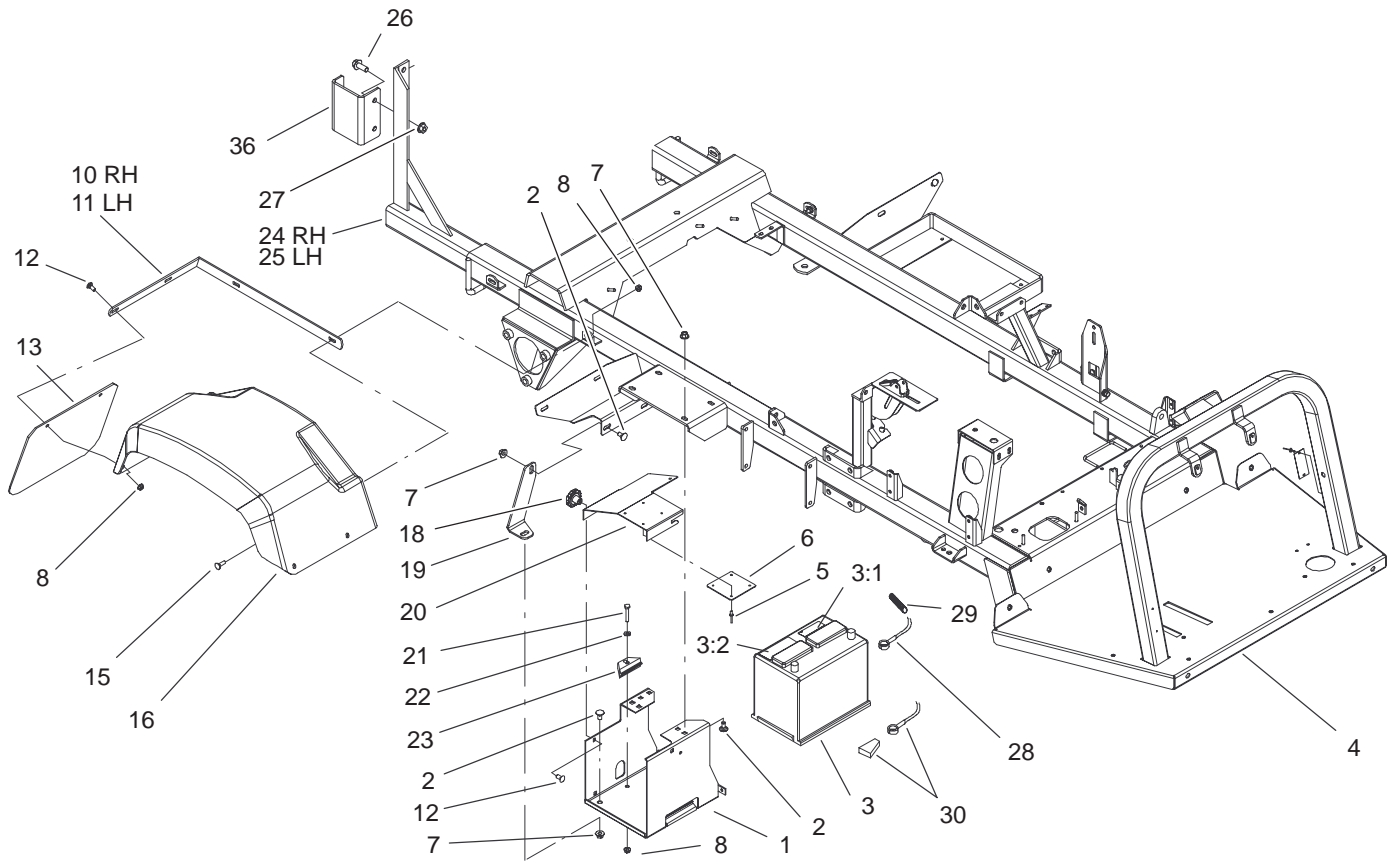
☆ Not serviced separately



Sheet No.:6

Brake and Accelerator Pedal Assembly

Ref. No.	Part No.	Qty.	Description	Ref. No.	Part No.	Qty.	Description
1	100-8367-03	1	Accelerator-Lever	30	100-8561	1	Plate-Spacer
2	67-1450	1	Spring-Idler, Deck	31	100-8560	1	Bracket-Throttle Cable
3	100-8553-03	1	Brake-Lever	32	3274-81	2	Screw-HSH
4	3217-26	4	Nut-Hex	34	3234-4	2	Screw-HHF
5	3253-17	2	Washer-Lock/Sp	35	2412-134	2	R-Clamp
6	92-0305	1	Switch	38	256-257	4	Flange-Nyliner
7	3290-134	2	Screw	41	283-66	1	Pin-Clevis
8	32128-20	2	Nut-HF	42	3272-1	1	Pin-Cotter
9	104-8791-03	1	Plate-Pedal Stop	43	282-28	1	Clevis-Adjustable
12	32128-21	1	Nut-HF	44	3219-14	1	Nut-Hex
13	100-8422-03	1	Bracket-Pedal	47	3234-28	1	Screw-HHF
14	7-3900	1	Pad-Brake	48	3290-379	1	Tie-Cable
15	100-6702	3	Stop-Lever, Pedal				
16	3234-11	3	Screw-HHF				
17	32153-3	1	Nut-Lock				
18	93-8969-03	1	Pedal				
19	322-5	1	Screw-HH				
20	100-8554	2	Pin-Pivot				
21	3272-10	1	Pin-Cotter				
23	94-3800	1	Master Cylinder ASM				
24	283-2	1	Pin-Clevis				
25	3234-5	2	Screw				
26	99-8090	1	Magnet ASM				
26:1	93-6601	1	Spring-Compression				
27	32128-43	2	Nut-Flange				
28	32128-33	2	Nut-HF				



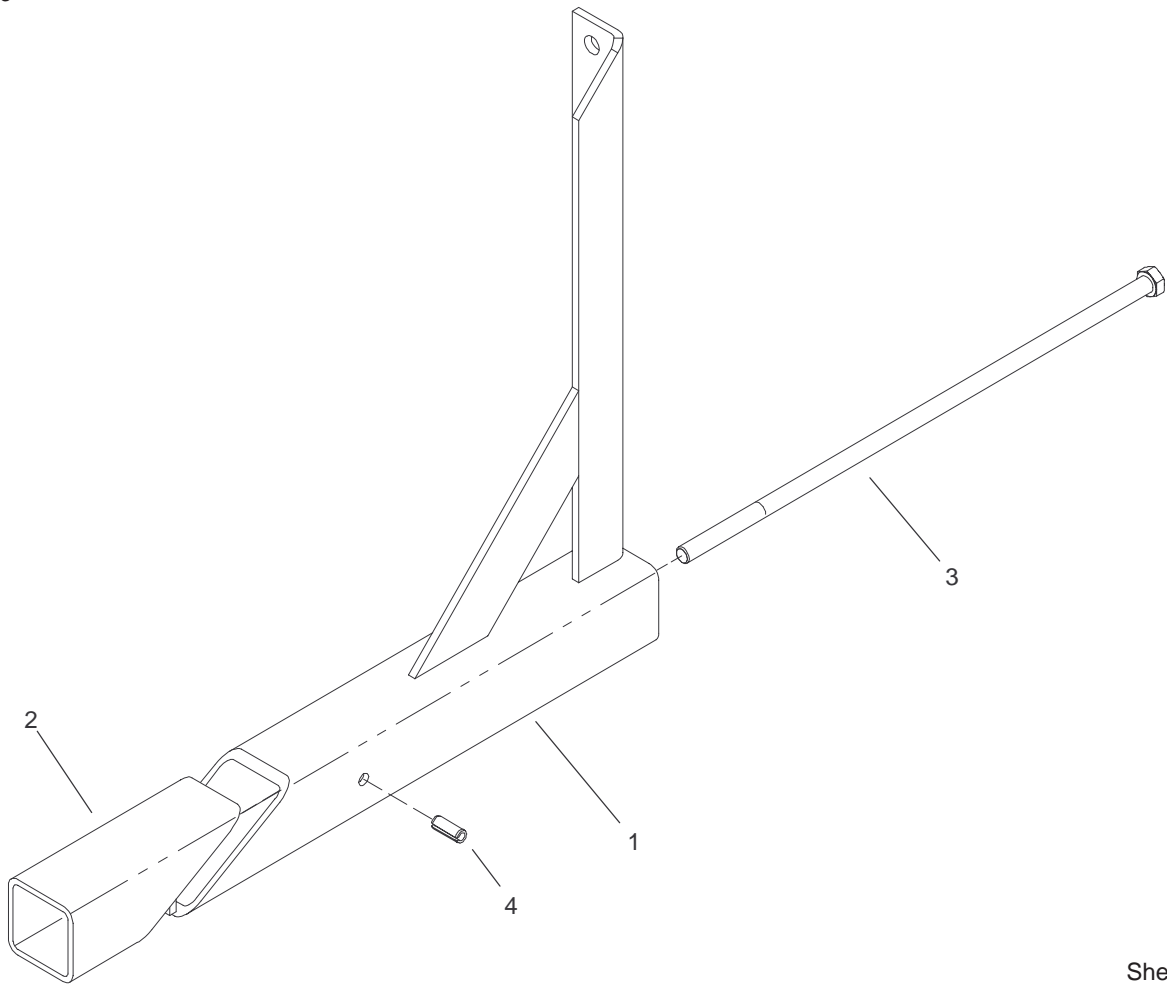
Sheet No.:7

Rear Fender and Battery Mount Assembly

Ref. No.	Part No.	Qty.	Description
1	87-5120-03	1	Bracket-Holder, Battery
2	3231-1	4	Screw-CARR
3	55-7290	1	Battery
3:1	26-7170	1	Decal-Battery, Wisco
3:2	26-7180	1	Decal-Battery
4	100-8339-03	1	Mainframe ASM
5	3269-27	4	Rivet-Snap
6	87-7620	1	Shield-Terminal, Battery
7	32128-43	4	Nut-Flange
8	32128-20	13	Nut-HF
10	100-8246-03	1	Mount-Fender, RH
11	100-8245-03	1	Mount-Fender, LH
12	3230-1	10	Bolt-CARR
13	100-8259	2	Guard-Splash
15	3230-2	4	Bolt-CARR
16	93-6498	2	Fender-Rear
18	19-4050	2	Knob
19	100-8201-03	1	Support-Battery
20	87-5130-03	1	Cover-Battery
21	322-9	1	Screw-HH
22	3256-23	1	Washer-Flat
23	66-2490	1	Retainer-Battery
24	106-4960	1	RH Boom Mount ASM
25	106-4961	1	LH Boom Mount ASM

Ref. No.	Part No.	Qty.	Description
26	3234-32	4	Screw-HHF
27	32128-49	6	Nut-HHF
28	99060	1	Cable-Ground
*28:1	106-4915	1	Cap-Protective, Blue
29	104-8742	1	Conduit-Cable, Battery
30	100-8439	1	Cable-Battery, Positive
34	3290-271	2	Rivet-Pop
36	100-8431-03	2	Bracket-Mounting, Boom

* Not illustrated

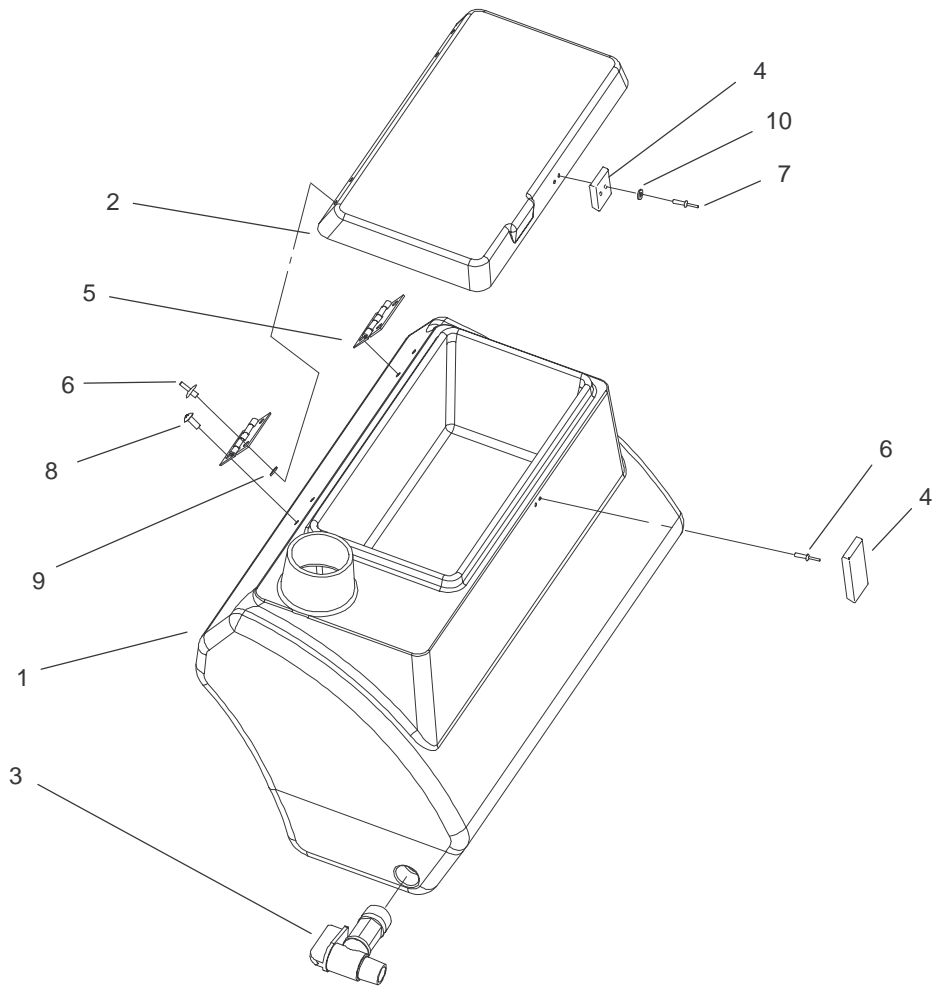


Sheet No.:A3

Right Hand Boom Mount Assembly No. 106-4960

Ref. No.	Part No.	Qty.	Description
1	42222-03	1	RH Boom Mount ASM
2	42223-03	1	Wedge-Tube ASM
3	42199	1	Bolt
4	32121-41	1	Pin-Roll

Ref. No.	Part No.	Qty.	Description

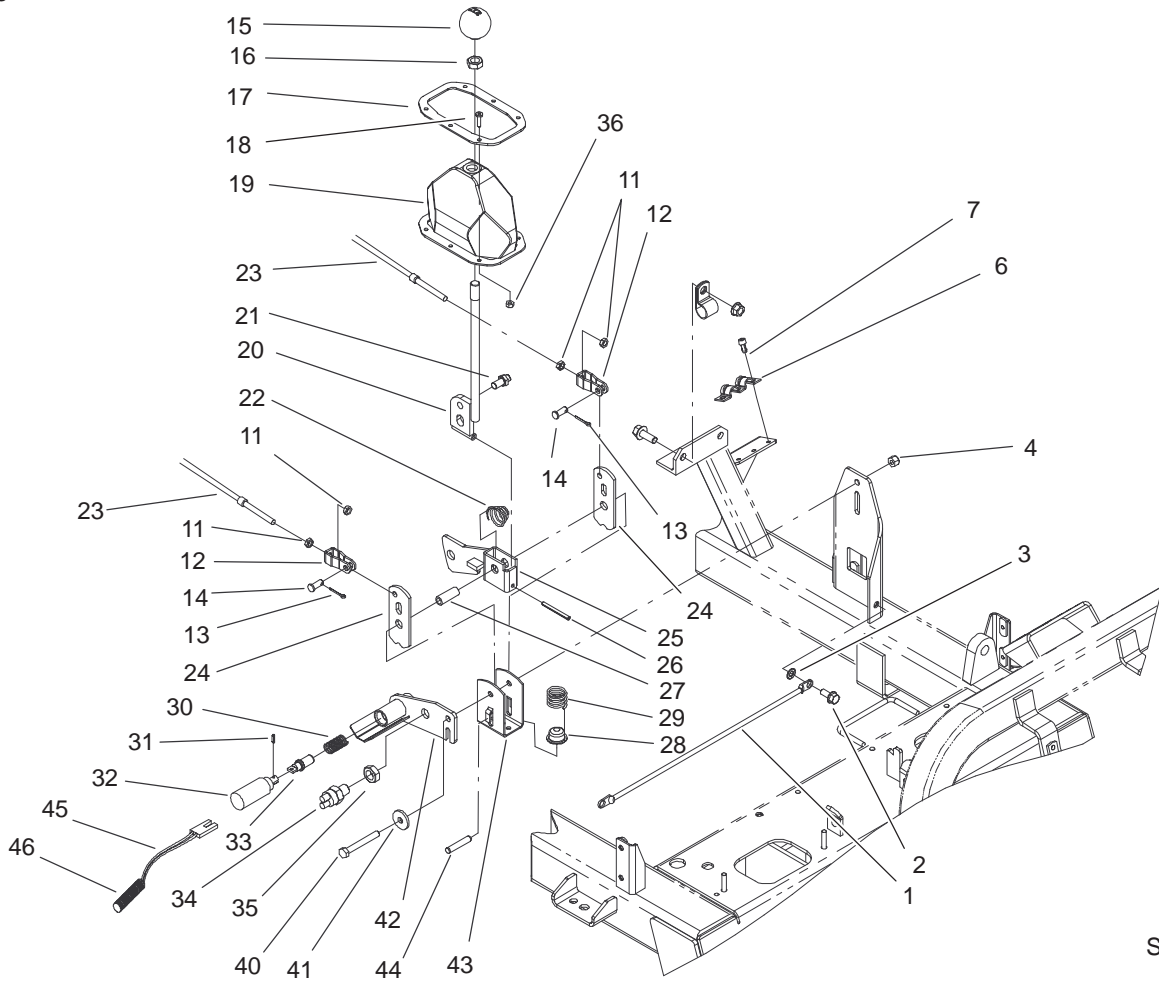


Sheet No.:A5

Fresh Water Tank Assembly No. 100-8438

Ref. No.	Part No.	Qty.	Description
1	100-8395	1	Tank-Fresh Water
2	100-8397	1	Cover-Tank
3	100-7011	1	Spigot-90°
4	100-7009	1	Latch-Draw
5	100-7010	2	Hinge
6	100-7062	4	Rivet
7	100-7063	4	Rivet
8	100-7064	4	Screw
9	100-7065	4	Washer
10	100-7066	2	Washer

Ref. No.	Part No.	Qty.	Description

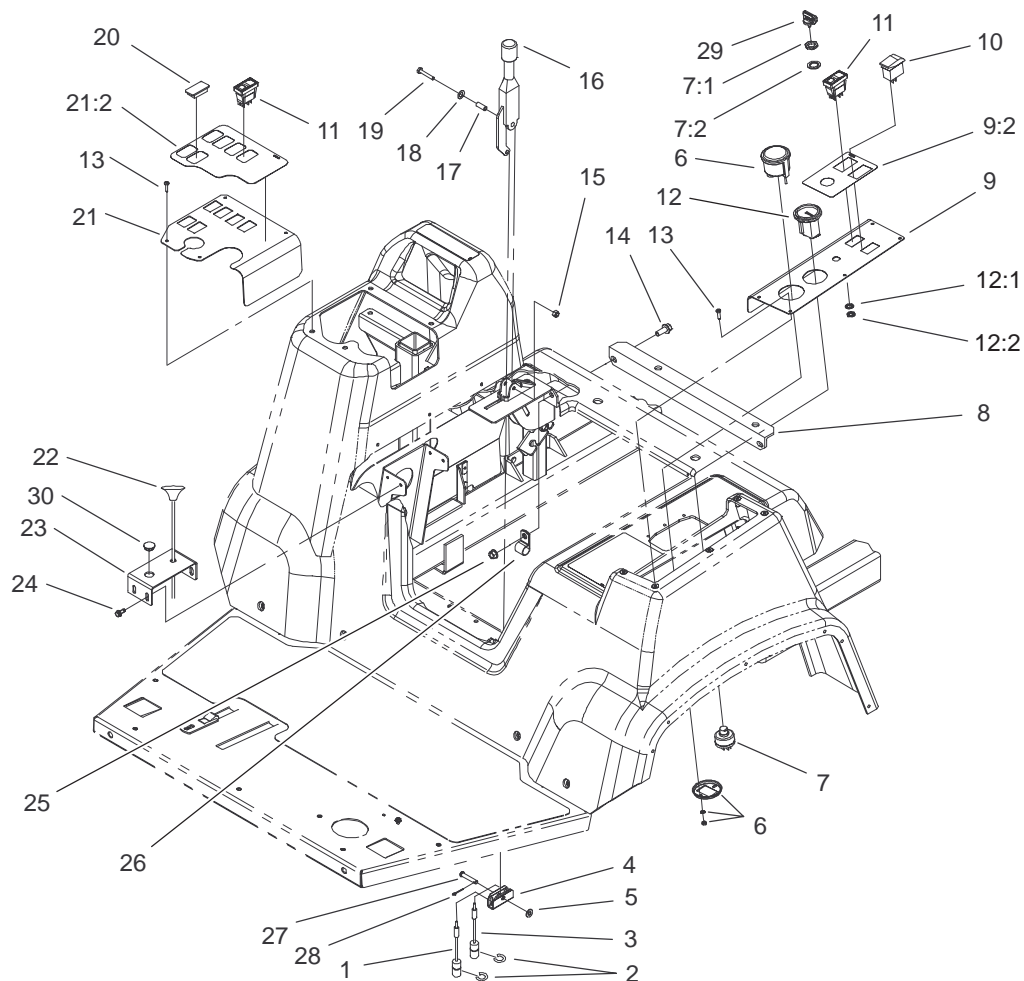


Sheet No.:9

Shifter Assembly

Ref. No.	Part No.	Qty.	Description
1	42617	1	Cable-Ground
2	3234-5	1	Screw
3	3255-8	1	Washer-Lock
4	3296-29	1	Nut-Lock, NI
6	87-4960	1	Clamp-Cable
7	65-5220	3	Screw-Forming, Thread
11	3220-1	4	Nut-Jam
12	87-2310	2	Clevis-Cable
13	3272-6	2	Pin-Cotter
14	283-62	2	Pin-Clevis
15	87-6720	1	Knob-Shift
16	3218-18	1	Nut-Jam
17	87-3760-03	1	Plate-Boot, Shift
18	3250-13	6	Screw-PPH
19	87-8620	1	Shift Boot ASM
20	87-2040	1	Shift Lever ASM
21	87-3650	1	Pin-Shift
22	87-2900	1	Spring-Compression
23	100-8359	2	Cable-Shift, R/I
24	87-3540	2	Link-Shift
25	100-6749	1	Shifter Bracket ASM
26	32121-48	1	Pin-Spring
27	87-2520	1	Tube-Pivot
28	87-3530	1	Button-Shifter
29	87-3660	1	Spring-Compression

Ref. No.	Part No.	Qty.	Description
30	100-6754	1	Spring-Compression
31	32121-7	1	Pin-Spring
32	100-6741	1	Solenoid
33	100-6746	1	Pin-Shift Limiter
34	83-1890	1	Switch-Ball
35	3220-11	1	Nut-Jam
36	3296-2	6	Nut-Lock
40	322-12	1	Screw-HH
41	356303	1	Washer
42	100-6747	1	Solenoid Mount ASM
43	87-3520	1	Clevis
44	3290-507	1	Pin-Dowel
45	100-6751	1	Harness-Shift Limiter
46	100-7072	1	Protector-Wire

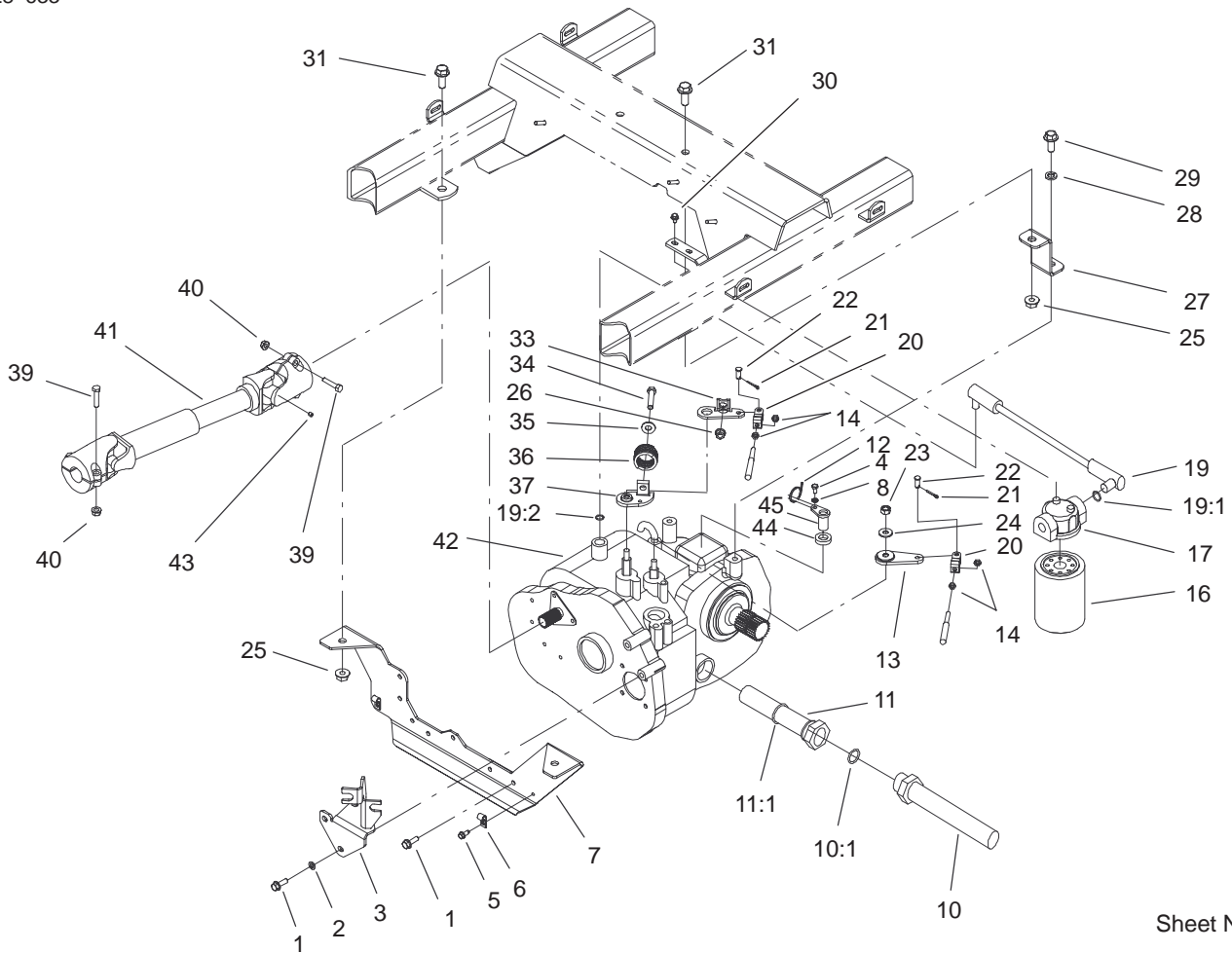


Sheet No.:10

Parking Brake and Console Assembly

Ref. No.	Part No.	Qty.	Description
1	87-8240	1	Cable-Brake
2	32120-47	2	Ring-Retaining, External
3	100-8261	1	Cable-Park Brake, RH
4	87-3480	1	Bracket-Equalizer, Cable
5	3256-23	1	Washer-Flat
6	42610	1	Voltmeter
7	83-0020	1	Switch-Starter
7:1	218-461	1	Nut-HH
7:2	3254-5	1	Washer-Tooth
8	100-8532-03	1	Angle-Seatbox
9	100-8452	1	Vehicle Control Panel ASM
9:2	100-8470	1	Decal-Controls
10	100-8469	1	Switch-Rocker
11	104-9007	2	Switch-Rocker
12	66-2950	1	Gauge-Hourmeter
12:1	3255-20	2	Washer-Lock
12:2	3217-25	2	Nut-Hex
13	3250-25	9	Screw-PPH
14	3234-11	2	Screw-HHF
15	3296-42	1	Nut-Lock, NI
16	87-2710	1	Lever-Brake
17	87-4710	1	Spacer-Brake, Parking

Ref. No.	Part No.	Qty.	Description
18	3290-477	1	Washer-Curved
19	321-9	1	Screw-HH
20	99-7420	5	Plug-Hole
21	104-8866	1	Spray Control Panel ASM
21:2	104-8749	1	Decal-Spray Control
22	41697	1	Choke-Control
23	100-8385-03	1	Bracket-Throttle Speed
24	32144-10	4	Screw-HWH
25	32128-21	2	Nut-HF
26	2412-81	2	Clamp
27	94-3829	1	Pin-Clevis
28	3272-6	1	Pin-Cotter
29	63-8360	1	Key-Ignition
30	93-0830	1	Plug-Hole

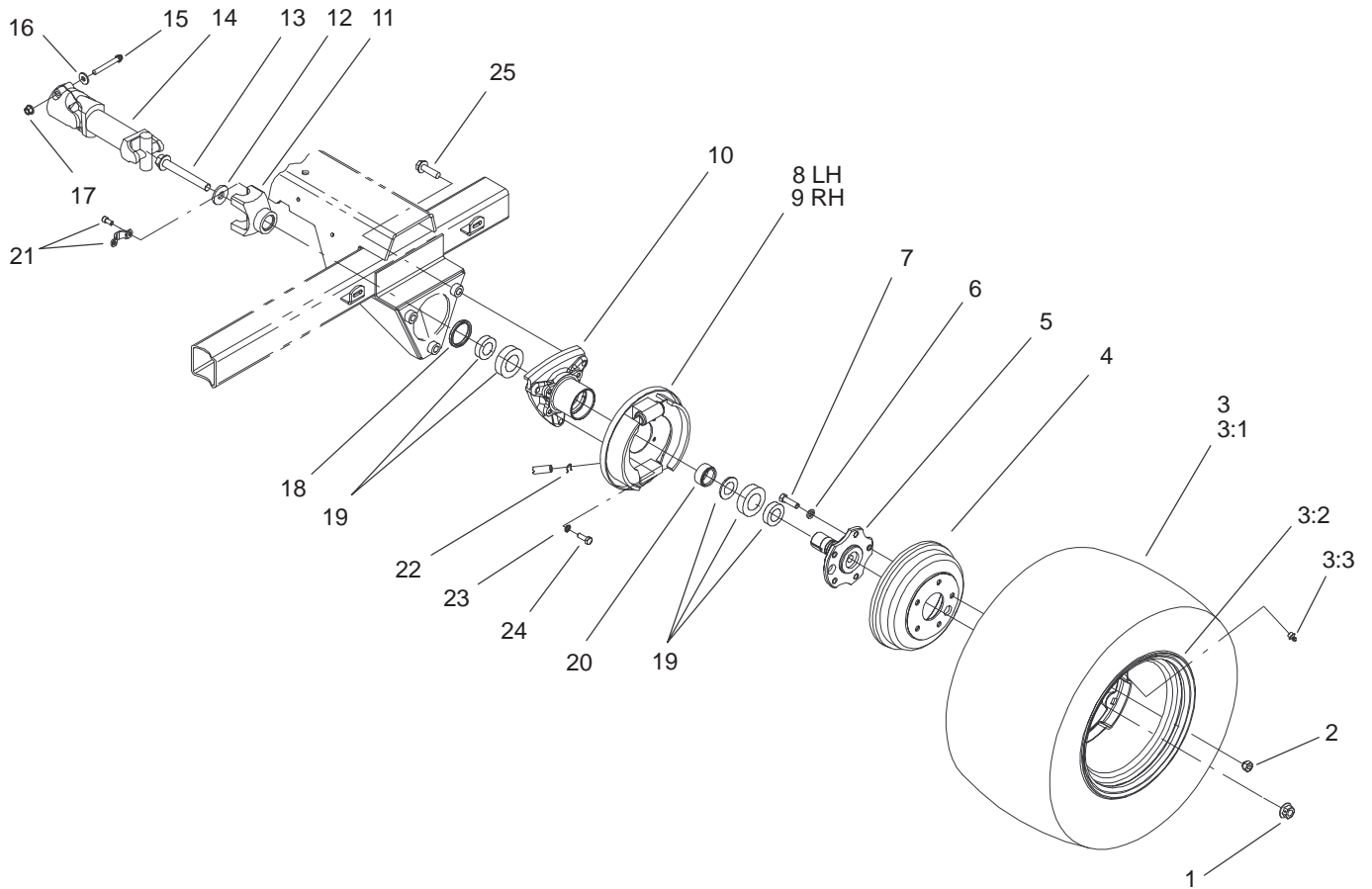


Sheet No.:13

Transaxle Installation Assembly

Ref. No.	Part No.	Qty.	Description
1	33104-025	10	Screw-HHF
2	3253-4	10	Washer-Lock
3	100-8303-03	1	Mount-Cable
4	33113-012	1	Screw-HH
5	32144-10	2	Screw-HWH
6	2412-89	2	Clamp
7	100-8531-03	1	Transaxle-Mount
8	48-8020	1	Washer-Spring
10	100-8250	1	Hose-Suction
10:1	237-81	1	O-Ring
11	87-3990	1	Strainer-Transaxle
11:1	237-123	1	O-Ring
12	3290-379	1	Tie-Cable
13	87-7960	1	Lever-Shift
14	3220-1	4	Nut-Jam
16	54-0110	1	Filter-Oil, Transmission
17	87-8780	1	Head-Filter
19	100-8254	1	Hose-Axle Return
19:1	237-79	1	O-Ring
19:2	237-42	1	O-Ring
20	87-2310	2	Clevis-Cable
21	3272-6	2	Pin-Cotter
22	283-62	2	Pin-Clevis
23	48-9520	2	Nut
24	80-6990	2	Washer-Hardened

Ref. No.	Part No.	Qty.	Description
25	32128-49	2	Nut-HHF
26	32128-21	1	Nut-HF
27	100-8220-03	2	Strap-Transaxle Mount
28	3253-7	2	Washer-Lock
29	33106-030	2	Screw-HHF
30	3234-33	2	Screw-HHF
31	3234-32	4	Screw-HHF
33	87-8250	1	Plate-Arm, Shift
34	323-10	1	Screw-HH
35	3256-4	1	Washer-Flat
36	87-6910	1	Spring-Compression
37	87-7970	1	Arm-Shift
39	322-7	4	Screw-HH
40	3296-29	4	Nut-Lock, NI
41	100-8293	1	Drive Shaft-Input
42	104-9078	1	Transaxle
43	3245-32	1	Screw-HS
44	92-3735	1	Oil Seal-Sensor
45	85-4350	1	Sensor-Geartooth

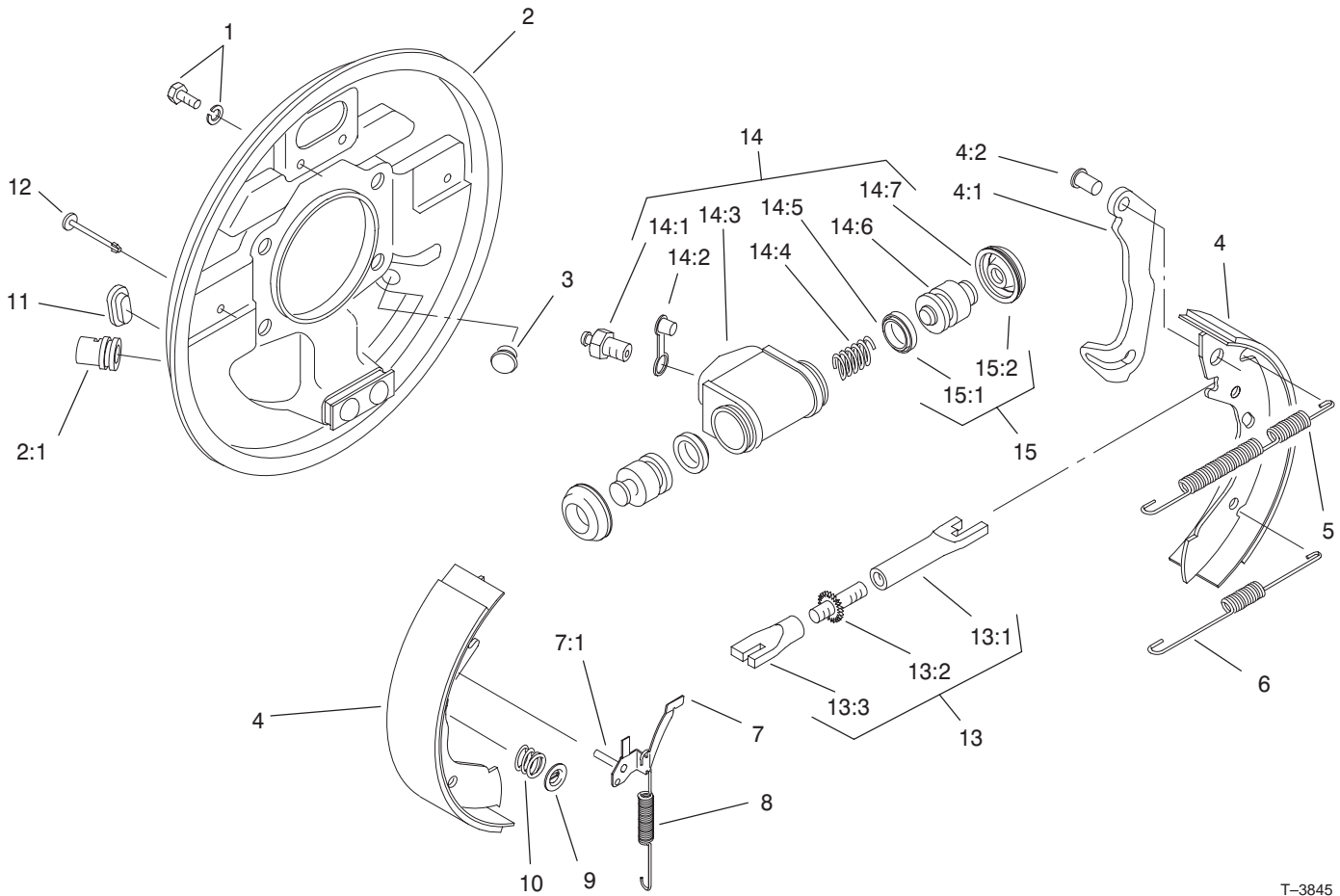


Sheet No.:14

Rear Wheel Assembly

Ref. No.	Part No.	Qty.	Description
1	105-1764	2	Nut-Flange, Side Lock
2	321077	10	Nut-Wheel
3	87-5370	2	Rear Tire And Wheel ASM
3:1	87-6740	1	Tire-Rear
3:2	87-6750	1	Wheel
3:3	232-27	1	Stem-Valve
4	93-7128	2	Drum-Brake
5	105-1717-03	2	Axle-Stub
6	3253-6	10	Washer-Lock
7	87-2080	10	Bolt-Hex, TAP
8	93-7126	1	LH Rear Brake ASM
9	93-7125	1	RH Rear Brake ASM
10	87-2240-03	2	Housing-Axle
11	92-4190	2	Yoke
12	104-9216	2	Washer-Hardened
13	105-1763	2	Screw-Hfh
14	98-2918	2	Driveshaft ASM
15	98-2939	4	Screw-Cap
16	80-6990	4	Washer-Hardened
17	32128-36	4	Nut-HF
18	87-3590	2	Seal-Bearing
19	87-1970	2	Bearing
20	87-4060	2	Spacer-Bearing, Wheel
21	92-4189	2	Strap And Bolt Kit

Ref. No.	Part No.	Qty.	Description
22	87-3310	2	Clip-Cable, Brake
23	3253-21	8	Washer-Lock
24	323-6	8	Screw-HH
25	3234-22	6	Screw-HHF



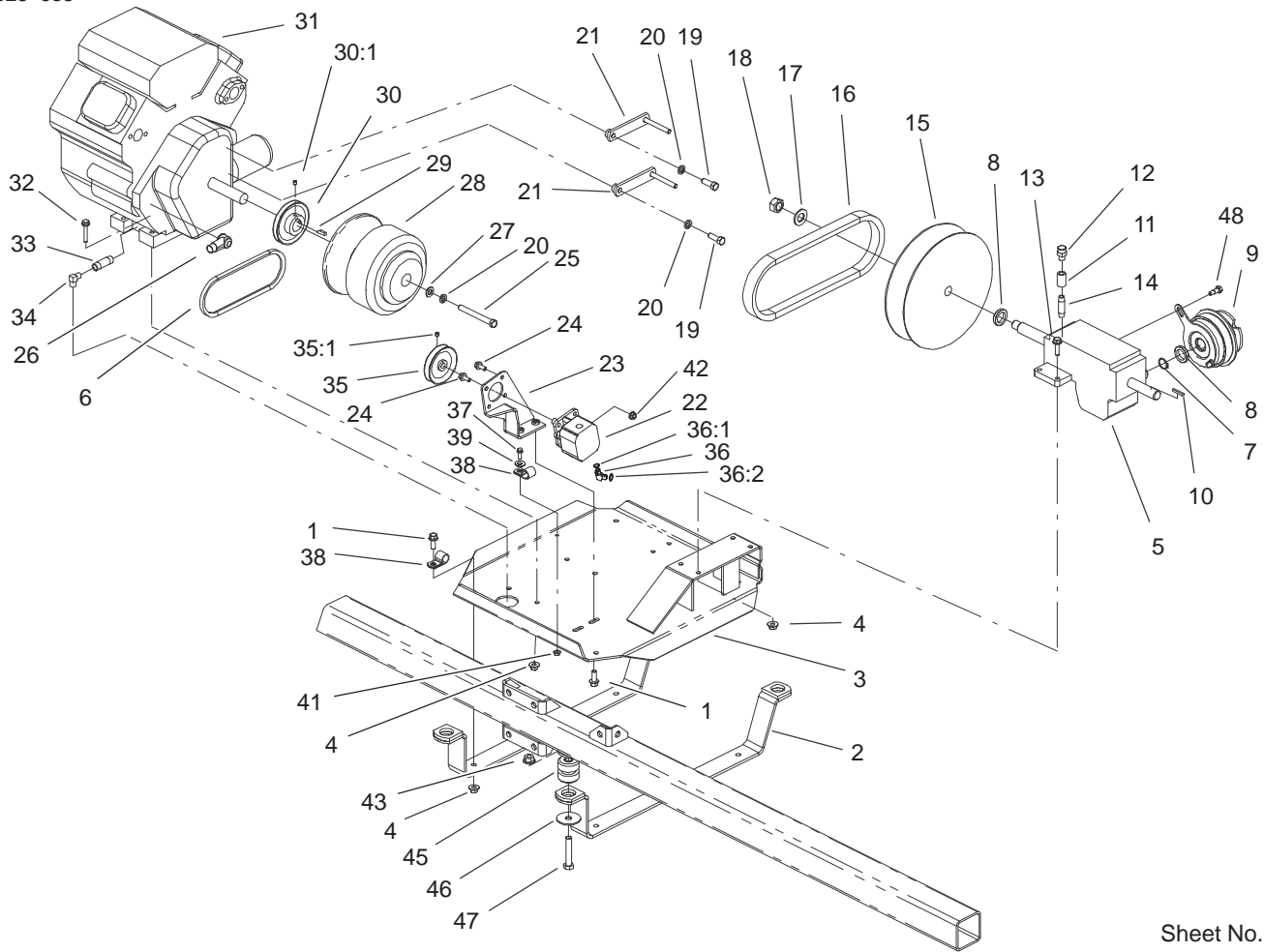
T-3845
Sheet No.:A7

Rear Brake Assembly No. 93-7125 (Right) and 93-7126 (Left)

Ref. No.	Part No.	Qty.	Description
1	92-4135	2	Bolt-Set
2	92-4100	1	RH Backplate ASM
2	92-4136	1	LH Backplate ASM
☆2:1		1	Guide-Pipe
3	92-4146	1	Plunger ASM
4	92-4143	1	Lined Shoe Kit
☆4:1		1	Lever-Operating
☆4:2		1	Pin
5	92-4148	1	Spring-Shoe Ret, Upper RH
5	92-4147	1	Spring-Shoe Ret, Upper LH
6	92-4149	1	Spring-Shoe Ret, Lower
7	92-4123	1	LH Pawl Lever ASM
7	92-4124	1	RH Pawl Lever ASM
☆7:1		1	Pin-Pawl
8	92-4151	1	Spring-Adjuster, RH
8	92-4150	1	Spring-Adjuster, LH
9	92-4131	2	Washer-Hold Down, Shoe
10	92-4152	2	Spring-Hold Down, Shoe
11	92-4134	1	Plug-Inspection

Ref. No.	Part No.	Qty.	Description
12	92-4133	2	Pin-Hold Down, Shoe
13	92-4144	1	LH Adjustor ASM
13	92-4145	1	RH Adjustor ASM
☆13:1		1	Pushrod-Female
☆13:2		1	Bolt-Adjuster
☆13:3		1	Sleeve-Adjuster
14	92-4141	1	RH Wheel Cylinder ASM
14	92-4140	1	LH Wheel Cylinder ASM
14:1	92-4137	1	Screw-Bleed
14:2	92-4114	1	Cap-Screw, Bleed
☆14:3		1	Body
☆14:4		1	Spring
☆14:5		2	Seal-'I' Type
☆14:6		2	Piston
☆14:7		2	Cover-Dust
15	92-4142	1	Seal Kit
☆15:1		2	Seal-'I' Type
☆15:2		2	Cover-Dust

☆ Not serviced separately

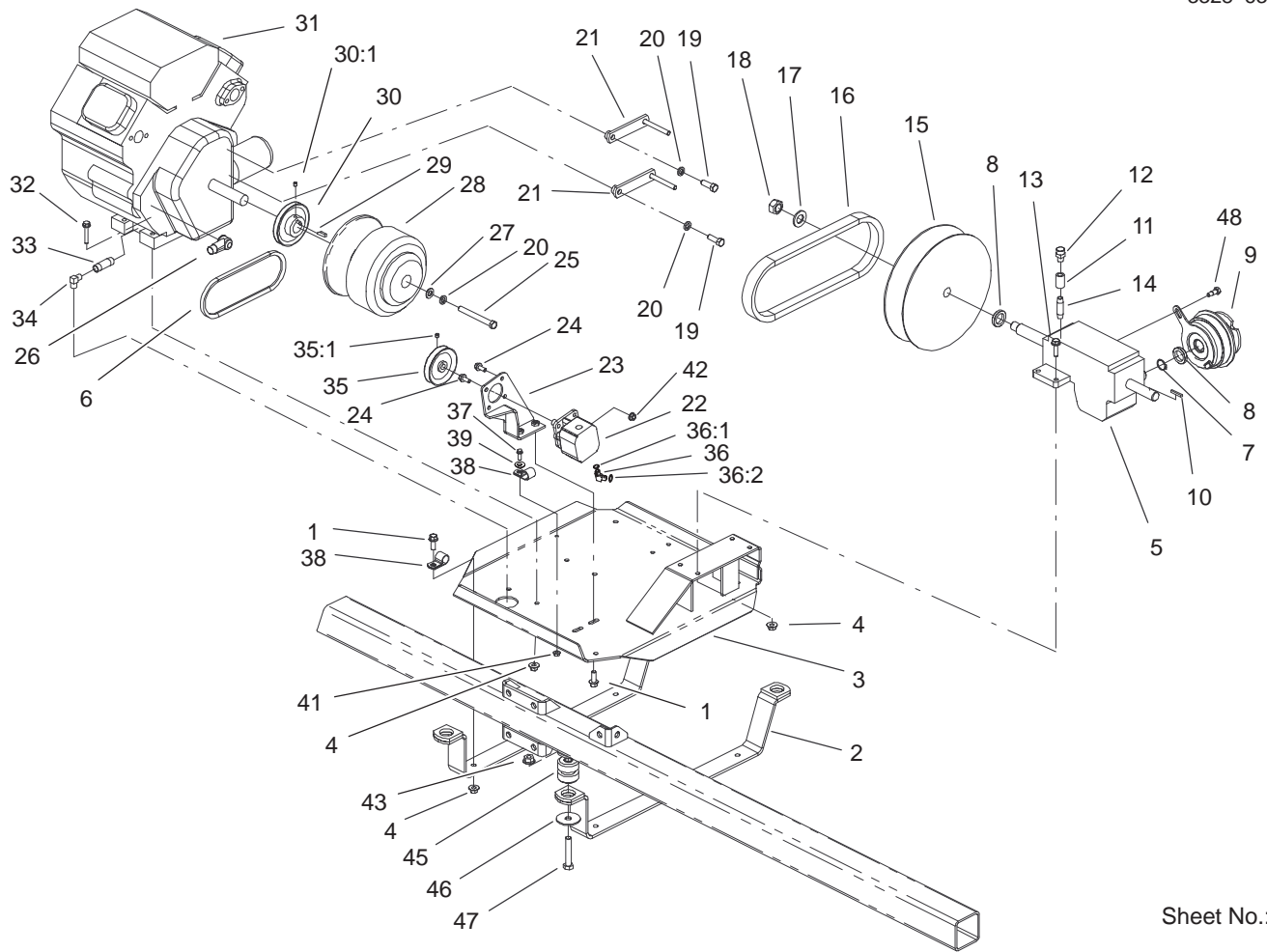


Sheet No.:15

Engine Installation Assembly

Ref. No.	Part No.	Qty.	Description
1	3234-11	6	Screw-HHF
2	100-8377-03	2	Strap-Support, Engine
3	100-8357-03	1	Plate-Mounting, Engine
4	32128-43	12	Nut-Flange
5	99-0663	1	Gearbox-Pump Drive
6	100-8372	1	Belt-Steering
7	32151-36	1	Ring-Retaining
8	100-8390	2	Spacer
9	100-8290	1	Clutch-Electric, Pump Drive
10	92-0049	1	Key-Square
11	106-4869	1	Pipe-Coupling
12	100-6931	1	Breather
13	3234-24	4	Screw-HHF
14	104-8766	1	Nipple
15	100-8289	1	Drive Pulley ASM
16	99-0735	1	Belt-Cvt
17	3256-28	1	Washer-Flat
18	100-8486	1	Nut-Locking, LH
19	324-5	2	Screw-HH
20	3253-6	3	Washer-Lock
21	100-8373	2	Belt Guide ASM
22	100-8302	1	Pump-Steering
23	100-8368-03	1	Bracket-Pump, Steering

Ref. No.	Part No.	Qty.	Description
24	322-4	4	Screw-HH
25	3212-16	1	Screw-HH
26	104-8798	1	Boot-Terminal
27	3256-25	1	Washer-Flat
28	100-8288	1	Clutch-Driver
29	100-8260	1	Key-Shaft
30	92-0488	1	Pulley-Pump, Power Steering
30:1	3246-2	1	Screw-Set, HSH
31	99-0819	1	Engine-Kohler, Ps-64647
32	3234-19	4	Screw-HHF
33	92-3647	1	Nipple
34	95023	1	Elbow-90°
35	100-8371	1	Pulley-Pump, Power Steering
35:1	3246-2	1	Screw-Set, HSH
36	100-8255	1	Fitting-90° Suction
36:1	237-177	1	O-Ring
36:2	237-80	1	O-Ring
37	3234-4	1	Screw-HHF
38	2412-81	3	Clamp
39	3256-22	1	Washer-Flat
41	32128-33	1	Nut-HF
42	32128-20	4	Nut-HF

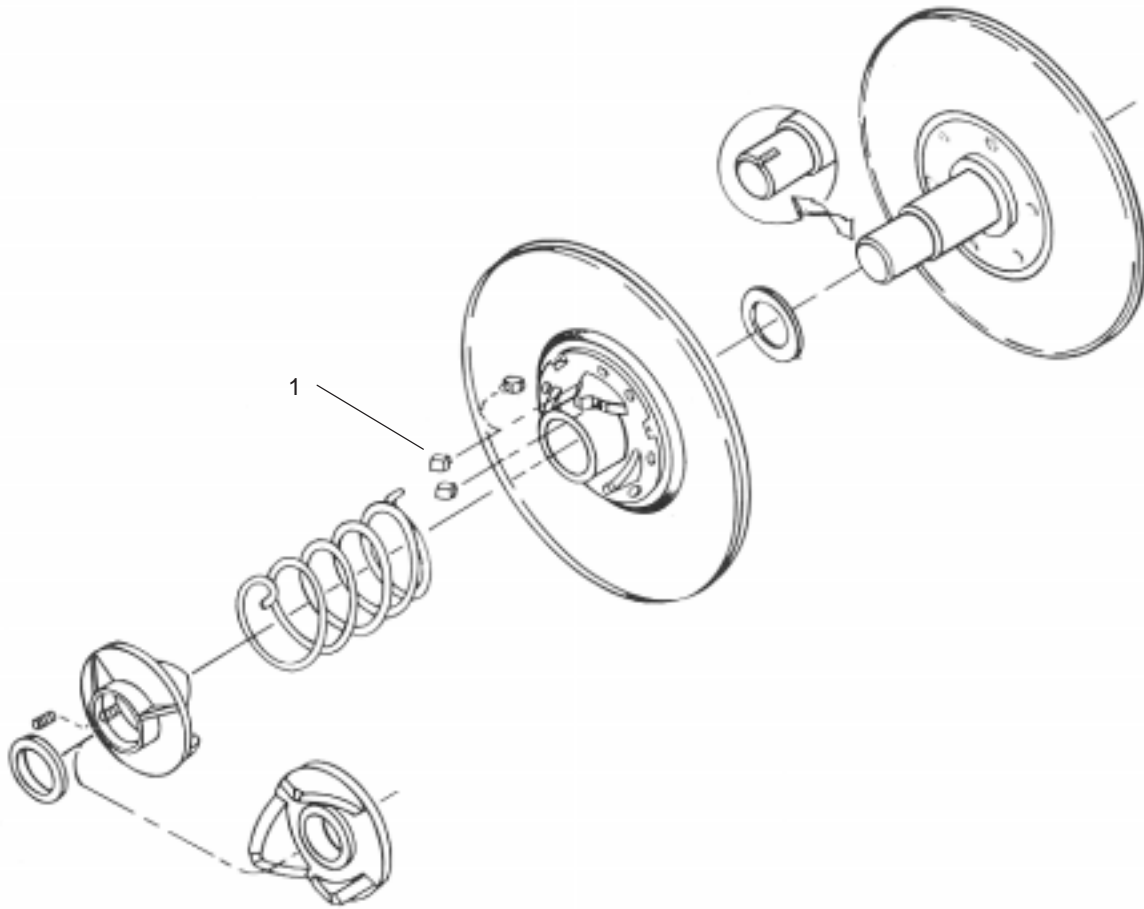


Sheet No.:15

Engine Installation Assembly (Continued)

Ref. No.	Part No.	Qty.	Description
43	32128-49	4	Nut-HHF
45	87-4970	4	Engine Mount ASM
46	41985	4	Special-Washer
47	325-11	4	Screw-HH
48	59-5400	1	Bolt-Shoulder

Ref. No.	Part No.	Qty.	Description

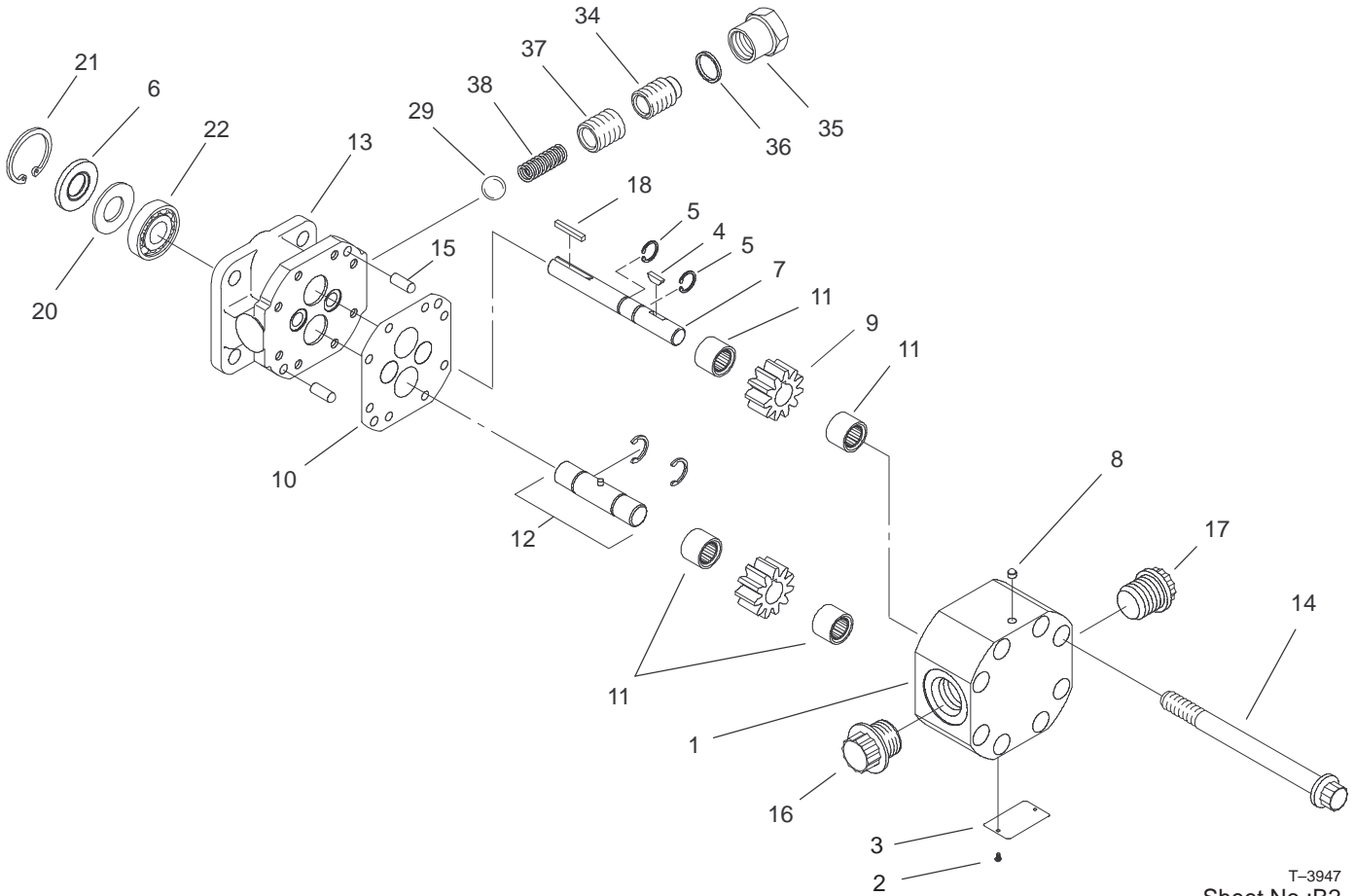


T-3950
Sheet No.:B1

Drive Pulley Assembly No. 100-8289

Ref. No.	Part No.	Qty.	Description
1	104-1683	6	Button

Ref. No.	Part No.	Qty.	Description



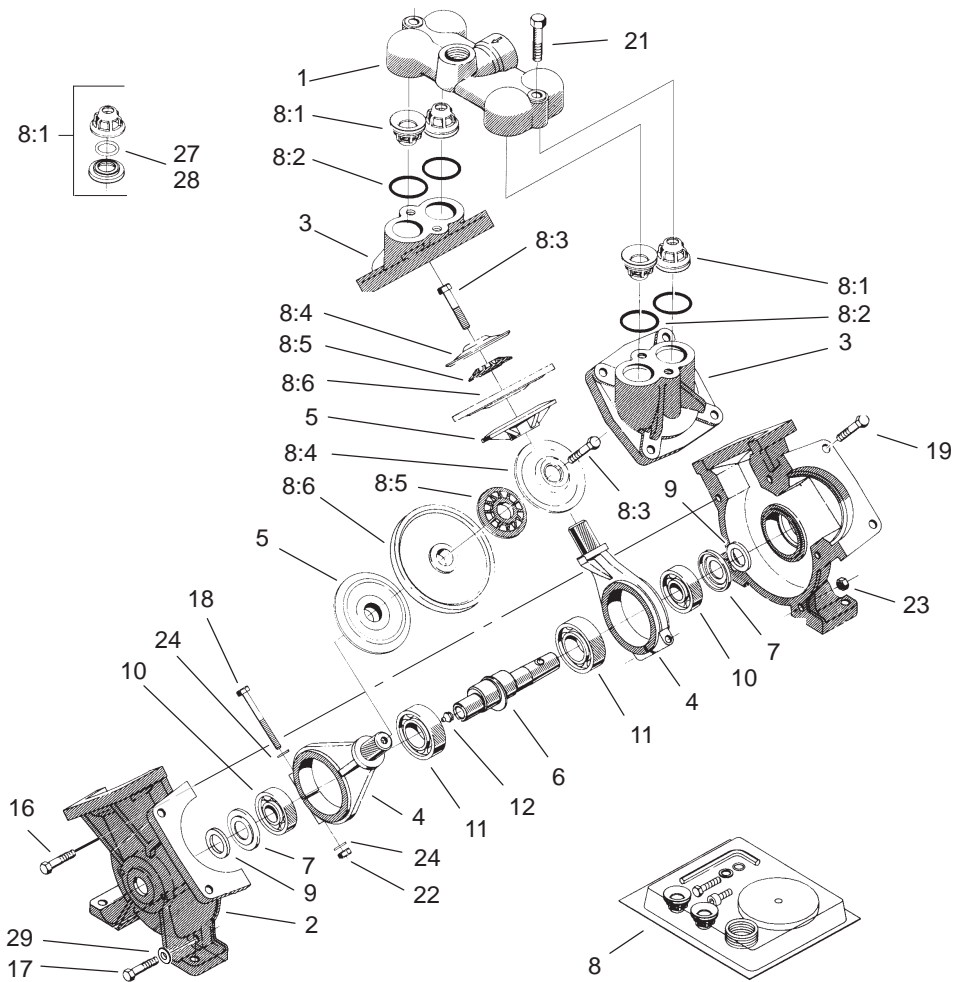
T-3947
Sheet No.:B2

Steering Pump Assembly No. 100-8302

Ref. No.	Part No.	Qty.	Description
☆1		1	Housing
☆2		2	Screw
☆3		1	Name Plate
4	100-8270	1	Key
5	106-6851	2	Ring-Retaining
6	100-8275	1	Seal
7	106-6852	1	Shaft-Drive
8	100-8269	1	Plug-Beta
9	106-6853	1	Gear
10	106-6854	1	Gasket Kit
11	106-6855	4	Bearing-Needle
12	106-6856	1	Shaft-Idler
☆13		1	Stator
14	100-8268	8	Screw
15	100-8265	2	Pin-Shear
☆16		1	Plug
☆17		1	Plug
18	92-3876	1	Key-Shaft
20	92-2186	1	Spacer
21	106-6857	1	Ring-Retaining
22	92-2191	1	Bearing-Ball
29	100-8273	1	Ball-Steel
34	100-8272	1	Screw
35	92-2184	1	Valve-Relief, Hex Cap
36	92-2180	1	Gasket-Copper

Ref. No.	Part No.	Qty.	Description
37	92-3870	1	Spring
38	92-3871	1	Spring

☆ Not serviced separately

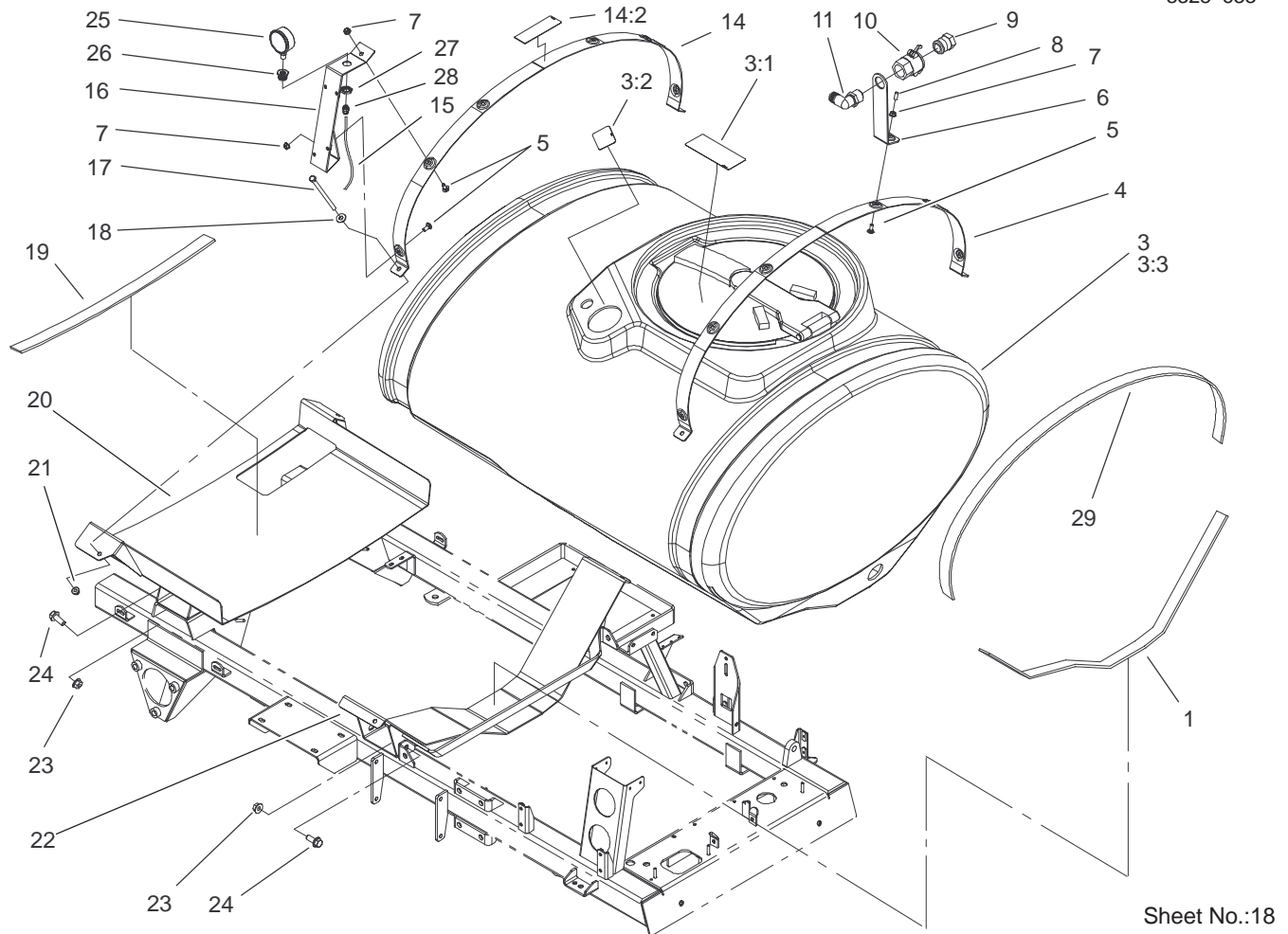


Sheet No.:B4

Pump Assembly No. 106-5121

Ref. No.	Part No.	Qty.	Description
1	106-5139	1	Cover-Valve
2	106-5140	2	Housing-Pump
3	106-5141	2	Cover-Diaphragm
4	106-5142	2	Rod-Connecting
5	100-8314	2	Disc-Back, Diaphragm
6	104-9052	1	Crankshaft-Keyed
7	100-8325	2	Plate-Dust
8	106-5150	1	Repair Kit
8:1	100-8307	4	Valve
8:2	100-6652	4	Gasket
8:3	106-5147	2	Bolt
8:4	100-8311	2	Washer
8:5	100-8312	2	Washer-Nylon
8:6	100-8313	2	Diaphragm
9	99-0868	2	Felt-Seal
10	100-8327	2	Bearing-Ball
11	100-8329	2	Bearing-Ball
12	99-0873	1	Fitting-Grease
16	106-5143	3	Bolt
17	106-5144	2	Bolt
18	106-5145	2	Bolt
19	106-5146	8	Bolt
21	106-5148	2	Bolt
22	100-8326	2	Nut-Hex
23	106-5149	5	Nut
24	100-8316	4	Washer-Lock

Ref. No.	Part No.	Qty.	Description
27	100-8336	4	O-Ring
28	106-5138	4	O-Ring
29	106-5137	2	Washer



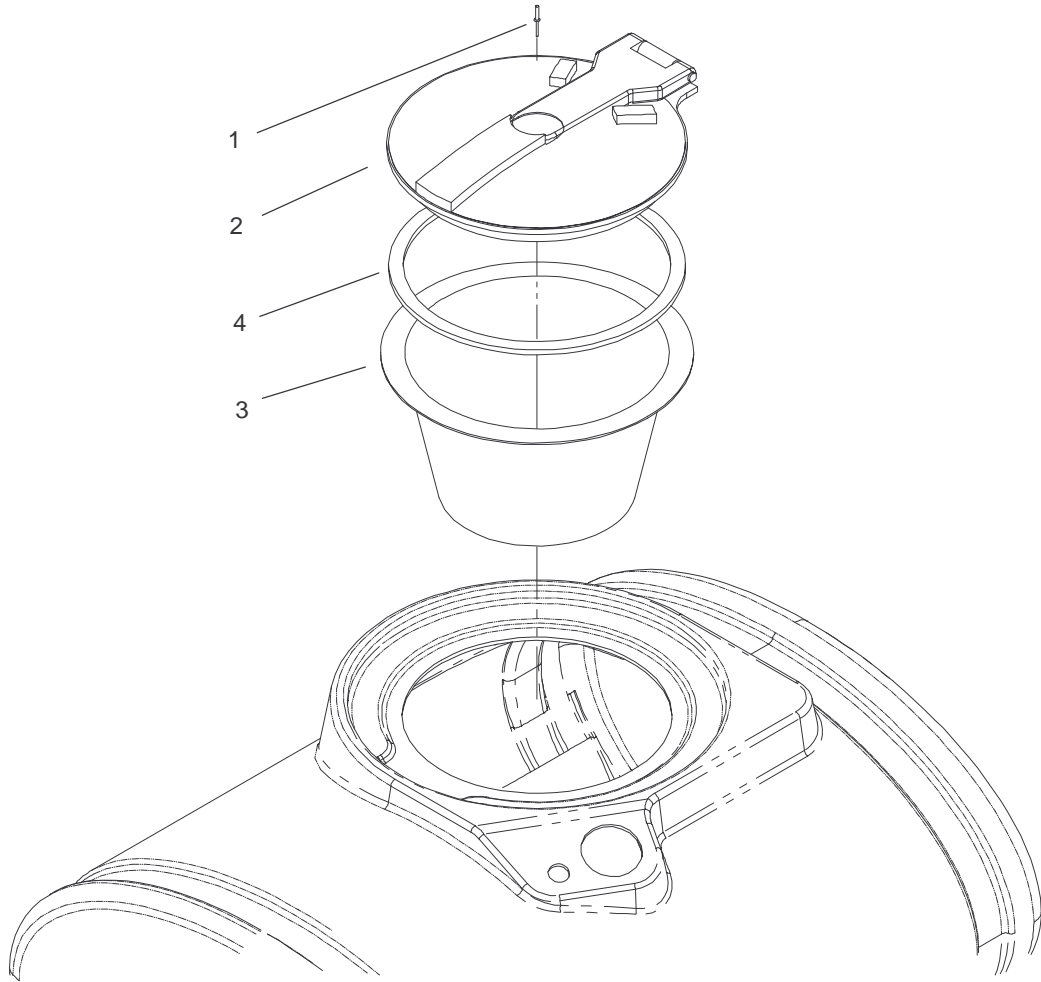
Sheet No.:18

Tank and Saddle Assembly

Ref. No.	Part No.	Qty.	Description	Ref. No.	Part No.	Qty.	Description
1	100-8573	2	Foam-Saddle, Front	23	32128-49	4	Nut-HHF
3	104-9053	1	160 Gallon Tank ASM	24	3234-32	4	Screw-HHF
3:1	100-6836	1	Decal-Tank Drain	25	100-8576	1	Gauge-Pressure
3:2	93-0688	1	Decal	26	100-8665	1	Reducer-Pressure Gauge
☆3:3		1	160 Gallon Spray Tank ASM	27	100-8666	1	Nut-Reducer
4	100-8575-03	1	Band-Tank	28	100-8667	1	Coupler-Reducer
5	3230-1	3	Bolt-CARR	29	104-8781	2	Insulator-Tank, Strap
6	100-6778-03	1	Bracket-Anti-Siphon				
7	32128-20	3	Nut-HF				
8	42452	1	Cap-Protective				
9	41316	1	Adapter-Quick				
10	100-6779	1	Coupling-Female				
11	41140	1	Elbow				
14	100-7006	1	Tank Band ASM				
14:2	87-0570	1	Decal-Electric Shock				
15	104-8782	1	Tube-Pressure Gauge				
16	100-8479-03	1	Tee Mounting Bracket ASM				
17	100-8528	4	Screw-HH				
18	3256-4	4	Washer-Flat				
19	100-8574	3	Foam-Saddle, Right Rear				
20	100-8569-03	1	Rear-Saddle				
21	104-8301	4	Nut-Flange, NI				
22	100-8565-03	1	Front-Saddle				

☆ Not serviced separately

* Not illustrated

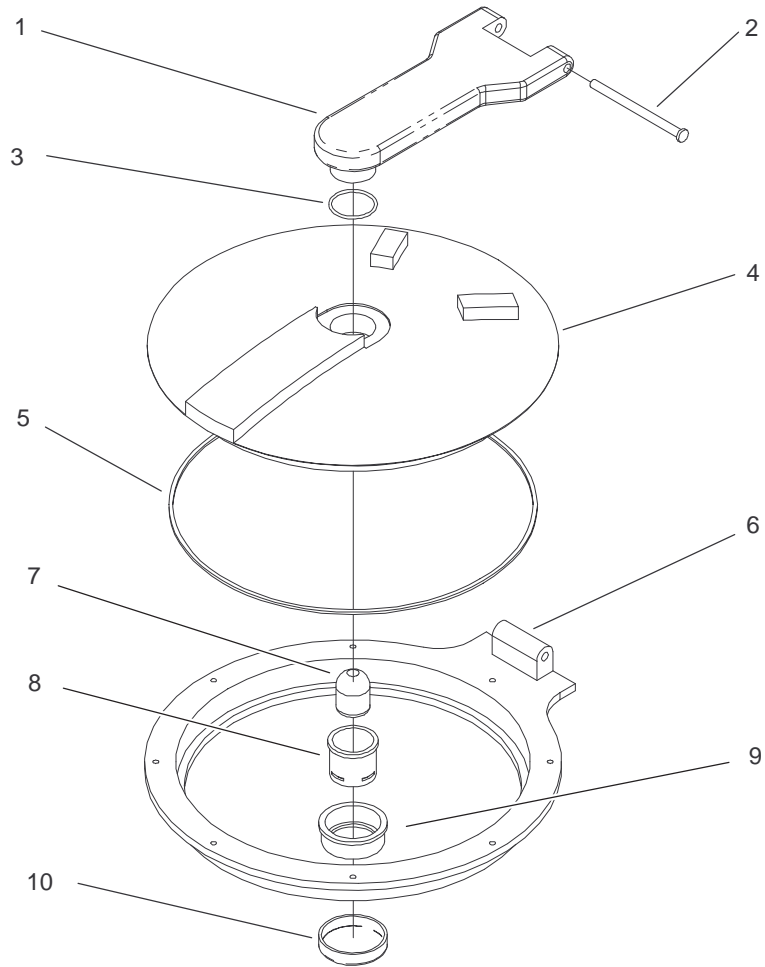


Sheet No.:B6

Spray Tank Assembly No. 104-9020

Ref. No.	Part No.	Qty.	Description
1	93-0833	8	Rivet
2	94-7088	1	Tank Lid ASM
3	104-9051	1	Basket-Strainer
4	106-4991	1	Seal-Lid

Ref. No.	Part No.	Qty.	Description

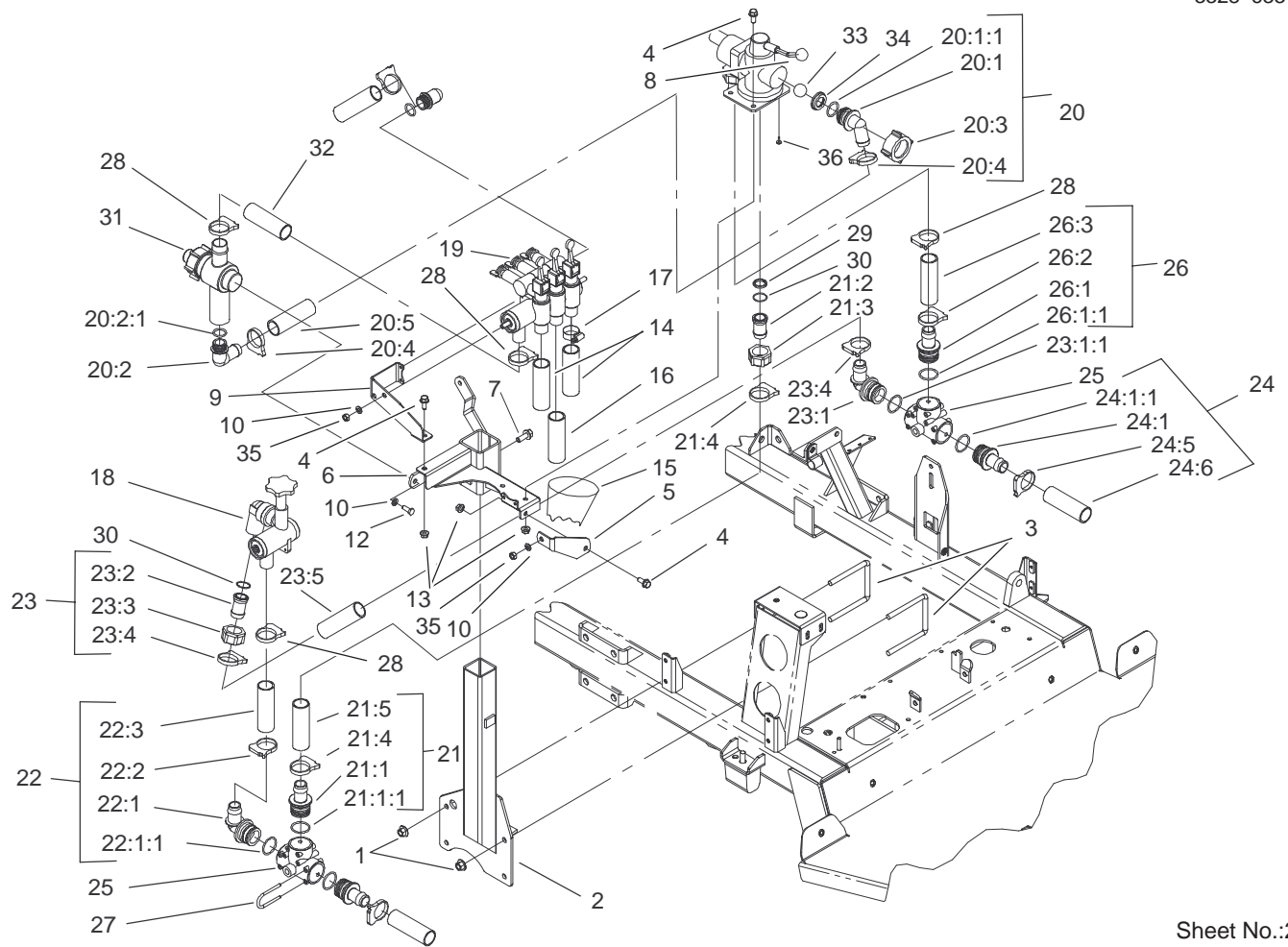


Sheet No.:ZZ

Spray Tank Lid Assembly No. 94-7088

Ref. No.	Part No.	Qty.	Description
1	94-7205	1	Arm-Swivel
2	94-7213	1	Pin-Pivot
3	94-7206	1	O-Ring
4	94-7207	1	Lid
5	94-7208	1	Gasket
6	94-7211	1	Ring
7	94-7209	1	Plunger
8	94-7210	1	Body
9	94-7212	1	Nut
10	94-7214	1	Cap

Ref. No.	Part No.	Qty.	Description



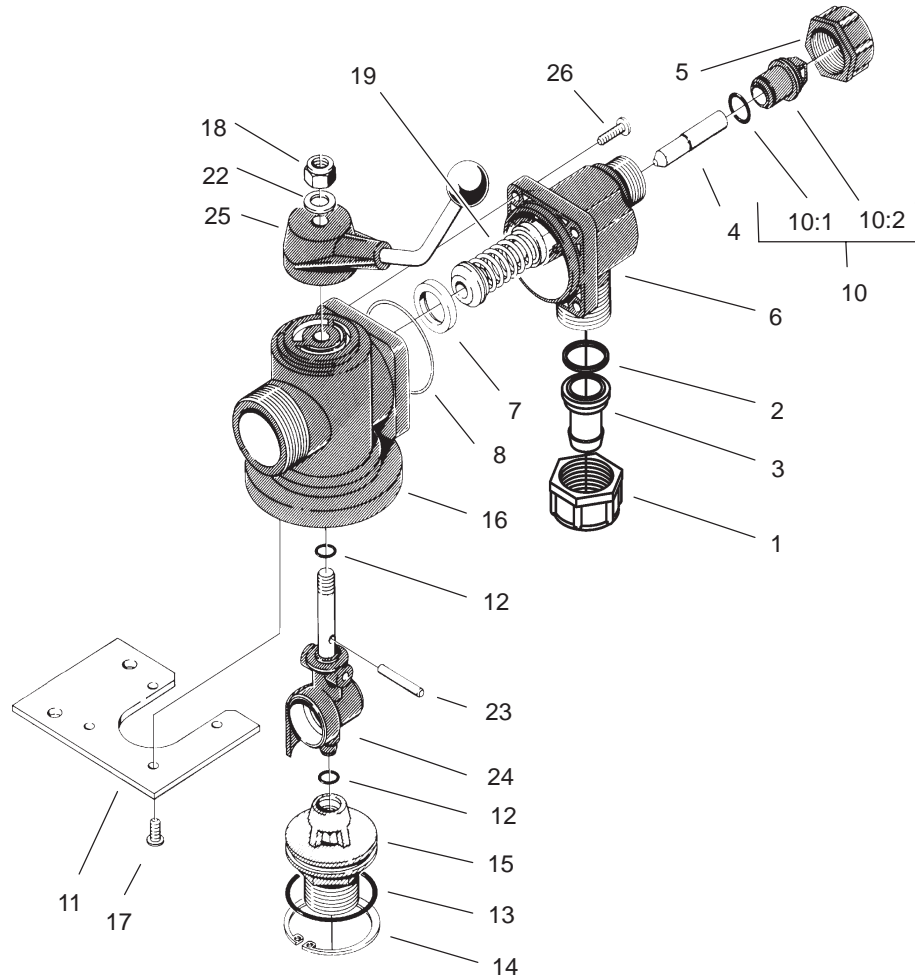
Sheet No.:22

Manual Control Assembly

Ref. No.	Part No.	Qty.	Description
1	32128-43	4	Nut-Flange
2	104-8828-03	1	Valve-Post
3	100-7067	2	U-Bolt
4	3234-5	4	Screw
5	104-8838-03	1	Bracket-Valve, Rate
6	104-8833-03	1	Mount-Valve
7	3234-11	1	Screw-HHF
8	106-4881	1	Main On/Off Valve ASM
9	104-8839-03	1	Bracket-Valve, Section
10	3253-4	4	Washer-Lock
12	33114-020	1	Screw-HH
13	32128-20	4	Nut-HF
14	104-8853	2	Hose-Boom Extension
15	104-8899	2	Cover-Hose
16	31188	1	Hose-Boom Center
17	2412-129	3	Clamp-Hose
18	106-4883	1	Pressure Control Valve ASM
19	106-4882	1	Boom Valve ASM
☆20		1	Flowmeter Hose ASM
20:1	106-4949	1	Hosebarb-110°
20:2	106-4948	1	Hose Barb ASM
20:2:1	100-6882	1	O-Ring

Ref. No.	Part No.	Qty.	Description
20:3	100-8678	1	Nut
20:4	99-0782	2	Clamp-Hose
20:5	104-8906	1	Hose-Pressure
☆21		1	Main Supply Hose ASM
21:1	106-4935	1	Hosebarb ASM
21:1:1	100-6712	1	O-Ring
21:2	99-0781	1	Hosebarb
21:3	99-0769	1	Nut
21:4	99-0782	2	Clamp-Hose
21:5	104-8909	1	Hose-Bypass
☆22		1	Control Supply Hose ASM
22:1	106-4945	1	Elbow
22:1:1	100-6712	1	O-Ring
22:2	99-0782	2	Clamp-Hose
22:3	104-8908	1	Hose-Bypass
☆23		1	Pressure Control Hose ASM
23:1	106-4945	1	Elbow
23:1:1	100-6712	1	O-Ring
23:2	99-0781	1	Hosebarb
23:3	99-0769	1	Nut
23:4	99-0782	2	Clamp-Hose
23:5	104-8909	1	Hose-Bypass

☆ Not serviced separately

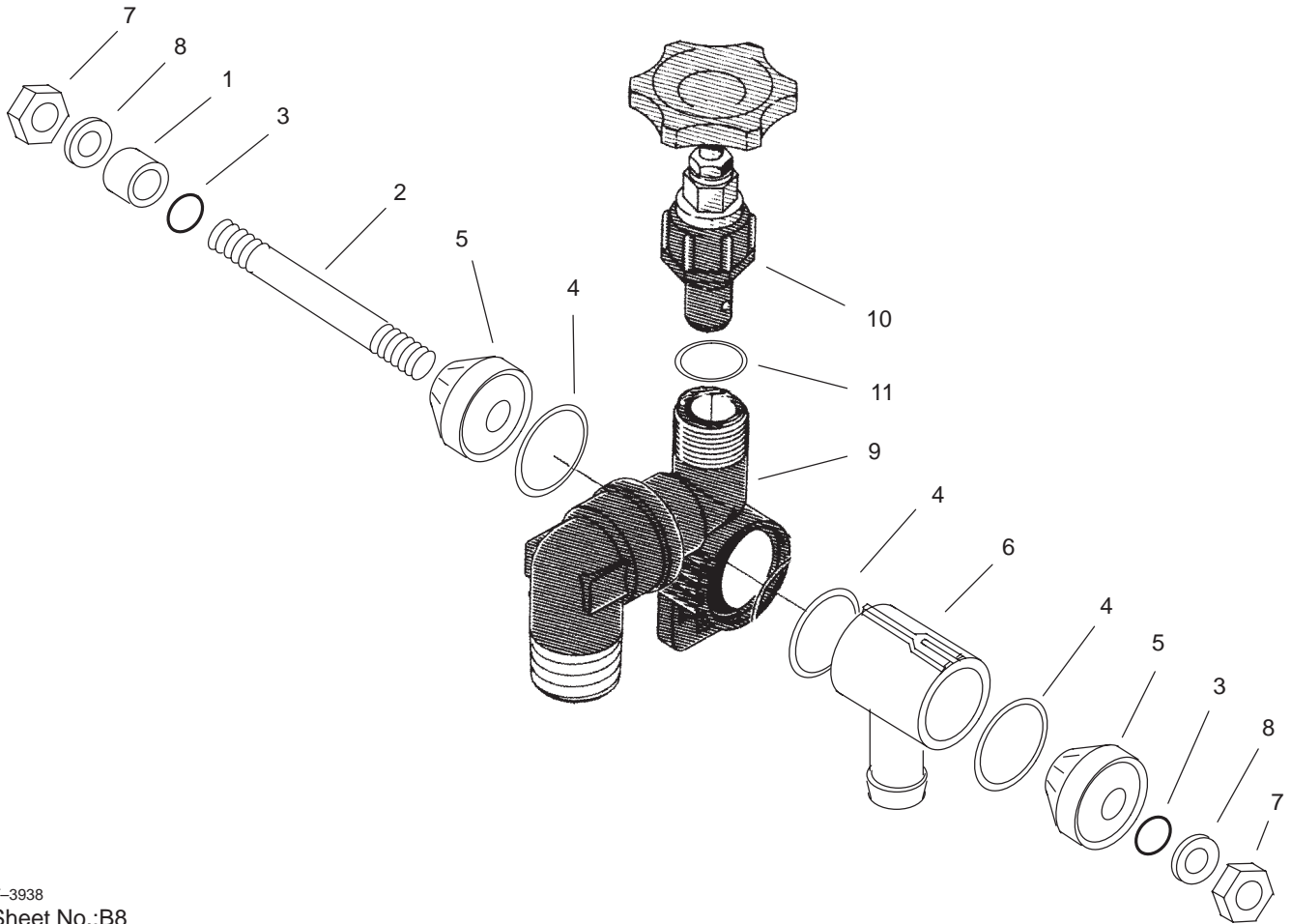


T-3941
Sheet No.:B7

Main On/Off Valve Assembly No. 106-4881

Ref. No.	Part No.	Qty.	Description
1	99-0769	1	Nut
2	100-6655	1	Gasket
3	99-0781	1	Hosebarb
4	100-6942	1	Pin
5	99-0850	1	Nut
6	100-6943	1	Housing-Valve, Pressure
7	100-6945	1	Seat
8	100-6947	1	O-Ring
10	99-0844	1	Plug-Tube, Nozzle
10:1	100-6645	1	O-Ring
10:2	100-6941	1	Fitting
11	100-6997	1	Fitting
12	100-6641	1	O-Ring
13	100-6993	1	O-Ring
14	100-6994	1	Ring-Snap, Inner
15	100-6951	1	Adapter-Valve, On/Off
16	100-6949	1	Housing-Valve, On/Off (Manual)
17	100-6916	4	Screw-Plastic
18	48-9520	1	Nut
19	100-7003	1	Relief Valve ASM
22	99-0863	1	Washer
23	100-8656	1	Pin-Expansion

Ref. No.	Part No.	Qty.	Description
24	100-6950	1	Stem-Valve, On/Off (Manual)
25	100-7001	1	Handle

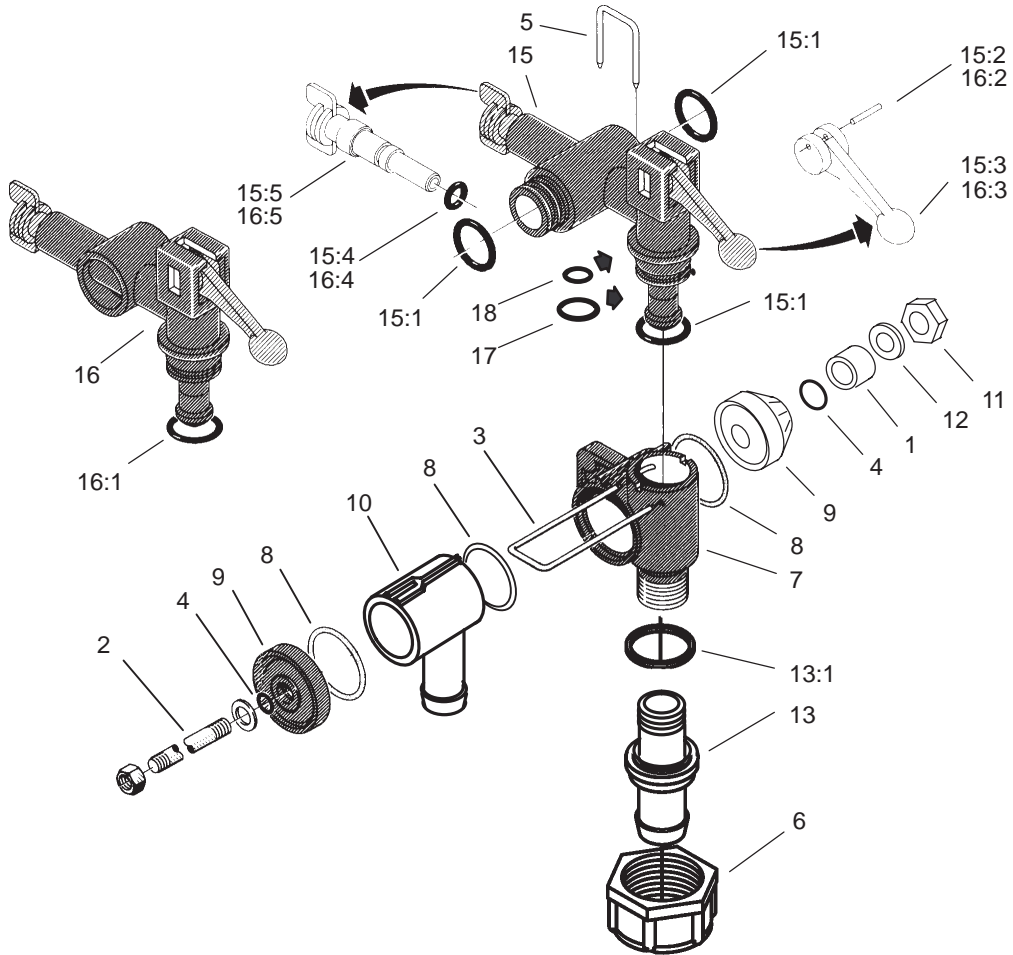


T-3938
Sheet No.:B8

Pressure Control Valve Assembly No. 106-4883

Ref. No.	Part No.	Qty.	Description
1	100-6897	1	Bushing
2	104-8917	1	Rod-Valve, Pressure Control
3	100-6887	2	O-Ring
4	100-6892	3	O-Ring
5	100-6913	2	Cover
6	100-6908	1	T-Piece
7	100-6894	2	Nut
8	100-6634	2	Washer
9	104-8919	1	Housing-Pressure Control
10	100-6762	1	Regulator-Pressure, Manual
11	100-6644	1	O-Ring

Ref. No.	Part No.	Qty.	Description

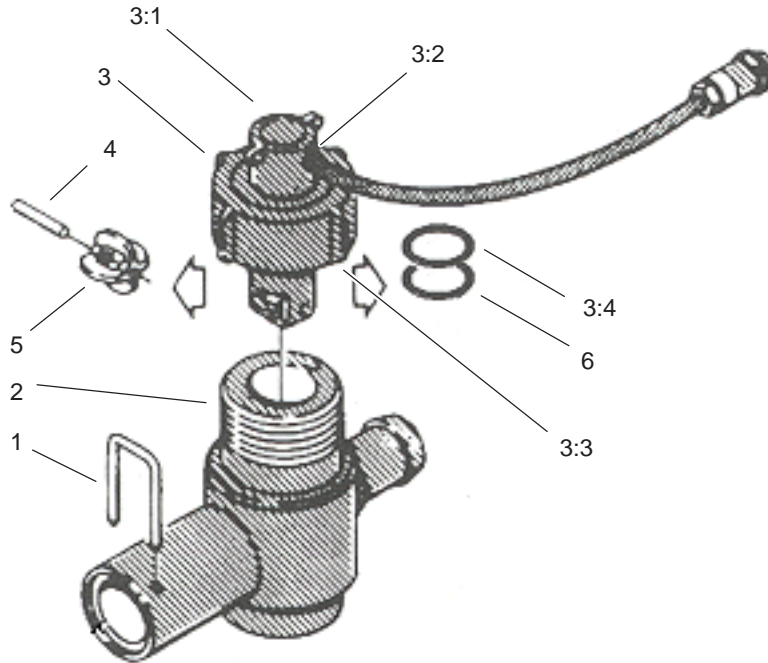


T-3939
Sheet No.:B9

Boom Valve Assembly No. 106-4882

Ref. No.	Part No.	Qty.	Description
1	100-6897	1	Bushing
2	104-8916	1	Rod-Valve, Individual Boom
3	100-6758	1	Fork
4	100-6887	2	O-Ring
5	100-6885	3	Fork-Valve, Boom
6	99-0850	3	Nut
7	100-6759	3	Housing-Section Valve
8	100-6892	5	O-Ring
9	100-6913	2	Cover
10	100-6908	1	T-Piece
11	100-6894	2	Nut
12	100-6634	2	Washer
13	106-5112	3	Hosebarb ASM
13:1	100-6645	1	O-Ring
15	100-6767	2	Valve-Boom Section, Manual
15:1	100-6882	1	O-Ring
15:2	100-6766	1	Pin
15:3	100-6835	1	Handle
15:4	100-6641	1	O-Ring
15:5	100-6769	1	Screw-Adjust
16	100-6765	1	Valve-Boom Section, Manual
16:1	100-6882	1	O-Ring

Ref. No.	Part No.	Qty.	Description
16:2	100-6766	1	Pin
16:3	100-6835	1	Handle
16:4	100-6641	1	O-Ring
16:5	100-6769	1	Screw-Adjust
17	100-6770	2	O-Ring
18	100-6878	3	O-Ring

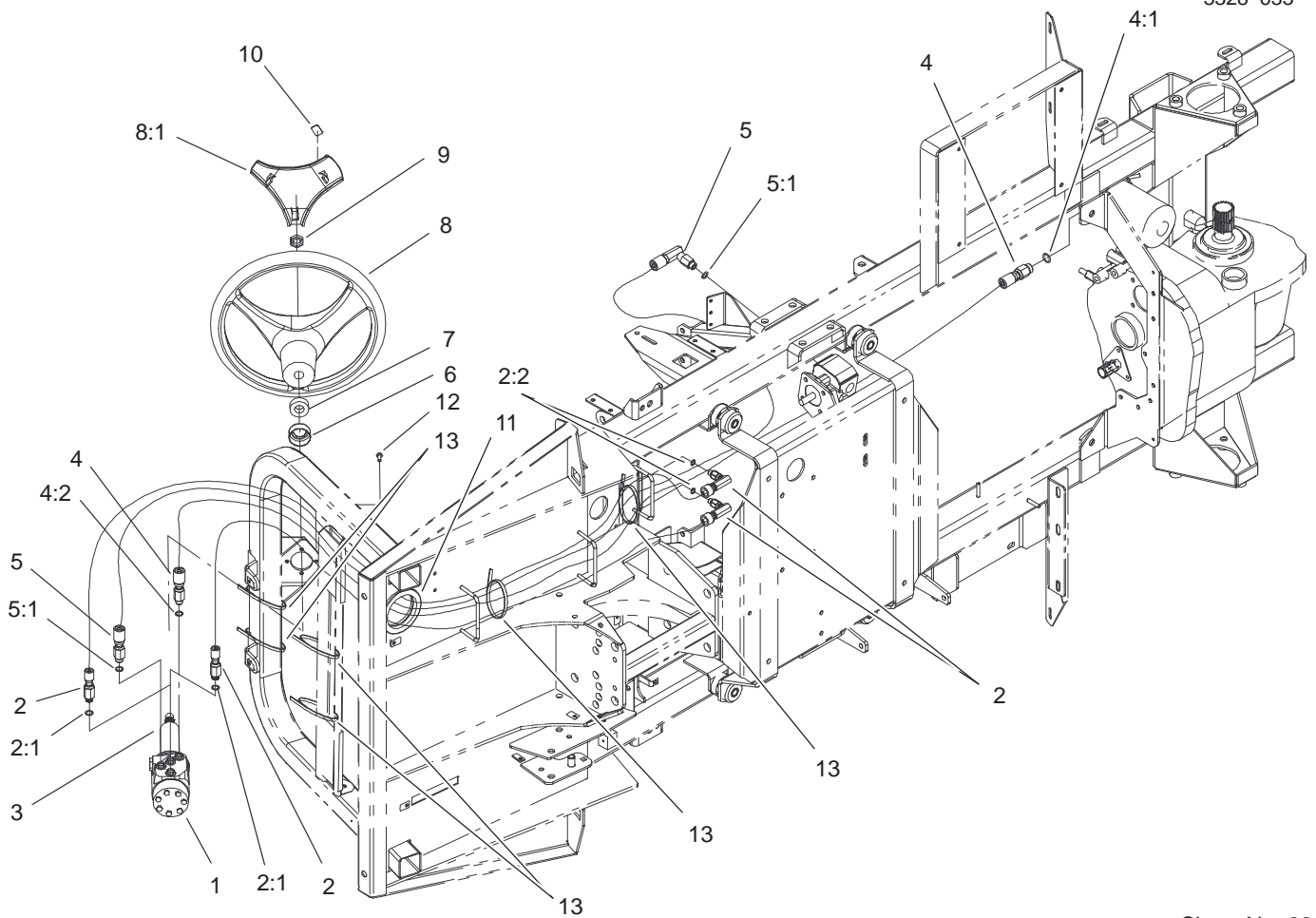


T-3937
Sheet No.:C1

Flow Meter Assembly No. 106-4884

Ref. No.	Part No.	Qty.	Description
1	100-6885	1	Fork-Valve, Boom
2	104-8901	1	Housing-Flow Meter
3	100-6900	1	Flow Sensor ASM
3:1	100-6906	1	Shaft-Rotor
3:2	100-6919	1	Meter-Flow, Rotor
3:3	100-8678	1	Nut
3:4	100-8653	1	O-Ring
4	100-6906	1	Shaft-Rotor
5	100-6919	1	Meter-Flow, Rotor
6	100-8653	2	O-Ring

Ref. No.	Part No.	Qty.	Description

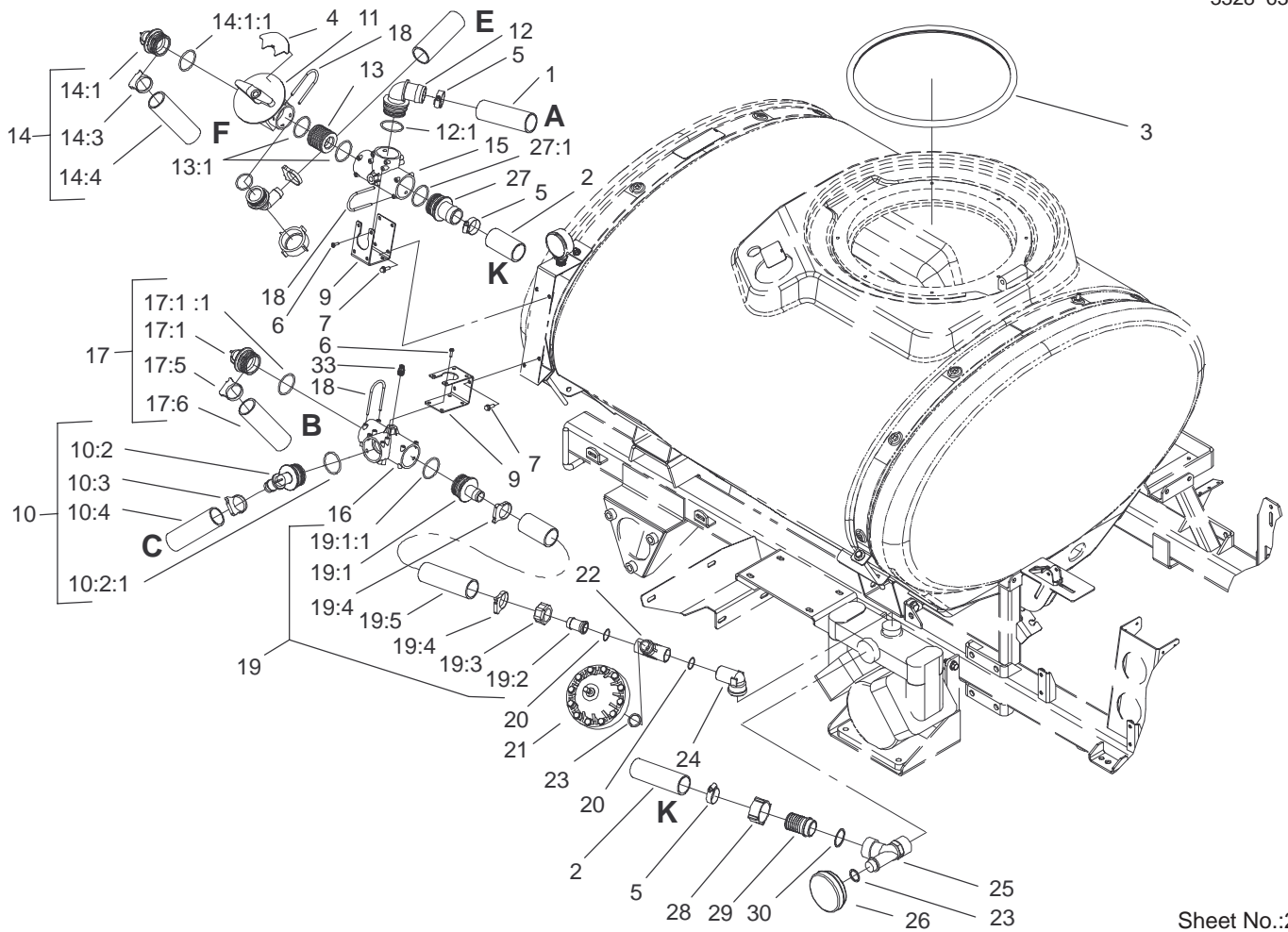


Sheet No.:23

Hydraulic Hose Routing Assembly

Ref. No.	Part No.	Qty.	Description
1	92-3502	1	Steering Control ASM
2	100-8252	2	Hose ASM
2:1	237-78	1	O-Ring
2:2	237-42	1	O-Ring
3	94-8792	1	Column-Steering
4	100-8253	1	Hose ASM
4:1	237-42	1	O-Ring
4:2	237-79	1	O-Ring
5	100-8251	1	Hose ASM
5:1	237-42	2	O-Ring
6	93-5439	1	Seal-Steering
7	21-9260	1	Cover-Dust
8	98-1471	1	Wheel-Steering
8:1	98-1468	1	Cover-Wheel, Steering
9	92-3513	1	Nut
10	98-1459	1	Decal
11	237-102	1	Grommet
12	48-7620	4	Screw-HH
13	3290-379	6	Tie-Cable

Ref. No.	Part No.	Qty.	Description



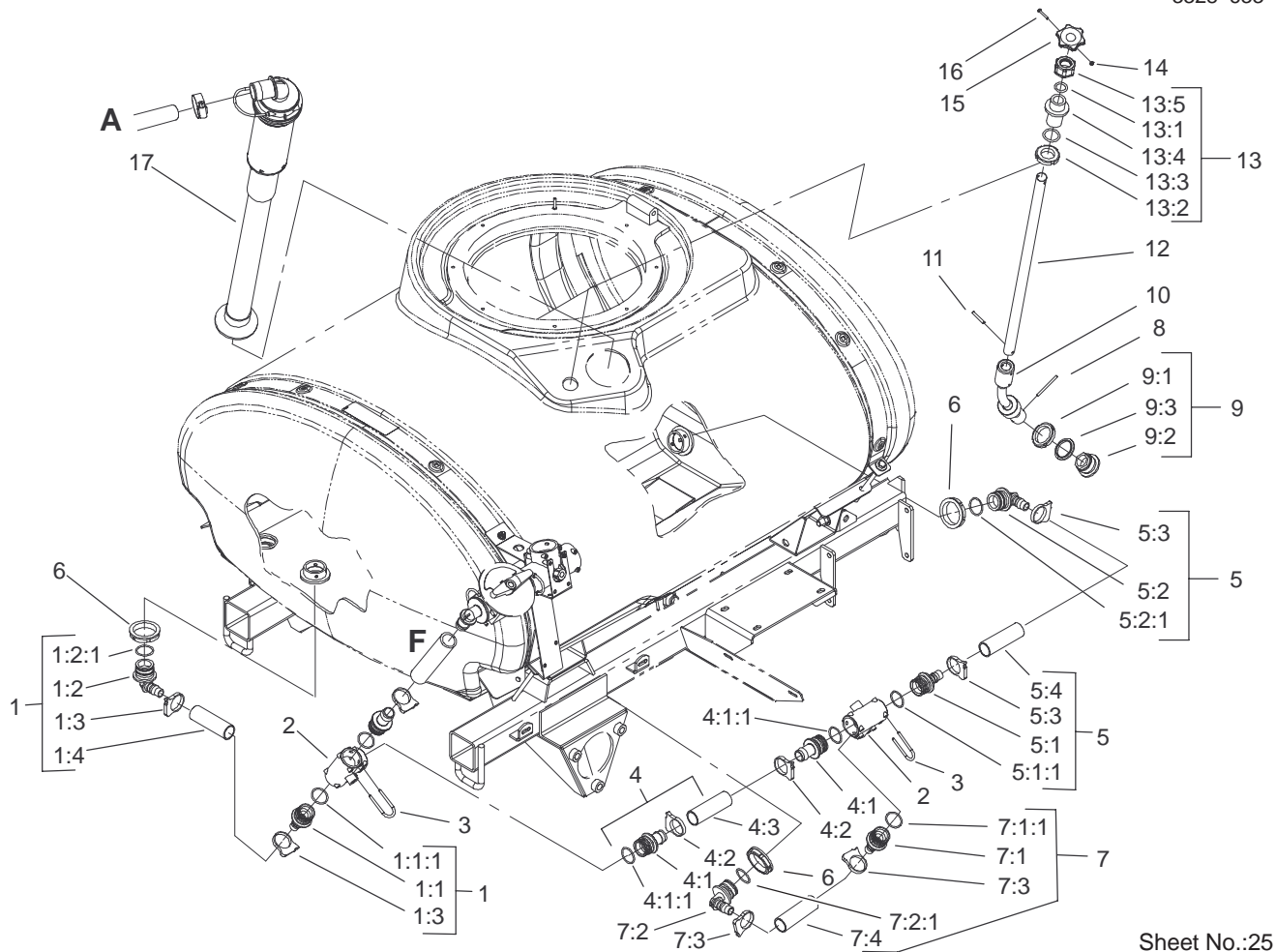
Sheet No.:24

Tank Hose Assembly

Ref. No.	Part No.	Qty.	Description
1	100-8483	1	Hose-Suction
2	100-8484	1	Hose-Suction
3	104-9004	1	Seal-Strainer Basket
4	100-8577	1	Decal-Agitate Valve
5	41327	4	Clamp-Hose
6	32144-32	8	Screw
7	3234-4	4	Screw-HHF
9	100-8478	2	Bracket-Tee
★10		1	Pressure Manifold Hose ASM
10:1	106-4935	1	Hosebarb ASM
10:1:1	100-6712	1	O-Ring
10:2	106-4933	1	Hosebarb ASM
10:2:1	100-8637	1	O-Ring
10:3	99-0782	2	Clamp-Hose
10:4	104-8915	1	Hose-Pressure
11	100-8673	1	Agitation Valve ASM
12	106-4946	1	Hosebarb-90°
12:1	100-8637	1	O-Ring
13	106-4947	1	Connector
13:1	100-8637	1	O-Ring
★14		1	Agitation Valve Hose ASM
14:1	106-4933	1	Hosebarb ASM
14:1:1	100-8637	1	O-Ring
14:2	106-4935	1	Hosebarb ASM

Ref. No.	Part No.	Qty.	Description
14:2:1	100-6712	1	O-Ring
14:3	99-0782	2	Clamp-Hose
14:4	104-8908	1	Hose-Bypass
15	100-6704	1	Tee
16	100-8675	1	Tee-Pressure
★17		1	Relief Valve Hose ASM
17:1	106-4933	1	Hosebarb ASM
17:1:1	100-8637	1	O-Ring
17:2	106-4949	1	Hosebarb-110°
17:2:1	100-6646	1	O-Ring
17:3	100-8678	1	Nut
17:5	99-0782	2	Clamp-Hose
17:6	104-8710	1	Hose
18	100-8635	8	Fork
★19		1	Manifold Tee Hose ASM
19:1	106-4932	1	Hosebarb-Straight
19:1:1	100-8637	1	O-Ring
19:2	99-0781	1	Hosebarb
19:3	99-0769	1	Nut
19:4	99-0782	2	Clamp-Hose
19:5	104-8712	1	Hose
20	100-6655	2	Gasket
21	100-6662	1	Damper-Pressure
22	100-8699	1	Tee

★ Not serviced separately



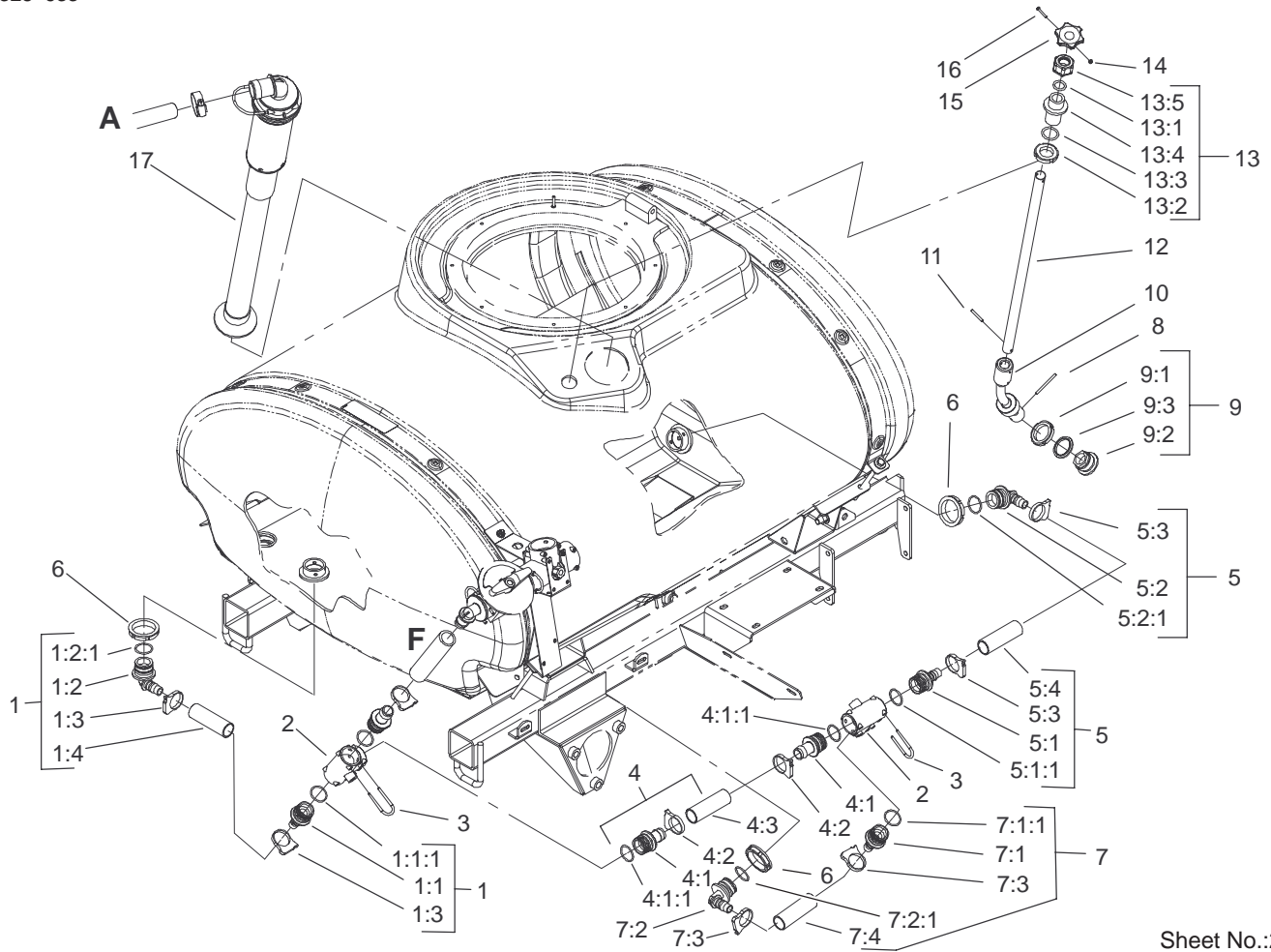
Sheet No.:25

Sprayer Component Assembly

Ref. No.	Part No.	Qty.	Description
☆1		1	Rear Agitation Hose ASM
1:1	106-4939	1	Hosebarb-Straight
1:1:1	100-6712	1	O-Ring
1:2	106-4940	1	Hosebarb-90°
1:2:1	100-6712	1	O-Ring
1:3	99-0755	2	Clamp-Hose
1:4	104-9043	1	Hose-Rear Agitation
2	104-9041	2	Tee
3	100-6708	6	Fork
☆4		1	Agitation Tee Hose ASM
4:1	106-4935	2	Hosebarb ASM
4:1:1	100-6712	1	O-Ring
4:2	99-0782	2	Clamp-Hose
4:3	104-9039	1	Hose-Agitation Tee
☆5		1	Front Agitation Hose ASM
5:1	106-4939	1	Hosebarb-Straight
5:1:1	100-6712	1	O-Ring
5:2	106-4940	1	Hosebarb-90°
5:2:1	100-6712	1	O-Ring
5:3	99-0755	2	Clamp-Hose
5:4	104-8706	1	Hose
6	100-6713	3	Nut-Bulkhead

Ref. No.	Part No.	Qty.	Description
☆7		1	Middle Agitation Hose ASM
7:1	106-4939	1	Hosebarb-Straight
7:1:1	100-6712	1	O-Ring
7:2	106-4940	1	Hosebarb-90°
7:2:1	100-6712	1	O-Ring
7:3	99-0755	2	Clamp-Hose
7:4	104-8704	1	Hose
8	100-8663	1	Pin
9		1	Lower Bulkhead Fitting ASM
9:1	99-0761	1	Ringnut
9:2	100-8664	1	Fitting-Bulkhead
9:3	100-8659	1	Gasket
10		1	Drain Screw ASM
11	100-8661	1	Pin-Expansion
12	106-4899	1	Tube-Control, Drain
☆13		1	Upper Bulkhead Fitting ASM
13:1	100-6643	1	O-Ring
13:2	99-0758	1	Nut
13:3	100-6658	1	Gasket
13:4	106-1240	1	Bulkhead
13:5	106-1241	1	Nut-Special
14	104-9047	1	Nut
15	106-4880	1	Handle-Drain

☆ Not serviced separately



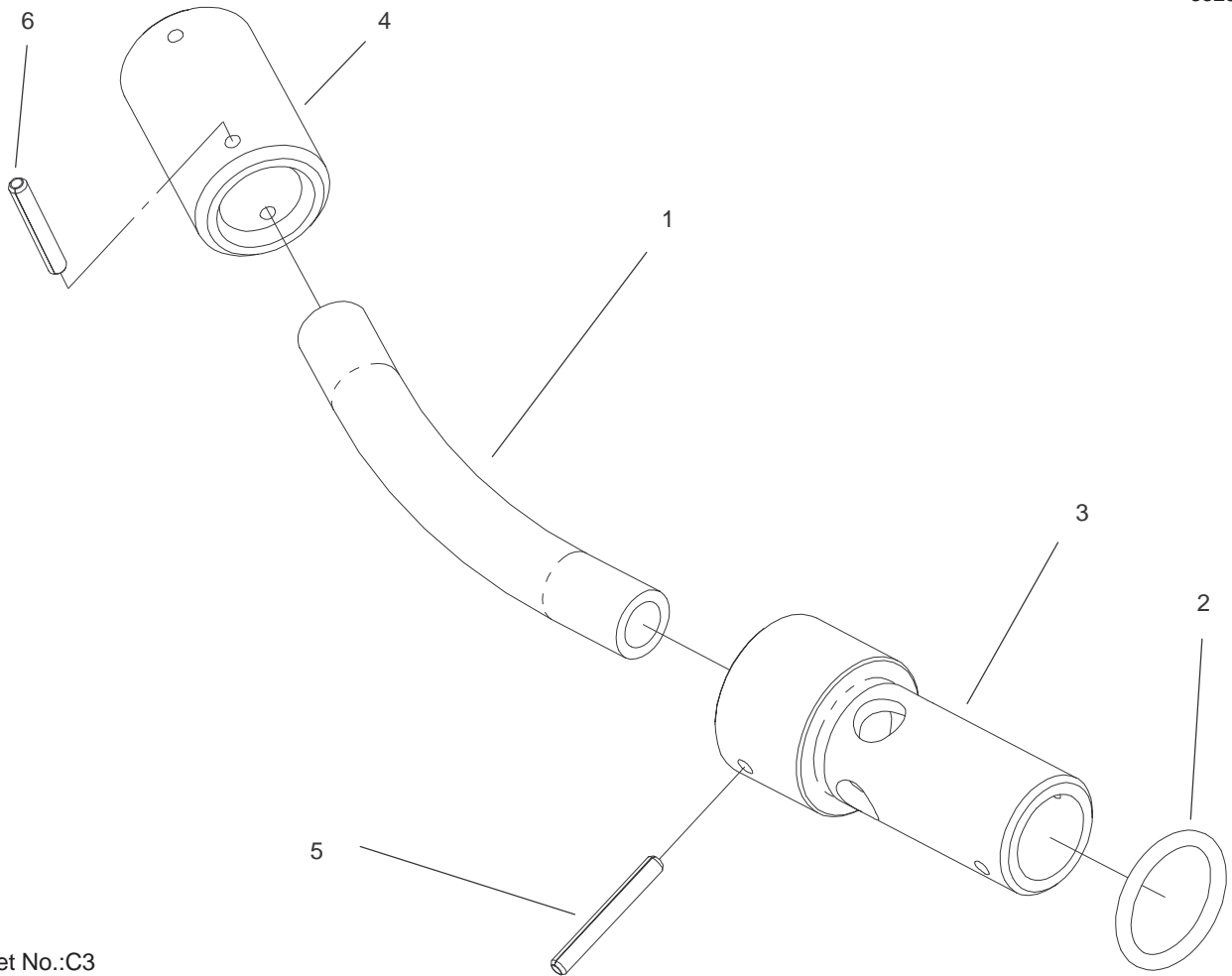
Sheet No.:25

Sprayer Component Assembly (Continued)

Ref. No.	Part No.	Qty.	Description
16	104-9046	1	Bolt
☆17		1	Top Mounted Suction ASM

Ref. No.	Part No.	Qty.	Description

☆ Not serviced separately

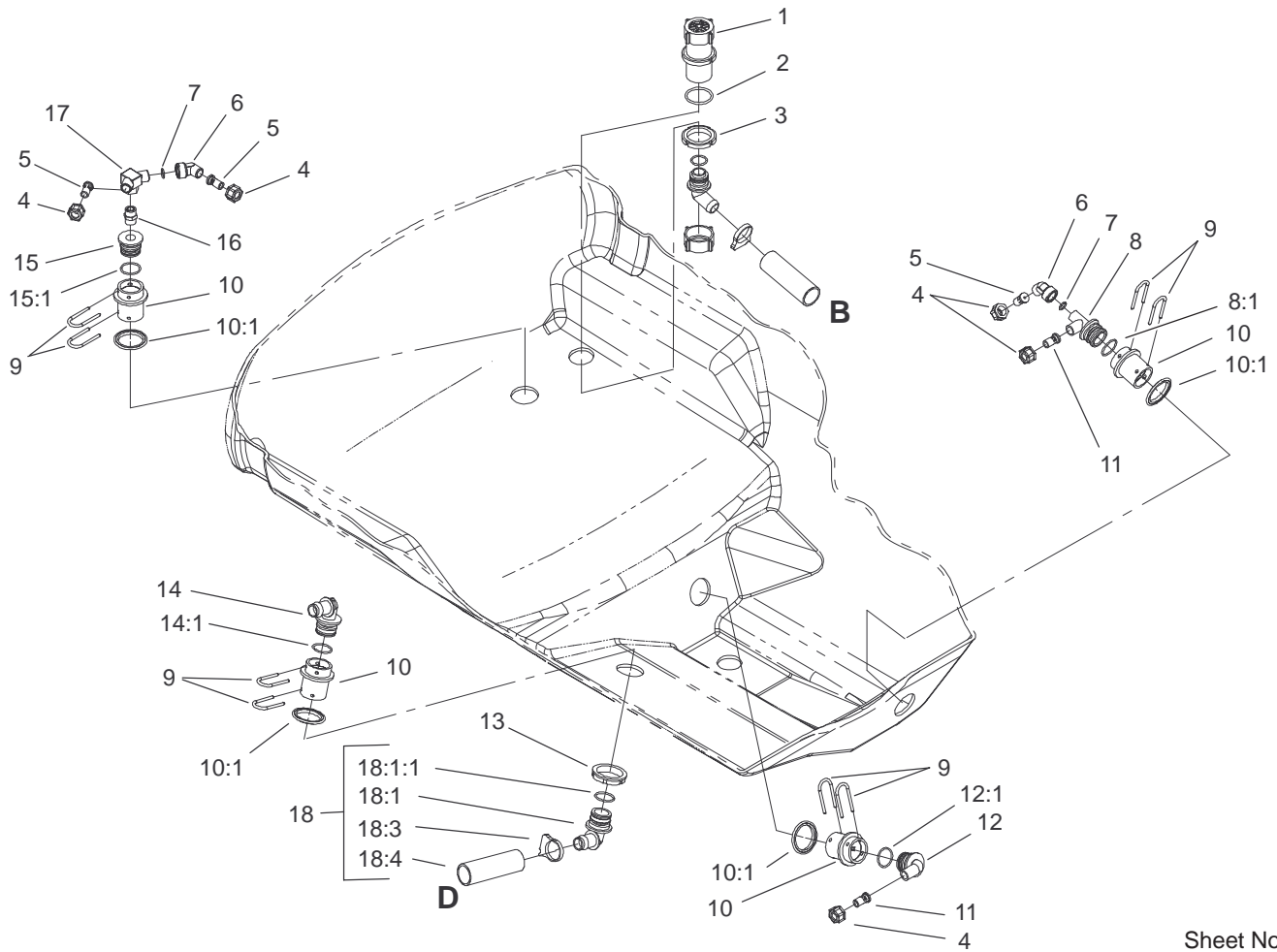


Sheet No.:C3

Drain Screw Assembly

Ref. No.	Part No.	Qty.	Description
1	100-8658	1	Tube-Hi Flex
2	100-6658	1	Gasket
3	100-8662	1	Screw-Drain
4	100-8657	1	Connector-Tube, Hose
5	100-8660	1	Pin-Expansion
6	100-8661	1	Pin-Expansion

Ref. No.	Part No.	Qty.	Description

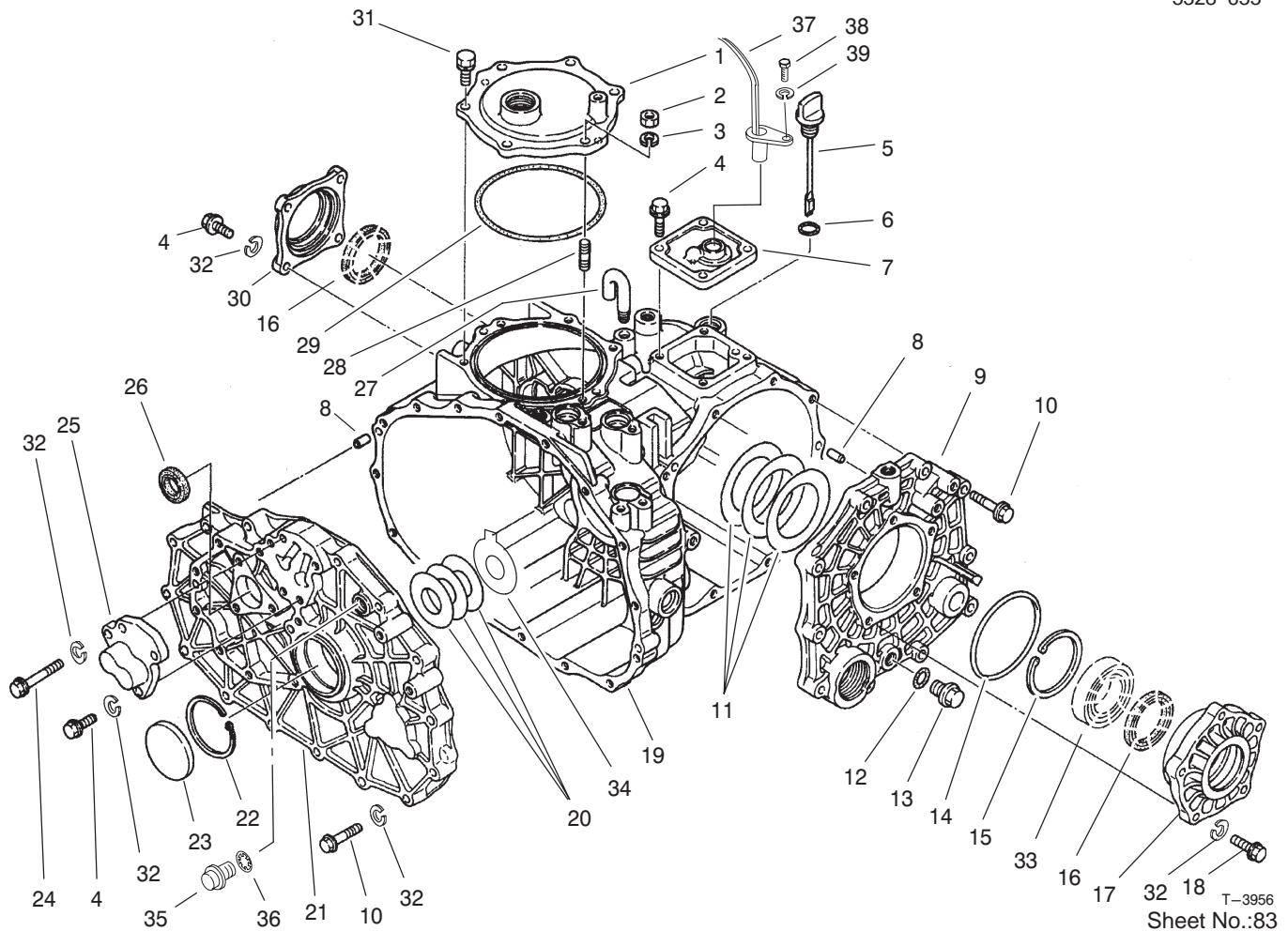


Sheet No.:26

Lower Sprayer Component Assembly

Ref. No.	Part No.	Qty.	Description
1	100-6820	1	Valve-Safety, 225 Psi
2	100-6652	1	Gasket
3	99-0761	1	Ringnut
4	99-0766	5	Nut
5	100-6705	3	Nozzle-Agitation
6	99-0768	2	Elbow-60°
7	100-6653	2	O-Ring
8	100-6707	1	Tee
8:1	100-6712	1	O-Ring
9	100-6708	8	Fork
10	106-4896	4	Fitting-Bulkhead
10:1	100-6710	1	Gasket-Bulkhead
11	100-6706	2	Nozzle-Agitation
12	106-4944	1	Fitting-90°
12:1	100-6712	1	O-Ring
13	100-6713	1	Nut-Bulkhead
14	106-4945	1	Elbow
14:1	100-6712	1	O-Ring
15	106-4943	1	Adapter ASM
15:1	100-6712	1	O-Ring
16	100-6722	1	Nipple
17	100-6723	1	Tee
18	106-5106	1	Boom Bypass Hose ASM
18:1	106-4945	1	Elbow
18:1:1	100-6712	1	O-Ring

Ref. No.	Part No.	Qty.	Description
18:2	106-4948	1	Hose Barb ASM
18:2:1	100-6882	1	O-Ring
18:3	99-0782	2	Clamp-Hose
18:4	104-9044	1	Hose-Boom Bypass

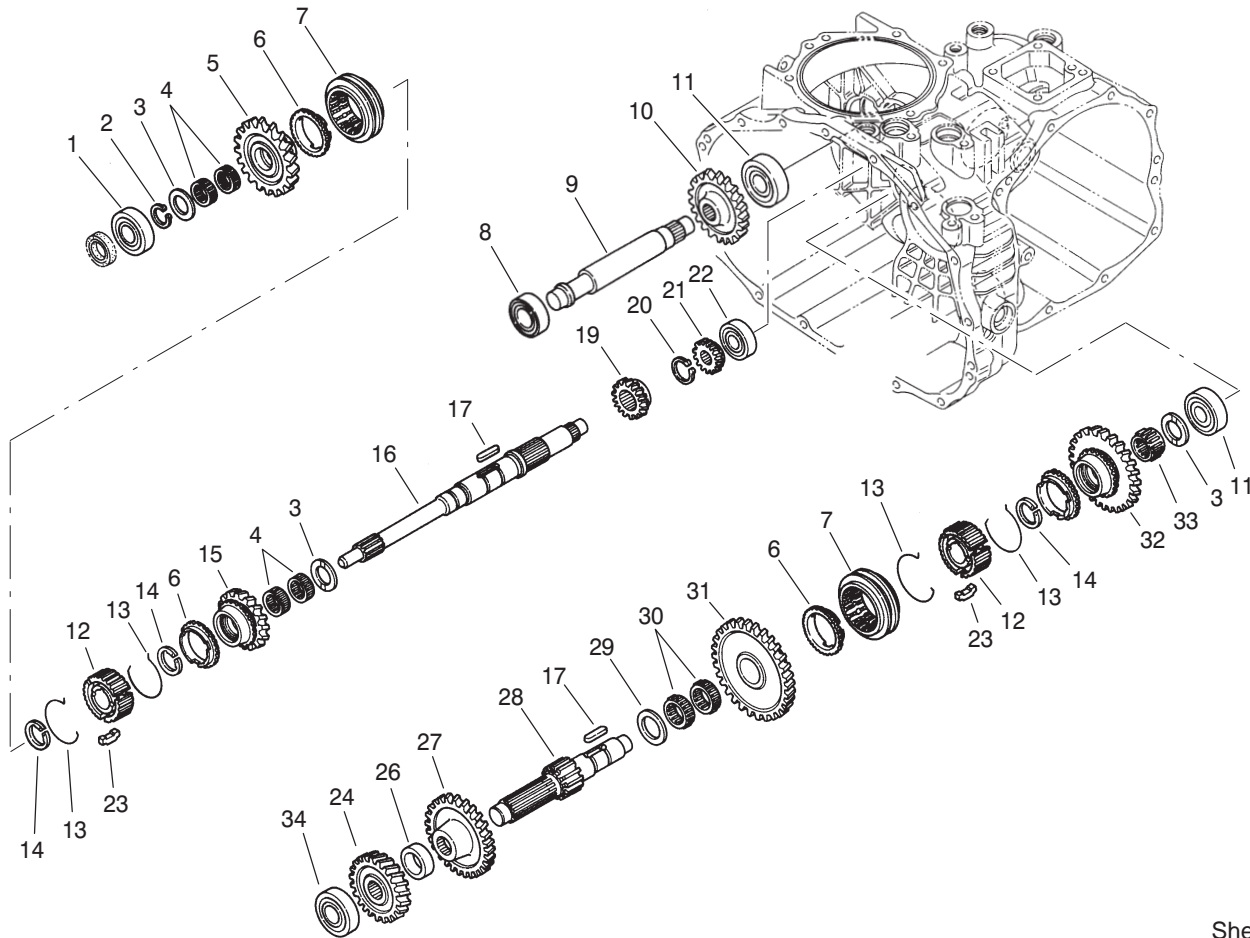


Sheet No.:83

Transaxle Case Assembly Transaxle Assembly No. 104-9078

Ref. No.	Part No.	Qty.	Description	Ref. No.	Part No.	Qty.	Description
1	100-8595	1	Cover-PTO	25	92-0706	1	Shaft-Fork
2	48-7930	1	Nut	26	92-0791	1	Seal-Oil
3	92-0762	1	Washer-Spring	27	92-0743	1	Breather-Air
4	33114-025	11	Screw-HH	28	92-0804	1	Stud
5	92-0662	1	Cap-Oil	29	92-0790	1	O-Ring
6	92-0788	1	O-Ring	30	92-0655	1	Cover-Seal, Axle
7	92-0810	1	Cover-Upper, Sensor	31	92-0796	5	Bolt
8	92-0765	4	Pin-Parallel	32	3253-4	42	Washer-Lock
9	92-0653	1	Cover-Side	33	92-0775	2	Bearing
10	33114-040	25	Screw-HH	34	100-4465	1	Shim (W/Tab)
11	92-0809	1	Set-Shim	35	100-6924	1	Plug
12	92-0787	1	O-Ring	36	100-6925	1	Packing
13	92-0773	1	Plug-Drain	37	85-4350	1	Sensor-Geartooth
14	92-0789	1	O-Ring	38	48-7610	1	Screw
15	92-0760	1	Ring-Snap	39	48-8020	1	Washer-Spring
16	92-0793	2	Seal-Oil	*99	100-6928	1	Bolt
17	92-0654	1	Carrier-Differential	*99	100-8594	1	Cover-Input Shaft
18	48-7730	5	Screw-HH				
19	92-0651	1	Case-Transmission				
20	100-4460	1	Shim Set				
21	100-4461	1	Plate-Center				
22	92-0759	1	Ring-Snap				
23	92-0807	1	Cap-Sealing				
24	48-7560	1	Bolt-HH				

* Not illustrated



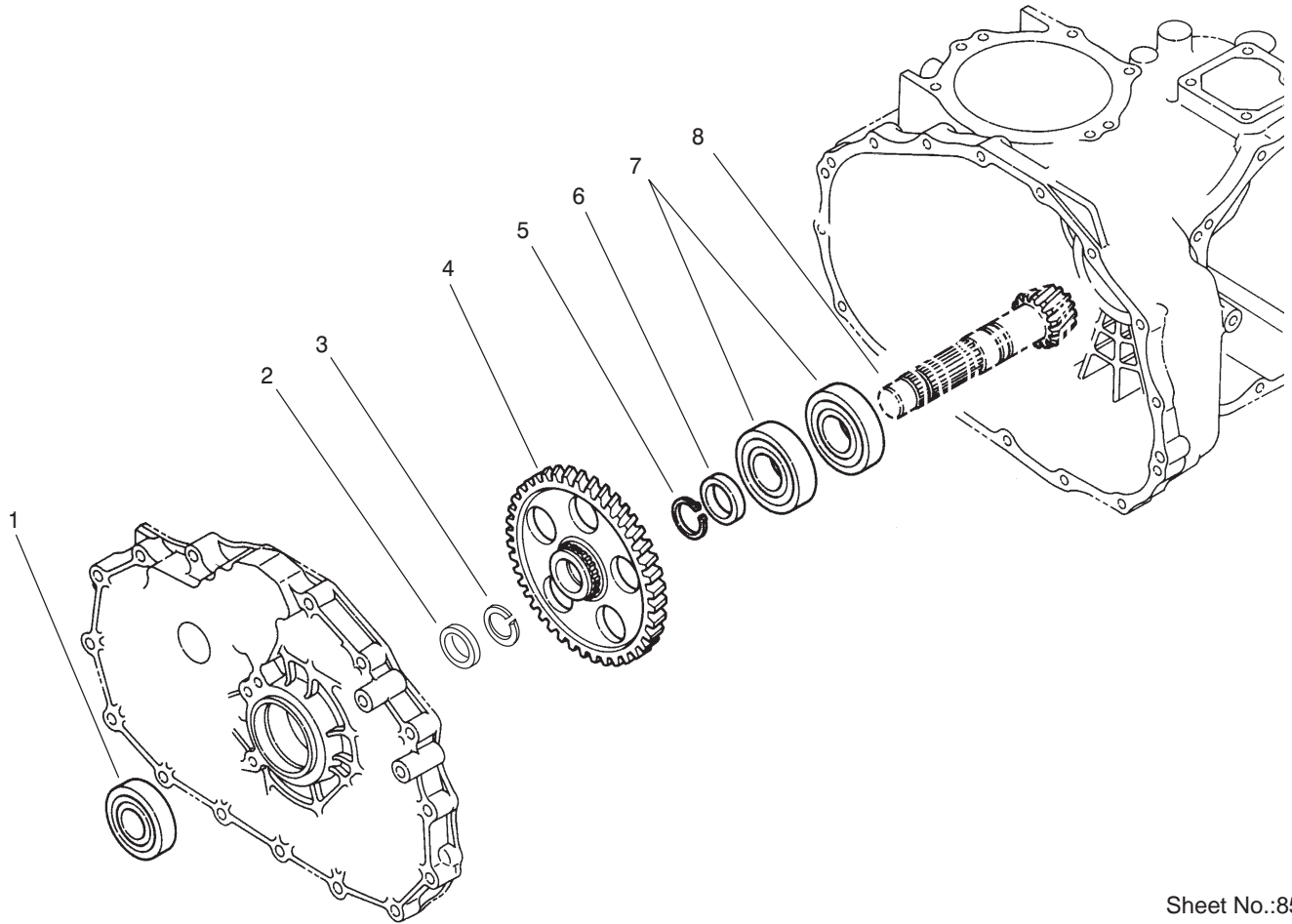
Sheet No.:84

T-3957

Transaxle Gear Shaft Assembly Transaxle Assembly No. 104-9078

Ref. No.	Part No.	Qty.	Description
1	251-8	1	Bearing-Ball
2	92-0753	1	Ring-Snap
3	92-0740	3	Washer-Thrust
4	92-0781	4	Bearing-Needle
5	100-8597	1	Gear-Main, 36 Tooth
6	92-0667	3	Ring-Synchro
7	92-0668	2	Shifter-Synchro
8	251-346	2	Bearing-Ball
9	100-8602	1	Shaft-Idler, Rev
10	92-0684	1	Gear-Reverse, 33 Tooth
11	92-0778	2	Bearing
12	92-0664	2	Hub-Synchro
13	92-0666	4	Spring-Synchro
14	92-0763	3	Ring-Snap
15	100-8598	1	Gear-Main, 20 Tooth
16	100-8596	1	Shaft-Main
17	92-0772	2	Key
19	92-0671	1	Gear-Main, 22 Tooth
20	92-0754	1	Ring-Snap
21	92-0673	1	Gear-Main, 14 Tooth
22	92-0650	1	Bearing
23	92-0665	6	Key-Synchro

Ref. No.	Part No.	Qty.	Description
24	92-0676	1	Gear-Reduction, 32 Tooth
26	100-8601	1	Collar
27	92-0819	1	Gear-Reduction, 40 Tooth
28	92-0674	1	Shaft-Reduction
29	92-0682	1	Washer-Thrust
30	92-0681	2	Bearing-Needle
31	100-8599	1	Gear-Red, 25 Tooth
32	100-8600	1	Gear-Red, 47 Tooth
33	92-0782	1	Bearing-Needle
34	105-7985	1	Bearing



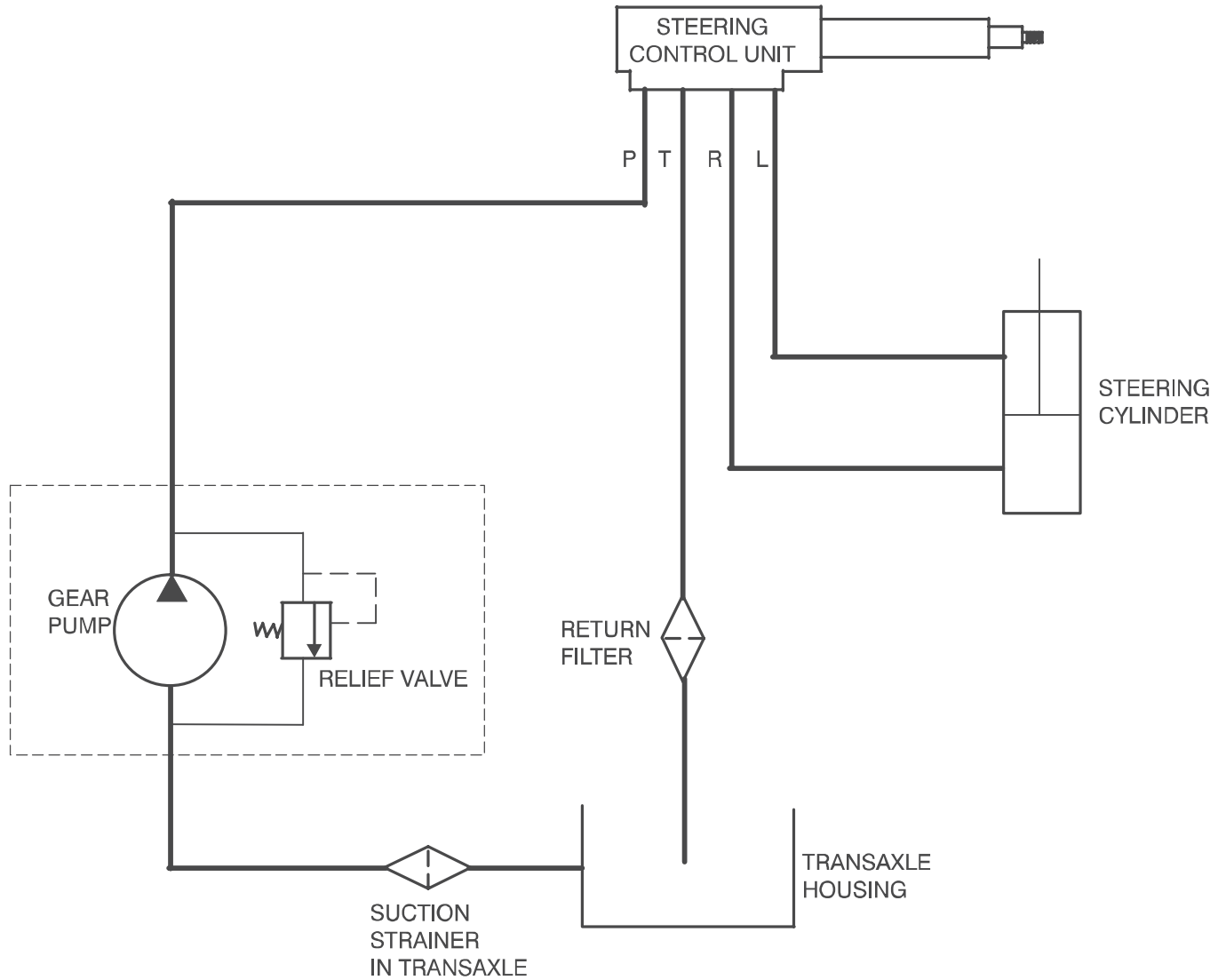
Sheet No.:85
T-3958

Countershaft Assembly Transaxle Assembly No. 104-9078

Ref. No.	Part No.	Qty.	Description
1	92-0712	1	Bearing-Ball
2	92-0716	1	Collar
3	92-0764	1	Ring-Snap
4	100-8603	1	Gear-Count
5	92-0755	1	Ring-Snap
6	92-0713	1	Collar
7	92-0714	2	Bearing
8	92-0710	1	Gear-Ring

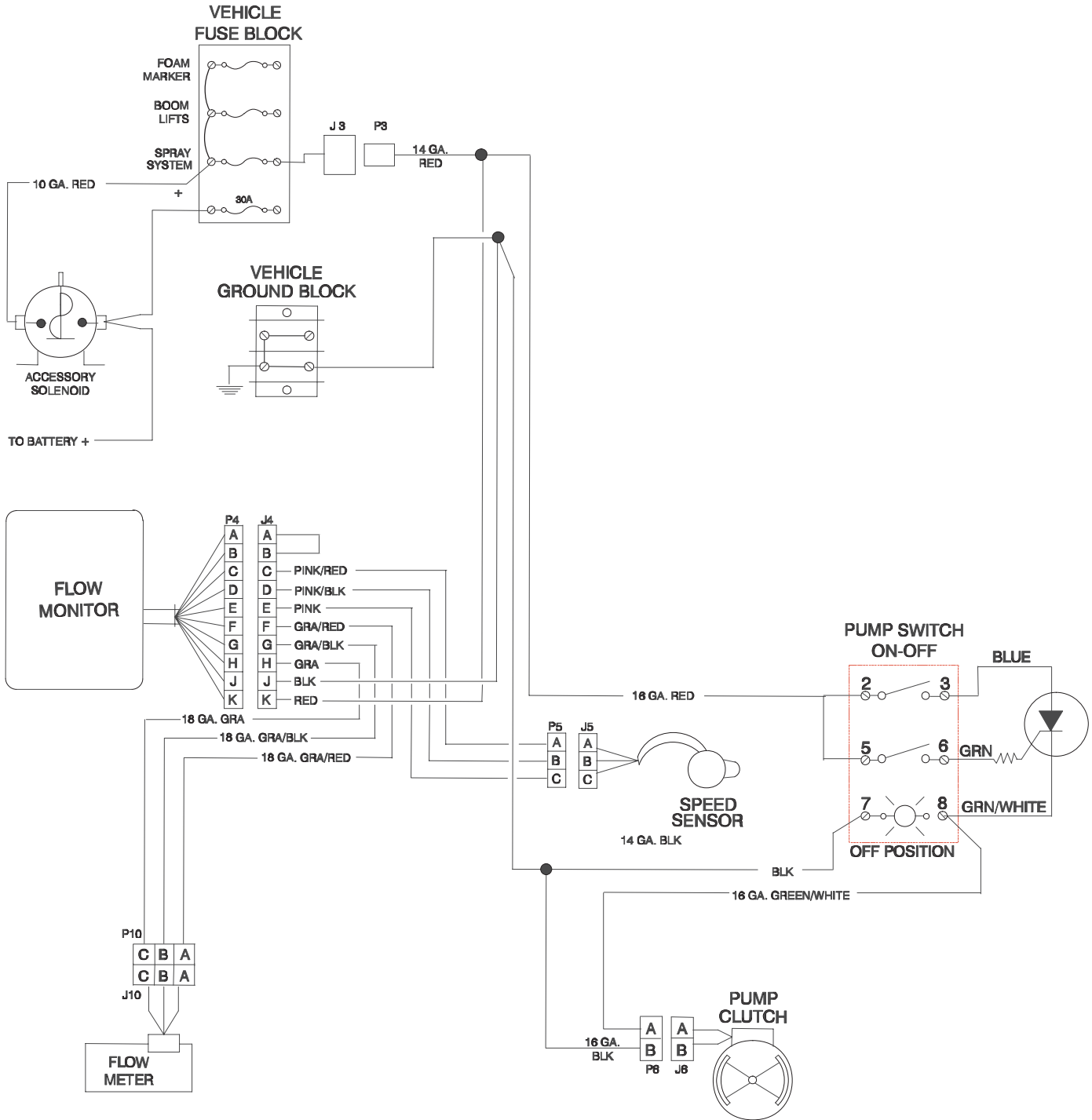
Ref. No.	Part No.	Qty.	Description

Vehicle Hydraulic Schematic

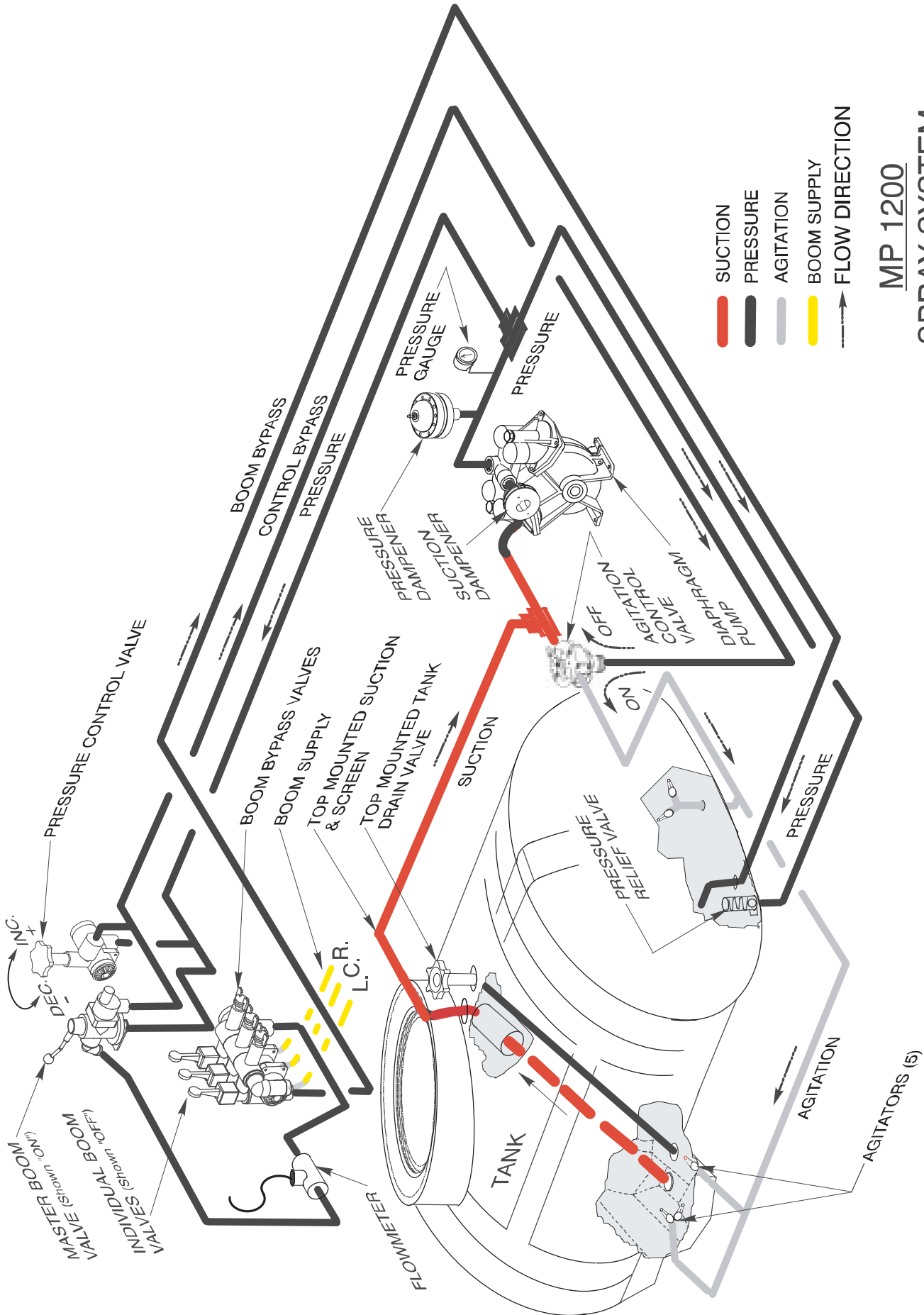


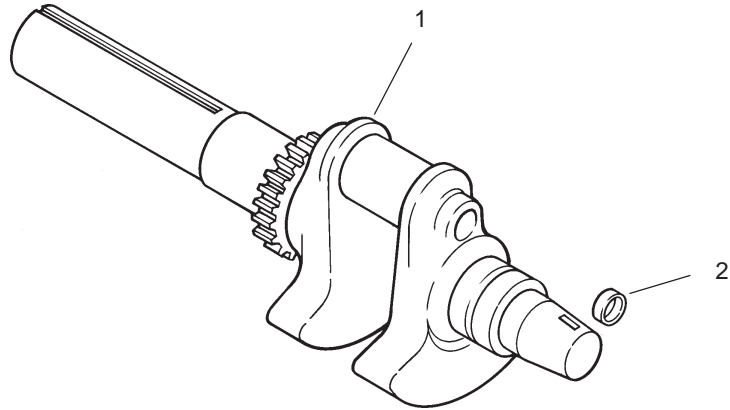
T = TANK
L = WORKING PRESSURE
R = WORKING PRESSURE
P = PRESSURE

Spray System Electrical Schematic



Spray System Flow Diagram



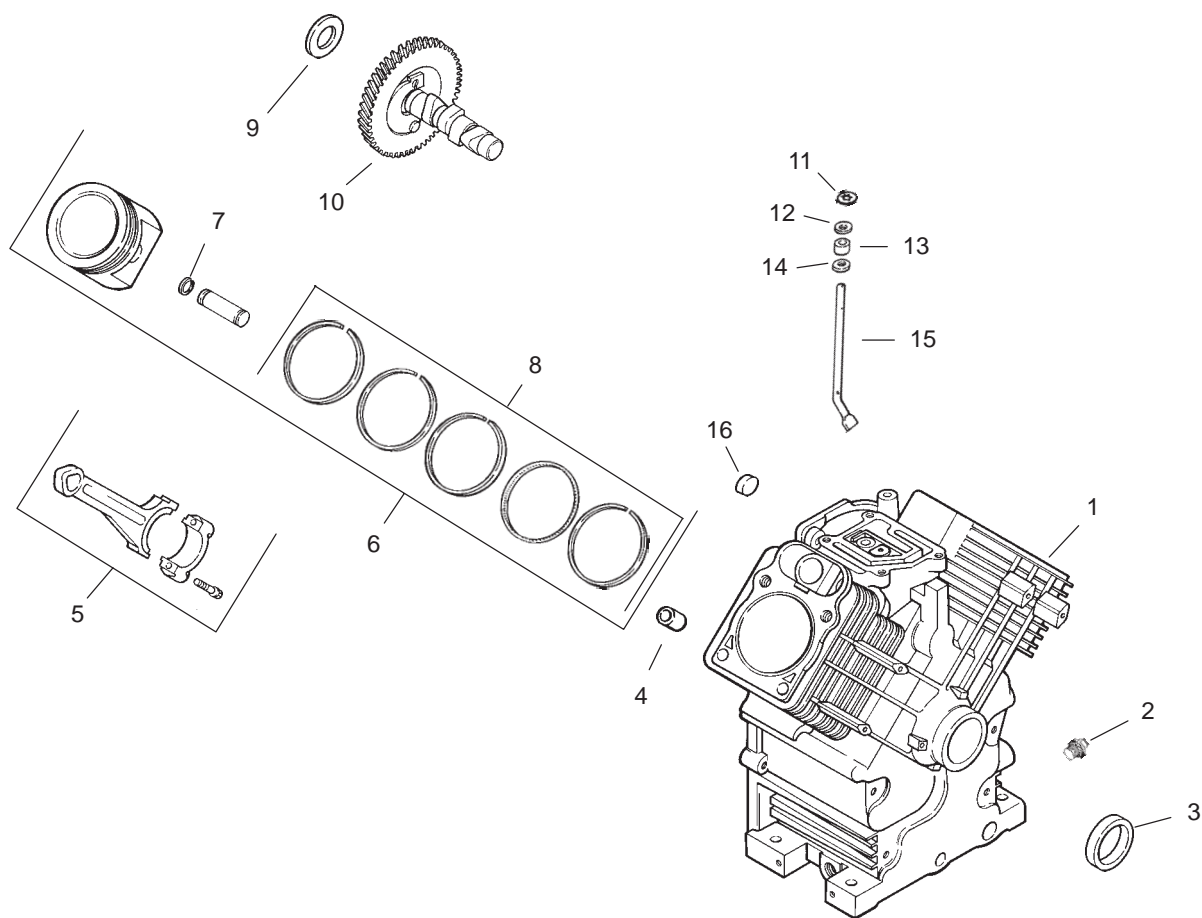


Crankshaft Assembly Kohler CH20S-64647

Ref. No.	Part No.	Qty.	Description
1	24 014 103-S	2	Crankshaft (Includes 2)
2	52 139 09-S	1	Plug, cup

Ref. No.	Part No.	Qty.	Description

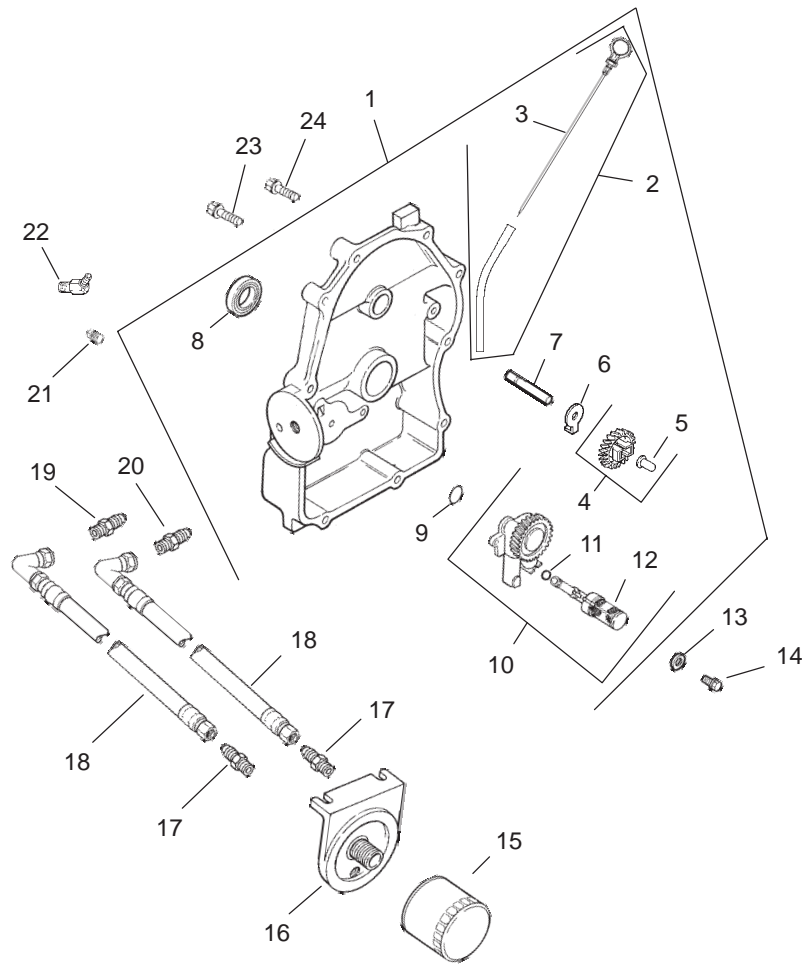
Obtain Parts from Kohler



Crankcase Assembly Kohler CH20S-64647

Ref. No.	Part No.	Qty.	Description	Ref. No.	Part No.	Qty.	Description
1		1	Cylinder Block (Use Miniblock 24 782 15)	10	24 012 10-S	1	Camshaft
2	25 139 57-S	2	Plug, sq. hd. 3/8	11	24 018 09-S	1	Ring, retainer
3	24 032 01-S	1	Seal, front oil	12	M-931010-S	1	Washer, plain 9 mm
4	24 380 13-S	6	Pin, locating	13	28 032 09-S	1	Seal, governor cross shaft
5	24 067 13-S	2	Connecting Rod (Std.)	14	24 468 15-S	1	Washer, plain 1/4
	24 067 14-S	2	Connecting Rod (.25)	15	24 144 33-S	1	Shaft, governor cross
6	24 874 17-S	2	Piston w/Ring Set (Std.) (Includes 7,8)	16	52 139 09-S	1	Plug, cup
	24 874 14-S	2	Piston w/Ring Set (.08)				
	24 874 18-S	2	Piston w/Ring Set (.25)				
	24 874 19-S	2	Piston w/Ring Set (.50)				
7	24 018 01-S	4	Retainer, piston pin				
8	24 108 11-S	2	Ring Set (Std. & .08)				
	24 108 12-S	2	Ring Set (.25)				
	24 108 13-S	2	Ring Set (.50)				
9	12 422 09-S	A/R	Shim, camshaft-red				
	12 422 13-S	A/R	Shim, camshaft-black				
	12 422 07-S	A/R	Shim, camshaft-white				
	12 422 08-S	A/R	Shim, camshaft-blue				
	12 422 10-S	A/R	Shim, camshaft-yellow				
	12 422 11-S	A/R	Shim, camshaft-green				
	12 422 12-S	A/R	Shim, camshaft-gray				

Obtain Parts from Kohler

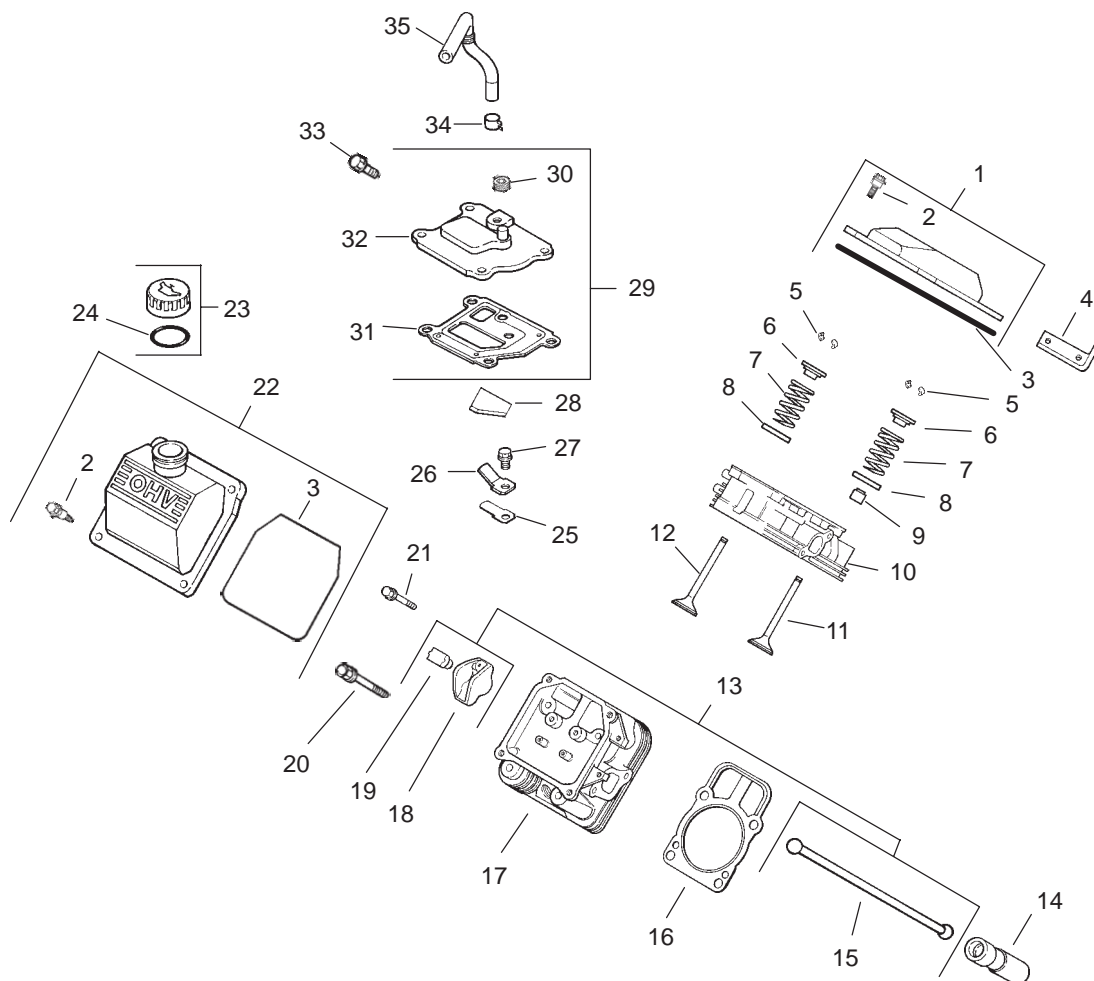


Oil Pan / Lubrication Assembly Kohler CH20S-64647

Ref. No.	Part No.	Qty.	Description
1	24 009 96-S	1	Plate, closure asm (Includes 2-12, 19, 20, 22)
2	24 755 121-S	3	Kit, dipstick w/tube (Includes 3)
3	24 038 10-S	1	Dipstick
4	24 043 12-S	5	Kit, governor gear (Includes 5)
5	12 380 01-S	1	Pin, governor regulating
6	52 448 02-S	1	Tab, locking
7	12 144 02-S	1	Shaft, governor gear
8	52 032 08-S	1	Seal, oil (PTO end)
9	24 153 08-S	1	O-Ring
10	24 393 37-S	1	Oil pump assembly (Includes 11,12)
11	24 153 01-S	1	O-Ring, oil pick-up
12	24 381 04-S	1	Tube, oil pick-up
13	M-631005-S	2	Washer, plain 6 mm
14	M-645025-S	2	Screw, hex. flange M6x1.0x25
15	52 050 02-S	1	Filter, oil
16	25 029 01-S	1	Adapter, remote filter
17	52 155 03-S	2	Connector, hose

Ref. No.	Part No.	Qty.	Description
18	24 326 46-S	2	Hose, oil
19	24 294 08-S	1	Fitting, connector
20	24 294 09-S	1	Fitting, connector
21	25 155 11-S	1	Connector, hose 45
22	24 086 16-S	9	Screw, hex. flange M8x1.25x45
23	24 086 17-S	1	Screw, hex. flange M8x1.25x45
	25 454 03-S	2	Not Illustrated Tie, wire

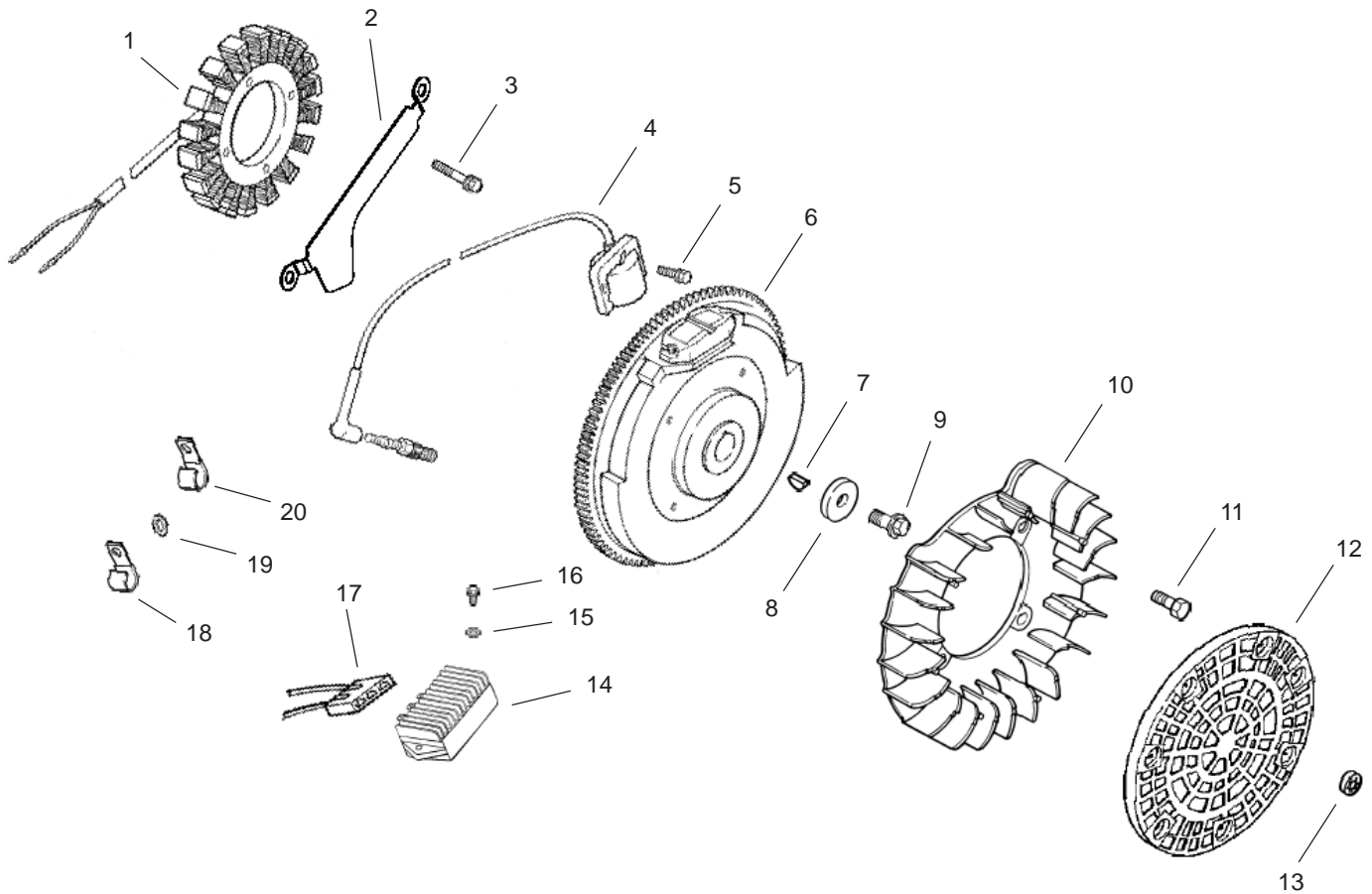
Obtain Parts from Kohler



Head / Valve / Breather Assembly Kohler CH20S-64647

Ref. No.	Part No.	Qty.	Description	Ref. No.	Part No.	Qty.	Description
1	24 755 74-S	1	Kit, valve cover – plain (Includes 2,3)	19	24 599 01-S	4	Pivot, rocker arm
2	24 086 32-S	4	Screw, shoulder	22	12 086 16-S	8	Screw, hex. flange M10x1.5x90
3	24 153 23-S	1	O-Ring, valve cover	21	M-640034-S	4	Screw, hex. flange M6x1.0x34
4	24 445 01-S	1	Strap, lifting	22	24 559 03-S	1	Kit, fuel pump/valve cover (Includes 2,3)
5	12 755 03-S	4	Kit, retainer	23	24 755 46-S	1	Kit, oil fill cap (Includes 24)
6	12 173 01-S	4	Cap, valve spring	24	25 153 02-S	1	O-Ring
7	24 089 02-S	4	Spring, valve	25	24 402 03-S	1	Reed, breather
8	235011-S	4	Retainer, spring	26	12 018 01-S	1	Retainer, breather reed
9	66 032 05-S	2	Seal, valve stem	27	M-545010-S	1	Screw, hex. flange M5x0.8x10
10	24 318 68-S	1	Head assembly, #1 cylinder	28	24 050 01-S	1	Filter, breather
11	24 017 01-S	2	Valve, intake (Std.)	29	24 033 01-S	1	Kit, breather (Includes 30-32)
	24 017 02-S	2	Valve, intake (.25)	30	25 139 60-S	1	Plug, allen head 1/8 pipe
12	24 016 01-S	2	Valve, exhaust (Std.)	31	24 041 23-S	1	Gasket, breather
	24 016 02-S	2	Valve, exhaust (.25)	32	24 096 86-S	1	Cover, breather
13	24 755 66-S	1	Kit, valve train (Includes 15,18,19)	33	M-645020-S	4	Screw, hex. flange
14	25 351 01-S	4	Lifter, valve	34	25 237 14-S	1	Clamp, breather
15	24 411 05-S	4	Rod, push	35	24 326 26-S	1	Hose, breather
16	24 041 08-S	2	Gasket, cylinder head				
17	24 318 71-S	1	Head assembly, #2 cylinder				
18	25 186 01-S	4	Arm, rocker				

Obtain Parts from Kohler

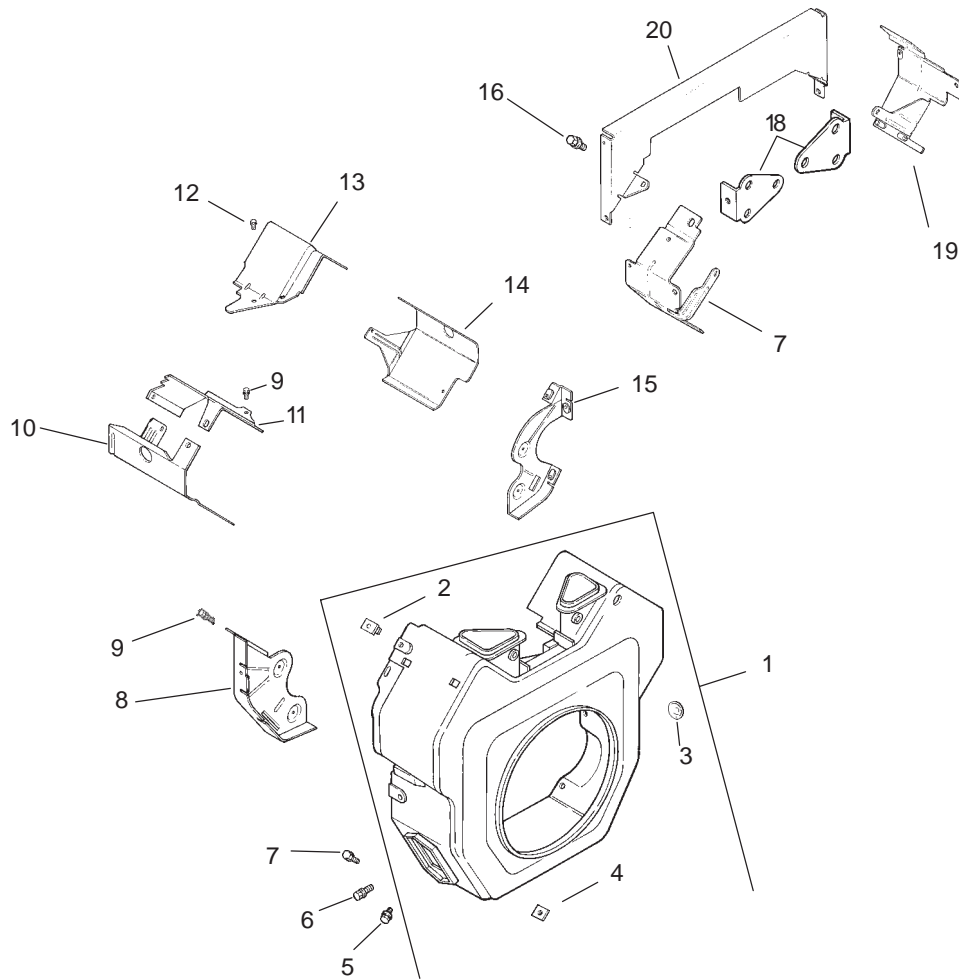


Ignition / Electrical Assembly Kohler CH20S-64647

Ref. No.	Part No.	Qty.	Description
1	28 085 02-S	1	Kit, stator w/connectors (Includes 17)
2	24 126 71-S	1	Bracket, stator wire
3	M-545030-S	2	Screw, hex. cap M5x0.8x30
4	24 584 01-S	2	Module, ignition
5	M-545020-S	4	Screw, hex. flange M5x0.8x20
6	24 025 01-S	1	Flywheel
7	X-42-15-S	1	Key
8	12 468 03-S	1	Washer, plain 3/8
9	12 086 14-S	1	Screw, hex. flange M10x1.5x46
10	24 157 01-S	1	Fan
11	25 086 47-S	4	Bolt, shoulder M6x1.0x16
12	24 162 03-S	1	Screen, grass
13	24 018 03-S	1	Retainer, grass screen
14	25 403 05-S	1	Rectifier-regulator 20 amp
15	X-25-92-S	2	Washer, plain 3/16
16	24 086 18-S	2	Screw, phillips hd. 11-16x7/8
17	236602-S	1	Connector, body

Ref. No.	Part No.	Qty.	Description
18	235173-S	1	Clip, cable
19	X-25-63-S	1	Washer, plain 1/4
20	48 154 02-S	1	Clip, cable
21	12 132 06-S	2	Spark Plug
			Not Illustrated
	24 518 12-S	1	Lead, black (5-12 ga. insulated grip barrel eyelet terminals)
	24 176 72-S	1	Harness, wiring
	X-22-11-S	1	Washer, lock 1/4 (for ground screw & wire)
	25 454 03-S	2	Tie, wire

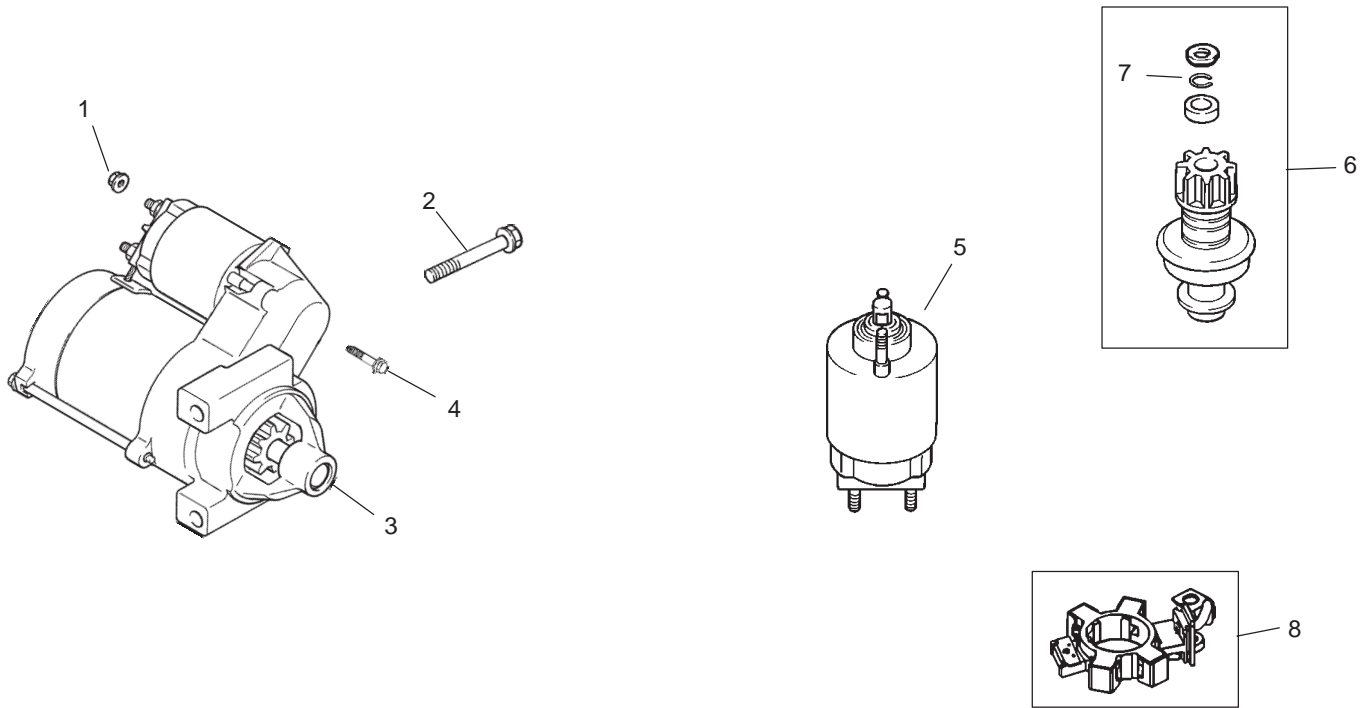
Obtain Parts from Kohler



Blower Housing and Baffle Assembly Kohler CH20S-64647

Ref. No.	Part No.	Qty.	Description	Ref. No.	Part No.	Qty.	Description
1	24 027 175-S	1	Housing, blower (Includes 2-4)				#1 side
2	24 100 02-S	2	Nut, plastic	16	M-639010-S	4	Screw, hex. flange M6x1.0x10
3	25 139 16-S	1	Plug, button 9/16	17	24 063 13-S	1	Baffle, ducted air # 2 side
4	24 100 01-S	3	Nut, plastic	18	24 126 04-S	2	Bracket, support
5	M-551016-S	1	Screw, hex. flange M5x0.8x16	19	24 063 12-S	1	Baffle, ducted air #1 side
6	M-545016-S	3	Screw, hex. flange M5x0.8x16				Not Illustrated
7	M-545020-S	4	Screw, hex. flange M5x0.8x20	24 113 12-S	1	Decal, HP	
8	24 146 16-S	1	Plate, backing #2 side				
9	M-645016-S	6	Screw, hex. flange M6x1.0x16				
10	24 063 20-S	1	Baffle, cylinder barrel #2 side				
11	24 063 17-S	1	Baffle, valley - #2 side				
12	M-545010-S	2	Screw, hex. flange M5x0.8x10				
13	24 063 59-S	1	Baffle, valley - #1 side				
14	24 063 58-S	1	Baffle, cylinder barrel #1 side				
15	24 146 20-S	1	Plate, backing				

Obtain Parts from Kohler

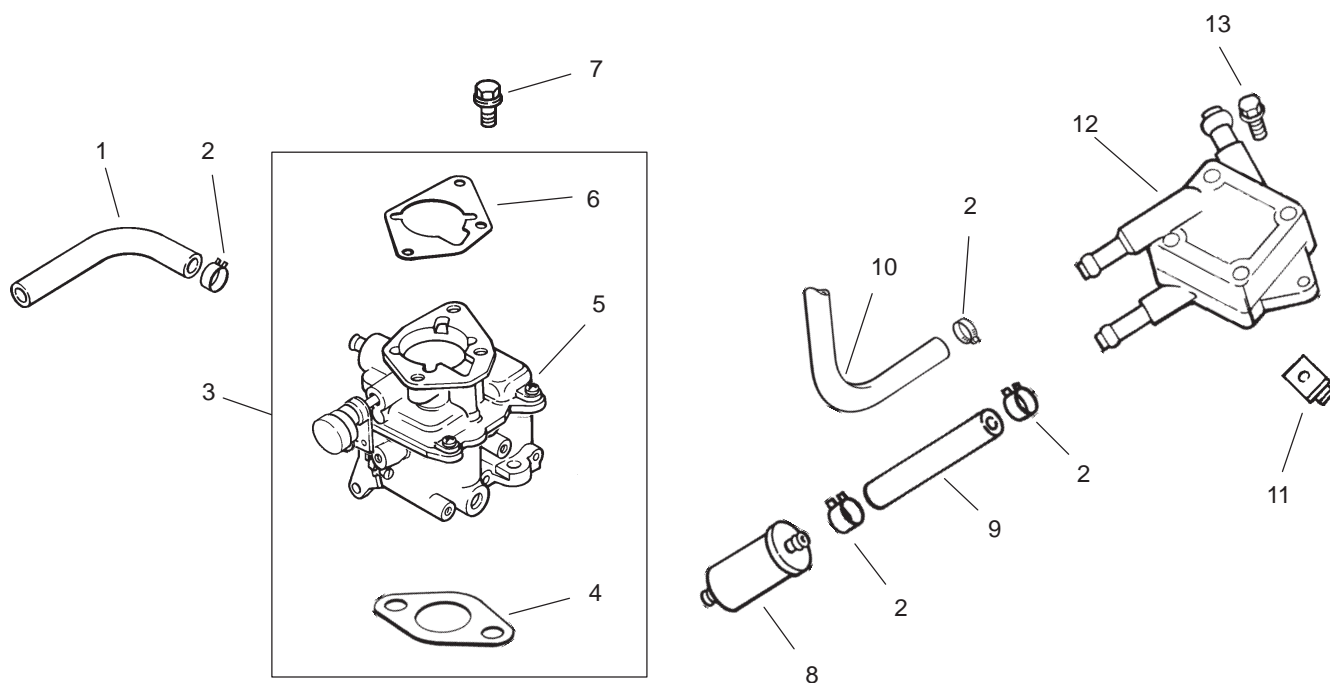


Starting System Kohler CH20S-64647

Ref. No.	Part No.	Qty.	Description
1	M-841080-S	1	Nut, hex flange M8x1.25
2	M-839080-S	2	Screw, hex. flange M8x1.25x80
3	24 098 09-S	1	Starter, solenoid shift asm (Includes 4-18)
4	25 086 113-S	3	Screw, ext. torx hd.
5	25 435 05-S	4	Kit, solenoid (Includes 4)
6	25 755 33-S	7	Kit, pinion drive (Includes 7)
7	25 141 05-S	1	Ring
8	25 221 01-S	1	Kit, brush

Ref. No.	Part No.	Qty.	Description

Obtain Parts from Kohler

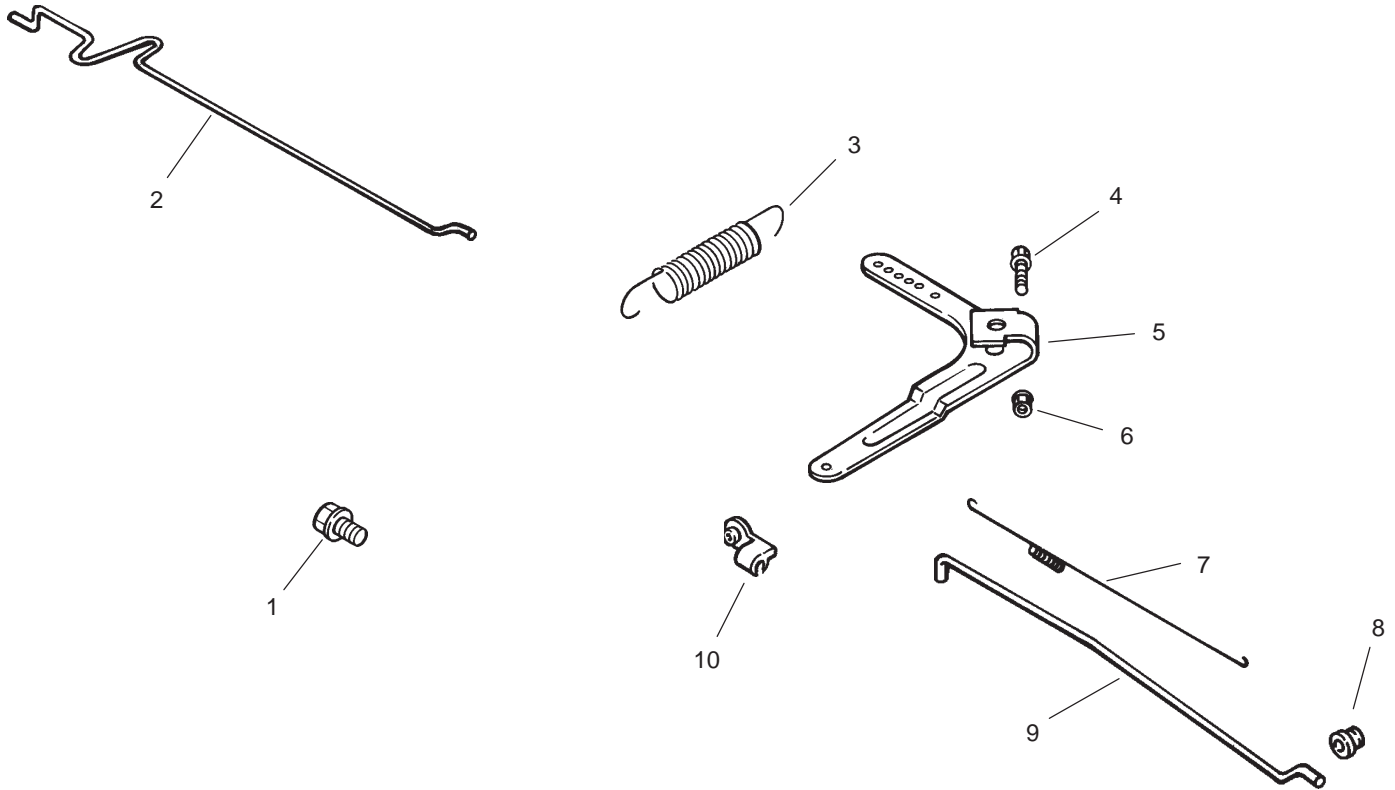


Fuel System Assembly Kohler CH20S-64647

Ref. No.	Part No.	Qty.	Description
1	25 353 32-S	1	Line, fuel 9-1/2
2	25 237 14-S	6	Clamp, hose
3	24 853 33-S	1	Kit, carburetor w/gasket (Includes 4-6)
4	24 041 06-S	1	Gasket, air cleaner base
5		1	Carburetor assembly (Includes 24 75701-S, 24 757 02-S, 24 757 03-S, 24 757 07-S, 24 757 08-S & 24 757 09-S) 2405333 (For information only not available separately)
6	24 041 17-S	1	Gasket, carburetor
7	M-651030-S	2	Screw, hex. flange M6x1.0x30
8	24 050 02-S	1	Filter, fuel
9	25 353 15-S	1	Line, fuel 3-1/2
10	24 353 02-S	1	Line, fuel 15-1/2
11	24 100 01-S	2	Nut, plastic

Ref. No.	Part No.	Qty.	Description
12	24 393 16-S	1	Pump, fuel
13	24 086 12-S	2	Screw, hex. cap M6x1.7x18
	24 755 125-S	1	Not Illustrated Kit, high altitude w/gaskets
	24 757 01-S	1	Kit, solenoid repair
	24 757 02-S	1	Kit, float repair
	24 757 03-S	1	Kit, carburetor repair
	24 757 07-S	1	Kit, choke repair
	24 757 08-S	1	Kit, repair - accelerator pump seal
	24 757 09-S	1	Kit, repair - accelerator pump diaphragm

Obtain Parts from Kohler

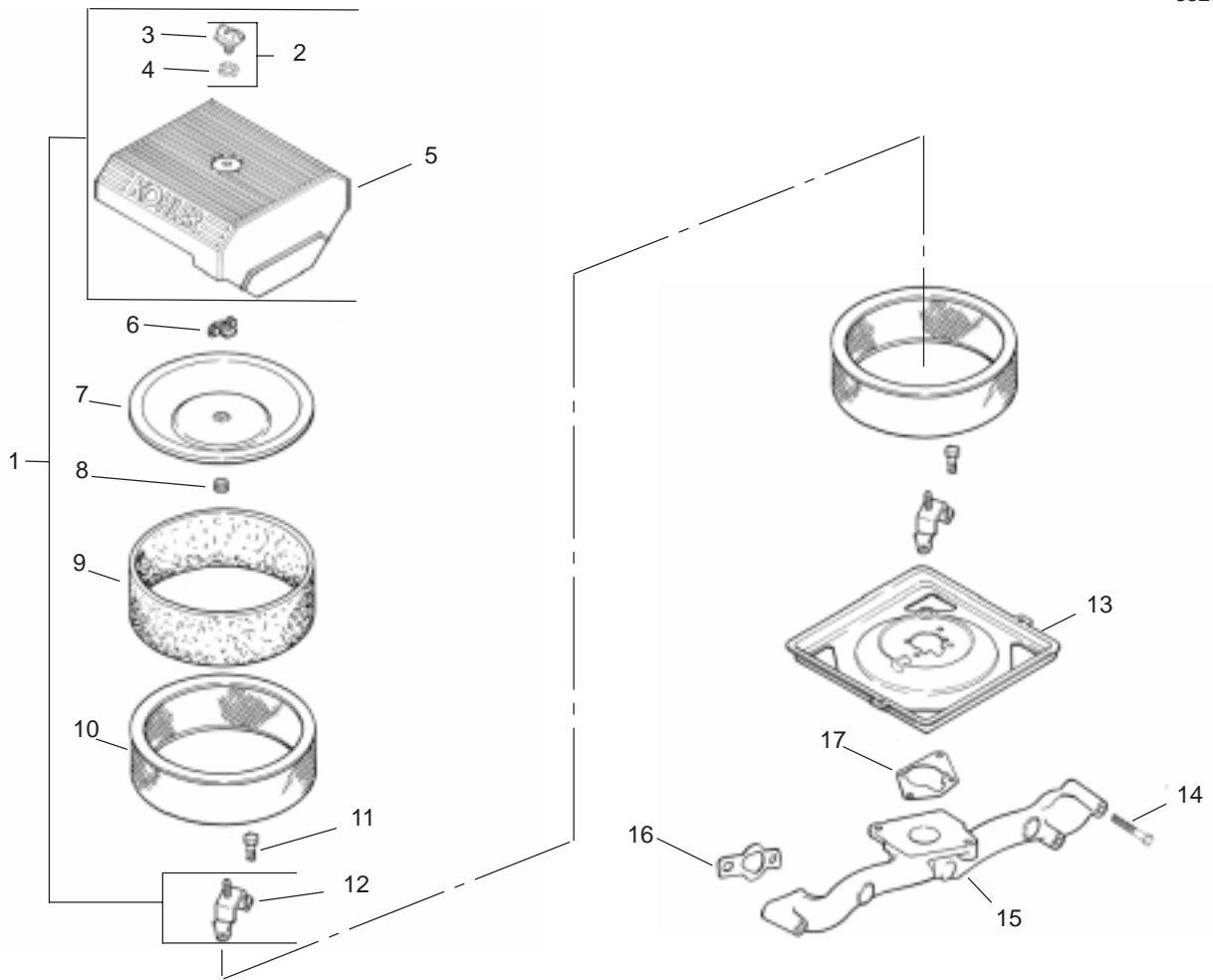


Engine Controls Kohler CH20S-64647

Ref. No.	Part No.	Qty.	Description
1	M-645016-S	4	Screw, hex. flange M6x1.0x16
2	24 079 21-S	1	Linkage, choke
3	24 089 15-S	1	Spring, governor
4	24 211 03-S	1	Bolt, rd. hd. sq. neck M6x1.0x25
5	24 090 33-S	1	Lever, governor
6	M-641060-S	1	Nut, hex. flange M6x1.0
7	24 089 01-S	1	Spring, linkage
8	25 158 08-S	1	Bushing, throttle linkage
9	24 079 01-S	1	Linkage, throttle
10	25 158 11-S	1	Bushing, linkage retaining
	25 454 03-S	1	Not Illustrated Tie, wire

Ref. No.	Part No.	Qty.	Description

Obtain Parts from Kohler



Air Intake / Filtration Assembly Kohler CH20S-64647

Ref. No.	Part No.	Qty.	Description
1	24 743 05-S	1	Kit, air cleaner cover (Includes 2-5,12)
2	54 755 01-S	1	Kit, knob with seal (Includes 3,4)
3	25 341 03-S	1	Knob, cover
4	24 153 20-S	1	Seal, air cleaner cover knob
5	24 096 67-S	1	Cover, air cleaner
6	12 100 01-S	1	Wing Nut
7	24 096 01-S	1	Cover, inner air cleaner
8	24 032 03-S	1	Seal, inner air cleaner
9	24 083 02-S	1	Precleaner, element
10	47 083 03-S	1	Element, air cleaner
11	M-639016-S	3	Screw, hex. flange M6x1.0x16
12	24 126 21-S	1	Bracket, air cleaner base
13	24 094 24-S	1	Base, air cleaner
14	25 086 84-S	4	Screw, hex. flange M6x1.0x55
15	24 164 14-S	1	Manifold, intake
16	24 041 01-S	2	Gasket, intake manifold
17	24 041 06-S	1	Gasket, air cleaner base

Ref. No.	Part No.	Qty.	Description

Obtain Parts from Kohler

