



22in Recycler[®] Lawnmower

Model No. 20008-230000001 and Up

Model No. 20009-230000001 and Up

Parts Catalog

Ordering Replacement Parts

To order replacement parts, please supply: the part number, the quantity, and the description of each part desired.

Understanding Reference Numbers

Each identified part in an illustration has a reference number. The reference number for a part also appears in the parts list, along with other information about the part.

This catalog uses two special reference number formats, one to indicate parts in a service assembly and another to indicate the quantity of a given part in an illustration.

Service Assembly Reference Numbers

Parts in service assemblies have reference numbers in the form **a:b**. The **a** represents the reference number of the entire service assembly and the **b** represents a sequential number unique to each part within the service assembly.

For example, a wheel assembly might be identified by reference number **6**, the tire by **6:1**, the valve by **6:2**, and the wheel by **6:3**. When you order the assembly identified by reference number **6**, you receive all parts identified by reference numbers **6:1**, **6:2**, and **6:3**. However, you may also order any part individually.

Reference numbers of this type appear in illustrations and in part lists.

Reference Numbers Indicating Quantity

In an illustration, if a reference number indicates more than one part, the reference number has the form **nX y**. The **n** represents the quantity of the part, the **X** is the multiplication symbol, and the **y** represents the reference number.

For example, in an illustration, the reference number **2X 37** means that two of the parts identified by reference number **37** are indicated.

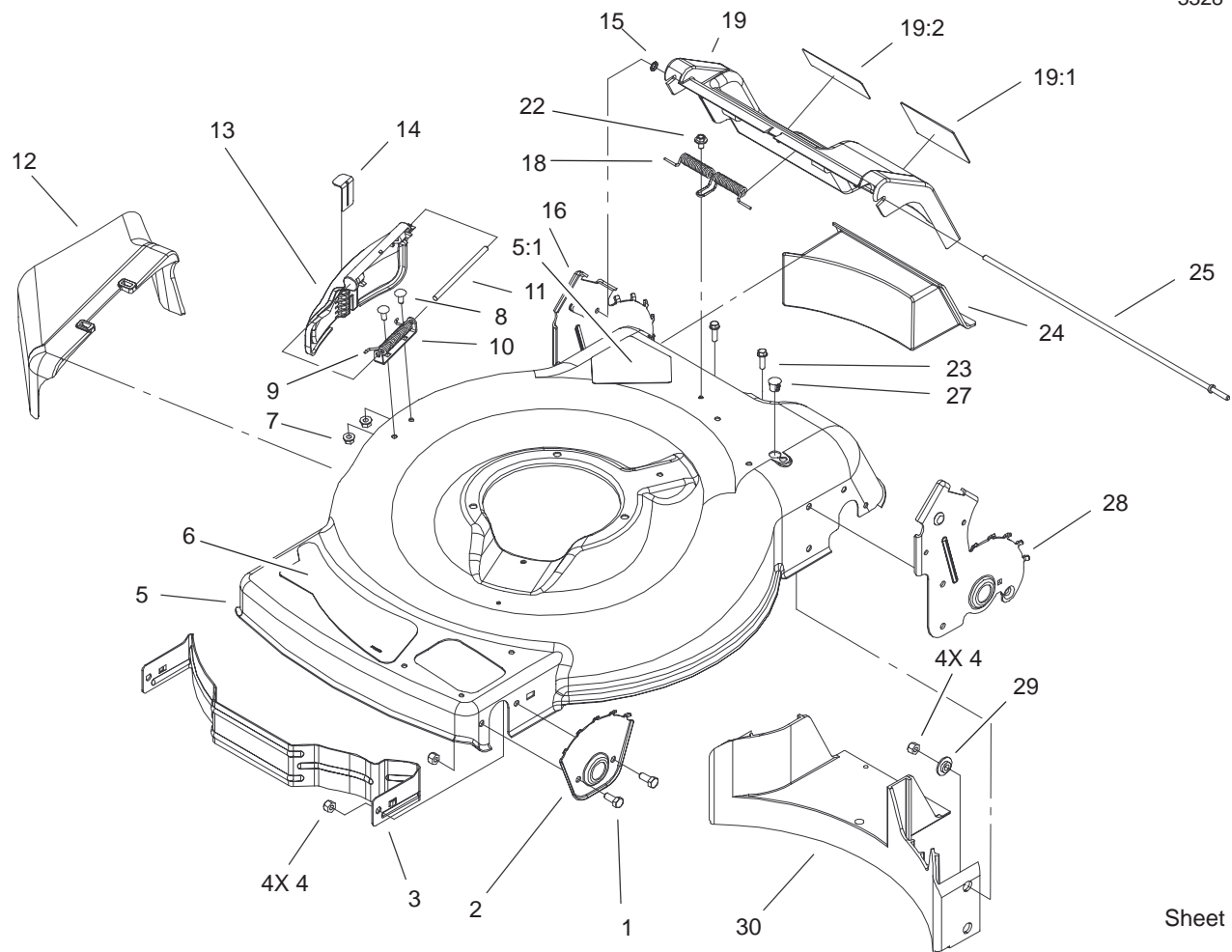
Contents

Description	Page	Description	Page
Deck, Side Chute, and Rear Door Assembly	3		
Rear Axle and Wheel Assembly	4		
Front Axle and Wheel Assembly	5		
Engine and Blade Assembly	6		
Handle and Control Assembly	7		
Engine Assembly			
Tecumseh Model No. LEV120-362003A ...	8		
Engine Assembly			
Tecumseh Model No. LEV120-362003A ...	9		
Engine Assembly (continued)			
Tecumseh Model No. LEV120-362003A ...	10		
Recoil Starter Assembly No. 590702 (Optional)			
Tecumseh Model No. LEV120-362003A ...	11		
Recoil Starter Assembly No. 590739			
Tecumseh Model No. LEV120-362003A ...	12		
Carburetor Assembly No. 640303			
Tecumseh Model No. LEV120-362003A ...	13		

Part Description Abbreviations

Part descriptions in this catalog may include the following abbreviations.

Abbreviation	Meaning	Abbreviation	Meaning
AR	as required	HYD	hydraulic
ASM	assembly	INC	incorporated
CARR	carriage	LH	left hand
DEG	degrees	NI	nylon insert
FH	flat head	PPH	Phillips pan head
GA	gauge	PTH	Phillips truss head
HF	hex flange	PTO	power take off
HH	hex head	RH	right hand
HHF	hex head flange	SFH	slotted fillister head
HLH	hex lag head	SHH	slotted hex head
HJ	hex jam	SQH	square head
HOC	height-of-cut	SHWH	slotted hex washer head
HS	hex socket	SPH	slotted pan head
HSBH	hex socket button head	SRH	slotted round head
HSFH	hex socket flat head	STD	standard
HSH	hex socket head	TAP	self tapping
HWH	hex washer head	TTH	Torx truss head
HWHTF	hex washer head thread forming	WH	wing head



Sheet No.:2

Deck, Side Chute, and Rear Door Assembly

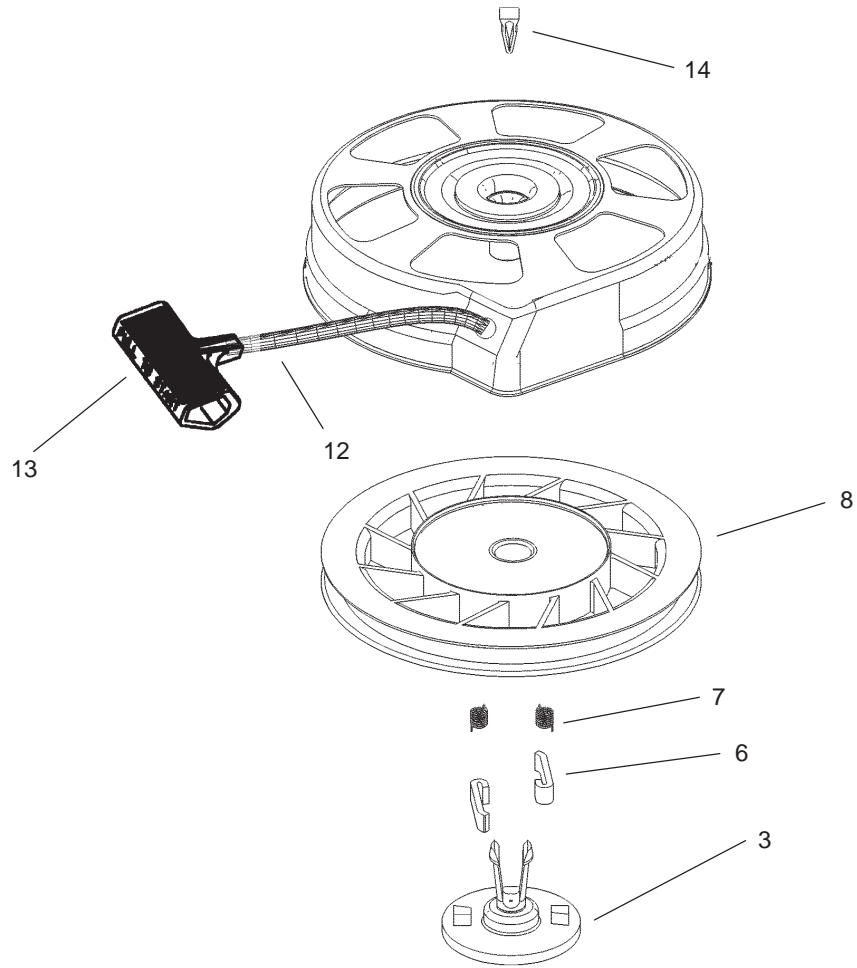
Ref. No.	Part No.	Qty.	Description	Ref. No.	Part No.	Qty.	Description
1	322-3	4	Screw-HH	19	105-1324	1	Door (only on: 20009)
2	105-1808-03	2	Plate-HOC, Front	19	105-1323	1	Door (only on: 20008)
3	104-8694-03	1	Baffle-Front	19:1	104-7909	1	Decal-Warning (only on: 20009)
4	3296-29	8	Nut-Lock, NI	19:2	105-1295	1	Decal-Warning, Door (only on: 20008)
5	104-7915	1	Housing (only on: 20008)	19:2	104-7908	1	Decal Warning (only on: 20009)
5	104-7916	1	Housing (only on: 20009)	22	46-6810	1	Screw And Washer ASM
5:1	105-6838	1	Decal-Danger (only on: 20008)	23	46-8091	2	Screw-HWH
5:1	94-8072	1	Decal-Danger, Cut Finger (only on: 20009)	24	105-1842	1	Plug-Discharge, Rear
6	105-1297	1	Decal-Deck	25	105-1827	1	Rod-Pivot, Rear Door
7	32128-32	2	Nut-HHF	27	104-9369	1	Plug-Dome
8	3229-11	2	Screw-CARR	28	105-3044	1	LH Rear HOC Plate ASM
9	99-5293	1	Spring-Torsion	29	105-3006	4	Washer-Stepped
10	99-5292	1	Bracket-Cover	30	105-3047	1	Baffle-Rear
11	99-5291	1	Rod-Cover				
12	105-3028	1	Chute-Side Discharge				
13	105-3027	1	Door-Side Discharge				
14	105-3038	1	Lever-Latch				
15	32112-6	1	Pushnut				
16	105-3045	1	RH Rear HOC Plate ASM				
18	105-3032	1	Spring-Door, Rear				

Engine Assembly

Tecumseh Model No. LEV120-362003A

Ref. No.	Part No.	Qty.	Description	Ref. No.	Part No.	Qty.	Description
1	37465	1	Cylinder (Incl. 2, 20 & 150)	120	36825	1	Cylinder Head
2	26727	2	Dowel Pin	125	36780	1	Exhaust Valve (1/32" OS) (Incl. 151)
6	33734	1	Breather Element	125	37288	1	Exhaust Valve (Std.) (Incl. 151)
7	36557	1	Breather Ass'y. (Incl. 6 & 12A)	126	37289	1	Intake Valve (Std.)(Incl. 151 & 151A)
12	36775	1	Breather Tube	130	6021A	8	Screw, 5/16-18 x 1-7/16"
12A	36558	1	Breather Cover & Tube (Incl. 12B)	135	35395	1	Resistor Spark Plug (RJ19LM)
12B	36694	1	Breather Tube Elbow	150	31672	2	Valve Spring
14	28277	1	Washer	151	31673	2	Valve Spring Cap
15	30589	1	Governor Rod (Incl. 14)	151A	40017	1	Intake Valve Seal
16	34839A	1	Governor Lever	166	37694	1	Engine Shroud (Red)
17	31335	1	Governor Lever Clamp	*169	36783	1	Valve Cover Gasket
18	651018	1	Screw, T-15, 8-32 x 19/64"	172	36784	1	Valve Cover
19	36281	1	Extension Spring	174	30200	2	Screw, 10-24 x 9/16"
20	32600	1	Oil Seal	178	29752	2	Nut & Lock Washer, 1/4-28
30	37692	1	Crankshaft	182	6201	2	Screw, 1/4-28 x 7/8"
40	40027	1	Piston, Pin & Ring Set (Std.)	*184	26756	1	Carburetor To Intake Pipe Gasket
41	40042	1	Piston & Pin Ass'y. (Std.) (Incl. 43)	185	37466	1	Intake Pipe
42	40006	1	Ring Set (Std.)	186	32653	1	Governor Link
43	20381	2	Piston Pin Retaining Ring	189	650839	2	Screw, 1/4-20 x 3/8"
45	36777	1	Connecting Rod Ass'y. (Incl. 46)	191	36559A	1	S.E. Brake Bracket (Incl. 195)
46	32610A	2	Connecting Rod Bolt	195	610973	1	Terminal
48	27241	2	Valve Lifter	207	34336A	1	Throttle Link
50	37460	1	Camshaft (Exhaust MCR) (Inc. 104)	216	33086	1	R.P.M. Adjusting Lever
52	29914	1	Oil Pump Ass'y	223	650451	2	Screw, 1/4-20 x 1"
*69	37609	1	Mounting Flange Gasket	*224	36786	1	Intake Pipe Gasket
70	37608	1	Mounting Flange (Incl. 72-83,306,309A & 311A)	238	650932	2	Screw, 10-32 x 49/64"
72	37614	1	Oil Drain Plug	*239	34338	1	Air Cleaner Gasket
75	27897	1	Oil Seal	241	36919	1	Air Cleaner Collar
80	30574A	1	Governor Shaft	245	36905	1	Air Cleaner Filter
81	30590A	1	Washer	250	37122	1	Air Cleaner Cover
82	30591	1	Governor Gear Ass'y. (Incl. 81)	260	37696A	1	Blower Housing
83	30588A	1	Governor Spool	261	30200	2	Screw, 10-24 x 9/16"
86	650488	6	Screw, 1/4-20 x 1-1/4"	262	650831	2	Screw, 1/4-20 x 1/2"
89	611004	1	Flywheel Key	275	37498	1	Muffler
90	611112	1	Flywheel	277	650988	2	Screw, 1/4-20 x 2-9/32"
92	650815	1	Belleville Washer	285	35000A	1	Starter Cup
93	650816	1	Flywheel Nut	287	650926	2	Screw, 8-32 x 21/64"
100	34443C	1	Solid State Ignition	290	29774	1	Fuel Line
101	610118	1	Spark Plug Cover	292	26460	2	Fuel Line Clamp
103	651007	2	Screw, T-15, 10-24 x 15/16"	300	35586A	1	Fuel Tank (Incl. 292 & 301)
104	37480	1	Cam Bushing	301	36246	1	Fuel Cap Ass'y
110	37047	1	Ground Wire	305	35647	1	Oil Fill Tube
*119	36787	1	Cylinder Head Gasket	*306	37610	1	"O"-Ring
				307	35499	1	"O"-Ring
				309	650562	1	Screw, 10-32 x 1/2"
				309A	650783	1	Screw, 10-24 x 3/4"

Obtain Parts from Local Tecumseh Dealer. * Included in Repair Kit No. 632809



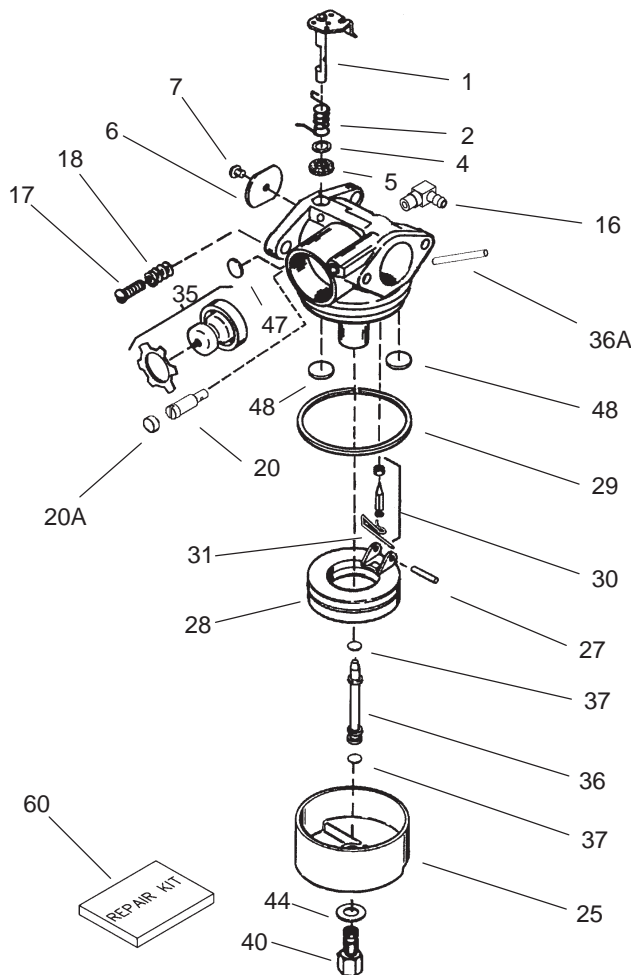
Sheet No.:
T-xxxx

Recoil Starter Assembly No. 590739 Tecumseh Model No. LEV120-362003A

Ref. No.	Part No.	Qty.	Description
0	590739	1	Rewind Starter
3	590740	1	Retainer
6	590616	2	Starter Dog
7	590617	2	Dog Spring
8	590618A	1	Pulley & Rewind Spring Ass'y
11	590638A	1	Starter Housing Ass'y (40 degree grommet)
12	590535	1	Starter Rope (Length 98" x 9/64" dia.)
13	590701	1	Starter Handle
14	590760	1	Spring Clip

Ref. No.	Part No.	Qty.	Description

Obtain Parts from Local Tecumseh Dealer



Sheet No.:
T-xxxx

Carburetor Assembly No. 640303 Tecumseh Model No. LEV120-362003A

Ref. No.	Part No.	Qty.	Description
0	640303	1	Carburetor (Incl. 184 of Engine Parts List)
1	631615	1	Throttle Shaft & Lever Assembly
2	631767	1	Throttle Return Spring
*4	631184	1	Dust Seal Washer
*5	631183	1	Dust Seal
6	640070	1	Throttle Shutter
*7	650506	1	Shutter Screw
16	631807	1	Fuel Fitting
17	651025	1	Throttle Crack Screw/Idle Speed Screw
18	630766	1	Tension Spring
20	640018	1	Idle Restrictor Screw
* 20A	640200	1	Idle Restrictor Screw Cap
25	631867	1	Float Bowl
*27	631024	1	Float Shaft
28	632802	1	Float (Plastic)
*29	631028	1	Float Bowl O-Ring
*30	632807	1	Inlet Needle, Seat, & Clip (Incl. 31)

Ref. No.	Part No.	Qty.	Description
*31	631022	1	Spring Clip
35	640259	1	Primer Bulb (Red)/Retainer Ring
36	640019	1	Main Nozzle Tube
36A	632766	1	Bowl Vent Tube Extension
*37	632547	2	O-Ring, Main Nozzle Tube
40	640087	1	High Speed Bowl Nut
*44	27110A	1	Bowl Nut Washer
*47	630748	1	Welch Plug, Idle Mixture Well
*48	631027	2	Welch Plug, Atmospheric Vent
60	632809	1	Repair kit (Incl. Items Marked * in Notes)

Obtain Parts from Local Tecumseh Dealer. * Included in Repair Kit No. 632809

