



Count on it.

Parts Catalog

Reelmaster® 5510-D

Traction Unit

Model No. 03607—Serial No. 412693586 and Up



Ordering Replacement Parts

To order replacement parts, please supply the part number, the quantity, and the description of each part desired.

Understanding Reference Numbers

Each identified part in an illustration has a reference number. The reference number for a part also appears in the parts list, along with other information about the part.

This catalog uses two special reference number formats, one to indicate parts in a service assembly and another to indicate the quantity of a given part in an illustration.

Service Assembly Reference Numbers

Parts in service assemblies have reference numbers in the form a:b. The a represents the reference number of the entire service assembly and the b represents a sequential number unique to each part within the service assembly.

For example, a wheel assembly might be identified by reference number 6, the tire by 6:1, the valve by 6:2, and the wheel by 6:3. When you order the assembly identified by reference number 6, you receive all parts identified by reference numbers 6:1, 6:2, and 6:3. However, you may also order any part individually. Reference numbers of this type appear in illustration and in parts lists.

Reference Numbers Indicating Quantity

In an illustration, if a reference number indicates more than one part, the reference number has the form nX y. The n represents the quantity of the part, the X is the multiplication symbol, and the y represents the reference number.

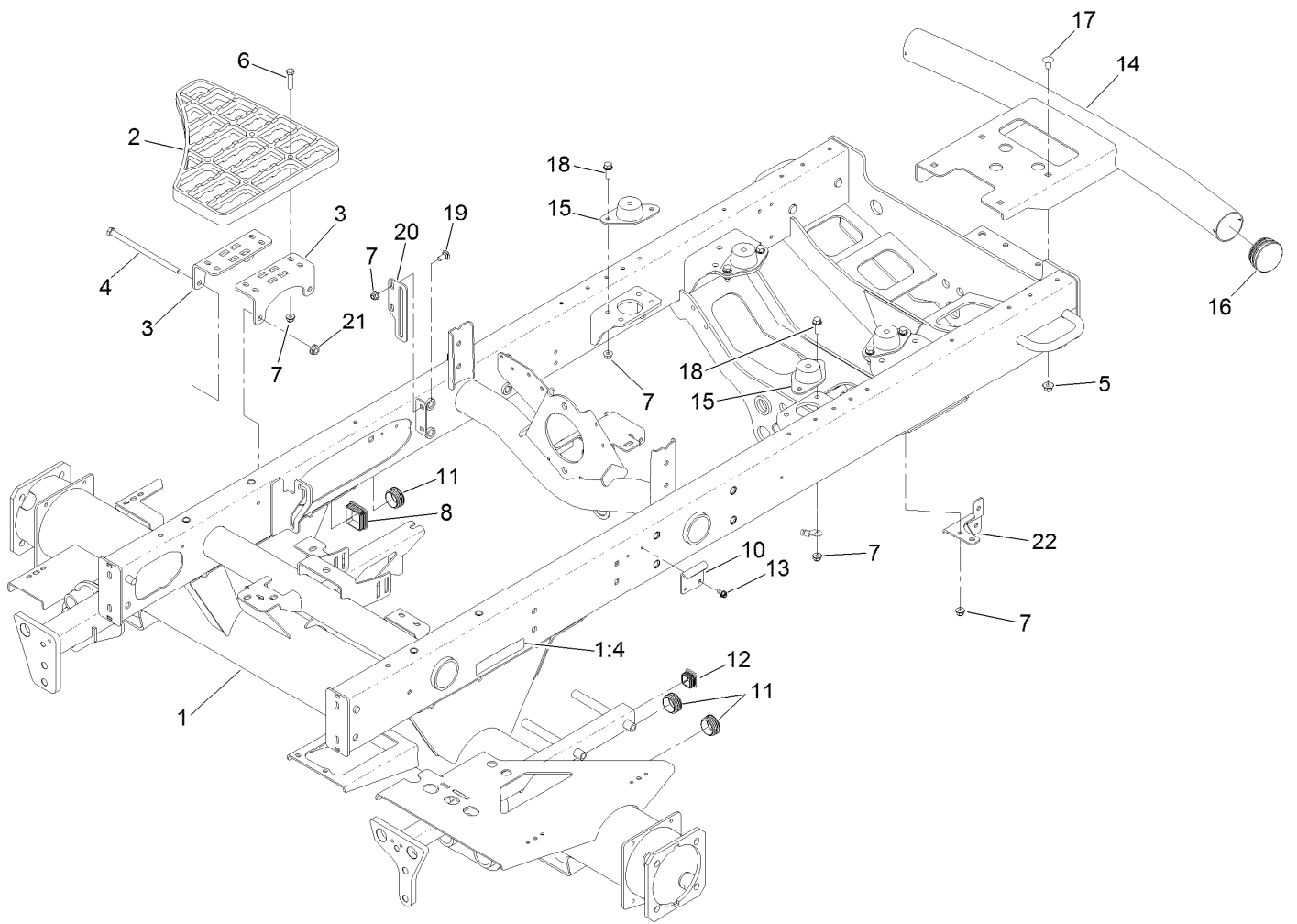
For example, in an illustration, the reference number 2X 37 means that two of the parts identified by reference number 37 are indicated.

Contents

Frame Assembly	5
Operator Platform and Front Shroud Assembly	6
Pedal Assembly	7
Steering Assembly	9
Steering Tilt Column Assembly No. 106-3622	10
Steering Valve Assembly No. 106-3621	11
Control Arm Assembly	12
Joystick Bracket Assembly No. 120-5280	14
Front Axle Assembly	15
LH Brake Assembly No. 139-5952	16
RH Brake Assembly No. 139-5951	17
Rear Axle Assembly	18
Tie Rod Assembly No. 139-6029	19
Hub and Spindle Assembly No. 117-8961	20
No. 1, 4 and 5 Lift Arm Assembly	21
No. 2 and 3 Lift Arm Assembly	23
Seat and Control Arm Wiring Harness Assembly	24
Main Wiring Harness Assembly	25
Engine Electrical Assembly	26
Gear Pump Assembly	27
Gear Pump Assembly No. 107-4547	28
Seat Base Assembly	29
Hood Assembly	30
Cooling System Assembly	31
Hydraulic Tank Assembly	32
Fuel System Assembly	33
Seat Mounting Assembly	34
Seat Assembly No. 139-2700	35
Mechanical Seat Suspension Assembly No. 145-5295	36
Traction Pump Mounting Assembly	37
Hydraulic Pump Assembly No. 119-6972	38
Traction Hydraulic Assembly	40
Hydraulic Motor Assembly No. 133-2935 (CCW)	41
Hydraulic Motor Assembly No. 133-2934 (CW)	42
No. 1, 4 and 5 Reel Drive Hydraulic Assembly	43
Hydraulic Motor Assembly No. 120-6272	45
Manifold Assembly No. 121-5628	46
No. 2 and 3 Reel Drive Hydraulic Assembly	47
No. 1, 4 and 5 Lift Arm Hydraulic Assembly	49
Hydraulic Cylinder Assembly No. 138-6999	50
Hydraulic Cylinder Assembly No. 119-6987	51
Hydraulic Manifold Block Assembly No. 105-7577	52
Rear Lift Hydraulic Assembly	53
Steering Hydraulic Assembly	54
Hydraulic Cylinder Assembly No. 110-9035	56
Engine, Air Cleaner and Drive Shaft Assembly	57
Driveshaft Kit Assembly No. 133-2996	59
Air Cleaner Assembly No. 106-5277	60
Cylinder Block Assembly	62
Gear Housing Assembly	64
Flywheel Housing and Oil Sump Assembly	66
Cylinder Head Assembly	68
Suction Manifold Assembly	70
Exhaust Manifold Assembly	72

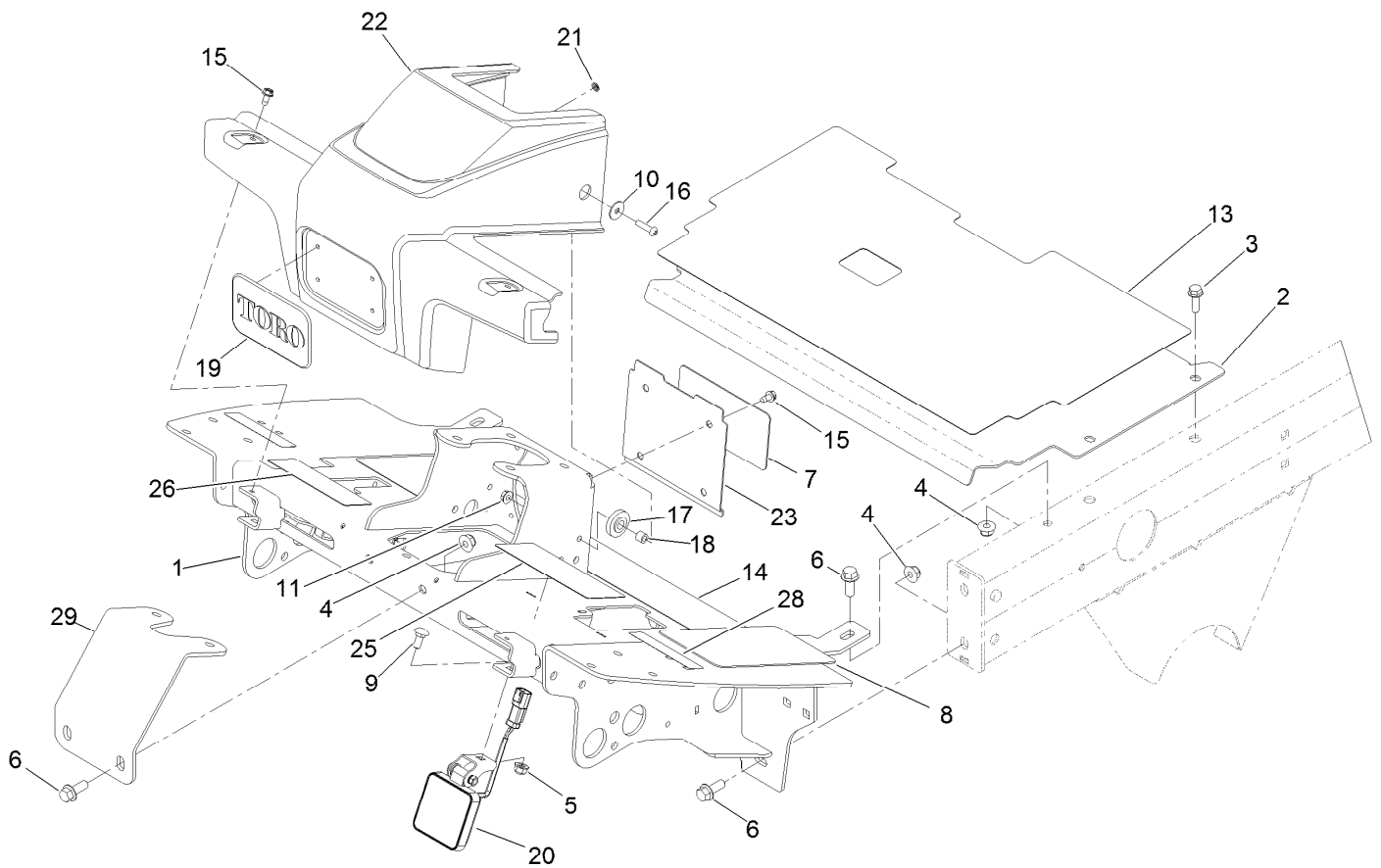
Contents (continued)

Diesel Particulate Filter Assembly	74
Camshaft and Driving Gear Assembly	76
Crankshaft and Piston Assembly	78
Lubrication and Oil System Assembly	80
Cooling System Assembly	82
Fuel System Assembly	84
Fuel Injection Valve Assembly	86
Fuel Line Assembly	88
Starting Motor Assembly	90
Generator Assembly	92
Electrical Assembly	94
Gasket Set	96
Attachments and Accessories	98



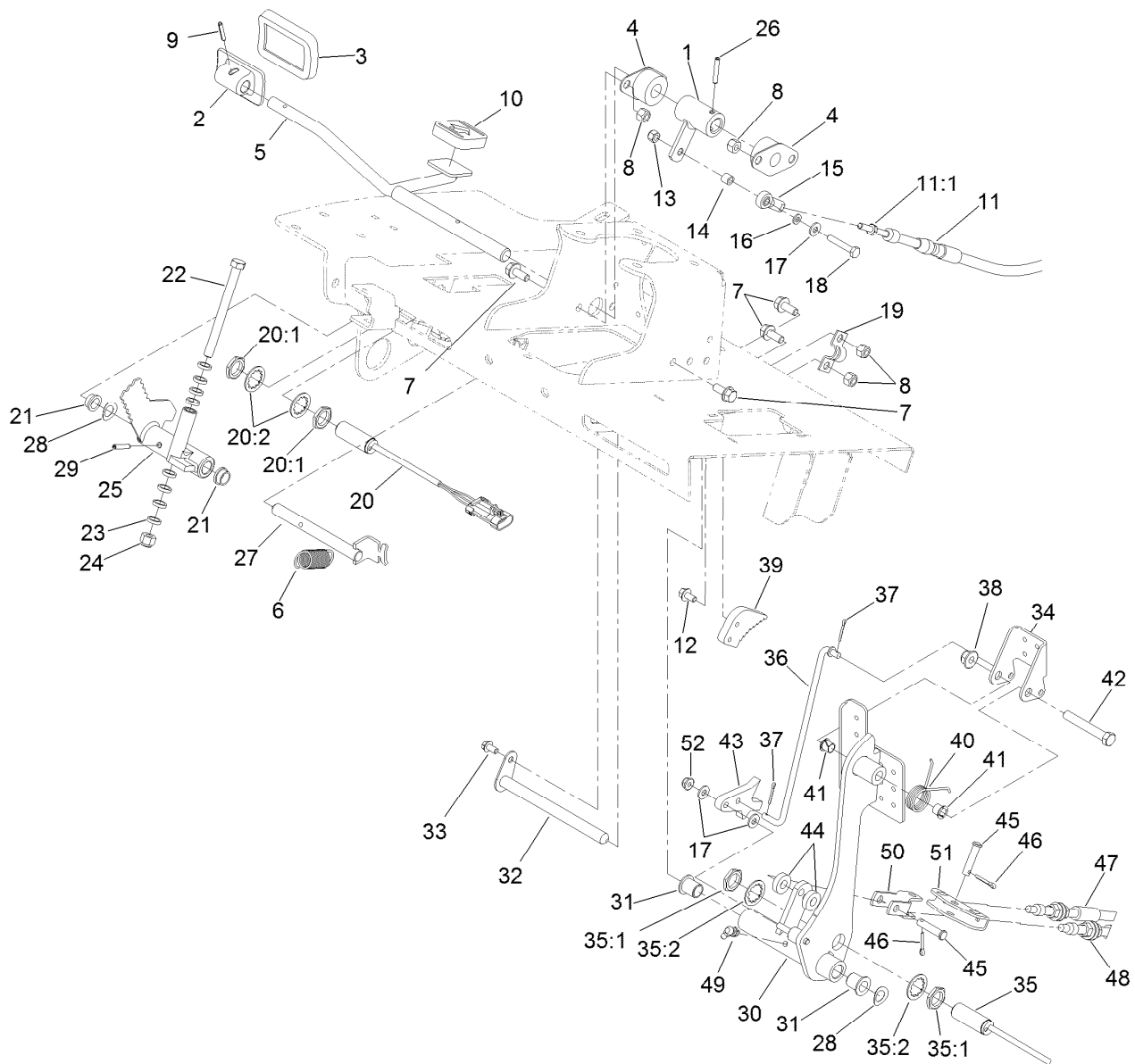
Frame Assembly

<i>Ref.</i>	<i>Part Number</i>	<i>Qty.</i>	<i>Description</i>	<i>Ref.</i>	<i>Part Number</i>	<i>Qty.</i>	<i>Description</i>
1	120-3803	1	Frame ASM	12	110-9013	1	Caplug
1:4	93-6689	2	Decal-No Riders	13	32104-17	2	Screw-HWH
2	110-9041	2	Step-Aluminum	14	110-8951-03	1	Bumper
3	127-2697-01	4	Bracket-Step	15	120-6274	4	Mount-Engine
4	323-36	4	Screw-HH	16	2410-42	2	Cap-End
5	104-8301	4	Nut-HF, NI	17	3231-21	4	Screw-CARR
6	322-17	8	Screw-HH	18	3234-29	8	Screw-HHF
7	104-8300	18	Nut-HF, NI	19	3230-1	2	Bolt-CARR
8	95-9495	1	Cap	20	108-7584-01	1	Plate-Guide, Rod
10	110-8972	1	Hook-Latch	21	32128-21	4	Nut-HF Lock
11	110-9012	3	Caplug	22	133-2985	1	Brkt-Tube Clamp



Operator Platform and Front Shroud Assembly

<i>Ref.</i>	<i>Part Number</i>	<i>Qty.</i>	<i>Description</i>	<i>Ref.</i>	<i>Part Number</i>	<i>Qty.</i>	<i>Description</i>
1	127-2310-01	1	Platform ASM	16	106-9518	2	Screw-PRH
2	115-8064-01	1	Plate-Floor	17	240-11	2	Bushing-Flange
3	3234-17	4	Screw-HHF	18	66-8010	2	Spacer
4	104-8301	6	Nut-HF, NI	19	93-6028	1	Plate-Logo
5	104-8300	2	Nut-HF, NI	20	140-6990	2	Light-Work, LED
6	3234-11	6	Screw-HHF	21	138-6996	4	Nut-Push
7	110-0986	1	Decal-Plate, Cover	22	110-0944	1	Shroud-Platform
8	125-2910	2	Tread-Floor, Side	23	110-0947-03	1	Plate-Cover
9	3230-1	2	Bolt-CARR	25	133-2930	1	Decal-Danger
10	87-6630	2	Washer-Plain	25	133-2931	1	Decal-Danger (CE)
11	32128-33	2	Nut-HF	26	110-8921	1	Decal-Speed, Mow
13	125-2911	1	Tread-Panel, Service	28	133-8062	1	Decal-Arrestor, Spark
14	125-2909	1	Tread-Floorboard	29	110-8876-0P	1	Brace-Column
15	32104-17	6	Screw-HWH				



Pedal Assembly

Ref.	Part Number	Qty.	Description	Ref.	Part Number	Qty.	Description
1	117-5199	1	Hub-Pedal, Traction	20:1	117-3207	2	Nut-Hex
2	117-9507	1	Pedal-Accelerator	20:2	117-3208	2	Washer-Lock, Internal Tooth
3	74-9100	1	Pad-Pedal, Forward	21	256-156	2	Bushing-Flange
4	256-236	2	Bearing-Mount, Flange	22	323-17	1	Screw-HH
5	106-3840	1	Pedal-Traction	23	104662	8	Spacer
6	92-7305	1	Spring-Extension	24	3296-39	1	Nut-Lock, NI
7	3234-5	6	Screw-HHF	25	117-8066	1	Mow-Stop
8	3296-29	6	Nut-Lock, NI	26	32121-6	1	Pin-Roll, Slotted
9	32121-45	1	Pin-Spring	27	106-3731	1	Rod-Pivot
10	74-9110	1	Pad-Pedal, Reverse	28	110-8982	2	Washer-Spring
11	127-2721	1	Cable-Traction	29	32121-16	1	Pin-Spring
11:1	3220-1	2	Nut-Jam	30	115-0120-03	1	Pedal-Brake
12	3234-13	2	Screw-HHF	31	125-8775	2	Bushing-Flange
13	3296-42	1	Nut-Lock, NI	32	104-7179	1	Pivot-Pedal
14	66-8010	1	Spacer	33	32144-4	1	Screw-HWH
15	2411-41	1	Rod End-Ball Joint	34	99-7963-03	1	Pedal-Park
16	33093-00	1	Washer-Flat	35	115-5300	1	Proximity Switch ASM
17	3256-22	3	Washer-Flat	35:1	117-3207	2	Nut-Hex
18	321-9	1	Screw-HH	35:2	117-3208	2	Washer-Lock, Internal Tooth
19	93-2092	1	Clamp-Cable	36	115-0129	1	Rod-Pawl, Brake
20	115-0282	1	Proximity Sensor ASM	37	3272-6	2	Pin-Cotter



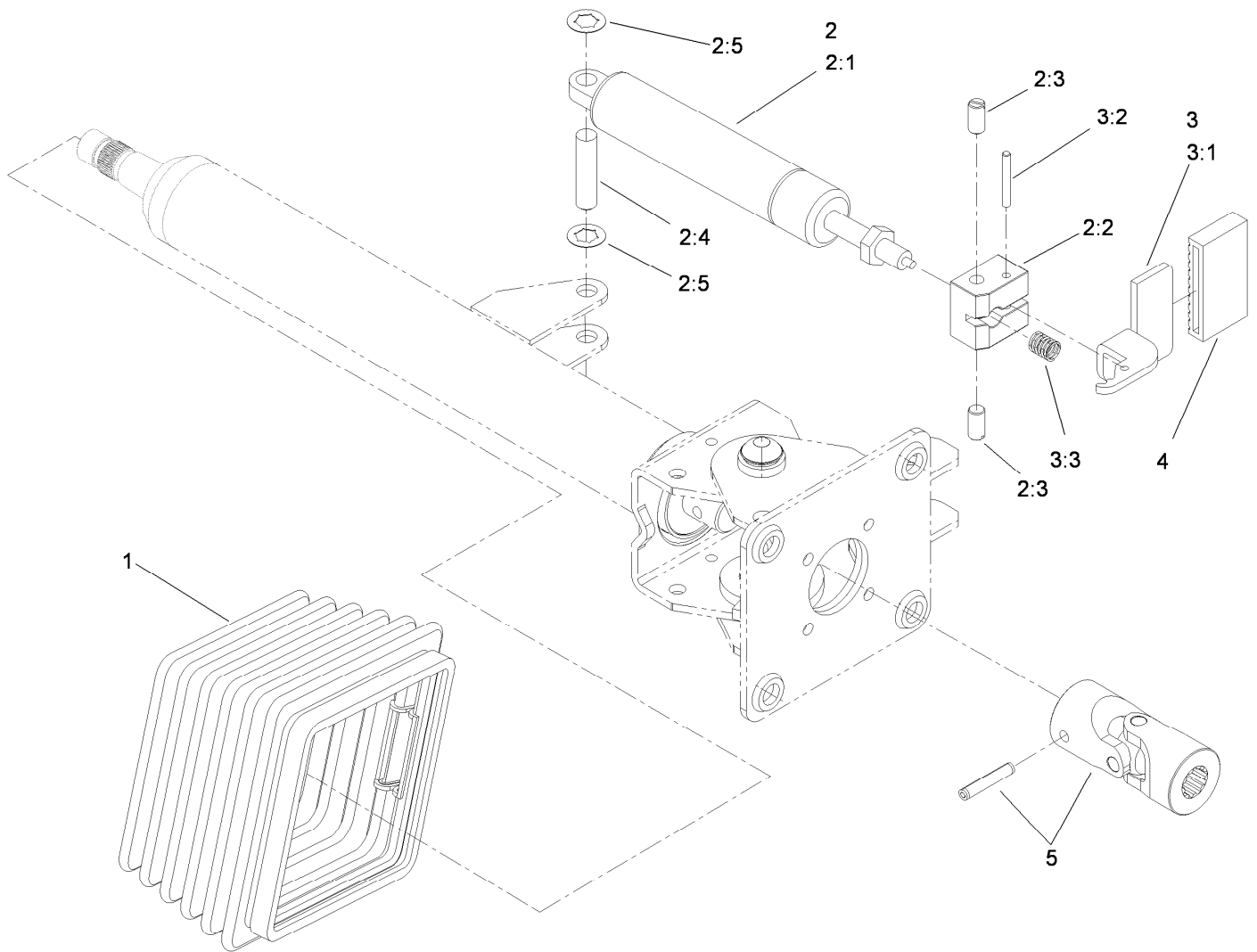
Pedal Assembly (continued)

<i>Ref.</i>	<i>Part Number</i>	<i>Qty.</i>	<i>Description</i>	<i>Ref.</i>	<i>Part Number</i>	<i>Qty.</i>	<i>Description</i>
38	104-8301	1	Nut-HF, NI	46	3272-10	2	Pin-Cotter
39	99-7214	1	Pawl-Brake	47	117-0106	1	Cable-Brake, RH
40	99-7140	1	Spring-Torsion	48	117-0107	1	Cable-Brake, LH
41	52-2891	2	Bushing-Flanged, Nylon	49	302-60	1	Fitting-Grease
42	323-12	1	Screw-HH	50	115-8060	1	Clevis-Double
43	117-0238	1	Detent	51	115-8059	1	Yoke-Cable
44	5-0652	2	Spacer	52	104-7201	1	Nut-HF, NI
45	283-14	2	Pin-Clevis				



Steering Assembly

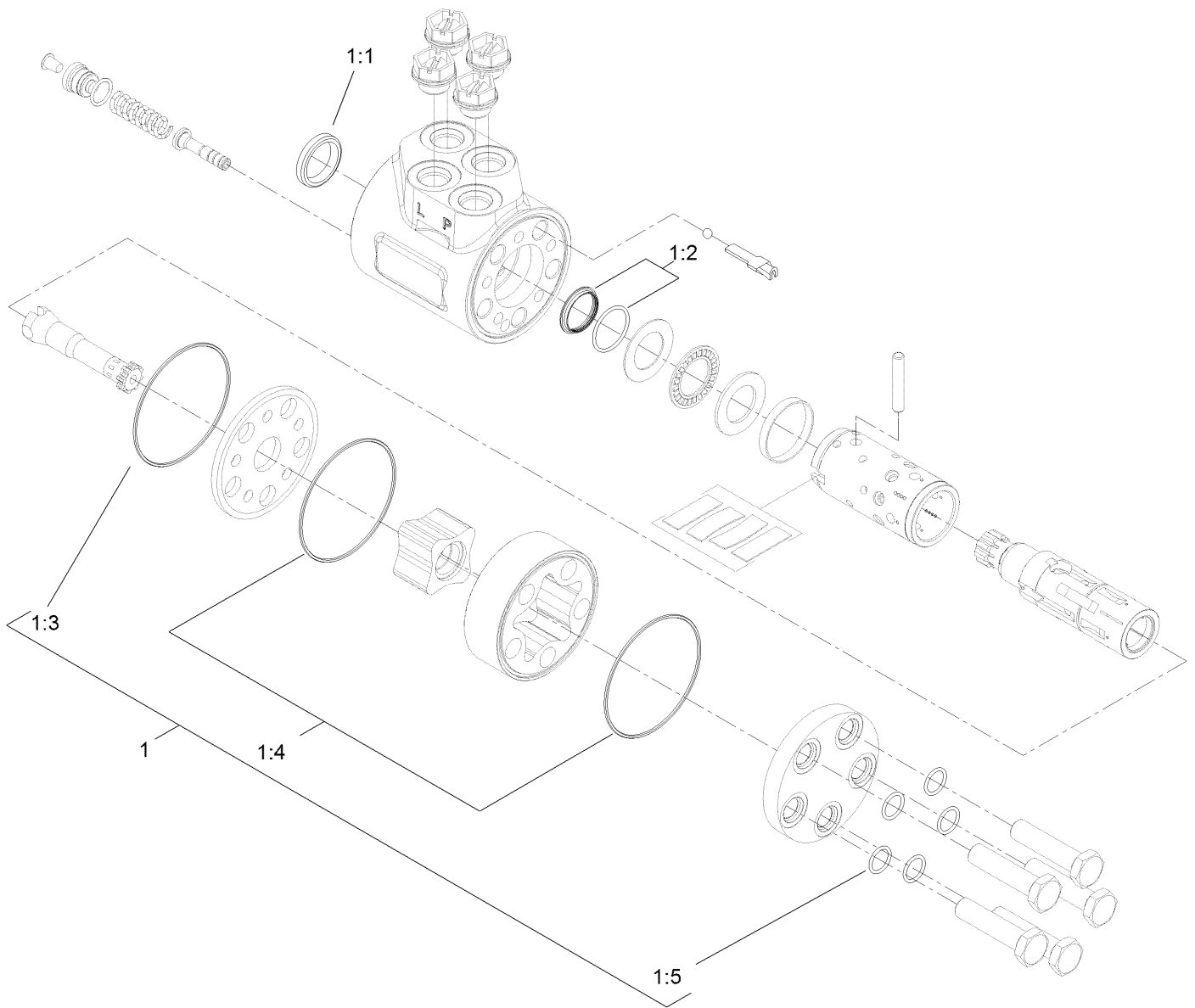
Ref.	Part Number	Qty.	Description
1	106-3622	1	Steering Tilt Column ASM
2	340-2	4	Fitting-Straight
2:1	237-22	1	O-Ring
2:2	237-42	1	O-Ring
3	98-1471	1	Wheel-Steering
3:1	98-1468	1	Cover-Wheel, Steering
4	98-1459	1	Decal
5	105-2409	4	Screw-HSH
6	106-3621	1	Steering Valve ASM
7	3274-1	4	Screw-HSH
8	3296-33	1	Nut-Lock, NI
9	3256-27	1	Washer-Flat
10	104-8301	4	Nut-HF, NI



Steering Tilt Column Assembly No. 106-3622

Ref.	Part Number	Qty.	Description
1	110-6462	1	Bellows-Rubber
2	110-6463	1	Cylinder Service Kit
2:1		1	Cylinder-Gas ●
2:2		1	Block-Pedal ●
2:3		2	Bolt ●
2:4		1	Pin ●
2:5		2	Washer-Lock ●
3	110-6464	1	Pedal Service Kit
3:1		1	Pedal ●
3:2		1	Pin ●
3:3		1	Spring ●
4	110-6465	1	Cover-Pedal
5	120-6256	1	Universal Joint Kit

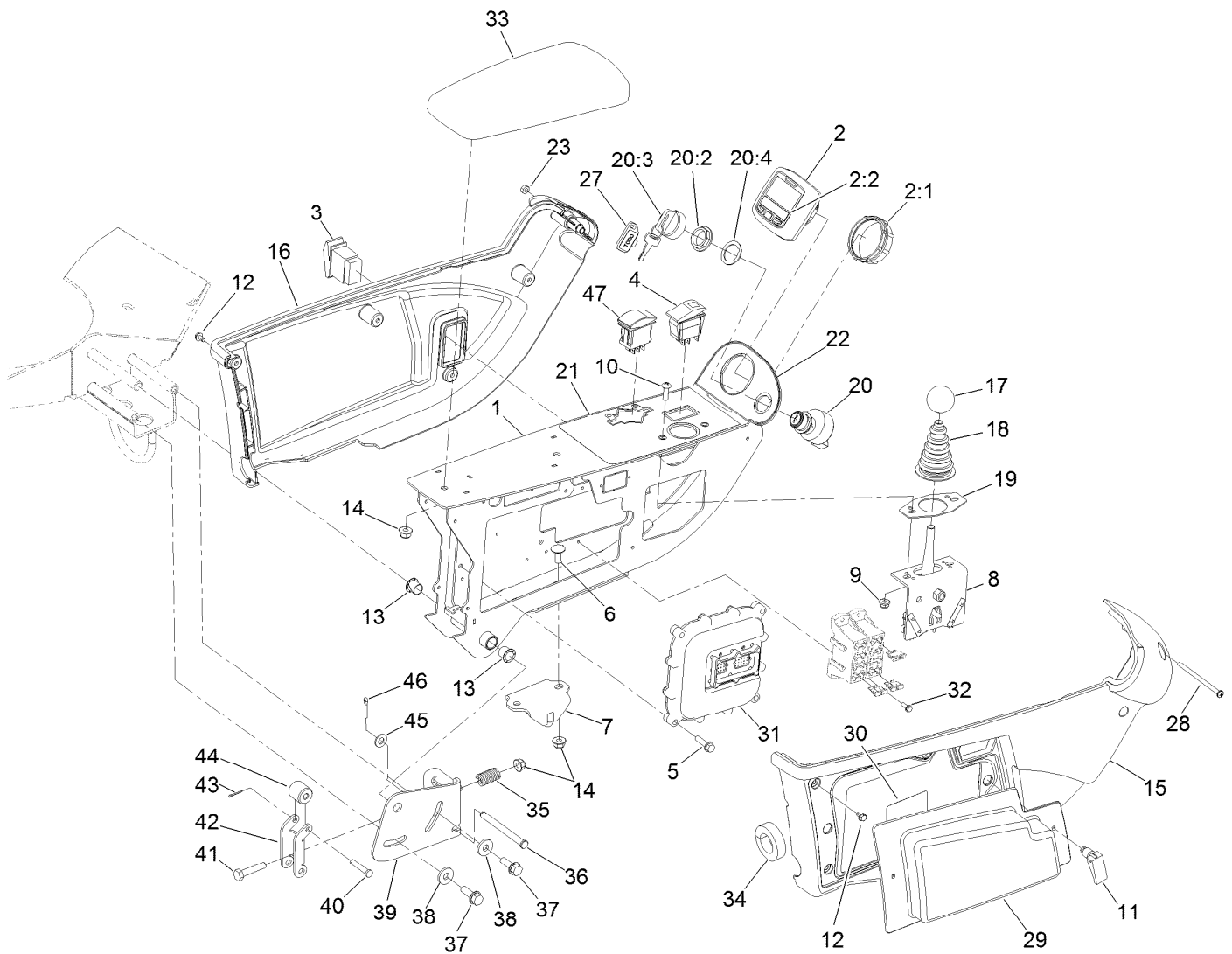
● Not serviced separately



Steering Valve Assembly No. 106-3621

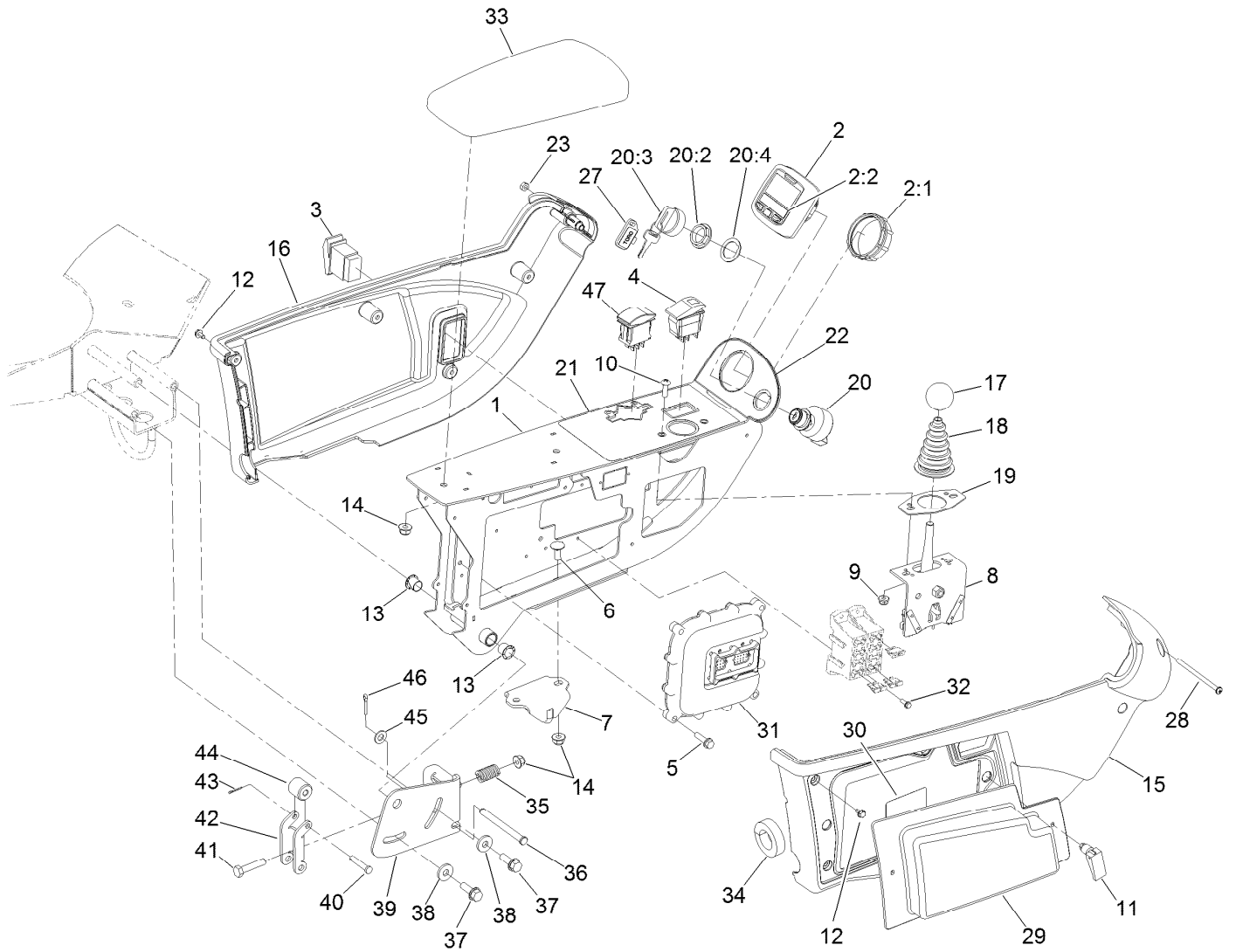
<i>Ref.</i>	<i>Part Number</i>	<i>Qty.</i>	<i>Description</i>
1	106-6716	1	Seal Kit
1:1		1	Ring-Seal, Dust ●
1:2		1	Seal-Shaft ●
1:3		1	O-Ring ●
1:4		2	O-Ring ●
1:5		5	O-Ring ●

● Not serviced separately



Control Arm Assembly

Ref.	Part Number	Qty.	Description	Ref.	Part Number	Qty.	Description
1	120-3801-03	1	Frame-Arm, Control	19	112-9181	1	Plate-Boot
2	120-6310	1	LCD Display ASM	20	106-5269	1	Ignition Switch ASM
2:1	120-4630	1	Nut-Display	20:2	108-8660	1	Nut-Mounting
2:2	120-6311	1	Decal-Display	20:3	106-5270	1	Ignition Key Set
3	95-8999	1	Switch-Rocker, On-None-On	20:4	108-8659	1	Washer-Backup
4	105-4232	1	Switch	21	125-8754	1	Decal-Panel, Control
5	32144-86	4	Screw-HWHTF	22	120-4158	1	Decal-Console, Upper
6	3230-23	2	Bolt-CARR	23	3296-2	1	Nut-Lock, NI
7	125-1938	1	Latch	27	99-8970	1	Key-Latch, Hood
8	120-5280	1	Bracket-Joystick	28	3250-22	1	Screw-PPH
9	104-7201	2	Nut-HF, NI	29	114-0446	1	Panel-Access
10	3258-166	2	Screw-PRH	30	145-5261	1	Decal-Fuse
11	74-5950	2	Latch-Swell	31	114-3321	1	Controller-Tec
12	104-2065	10	Screw-HWH	32	32144-87	4	Screw-HWHTF
13	256-257	2	Bushing-Nyliner	33	108-7602	1	Rest-Arm
14	104-8300	5	Nut-HF, NI	34	110-8912	1	Seal-Foam
15	108-7605	1	Cover-RH	35	110-5331	1	Spring-Compression
16	108-7604	1	Cover-LH	36	283-88	1	Pin-Clevis
17	233-42	1	Knob	37	32144-41	2	Screw-Taptite
18	93-5961	1	Boot-Lever	38	4-2390	2	Washer-Flat
				39	110-5313-03	1	Bracket-Retainer



Control Arm Assembly (continued)

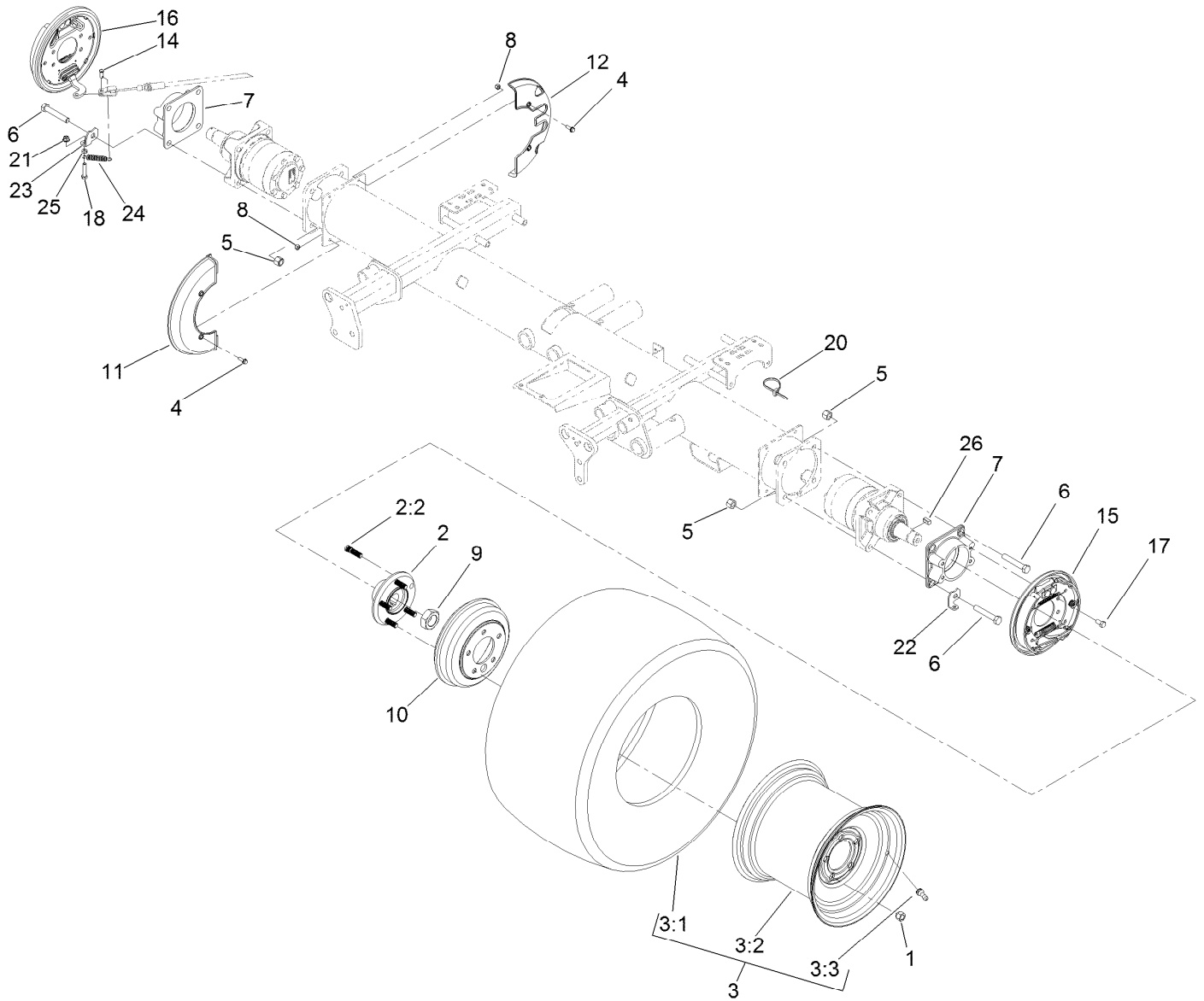
<i>Ref.</i>	<i>Part Number</i>	<i>Qty.</i>	<i>Description</i>
40	283-73	1	Pin-Clevis
41	322-7	1	Screw-HH
42	110-5314	1	Latch
43	3272-1	1	Pin-Cotter
44	110-8856	1	Spacer

<i>Ref.</i>	<i>Part Number</i>	<i>Qty.</i>	<i>Description</i>
45	3256-23	1	Washer-Plain
46	3272-11	1	Pin-Cotter
47	100-1535	1	Switch-Rocker, (On)-Off-(On)



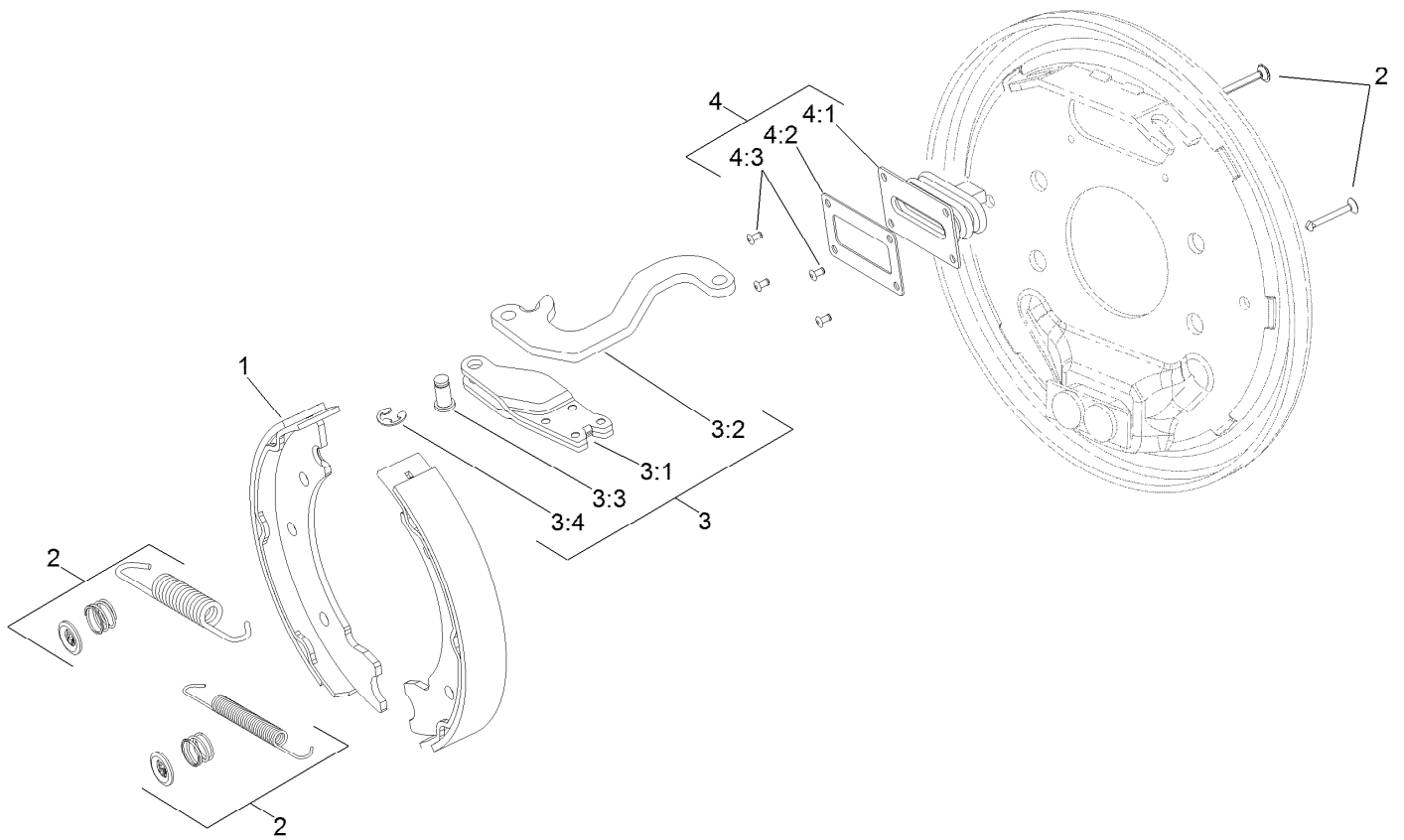
Joystick Bracket Assembly No. 120-5280

<i>Ref.</i>	<i>Part Number</i>	<i>Qty.</i>	<i>Description</i>
1	115-5357-03	1	Bracket-Joystick
2	106-4192	1	Spacer
3	93-5547	2	Bushing-Nylon
4	119-3540	1	Hub-Pivot, Joystick
5	105-8289	1	Spring-Torsion
6	106-4193	2	Washer-Finger, Spring
7	322-9	1	Screw-HH
8	3296-29	1	Nut-Lock, NI
9	3290-354	2	Nut-Speed
10	108-6496	2	Switch (W/Boot)
11	95-3003	4	Screw-PPHTF
12	3256-3	1	Washer-Flat



Front Axle Assembly

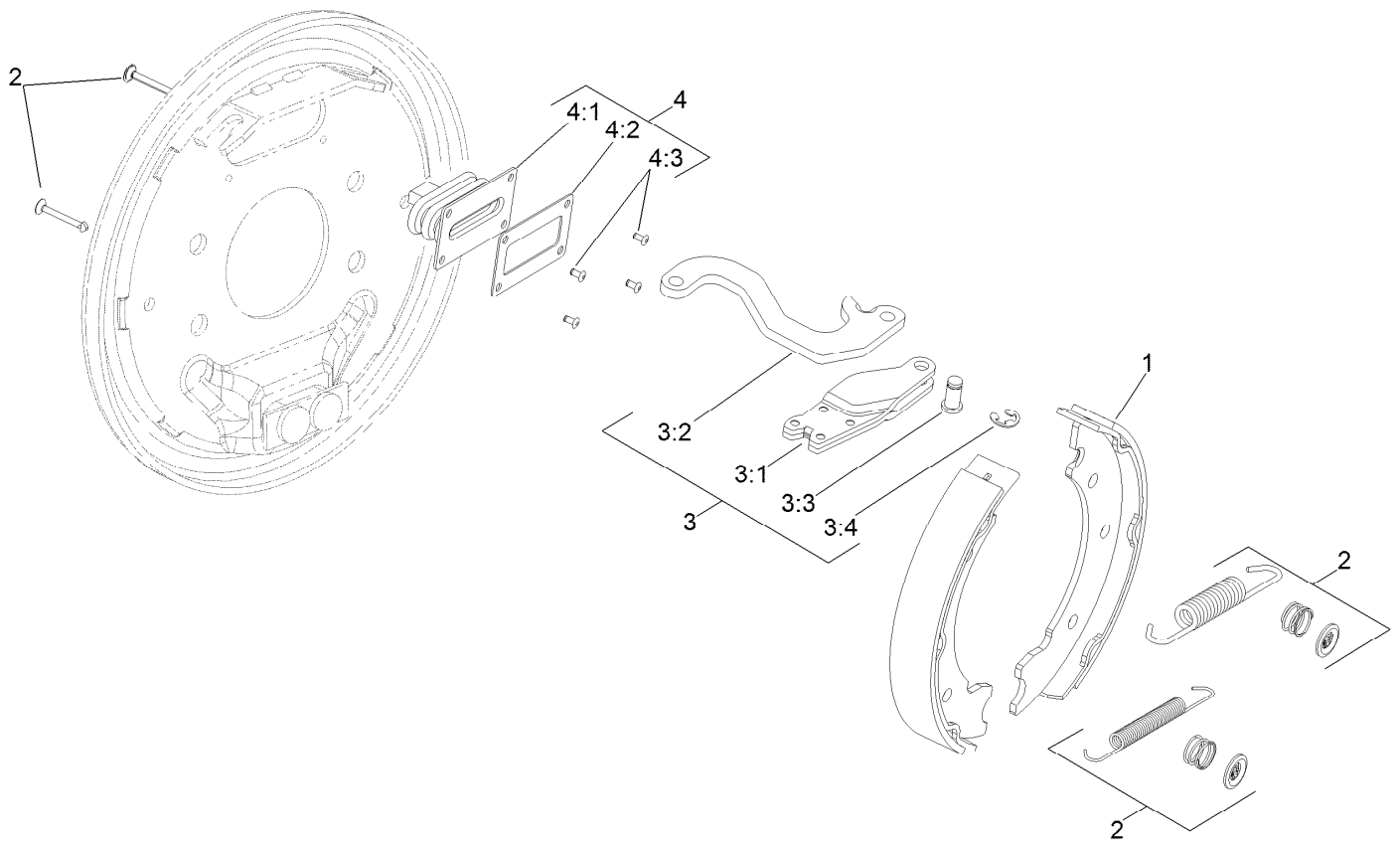
Ref.	Part Number	Qty.	Description	Ref.	Part Number	Qty.	Description
1	242-50	10	Nut-Lug	11	127-2741	2	Shield-Wheel, Front
2	121-5631	2	Hub ASM	12	127-2742	2	Shield-Wheel, Rear
2:2	114-3918	5	Stud-Wheel	14	283-62	2	Pin-Clevis
3	139-6005	2	Tire ASM	15	139-5952	1	LH Brake ASM
3:1	133-2724	1	Tire	16	139-5951	1	RH Brake ASM
3:2	139-6006	1	Wheel	17	323-4	8	Screw-HH
3:3	232-27	1	Stem-Valve	18	322-7	2	Screw-HH
4	115-5103	8	Screw-HHF	20	3290-378	2	Tie-Cable
5	3296-23	8	Nut-Lock, NI	21	104-8300	2	Nut-HF, NI
6	325-12	8	Screw-HH	22	120-6267	1	Clip-Spring, LH
7	120-6253-03	2	Adapter-Brake	23	120-6266	1	Clip-Spring, RH
8	3296-42	8	Nut-Lock, NI	24	87-4020	2	Spring-Extension
9	117-3290	2	Nut-Hex	25	3218-2	2	Nut-Hex Jam
10	114-8864	2	Drum-Brake	26	117-5198	2	Key-Square



LH Brake Assembly No. 139-5952

Ref.	Part Number	Qty.	Description
1	139-5950	1	Brake Shoe Kit
2	108-6983	1	Brake Hardware Kit
3	110-8910	1	LH Actuator Kit
3:1		1	Housing ●
3:2		1	Lever-LH ●
3:3		1	Pin-Pivot ●
3:4		1	E-Ring ●
4	110-8885	1	Dust Boot Kit
4:1		1	Boot ●
4:2		1	Plate-Back Up ●
4:3		2	Rivet ●

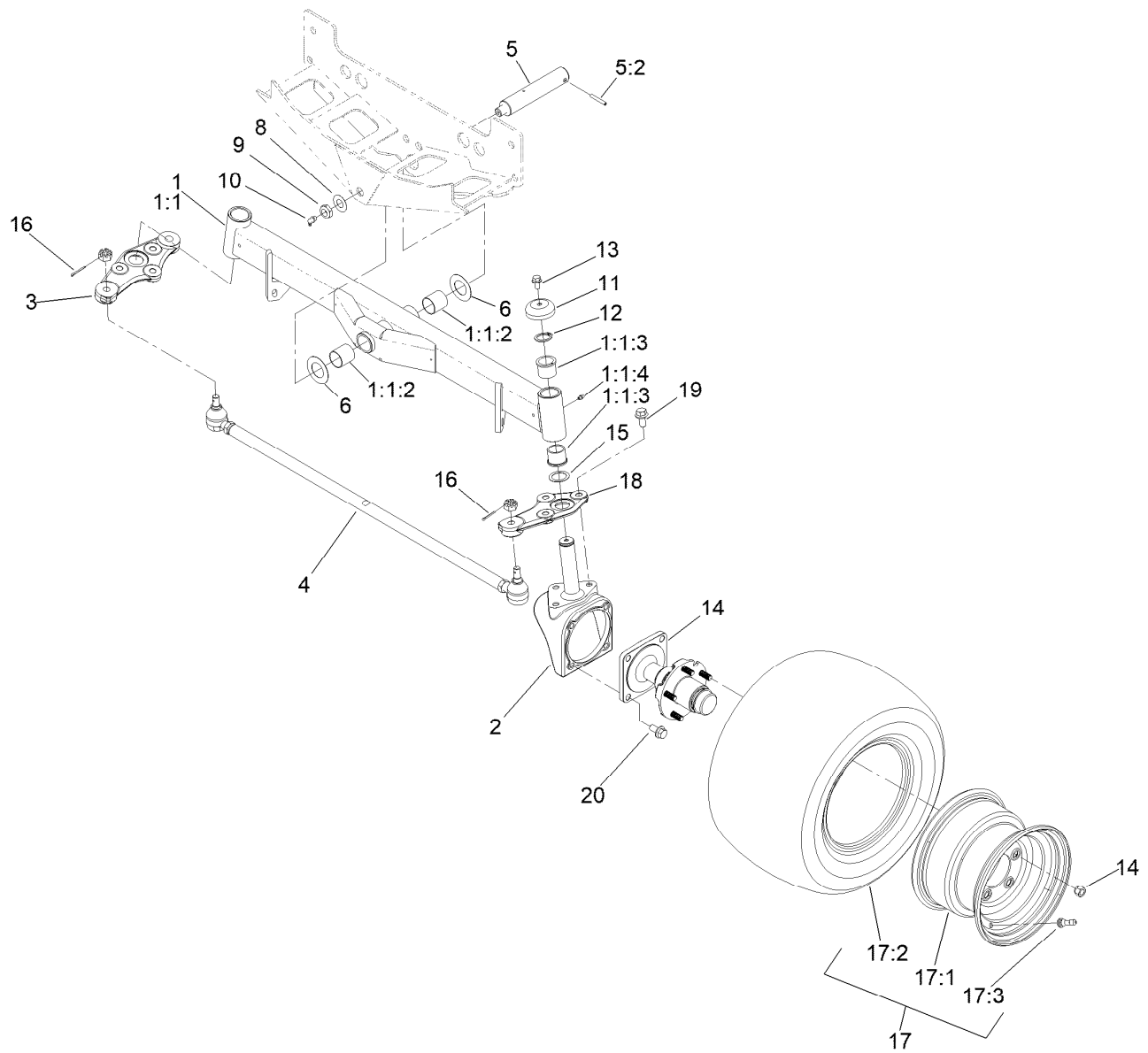
● Not serviced separately



RH Brake Assembly No. 139-5951

Ref.	Part Number	Qty.	Description
1	139-5950	1	Brake Shoe Kit
2	108-6983	1	Brake Hardware Kit
3	110-8884	1	RH Actuator Kit
3:1		1	Housing ●
3:2		1	Lever-RH ●
3:3		1	Pin-Pivot ●
3:4		1	E-Ring ●
4	110-8885	1	Dust Boot Kit
4:1		1	Boot ●
4:2		1	Plate-Back Up ●
4:3		2	Rivet ●

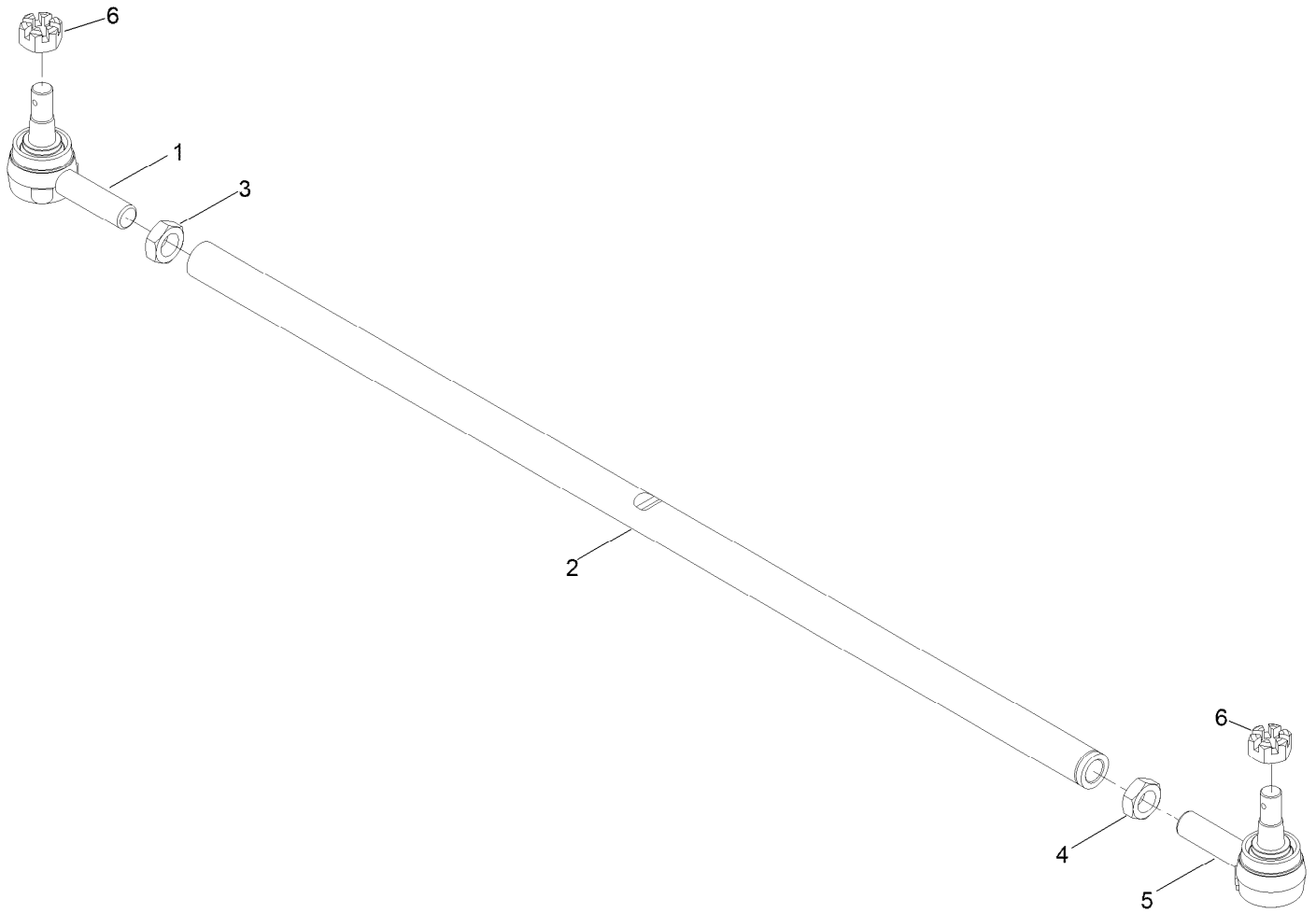
● Not serviced separately



Rear Axle Assembly

Ref.	Part Number	Qty.	Description	Ref.	Part Number	Qty.	Description
1	107-4546-03	1	Axle ASM	11	69-8890	2	Cap-Spindle
1:1		1	Axle ●	12	32151-77	2	Ring-Retaining, External
1:1:2	99-6964	2	Bushing-Axle	13	3234-1	2	Screw-HHF
1:1:3	104-0015	4	Bushing-Flange	14	117-8961	2	Hub And Spindle ASM
1:1:4	302-5	2	Fitting-Grease	15	76-2980	2	Washer-Thrust
2	107-4517-03	2	Housing-Motor	16	3272-12	2	Pin-Cotter
3	140-3142	1	Link-Drag, RH	17	117-0281	2	Rim And Tire ASM
4	139-6029	1	Tie Rod ASM	17:1	117-0280	1	Rim
5	140-6101	1	Pin ASM-Axle Pivot	17:2	117-5125	1	Tire
5:2	32121-32	1	Pin-Roll	17:3	232-27	1	Stem-Valve
6	99-8432	2	Washer-Thrust	18	140-3144	1	Link-Drag, LH
8	71-4540	1	Washer-Thrust	19	3234-38	6	Screw-HHF
9	3296-15	1	Nut-Lock, NI	20	3234-6	8	Screw-HHF
10	302-33	1	Fitting-Grease				

● Not serviced separately



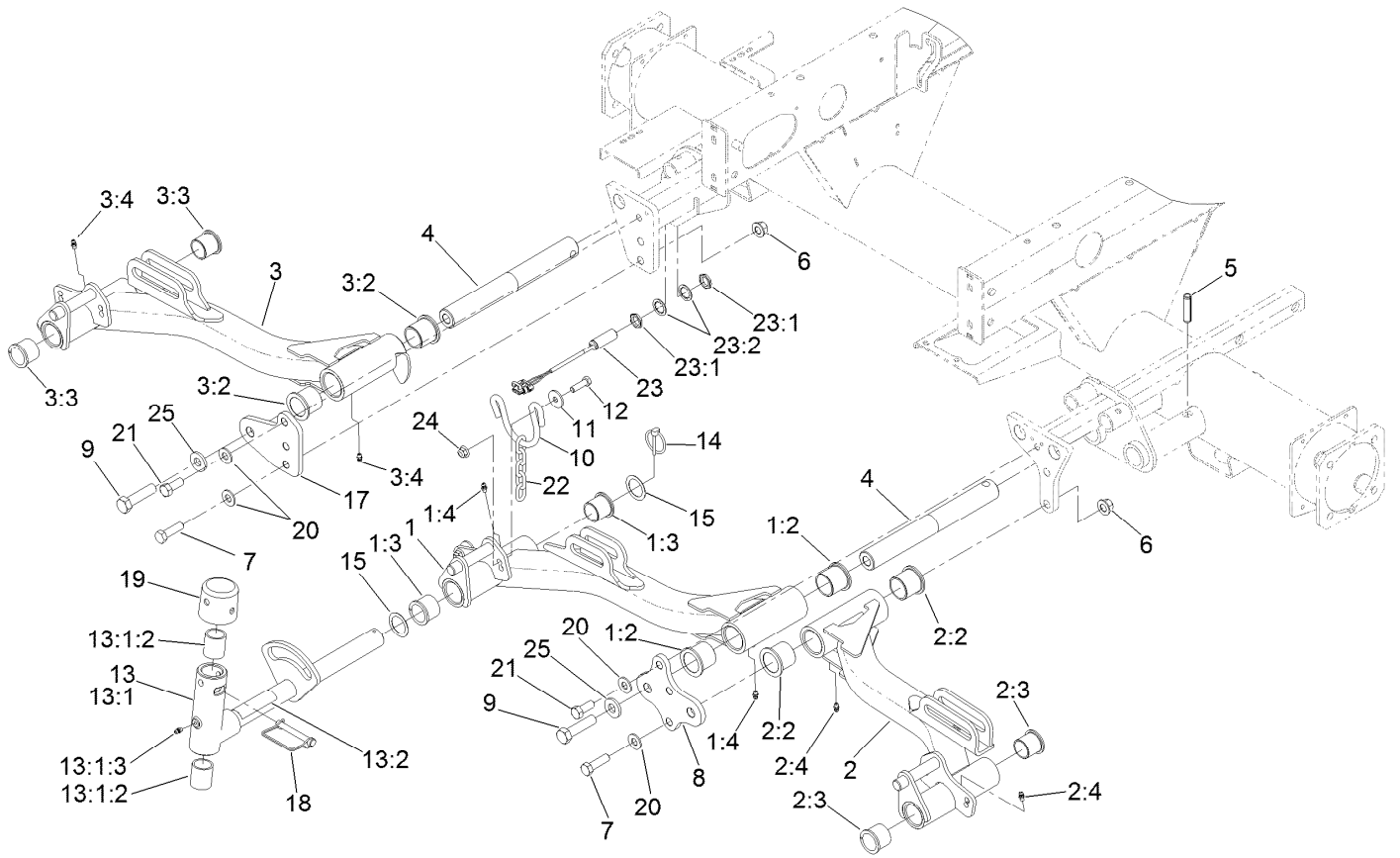
Tie Rod Assembly No. 139-6029

<i>Ref.</i>	<i>Part Number</i>	<i>Qty.</i>	<i>Description</i>
1	144-3901	1	Tie Rod End
2	139-6030	1	Rod-Tie
3	84-5300	1	Nut-Jam
4	110-5337	1	Nut-Jam
5	144-3902	1	Tie Rod End
6	140-6135	2	Nut-Hex, Slotted



Hub and Spindle Assembly No. 117-8961

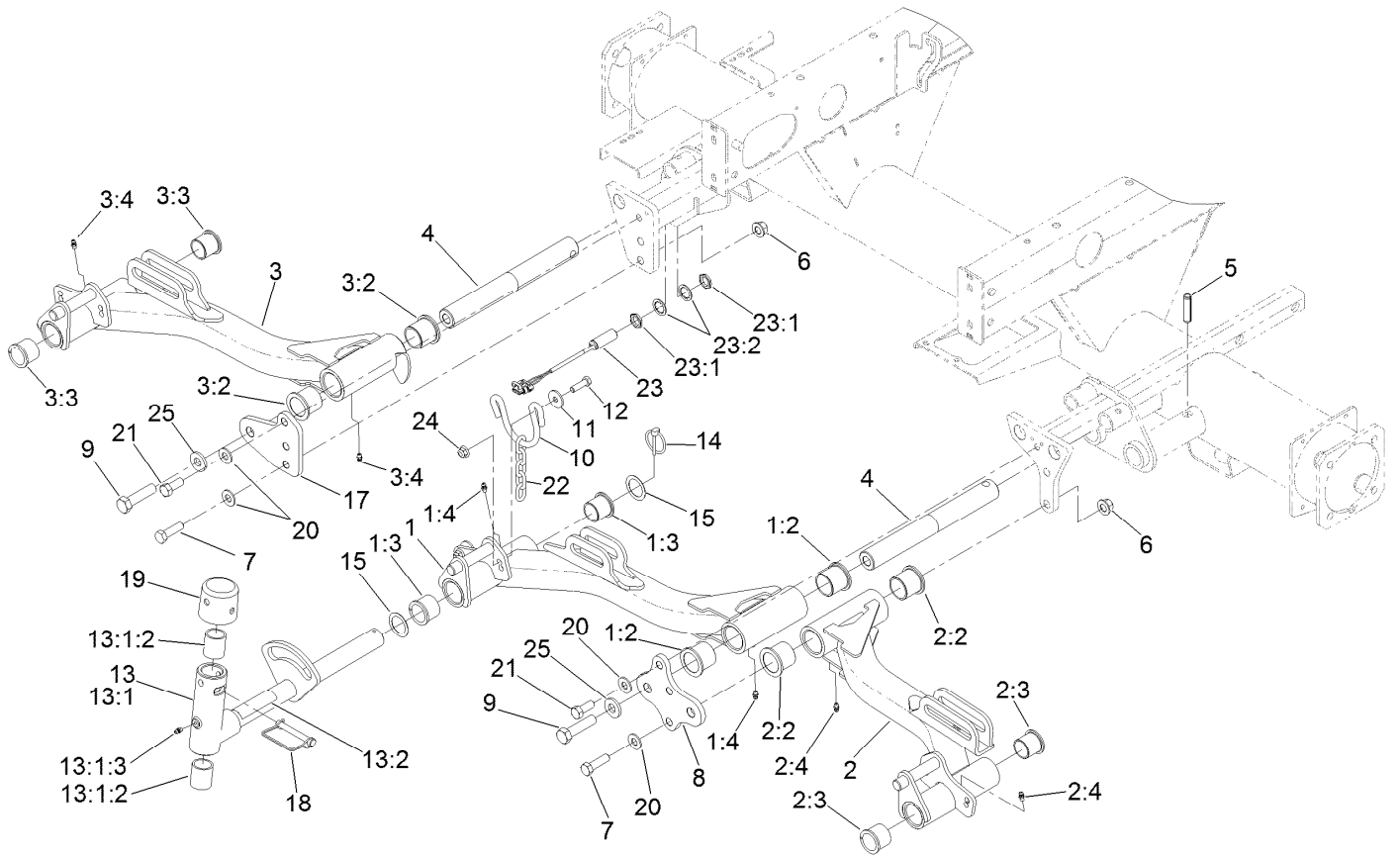
<i>Ref.</i>	<i>Part Number</i>	<i>Qty.</i>	<i>Description</i>
1	117-8958	1	Spindle
2	117-8963	1	Hub ASM
2:2	254-72	2	Bearing-Cup, Tapered
2:3	114-3918	5	Stud-Wheel
3	254-94	2	Bearing-Cone, Tapered
4	112-1690	1	Seal-Oil
5	242-50	5	Nut-Lug
6	241-119	1	Cap-Dust
7	117-8259	1	Washer-Spindle
8	117-8260	1	Nut
9	93-0307	1	Nut-Lock, Retainer
10	3272-18	1	Pin-Cotter



No. 1, 4 and 5 Lift Arm Assembly

Ref.	Part Number	Qty.	Description	Ref.	Part Number	Qty.	Description
1	133-2911	1	Lift Arm ASM #1	10	110-0922	3	Hoop-Chain
1:2	69-6470	2	Bushing-Caster	11	63-8410	6	Washer
1:3	104-0015	2	Bushing-Flange	12	323-7	6	Screw-HH
1:4	302-5	2	Fitting-Grease	13	138-1248	3	Pivot Yoke ASM
2	133-2914	1	Lift Arm ASM #4	13:1		1	Yoke-Pivot ●
2:2	69-6470	2	Bushing-Caster	13:1:2	121-3187	2	Bushing
2:3	104-0015	2	Bushing-Flange	13:1:3	302-5	1	Fitting-Grease
2:4	302-5	2	Fitting-Grease	13:2	110-9642	1	Decal-Warning
3	133-2915	1	Lift Arm ASM #5	14	92-1298	3	Pin-Lynch
3:2	69-6470	2	Bushing-Caster	15	76-2980	6	Washer-Thrust
3:3	104-0015	2	Bushing-Flange	17	117-5153-01	1	Plate-Bridge 5
3:4	302-5	2	Fitting-Grease	18	107-7400	3	Pin-Lynch
4	117-0208	3	Shaft-Pivot, Liftarm	19	107-4027	3	Cap
5	32121-122	3	Pin-Roll	20	87-7270	6	Washer-Thrust
6	99-5107	4	Nut-Lock	21	325-5	2	Screw-HH
7	325-7	4	Screw-HH	22	84-2451	3	Chain-Straight, 5 Link
8	117-5154-01	1	Plate-Bridge 1 And 4	23	115-5300	1	Proximity Switch ASM
9	327-7	3	Screw-HH	23:1	117-3207	2	Nut-Hex

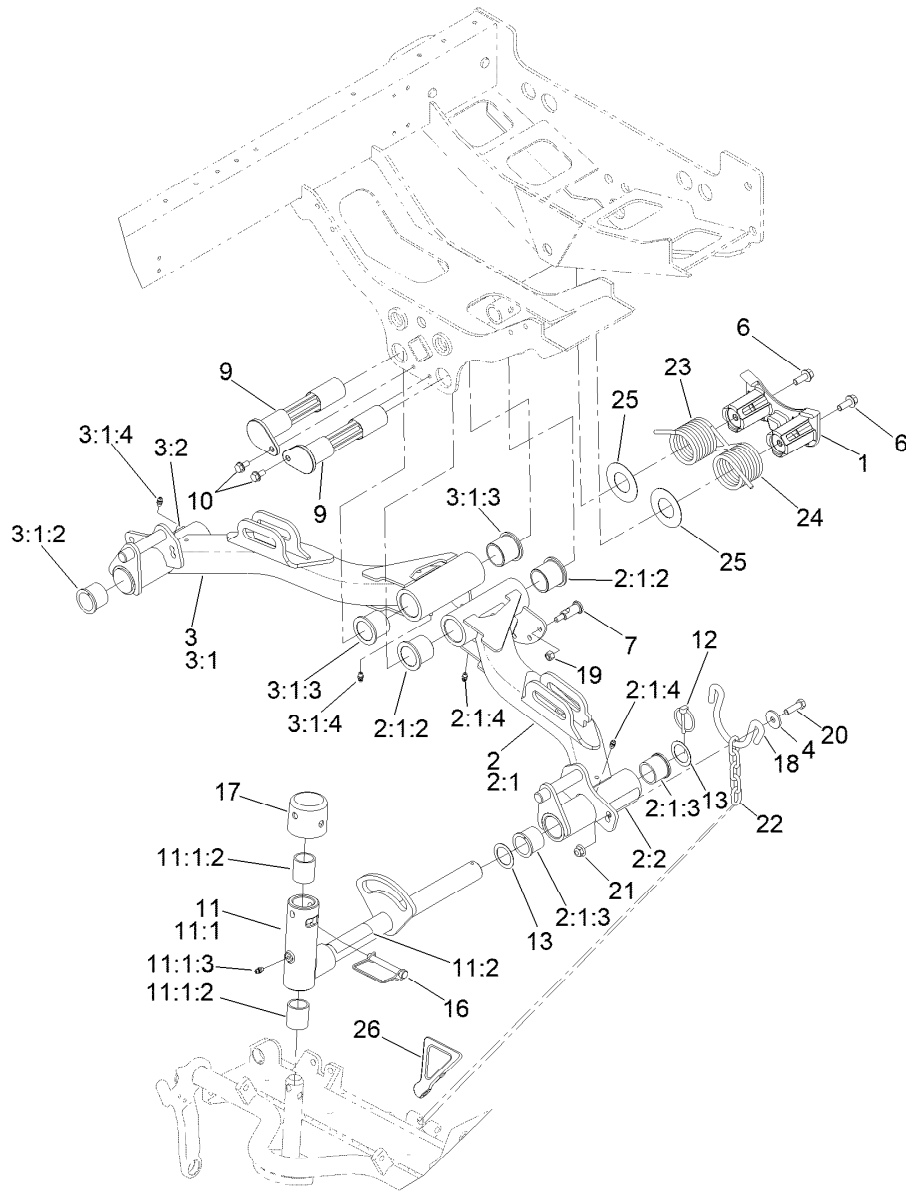
● Not serviced separately



No. 1, 4 and 5 Lift Arm Assembly (continued)

<i>Ref.</i>	<i>Part Number</i>	<i>Qty.</i>	<i>Description</i>	<i>Ref.</i>	<i>Part Number</i>	<i>Qty.</i>	<i>Description</i>
23:2	117-3208	2	Washer-Lock, Internal Tooth	24	104-8301	6	Nut-HF, NI
				25	99-7667	3	Washer-Flat

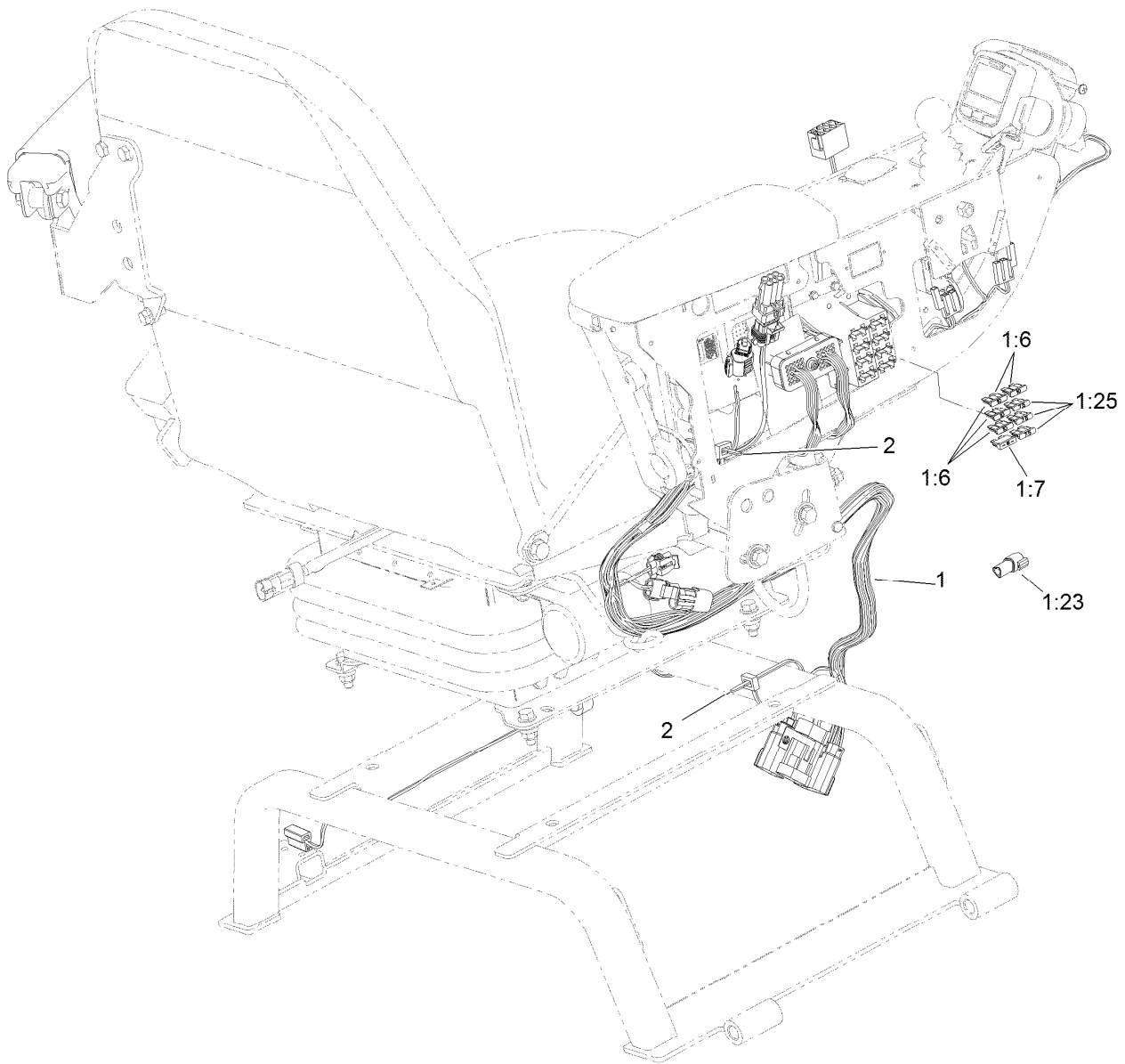
● Not serviced separately



No. 2 and 3 Lift Arm Assembly

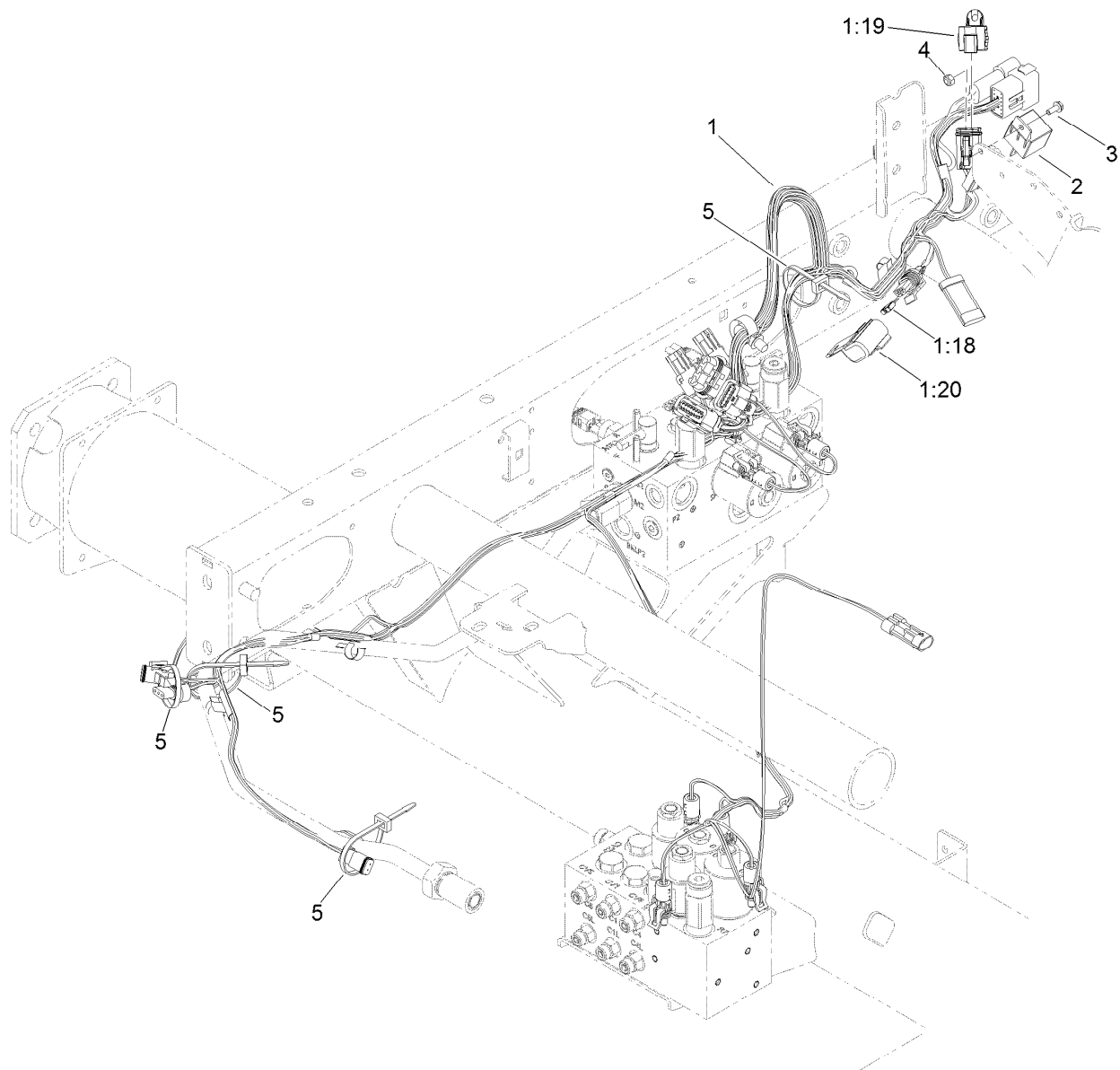
Ref.	Part Number	Qty.	Description	Ref.	Part Number	Qty.	Description
1	125-2018	1	Housing	11	138-1248	2	Pivot Yoke ASM
2	136-8002	1	Lift Arm #2	11:1		1	Yoke-Pivot ●
2:1		1	Lift Arm ASM #2 ●	11:1:2	121-3187	2	Bushing
2:1:2	69-6470	2	Bushing-Caster	11:1:3	302-5	1	Fitting-Grease
2:1:3	104-0015	2	Bushing-Flange	11:2	110-9642	1	Decal-Warning
2:1:4	302-5	2	Fitting-Grease	12	92-1298	2	Pin-Lynch
2:2	93-6696	1	Decal-Warning	13	76-2980	4	Washer-Thrust
3	136-8003	1	Lift Arm #3	16	107-7400	2	Pin-Lynch
3:1		1	Lift Arm ASM #3 ●	17	107-4027	2	Cap
3:1:2	69-6470	2	Bushing-Caster	18	110-0922	2	Hoop-Chain
3:1:3	104-0015	2	Bushing-Flange	19	3296-29	6	Nut-Lock, NI
3:1:4	302-5	2	Fitting-Grease	20	323-7	4	Screw-HH
3:2	93-6696	1	Decal-Warning	21	104-8301	4	Nut-HF, NI
4	63-8410	4	Washer	22	84-2451	2	Chain-Straight, 5 Link
6	3234-11	2	Screw-HHF	23	99-5608-03	1	Spring-Torsion, RH
7	120-6283	6	Stud-Shouldered	24	99-5609-03	1	Spring-Torsion, LH
9	125-2037	2	Shaft	25	110-5345	2	Washer
10	32144-14	2	Screw-HWHTF	26	119-8010-03	1	Kickstand

● Not serviced separately



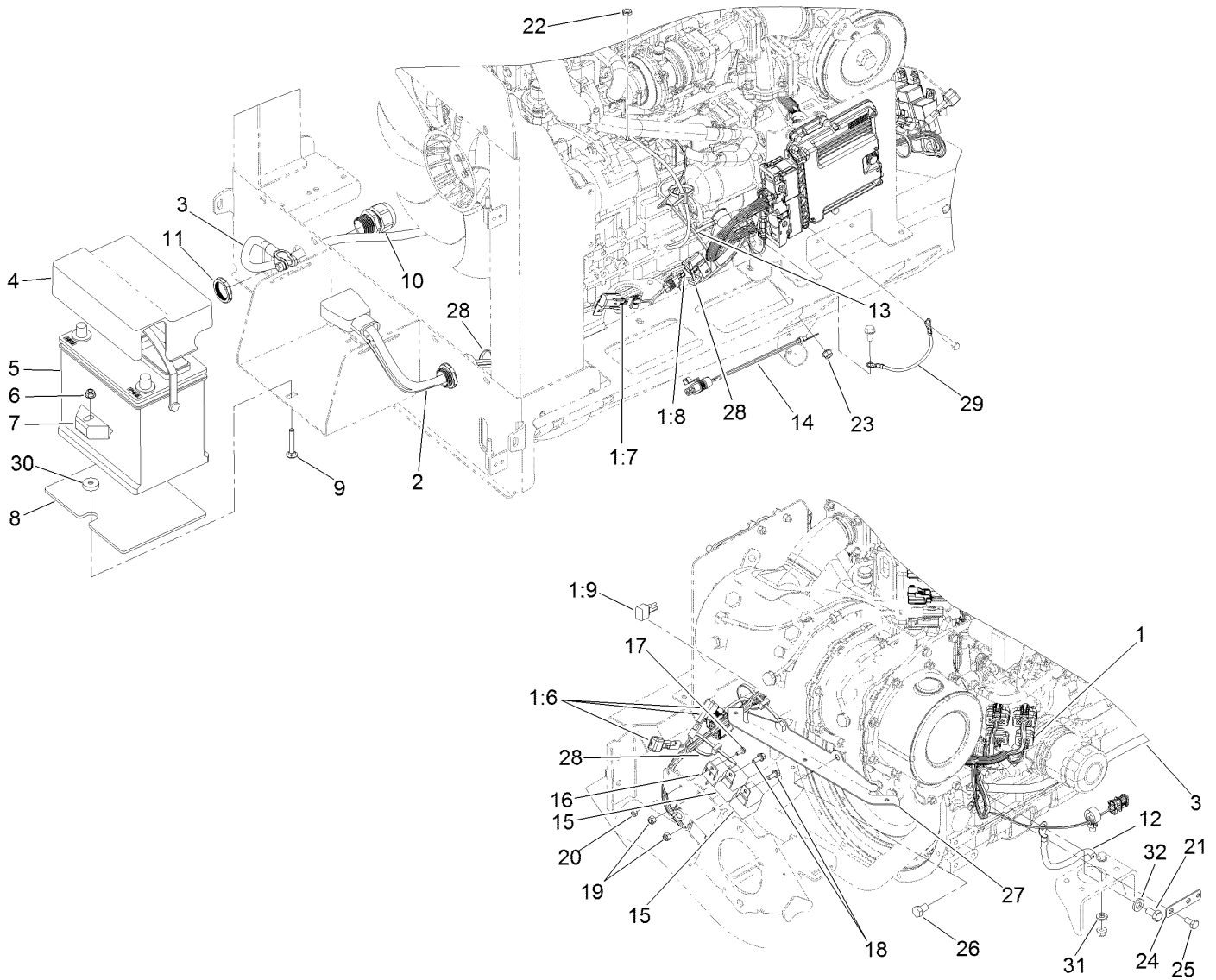
Seat and Control Arm Wiring Harness Assembly

<i>Ref.</i>	<i>Part Number</i>	<i>Qty.</i>	<i>Description</i>
1	115-8081	1	Harness-Wire, Seat
1:6	218-578	3	Fuse-Blade, 10 Amp
1:7	109355	1	Fuse-Blade, 15 Amp
1:23	32180-043	1	Resistor-120 Ohm
1:25	114241	3	Fuse-Blade, 7.5 Amp
2	3290-378	3	Tie-Cable



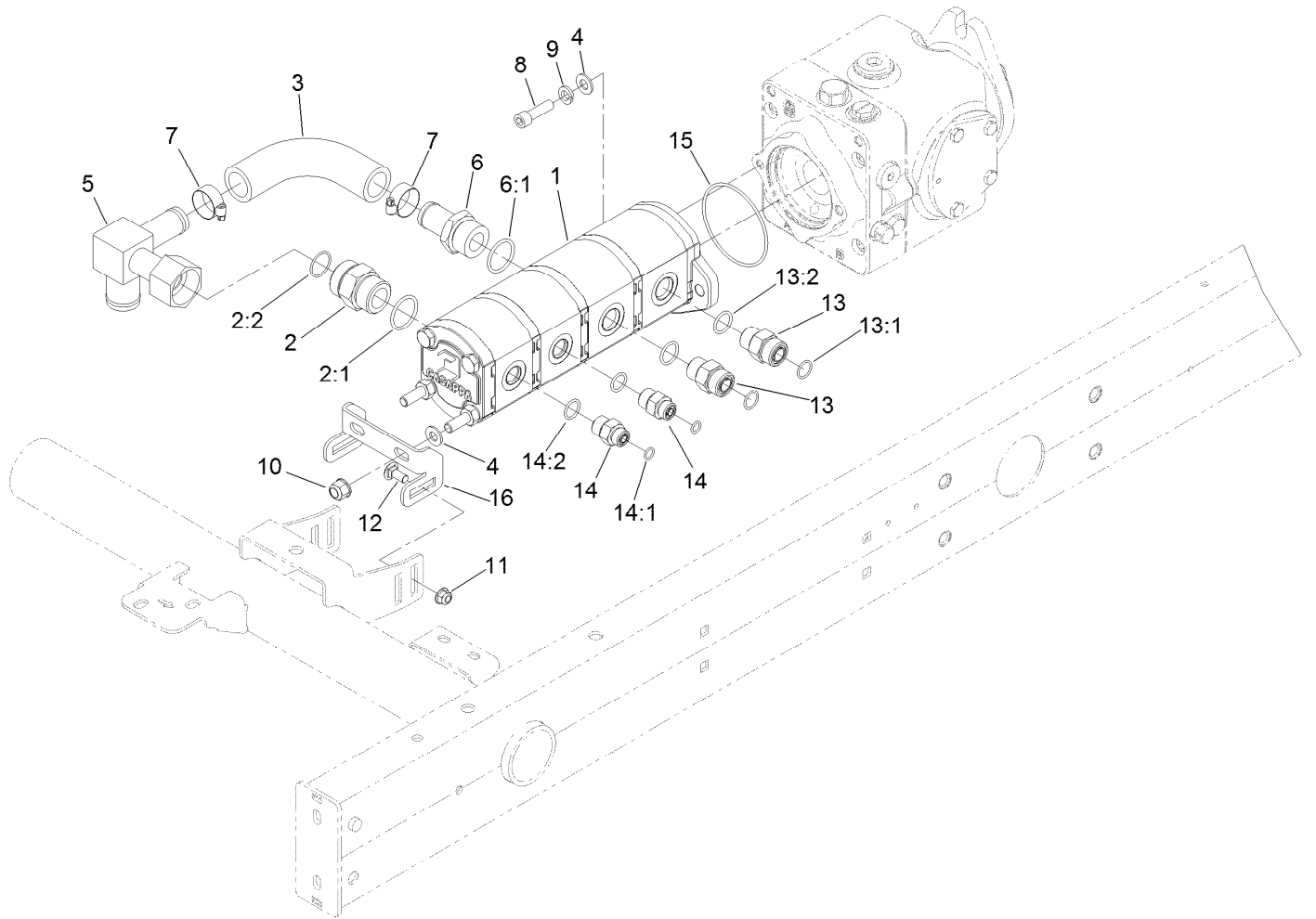
Main Wiring Harness Assembly

<i>Ref.</i>	<i>Part Number</i>	<i>Qty.</i>	<i>Description</i>
1	122-1726	1	Harness-Wire, Rm5010 Main
1:18	121-8866	1	Fuse-Mini Blade, 10 Amp
1:19	32180-156	1	Cap-Plug, 6 Way
1:20	32180-101	1	Cover-Fuse, Single
2	99-7435	1	Relay
3	3290-321	1	Screw-HWH
4	3296-2	1	Nut-Lock, NI
5	3290-378	10	Tie-Cable



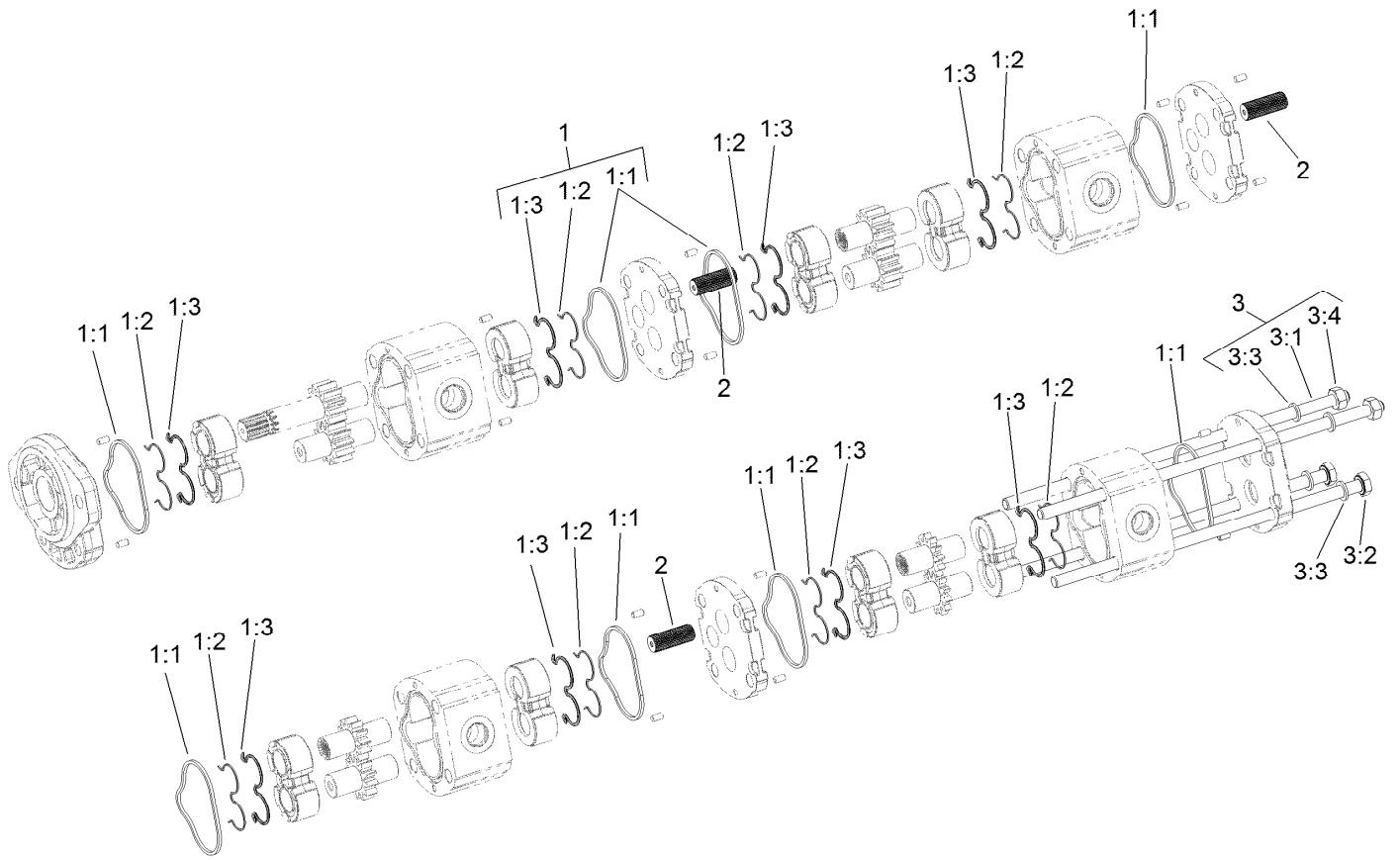
Engine Electrical Assembly

<i>Ref.</i>	<i>Part Number</i>	<i>Qty.</i>	<i>Description</i>	<i>Ref.</i>	<i>Part Number</i>	<i>Qty.</i>	<i>Description</i>
1	122-0893	1	Harness-Wire, Engine	15	99-7430	2	Relay-Mini
1:6	100-4918	2	Diode	16	99-7435	1	Relay
1:7	121-8861	1	Fuse-Mini Blade, 2 Amp	17	3290-321	1	Screw-HWH
1:8	121-8866	1	Fuse-Mini Blade, 10 Amp	18	3234-33	2	Screw-HHF
1:9	104-4022	1	Resistor-75 Ohm	19	3296-42	2	Nut-Lock, NI
2	121-8850	1	Cable-Battery, Positive	20	3296-2	1	Nut-Lock, NI
3	121-8851	1	Cable-Battery, Negative	21	33115-020	1	Screw-HH
4	121-5615	1	Cover-Battery	22	33003-00	1	Nut-HF
5	104-9979	1	Battery	23	33004-00	1	Nut-HF
6	104-8300	1	Nut-HF, NI	24	121-5636	1	Tab-Harness
7	138-6335	1	Retainer-Battery	25	33114-016	2	Screw-HH
8	127-2781	1	Mat-Battery	26	33115-016	2	Screw-HH
9	3230-6	1	Bolt-CARR	27	132-9706-03	1	Bracket-Harness
10	121-8854	2	Grip-Cord	28	3290-378	10	Tie-Cable
11	121-8855	2	Locknut-Grip, Cord	29	122-0058	1	Harness-Wire, Ground
12	121-8856	1	Cable-Ground, Engine	30	62-6660	1	Spacer
13	100-5552	1	Harness-Wire	31	120-9683	1	Washer-Plain
14	99-3441	1	Harness-Wire, Fusible Link	32	33095-00	1	Washer-Flat



Gear Pump Assembly

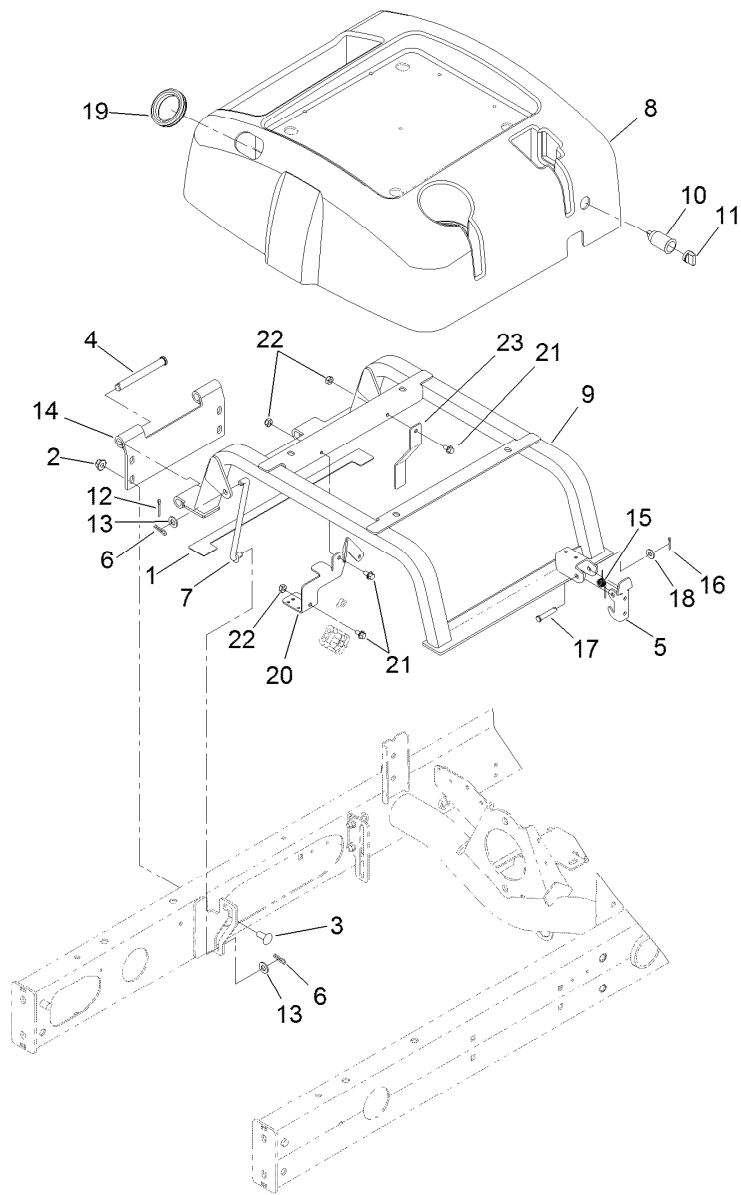
<i>Ref.</i>	<i>Part Number</i>	<i>Qty.</i>	<i>Description</i>	<i>Ref.</i>	<i>Part Number</i>	<i>Qty.</i>	<i>Description</i>
1	107-4547	1	Gear Pump ASM	10	103-9511	2	Nut-Lock, NI
2	104-3797	1	Fitting-Straight	11	104-8300	2	Nut-HF, NI
2:1	237-146	1	O-Ring	12	3230-1	2	Bolt-CARR
2:2	340-65	1	O-Ring	13	340-7	2	Fitting-Straight
3	108-1683	1	Hose-Formed	13:1	237-65	1	O-Ring
4	3256-24	4	Washer-Plain	13:2	237-80	1	O-Ring
5	108-1672	1	Manifold-Tube	14	340-3	2	Fitting-Straight
6	354-78	1	Fitting-STR	14:1	237-22	1	O-Ring
6:1	237-146	1	O-Ring	14:2	237-79	1	O-Ring
7	2412-34	2	Clamp-Hose	15	237-161	1	O-Ring
8	3274-1	2	Screw-HSH	16	108-1801-0P	1	Bracket - Pump Support
9	3253-5	2	Washer-Lock				



Gear Pump Assembly No. 107-4547

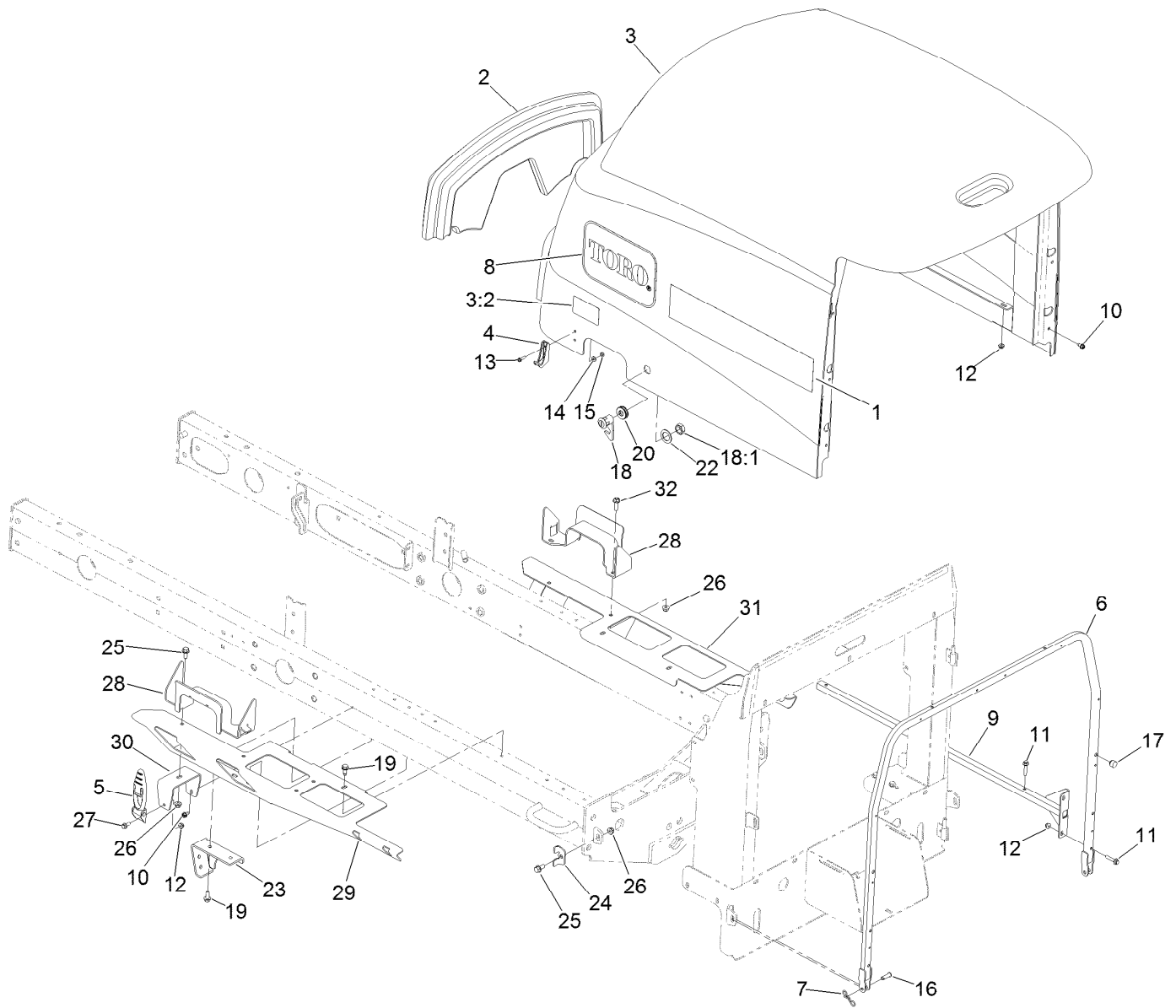
Ref.	Part Number	Qty.	Description
1	108-4595	1	Seal Kit
1:1		8	Seal ●
1:2		8	Seal ●
1:3		8	Ring-Back Up ●
2	120-6284	3	Hub-Connecting
3	125-8760	1	Kit-Bolt
3:1		2	Bolt-Stud ●
3:2		2	Screw ●
3:3		4	Washer ●
3:4		2	Nut ●

● Not serviced separately



Seat Base Assembly

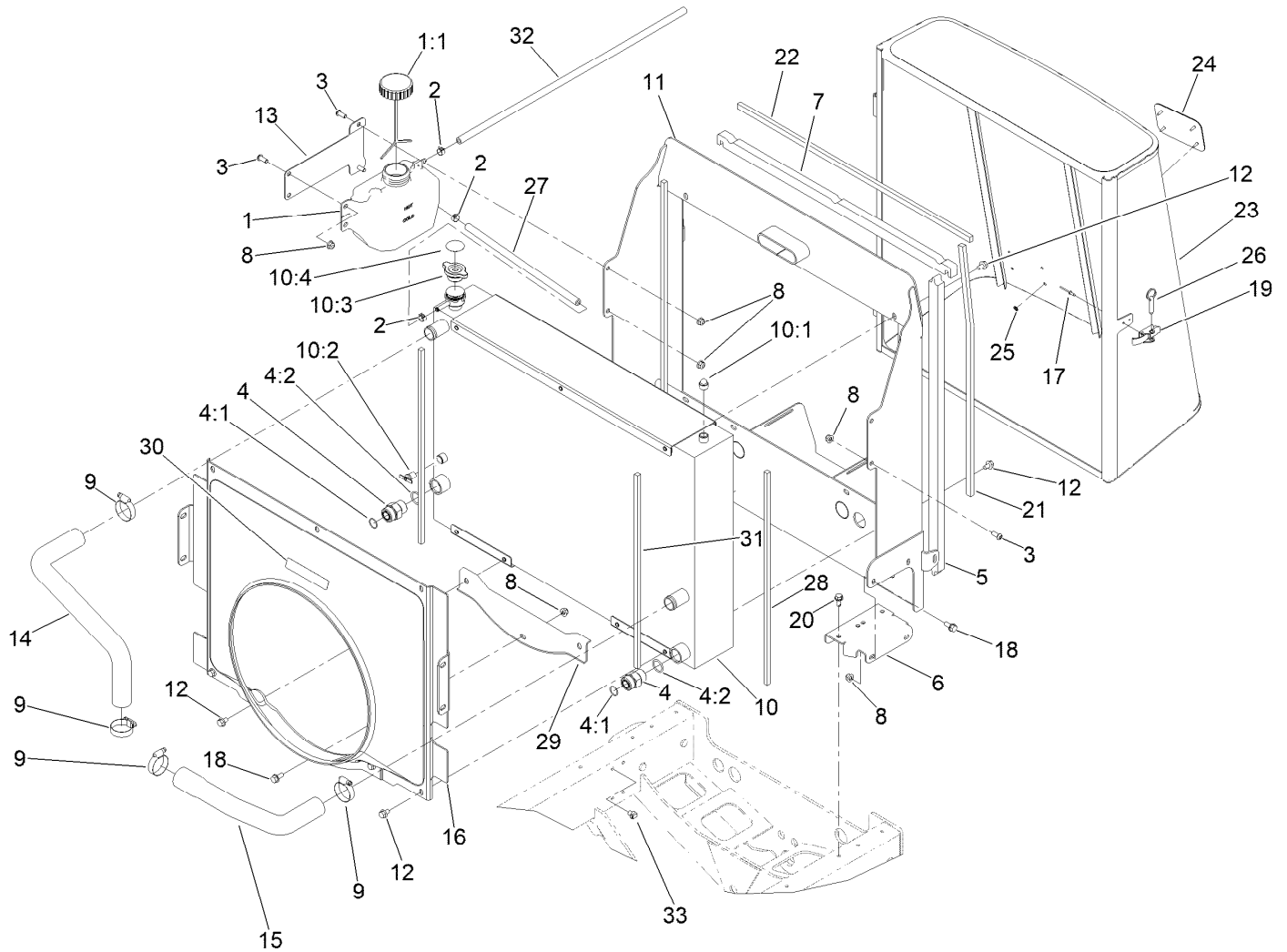
<i>Ref.</i>	<i>Part Number</i>	<i>Qty.</i>	<i>Description</i>	<i>Ref.</i>	<i>Part Number</i>	<i>Qty.</i>	<i>Description</i>
1	110-5255	2	Bumper-Base, Seat	13	3256-24	4	Washer-Plain
2	104-8301	4	Nut-HF, NI	14	125-2121-03	1	Hinge-Seatbase
3	3231-27	4	Screw-CARR	15	104-4821	1	Spring-Torsion
4	283-83	2	Pin-Clevis	16	3272-6	1	Pin-Cotter
5	110-8971	1	Latch	17	94-3829	1	Pin-Clevis
6	3290-307	4	Pin-Cotter	18	3256-2	1	Washer-Flat
7	98-0917	2	Rod-Prop	19	240-12	1	Grommet-Rubber
8	108-1757	1	Cover-Seatbase	20	127-2711-0P	1	Bracket-Harness
9	125-2122-03	1	Seat Base ASM	21	3234-13	3	Screw-HHF
10	99-7411	1	Point-Power	22	3296-16	3	Nut-Lock, NI
11	99-7416	1	Cap	23	127-2615-0P	1	Brkt-Wire Harness
12	3272-11	2	Pin-Cotter				



Hood Assembly

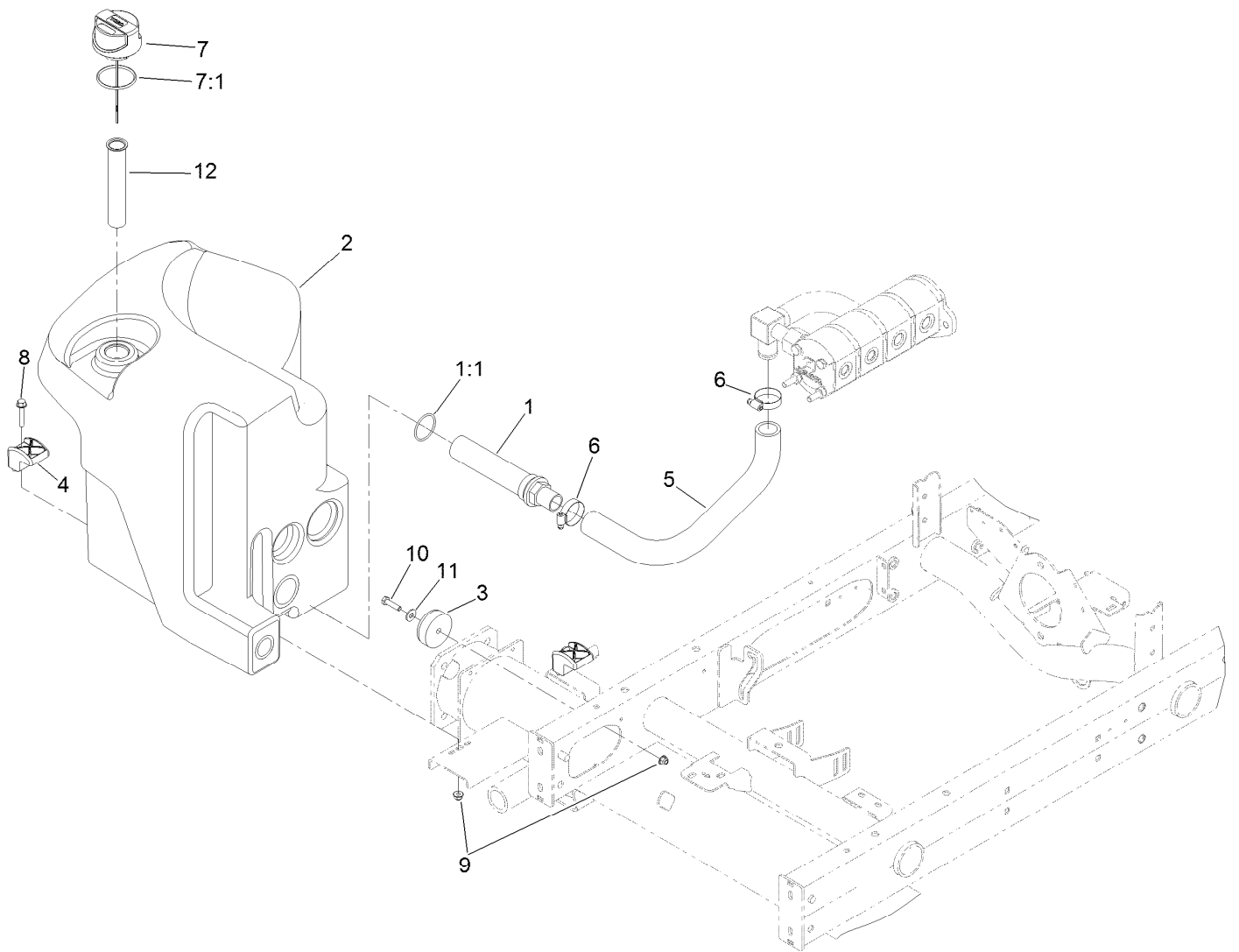
Ref.	Part Number	Qty.	Description	Ref.	Part Number	Qty.	Description
1	125-2929	2	Decal	17	107-8042	2	Bumper-Rubber
2	108-7587	1	Saddle-Hood	18	98-5398	1	Latch
3	121-5616	1	Hood ASM	18:1	3218-20	1	Nut-Jam ●
3:2	106-6754	1	Decal-Danger	19	32104-32	6	Screw-HWH
4	103-2897	2	Latch-Catch	20	104-1453	1	Grommet
5	103-2898	2	Latch-Rubber	22	99-4958	1	Spacer
6	125-8813-03	1	Tube-Frame, Hood	23	110-0979-03	2	Bracket-Deflector
7	105-7512	2	Pin-Tie, Bow	24	110-8946	2	Clamp-Frame, Radiator
8	66-6140	2	Decal	25	3234-5	2	Screw-HHF
9	108-1790-03	2	Tube	26	104-8300	6	Nut-HF, NI
10	32104-17	12	Screw-HWH	27	3234-33	2	Screw-HHF
11	3234-21	10	Screw-HHF	28	121-5627-03	2	Guide-Hood
12	104-7201	12	Nut-HF, NI	29	110-5253-01	1	Adapter-Hood, LH
13	32105-13	4	Screw-HWH	30	110-5256-01	2	Bracket-Latch, Hood
14	3256-14	4	Washer-Flat	31	110-5254-01	1	Adapter-Hood, RH
15	3296-12	4	Nut-Lock, NI	32	3234-17	4	Screw-HHF
16	283-61	2	Pin-Yoke				

● Not illustrated



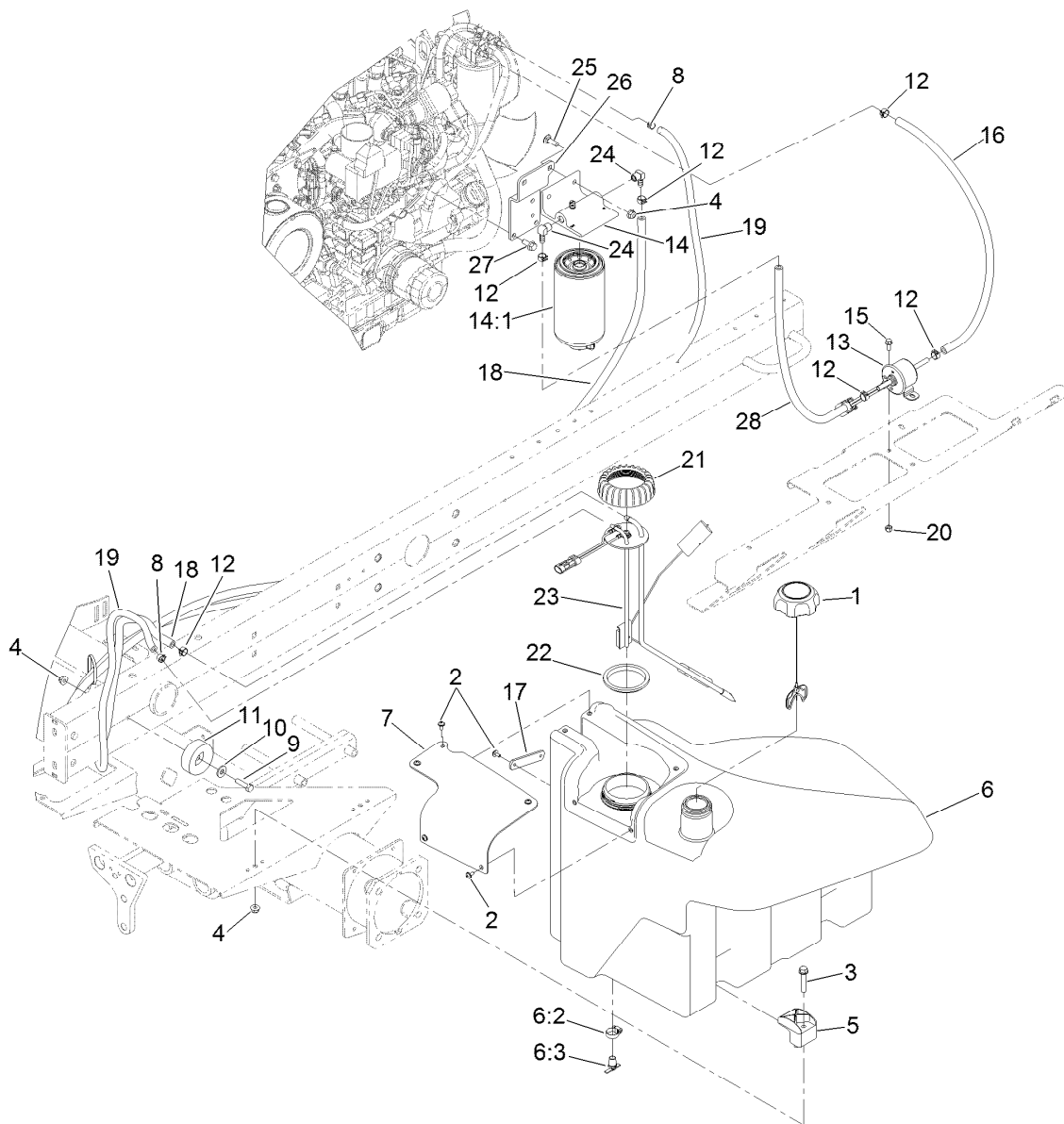
Cooling System Assembly

Ref.	Part Number	Qty.	Description	Ref.	Part Number	Qty.	Description
1	120-5573	1	Coolant Reservoir ASM	14	133-2994	1	Hose-Formed
1:1	87-7050	1	Cap-Reservoir	15	121-5558	1	Hose-Radiator, Lower
2	92-2379	3	Clamp-Hose	16	125-2904	1	Shroud-Fan, Diesel
3	3274-55	5	Screw-HSBH	17	3269-15	2	Rivet-Pop
4	340-9	2	Fitting-STR	18	3234-5	5	Screw-HHF
4:1	237-58	1	O-Ring	19	115-1554	1	Latch-Draw
4:2	237-81	1	O-Ring	20	32104-32	6	Screw-HWH
5	121-5554	2	Seal-Foam	21	121-5575	2	Seal-Foam
6	110-5310-0P	2	Bracket - Mounting	22	121-5576	1	Seal-Foam
7	110-5276	2	Seal-Foam	23	120-3844-03	1	Screen
8	104-8300	10	Nut-HF, NI	24	93-6028	1	Plate-Logo
9	2412-3	4	Clamp-Hose	25	138-6996	4	Nut-Push
10	120-3840	1	Oil Cooler And Radiator ASM	26	115-1556	1	Pin-Ball, Detent
10:1	281-13	1	Plug-Pipe	27	110-8752	1	Hose-Fuel
10:2	304-46	1	Draincock	28	110-0969	2	Seal-Foam
10:3	93-5957	1	Cap-Radiator	29	125-2905	1	Cap-Shroud, Diesel
10:4	106-6755	1	Decal-Cap, Radiator	30	93-7272	1	Decal-Warning
11	120-3815-03	1	Frame-Radiator	31	125-8767	2	Seal-Foam
12	3234-30	14	Screw-HHF	32	110-3257	1	Hose-Fuel
13	121-5568-0P	1	Bracket-Reservoir	33	32180-030	1	Clip-Tie



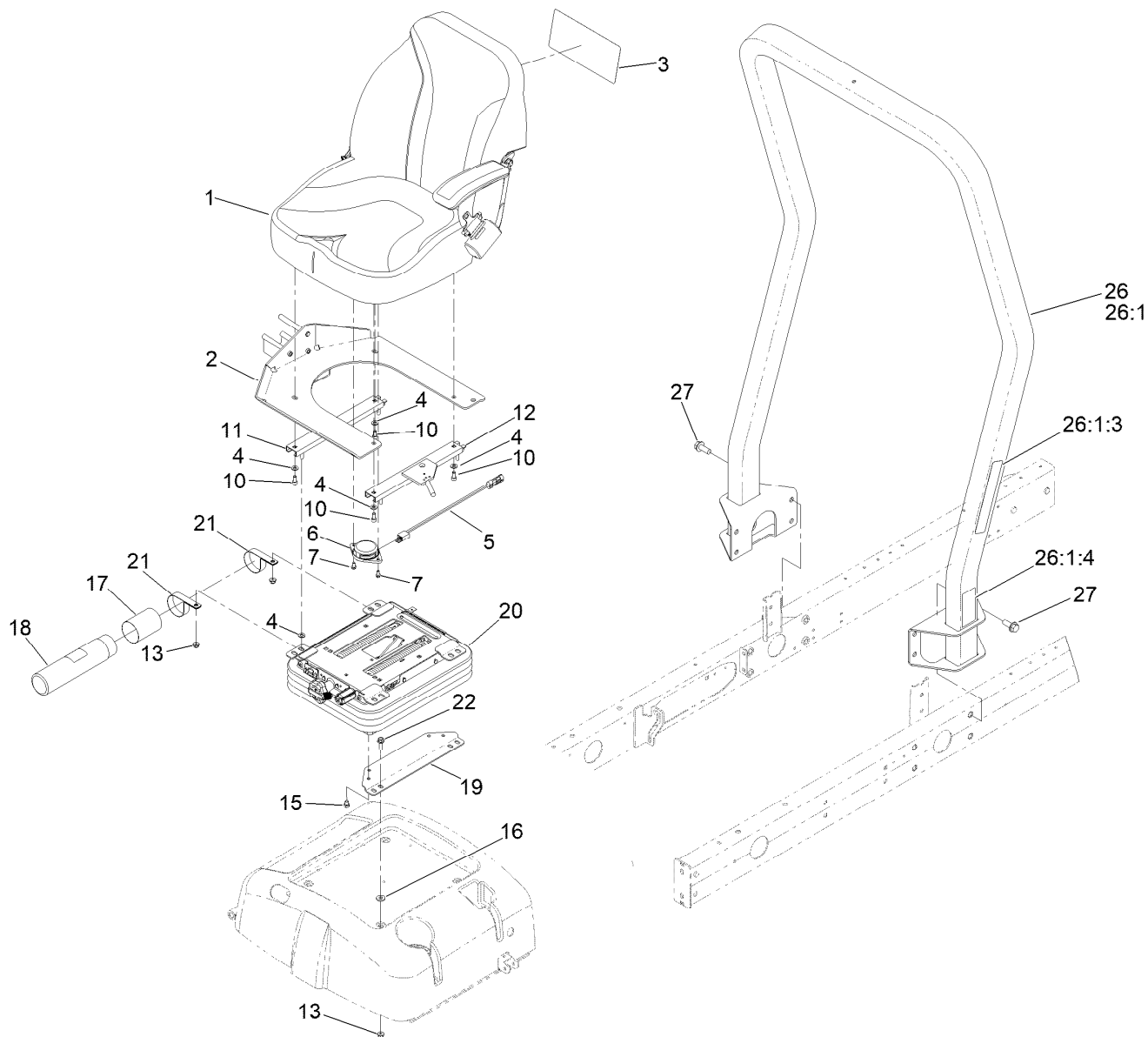
Hydraulic Tank Assembly

Ref.	Part Number	Qty.	Description
1	145-2463	1	Strainer-Tank, Hydraulic
1:1	340-136	1	O-Ring
2	121-5587	1	Tank-Hydraulic
3	108-1605	1	Bumper-Recess
4	107-4543	2	Clamp
5	108-1685	1	Hose-Formed
6	2412-3	2	Clamp-Hose
7	117-0193	1	Cap-Hydraulic, Vented Breather
7:1	237-101	1	O-Ring
8	94-5780	2	Screw-HWH
9	104-8300	3	Nut-HF, NI
10	322-6	1	Screw-HH
11	3256-3	1	Washer-Flat
12	61-2790	1	Filter-Screen



Fuel System Assembly

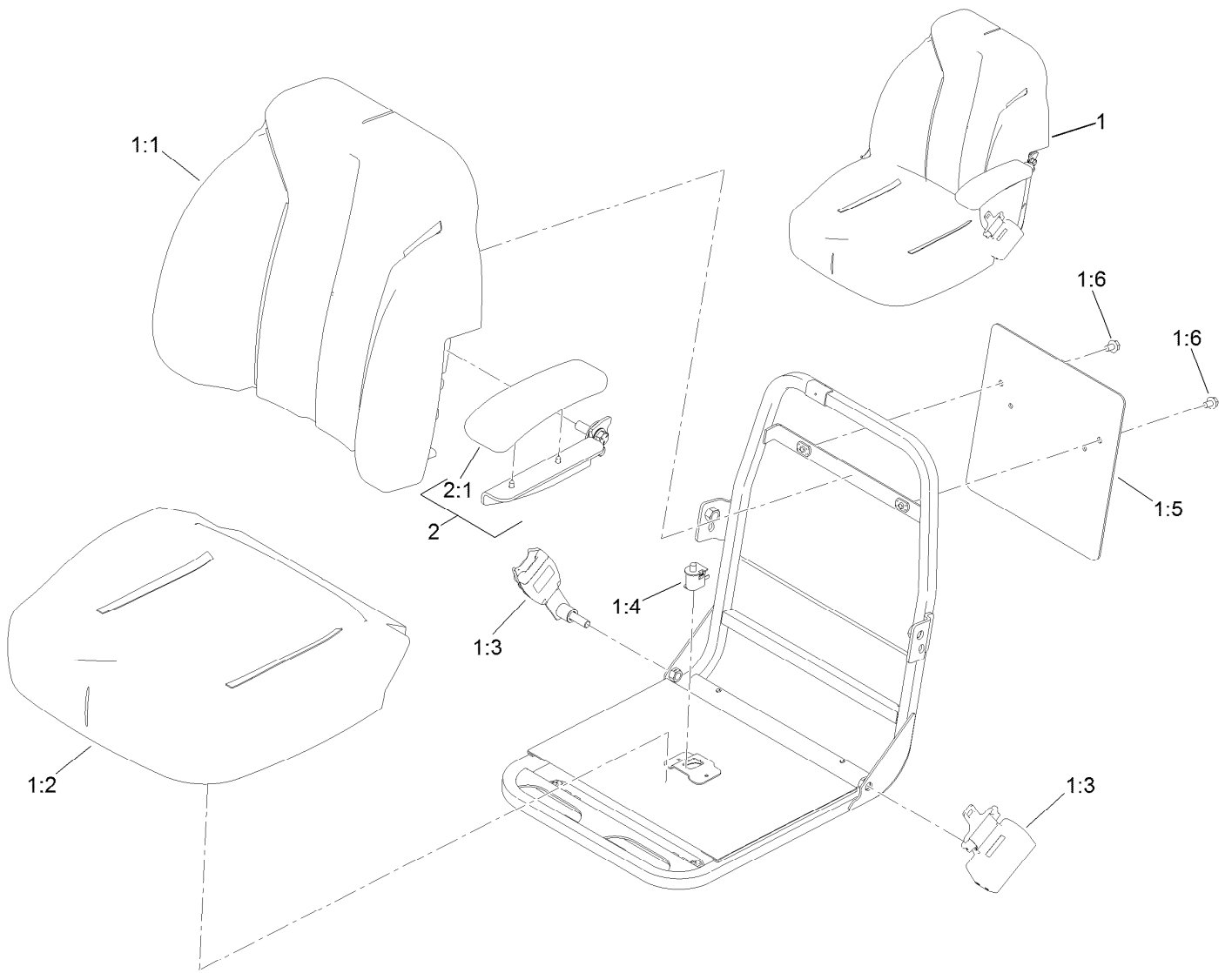
<i>Ref.</i>	<i>Part Number</i>	<i>Qty.</i>	<i>Description</i>	<i>Ref.</i>	<i>Part Number</i>	<i>Qty.</i>	<i>Description</i>
1	125-9173	1	Cap-Fuel, Diesel, Ultra Low Sulfur	14	125-2914	1	Filter-Separator
2	109-2661	7	Screw-PPH	14:1	125-2915	1	Filter-Fuel/Water Separator
3	94-5780	2	Screw-HWH	15	3234-33	2	Screw-HHF
4	104-8300	5	Nut-HF, NI	16	109-0308	1	Hose-Fuel
5	107-4543	2	Clamp	17	125-2945	1	Strap-Cable
6	125-2907	1	Fuel Tank ASM	18	121-5608	1	Hose-Fuel
6:2	2412-36	1	Clamp-Hose	19	121-5614	1	Hose-Fuel
6:3	304-46	1	Draincock	20	3296-42	2	Nut-Lock, NI
7	125-2903	1	Cover-Pump/Sender	21	115-2162	1	Cap-Pump, Fuel
8	2412-98	2	Clamp-Hose	22	115-2163	1	Gasket-Pump, Fuel
9	322-6	1	Screw-HH	23	121-5642	1	Sender-Fuel
10	3256-3	1	Washer-Flat	24	353-781	2	Fitting-HYD, 90
11	108-1605	1	Bumper-Recess	25	3230-22	2	Screw-CARR
12	92-2379	6	Clamp-Hose	26	120-6299-0P	1	Bracket-Separator
13	121-5613	1	Pump-Fuel, Electric	27	33104-020	3	Screw-HHF
				28	109-0274	1	Hose-Fuel



Seat Mounting Assembly

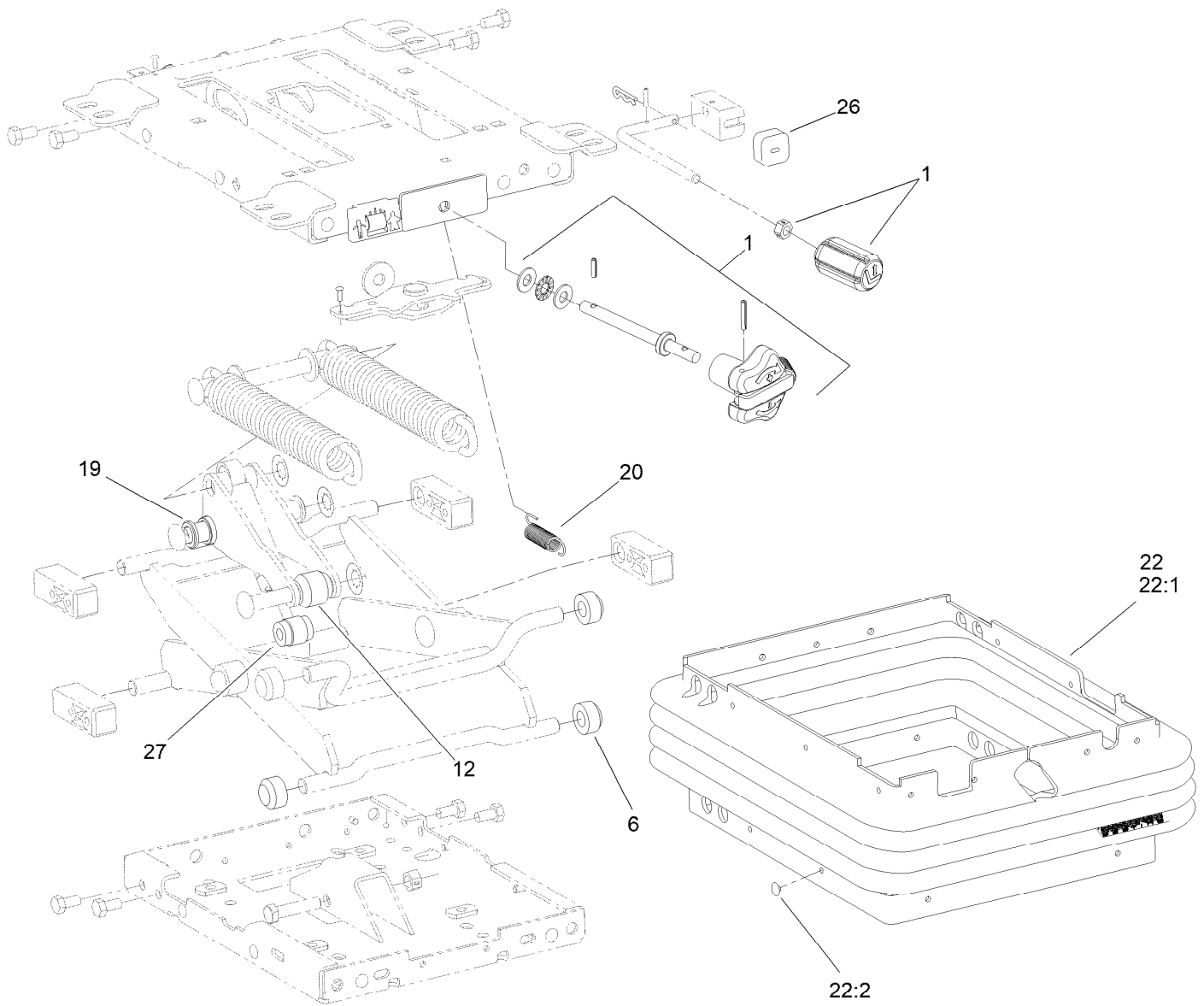
Ref.	Part Number	Qty.	Description	Ref.	Part Number	Qty.	Description
1	139-2700	1	Seat ASM	16	71-9310	4	Spacer
2	138-6985-03	1	Mount-Seat	17	104-7048	1	Cap-Housing
3	136-3723	1	Decal-Service	18	104-7050	1	Tube-Manual
4	3256-23	8	Washer-Plain	19	108-6590-0P	2	Bracket-Seat, Lower
5	108-8657	1	Harness-Wire, Seat	20	145-5295	1	Suspension ASM
6	136-9002	4	Spacer-Mounting	21	2412-133	2	Clamp-R
7	130-7100	1	Trim-Seatbase	22	3234-17	4	Screw-HHF
10	3290-511	4	Screw-HSBH	26	136-7954	1	ROPS ASM
11	92-8990	1	Adjuster-Seat, Non-Locking	26:1		1	ROPS ASM ●
12	92-8991	1	Adjuster (W/Latch)	26:1:3	136-3702	1	Decal-Safety, ROPS
13	104-8300	8	Nut-HF, NI	26:1:4	136-2159	1	Decal-Seat Service
15	48-7680	4	Screw-HH	27	3234-38	8	Screw-HHF

● Not serviced separately



Seat Assembly No. 139-2700

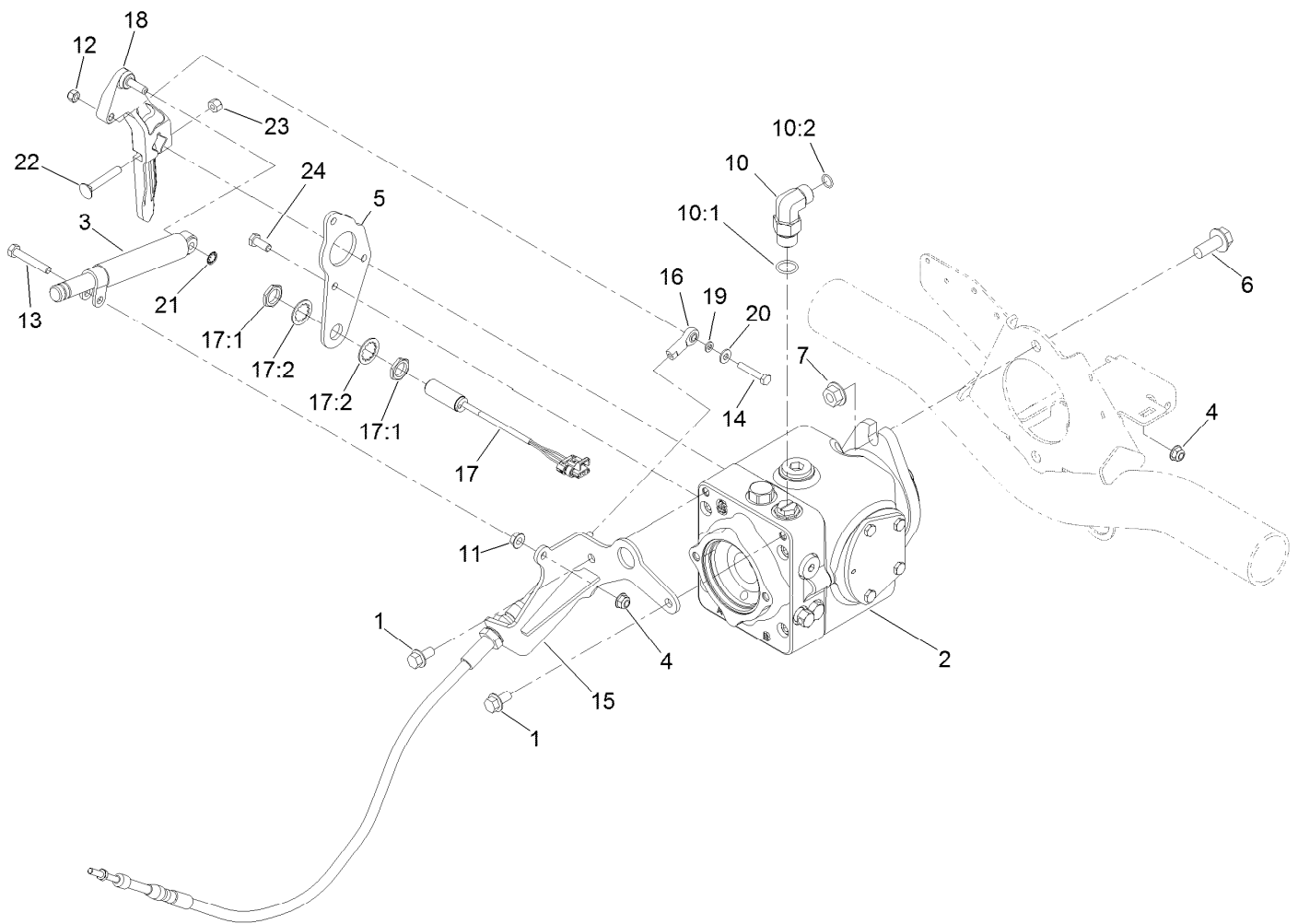
<i>Ref.</i>	<i>Part Number</i>	<i>Qty.</i>	<i>Description</i>
1	139-2680	1	Seat ASM
1:1	145-0083	1	Cover-Seat, Back
1:2	145-0084	1	Cover-Seat, Bottom
1:3	139-2707	1	Seat Belt Kit
1:4	82-2190	1	Switch-Bail
1:5	139-2701	1	Plate-Decal
1:6	3234-30	2	Screw-HHF
2	121-3660	1	LH Arm Rest Kit
2:1	110-4163	1	Cushion-Rest, Arm



Mechanical Seat Suspension Assembly No. 145-5295

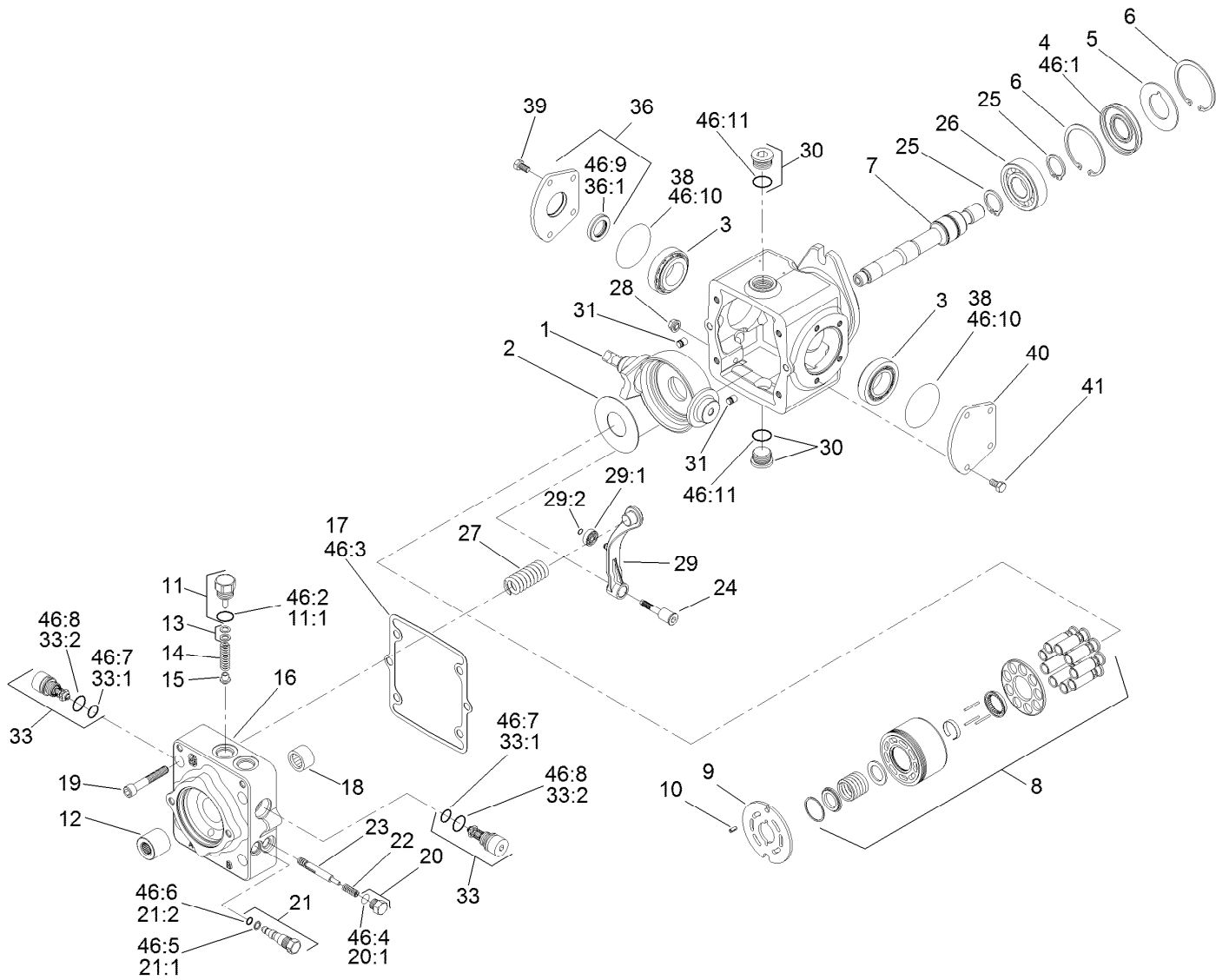
<i>Ref.</i>	<i>Part Number</i>	<i>Qty.</i>	<i>Description</i>
1	145-5296	1	Knob Service Kit
6	108-9632	4	Roller
12	145-5297	1	Roller-Plastic, 36MM
19	108-9622	2	Tube
20	108-9633	1	Spring-Extension
22	112-0164	1	Boot Kit
22:1		1	Boot-Suspension ●
22:2	108-9641	21	Clip-Plug
26	108-9634	1	Bumper
27	108-9614	1	Damper

● Not serviced separately



Traction Pump Mounting Assembly

<i>Ref.</i>	<i>Part Number</i>	<i>Qty.</i>	<i>Description</i>	<i>Ref.</i>	<i>Part Number</i>	<i>Qty.</i>	<i>Description</i>
1	3234-1	2	Screw-HHF	14	321-9	1	Screw-HH
2	119-6972	1	Variable Hydraulic Pump ASM	15	127-2356-0P	1	Brkt-Cable [primed]
3	140-6248	1	Damper	16	2411-41	1	Rod End-Ball Joint
4	104-8300	1	Nut-HF, NI	17	115-5300	1	Proximity Switch ASM
5	125-8822-0P	1	Plate-Pump	17:1	117-3207	2	Nut-Hex
6	3234-38	2	Screw-HHF	17:2	117-3208	2	Washer-Lock, Internal Tooth
7	32128-49	2	Nut-HHF	18	117-0265	1	Lever-Pump
10	340-105	1	Fitting-Elbow, 90 DEG	19	33093-00	1	Washer-Flat
10:1	237-80	1	O-Ring	20	3256-22	1	Washer-Flat
10:2	237-30	1	O-Ring	21	32151-72	1	Ring-Retaining
11	32128-20	1	Nut-HF	22	3230-6	1	Bolt-CARR
12	3296-42	1	Nut-Lock, NI	23	3296-29	1	Nut-Lock, NI
13	322-10	1	Screw-HH	24	33114-020	3	Screw-HH

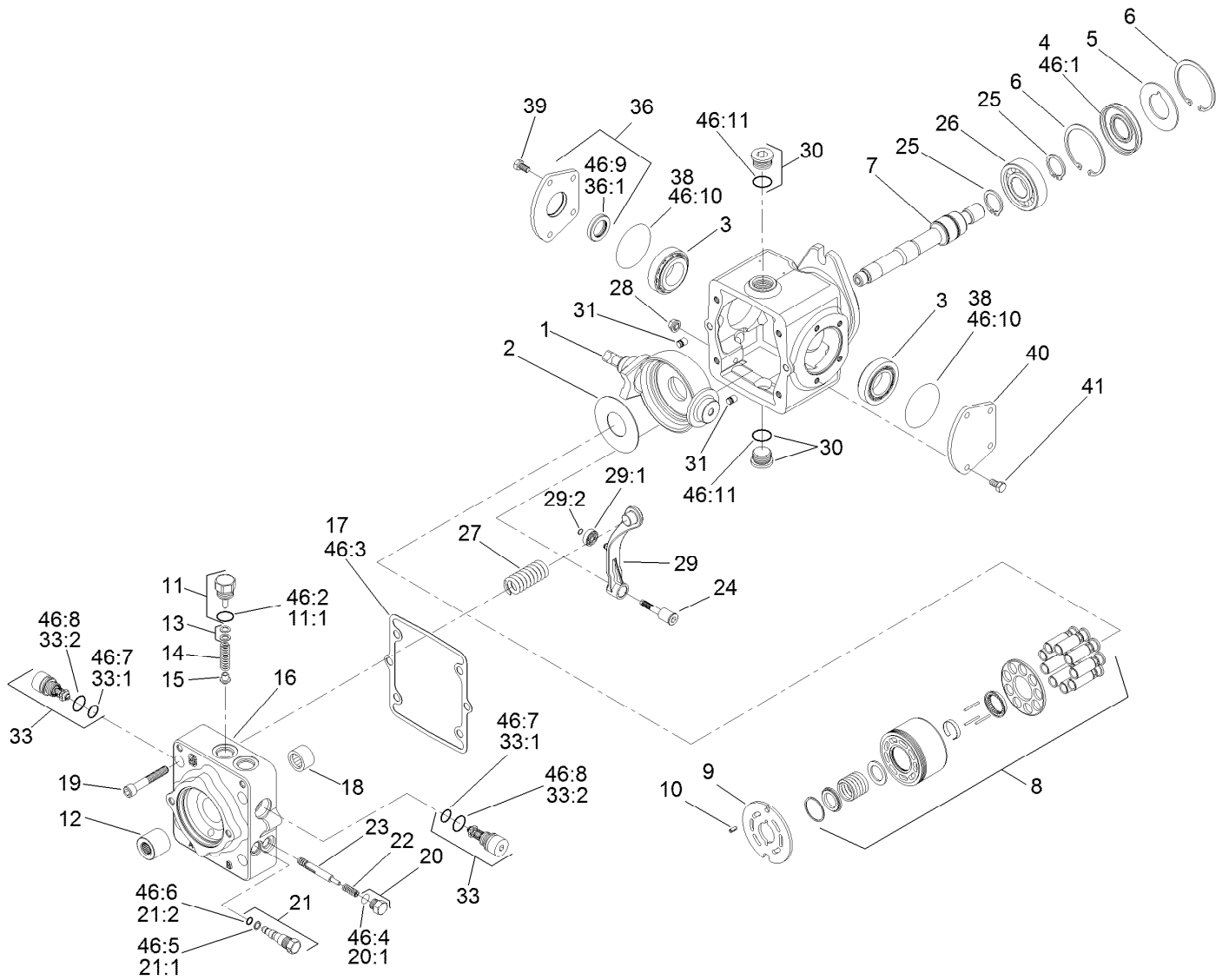


Hydraulic Pump Assembly No. 119-6972

Ref.	Part Number	Qty.	Description	Ref.	Part Number	Qty.	Description
1	115-8092	1	Swashplate	18	75-0500	1	Bearing-Needle
2	75-0400	1	Plate-Thrust	19	110-6489	4	Screw
3	110-6483	2	Bearing Kit	20	94-9415	2	Plug ASM
4	110-6471	1	Seal-Lip	20:1		1	O-Ring ■
5	95-4400	1	Washer-Backup	21	107-4364	1	Bypass Valve ASM
6	69-3200	2	Ring-Retaining	21:1	25-2630	1	Ring-Back Up
7	110-6484	1	Shaft-Auxiliary	21:2	110-6498	1	O-Ring
8	110-6472	1	Cylinder Block Kit ASM	22	110-6491	2	Spring
9	110-6473	1	Plate-Valve (Clockwise)	23	110-6492	1	Spool-Loop, Flush
10	110-6485	1	Pin-Slotted	24	110-6493	1	Pivot-Return, Neutral
11	110-6486	1	Plug-Relief, Charge	25	69-3170	2	Ring-Retaining
11:1	28-3570	1	O-Ring	26	75-0460	1	Bearing-Ball
12	110-6480	1	Coupling	27	115-8085	1	Spring-Neutral Return
13	92-1353	1	Shim Kit	28	110-6496	1	Nut-Seal
14	110-6474	1	Spring	29	110-6497	1	Neutral Return Arm ASM
15	110-6475	1	Poppet	29:1	110-6494	1	Bearing-Cam
16	115-8087	1	Cap-End	29:2	110-3056	1	Ring-Retaining
17	110-6476	1	Gasket-Cap, End	30	69-3130	2	Plug

● Not illustrated

■ Not serviced separately

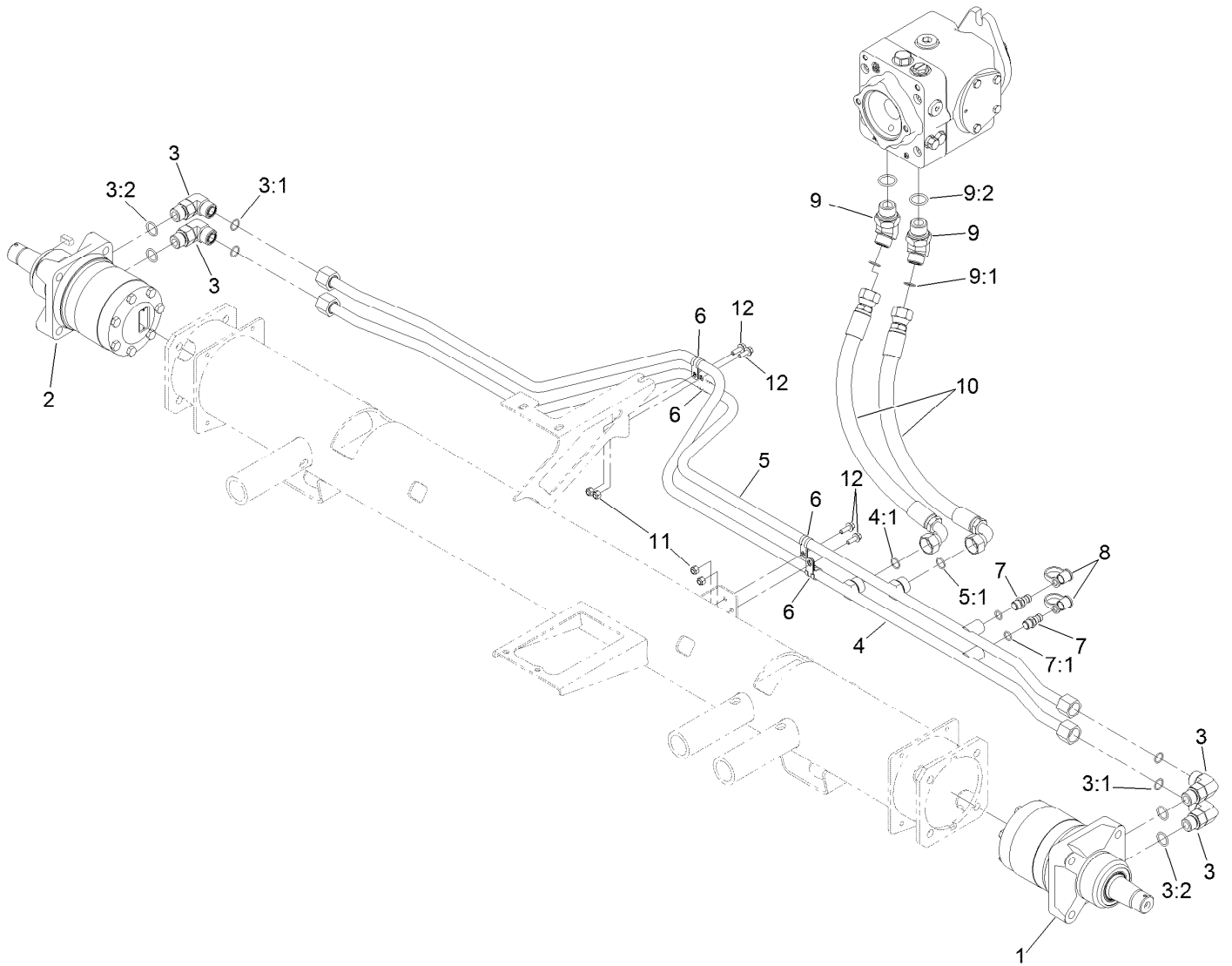


Hydraulic Pump Assembly No. 119-6972 (continued)

Ref.	Part Number	Qty.	Description	Ref.	Part Number	Qty.	Description
31	112-0158	2	Pin	46:1	110-6471	1	Seal-Lip
33	110-6477	2	Valve-Relief	46:2	28-3570	1	O-Ring
33:1	75-0240	1	O-Ring ●	46:3	110-6476	1	Gasket-Cap, End
33:2	84-0560	1	O-Ring ●	46:4	131-8631	2	O-Ring
36	110-6499	1	Trunnion Cover ASM	46:5	25-2630	1	Ring-Back Up
36:1	110-6478	1	Seal-Lip	46:6	110-6498	1	O-Ring
38	84-0430	2	O-Ring	46:7	75-0240	2	O-Ring
39	112-0150	4	Screw	46:8	84-0560	2	O-Ring
40	84-0440	1	Cover-Trunnion	46:9	110-6478	1	Seal-Lip
41	112-0151	4	Screw	46:10	84-0430	2	O-Ring
46	110-6481	1	Seal Kit ●	46:11	131-8614	2	O-Ring

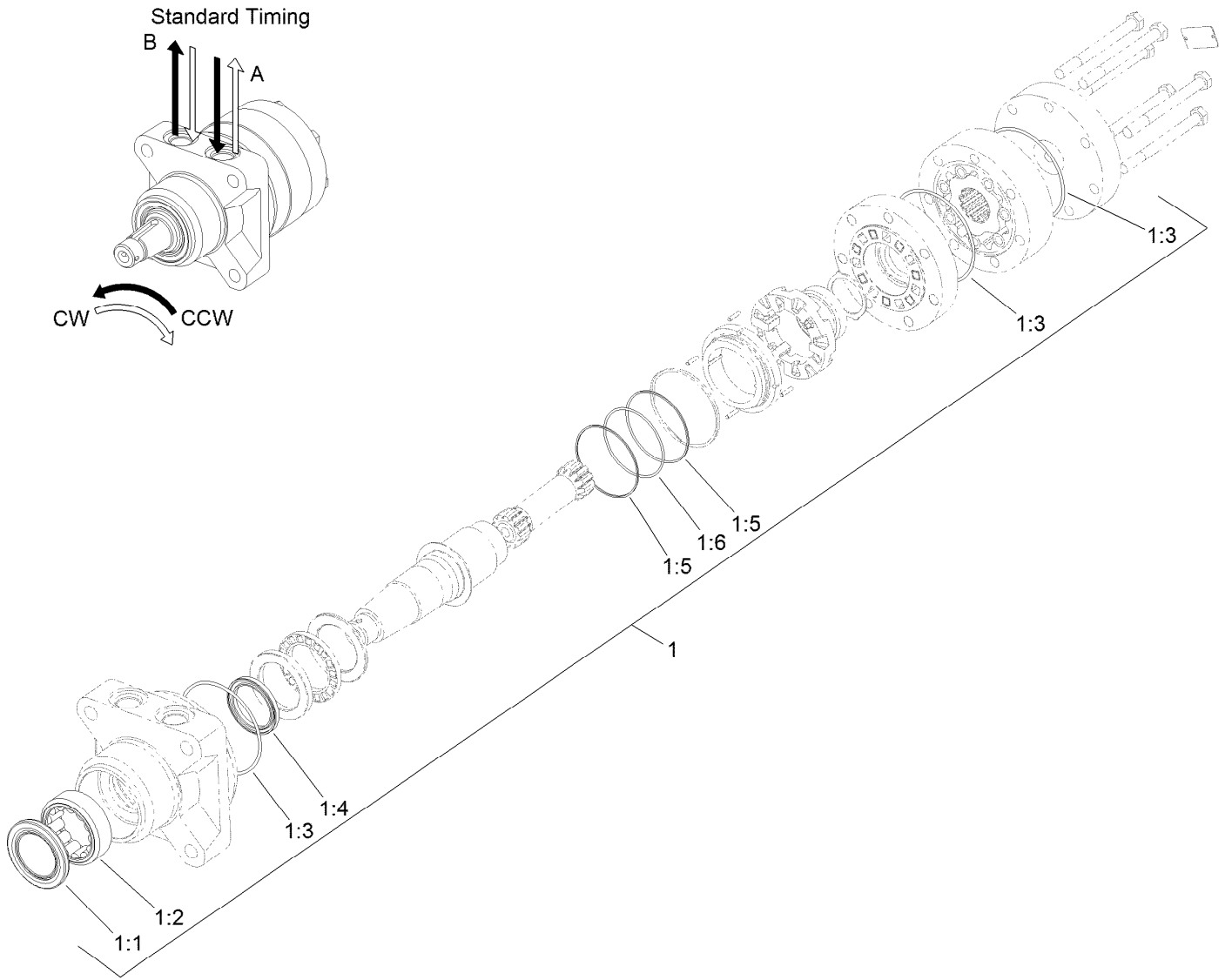
● Not illustrated

■ Not serviced separately



Traction Hydraulic Assembly

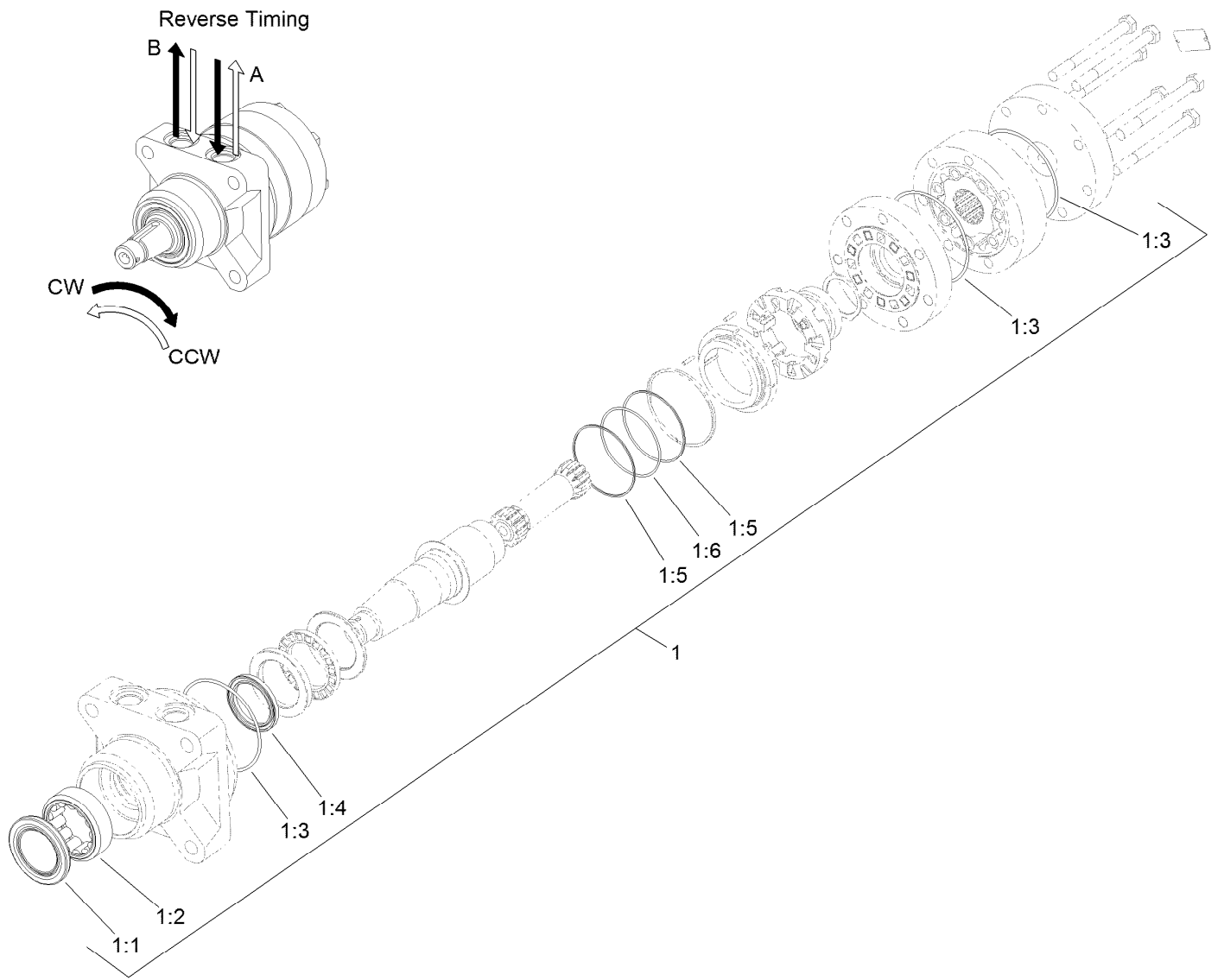
<i>Ref.</i>	<i>Part Number</i>	<i>Qty.</i>	<i>Description</i>	<i>Ref.</i>	<i>Part Number</i>	<i>Qty.</i>	<i>Description</i>
1	133-2935	1	Hydraulic Motor ASM	7	59-7410	2	Fitting-Diagnostic
2	133-2934	1	Hydraulic Motor ASM	7:1	237-42	1	O-Ring
3	340-17	4	Fitting-Elbow, 90 DEG	8	354-79	2	Cap-Dust
3:1	237-65	1	O-Ring	9	340-156	2	Fitting-Elbow 45
3:2	237-80	1	O-Ring	9:1	237-65	1	O-Ring
4	108-7632	1	Hydraulic Tube ASM	9:2	237-81	1	O-Ring
4:1	237-65	1	O-Ring	10	108-1679	2	Hose-HYD
5	108-7633	1	Tube ASM	11	3296-42	4	Nut-Lock, NI
5:1	237-65	1	O-Ring	12	3234-4	4	Screw-HHF
6	2412-134	4	Clamp-R				



Hydraulic Motor Assembly No. 133-2935 (CCW)

Ref.	Part Number	Qty.	Description
1	120-6268	1	Seal Kit
1:1		1	Seal-Grease ●
1:2		1	Shell-Bearing ●
1:3		3	O-Ring ●
1:4		1	Seal-Shaft ●
1:5		2	Ring-Back Up ●
1:6		1	O-Ring ●

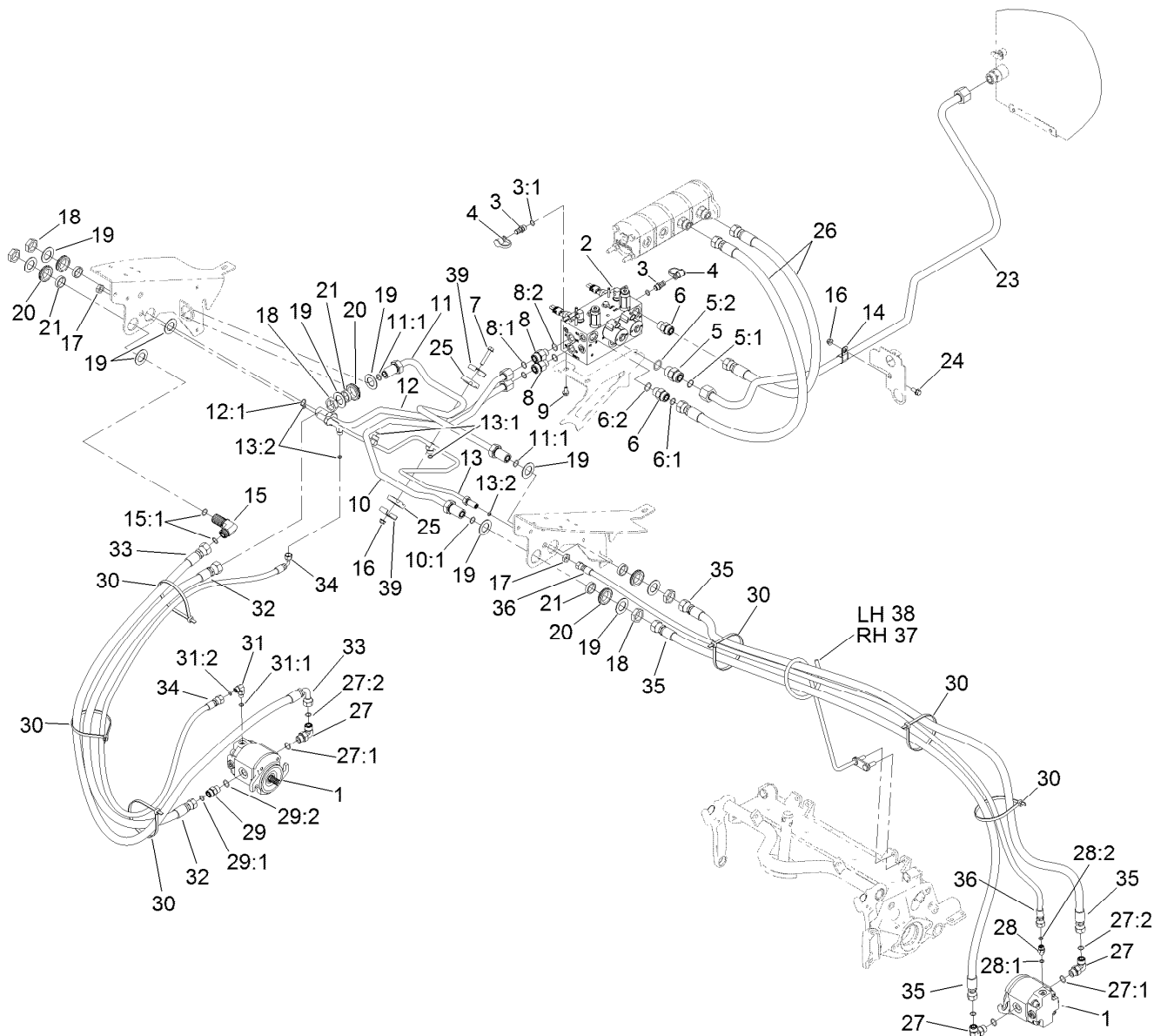
● Not serviced separately



Hydraulic Motor Assembly No. 133-2934 (CW)

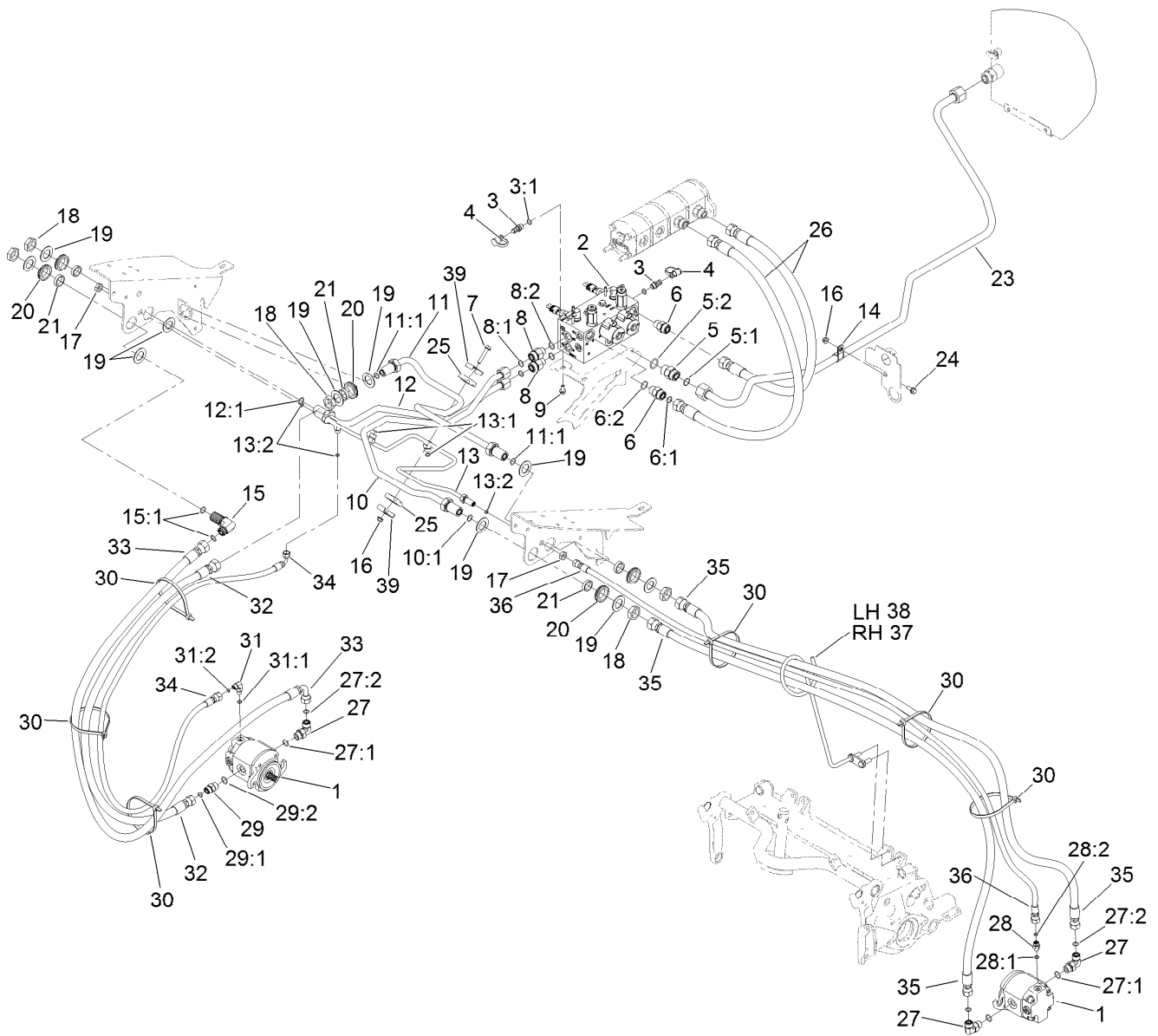
Ref.	Part Number	Qty.	Description
1	120-6268	1	Seal Kit
1:1		1	Seal-Grease ●
1:2		1	Shell-Bearing ●
1:3		3	O-Ring ●
1:4		1	Seal-Shaft ●
1:5		2	Ring-Back Up ●
1:6		1	O-Ring ●

● Not serviced separately



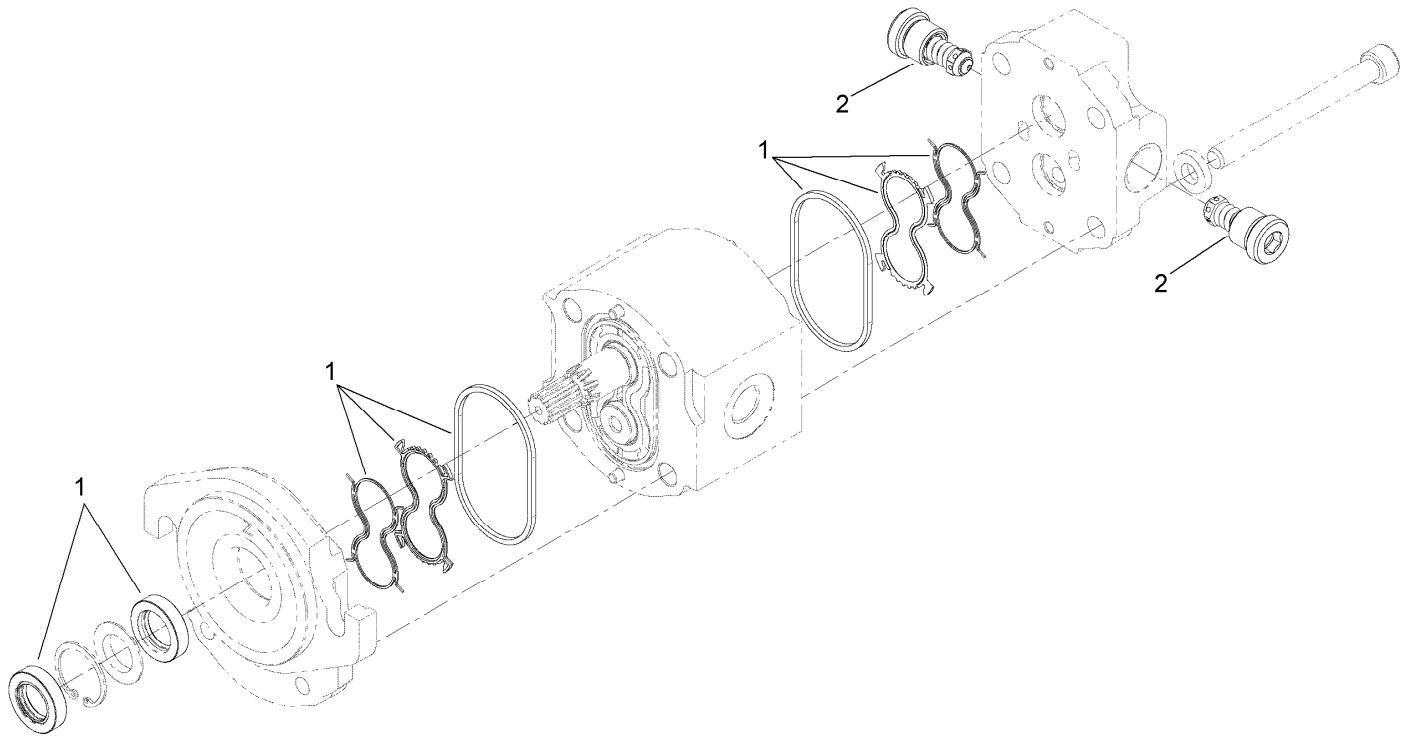
No. 1, 4 and 5 Reel Drive Hydraulic Assembly

Ref.	Part Number	Qty.	Description	Ref.	Part Number	Qty.	Description
1	120-6272	3	HYD Motor ASM	12:1	237-65	1	O-Ring
2	121-5628	1	Hydraulic Manifold ASM	13	110-5286	1	Tube ASM
3	59-7410	2	Fitting-Diagnostic	13:1	237-22	2	O-Ring
3:1	237-42	1	O-Ring	13:2	237-21	3	O-Ring
4	354-79	2	Cap-Dust	14	2412-4	1	Clamp-R
5	340-9	1	Fitting-STR	15	340-72	1	Fitting-Bulkhead, 90 DEG
5:1	237-58	1	O-Ring	15:1	237-65	2	O-Ring
5:2	237-81	1	O-Ring	16	104-8300	2	Nut-HF, NI
6	340-7	2	Fitting-Straight	17	340-78	2	Nut-Lock
6:1	237-65	1	O-Ring	18	340-74	5	Nut-Lock, Bulkhead
6:2	237-80	1	O-Ring	19	69-9010	10	Washer
7	94-5780	1	Screw-HWH	20	240-3	5	Grommet-Rubber
8	340-155	2	Fitting-Straight	21	125-1984	5	Spacer
8:1	237-79	1	O-Ring	23	120-3769	1	Hydraulic Tube ASM
8:2	237-151	1	O-Ring	24	3234-5	1	Screw-HHF
9	3234-14	3	Screw-HHF	25	56-7970	2	Clamp-Tube
10	117-0138	1	Tube ASM	26	108-1686	2	Hose-HYD
10:1	237-65	1	O-Ring	27	340-98	5	Fitting-Elbow, 90 DEG
11	117-0137	1	Tube ASM	27:1	237-79	1	O-Ring
11:1	237-65	2	O-Ring	27:2	237-30	1	O-Ring
12	117-0139	1	Tube ASM	28	340-92	2	Fitting-Straight



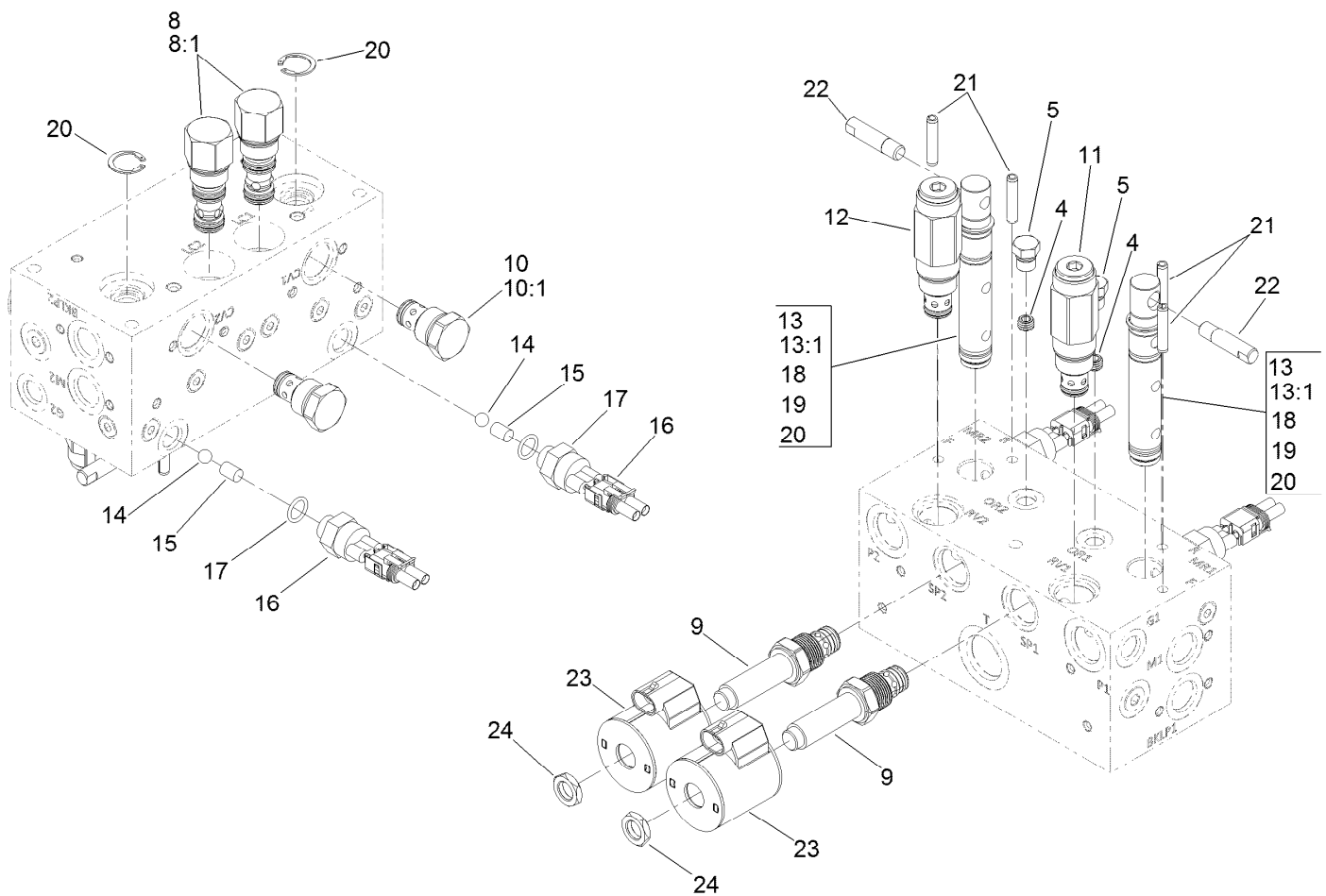
No. 1, 4 and 5 Reel Drive Hydraulic Assembly (continued)

<i>Ref.</i>	<i>Part Number</i>	<i>Qty.</i>	<i>Description</i>	<i>Ref.</i>	<i>Part Number</i>	<i>Qty.</i>	<i>Description</i>
28:1	237-78	1	O-Ring	32	114-0633	1	Hose-HYD
28:2	237-21	1	O-Ring	33	117-5190	1	Hose-HYD
29	340-4	1	Fitting-Straight	34	106-3671	1	Hose-HYD
29:1	237-30	1	O-Ring	35	117-5188	4	Hose-HYD
29:2	237-79	1	O-Ring	36	106-3680	2	Hose-HYD
30	3334-945	9	Tie-Cable	37	139-5995	1	Guide-Hose, RH
31	340-132	1	Fitting-Elbow, 90 DEG	38	139-5996	1	Hose Guide ASM-LH
31:1	237-78	1	O-Ring	39	119-1419	2	Plate-Clamp
31:2	237-21	1	O-Ring				



Hydraulic Motor Assembly No. 120-6272

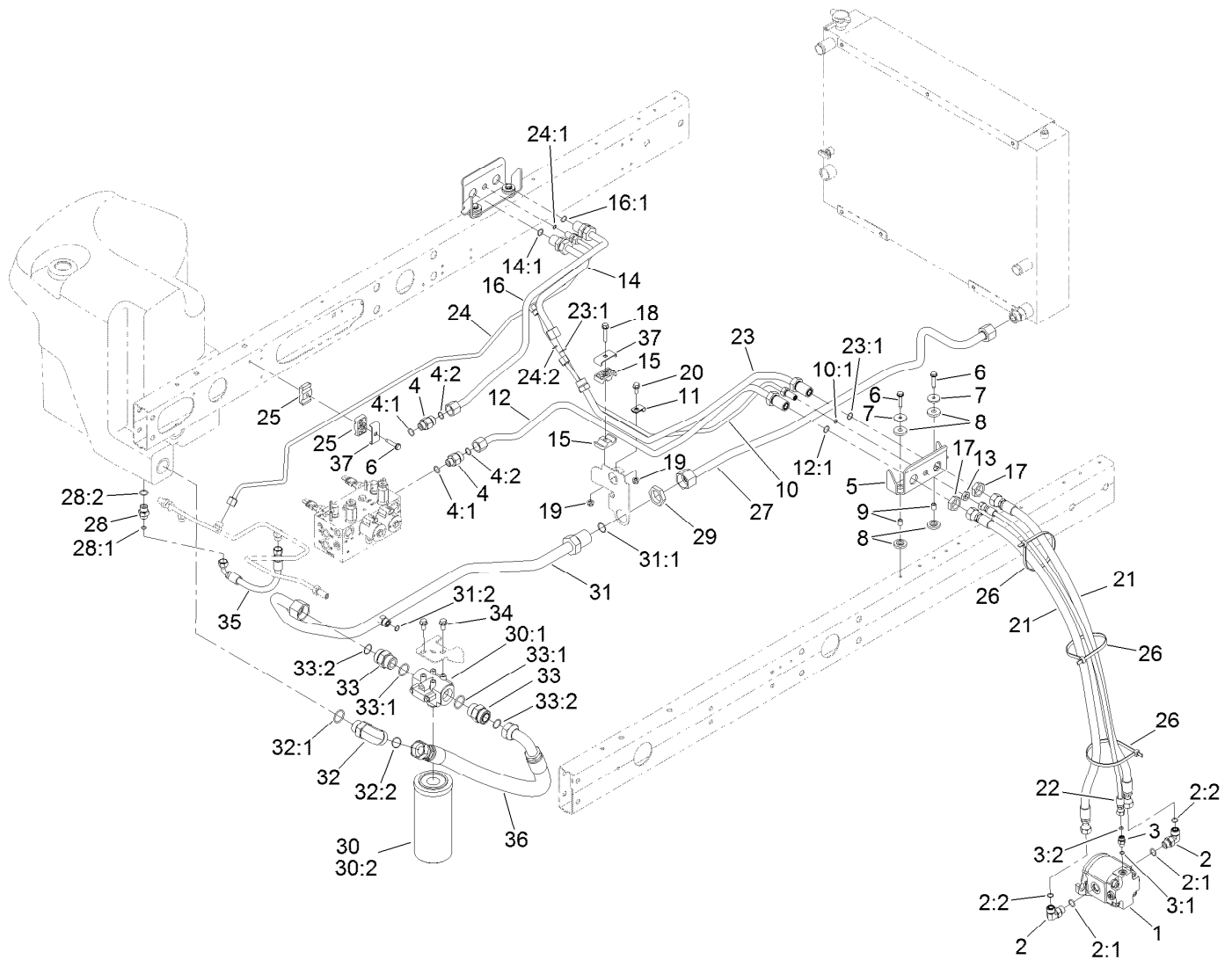
<i>Ref.</i>	<i>Part Number</i>	<i>Qty.</i>	<i>Description</i>
1	138-1234	1	Seal Kit
2	117-5107	1	Valve-Check



Manifold Assembly No. 121-5628

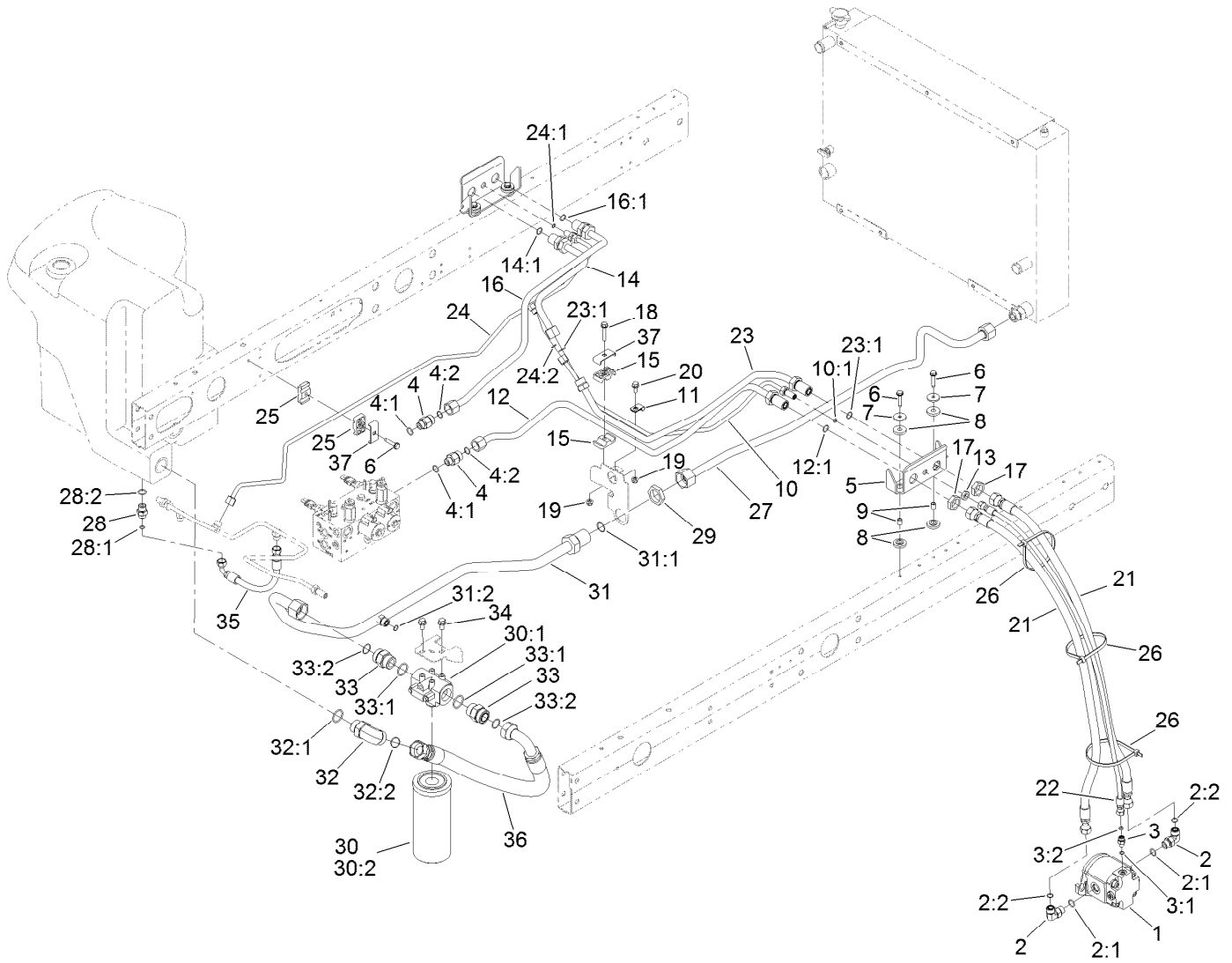
Ref.	Part Number	Qty.	Description	Ref.	Part Number	Qty.	Description
4	110-8883	1	Plug-Orifice (0.040)	14	117-4605	2	Ball-SS
5	117-0115	1	Plug	15	120-1650	2	Pin
8	120-1693	2	Compensator-Pressure	16	72-4310	2	Switch-Ball
8:1	119-2159	1	Seal Kit	17	110-8757	2	O-Ring
9	138-6961	2	Valve-Proportional, NC	18	117-4606	6	O-Ring
10	110-8881	2	Valve-Check	19	112-6534	4	Ring-Back Up
10:1	105-9159	1	Seal Kit ●	20	112-6532	4	Ring-Retaining
11	138-6962	1	Valve-Relief, 2500 PSI	21	112-6531	4	Pin-Spring
12	138-6963	1	Valve-Relief, 3500 PSI	22	110-8758	2	Handle-Spool
13	117-0108	2	Spool-Rotary	23	110-6344	2	Coil-12V, DC
13:1	117-0109	1	Seal Kit	24	110-2634	2	Nut-Coil

● Not illustrated



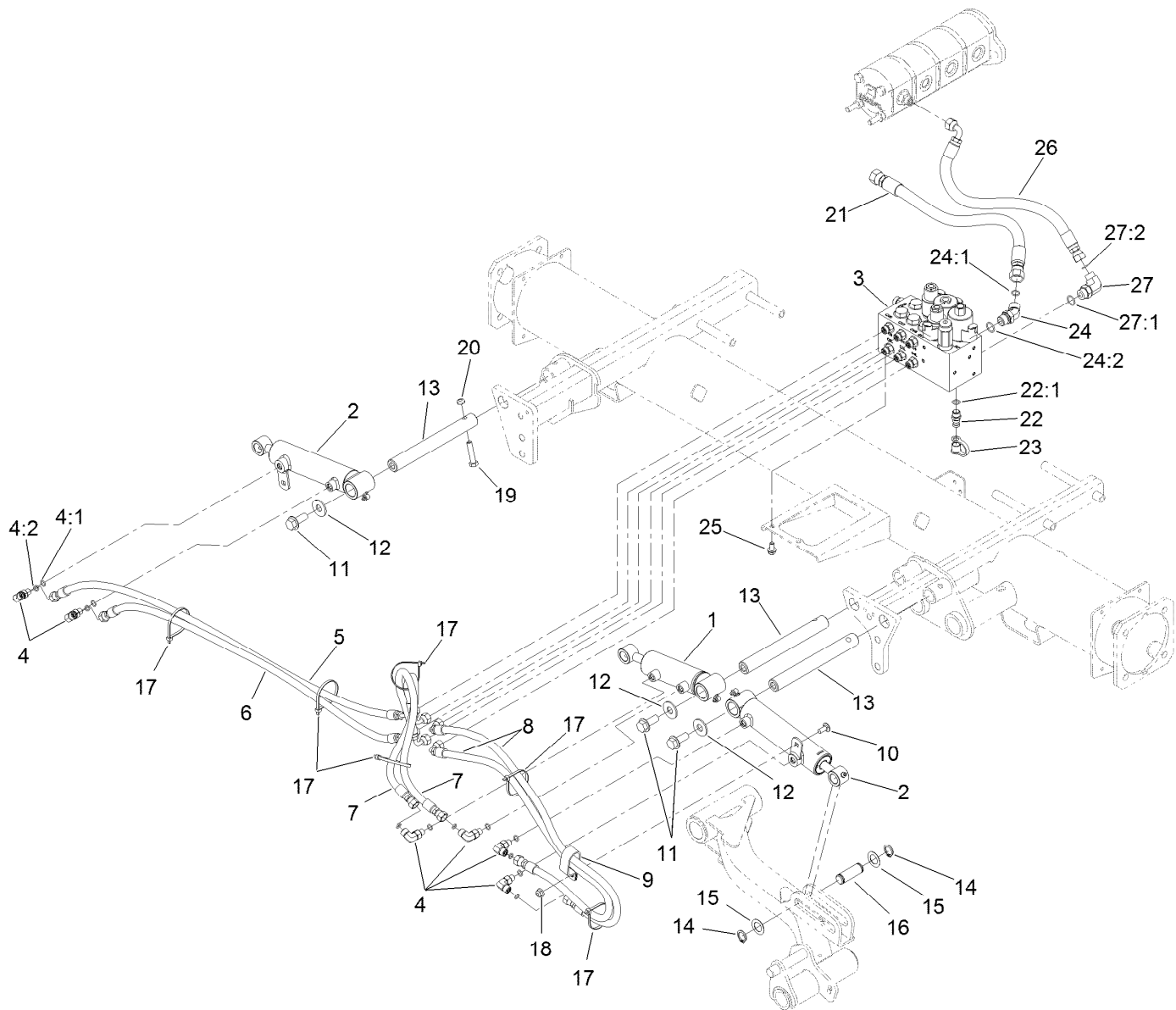
No. 2 and 3 Reel Drive Hydraulic Assembly

Ref.	Part Number	Qty.	Description	Ref.	Part Number	Qty.	Description
1	120-6272	2	HYD Motor ASM	14	117-0140	1	Tube ASM
2	340-98	4	Fitting-Elbow, 90 DEG	14:1	237-65	1	O-Ring
2:1	237-79	1	O-Ring	15	56-7971	2	Clamp-Tube
2:2	237-30	1	O-Ring	16	117-0141	1	Tube ASM
3	340-92	2	Fitting-Straight	16:1	237-65	1	O-Ring
3:1	237-78	1	O-Ring	17	340-74	4	Nut-Lock, Bulkhead
3:2	237-21	1	O-Ring	18	94-5780	1	Screw-HWH
4	340-155	2	Fitting-Straight	19	104-8300	2	Nut-HF, NI
4:1	237-79	1	O-Ring	20	3234-5	1	Screw-HHF
4:2	237-151	1	O-Ring	21	114-0633	4	Hose-HYD
5	117-0174-03	2	Bracket-Bulkhead	22	98-4590	2	Hose-HYD
6	32144-57	5	Screw	23	120-3775	1	HYD Tube ASM
7	105-3048	4	Washer-Flat	23:1	237-65	2	O-Ring
8	240-11	8	Bushing-Flange	24	120-3811	1	HYD Tube ASM
9	99-8611	4	Spacer	24:1	237-21	1	O-Ring
10	120-3772	1	HYD Tube ASM	24:2	237-22	1	O-Ring
10:1	237-21	1	O-Ring	25	56-7972	2	Clamp-Tube
11	2412-113	1	Clamp-R	26	3334-945	6	Tie-Cable
12	120-3774	1	HYD Tube ASM	27	121-5600	1	HYD Tube ASM
12:1	237-65	1	O-Ring	28	340-3	1	Fitting-Straight
13	340-78	2	Nut-Lock	28:1	237-22	1	O-Ring



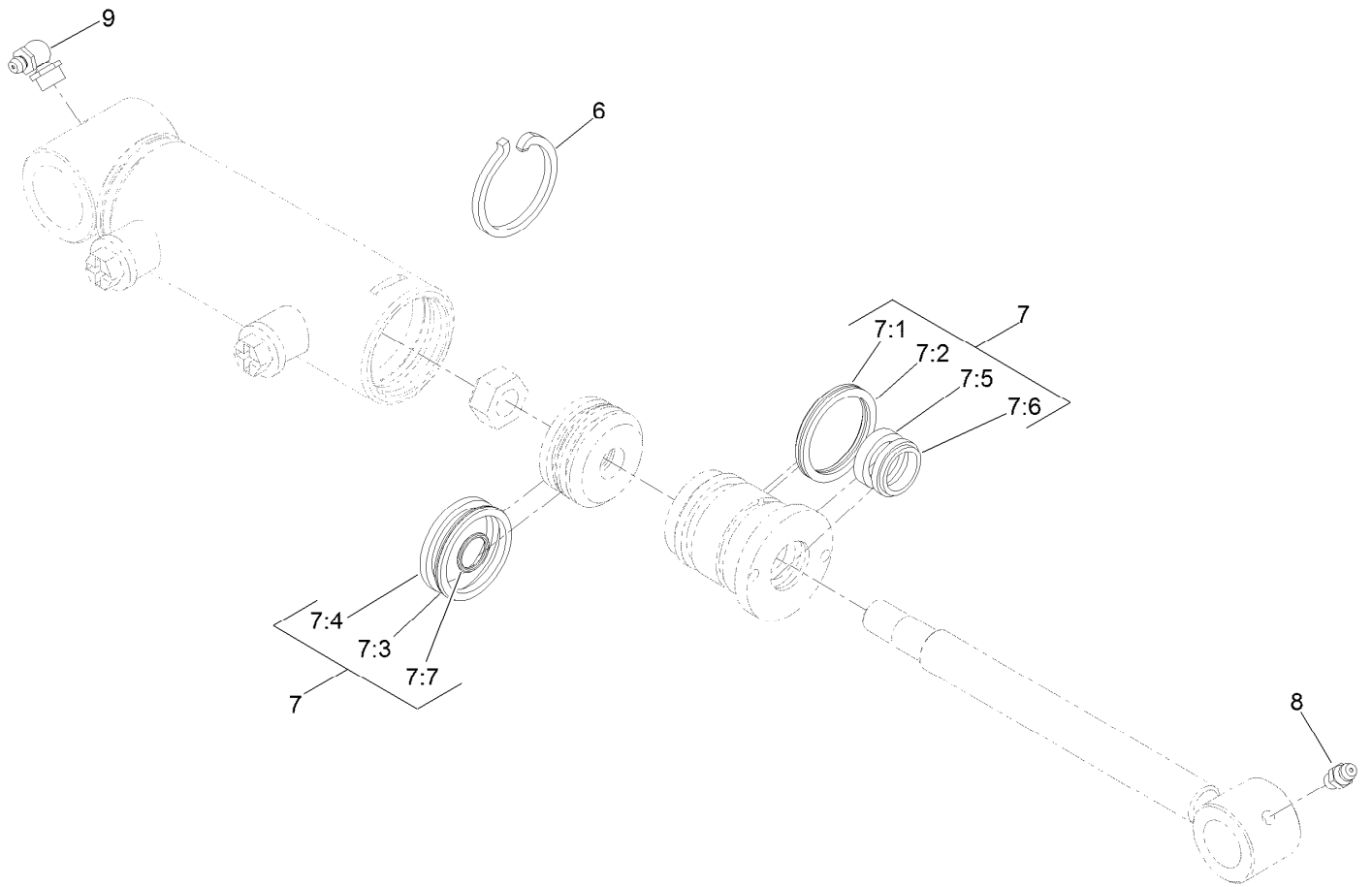
No. 2 and 3 Reel Drive Hydraulic Assembly (continued)

<i>Ref.</i>	<i>Part Number</i>	<i>Qty.</i>	<i>Description</i>	<i>Ref.</i>	<i>Part Number</i>	<i>Qty.</i>	<i>Description</i>
28:2	237-79	1	O-Ring	32:1	237-146	1	O-Ring
29	340-128	1	Nut-Bulkhead	32:2	340-65	1	O-Ring
30	98-3923	1	Oil Filter ASM	33	104-3797	2	Fitting-Straight
30:1	104-0080	1	Filter Head ASM	33:1	237-146	1	O-Ring
30:2	94-2621	1	Element-Filter	33:2	340-65	1	O-Ring
31	108-1699	1	Tube ASM	34	3234-1	2	Screw-HHF
31:1	340-65	1	O-Ring	35	66-8490	1	Hose-HYD
31:2	237-30	1	O-Ring	36	108-1689	1	Hose-HYD
32	340-129	1	Fitting-Elbow, 90 DEG	37	119-1419	2	Plate-Clamp



No. 1, 4 and 5 Lift Arm Hydraulic Assembly

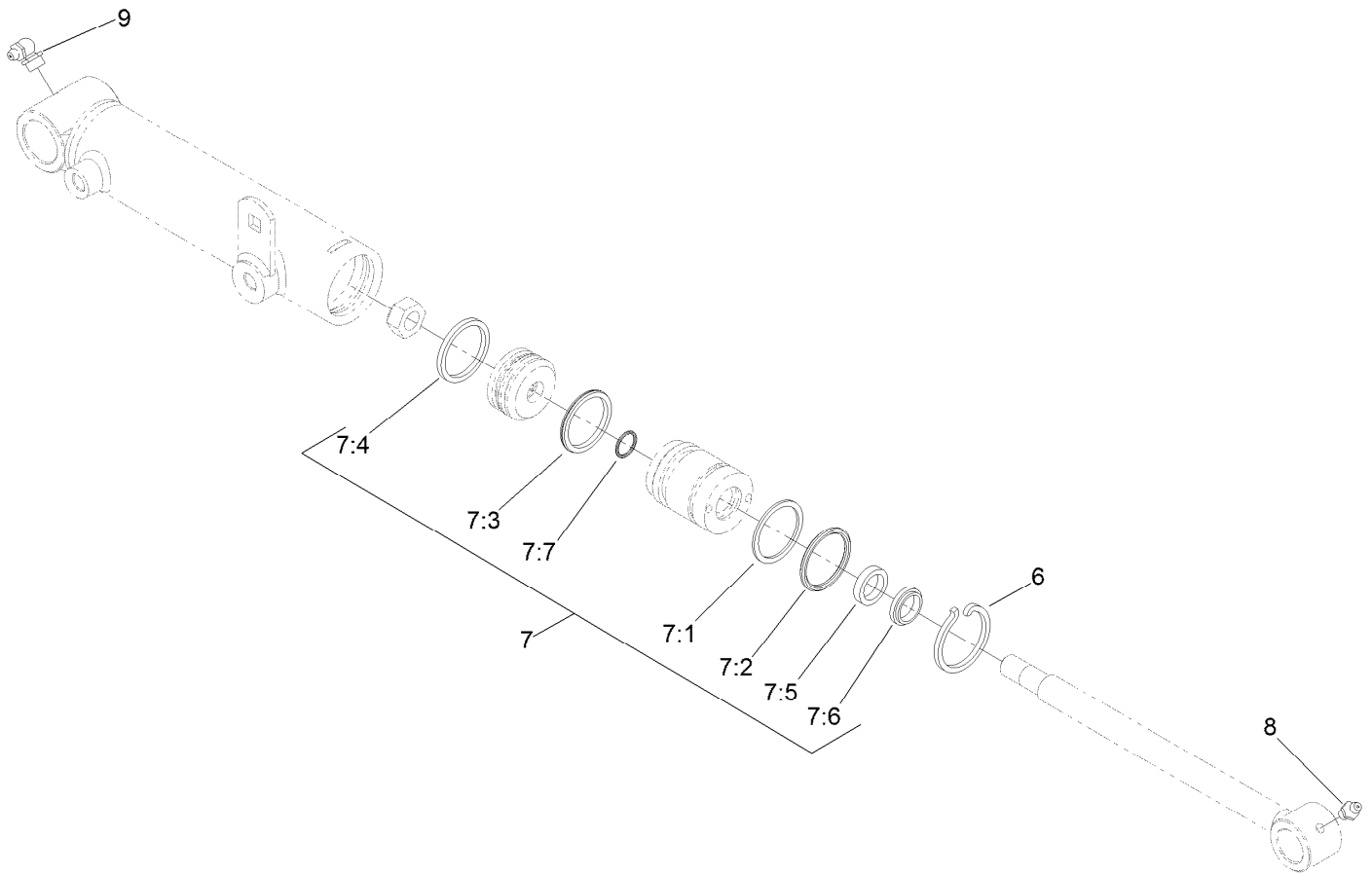
Ref.	Part Number	Qty.	Description	Ref.	Part Number	Qty.	Description
1	138-6999	1	HYD Cylinder ASM	16	104-0046	3	Pin-Slide, Cylinder
2	119-6987	2	HYD Cylinder ASM	17	3290-379	6	Tie-Cable
3	105-7577	1	HYD Lift Block Manifold ASM	18	104-8300	1	Nut-HF, NI
4	340-132	6	Fitting-Elbow, 90 DEG	19	323-9	3	Screw-HH
4:1	237-78	1	O-Ring	20	3296-59	3	Nut-Lock, NI
4:2	237-21	1	O-Ring	21	117-0180	1	Hose-HYD
5	106-3692	1	Hose-HYD	22	59-7410	1	Fitting-Diagnostic
6	106-3693	1	Hose-HYD	22:1	237-42	1	O-Ring
7	93-6887	2	Hose-HYD	23	354-79	1	Cap-Dust
8	85-4940	2	Hose-HYD	24	340-101	1	Fitting-HYD, 45 DEG
9	2412-137	1	Clamp-R, Double	24:1	237-30	1	O-Ring
10	3230-23	1	Bolt-CARR	24:2	237-79	1	O-Ring
11	3234-38	3	Screw-HHF	25	3234-14	2	Screw-HHF
12	3256-6	3	Washer-Flat	26	92-5694	1	Hose-Hydraulic
13	117-0148	3	Pin-Cylinder	27	340-18	1	Fitting-HYD, 90 DEG
14	32120-93	6	Ring-Retaining	27:1	237-79	1	O-Ring
15	3-6498	6	Washer-Thrust	27:2	237-22	1	O-Ring



Hydraulic Cylinder Assembly No. 138-6999

<i>Ref.</i>	<i>Part Number</i>	<i>Qty.</i>	<i>Description</i>
6	84-1680	1	Ring-Retaining
7	133-2900	1	Seal Kit
7:1		1	O-Ring ●
7:2		1	Backup ●
7:3		1	Bp Seal ●
7:4		1	Wear Ring-Ht ●
7:5		1	Bt Seal ●
7:6		1	Dust Seal-Dt ●
7:7		1	O-Ring ●
8	302-5	1	Fitting-Grease
9	302-33	1	Fitting-Grease

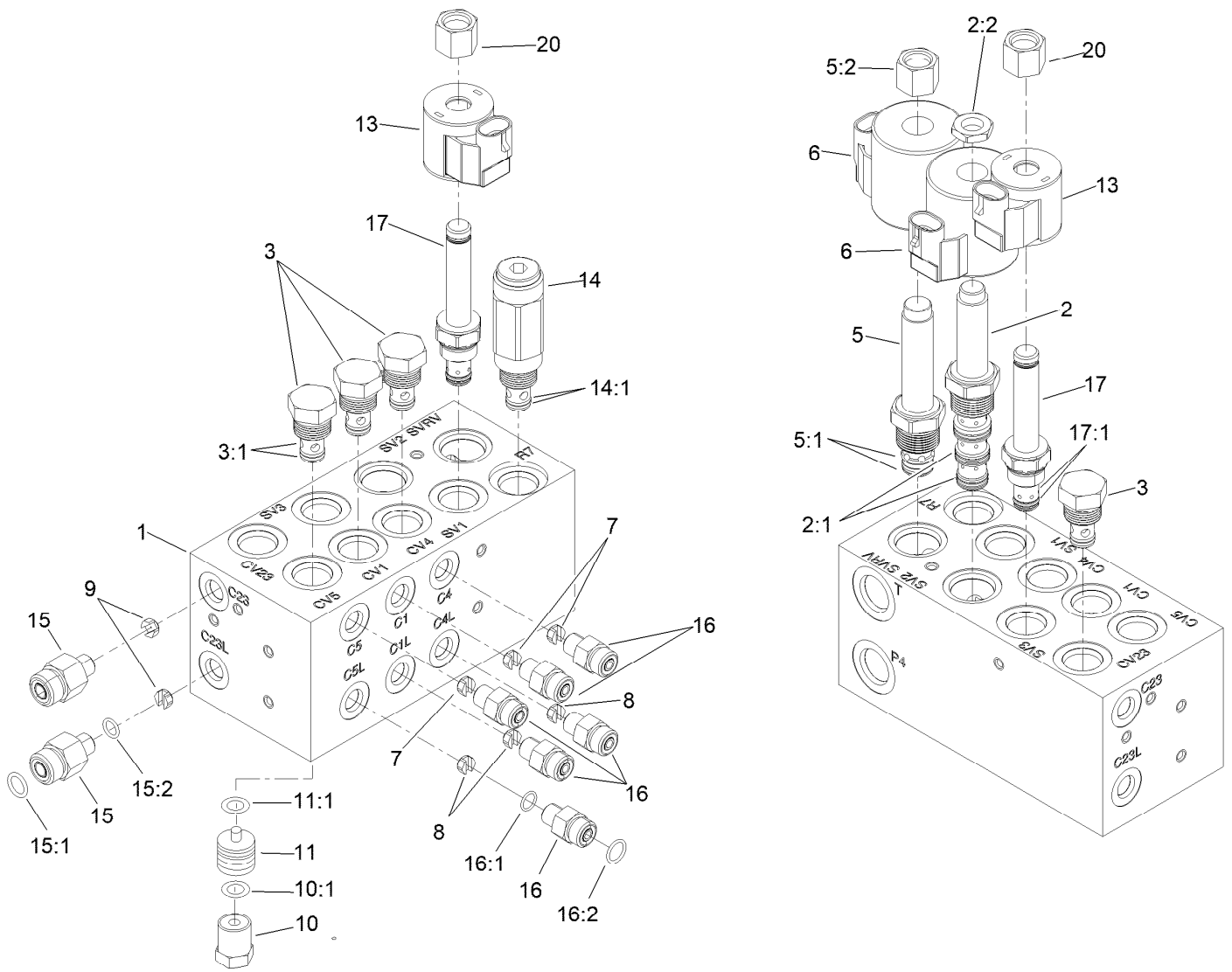
● Not serviced separately



Hydraulic Cylinder Assembly No. 119-6987

Ref.	Part Number	Qty.	Description
6	84-1680	1	Ring-Retaining
7	133-2900	1	Seal Kit
7:1		1	O-Ring ●
7:2		1	Backup ●
7:3		1	Bp Seal ●
7:4		1	Wear Ring-Ht ●
7:5		1	Bt Seal ●
7:6		1	Dust Seal-Dt ●
7:7		1	O-Ring ●
8	302-5	1	Fitting-Grease
9	302-60	1	Fitting-Grease

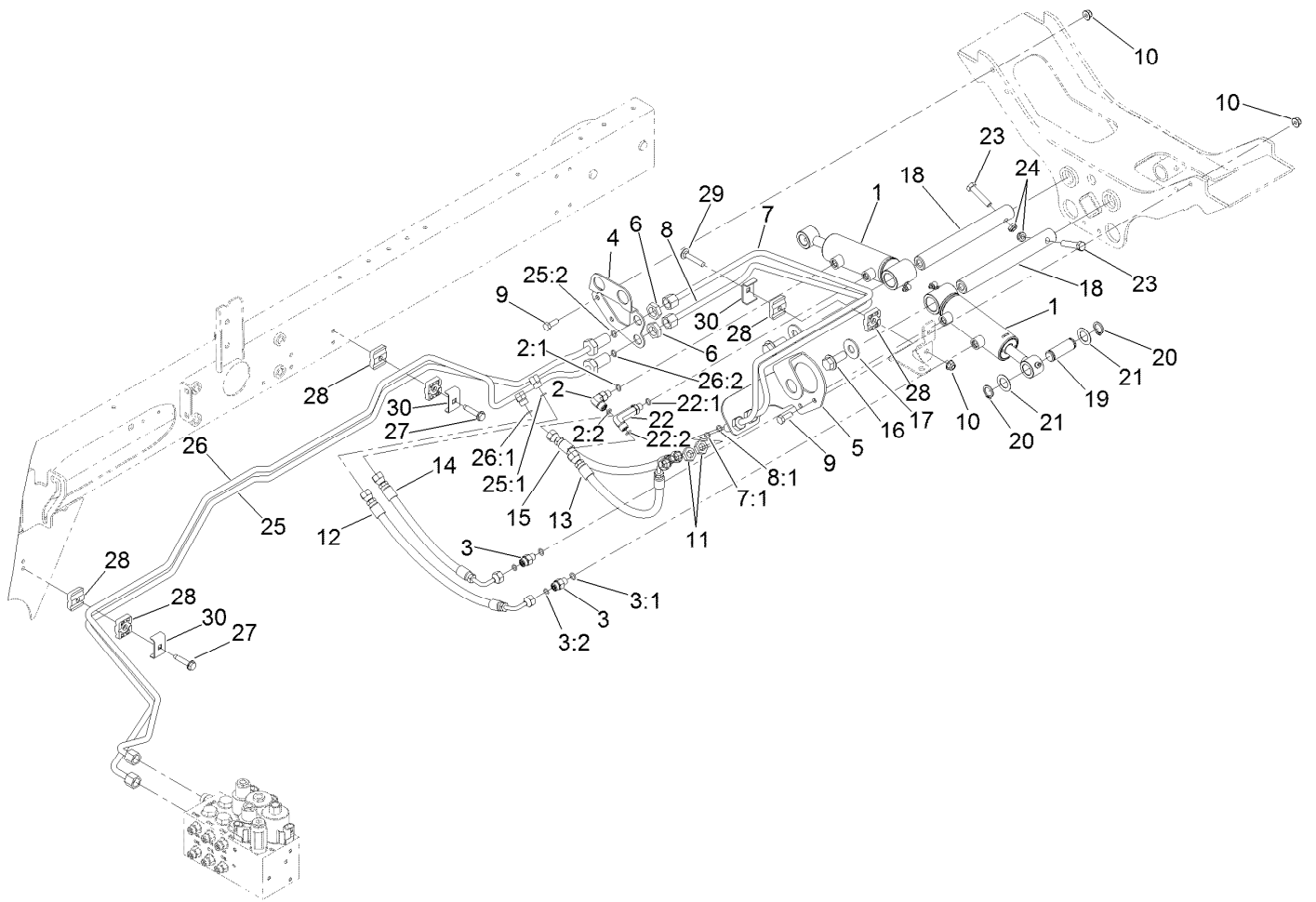
● Not serviced separately



Hydraulic Manifold Block Assembly No. 105-7577

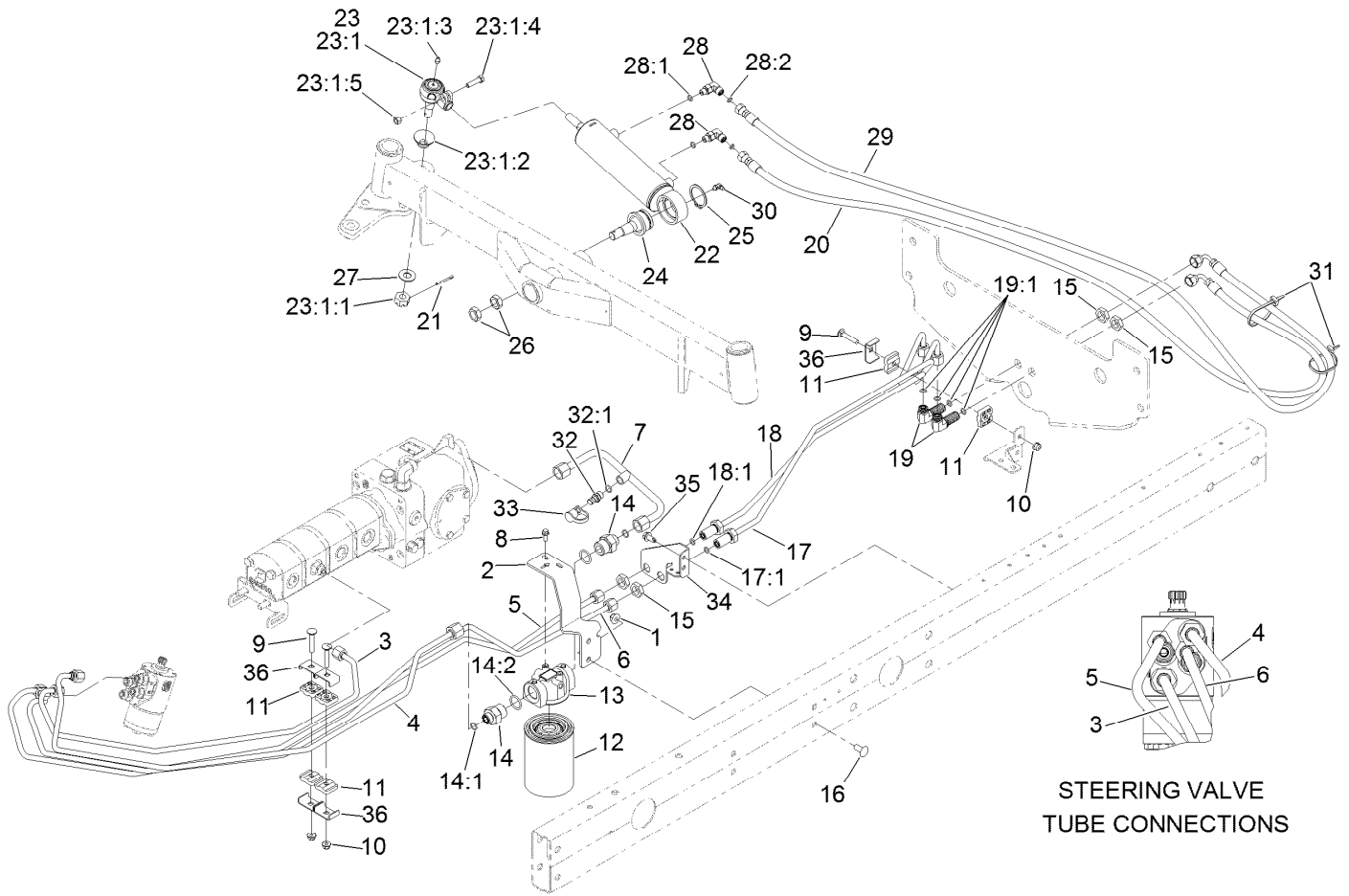
Ref.	Part Number	Qty.	Description	Ref.	Part Number	Qty.	Description
1		1	Block-Manifold ●	11	110-8901	4	Piston-Pilot
2	110-8906	1	Valve-Solenoid	11:1	110-8900	1	O-Ring
2:1	110-8908	1	Spool Valve Seal Kit	13	110-0497	2	Coil-Solenoid
2:2	110-2634	1	Nut-Coil	14	110-8899	1	Valve-Relief
3	110-9006	4	Valve-Check	14:1	105-9156	1	Seal Kit
3:1	105-9156	1	Seal Kit	15	340-88	2	Fitting-Straight
5	110-8905	1	Valve-Relief, Solenoid	15:1	237-22	1	O-Ring
5:1	110-6316	1	Seal Kit	15:2	237-78	1	O-Ring
5:2	130-8180	1	Nut-Coil (9/16-24 Unef-2B)	16	340-92	6	Fitting-Straight
6	110-6344	2	Coil-12V, DC	16:1	237-78	1	O-Ring
7	110-8904	3	Orifice-Control, Flow (0.028)	16:2	237-21	1	O-Ring
8	110-8903	3	Orifice-Control, Flow (0.055)	17	147-3090	2	Valve-Solenoid
9	110-8902	2	Orifice-Control, Flow (0.046)	17:1	107-7527	1	Seal Kit
10	354-70	4	Plug-Hex, Hollow	20	107-7812	2	Nut-Solenoid
10:1	237-80	1	O-Ring				

● Not serviced separately



Rear Lift Hydraulic Assembly

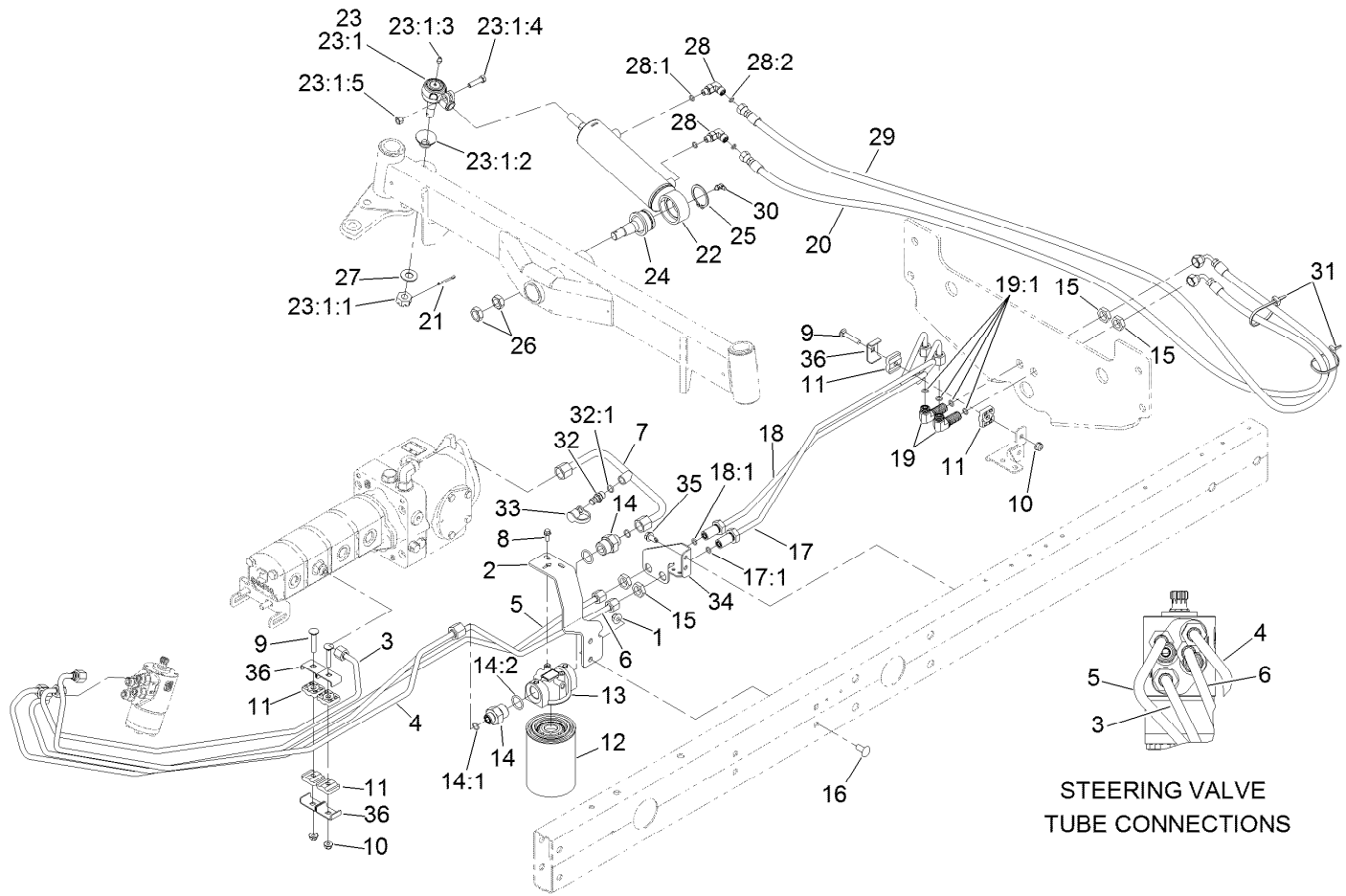
Ref.	Part Number	Qty.	Description	Ref.	Part Number	Qty.	Description
1	138-6999	2	HYD Cylinder ASM	16	3234-38	2	Screw-HHF
2	340-132	1	Fitting-Elbow, 90 DEG	17	3256-6	2	Washer-Flat
2:1	237-78	1	O-Ring	18	117-0148	2	Pin-Cylinder
2:2	237-21	1	O-Ring	19	104-0046	2	Pin-Slide, Cylinder
3	340-92	2	Fitting-Straight	20	32120-93	4	Ring-Retaining
3:1	237-78	1	O-Ring	21	3-6498	4	Washer-Thrust
3:2	237-21	1	O-Ring	22	100-7695	1	Fitting-Elbow 90
4	120-3782-0P	1	Brkt-Bulhead, RH	22:1	237-78	1	O-Ring
5	110-0917-0P	1	Bracket-Bulkhead, LH	22:2	237-21	1	O-Ring
6	340-70	2	Nut-Lock	23	323-9	2	Screw-HH
7	133-2987	1	Tube-ASM	24	3296-59	2	Nut-Lock, NI
7:1	237-21	1	O-Ring	25	120-3766	1	HYD Tube ASM
8	133-2986	1	Tube-ASM	25:1	237-21	1	O-Ring
8:1	237-21	1	O-Ring	25:2	237-22	1	O-Ring
9	322-4	4	Screw-HH	26	120-3771	1	HYD Tube ASM
10	104-8300	5	Nut-HF, NI	26:1	237-21	1	O-Ring
11	340-78	2	Nut-Lock	26:2	237-22	1	O-Ring
12	110-0930	1	Hose-HYD	27	32144-57	2	Screw
13	110-8966	1	Hose-HYD	28	56-7973	6	Clamp-Tube
14	110-0929	1	Hose-HYD	29	94-5780	1	Screw-HWH
15	110-0931	1	Hose-HYD	30	119-1418	3	Plate-Clamp, Short



Steering Hydraulic Assembly

Ref.	Part Number	Qty.	Description	Ref.	Part Number	Qty.	Description
1	104-8301	2	Nut-HF, NI	17	133-2988	1	Tube ASM
2	110-0906-0P	1	Support - Filter, Oil	17:1	237-22	1	O-Ring
3	108-1710	1	Tube ASM	18	133-2989	1	Tube ASM
4	108-1711	1	Tube-HYD	18:1	237-22	1	O-Ring
5	120-3764	1	Tube-HYD	19	340-154	2	Union-Bulkhead
6	120-3765	1	Tube-HYD	19:1	237-22	2	O-Ring
7	121-5601	1	Tube-HYD	20	110-0928	1	Hose-HYD
8	3234-33	2	Screw-HHF	21	3272-12	1	Pin-Cotter
9	94-5780	3	Screw-HWH	22	110-9035	1	HYD Cylinder ASM
10	104-8300	3	Nut-HF, NI	23	106-6895-03	1	Ball Joint ASM
11	56-7973	6	Clamp-Tube	23:1		1	Joint-Ball ●
12	86-3010	1	Filter-Oil	23:1:1	32136-13	1	Nut-SHH
13	117-5820	1	Head-Filter	23:1:2	106-6896	1	Seal
14	100-4240	2	Fitting-STR	23:1:3	302-5	1	Fitting-Grease
14:1	237-30	1	O-Ring	23:1:4	3210-7	1	Screw-HH
14:2	237-81	1	O-Ring	23:1:5	32152-5	1	Nut-Hex
15	340-70	4	Nut-Lock	24	106-6774	1	Joint-Ball
16	3231-27	2	Screw-CARR	25	32151-104	1	Ring-Retaining, External

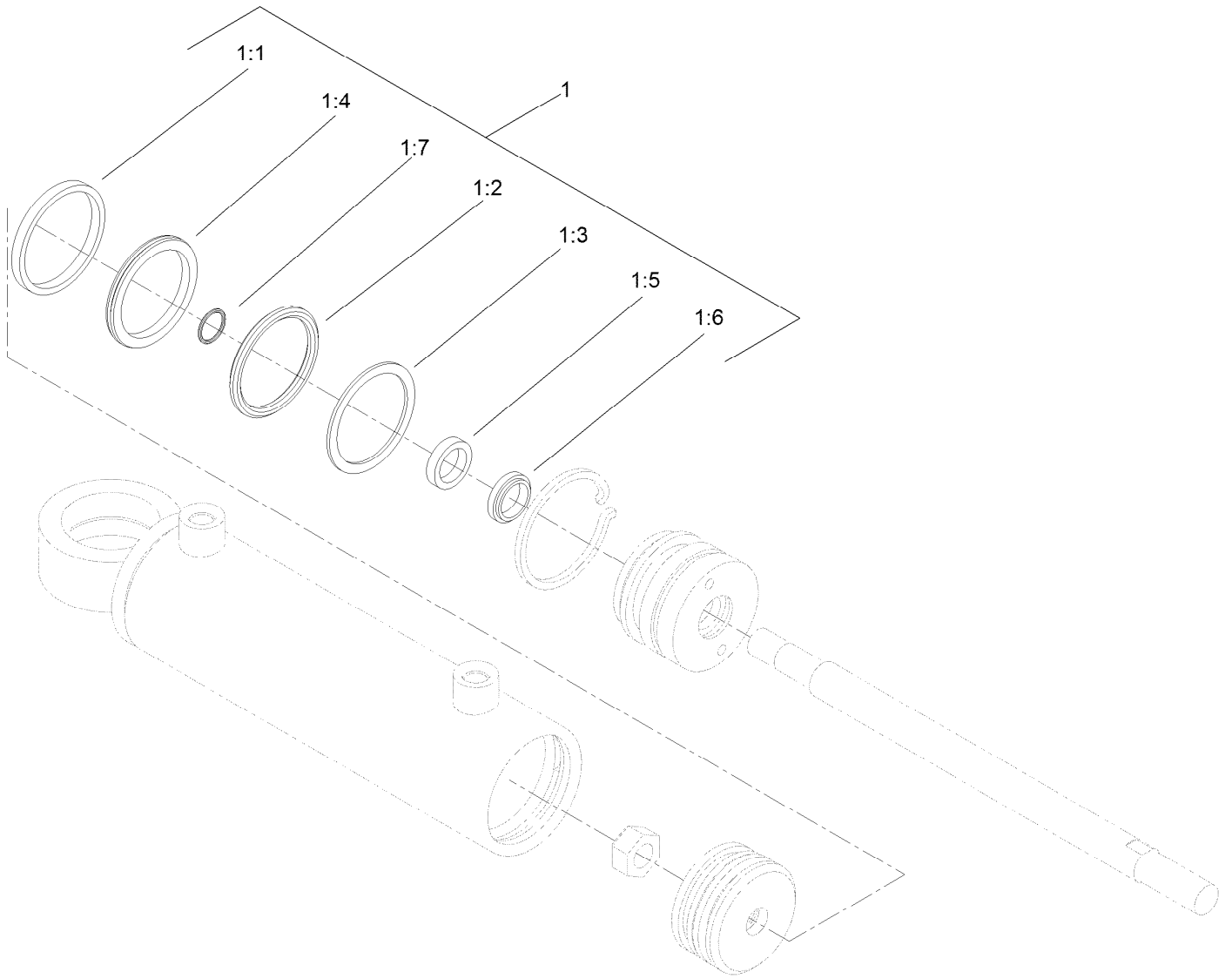
● Not serviced separately



Steering Hydraulic Assembly (continued)

<i>Ref.</i>	<i>Part Number</i>	<i>Qty.</i>	<i>Description</i>	<i>Ref.</i>	<i>Part Number</i>	<i>Qty.</i>	<i>Description</i>
26	3220-6	2	Nut-Jam	31	3290-378	2	Tie-Cable
27	69-8980	1	Washer	32	59-7410	1	Fitting-Diagnostic
28	340-132	2	Fitting-Elbow, 90 DEG	32:1	237-42	1	O-Ring
28:1	237-78	1	O-Ring	33	354-79	1	Cap-Dust
28:2	237-21	1	O-Ring	34	120-3781-0P	1	Brkt-Bulhead Steer
29	110-0973	1	Hose-HYD	35	32104-32	2	Screw-HWH
30	302-40	1	Fitting-Grease, 90 DEG	36	119-1418	3	Plate-Clamp, Short

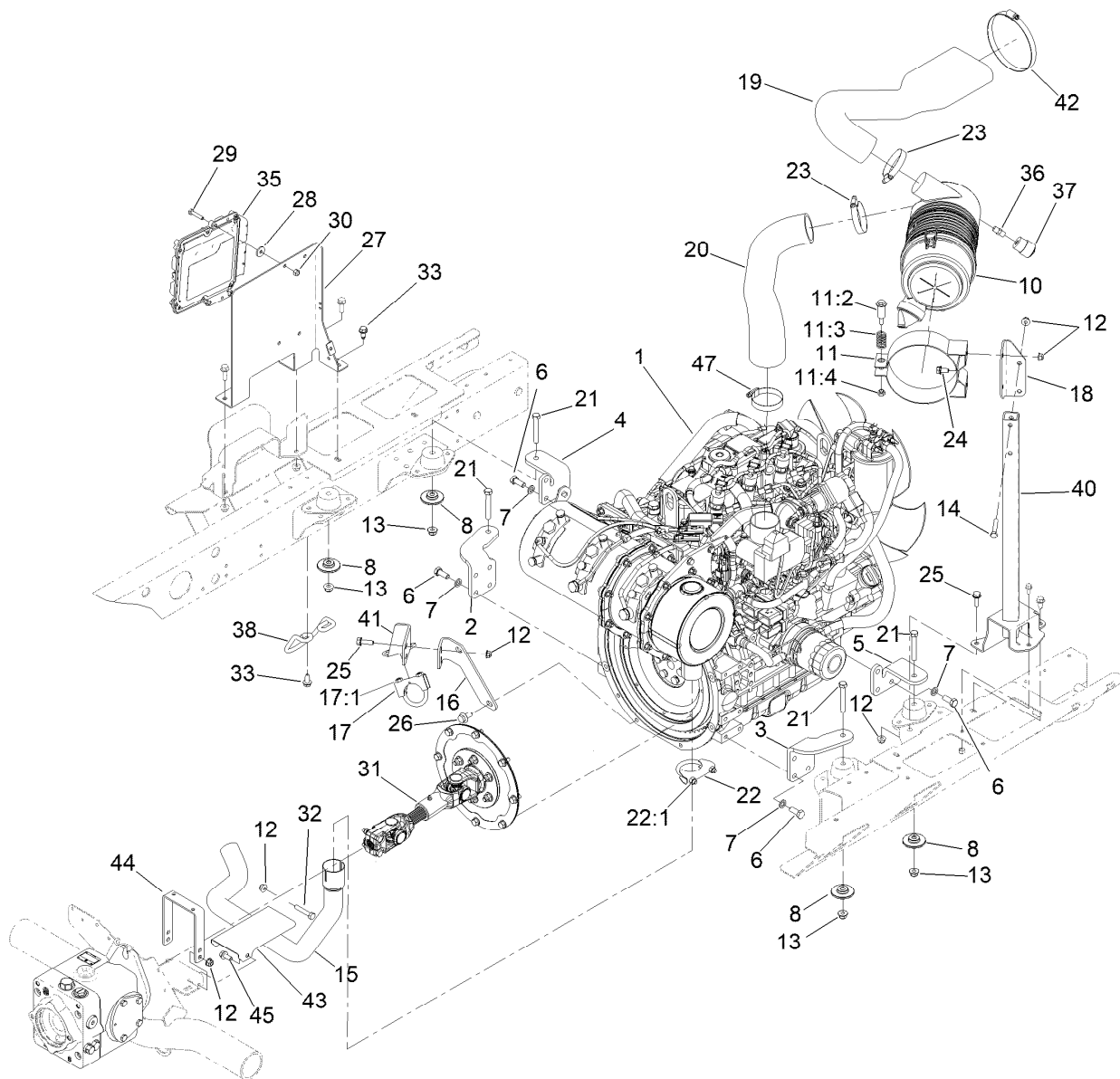
● Not serviced separately



Hydraulic Cylinder Assembly No. 110-9035

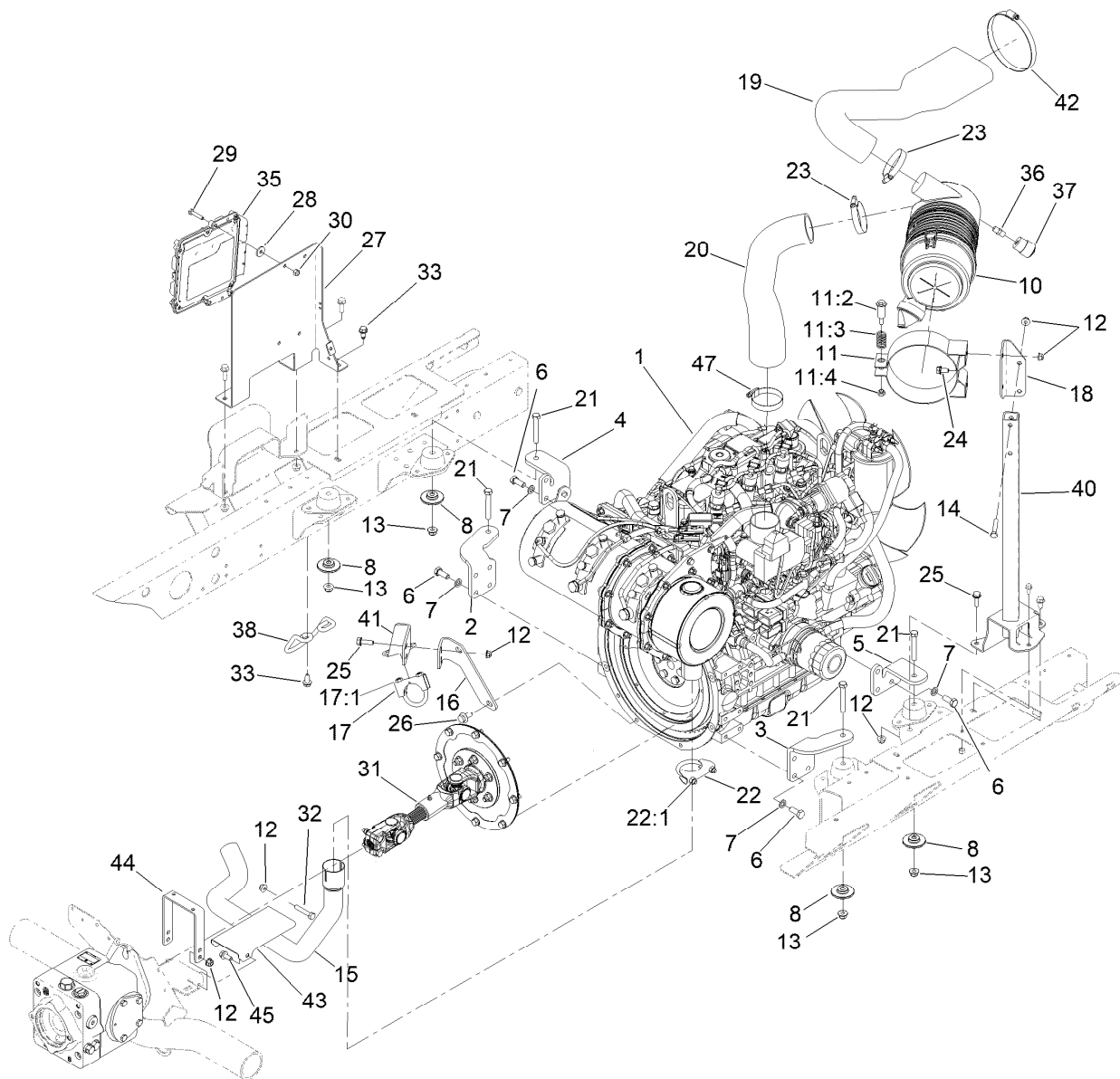
<i>Ref.</i>	<i>Part Number</i>	<i>Qty.</i>	<i>Description</i>
1	114-8875	1	Seal Kit
1:1		1	O-Ring ●
1:2		1	Backup ●
1:3		1	Bp Seal ●
1:4		1	Wear Ring ●
1:5		1	Bt Seal ●
1:6		1	Dust Seal ●
1:7		1	O-Ring ●

● Not serviced separately



Engine, Air Cleaner and Drive Shaft Assembly

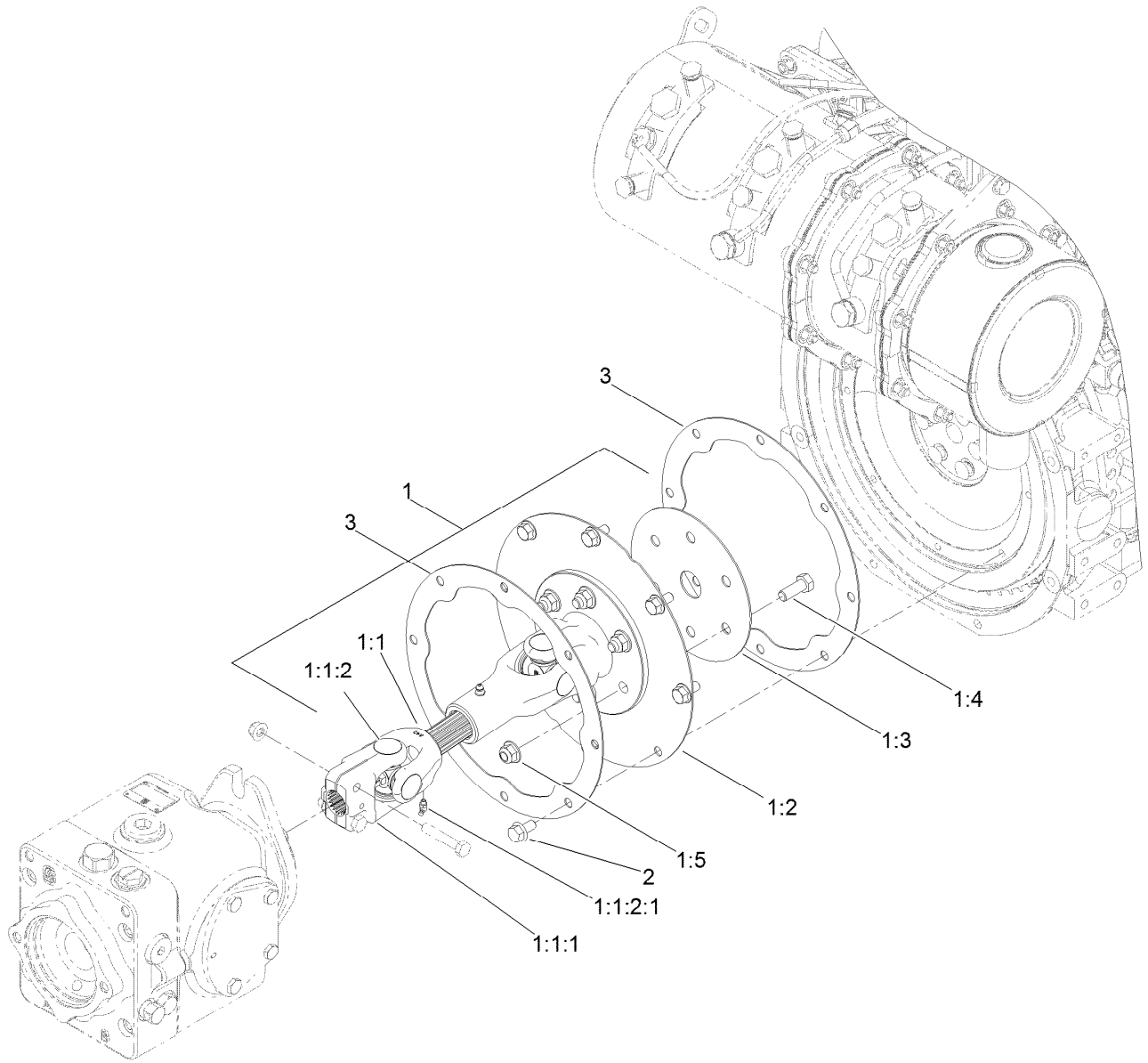
Ref.	Part Number	Qty.	Description	Ref.	Part Number	Qty.	Description
1	138-6915	1	Engine-Yanmar, 3Tnv88C-Dtr	18	120-6298-0P	1	Bracket-Aircleaner
2	120-3777-0P	1	Mount-Engine Rf	19	121-5559	1	Hose-Air Cleaner
3	120-3778-0P	1	Mount-Engine Lf	20	120-3786	1	Hose-Air Cleaner
4	120-3779-0P	1	Mount-Engine Rr	21	323-14	4	Screw-HH
5	120-3780-0P	1	Mount-Engine Lr	22	2112-6	1	Clamp-Muffler
6	33115-025	14	Screw-HH	22:1	3218-2	2	Nut-Hex Jam
7	48-9590	14	Washer-Lock	23	2412-130	2	Clamp-Hose
8	138-6462	4	Support-Isolator	24	3234-14	2	Screw-HHF
10	106-5277	1	Air Cleaner ASM	25	3234-29	4	Screw-HHF
11	100-4825	1	Band-Mounting, Air Cleaner	26	33105-020	2	Screw-HHF
11:2	94-3653	1	Bolt	27	122-0898-0P	1	Bracket-Ecu
11:3	94-3654	1	Spring	28	66-2921	4	Washer-Friction
11:4	33024-00	1	Nut-Lock, NI	29	321-8	4	Screw-HH
12	104-8300	12	Nut-HF, NI	30	3296-42	4	Nut-Lock, NI
13	104-8301	4	Nut-HF, NI	31	133-2996	1	Driveshaft Kit
14	322-10	2	Screw-HH	32	322-9	2	Screw-HH
15	125-8765	1	Tube-Exhaust	33	32104-32	3	Screw-HWH
16	125-8763-0P	1	Bracket-Tailpipe	35	121-5592	1	Electronic Control Unit
17	2112-9	1	Clamp	36	94-1416	1	Adapter-Indicator
17:1	32128-20	2	Nut-HF	37	93-9164	1	Indicator-Mini
				38	127-2612	1	Guard-Pipe, Tail



Engine, Air Cleaner and Drive Shaft Assembly (continued)

Ref.	Part Number	Qty.	Description
40	120-2949-0P	1	Stand ASM [primed]
41	125-8764-0P	1	Bracket-Tailpipe
42	2412-46	1	Clamp
43	125-8766-0P	1	Shield-Heat

Ref.	Part Number	Qty.	Description
44	108-1799-0P	1	Hoop - Guard
45	3234-5	2	Screw-HHF
47	2412-53	1	Clamp-Drive, Worm

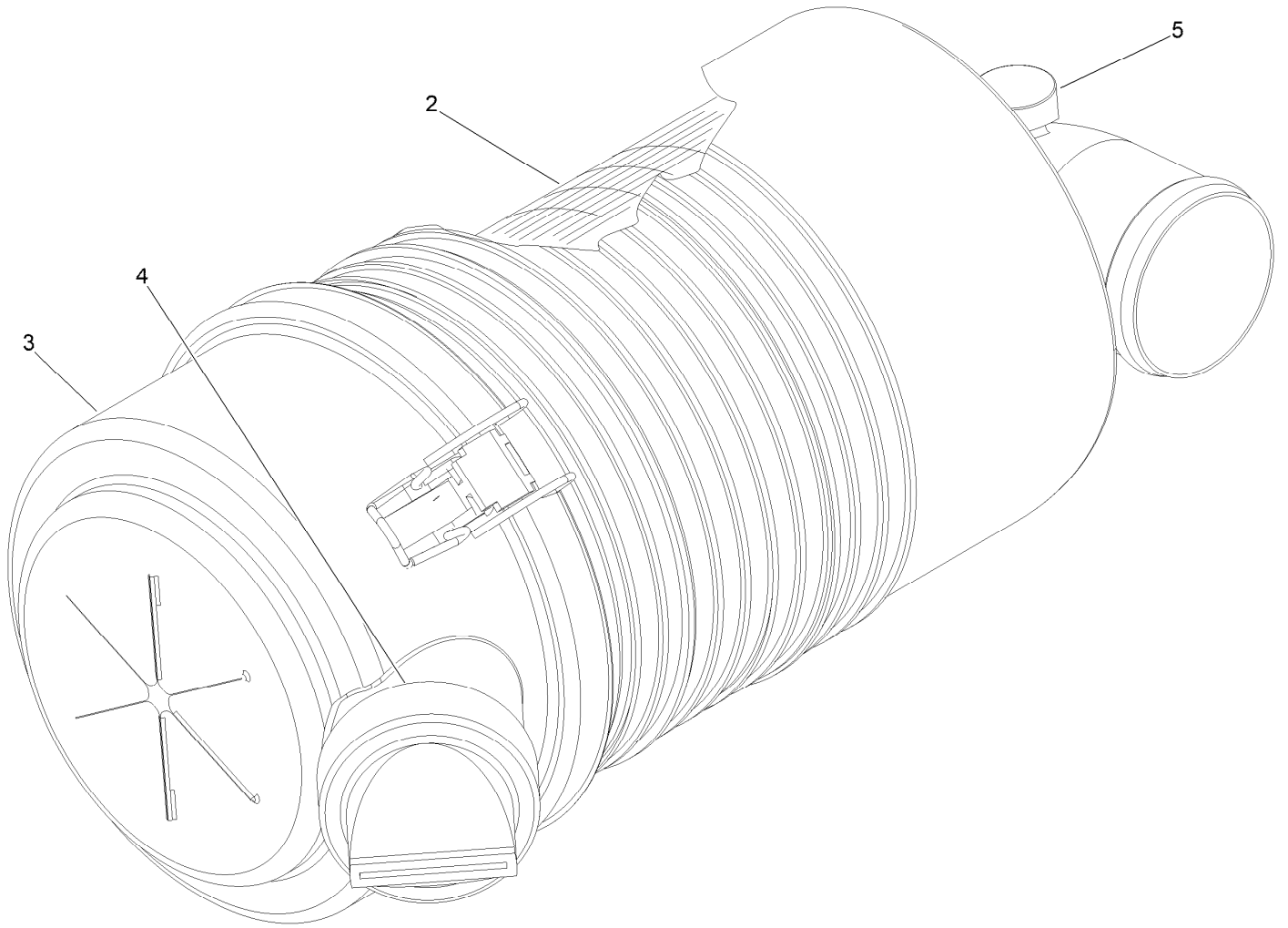


Driveshaft Kit Assembly No. 133-2996

Ref.	Part Number	Qty.	Description
1		1	Driveshaft ASM ●
1:1		1	Driveshaft ●
1:1:1	54-9040	1	Yoke-End
1:1:2	54-9180	2	U-Joint Kit
1:1:2:1	62-3820	1	Fitting-Grease
1:2	138-6933-0P	1	Plate-Flywheel Adapter
1:3	133-2963-0P	1	Ring-Backup
1:4	323-6	6	Screw-HH
1:5	104-8301	6	Nut-HF, NI
2	33104-016	8	Screw-HHF
3	136-8040-0P	2	Ring - Backup

● Not serviced separately

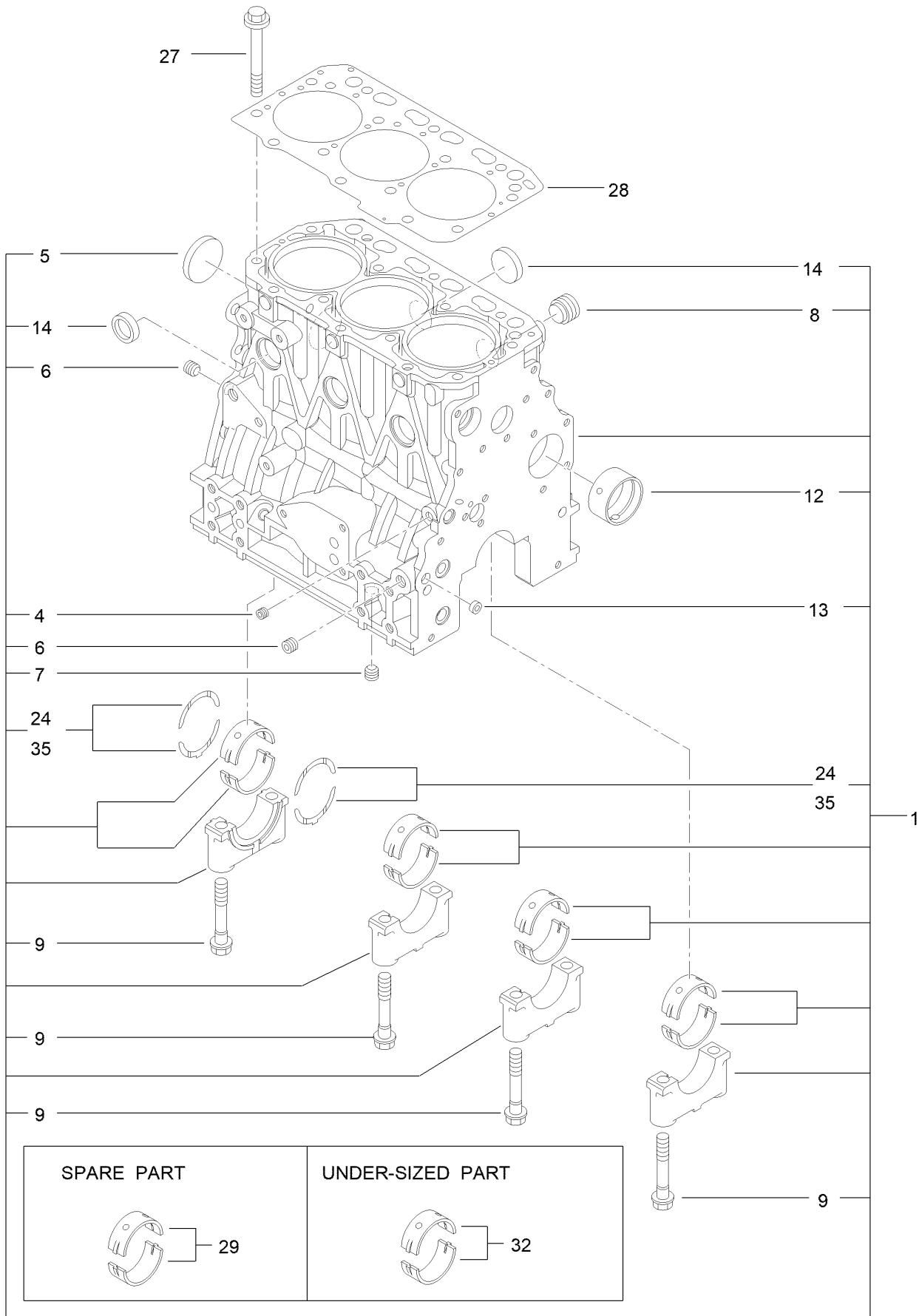
Air Cleaner Assembly No. 106-5277



Air Cleaner Assembly No. 106-5277 (continued)

<i>Ref.</i>	<i>Part Number</i>	<i>Qty.</i>	<i>Description</i>	<i>Ref.</i>	<i>Part Number</i>	<i>Qty.</i>	<i>Description</i>
2	108-3810	1	Filter-Air	4	87-9400	1	Valve-Vacuator
3	98-9771	1	Cover ASM	5	285-17	1	Plug-Pipe

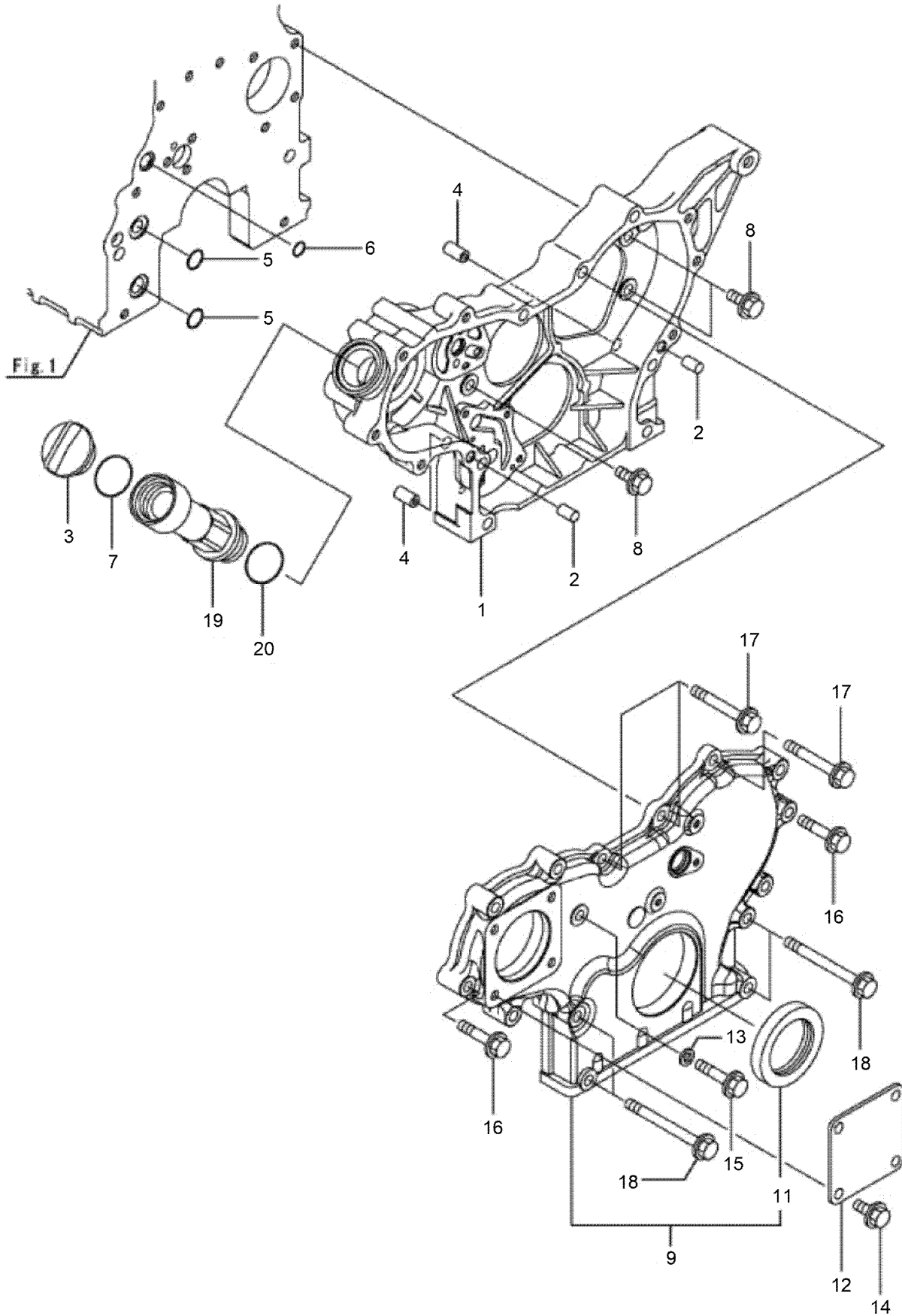
Cylinder Block Assembly



Cylinder Block Assembly (continued)

<i>Ref.</i>	<i>Part Number</i>	<i>Qty.</i>	<i>Description</i>	<i>Ref.</i>	<i>Part Number</i>	<i>Qty.</i>	<i>Description</i>
1	127-4717	1	Cylinder Block ASM	13	125-7237	1	Plug
4	125-6969	1	Plug	14	125-7239	6	Plug
5	125-6980	1	Plug	24	125-7010	2	Metal-Thrust
6	125-6973	2	Plug	27	125-7006	14	Bolt
7	125-6973	1	Plug	28	127-4716	1	Head Gasket ASM
8	125-7170	1	Plug	29	125-6981	4	Metal-Main
9	125-7007	8	Bolt	32	125-7009	4	Metal-Main (0.25)
12	125-7108	1	Bushing	35	125-7011	1	Metal-Thrust (0.25)

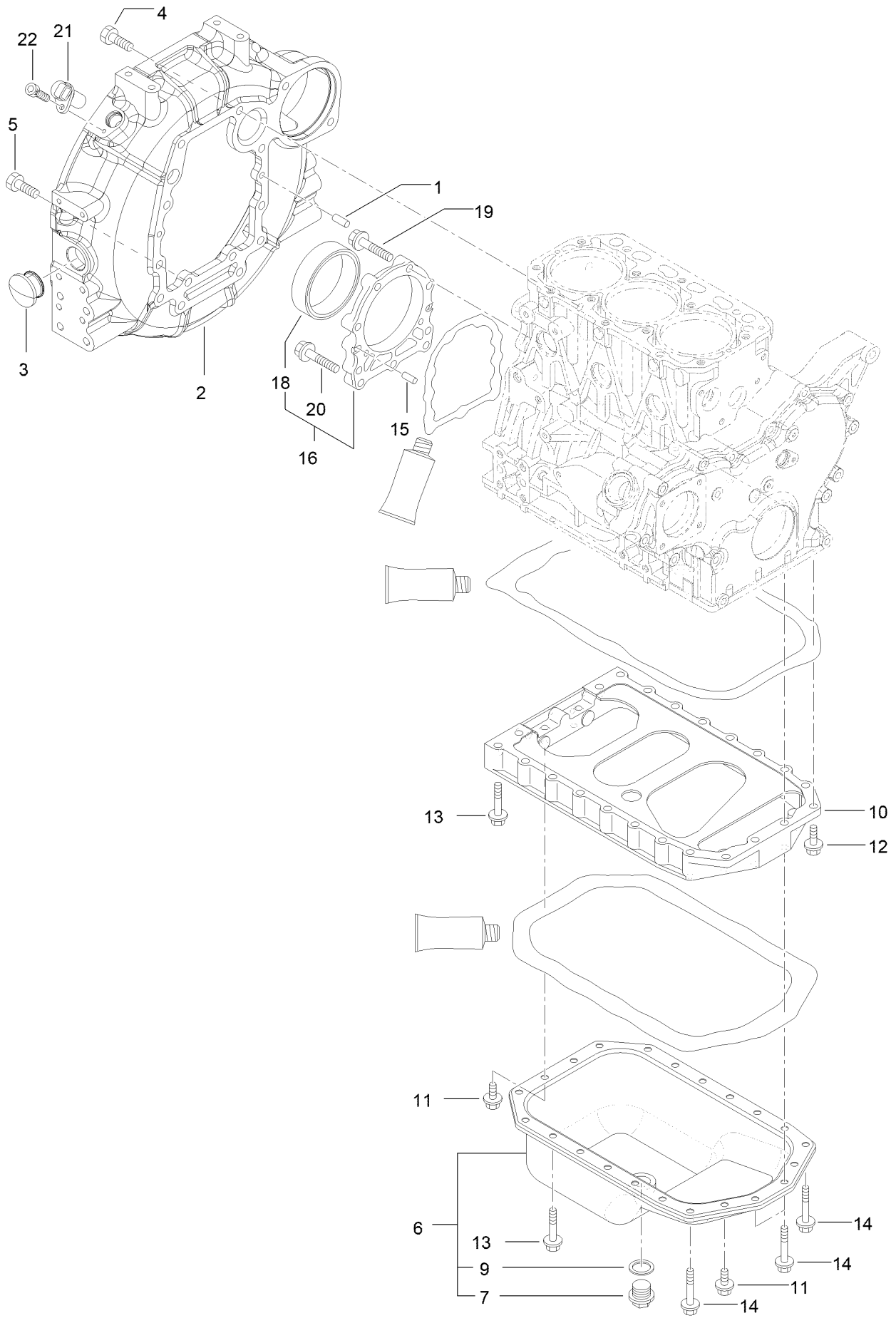
Gear Housing Assembly



Gear Housing Assembly (continued)

<i>Ref.</i>	<i>Part Number</i>	<i>Qty.</i>	<i>Description</i>	<i>Ref.</i>	<i>Part Number</i>	<i>Qty.</i>	<i>Description</i>
1	127-3023	1	Case-Gear	12	125-6977	1	Cover
2	125-6995	2	Pin	13	125-7174	1	Washer-Seal
3	125-6972	1	Cover-Filler	14	100-6928	4	Bolt
4	125-7107	2	Pipe	15	125-7217	1	Bolt
5	125-6909	2	O-Ring	16	125-7218	7	Bolt
6	127-2973	1	O-Ring	17	125-7222	3	Bolt
7	125-7197	1	O-Ring	18	125-7224	4	Bolt
8	100-6928	3	Bolt	19	127-3754	1	Pipe
9	127-3024	1	Gearcase Cover ASM	20	125-7197	1	O-Ring
11	125-6944	1	Seal-Oil				

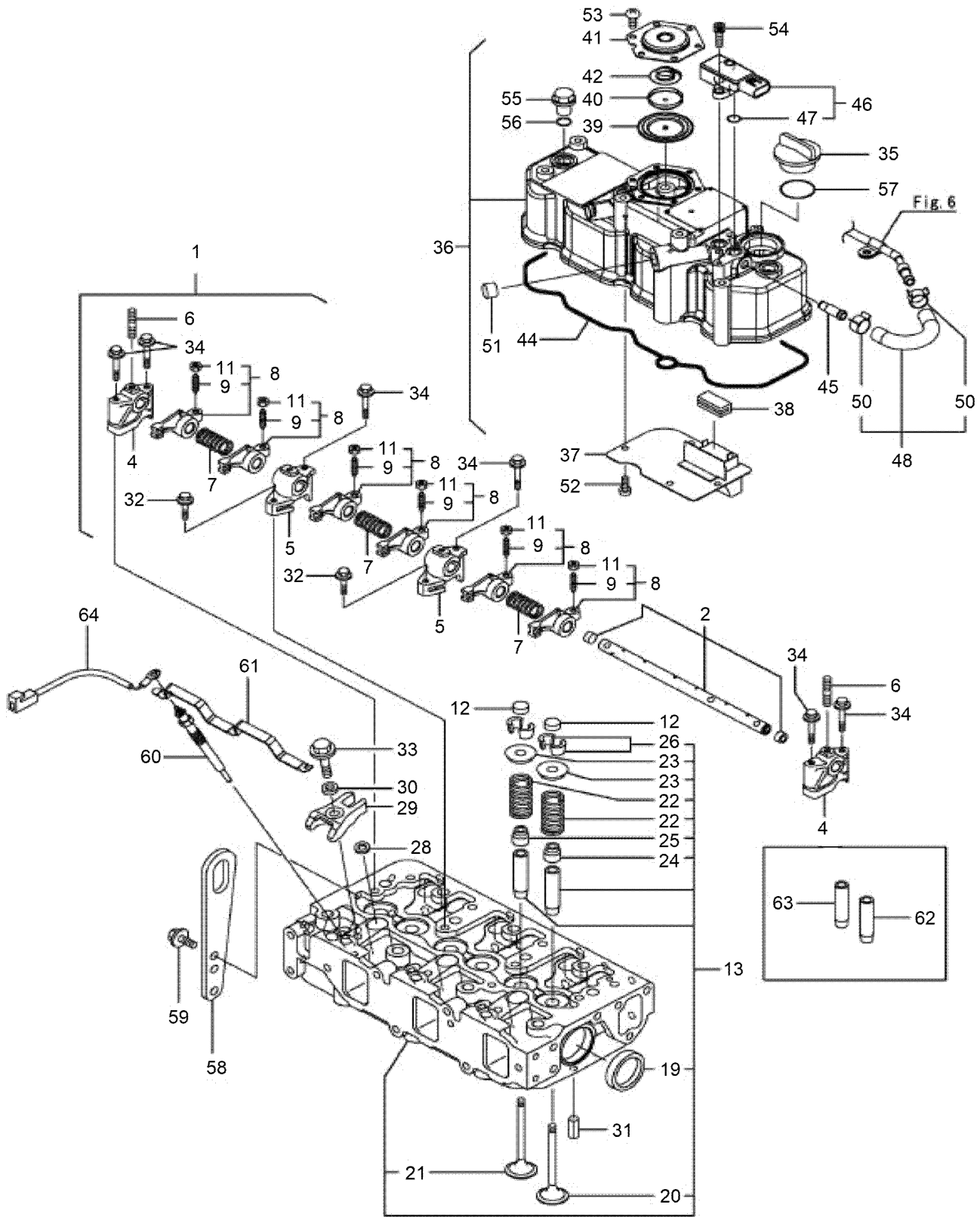
Flywheel Housing and Oil Sump Assembly



Flywheel Housing and Oil Sump Assembly (continued)

<i>Ref.</i>	<i>Part Number</i>	<i>Qty.</i>	<i>Description</i>	<i>Ref.</i>	<i>Part Number</i>	<i>Qty.</i>	<i>Description</i>
1	125-6995	2	Pin	12	125-7215	2	Bolt
2	127-3025	1	Housing-Flywheel	13	125-7219	16	Bolt
3	125-6910	1	Cap	14	125-7220	4	Bolt
4	125-7226	6	Bolt	15	125-6995	2	Pin
5	125-7227	4	Bolt	16	125-6996	1	Case ASM
6	127-3755	1	Oil Pan ASM	18	125-7106	1	Seal-Oil
7	125-6912	1	Plug-Drain	19	125-7045	6	Bolt
9	125-7177	1	Washer-Seal	20	125-7217	3	Bolt
10	127-3756	1	Spacer	21	127-3062	1	Sensor-Rev, Flywheel
11	100-6928	4	Bolt	22	127-3184	1	Bolt

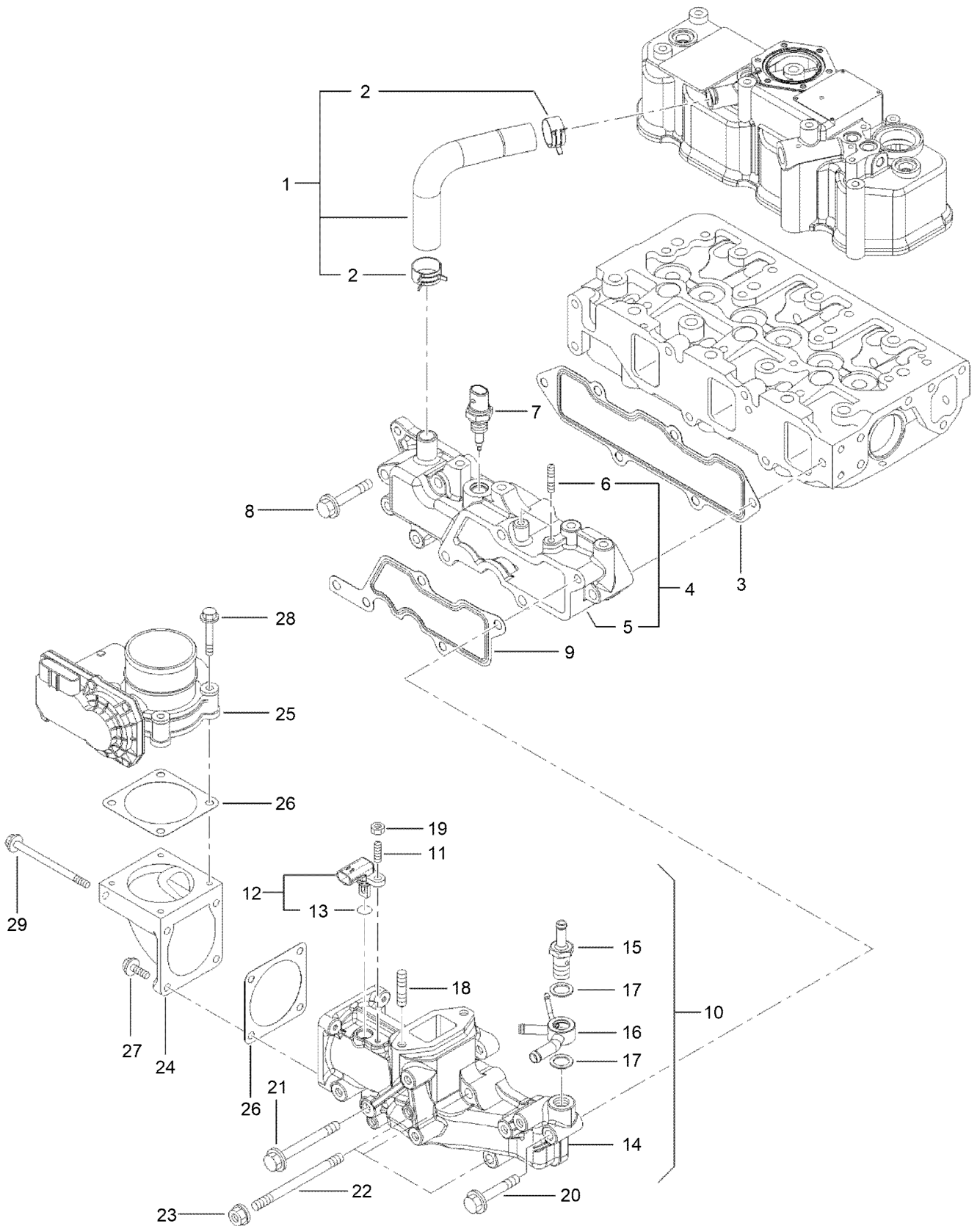
Cylinder Head Assembly



Cylinder Head Assembly (continued)

<i>Ref.</i>	<i>Part Number</i>	<i>Qty.</i>	<i>Description</i>	<i>Ref.</i>	<i>Part Number</i>	<i>Qty.</i>	<i>Description</i>
1	127-3757	1	Shaft ASM	36	127-4719	1	Cylinder Head Cover ASM
2	127-3758	1	Shaft	37	127-2988	1	Plate
4	127-2974	2	Support	38	125-7012	1	Baffle
5	127-2975	2	Support	39	125-6959	1	Diaphragm
6	135-4012	3	Bolt,Stud	40	125-6960	1	Plate
7	127-2995	3	Spring	41	125-6961	1	Plate-Breather
8	127-2989	6	Arm-Rocker	42	125-6962	1	Spring-Diaphragm
9	125-7013	6	Screw-Adjust, Valve	44	127-3856	1	Gasket-Valve Cover
11	125-7014	6	Nut	45	127-3026	1	Joint
12	127-2996	6	Cap-Valve	46	127-3029	1	Sensor-Pressure
13	139-6014	1	Cylinder Head ASM	47	127-3032	2	O Ring-Sensor, Pressure
19	125-7240	2	Plug	48	127-3040	1	Hose ASM
20	127-2990	3	Valve	50	127-3041	2	Clip-Hose
21	127-4710	3	Valve	51	125-6913	1	Plug
22	127-3012	6	Spring	52	125-7186	4	Screw
23	127-3013	6	Retainer-Spring	53	125-7186	6	Screw
24	127-2986	3	Seal-Stem, Valve	54	127-3184	2	Bolt
25	127-3027	3	Seal-Stem, Valve	55	125-6974	3	Knob
26	127-3186	6	Pin-Cotter	56	93-0418	3	O-Ring
28	127-3021	3	Gasket-Injector	57	125-7197	1	O-Ring
29	127-3028	3	Retainer-Injector	58	125-7111	1	Lifter
30	127-2980	3	Washer-Injector	59	100-6928	2	Bolt
31	125-7184	2	Pin-Spring	60	127-2991	3	Plug-Glow
32	125-7215	2	Bolt	61	127-3768	1	Connector-Plug, Glow
33	125-7217	3	Bolt	62	127-2979	3	Guide
34	125-7220	6	Bolt	63	127-2997	3	Guide-Valve
35	125-6972	1	Cover-Filler	64	131-2704	1	Harness-Wire

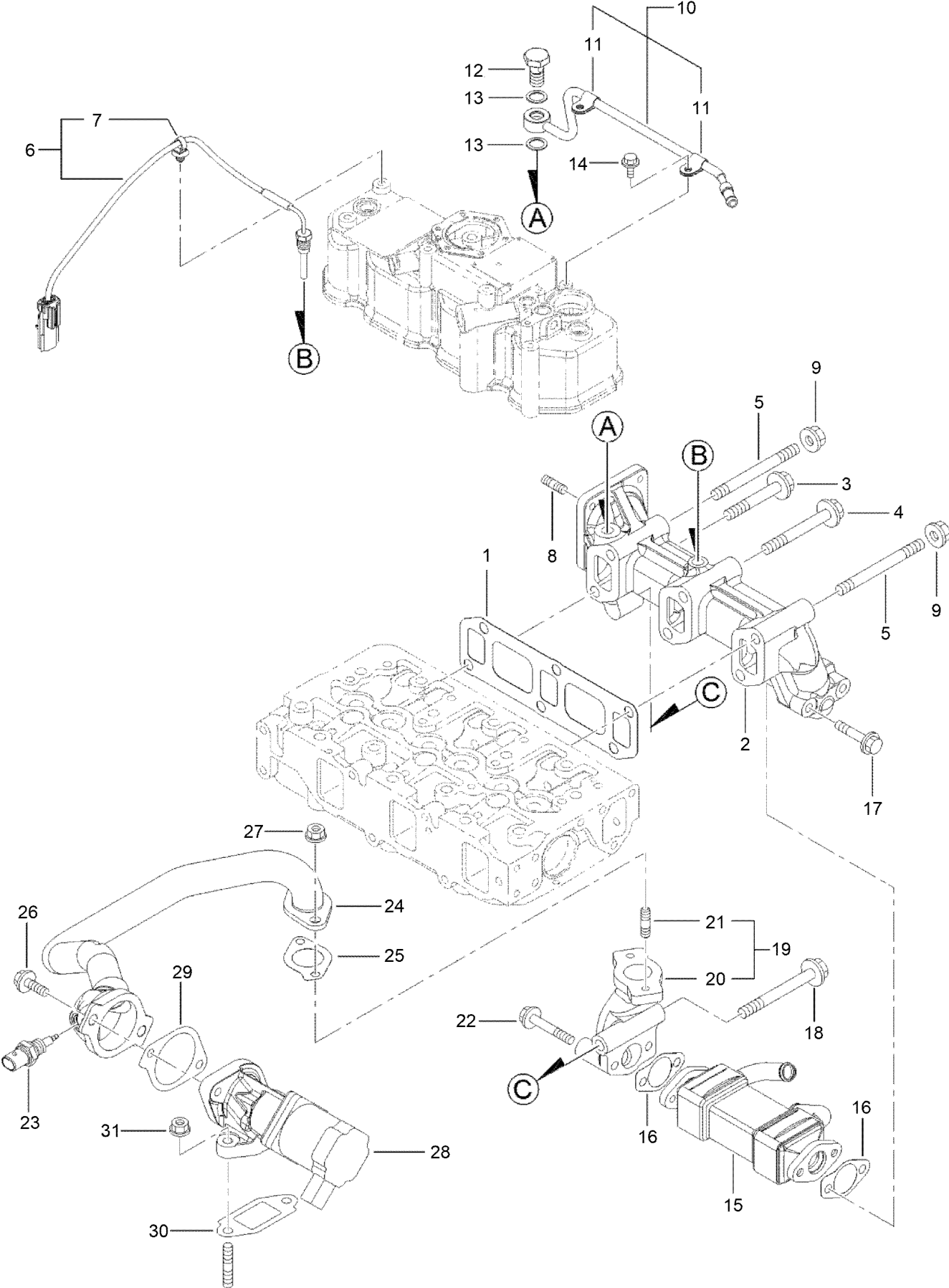
Suction Manifold Assembly



Suction Manifold Assembly (continued)

<i>Ref.</i>	<i>Part Number</i>	<i>Qty.</i>	<i>Description</i>	<i>Ref.</i>	<i>Part Number</i>	<i>Qty.</i>	<i>Description</i>
1	127-4704	1	Pipe	16	127-3081	1	Joint-Hose
2	125-7040	2	Clip-Hose	17	127-3166	2	Washer-Seal
3	127-3857	1	Gasket-Manifold, Intake	18	127-3181	2	Stud
4	127-4722	1	Intake Manifold ASM	19	127-4775	1	Nut
5	127-4721	1	Manifold-Intake	20	125-7220	1	Bolt
6	127-3180	2	Stud	21	127-3178	1	Bolt
7	137-5167	1	Sensor-Temperature, Air	22	127-3182	3	Stud
8	125-7220	3	Bolt	23	125-7229	3	Nut
9	127-3034	1	Gasket-Collector	24	127-3035	1	Bend-Inlet
10	127-4725	1	Intake Collector ASM	25	127-3036	1	Body-Throttle
11	127-4701	1	Stud	26	127-3037	2	Gasket-Throttle
12	127-3030	1	Sensor-Temp, Air	27	125-7209	2	Bolt
13	127-3033	1	O-Ring	28	125-7211	4	Bolt
14	127-4724	1	Collector-Intake	29	127-3177	2	Bolt
15	127-3080	1	Joint-Hose				

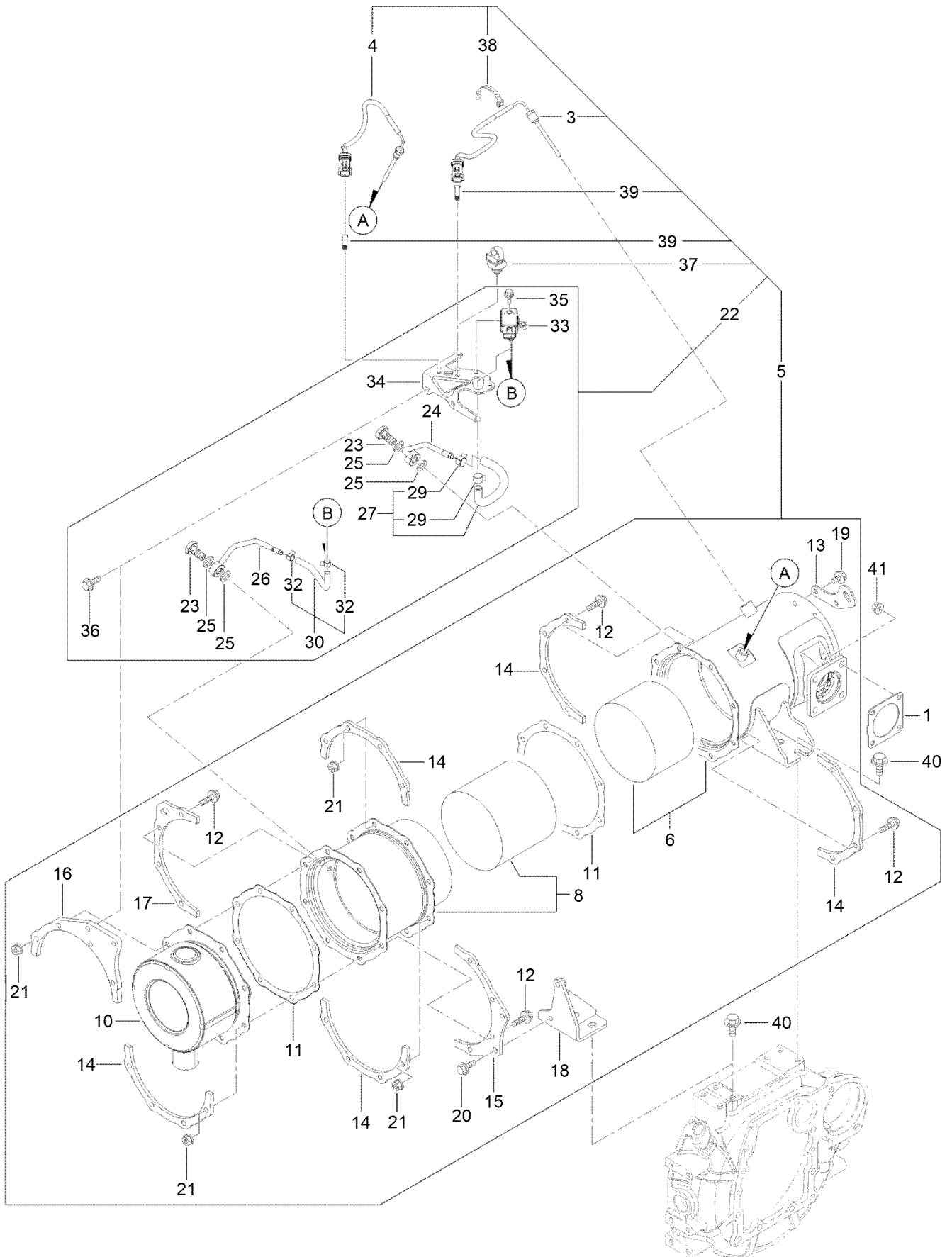
Exhaust Manifold Assembly



Exhaust Manifold Assembly (continued)

<i>Ref.</i>	<i>Part Number</i>	<i>Qty.</i>	<i>Description</i>	<i>Ref.</i>	<i>Part Number</i>	<i>Qty.</i>	<i>Description</i>
1	127-3775	1	Gasket-Manifold, Exhaust	17	135-4015	2	Bolt
2	127-4727	1	Manifold-Exhaust	18	135-4016	1	Bolt
3	139-6015	1	Bolt-Flange	19	127-3048	1	E G R Pipe ASM
4	135-4014	3	Bolt	20	127-3049	1	Pipe-Out, E G R
5	127-4756	2	Stud	21	125-7043	2	Stud
6	127-4729	1	Sensor-Temp, Exhaust	22	125-7220	2	Bolt
7	127-3087	1	Band-Clip	23	137-5168	1	Sensor-Gas Temp, E G R
8	125-6906	4	Stud	24	127-3780	1	E G R Pipe ASM
9	125-7230	2	Nut	25	127-3016	1	Gasket
10	127-3038	1	Exhaust Pipe ASM	26	125-7215	2	Bolt
11	127-3173	2	Clamp	27	125-7229	2	Nut
12	127-3039	1	Bolt-Joint, Pipe	28	127-3781	1	Valve-E G R
13	127-3174	2	Gasket	29	127-3050	1	Gasket-Intake Valve, E G R
14	125-7206	2	Bolt	30	127-3051	1	Gasket-Out Valve, E G R
15	127-3042	1	Cooler-E G R	31	125-7229	2	Nut
16	127-3043	2	Gasket-Cooler, E G R				

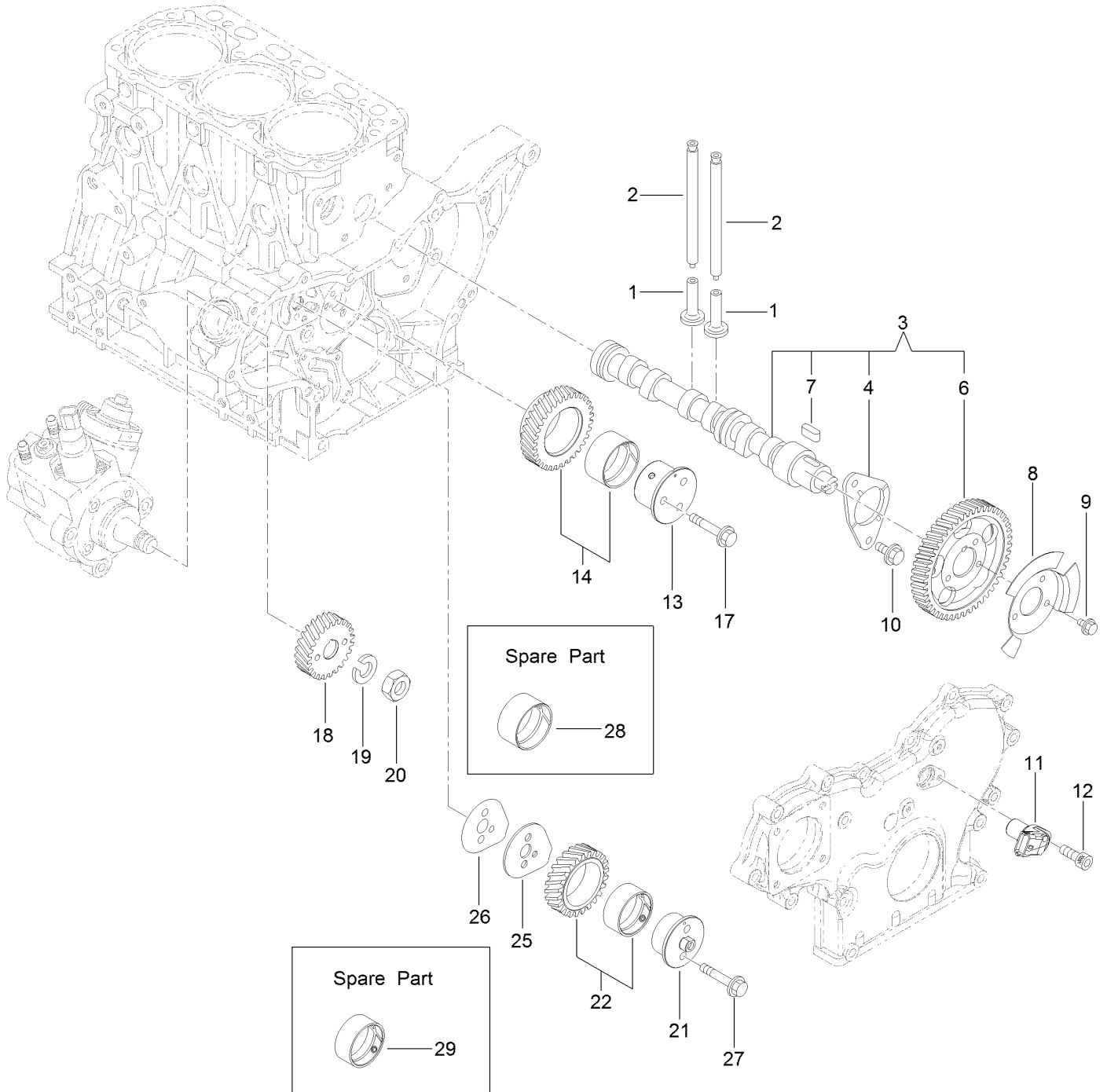
Diesel Particulate Filter Assembly



Diesel Particulate Filter Assembly (continued)

<i>Ref.</i>	<i>Part Number</i>	<i>Qty.</i>	<i>Description</i>	<i>Ref.</i>	<i>Part Number</i>	<i>Qty.</i>	<i>Description</i>
1	127-3019	1	Gasket	23	127-3039	2	Bolt-Joint, Pipe
3	127-4764	1	Sensor-Temp, Exhaust	24	127-3795	1	Pipe-Sensor
4	127-4765	1	Sensor-Temp, Exhaust	25	127-3056	4	Gasket-Sensor
5	127-4730	1	D P F ASM	26	127-3796	1	Pipe-Sensor
6	127-4731	1	Case-Doc	27	127-4746	1	Exhaust Hose ASM
8	127-4733	1	Case-Soot Filter	29	127-3057	2	Clip-Hose
10	127-3786	1	Silencer-D P F	30	127-3059	1	Exhaust Pressure Hose ASM
11	127-3859	2	Gasket-D P F	32	127-3058	2	Clip-Hose
12	127-3055	16	Bolt	33	127-3060	1	Sensor-Pressure
13	127-3788	1	Lifter-D P F	34	127-3061	1	Bracket-Sensor, Pressure
14	127-3789	5	Stiffener-D P F, A	35	125-7208	2	Bolt
15	127-3790	1	Stiffener-D P F, B	36	125-7595	2	Bolt
16	127-3791	1	Stiffener-D P F, C	37	127-3087	1	Band-Clip
17	127-3792	1	Stiffener-D P F, C	38	127-3124	1	Band
18	127-4737	1	Stay-Dpf	39	127-3088	2	Clip-Connector
19	125-7213	2	Bolt	40	127-3179	4	Bolt
20	125-7594	2	Bolt	41	125-7229	4	Nut
21	125-7229	16	Nut				
22	127-4777	1	Sensor Pressure Unit				

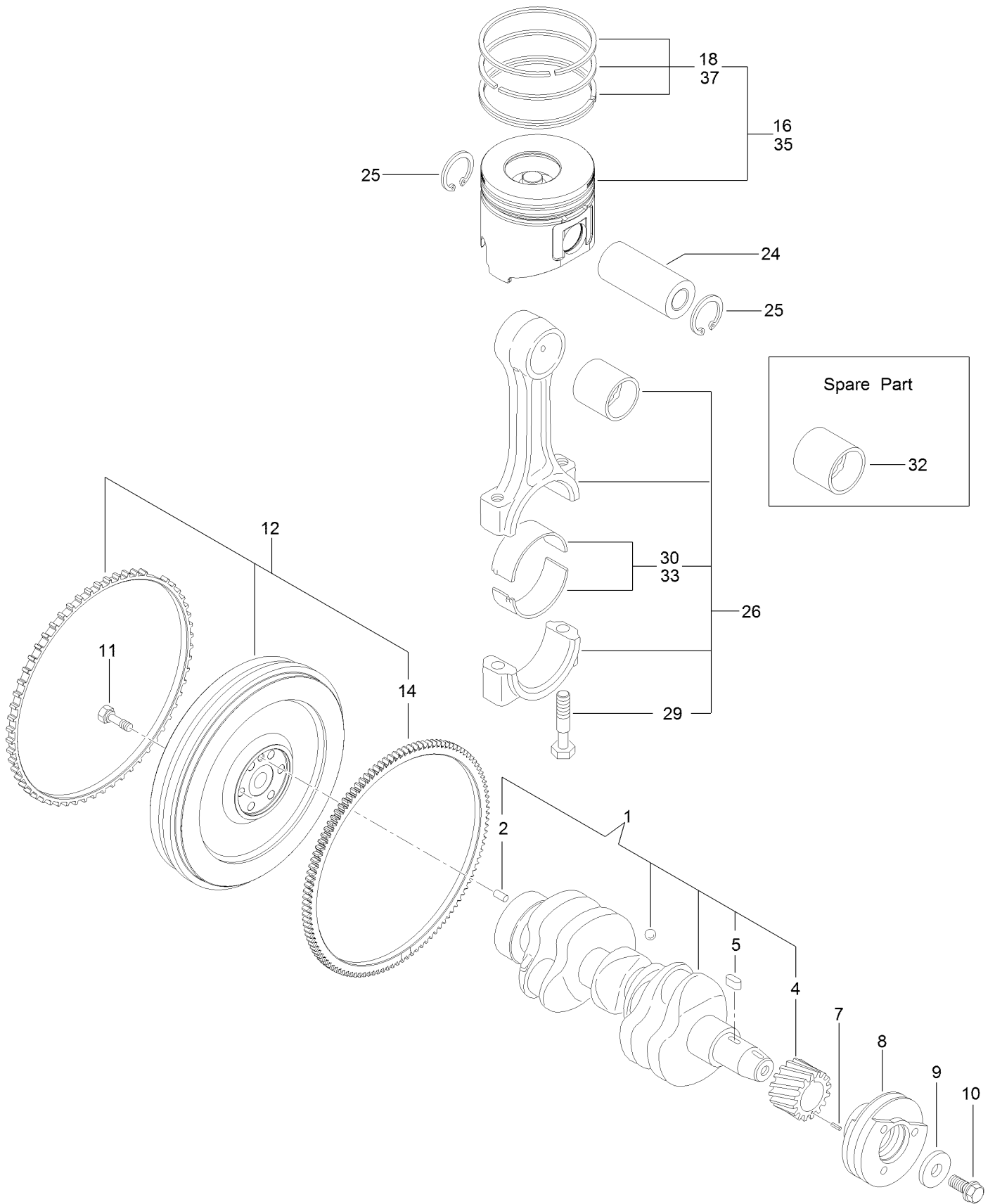
Camshaft and Driving Gear Assembly



Camshaft and Driving Gear Assembly (continued)

<i>Ref.</i>	<i>Part Number</i>	<i>Qty.</i>	<i>Description</i>	<i>Ref.</i>	<i>Part Number</i>	<i>Qty.</i>	<i>Description</i>
1	125-7016	6	Tappet	14	127-3066	1	Idle Gear A ASM
2	125-7017	6	Rod-Push	17	125-7219	3	Bolt
3	127-3797	1	Camshaft ASM	18	127-3070	1	Gear-Pump, Supply
4	125-7008	1	Metal-Thrust	19	127-3167	1	Washer-Spring
6	127-3052	1	Gear-Camshaft	20	127-3185	1	Nut-Lock
7	125-7185	1	Key	21	127-3064	1	Shaft-Idle, Gear B
8	127-3053	1	Pulser-Camshaft	22	127-3067	1	Idle Gear B ASM
9	125-7205	3	Bolt	25	127-3068	1	Plate-Idle, Shaft
10	125-7213	2	Bolt	26	127-3069	1	Gasket-Idle, Shaft B
11	127-3054	1	Sensor-Rev, Gear	27	125-7218	2	Bolt
12	127-3184	1	Bolt	28	125-6927	1	Bushing
13	127-3063	1	Shaft-Idle, Gear A	29	127-3065	1	Bushing

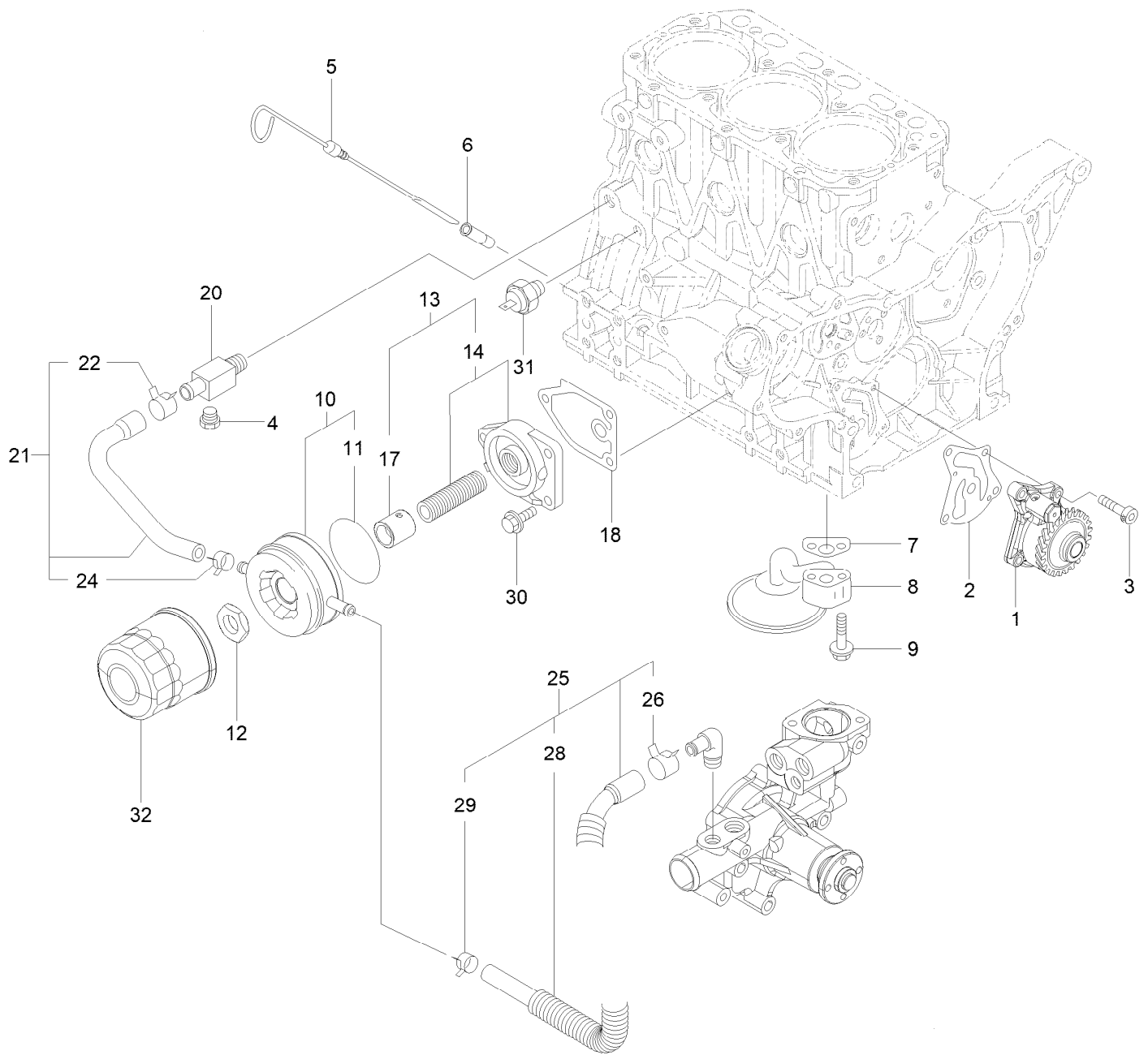
Crankshaft and Piston Assembly



Crankshaft and Piston Assembly (continued)

<i>Ref.</i>	<i>Part Number</i>	<i>Qty.</i>	<i>Description</i>	<i>Ref.</i>	<i>Part Number</i>	<i>Qty.</i>	<i>Description</i>
1	127-3800	1	Crankshaft ASM	16	127-4766	3	Piston ASM
2	125-6995	1	Pin	18	127-4751	3	Piston Ring ASM
4	125-6937	1	Gear	24	125-7030	3	Pin
5	125-7185	1	Key	25	125-7180	6	Ring
7	125-7182	1	Pin-Spring	26	125-7242	3	Connecting Rod ASM
8	127-3801	1	Pulley-V	29	125-6955	6	Bolt
9	125-7109	1	Washer	30	125-7018	3	Pin-Crank
10	125-6956	1	Bolt	32	125-6997	3	Pin-Piston
11	125-6951	6	Bolt	33	125-7019	3	Pin-Crank (.25)
12	127-3802	1	Flywheel ASM	35	127-4767	3	Piston ASM (0.25 O S)
14	125-6943	1	Gear	37	127-4752	3	Ring Set (0.25 O S)

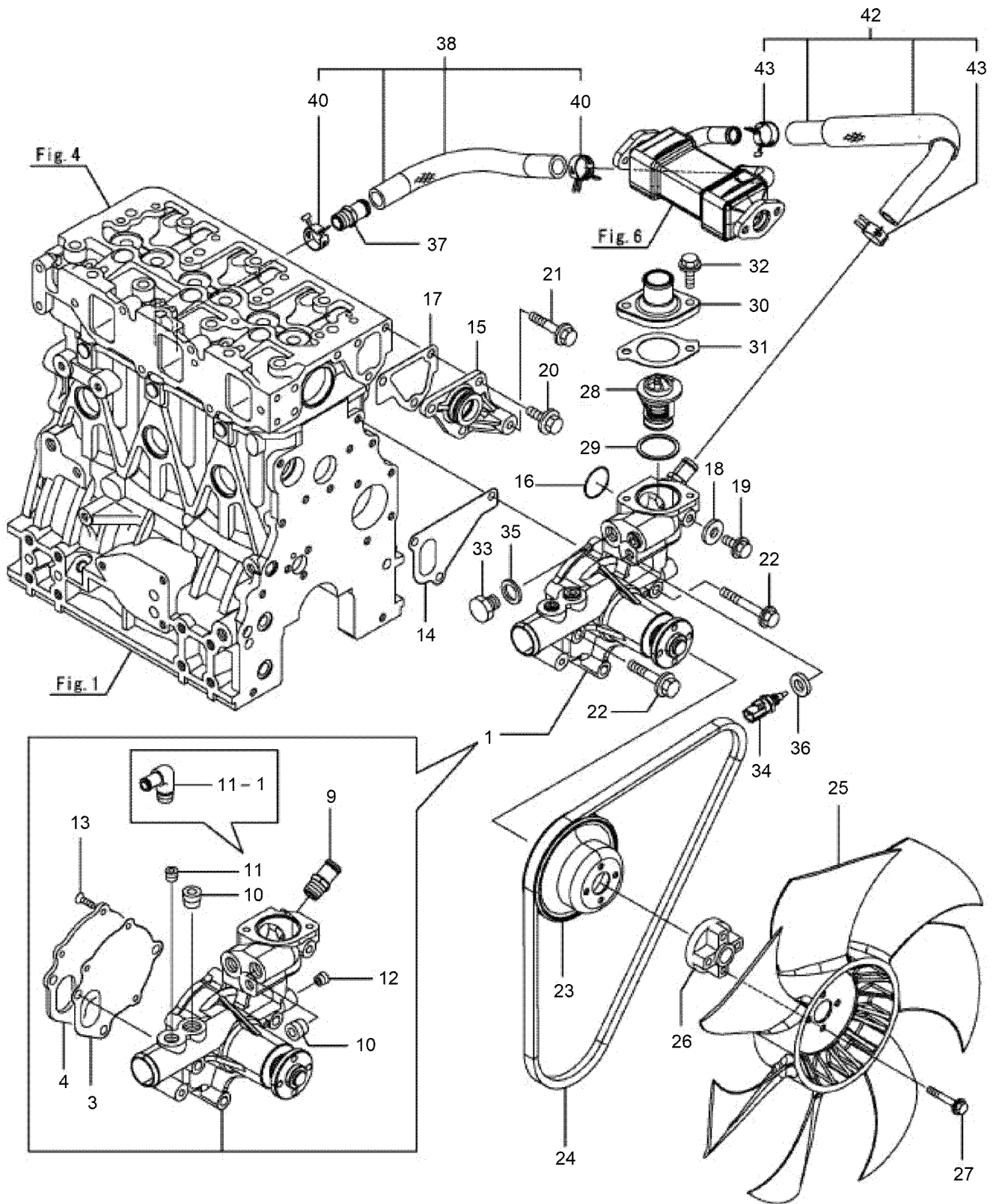
Lubrication and Oil System Assembly



Lubrication and Oil System Assembly (continued)

<i>Ref.</i>	<i>Part Number</i>	<i>Qty.</i>	<i>Description</i>	<i>Ref.</i>	<i>Part Number</i>	<i>Qty.</i>	<i>Description</i>
1	127-4753	1	Oil Pump ASM	17	135-4022	1	Collar-Cooler, Oil
2	127-3004	1	Gasket	18	125-7024	1	Gasket
3	125-7232	4	Bolt	20	125-6990	1	Joint
4	125-7171	1	Plug-Drain	21	125-7078	1	Pipe ASM
5	125-6987	1	Dipstick	22	125-7162	1	Clip
6	125-6954	1	Guide-Dipstick	24	125-7191	1	Clamp-Hose
7	125-7022	1	Gasket	25	127-3804	1	Pipe ASM
8	127-3803	1	Pipe ASM	26	125-7162	1	Clip
9	125-7217	2	Bolt	28	127-3805	1	Tube
10	135-4018	1	Oil Cooler ASM	29	125-7191	1	Clamp-Hose
11	135-4019	1	Packing-Oil Cooler	30	125-7595	3	Bolt
12	135-4020	1	Nut	31	125-6918	1	Switch-Oil
13	135-4021	1	Lo Filter Bracket ASM	32	125-7025	1	Filter-Engine, Oil
14	125-6989	1	Bracket ASM				

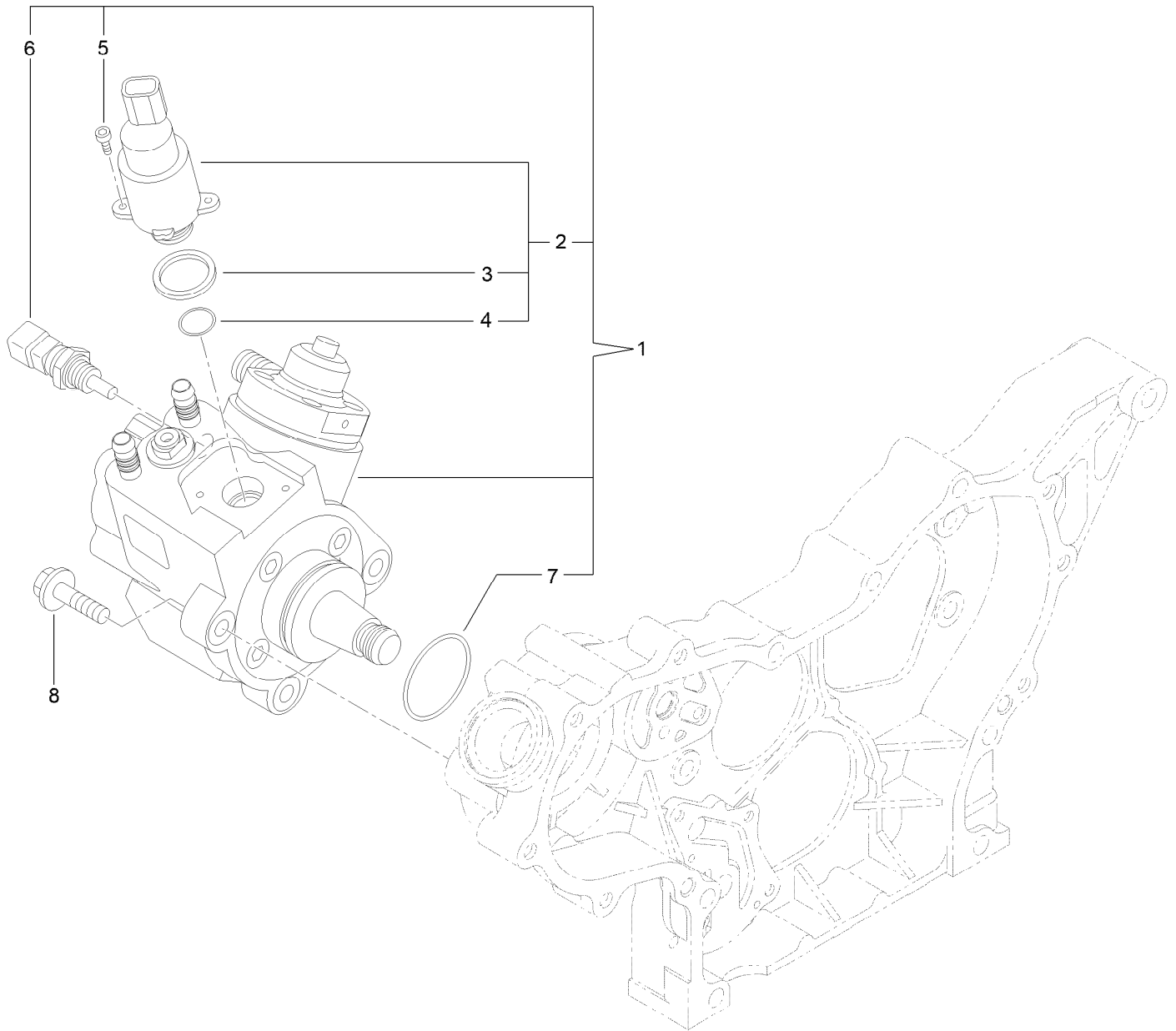
Cooling System Assembly



Cooling System Assembly (continued)

<i>Ref.</i>	<i>Part Number</i>	<i>Qty.</i>	<i>Description</i>	<i>Ref.</i>	<i>Part Number</i>	<i>Qty.</i>	<i>Description</i>
1	131-2714	1	Water Pump ASM	24	127-2998	1	V-Belt
3	125-6998	1	Gasket	25	127-4713	1	Fan
4	125-6999	1	Plate	26	127-4768	1	Spacer
9	127-3017	1	Joint	27	125-7211	4	Bolt
10	125-7123	2	Plug	28	125-7029	1	Thermostat
11	125-7001	1	Elbow	29	125-7026	1	Gasket
12	125-7195	1	Plug	30	125-7034	1	Cover
13	125-7234	3	Screw	31	125-7110	1	Gasket
14	125-7047	1	Gasket	32	125-7594	2	Bolt
15	125-6986	1	Joint	33	125-6953	1	Plug
16	125-7048	1	O-Ring	34	125-7124	1	Sensor-Thermostat, CW
17	125-6978	1	Gasket	35	125-6979	1	Gasket
18	125-7192	1	Gasket	36	125-7176	1	Washer-Seal
19	93-0362	1	Bolt	37	127-3017	1	Joint
20	100-6928	3	Bolt	38	127-3072	1	Water In Pipe ASM
21	125-7219	1	Bolt	40	127-3020	2	Clip-Hose
22	125-7222	3	Bolt	42	127-3811	1	CW Pipe ASM
23	125-7039	1	V-Pulley	43	127-3020	2	Clip-Hose

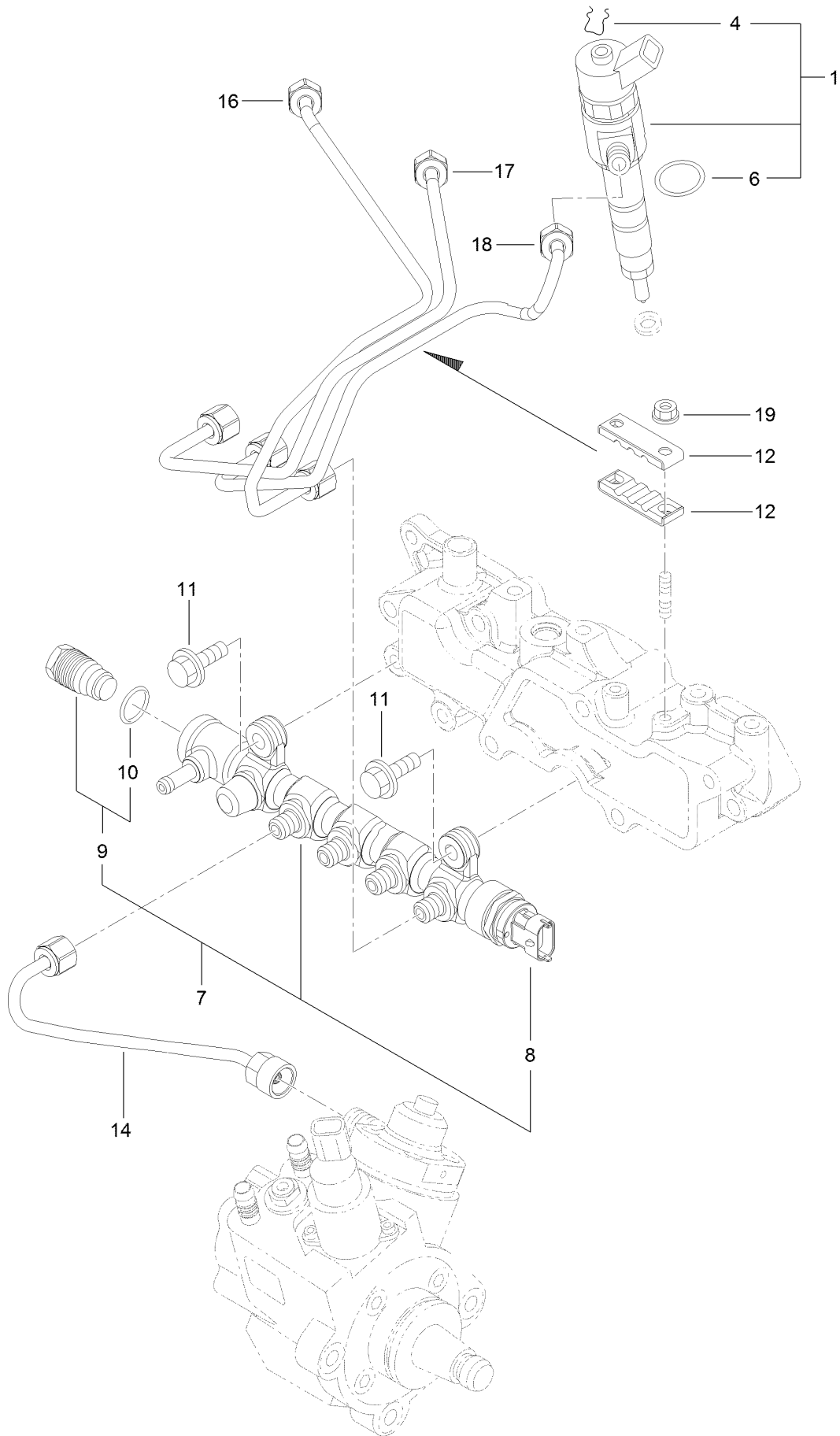
Fuel System Assembly



Fuel System Assembly (continued)

<i>Ref.</i>	<i>Part Number</i>	<i>Qty.</i>	<i>Description</i>	<i>Ref.</i>	<i>Part Number</i>	<i>Qty.</i>	<i>Description</i>
1	127-3073	1	Fuel Pump ASM	5	131-2107	2	Bolt
2	131-2103	1	Valve ASM	6	131-2108	1	Sensor-Temperature
3	131-2105	3	Ring-Sealing	7	127-3074	1	O-Ring
4	131-2106	1	O-Ring	8	125-7216	3	Bolt

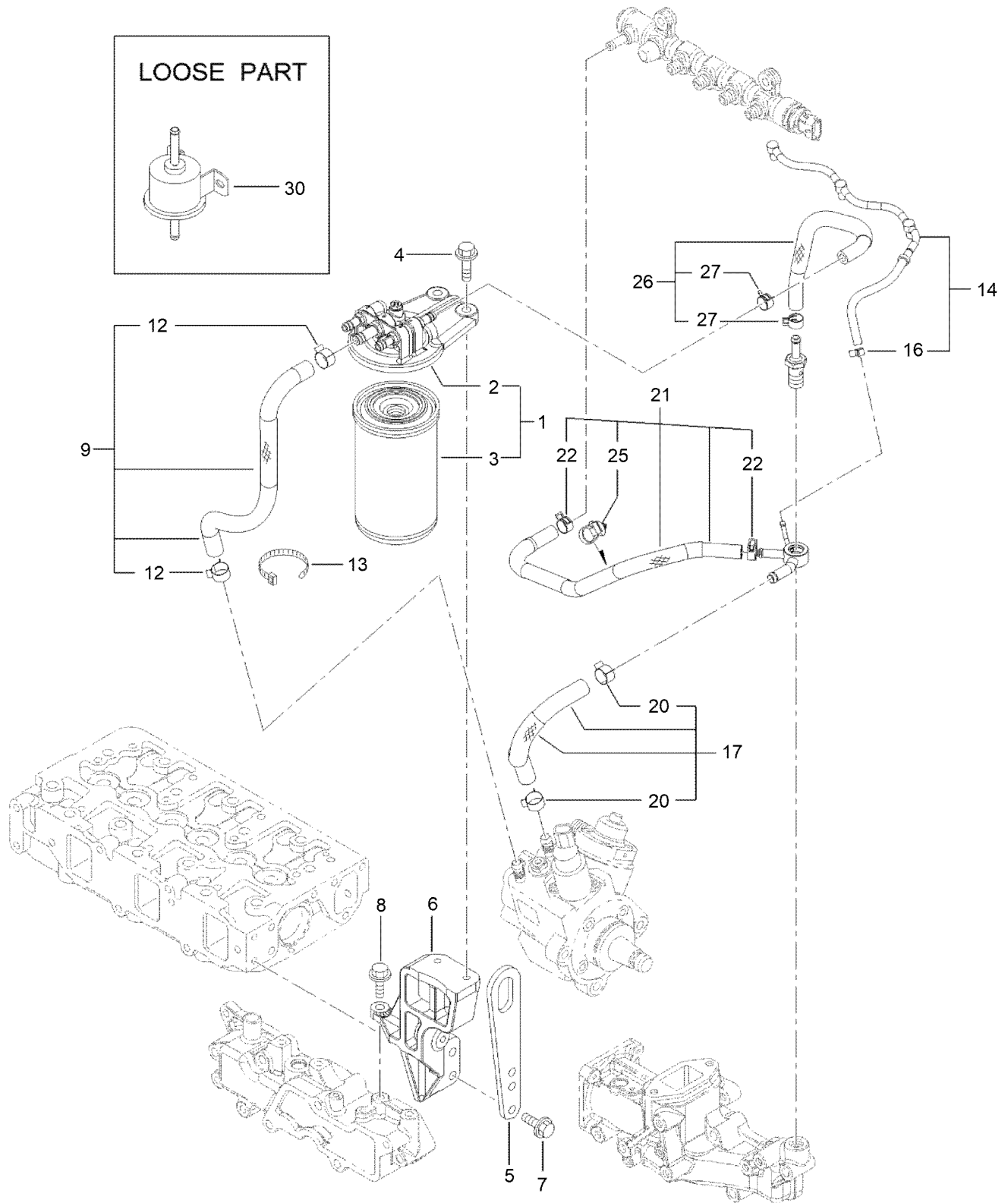
Fuel Injection Valve Assembly



Fuel Injection Valve Assembly (continued)

<i>Ref.</i>	<i>Part Number</i>	<i>Qty.</i>	<i>Description</i>	<i>Ref.</i>	<i>Part Number</i>	<i>Qty.</i>	<i>Description</i>
1	127-4754	3	Injector ASM	11	125-7215	2	Bolt
4	130-7430	3	Ring-Retaining	12	127-3813	2	Retainer
6	137-5173	3	O-Ring	14	127-3082	1	Rail In Pipe ASM
7	127-3812	1	Rail ASM	16	127-3814	1	Injection Pipe ASM
8	131-2709	1	Sensor-Pressure, Rail	17	127-3083	1	Injection Pipe ASM
9	131-2710	1	Valve ASM	18	127-3084	1	Injection Pipe ASM
10	130-7433	1	O-Ring	19	125-7231	2	Nut

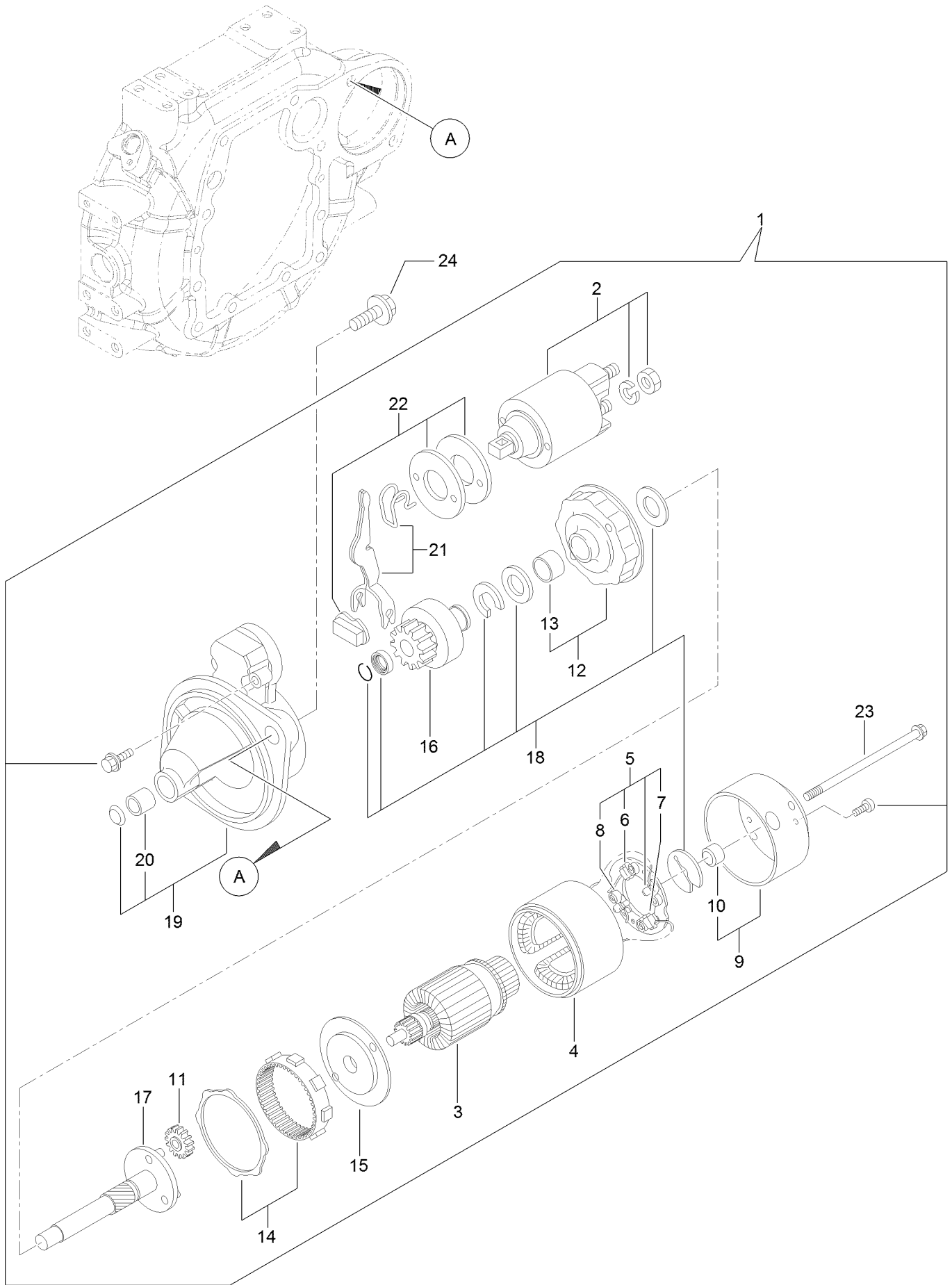
Fuel Line Assembly



Fuel Line Assembly (continued)

<i>Ref.</i>	<i>Part Number</i>	<i>Qty.</i>	<i>Description</i>	<i>Ref.</i>	<i>Part Number</i>	<i>Qty.</i>	<i>Description</i>
1	139-6016	1	Fuel/Oil Filter ASM	14	131-2729	1	Joint-Hose, 4 Way
2	127-3076	1	Fuel/Oil Filter Bracket ASM	16	127-3172	1	Clamp-Hose
3	139-6017	1	Filter-Fuel	17	127-3078	1	Fuel Pipe ASM
4	125-7216	2	Bolt	20	125-7191	2	Clamp-Hose
5	125-7111	1	Lifter	21	127-3817	1	Fuel Pipe ASM
6	127-3815	1	Filter Bracket ASM	22	127-2950	2	Clip-Hose
7	125-7215	2	Bolt	25	127-3087	1	Band-Clip
8	125-7215	1	Bolt	26	127-3079	1	Fuel Pipe ASM
9	127-3077	1	Fuel Pipe ASM	27	127-2950	2	Clip-Hose
12	125-7191	2	Clamp-Hose	30	121-5613	1	Pump-Fuel, Electric
13	127-2981	1	Band				

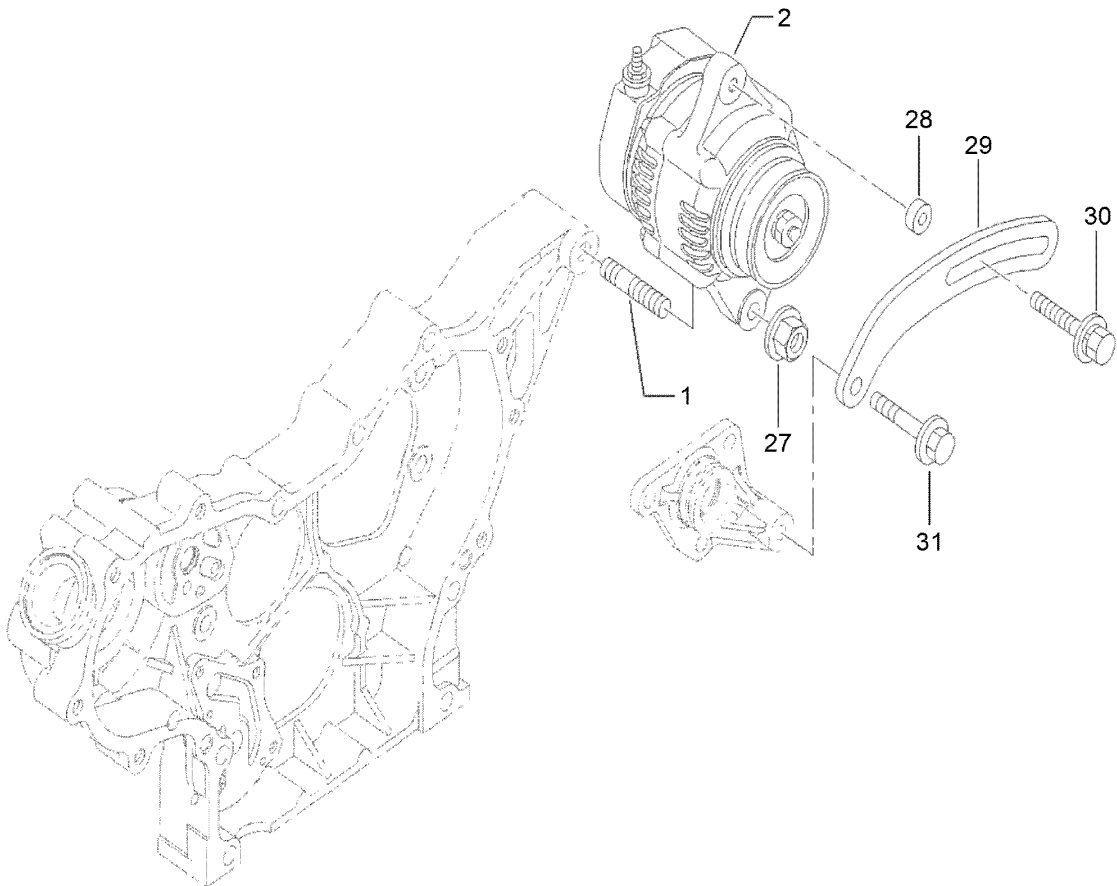
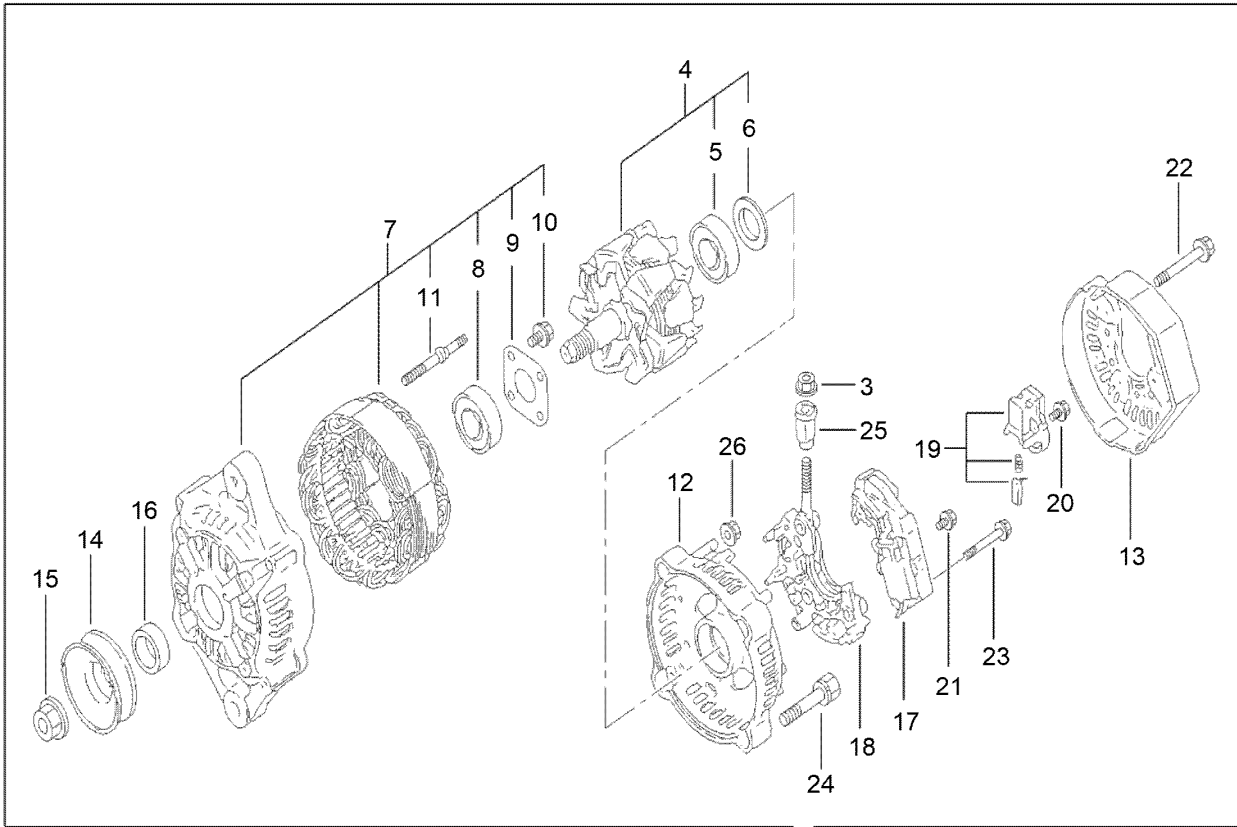
Starting Motor Assembly



Starting Motor Assembly (continued)

<i>Ref.</i>	<i>Part Number</i>	<i>Qty.</i>	<i>Description</i>	<i>Ref.</i>	<i>Part Number</i>	<i>Qty.</i>	<i>Description</i>
1	127-3818	1	Starter ASM	13	127-3830	1	Bracket
2	127-3819	1	Switch ASM	14	127-3831	1	Gear
3	127-3820	1	Armature ASM	15	127-3832	1	Bracket
4	127-3821	1	Yoke ASM	16	127-3833	1	Pinion ASM
5	127-3822	1	Brush Holder ASM	17	127-3834	1	Shaft
6	127-3823	2	Brush	18	127-3835	1	Washer Set
7	127-3824	1	Brush Set	19	127-3836	1	Case ASM
8	127-3825	4	Spring	20	127-3837	1	Metal-Starter
9	127-3826	1	Cover ASM	21	127-3838	1	Lever Set
10	127-3827	1	Metal	22	127-3839	1	Dust Cover ASM
11	127-3828	3	Gear	23	127-3840	2	Bolt-Through
12	127-3829	1	Bracket	24	125-7225	2	Bolt

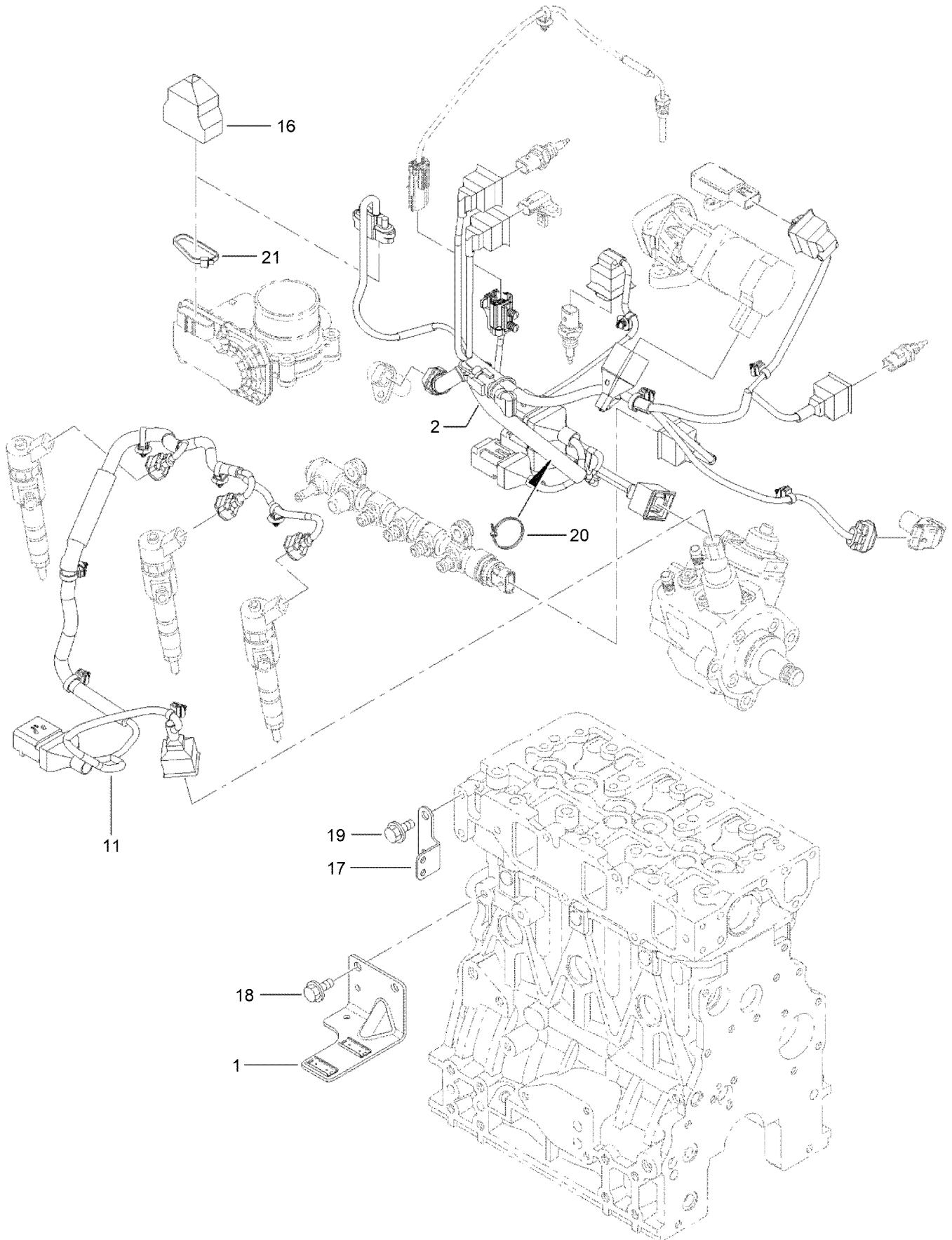
Generator Assembly



Generator Assembly (continued)

<i>Ref.</i>	<i>Part Number</i>	<i>Qty.</i>	<i>Description</i>	<i>Ref.</i>	<i>Part Number</i>	<i>Qty.</i>	<i>Description</i>
1	127-3011	1	Stud	17	135-4026	1	Regulator ASM
2	139-6018	1	Generator	18	127-3848	1	Holder
3	127-3190	1	Nut	19	127-2993	1	Holder
4	127-3843	1	Rotor ASM	20	127-2965	6	Screw
5	127-2983	1	Bearing-Ball	21	127-2966	1	Screw
6	127-2962	1	Cover	22	127-2967	3	Bolt
7	135-4025	1	Frame ASM	23	127-2968	2	Screw
8	127-2958	1	Bearing-Ball	24	127-2969	2	Bolt
9	127-2959	1	Plate-Retainer	25	127-2970	1	Bushing-Insulation
10	127-2960	4	Screw	26	127-2971	2	Nut
11	127-2961	2	Stud	27	125-7230	1	Nut
12	127-3845	1	Frame	28	125-6947	1	Spacer
13	127-3846	1	Cover	29	127-2977	1	Adjuster
14	127-2954	1	Pulley	30	125-7134	1	Bolt
15	127-2955	1	Nut	31	125-7219	1	Bolt
16	127-2957	1	Collar				

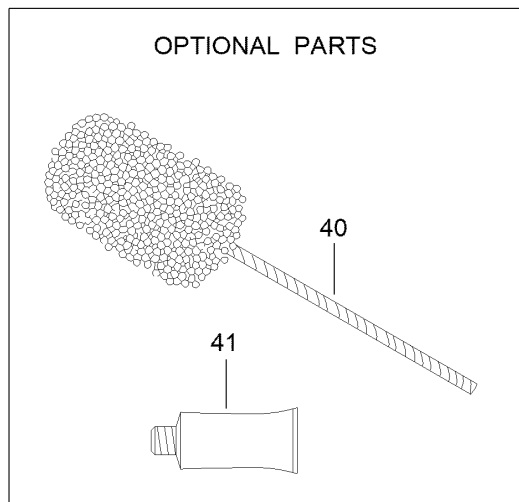
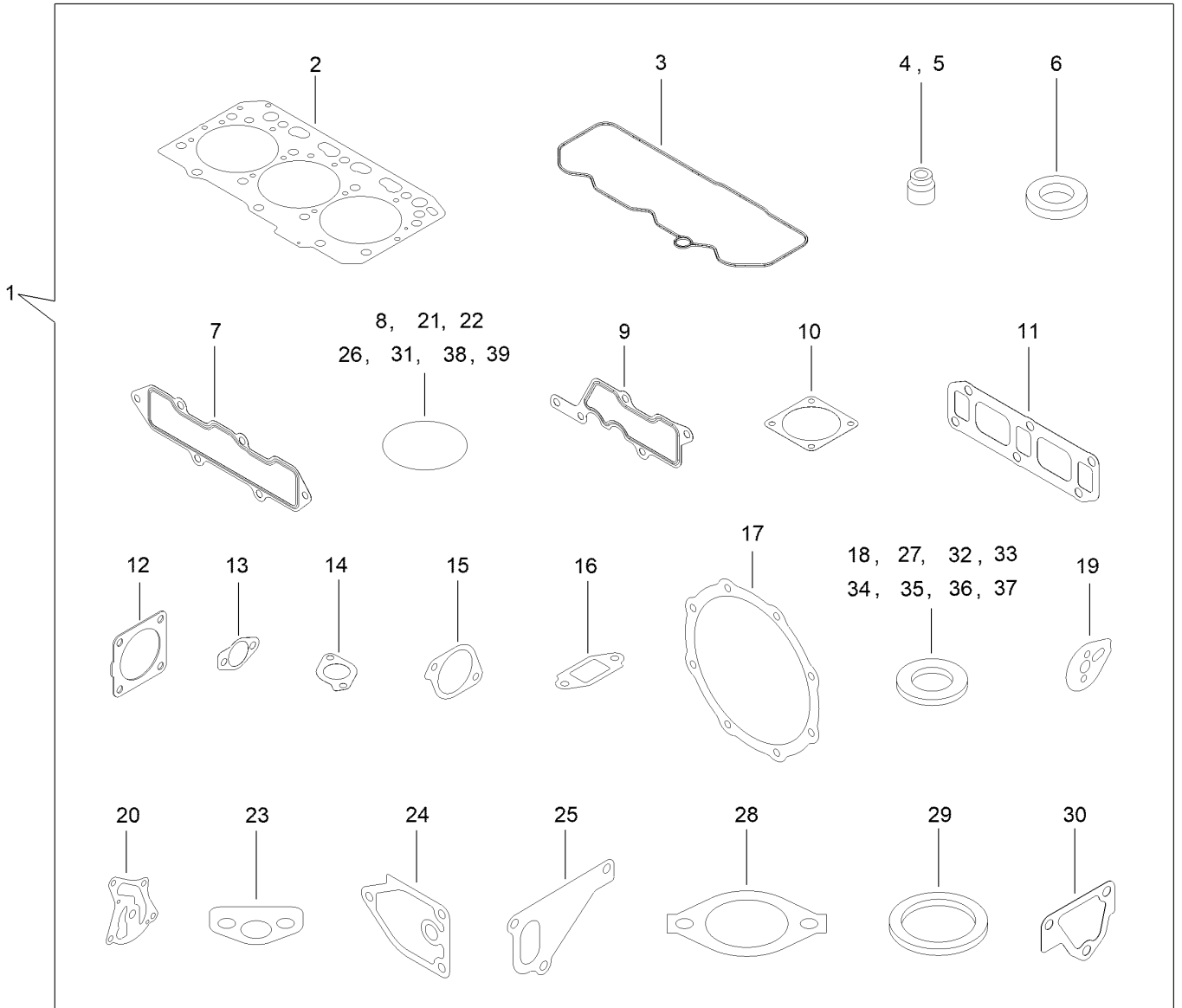
Electrical Assembly



Electrical Assembly (continued)

<i>Ref.</i>	<i>Part Number</i>	<i>Qty.</i>	<i>Description</i>	<i>Ref.</i>	<i>Part Number</i>	<i>Qty.</i>	<i>Description</i>
1	130-7436	1	Bracket-Connector	18	125-7213	2	Bolt
2	135-4029	1	Harness	19	93-0362	2	Bolt
11	130-7438	1	Harness	20	127-3187	1	Band
16	131-2713	1	Boot-Cap	21	127-3188	1	Band
17	127-3090	1	Bracket-Harness				

Gasket Set



Gasket Set (continued)

<i>Ref.</i>	<i>Part Number</i>	<i>Qty.</i>	<i>Description</i>	<i>Ref.</i>	<i>Part Number</i>	<i>Qty.</i>	<i>Description</i>
1	127-4776	1	Gasket Kit	22	127-2973	1	O-Ring
2	127-4716	1	Head Gasket ASM	23	125-7022	1	Gasket
3	127-3856	1	Gasket-Valve Cover	24	125-7024	1	Gasket
4	127-2986	3	Seal-Stem, Valve	25	125-7047	1	Gasket
5	127-3027	3	Seal-Stem, Valve	26	125-7048	1	O-Ring
6	127-3021	3	Gasket-Injector	27	125-6979	1	Gasket
7	127-3857	1	Gasket-Manifold, Intake	28	125-7110	1	Gasket
8	127-3033	1	O-Ring	29	125-7026	1	Gasket
9	127-3034	1	Gasket-Collector	30	125-6978	1	Gasket
10	127-3037	2	Gasket-Throttle	31	127-3074	1	O-Ring
11	127-3775	1	Gasket-Manifold, Exhaust	32	125-7174	1	Washer-Seal
12	127-3019	1	Gasket	33	125-7176	1	Washer-Seal
13	127-3043	2	Gasket-Cooler, E G R	34	127-3166	2	Washer-Seal
14	127-3016	1	Gasket	35	125-7177	1	Washer-Seal
15	127-3050	1	Gasket-Intake Valve, E G R	36	125-7192	1	Gasket
16	127-3051	1	Gasket-Out Valve, E G R	37	127-3174	2	Gasket
17	127-3859	2	Gasket-D P F	38	93-0418	3	O-Ring
18	127-3056	4	Gasket-Sensor	39	125-7197	2	O-Ring
19	127-3069	1	Gasket-Idle, Shaft B	40	127-3000	1	Hone
20	127-3004	1	Gasket	41	125-7248	1	Gasket-Liquid
21	125-6909	2	O-Ring				

Attachments and Accessories

For 03607 Reelmaster 5510-D Traction Unit

Product Name	Model/Part
Operator Cooling Fan	03247
Switch Panel-Universal Sunshade.....	03248
Operator Golf Ball Guard, Reelmaster 3100/3500/5010 or Groundsmaster 3500/4300 Series Traction Unit	03614
Verticutter for 7in Reel Cutting Unit	03619
8-Blade Radial Reel DPA Cutting Unit with 7in Reel.....	03638
8-Blade Forward Swept Reel DPA Cutting Unit with 7in Reel	03639
11-Blade Forward Swept Reel DPA Cutting Unit with 7in Reel	03641
7-in, 11 Blade ES (RR) DPA Cutting Unit	03643
CrossTrax All-Wheel Drive Kit	03655
Air Ride Seat Suspension Kit	03667
Turf Evaluator	04399
Wheel Weight Kit	104-1478
Premium All Purpose Grease (Tube)	108-1190
Weight Plate	110-8985-03
Rear Lift Cylinder Limit Kit	110-9604
5in Air Cleaner Safety Element	114-4057
Premium Synthetic Bio-Degradable Hydraulic Fluid (5 Gallon Pail)	119-2157
Premium Synthetic Bio-Degradable Hydraulic Fluid (55 Gallon Drum).....	119-2158
Cutting Unit Hydraulic Hose Kit.....	119-6955
Premium Engine Oil 10w30 (55 Gallon Drum)	121-6392
Premium Engine Oil 10w30 (5 Gallon Pail)	121-6393
Smooth Rear Tire	127-2796
Hi-Back Seat Cover	133-1308
Smooth Front Tire	133-2940
PX Hydraulic Fluid (5 Gal)	133-8086
PX Hydraulic Fluid (55 Gal).....	133-8087
Pin and Lanyard Asm	136-8045
Beacon Kit	138-2699
Sunshade Work Lights Kit.....	138-2700
Power Harness Kit	138-2993
Fuel Cooler Kit [yanmar Rm5x10, Gm4300]	139-6040
Brush and Handle Kit.....	29-9100
White Universal Sunshade	30669
Red Universal Sunshade	30671
EU Light Kit.....	31579
New Red Paint - Gallon	361-11
Dark Metallic Gray Aerosol Paint	361-12
Semi-Gloss Black Spray Paint	361-9
MVP Kit 1000 Hour	44964
Air Dry Red Paint - Qt	5340
Spark Arrestor	98-9099

Notes:



Count on it.