



Count on it.

Parts Catalog

Reelmaster® 3555

Traction Unit

Model No. 03820—Serial No. 403446001 and Up



Ordering Replacement Parts

To order replacement parts, please supply the part number, the quantity, and the description of each part desired.

Understanding Reference Numbers

Each identified part in an illustration has a reference number. The reference number for a part also appears in the parts list, along with other information about the part.

This catalog uses two special reference number formats, one to indicate parts in a service assembly and another to indicate the quantity of a given part in an illustration.

Service Assembly Reference Numbers

Parts in service assemblies have reference numbers in the form a:b. The a represents the reference number of the entire service assembly and the b represents a sequential number unique to each part within the service assembly.

For example, a wheel assembly might be identified by reference number 6, the tire by 6:1, the valve by 6:2, and the wheel by 6:3. When you order the assembly identified by reference number 6, you receive all parts identified by reference numbers 6:1, 6:2, and 6:3. However, you may also order any part individually. Reference numbers of this type appear in illustration and in parts lists.

Reference Numbers Indicating Quantity

In an illustration, if a reference number indicates more than one part, the reference number has the form nX y. The n represents the quantity of the part, the X is the multiplication symbol, and the y represents the reference number.

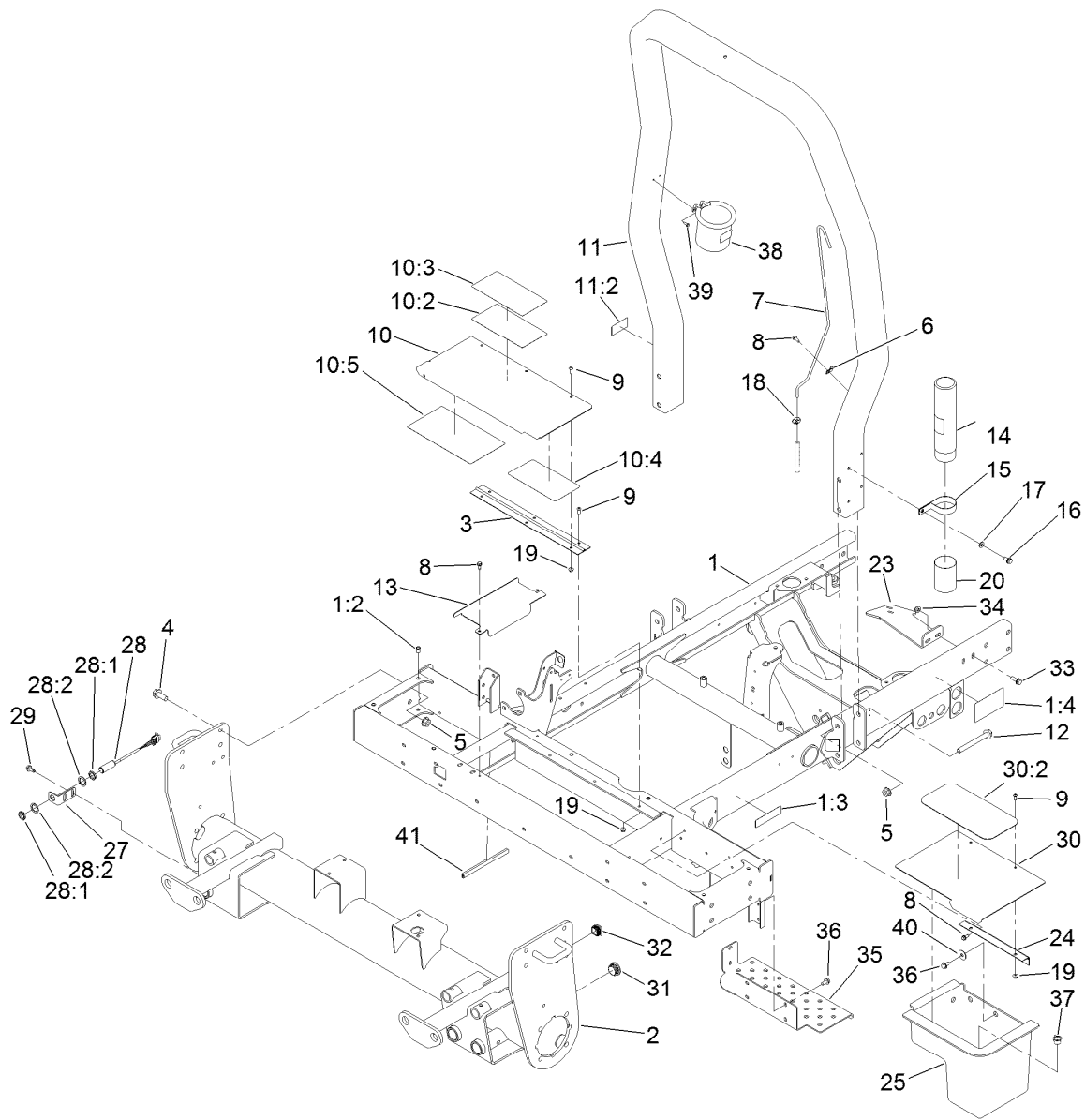
For example, in an illustration, the reference number 2X 37 means that two of the parts identified by reference number 37 are indicated.

Contents

| | |
|--|----|
| Frame and Front Axle Assembly | 5 |
| Engine Mount Assembly | 7 |
| Muffler and Air Cleaner Assembly | 8 |
| Air Cleaner Assembly No. 93-2190 | 9 |
| Radiator and Oil Cooler Assembly | 10 |
| No. 1, No. 4 and No. 5 Lift Arm Assembly | 11 |
| Hydraulic Cylinder Assembly No. 119-6989 | 12 |
| Hydraulic Cylinder Assembly No. 127-8539 | 13 |
| No. 2 and No. 3 Lift Arm Assembly | 14 |
| Hydraulic Cylinder Assembly No. 108-4436 | 15 |
| Fuel Tank and Filter Assembly | 16 |
| Hydraulic Tank and Filter Assembly | 17 |
| Battery Assembly | 18 |
| Seat and Heat-Shield Assembly | 19 |
| Seat Assembly No. 116-3998 | 20 |
| Control Panel Assembly | 21 |
| Joystick Bracket Assembly No. 120-5280 | 22 |
| Parking Brake Assembly | 23 |
| Main Wire Harness Assembly | 24 |
| Steering Arm Assembly | 25 |
| Steering Valve Assembly No. 127-8445 | 26 |
| Front Shroud and Floorplate Assembly | 27 |
| Lamp Assembly No. 94-9024 | 28 |
| Traction Control Assembly | 29 |
| Hood and Screen Assembly | 30 |
| Wheel and Brake Assembly | 31 |
| Hydraulic Motor Assembly No. 110-8786 | 32 |
| Hydraulic Motor Assembly No. 110-8785 | 33 |
| Brake Assembly No. 127-8535 | 34 |
| Rear Fork Assembly | 35 |
| Steering Cylinder Assembly No. 121-7835 | 36 |
| Hydraulic Motor Assembly No. 95-8694 | 37 |
| Neutral Arm Assembly | 38 |
| Piston Pump and Gear Pump Assembly | 39 |
| Hydraulic Pump Assembly No. 104-4890 | 40 |
| Hydraulic Gear Pump Assembly No. 121-7841 | 42 |
| Traction Hydraulic Assembly | 43 |
| Lift Hydraulic Assembly | 44 |
| Lift Manifold Assembly No. 127-8444 | 45 |
| Cutting Unit No. 1, No. 4 and No. 5 Mow Hydraulic Assembly | 46 |
| Mow Manifold Assembly No. 120-2058 | 48 |
| Hydraulic Reel Motor Assembly No. 120-2072 | 49 |
| Rear Mow Hydraulic Circuit Assembly | 50 |
| Crankcase Assembly | 52 |
| Oil Pan and Dipstick Assembly | 53 |
| Cylinder Head Assembly | 54 |
| Gear Case and Oil Filter Cartridge Assembly | 55 |
| Cylinder Head Cover Assembly | 56 |
| Main Bearing Case Assembly | 57 |
| Camshaft and Idle Gear Shaft Assembly | 58 |
| Piston and Crankshaft Assembly | 59 |
| Fuel Camshaft and Governor Shaft Assembly | 60 |
| Idle Apparatus and Stop Solenoid Assembly | 61 |
| Injection Pump Assembly | 62 |

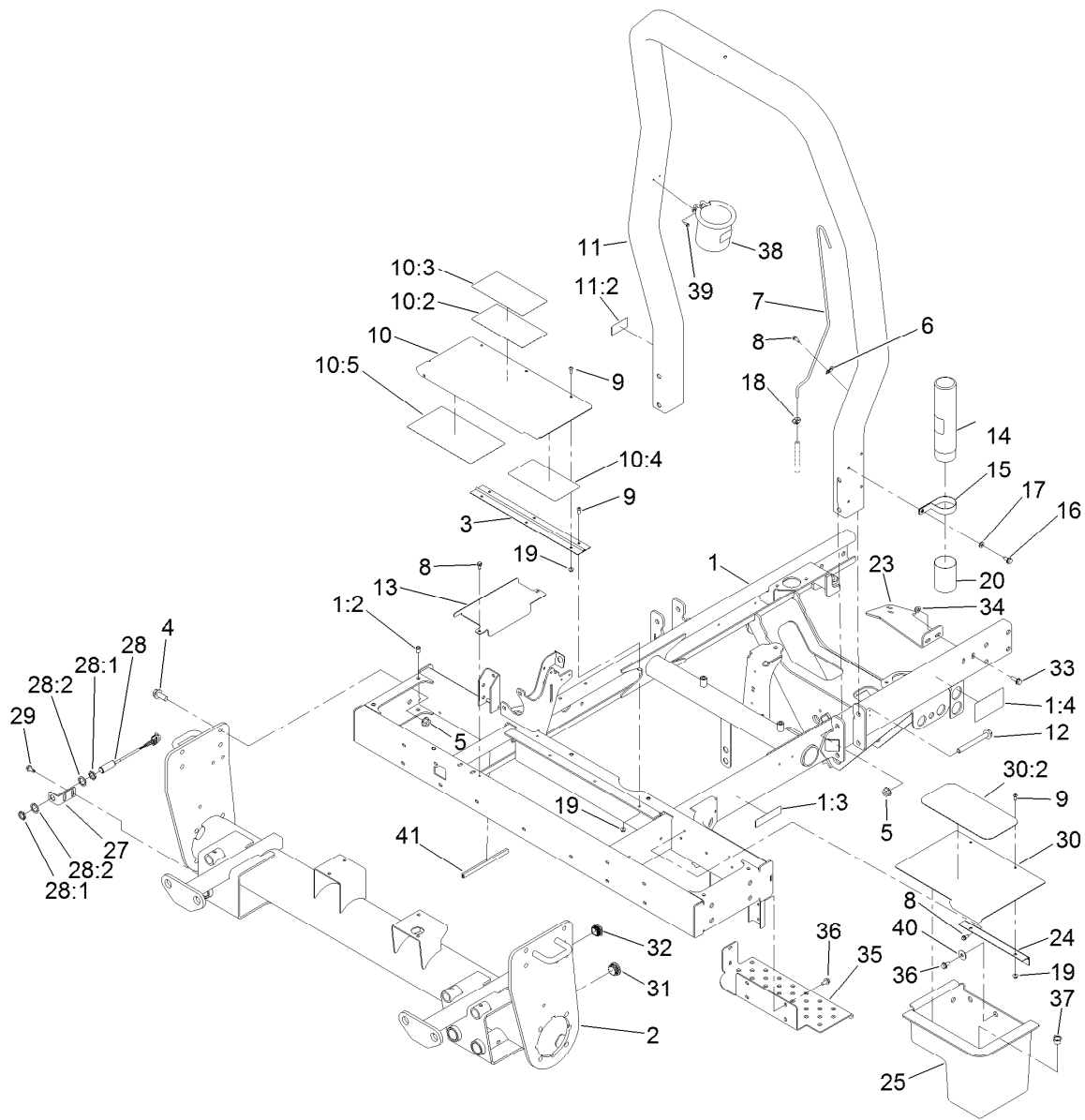
Contents (continued)

| | |
|--|----|
| Governor Assembly | 63 |
| Speed Control Plate Assembly | 64 |
| Nozzle Holder and Glow Plug Assembly | 65 |
| Nozzle Holder Assembly | 66 |
| Alternator, Pulley and Fan Assembly | 67 |
| Alternator Components Assembly | 68 |
| Starter and Flywheel Assembly | 69 |
| Starter Component Assembly | 70 |
| Water Flange and Thermostat Assembly | 71 |
| Water Pump Assembly | 72 |
| Valve and Rocker Arm Assembly | 73 |
| Inlet and Exhaust Manifold Assembly | 74 |
| Miscellaneous Engine Parts | 75 |
| Attachments and Accessories | 76 |



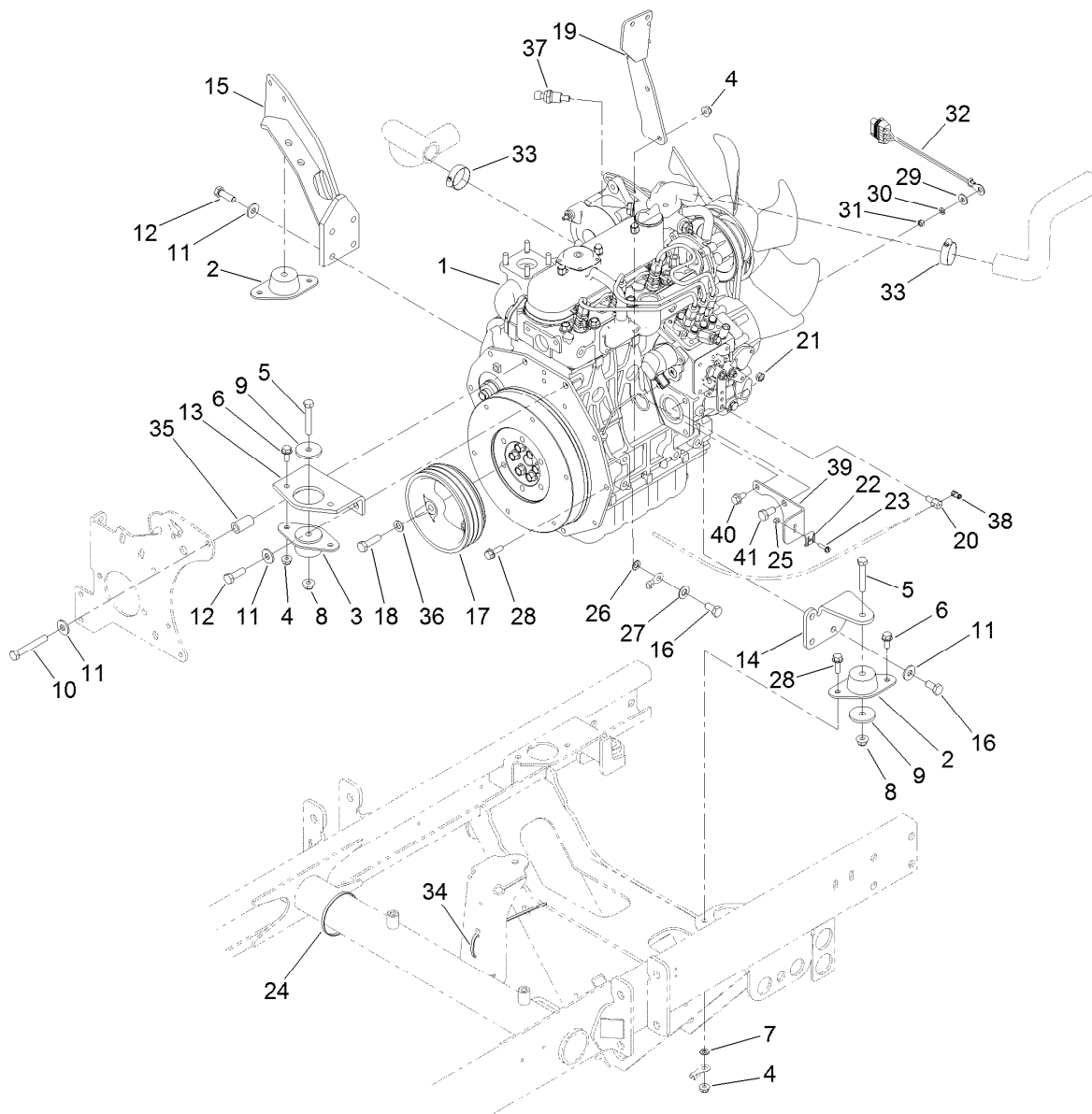
Frame and Front Axle Assembly

| Ref. | Part Number | Qty. | Description | Ref. | Part Number | Qty. | Description |
|------|-------------|------|-------------------------|------|-------------|------|-----------------------------|
| 1 | 133-4935 | 1 | Frame ASM | 14 | 104-7050 | 1 | Tube-Manual |
| 1:2 | 32148-6 | 3 | Nut-Clinch | 15 | 2412-133 | 2 | Clamp-R |
| 1:3 | 133-8062 | 1 | Decal-Arrestor, Spark | 16 | 32144-70 | 2 | Screw-HWHTF |
| 1:4 | 117-3270 | 2 | Decal-Danger | 17 | 3256-23 | 2 | Washer-Plain |
| 2 | 127-8433-03 | 1 | Front Axle ASM | 18 | 2412-108 | 1 | Clamp-Worm |
| 3 | 127-8517 | 1 | Hinge-Toolbox | 19 | 104-7201 | 8 | Nut-HF, NI |
| 4 | 3234-38 | 8 | Screw-HHF | 20 | 104-7048 | 1 | Cap-Housing |
| 5 | 32128-49 | 12 | Nut-HHF | 23 | 138-6940-03 | 1 | Bracket-Filter |
| 6 | 2412-72 | 2 | Clip-Closed, Insulated | 24 | 127-8589 | 1 | Hinge-Toolbox |
| 7 | 95-8615 | 1 | Tube-Breather | 25 | 127-8590 | 1 | Box-Storage |
| 8 | 32144-10 | 6 | Screw-HWH | 27 | 127-8520 | 1 | Bracket-Switch |
| 9 | 119-6906 | 8 | Screw-HSBH | 28 | 115-5300 | 1 | Proximity Switch ASM |
| 10 | 127-8515 | 1 | Toolbox Cover ASM | 28:1 | 117-3207 | 2 | Nut-Hex |
| 10:2 | 120-1683 | 1 | Decal-Danger | 28:2 | 117-3208 | 2 | Washer-Lock, Internal Tooth |
| 10:3 | 138-1186 | 1 | Decal-Danger | 29 | 32104-32 | 2 | Screw-HWH |
| 10:4 | 121-7884 | 1 | Decal-Reel Speed | 30 | 127-8565 | 1 | Cover ASM |
| 10:5 | 138-6981 | 1 | Decal-Service, Rm35Xx-D | 30:2 | 75-0620 | 1 | Tread-Foot, LH |
| 11 | 127-8493 | 1 | ROPS ASM | 31 | 117-0946 | 3 | Plug-Plastic |
| 11:2 | 127-8596 | 1 | Decal-ROPS | 32 | 110-9013 | 2 | Caplug |
| 12 | 117-3176 | 4 | Screw-HHF | 33 | 3234-29 | 2 | Screw-HHF |
| 13 | 127-8547-01 | 1 | Cover-Battery, Inner | 34 | 104-8300 | 2 | Nut-HF, NI |



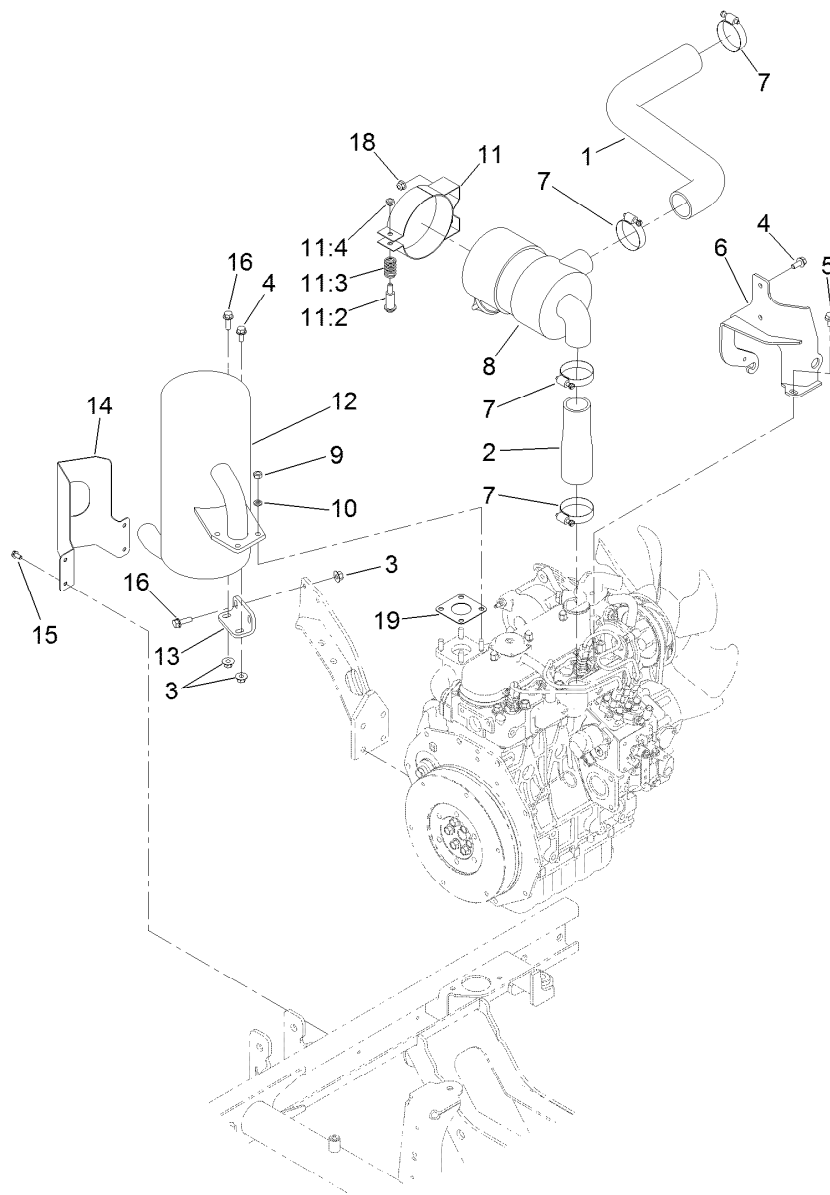
Frame and Front Axle Assembly (continued)

| <i>Ref.</i> | <i>Part Number</i> | <i>Qty.</i> | <i>Description</i> | <i>Ref.</i> | <i>Part Number</i> | <i>Qty.</i> | <i>Description</i> |
|-------------|--------------------|-------------|--------------------|-------------|--------------------|-------------|--------------------|
| 35 | 127-8443-03 | 1 | Step | 39 | 32144-1 | 2 | Screw-TapTite |
| 36 | 32144-14 | 11 | Screw-HWHTF | 40 | 3256-35 | 5 | Washer-Flat |
| 37 | 2410-72 | 1 | Caplug (L-9) | 41 | 127-6619 | 1 | Strip-Seal |
| 38 | 117-2378 | 1 | Holder-Bag | | | | |



Engine Mount Assembly

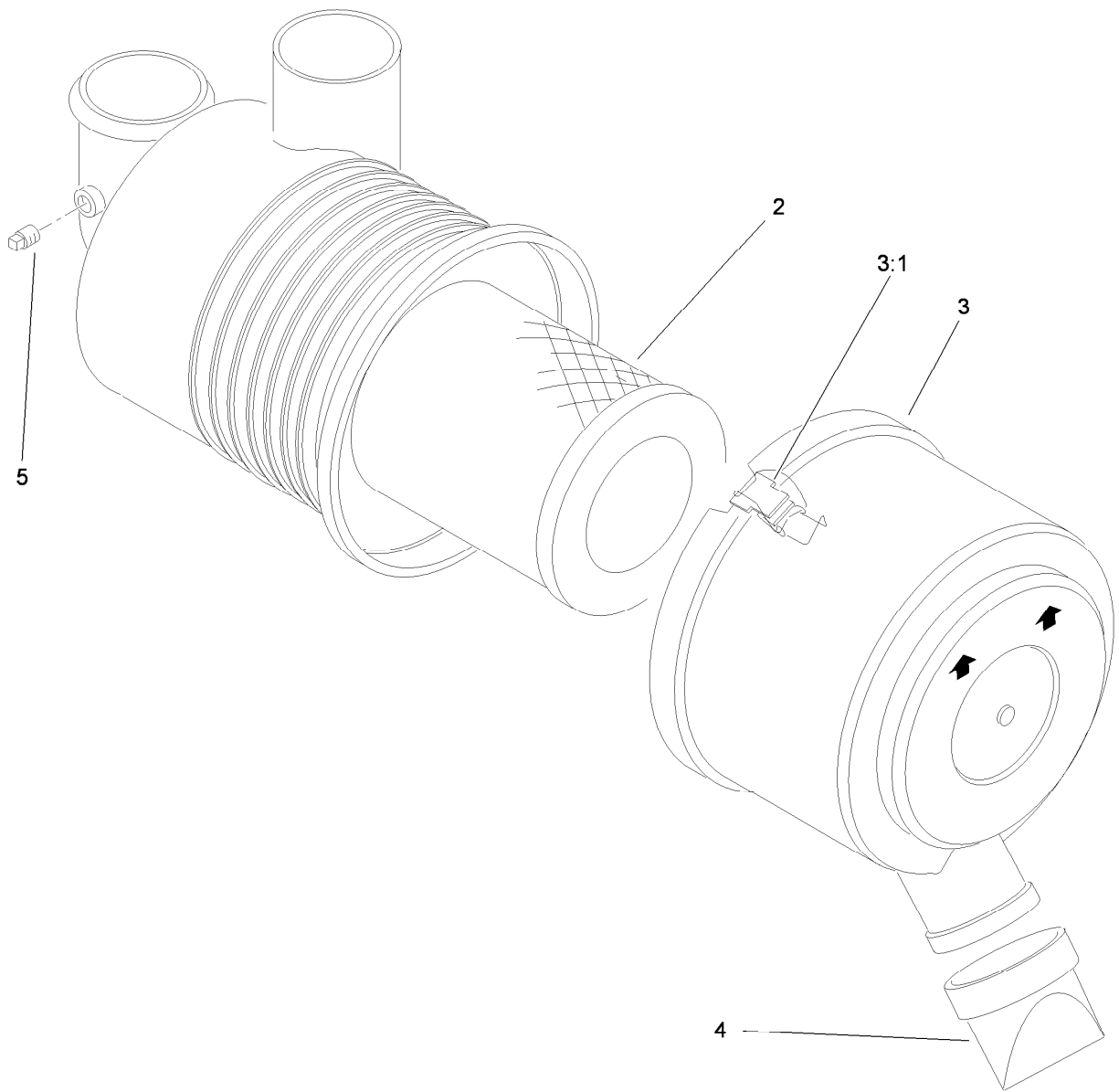
| Ref. | Part Number | Qty. | Description | Ref. | Part Number | Qty. | Description |
|------|-------------|------|----------------------------|------|-------------|------|----------------------------|
| 1 | 138-6908 | 1 | Engine-Kubota, D1105 | 22 | 81-1690 | 1 | Clamp-Cable |
| 2 | 121-9076 | 2 | Mount-Engine | 23 | 32105-13 | 1 | Screw-HWH |
| 3 | 93-5265 | 1 | Mount-Engine | 24 | 3290-379 | 2 | Tie-Cable |
| 4 | 32128-20 | 8 | Nut-HF | 25 | 3296-2 | 1 | Nut-Lock, NI |
| 5 | 323-11 | 3 | Screw-HH | 26 | 3255-9 | 1 | Washer-Lock |
| 6 | 3234-5 | 5 | Screw-HHF | 27 | 3256-25 | 1 | Washer-Flat |
| 7 | 3255-8 | 1 | Washer-Lock | 28 | 3234-17 | 3 | Screw-HHF |
| 8 | 104-8301 | 3 | Nut-HF, NI | 29 | 3256-78 | 1 | Washer-Flat |
| 9 | 80-8560 | 3 | Washer-Hardened | 30 | 43-5930 | 1 | Washer-Lock, Spring |
| 10 | 42-9370 | 1 | Screw-HH | 31 | 48-7890 | 1 | Nut-Hex |
| 11 | 80-6990 | 9 | Washer-Hardened | 32 | 99-3441 | 1 | Harness-Wire, Fusible Link |
| 12 | 95-8812 | 5 | Screw-HH | 33 | 2412-34 | 2 | Clamp-Hose |
| 13 | 99-3618-03 | 1 | Mount-Engine, Front | 34 | 3290-378 | 14 | Tie-Cable |
| 14 | 95-8937-03 | 1 | Mount-Engine, LH | 35 | 95-8736 | 1 | Spacer |
| 15 | 100-4838-03 | 1 | Mount-Engine | 36 | 3256-24 | 3 | Screw-Plain |
| 16 | 63-7790 | 4 | Screw-Cap | 37 | 119-4478 | 1 | Sender-Temperature |
| 17 | 99-3626 | 1 | Pulley-3V | 38 | 112-9919 | 1 | Stop-Cable, Throttle |
| 18 | 56-2140 | 3 | Screw-HH | 39 | 110-9009-03 | 1 | Bracket-Cable, Throttle |
| 19 | 115-3487-03 | 1 | Bracket-Mount, Fuel Filter | 40 | 33104-016 | 1 | Screw-HHF |
| 20 | 98-9311 | 1 | Swivel-Throttle | 41 | 70-8470 | 1 | Screw-HH |
| 21 | 3296-20 | 1 | Nut-Lock, NI | | | | |



Muffler and Air Cleaner Assembly

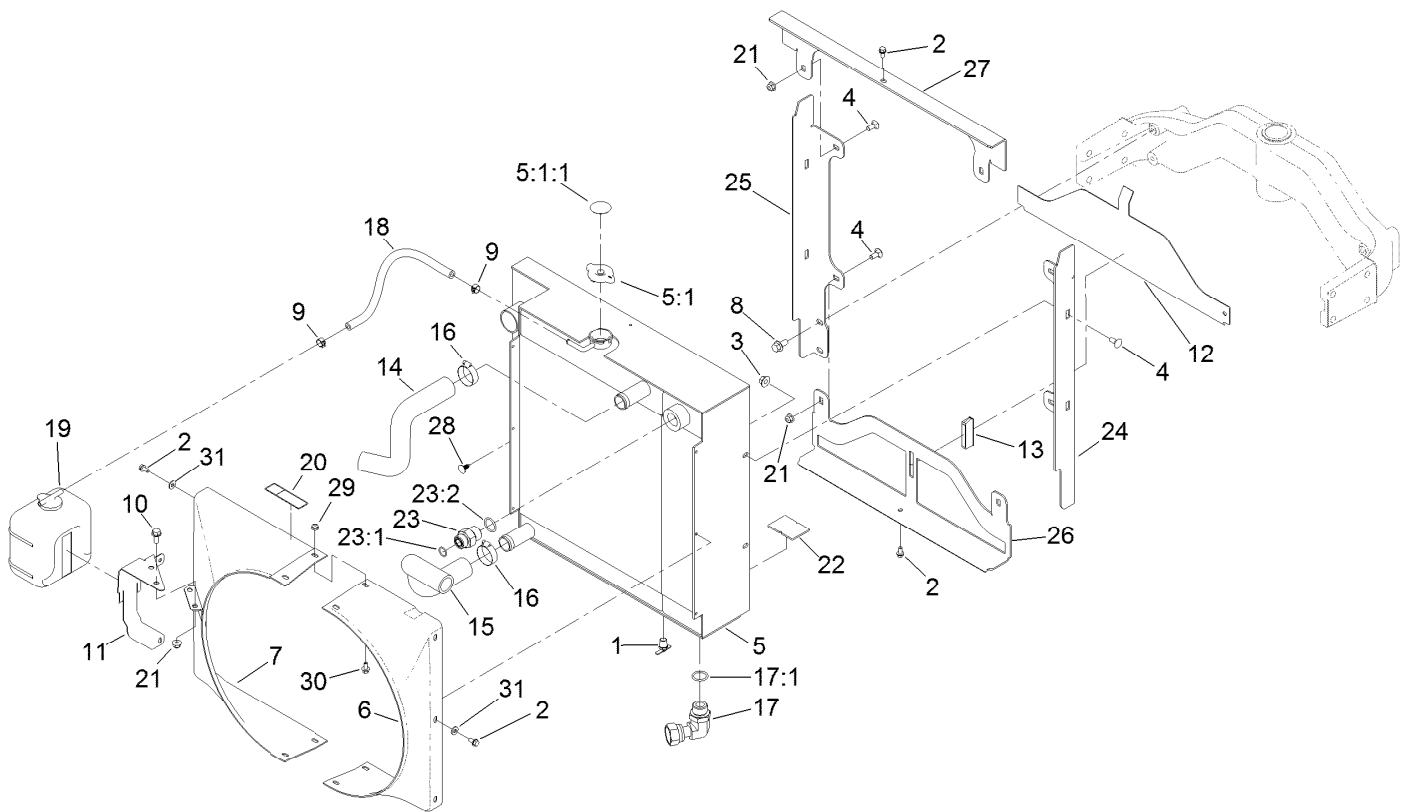
| Ref. | Part Number | Qty. | Description |
|------|-------------|------|----------------------------------|
| 1 | 121-7834 | 1 | Hose-Air Intake, Upper |
| 2 | 95-8947 | 1 | Hose-Air Inlet, Lower |
| 3 | 32128-44 | 4 | Nut |
| 4 | 3234-5 | 3 | Screw-HHF |
| 5 | 33104-016 | 3 | Screw-HHF |
| 6 | 136-3154-03 | 1 | Bracket |
| 7 | 2412-92 | 4 | Clamp-Hose |
| 8 | 93-2190 | 1 | Air Cleaner ASM |
| 9 | 33014-00 | 4 | Nut-Hex |
| 10 | 3253-4 | 4 | Washer-Lock |
| 11 | 93-2191 | 1 | Air Cleaner Mounting Band ASM |

| Ref. | Part Number | Qty. | Description |
|------|-------------|------|-----------------|
| 11:2 | 94-3653 | 1 | Bolt |
| 11:3 | 94-3654 | 1 | Spring |
| 11:4 | 48-9510 | 1 | *obs* Nut |
| 12 | 104-4834 | 1 | Muffler |
| 13 | 95-8943-03 | 1 | Bracket-Muffler |
| 14 | 99-3425-03 | 1 | Guard-Exhaust |
| 15 | 32144-4 | 4 | Screw-HWH |
| 16 | 3234-17 | 3 | Screw-HHF |
| 18 | 104-8300 | 2 | Nut-HF, NI |
| 19 | 98-9611 | 1 | Gasket |



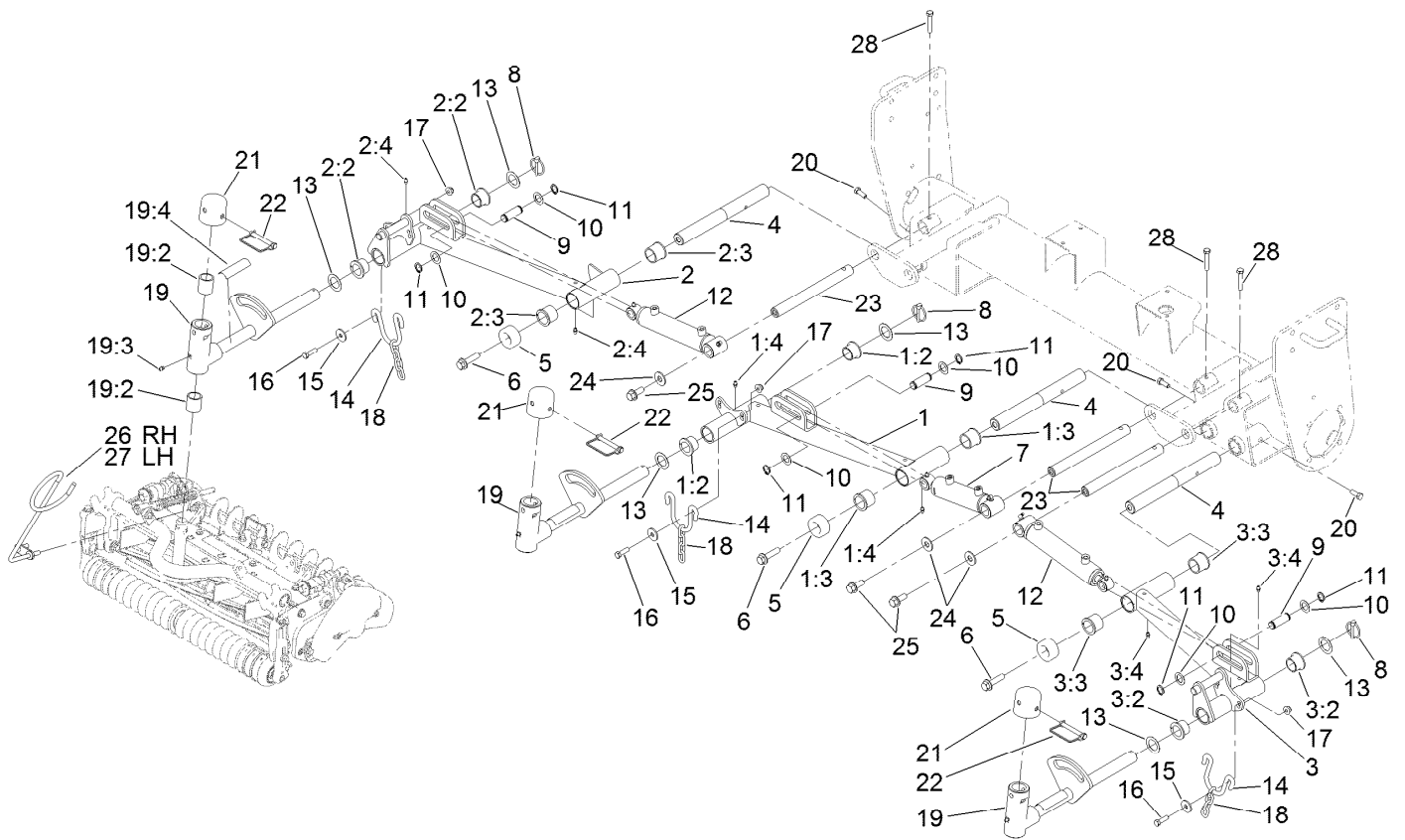
Air Cleaner Assembly No. 93-2190

| <i>Ref.</i> | <i>Part Number</i> | <i>Qty.</i> | <i>Description</i> |
|-------------|--------------------|-------------|--------------------|
| 2 | 108-3811 | 1 | Filter-Air |
| 3 | 94-3652 | 1 | Cover ASM |
| 3:1 | 1-643283 | 2 | Latch-Cleaner, Air |
| 4 | 87-9400 | 1 | Valve-Vacuator |
| 5 | 285-17 | 1 | Plug-Pipe |



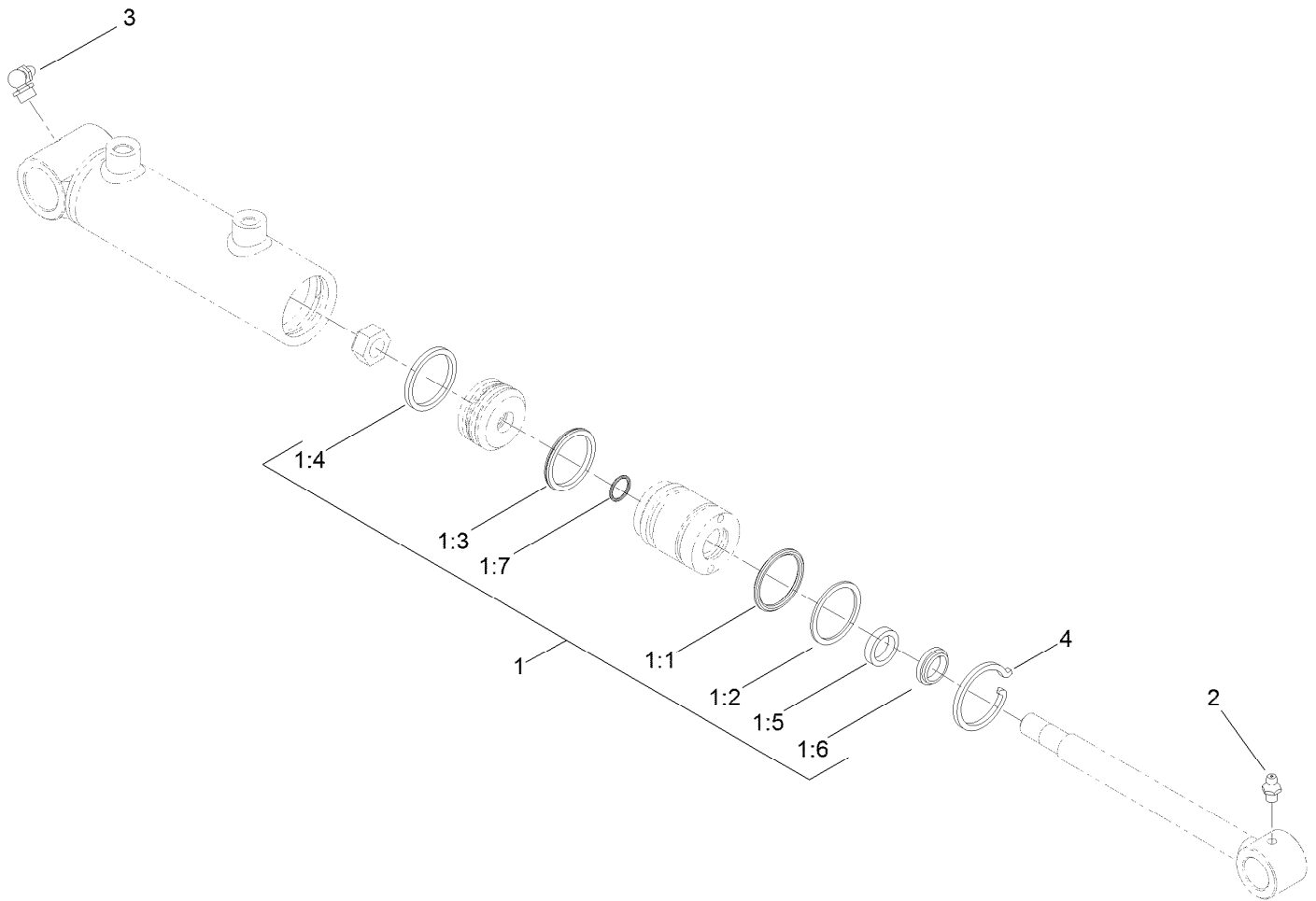
Radiator and Oil Cooler Assembly

| Ref. | Part Number | Qty. | Description | Ref. | Part Number | Qty. | Description |
|-------|-------------|------|--------------------------------|------|-------------|------|--------------------------|
| 1 | 304-46 | 1 | Draincock | 17 | 94-2636 | 1 | Fitting ASM |
| 2 | 32104-116 | 8 | Screw-HWHTF | 17:1 | 237-81 | 1 | O-Ring |
| 3 | 32128-44 | 4 | Nut | 18 | 109-0274 | 1 | Hose-Fuel |
| 4 | 3230-1 | 8 | Bolt-CARR | 19 | 108-0638 | 1 | Bottle-Overflow |
| 5 | 119-2028 | 1 | Radiator And Oil Cooler ASM | 20 | 120-0627 | 1 | Decal-Warning |
| 5:1 | 115-7766 | 1 | Cap-Radiator | 21 | 104-8300 | 6 | Nut-HF, NI |
| 5:1:1 | 106-6755 | 1 | Decal-Cap, Radiator | 22 | 104-9459 | 2 | Seal-Foam |
| 6 | 121-7853 | 1 | Shroud-LH | 23 | 340-8 | 1 | Fitting-Straight |
| 7 | 133-4918 | 1 | Shroud-RH | 23:1 | 237-65 | 1 | O-Ring |
| 8 | 3234-1 | 4 | Screw-HHF | 23:2 | 237-81 | 1 | O-Ring |
| 9 | 92-2379 | 2 | Clamp-Hose | 24 | 120-3531-03 | 1 | Bracket-Radiator, LH |
| 10 | 3234-5 | 2 | Screw-HHF | 25 | 120-3532-03 | 1 | Bracket-Radiator, RH |
| 11 | 133-4919-03 | 1 | Bracket-Reservoir | 26 | 120-3530-03 | 1 | Bracket-Radiator, Bottom |
| 12 | 95-8702-03 | 1 | Shield-Radiator, Lower | 27 | 120-3529-03 | 1 | Bracket-Radiator, Top |
| 13 | 99-3497 | 1 | Magnet | 28 | 117-2382 | 2 | Plug-Plastic |
| 14 | 120-2193 | 1 | Hose-Radiator, Upper | 29 | 104-7201 | 4 | Nut-HF, NI |
| 15 | 120-3353 | 1 | Hose-Radiator, Lower | 30 | 3234-13 | 4 | Screw-HHF |
| 16 | 2412-34 | 2 | Clamp-Hose | 31 | 3256-22 | 4 | Washer-Flat |



No. 1, No. 4 and No. 5 Lift Arm Assembly

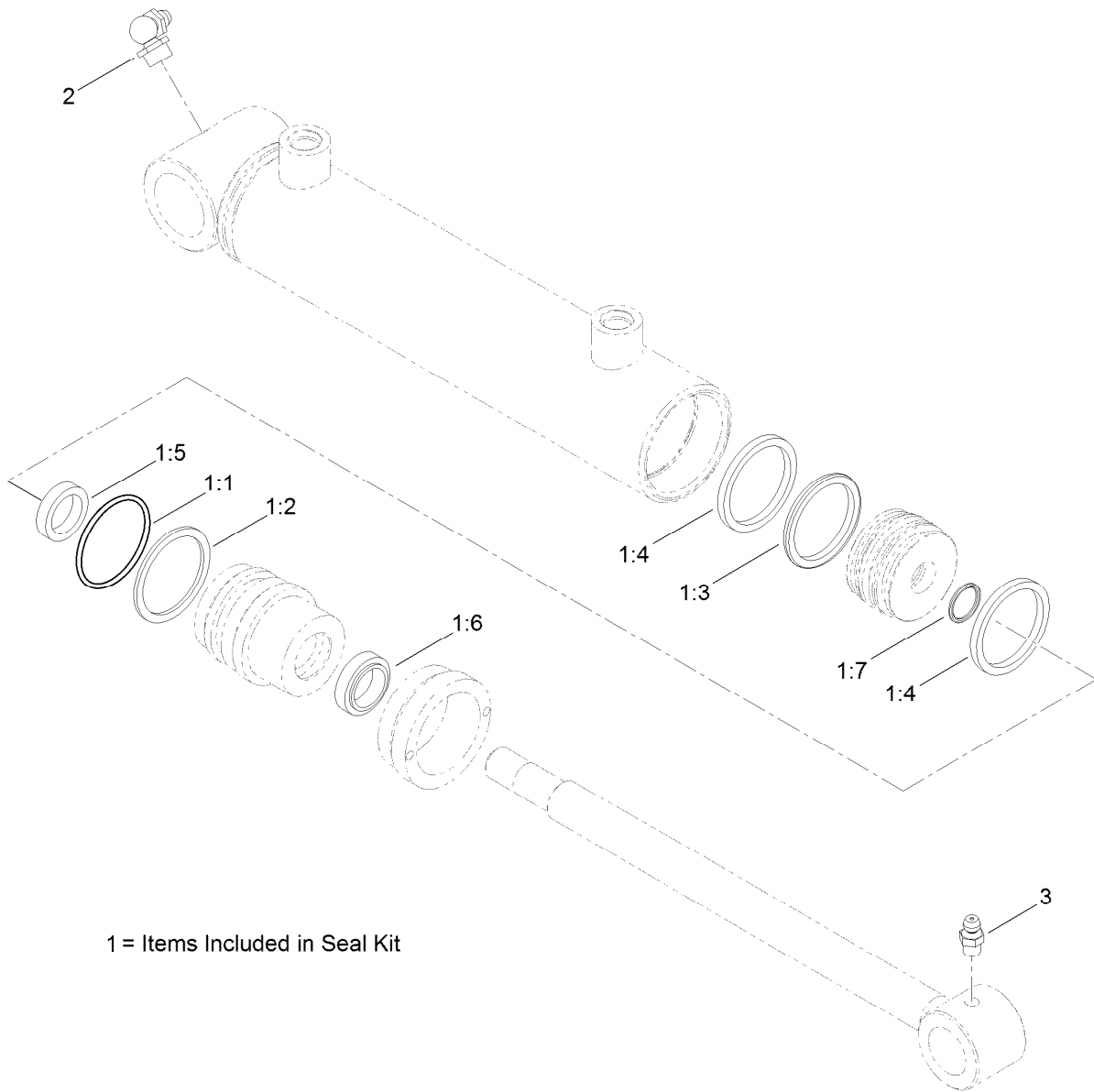
| Ref. | Part Number | Qty. | Description | Ref. | Part Number | Qty. | Description |
|------|-------------|------|---------------------|------|-------------|------|------------------------|
| 1 | 127-8461 | 1 | No. 1 Lift Arm ASM | 12 | 127-8539 | 2 | Cylinder-HYD |
| 1:2 | 121-7863 | 2 | Bushing-Special | 13 | 120-2183 | 6 | Washer-Thrust |
| 1:3 | 104-0015 | 2 | Bushing-Flange | 14 | 120-9962 | 3 | Hoop-Chain |
| 1:4 | 302-5 | 2 | Fitting-Grease | 15 | 63-8410 | 6 | Washer |
| 2 | 127-8470 | 1 | No. 5 Lift Arm ASM | 16 | 323-7 | 6 | Screw-HH |
| 2:2 | 121-7863 | 2 | Bushing-Special | 17 | 104-8301 | 9 | Nut-HF, NI |
| 2:3 | 104-0015 | 2 | Bushing-Flange | 18 | 84-2450 | 3 | Chain-Straight, 4-Link |
| 2:4 | 302-5 | 2 | Fitting-Grease | 19 | 127-8477 | 3 | Pivot Yoke ASM |
| 3 | 127-8468 | 1 | No. 4 Lift Arm ASM | 19:2 | 121-3187 | 2 | Bushing |
| 3:2 | 121-7863 | 2 | Bushing-Special | 19:3 | 302-5 | 1 | Fitting-Grease |
| 3:3 | 104-0015 | 2 | Bushing-Flange | 19:4 | 110-9642 | 1 | Decal-Warning |
| 3:4 | 302-5 | 2 | Fitting-Grease | 20 | 323-6 | 3 | Screw-HH |
| 4 | 127-8524 | 3 | Pin-Lift Arm | 21 | 107-4027 | 3 | Cap |
| 5 | 121-7855 | 3 | Bumper-Recessed | 22 | 107-7400 | 3 | Pin-Lynch |
| 6 | 3234-27 | 3 | Screw-HHF | 23 | 127-8540 | 3 | Pin-Cylinder |
| 7 | 119-6989 | 1 | HYD Cylinder ASM | 24 | 3256-6 | 3 | Washer-Flat |
| 8 | 92-1298 | 3 | Pin-Lynch | 25 | 3234-32 | 3 | Screw-HHF |
| 9 | 104-0046 | 3 | Pin-Slide, Cylinder | 26 | 119-3920 | 1 | Guide-Hose, RH |
| 10 | 3-6498 | 6 | Washer-Thrust | 27 | 119-3921 | 1 | Guide-Hose, LH |
| 11 | 32120-93 | 6 | Ring-Retaining | 28 | 323-10 | 3 | Screw-HH |



Hydraulic Cylinder Assembly No. 119-6989

| Ref. | Part Number | Qty. | Description |
|------|-------------|------|----------------|
| 1 | 119-6992 | 1 | Seal Kit |
| 1:1 | | 1 | O-Ring ● |
| 1:2 | | 1 | Backup ● |
| 1:3 | | 1 | Bp Seal ● |
| 1:4 | | 1 | Wear Ring-Ht ● |
| 1:5 | | 1 | Bs Seal ● |
| 1:6 | | 1 | Dust Seal-Dt ● |
| 1:7 | | 1 | O-Ring ● |
| 2 | 302-5 | 1 | Fitting-Grease |
| 3 | 302-60 | 1 | Fitting-Grease |
| 4 | 84-1680 | 1 | Ring-Retaining |

● Not serviced separately

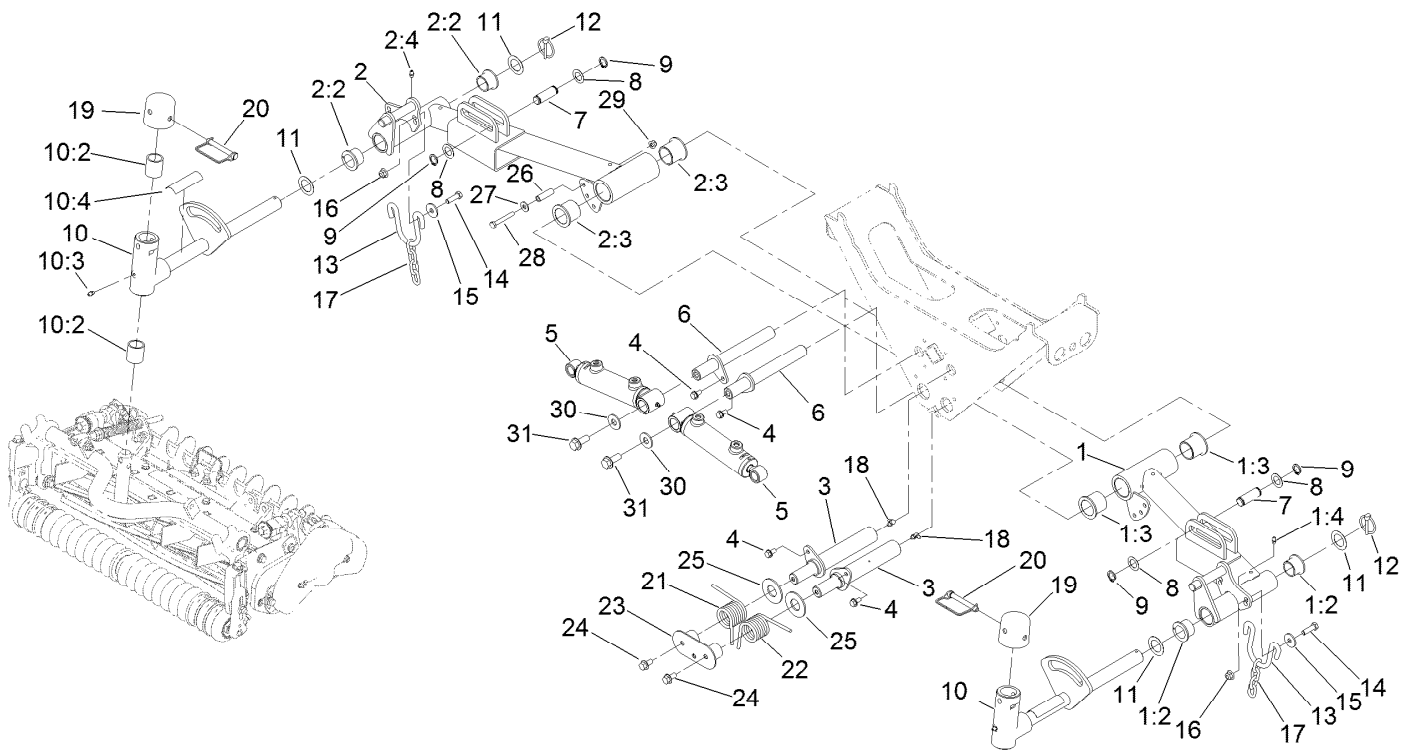


1 = Items Included in Seal Kit

Hydraulic Cylinder Assembly No. 127-8539

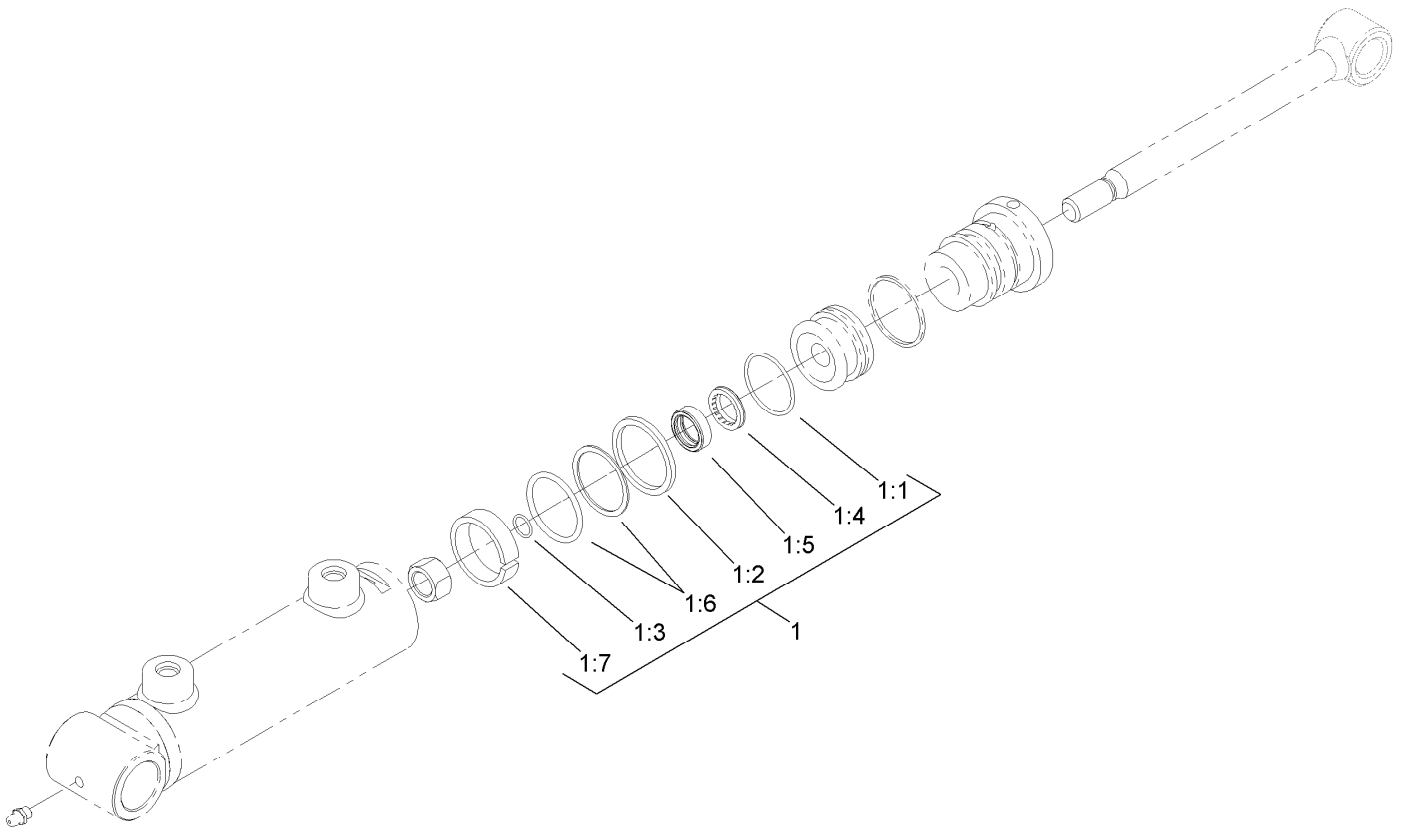
| Ref. | Part Number | Qty. | Description |
|------|-------------|------|----------------|
| 1 | 127-8587 | 1 | Seal Kit |
| 1:1 | | 1 | O-Ring ● |
| 1:2 | | 1 | Backup ● |
| 1:3 | | 1 | Bp Seal ● |
| 1:4 | | 1 | Wear Ring-Ht ● |
| 1:5 | | 1 | Bt Seal ● |
| 1:6 | | 1 | Dust Seal-Dt ● |
| 1:7 | | 1 | O-Ring ● |
| 2 | 302-5 | 1 | Fitting-Grease |
| 3 | 302-33 | 1 | Fitting-Grease |

● Not serviced separately



No. 2 and No. 3 Lift Arm Assembly

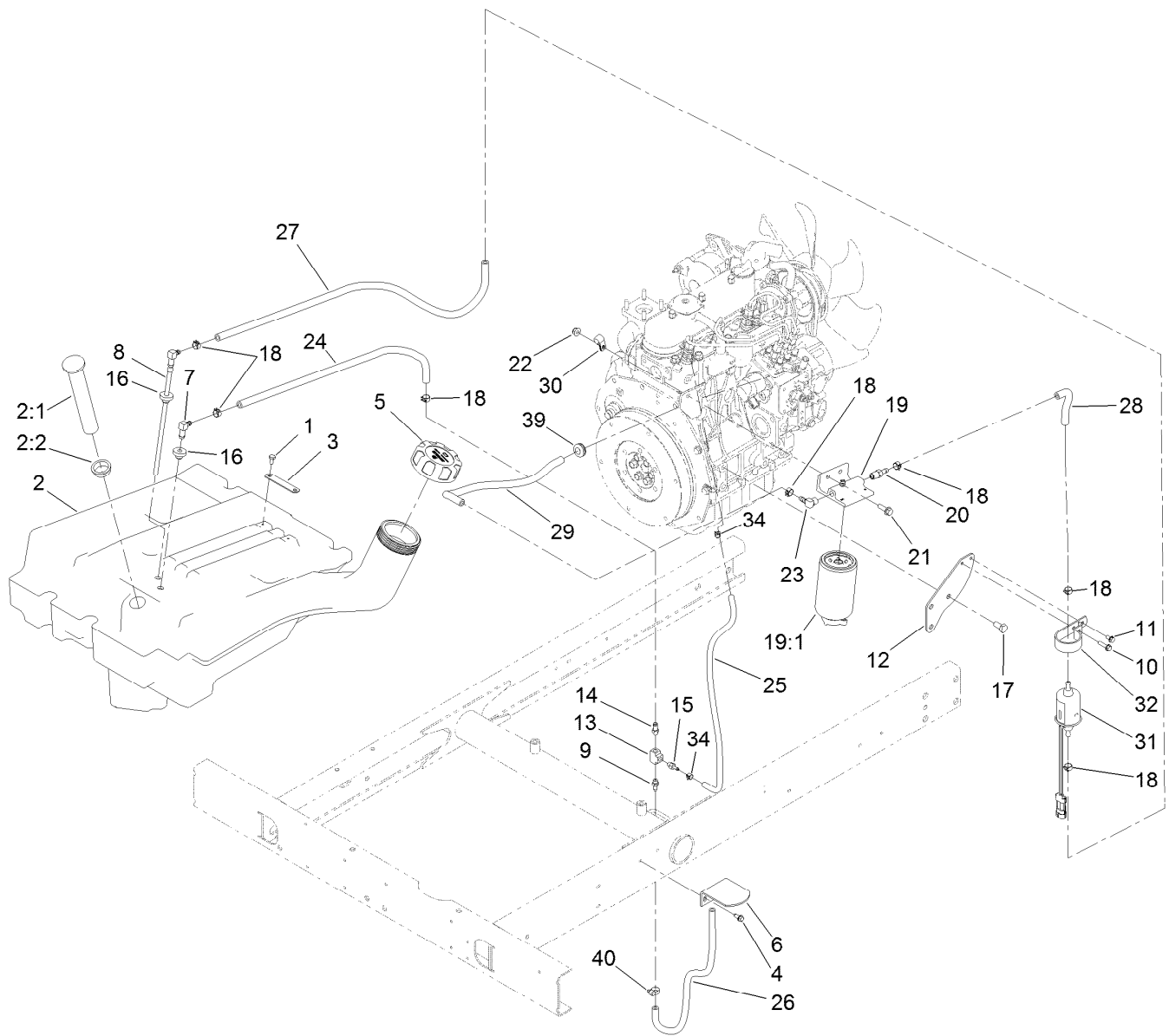
| <i>Ref.</i> | <i>Part Number</i> | <i>Qty.</i> | <i>Description</i> | <i>Ref.</i> | <i>Part Number</i> | <i>Qty.</i> | <i>Description</i> |
|-------------|--------------------|-------------|---------------------|-------------|--------------------|-------------|------------------------|
| 1 | 133-4939 | 1 | No. 2 Lift Arm ASM | 12 | 92-1298 | 2 | Pin-Lynch |
| 1:2 | 121-7863 | 2 | Bushing-Special | 13 | 120-9962 | 2 | Hoop-Chain |
| 1:3 | 69-6470 | 2 | Bushing-Caster | 14 | 323-7 | 4 | Screw-HH |
| 1:4 | 302-5 | 1 | Fitting-Grease | 15 | 63-8410 | 4 | Washer |
| 2 | 133-4941 | 1 | No. 3 Lift Arm ASM | 16 | 104-8301 | 4 | Nut-HF, NI |
| 2:2 | 121-7863 | 2 | Bushing-Special | 17 | 84-2450 | 2 | Chain-Straight, 4-Link |
| 2:3 | 69-6470 | 2 | Bushing-Caster | 18 | 302-60 | 4 | Fitting-Grease |
| 2:4 | 302-5 | 1 | Fitting-Grease | 19 | 107-4027 | 2 | Cap |
| 3 | 127-8504 | 2 | Pin ASM | 20 | 107-7400 | 2 | Pin-Lynch |
| 4 | 32144-14 | 4 | Screw-HWHTF | 21 | 127-8580 | 1 | Spring-Torsion, RH |
| 5 | 108-4436 | 2 | Cylinder-HYD, Lift | 22 | 127-8581 | 1 | Spring-Torsion, LH |
| 6 | 133-4931 | 2 | Pin | 23 | 127-8583-03 | 1 | Catch ASM |
| 7 | 104-0046 | 2 | Pin-Slide, Cylinder | 24 | 3234-1 | 2 | Screw-HHF |
| 8 | 3-6498 | 4 | Washer-Thrust | 25 | 104-6126 | 2 | Washer-Flat |
| 9 | 32120-93 | 4 | Ring-Retaining | 26 | 107-0285 | 2 | Spacer |
| 10 | 127-8477 | 2 | Pivot Yoke ASM | 27 | 3256-3 | 2 | Washer-Flat |
| 10:2 | 121-3187 | 2 | Bushing | 28 | 322-11 | 2 | Screw-HH |
| 10:3 | 302-5 | 1 | Fitting-Grease | 29 | 104-8300 | 2 | Nut-HF, NI |
| 10:4 | 110-9642 | 1 | Decal-Warning | 30 | 3256-6 | 2 | Washer-Flat |
| 11 | 120-2183 | 4 | Washer-Thrust | 31 | 3234-38 | 2 | Screw-HHF |



Hydraulic Cylinder Assembly No. 108-4436

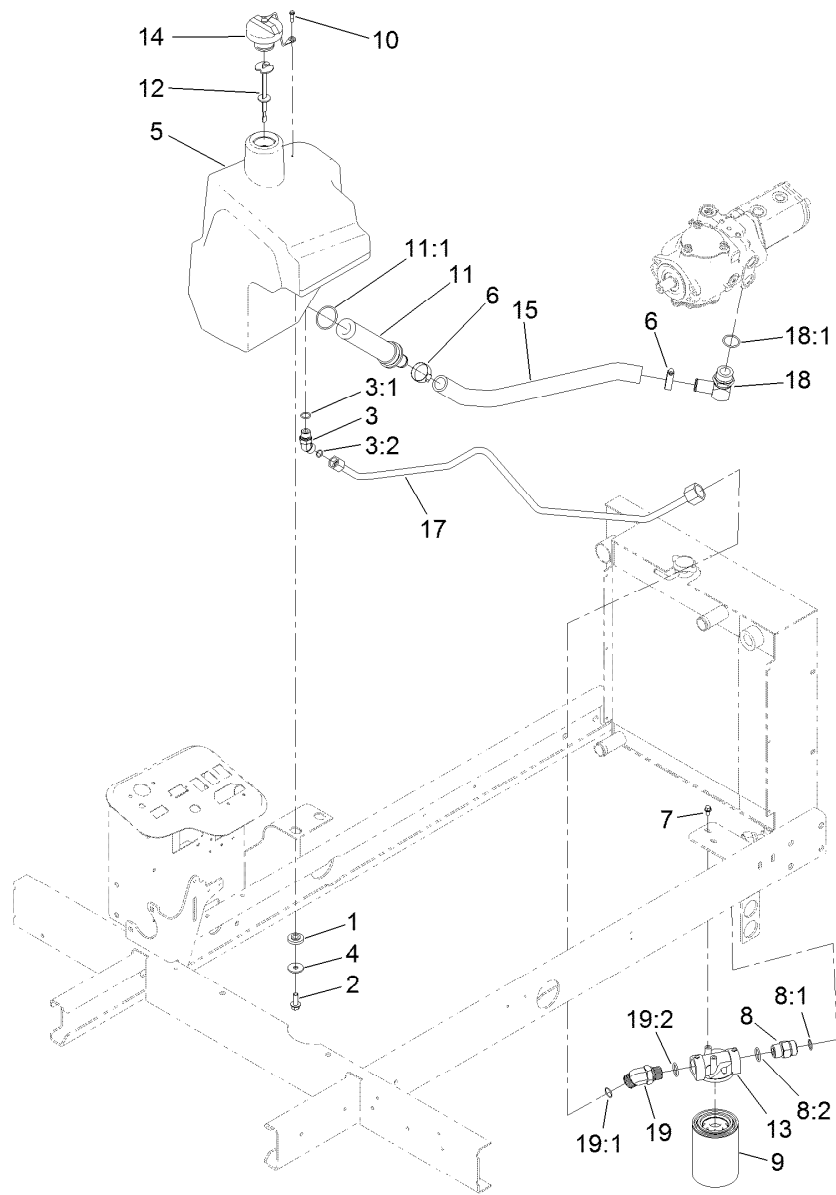
| <i>Ref.</i> | <i>Part Number</i> | <i>Qty.</i> | <i>Description</i> |
|-------------|--------------------|-------------|--------------------|
| 1 | 110-4132 | 1 | Seal Kit |
| 1:1 | | 1 | O-Ring ● |
| 1:2 | | 1 | Back-Up Ring ● |
| 1:3 | | 1 | O-Ring ● |
| 1:4 | | 1 | Wiper ● |
| 1:5 | | 1 | Seal ● |
| 1:6 | | 1 | Seal W/Loader ● |
| 1:7 | | 1 | Wear Ring ● |

● Not serviced separately



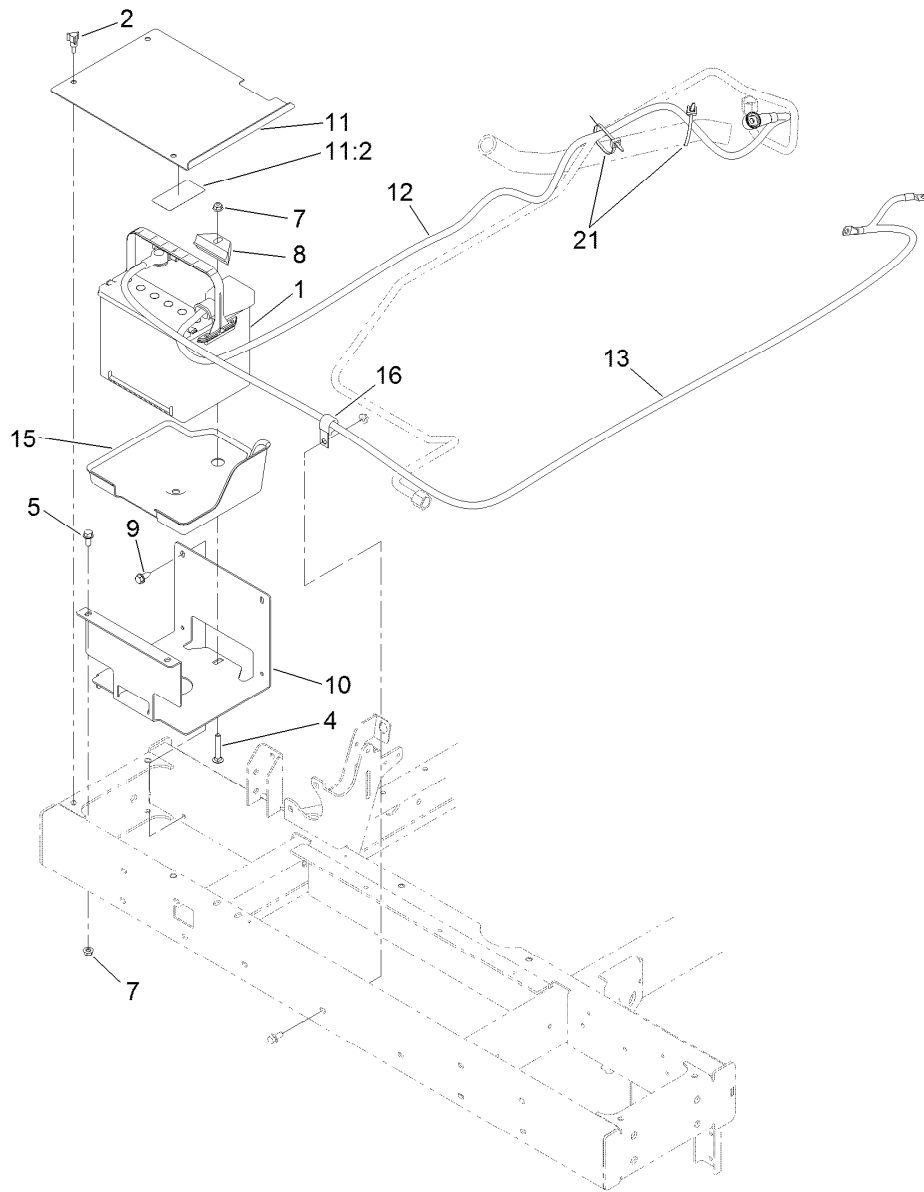
Fuel Tank and Filter Assembly

| Ref. | Part Number | Qty. | Description | Ref. | Part Number | Qty. | Description |
|------|-------------|------|------------------------|------|-------------|------|----------------------------|
| 1 | 321-2 | 2 | Screw-HH | 18 | 92-2379 | 7 | Clamp-Hose |
| 2 | 95-8620 | 1 | Tank-Fuel | 19 | 110-9044 | 1 | Separator-Filter |
| 2:1 | 95-8971 | 1 | Gauge-Fuel | 19:1 | 110-9049 | 1 | Filter-Spin On, Fuel/Water |
| 2:2 | 95-8972 | 1 | Grommet | 20 | 353-783 | 1 | Fitting-STR |
| 3 | 95-8881 | 1 | Strap-Line, Fuel | 21 | 3234-17 | 2 | Screw-HHF |
| 4 | 32144-10 | 2 | Screw-HWH | 22 | 104-8300 | 2 | Nut-HF, NI |
| 5 | 114-5064 | 1 | Cap-Diesel | 23 | 353-781 | 1 | Fitting-HYD, 90 |
| 6 | 95-8968-03 | 1 | Support-Tank, Fuel | 24 | 110-6187 | 1 | Hose-Fuel |
| 7 | 46-6550 | 1 | Fitting-Elbow, 90 DEG | 25 | 110-8751 | 1 | Hose-Fuel |
| 8 | 110-9689 | 1 | Pipe-Stand | 26 | 110-5701 | 1 | Hose-Fuel |
| 9 | 304-73 | 1 | Fitting-Straight | 27 | 121-7914 | 1 | Hose-Fuel |
| 10 | 32144-86 | 1 | Screw-HWHTF | 28 | 117-4026 | 1 | Hose-Fuel |
| 11 | 32144-4 | 1 | Screw-HWH | 29 | 121-7852 | 1 | Hose-Fuel |
| 12 | 120-2182-03 | 1 | Plate-Mount, Fuel Pump | 30 | 2412-10 | 1 | Clamp-R |
| 13 | 354-20 | 1 | Fitting-Tee | 31 | 110-8806 | 1 | Pump-Fuel |
| 14 | 354-21 | 1 | Fitting-Barbed | 32 | 110-8817 | 1 | Bracket-Pump, Fuel |
| 15 | 354-22 | 1 | Fitting-Barbed | 34 | 2412-80 | 2 | Clamp-Hose |
| 16 | 46-6560 | 2 | Bushing | 39 | 1-543296 | 1 | Grommet |
| 17 | 63-7790 | 3 | Screw-Cap | 40 | 2412-108 | 2 | Clamp-Worm |



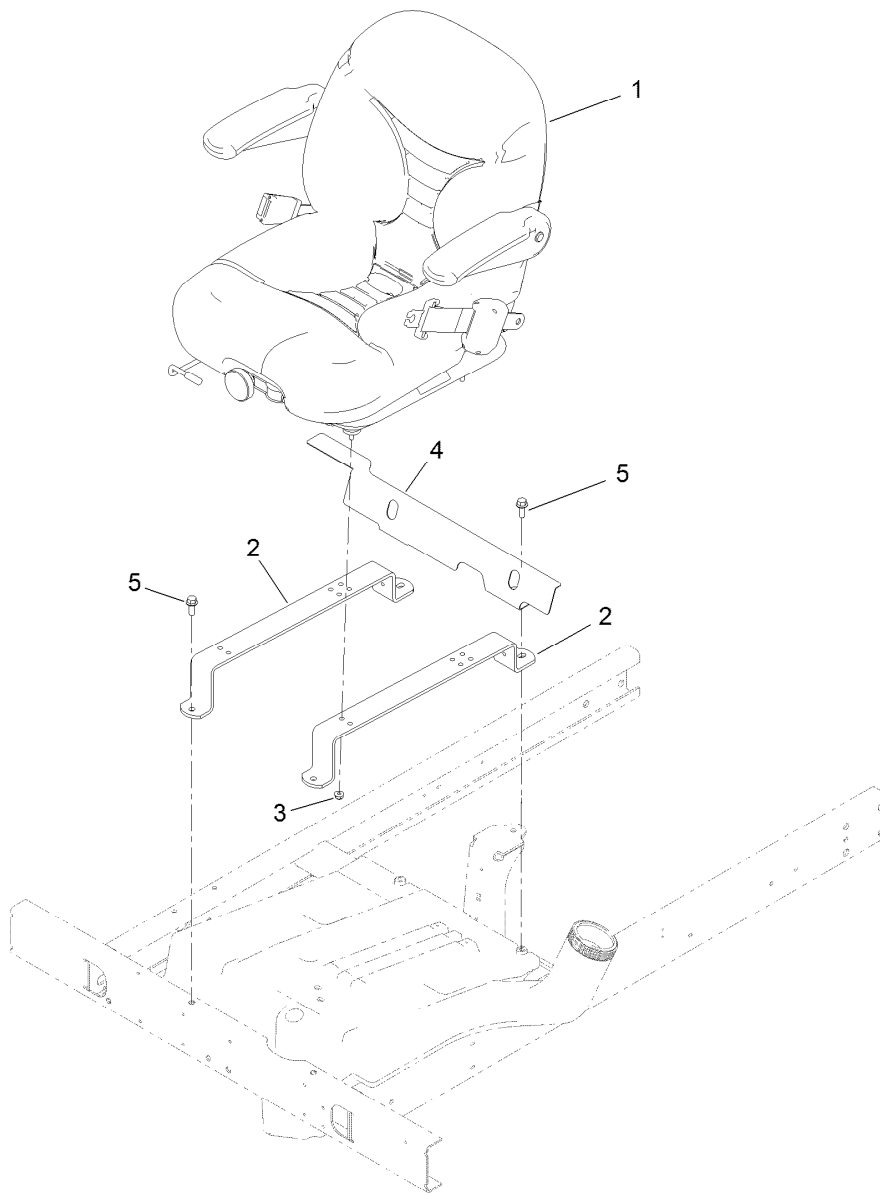
Hydraulic Tank and Filter Assembly

| Ref. | Part Number | Qty. | Description | Ref. | Part Number | Qty. | Description |
|------|-------------|------|---------------------|------|-------------|------|-------------------|
| 1 | 240-11 | 4 | Bushing-Flange | 10 | 57-5420 | 1 | Screw-Shoulder |
| 2 | 3234-11 | 4 | Screw-HHF | 11 | 104-7546 | 1 | Tank Strainer ASM |
| 3 | 340-101 | 1 | Fitting-HYD, 45 DEG | 11:1 | 340-136 | 1 | O-Ring |
| 3:1 | 237-30 | 1 | O-Ring | 12 | 119-6968 | 1 | Dipstick-Oil |
| 3:2 | 237-79 | 1 | O-Ring | 13 | 92-5821 | 1 | Head-Filter |
| 4 | 63-8410 | 4 | Washer | 14 | 93-7160 | 1 | Cap-Oil, HYD |
| 5 | 104-4840 | 1 | Tank-HYD | 15 | 121-7803 | 1 | Hose-Suction |
| 6 | 2412-34 | 2 | Clamp-Hose | 17 | 136-8044 | 1 | Tube-Hydraulic |
| 7 | 3234-13 | 2 | Screw-HHF | 18 | 23-8910 | 1 | Stem-Barb-90 |
| 8 | 340-9 | 1 | Fitting-STR | 18:1 | 237-146 | 1 | O-Ring |
| 8:1 | 237-58 | 1 | O-Ring | 19 | 100-5530 | 1 | Fitting-45 DEG |
| 8:2 | 237-81 | 1 | O-Ring | 19:1 | 237-58 | 1 | O-Ring |
| 9 | 86-3010 | 1 | Filter-Oil | 19:2 | 237-81 | 1 | O-Ring |



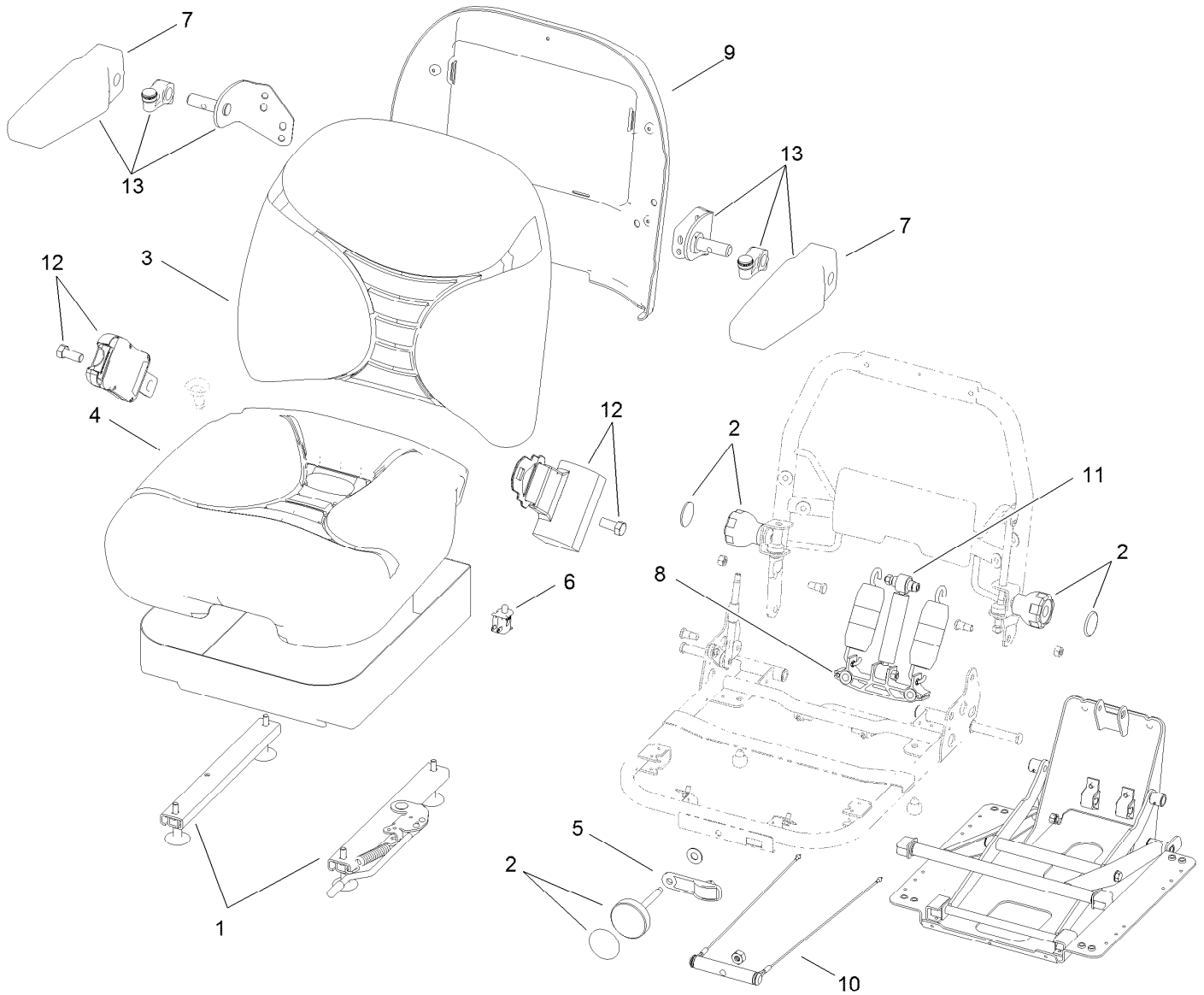
Battery Assembly

| Ref. | Part Number | Qty. | Description |
|-------------|--------------------|-------------|-------------------------|
| 1 | 127-8564 | 1 | Battery |
| 2 | 233-70 | 3 | Knob-Star, Three |
| 4 | 3230-6 | 1 | Bolt-CARR |
| 5 | 3234-5 | 2 | Screw-HHF |
| 7 | 104-8300 | 3 | Nut-HF, NI |
| 8 | 66-2490 | 1 | Retainer-Battery |
| 9 | 32104-32 | 2 | Screw-HWH |
| 10 | 127-8527-03 | 1 | Bracket-Battery |
| 11 | 127-8531 | 1 | Cover-Battery |
| 11:2 | 93-7276 | 1 | Decal-Danger |
| 12 | 122-0812 | 1 | Cable-Battery, Positive |
| 13 | 122-0817 | 1 | Battery-Cable, Negative |
| 15 | 133-4913 | 1 | Tray-Battery |
| 16 | 94-9580 | 1 | Clamp-J |
| 21 | 3290-378 | 2 | Tie-Cable |



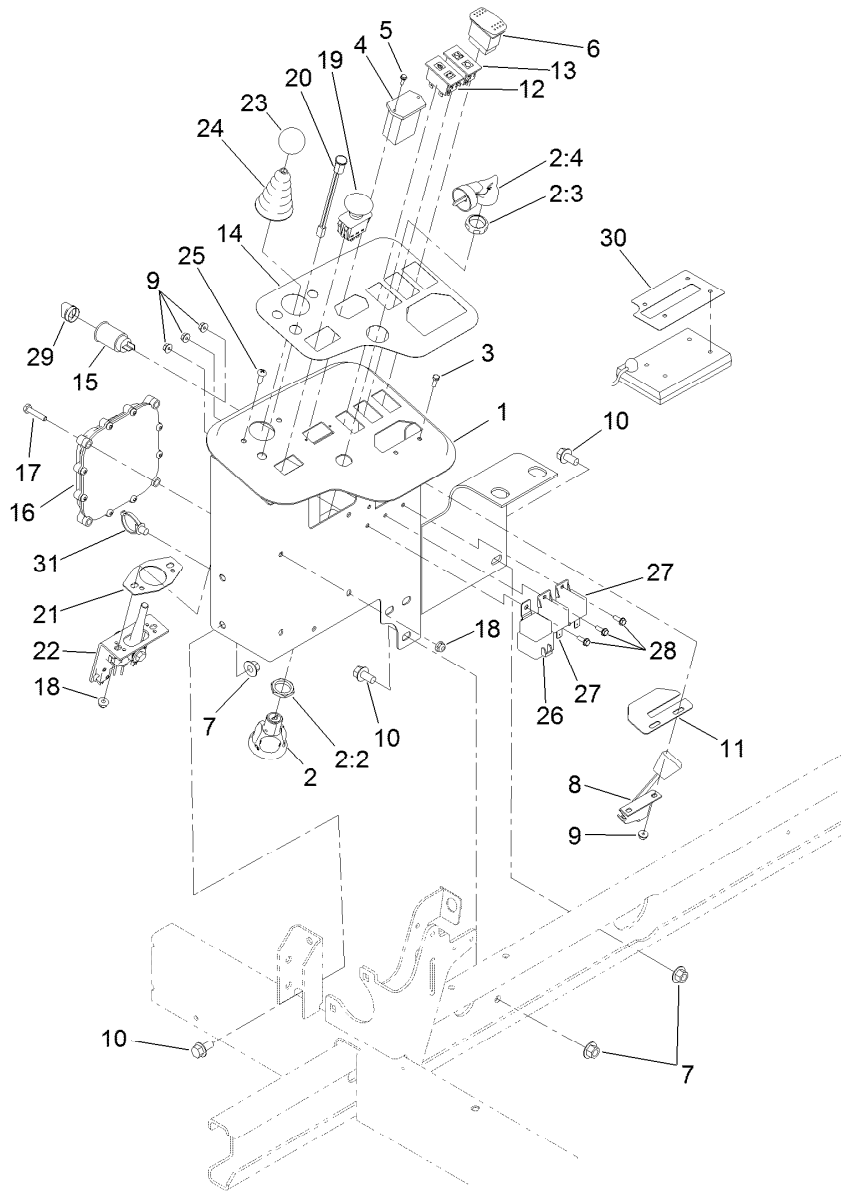
Seat and Heat-Shield Assembly

| <i>Ref.</i> | <i>Part Number</i> | <i>Qty.</i> | <i>Description</i> |
|-------------|--------------------|-------------|---------------------|
| 1 | 116-3998 | 1 | Suspension Seat ASM |
| 2 | 120-2120-03 | 2 | Strap-Support, Seat |
| 3 | 104-8300 | 4 | Nut-HF, NI |
| 4 | 104-4833-03 | 1 | Shield-Heat |
| 5 | 3234-11 | 4 | Screw-HHF |



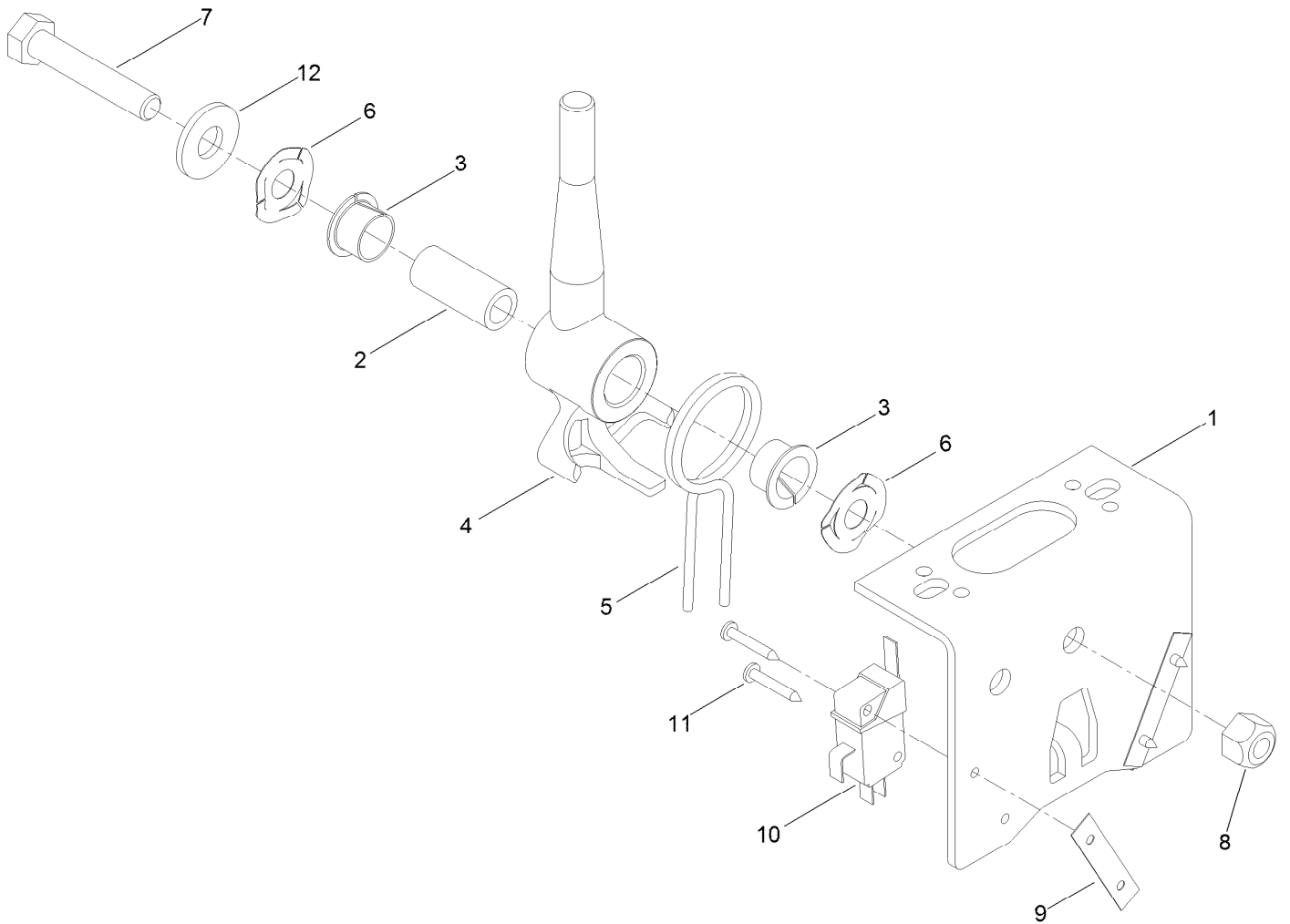
Seat Assembly No. 116-3998

| Ref. | Part Number | Qty. | Description |
|------|-------------|------|-----------------------|
| 1 | 116-0333 | 1 | Seat Track Kit |
| 2 | 107-1881 | 1 | Knob Kit |
| 3 | 107-1882 | 1 | Back Cushion Kit |
| 4 | 107-1883 | 1 | Bottom Cushion Kit |
| 5 | 107-1885 | 1 | Weight Indicator Kit |
| 6 | 82-2190 | 1 | Switch-Bail |
| 7 | 107-1887 | 1 | Pad-Armrest |
| 8 | 109-3343 | 1 | Spring And Saddle Kit |
| 9 | 109-3344 | 1 | Back Panel Kit |
| 10 | 109-3345 | 1 | Weight Adjust Kit |
| 11 | 116-0998 | 1 | Shock Absorber Kit |
| 12 | 110-0413 | 1 | Seatbelt-Retractable |
| 13 | 121-9415 | 1 | Armrest Kit |



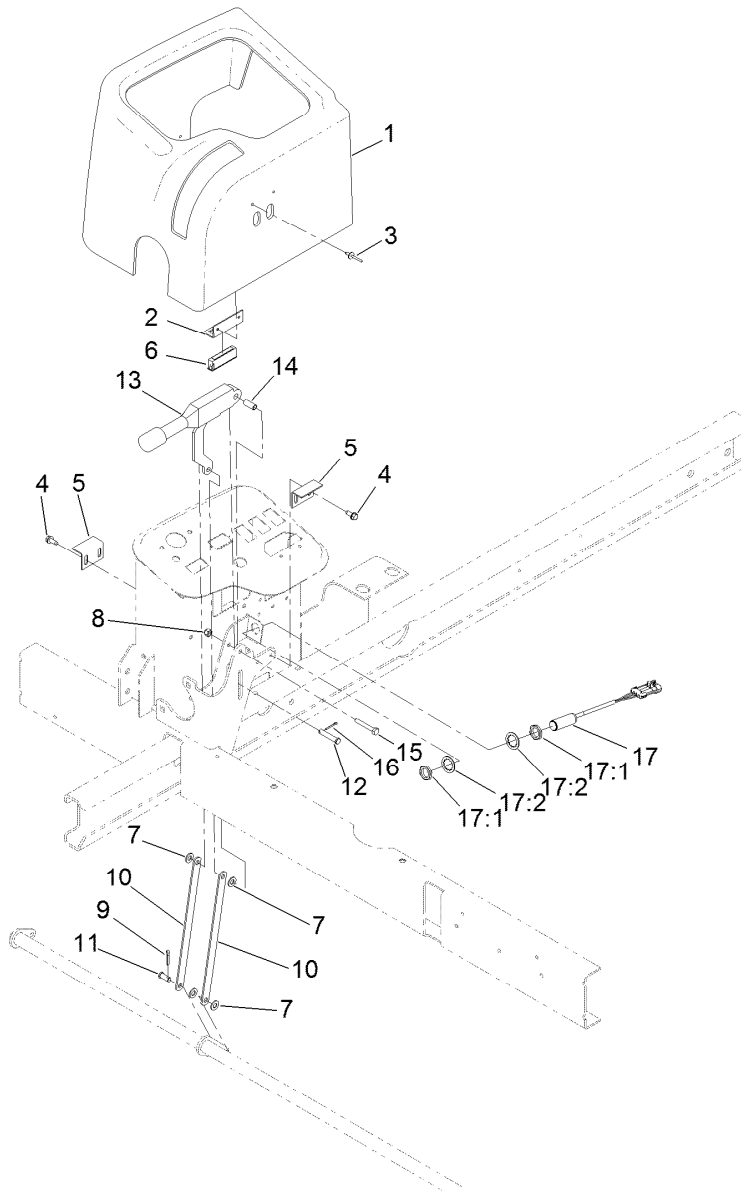
Control Panel Assembly

| <i>Ref.</i> | <i>Part Number</i> | <i>Qty.</i> | <i>Description</i> | <i>Ref.</i> | <i>Part Number</i> | <i>Qty.</i> | <i>Description</i> |
|-------------|--------------------|-------------|------------------------------|-------------|--------------------|-------------|--------------------------|
| 1 | 120-2051-03 | 1 | Panel-Control | 15 | 99-7411 | 1 | Point-Power |
| 2 | 121-5159 | 1 | Switch-Ignition | 16 | 115-1900 | 1 | Controller |
| 2:2 | 121-5160 | 1 | Nut-Hex | 17 | 321-8 | 4 | Screw-HH |
| 2:3 | 121-5161 | 1 | Nut-Face | 18 | 104-7201 | 6 | Nut-HF, NI |
| 2:4 | 121-5162 | 1 | Set-Key, Ignition | 19 | 93-9999 | 1 | Switch-PTO |
| 3 | 3290-134 | 2 | Screw | 20 | 95-7652 | 1 | Light-Indicator |
| 4 | 75-6820 | 1 | Hourmeter | 21 | 112-9181 | 1 | Plate-Boot |
| 5 | 32144-18 | 2 | Screw-HWH | 22 | 120-5280 | 1 | Bracket-Joystick |
| 6 | 95-8999 | 1 | Switch-Rocker, On-None-On | 23 | 233-42 | 1 | Knob |
| 7 | 32128-43 | 5 | Nut-Flange | 24 | 93-5961 | 1 | Boot-Lever |
| 8 | 138-1224 | 1 | Cable-Throttle | 25 | 3258-166 | 2 | Screw-PRH |
| 9 | 3290-148 | 5 | Nut-HF | 26 | 99-7430 | 1 | Relay-Mini |
| 10 | 3234-1 | 5 | Screw-HHF | 27 | 99-7435 | 2 | Relay |
| 11 | 104-0421 | 1 | Plate-Stop, Throttle | 28 | 32105-23 | 3 | Screw |
| 12 | 100-8070 | 1 | Lamp-Warning | 29 | 99-7416 | 1 | Cap |
| 13 | 100-8071 | 1 | Lamp-Warning | 30 | 133-4914 | 1 | Decal-Diagnostic Overlay |
| 14 | 120-2105 | 1 | Decal-Console | 31 | 32180-030 | 1 | Clip-Tie |



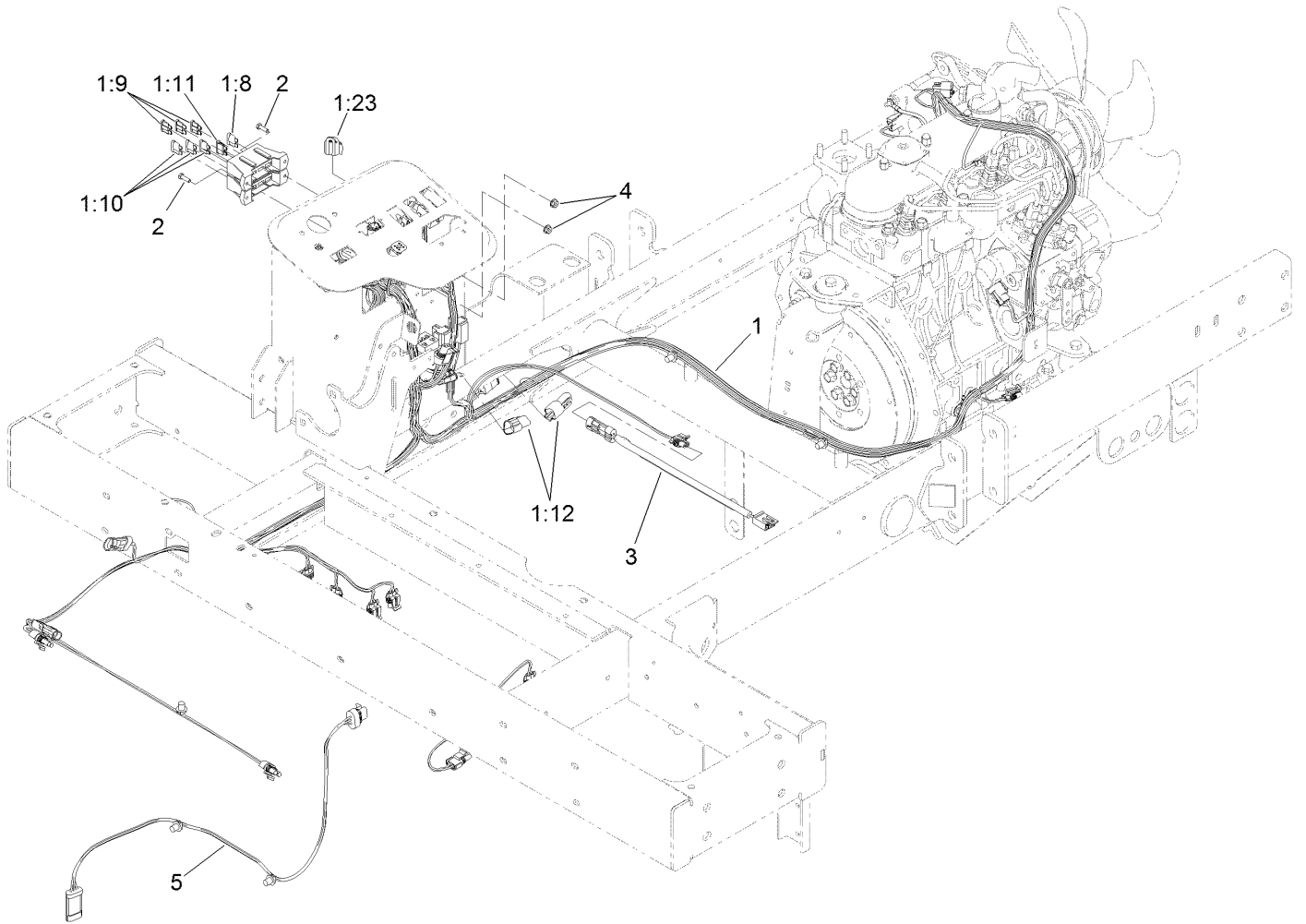
Joystick Bracket Assembly No. 120-5280

| <i>Ref.</i> | <i>Part Number</i> | <i>Qty.</i> | <i>Description</i> |
|-------------|--------------------|-------------|-----------------------|
| 1 | 115-5357-03 | 1 | Bracket-Joystick |
| 2 | 106-4192 | 1 | Spacer |
| 3 | 93-5547 | 2 | Bushing-Nylon |
| 4 | 119-3540 | 1 | Hub-Pivot, Joystick |
| 5 | 105-8289 | 1 | Spring-Torsion |
| 6 | 106-4193 | 2 | Washer-Finger, Spring |
| 7 | 322-9 | 1 | Screw-HH |
| 8 | 3296-29 | 1 | Nut-Lock, NI |
| 9 | 3290-354 | 2 | Nut-Speed |
| 10 | 108-6496 | 2 | Switch (W/Boot) |
| 11 | 95-3003 | 4 | Screw-PPHTF |
| 12 | 3256-3 | 1 | Washer-Flat |



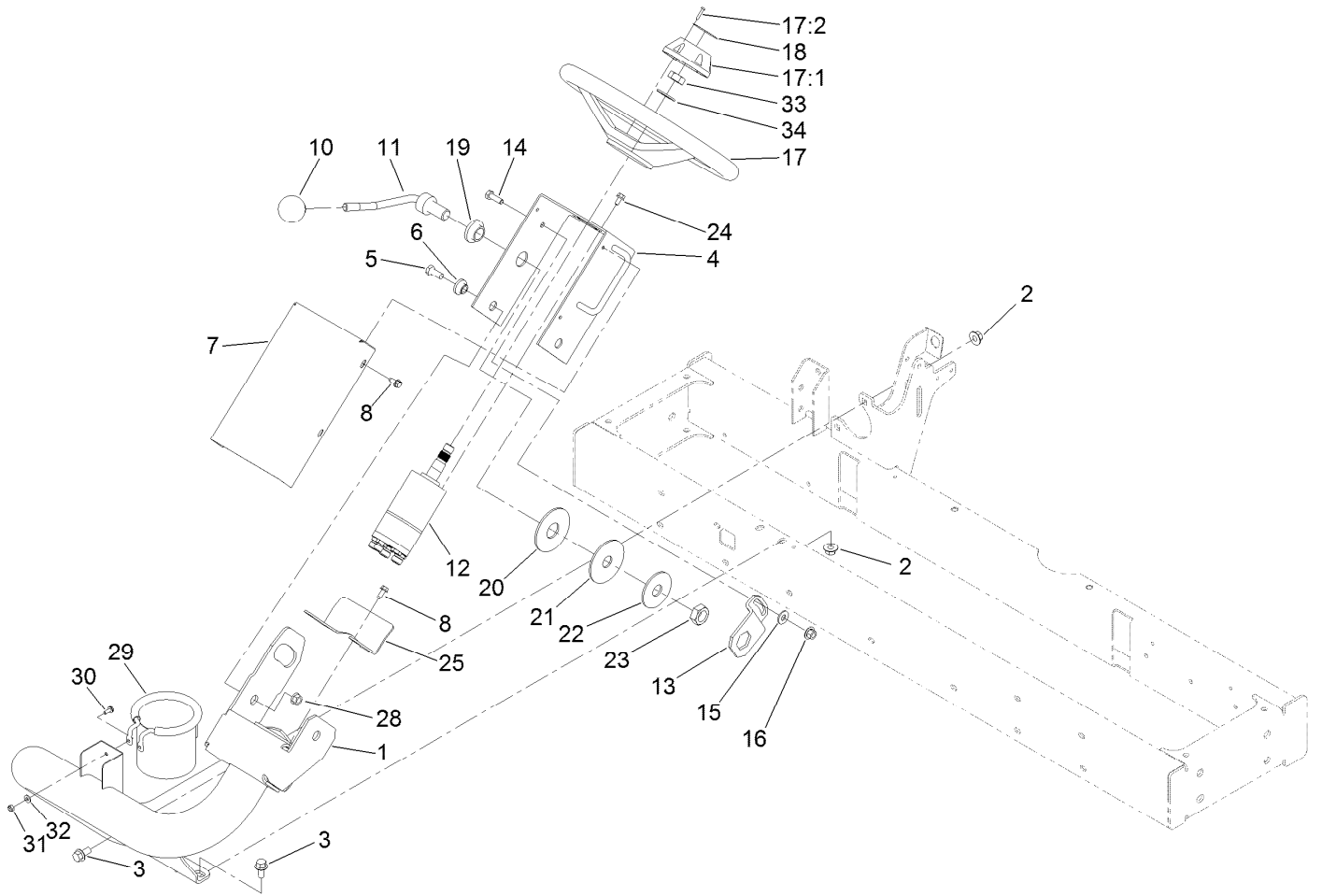
Parking Brake Assembly

| <i>Ref.</i> | <i>Part Number</i> | <i>Qty.</i> | <i>Description</i> | <i>Ref.</i> | <i>Part Number</i> | <i>Qty.</i> | <i>Description</i> |
|-------------|--------------------|-------------|--------------------------|-------------|--------------------|-------------|-----------------------------|
| 1 | 120-2054 | 1 | Cover-Plastic | 11 | 283-62 | 1 | Pin-Clevis |
| 2 | 95-8763 | 2 | Bracket-Hold Down, Cover | 12 | 94-3829 | 1 | Pin-Clevis |
| 3 | 3269-5 | 4 | Rivet-Pop | 13 | 104-4817 | 1 | Lever-Brake |
| 4 | 32144-10 | 4 | Screw-HWH | 14 | 87-4710 | 1 | Spacer-Brake, Parking |
| 5 | 95-8765 | 2 | Bracket-Strike, Magnet | 15 | 321-10 | 1 | Screw-HH |
| 6 | 58-4250 | 2 | Catch-Magnetic | 16 | 3272-6 | 1 | Pin-Cotter |
| 7 | 3256-23 | 4 | Washer-Plain | 17 | 115-0282 | 1 | Proximity Sensor ASM |
| 8 | 3296-42 | 1 | Nut-Lock, NI | 17:1 | 117-3207 | 2 | Nut-Hex |
| 9 | 3272-10 | 1 | Pin-Cotter | 17:2 | 117-3208 | 2 | Washer-Lock, Internal Tooth |
| 10 | 104-4628 | 2 | Link-Brake, Parking | | | | |



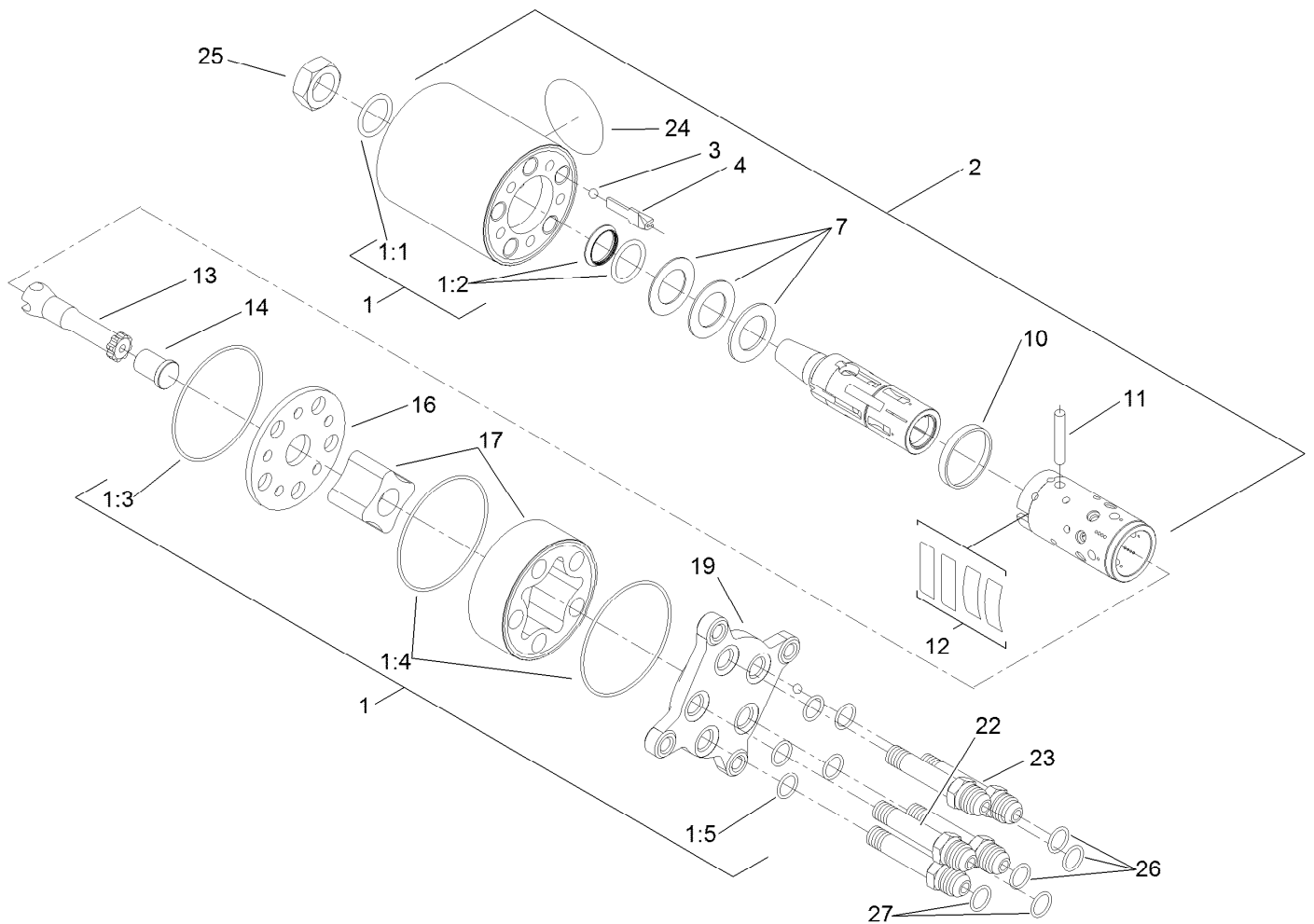
Main Wire Harness Assembly

| <i>Ref.</i> | <i>Part Number</i> | <i>Qty.</i> | <i>Description</i> |
|-------------|--------------------|-------------|---------------------------------|
| 1 | 122-1526 | 1 | Harness-Wire, Main |
| 1:8 | 94-6710 | 1 | Fuse-2 Amp |
| 1:9 | 114241 | 3 | Fuse-Blade, 7.5 Amp |
| 1:10 | 218-578 | 3 | Fuse-Blade, 10 Amp |
| 1:11 | 109355 | 1 | Fuse-Blade, 15 Amp |
| 1:12 | 32180-043 | 2 | Resistor-120 Ohm |
| 1:23 | 32180-089 | 1 | Cap-Plug, 3 Way |
| 2 | 3290-134 | 2 | Screw |
| 3 | 108-8657 | 1 | Harness-Wire, Seat |
| 4 | 3290-148 | 2 | Nut-HF |
| 5 | 122-0715 | 1 | Harness-Wire, 100In Turn-Around |



Steering Arm Assembly

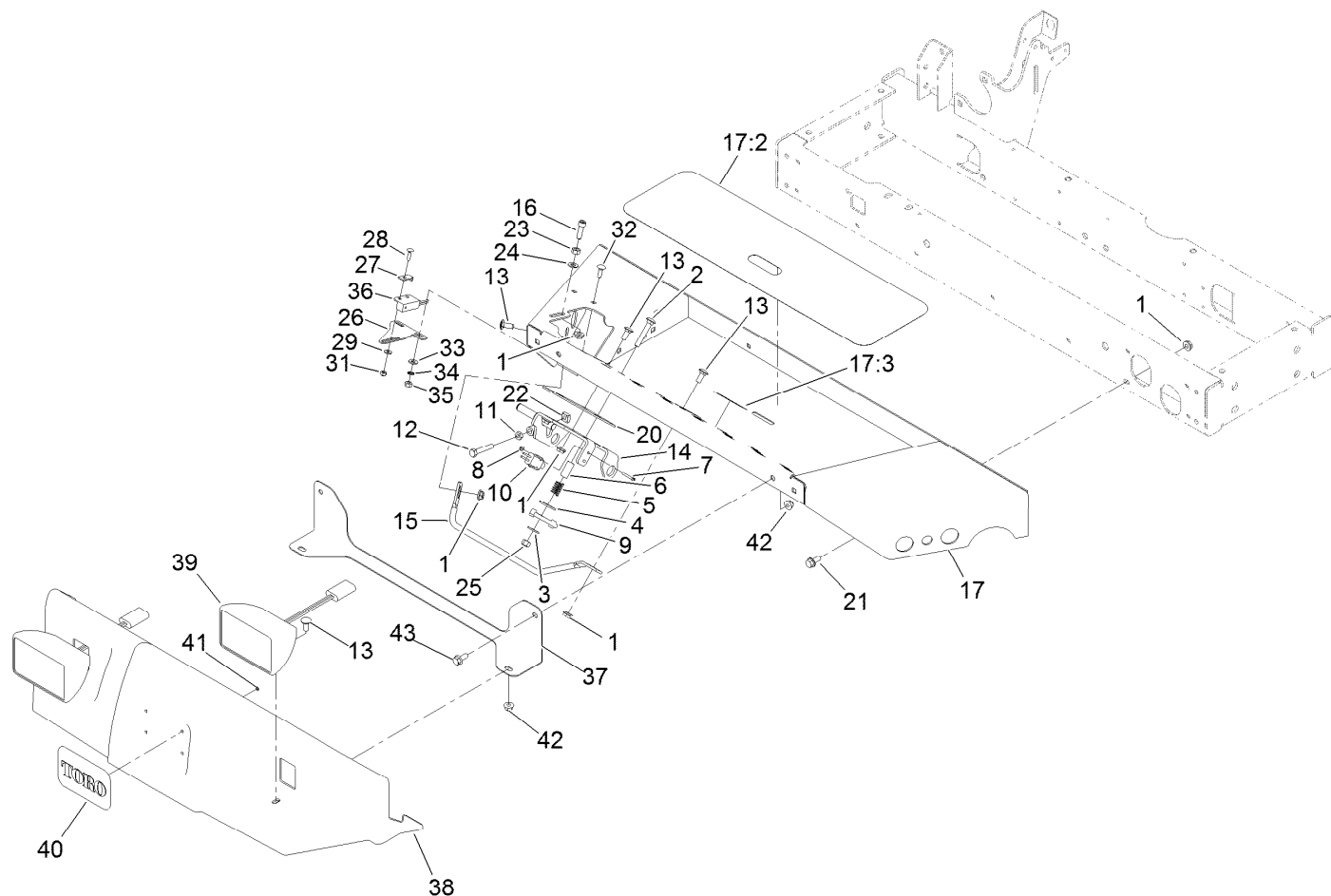
| <i>Ref.</i> | <i>Part Number</i> | <i>Qty.</i> | <i>Description</i> | <i>Ref.</i> | <i>Part Number</i> | <i>Qty.</i> | <i>Description</i> |
|-------------|--------------------|-------------|-----------------------|-------------|--------------------|-------------|---------------------|
| 1 | 120-2063-01 | 1 | Arm-Steering | 17:2 | 68-5140 | 1 | Cap-Wheel, Steering |
| 2 | 32128-43 | 4 | Nut-Flange | 18 | 68-5370 | 1 | Decal |
| 3 | 3234-1 | 4 | Screw-HHF | 19 | 99-3502 | 1 | Boss |
| 4 | 120-2190-01 | 1 | Bracket-Valve | 20 | 31-0390 | 1 | Disc-Friction |
| 5 | 323-5 | 2 | Screw-HH | 21 | 82-9010 | 1 | Disc-Friction |
| 6 | 93-5988 | 2 | Hub-Pivot | 22 | 80-2930 | 1 | Washer-Flat |
| 7 | 95-8794-01 | 1 | Cover-Valve, Steering | 23 | 3218-7 | 1 | Nut-Jam |
| 8 | 32144-10 | 5 | Screw-HWH | 24 | 33103-012 | 4 | Screw-HHF |
| 10 | 233-48 | 1 | Knob | 25 | 99-3405-01 | 1 | Shield-Steering |
| 11 | 95-8798-03 | 1 | Lever-Steering | 28 | 32128-21 | 2 | Nut-HF Lock |
| 12 | 127-8445 | 1 | Valve-Steering | 29 | 117-2378 | 1 | Holder-Bag |
| 13 | 80-2880 | 1 | Bracket-Tilt | 30 | 3290-321 | 2 | Screw-HWH |
| 14 | 322-5 | 1 | Screw-HH | 31 | 3296-2 | 2 | Nut-Lock, NI |
| 15 | 3256-3 | 1 | Washer-Flat | 32 | 3256-14 | 2 | Washer-Flat |
| 16 | 32128-44 | 1 | Nut | 33 | 3296-33 | 1 | Nut-Lock, NI |
| 17 | 75-0560 | 1 | Steering Wheel ASM | 34 | 3256-27 | 1 | Washer-Flat |
| 17:1 | 32144-21 | 1 | Screw | | | | |



Steering Valve Assembly No. 127-8445

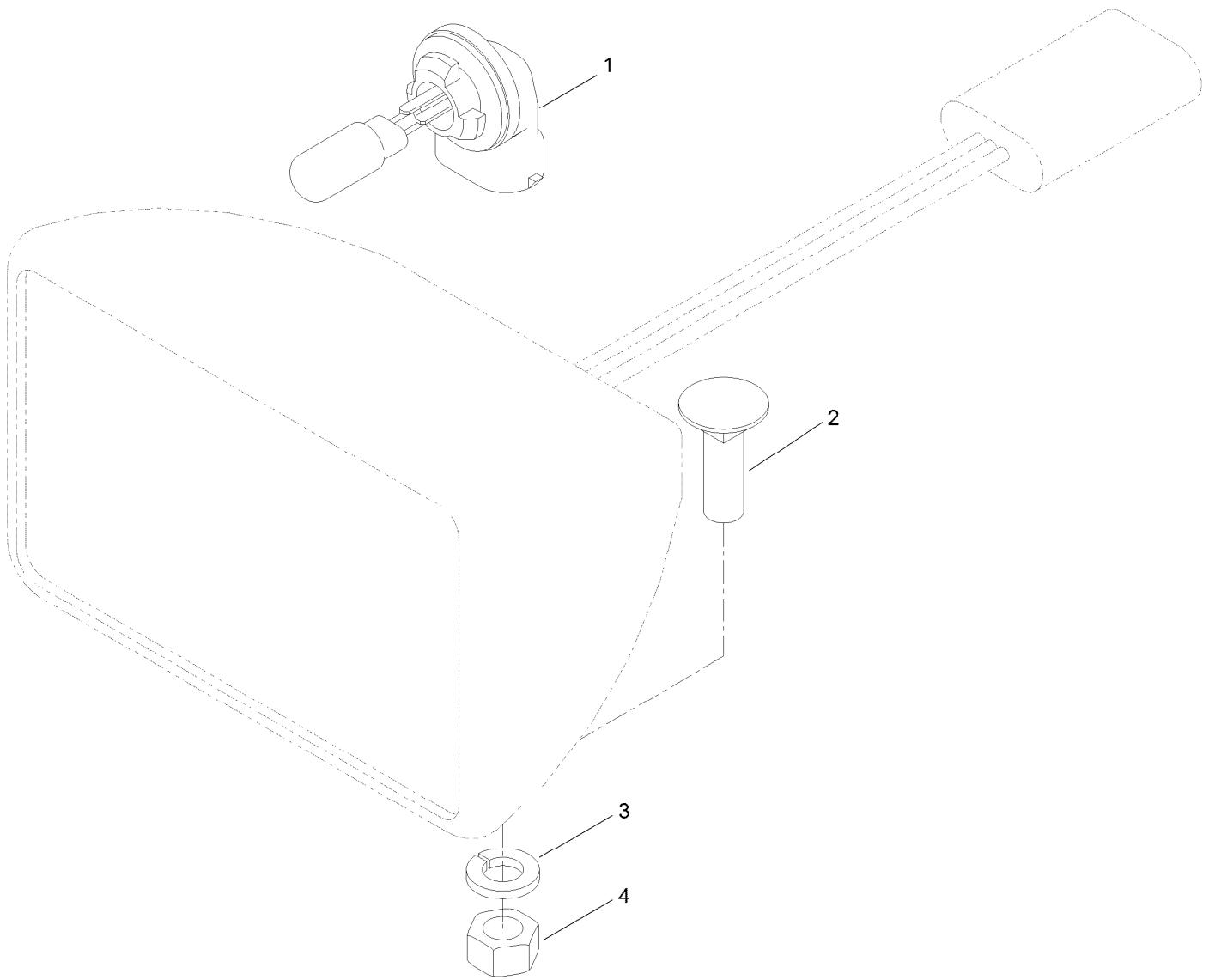
| Ref. | Part Number | Qty. | Description | Ref. | Part Number | Qty. | Description |
|------|-------------|------|-------------------|------|-------------|------|---------------------|
| 1 | 106-6716 | 1 | Seal Kit | 12 | | 1 | Springs ● |
| 1:1 | | 1 | Ring-Seal, Dust ● | 13 | | 1 | Shaft ● |
| 1:2 | | 1 | Seal-Shaft ● | 14 | | 1 | Spacer ● |
| 1:3 | | 1 | O-Ring ● | 16 | | 1 | Plate-Distributor ● |
| 1:4 | | 2 | O-Ring ● | 17 | | 1 | Gearwheel Set ● |
| 1:5 | | 5 | O-Ring ● | 19 | | 1 | Cover-End ● |
| 2 | | 1 | Housing ● | 22 | | 1 | Screw-Special ● |
| 3 | | 1 | Ball ● | 23 | | 4 | Screw-Special ● |
| 4 | | 1 | Stop-Ball ● | 24 | | 1 | Plate-Name ● |
| 7 | | 1 | Bearing ASM ● | 25 | 3296-33 | 1 | Nut-Lock, NI |
| 10 | | 1 | Ring ● | 26 | 237-22 | 2 | O-Ring |
| 11 | | 1 | Pin-Cross ● | 27 | 237-21 | 2 | O-Ring |

● Not serviced separately



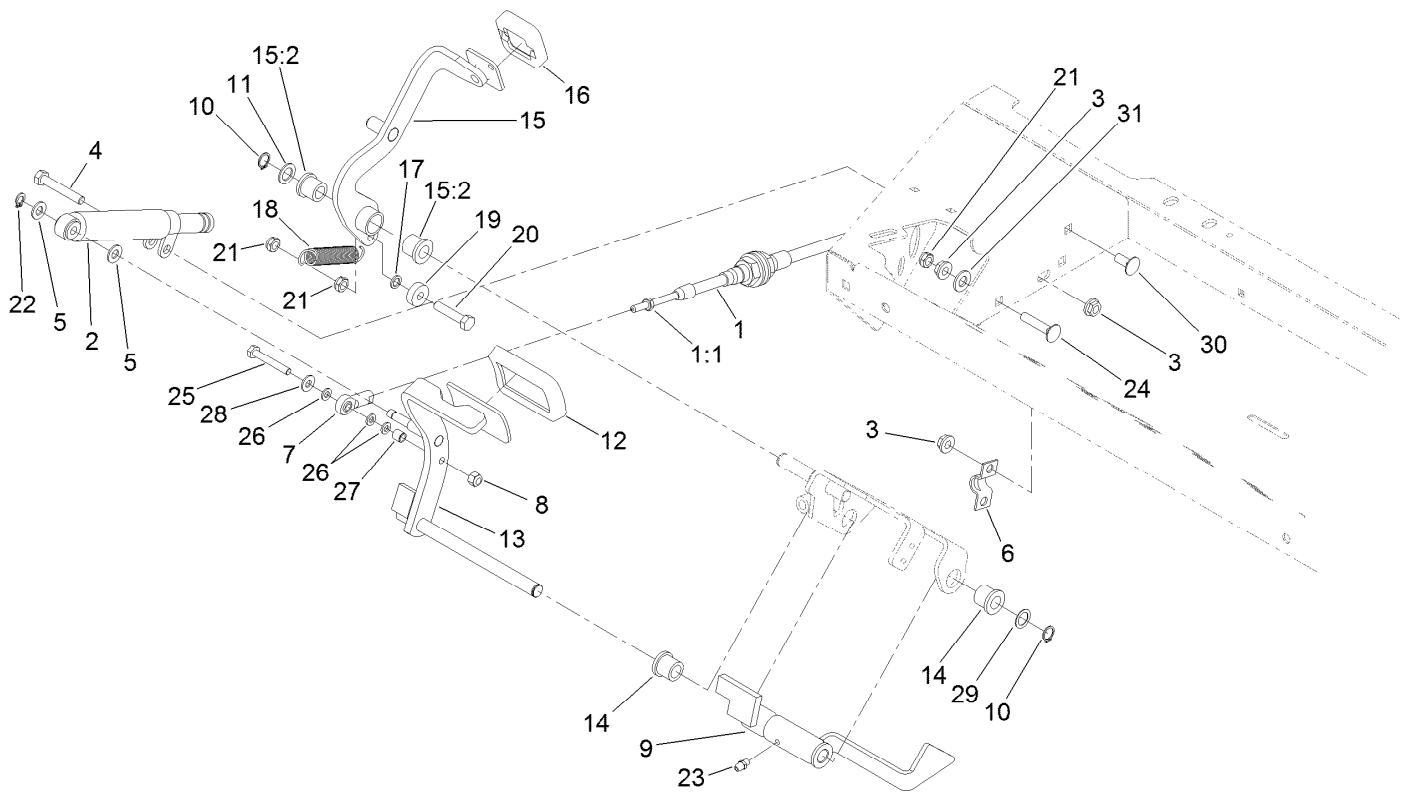
Front Shroud and Floorplate Assembly

| <i>Ref.</i> | <i>Part Number</i> | <i>Qty.</i> | <i>Description</i> | <i>Ref.</i> | <i>Part Number</i> | <i>Qty.</i> | <i>Description</i> |
|-------------|--------------------|-------------|-------------------------|-------------|--------------------|-------------|-------------------------|
| 1 | 32128-20 | 15 | Nut-HF | 22 | 99-3565 | 1 | Nut-Square |
| 2 | 3230-6 | 1 | Bolt-CARR | 23 | 3217-6 | 1 | Nut-Hex |
| 3 | 3256-3 | 1 | Washer-Flat | 24 | 3256-23 | 1 | Washer-Plain |
| 4 | 3256-40 | 1 | Washer-Flat | 25 | 3296-29 | 1 | Nut-Lock, NI |
| 5 | 65-9940 | 1 | Spring | 26 | 100-4871 | 1 | Bracket-Switch, Neutral |
| 6 | 95-8866 | 1 | Tube-Arm, Rocker | 27 | 100-4872 | 1 | Plate-Switch, Neutral |
| 7 | 32105-9 | 2 | Screw-HH | 28 | 3229-20 | 1 | Screw-CARR |
| 8 | 3296-9 | 2 | Nut-Hex | 29 | 3256-14 | 1 | Washer-Flat |
| 9 | 99-3593 | 1 | Arm-Rocker | 31 | 3296-2 | 1 | Nut-Lock, NI |
| 10 | 95-8900 | 1 | Switch | 32 | 3229-1 | 2 | Screw-CARR |
| 11 | 3218-2 | 1 | Nut-Hex Jam | 33 | 3256-22 | 2 | Washer-Flat |
| 12 | 322-41 | 1 | Bolt-Hex, TAP | 34 | 3255-7 | 2 | Washer-Lock/EXT |
| 13 | 3230-23 | 6 | Bolt-CARR | 35 | 3217-5 | 2 | Nut-Hex |
| 14 | 95-8869-03 | 1 | Bracket-Pedal, Traction | 36 | 100-1270 | 1 | Switch-Proximity |
| 15 | 95-8893 | 1 | Bar-Deflector | 37 | 121-7822-03 | 1 | Bracket-Head Light |
| 16 | 3274-22 | 1 | Screw-HSH | 38 | 121-7823 | 1 | Shroud-Front |
| 17 | 120-2189 | 1 | Floorplate ASM | 39 | 94-9024 | 2 | Lamp ASM |
| 17:2 | 99-3478 | 1 | Tread-Foot | 40 | 93-6028 | 1 | Plate-Logo |
| 17:3 | 99-3444 | 1 | Decal-Mow / Transport | 41 | 3254-9 | 4 | Washer-Lock, Internal |
| 20 | 106-2661-01 | 1 | Plate-Support | 42 | 104-8300 | 4 | Nut-HF, NI |
| 21 | 3234-5 | 10 | Screw-HHF | 43 | 3234-47 | 2 | Screw-HHF |



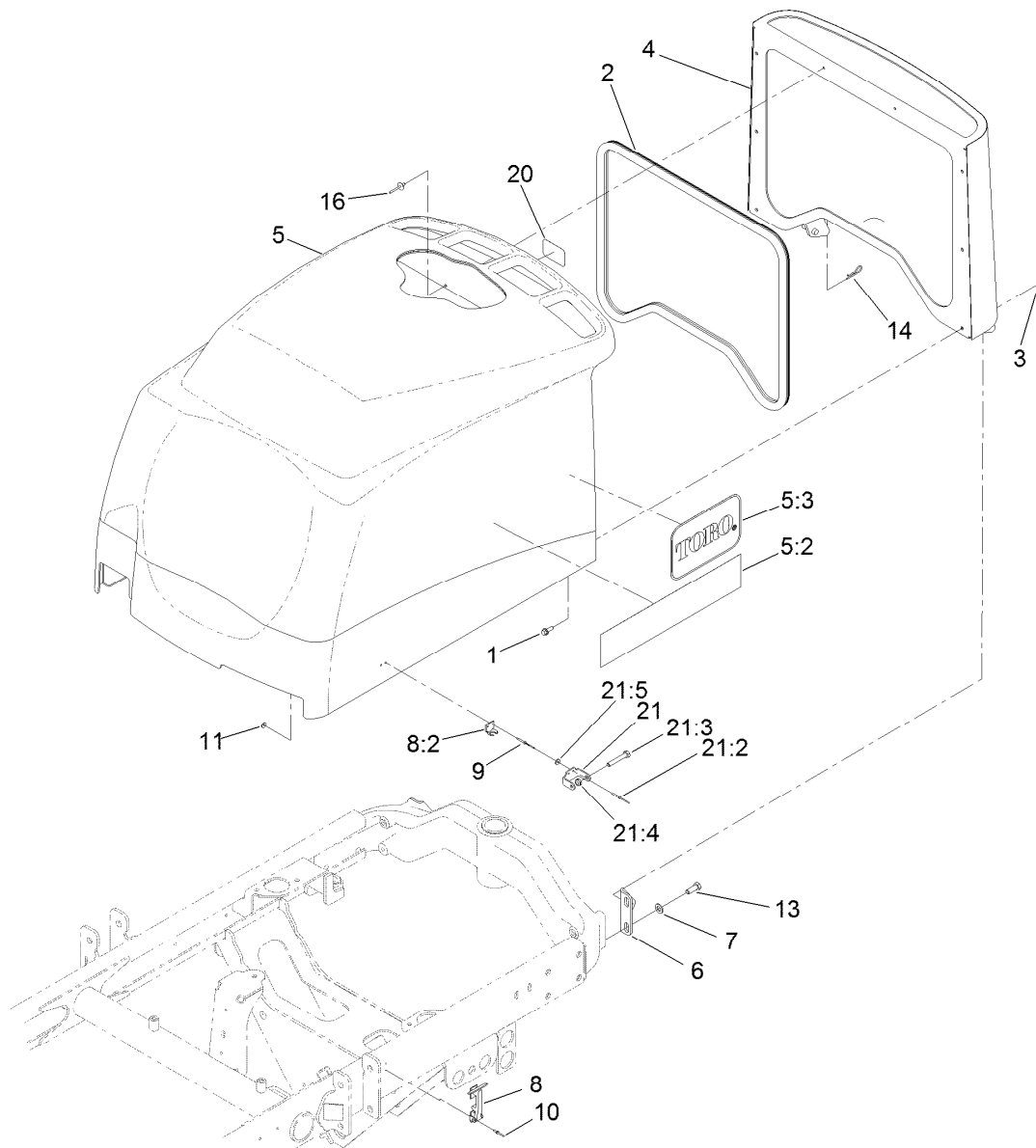
Lamp Assembly No. 94-9024

| <i>Ref.</i> | <i>Part Number</i> | <i>Qty.</i> | <i>Description</i> |
|-------------|--------------------|-------------|--------------------|
| 1 | 95-0909 | 1 | Lamp-12 Volt |
| 2 | 3230-28 | 1 | Screw-CARR |
| 3 | 3253-33 | 1 | Washer-Lock |
| 4 | 3217-6 | 1 | Nut-Hex |



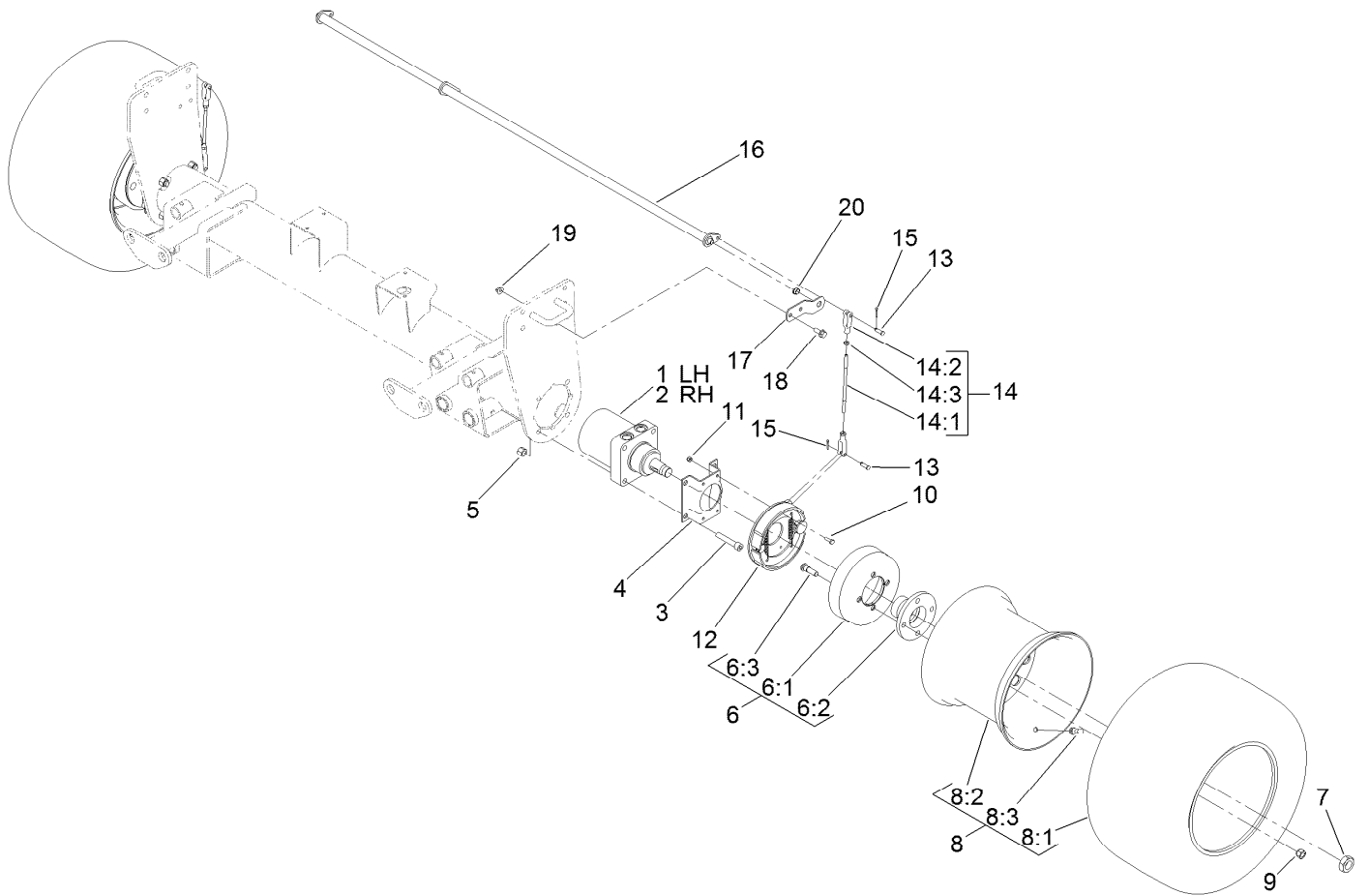
Traction Control Assembly

| <i>Ref.</i> | <i>Part Number</i> | <i>Qty.</i> | <i>Description</i> | <i>Ref.</i> | <i>Part Number</i> | <i>Qty.</i> | <i>Description</i> |
|-------------|--------------------|-------------|-------------------------|-------------|--------------------|-------------|--------------------|
| 1 | 100-4815 | 1 | Cable-Control, Traction | 16 | 74-9110 | 1 | Pad-Pedal, Reverse |
| 1:1 | 3220-1 | 2 | Nut-Jam | 17 | 75-5470 | 1 | Spacer-Bearing |
| 2 | 76-8870 | 1 | Damper-Lever | 18 | 99-3476 | 1 | Spring-Extension |
| 3 | 32128-20 | 5 | Nut-HF | 19 | 251-259 | 1 | Bearing-Ball |
| 4 | 322-10 | 1 | Screw-HH | 20 | 322-7 | 1 | Screw-HH |
| 5 | 3256-23 | 2 | Washer-Plain | 21 | 3296-47 | 3 | Nut-Lock,NI |
| 6 | 93-2092 | 1 | Clamp-Cable | 22 | 32151-3 | 1 | Ring-Grip |
| 7 | 2411-41 | 1 | Rod End-Ball Joint | 23 | 302-5 | 1 | Fitting-Grease |
| 8 | 3296-42 | 1 | Nut-Lock, NI | 24 | 3230-27 | 1 | Screw-CARR |
| 9 | 95-8861 | 1 | Slide | 25 | 321-10 | 1 | Screw-HH |
| 10 | 32151-84 | 2 | Ring-Shaft, EXT | 26 | 33093-00 | 3 | Washer-Flat |
| 11 | 41-8440 | 1 | Washer | 27 | 99-3545 | 1 | Spacer |
| 12 | 74-9100 | 1 | Pad-Pedal, Forward | 28 | 3256-22 | 1 | Washer-Flat |
| 13 | 104-4852-03 | 1 | Pedal-Traction | 29 | 73-0040 | 4 | Washer-Thrust |
| 14 | 256-243 | 2 | Bearing-Flange | 30 | 3230-23 | 2 | Bolt-CARR |
| 15 | 99-3379 | 1 | Pedal-Reverse ASM | 31 | 3256-24 | 1 | Washer-Plain |
| 15:2 | 256-243 | 2 | Bearing-Flange | | | | |



Hood and Screen Assembly

| <i>Ref.</i> | <i>Part Number</i> | <i>Qty.</i> | <i>Description</i> | <i>Ref.</i> | <i>Part Number</i> | <i>Qty.</i> | <i>Description</i> |
|-------------|--------------------|-------------|---------------------|-------------|--------------------|-------------|--------------------|
| 1 | 3234-4 | 6 | Screw-HHF | 10 | 3290-55 | 4 | Rivet-Pop |
| 2 | 100-4932 | 1 | Trim-Seal | 11 | 3269-10 | 4 | Washer-Back |
| 3 | 3296-42 | 6 | Nut-Lock, NI | 13 | 323-6 | 4 | Screw-HH |
| 4 | 104-4853-03 | 1 | Screen-Hood | 14 | 3290-467 | 1 | Pin-Hair |
| 5 | 127-8598 | 1 | Hood ASM | 16 | 3269-21 | 2 | Rivet-Pop |
| 5:2 | 127-8595 | 2 | Decal-Hood | 20 | 110-7135 | 1 | Decal-Toro |
| 5:3 | 62-7400 | 2 | Decal-Toro Logo | 21 | 119-2004 | 1 | CE Latch Kit |
| 6 | 95-8728 | 2 | Bracket-Pivot, Hood | 21:2 | 107-0333 | 2 | Rivet-Pop |
| 7 | 3256-24 | 8 | Washer-Plain | 21:3 | 322-10 | 1 | Screw-HH |
| 8 | 59-9740 | 2 | Flex Draw Latch ASM | 21:4 | 3296-47 | 1 | Nut-Lock, NI |
| 8:2 | 249-40 | 1 | Keeper | 21:5 | 3269-10 | 2 | Washer-Back |
| 9 | 107-0333 | 4 | Rivet-Pop | | | | |

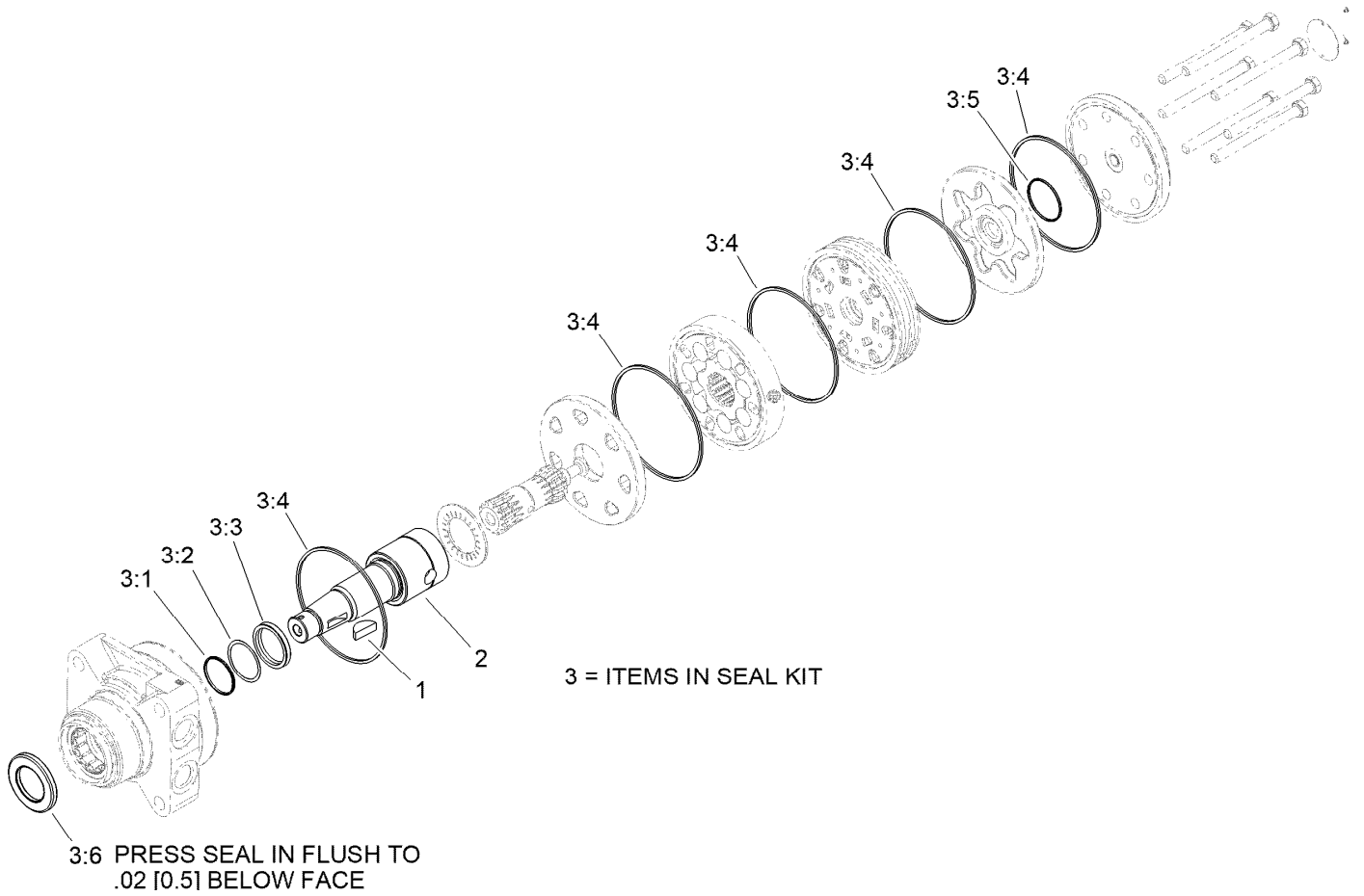


Wheel and Brake Assembly

| Ref. | Part Number | Qty. | Description |
|------|-------------|------|---------------------|
| 1 | 110-8785 | 1 | HYD Motor ASM (CCW) |
| 2 | 110-8786 | 1 | HYD Motor ASM (CW) |
| 3 | 3274-93 | 8 | Screw-HSH |
| 4 | 84-2000-03 | 2 | Bracket-Brake |
| 5 | 3296-23 | 8 | Nut-Lock, NI |
| 6 | 127-8568 | 2 | Hub ASM |
| 6:1 | 127-8536 | 1 | Brake Drum |
| 6:2 | 93-6838-03 | 1 | Hub-Wheel |
| 6:3 | 85-6540 | 4 | Stud-Drive |
| 7 | 26-3790 | 2 | Nut-Lock |
| 8 | | 2 | Tire ASM ● |
| 8:1 | 120-2114 | 1 | Tire-Smooth |
| 8:2 | 120-2115 | 1 | Wheel-12 Inch |
| 8:3 | 232-27 | 1 | Stem-Valve |
| 9 | 242-50 | 8 | Nut-Lug |

| Ref. | Part Number | Qty. | Description |
|------|-------------|------|----------------------|
| 10 | 321-5 | 8 | Screw-HH |
| 11 | 3296-42 | 8 | Nut-Lock, NI |
| 12 | 127-8535 | 2 | Brake ASM |
| 13 | 283-1 | 4 | Pin-Clevis |
| 14 | 127-8538 | 2 | Brake Lever ASM |
| 14:1 | 127-8537 | 1 | Rod-Brake |
| 14:2 | 1-303105 | 2 | Yoke-Adjustable |
| 14:3 | 3220-2 | 2 | Nut-Jam |
| 15 | 3272-10 | 4 | Pin-Cotter |
| 16 | 127-8434-03 | 1 | Shaft-Pivot, Brake |
| 17 | 95-8683 | 2 | Bracket-Pivot, Brake |
| 18 | 3234-11 | 4 | Screw-HHF |
| 19 | 104-8301 | 4 | Nut-HF, NI |
| 20 | 256-156 | 2 | Bushing-Flange |

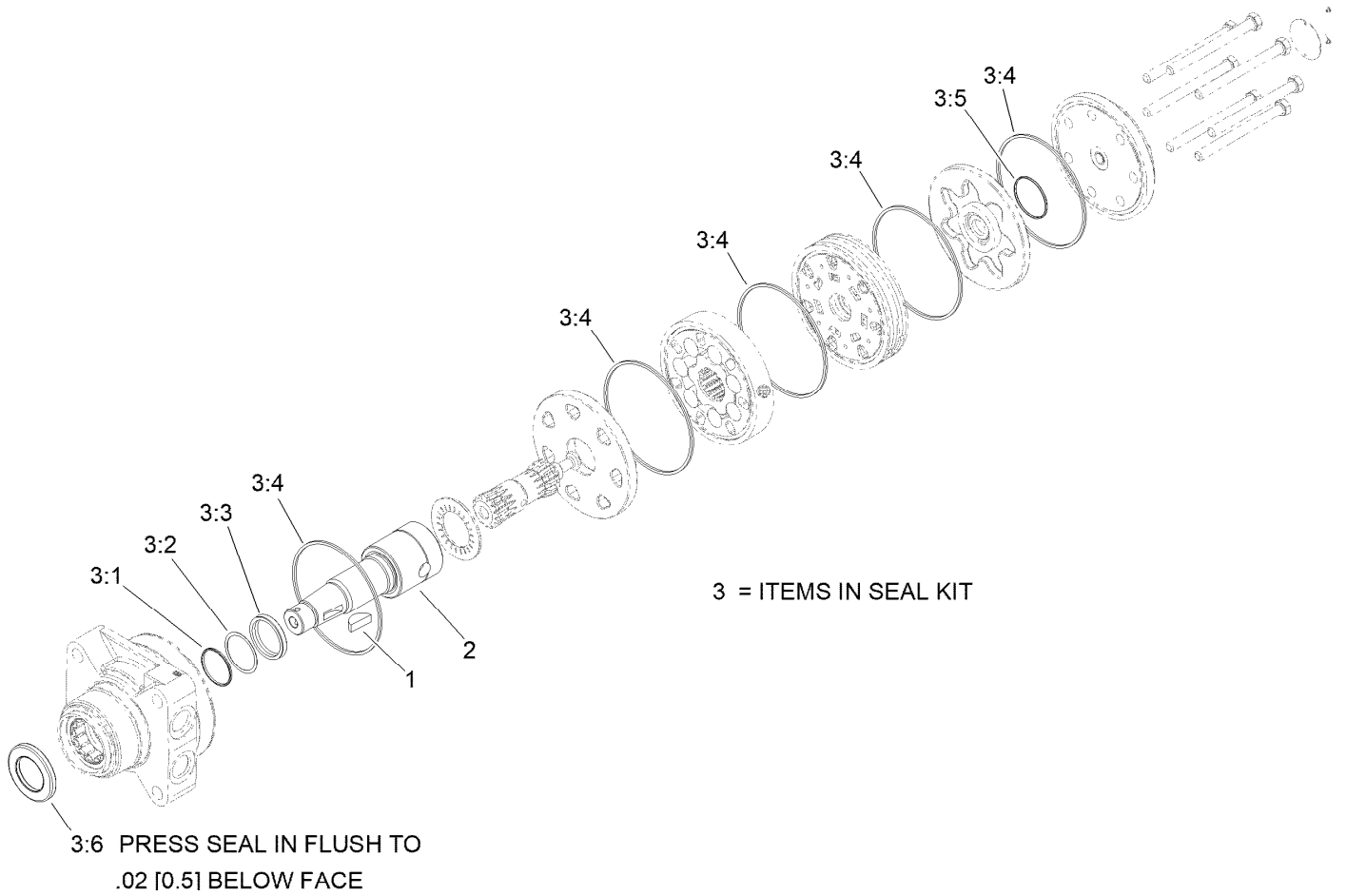
● Not serviced separately



Hydraulic Motor Assembly No. 110-8786

| Ref. | Part Number | Qty. | Description |
|------|-------------|------|-----------------------|
| 1 | 3257-42 | 1 | Key-Woodruff |
| 2 | 99-3090 | 1 | Shaft-Coupling |
| 3 | 100-6131 | 1 | Seal Kit |
| 3:1 | | 1 | Ring-Back Up ● |
| 3:2 | | 1 | Washer-Back Up ● |
| 3:3 | | 1 | Seal-Shaft ● |
| 3:4 | | 5 | Seal-Ring ● |
| 3:5 | | 1 | Seal-Commutator ● |
| 3:6 | | 1 | Seal-Dirt And Water ● |

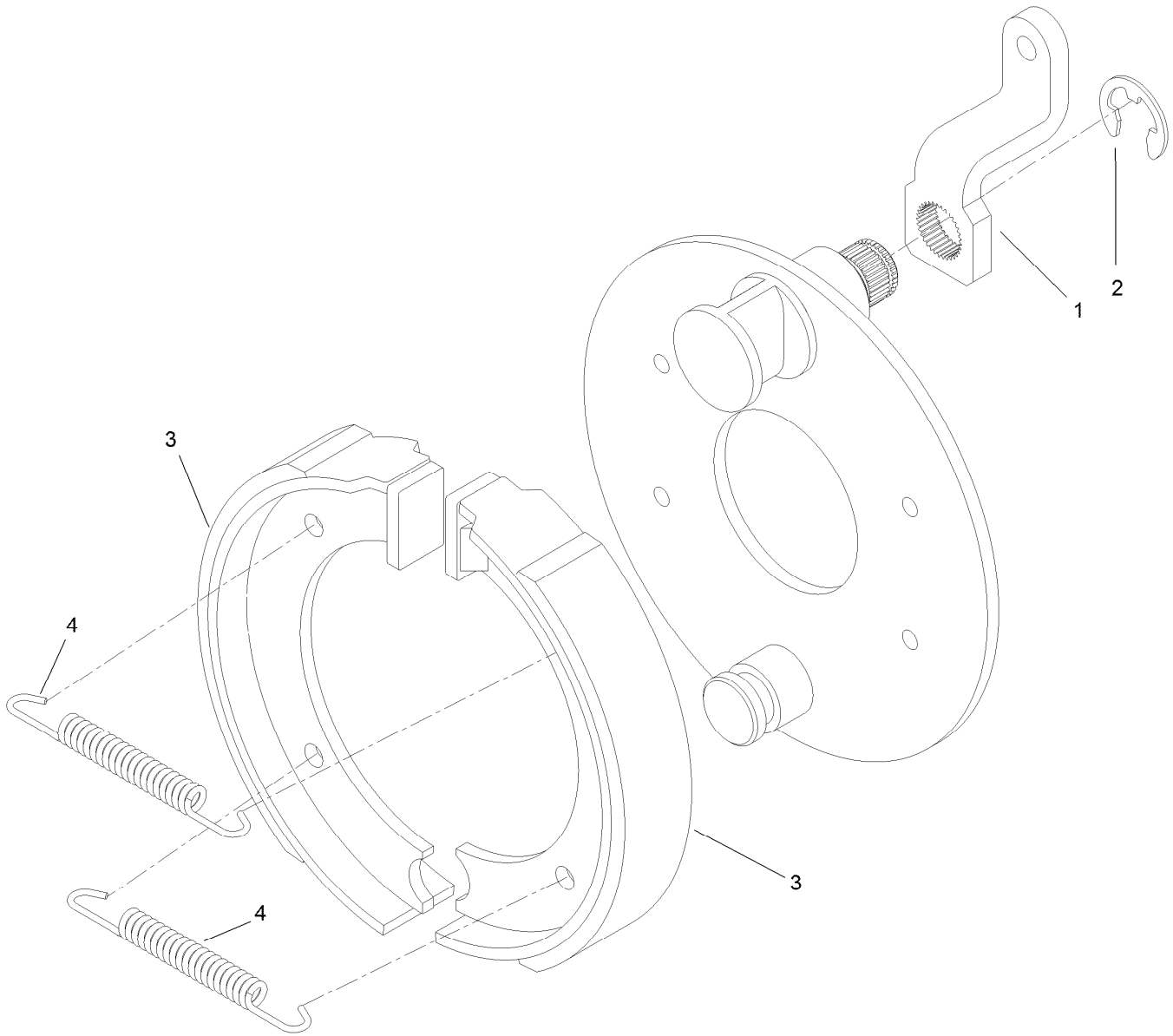
● Not serviced separately



Hydraulic Motor Assembly No. 110-8785

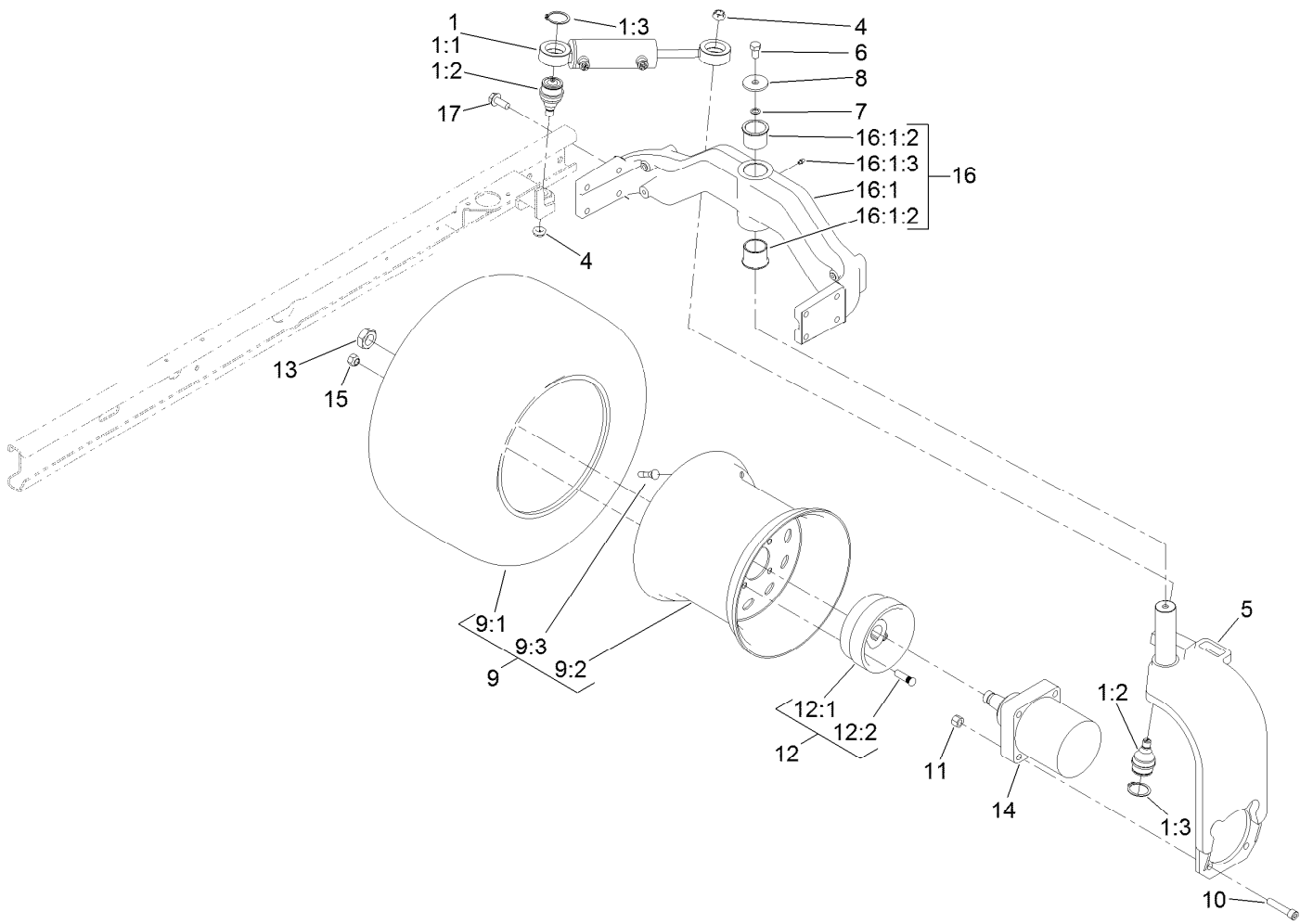
| Ref. | Part Number | Qty. | Description |
|------|-------------|------|-----------------------|
| 1 | 3257-42 | 1 | Key-Woodruff |
| 2 | 99-3090 | 1 | Shaft-Coupling |
| 3 | 100-6131 | 1 | Seal Kit |
| 3:1 | | 1 | Ring-Back Up ● |
| 3:2 | | 1 | Washer-Back Up ● |
| 3:3 | | 1 | Seal-Shaft ● |
| 3:4 | | 5 | Seal-Ring ● |
| 3:5 | | 1 | Seal-Commutator ● |
| 3:6 | | 1 | Seal-Dirt And Water ● |

● Not serviced separately



Brake Assembly No. 127-8535

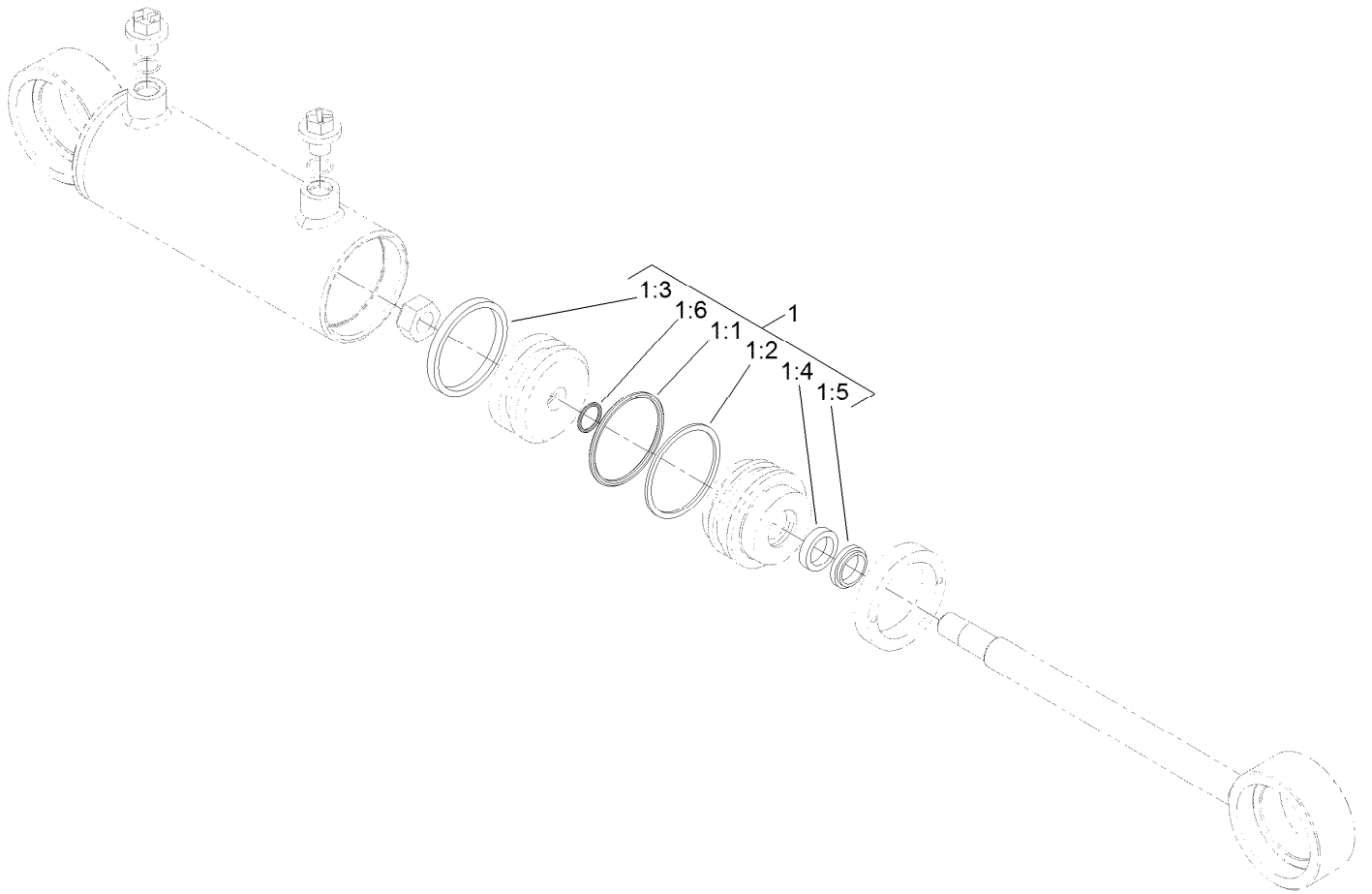
| <i>Ref.</i> | <i>Part Number</i> | <i>Qty.</i> | <i>Description</i> |
|-------------|--------------------|-------------|-----------------------|
| 1 | 127-8567 | 1 | Lever |
| 2 | 127-8566 | 1 | E-Clip, 15MM External |
| 3 | 127-8570 | 2 | Brake-Shoe |
| 4 | 127-8569 | 2 | Brake-Spring |



Rear Fork Assembly

| Ref. | Part Number | Qty. | Description | Ref. | Part Number | Qty. | Description |
|------|-------------|------|--------------------------|--------|-------------|------|------------------|
| 1 | 133-4912 | 1 | Steering Cylinder ASM | 10 | 3274-71 | 4 | Screw-HSH |
| 1:1 | 121-7835 | 1 | Steering Cylinder ASM | 11 | 3296-23 | 4 | Nut-Lock, NI |
| 1:2 | 121-3605 | 2 | Ball Joint | 12 | 103-0590 | 1 | Wheel Hub ASM |
| 1:3 | 32151-104 | 2 | Ring-Retaining, External | 12:1 | 103-0589 | 1 | Hub-Wheel |
| 4 | 121-3611 | 2 | Nut-Hex, Flextop | 12:2 | 1-633926 | 4 | Stud-Wheel |
| 5 | 127-8577-01 | 1 | Fork-Rear | 13 | 26-3790 | 1 | Nut-Lock |
| 6 | 325-3 | 1 | Screw-HH | 14 | 95-8694 | 1 | HYD Motor ASM |
| 7 | 3255-2 | 1 | Washer-Lock, EXT | 15 | 242-50 | 4 | Nut-Lug |
| 8 | 75-7730 | 1 | Washer-Thrust | 16 | 127-8576-03 | 1 | Rear Casting ASM |
| 9 | | 1 | Tire ASM ● | 16:1 | | 1 | Casting-Rear ● |
| 9:1 | 120-2114 | 1 | Tire-Smooth | 16:1:2 | 127-8572 | 2 | Bushing-Flange |
| 9:2 | 120-2115 | 1 | Wheel-12 Inch | 16:1:3 | 302-5 | 1 | Fitting-Grease |
| 9:3 | 232-27 | 1 | Stem-Valve | 17 | 3234-38 | 8 | Screw-HHF |

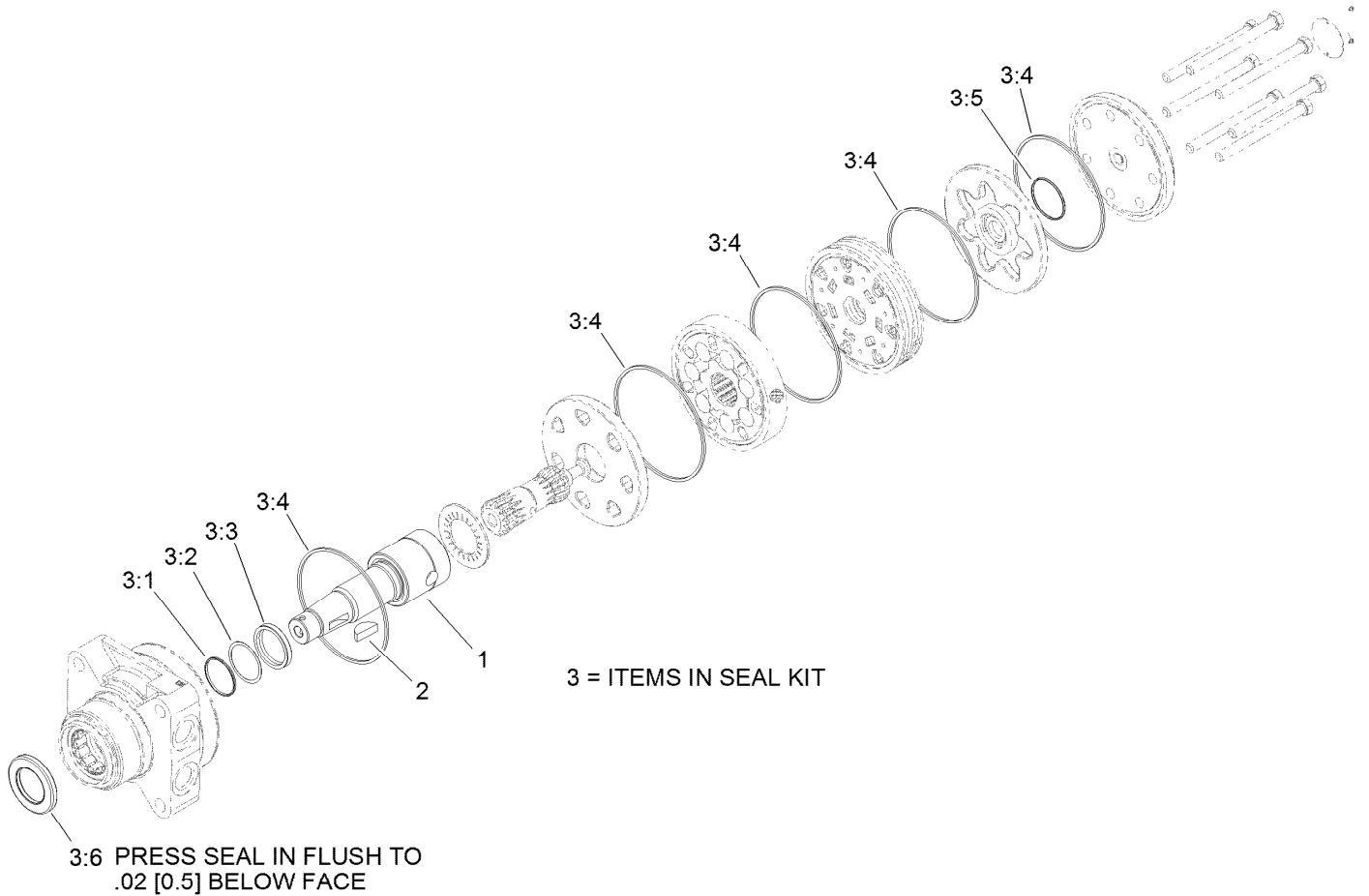
● Not serviced separately



Steering Cylinder Assembly No. 121-7835

| <i>Ref.</i> | <i>Part Number</i> | <i>Qty.</i> | <i>Description</i> |
|-------------|--------------------|-------------|--------------------|
| 1 | 121-7844 | 1 | Kit-Seal |
| 1:1 | | 1 | O-Ring ● |
| 1:2 | | 1 | Backup ● |
| 1:3 | | 1 | Psp Seal ● |
| 1:4 | | 1 | Bs Seal ● |
| 1:5 | | 1 | Dust Seal-Dt ● |
| 1:6 | | 1 | O-Ring ● |

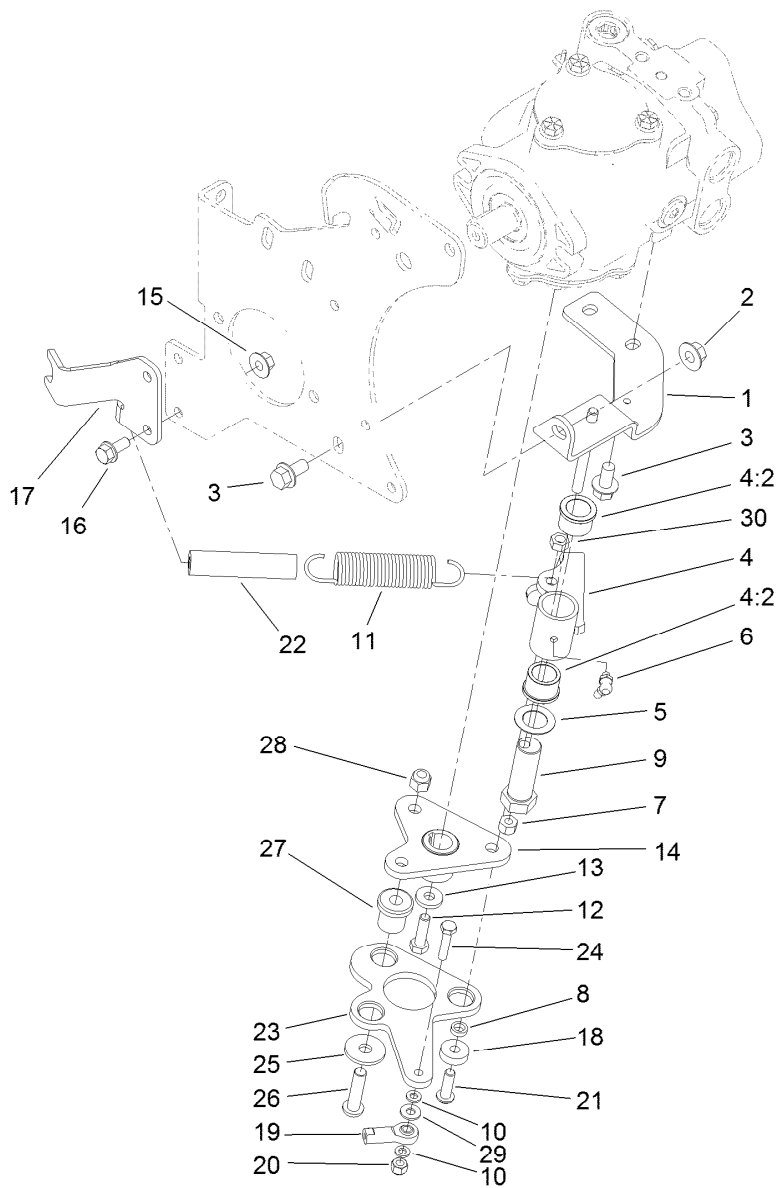
● Not serviced separately



Hydraulic Motor Assembly No. 95-8694

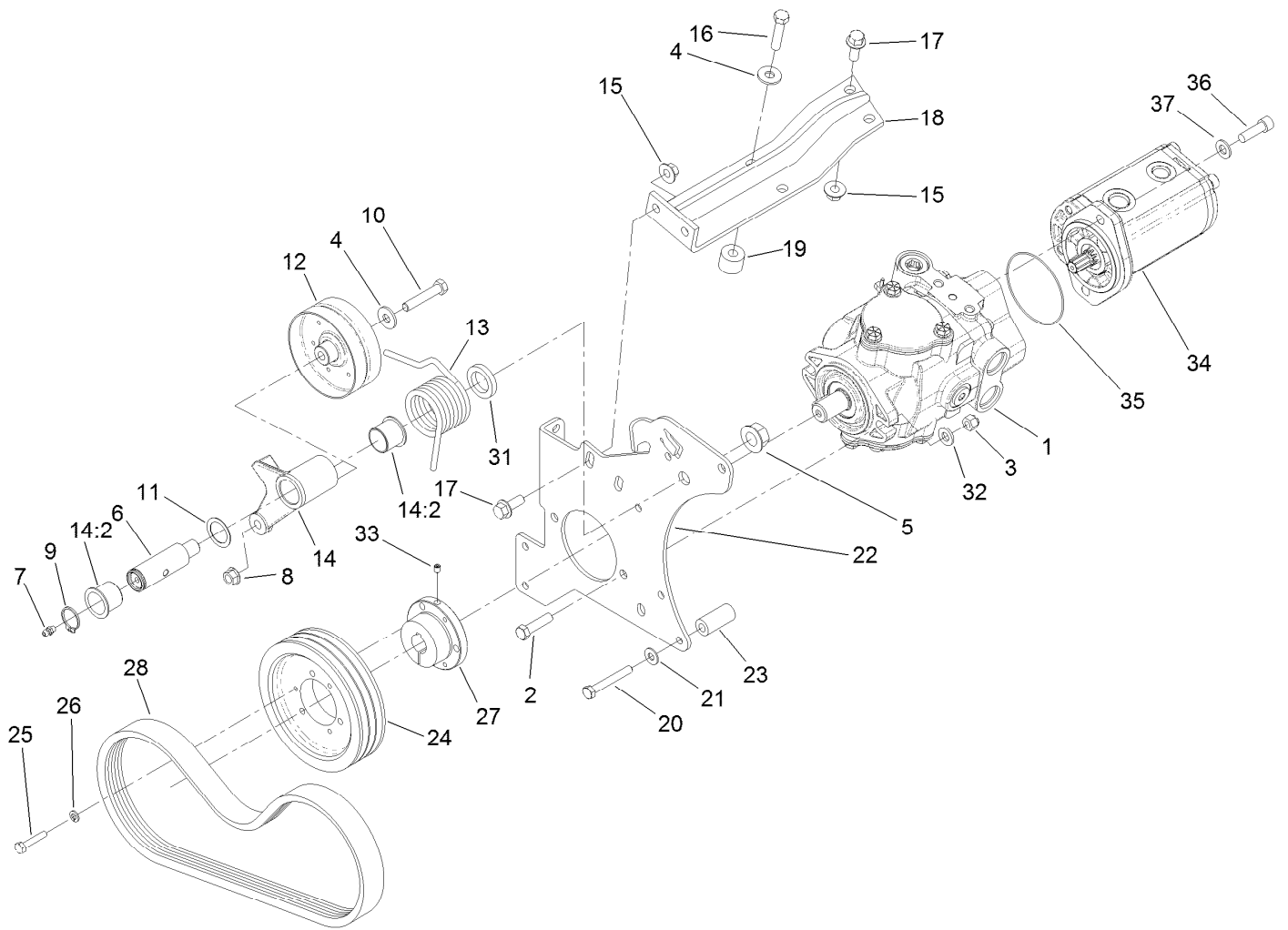
| Ref. | Part Number | Qty. | Description |
|------|-------------|------|-----------------------|
| 1 | 99-3090 | 1 | Shaft-Coupling |
| 2 | 3257-42 | 1 | Key-Woodruff |
| 3 | 100-6131 | 1 | Seal Kit |
| 3:1 | | 1 | Ring-Back Up ● |
| 3:2 | | 1 | Washer-Back Up ● |
| 3:3 | | 1 | Seal-Shaft ● |
| 3:4 | | 5 | Seal-Ring ● |
| 3:5 | | 1 | Seal-Commutator ● |
| 3:6 | | 1 | Seal-Dirt And Water ● |

● Not serviced separately



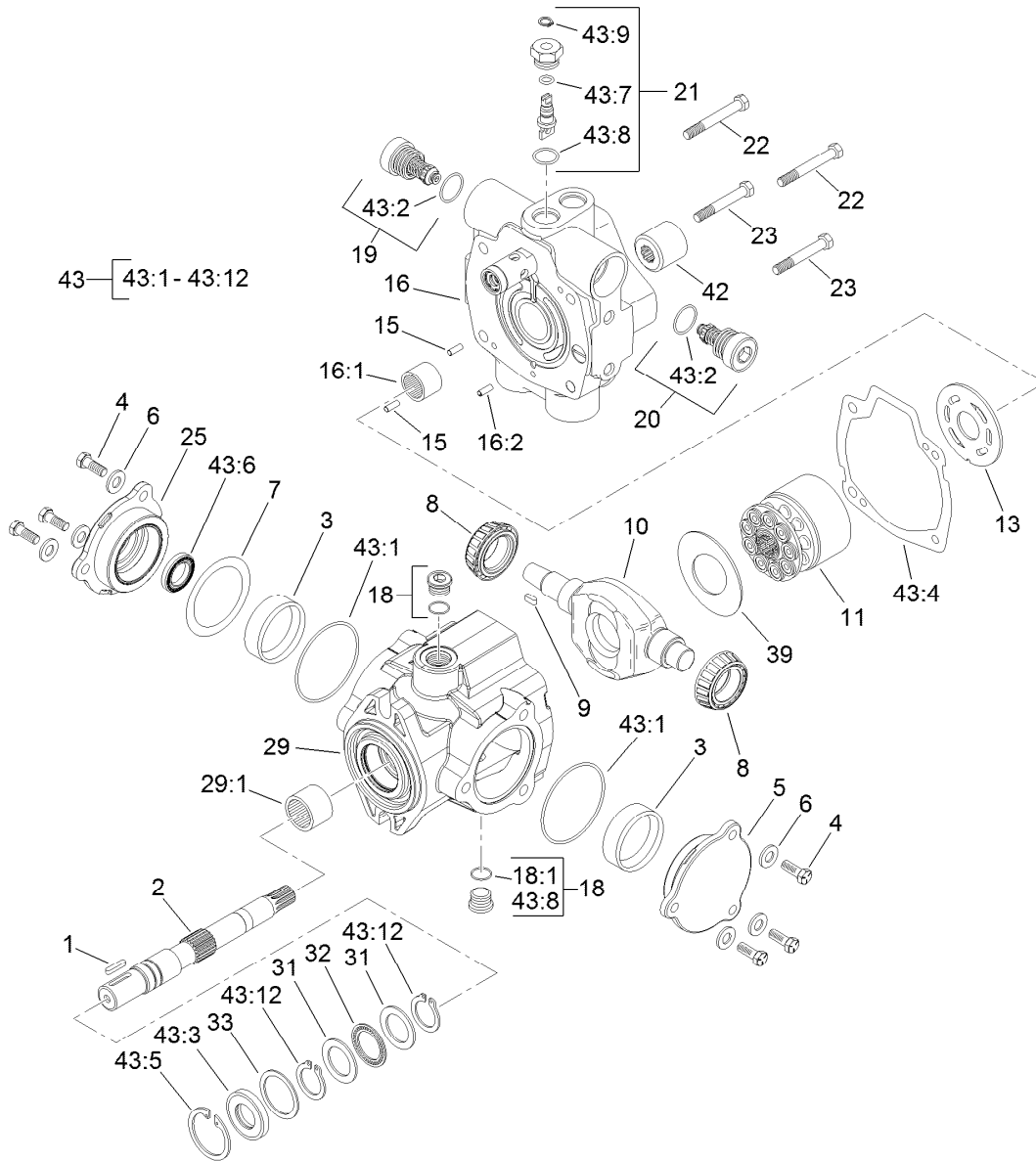
Neutral Arm Assembly

| <i>Ref.</i> | <i>Part Number</i> | <i>Qty.</i> | <i>Description</i> | <i>Ref.</i> | <i>Part Number</i> | <i>Qty.</i> | <i>Description</i> |
|-------------|--------------------|-------------|--------------------|-------------|--------------------|-------------|------------------------|
| 1 | 95-8960-03 | 1 | Bracket-Neutral | 16 | 3234-5 | 2 | Screw-HHF |
| 2 | 32128-43 | 1 | Nut-Flange | 17 | 104-0464-03 | 1 | Bracket-Support, Cable |
| 3 | 3234-1 | 3 | Screw-HHF | 18 | 251-259 | 1 | Bearing-Ball |
| 4 | 104-0422 | 1 | Neutral Arm ASM | 19 | 2411-41 | 1 | Rod End-Ball Joint |
| 4:2 | 256-113 | 2 | Bushing-Flange | 20 | 3296-42 | 1 | Nut-Lock, NI |
| 5 | 3-6498 | 1 | Washer-Thrust | 21 | 3274-104 | 1 | Screw-HSBH |
| 6 | 302-60 | 1 | Fitting-Grease | 22 | 99-3556 | 1 | Hose |
| 7 | 3296-29 | 1 | Nut-Lock, NI | 23 | 99-3594-03 | 1 | Lever-Pump |
| 8 | 100-4817 | 1 | Spacer | 24 | 321-8 | 1 | Screw-HH |
| 9 | 76-8640 | 1 | Stud-Traction | 25 | 2844 | 3 | Washer |
| 10 | 33093-00 | 2 | Washer-Flat | 26 | 95-3857 | 3 | Screw-HSBH |
| 11 | 94-1369 | 1 | Spring-Extension | 27 | 63-9750 | 3 | Mount |
| 12 | 3210-6 | 1 | Screw-HH | 28 | 3296-39 | 3 | Nut-Lock, NI |
| 13 | 88-7200 | 1 | Washer-Flat | 29 | 3256-22 | 1 | Washer-Flat |
| 14 | 120-5566 | 1 | Hub | 30 | 32153-3 | 1 | Nut-Hex, Side Deform |
| 15 | 32128-44 | 2 | Nut | | | | |



Piston Pump and Gear Pump Assembly

| <i>Ref.</i> | <i>Part Number</i> | <i>Qty.</i> | <i>Description</i> | <i>Ref.</i> | <i>Part Number</i> | <i>Qty.</i> | <i>Description</i> |
|-------------|--------------------|-------------|--------------------|-------------|--------------------|-------------|---------------------|
| 1 | 104-4890 | 1 | Piston Pump ASM | 18 | 99-3436-03 | 1 | Support-Pump |
| 2 | 323-8 | 2 | Screw-HH | 19 | 99-3440 | 2 | Spacer |
| 3 | 3296-39 | 2 | Nut-Lock, NI | 20 | 33114-060 | 4 | Screw-HH |
| 4 | 80-6990 | 2 | Washer-Hardened | 21 | 87-8640 | 3 | Washer-Flat |
| 5 | 32128-54 | 1 | Nut-HF | 22 | 95-8933-03 | 1 | Plate-Mount, Pump |
| 6 | 99-3624 | 1 | Shaft-Pivot, Idler | 23 | 95-8941 | 4 | Spacer-Mount, Pump |
| 7 | 302-5 | 1 | Fitting-Grease | 24 | 99-3620 | 1 | Pulley-3V, Pump |
| 8 | 32128-21 | 1 | Nut-HF Lock | 25 | 321-13 | 3 | Screw-HH |
| 9 | 32151-36 | 1 | Ring-Retaining | 26 | 3253-3 | 3 | Washer-Lock |
| 10 | 323-10 | 1 | Screw-HH | 27 | 100-4813 | 1 | Bushing-Lock, Taper |
| 11 | 74-1810 | 1 | Washer | 28 | 99-3619 | 1 | Belt-3V |
| 12 | 107-7834 | 1 | Pulley-Idler | 31 | 99-3625 | 1 | Spacer-Arm, Idler |
| 13 | 115-3488 | 1 | Spring-Torsion | 32 | 100-4852 | 2 | Washer-Hardened |
| 14 | 137-1653 | 1 | Idler Arm ASM | 33 | 3245-7 | 1 | Screw-Set |
| 14:2 | 126-1963 | 2 | Bushing-Pivot | 34 | 121-7841 | 1 | HYD Gear Pump ASM |
| 15 | 32128-43 | 4 | Nut-Flange | 35 | 60-3520 | 1 | O-Ring |
| 16 | 323-19 | 2 | Screw-HH | 36 | 323-7 | 2 | Screw-HH |
| 17 | 3234-11 | 4 | Screw-HHF | 37 | 3256-24 | 4 | Washer-Plain |

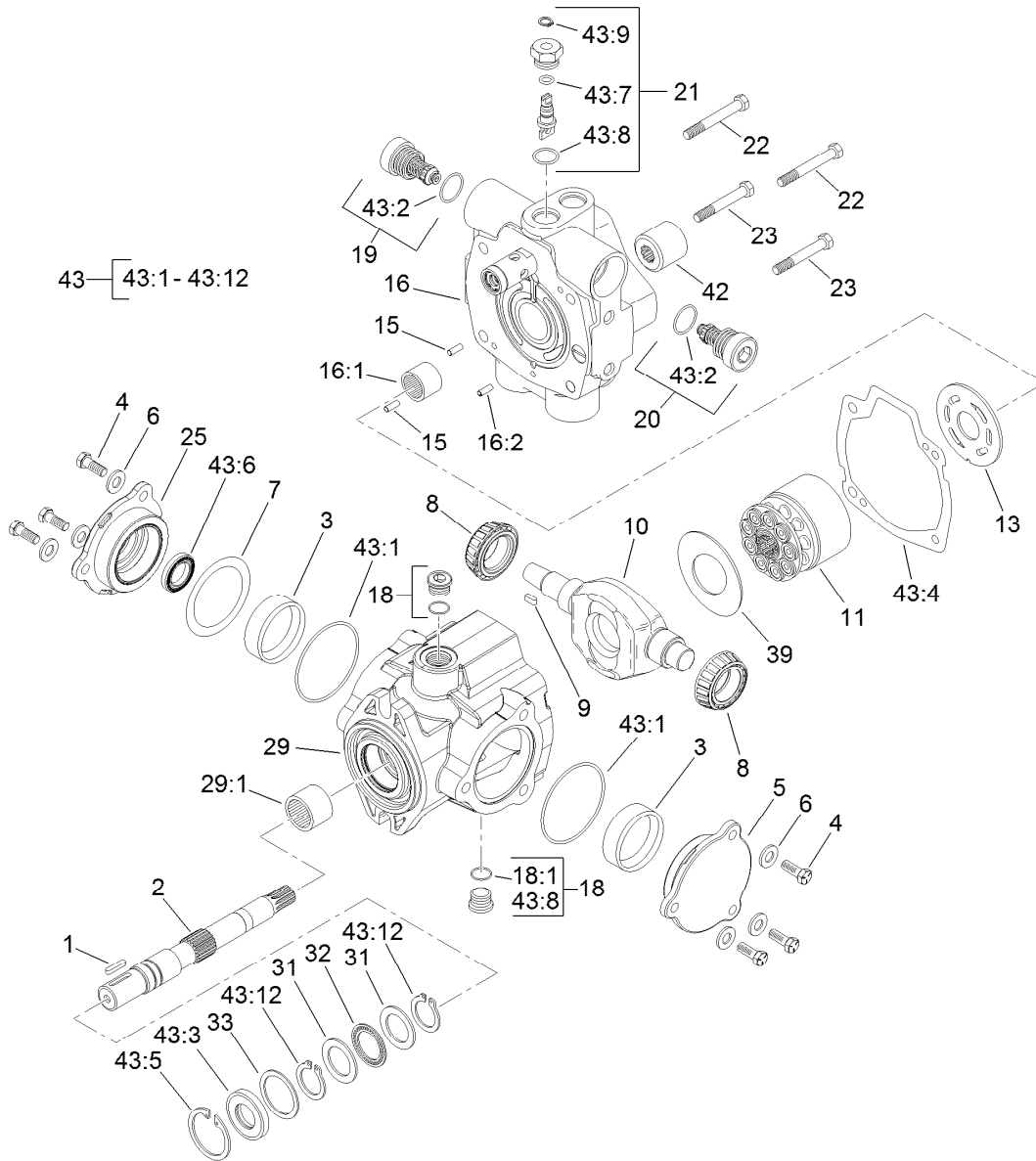


Hydraulic Pump Assembly No. 104-4890

| Ref. | Part Number | Qty. | Description | Ref. | Part Number | Qty. | Description |
|------|-------------|------|------------------|------|-------------|------|-------------------|
| 1 | 94-3645 | 1 | Key | 19 | 104-4889 | 1 | Relief Valve ASM |
| 2 | 94-6359 | 1 | Shaft-Drive | 20 | 105-3812 | 1 | Valve-Check |
| 3 | 104-4046 | 2 | Bearing-Cup | 21 | 105-3811 | 1 | Valve-Bypass |
| 4 | 98-4640 | 6 | Screw-Cap | 22 | 76-6170 | 2 | Capscrew |
| 5 | 98-4644 | 1 | Plate-Cover | 23 | 76-6160 | 2 | Capscrew |
| 6 | 105-9762 | 6 | Washer | 25 | 98-4645 | 1 | Plate-Cover |
| 7 | 100-3182 | 2 | Shim Kit | 29 | 100-3176 | 1 | Housing ASM |
| 8 | 98-4639 | 2 | Bearing-Cone | 29:1 | 94-6363 | 1 | Bearing |
| 9 | 94-3646 | 1 | Key | 31 | 252-71 | 2 | Washer-Thrust |
| 10 | 104-4888 | 1 | Swashplate | 32 | 252-66 | 1 | Bearing-Thrust |
| 11 | 76-6070 | 1 | Rotating Kit | 33 | 33-3720 | 1 | Washer |
| 13 | 104-0429 | 1 | Plate-Valve | 39 | 98-4635 | 1 | Insert-Plate, Cam |
| 15 | 76-6150 | 2 | Pin-Dowel | 42 | 74-9040 | 1 | Coupler |
| 16 | 105-3813 | 1 | Endcover Sub ASM | 43 | 120-5754 | 1 | Seal Kit |
| 16:1 | 94-6368 | 1 | Bearing | 43:1 | | 2 | O-Ring ■ |
| 16:2 | | 1 | Pin-Roll ■ | 43:2 | | 2 | O-Ring ■ |
| 18 | 74-9280 | 2 | Plug ASM | 43:3 | | 1 | Seal-Shaft ■ |
| 18:1 | | 1 | O-Ring ■ | 43:4 | | 1 | Gasket ■ |

● Not illustrated

■ Not serviced separately



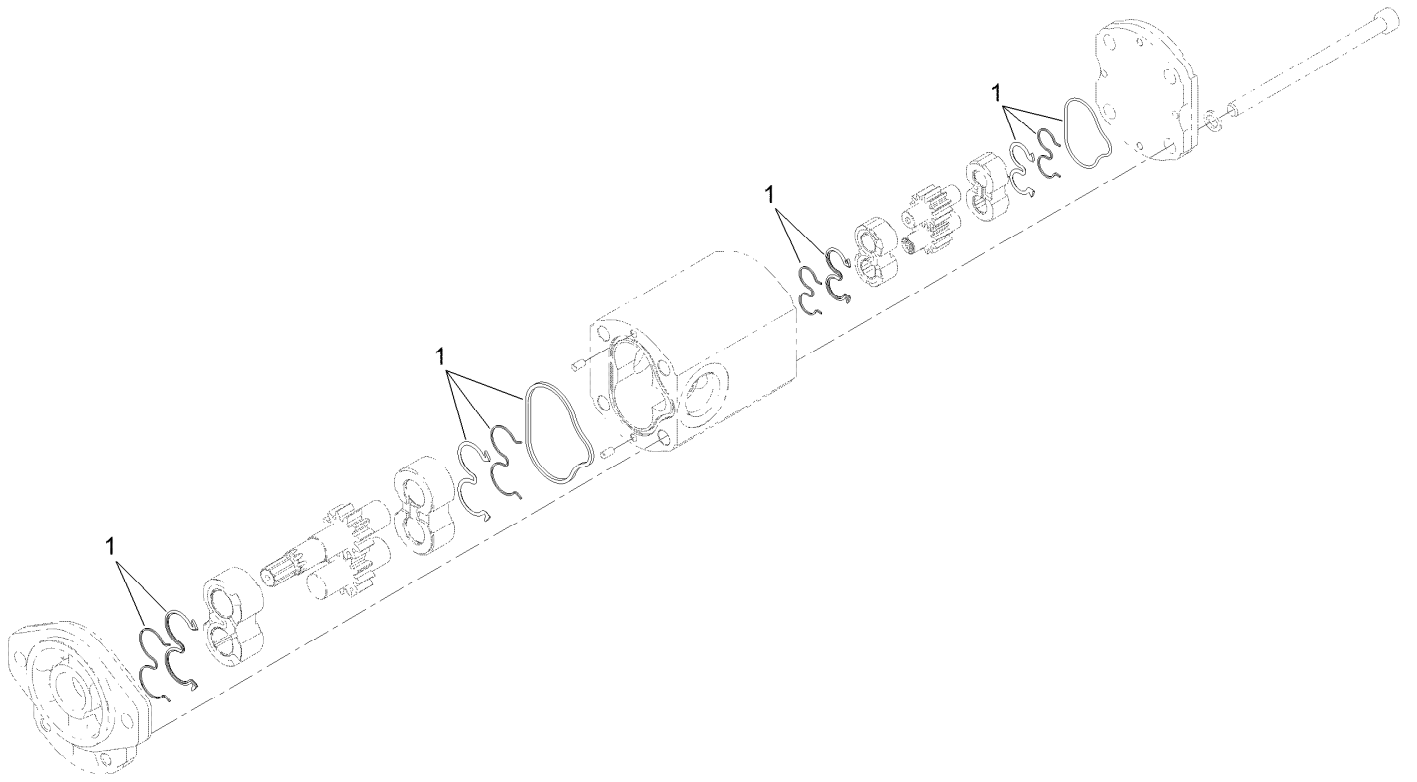
Hydraulic Pump Assembly No. 104-4890 (continued)

| Ref. | Part Number | Qty. | Description |
|------|-------------|------|------------------|
| 43:5 | | 1 | Ring-Retaining ■ |
| 43:6 | | 1 | Seal-Shaft ■ |
| 43:7 | | 1 | O-Ring ■ |
| 43:8 | | 5 | O-Ring ■ |
| 43:9 | | 1 | Ring-Retaining ■ |

| Ref. | Part Number | Qty. | Description |
|-------|-------------|------|------------------|
| 43:10 | | 1 | O-Ring ●■ |
| 43:11 | | 1 | O Ring-Molded ●■ |
| 43:12 | | 2 | Ring-Retaining ■ |
| 43:13 | | 1 | O-Ring ■● |

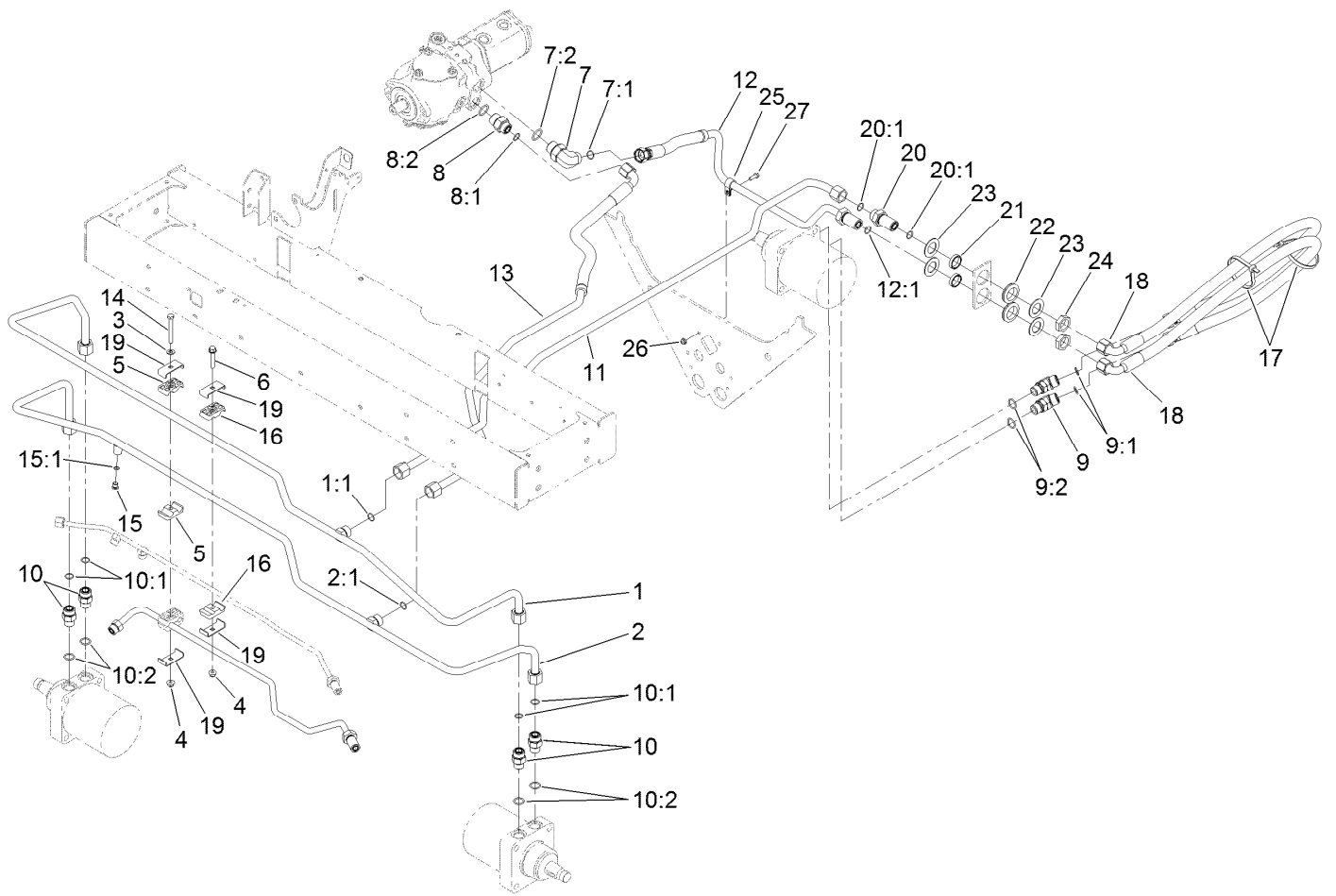
● Not illustrated

■ Not serviced separately



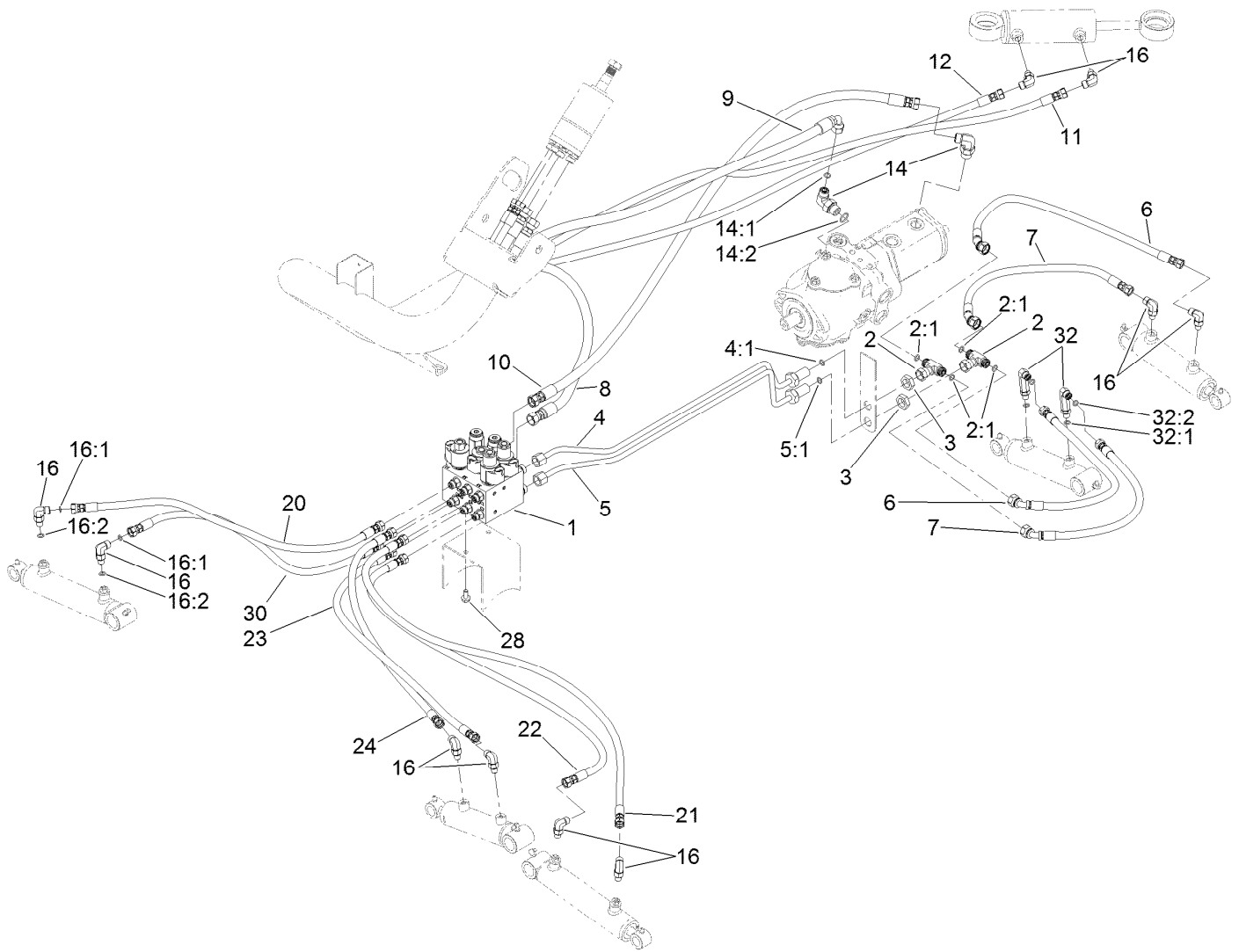
Hydraulic Gear Pump Assembly No. 121-7841

| <i>Ref.</i> | <i>Part Number</i> | <i>Qty.</i> | <i>Description</i> |
|-------------|--------------------|-------------|--------------------|
| 1 | 119-7134 | 1 | Kit-Seal |



Traction Hydraulic Assembly

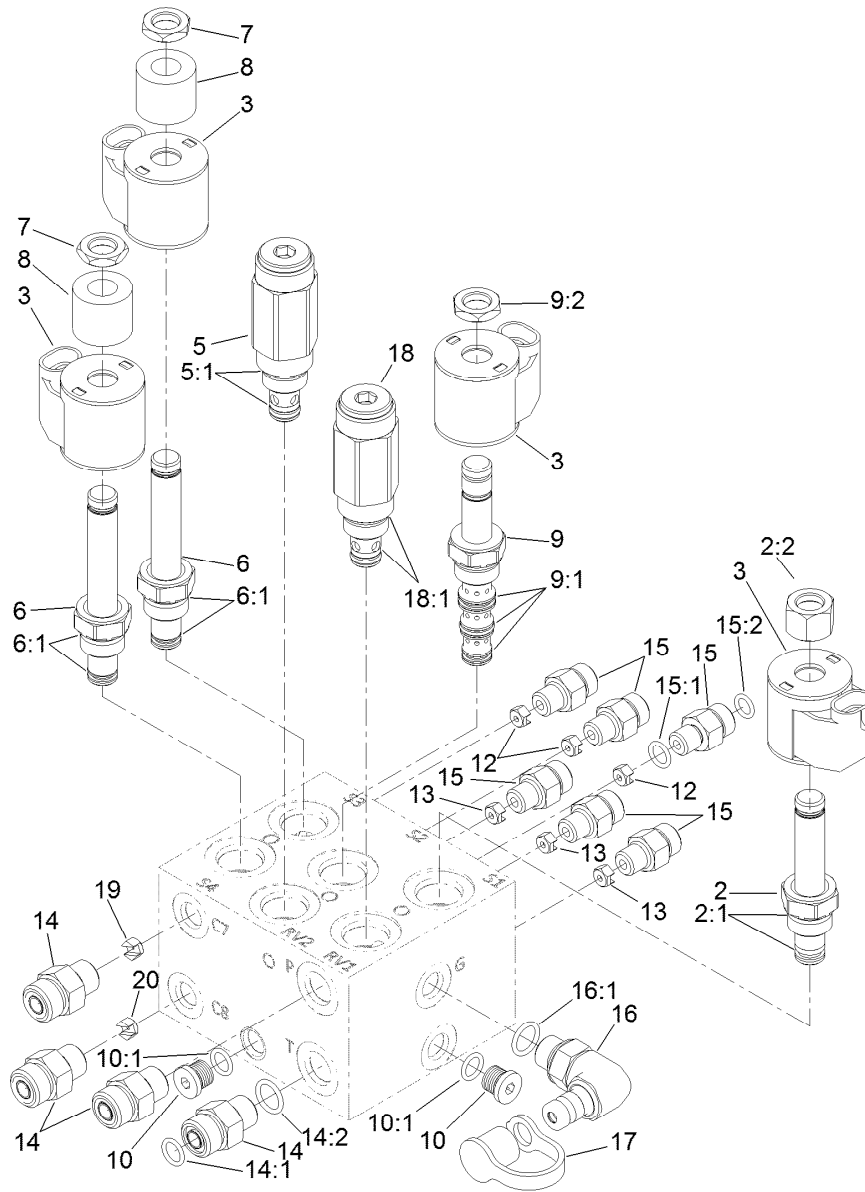
| Ref. | Part Number | Qty. | Description | Ref. | Part Number | Qty. | Description |
|------|-------------|------|---------------------|------|-------------|------|----------------------------------|
| 1 | 127-8498 | 1 | Tube-ASM | 12 | 133-4911 | 1 | HYD Tube ASM |
| 1:1 | 237-65 | 1 | O-Ring | 12:1 | 237-65 | 1 | O-Ring |
| 2 | 127-8499 | 1 | Tube-ASM | 13 | 127-8514 | 1 | Tube-HYD |
| 2:1 | 237-65 | 1 | O-Ring | 14 | 322-13 | 1 | Screw-HH |
| 3 | 3256-23 | 1 | Washer-Plain | 15 | 353-990 | 1 | Plug ASM |
| 4 | 104-8300 | 2 | Nut-HF, NI | 15:1 | 237-78 | 1 | O-Ring |
| 5 | 56-7971 | 2 | Clamp-Tube | 16 | 56-7970 | 2 | Clamp-Tube |
| 6 | 94-5780 | 1 | Screw-HWH | 17 | 3334-945 | 2 | Tie-Cable |
| 7 | 340-139 | 1 | Fitting-Elbow 90 | 18 | 119-3922 | 2 | Hose-HYD |
| 7:1 | 237-81 | 1 | O-Ring | 19 | 119-1419 | 4 | Plate-Clamp |
| 7:2 | 237-65 | 1 | O-Ring | 20 | 340-76 | 1 | Fitting-Bulkhead Union, Straight |
| 8 | 340-8 | 1 | Fitting-Straight | 20:1 | 237-65 | 2 | O-Ring |
| 8:1 | 237-65 | 1 | O-Ring | 21 | 125-1984 | 2 | Spacer |
| 8:2 | 237-81 | 1 | O-Ring | 22 | 240-3 | 2 | Grommet-Rubber |
| 9 | 340-14 | 2 | Fitting-HYD, 45 DEG | 23 | 69-9010 | 4 | Washer |
| 9:1 | 237-65 | 1 | O-Ring | 24 | 340-74 | 2 | Nut-Lock, Bulkhead |
| 9:2 | 237-80 | 1 | O-Ring | 25 | 2412-87 | 1 | Clamp-Cable |
| 10 | 340-7 | 4 | Fitting-Straight | 26 | 104-7201 | 1 | Nut-HF, NI |
| 10:1 | 237-65 | 1 | O-Ring | 27 | 321-4 | 1 | Screw-HH |
| 10:2 | 237-80 | 1 | O-Ring | | | | |
| 11 | 127-8513 | 1 | Tube-HYD | | | | |



Lift Hydraulic Assembly

| Ref. | Part Number | Qty. | Description |
|------|-------------|------|---------------------|
| 1 | 127-8444 | 1 | Lift Manifold ASM |
| 2 | 340-166 | 2 | Fitting-Tee |
| 2:1 | 237-22 | 2 | O-Ring |
| 3 | 340-70 | 2 | Nut-Lock |
| 4 | 133-4926 | 1 | Tube-HYD |
| 4:1 | 237-22 | 1 | O-Ring |
| 5 | 133-4927 | 1 | Tube-HYD |
| 5:1 | 237-22 | 1 | O-Ring |
| 6 | 139-5978 | 2 | Hose-HYD |
| 7 | 139-5977 | 2 | Hose-HYD |
| 8 | 120-2060 | 1 | Hose-HYD |
| 9 | 120-2061 | 1 | Hose-HYD |
| 10 | 92-5691 | 1 | Hose-HYD |
| 11 | 121-7836 | 1 | Hose-HYD |
| 12 | 108-5673 | 1 | Hose-HYD |
| 14 | 340-18 | 2 | Fitting-HYD, 90 DEG |

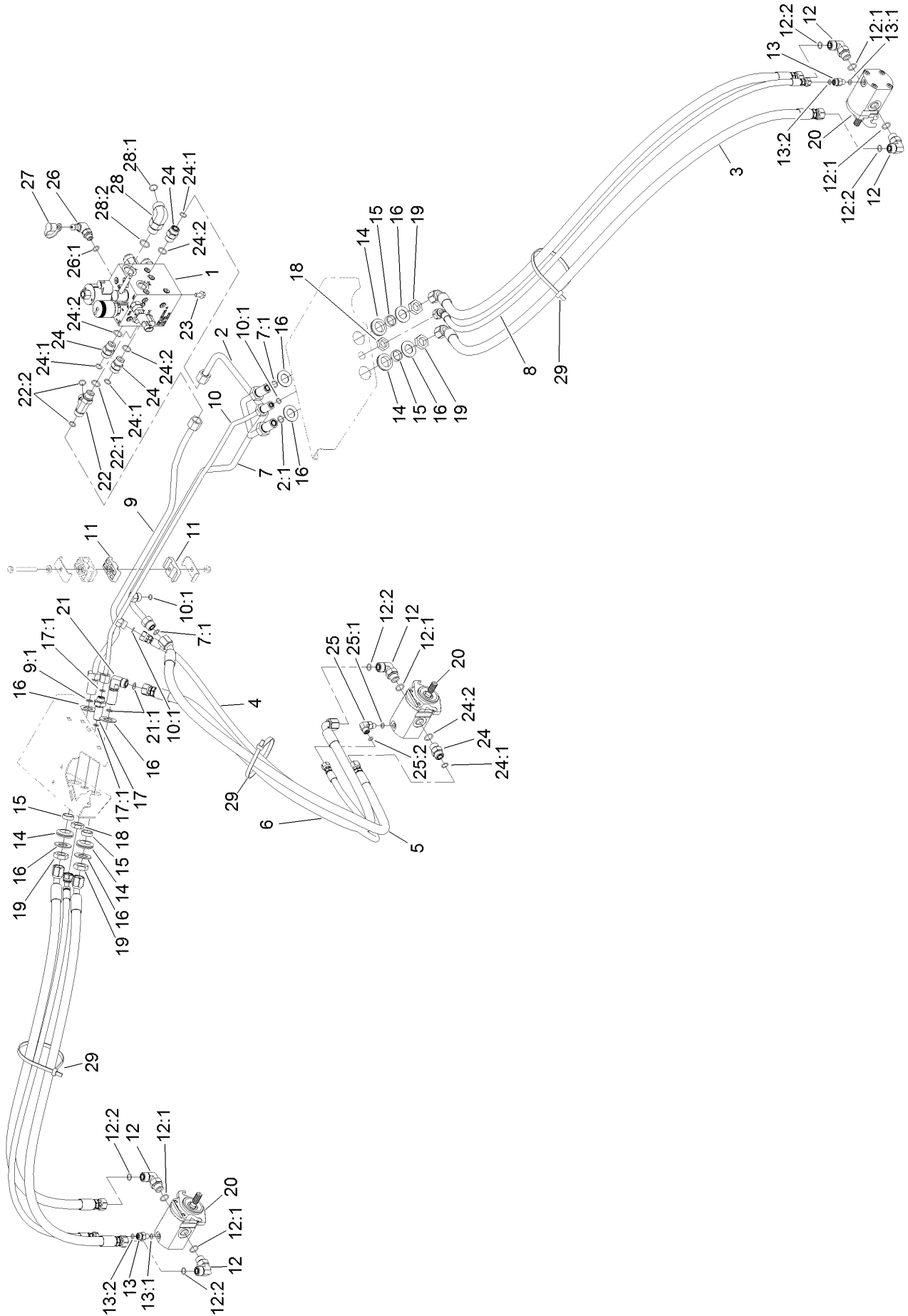
| Ref. | Part Number | Qty. | Description |
|------|-------------|------|-----------------------|
| 14:1 | 237-79 | 1 | O-Ring |
| 14:2 | 237-22 | 1 | O-Ring |
| 16 | 340-132 | 10 | Fitting-Elbow, 90 DEG |
| 16:1 | 237-78 | 1 | O-Ring |
| 16:2 | 237-21 | 1 | O-Ring |
| 20 | 108-6508 | 1 | Hose-HYD |
| 21 | 104-9323 | 1 | Hose-HYD |
| 22 | 108-6507 | 1 | Hose-HYD |
| 23 | 106-9674 | 1 | Hose-HYD |
| 24 | 92-7564 | 1 | Hose-HYD |
| 28 | 3234-7 | 2 | Screw-HHF |
| 30 | 108-6506 | 1 | Hose-HYD |
| 32 | 100-7695 | 2 | Fitting-Elbow 90 |
| 32:1 | 237-78 | 1 | O-Ring |
| 32:2 | 237-21 | 1 | O-Ring |



Lift Manifold Assembly No. 127-8444

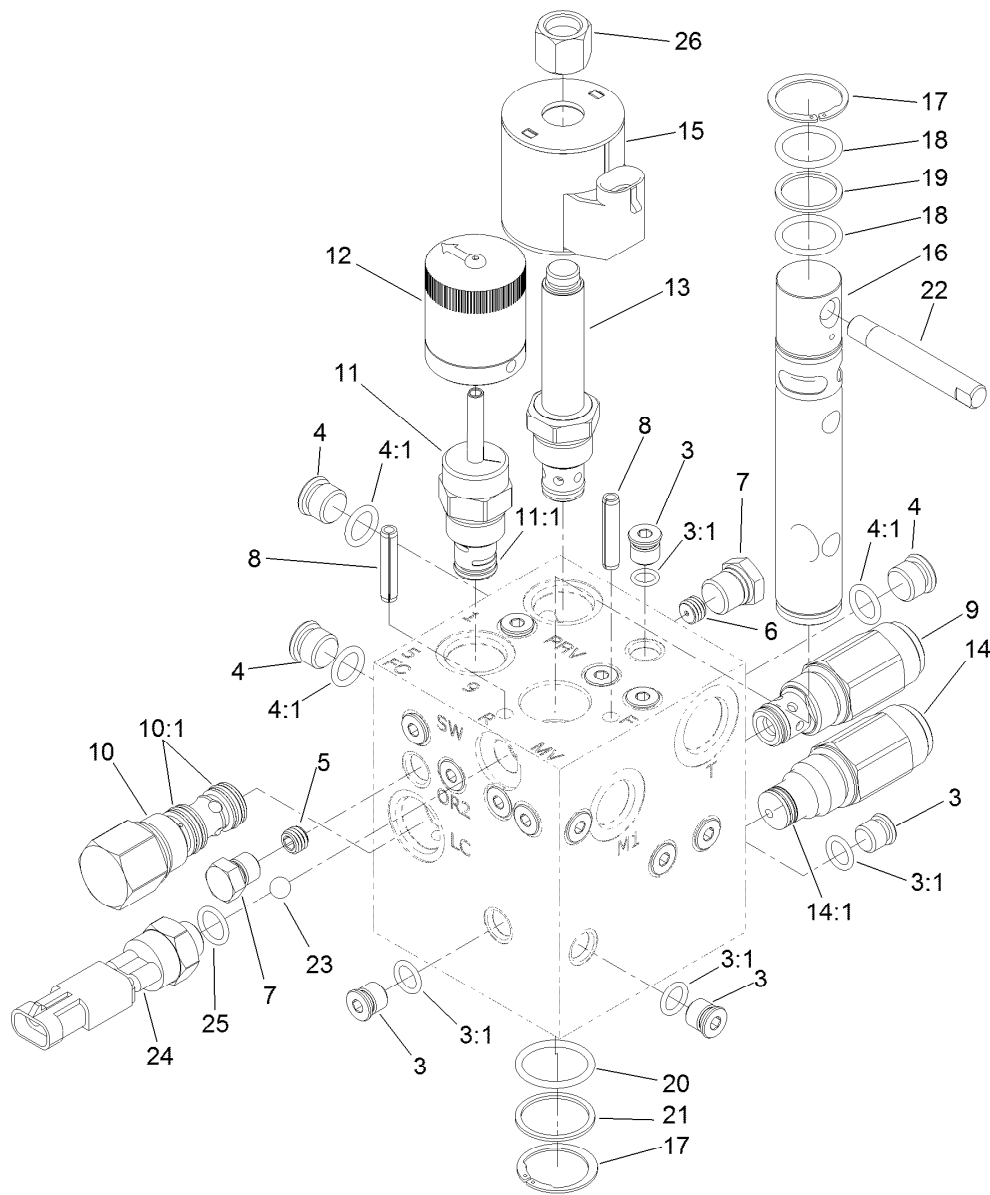
| Ref. | Part Number | Qty. | Description | Ref. | Part Number | Qty. | Description |
|------|-------------|------|-------------------------------|------|-------------|------|-------------------------------|
| 2 | 107-7517 | 1 | Valve-Solenoid | 13 | 110-8902 | 3 | Orifice-Control, Flow (0.046) |
| 2:1 | 105-9156 | 1 | Seal Kit | 14 | 340-2 | 4 | Fitting-Straight |
| 2:2 | 107-7812 | 1 | Nut-Solenoid | 14:1 | 237-22 | 1 | O-Ring |
| 3 | 110-0497 | 4 | Coil-Solenoid | 14:2 | 237-42 | 1 | O-Ring |
| 5 | 120-1663 | 1 | Valve-Relief, 500 PSI | 15 | 340-92 | 6 | Fitting-Straight |
| 5:1 | 105-9156 | 1 | Seal Kit | 15:1 | 237-78 | 1 | O-Ring |
| 6 | 136-6351 | 2 | Valve-Double Blocking | 15:2 | 237-21 | 1 | O-Ring |
| 6:1 | 107-7527 | 1 | Seal Kit | 16 | 115-9148 | 1 | Fitting-Elbow-90 |
| 7 | 110-2634 | 3 | Nut-Coil | 16:1 | 237-42 | 1 | O-Ring |
| 8 | 110-8909 | 2 | Spacer-Coil | 17 | 354-79 | 1 | Cap-Dust |
| 9 | 120-1665 | 1 | Valve-Solenoid | 18 | 117-8312 | 1 | Valve-Relief |
| 9:1 | 112-6520 | 1 | Seal Kit | 18:1 | 105-9156 | 1 | Seal Kit |
| 9:2 | 110-2634 | 1 | Nut-Coil | 19 | 119-5342 | 1 | Orifice-Control, Flow (.035) |
| 10 | 353-990 | 2 | Plug ASM | 20 | 119-2010 | 1 | Orifice-Control, Flow (0.055) |
| 10:1 | 237-78 | 1 | O-Ring | | | | |
| 12 | 121-7879 | 3 | Orifice-Control, Flow (0.040) | | | | |

Cutting Unit No. 1, No. 4 and No. 5 Mow Hydraulic Assembly



Cutting Unit No. 1, No. 4 and No. 5 Mow Hydraulic Assembly (continued)

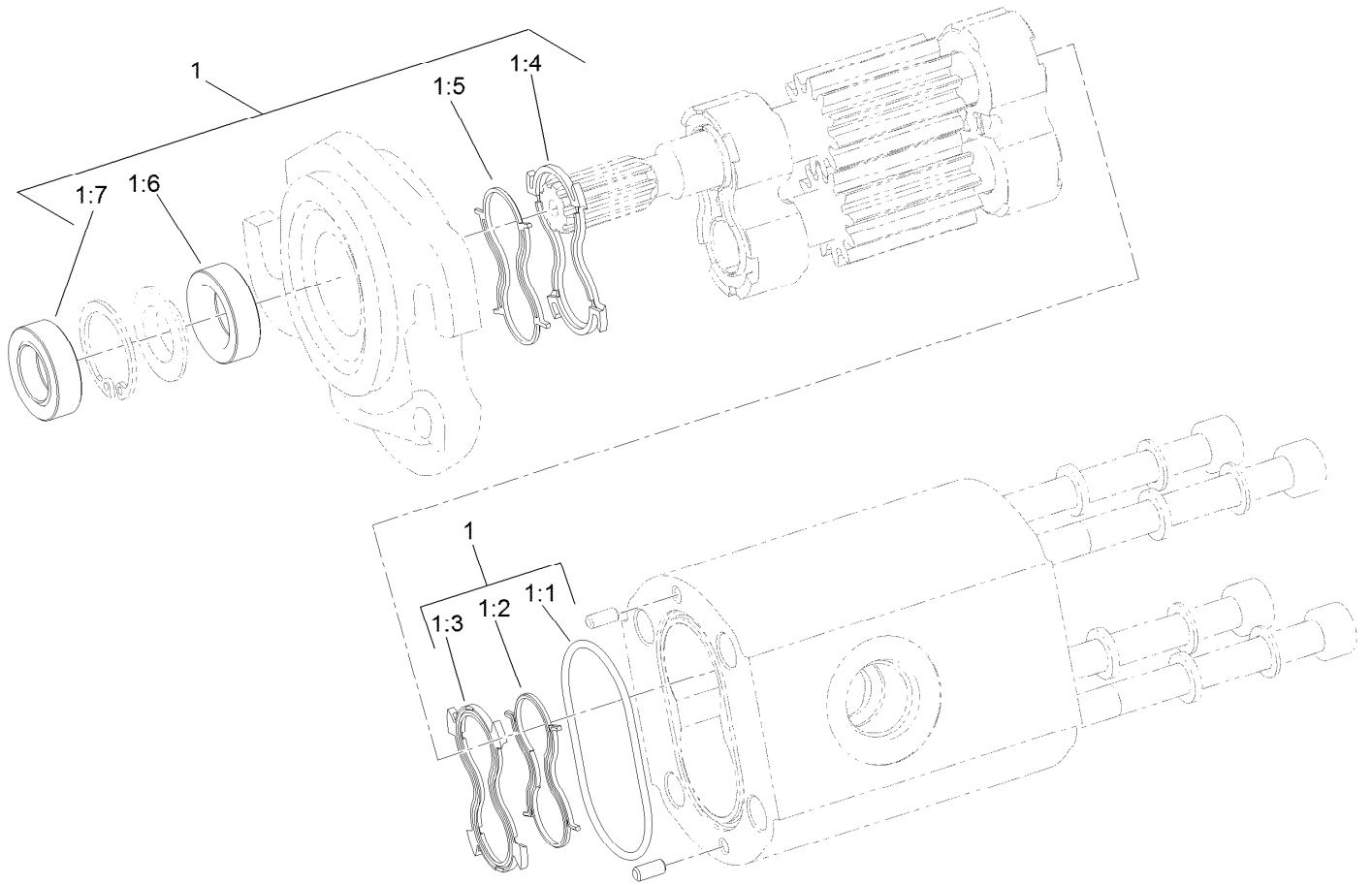
| <i>Ref.</i> | <i>Part Number</i> | <i>Qty.</i> | <i>Description</i> | <i>Ref.</i> | <i>Part Number</i> | <i>Qty.</i> | <i>Description</i> |
|-------------|--------------------|-------------|-----------------------|-------------|--------------------|-------------|----------------------------|
| 1 | 120-2058 | 1 | HYD Mow Manifold ASM | 17 | 340-71 | 1 | Fitting-Straight, Bulkhead |
| 2 | 127-8511 | 1 | Tube-HYD | 17:1 | 237-22 | 2 | O-Ring |
| 2:1 | 237-30 | 1 | O-Ring | 18 | 340-70 | 2 | Nut-Lock |
| 3 | 139-5981 | 4 | Hose ASM | 19 | 340-127 | 4 | Nut-Bulkhead |
| 4 | 139-5980 | 1 | Hose-HYD | 20 | 120-2072 | 3 | HYD Motor ASM |
| 5 | 121-7861 | 1 | Hose-HYD | 21 | 93-9151 | 1 | Fitting-HYD |
| 6 | 139-5979 | 1 | Hose-HYD | 21:1 | 237-30 | 2 | O-Ring |
| 7 | 127-8551 | 1 | Tube-HYD | 22 | 340-109 | 1 | Fitting-Tee |
| 7:1 | 237-30 | 2 | O-Ring | 22:1 | 237-79 | 1 | O-Ring |
| 8 | 139-5982 | 2 | Hose ASM | 22:2 | 237-30 | 2 | O-Ring |
| 9 | 127-8509 | 1 | Tube-HYD | 23 | 3234-7 | 2 | Screw-HHF |
| 9:1 | 237-30 | 1 | O-Ring | 24 | 340-4 | 4 | Fitting-Straight |
| 10 | 120-2104 | 1 | Tube-HYD | 24:1 | 237-30 | 1 | O-Ring |
| 10:1 | 237-22 | 3 | O-Ring | 24:2 | 237-79 | 1 | O-Ring |
| 11 | 56-7976 | 2 | Clamp-Tube | 25 | 340-132 | 1 | Fitting-Elbow, 90 DEG |
| 12 | 340-98 | 5 | Fitting-Elbow, 90 DEG | 25:1 | 237-78 | 1 | O-Ring |
| 12:1 | 237-79 | 1 | O-Ring | 25:2 | 237-21 | 1 | O-Ring |
| 12:2 | 237-30 | 1 | O-Ring | 26 | 115-9148 | 1 | Fitting-Elbow-90 |
| 13 | 340-92 | 2 | Fitting-Straight | 26:1 | 237-42 | 1 | O-Ring |
| 13:1 | 237-78 | 1 | O-Ring | 27 | 354-79 | 1 | Cap-Dust |
| 13:2 | 237-21 | 1 | O-Ring | 28 | 340-17 | 1 | Fitting-Elbow, 90 DEG |
| 14 | 240-5 | 4 | Grommet | 28:1 | 237-65 | 1 | O-Ring |
| 15 | 69-8960 | 4 | Spacer | 28:2 | 237-80 | 1 | O-Ring |
| 16 | 69-8930 | 8 | Washer | 29 | 3334-945 | 3 | Tie-Cable |



Mow Manifold Assembly No. 120-2058

| Ref. | Part Number | Qty. | Description | Ref. | Part Number | Qty. | Description |
|------|-------------|------|----------------------------|------|-------------|------|-----------------------------|
| 3 | 353-990 | 17 | Plug ASM | 13:2 | 130-8180 | 1 | Nut-Coil (9/16-24 Unef-2B)● |
| 3:1 | 237-78 | 1 | O-Ring | 14 | 121-7883 | 1 | Valve-Relief, 2000 PSI |
| 4 | 353-989 | 4 | Plug-Hex, Hollow | 14:1 | 110-6316 | 1 | Seal Kit● |
| 4:1 | 237-42 | 1 | O-Ring | 15 | 110-6344 | 1 | Coil-12V, DC |
| 5 | 110-8889 | 1 | Plug-Orifice (0.020) | 16 | 120-1652 | 1 | Spool-Backlap |
| 6 | 110-0495 | 1 | Plug-Orifice (0.050 Inch) | 17 | 120-1653 | 2 | Ring-Retaining, External |
| 7 | 117-0115 | 1 | Plug | 18 | 120-1657 | 2 | O-Ring |
| 8 | 112-6531 | 2 | Pin-Spring | 19 | 120-1656 | 1 | Ring-Backup |
| 9 | 132-4912 | 1 | Valve-Check | 20 | 120-1655 | 1 | O-Ring |
| 10 | 121-7880 | 1 | Spool-Logic | 21 | 120-1654 | 1 | Ring-Backup |
| 10:1 | 119-2159 | 1 | Seal Kit● | 22 | 120-1651 | 1 | Handle-Spool |
| 11 | 110-8769 | 1 | Valve-Control, Manual Flow | 23 | 117-4605 | 1 | Ball-SS |
| 11:1 | 110-2633 | 1 | Seal Kit | 24 | 72-4320 | 1 | Switch-Ball |
| 12 | 110-8767 | 1 | Rotary Handle ASM | 25 | 110-8757 | 1 | O-Ring |
| 13 | 110-8799 | 1 | Valve-Relief, Proportional | 26 | 130-8180 | 1 | Nut-Coil (9/16-24 Unef-2B) |
| 13:1 | 110-6316 | 1 | Seal Kit● | | | | |

● Not illustrated

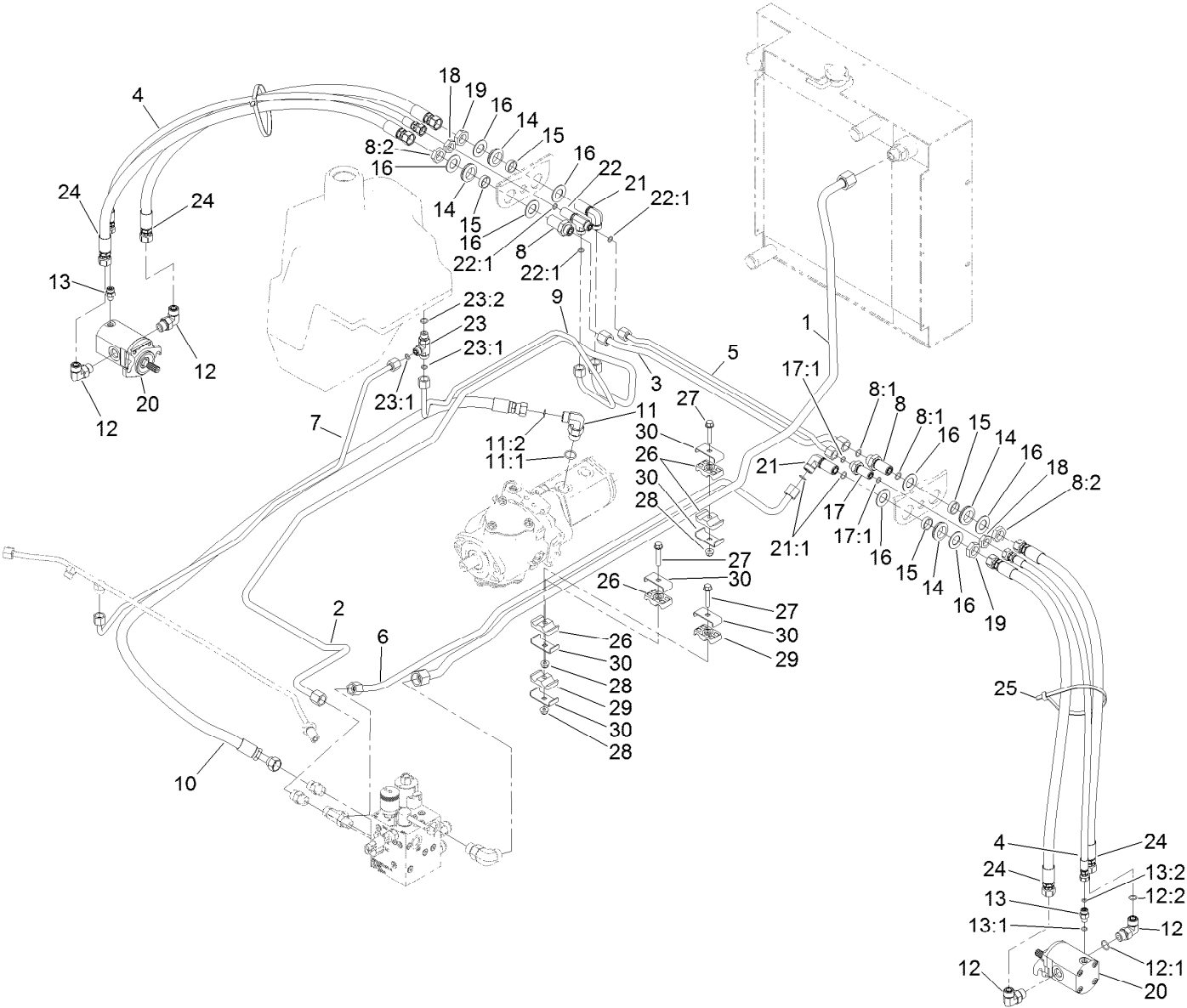


Hydraulic Reel Motor Assembly No. 120-2072

| <i>Ref.</i> | <i>Part Number</i> | <i>Qty.</i> | <i>Description</i> |
|-------------|--------------------|-------------|-------------------------|
| 1 | 119-7113 | 1 | Seal Kit |
| 1:1 | | 1 | O-Ring Housing ● |
| 1:2 | | 1 | Seal-Anti Extrusion ● |
| 1:3 | | 1 | Seal-Plate, Balancing ● |
| 1:4 | | 1 | Seal-Plate, Balancing ● |
| 1:5 | | 1 | Seal-Anti Extrusion ● |
| 1:6 | | 1 | Seal-Shaft (Inboard) ● |
| 1:7 | | 1 | Seal-Shaft (Outboard) ● |

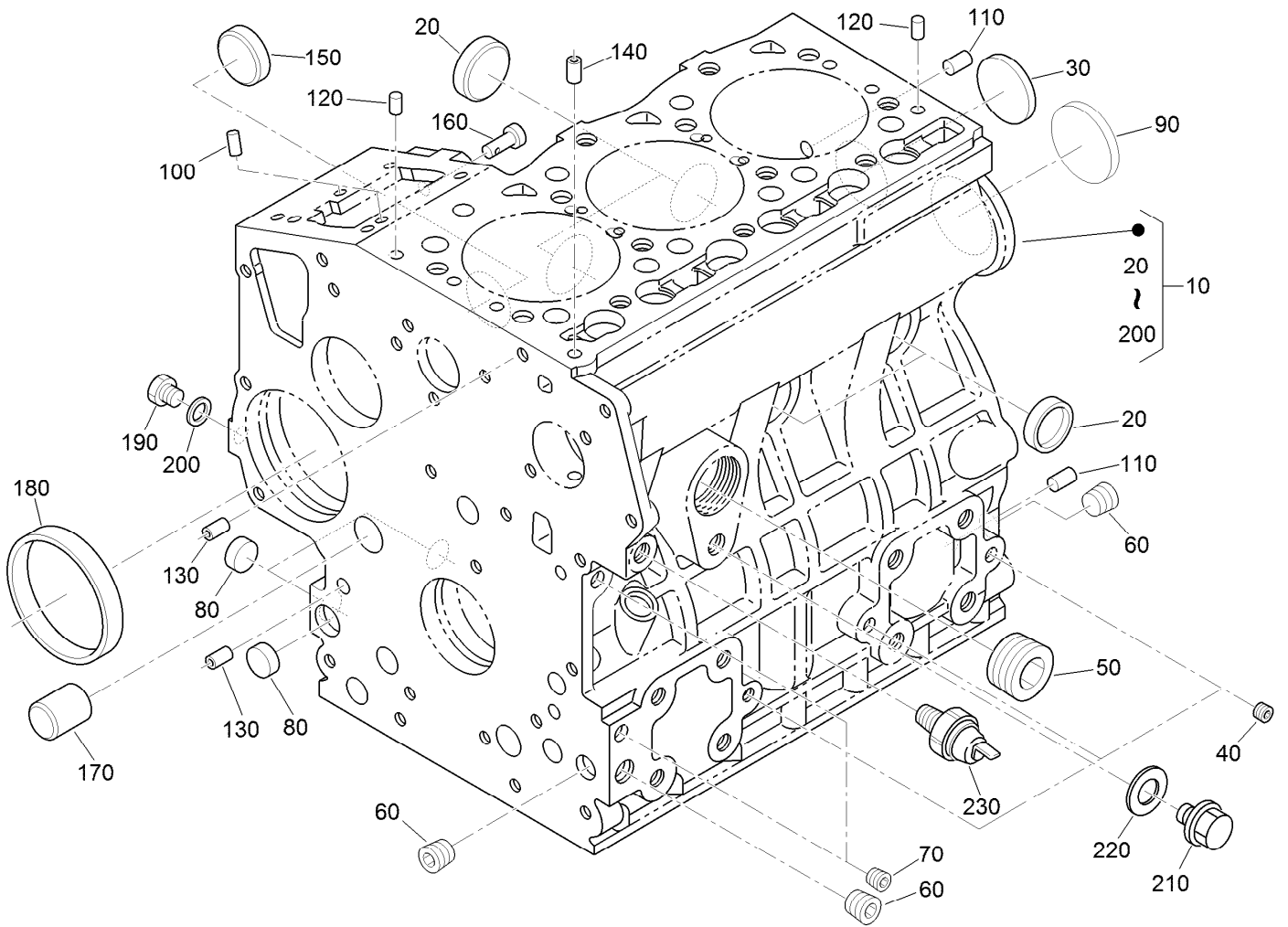
● Not serviced separately

Rear Mow Hydraulic Circuit Assembly



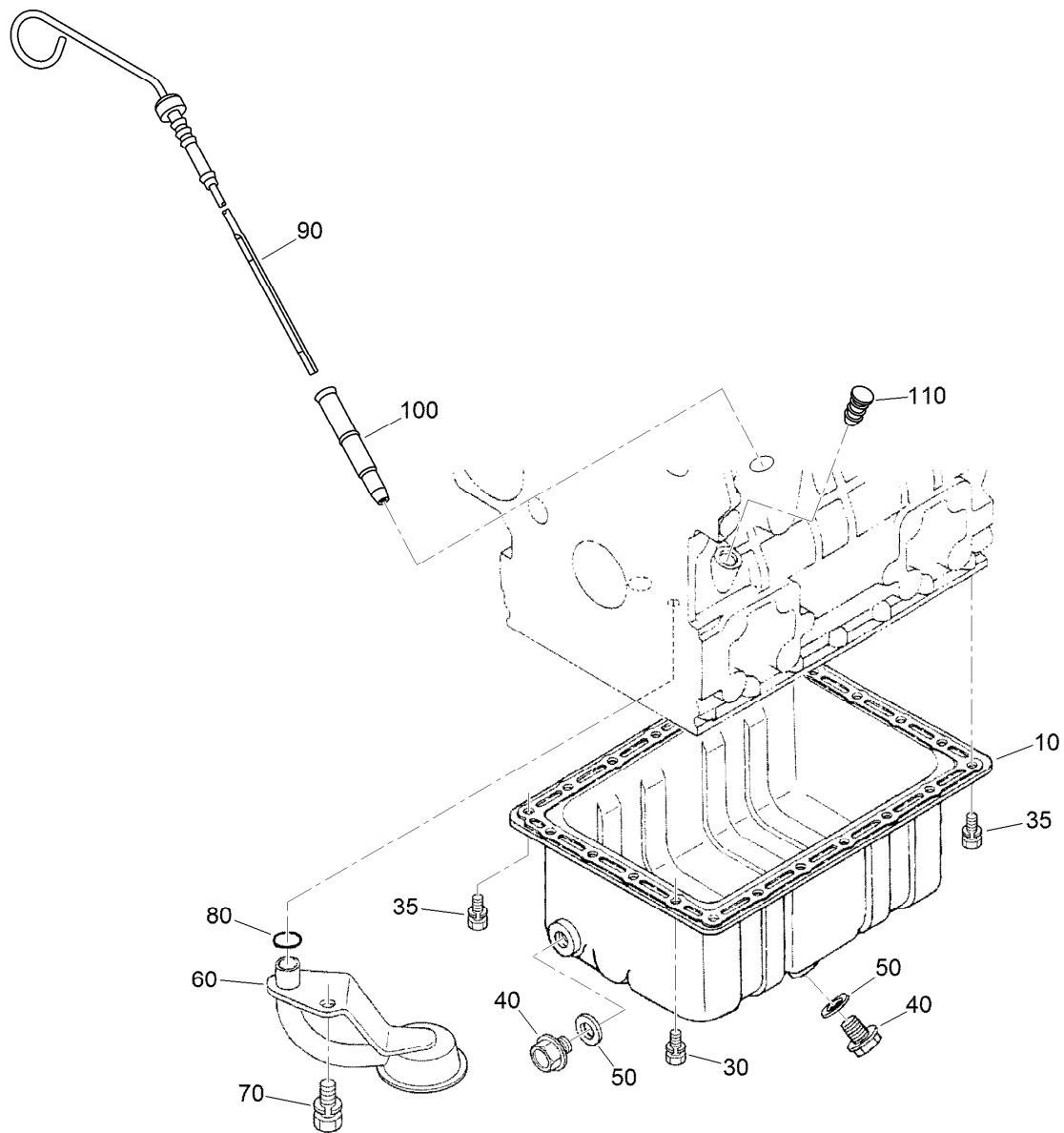
Rear Mow Hydraulic Circuit Assembly (continued)

| <i>Ref.</i> | <i>Part Number</i> | <i>Qty.</i> | <i>Description</i> | <i>Ref.</i> | <i>Part Number</i> | <i>Qty.</i> | <i>Description</i> |
|-------------|--------------------|-------------|-----------------------|-------------|--------------------|-------------|----------------------------|
| 1 | 127-8512 | 1 | Tube-HYD | 15 | 69-8960 | 4 | Spacer |
| 2 | 127-8508 | 1 | Tube-HYD | 16 | 69-8930 | 8 | Washer |
| 3 | 120-2173 | 1 | Tube-HYD | 17 | 340-71 | 1 | Fitting-Straight, Bulkhead |
| 4 | 139-5983 | 2 | Hose-HYD | 17:1 | 237-22 | 2 | O-Ring |
| 5 | 120-2174 | 1 | Tube-HYD | 18 | 340-70 | 2 | Nut-Lock |
| 6 | 127-8510 | 1 | Tube-HYD | 19 | 340-127 | 2 | Nut-Bulkhead |
| 7 | 121-7843 | 1 | Tube-HYD | 20 | 120-2072 | 2 | HYD Motor ASM |
| 8 | 340-161 | 2 | Fitting-Bulkhead | 21 | 93-9151 | 2 | Fitting-HYD |
| 8:1 | 237-30 | 2 | O-Ring | 21:1 | 237-30 | 2 | O-Ring |
| 8:2 | 340-127 | 1 | Nut-Bulkhead | 22 | 340-68 | 1 | Fitting-Tee, Bulkhead |
| 9 | 120-2180 | 1 | Tube-HYD | 22:1 | 237-22 | 3 | O-Ring |
| 10 | 121-7812 | 1 | Hose-HYD | 23 | 340-86 | 1 | Fitting-Tee |
| 11 | 340-105 | 1 | Fitting-Elbow, 90 DEG | 23:1 | 237-22 | 2 | O-Ring |
| 11:1 | 237-80 | 1 | O-Ring | 23:2 | 237-42 | 1 | O-Ring |
| 11:2 | 237-30 | 1 | O-Ring | 24 | 95-8824 | 4 | Hose ASM |
| 12 | 340-98 | 4 | Fitting-Elbow, 90 DEG | 25 | 3334-945 | 2 | Tie-Cable |
| 12:1 | 237-79 | 1 | O-Ring | 26 | 56-7977 | 6 | Clamp-Tube |
| 12:2 | 237-30 | 1 | O-Ring | 27 | 94-5780 | 5 | Screw-HWH |
| 13 | 340-92 | 2 | Fitting-Straight | 28 | 104-8300 | 5 | Nut-HF, NI |
| 13:1 | 237-78 | 1 | O-Ring | 29 | 56-7971 | 4 | Clamp-Tube |
| 13:2 | 237-21 | 1 | O-Ring | 30 | 119-1419 | 10 | Plate-Clamp |
| 14 | 240-5 | 4 | Grommet | | | | |



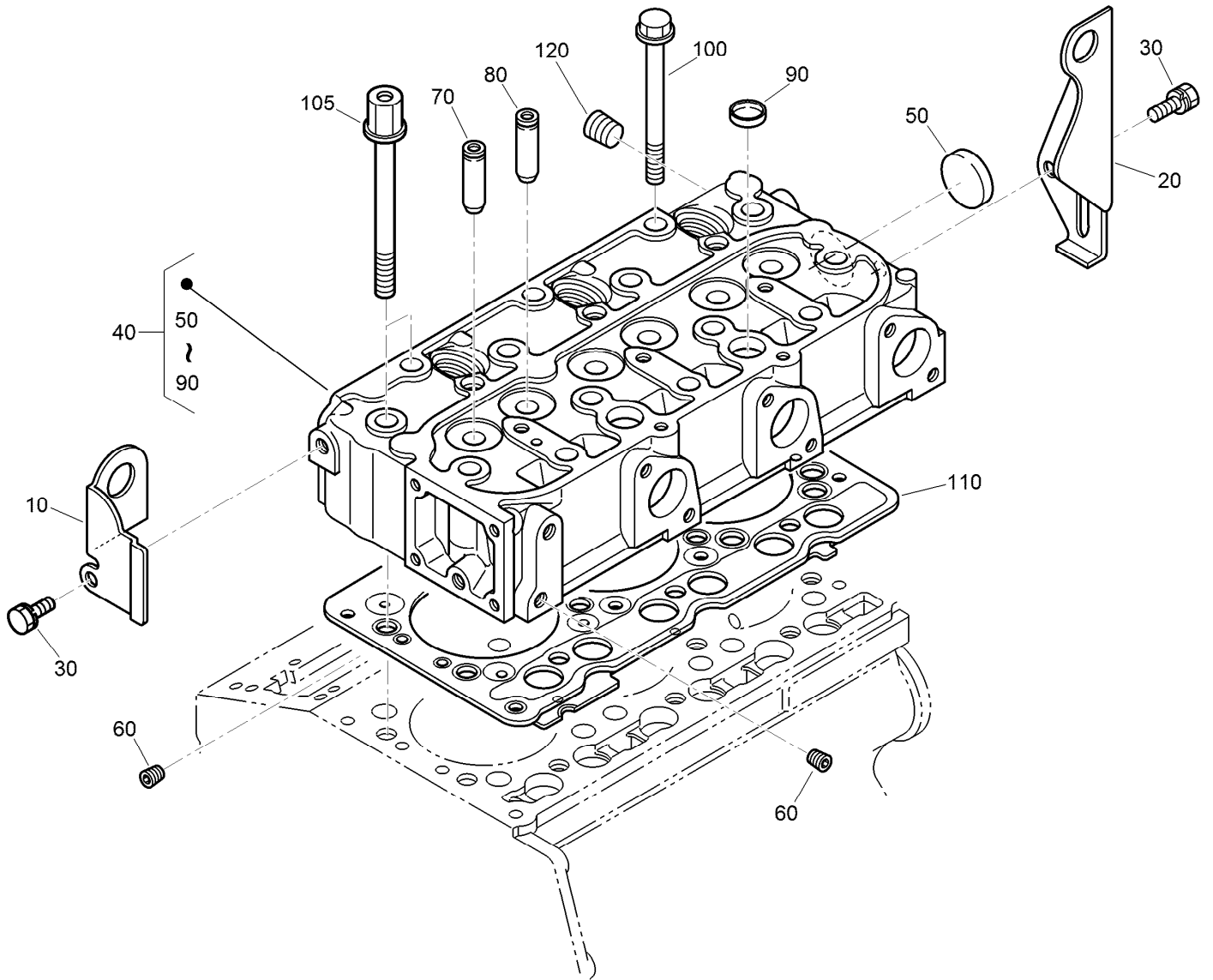
Crankcase Assembly

| <i>Ref.</i> | <i>Part Number</i> | <i>Qty.</i> | <i>Description</i> | <i>Ref.</i> | <i>Part Number</i> | <i>Qty.</i> | <i>Description</i> |
|-------------|--------------------|-------------|--------------------|-------------|--------------------|-------------|------------------------|
| 10 | 115-3443 | 1 | Crankcase ASM | 130 | 98-9387 | 2 | Pin-Pipe |
| 20 | 98-9398 | 4 | Cap-Sealing | 140 | 98-9539 | 1 | Pin-Pipe |
| 30 | 98-7539 | 1 | Cap-Sealing | 150 | 98-9599 | 1 | Plug |
| 40 | 98-9687 | 3 | Plug | 160 | 98-9630 | 1 | Pin-Spring, Start |
| 50 | 105-3779 | 1 | Plug | 170 | 98-9675 | 1 | Plug |
| 60 | 98-9597 | 3 | Plug | 180 | 98-9656 | 1 | Bushing-Governor, Gear |
| 70 | 98-7487 | 2 | Plug | 190 | 120-2559 | 1 | Plug |
| 80 | 98-9379 | 3 | Plug-Expansion | 200 | 98-7428 | 1 | Gasket |
| 90 | 98-9668 | 1 | Plug-Expansion | 210 | 99-3447 | 1 | Plug |
| 100 | 98-9375 | 2 | Pin-Straight | 220 | 106-7056 | 1 | Gasket |
| 110 | 98-9377 | 2 | Pin-Straight | 230 | 98-9416 | 1 | Switch-Oil |
| 120 | 98-9376 | 2 | Pin-Straight | | | | |



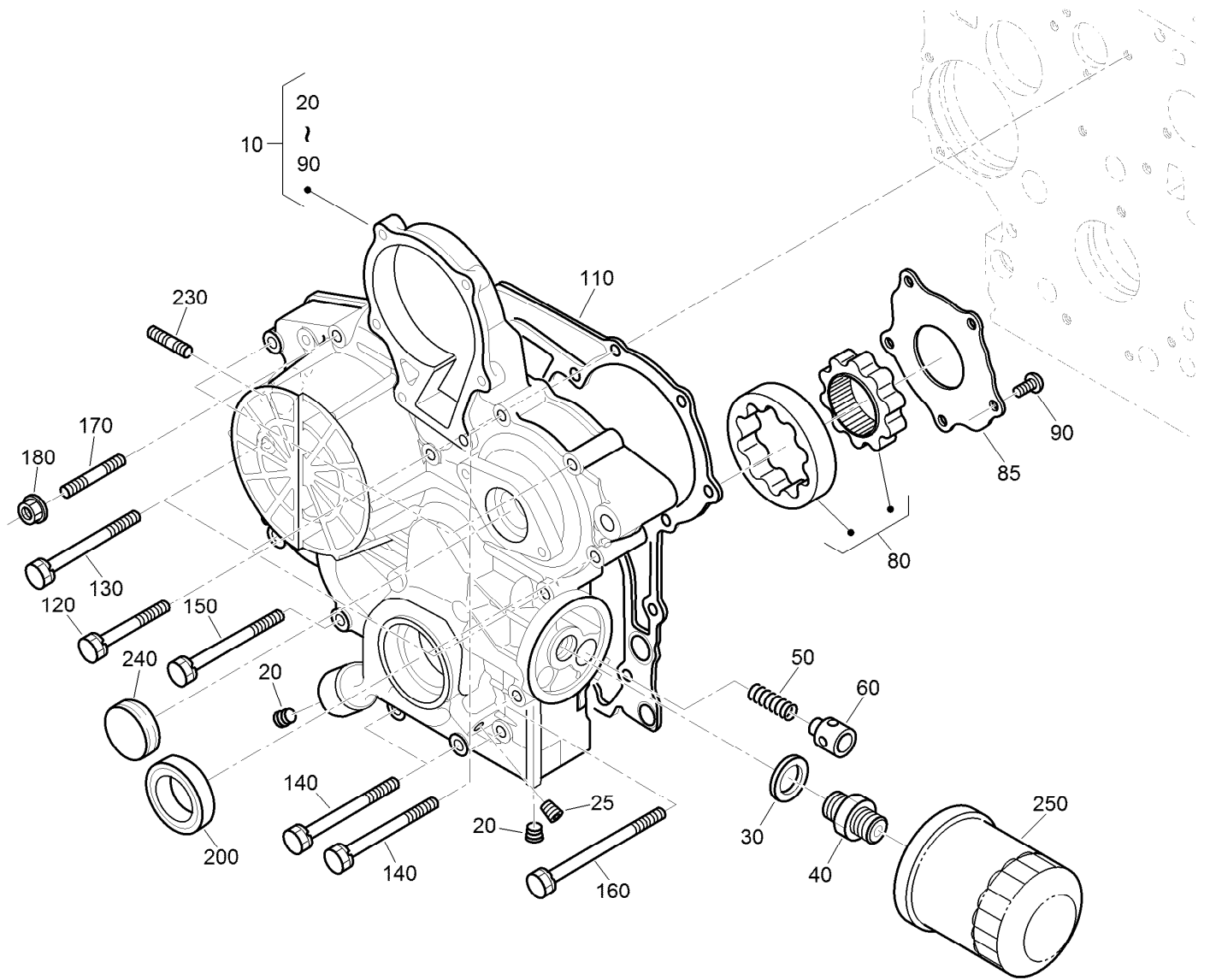
Oil Pan and Dipstick Assembly

| <i>Ref.</i> | <i>Part Number</i> | <i>Qty.</i> | <i>Description</i> |
|-------------|--------------------|-------------|--------------------|
| 10 | 98-9685 | 1 | Pan-Oil |
| 30 | 98-9351 | 20 | Bolt |
| 35 | 98-9351 | 2 | Bolt |
| 40 | 114-8151 | 2 | Plug-Drain |
| 50 | 98-7524 | 2 | Gasket |
| 60 | 108-1401 | 1 | Base-Filter |
| 70 | 98-7526 | 1 | Bolt |
| 80 | 105-3776 | 1 | O-Ring |
| 90 | 104-9348 | 1 | Gauge-Oil |
| 100 | 105-4580 | 1 | Guide-Gauge, Oil |
| 110 | 110-3720 | 1 | Plug-Gauge, Oil |



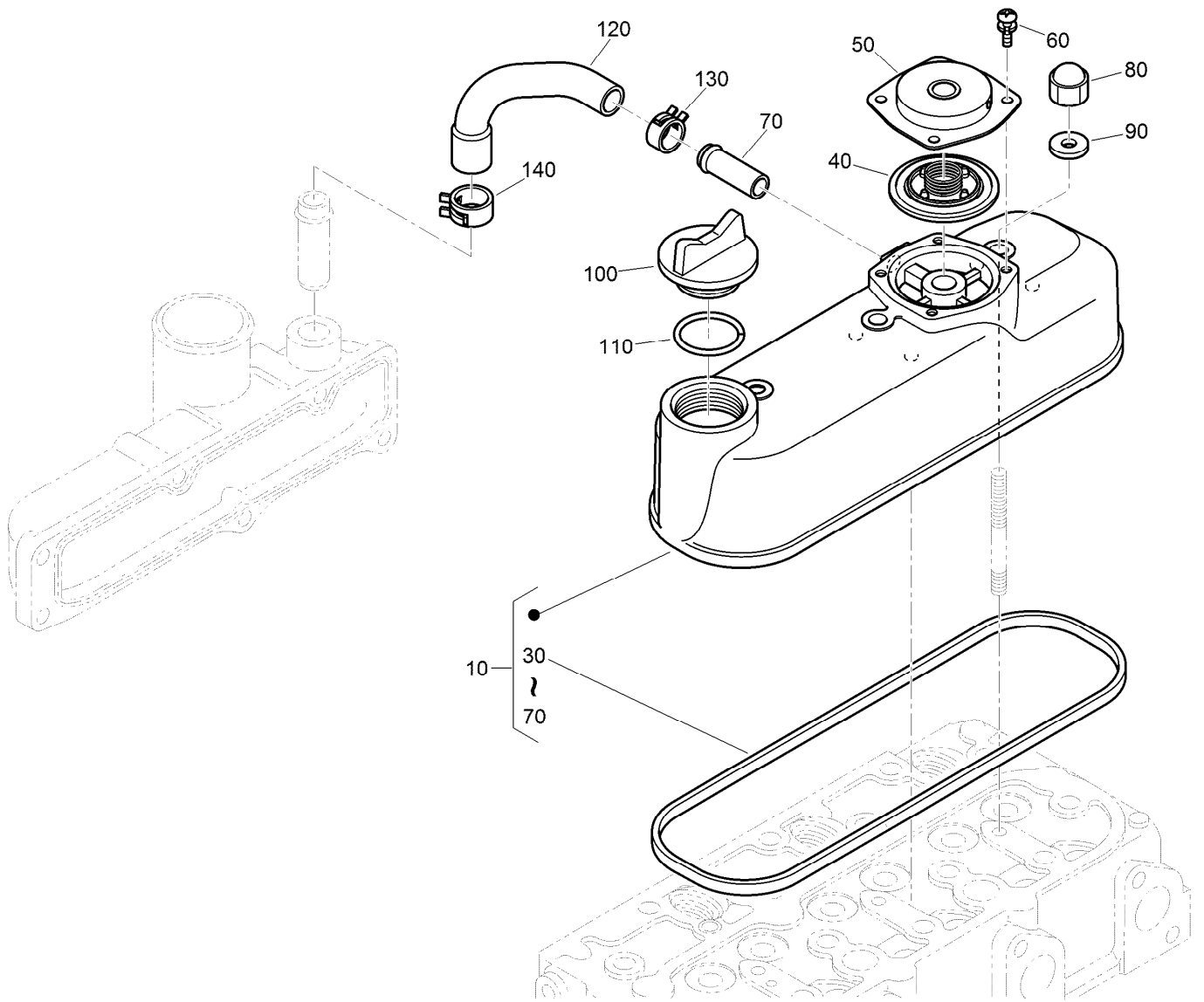
Cylinder Head Assembly

| Ref. | Part Number | Qty. | Description |
|------|-------------|------|-----------------------|
| 10 | 130-1231 | 1 | Hook-Engine |
| 20 | 98-9478 | 1 | Hook-Engine |
| 30 | 100-9195 | 2 | Bolt |
| 40 | 130-1544 | 1 | Cylinder Head ASM |
| 50 | 105-3705 | 1 | Cap-Sealing |
| 60 | 98-9687 | 2 | Plug |
| 70 | 107-9066 | 3 | Guide-Valve, Inlet |
| 80 | 107-9067 | 3 | Guide-Valve, Exhaust |
| 90 | 98-9389 | 2 | Cap-Sealing |
| 100 | 98-9479 | 12 | Bolt-Head, Cylinder |
| 105 | 98-9647 | 2 | Bolt-Head, Cylinder |
| 110 | 108-6573 | 1 | Gasket-Head, Cylinder |
| 120 | 98-9444 | 1 | Plug |



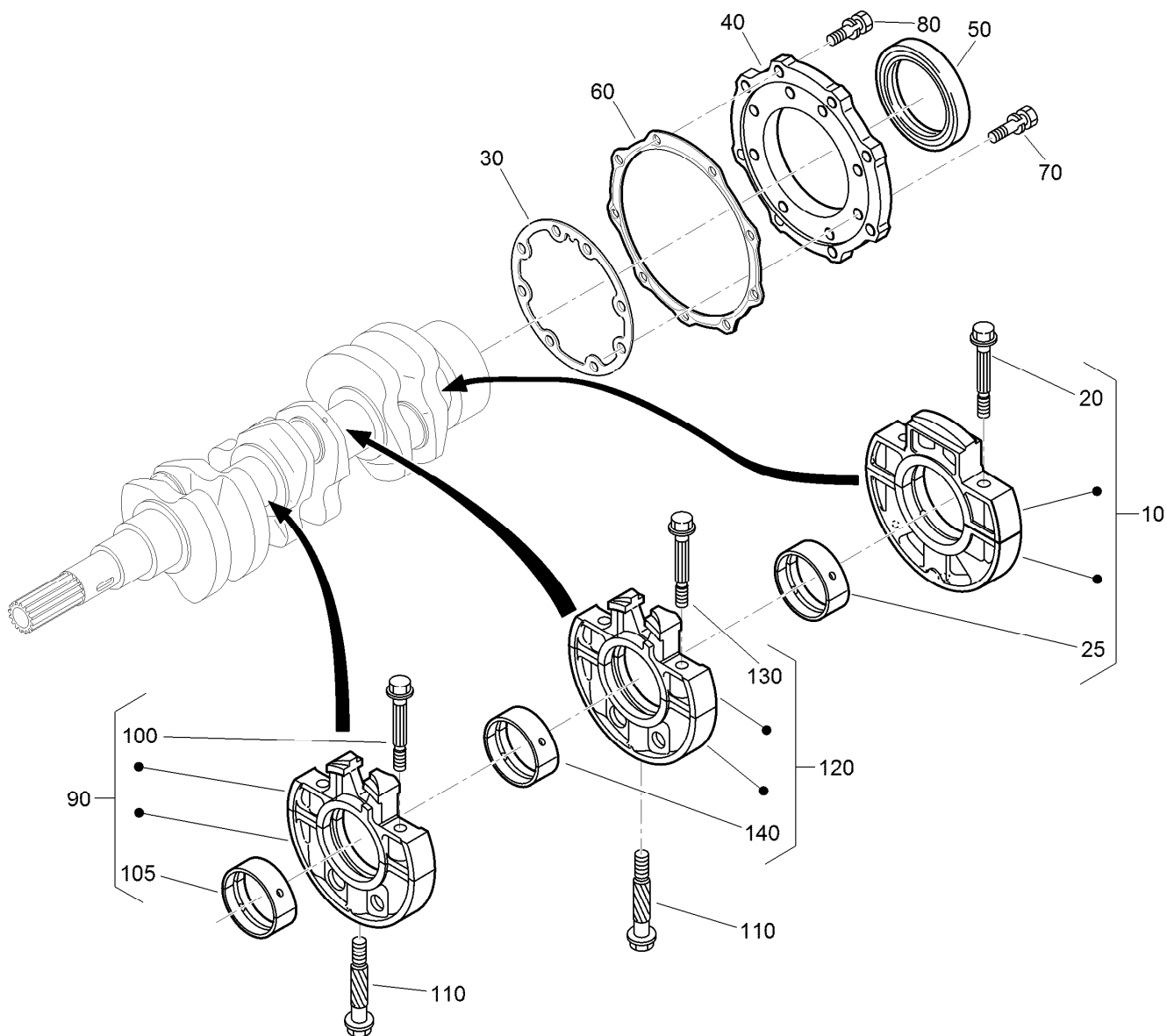
Gear Case and Oil Filter Cartridge Assembly

| Ref. | Part Number | Qty. | Description | Ref. | Part Number | Qty. | Description |
|------|-------------|------|-------------------|------|-------------|------|---------------|
| 10 | 115-4105 | 1 | Gear Case ASM | 120 | 100-1765 | 3 | Bolt |
| 20 | 127-0425 | 2 | Plug | 130 | 125-9063 | 4 | Bolt-Sems |
| 25 | 98-7487 | 1 | Plug | 140 | 98-9356 | 4 | Bolt |
| 30 | 98-7562 | 1 | Washer-Plain | 150 | 107-9074 | 1 | Bolt |
| 40 | 98-9388 | 1 | Joint-Pipe | 160 | 99-3510 | 1 | Bolt |
| 50 | 130-1511 | 1 | Spring | 170 | 105-3709 | 1 | Stud |
| 60 | 130-1510 | 1 | Valve-Relief | 180 | 100-2203 | 1 | Nut-Flange |
| 80 | 130-1508 | 1 | Rotor ASM | 200 | 119-8038 | 1 | Seal-Oil |
| 85 | 130-1509 | 1 | Cover-Pump, Oil | 230 | 105-3710 | 2 | Stud |
| 90 | 130-1164 | 5 | Screw-Binding | 240 | 99-3515 | 1 | Plug-Gearcase |
| 110 | 98-9633 | 1 | Gasket-Case, Gear | 250 | 108-3841 | 1 | Filter-Oil |



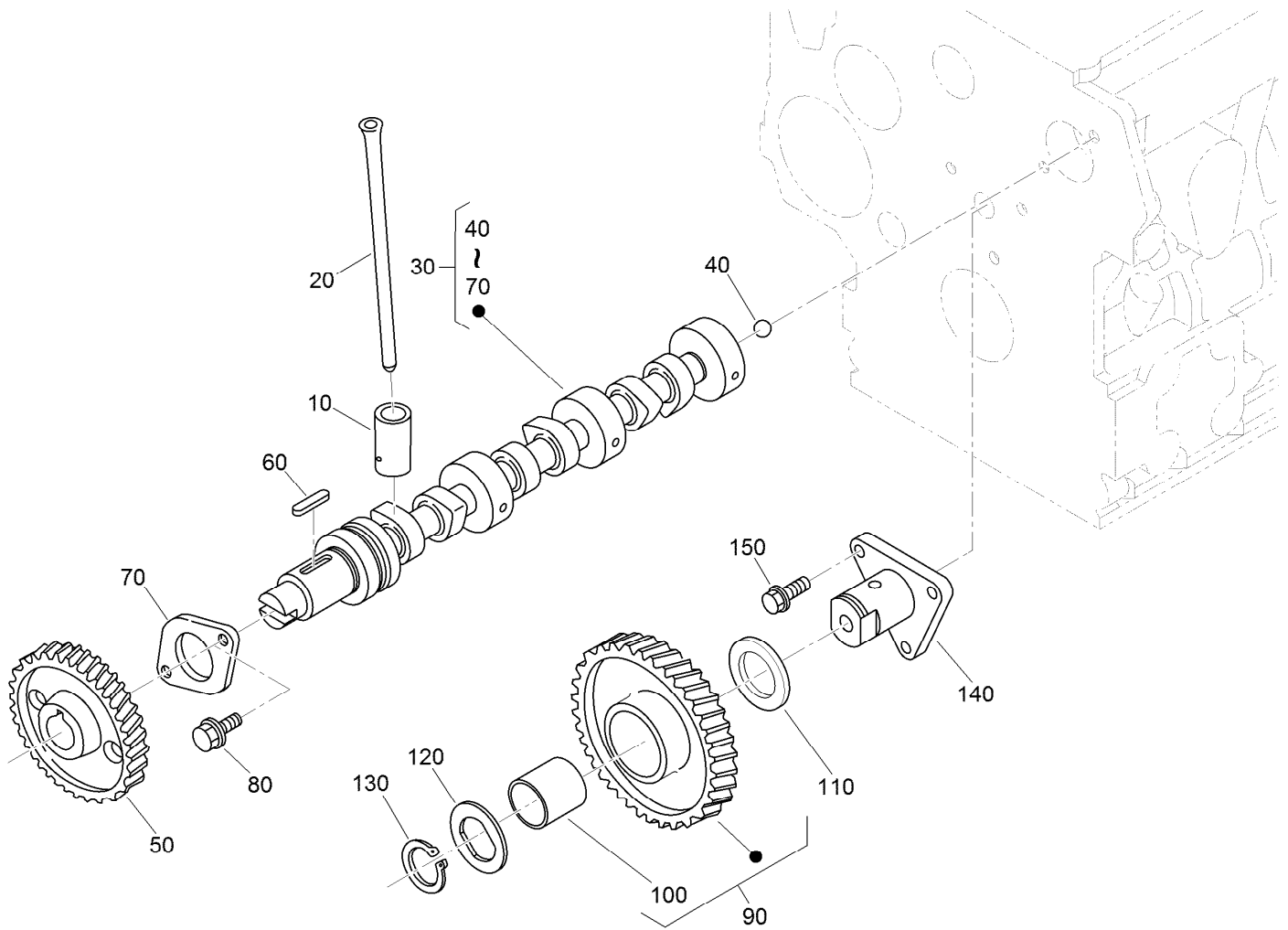
Cylinder Head Cover Assembly

| <i>Ref.</i> | <i>Part Number</i> | <i>Qty.</i> | <i>Description</i> |
|-------------|--------------------|-------------|-------------------------|
| 10 | 115-3446 | 1 | Cylinder Head Cover ASM |
| 30 | 98-9615 | 1 | Gasket-Cover, Head |
| 40 | 110-3715 | 1 | Valve-Breather |
| 50 | 110-3714 | 1 | Cover-Breather |
| 60 | 98-9364 | 4 | Screw (With Washer) |
| 70 | 98-7766 | 1 | Pipe-Return, Water |
| 80 | 98-9455 | 3 | Nut-Cap |
| 90 | 98-9454 | 3 | Gasket |
| 100 | 107-9075 | 1 | Plug-Filler, Oil |
| 110 | 99-3446 | 1 | O-Ring |
| 120 | 107-7836 | 1 | Tube-Breather |
| 130 | 108-2859 | 1 | Clamp-Hose |
| 140 | 108-2860 | 1 | Clamp-Hose |



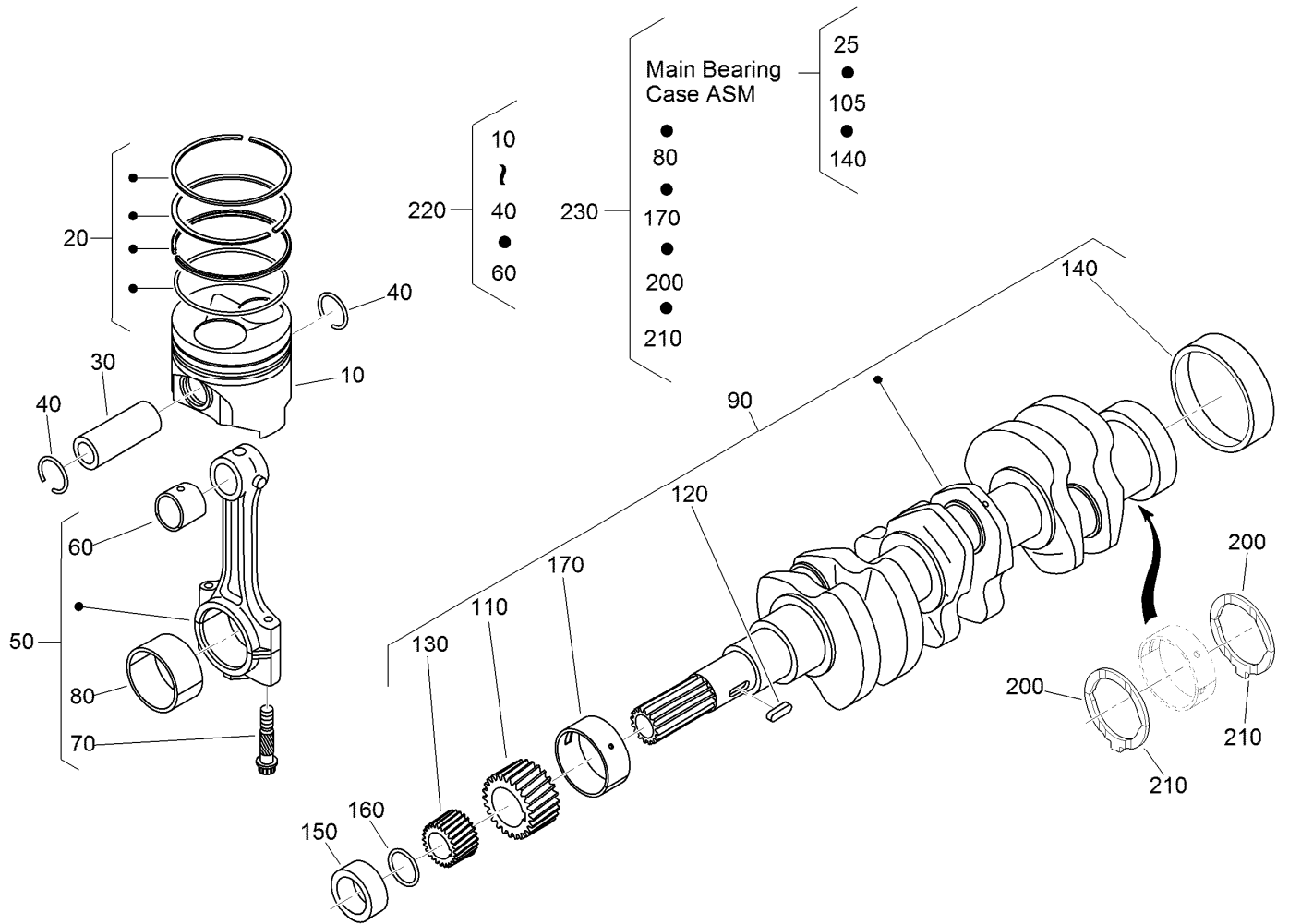
Main Bearing Case Assembly

| Ref. | Part Number | Qty. | Description | Ref. | Part Number | Qty. | Description |
|------|-------------|------|---------------------------|------|-------------|------|----------------------------|
| 10 | 112-7026 | 1 | Wheel Bearing Case ASM | 90 | 115-4106 | 1 | Main Bearing Case ASM |
| 20 | 98-9484 | 2 | Bolt-Case, Bearing | 100 | 98-9484 | 2 | Bolt-Case, Bearing |
| 25 | 115-4121 | 1 | Metal-Crankshaft (STD) | 105 | 98-9524 | 1 | Metal-Crankshaft (STD Set) |
| 25 | 112-7039 | 1 | Metal-Crankshaft (0.2Mm) | 105 | 127-0433 | 1 | Metal-Crankshaft (-0.2MM) |
| 25 | 112-7040 | 1 | Metal-Crankshaft (-0.4Mm) | 105 | 98-9531 | 1 | Bearing-Main (0.4MM) |
| 30 | 131-6554 | 1 | Gasket-Case, Bearing | 110 | 98-9485 | 2 | Bolt-Case, Bearing |
| 40 | 112-7046 | 1 | Cover-Case, Bearing | 120 | 115-4107 | 1 | Main Bearing Case ASM |
| 50 | 112-0180 | 1 | Seal-Oil | 130 | 98-9484 | 2 | Bolt-Case, Bearing |
| 60 | 112-7037 | 1 | Gasket-Cover, Case | 140 | 98-9524 | 1 | Metal-Crankshaft (STD Set) |
| 70 | 127-0441 | 8 | Bolt | 140 | 127-0433 | 1 | Metal-Crankshaft (-0.2MM) |
| 80 | 127-0442 | 9 | Bolt | 140 | 98-9531 | 1 | Bearing-Main (0.4MM) |



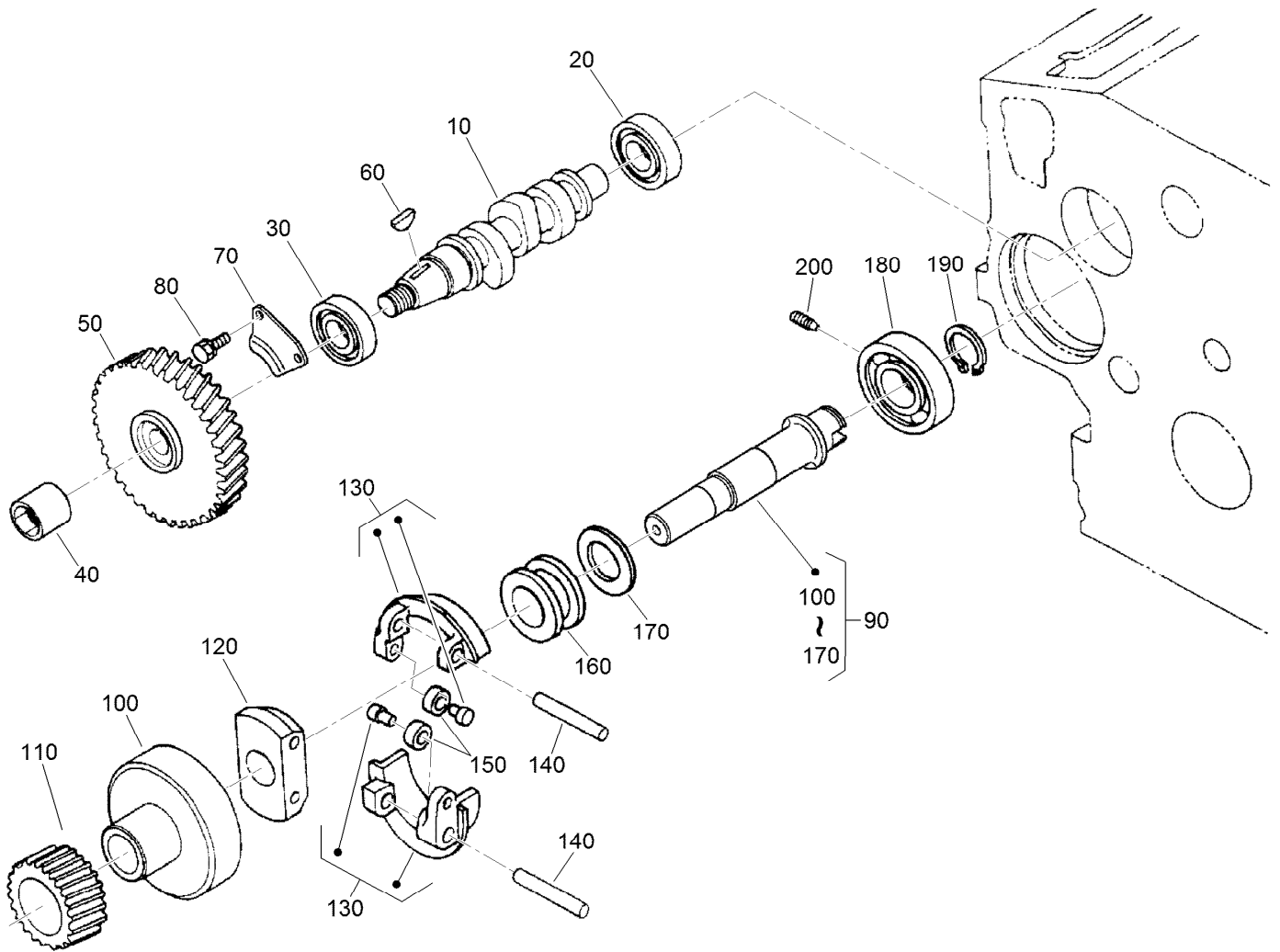
Camshaft and Idle Gear Shaft Assembly

| Ref. | Part Number | Qty. | Description |
|------|-------------|------|--------------------|
| 10 | 112-0185 | 6 | Tappet |
| 20 | 127-0421 | 6 | Rod-Push |
| 30 | 130-1545 | 1 | Camshaft ASM |
| 40 | 110-3729 | 1 | Ball |
| 50 | 98-9512 | 1 | Gear-Cam |
| 60 | 98-9378 | 1 | Key-Feather |
| 70 | 98-9510 | 1 | Stopper-Camshaft |
| 80 | 98-7692 | 2 | Bolt |
| 90 | 117-7584 | 1 | Idler Gear ASM |
| 100 | 117-7585 | 1 | Bushing-Gear, Idle |
| 110 | 98-9535 | 1 | Collar-Gear, Idle |
| 120 | 98-9536 | 1 | Collar-Gear, Idle |
| 130 | 98-9534 | 1 | Circlip-Gear, Idle |
| 140 | 98-9533 | 1 | Shaft-Gear, Idle |
| 150 | 98-7692 | 3 | Bolt |



Piston and Crankshaft Assembly

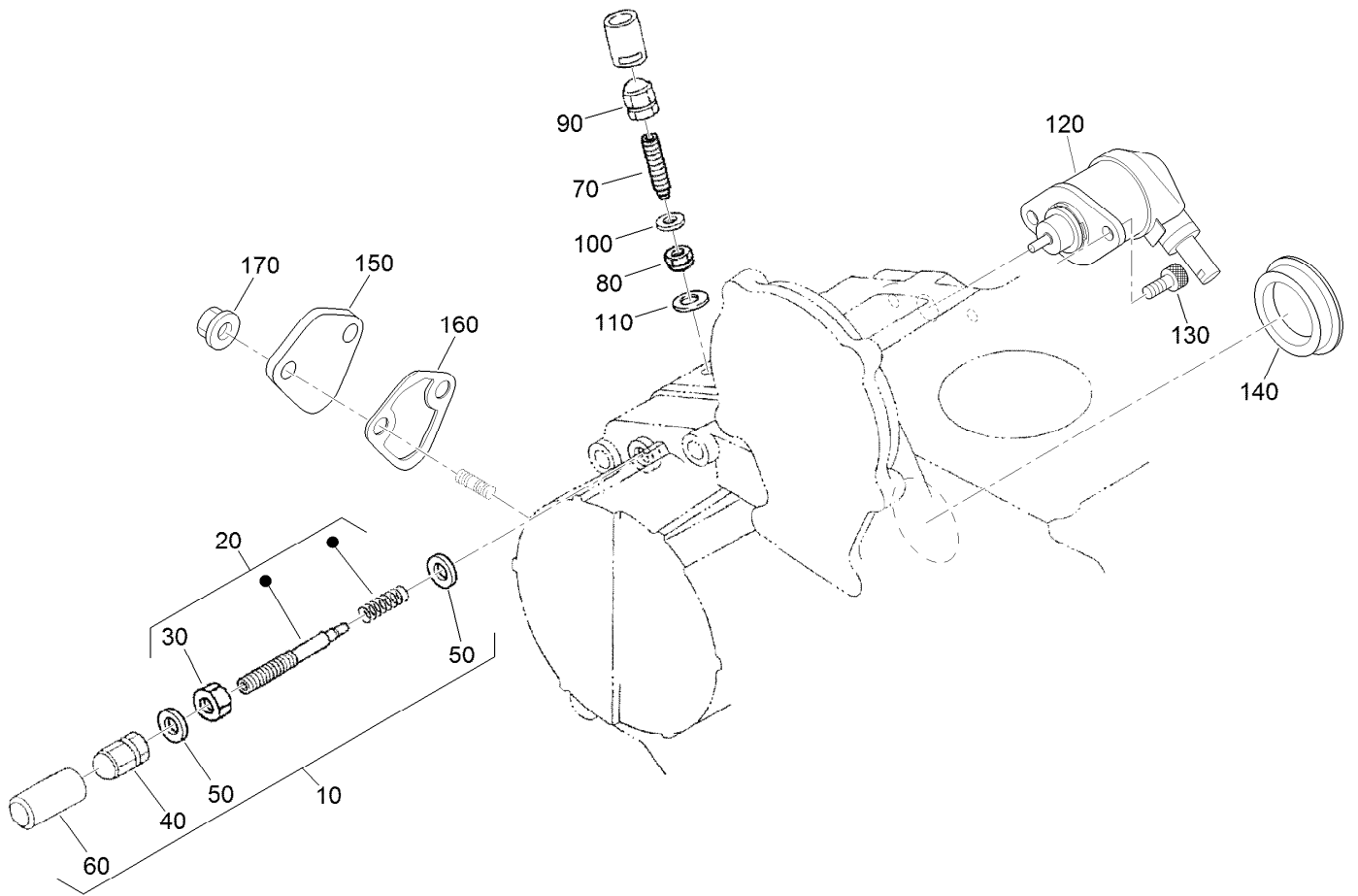
| Ref. | Part Number | Qty. | Description | Ref. | Part Number | Qty. | Description |
|------|-------------|------|---------------------------|------|-------------|------|------------------------------------|
| 10 | 130-1546 | 3 | Piston (STD) | 160 | 105-3783 | 1 | O-Ring |
| 10 | 130-1549 | 3 | Piston (+0.50MM) | 170 | 112-7005 | 1 | Bearing-Main (STD) |
| 20 | 130-1506 | 3 | Piston Ring ASM (STD) | 170 | 98-9528 | 1 | Bearing-Main (-0.2MM) |
| 20 | 130-1507 | 3 | Piston Ring ASM (+0.50MM) | 170 | 127-0432 | 1 | Metal-Crankshaft (-0.4MM) |
| 30 | 98-9513 | 3 | Pin-Piston | 200 | 98-9413 | 2 | Bearing-Thrust (STD) |
| 40 | 98-9514 | 6 | Circlip-Pin, Piston | 200 | 127-0416 | 2 | Metal-Side (+0.2Mm) |
| 50 | 117-7586 | 3 | Connecting Rod ASM | 200 | 127-0417 | 2 | Metal-Side (+0.40Mm) |
| 60 | 115-3014 | 3 | Bushing-Pin, Piston | 210 | 98-9688 | 2 | Bearing-Thrust (STD) |
| 70 | 98-9517 | 6 | Bolt-Rod, Connecting | 210 | 127-0437 | 2 | Metal-Side (+0.2MM) |
| 80 | 98-9553 | 3 | Bearing-Rod (STD) | 210 | 127-0438 | 2 | Metal-Side (+0.40MM) |
| 80 | 98-9519 | 3 | Bearing-Rod (-0.2MM) | 220 | 130-1547 | 3 | Piston Kit |
| 80 | 117-7588 | 3 | Metal-Crankpin (-0.4MM) | 220 | 130-1548 | 3 | Piston Kit |
| 90 | 130-1375 | 1 | Crankshaft ASM | 230 | 130-1501 | 1 | Engine Metal Kit (STD) |
| 110 | 117-7561 | 1 | Gear-Crankshaft | 230 | 130-1498 | 1 | Engine Metal Kit (-0.20Mm/+0.20Mm) |
| 120 | 98-9666 | 1 | Key | 230 | 130-1499 | 1 | Engine Metal Kit (-0.40Mm/+0.40Mm) |
| 130 | 127-0445 | 1 | Gear-Drive, Oil Pump | | | | |
| 140 | 98-9522 | 1 | Sleeve-Crankshaft | | | | |
| 150 | 127-0444 | 1 | Collar-Crankshaft | | | | |



Fuel Camshaft and Governor Shaft Assembly

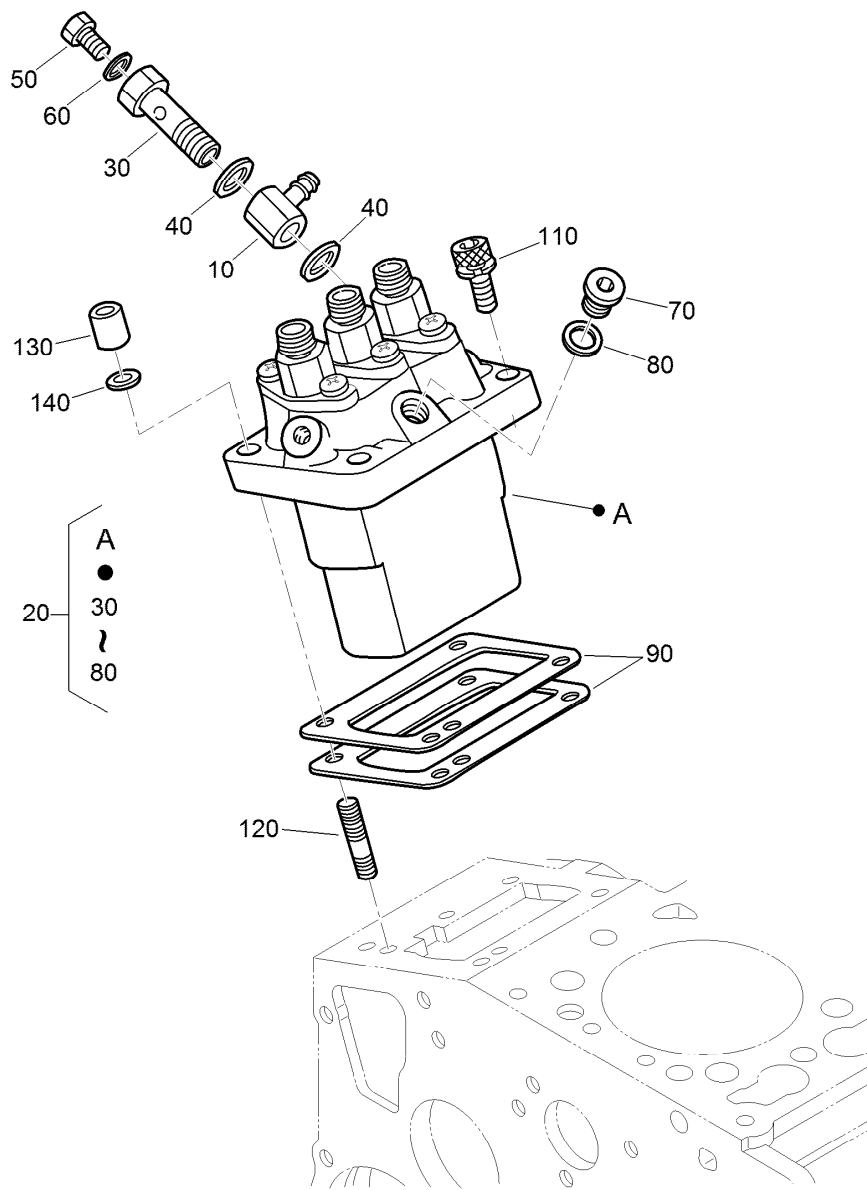
| Ref. | Part Number | Qty. | Description |
|------|-------------|------|------------------------|
| 10 | 98-9459 | 1 | Camshaft-Fuel |
| 20 | 107-9077 | 1 | Bearing-Ball |
| 30 | 107-9078 | 1 | Bearing-Ball |
| 40 | 130-1512 | 1 | Nut |
| 50 | 120-2562 | 1 | Gear-Pump, Injection |
| 60 | 98-9595 | 1 | Key-Woodruff |
| 70 | 98-9511 | 1 | Stopper-Fuel, Camshaft |
| 80 | 98-7692 | 2 | Bolt |
| 90 | 98-9644 | 1 | Governor Shaft ASM |
| 100 | 98-9562 | 1 | Holder-Gear, Governor |

| Ref. | Part Number | Qty. | Description |
|------|-------------|------|-------------------------|
| 110 | 98-9673 | 1 | Gear-Governor |
| 120 | 98-9561 | 1 | Holder-Weight, Governor |
| 130 | 130-1240 | 2 | Governor Weight ASM |
| 140 | 98-9560 | 2 | Shaft-Weight, Governor |
| 150 | 98-9692 | 2 | Roller |
| 160 | 98-9563 | 1 | Sleeve-Governor |
| 170 | 98-9564 | 1 | Washer-Thrust |
| 180 | 107-9079 | 1 | Bearing-Ball |
| 190 | 98-9657 | 1 | Circlip-Shaft, Governor |
| 200 | 98-9565 | 1 | Screw-Set |



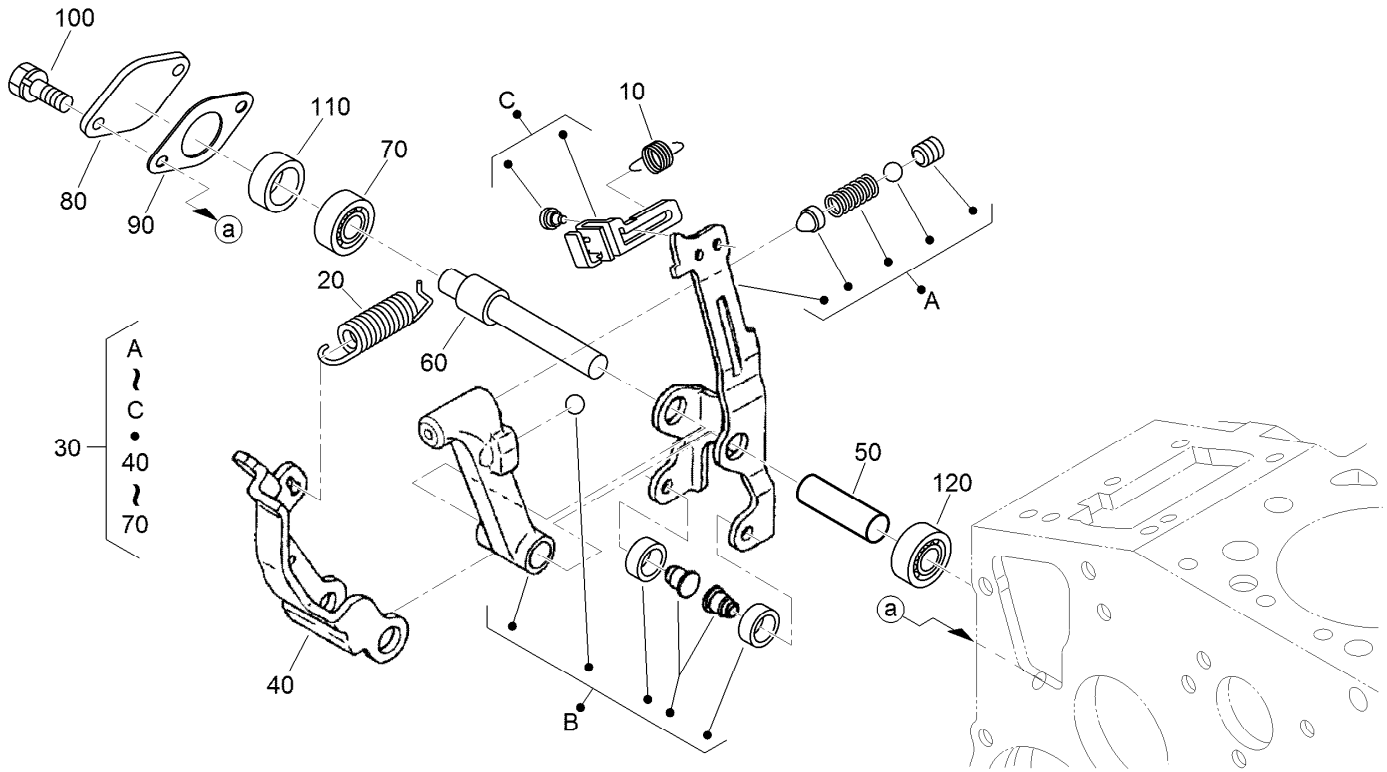
Idle Apparatus and Stop Solenoid Assembly

| <i>Ref.</i> | <i>Part Number</i> | <i>Qty.</i> | <i>Description</i> | <i>Ref.</i> | <i>Part Number</i> | <i>Qty.</i> | <i>Description</i> |
|-------------|--------------------|-------------|--------------------|-------------|--------------------|-------------|--------------------|
| 10 | 98-9678 | 1 | Idle Apparatus ASM | 100 | 98-7654 | 1 | Gasket |
| 20 | 112-7014 | 1 | Adjusting Bolt ASM | 110 | 107-9081 | 1 | Gasket |
| 30 | 98-9439 | 1 | Nut | 120 | 104-5155 | 1 | Solenoid-Stop |
| 40 | 112-0181 | 1 | Nut | 130 | 130-1155 | 2 | Screw-HSH |
| 50 | 98-7654 | 2 | Gasket | 140 | 112-7016 | 1 | Cover-Pump |
| 60 | 98-7656 | 1 | Cap | 150 | 99-3514 | 1 | Cover |
| 70 | 112-7015 | 1 | Bolt-Adjusting | 160 | 117-7562 | 1 | Gasket-Pump, Fuel |
| 80 | 100-2175 | 1 | Nut-Lock | 170 | 100-2203 | 2 | Nut-Flange |
| 90 | 112-0181 | 1 | Nut | | | | |



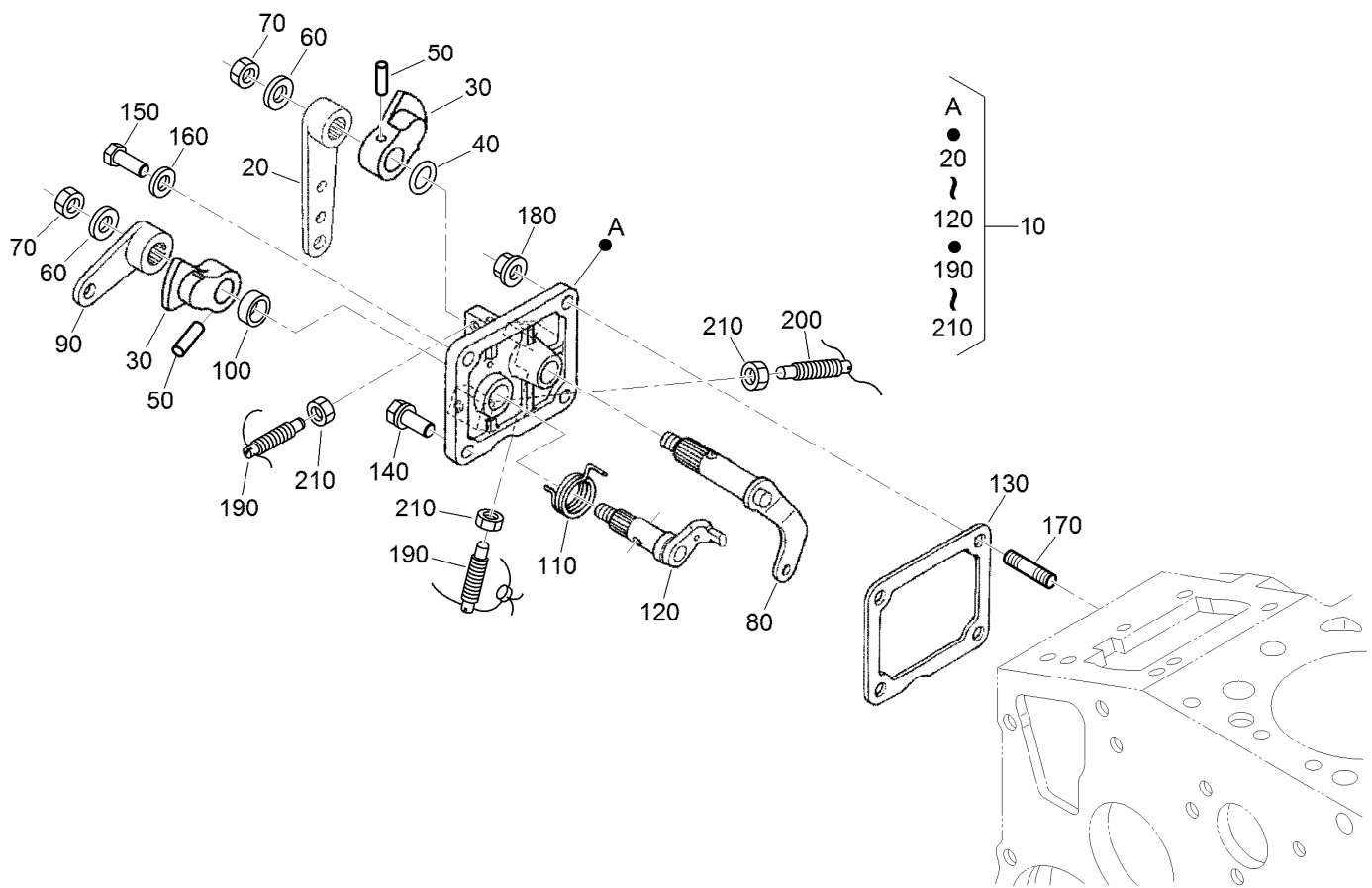
Injection Pump Assembly

| <i>Ref.</i> | <i>Part Number</i> | <i>Qty.</i> | <i>Description</i> | <i>Ref.</i> | <i>Part Number</i> | <i>Qty.</i> | <i>Description</i> |
|-------------|--------------------|-------------|-------------------------|-------------|--------------------|-------------|--------------------------|
| 10 | 98-9596 | 1 | Joint-Eye | 90 | 98-9457 | 1 | Shim-Injection (0.25MM) |
| 20 | 98-9643 | 1 | Injection Pump ASM | 90 | 98-9458 | 1 | Shim-Injection (0.30MM) |
| 30 | 98-9464 | 1 | Bolt-Joint | 90 | 115-3046 | 1 | Shim-Injection (0.35MM) |
| 40 | 98-9445 | 2 | Gasket | 90 | 115-3045 | 1 | Shim-Injection (0.175MM) |
| 50 | 98-9430 | 1 | Screw | 110 | 117-7564 | 2 | Bolt-Hex Soc HD |
| 60 | 98-9446 | 1 | Gasket | 120 | 98-9438 | 2 | Stud |
| 70 | 98-9466 | 1 | Plug | 130 | 98-9440 | 2 | Nut-Cap |
| 80 | 98-9451 | 1 | Gasket | 140 | 98-7699 | 2 | Washer-Spring |
| 90 | 98-9456 | 1 | Shim-Injection (0.20MM) | | | | |



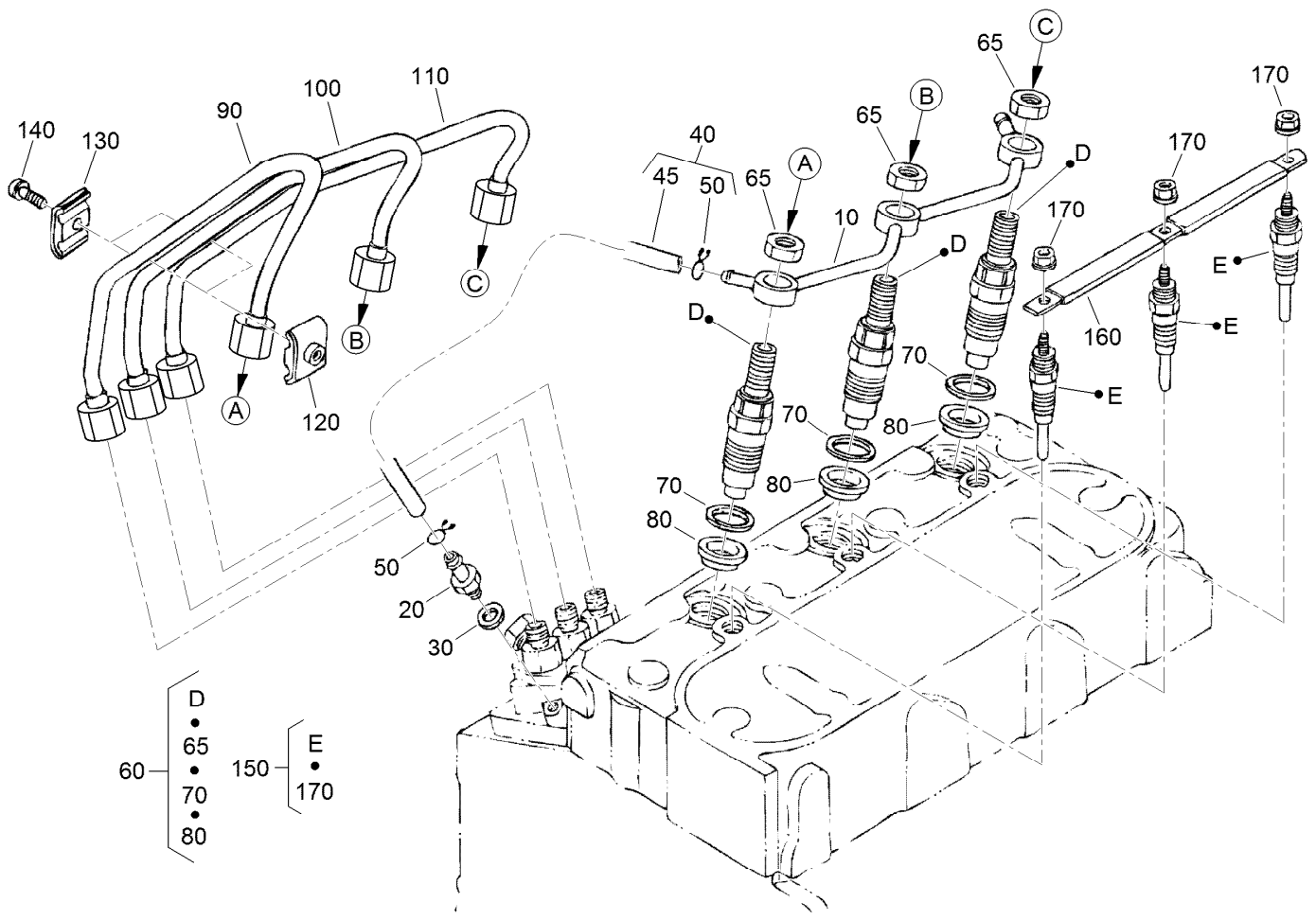
Governor Assembly

| <i>Ref.</i> | <i>Part Number</i> | <i>Qty.</i> | <i>Description</i> |
|-------------|--------------------|-------------|-------------------------|
| 10 | 105-3786 | 1 | Spring-Start |
| 20 | 98-9681 | 1 | Spring-Governor |
| 30 | 115-4502 | 1 | Fork Lever ASM |
| 40 | 107-9084 | 1 | Lever-Fork |
| 50 | 107-9085 | 1 | Shaft-Lever, Fork |
| 60 | 107-9086 | 1 | Shaft-Lever, Fork |
| 70 | 98-9570 | 1 | Bearing-Miniaturize |
| 80 | 115-4122 | 1 | Cover-Shaft, Fork Lever |
| 90 | 98-9682 | 1 | Gasket |
| 100 | 98-9350 | 2 | Bolt |
| 110 | 98-9567 | 1 | Collar |
| 120 | 98-9571 | 1 | Bearing-Miniaturize |



Speed Control Plate Assembly

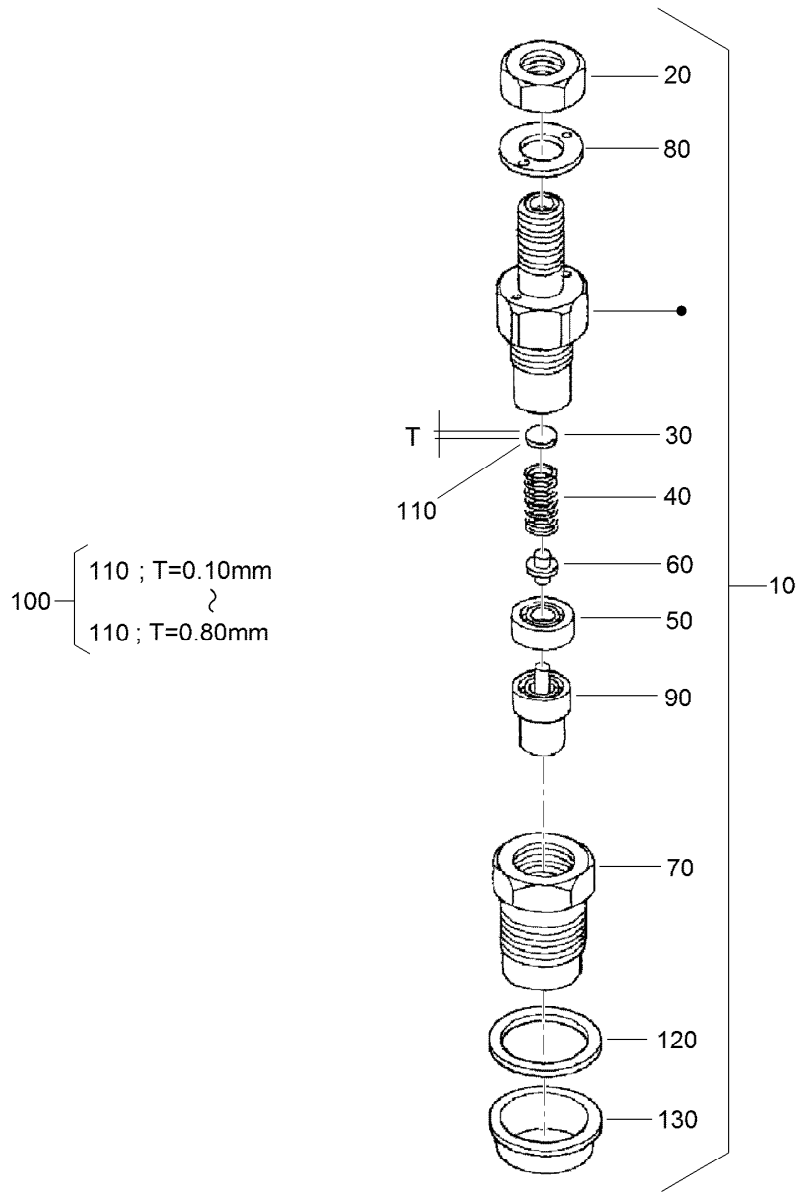
| Ref. | Part Number | Qty. | Description | Ref. | Part Number | Qty. | Description |
|------|-------------|------|----------------------|------|-------------|------|-------------------|
| 10 | 105-3735 | 1 | Control Plate ASM | 120 | 98-9664 | 1 | Shaft-Lever, Stop |
| 20 | 98-9662 | 1 | Lever-Control, Speed | 130 | 98-9637 | 1 | Gasket |
| 30 | 98-9572 | 2 | Lever-Control, Speed | 140 | 98-7692 | 1 | Bolt |
| 40 | 105-3788 | 1 | O-Ring | 150 | 127-0401 | 1 | Bolt-Hex |
| 50 | 98-7602 | 2 | Pin-Spring | 160 | 98-7654 | 1 | Gasket |
| 60 | 98-9594 | 2 | Washer-Plain | 170 | 105-3710 | 2 | Stud |
| 70 | 98-9589 | 2 | Nut | 180 | 100-2203 | 2 | Nut-Flange |
| 80 | 98-9658 | 1 | Governor Lever ASM | 190 | 117-7565 | 2 | Bolt-Adjusting |
| 90 | 98-9663 | 1 | Lever-Stop, Engine | 200 | 117-7566 | 1 | Bolt-Adjusting |
| 100 | 98-7601 | 1 | Seal-Oil | 210 | 98-7572 | 3 | Nut |
| 110 | 98-9472 | 1 | Spring-Return | | | | |



Nozzle Holder and Glow Plug Assembly

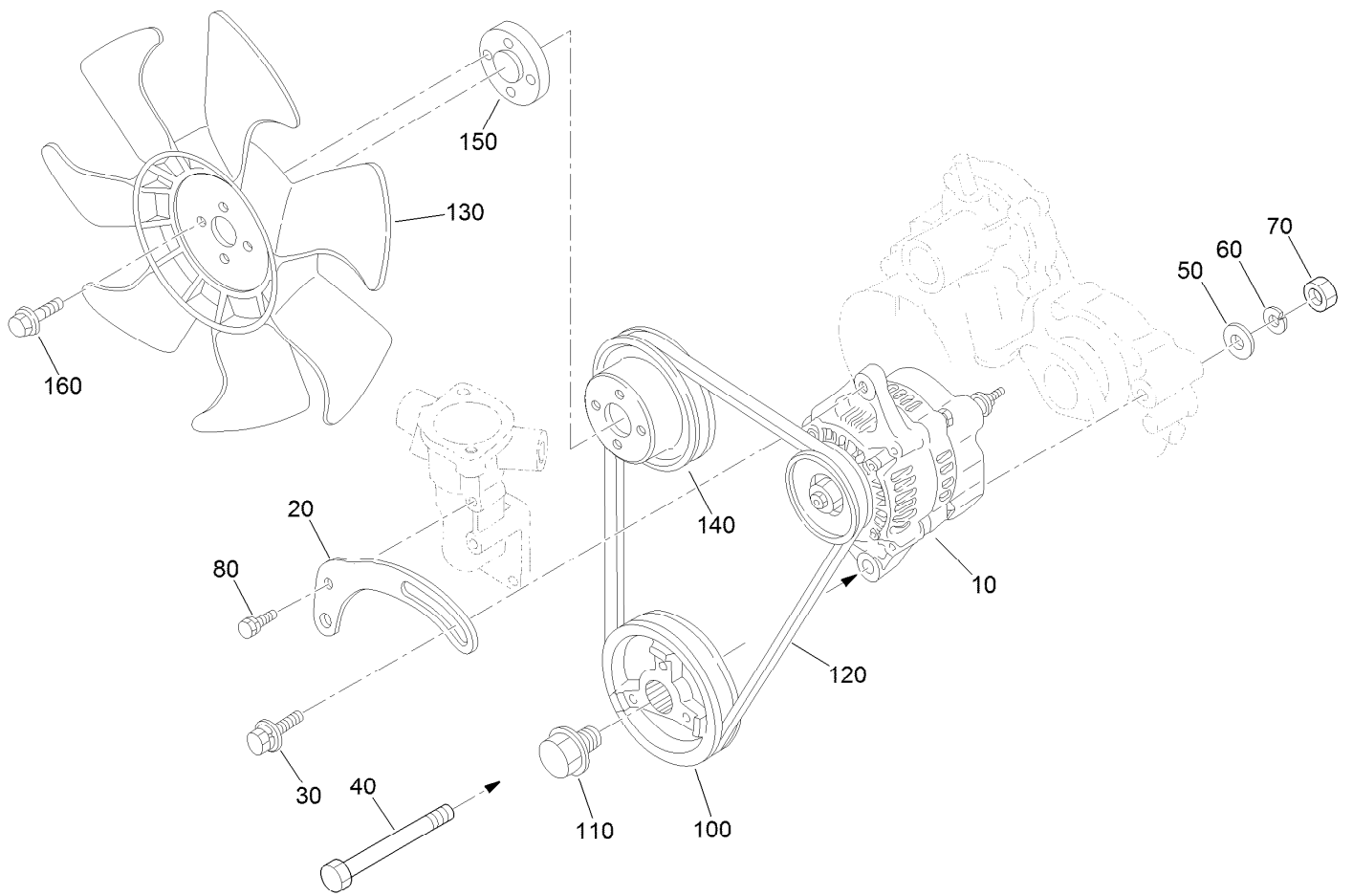
| <i>Ref.</i> | <i>Part Number</i> | <i>Qty.</i> | <i>Description</i> |
|-------------|--------------------|-------------|--------------------|
| 10 | 98-9620 | 1 | Overflow Pipe ASM |
| 20 | 98-9431 | 1 | Screw-Bleeder, Air |
| 30 | 98-7654 | 1 | Gasket |
| 40 | 98-9420 | 1 | Overflow Pipe ASM |
| 45 | 112-0182 | 1 | Pipe-Overflow |
| 50 | 98-7671 | 2 | Clip-Pipe |
| 60 | 115-3018 | 3 | Nozzle Holder Kit |
| 65 | 121-2411 | 3 | Nut |
| 70 | 98-7676 | 3 | Gasket |
| 80 | 98-7677 | 3 | Seal-Heat |

| <i>Ref.</i> | <i>Part Number</i> | <i>Qty.</i> | <i>Description</i> |
|-------------|--------------------|-------------|--------------------|
| 90 | 98-9622 | 1 | Pipe-Injection |
| 100 | 98-9654 | 1 | Pipe-Injection |
| 110 | 98-9655 | 1 | Pipe-Injection |
| 120 | 98-7682 | 2 | Clamp-Pipe |
| 130 | 98-7683 | 2 | Clamp-Pipe |
| 140 | 98-7684 | 2 | Screw (W/Washer) |
| 150 | 130-1411 | 3 | Plug-Glow |
| 160 | 98-9631 | 1 | Cord-Plug, Glow |
| 170 | 99-8377 | 3 | Nut-Flange |



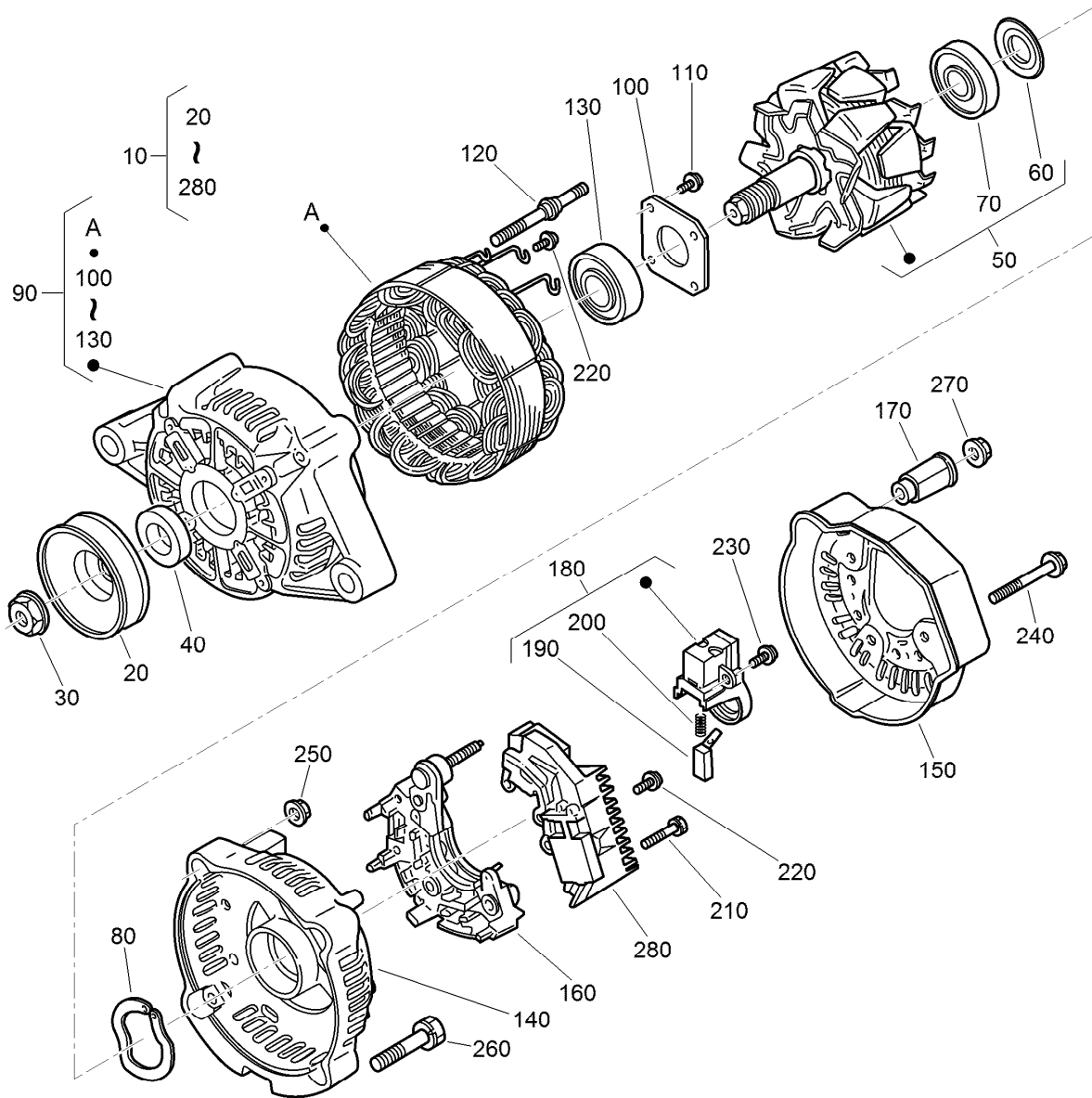
Nozzle Holder Assembly

| Ref. | Part Number | Qty. | Description | Ref. | Part Number | Qty. | Description |
|------|-------------|------|------------------------|------|-------------|------|------------------------|
| 10 | 115-3018 | 3 | Nozzle Holder Kit | 110 | 99-8311 | 3 | Washer-Adjust (0.20MM) |
| 20 | 121-2411 | 3 | Nut | 110 | 99-8312 | 3 | Washer-Adjust (0.30MM) |
| 30 | 99-8302 | 3 | Washer-Adjusting | 110 | 99-8313 | 3 | Washer-Adjust (0.40MM) |
| 40 | 99-8303 | 3 | Spring-Nozzle | 110 | 99-8314 | 3 | Washer-Adjust (0.50MM) |
| 50 | 99-8304 | 3 | Spacer-Distance | 110 | 99-8315 | 3 | Washer-Adjust (0.52MM) |
| 60 | 99-8305 | 3 | Rod-Push | 110 | 99-8316 | 3 | Washer-Adjust (0.54MM) |
| 70 | 99-8306 | 3 | Nut-Nozzle | 110 | 99-8317 | 3 | Washer-Adjust (0.56MM) |
| 80 | 99-8307 | 3 | Washer-Plain | 110 | 99-8318 | 3 | Washer-Adjust (0.58MM) |
| 90 | 115-3020 | 3 | Piece-Nozzle | 110 | 99-8319 | 3 | Washer-Adjust (0.80MM) |
| 100 | 99-8309 | 3 | Adjusting Washer ASM | 120 | 98-7676 | 3 | Gasket |
| 110 | 99-8310 | 3 | Washer-Adjust (0.10MM) | 130 | 98-7677 | 3 | Seal-Heat |



Alternator, Pulley and Fan Assembly

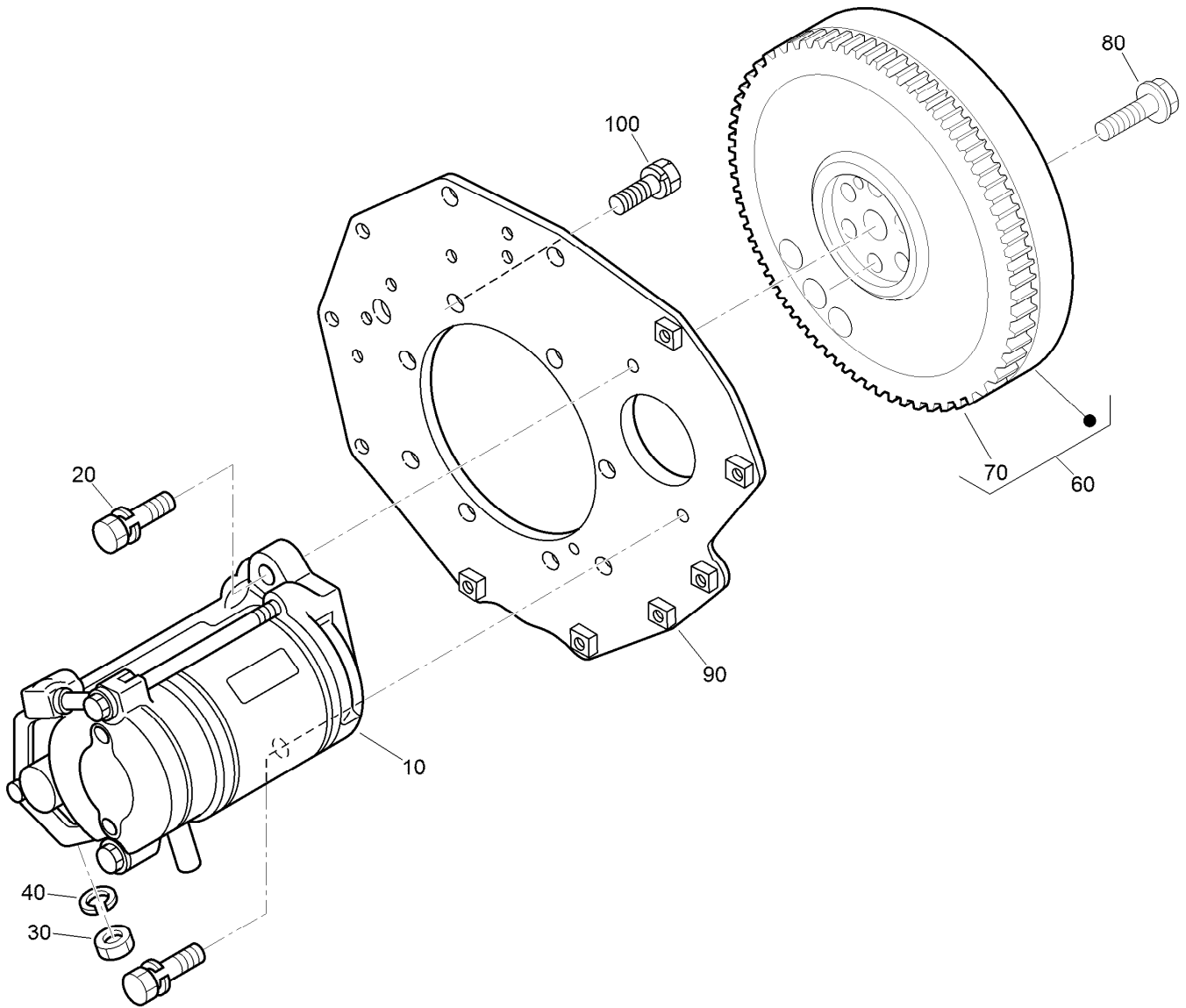
| Ref. | Part Number | Qty. | Description |
|------|-------------|------|-------------------|
| 10 | 131-6557 | 1 | Alternator ASM |
| 20 | 112-7047 | 1 | Stay-Dynamo |
| 30 | 108-7088 | 1 | Bolt |
| 40 | 98-9360 | 1 | Bolt |
| 50 | 98-9366 | 1 | Washer-Plain |
| 60 | 98-7738 | 1 | Washer-Spring |
| 70 | 98-7737 | 1 | Nut |
| 80 | 98-7692 | 1 | Bolt |
| 100 | 98-9473 | 1 | Pulley-Drive, Fan |
| 110 | 98-9585 | 1 | Bolt |
| 120 | 104-3494 | 1 | Belt-V |
| 130 | 104-4246 | 1 | Fan-Engine |
| 140 | 130-1567 | 1 | Pulley-Fan |
| 150 | 108-2872 | 1 | Collar-Fan |
| 160 | 108-2873 | 4 | Bolt-Flange |



Alternator Components Assembly

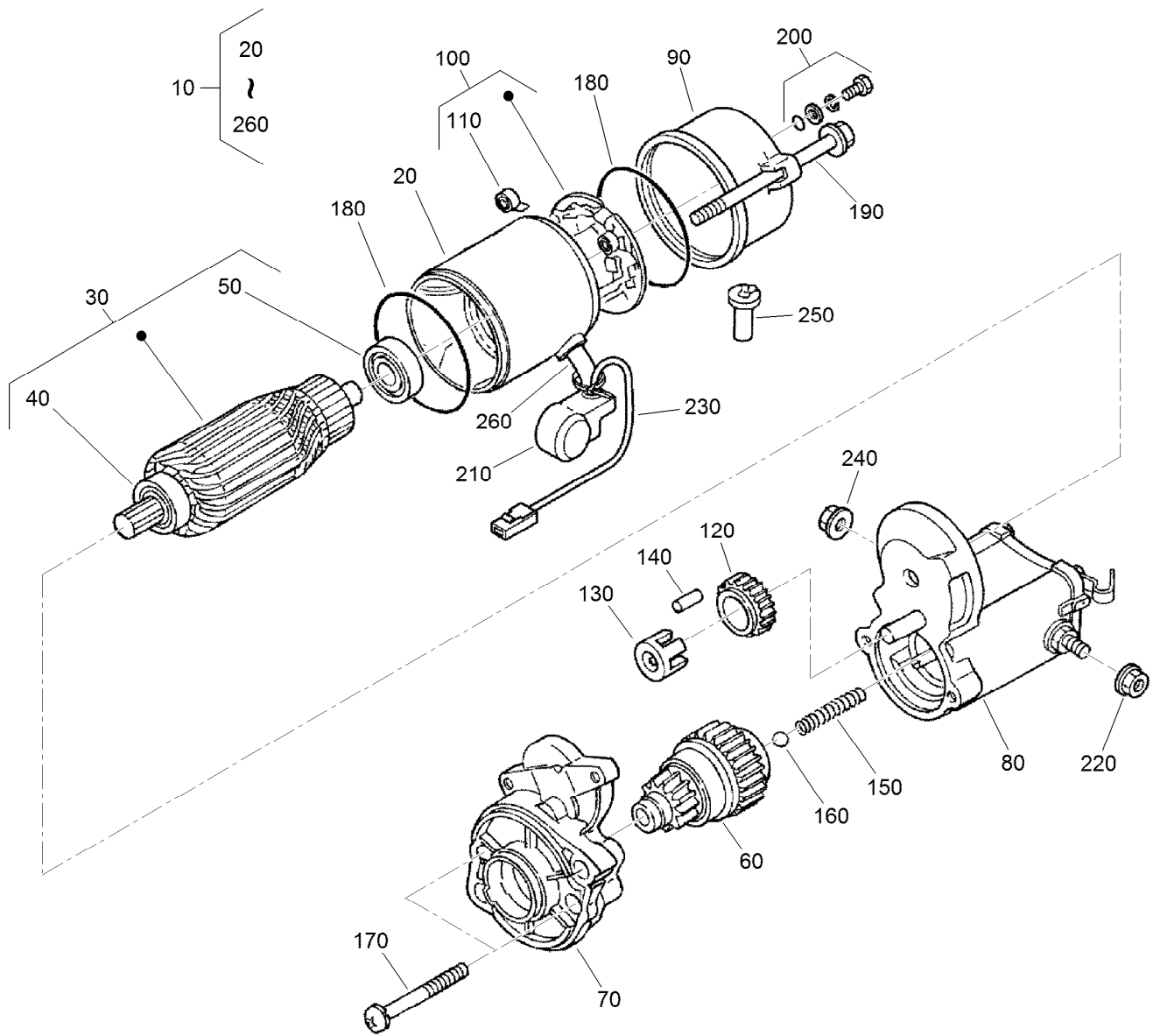
| Ref. | Part Number | Qty. | Description |
|------|-------------|------|---------------------|
| 10 | 131-6557 | 1 | Alternator ASM |
| 20 | 98-9453 | 1 | Pulley-Dynamo |
| 30 | 98-7708 | 1 | Nut |
| 40 | 98-7709 | 1 | Collar |
| 50 | 107-0136 | 1 | Rotor ASM |
| 60 | 98-7711 | 1 | Cover-Bearing |
| 70 | 107-0138 | 1 | Bearing-Ball |
| 80 | 98-7713 | 1 | Washer-Thrust |
| 90 | 107-0139 | 1 | Drive End Frame ASM |
| 100 | 98-7715 | 1 | Plate-Retainer |
| 110 | 98-7716 | 4 | Screw-Head, Round |
| 120 | 98-7717 | 2 | Bolt-Through |
| 130 | 133-2811 | 1 | Bearing |
| 140 | 107-9087 | 1 | Frame-End |

| Ref. | Part Number | Qty. | Description |
|------|-------------|------|--------------------|
| 150 | 107-0140 | 1 | Cover-End |
| 160 | 127-1612 | 1 | Rectifier ASM |
| 170 | 98-7722 | 1 | Bushing-Insulation |
| 180 | 107-0141 | 1 | Brush Holder ASM |
| 190 | 98-7724 | 2 | Brush |
| 200 | 98-7725 | 2 | Spring-Brush |
| 210 | 98-7726 | 2 | Screw-Head, Round |
| 220 | 98-7727 | 6 | Screw-Head, Round |
| 230 | 98-7728 | 1 | Screw-Head, Round |
| 240 | 98-7729 | 3 | Bolt |
| 250 | 98-7730 | 2 | Nut |
| 260 | 98-7731 | 2 | Bolt |
| 270 | 98-7732 | 1 | Nut |
| 280 | 110-3799 | 1 | Regulator ASM |



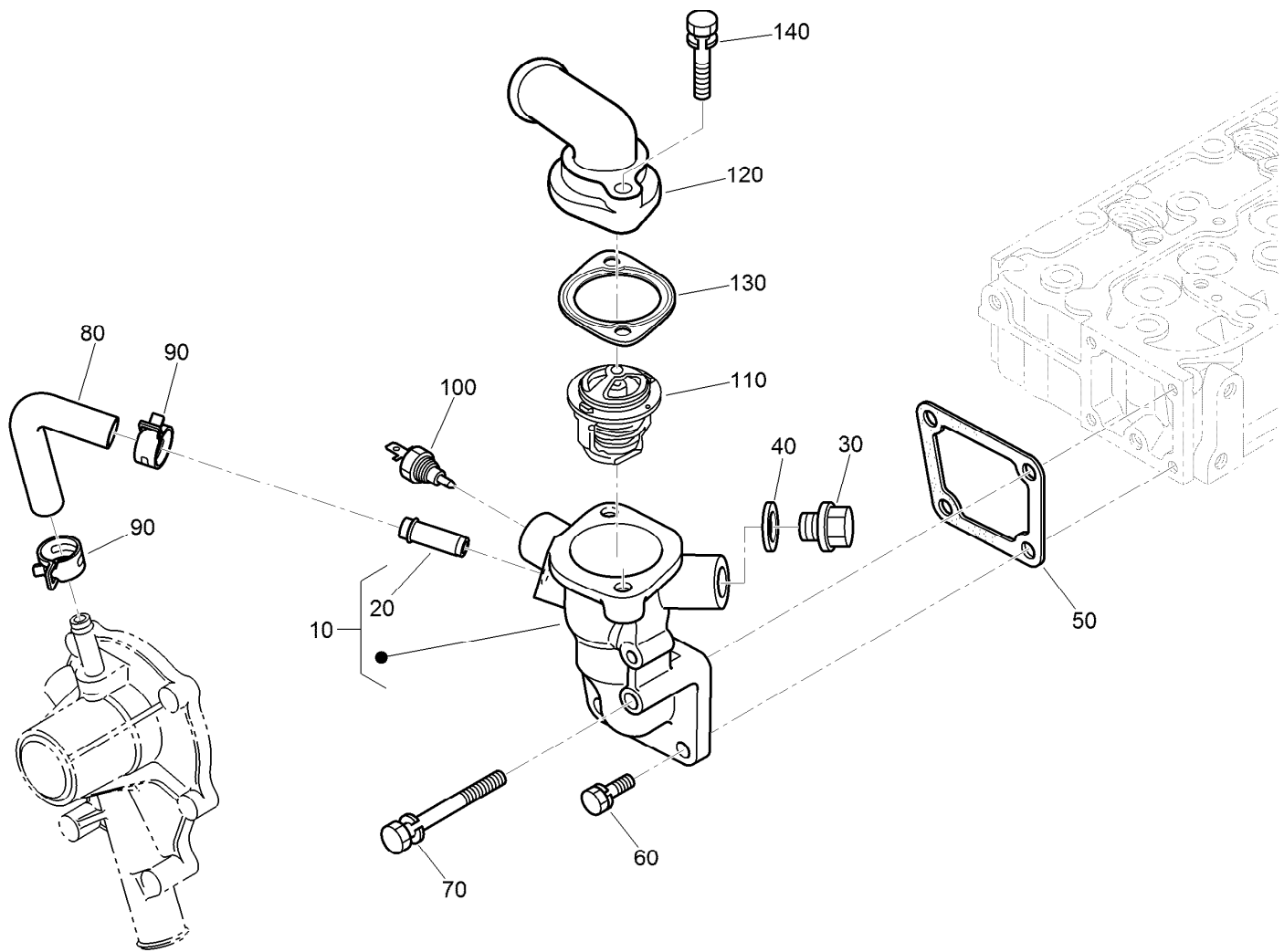
Starter and Flywheel Assembly

| Ref. | Part Number | Qty. | Description |
|------|-------------|------|-----------------|
| 10 | 98-9705 | 1 | Starter ASM |
| 20 | 98-7697 | 2 | Bolt |
| 30 | 98-7739 | 1 | Nut |
| 40 | 105-2893 | 1 | Washer-Spring |
| 60 | 105-3784 | 1 | Flywheel ASM |
| 70 | 115-3015 | 1 | Gear-Ring |
| 80 | 98-9537 | 6 | Bolt-Flywheel |
| 90 | 98-9486 | 1 | Plate-End, Rear |
| 100 | 98-9392 | 8 | Bolt |



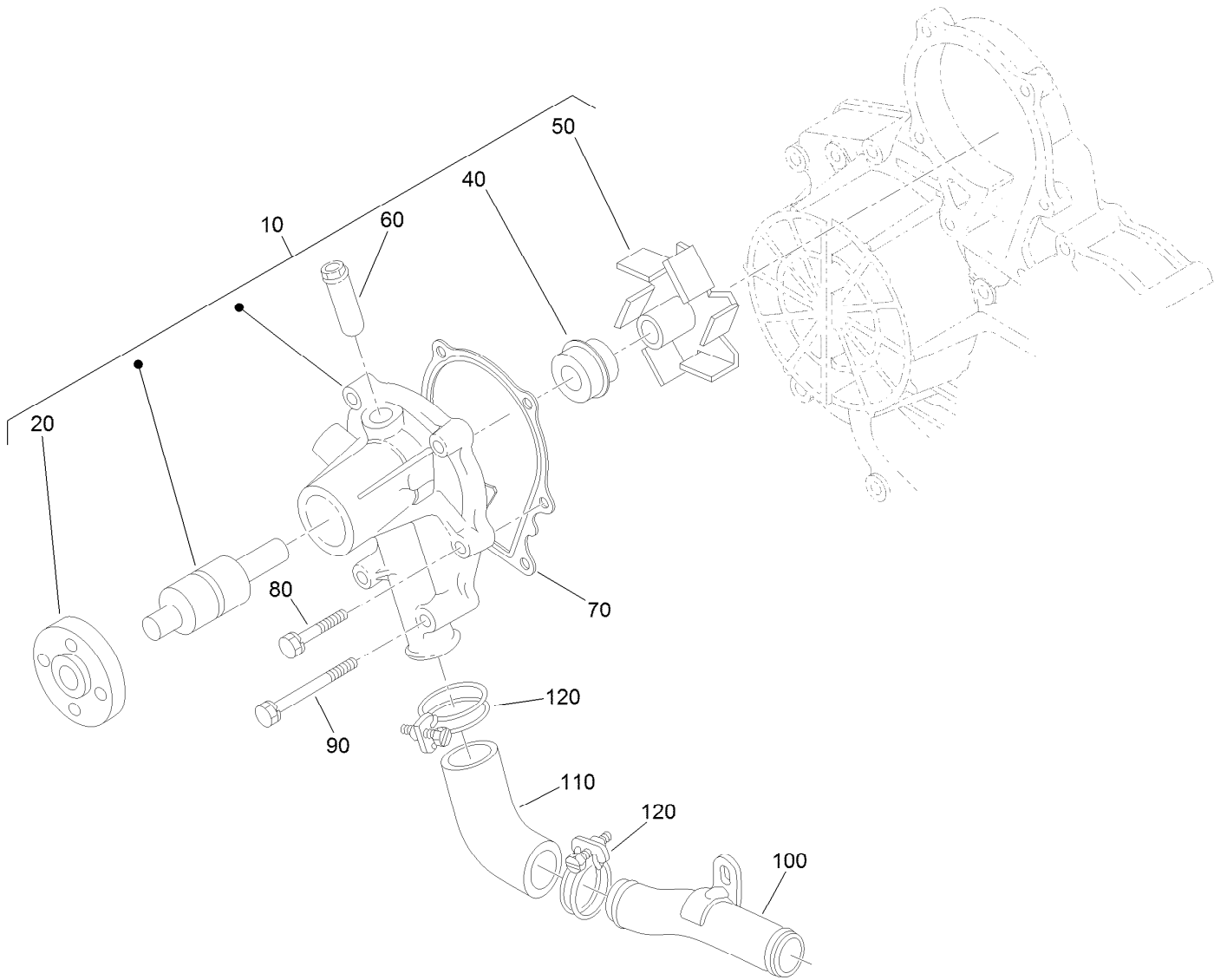
Starter Component Assembly

| <i>Ref.</i> | <i>Part Number</i> | <i>Qty.</i> | <i>Description</i> | <i>Ref.</i> | <i>Part Number</i> | <i>Qty.</i> | <i>Description</i> |
|-------------|--------------------|-------------|----------------------|-------------|--------------------|-------------|---------------------|
| 10 | 98-9705 | 1 | Starter ASM | 140 | 98-7753 | 5 | Roller |
| 20 | 104-8608 | 1 | Yoke ASM | 150 | 98-7754 | 1 | Spring |
| 30 | 98-7742 | 1 | Armature ASM | 160 | 98-7755 | 1 | Ball |
| 40 | 98-7744 | 1 | Bearing | 170 | 98-7756 | 2 | Bolt |
| 50 | 98-7743 | 1 | Bearing | 180 | 98-7757 | 2 | O-Ring |
| 60 | 99-8373 | 1 | Clutch-Running, Over | 190 | 100-9240 | 2 | Bolt |
| 70 | 99-8374 | 1 | Frame-End, Drive | 200 | 98-7758 | 2 | Bolt ASM |
| 80 | 105-3746 | 1 | Magnetic Switch ASM | 210 | 99-8375 | 1 | Cover |
| 90 | 98-7748 | 1 | Frame-End | 220 | 99-8371 | 1 | Nut-Hex |
| 100 | 98-7749 | 1 | Brush Holder ASM | 230 | 98-9711 | 1 | Cord-Solenoid, Stop |
| 110 | 98-7750 | 4 | Spring-Brush | 240 | 99-8376 | 1 | Nut-Hex |
| 120 | 98-7751 | 1 | Gear | 250 | 98-7759 | 1 | Pipe-Drain |
| 130 | 98-7752 | 1 | Retainer | 260 | 98-9712 | 1 | Band-Cover |



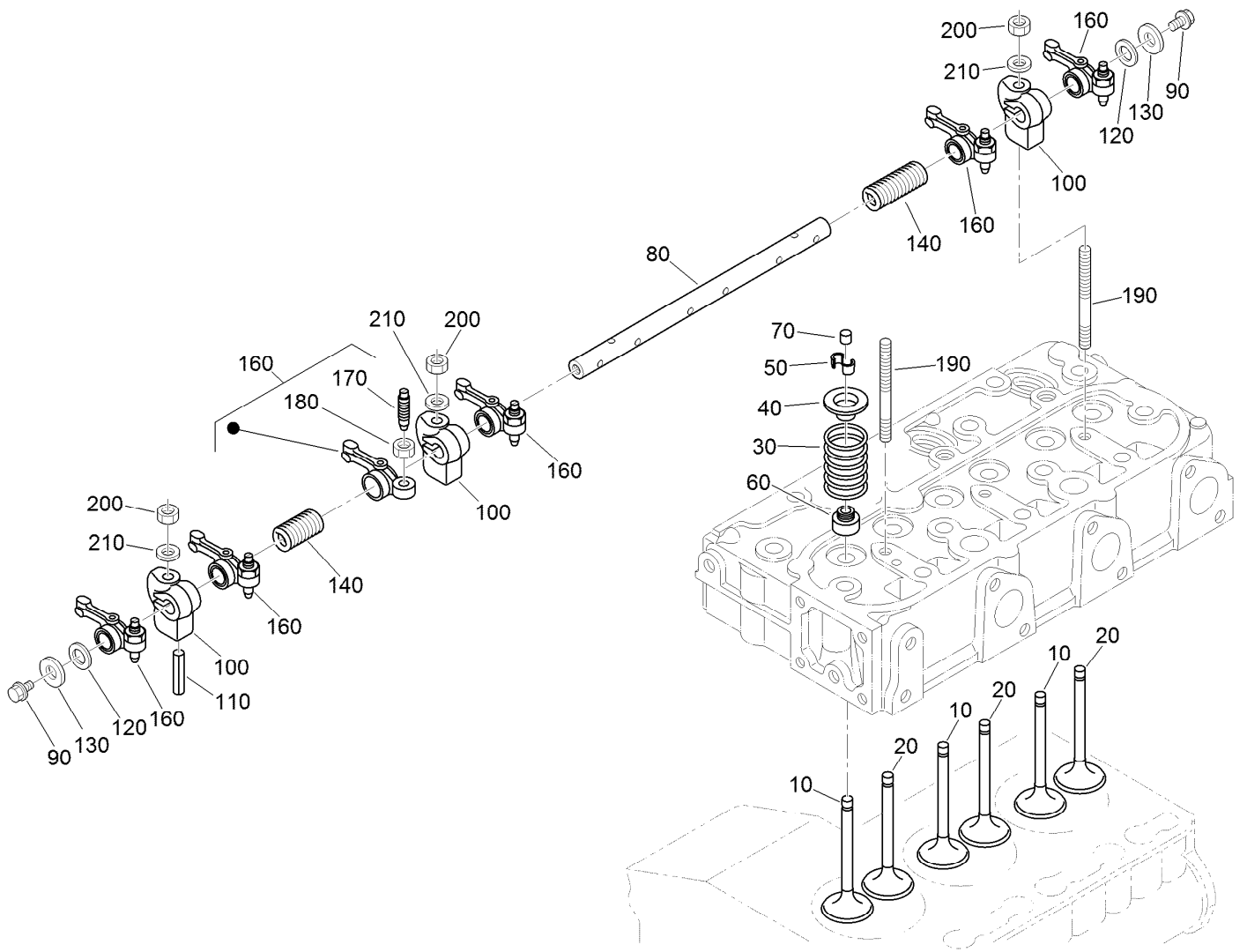
Water Flange and Thermostat Assembly

| <i>Ref.</i> | <i>Part Number</i> | <i>Qty.</i> | <i>Description</i> |
|-------------|--------------------|-------------|----------------------|
| 10 | 98-9713 | 1 | Water Flange ASM |
| 20 | 98-9580 | 1 | Pipe-Return, Water |
| 30 | 105-3747 | 1 | Plug |
| 40 | 99-3583 | 1 | Gasket |
| 50 | 98-9638 | 1 | Gasket-Flange, Water |
| 60 | 98-7692 | 3 | Bolt |
| 70 | 98-9356 | 1 | Bolt |
| 80 | 98-9578 | 1 | Pipe-Return, Water |
| 90 | 125-9078 | 2 | Clamp-Hose |
| 100 | 98-9719 | 1 | Thermoswitch |
| 110 | 98-7778 | 1 | Thermostat ASM |
| 120 | 104-4804 | 1 | Outlet-Water |
| 130 | 105-3748 | 1 | Gasket-Thermostat |
| 140 | 98-7777 | 2 | Bolt |



Water Pump Assembly

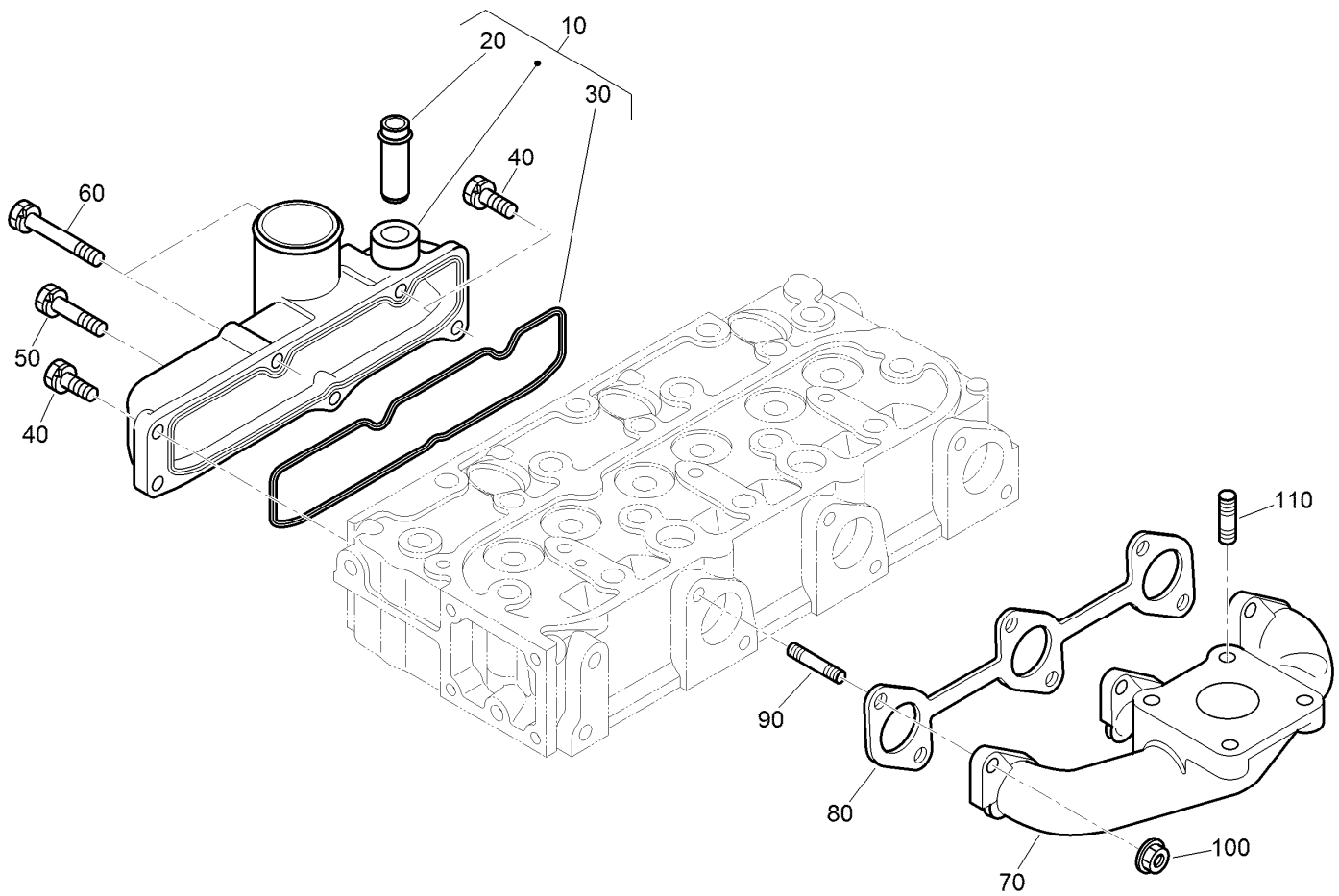
| Ref. | Part Number | Qty. | Description |
|-------------|--------------------|-------------|----------------------|
| 10 | 107-9089 | 1 | Water Pump ASM |
| 20 | 99-3516 | 1 | Flange-Pump, Water |
| 40 | 105-3750 | 1 | Mechanical Seal ASM |
| 50 | 112-7017 | 1 | Impeller-Pump, Water |
| 60 | 100-1932 | 1 | Pipe-Return, Water |
| 70 | 99-3454 | 1 | Gasket-Pump, Water |
| 80 | 98-9353 | 4 | Bolt |
| 90 | 107-9090 | 2 | Bolt |
| 100 | 98-9716 | 1 | Pipe-Water |
| 110 | 107-9091 | 1 | Pipe-Water |
| 120 | 127-0439 | 2 | Clamp-Hose |



Valve and Rocker Arm Assembly

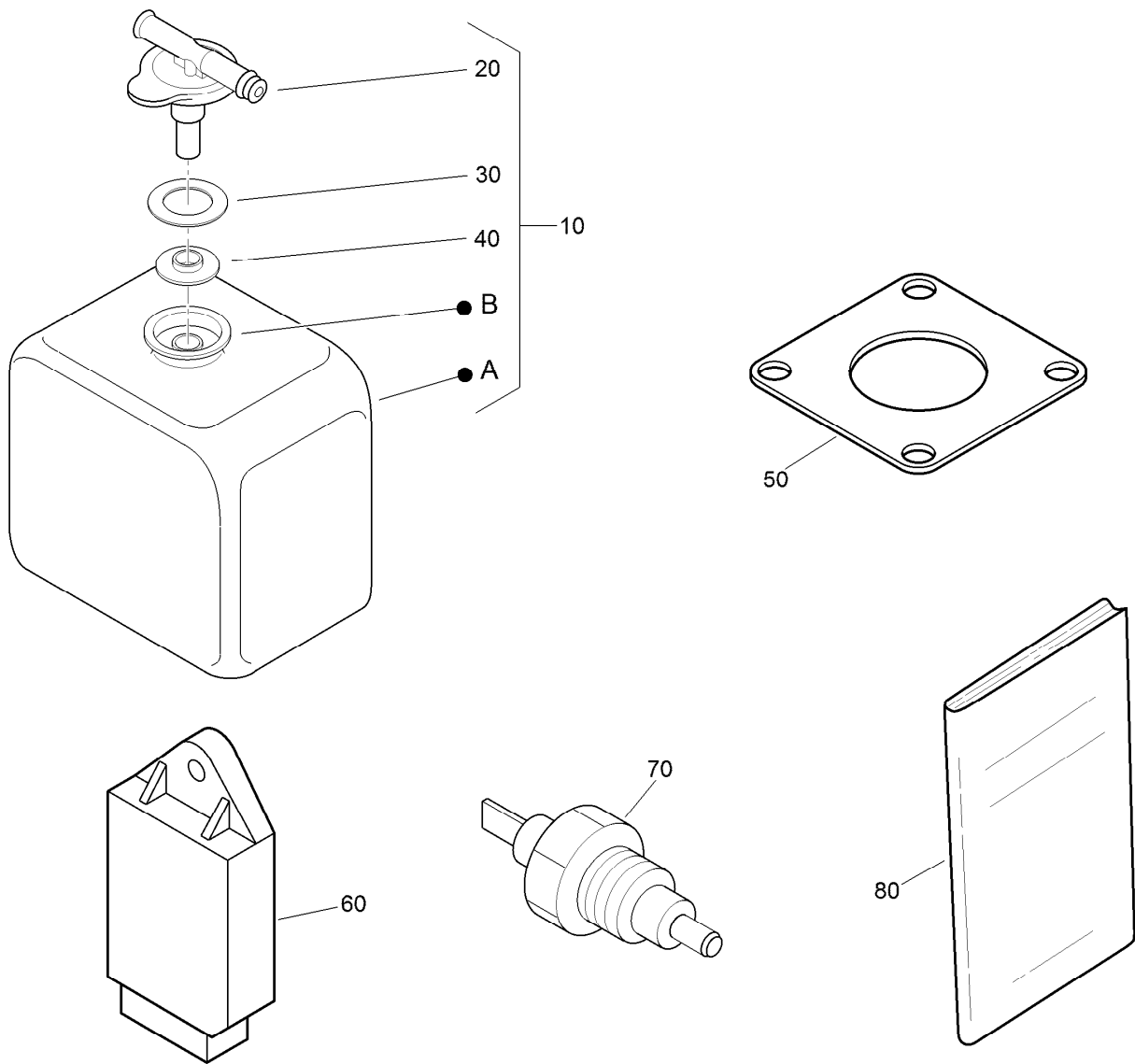
| Ref. | Part Number | Qty. | Description |
|------|-------------|------|----------------------|
| 10 | 112-7018 | 3 | Valve-Inlet |
| 20 | 120-2564 | 3 | Valve-Exhaust |
| 30 | 98-9648 | 6 | Spring-Valve |
| 40 | 107-9092 | 6 | Retainer-Spring |
| 50 | 117-7572 | 6 | Collet-Spring, Valve |
| 60 | 99-8385 | 6 | Seal-Stem, Valve |
| 70 | 98-9497 | 6 | Cap-Valve |
| 80 | 130-1248 | 1 | Shaft-Arm, Rocker |
| 90 | 99-8363 | 2 | Bolt-Flange |
| 100 | 98-9505 | 3 | Bracket-Arm, Rocker |

| Ref. | Part Number | Qty. | Description |
|------|-------------|------|--------------------------|
| 110 | 105-3758 | 1 | Pin-Spring |
| 120 | 98-9507 | 2 | Washer-Shaft, Rocker Arm |
| 130 | 110-3832 | 2 | Washer-Plain |
| 140 | 98-9504 | 2 | Spring-Arm, Rocker |
| 160 | 112-7020 | 6 | Rocker Arm ASM |
| 170 | 98-9502 | 6 | Screw-Adjusting |
| 180 | 98-9503 | 6 | Nut |
| 190 | 98-9506 | 3 | Stud |
| 200 | 98-9393 | 3 | Nut |
| 210 | 98-9385 | 3 | Washer-Flat |



Inlet and Exhaust Manifold Assembly

| <i>Ref.</i> | <i>Part Number</i> | <i>Qty.</i> | <i>Description</i> |
|-------------|--------------------|-------------|--------------------------|
| 10 | 107-7843 | 1 | Manifold Inlet ASM |
| 20 | 98-9492 | 1 | Joint-Pipe, Breather |
| 30 | 98-9609 | 1 | Gasket-Manifold, Inlet |
| 40 | 127-0403 | 3 | Bolt-Flange |
| 50 | 98-9353 | 1 | Bolt |
| 60 | 125-9063 | 2 | Bolt-Sems |
| 70 | 107-9093 | 1 | Manifold-Exhaust |
| 80 | 99-8327 | 1 | Gasket-Manifold, Exhaust |
| 90 | 98-9588 | 6 | Stud |
| 100 | 98-9665 | 6 | Nut |
| 110 | 98-7769 | 4 | Stud |



Miscellaneous Engine Parts

| <i>Ref.</i> | <i>Part Number</i> | <i>Qty.</i> | <i>Description</i> |
|-------------|--------------------|-------------|--------------------|
| 10 | 104-9318 | 1 | Bottle-Overflow |
| 20 | 115-4132 | 1 | Cap |
| 30 | 105-3755 | 1 | Gasket |
| 40 | 105-3756 | 1 | Plate |
| 50 | 99-8343 | 1 | Gasket-Muffler |
| 60 | 98-7611 | 1 | Controller-Glow |
| 70 | 106-7772 | 1 | Thermoswitch |
| 80 | 130-1543 | 1 | Manual-Operator |

Attachments and Accessories

For 03820 Reelmaster 3555 Traction Unit

| Product Name | Model/Part |
|--|-------------------|
| 22in Fairway Flex Grass Basket Kit | 03415 |
| 22in Fairway Compact Grass Basket Kit..... | 03416 |
| 22in 8-Blade DPA Cutting Unit..... | 03487 |
| 22in 11-Blade DPA Cutting Unit | 03488 |
| Premium All Purpose Grease (Tube) | 108-1190 |
| Premium Synthetic Bio-Degradable Hydraulic Fluid (5 Gallon Pail) | 119-2157 |
| Premium Synthetic Bio-Degradable Hydraulic Fluid (55 Gallon Drum)..... | 119-2158 |
| Treaded 22-12x12 Tire Asm | 121-7924 |
| Step | 127-8562-03 |
| PX Hydraulic Fluid (5 Gal) | 133-8086 |
| PX Hydraulic Fluid (55 Gal)..... | 133-8087 |
| Cutting Unit Lock Kit, Reelmaster 3555 or 3575 Traction Unit | 138-6938 |
| Brush and Handle Kit..... | 29-9100 |
| Universal Sunshade | 30349 |
| 1000 Hour MVP Kit | 44963 |
| Diagnostic Display Box..... | 85-4750 |

Notes:

Notes:

Notes:



Count on it.