



Count on it.

Parts Catalog

Workman® HDX-D
4-Wheel Drive Utility Vehicle with Bed

Model No. 07387—Serial No. 412900000 and Up



Ordering Replacement Parts

To order replacement parts, please supply the part number, the quantity, and the description of each part desired.

Understanding Reference Numbers

Each identified part in an illustration has a reference number. The reference number for a part also appears in the parts list, along with other information about the part.

This catalog uses two special reference number formats, one to indicate parts in a service assembly and another to indicate the quantity of a given part in an illustration.

Service Assembly Reference Numbers

Parts in service assemblies have reference numbers in the form a:b. The a represents the reference number of the entire service assembly and the b represents a sequential number unique to each part within the service assembly.

For example, a wheel assembly might be identified by reference number 6, the tire by 6:1, the valve by 6:2, and the wheel by 6:3. When you order the assembly identified by reference number 6, you receive all parts identified by reference numbers 6:1, 6:2, and 6:3. However, you may also order any part individually. Reference numbers of this type appear in illustration and in parts lists.

Reference Numbers Indicating Quantity

In an illustration, if a reference number indicates more than one part, the reference number has the form nX y. The n represents the quantity of the part, the X is the multiplication symbol, and the y represents the reference number.

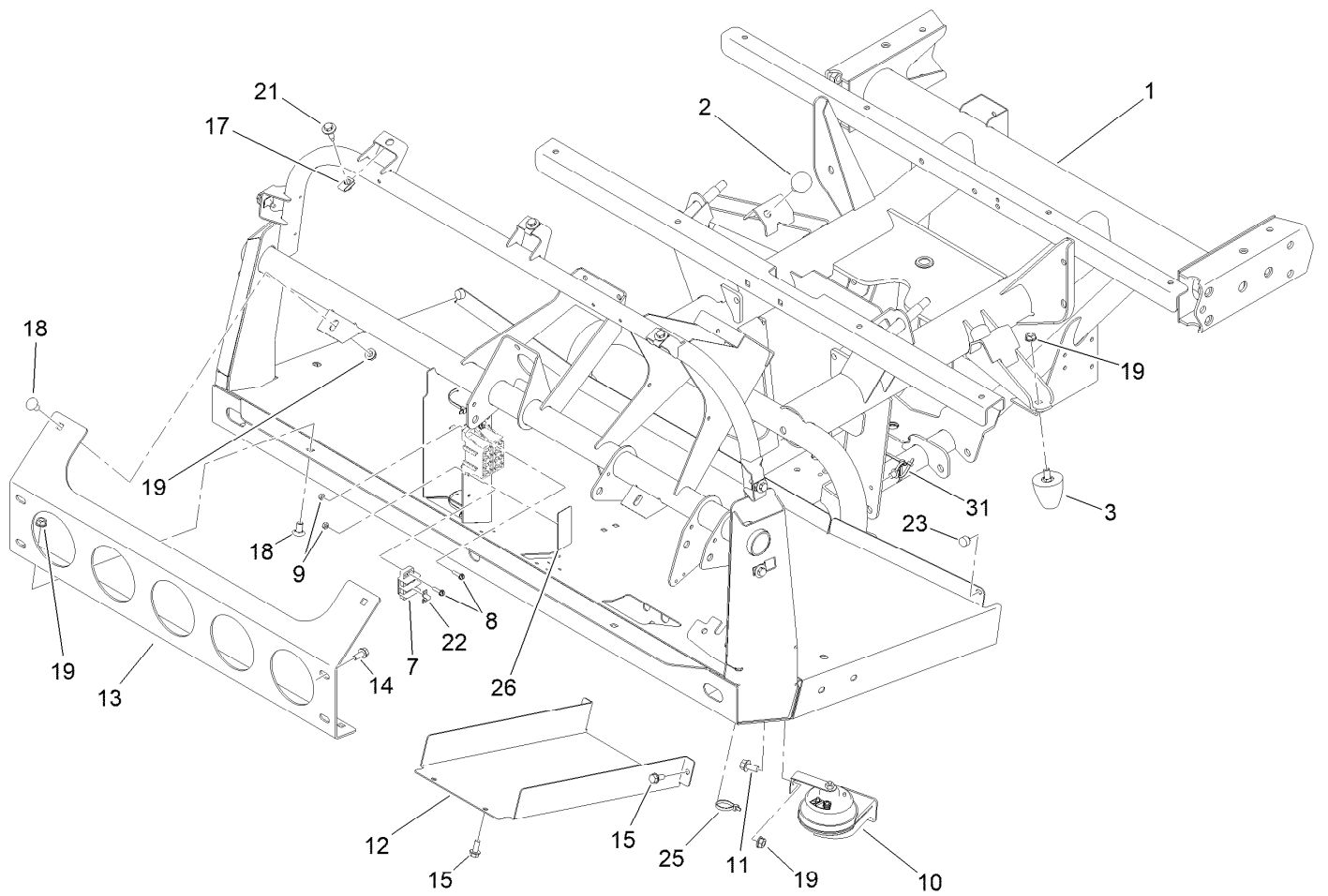
For example, in an illustration, the reference number 2X 37 means that two of the parts identified by reference number 37 are indicated.

Contents

| | |
|---|----|
| Front Frame Assembly | 5 |
| Rear Frame and Suspension Assembly | 6 |
| Rear Axle Assembly | 7 |
| Brake Caliper Assembly No. 127-7424 | 8 |
| Front and Rear Brake Line Assembly | 9 |
| Front Suspension Assembly | 10 |
| Steering and Front Wheel Assembly | 11 |
| Steering Linkage Assembly | 12 |
| Hydraulic Cylinder Assembly No. 120-5059 | 13 |
| Front Control Arm Assembly | 14 |
| Brake and Clutch Pedal Assembly | 15 |
| Master Cylinder Assembly No. 104-6782 | 16 |
| Accelerator Pedal Assembly | 17 |
| Console Assembly | 18 |
| Shift Assembly No. 106-7887 | 20 |
| Bumper, Hood and Seat Base Assembly | 21 |
| Dash Assembly | 22 |
| Steering Hydraulic Assembly | 23 |
| Steering Valve Assembly No. 120-4813 | 24 |
| Seat Assembly | 25 |
| Roll-Over Protection System Assembly | 26 |
| Full Bed and Side Panel Assembly | 27 |
| Engine Sub Frame Assembly | 28 |
| Engine Assembly | 29 |
| Cooling System Assembly | 30 |
| Radiator Assembly | 31 |
| Clutch Linkage Assembly | 32 |
| Transaxle Assembly | 33 |
| Case Assembly 4 Wheel Drive Transaxle Assembly No. 115-2175 | 34 |
| Center Plate Assembly 4 Wheel Drive Transaxle Assembly No. 115-2175 | 35 |
| Main Shaft Assembly 4 Wheel Drive Transaxle Assembly No. 115-2175 | 36 |
| Reduction Shaft Assembly 4 Wheel Drive Transaxle Assembly No. 115-2175 | 37 |
| Reverse Shaft Assembly 4 Wheel Drive Transaxle Assembly No. 115-2175 | 38 |
| Main Shift Assembly 4 Wheel Drive Transaxle Assembly No. 115-2175 | 39 |
| Hi-Lo Shift Assembly 4 Wheel Drive Transaxle Assembly No. 115-2175 | 40 |
| Countershaft Assembly 4 Wheel Drive Transaxle Assembly No. 115-2175 | 41 |
| Differential Gear Assembly 4 Wheel Drive Transaxle Assembly No. 115-2175 | 42 |
| Differential Carrier Assembly 4 Wheel Drive Transaxle Assembly No. 115-2175 | 43 |
| Differential Lock Assembly 4 Wheel Drive Transaxle Assembly No. 115-2175 | 44 |
| Axle Shaft Assembly 4 Wheel Drive Transaxle Assembly No. 115-2175 | 45 |
| Front Drive Assembly 4 Wheel Drive Transaxle Assembly No. 115-2175 | 46 |
| 4 Wheel Drive Assembly | 47 |
| Differential Assembly No. 119-0824 | 48 |
| Drive Shaft Assembly No. 136-6327 | 49 |
| Battery Assembly | 50 |
| Tail Light and Fender Assembly | 51 |
| Fuel System Assembly | 52 |
| Hydraulic Lift Cylinder Assembly | 53 |
| Hydraulic Cylinder Assembly No. 133-0620 | 55 |
| Main Hydraulic Pump and Lift Valve Assembly | 56 |
| Control Valve Assembly No. 43-1950 | 58 |
| Hydraulic Gear Pump Assembly No. 114-8302 | 59 |
| Air Cleaner Assembly | 60 |
| Air Cleaner Assembly No. 138-5650 | 61 |

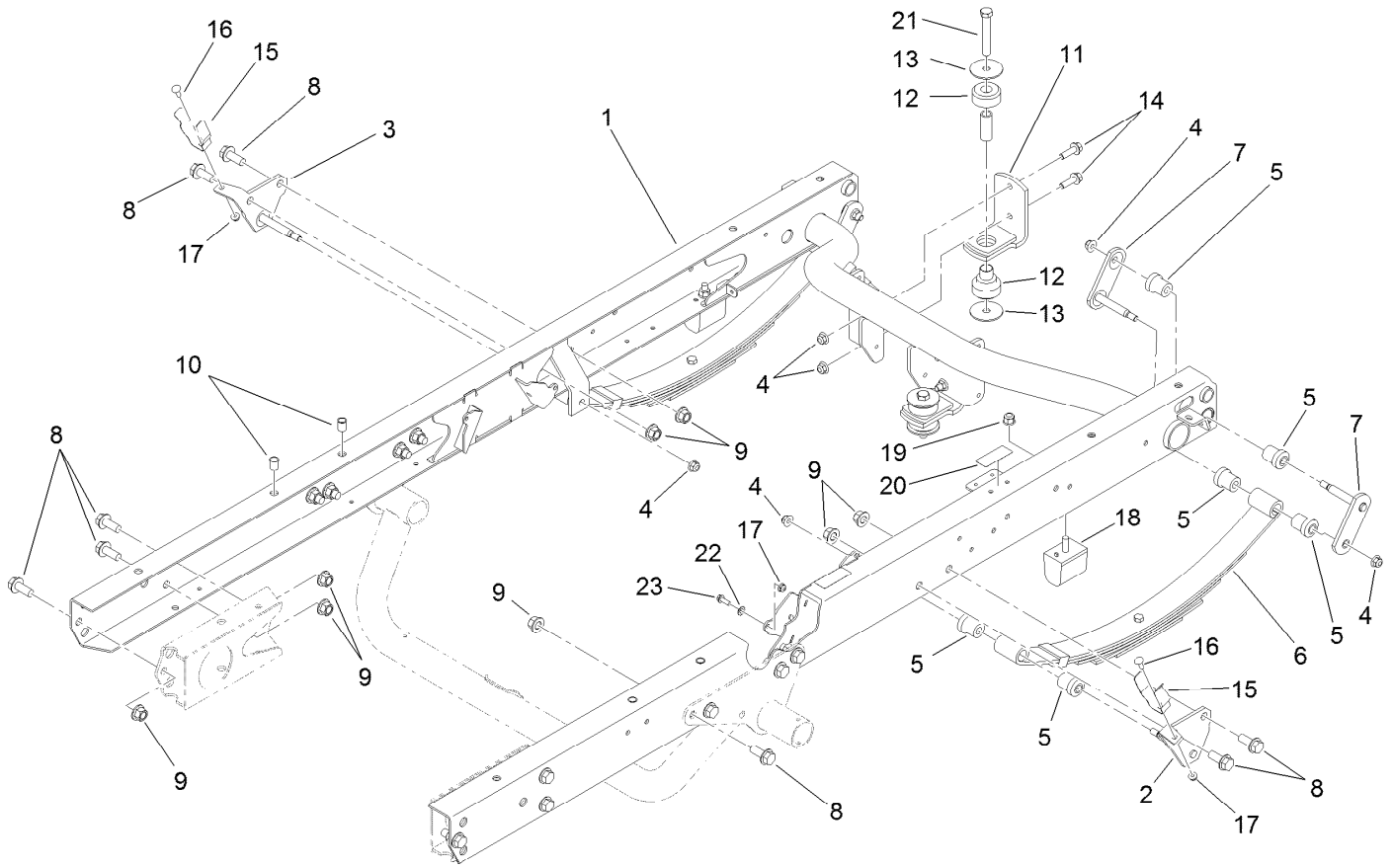
Contents (continued)

| | |
|---|----|
| Front and Rear Wire Harness Assembly | 62 |
| Crankcase Assembly | 63 |
| Oil Pan Assembly | 64 |
| Cylinder Head Assembly | 65 |
| Gear Case and Oil Filter Cartridge Assembly | 66 |
| Cylinder Head Cover Assembly | 67 |
| Oil Pump and Dipstick Assembly | 68 |
| Main Bearing Case Assembly | 69 |
| Camshaft and Idle Gear Shaft Assembly | 70 |
| Piston and Crankshaft Assembly | 71 |
| Flywheel Assembly | 72 |
| Fuel Camshaft Assembly | 73 |
| Idle Apparatus Assembly | 74 |
| Stop Solenoid and Fuel Pump Cover Assembly | 75 |
| Injection Pump Assembly | 76 |
| Governor Assembly | 77 |
| Speed Control Plate Assembly | 78 |
| Nozzle Holder and Glow Plug Assembly | 79 |
| Nozzle Holder Assembly | 80 |
| Alternator and Pulley Assembly | 83 |
| Starter Installation Assembly | 84 |
| Starter Component Assembly | 85 |
| Water Flange and Thermostat Assembly | 86 |
| Water Pump and Water Pipe Assembly | 87 |
| Valve and Rocker Arm Assembly | 88 |
| Inlet and Exhaust Manifold Assembly | 89 |
| Miscellaneous Engine Parts | 90 |
| Attachments and Accessories | 91 |



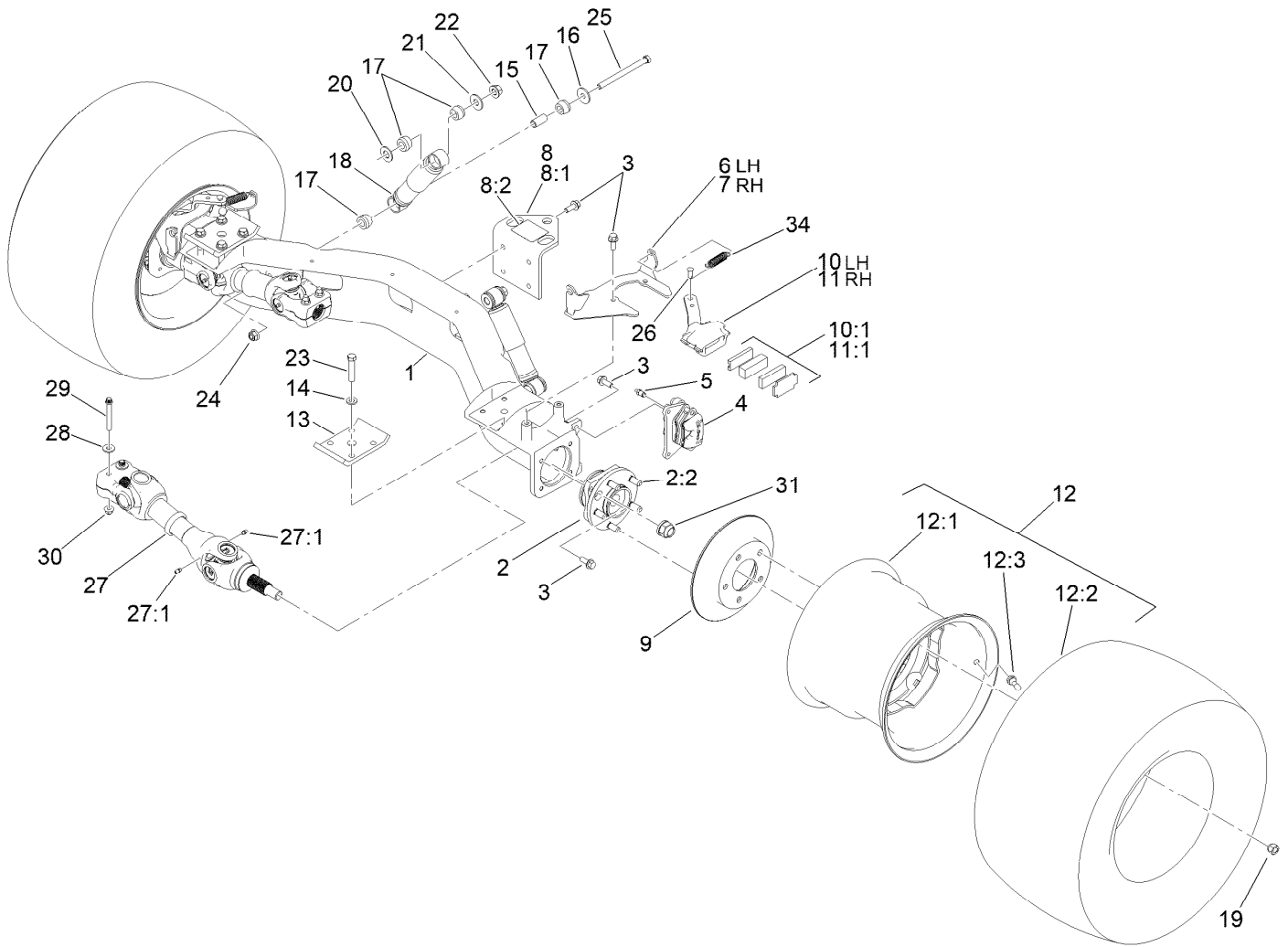
Front Frame Assembly

| <i>Ref.</i> | <i>Part Number</i> | <i>Qty.</i> | <i>Description</i> | <i>Ref.</i> | <i>Part Number</i> | <i>Qty.</i> | <i>Description</i> |
|-------------|--------------------|-------------|------------------------|-------------|--------------------|-------------|--------------------|
| 1 | 138-9251 | 1 | Frame-Front | 15 | 32144-70 | 4 | Screw-HWHTF |
| 2 | 87-2440 | 2 | Bumper-Rubber | 17 | 94-2413 | 7 | Nut-U |
| 3 | 26-0071 | 2 | Snubber-Rubber | 18 | 3231-21 | 4 | Screw-CARR |
| 7 | 42862 | 1 | Block-Terminal, Ground | 19 | 3290-357 | 7 | Nut-HSF |
| 8 | 32105-13 | 6 | Screw-HWH | 21 | 114-8418 | 7 | Screw-HWH, Sems |
| 9 | 3296-2 | 6 | Nut-Lock, NI | 22 | 42863 | 1 | Strip-Jumper |
| 10 | 110-2594 | 1 | Horn | 23 | 107-8042 | 2 | Bumper-Rubber |
| 11 | 3234-1 | 1 | Screw-HHF | 25 | 3290-379 | 9 | Tie-Cable |
| 12 | 106-2427-03 | 1 | Cover | 26 | 145-2286 | 1 | Decal-Fuse Block |
| 13 | 114-8272-03 | 1 | Bracket-Bumper | 31 | 32180-030 | 2 | Clip-Tie |
| 14 | 3234-5 | 4 | Screw-HHF | | | | |



Rear Frame and Suspension Assembly

| <i>Ref.</i> | <i>Part Number</i> | <i>Qty.</i> | <i>Description</i> | <i>Ref.</i> | <i>Part Number</i> | <i>Qty.</i> | <i>Description</i> |
|-------------|--------------------|-------------|--------------------|-------------|--------------------|-------------|--------------------|
| 1 | 115-2255-03 | 1 | Frame-Rear | 13 | 87-5100 | 4 | Washer-Snubbing |
| 2 | 131-3474 | 1 | Mount-Spring, LH | 14 | 3234-24 | 4 | Screw-HHF |
| 3 | 131-3472 | 1 | Mount-Spring, RH | 15 | 108-3109 | 2 | Retainer-Cylinder |
| 4 | 104-8301 | 10 | Nut-HF, NI | 16 | 3229-1 | 2 | Screw-CARR |
| 5 | 87-4760 | 12 | Bushing-Rubber | 17 | 104-7201 | 3 | Nut-HF, NI |
| 6 | 87-1490 | 2 | Spring-Leaf, Rear | 18 | 87-3470 | 2 | Bumper |
| 7 | 131-3476 | 4 | Shackle | 19 | 103-9511 | 2 | Nut-Lock, NI |
| 8 | 3234-38 | 18 | Screw-HHF | 20 | 115-2047 | 2 | Decal-Surface, Hot |
| 9 | 99-5107 | 18 | Nut-Lock | 21 | 33116-080 | 2 | Screw-HH |
| 10 | 32148-9 | 4 | Nut-Clinch | 22 | 119-8952 | 1 | Washer |
| 11 | 87-5800-03 | 2 | Mount-Transaxle | 23 | 321-3 | 1 | Screw-HH |
| 12 | 106-7865 | 2 | Mount-Engine | | | | |



Rear Axle Assembly

| Ref. | Part Number | Qty. | Description | Ref. | Part Number | Qty. | Description |
|------|-------------|------|-------------------------|------|-------------|------|------------------------|
| 1 | 144-2176 | 1 | Axle-Rear | 14 | 87-7480 | 8 | Washer |
| 2 | 121-9751 | 2 | Hub-Bearing, Wheel | 15 | 87-3600 | 2 | Spacer-Absorber, Shock |
| 2:2 | 121-9752 | 5 | Stud-Wheel | 16 | 87-5330 | 2 | Washer |
| 3 | 3234-11 | 20 | Screw-HHF | 17 | 87-3920 | 8 | Bushing |
| 4 | 127-7424 | 2 | Brake Caliper ASM | 18 | 121-9774 | 2 | Absorber-Shock |
| 5 | 119-9509 | 2 | Screw-Bleed | 19 | 242-50 | 10 | Nut-Lug |
| 6 | 115-2362-0P | 1 | Bracket ASM-Caliper, LH | 20 | 3256-27 | 2 | Washer-Flat |
| 7 | 115-2359-0P | 1 | Bracket ASM-Caliper, RH | 21 | 3256-6 | 2 | Washer-Flat |
| 8 | 115-7742 | 1 | Hitch ASM | 22 | 99-5107 | 2 | Nut-Lock |
| 8:1 | 92-5951-03 | 1 | Angle-Hitch | 23 | 115-2398 | 8 | Bolt-HH |
| 8:2 | 136-1163 | 1 | Decal-Load, Towing | 24 | 114-8417 | 2 | Nut-HF, NI |
| 9 | 114-8351 | 2 | Rotor-Brake | 25 | 114-8424 | 2 | Screw-HH |
| 10 | 114-8365 | 1 | Caliper-Mechanical, LH | 26 | 283-85 | 2 | Pin-Clevis |
| 10:1 | 115-7847 | 1 | Parking Brake Pad Kit | 27 | 138-5600 | 2 | Driveshaft ASM |
| 11 | 114-8366 | 1 | Caliper-Mechanical, RH | 27:1 | 302-5 | 2 | Fitting-Grease |
| 11:1 | 115-7847 | 1 | Parking Brake Pad Kit | 28 | 80-6990 | 4 | Washer-Hardened |
| 12 | 147-2771 | 2 | Wheel And Tire ASM | 29 | 98-2939 | 4 | Screw-Cap |
| 12:1 | 147-2772 | 1 | Wheel | 30 | 104-8301 | 4 | Nut-HF, NI |
| 12:2 | 131-6673 | 1 | Tire-Rear | 31 | 115-2164 | 2 | Nut-Spindle |
| 12:3 | 232-27 | 1 | Stem-Valve | 34 | 104-6415 | 2 | Spring-Return, Pedal |
| 13 | 87-7470-0P | 2 | Plate - Sprg Clamp *b | | | | |



Brake Caliper Assembly No. 127-7424

| <i>Ref.</i> | <i>Part Number</i> | <i>Qty.</i> | <i>Description</i> |
|-------------|--------------------|-------------|--------------------|
| 1 | 133-0628 | 1 | Brake Pad Kit |
| 2 | 119-9511 | 1 | Bracket Kit |
| 3 | 133-0614 | 1 | Piston Kit |



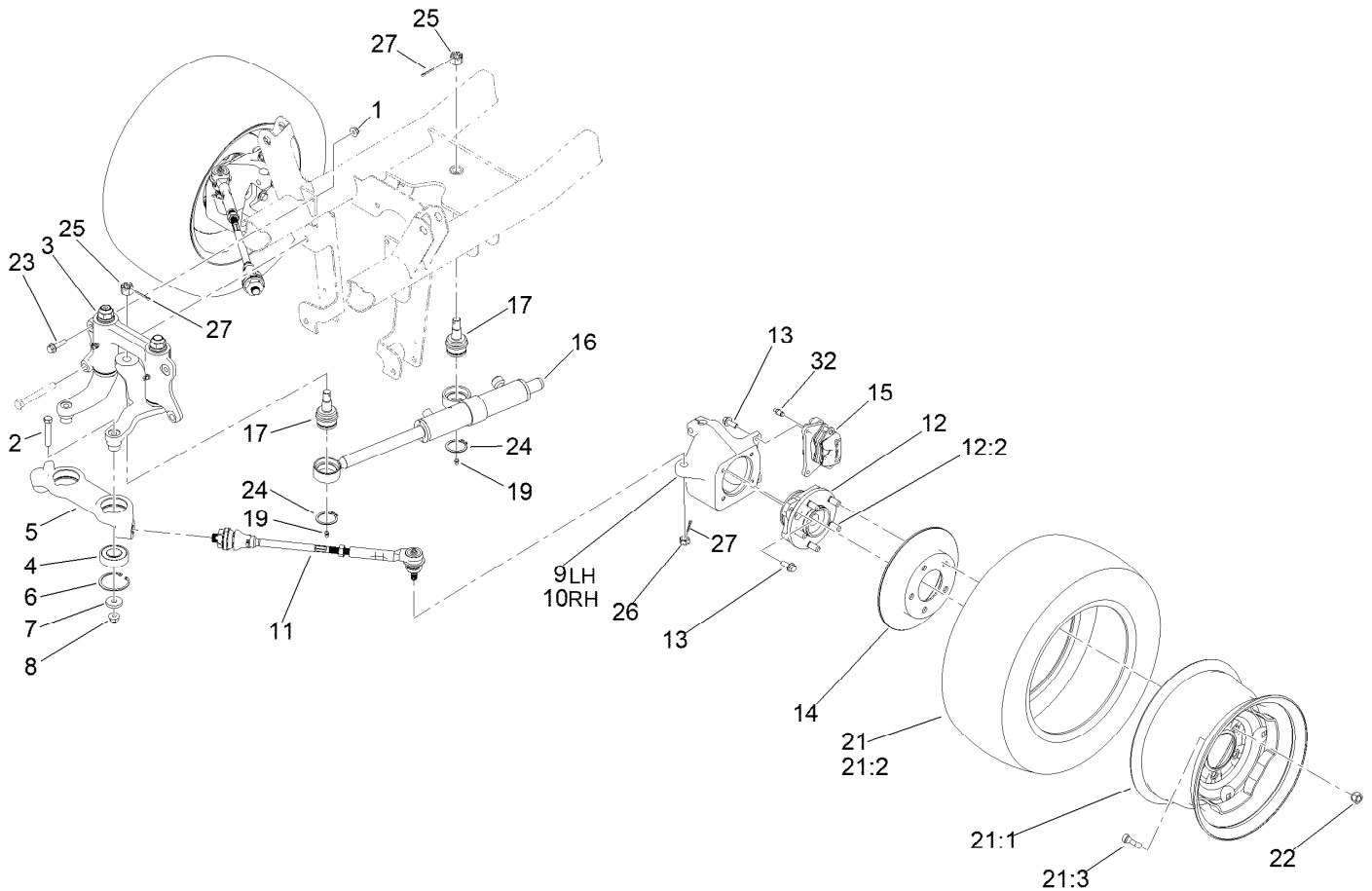
Front and Rear Brake Line Assembly

| <i>Ref.</i> | <i>Part Number</i> | <i>Qty.</i> | <i>Description</i> |
|-------------|--------------------|-------------|----------------------|
| 1 | 119-9682 | 1 | Front Brake Line ASM |
| 2 | 119-9681 | 1 | Rear Brake Line ASM |
| 3 | 32144-70 | 1 | Screw-HWHTF |
| 4 | 321-6 | 3 | Screw-HH |
| 5 | 104-7201 | 3 | Nut-HF, NI |
| 6 | 3234-21 | 3 | Screw-HHF |
| 7 | 32128-33 | 3 | Nut-HF |
| 8 | 115-2341 | 8 | Washer-Banjo |
| 9 | 120-4875 | 4 | Bolt-Flange, Banjo |



Front Suspension Assembly

| Ref. | Part Number | Qty. | Description | Ref. | Part Number | Qty. | Description |
|------|-------------|------|------------------------|------|-------------|------|------------------------|
| 1 | 137-1693 | 1 | Control Arm-LH | 11 | 119-6725 | 2 | Link, Anti-Sway Bar |
| 1:1 | 87-0160-03 | 1 | Tower-Control Arm, LH | 12 | 87-3920 | 24 | Bushing |
| 1:2 | 33-3090 | 2 | Bushing | 13 | 133-0633-0P | 1 | Bar-Anti-Sway, HD |
| 1:3 | 302-11 | 1 | Fitting-Lube, 45 DEG | 15 | 87-3910 | 2 | Bushing-Rubber |
| 2 | 137-1692 | 1 | Control Arm-RH | 16 | 87-4010 | 2 | Clamp, Anti-Sway Bar |
| 2:1 | 87-0150-03 | 1 | Tower-Control Arm, RH | 17 | 87-3890 | 2 | Bracket, Anti-Sway Bar |
| 2:2 | 33-3090 | 2 | Bushing | 18 | 3231-25 | 4 | Bolt-CARR |
| 2:3 | 302-11 | 1 | Fitting-Lube, 45 DEG | 19 | 104-8301 | 12 | Nut-HF, NI |
| 4 | 3234-39 | 8 | Screw-HHF | 20 | 119-6724 | 2 | Link-Stabilizer |
| 5 | 87-2500 | 2 | Sleeve-Spring, Pivot | 21 | 324-10 | 8 | Screw-HH |
| 6 | 105-7958 | 2 | Spring Cradle ASM | 22 | 140-2566 | 2 | Spring-Compression |
| 6:2 | 93-9879 | 1 | Decal-Warning | 24 | 121-9774 | 2 | Absorber-Shock |
| 7 | 325-13 | 2 | Screw-HH | 25 | 324-13 | 2 | Screw-HH |
| 8 | 99-5107 | 4 | Nut-Lock | 26 | 3256-6 | 2 | Washer-Flat |
| 9 | 87-3600 | 10 | Spacer-Absorber, Shock | 27 | 3256-27 | 2 | Washer-Flat |
| 10 | 87-5330 | 12 | Washer | 28 | 114-8417 | 10 | Nut-HF, NI |



Steering and Front Wheel Assembly

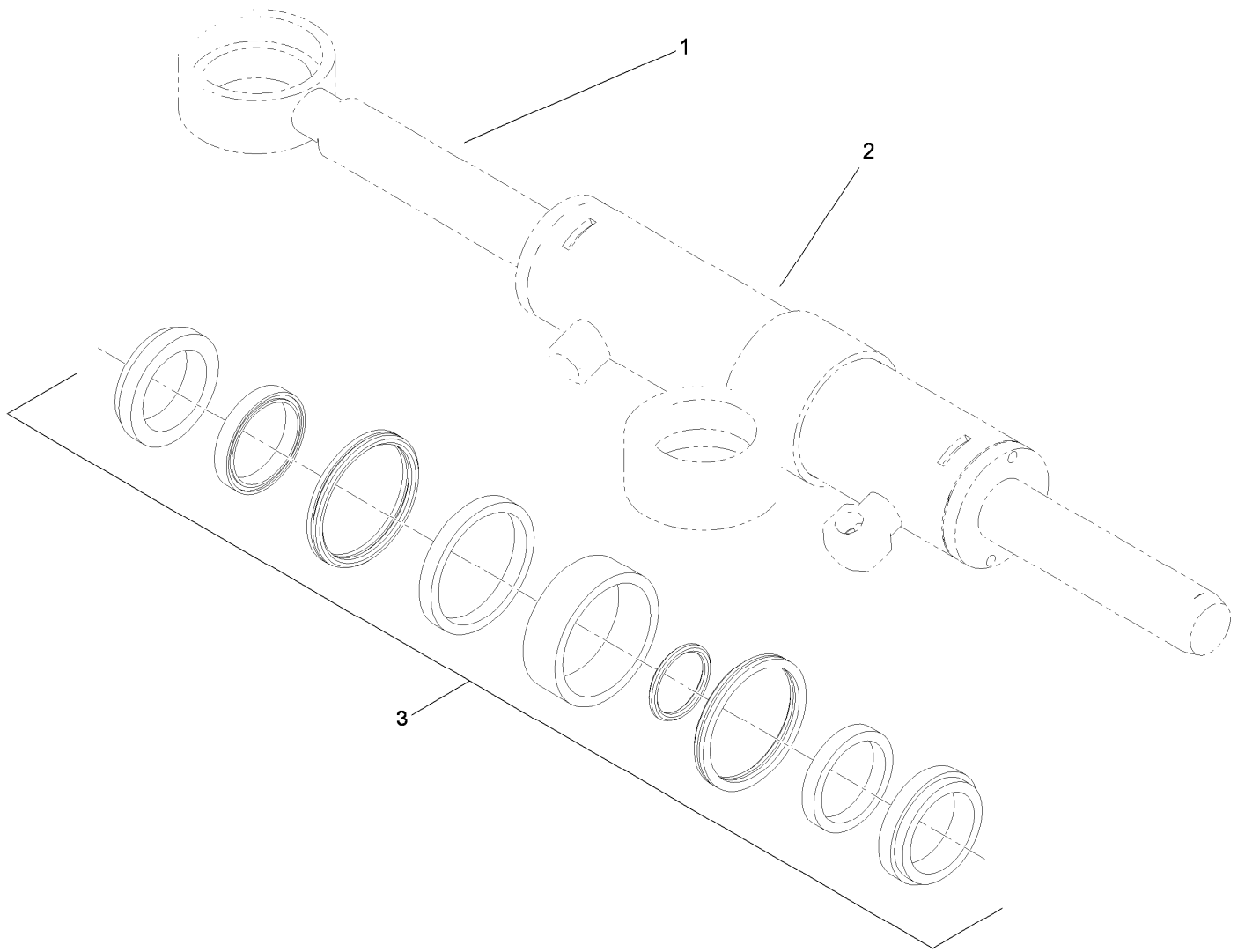
| Ref. | Part Number | Qty. | Description | Ref. | Part Number | Qty. | Description |
|------|-------------|------|------------------------|------|-------------|------|--------------------------|
| 1 | 104-8301 | 2 | Nut-HF, NI | 15 | 127-7424 | 2 | Brake Caliper ASM |
| 2 | 324-10 | 2 | Screw-HH | 16 | 120-5059 | 1 | HYD Cylinder ASM |
| 3 | | 1 | Steering Linkage ASM ● | 17 | 106-6774 | 2 | Joint-Ball |
| 4 | 119-9548 | 2 | Bearing-Ball | 19 | 302-5 | 2 | Fitting-Grease |
| 5 | 114-8296 | 1 | Link-Center | 21 | 147-2769 | 2 | Wheel And Tire ASM |
| 6 | 32120-22 | 2 | Ring-Snap, Internal | 21:1 | 147-2770 | 1 | Wheel |
| 7 | 112843 | 2 | Washer | 21:2 | 131-6670 | 1 | Tire |
| 8 | 114-8417 | 2 | Nut-HF, NI | 21:3 | 232-27 | 1 | Stem-Valve |
| 9 | 119-9513 | 1 | Knuckle-LH | 22 | 242-50 | 10 | Nut-Lug |
| 10 | 119-9514 | 1 | Knuckle-RH | 23 | 114-4681 | 2 | Screw-HHF |
| 11 | 114-8356 | 2 | Tie Rod ASM | 24 | 32151-104 | 2 | Ring-Retaining, External |
| 12 | 121-9751 | 2 | Hub-Bearing, Wheel | 25 | 32136-14 | 2 | Nut-Hst |
| 12:2 | 121-9752 | 5 | Stud-Wheel | 26 | 32136-3 | 2 | Nut-SHH |
| 13 | 3234-11 | 12 | Screw-HHF | 27 | 3272-11 | 4 | Pin-Cotter |
| 14 | 114-8351 | 2 | Rotor-Brake | 32 | 119-9509 | 2 | Screw-Bleed |

● Not serviced separately



Steering Linkage Assembly

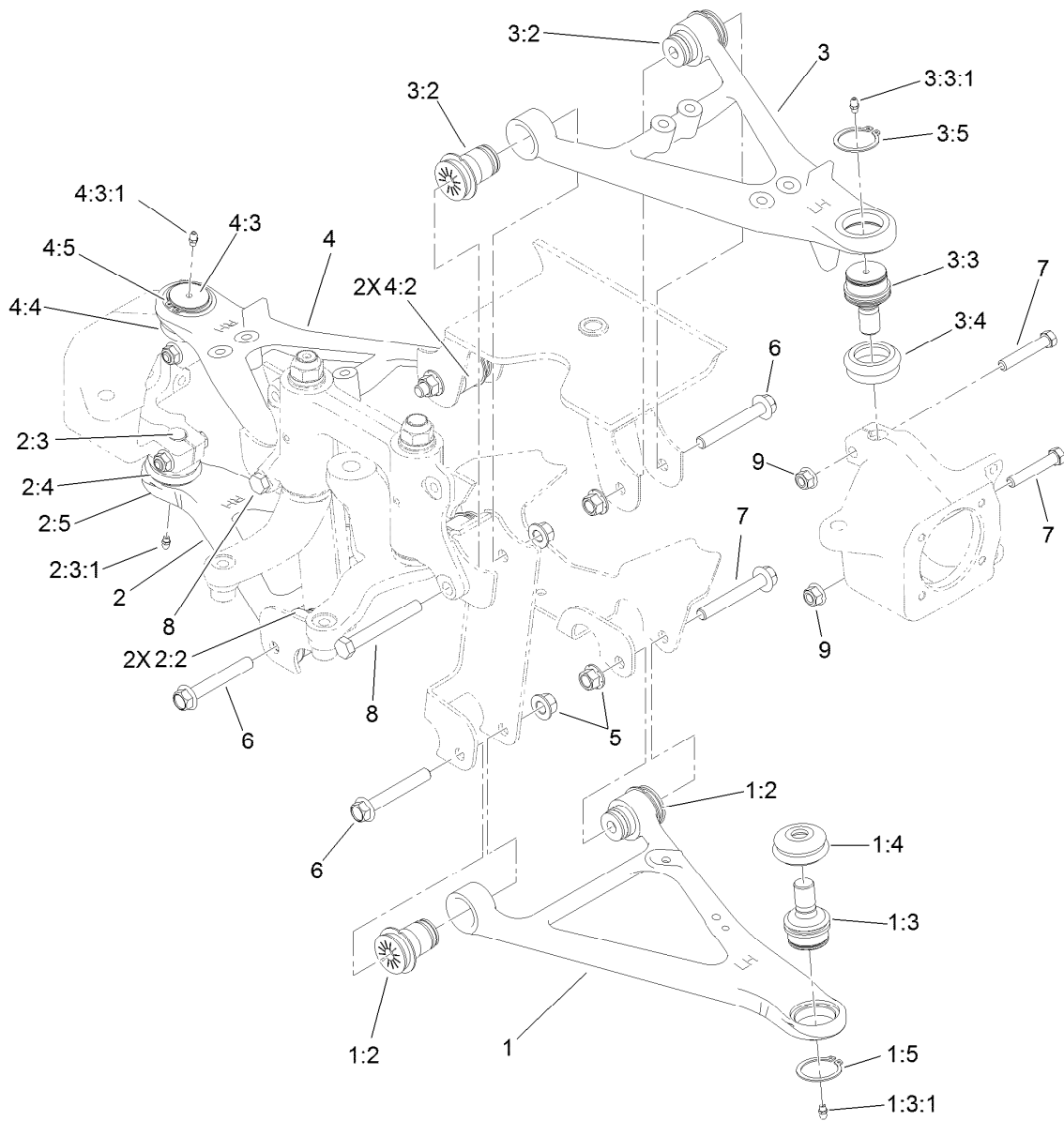
| <i>Ref.</i> | <i>Part Number</i> | <i>Qty.</i> | <i>Description</i> |
|-------------|--------------------|-------------|----------------------------------|
| 1 | 132-6767 | 1 | Mount-Pivot, W/Bushings |
| 7 | 115-2164 | 2 | Nut-Spindle |
| 9 | 302-60 | 2 | Fitting-Grease |
| 10 | 132-0794 | 1 | Idler Arm ASM |
| 10:1 | 132-0792 | 1 | Idler Arm And Thrust Washer ASM |
| 10:2 | 93-7510 | 1 | Ring-Quad |
| 10:3 | 131-3499 | 1 | O-Ring |
| 11 | 132-0795 | 1 | Pitman Arm ASM |
| 11:1 | 132-0793 | 1 | Pitman Arm And Thrust Washer ASM |
| 11:2 | 93-7510 | 1 | Ring-Quad |
| 11:3 | 131-3499 | 1 | O-Ring |



Hydraulic Cylinder Assembly No. 120-5059

| <i>Ref.</i> | <i>Part Number</i> | <i>Qty.</i> | <i>Description</i> |
|-------------|--------------------|-------------|---------------------|
| 1 | | 1 | Rod-Cylinder ● |
| 2 | | 1 | Body-Cylinder ● |
| 3 | 115-2160 | 1 | Cylinder Repair Kit |

● Not serviced separately



Front Control Arm Assembly

| Ref. | Part Number | Qty. | Description |
|-------|-------------|------|--------------------------|
| 1 | 115-2405 | 1 | Lower LH Control Arm ASM |
| 1:2 | 87-1450 | 2 | Bushing-Flange |
| 1:3 | 115-2165 | 1 | Ball Joint |
| 1:3:1 | 302-5 | 1 | Fitting-Grease |
| 1:4 | 87-2420 | 1 | Seal-Joint, Ball |
| 1:5 | 32151-104 | 1 | Ring-Retaining, External |
| 2 | 115-2407 | 1 | Lower RH Control Arm ASM |
| 2:2 | 87-1450 | 2 | Bushing-Flange |
| 2:3 | 115-2165 | 1 | Ball Joint |
| 2:3:1 | 302-5 | 1 | Fitting-Grease |
| 2:4 | 87-2420 | 1 | Seal-Joint, Ball |
| 2:5 | 32151-104 | 1 | Ring-Retaining, External |
| 3 | 115-2404 | 1 | Upper LH Control Arm ASM |
| 3:2 | 87-1450 | 2 | Bushing-Flange |
| 3:3 | 115-2165 | 1 | Ball Joint |

| Ref. | Part Number | Qty. | Description |
|-------|-------------|------|--------------------------|
| 3:3:1 | 302-5 | 1 | Fitting-Grease |
| 3:4 | 87-2420 | 1 | Seal-Joint, Ball |
| 3:5 | 32151-104 | 1 | Ring-Retaining, External |
| 4 | 115-2406 | 1 | Upper RH Control Arm ASM |
| 4:2 | 87-1450 | 2 | Bushing-Flange |
| 4:3 | 115-2165 | 1 | Ball Joint |
| 4:3:1 | 302-5 | 1 | Fitting-Grease |
| 4:4 | 87-2420 | 1 | Seal-Joint, Ball |
| 4:5 | 32151-104 | 1 | Ring-Retaining, External |
| 5 | 99-5107 | 8 | Nut-Lock |
| 6 | 114-8419 | 6 | Screw-HHF |
| 7 | 324-10 | 4 | Screw-HH |
| 8 | 325-17 | 2 | Screw-HH |
| 9 | 114-8417 | 4 | Nut-HF, NI |



Brake and Clutch Pedal Assembly

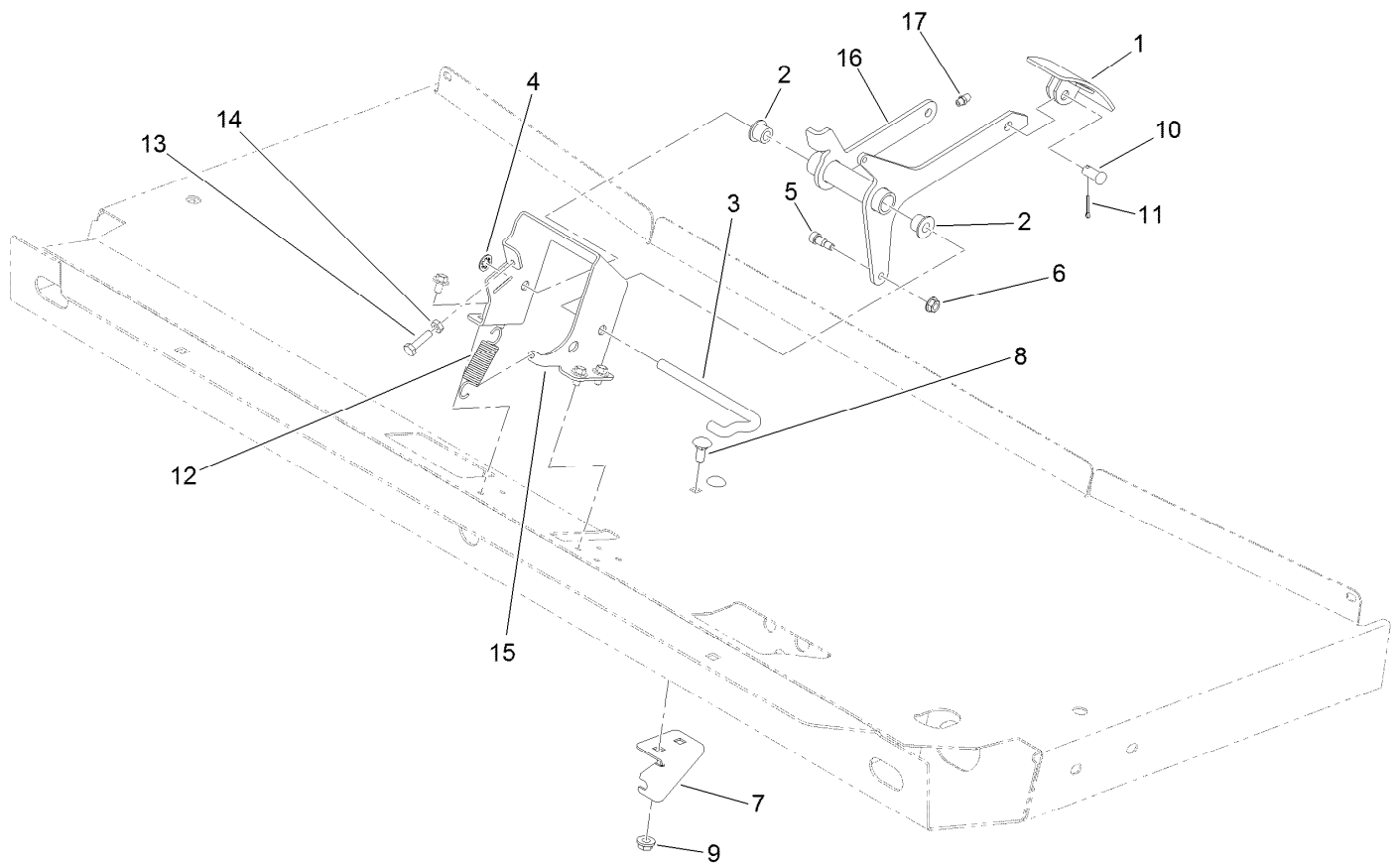
| <i>Ref.</i> | <i>Part Number</i> | <i>Qty.</i> | <i>Description</i> |
|-------------|--------------------|-------------|---------------------|
| 1 | 127-7357-03 | 1 | Pedal-Clutch |
| 2 | 115-2269 | 1 | Pin-Pivot |
| 3 | 120-5023-03 | 1 | Pedal-Brake |
| 4 | 256-156 | 4 | Bushing-Flange |
| 5 | 104-6782 | 1 | Master Cylinder ASM |
| 6 | 3234-11 | 2 | Screw-HHF |
| 7 | 104-8301 | 2 | Nut-HF, NI |
| 8 | 283-2 | 1 | Pin-Clevis |
| 9 | 3272-10 | 1 | Pin-Cotter |
| 10 | 137-6729 | 1 | Shaft-Brake |
| 11 | 63-3410 | 2 | Screw-Shoulder |

| <i>Ref.</i> | <i>Part Number</i> | <i>Qty.</i> | <i>Description</i> |
|-------------|--------------------|-------------|---------------------|
| 12 | 32128-33 | 2 | Nut-HF |
| 13 | 95-1653 | 1 | Switch-Pole, Single |
| 15 | 110-2554 | 1 | Rod End-Spherical |
| 16 | 302-5 | 1 | Fitting-Grease |
| 17 | 3256-21 | 4 | Washer-Flat |
| 18 | 3269-25 | 4 | Rivet-Pop |
| 19 | 105-0023 | 1 | Switch-Proximity |
| 20 | 115-2284 | 1 | Cable-Clutch |
| 21 | 3296-13 | 1 | Nut-Lock, NI |
| 22 | 49-2040 | 4 | Screw-HWHTF |
| 23 | 302-60 | 1 | Fitting-Grease |



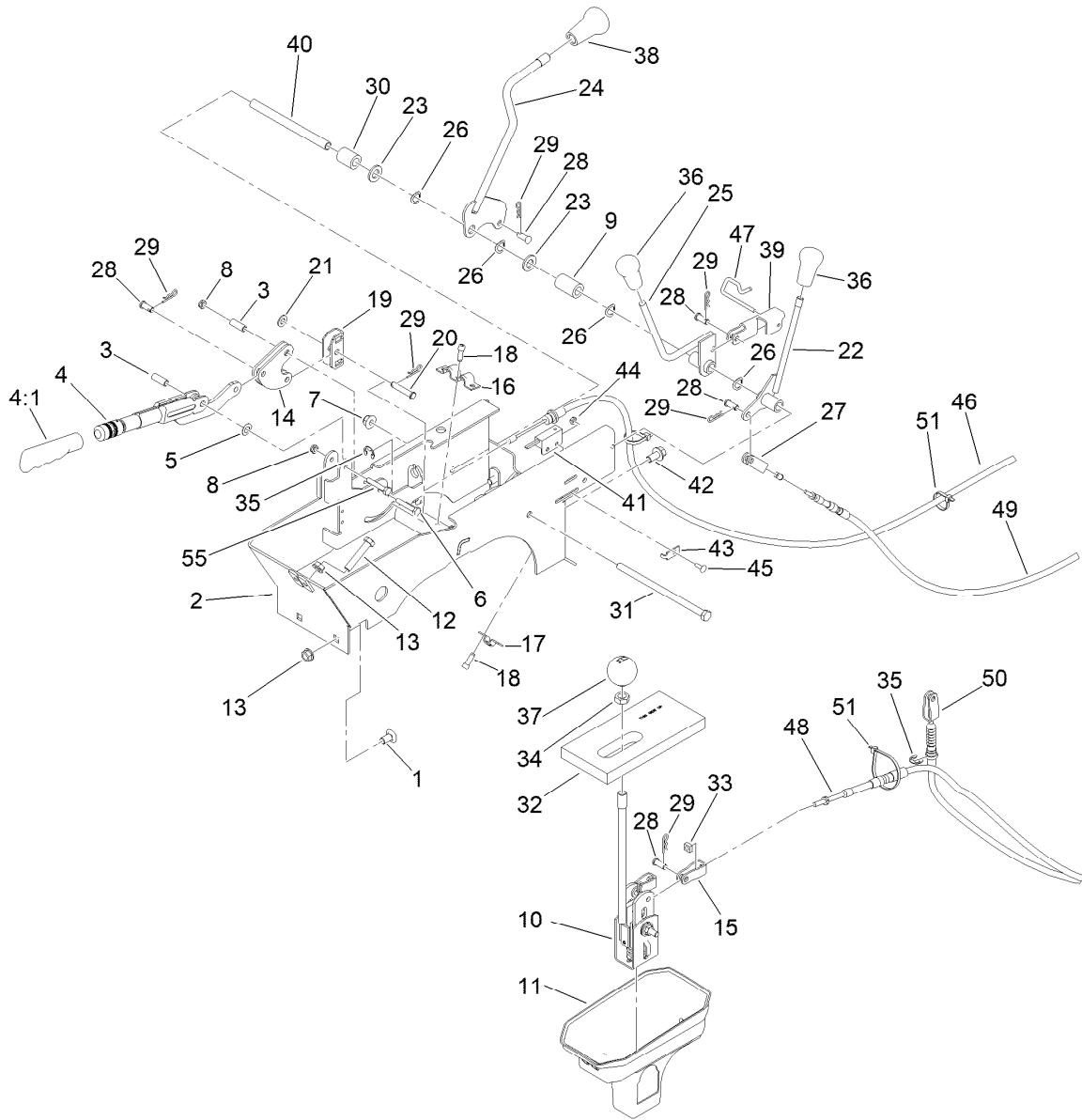
Master Cylinder Assembly No. 104-6782

| Ref. | Part Number | Qty. | Description |
|------|-------------|------|----------------------|
| 1 | 104-6845 | 1 | Reservoir ASM |
| 1:1 | 92-4112 | 1 | Cap ASM |
| 2 | 93-8971 | 2 | Seal-Port, Flange |
| 3 | 92-4103 | 1 | Pin-Stop |
| 4 | 92-4102 | 1 | Secondary Piston ASM |
| 5 | 92-4110 | 1 | Clevis |
| 6 | 21-0360 | 1 | Nut-Hex |
| 7 | 94-5209 | 1 | Cover-Dust |
| 8 | 94-5210 | 1 | Rod-Push |
| 9 | 92-4109 | 1 | Ring-Snap |
| 10 | 92-4108 | 1 | Retainer-Washer |
| 11 | 92-4101 | 1 | Primary Piston ASM |



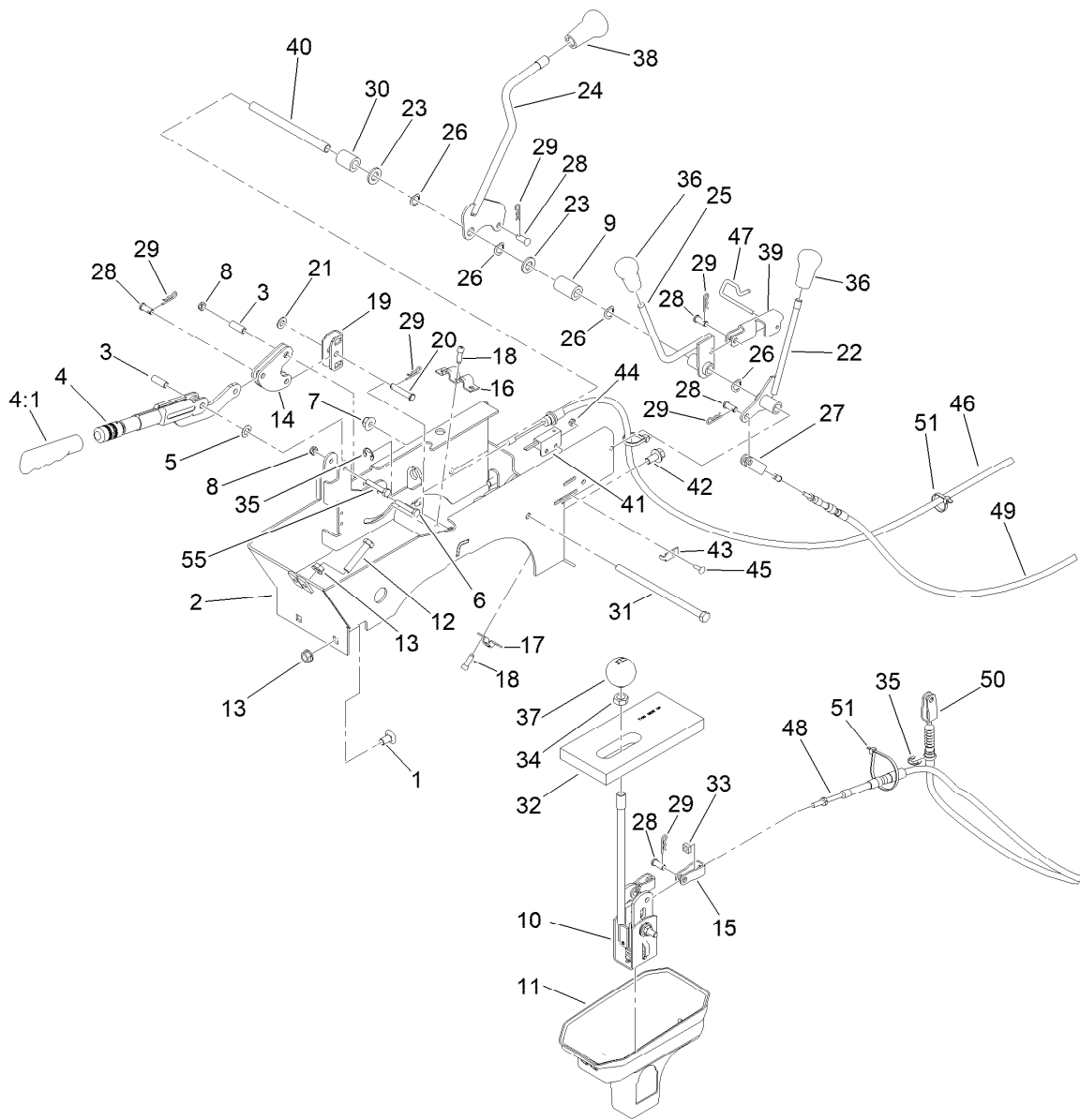
Accelerator Pedal Assembly

| <i>Ref.</i> | <i>Part Number</i> | <i>Qty.</i> | <i>Description</i> | <i>Ref.</i> | <i>Part Number</i> | <i>Qty.</i> | <i>Description</i> |
|-------------|--------------------|-------------|--------------------------|-------------|--------------------|-------------|----------------------|
| 1 | 93-8969-03 | 1 | Pedal | 10 | 283-85 | 1 | Pin-Clevis |
| 2 | 256-259 | 2 | Bushing-Flange | 11 | 3272-6 | 1 | Pin-Cotter |
| 3 | 87-2880 | 1 | Shaft-Pedal, Accelerator | 12 | 67-1450 | 1 | Spring-Idler |
| 4 | 32151-56 | 1 | Ring-Retaining, External | 13 | 321-6 | 1 | Screw-HH |
| 5 | 119-4881 | 1 | Bolt-Shoulder | 14 | 3218-1 | 1 | Nut-Jam |
| 6 | 32128-33 | 1 | Nut-HF | 15 | 127-8625-03 | 1 | Bracket-Mount, Pedal |
| 7 | 120-4982 | 1 | Bracket-Mount, Cable | 16 | 120-4983-03 | 1 | Pedal-Accelerator |
| 8 | 3230-1 | 2 | Bolt-CARR | 17 | 302-5 | 1 | Fitting-Grease |
| 9 | 32128-20 | 2 | Nut-HF | | | | |



Console Assembly

| Ref. | Part Number | Qty. | Description | Ref. | Part Number | Qty. | Description |
|------|-------------|------|--------------------------|------|-------------|------|--------------------------|
| 1 | 3231-21 | 2 | Screw-CARR | 21 | 3256-23 | 1 | Washer-Plain |
| 2 | 108-6914-03 | 1 | Support-Lever | 22 | 106-7828 | 1 | Lever |
| 3 | 114402 | 2 | Spacer | 23 | 33096-00 | 2 | Washer-Flat |
| 4 | 127-8863 | 1 | Lever-Brake, Park | 24 | 131-3479 | 1 | Lever-Lock, Differential |
| 4:1 | 127-8864 | 1 | Grip-Handle | 25 | 106-7960 | 1 | Lever-HYD |
| 5 | 3290-477 | 1 | Washer-Curved | 26 | 3290-221 | 4 | Washer-Spring |
| 6 | 321-37 | 1 | Screw-HH | 27 | 87-7160 | 1 | Clevis-Cable |
| 7 | 104-8301 | 1 | Nut-HF, NI | 28 | 283-62 | 6 | Pin-Clevis |
| 8 | 3296-56 | 2 | Nut-Lock, NI | 29 | 3290-307 | 7 | Pin-Cotter |
| 9 | 120-5037 | 1 | Spacer | 30 | 66-6501 | 1 | Spacer-Wheel |
| 10 | 106-7887 | 1 | Shift ASM | 31 | 323-36 | 1 | Screw-HH |
| 11 | 106-2376 | 1 | Boot-Shift, Lower | 32 | 87-6570 | 1 | Seal-Boot, Lower |
| 12 | 323-10 | 2 | Screw-HH | 33 | 140-4804 | 2 | Nut-Square |
| 13 | 3290-357 | 4 | Nut-HSF | 34 | 3218-18 | 1 | Nut-Jam |
| 14 | 106-7814 | 2 | Bellcrank | 35 | 32120-47 | 3 | Ring-Retaining, External |
| 15 | 87-2310 | 2 | Clevis-Cable | 36 | 106-7903 | 2 | Knob-Control |
| 16 | 87-4960 | 1 | Clamp-Cable | 37 | 87-6720 | 1 | Knob-Shift |
| 17 | 87-4340 | 1 | Clamp-Cable | 38 | 106-7952 | 1 | Knob |
| 18 | 65-5221 | 5 | Screw-Hshtf | 39 | 115-2250 | 1 | Link |
| 19 | 87-3480 | 1 | Bracket-Equalizer, Cable | 40 | 106-7833 | 1 | Spacer |
| 20 | 94-3829 | 1 | Pin-Clevis | 41 | 100-1270 | 1 | Switch-Proximity |



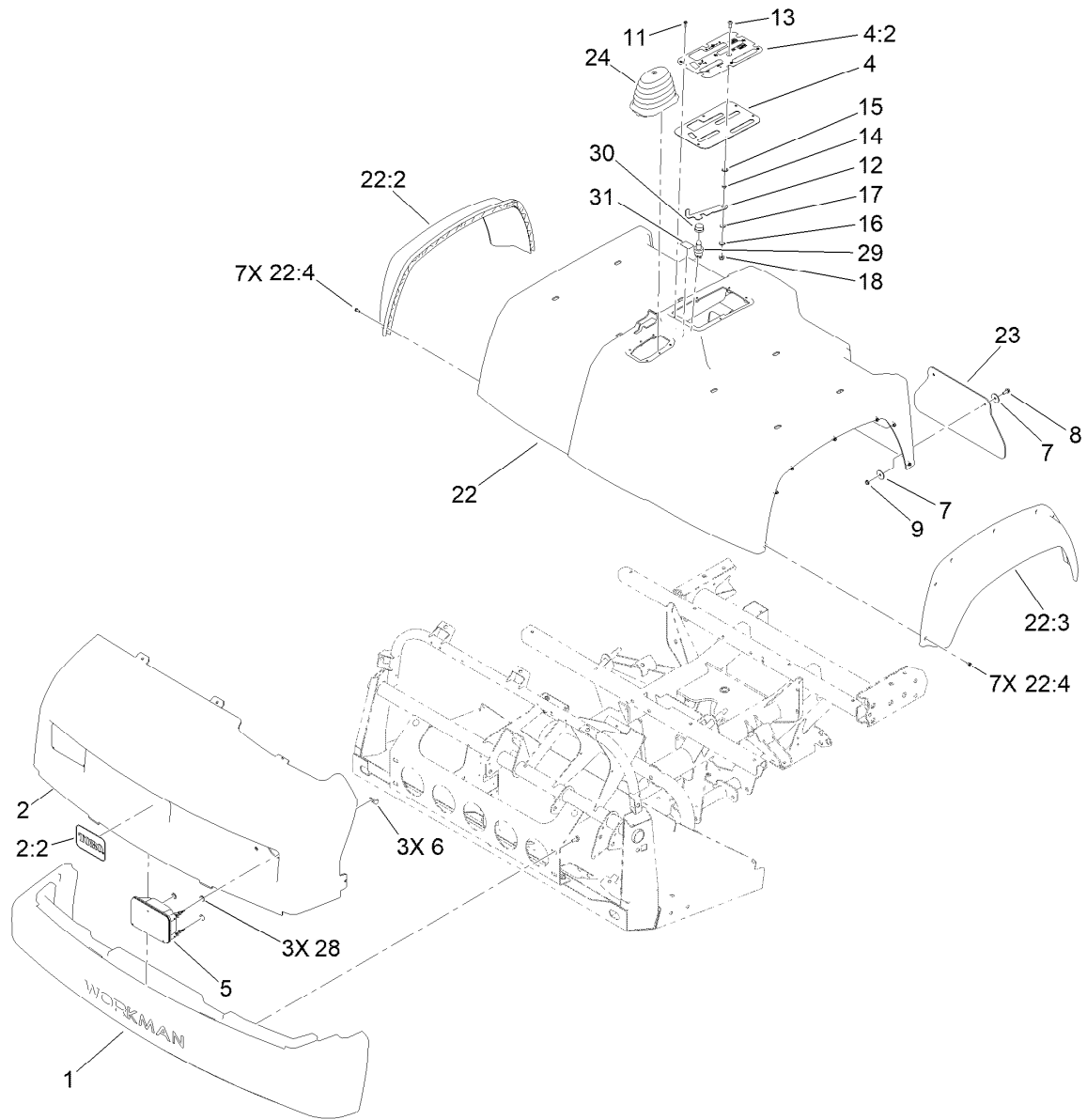
Console Assembly (continued)

| <i>Ref.</i> | <i>Part Number</i> | <i>Qty.</i> | <i>Description</i> | <i>Ref.</i> | <i>Part Number</i> | <i>Qty.</i> | <i>Description</i> |
|-------------|--------------------|-------------|-----------------------|-------------|--------------------|-------------|--------------------------|
| 42 | 3234-12 | 2 | Screw-HHF | 48 | 115-7811 | 2 | Cable-Selector, Gear |
| 43 | 100-4872 | 1 | Plate-Switch, Neutral | 49 | 115-7812 | 1 | Cable-Hi Low |
| 44 | 3296-2 | 1 | Nut-Lock, NI | 50 | 115-2287 | 1 | Cable-Lock, Differential |
| 45 | 3229-34 | 1 | Screw-CARR | 51 | 3290-379 | 5 | Tie-Cable |
| 46 | 115-2283 | 2 | Cable-Brake, Park | 55 | 321-9 | 1 | Screw-HH |
| 47 | 115-2350 | 1 | Pin-Retainer | | | | |



Shift Assembly No. 106-7887

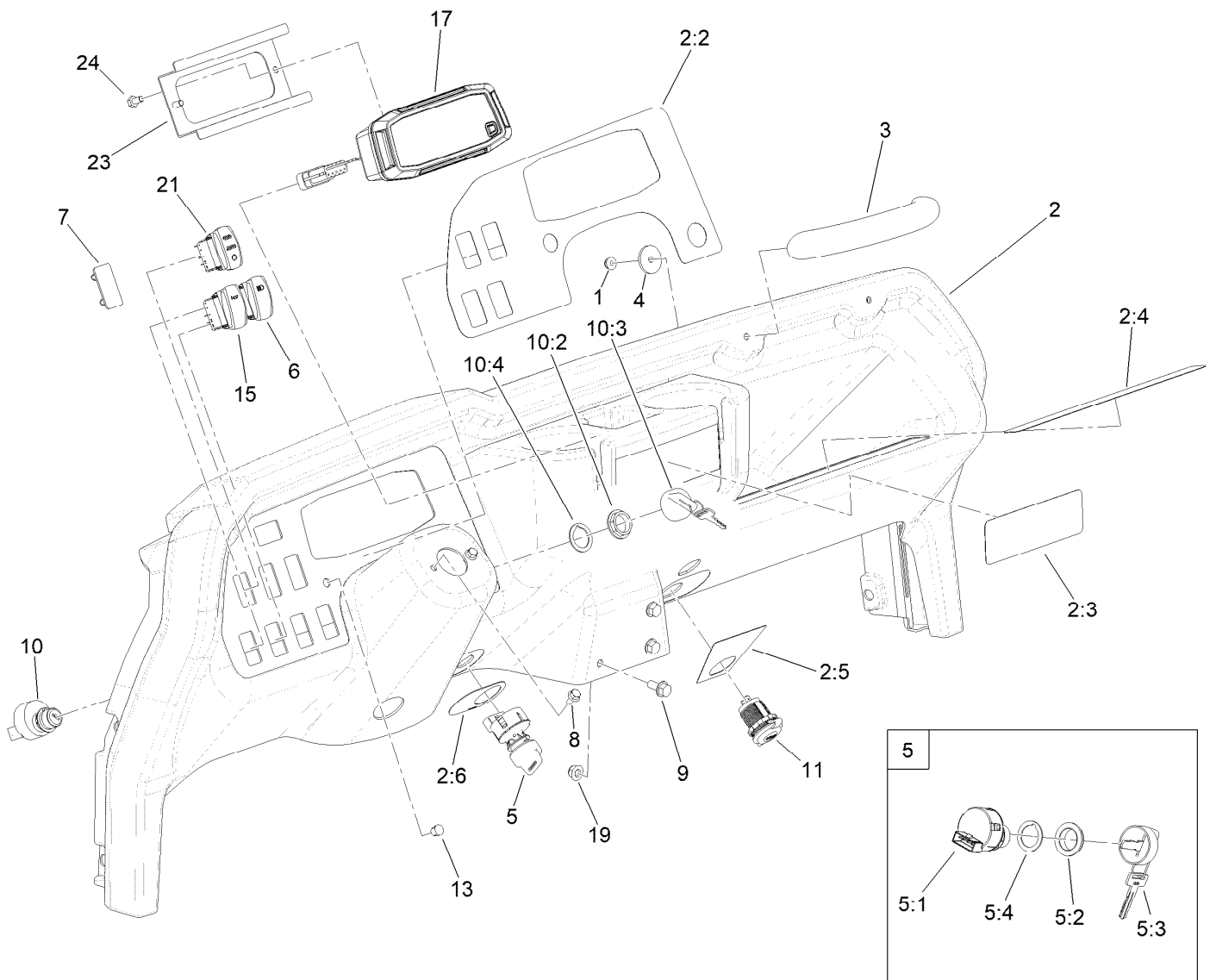
| <i>Ref.</i> | <i>Part Number</i> | <i>Qty.</i> | <i>Description</i> |
|-------------|--------------------|-------------|--------------------|
| 1 | 131-3469 | 1 | Lever-Shift |
| 2 | 87-3650 | 1 | Pin-Shift |
| 3 | 87-3540 | 2 | Link-Shift |
| 4 | 87-2520 | 1 | Tube-Pivot |
| 5 | 87-2900 | 1 | Spring-Compression |
| 6 | 87-8640 | 1 | Washer-Flat |
| 7 | 322-12 | 1 | Screw-HH |
| 8 | 87-3530 | 1 | Button-Shifter |
| 9 | 87-3660 | 1 | Spring-Compression |
| 10 | 3290-507 | 1 | Pin-Dowel |
| 11 | 87-3520 | 1 | Clevis |
| 12 | 32121-48 | 1 | Pin-Spring |
| 13 | 87-6040 | 1 | Bracket-Shifter |
| 14 | 3290-456 | 2 | Washer-Belleville |
| 15 | 104-8300 | 1 | Nut-HF, NI |



Bumper, Hood and Seat Base Assembly

| Ref. | Part Number | Qty. | Description |
|------|-------------|------|-------------------|
| 1 | 112-3185 | 1 | Bumper |
| 2 | 145-2284 | 1 | Hood ASM |
| 2:2 | 117-4950 | 1 | Decal |
| 4 | 106-7886 | 1 | Control Plate ASM |
| 4:2 | 106-2377 | 1 | Decal-Console |
| 5 | 138-9260 | 2 | Headlight ASM |
| 6 | 114-8341 | 6 | Clip-Speed |
| 7 | 3256-55 | 8 | Washer-Flat |
| 8 | 3234-4 | 4 | Screw-HHF |
| 9 | 104-7201 | 4 | Nut-HF, NI |
| 11 | 98-1375 | 6 | Screw-HWH |
| 12 | 106-7984 | 1 | Lever-Detent |
| 13 | 3274-55 | 1 | Screw-HSBH |
| 14 | 82-4240 | 1 | Spacer-Bearing |

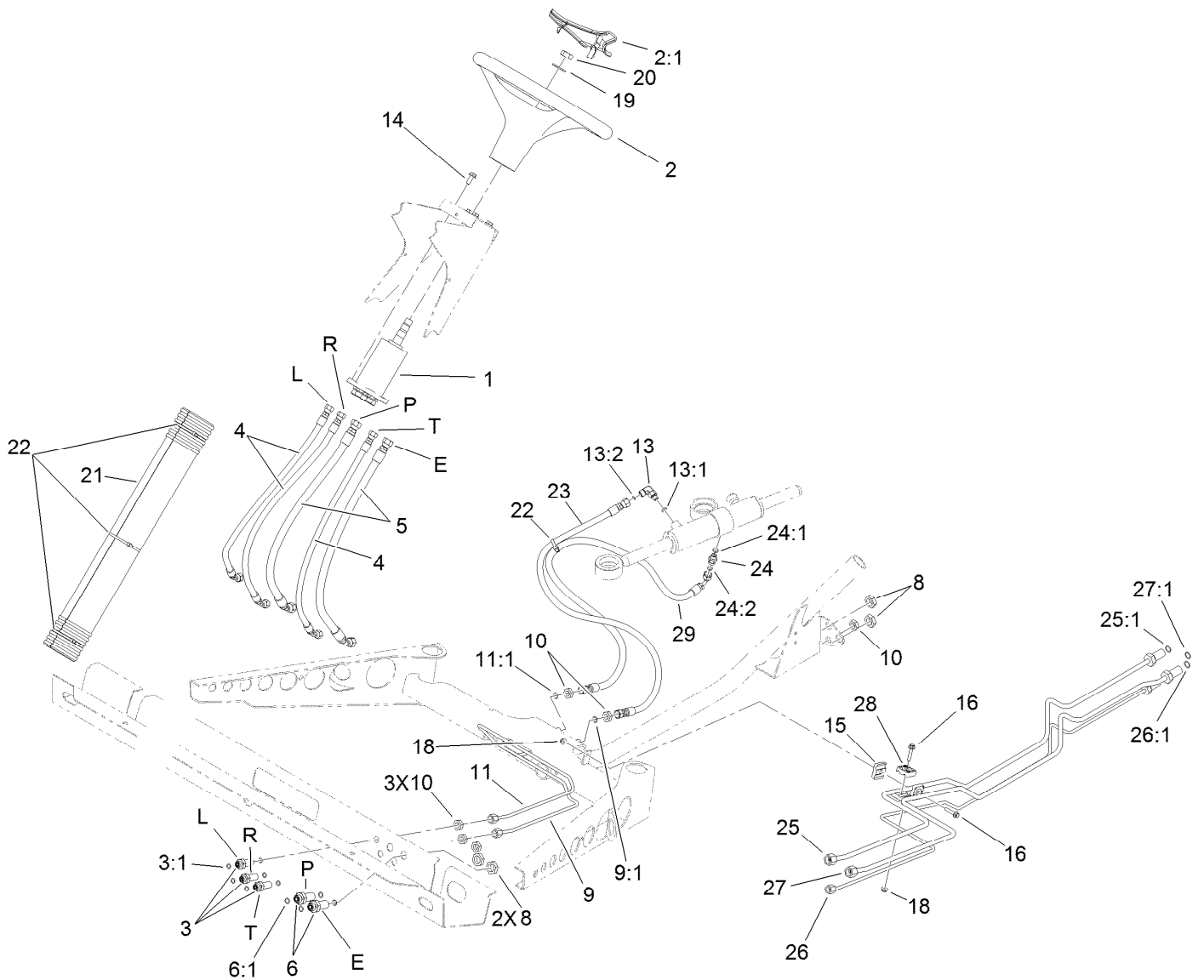
| Ref. | Part Number | Qty. | Description |
|------|-------------|------|--------------------|
| 15 | 94-8196 | 1 | Washer-Nylon |
| 16 | 3290-221 | 1 | Washer-Spring |
| 17 | 3256-23 | 1 | Washer-Plain |
| 18 | 104-8300 | 1 | Nut-HF, NI |
| 22 | 133-0566 | 1 | Seatbase ASM |
| 22:2 | 114-8407 | 1 | Fender-Front, RH |
| 22:3 | 114-8408 | 1 | Fender-Front, LH |
| 22:4 | 117-5036 | 14 | Screw-Plastic, HWH |
| 23 | 106-2378 | 2 | Mudflap |
| 24 | 117-8063 | 1 | Boot-Shift |
| 28 | 112-6957 | 6 | Washer-Hardened |
| 29 | 112-3324 | 1 | Switch-Horn |
| 30 | 112-3313 | 1 | Nut-Weatherproof |
| 31 | 137-9896 | 1 | Decal-4X4 Enable |



Dash Assembly

| Ref. | Part Number | Qty. | Description | Ref. | Part Number | Qty. | Description |
|------|-------------|------|----------------------------|------|-------------|------|------------------------------|
| 1 | 104-7201 | 2 | Nut-HF, NI | 7 | 99-7420 | 1 | Plug-Hole |
| 2 | 145-2283 | 1 | Dash ASM | 8 | 33103-012 | 2 | Screw-HHF |
| 2:2 | 145-2276 | 1 | Decal-Control Panel, HD | 9 | 3234-5 | 3 | Screw-HHF |
| 2:3 | 121-9776 | 1 | Decal-Danger, Vehicle (CE) | 10 | 106-5269 | 1 | Ignition Switch ASM |
| 2:4 | 115-2282 | 1 | Decal-Warning, Dash | 10:2 | 108-8660 | 1 | Nut-Mounting |
| 2:5 | 145-2282 | 1 | Decal-USB | 10:3 | 106-5270 | 1 | Ignition Key Set |
| 2:6 | 106-2355 | 1 | Decal-Switch, Supervisor | 10:4 | 108-8659 | 1 | Washer-Backup |
| 3 | 117-4948 | 1 | Handle-Grab | 11 | 131-8388 | 1 | Socket-USB |
| 4 | 103995 | 2 | Washer | 13 | 104-9368 | 1 | Plug-Dome |
| 5 | 110-2580 | 1 | Switch-Key, Supervisor | 15 | 144-2415 | 1 | Switch-Rocker, (On)-None-Off |
| 5:1 | | 1 | Switch-Key ● | 17 | 145-2080 | 1 | Cluster-Instrument |
| 5:2 | 108-8660 | 1 | Nut-Mounting | 19 | 104-8300 | 3 | Nut-HF, NI |
| 5:3 | 110-5221 | 1 | Set-Key, Supervisor | 21 | 145-2086 | 1 | Switch-Rocker, (On)-On-Off |
| 5:4 | 108-8659 | 1 | Washer-Backup | 23 | 140-4556-0P | 1 | Retainer-Display |
| 6 | 144-2405 | 1 | Switch-Rocker, On-None-On | 24 | 321-2 | 2 | Screw-HH |

● Not serviced separately



Steering Hydraulic Assembly

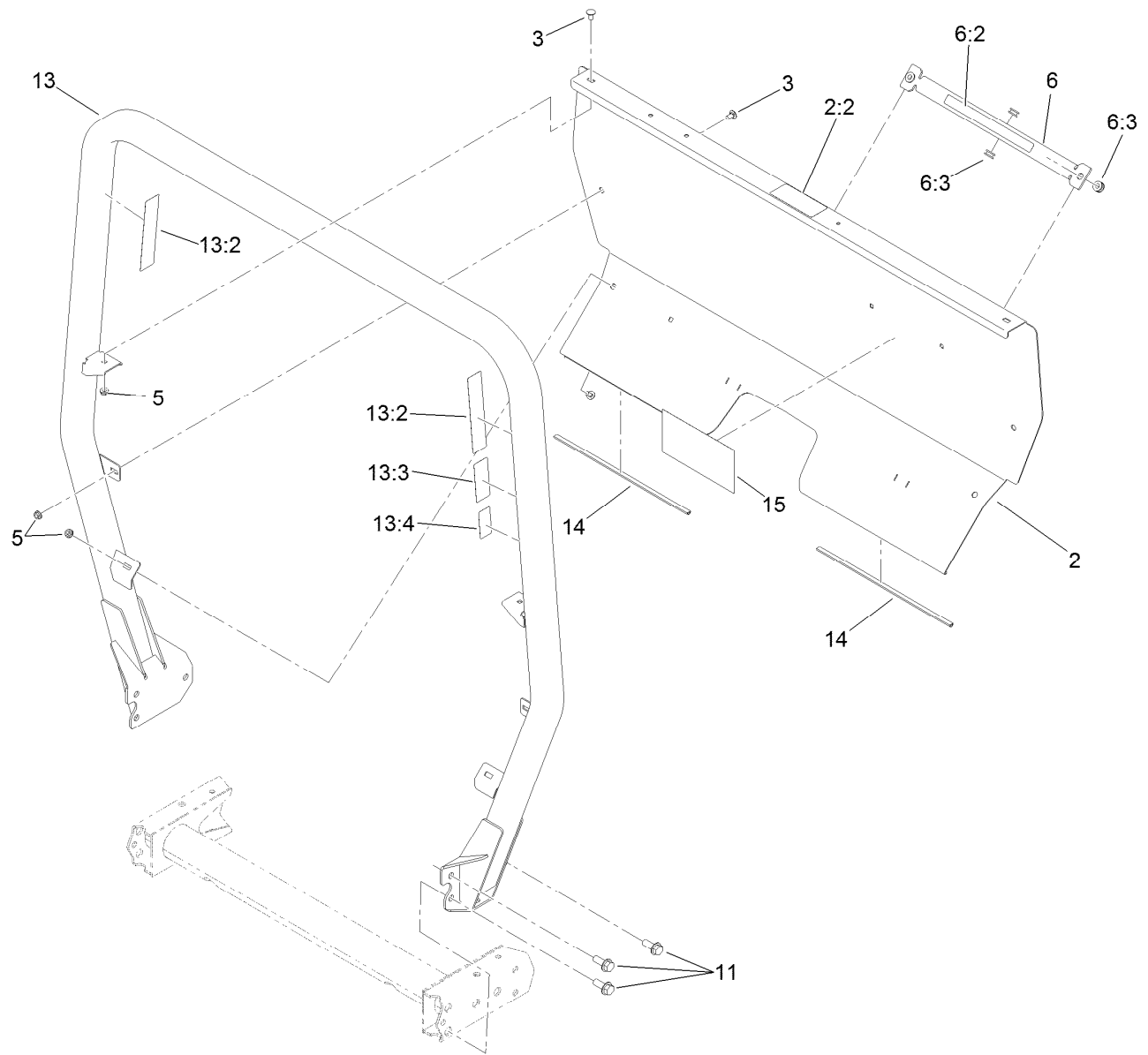
| Ref. | Part Number | Qty. | Description | Ref. | Part Number | Qty. | Description |
|------|-------------|------|----------------------------|------|-------------|------|-----------------------|
| 1 | 120-4813 | 1 | Pump-Steering | 15 | 106-7839 | 2 | Clamp-Tube |
| 2 | 98-1471 | 1 | Wheel-Steering | 16 | 3234-21 | 2 | Screw-HHF |
| 2:1 | 98-1468 | 1 | Cover-Wheel, Steering | 18 | 104-7201 | 2 | Nut-HF, NI |
| 3 | 94-1444 | 3 | Union-Bulkhead | 19 | 3256-27 | 1 | Washer-Flat |
| 3:1 | 237-21 | 2 | O-Ring | 20 | 3296-33 | 1 | Nut-Lock, NI |
| 4 | 106-7974 | 3 | Hose-HYD | 21 | 106-6713 | 1 | Cover-Lines, Steering |
| 5 | 106-7975 | 2 | Hose-HYD | 22 | 3290-379 | 4 | Tie-Cable |
| 6 | 340-71 | 2 | Fitting-Straight, Bulkhead | 23 | 108-6505 | 1 | Hose-HYD |
| 6:1 | 237-22 | 2 | O-Ring | 24 | 340-92 | 1 | Fitting-Straight |
| 8 | 340-70 | 4 | Nut-Lock | 24:1 | 237-78 | 1 | O-Ring |
| 9 | 106-7804 | 1 | Tube-HYD | 24:2 | 237-21 | 1 | O-Ring |
| 9:1 | 237-21 | 1 | O-Ring | 25 | 115-7701 | 1 | Tube-HYD |
| 10 | 3219-10 | 6 | Nut-Hex | 25:1 | 237-22 | 1 | O-Ring |
| 11 | 106-7806 | 1 | Tube-HYD | 26 | 115-7702 | 1 | Tube-HYD |
| 11:1 | 237-21 | 1 | O-Ring | 26:1 | 237-22 | 1 | O-Ring |
| 13 | 340-132 | 1 | Fitting-Elbow, 90 DEG | 27 | 115-7703 | 1 | Tube-HYD |
| 13:1 | 237-78 | 1 | O-Ring | 27:1 | 237-21 | 1 | O-Ring |
| 13:2 | 237-21 | 1 | O-Ring | 28 | 56-7973 | 2 | Clamp-Tube |
| 14 | 98-7977 | 4 | Screw-HHF | 29 | 117-4861 | 1 | Hose-HYD |



Steering Valve Assembly No. 120-4813

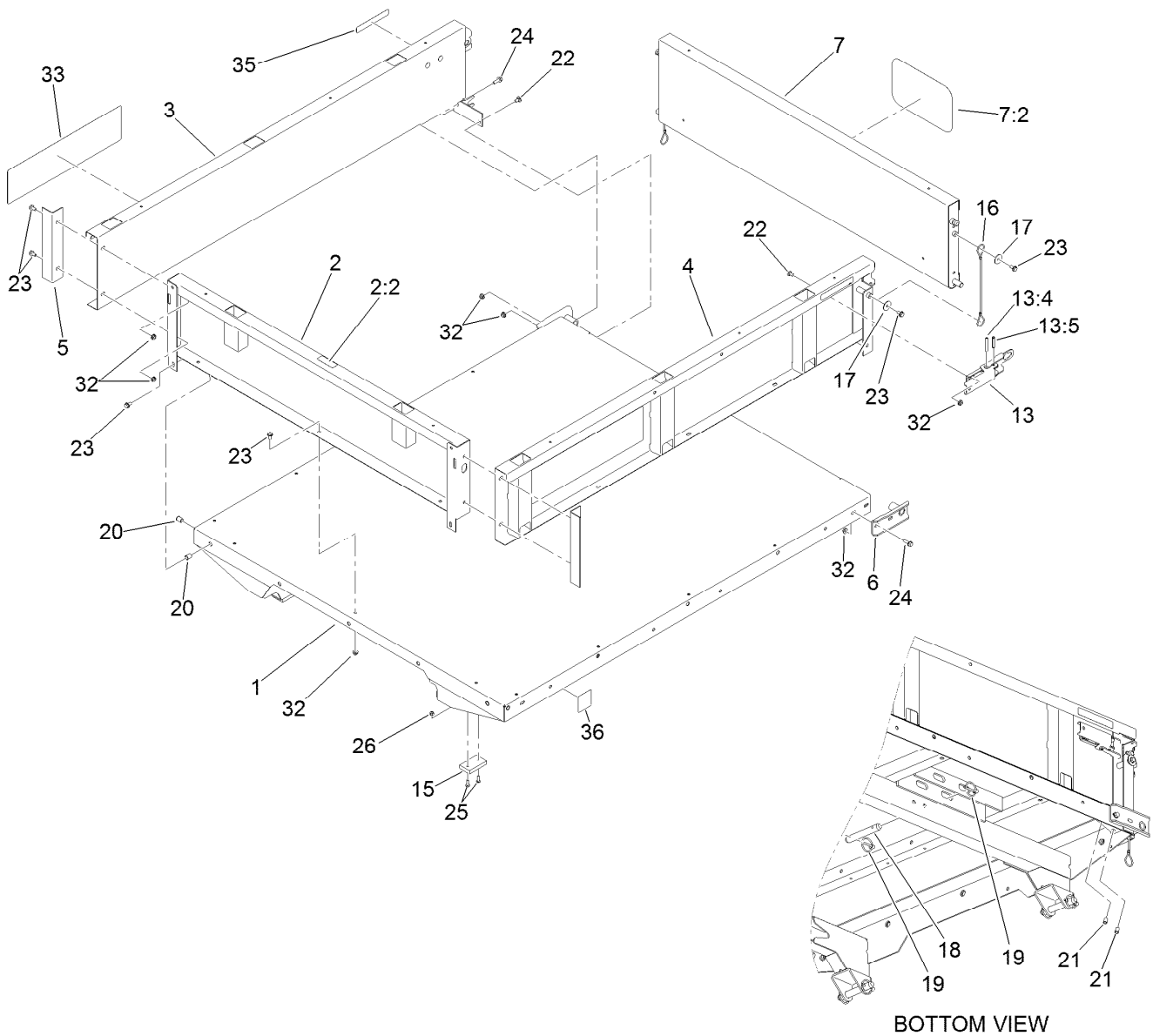
| <i>Ref.</i> | <i>Part Number</i> | <i>Qty.</i> | <i>Description</i> |
|-------------|--------------------|-------------|--------------------|
| 1 | 106-6716 | 1 | Seal Kit |
| 1:1 | | 1 | Ring-Seal, Dust ● |
| 1:2 | | 1 | Seal-Shaft ● |
| 1:3 | | 1 | O-Ring ● |
| 1:4 | | 2 | O-Ring ● |
| 1:5 | | 5 | O-Ring ● |

● Not serviced separately



Roll-Over Protection System Assembly

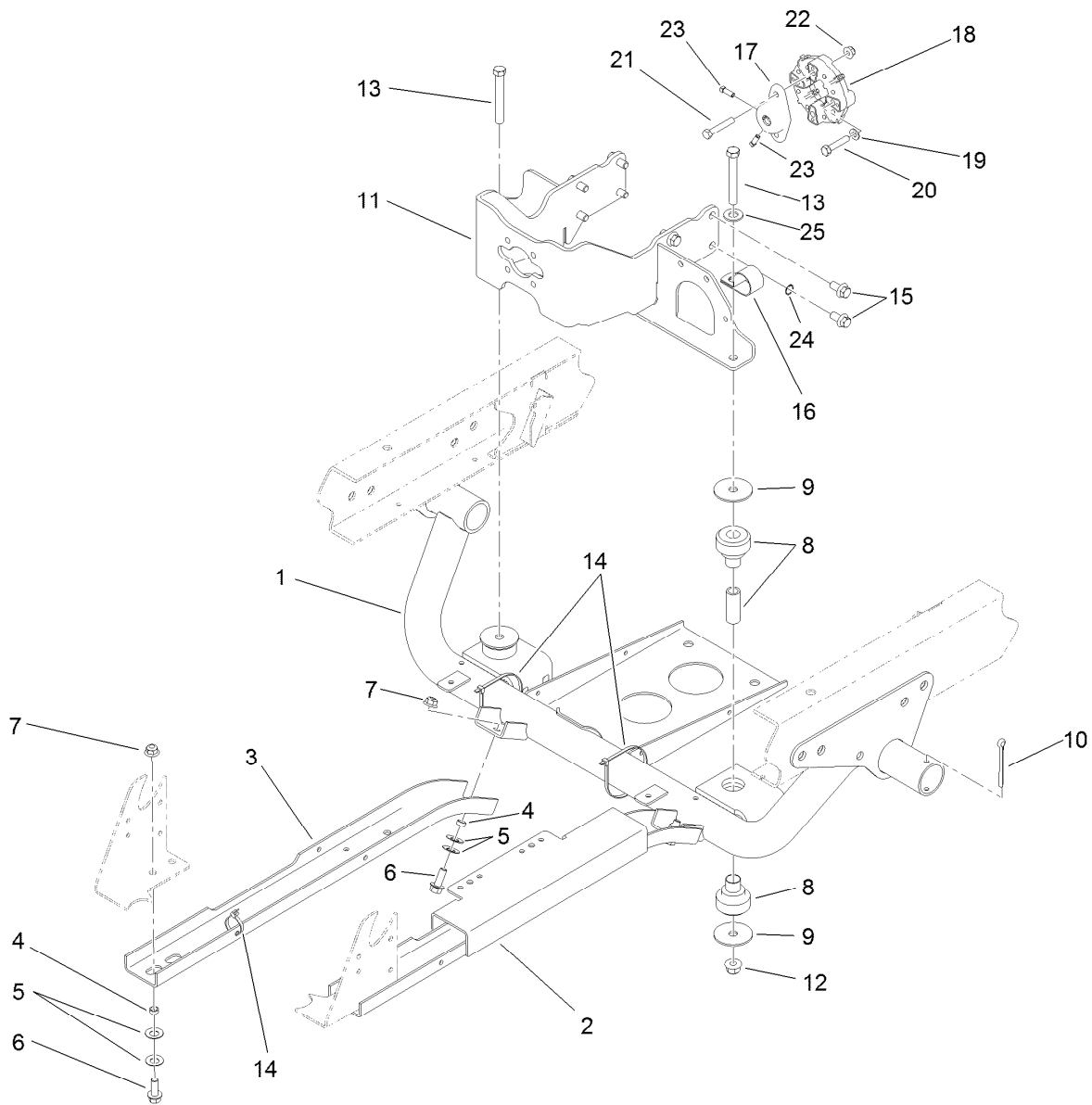
| <i>Ref.</i> | <i>Part Number</i> | <i>Qty.</i> | <i>Description</i> |
|-------------|--------------------|-------------|------------------------|
| 2 | 115-2213 | 1 | ROPS Cover ASM |
| 2:2 | 105-4215 | 1 | Decal-Caution |
| 3 | 3230-18 | 6 | Screw-CARR |
| 5 | 32128-20 | 6 | Nut-HF |
| 6 | 105-7960 | 1 | Bed Support ASM |
| 6:2 | 93-9852 | 1 | Decal-Warning |
| 6:3 | 92-5972 | 4 | Grommet-Rubber |
| 11 | 3234-38 | 6 | Screw-HHF |
| 13 | 115-7910 | 1 | ROPS ASM |
| 13:2 | 106-7767 | 2 | Decal-ROPS |
| 13:3 | 93-9850 | 1 | Decal-ROPS, CE |
| 13:4 | 117-4969 | 1 | Decal-ROPS, ISO |
| 14 | 127-7382 | 2 | Seal-ROPS |
| 15 | 115-7814 | 1 | Decal-Reference, Quick |



Full Bed and Side Panel Assembly

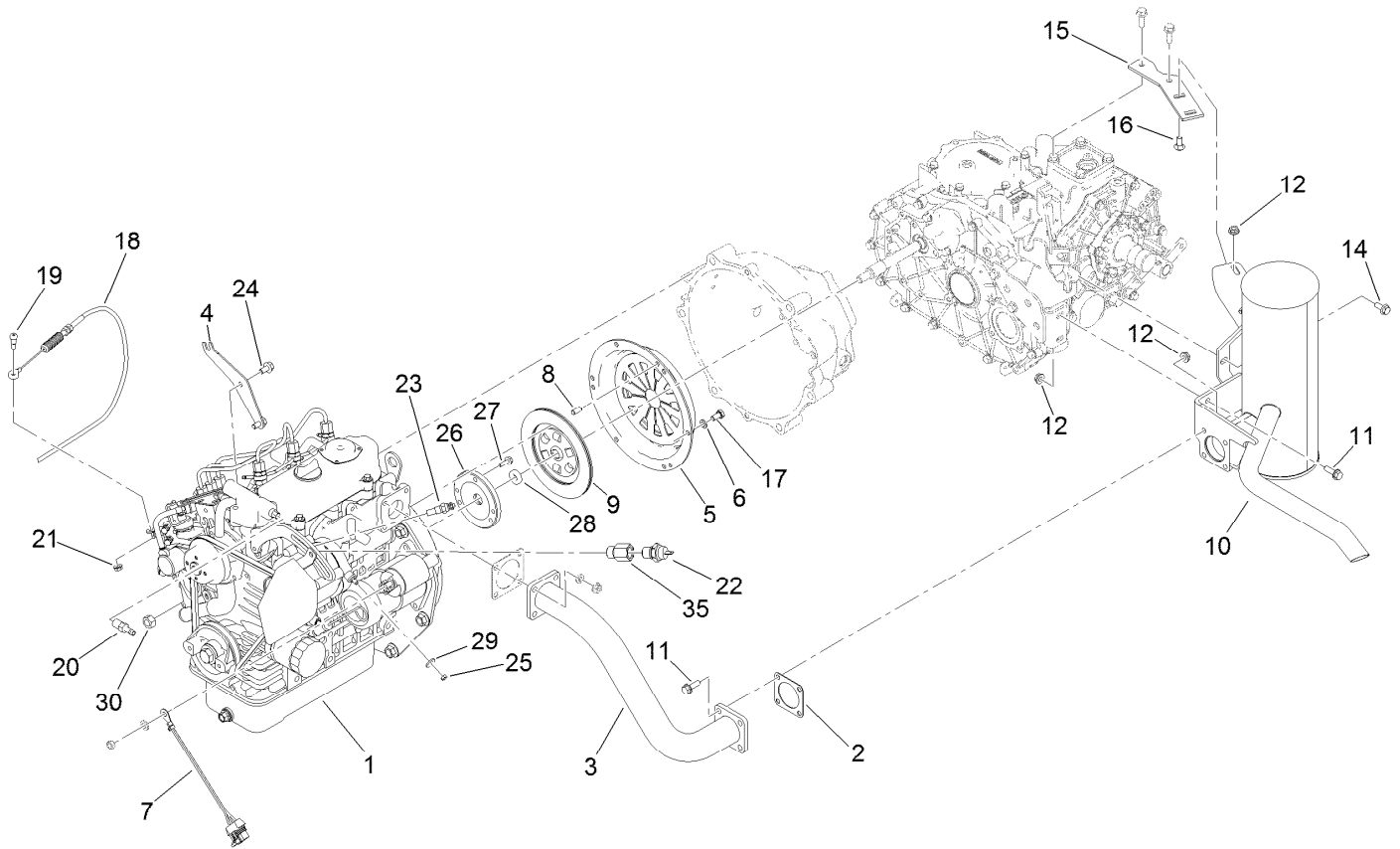
| Ref. | Part Number | Qty. | Description |
|------|-------------|------|-----------------|
| 1 | 138-5675 | 1 | Flatbed ASM |
| 2 | 133-0645 | 1 | Front Panel ASM |
| 2:2 | 115-7739 | 1 | Decal-No Riders |
| 3 | 133-0617 | 1 | Panel-Side, RH |
| 4 | 133-0616 | 1 | Panel-Side, LH |
| 5 | 92-1320-03 | 2 | Angle-Side |
| 6 | 92-1265-03 | 2 | Bracket-Pivot |
| 7 | 133-0644 | 1 | Tailgate |
| 7:2 | 105-4222 | 1 | Decal |
| 13 | 140-4795 | 2 | Latch ASM |
| 13:4 | 32121-78 | 1 | Pin-Roll |
| 13:5 | 32121-25 | 1 | Pin-Roll |
| 15 | 93-9719 | 2 | Block-Wear |
| 16 | 93-9595 | 2 | Lanyard |

| Ref. | Part Number | Qty. | Description |
|------|-------------|------|---------------|
| 17 | 3256-57 | 4 | Washer-Flat |
| 18 | 92-1233 | 4 | Pin-Clevis |
| 19 | 92-1298 | 8 | Pin-Lynch |
| 20 | 32148-7 | 4 | Nut-Clinch |
| 21 | 32148-6 | 4 | Nut-Clinch |
| 22 | 3230-18 | 6 | Screw-CARR |
| 23 | 3234-7 | 21 | Screw-HHF |
| 24 | 3234-29 | 6 | Screw-HHF |
| 25 | 3250-45 | 4 | Screw-SPH |
| 26 | 3296-42 | 4 | Nut-Lock, NI |
| 32 | 32128-20 | 27 | Nut-HF |
| 33 | 115-7917 | 2 | Decal |
| 35 | 93-9868 | 2 | Decal-Caution |
| 36 | 93-9899 | 2 | Decal-Warning |



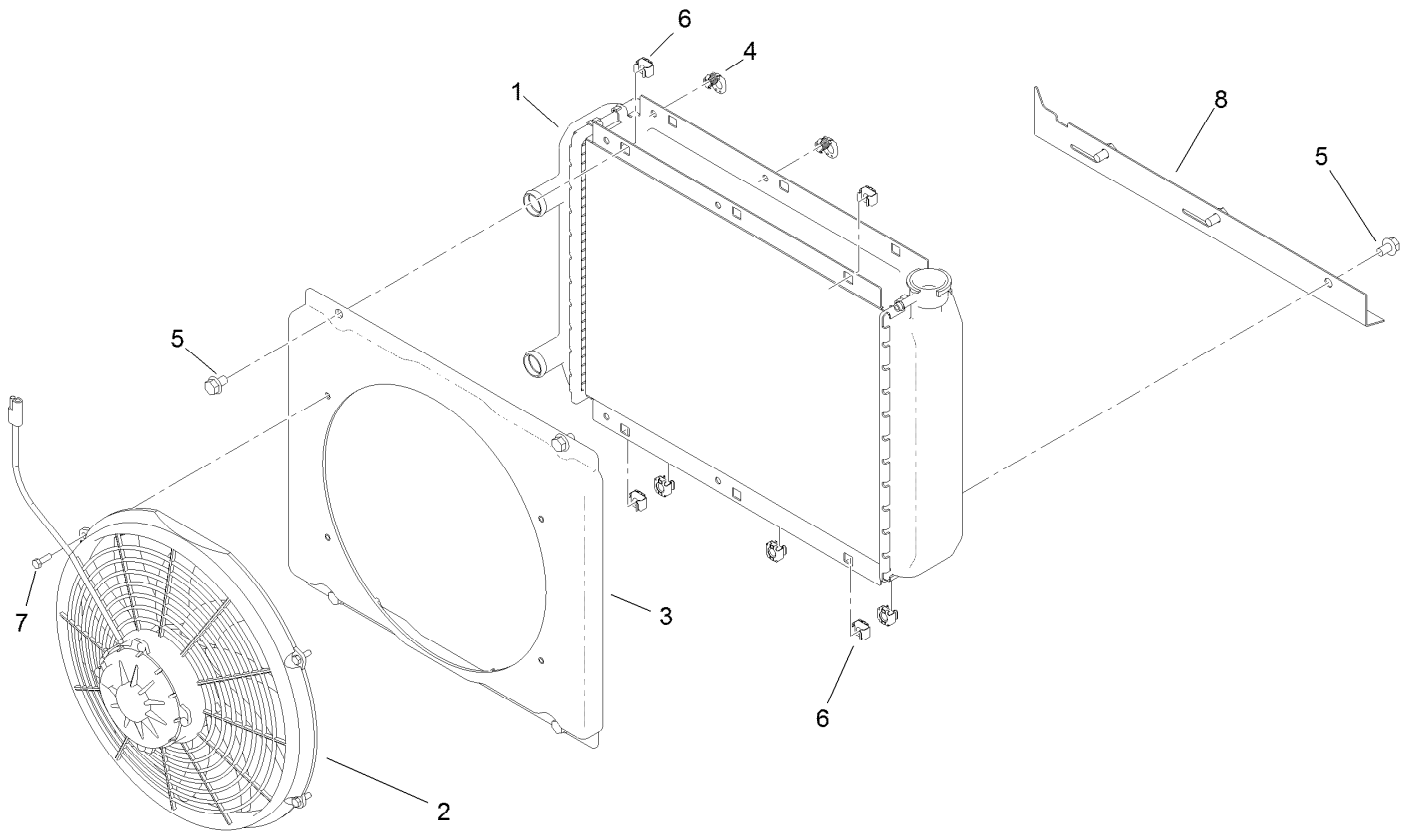
Engine Sub Frame Assembly

| <i>Ref.</i> | <i>Part Number</i> | <i>Qty.</i> | <i>Description</i> | <i>Ref.</i> | <i>Part Number</i> | <i>Qty.</i> | <i>Description</i> |
|-------------|--------------------|-------------|-----------------------------------|-------------|--------------------|-------------|--------------------|
| 1 | 119-9679-03 | 1 | Support-Engine | 13 | 324-13 | 2 | Screw-HH |
| 2 | 115-2215-03 | 1 | Guard-LH | 14 | 3290-379 | 4 | Tie-Cable |
| 3 | 87-4730-03 | 1 | Guard-Belly | 15 | 120-4839 | 8 | Screw-HHF |
| 4 | 76-9100 | 6 | Spacer | 16 | 2412-82 | 1 | Clamp-R |
| 5 | 3290-413 | 12 | Washer-Belleville | 17 | 115-2169 | 1 | Hub-Pump |
| 6 | 3234-11 | 6 | Screw-HHF | 18 | 119-0652 | 1 | Coupler-Rubber |
| 7 | 104-8301 | 6 | Nut-HF, NI | 19 | 3256-23 | 2 | Washer-Plain |
| 8 | 106-7865 | 2 | Mount-Engine | 20 | 33114-040 | 2 | Screw-HH |
| 9 | 87-5100 | 4 | Washer-Snubbing | 21 | 322-21 | 2 | Screw-HH |
| 10 | 3272-37 | 2 | Pin-Cotter | 22 | 104-8300 | 2 | Nut-HF, NI |
| 11 | 121-6259-0P | 1 | Engine Pump Mount ASM [primed] | 23 | 3241-6 | 2 | Screw-SQH |
| 12 | 114-8417 | 2 | Nut-HF, NI | 24 | 3254-20 | 1 | Washer-Lock, Int |
| | | | | 25 | 3256-26 | 1 | Washer-Flat |



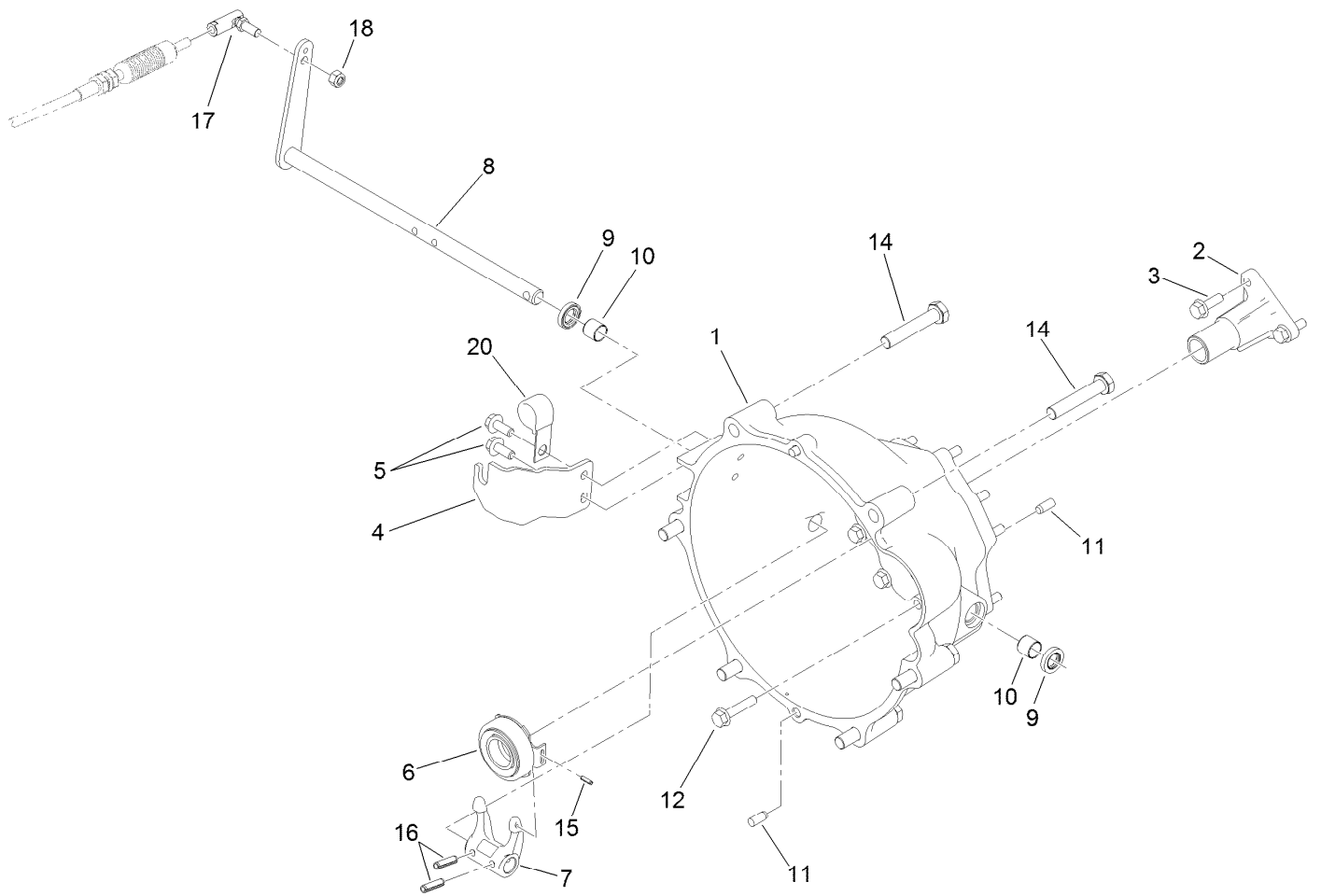
Engine Assembly

| <i>Ref.</i> | <i>Part Number</i> | <i>Qty.</i> | <i>Description</i> | <i>Ref.</i> | <i>Part Number</i> | <i>Qty.</i> | <i>Description</i> |
|-------------|--------------------|-------------|----------------------------|-------------|--------------------|-------------|---------------------------|
| 1 | 138-6904 | 1 | Engine-Kubota, D902 | 17 | 33114-016 | 6 | Screw-HH |
| 2 | 105-4209 | 1 | Gasket-Muffler | 18 | 120-4980 | 1 | Cable-Throttle |
| 3 | 119-0860 | 1 | Tube-Exhaust | 19 | 119-4881 | 1 | Bolt-Shoulder |
| 4 | 120-4981-0P | 1 | Mount-Throttle Cable | 20 | 115-1448 | 1 | Fitting-Straight |
| 5 | 87-4690 | 1 | Cover-Clutch | 21 | 32128-33 | 1 | Nut-HF |
| 6 | 3253-4 | 6 | Washer-Lock | 22 | 117-4923 | 1 | Switch-Temperature, Water |
| 7 | 99-3441 | 1 | Harness-Wire, Fusible Link | 23 | 120-5075 | 1 | Sender-Temperature |
| 8 | 42-7160 | 3 | Pin | 24 | 33104-016 | 2 | Screw-HHF |
| 9 | 87-4700 | 1 | Disc-Clutch | 25 | 33013-00 | 1 | Nut-Hex |
| 10 | 133-0613 | 1 | Muffler | 26 | 120-5006 | 1 | Holder-Bearing, Pilot |
| 11 | 3234-17 | 6 | Screw-HHF | 27 | 33103-020 | 3 | Screw-HHF |
| 12 | 32128-20 | 8 | Nut-HF | 28 | 115-6870 | 1 | Bearing-Ball, Sealed |
| 14 | 98-7977 | 1 | Screw-HHF | 29 | 3256-2 | 1 | Washer-Flat |
| 15 | 105-9472 | 1 | Plate-Mount, Muffler | 30 | 110-8815 | 1 | Nut-Hex |
| 16 | 3230-2 | 2 | Bolt-CARR | 35 | 138-9273 | 1 | Adapter-Straight |



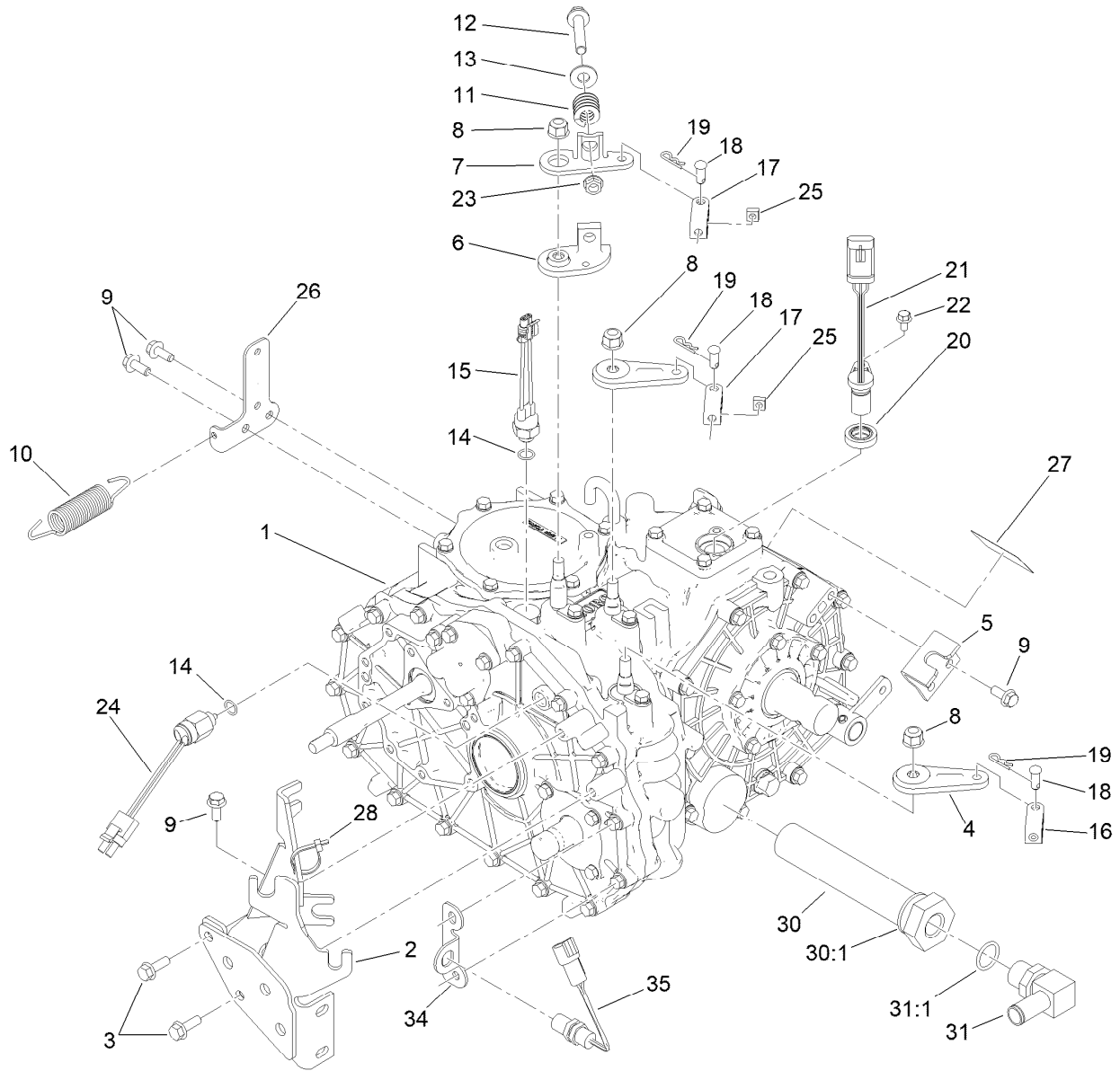
Radiator Assembly

| <i>Ref.</i> | <i>Part Number</i> | <i>Qty.</i> | <i>Description</i> |
|-------------|--------------------|-------------|--------------------|
| 1 | 114-8384 | 1 | Radiator |
| 2 | 114-8385 | 1 | Fan-Electric |
| 3 | 114-8386 | 1 | Shroud |
| 4 | 114-8387 | 2 | Latch-Spring |
| 5 | 3234-30 | 7 | Screw-HHF |
| 6 | 703856 | 7 | Nut-Sq, Caged |
| 7 | 60-6910 | 4 | Screw-HH |
| 8 | 115-7765 | 1 | Plate-Mount, Lower |



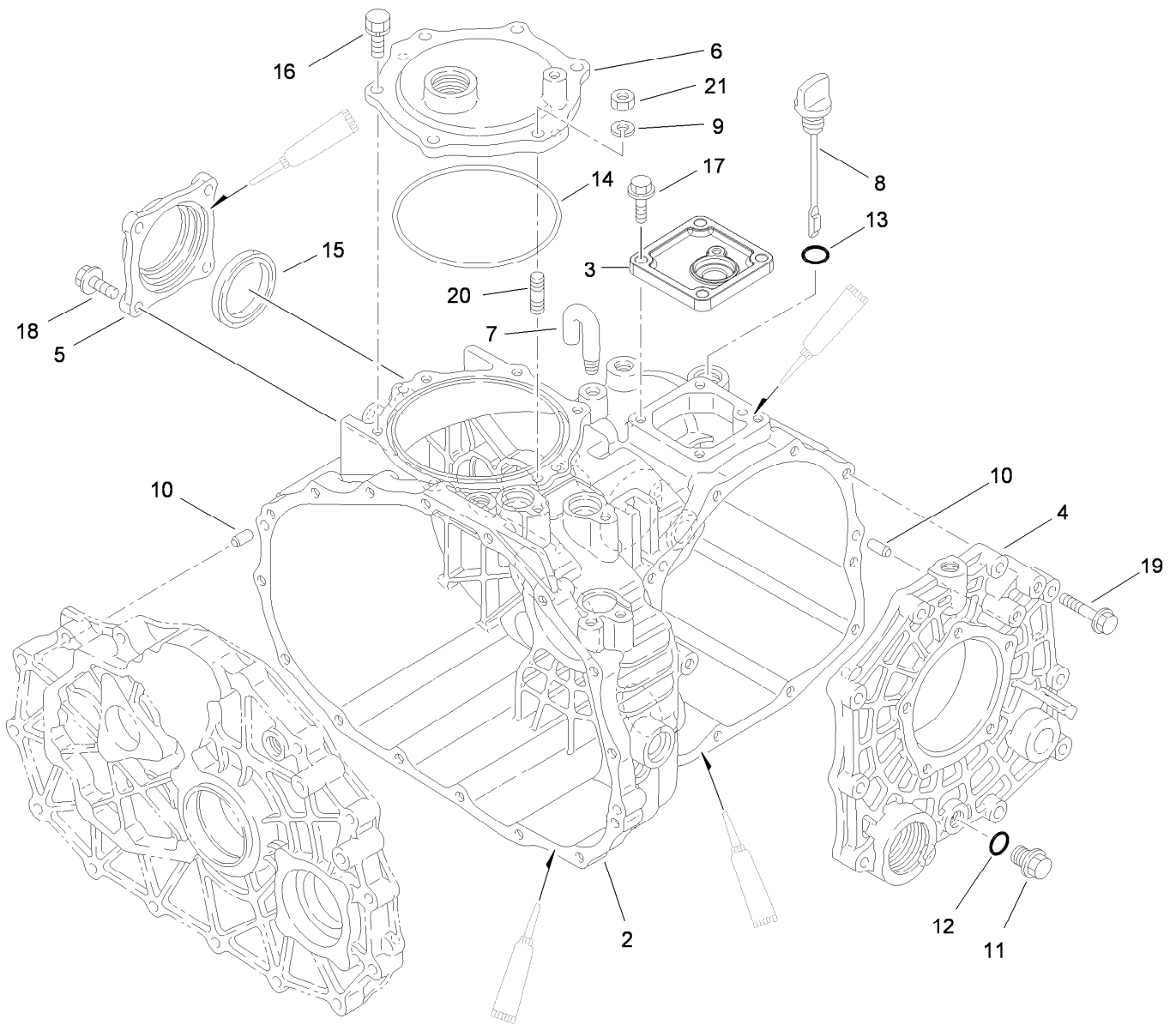
Clutch Linkage Assembly

| <i>Ref.</i> | <i>Part Number</i> | <i>Qty.</i> | <i>Description</i> | <i>Ref.</i> | <i>Part Number</i> | <i>Qty.</i> | <i>Description</i> |
|-------------|--------------------|-------------|-------------------------|-------------|--------------------|-------------|--------------------------|
| 1 | 119-9498 | 1 | Bell Housing | 10 | 87-3770 | 2 | Bushing-Housing, Bell |
| 2 | 120-4886 | 1 | Guide-Release | 11 | 87-1910 | 4 | Pin-Dowel |
| 3 | 33104-025 | 3 | Screw-HHF | 12 | 33104-040 | 9 | Screw-HHF |
| 4 | 115-2313 | 1 | Bracket-Cable, Clutch | 14 | 107-7983 | 6 | Screw-HH |
| 5 | 98-7977 | 2 | Screw-HHF | 15 | 32121-7 | 1 | Pin-Roll, Slotted |
| 6 | 110-2538 | 1 | Bearing-Release, Clutch | 16 | 32121-24 | 2 | Pin-Spring |
| 7 | 87-5300 | 1 | Fork-Clutch | 17 | 2411-33 | 1 | Balljoint-RH (W/Grommet) |
| 8 | 115-2311 | 1 | Lever-Clutch | 18 | 3296-4 | 1 | Nut-Lock |
| 9 | 87-1920 | 2 | Seal-Oil | 20 | 120-5018 | 1 | Clip-Open J, Coated |



Transaxle Assembly

| Ref. | Part Number | Qty. | Description | Ref. | Part Number | Qty. | Description |
|------|-------------|------|-----------------------------|------|-------------|------|-------------------------|
| 1 | 115-2175 | 1 | 4 Wheel Drive Transaxle ASM | 18 | 283-62 | 3 | Pin-Clevis |
| 2 | 105-4207-0P | 1 | Cable Mount ASM,Welded | 19 | 3290-307 | 3 | Pin-Cotter |
| 3 | 33104-025 | 2 | Screw-HHF | 20 | 92-3735 | 1 | Seal-Sensor, Oil |
| 4 | 132-6764 | 2 | Lever-Shift | 21 | 120-4800 | 1 | Sensor-Gear tooth |
| 5 | 87-4470 | 1 | Bracket-Lock, Differential | 22 | 33103-012 | 1 | Screw-HHF |
| 6 | 87-7970 | 1 | Arm-Shift | 23 | 3290-357 | 1 | Nut-HSF |
| 7 | 87-8250 | 1 | Plate-Arm, Shift | 24 | 87-6710 | 1 | Switch-Transmission |
| 8 | 103-9511 | 3 | Nut-Lock, NI | 25 | 140-4804 | 2 | Nut-Square |
| 9 | 98-7977 | 5 | Screw-HHF | 26 | 145-2083 | 1 | Bracket-Pump, Fuel |
| 10 | 68-9950 | 1 | Spring-Traction | 27 | 115-7741 | 1 | Decal-Oil, Transmission |
| 11 | 87-6910 | 1 | Spring-Compression | 28 | 3290-379 | 1 | Tie-Cable |
| 12 | 66-9302 | 1 | Screw-HHF Lock | 30 | 87-3990 | 1 | Strainer-Transaxle |
| 13 | 3256-4 | 1 | Washer-Flat | 30:1 | 237-101 | 1 | O-Ring |
| 14 | 237-30 | 2 | O-Ring | 31 | 353-987 | 1 | Fitting-Elbow, 90 |
| 15 | 72-4310 | 1 | Switch-Ball | 31:1 | 237-81 | 1 | O-Ring |
| 16 | 87-7160 | 1 | Clevis-Cable | 34 | 136-6277 | 1 | Bracket-Sensor, 4Wd |
| 17 | 87-2310 | 2 | Clevis-Cable | 35 | 136-6349 | 1 | Sensor |



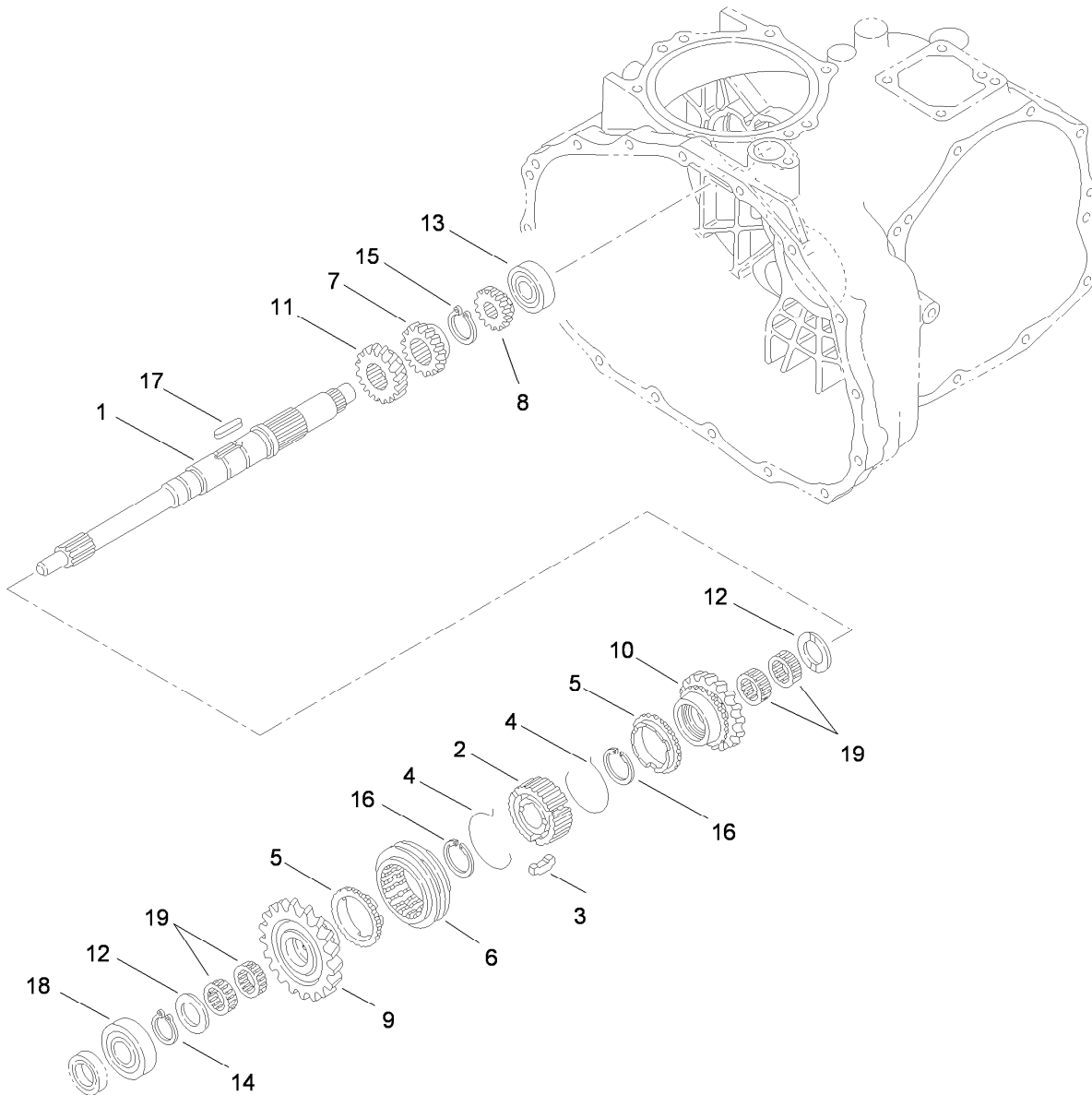
Case Assembly 4 Wheel Drive Transaxle Assembly No. 115-2175

| <i>Ref.</i> | <i>Part Number</i> | <i>Qty.</i> | <i>Description</i> | <i>Ref.</i> | <i>Part Number</i> | <i>Qty.</i> | <i>Description</i> |
|-------------|--------------------|-------------|---------------------|-------------|--------------------|-------------|--------------------|
| 2 | 92-0651 | 1 | Case-Transmission | 12 | 92-0787 | 1 | O-Ring |
| 3 | 92-0810 | 1 | Cover-Upper, Sensor | 13 | 92-0788 | 1 | O-Ring |
| 4 | 92-0653 | 1 | Cover-Side | 14 | 92-0790 | 1 | O-Ring |
| 5 | 92-0655 | 1 | Cover-Seal, Axle | 15 | 92-0793 | 1 | Seal-Oil |
| 6 | 92-0656 | 1 | Cover-Upper, PTO | 16 | 92-0796 | 5 | Bolt |
| 7 | 92-0743 | 1 | Breather-Air | 17 | 33104-025 | 4 | Screw-HHF |
| 8 | 92-0662 | 1 | Cap-Oil | 18 | 33104-025 | 4 | Screw-HHF |
| 9 | 92-0762 | 1 | Washer-Spring | 19 | 33104-040 | 10 | Screw-HHF |
| 10 | 92-0765 | 4 | Pin-Parallel | 20 | 92-0805 | 1 | Bolt 8X20 |
| 11 | 92-0773 | 1 | Plug-Drain | 21 | 68-9400 | 1 | Nut-Flange |



Center Plate Assembly 4 Wheel Drive Transaxle Assembly No. 115-2175

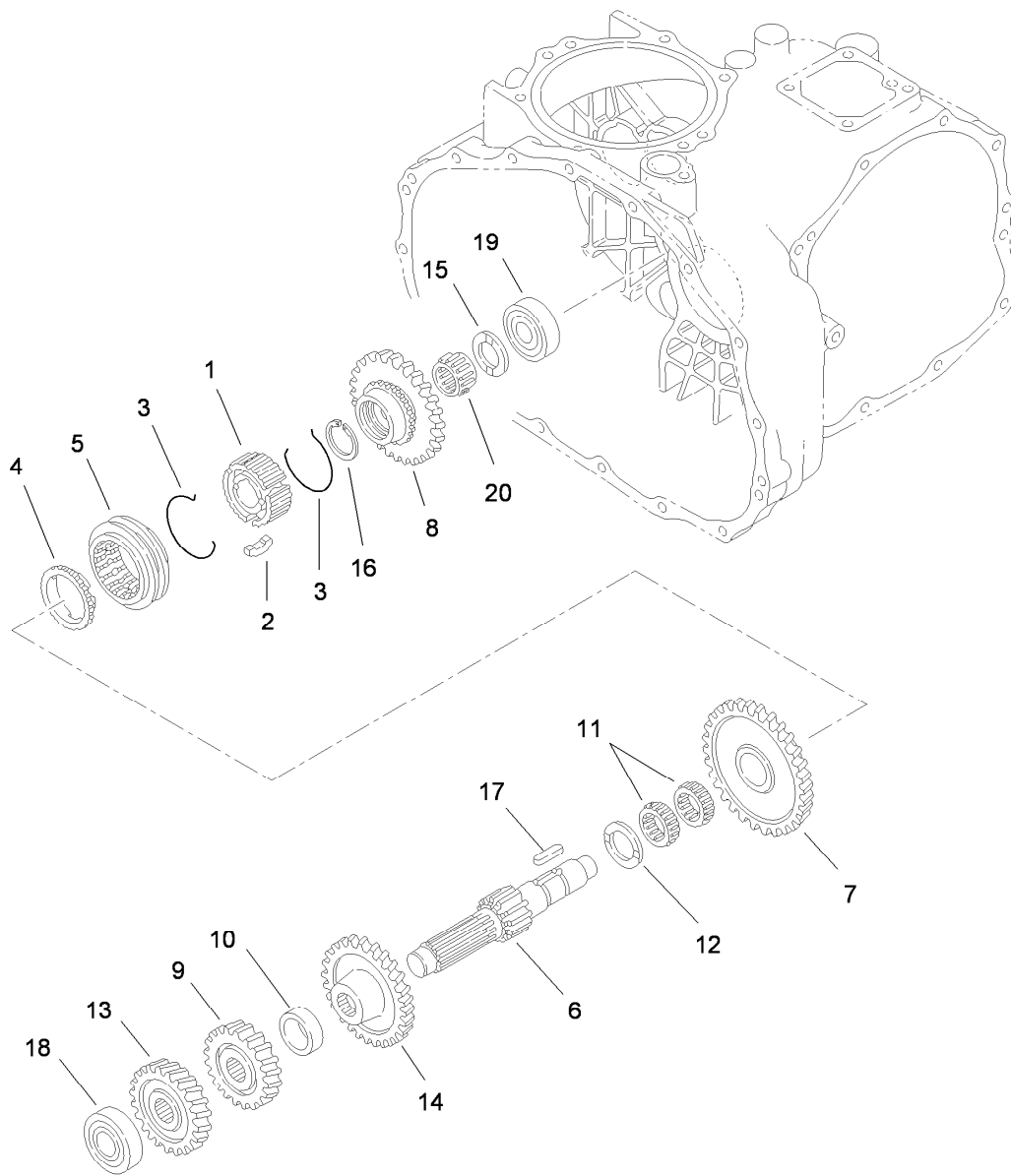
| <i>Ref.</i> | <i>Part Number</i> | <i>Qty.</i> | <i>Description</i> |
|-------------|--------------------|-------------|--------------------|
| 1 | 100-4462 | 1 | Plate-Center, 4Wd |
| 2 | 100-4460 | 1 | Shim-Set |
| 3 | 92-0706 | 1 | Shaft-Fork |
| 4 | 92-0759 | 1 | Ring-Snap |
| 5 | 92-0791 | 1 | Seal-Oil |
| 6 | 33104-025 | 3 | Screw-HHF |
| 7 | 33104-040 | 15 | Screw-HHF |
| 8 | 33104-050 | 1 | Screw-HHF |
| 9 | 92-0807 | 1 | Cap-Sealing |
| 10 | 100-4465 | 1 | Shim (W/Tab) |



Main Shaft Assembly 4 Wheel Drive Transaxle Assembly No. 115-2175

| <i>Ref.</i> | <i>Part Number</i> | <i>Qty.</i> | <i>Description</i> |
|-------------|--------------------|-------------|----------------------|
| 1 | 92-0663 | 1 | Shaft-Main |
| 2 | 92-0664 | 1 | Hub-Synchro |
| 3 | 92-0665 | 3 | Key-Synchro |
| 4 | 92-0666 | 2 | Spring-Synchro |
| 5 | 92-0667 | 2 | Ring-Synchro |
| 6 | 92-0668 | 1 | Shifter-Synchro |
| 7 | 92-0672 | 1 | Gear-Main, 18 Tooth |
| 8 | 92-0673 | 1 | Gear-Main, 14 Tooth |
| 9 | 110-2521 | 1 | Gear-Main, 27 Tooth |
| 10 | 110-2522 | 1 | Gear- Main, 24 Tooth |

| <i>Ref.</i> | <i>Part Number</i> | <i>Qty.</i> | <i>Description</i> |
|-------------|--------------------|-------------|---------------------|
| 11 | 92-0687 | 1 | Gear-Main, 16 Tooth |
| 12 | 92-0740 | 2 | Washer-Thrust |
| 13 | 92-0650 | 1 | Bearing |
| 14 | 92-0753 | 1 | Ring-Snap |
| 15 | 92-0754 | 1 | Ring-Snap |
| 16 | 92-0763 | 2 | Ring-Snap |
| 17 | 92-0772 | 1 | Key |
| 18 | 251-8 | 1 | Bearing-Ball |
| 19 | 92-0781 | 4 | Bearing-Needle |



Reduction Shaft Assembly 4 Wheel Drive Transaxle Assembly No. 115-2175

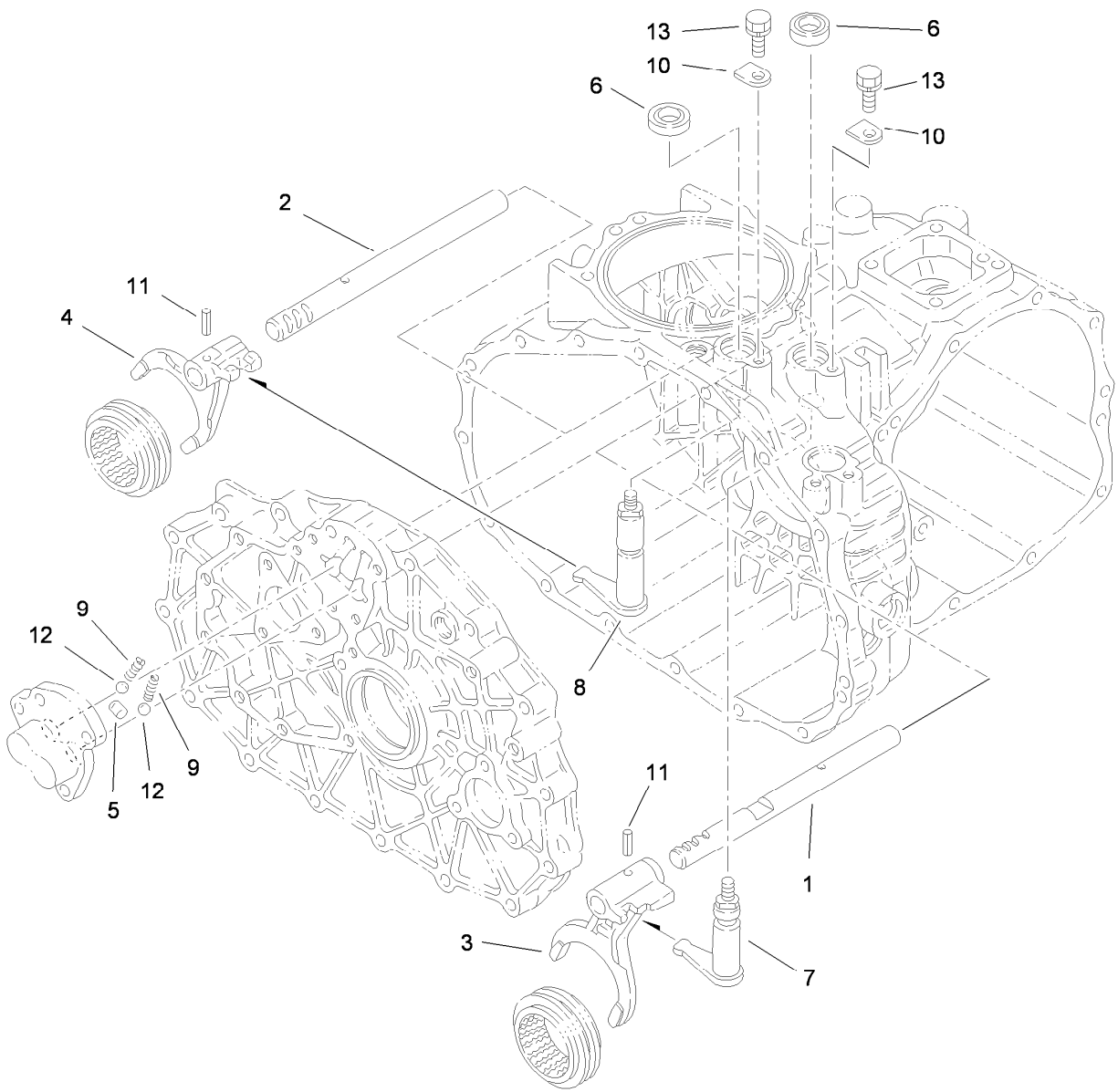
| <i>Ref.</i> | <i>Part Number</i> | <i>Qty.</i> | <i>Description</i> |
|-------------|--------------------|-------------|---------------------------|
| 1 | 92-0664 | 1 | Hub-Synchro |
| 2 | 92-0665 | 3 | Key-Synchro |
| 3 | 92-0666 | 2 | Spring-Synchro |
| 4 | 92-0667 | 1 | Ring-Synchro |
| 5 | 92-0668 | 1 | Shifter-Synchro |
| 6 | 92-0674 | 1 | Shaft-Reduction |
| 7 | 110-2524 | 1 | Gear- Reduction, 49 Tooth |
| 8 | 92-0819 | 1 | Gear-Reduction, 40 Tooth |
| 9 | 92-0769 | 1 | Pin-Roll |
| 10 | 92-0680 | 1 | Collar |

| <i>Ref.</i> | <i>Part Number</i> | <i>Qty.</i> | <i>Description</i> |
|-------------|--------------------|-------------|--------------------------|
| 11 | 92-0681 | 2 | Bearing-Needle |
| 12 | 92-0682 | 1 | Washer-Thrust |
| 13 | 92-0822 | 1 | Gear-Reduction, 28 Tooth |
| 14 | 92-0823 | 1 | Gear-Reduction, 43 Tooth |
| 15 | 92-0740 | 1 | Washer-Thrust |
| 16 | 92-0673 | 1 | Gear-Main, 14 Tooth |
| 17 | 92-0772 | 1 | Key |
| 18 | 105-7985 | 1 | Bearing |
| 19 | 92-0778 | 1 | Bearing |
| 20 | 92-0782 | 1 | Bearing-Needle |



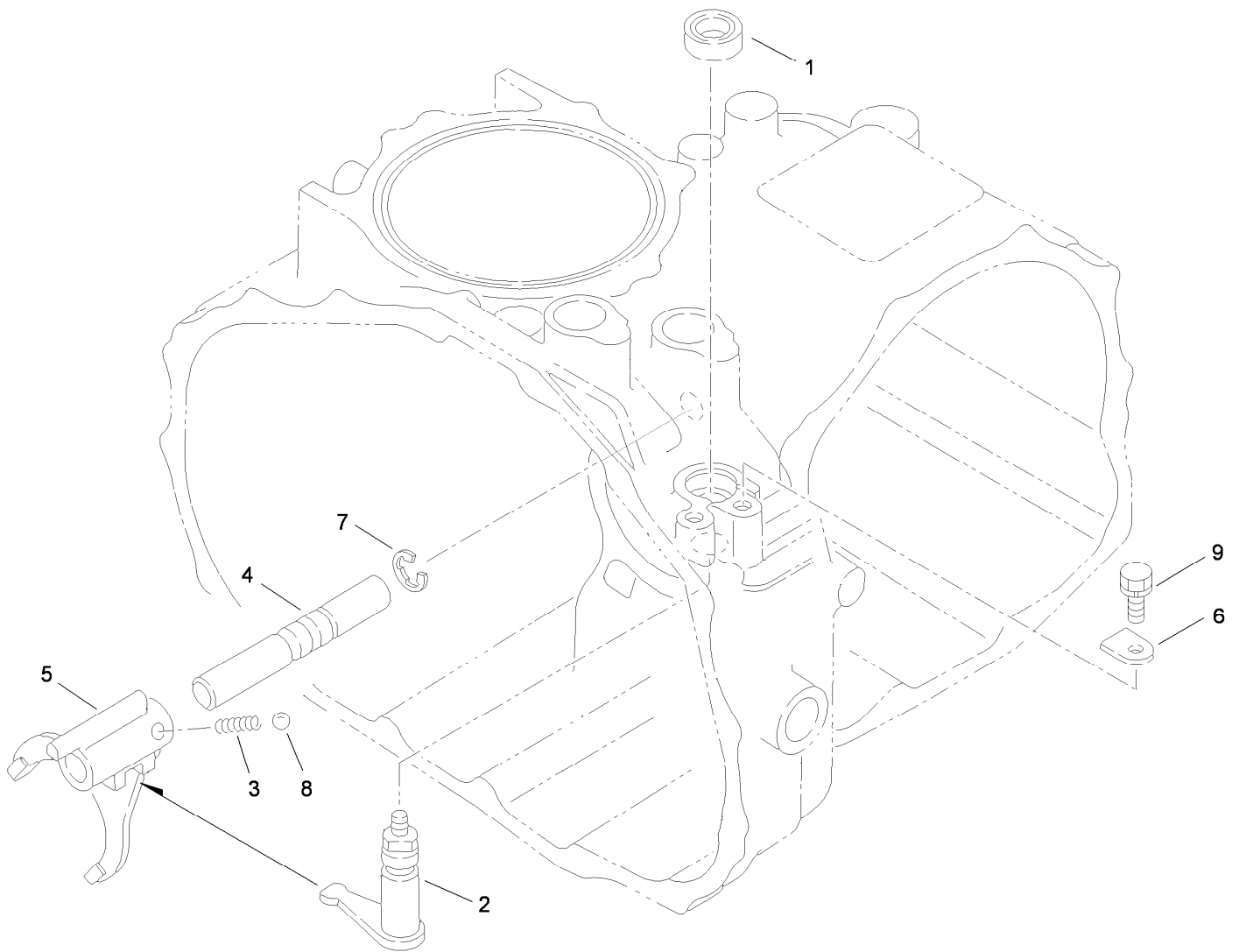
Reverse Shaft Assembly 4 Wheel Drive Transaxle Assembly No. 115-2175

| <i>Ref.</i> | <i>Part Number</i> | <i>Qty.</i> | <i>Description</i> |
|-------------|--------------------|-------------|------------------------|
| 1 | 92-0684 | 1 | Gear-Reverse, 33 Tooth |
| 2 | 92-0824 | 1 | Shaft-Idler, Reverse |
| 3 | 251-346 | 1 | Bearing-Ball |
| 4 | 92-0778 | 1 | Bearing |



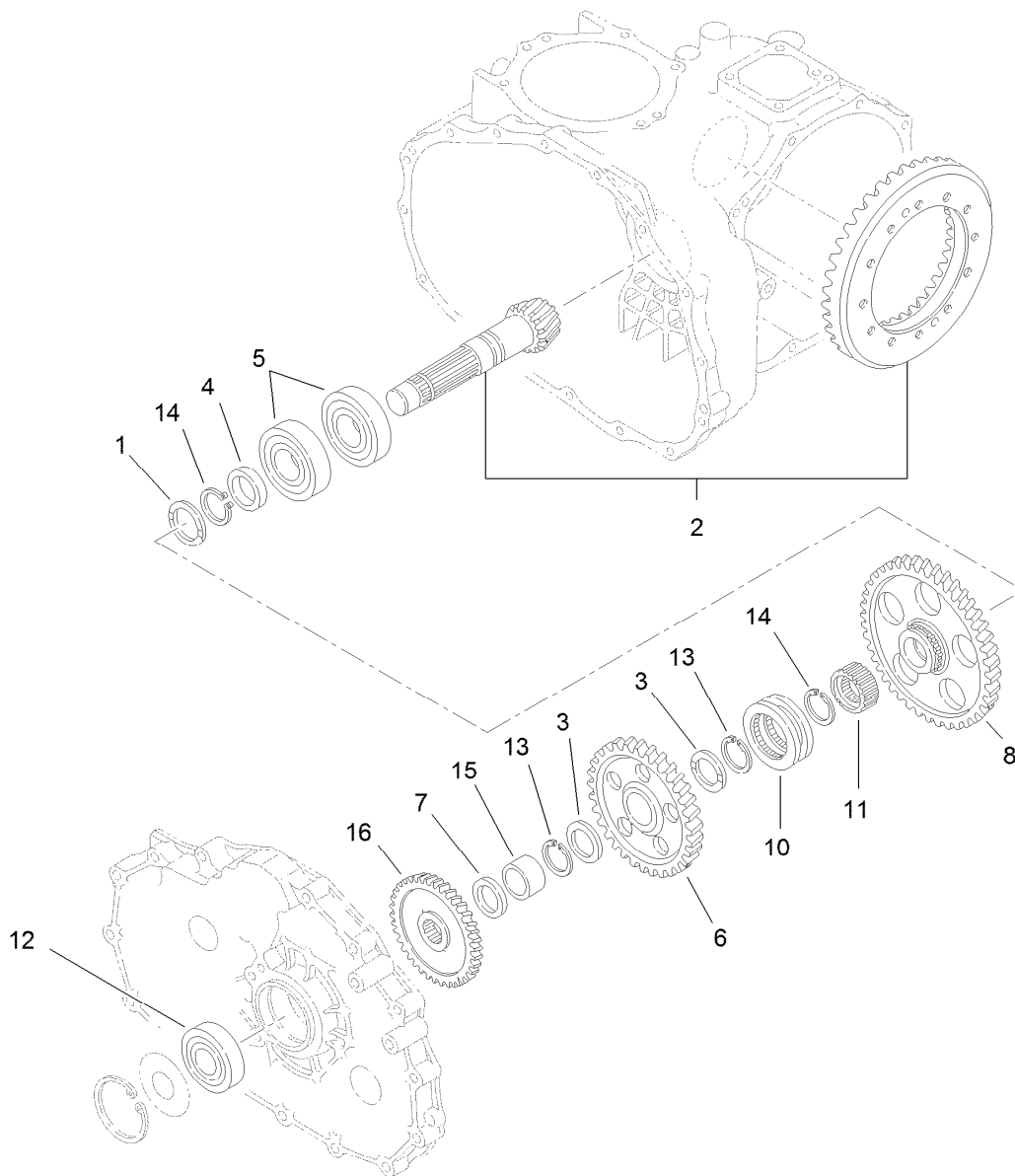
Main Shift Assembly 4 Wheel Drive Transaxle Assembly No. 115-2175

| <i>Ref.</i> | <i>Part Number</i> | <i>Qty.</i> | <i>Description</i> |
|-------------|--------------------|-------------|--------------------|
| 1 | 92-0698 | 1 | Shaft-Fork |
| 2 | 92-0699 | 1 | Shaft-Fork |
| 3 | 92-0700 | 1 | Fork-Shift |
| 4 | 92-0701 | 1 | Fork-Shift |
| 5 | 92-0705 | 1 | Lock-Spindle |
| 6 | 92-0729 | 2 | Seal-Oil |
| 7 | 92-0816 | 1 | Arm-Shift |
| 8 | 92-0817 | 1 | Arm-Shift |
| 9 | 92-0731 | 2 | Spring |
| 10 | 92-0732 | 2 | Plate-Keeper |
| 11 | 92-0769 | 2 | Pin-Roll |
| 12 | 92-0785 | 2 | Ball-Steel |
| 13 | 33104-016 | 2 | Screw-HHF |



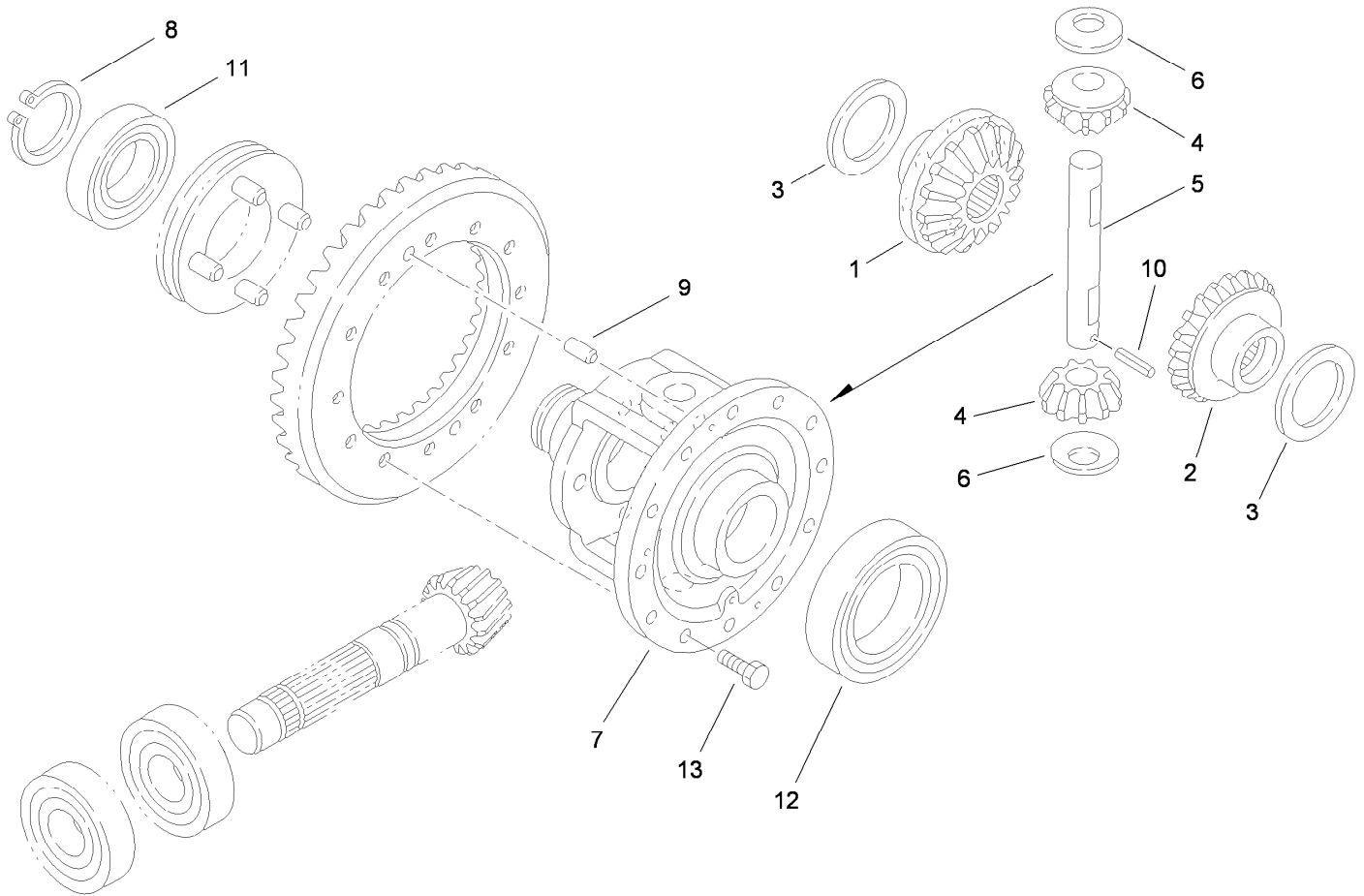
Hi-Lo Shift Assembly 4 Wheel Drive Transaxle Assembly No. 115-2175

| <i>Ref.</i> | <i>Part Number</i> | <i>Qty.</i> | <i>Description</i> |
|-------------|--------------------|-------------|--------------------|
| 1 | 92-0729 | 1 | Seal-Oil |
| 2 | 92-0818 | 1 | Arm-Shift |
| 3 | 92-0731 | 1 | Spring |
| 4 | 92-0708 | 1 | Shaft-Fork |
| 5 | 92-0709 | 1 | Fork-Shift |
| 6 | 92-0732 | 1 | Plate-Keeper |
| 7 | 92-0761 | 1 | Ring-E |
| 8 | 92-0785 | 1 | Ball-Steel |
| 9 | 33104-016 | 1 | Screw-HHF |



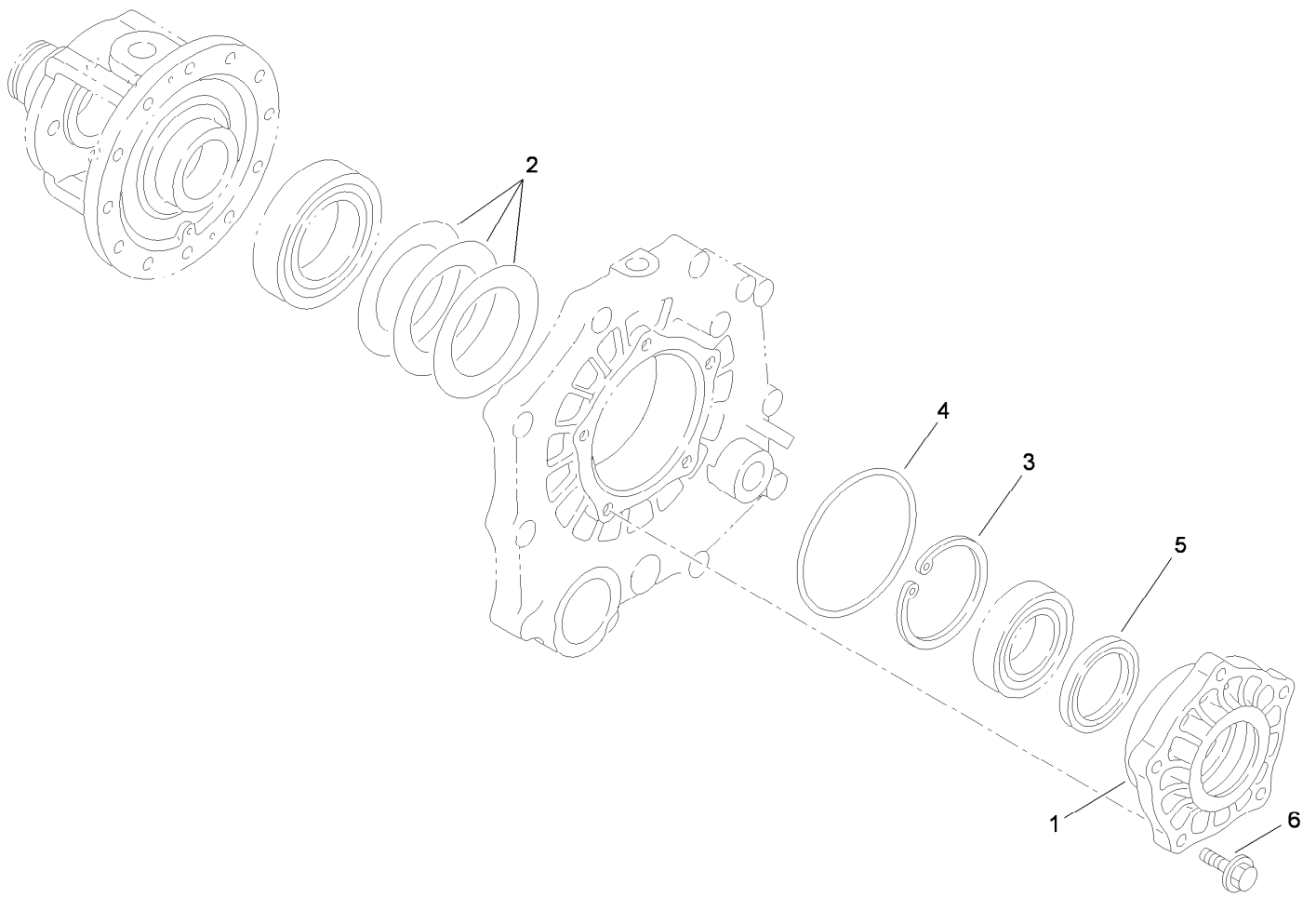
Countershaft Assembly 4 Wheel Drive Transaxle Assembly No. 115-2175

| <i>Ref.</i> | <i>Part Number</i> | <i>Qty.</i> | <i>Description</i> |
|-------------|--------------------|-------------|--------------------------------|
| 1 | 92-0741 | 1 | Washer-Thrust |
| 2 | 105-7983 | 1 | Countershaft And Ring Gear ASM |
| 3 | 92-0711 | 2 | Washer-Thrust |
| 4 | 92-0713 | 1 | Collar |
| 5 | 92-0714 | 2 | Bearing |
| 6 | 92-0715 | 1 | Gear-Countershaft |
| 7 | 92-0716 | 1 | Collar |
| 8 | 92-0717 | 1 | Gear-Countershaft |
| 10 | 92-0718 | 1 | Shifter |
| 11 | 105-7986 | 1 | Collar-Spline |
| 12 | 92-0712 | 1 | Bearing-Ball |
| 13 | 105-7987 | 2 | Ring-Snap |
| 14 | 92-0755 | 2 | Ring-Snap |
| 15 | 92-0783 | 1 | Race-Inner |
| 16 | 92-5186 | 1 | Pinion |



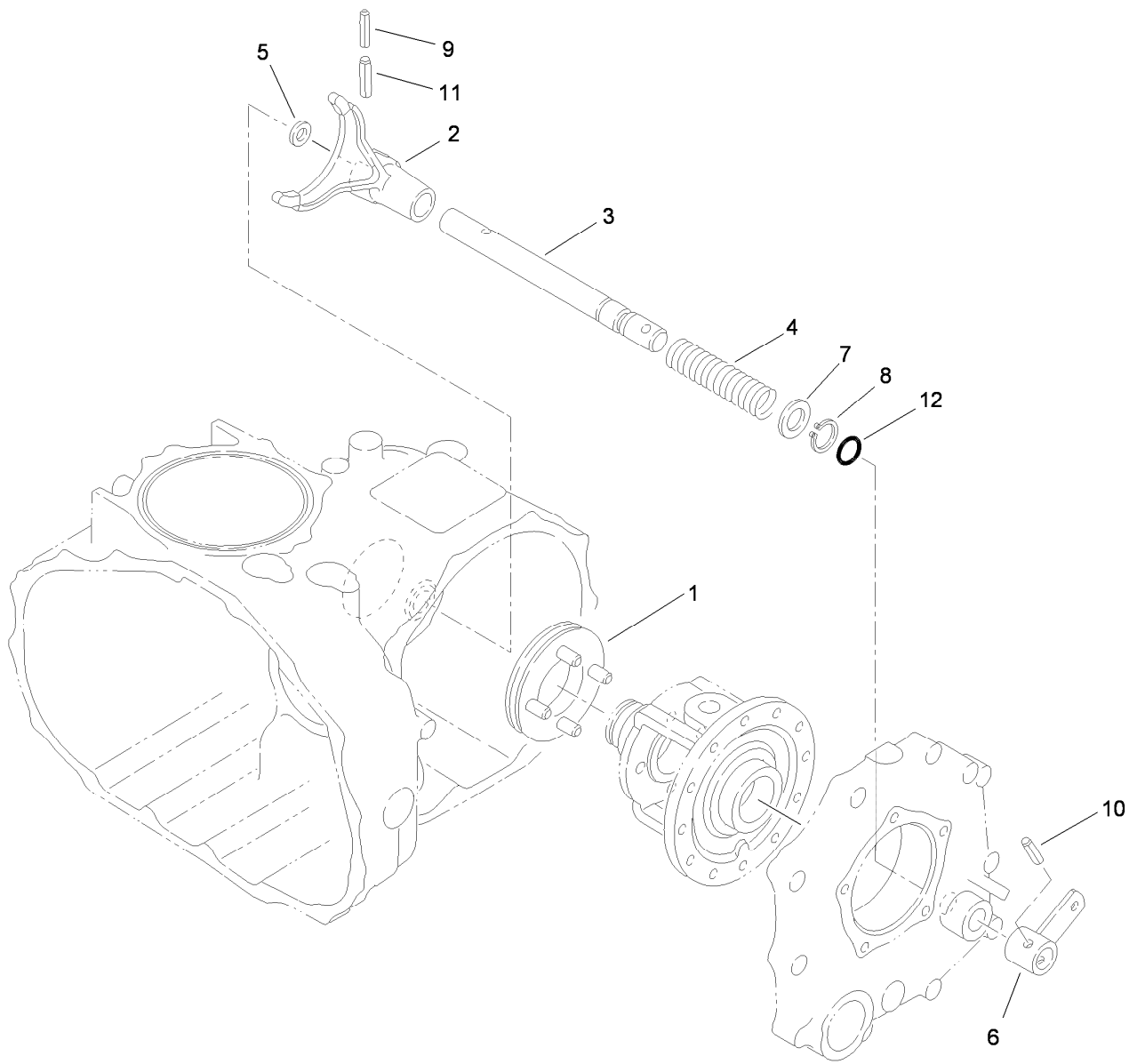
Differential Gear Assembly 4 Wheel Drive Transaxle Assembly No. 115-2175

| <i>Ref.</i> | <i>Part Number</i> | <i>Qty.</i> | <i>Description</i> |
|-------------|--------------------|-------------|-----------------------|
| 1 | 92-0745 | 1 | Gear-Side, LH |
| 2 | 92-0746 | 1 | Gear-Side, RH |
| 3 | 92-0747 | 2 | Side-Gear, Left Inner |
| 4 | 92-0748 | 2 | Pinion-Differential |
| 5 | 92-0749 | 1 | Shaft-Pinion |
| 6 | 92-0750 | 2 | Washer |
| 7 | 92-0720 | 1 | Case-Differential |
| 8 | 92-0756 | 1 | Ring-Snap |
| 9 | 92-0765 | 2 | Pin-Parallel |
| 10 | 92-0768 | 1 | Pin-Roll, Spring |
| 11 | 92-0775 | 1 | Bearing |
| 12 | 92-0776 | 1 | Bearing |
| 13 | 92-0803 | 12 | Bolt |



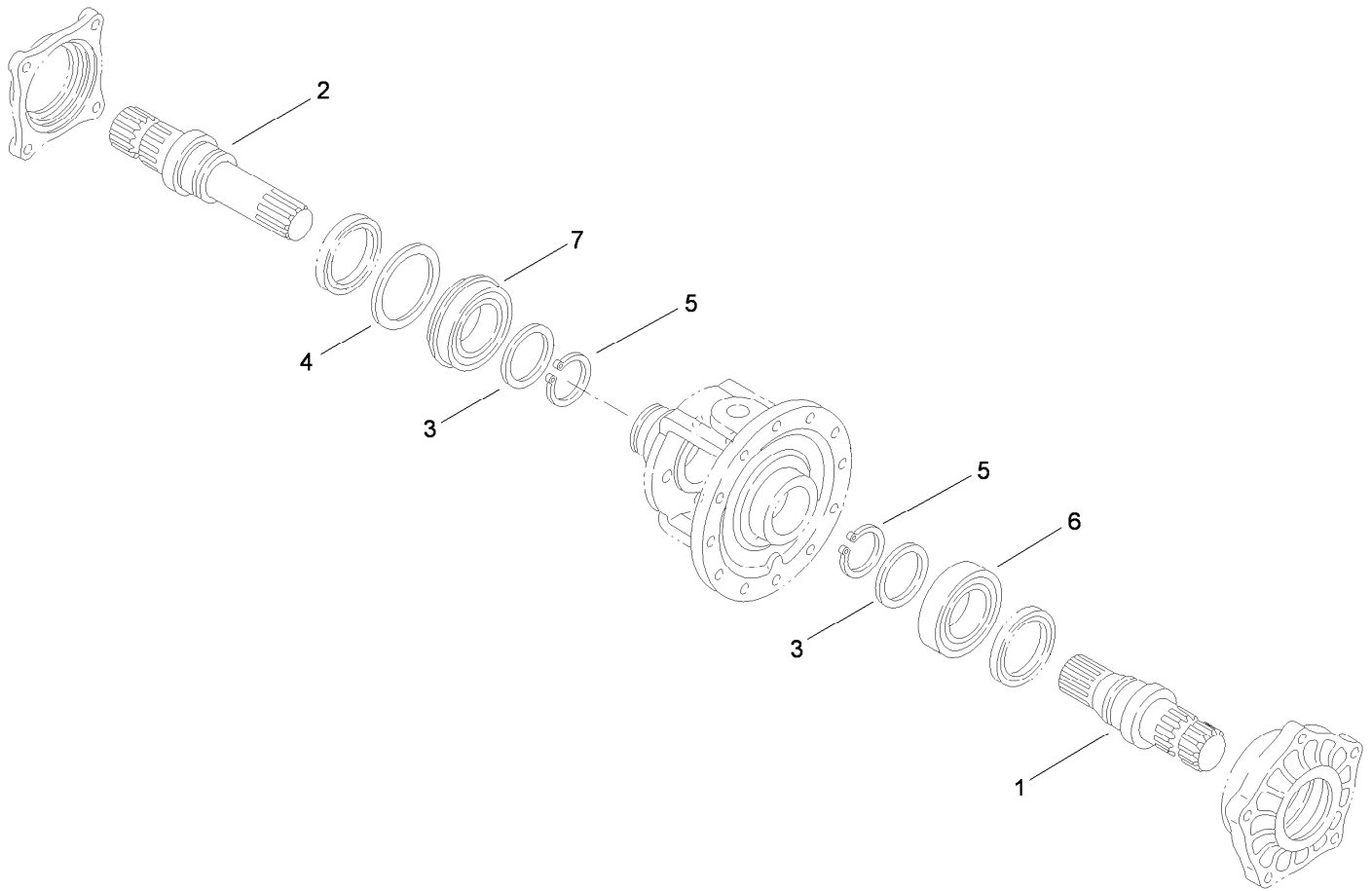
Differential Carrier Assembly 4 Wheel Drive Transaxle Assembly No. 115-2175

| <i>Ref.</i> | <i>Part Number</i> | <i>Qty.</i> | <i>Description</i> |
|-------------|--------------------|-------------|----------------------|
| 1 | 92-0654 | 1 | Carrier-Differential |
| 2 | 92-0809 | 1 | Set-Shim |
| 3 | 92-0760 | 1 | Ring-Snap |
| 4 | 92-0789 | 1 | O-Ring |
| 5 | 92-0793 | 1 | Seal-Oil |
| 6 | 33104-030 | 5 | Screw-HHF |



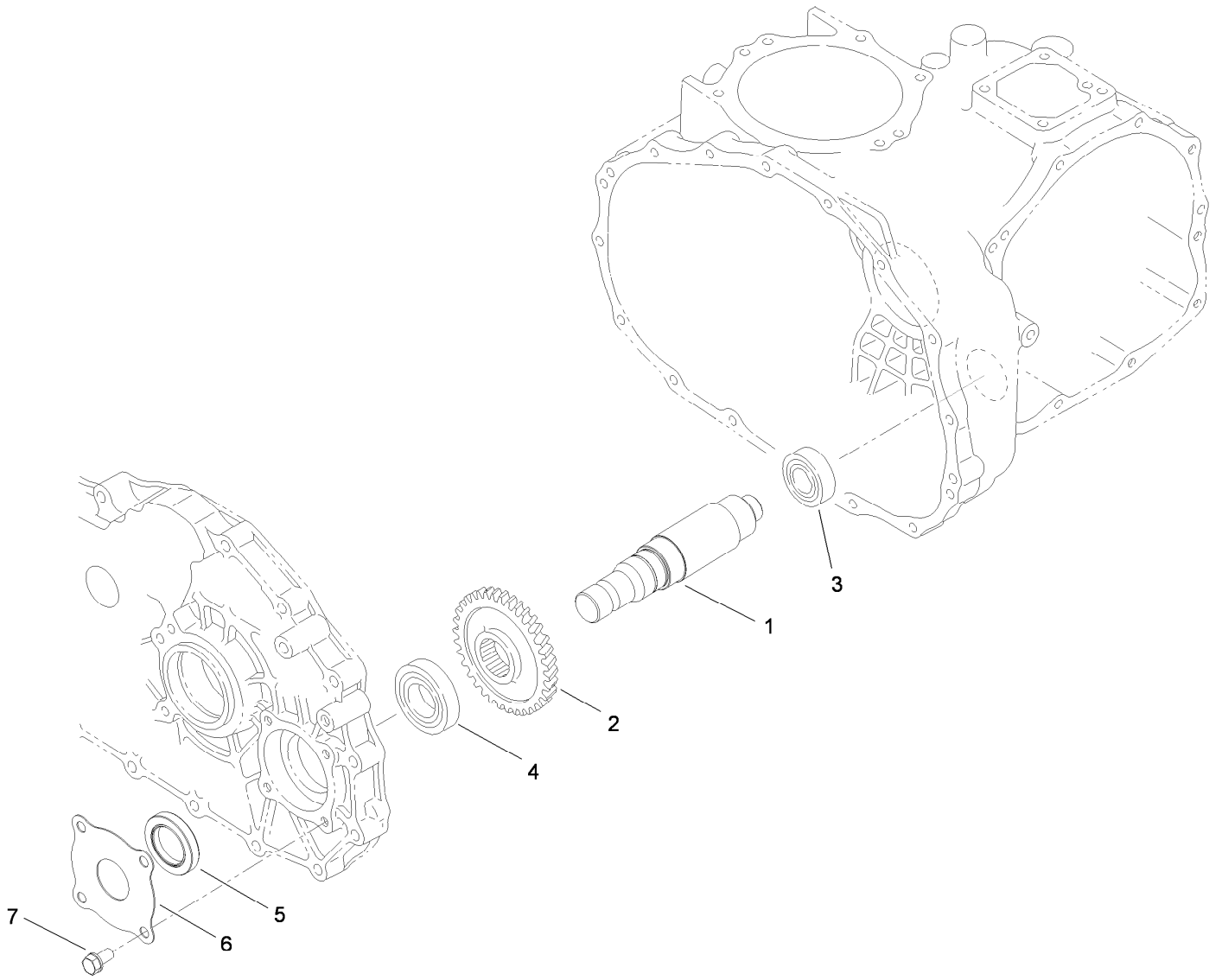
Differential Lock Assembly 4 Wheel Drive Transaxle Assembly No. 115-2175

| <i>Ref.</i> | <i>Part Number</i> | <i>Qty.</i> | <i>Description</i> |
|-------------|--------------------|-------------|-------------------------------|
| 1 | 92-0730 | 1 | Slider-Differential, Lock |
| 2 | 92-0721 | 1 | Fork-Lock, Differential |
| 3 | 92-0722 | 1 | Shaft-Fork, Lock Differential |
| 4 | 92-0723 | 1 | Spring-Lock, Differential |
| 5 | 92-0744 | 1 | Washer |
| 6 | 92-0724 | 1 | Arm-Lock, Differential |
| 7 | 92-0733 | 1 | Washer |
| 8 | 92-0753 | 1 | Ring-Snap |
| 9 | 92-0768 | 1 | Pin-Roll, Spring |
| 10 | 92-0770 | 1 | Pin-Roll, Spring |
| 11 | 92-0771 | 1 | Pin-Roll, Spring |
| 12 | 92-0787 | 1 | O-Ring |



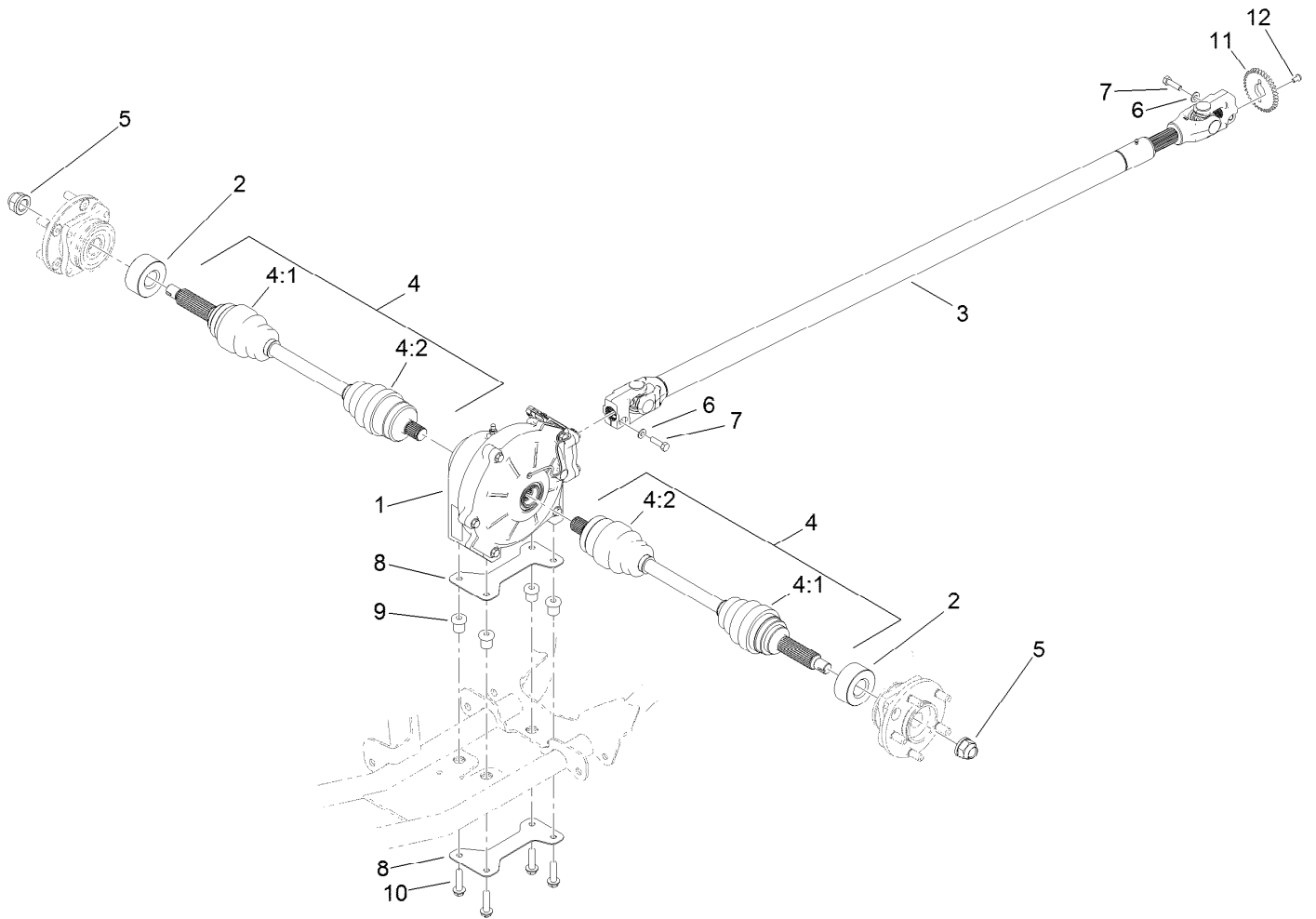
Axle Shaft Assembly 4 Wheel Drive Transaxle Assembly No. 115-2175

| <i>Ref.</i> | <i>Part Number</i> | <i>Qty.</i> | <i>Description</i> |
|-------------|--------------------|-------------|--------------------|
| 1 | 92-0725 | 1 | Shaft-Axle, Left |
| 2 | 92-0726 | 1 | Shaft-Axle, Right |
| 3 | 92-0727 | 2 | Washer |
| 4 | 92-0728 | 1 | Washer |
| 5 | 92-0756 | 2 | Ring-Snap |
| 6 | 92-0775 | 1 | Bearing |
| 7 | 92-0780 | 1 | Bearing |



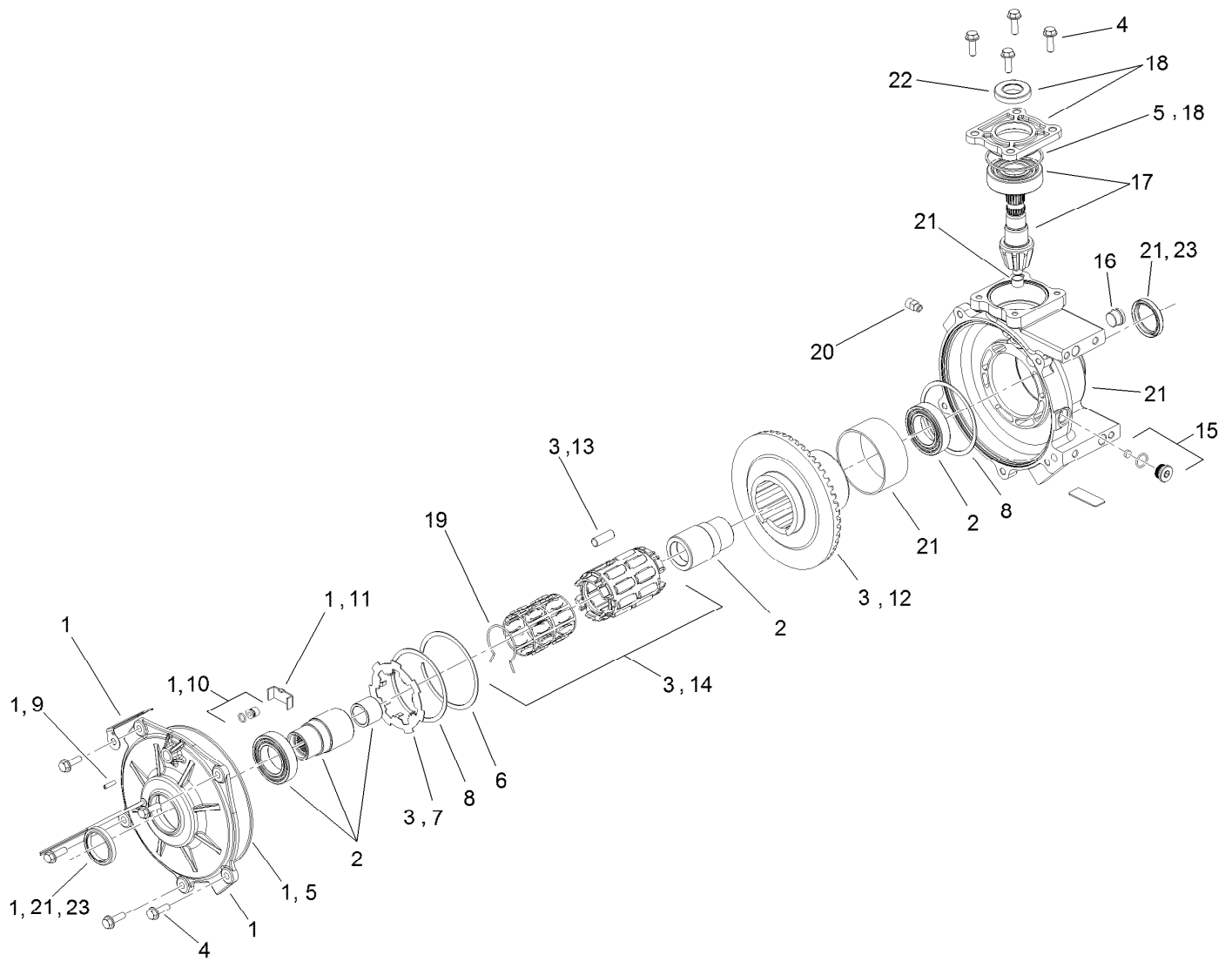
Front Drive Assembly 4 Wheel Drive Transaxle Assembly No. 115-2175

| <i>Ref.</i> | <i>Part Number</i> | <i>Qty.</i> | <i>Description</i> |
|-------------|--------------------|-------------|--------------------|
| 1 | 115-7828 | 1 | Driveshaft-Front |
| 2 | 92-5184 | 1 | Gear |
| 3 | 251-346 | 1 | Bearing-Ball |
| 4 | 92-5185 | 1 | Bearing |
| 5 | 115-7829 | 1 | Seal |
| 6 | 115-7830 | 1 | Protector-Seal |
| 7 | 33104-016 | 4 | Screw-HHF |



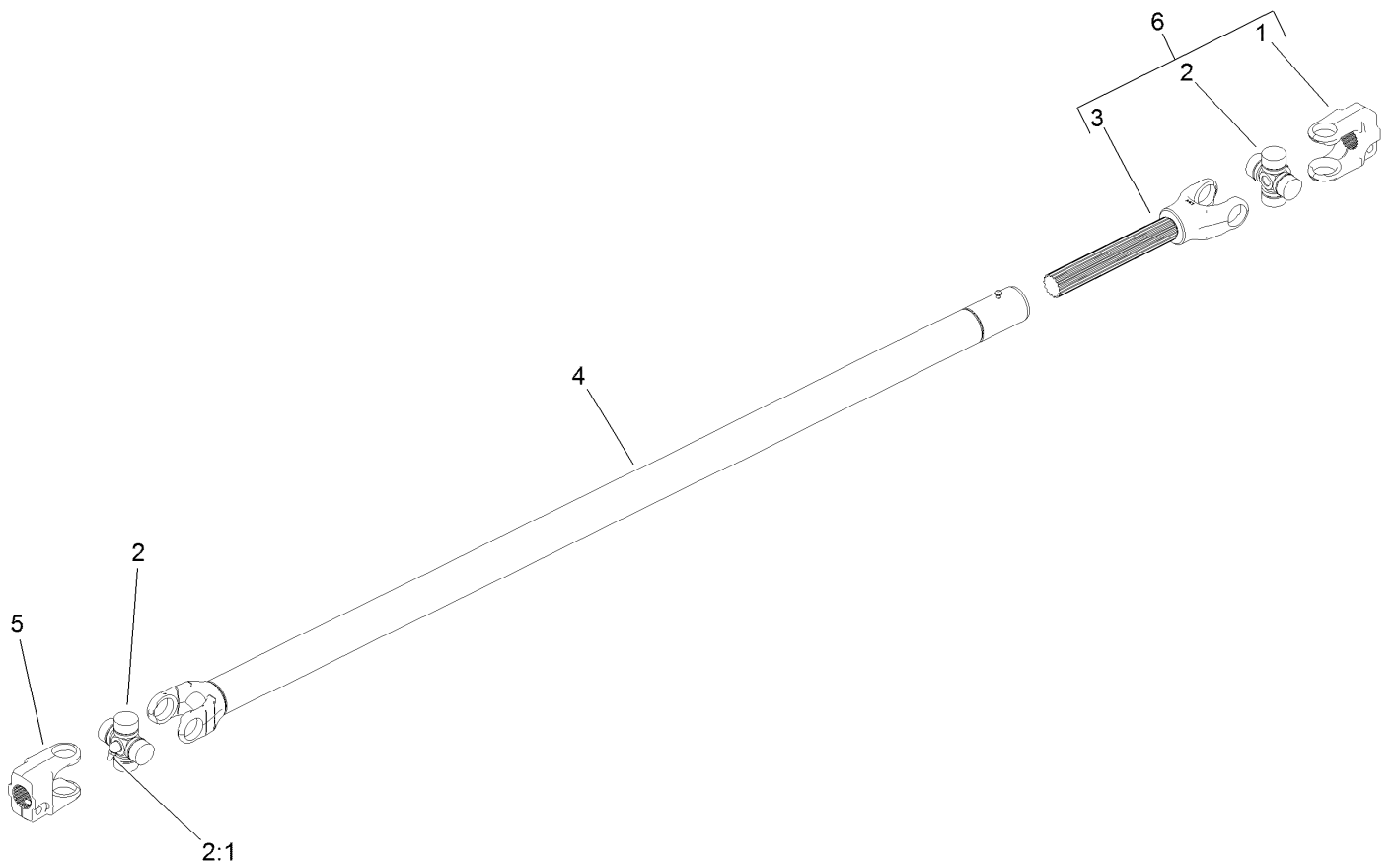
4 Wheel Drive Assembly

| Ref. | Part Number | Qty. | Description |
|------|-------------|------|--------------------|
| 1 | 119-0824 | 1 | Differential ASM |
| 2 | 115-2254 | 2 | Spacer-Axle |
| 3 | 136-6327 | 1 | Drive Shaft ASM |
| 4 | 115-2172 | 2 | Cv Axle ASM |
| 4:1 | 107-2891 | 1 | Outboard Boot Kit |
| 4:2 | 107-2892 | 1 | Inboard Boot Kit |
| 5 | 115-2164 | 2 | Nut-Spindle |
| 6 | 3256-23 | 2 | Washer-Plain |
| 7 | 3210-6 | 2 | Screw-HH |
| 8 | 119-9477-0P | 2 | Plate-Differential |
| 9 | 63-9750 | 4 | Mount |
| 10 | 3234-18 | 4 | Screw-HHF |
| 11 | 136-6331 | 1 | Ring-Sensor, 4Wd |
| 12 | 137-2794 | 1 | Screw-HSBH |



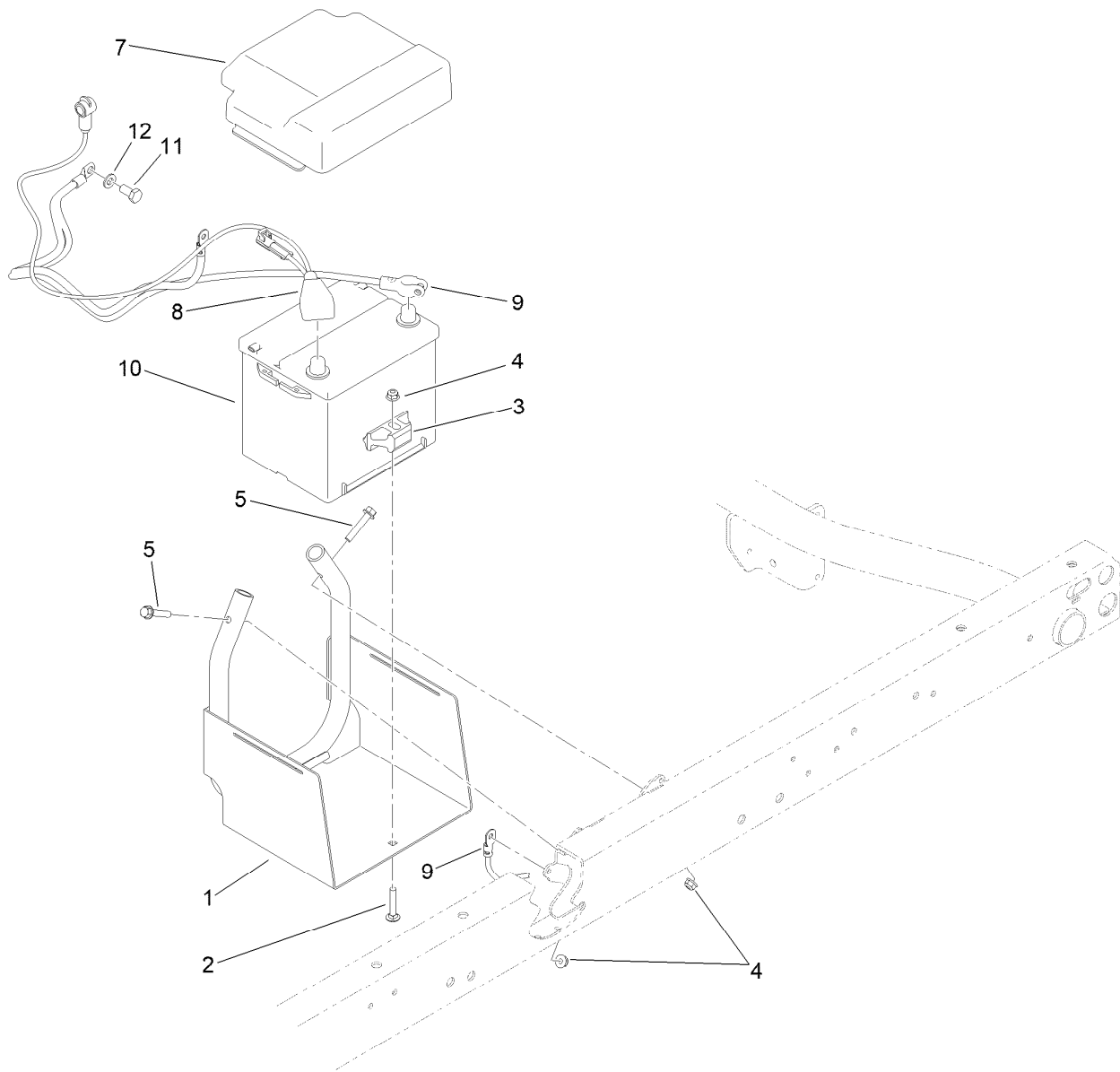
Differential Assembly No. 119-0824

| <i>Ref.</i> | <i>Part Number</i> | <i>Qty.</i> | <i>Description</i> | <i>Ref.</i> | <i>Part Number</i> | <i>Qty.</i> | <i>Description</i> |
|-------------|--------------------|-------------|--------------------------|-------------|--------------------|-------------|--------------------|
| 1 | 115-7790 | 1 | Output Cover ASM | 13 | 115-7802 | 1 | Roll Kit |
| 2 | 119-9479 | 1 | Output Hub ASM | 14 | 115-7803 | 1 | Roll Cage ASM |
| 3 | 115-7792 | 1 | Clutch ASM | 15 | 115-7804 | 1 | Drain Plug ASM |
| 4 | 115-7793 | 1 | Bolt Kit | 16 | 115-7805 | 1 | Plug-Oil, Fill |
| 5 | 115-7794 | 1 | Seal Kit | 17 | 115-7806 | 1 | Shaft-Pinion, 9T |
| 6 | 115-7795 | 1 | Ring-Retaining, Internal | 18 | 115-7807 | 1 | Input Cover ASM |
| 7 | 115-7796 | 1 | Plate-Armature, Notched | 19 | 115-7808 | 1 | Spring-Torsion |
| 8 | 115-7797 | 1 | Shim | 20 | 117-4985 | 1 | Vent-Protected |
| 9 | 115-7798 | 1 | Screw-Set | 21 | 119-9480 | 1 | Gearcase ASM |
| 10 | 115-7799 | 1 | Thrust Button ASM | 22 | 127-8866 | 1 | Input Seal |
| 11 | 115-7800 | 1 | Plate-Thrust | 23 | 127-8867 | 2 | Output Seal |
| 12 | 115-7801 | 1 | Gear-Ring, 50T | | | | |



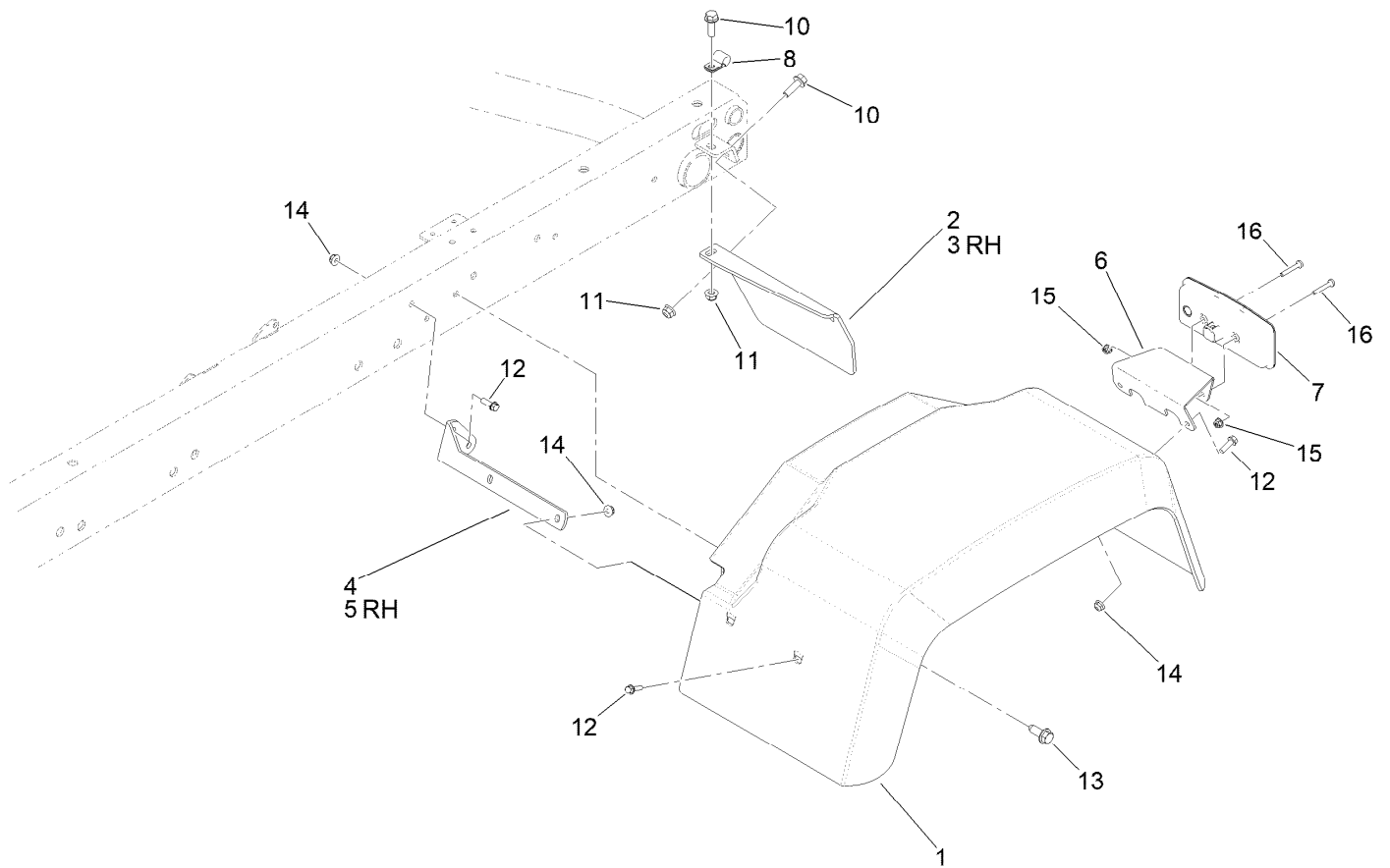
Drive Shaft Assembly No. 136-6327

| Ref. | Part Number | Qty. | Description |
|------|-------------|------|--------------------------------|
| 1 | 136-6326 | 1 | Yoke |
| 2 | 54-9180 | 2 | U-Joint Kit |
| 2:1 | 62-3820 | 1 | Fitting-Grease |
| 3 | 115-7708 | 1 | Yoke And Shaft |
| 4 | 115-7709 | 1 | Yoke, Tube And Slip Sleeve ASM |
| 5 | 115-7707 | 1 | Yoke |
| 6 | 136-6338 | 1 | Yoke And Shaft ASM |



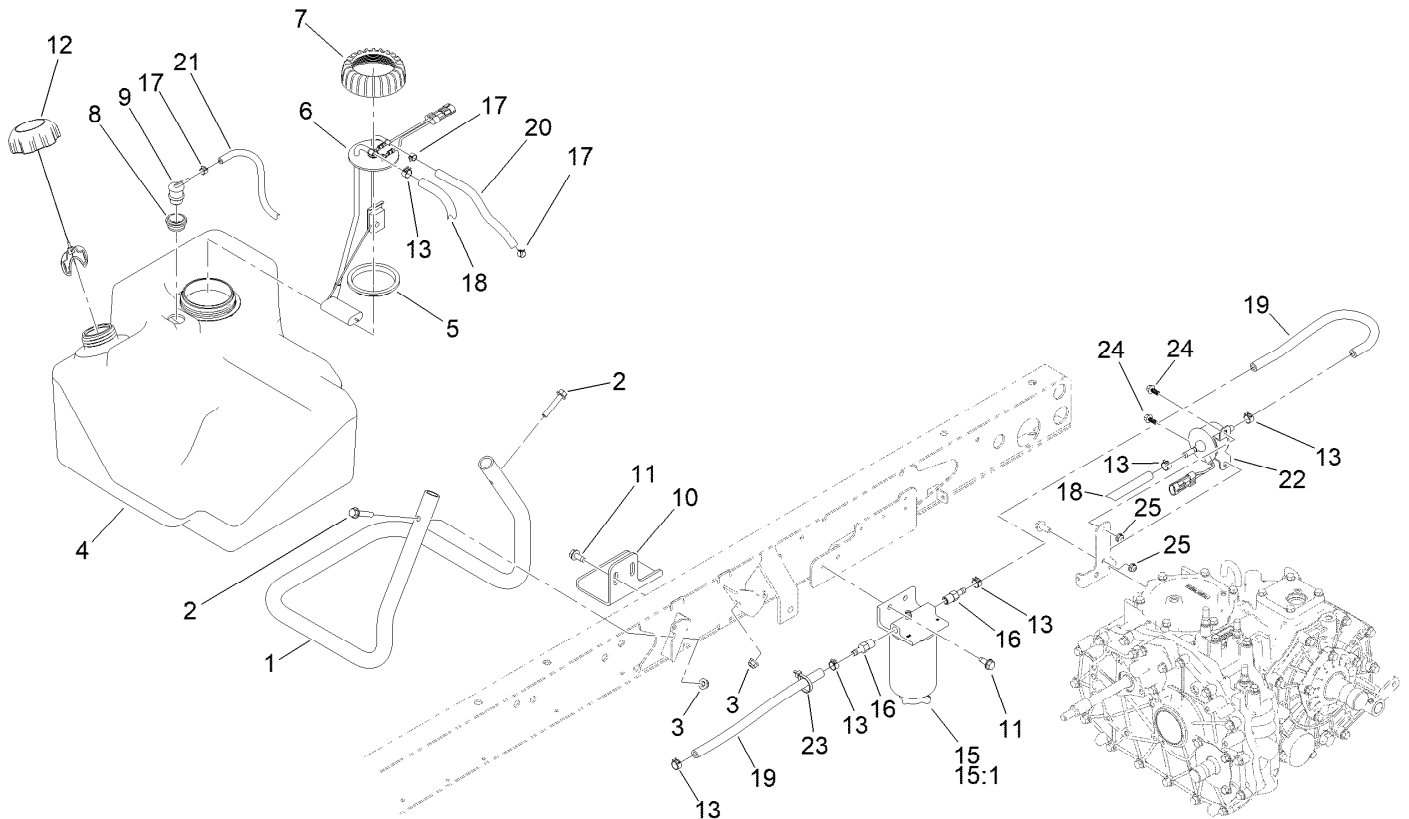
Battery Assembly

| <i>Ref.</i> | <i>Part Number</i> | <i>Qty.</i> | <i>Description</i> |
|-------------|--------------------|-------------|----------------------------------|
| 1 | 115-2237-03 | 1 | Tray-Battery |
| 2 | 3230-5 | 1 | Bolt-CARR |
| 3 | 138-6335 | 1 | Retainer-Battery |
| 4 | 104-8300 | 3 | Nut-HF, NI |
| 5 | 94-5780 | 2 | Screw-HWH |
| 7 | 119-9496 | 1 | Cover-Battery |
| 8 | 122-0204 | 1 | Cable-Battery, Positive |
| 9 | 122-1024 | 1 | Cable-Battery, Negative |
| 10 | 106-5187 | 1 | Battery, 525 CCA W/O Electrolyte |
| 11 | 63-7790 | 1 | Screw-Cap |
| 12 | 33095-00 | 1 | Washer-Flat |



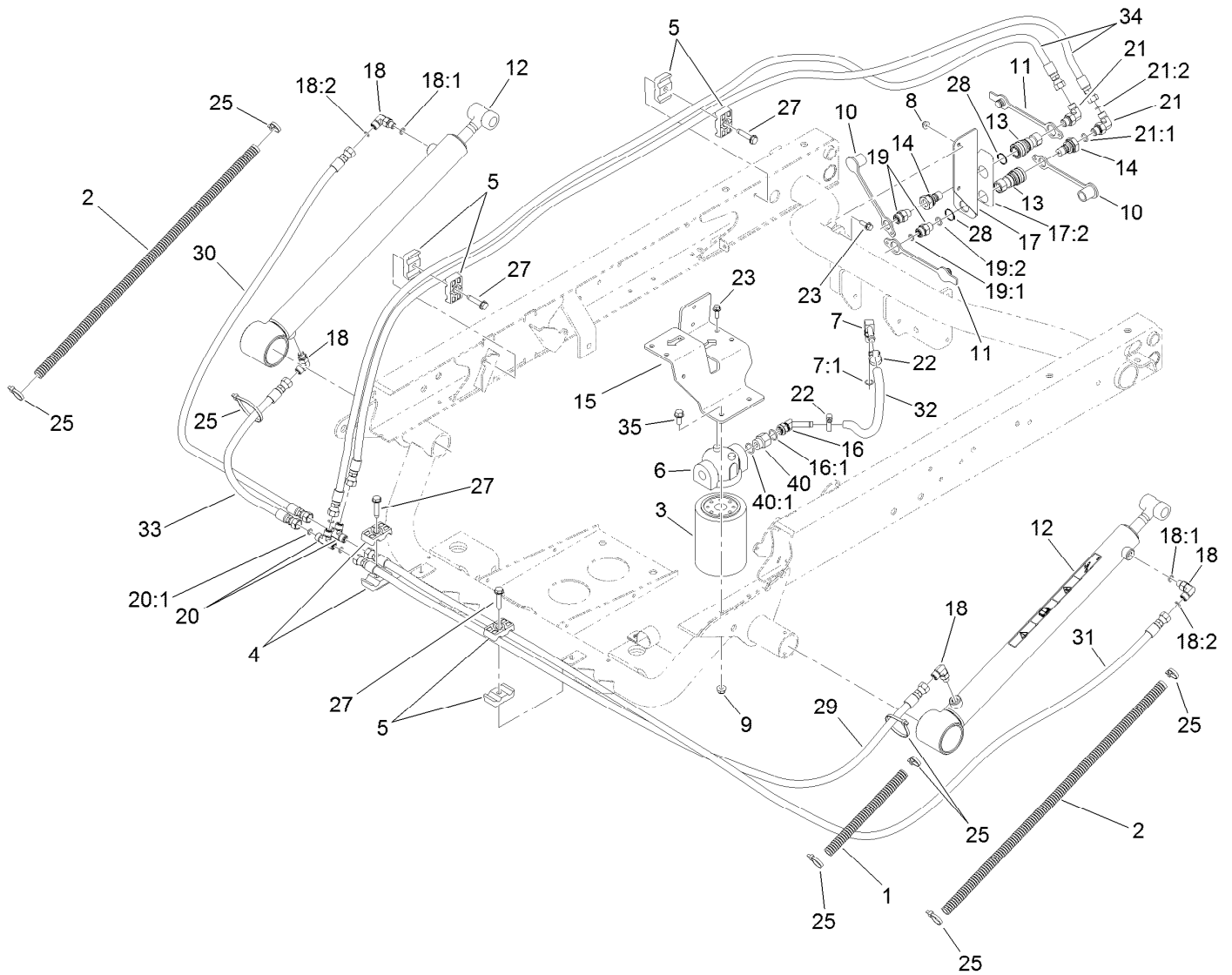
Tail Light and Fender Assembly

| <i>Ref.</i> | <i>Part Number</i> | <i>Qty.</i> | <i>Description</i> |
|-------------|--------------------|-------------|----------------------------|
| 1 | 132-6701 | 2 | Fender-Rear |
| 2 | 93-8943-03 | 1 | Bracket-Fender, Rear (LH) |
| 3 | 93-8944-03 | 1 | Bracket-Fender, Rear (RH) |
| 4 | 93-8941-03 | 1 | Bracket-Fender, Front (LH) |
| 5 | 93-8942-03 | 1 | Bracket-Fender, Front (RH) |
| 6 | 144-2190-03 | 2 | Bracket-Tail Light, LED |
| 7 | 139-2071 | 2 | Light-Rear Tail/Stop/Turn |
| 8 | 2412-93 | 2 | Clamp-R |
| 10 | 3234-17 | 4 | Screw-HHF |
| 11 | 104-8300 | 4 | Nut-HF, NI |
| 12 | 32105-15 | 12 | Screw-HWH |
| 13 | 126-1696 | 6 | Screw-HWHTF |
| 14 | 104-7201 | 12 | Nut-HF, NI |
| 15 | 120-4578 | 4 | Nut-HF |
| 16 | 3250-52 | 4 | Screw-PPH |



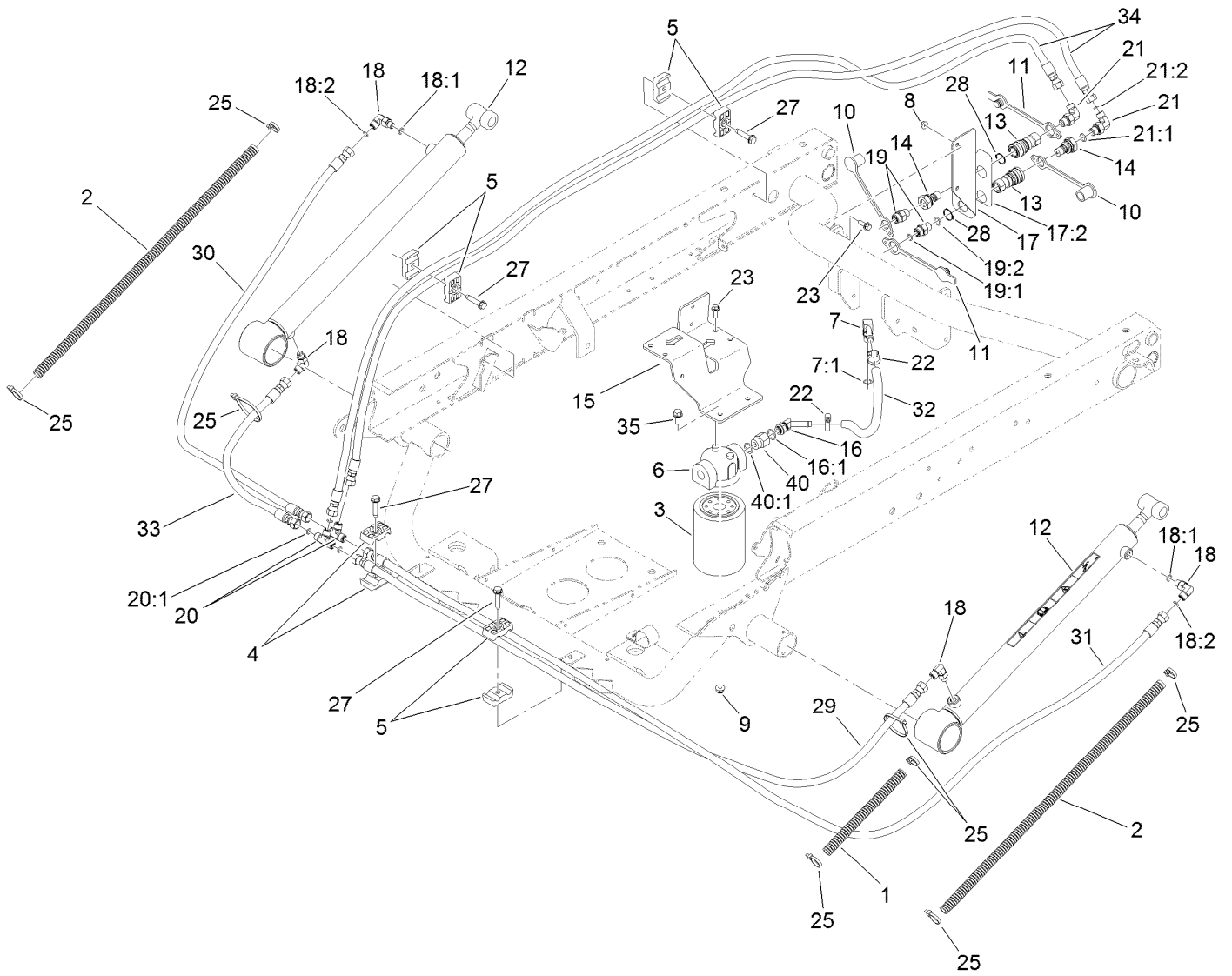
Fuel System Assembly

| Ref. | Part Number | Qty. | Description | Ref. | Part Number | Qty. | Description |
|------|-------------|------|-------------------|------|-------------|------|----------------------------|
| 1 | 115-7767-0P | 1 | Tube-Support | 15 | 110-9044 | 1 | Separator-Filter |
| 2 | 94-5780 | 2 | Screw-HWH | 15:1 | 110-9049 | 1 | Filter-Spin On, Fuel/Water |
| 3 | 104-8300 | 2 | Nut-HF, NI | 16 | 353-783 | 2 | Fitting-STR |
| 4 | 119-0735 | 1 | Tank-Fuel | 17 | 2412-80 | 3 | Clamp-Hose |
| 5 | 115-2163 | 1 | Gasket-Pump, Fuel | 18 | 114-8206 | 1 | Hose-Fuel |
| 6 | 114-8348 | 1 | Sender-Fuel | 19 | 110-4101 | 2 | Hose-Fuel |
| 7 | 115-2162 | 1 | Cap-Pump, Fuel | 20 | 120-5022 | 1 | Hose-Fuel |
| 8 | 114-0284 | 1 | Grommet | 21 | 110-8255 | 1 | Hose-Fuel |
| 9 | 114-0285 | 1 | Valve-Rollover | 22 | 145-3154 | 1 | Pump-Fuel, Electric |
| 10 | 114-8404 | 1 | Plate-Retainer | 23 | 3290-379 | 1 | Tie-Cable |
| 11 | 32144-70 | 4 | Screw-HWHTF | 24 | 99-6810 | 2 | Screw-HHF |
| 12 | 115-7789 | 1 | Cap-Fuel, Diesel | 25 | 104-7201 | 2 | Nut-HF, NI |
| 13 | 92-2379 | 6 | Clamp-Hose | | | | |



Hydraulic Lift Cylinder Assembly

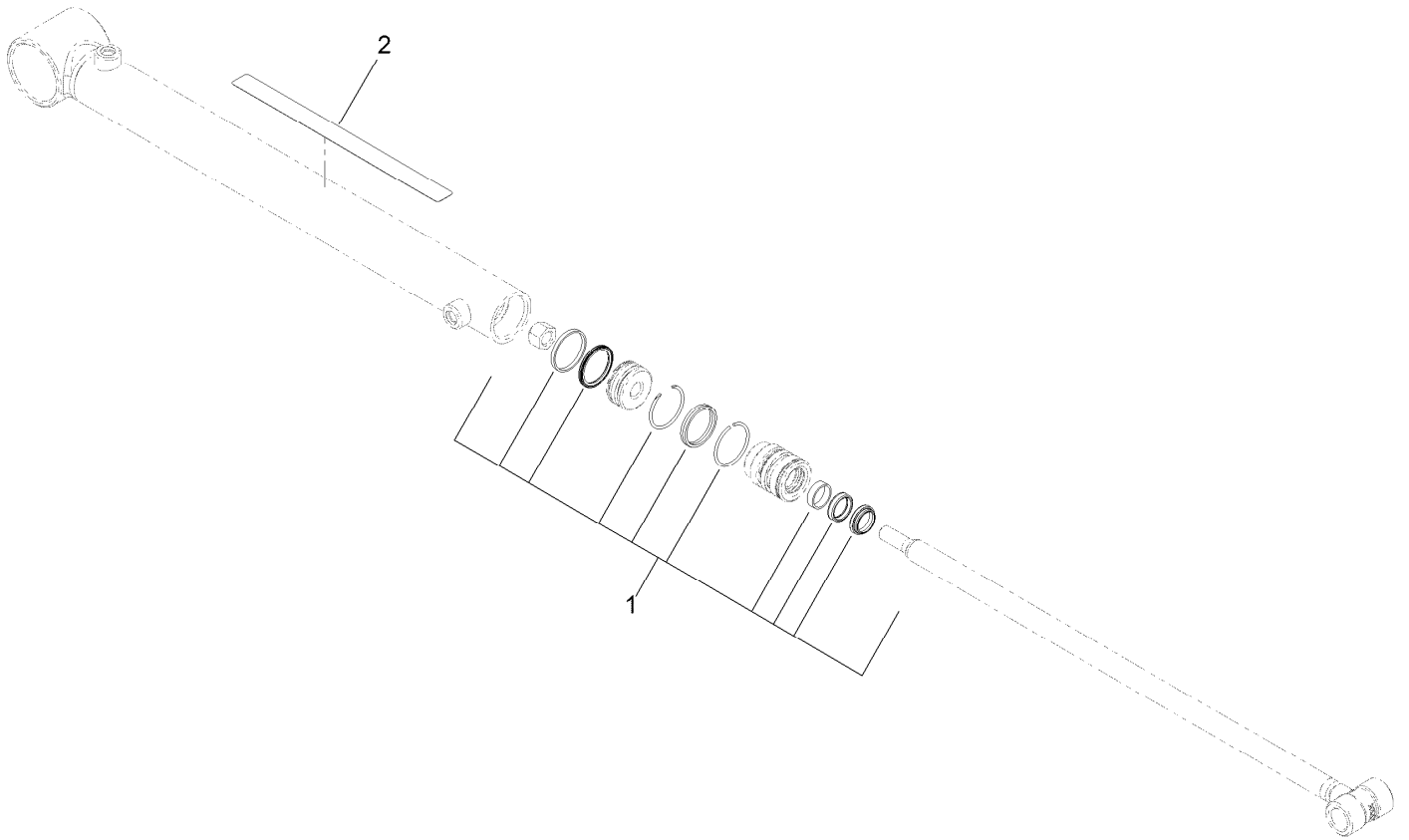
| Ref. | Part Number | Qty. | Description | Ref. | Part Number | Qty. | Description |
|------|-------------|------|--------------------------|------|-------------|------|-----------------------|
| 1 | 24-7922 | 1 | Conduit-Convolved, Split | 18:1 | 237-78 | 1 | O-Ring |
| 2 | 24-7923 | 2 | Conduit-Convolved, Split | 18:2 | 237-21 | 1 | O-Ring |
| 3 | 54-0110 | 1 | Filter-Oil, Transmission | 19 | 340-2 | 2 | Fitting-Straight |
| 4 | 56-7971 | 2 | Clamp-Tube | 19:1 | 237-22 | 1 | O-Ring |
| 5 | 56-7976 | 6 | Clamp-Tube | 19:2 | 237-42 | 1 | O-Ring |
| 6 | 87-8780 | 1 | Head-Filter | 20 | 340-21 | 2 | Fitting |
| 7 | 100-4887 | 1 | Fitting-Elbow, 90 | 20:1 | 237-21 | 3 | O-Ring |
| 7:1 | 237-42 | 1 | O-Ring | 21 | 340-82 | 2 | Fitting-Elbow, 90 DEG |
| 8 | 104-7201 | 2 | Nut-HF, NI | 21:1 | 237-42 | 1 | O-Ring |
| 9 | 104-8300 | 2 | Nut-HF, NI | 21:2 | 237-21 | 1 | O-Ring |
| 10 | 106-7881 | 2 | Cap-Dust, HYD | 22 | 2412-36 | 2 | Clamp-Hose |
| 11 | 106-7882 | 2 | Plug-Dust, HYD | 23 | 3234-4 | 4 | Screw-HHF |
| 12 | 133-0620 | 2 | HYD Cylinder ASM | 25 | 3290-379 | 6 | Tie-Cable |
| 13 | 106-7968 | 2 | Coupler-Quick, Female | 27 | 32144-57 | 4 | Screw |
| 14 | 106-7969 | 2 | Coupler-Quick, Male | 28 | 32151-83 | 2 | Ring-Snap |
| 15 | 115-2168-OP | 1 | Bracket-Mount-Filter | 29 | 115-7711 | 1 | Hose-HYD |
| 16 | 103-1807 | 1 | Fitting-Barbed, 45 DEG | 30 | 108-6508 | 1 | Hose-HYD |
| 16:1 | 237-42 | 1 | O-Ring | 31 | 104-3716 | 1 | Hose-HYD |
| 17 | 139-4530 | 1 | Coupler Bracket ASM | 32 | 115-2228 | 1 | Hose-HYD |
| 17:2 | 115-7723 | 1 | Decal-Disconnect, Quick | 33 | 110-0931 | 1 | Hose-HYD |
| 18 | 340-132 | 4 | Fitting-Elbow, 90 DEG | 34 | 106-3680 | 2 | Hose-HYD |



Hydraulic Lift Cylinder Assembly (continued)

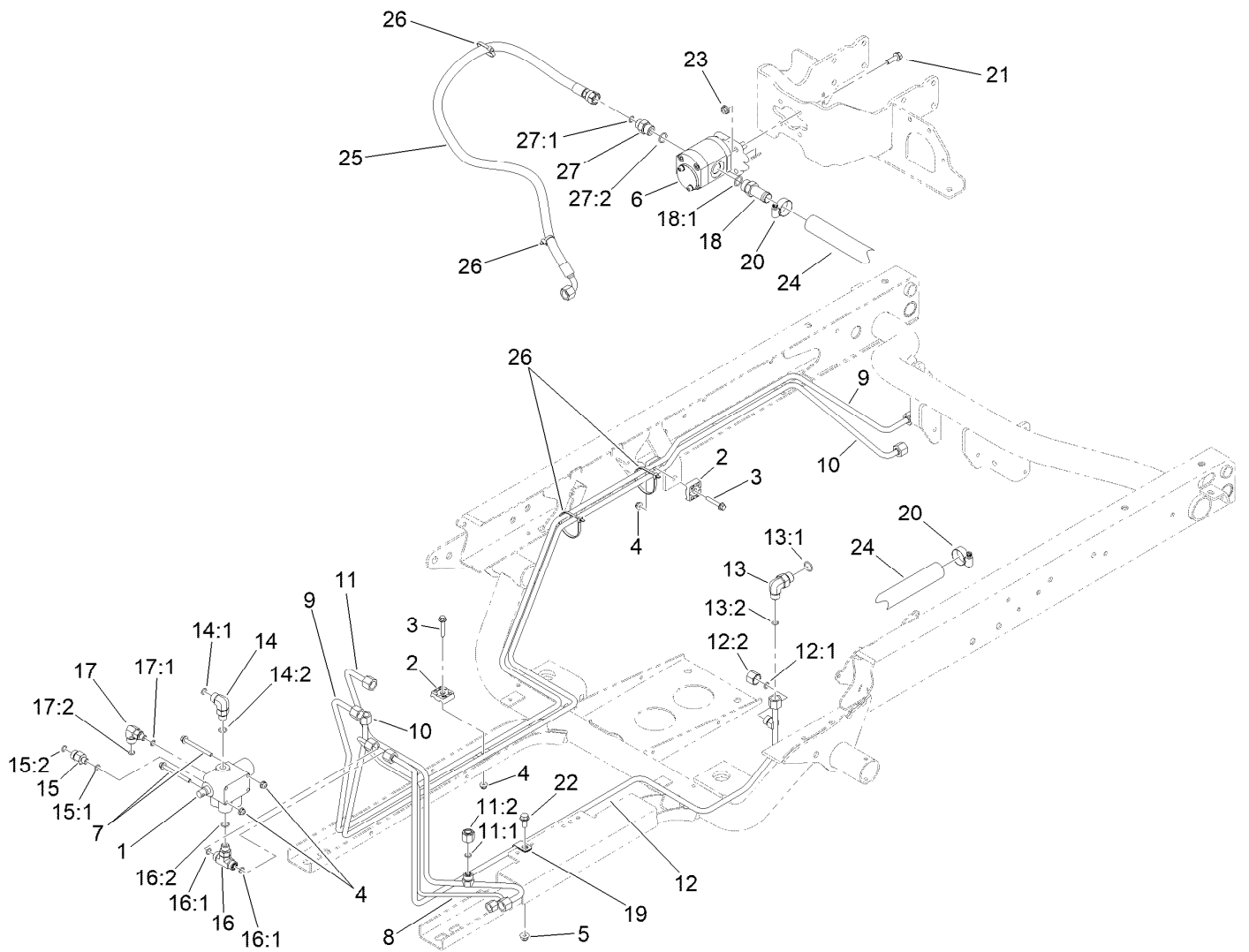
| <i>Ref.</i> | <i>Part Number</i> | <i>Qty.</i> | <i>Description</i> |
|-------------|--------------------|-------------|--------------------|
| 35 | 3234-5 | 2 | Screw-HHF |

| <i>Ref.</i> | <i>Part Number</i> | <i>Qty.</i> | <i>Description</i> |
|-------------|--------------------|-------------|--------------------|
| 40 | 353-397 | 1 | Reducer-Adapter |
| 40:1 | 237-79 | 1 | O-Ring |



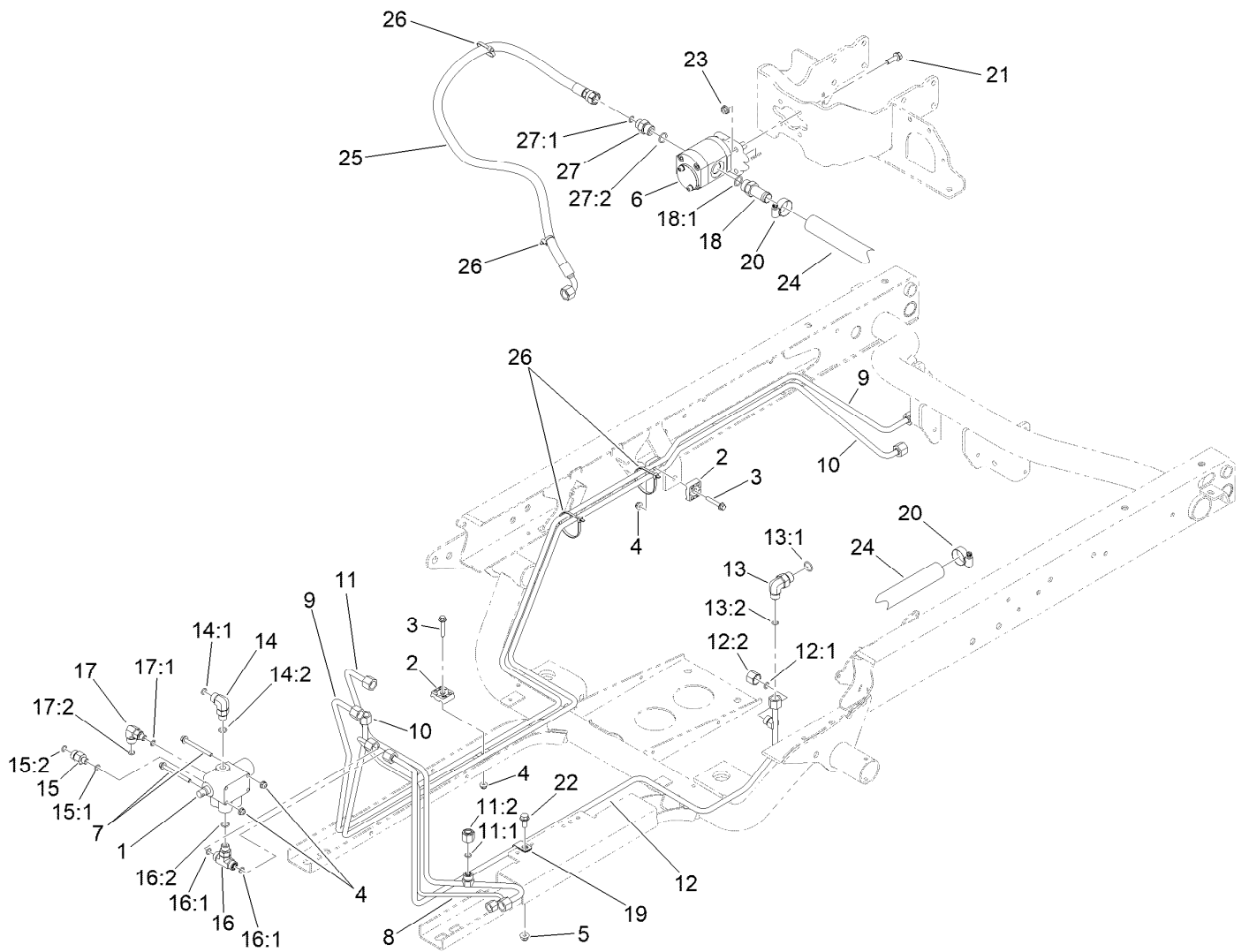
Hydraulic Cylinder Assembly No. 133-0620

| <i>Ref.</i> | <i>Part Number</i> | <i>Qty.</i> | <i>Description</i> |
|-------------|--------------------|-------------|--------------------|
| 1 | 133-0618 | 1 | Cylinder Seal Kit |
| 2 | 93-9852 | 1 | Decal-Warning |



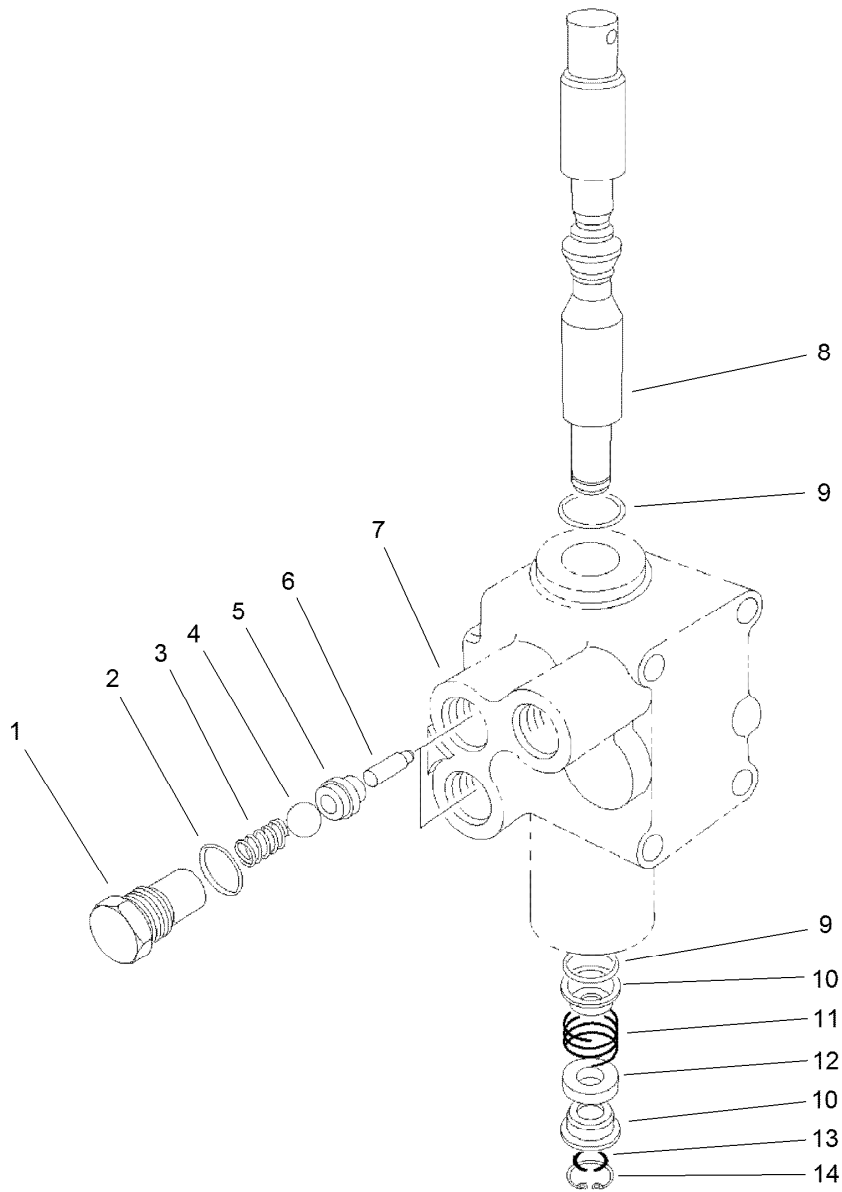
Main Hydraulic Pump and Lift Valve Assembly

| Ref. | Part Number | Qty. | Description | Ref. | Part Number | Qty. | Description |
|------|-------------|------|-----------------------|------|-------------|------|-----------------------|
| 1 | 43-1950 | 1 | HYD Control Valve ASM | 14:2 | 237-42 | 1 | O-Ring |
| 2 | 56-7973 | 4 | Clamp-Tube | 15 | 340-88 | 1 | Fitting-Straight |
| 3 | 94-5781 | 2 | Screw-HHF | 15:1 | 237-22 | 1 | O-Ring |
| 4 | 104-7201 | 4 | Nut-HF, NI | 15:2 | 237-78 | 1 | O-Ring |
| 5 | 104-8300 | 1 | Nut-HF, NI | 16 | 340-94 | 1 | Adapter |
| 6 | 114-8302 | 1 | HYD Pump ASM | 16:1 | 237-22 | 2 | O-Ring |
| 7 | 114-8410 | 2 | Screw-HHF | 16:2 | 237-42 | 1 | O-Ring |
| 8 | 127-8605 | 1 | Tube-HYD | 17 | 340-97 | 1 | Fitting-Elbow, 90 DEG |
| 9 | 115-2217 | 1 | Tube-HYD | 17:1 | 237-22 | 1 | O-Ring |
| 10 | 115-2218 | 1 | Tube-HYD | 17:2 | 237-78 | 1 | O-Ring |
| 11 | 127-8604 | 1 | Tube-HYD | 18 | 354-136 | 1 | Fitting-STR |
| 11:1 | 237-22 | 1 | O-Ring | 18:1 | 237-80 | 1 | O-Ring |
| 11:2 | 340-117 | 1 | Cap | 19 | 2412-113 | 1 | Clamp-R |
| 12 | 127-8752 | 1 | Tube-HYD | 20 | 2412-129 | 2 | Clamp-Hose |
| 12:1 | 237-22 | 1 | O-Ring | 21 | 3234-17 | 4 | Screw-HHF |
| 12:2 | 340-117 | 1 | Cap | 22 | 3234-5 | 1 | Screw-HHF |
| 13 | 340-18 | 1 | Fitting-HYD, 90 DEG | 23 | 32128-20 | 4 | Nut-HF |
| 13:1 | 237-79 | 1 | O-Ring | 24 | 87-3670 | 1 | Hose-Suction |
| 13:2 | 237-22 | 1 | O-Ring | 25 | 145-2295 | 1 | Hydraulic Hose ASM |
| 14 | 340-77 | 1 | Fitting-Elbow, 90 DEG | 26 | 3290-379 | 4 | Tie-Cable |
| 14:1 | 237-22 | 1 | O-Ring | 27 | 340-3 | 1 | Fitting-Straight |



Main Hydraulic Pump and Lift Valve Assembly (continued)

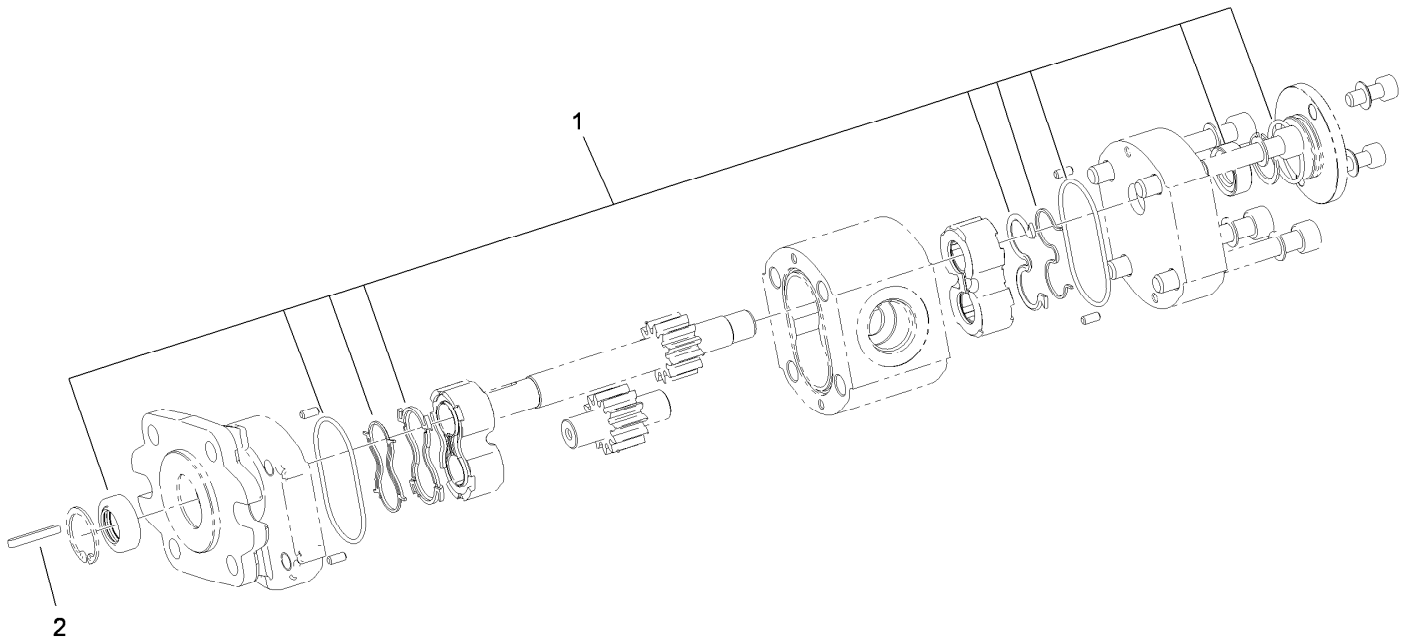
| <i>Ref.</i> | <i>Part Number</i> | <i>Qty.</i> | <i>Description</i> |
|-------------|--------------------|-------------|--------------------|
| 27:1 | 237-22 | 1 | O-Ring |
| 27:2 | 237-79 | 1 | O-Ring |



Control Valve Assembly No. 43-1950

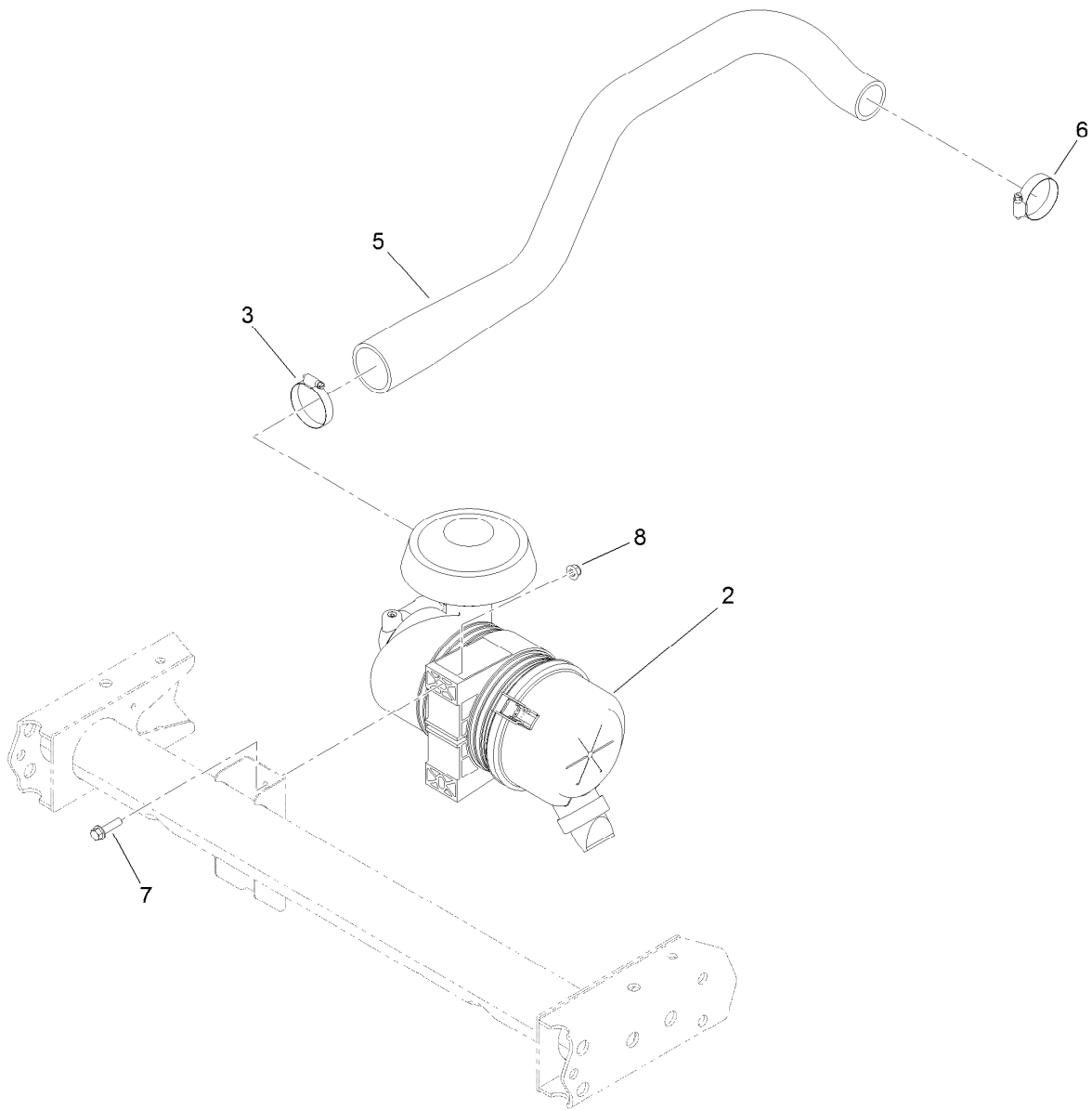
| Ref. | Part Number | Qty. | Description |
|------|-------------|------|-------------|
| 1 | 22-8330 | 2 | Plug |
| 2 | 237-42 | 2 | O-Ring |
| 3 | 22-8340 | 2 | Spring |
| 4 | 22-8350 | 2 | Ball |
| 5 | 22-8370 | 2 | Seat-Valve |
| 6 | 22-8360 | 2 | Pin |
| 7 | | 1 | Body ● |
| 8 | 22-8420 | 1 | Spool |
| 9 | 22-8500 | 2 | O-Ring |
| 10 | 22-8380 | 2 | Retainer |
| 11 | 22-8410 | 1 | Spring |
| 12 | 23-3030 | 1 | Spacer |
| 13 | 22-8480 | 1 | Ring-Snap |
| 14 | 22-8490 | 1 | Ring-Snap |

● Not serviced separately



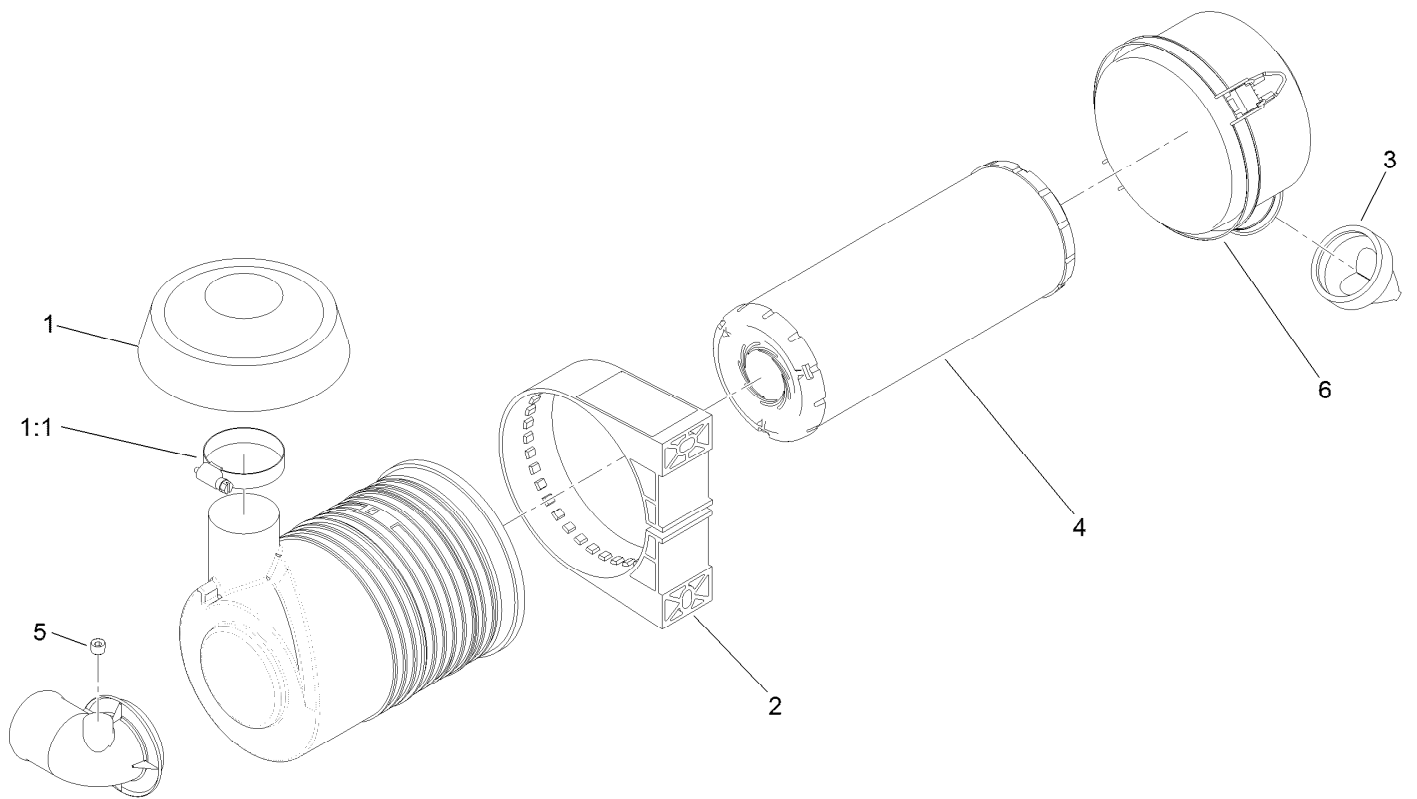
Hydraulic Gear Pump Assembly No. 114-8302

| <i>Ref.</i> | <i>Part Number</i> | <i>Qty.</i> | <i>Description</i> |
|-------------|--------------------|-------------|--------------------|
| 1 | 115-8696 | 1 | Seal Kit |
| 2 | 115-7855 | 1 | Key-Square |



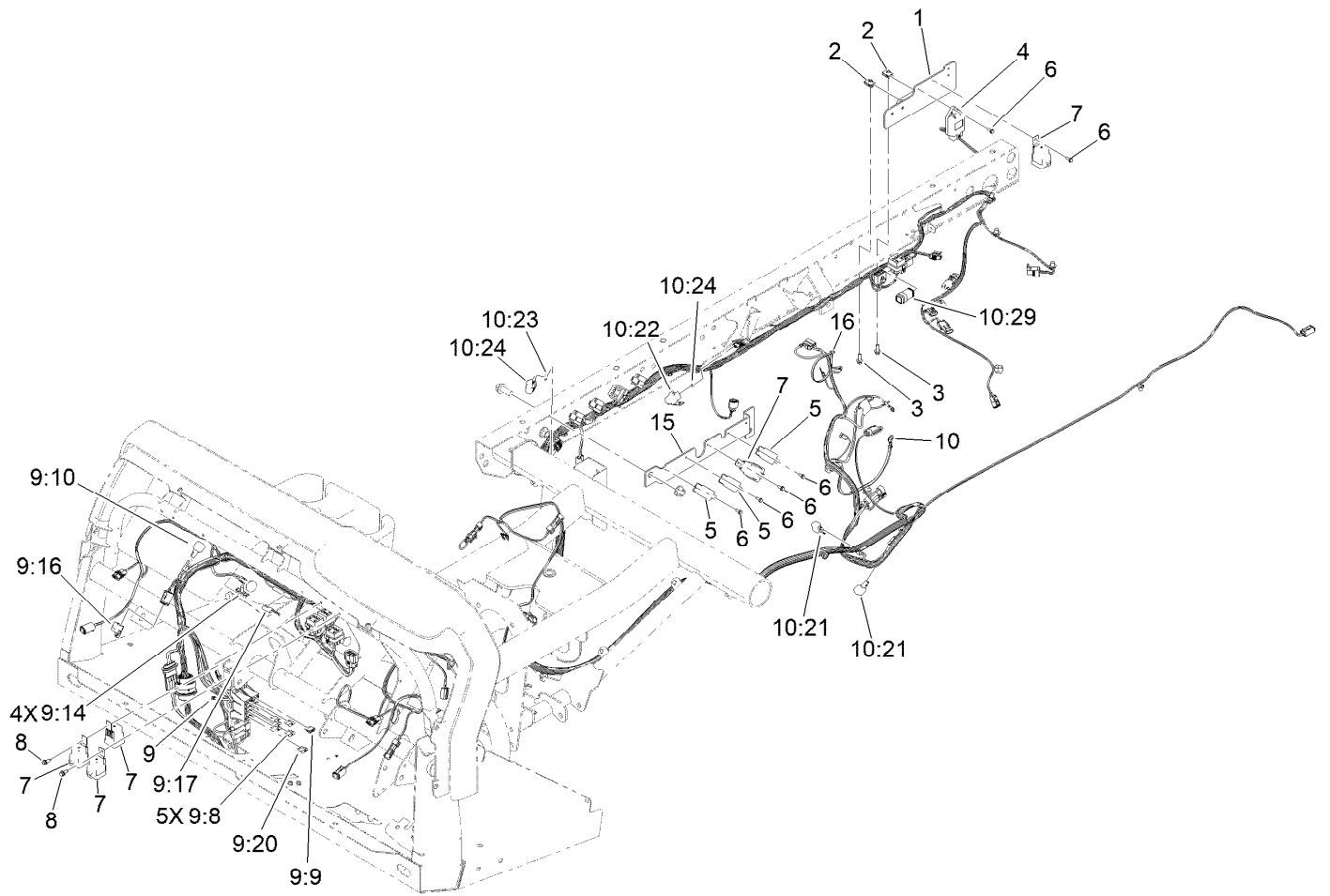
Air Cleaner Assembly

| <i>Ref.</i> | <i>Part Number</i> | <i>Qty.</i> | <i>Description</i> |
|-------------|--------------------|-------------|---------------------------|
| 2 | 138-5650 | 1 | Air Cleaner ASM |
| 3 | 2412-130 | 1 | Clamp-Hose |
| 5 | 120-5097 | 1 | Hose-Intake, Air (Diesel) |
| 6 | 2412-3 | 1 | Clamp-Hose |
| 7 | 3234-29 | 2 | Screw-HHF |
| 8 | 104-8300 | 2 | Nut-HF, NI |



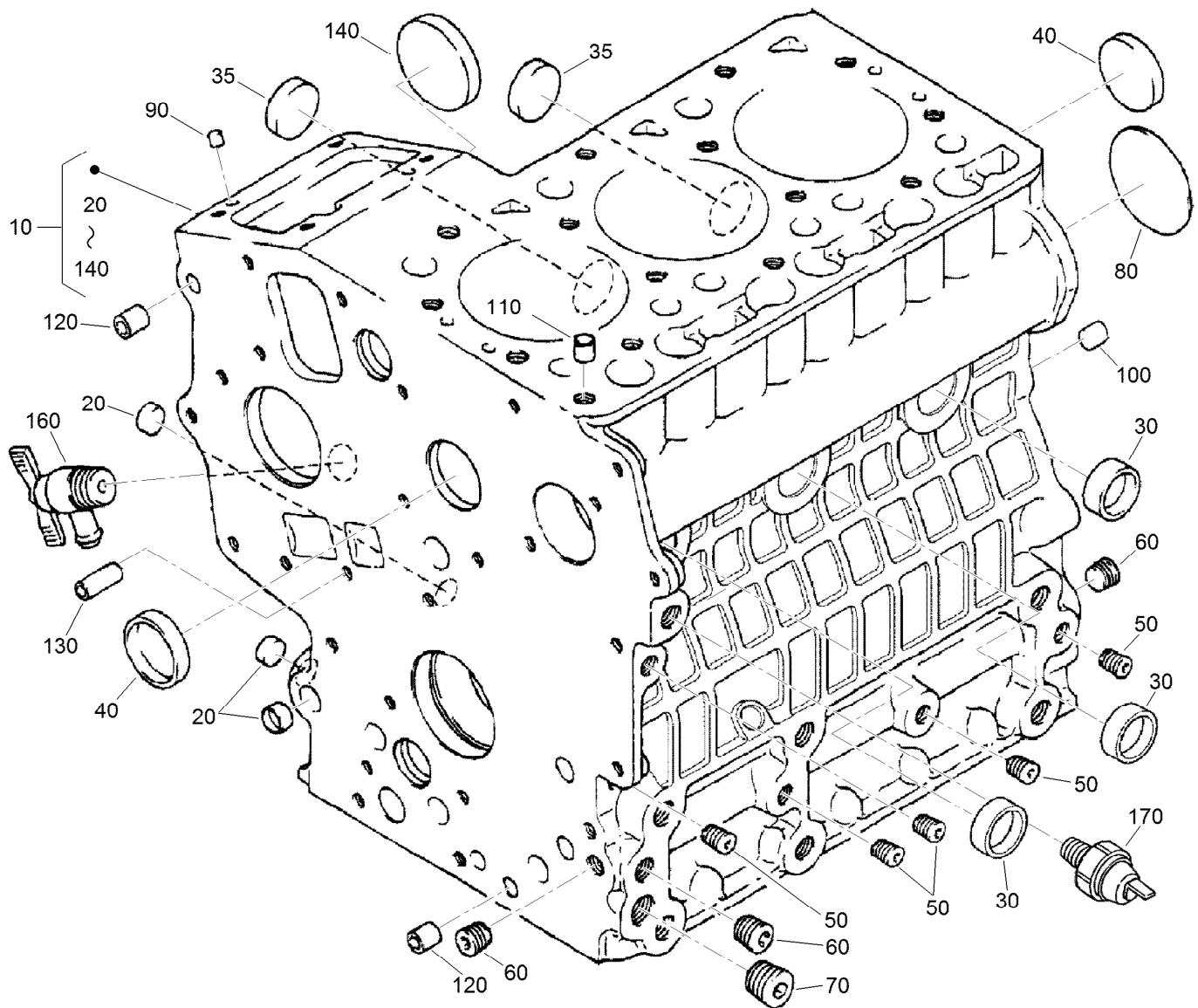
Air Cleaner Assembly No. 138-5650

| <i>Ref.</i> | <i>Part Number</i> | <i>Qty.</i> | <i>Description</i> |
|-------------|--------------------|-------------|----------------------|
| 1 | 139-0686 | 1 | Rain Cap ASM |
| 1:1 | 2412-130 | 1 | Clamp-Hose |
| 2 | 98-4525 | 1 | Bracket-Cleaner, Air |
| 3 | 87-9400 | 1 | Valve-Vacuator |
| 4 | 108-3810 | 1 | Filter-Air |
| 5 | 285-17 | 1 | Plug-Pipe |
| 6 | 98-9771 | 1 | Cover ASM |



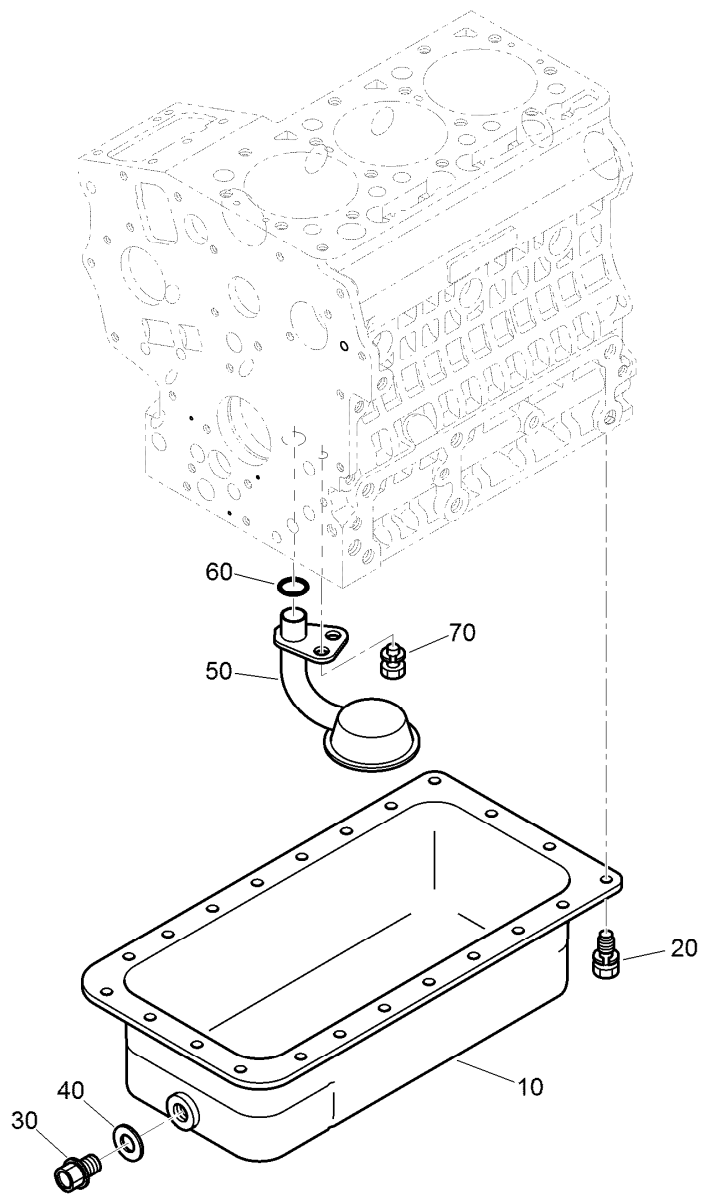
Front and Rear Wire Harness Assembly

| <i>Ref.</i> | <i>Part Number</i> | <i>Qty.</i> | <i>Description</i> | <i>Ref.</i> | <i>Part Number</i> | <i>Qty.</i> | <i>Description</i> |
|-------------|--------------------|-------------|----------------------------------|-------------|--------------------|-------------|---------------------------------|
| 1 | 132-6714-0P | 1 | Bracket-Mount, Filter | 9:14 | 32180-012 | 4 | Clip-Harness |
| 2 | 107069 | 2 | Clip | 9:16 | 32180-156 | 1 | Cap-Plug, 6 Way |
| 3 | 3234-4 | 2 | Screw-HHF | 9:17 | 32180-416 | 1 | Cap-Tethered |
| 4 | 98-7611 | 1 | Controller-Glow | 9:20 | 109101 | 1 | Fuse-Blade, 20 Amp |
| 5 | 99-7435 | 3 | Relay | 10 | 122-2360 | 1 | Harness-Wire, HDX, Diesel, Rear |
| 6 | 32144-112 | 6 | Screw-HWH | 10:21 | 100-4918 | 2 | Diode |
| 7 | 99-7430 | 5 | Relay-Mini | 10:22 | 121-8867 | 1 | Fuse-Mini Blade, 15 Amp |
| 8 | 32144-10 | 2 | Screw-HWH | 10:23 | 121-8870 | 1 | Fuse-Mini Blade, 30 Amp |
| 9 | 122-2359 | 1 | Harness-Wire, HDX, Diesel, Front | 10:24 | 32180-101 | 2 | Cover-Fuse, Single |
| 9:8 | 218-578 | 5 | Fuse-Blade, 10 Amp | 10:29 | 122-1131 | 1 | Capacitor-Sealed |
| 9:9 | 109355 | 1 | Fuse-Blade, 15 Amp | 15 | 132-6713-0P | 1 | Bracket-Mount, Relay |
| 9:10 | 100-4918 | 1 | Diode | 16 | 3290-379 | 1 | Tie-Cable |



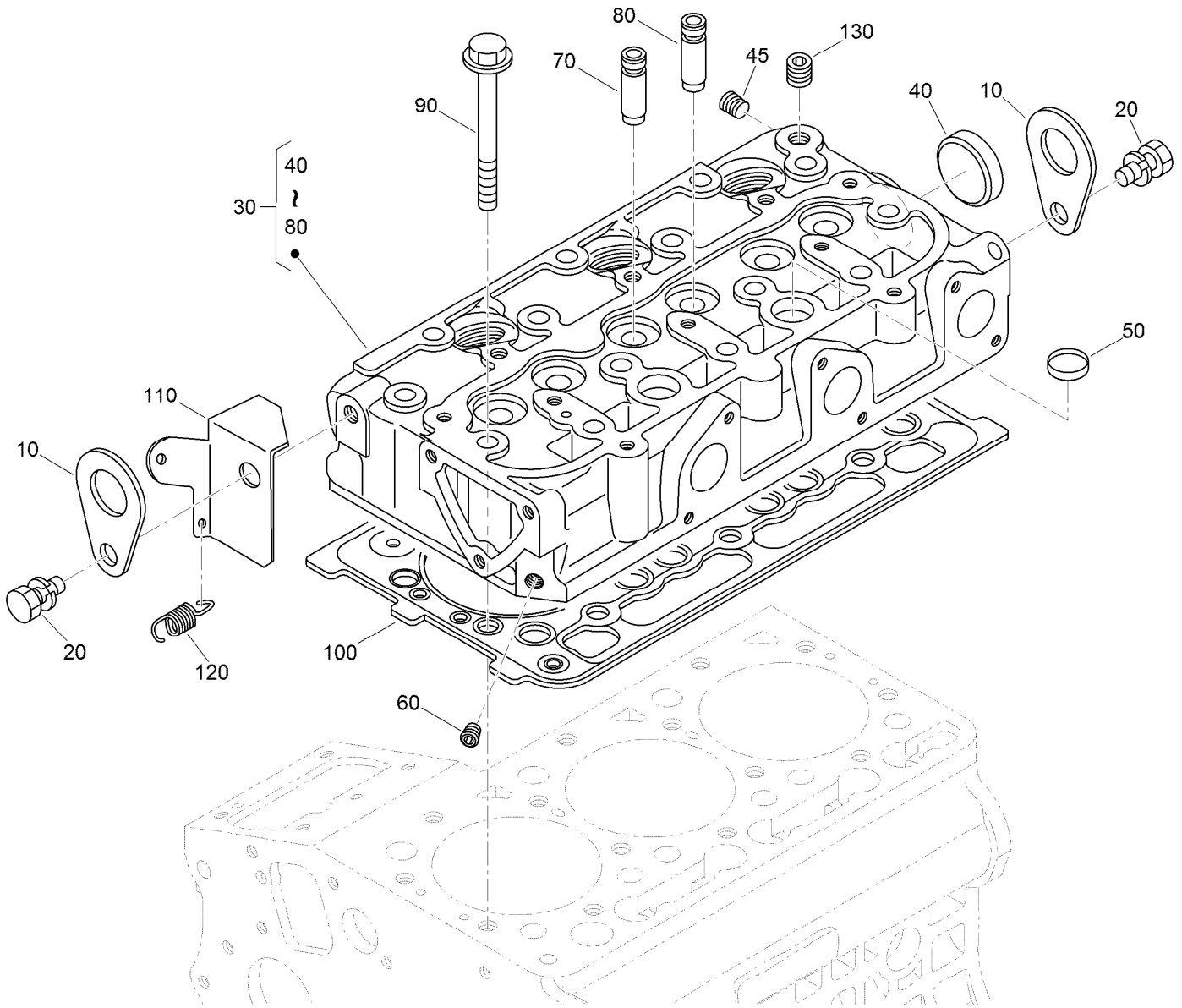
Crankcase Assembly

| <i>Ref.</i> | <i>Part Number</i> | <i>Qty.</i> | <i>Description</i> | <i>Ref.</i> | <i>Part Number</i> | <i>Qty.</i> | <i>Description</i> |
|-------------|--------------------|-------------|--------------------|-------------|--------------------|-------------|----------------------|
| 10 | 120-3120 | 1 | Crankcase ASM | 90 | 98-9375 | 2 | Pin-Straight |
| 20 | 100-2019 | 3 | Cap-Sealing | 100 | 98-9377 | 2 | Pin-Straight |
| 30 | 100-2020 | 3 | Cap-Sealing | 110 | 98-7506 | 1 | Pin-Pipe |
| 35 | 110-3702 | 2 | Cap-Sealing | 120 | 100-2051 | 2 | Pin-Pipe |
| 40 | 98-9398 | 2 | Cap-Sealing | 130 | 100-2051 | 2 | Pin-Pipe |
| 50 | 98-9687 | 5 | Plug | 140 | 100-1991 | 1 | Cover-Fuel, Camshaft |
| 60 | 98-7487 | 3 | Plug | 160 | 120-3121 | 1 | Draincock ASM |
| 70 | 98-7488 | 1 | Plug | 170 | 98-9416 | 1 | Switch-Oil |
| 80 | 100-1851 | 1 | Plug-Expansion | | | | |



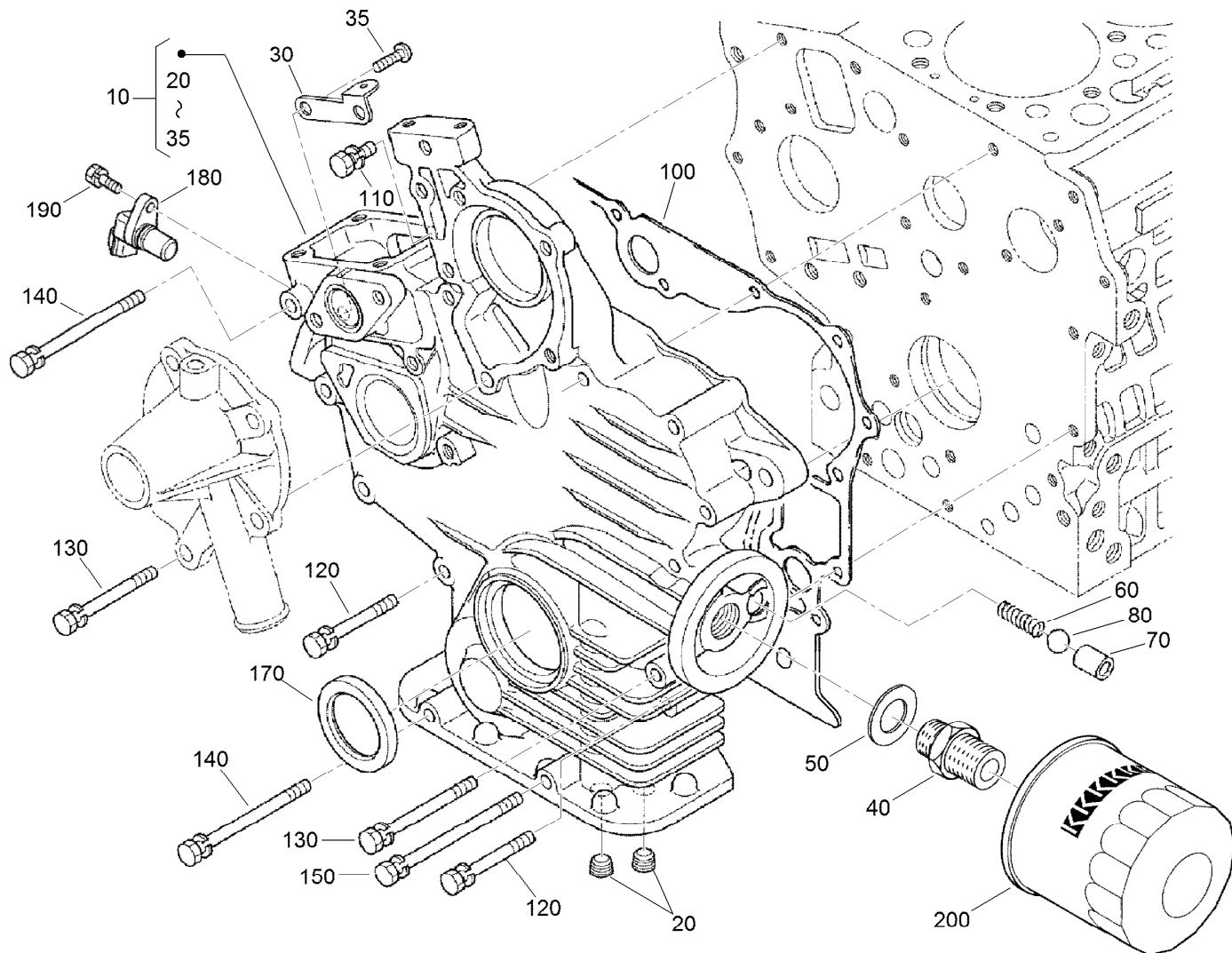
Oil Pan Assembly

| <i>Ref.</i> | <i>Part Number</i> | <i>Qty.</i> | <i>Description</i> |
|-------------|--------------------|-------------|--------------------|
| 10 | 125-9056 | 1 | Oil Pan ASM |
| 20 | 98-9350 | 22 | Bolt |
| 30 | 114-8151 | 1 | Plug-Drain |
| 40 | 98-7524 | 1 | Gasket |
| 50 | 125-9052 | 1 | Tube-Pick Up, Oil |
| 60 | 105-3776 | 1 | O-Ring |
| 70 | 100-9195 | 1 | Bolt |



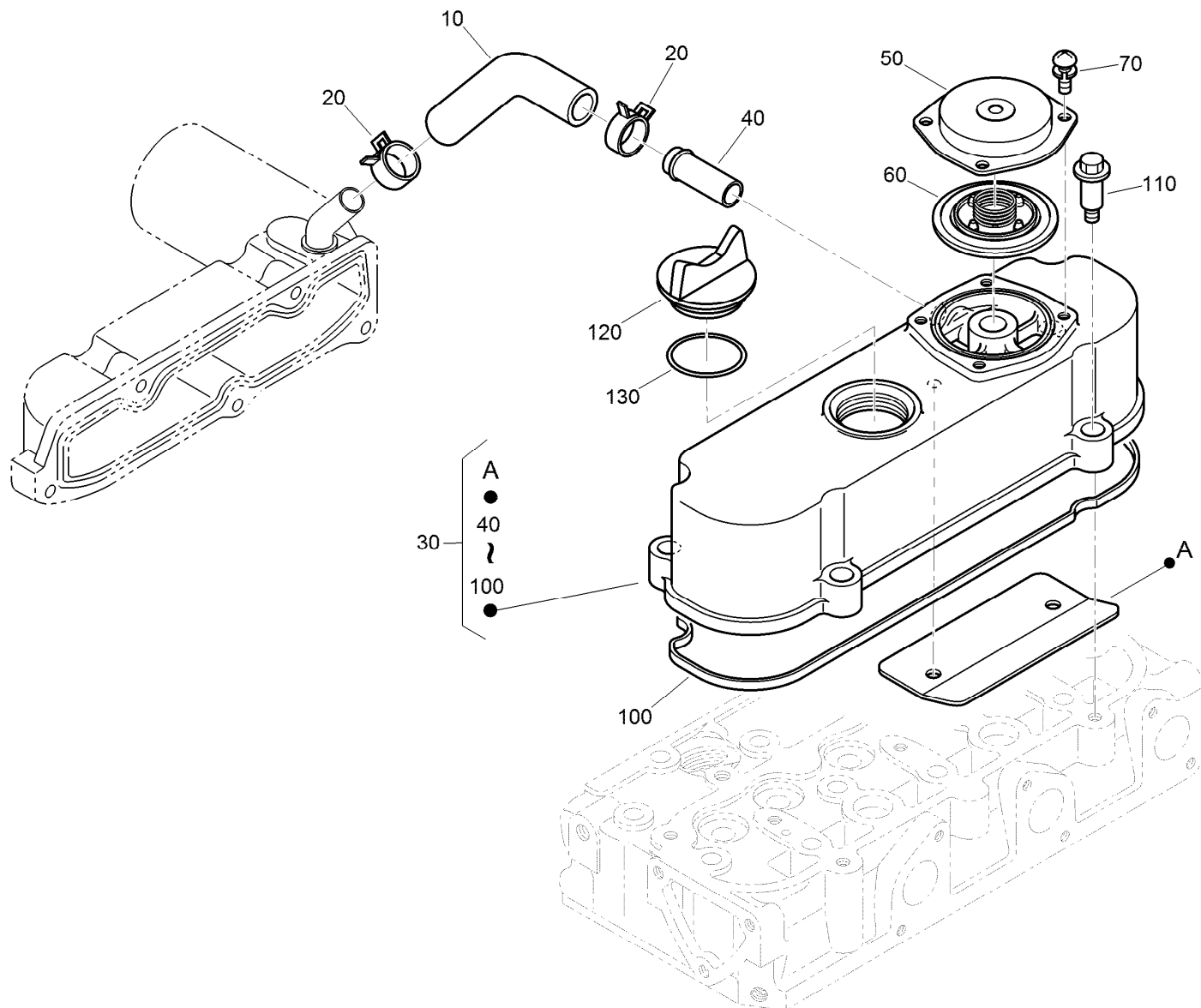
Cylinder Head Assembly

| Ref. | Part Number | Qty. | Description |
|------|-------------|------|-----------------------|
| 10 | 98-7531 | 2 | Hook-Engine |
| 20 | 98-7526 | 2 | Bolt |
| 30 | 130-1533 | 1 | Cylinder Head ASM |
| 40 | 105-3705 | 1 | Cap-Sealing |
| 45 | 125-9062 | 1 | Plug |
| 50 | 98-9389 | 2 | Cap-Sealing |
| 60 | 98-9687 | 1 | Plug |
| 70 | 100-1882 | 3 | Guide-Valve, Inlet |
| 80 | 100-1883 | 3 | Guide-Valve, Exhaust |
| 90 | 100-1820 | 14 | Bolt-Head, Cylinder |
| 100 | 112-2520 | 1 | Gasket-Head, Cylinder |
| 110 | 121-3810 | 1 | Stay |
| 120 | 121-3820 | 1 | Spring-Return |
| 130 | 98-9444 | 1 | Plug |



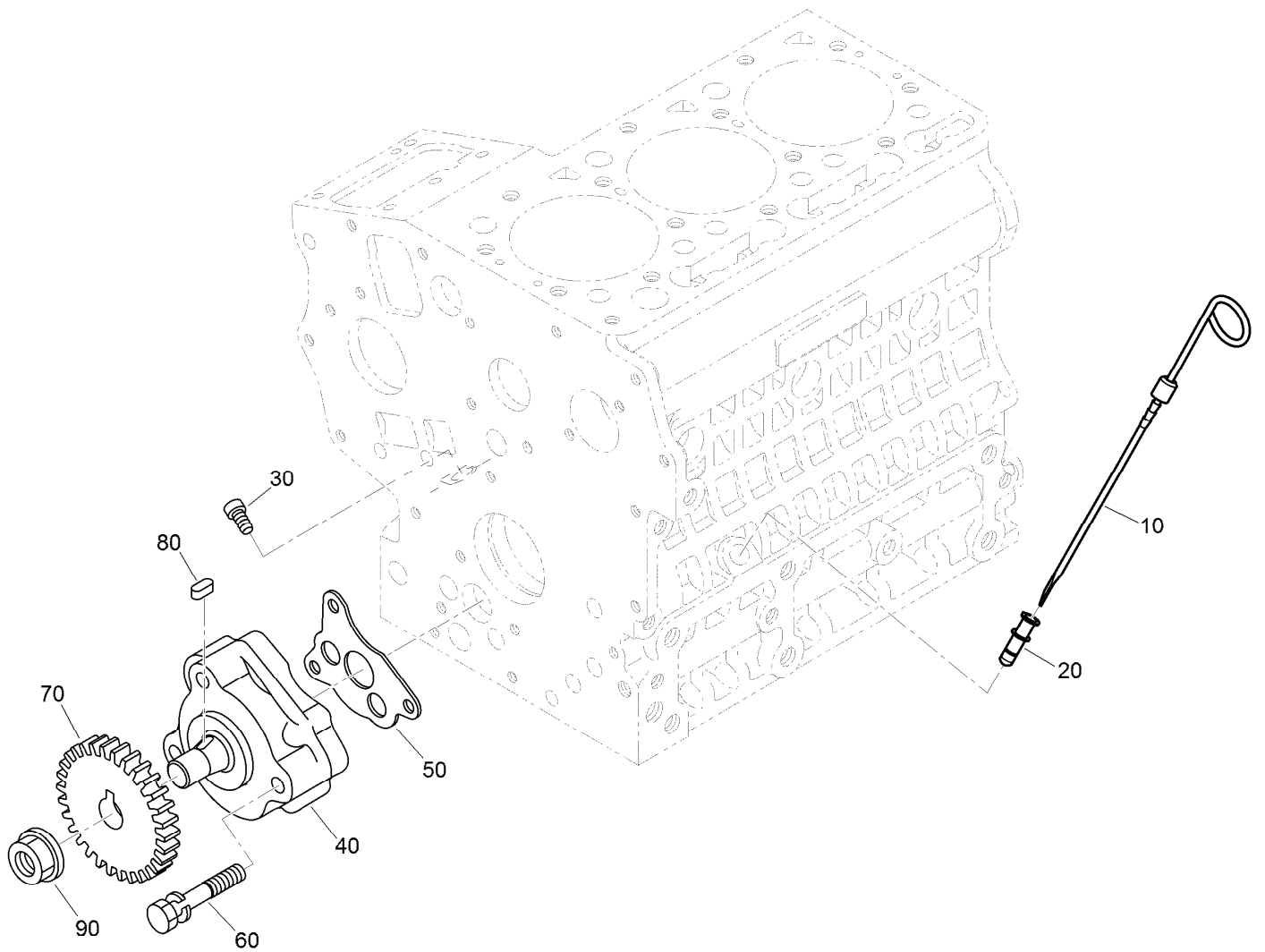
Gear Case and Oil Filter Cartridge Assembly

| <i>Ref.</i> | <i>Part Number</i> | <i>Qty.</i> | <i>Description</i> | <i>Ref.</i> | <i>Part Number</i> | <i>Qty.</i> | <i>Description</i> |
|-------------|--------------------|-------------|--------------------|-------------|--------------------|-------------|--------------------|
| 10 | 125-9057 | 1 | Gear Case ASM | 110 | 127-0403 | 1 | Bolt-Flange |
| 20 | 98-7488 | 2 | Plug | 120 | 125-9063 | 9 | Bolt-Sems |
| 30 | 110-3708 | 1 | Stay-Spring, Start | 130 | 100-1922 | 2 | Bolt |
| 35 | 100-2040 | 2 | Screw | 140 | 98-9357 | 2 | Bolt |
| 40 | 98-9388 | 1 | Joint-Pipe | 150 | 110-3710 | 1 | Bolt |
| 50 | 100-1926 | 1 | Washer-Plain | 170 | 120-7852 | 1 | Seal-Oil |
| 60 | 100-2004 | 1 | Spring | 180 | 125-9058 | 1 | Sensor-Revolution |
| 70 | 100-1894 | 1 | Seat-Valve | 190 | 98-7692 | 1 | Bolt |
| 80 | 100-1792 | 1 | Ball | 200 | 115-8189 | 1 | Filter-Oil, Engine |
| 100 | 117-0327 | 1 | Gasket-Case, Gear | | | | |



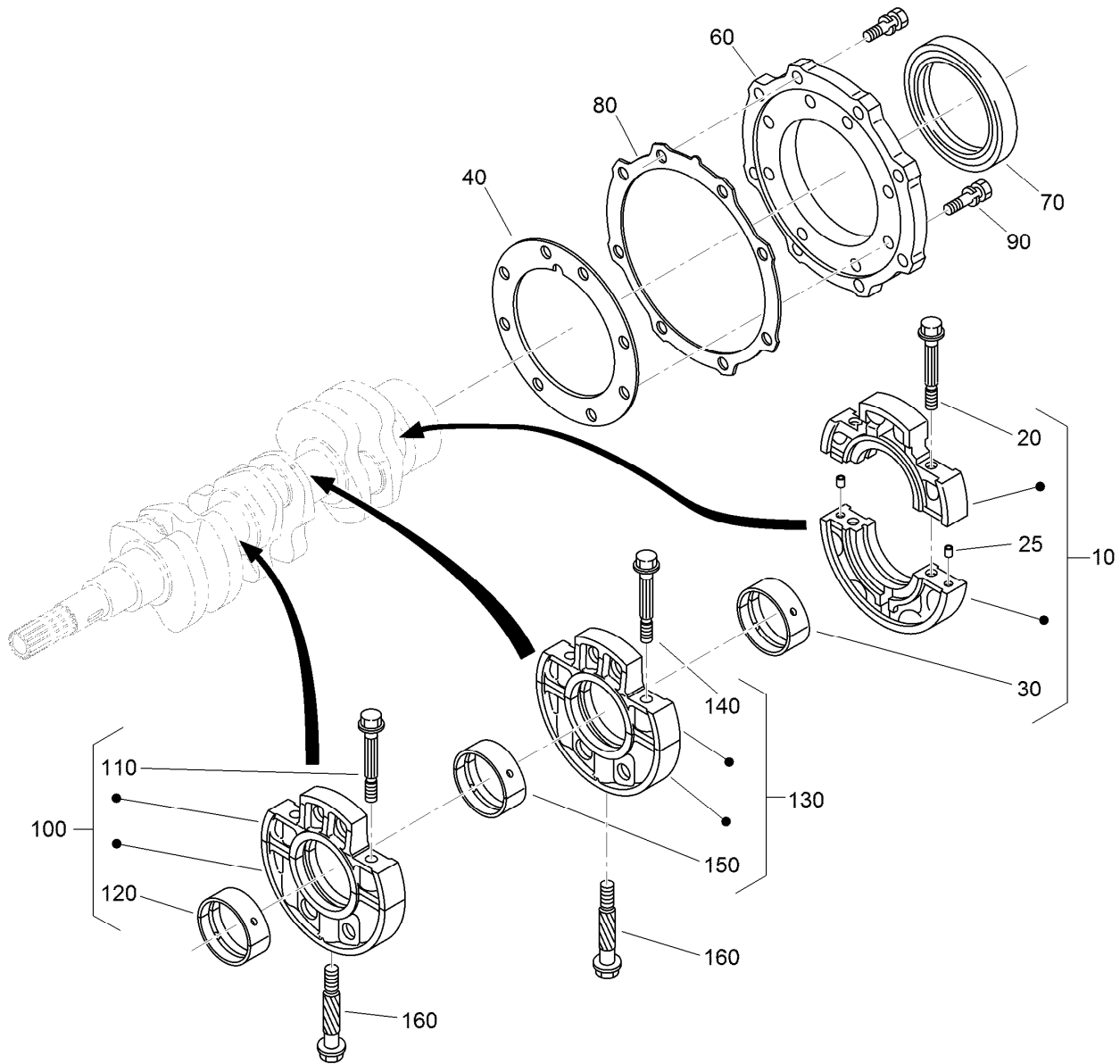
Cylinder Head Cover Assembly

| Ref. | Part Number | Qty. | Description |
|------|-------------|------|-------------------------|
| 10 | 120-3139 | 1 | Tube-Breather |
| 20 | 110-3712 | 2 | Clamp-Hose |
| 30 | 112-8332 | 1 | Cylinder Head Cover ASM |
| 40 | 98-9580 | 1 | Pipe-Return, Water |
| 50 | 110-3714 | 1 | Cover-Breather |
| 60 | 110-3715 | 1 | Valve-Breather |
| 70 | 98-9364 | 4 | Screw (With Washer) |
| 100 | 112-2521 | 1 | Gasket-Cover, Head |
| 110 | 108-7063 | 4 | Bolt |
| 120 | 107-9075 | 1 | Plug-Filler, Oil |
| 130 | 99-3446 | 1 | O-Ring |



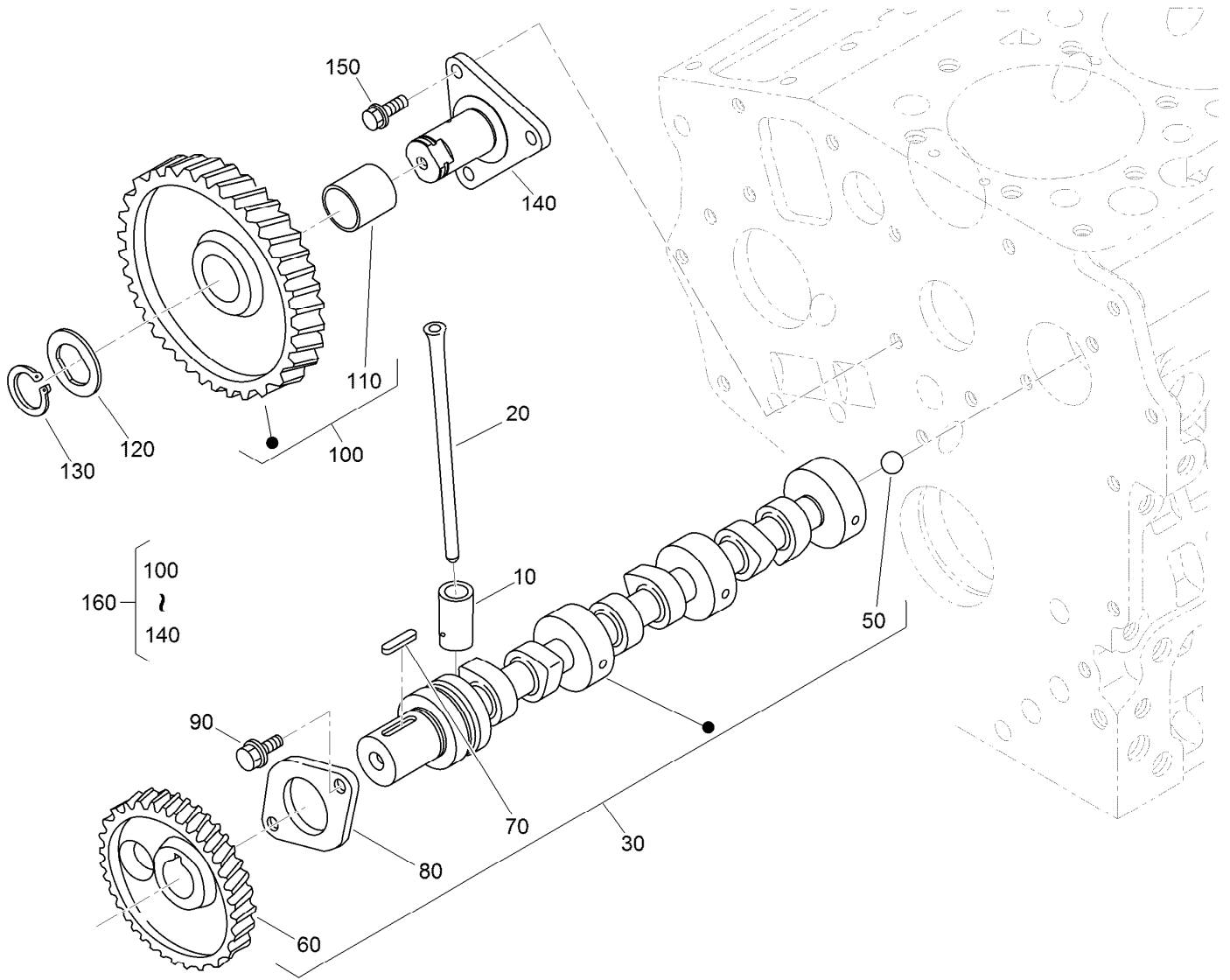
Oil Pump and Dipstick Assembly

| Ref. | Part Number | Qty. | Description |
|------|-------------|------|----------------------|
| 10 | 110-3719 | 1 | Gauge-Oil |
| 20 | 105-4580 | 1 | Guide-Gauge, Oil |
| 30 | 110-3720 | 1 | Plug-Gauge, Oil |
| 40 | 100-2002 | 1 | Oil Pump ASM |
| 50 | 100-2003 | 1 | Gasket-Pump, Oil |
| 60 | 100-1923 | 3 | Bolt |
| 70 | 130-1419 | 1 | Gear-Drive, Oil Pump |
| 80 | 98-7658 | 1 | Key-Feather |
| 90 | 100-1779 | 1 | Nut-Flange |



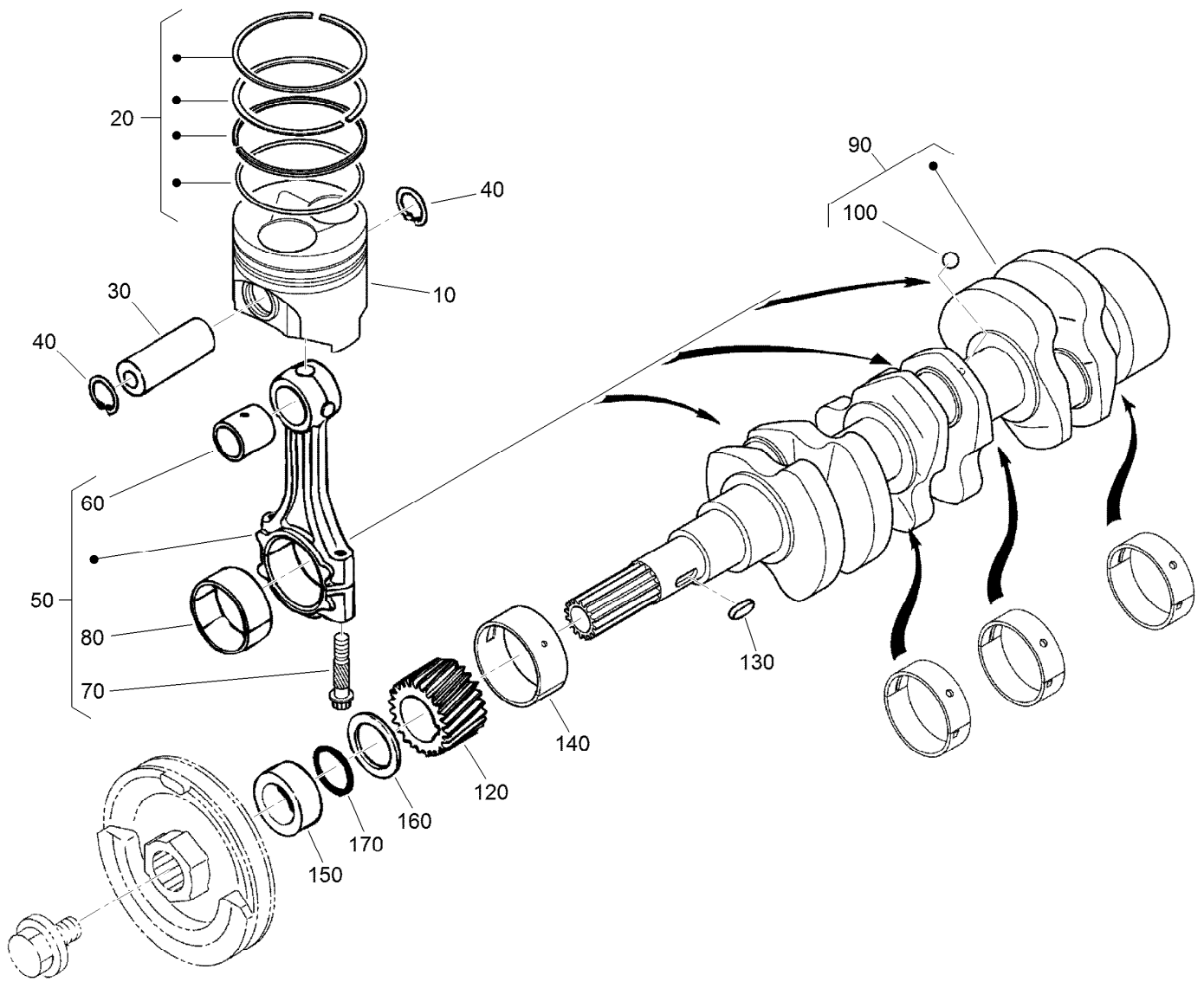
Main Bearing Case Assembly

| Ref. | Part Number | Qty. | Description | Ref. | Part Number | Qty. | Description |
|------|-------------|------|--------------------------------|------|-------------|------|--------------------------------|
| 10 | 125-9064 | 1 | Wheel Bearing Case ASM | 120 | 110-3741 | 1 | Crankshaft Metal ASM (STD) |
| 20 | 125-9065 | 2 | Bolt-Flange | 120 | 125-9083 | 1 | Crankshaft Metal ASM (-0.20Mm) |
| 25 | 125-9082 | 2 | Pin-Straight | 120 | 110-3743 | 1 | Crankshaft Metal ASM (-0.40Mm) |
| 30 | 125-9066 | 1 | Crankshaft Metal ASM (STD) | 130 | 125-9069 | 1 | Main Case Bearing ASM |
| 30 | 125-9067 | 1 | Crankshaft Metal ASM (-0.20Mm) | 140 | 110-3723 | 2 | Bolt-Case, Bearing |
| 30 | 125-9068 | 1 | Crankshaft Metal ASM (-0.40Mm) | 150 | 110-3741 | 1 | Crankshaft Metal ASM (STD) |
| 40 | 117-0304 | 1 | Gasket-Case, Bearing | 150 | 125-9083 | 1 | Crankshaft Metal ASM (-0.20Mm) |
| 60 | 112-8334 | 1 | Cover-Case, Bearing | 150 | 110-3743 | 1 | Crankshaft Metal ASM (-0.40Mm) |
| 70 | 110-3724 | 1 | Seal-Oil | 160 | 100-1874 | 2 | Bolt-Case, Bearing |
| 80 | 100-1876 | 1 | Gasket-Cover, Case | | | | |
| 90 | 100-1750 | 16 | Bolt | | | | |
| 100 | 110-3725 | 1 | Main Bearing Case ASM | | | | |
| 110 | 110-3723 | 2 | Bolt-Case, Bearing | | | | |



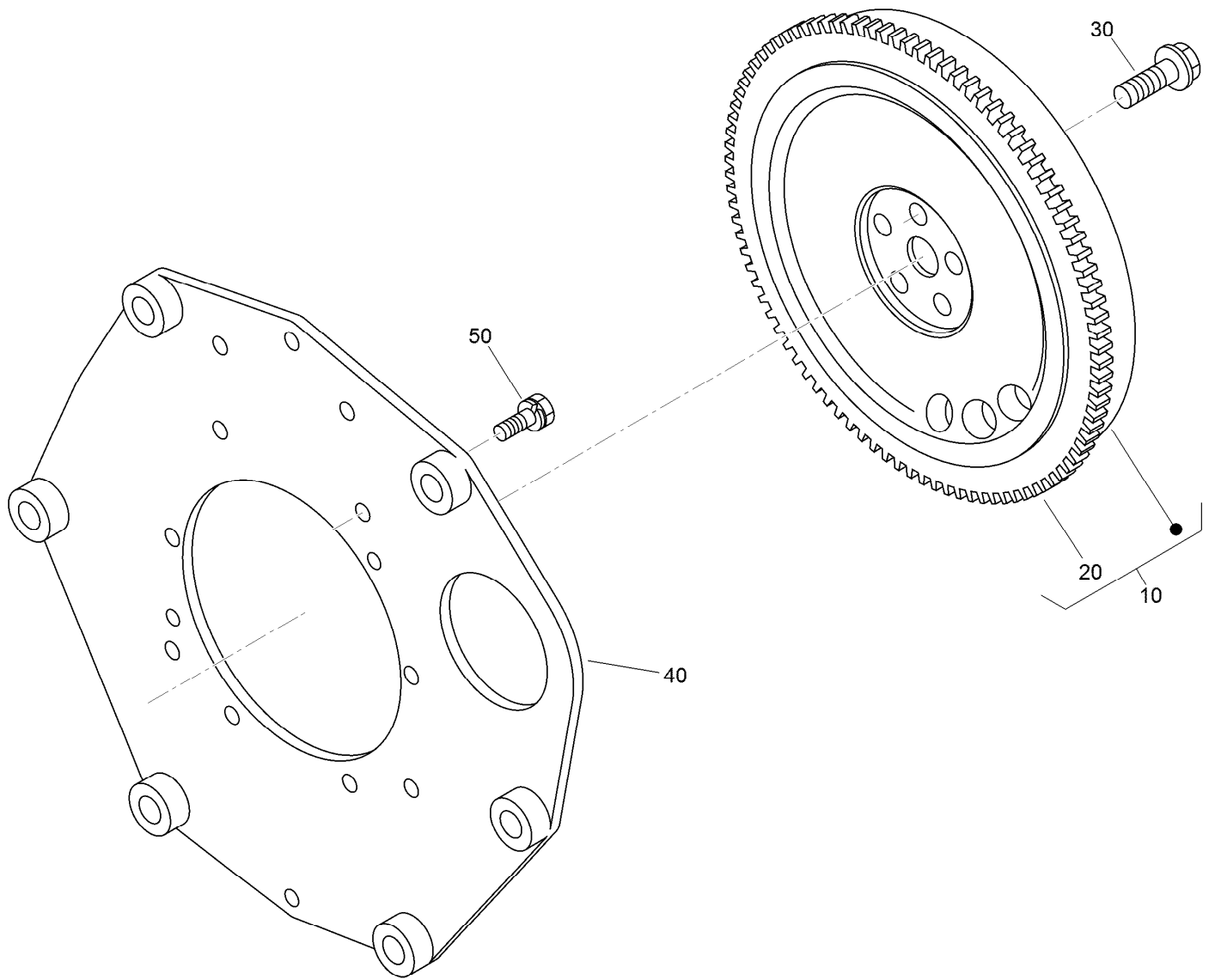
Camshaft and Idle Gear Shaft Assembly

| Ref. | Part Number | Qty. | Description |
|------|-------------|------|-------------------|
| 10 | 110-3727 | 6 | Tappet |
| 20 | 100-1989 | 6 | Rod-Push |
| 30 | 117-0305 | 1 | Camshaft ASM |
| 50 | 110-3729 | 1 | Ball |
| 60 | 130-1534 | 1 | Gear-Cam |
| 70 | 98-9378 | 1 | Key-Feather |
| 80 | 100-1887 | 1 | Stopper-Camshaft |
| 90 | 98-9350 | 2 | Bolt |
| 100 | 121-2421 | 1 | Idle Gear ASM |
| 110 | 121-2422 | 1 | Bushing |
| 120 | 100-1970 | 1 | Collar-Gear, Idle |
| 130 | 100-1969 | 1 | Ring-Snap |
| 140 | 100-1967 | 1 | Shaft-Gear, Idle |
| 150 | 100-1774 | 3 | Bolt-Flange |
| 160 | 100-2240 | 1 | Idle Gear ASM |



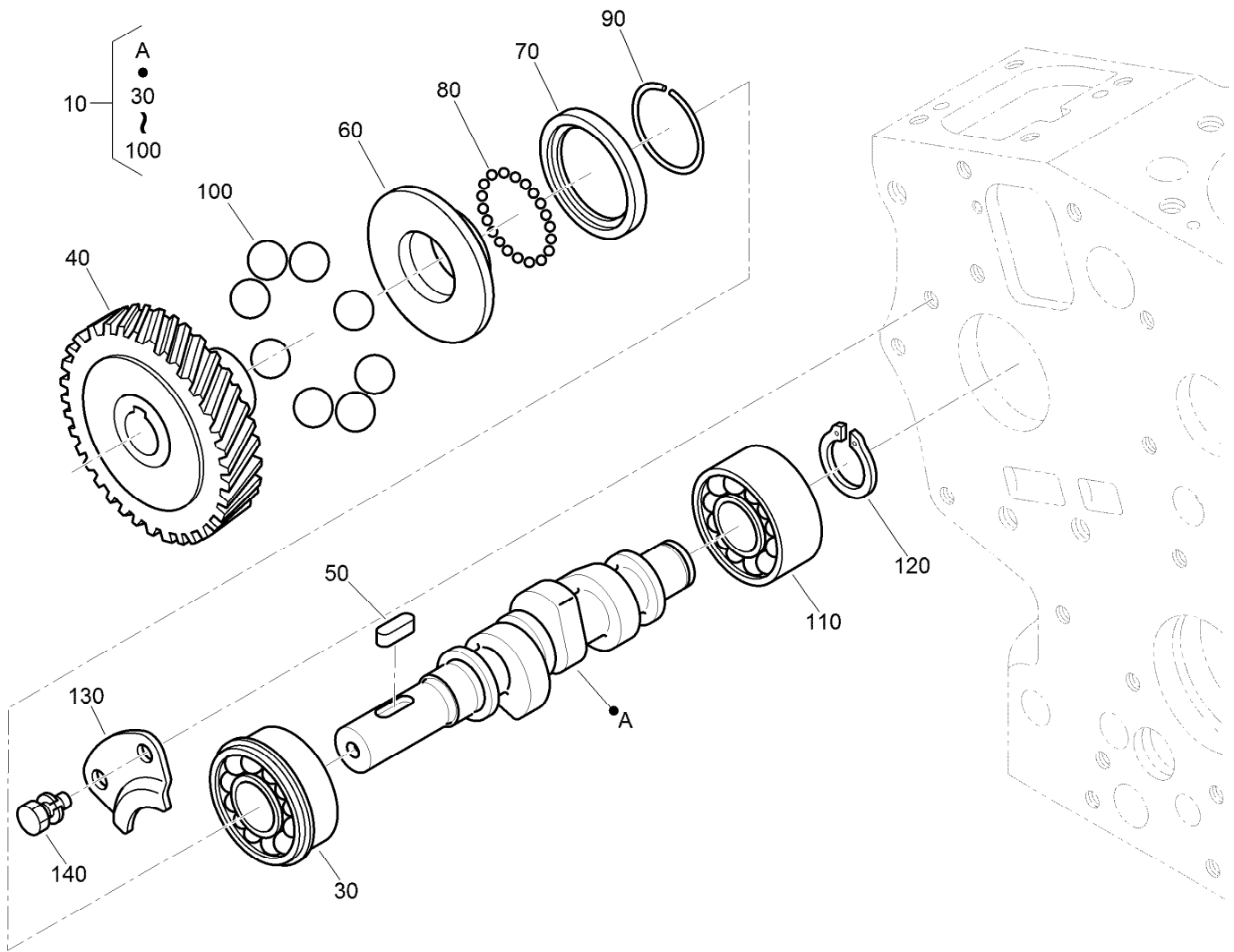
Piston and Crankshaft Assembly

| <i>Ref.</i> | <i>Part Number</i> | <i>Qty.</i> | <i>Description</i> | <i>Ref.</i> | <i>Part Number</i> | <i>Qty.</i> | <i>Description</i> |
|-------------|--------------------|-------------|-------------------------|-------------|--------------------|-------------|---------------------------|
| 10 | 130-1537 | 3 | Piston | 80 | 121-2420 | 3 | Metal-Crankpin (-.40MM) |
| 10 | 130-1540 | 3 | Piston | 90 | 117-0308 | 1 | Crankshaft |
| 20 | 130-1535 | 3 | Piston Ring ASM | 100 | 100-1791 | 3 | Ball |
| 20 | 130-1536 | 3 | Piston Ring ASM | 120 | 100-1891 | 1 | Gear-Crankshaft |
| 30 | 110-3734 | 3 | Pin-Piston | 130 | 100-1752 | 1 | Key-Feather |
| 40 | 100-1835 | 6 | Circlip-Internal | 140 | 110-3738 | 1 | Metal-Crankshaft (STD) |
| 50 | 125-9070 | 3 | Connecting Rod ASM | 140 | 121-2424 | 1 | Metal-Crankshaft (-.20MM) |
| 60 | 110-3736 | 3 | Bushing-Pin, Piston | 140 | 121-2425 | 1 | Metal-Crankshaft (-.40MM) |
| 70 | 100-1999 | 6 | Bolt-Rod, Connecting | 150 | 100-1890 | 1 | Collar-Crankshaft |
| 80 | 100-2000 | 6 | Metal-Crankpin (STD) | 160 | 100-1974 | 1 | Slinger-Oil |
| 80 | 121-3849 | 3 | Metal-Crankpin (-.20MM) | 170 | 100-2209 | 1 | O-Ring |



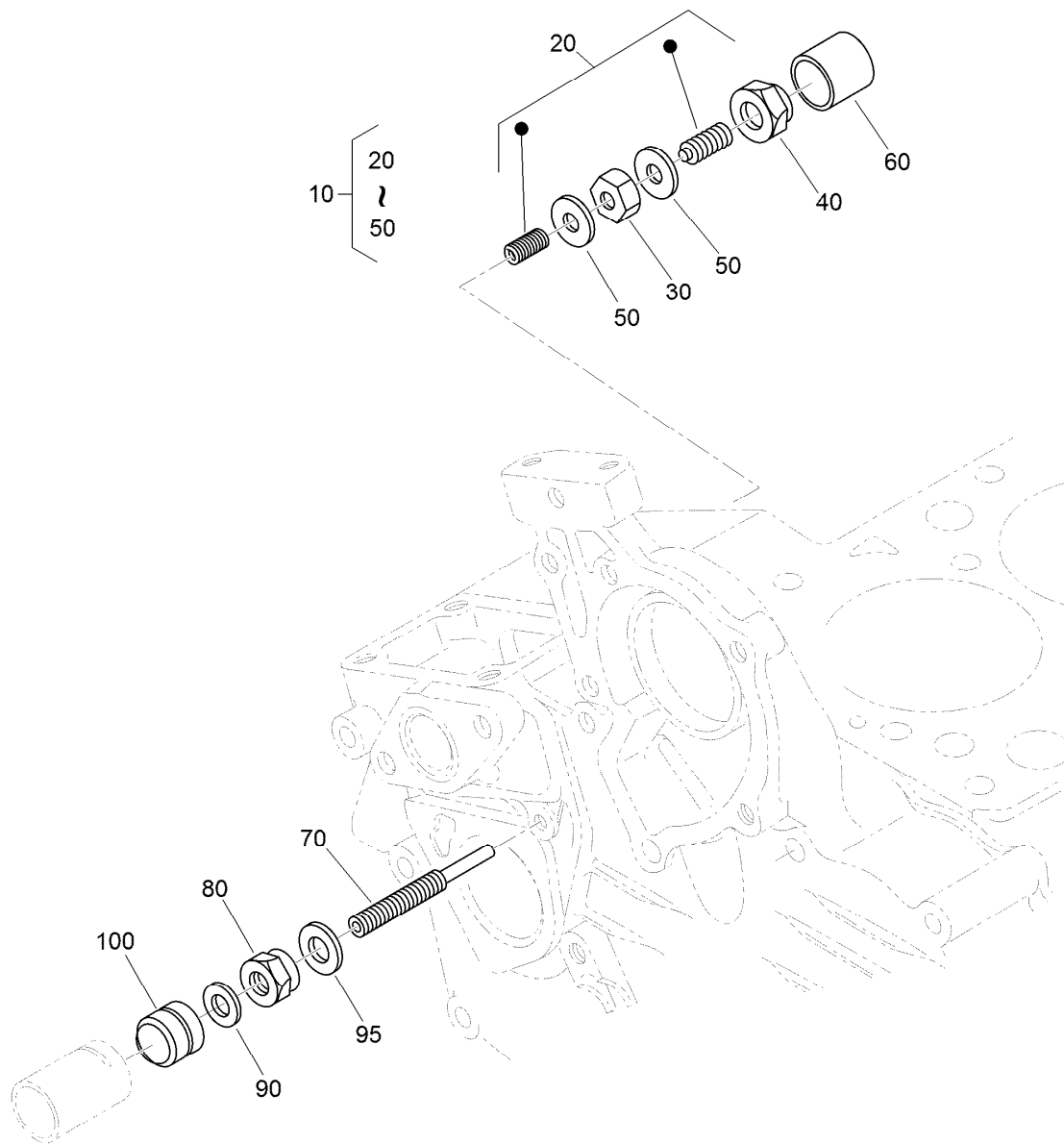
Flywheel Assembly

| <i>Ref.</i> | <i>Part Number</i> | <i>Qty.</i> | <i>Description</i> |
|-------------|--------------------|-------------|--------------------|
| 10 | 125-9054 | 1 | Flywheel ASM |
| 20 | 105-3722 | 1 | Gear-Ring |
| 30 | 125-9051 | 5 | Bolt-Flywheel |
| 40 | 125-9053 | 1 | Plate-Rear End |
| 50 | 110-3754 | 10 | Bolt |



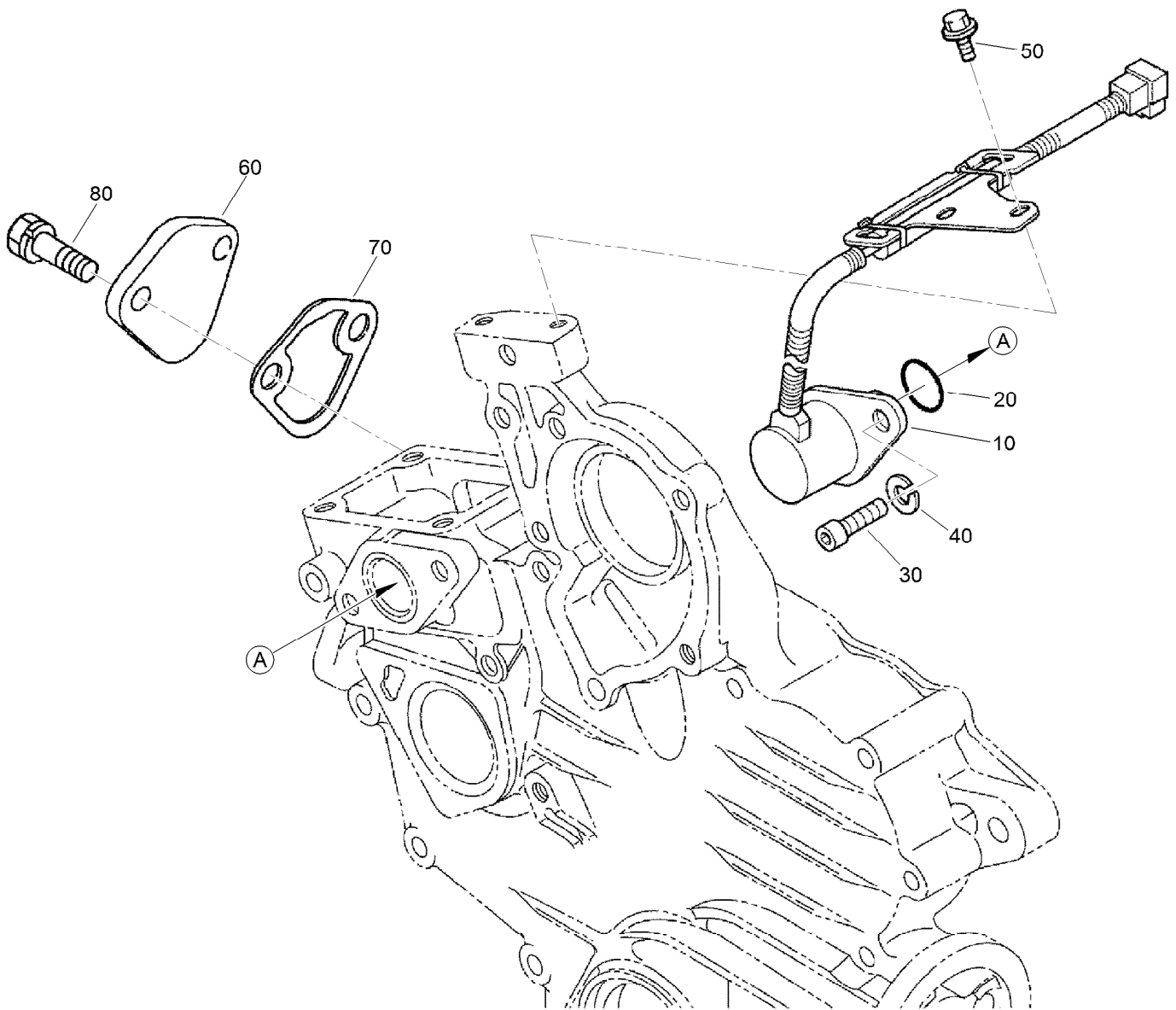
Fuel Camshaft Assembly

| Ref. | Part Number | Qty. | Description |
|------|-------------|------|------------------------|
| 10 | 125-9075 | 1 | Fuel Camshaft ASM |
| 30 | 100-1795 | 1 | Bearing-Ball |
| 40 | 100-2006 | 1 | Gear-Pump, Injection |
| 50 | 100-1752 | 1 | Key-Feather |
| 60 | 112-8336 | 1 | Sleeve-Governor |
| 70 | 100-1904 | 1 | Case-Ball, Governor |
| 80 | 100-1790 | 32 | Ball |
| 90 | 100-1843 | 1 | Circ-Clip |
| 100 | 100-1793 | 8 | Ball |
| 110 | 110-3757 | 1 | Bearing-Ball |
| 120 | 100-1784 | 1 | Circ-Clip, External |
| 130 | 100-1888 | 1 | Stopper-Fuel, Camshaft |
| 140 | 98-9350 | 2 | Bolt |



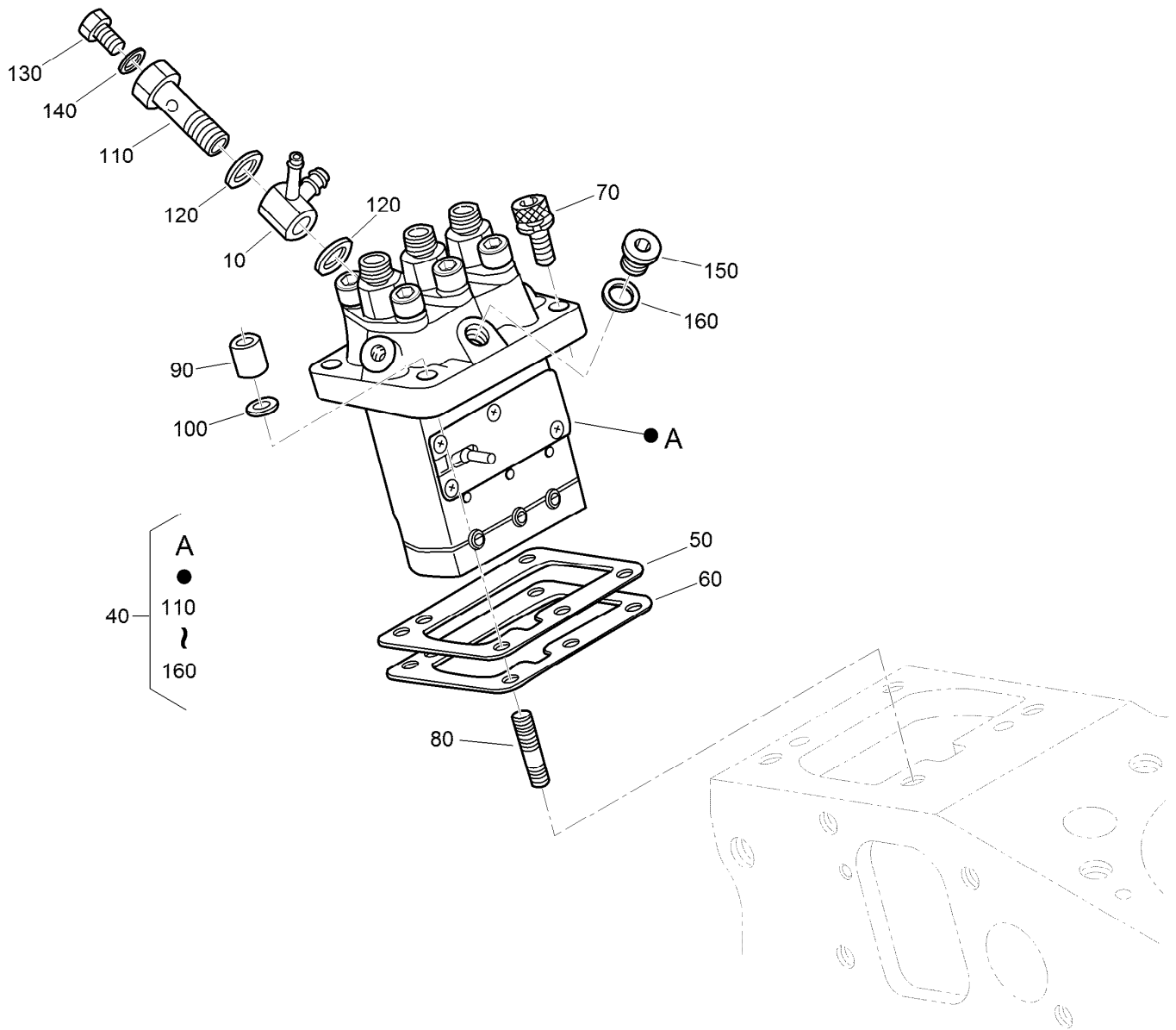
Idle Apparatus Assembly

| <i>Ref.</i> | <i>Part Number</i> | <i>Qty.</i> | <i>Description</i> |
|-------------|--------------------|-------------|--------------------|
| 10 | 100-1898 | 1 | Idle Apparatus ASM |
| 20 | 100-1899 | 1 | Adjusting Bolt ASM |
| 30 | 100-1846 | 1 | Nut |
| 40 | 100-1901 | 1 | Nut-Cap |
| 50 | 98-7428 | 2 | Gasket |
| 60 | 100-1902 | 1 | Cap |
| 70 | 110-3758 | 1 | Bolt-Adjusting |
| 80 | 100-2175 | 1 | Nut-Lock |
| 90 | 98-7654 | 1 | Gasket |
| 95 | 107-9081 | 1 | Gasket |
| 100 | 99-8387 | 1 | Nut-Cap |



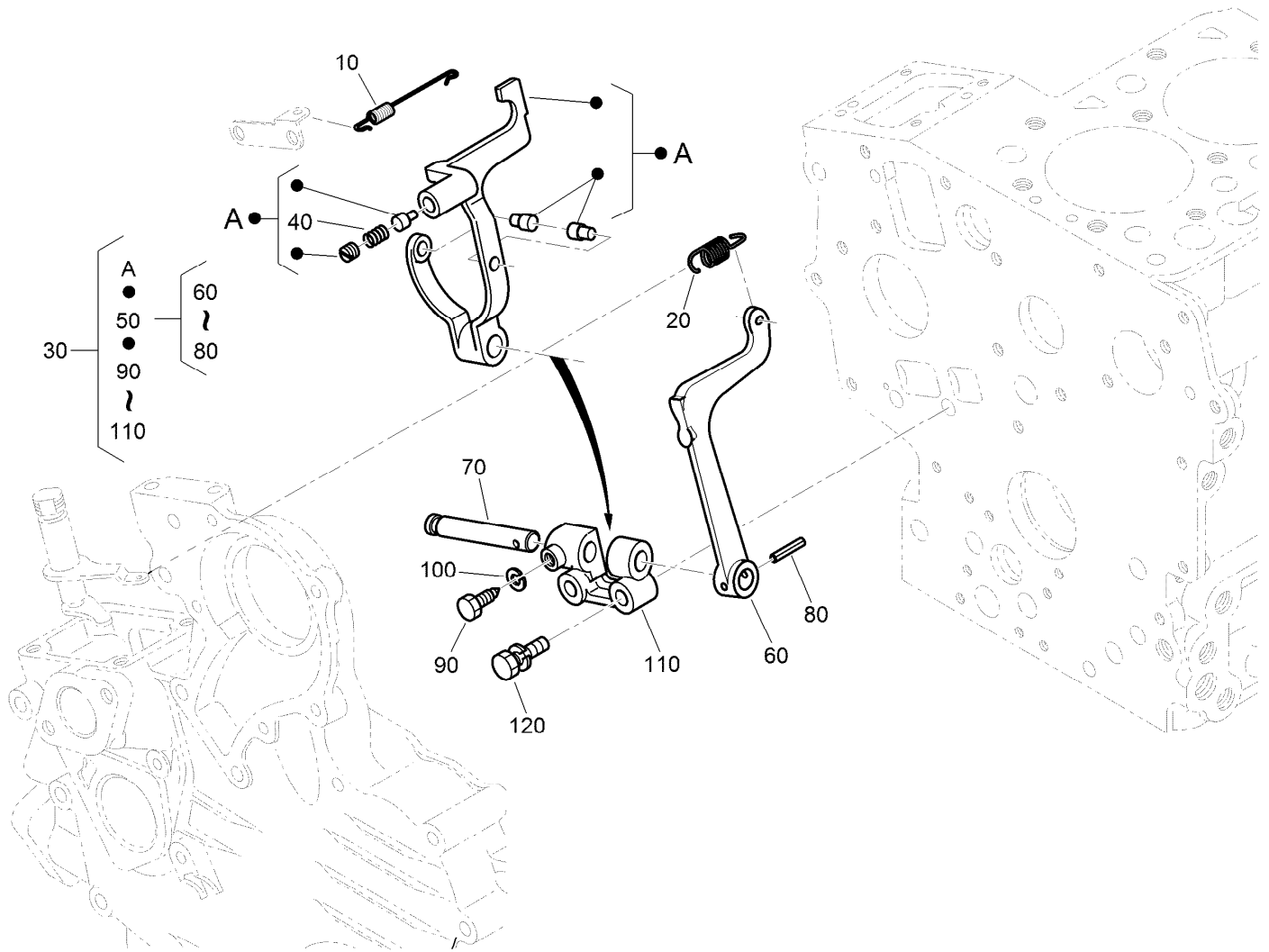
Stop Solenoid and Fuel Pump Cover Assembly

| Ref. | Part Number | Qty. | Description |
|------|-------------|------|-------------------|
| 10 | 117-2719 | 1 | Solenoid Stop ASM |
| 20 | 110-3762 | 1 | O-Ring |
| 30 | 110-3763 | 2 | Bolt-HSH |
| 40 | 98-7699 | 1 | Washer-Spring |
| 50 | 100-1774 | 2 | Bolt-Flange |
| 60 | 99-3514 | 1 | Cover |
| 70 | 98-9636 | 1 | Gasket-Pump, Fuel |
| 80 | 98-7692 | 2 | Bolt |



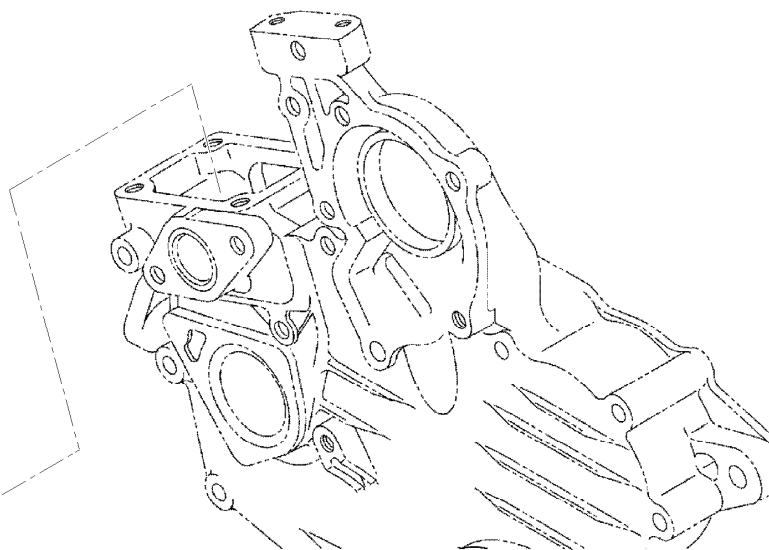
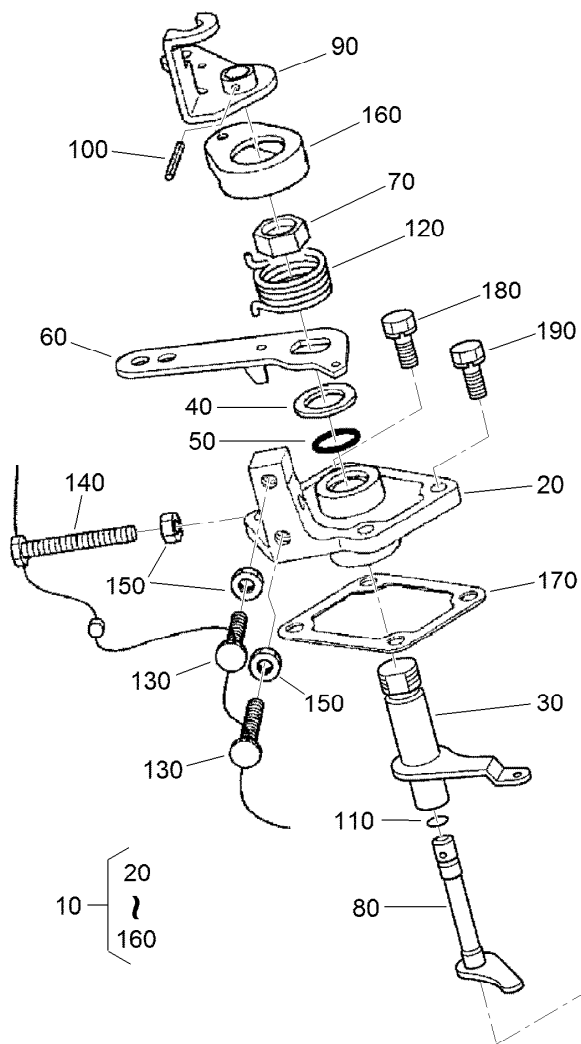
Injection Pump Assembly

| <i>Ref.</i> | <i>Part Number</i> | <i>Qty.</i> | <i>Description</i> | <i>Ref.</i> | <i>Part Number</i> | <i>Qty.</i> | <i>Description</i> |
|-------------|--------------------|-------------|--------------------------|-------------|--------------------|-------------|--------------------|
| 10 | 110-3764 | 1 | Joint | 90 | 98-9440 | 2 | Nut-Cap |
| 40 | 110-3765 | 1 | Injection Pump ASM | 100 | 98-7699 | 2 | Washer-Spring |
| 50 | 115-3045 | 1 | Shim-Injection (0.175MM) | 110 | 100-1896 | 1 | Screw-Hollow |
| 50 | 98-9456 | 1 | Shim-Injection (0.20MM) | 120 | 98-9445 | 2 | Gasket |
| 50 | 98-9457 | 1 | Shim-Injection (0.25MM) | 130 | 98-9430 | 1 | Screw |
| 60 | 98-9458 | 1 | Shim-Injection (0.30MM) | 140 | 98-9446 | 1 | Gasket |
| 60 | 115-3046 | 1 | Shim-Injection (0.35MM) | 150 | 98-9466 | 1 | Plug |
| 70 | 117-7564 | 2 | Bolt-Hex Soc HD | 160 | 98-9451 | 1 | Gasket |
| 80 | 98-9438 | 2 | Stud | | | | |



Governor Assembly

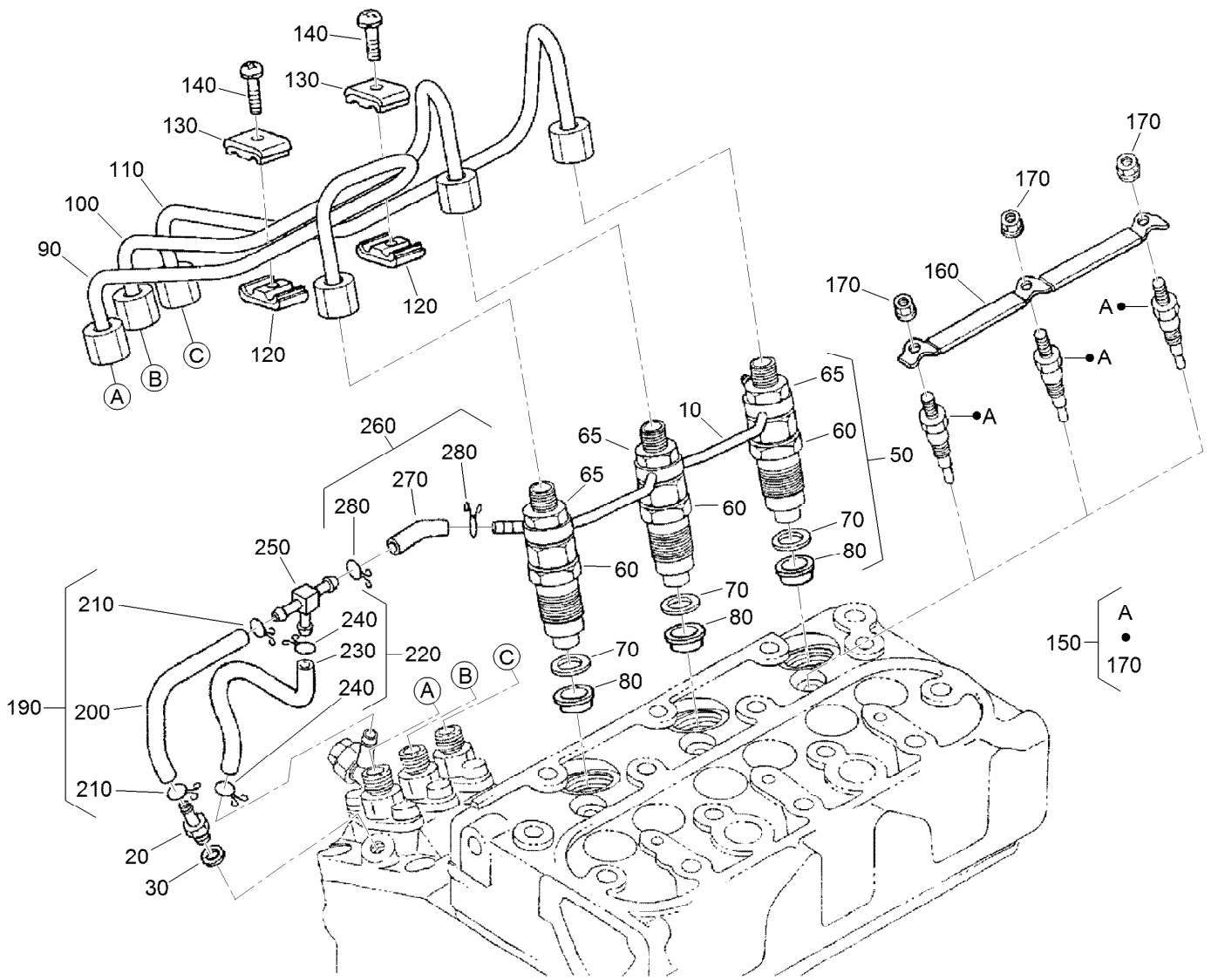
| Ref. | Part Number | Qty. | Description |
|------|-------------|------|---------------------|
| 10 | 110-3766 | 1 | Spring-Start |
| 20 | 110-3767 | 1 | Spring-Governor |
| 30 | 130-1368 | 1 | Fork Lever ASM |
| 40 | 117-0313 | 1 | Spring |
| 50 | 100-1905 | 1 | Fork Lever ASM |
| 60 | 100-1907 | 1 | Lever-Fork |
| 70 | 100-1908 | 1 | Shaft-Lever, Fork |
| 80 | 100-1751 | 1 | Pin-Spring |
| 90 | 100-1845 | 1 | Bolt |
| 100 | 127-0408 | 1 | Washer-Lock, Spring |
| 110 | 100-1909 | 1 | Holder-Lever, Fork |
| 120 | 100-1763 | 2 | Bolt |



Speed Control Plate Assembly

| Ref. | Part Number | Qty. | Description |
|------|-------------|------|-------------------------|
| 10 | 110-3769 | 1 | Speed Control Plate ASM |
| 20 | 110-3770 | 1 | Plate-Control, Speed |
| 30 | 110-3771 | 1 | Lever-Governor |
| 40 | 110-3772 | 1 | Collar |
| 50 | 100-2208 | 1 | O-Ring |
| 60 | 110-3773 | 1 | Lever-Control, Speed |
| 70 | 110-3774 | 1 | Nut-Control, Speed |
| 80 | 110-3775 | 1 | Shaft-Lever |
| 90 | 110-3776 | 1 | Lever-Stop, Engine |
| 100 | 110-3777 | 1 | Pin-Spring |

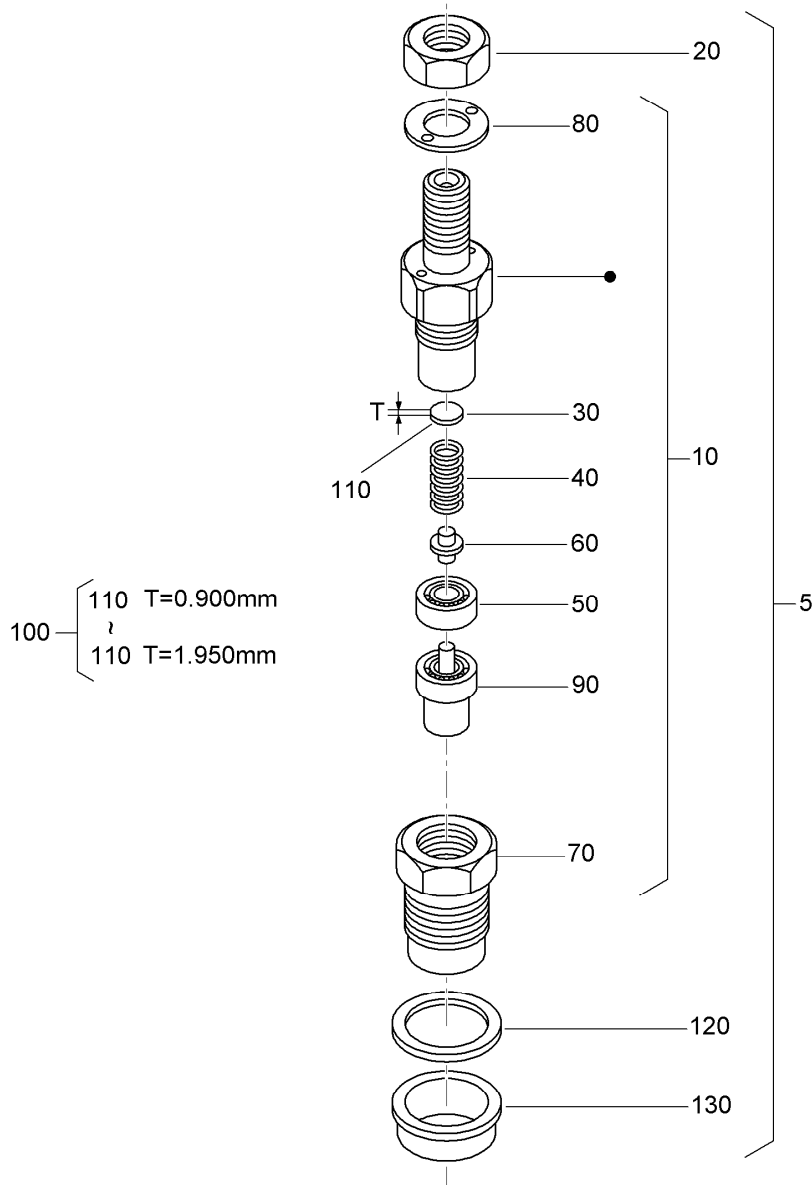
| Ref. | Part Number | Qty. | Description |
|------|-------------|------|-----------------------|
| 110 | 100-2207 | 1 | O-Ring |
| 120 | 110-3778 | 1 | Spring-Return |
| 130 | 120-3133 | 2 | Screw-Stopper |
| 140 | 120-3134 | 1 | Bolt |
| 150 | 98-7572 | 3 | Nut |
| 160 | 110-3779 | 1 | Cap |
| 170 | 100-1962 | 1 | Gasket-Plate, Control |
| 180 | 127-0403 | 2 | Bolt-Flange |
| 190 | 112-2507 | 2 | Bolt |



Nozzle Holder and Glow Plug Assembly

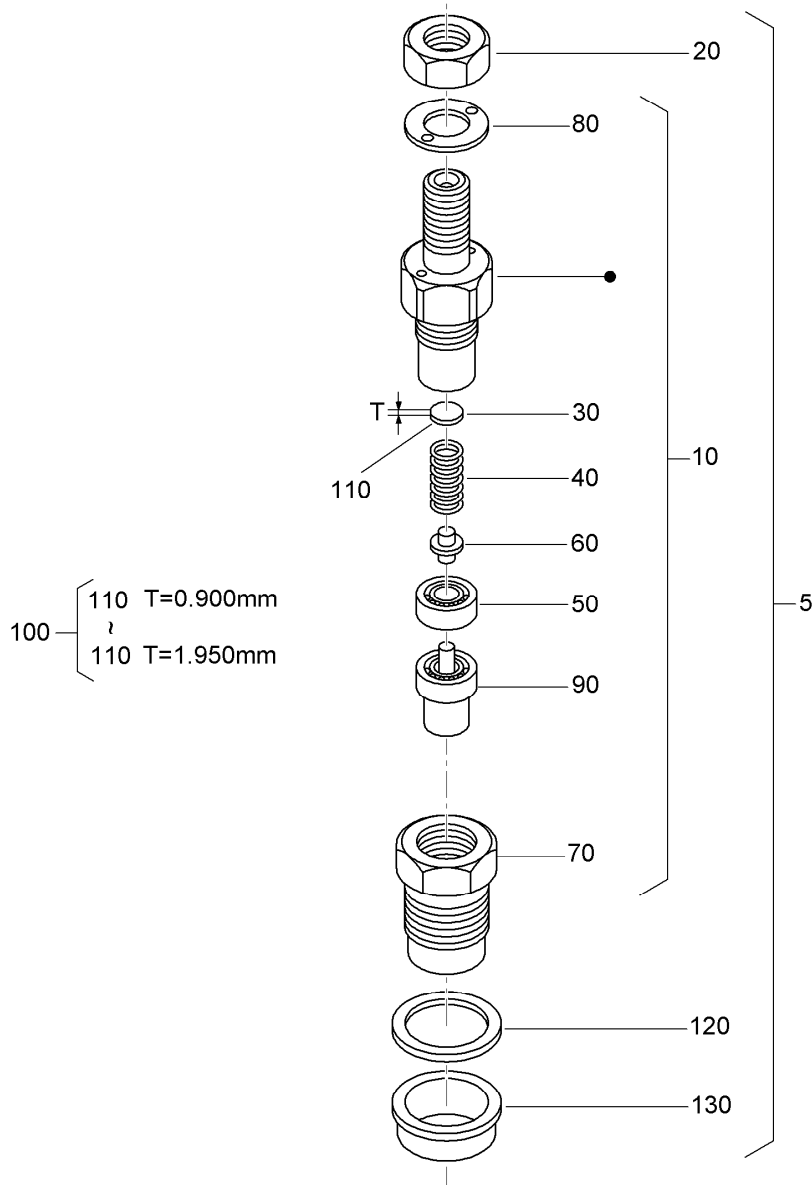
| Ref. | Part Number | Qty. | Description |
|------|-------------|------|--------------------|
| 10 | 110-3780 | 1 | Over Flow Pipe ASM |
| 20 | 98-9431 | 1 | Screw-Bleeder, Air |
| 30 | 98-7654 | 1 | Gasket |
| 50 | 130-1305 | 3 | Nozzle Holder Kit |
| 60 | 130-1303 | 3 | Nozzle Holder ASM |
| 65 | 121-2411 | 3 | Nut |
| 70 | 98-7676 | 3 | Gasket |
| 80 | 98-7677 | 3 | Seal-Heat |
| 90 | 130-1522 | 1 | Pipe-Injection |
| 100 | 130-1523 | 1 | Pipe-Injection |
| 110 | 130-1541 | 1 | Pipe-Injection |
| 120 | 98-7682 | 2 | Clamp-Pipe |
| 130 | 98-7683 | 2 | Clamp-Pipe |
| 140 | 98-7684 | 2 | Screw (W/Washer) |

| Ref. | Part Number | Qty. | Description |
|------|-------------|------|-----------------|
| 150 | 130-1411 | 3 | Plug-Glow |
| 160 | 110-3784 | 1 | Cord-Plug, Glow |
| 170 | 99-8377 | 3 | Nut-Flange |
| 190 | 110-3785 | 1 | Fuel Tube ASM |
| 200 | 110-3786 | 1 | Tube-Fuel |
| 210 | 98-7671 | 2 | Clip-Pipe |
| 220 | 110-3787 | 1 | Fuel Tube ASM |
| 230 | 110-3788 | 1 | Tube-Fuel |
| 240 | 98-7671 | 2 | Clip-Pipe |
| 250 | 112-8338 | 1 | Pipe-Joint, T |
| 260 | 110-3790 | 1 | Fuel Tube ASM |
| 270 | 110-3791 | 1 | Tube-Fuel |
| 280 | 98-7671 | 2 | Clip-Pipe |



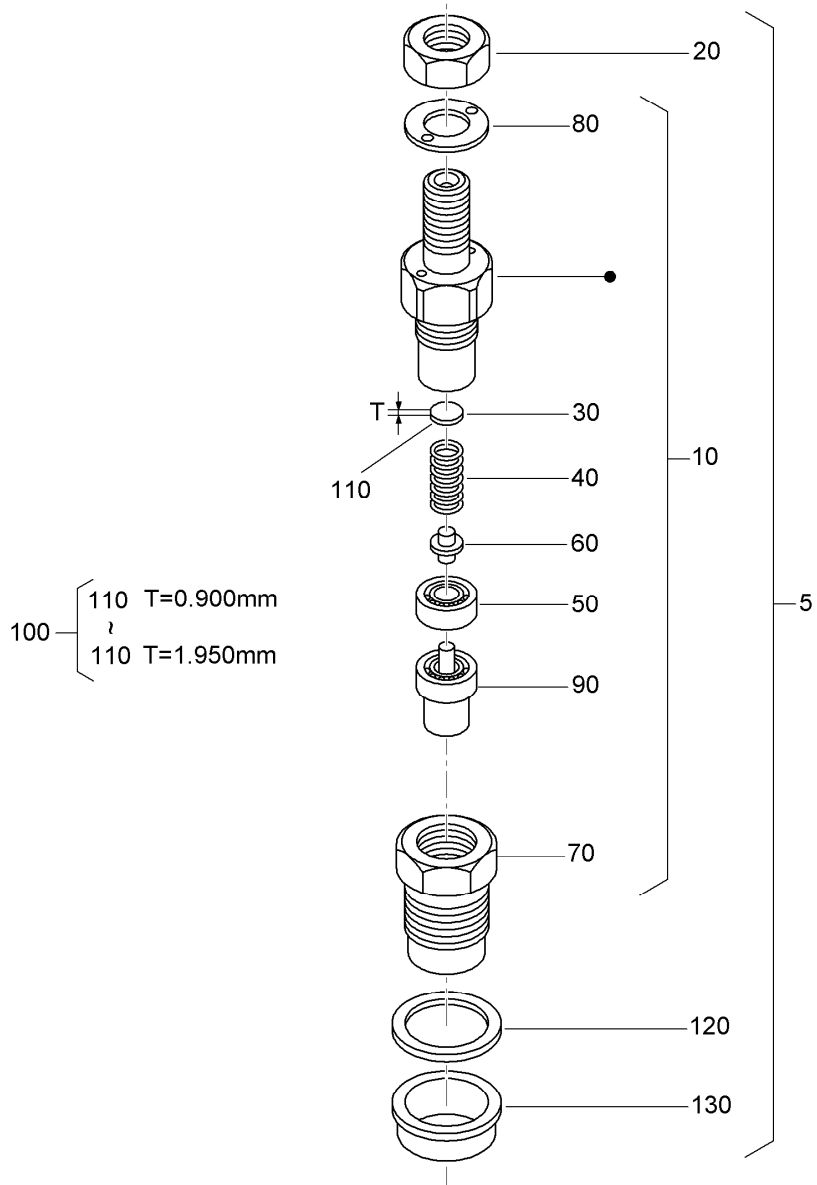
Nozzle Holder Assembly

| Ref. | Part Number | Qty. | Description | Ref. | Part Number | Qty. | Description |
|------|-------------|------|----------------------------|------|-------------|------|----------------------------|
| 5 | 130-1305 | 3 | Nozzle Holder Kit | 110 | 98-7845 | 3 | Washer-Adjusting (1.025Mm) |
| 10 | 130-1303 | 3 | Nozzle Holder ASM | 110 | 98-7846 | 3 | Washer-Adjusting (1.050Mm) |
| 20 | 121-2411 | 3 | Nut | 110 | 98-7847 | 3 | Washer-Adjusting (1.075MM) |
| 30 | 99-8302 | 3 | Washer-Adjusting | 110 | 98-7848 | 3 | Washer-Adjusting (1.100MM) |
| 40 | 99-8303 | 3 | Spring-Nozzle | 110 | 98-7849 | 3 | Washer-Adjusting (1.125MM) |
| 50 | 99-8304 | 3 | Spacer-Distance | 110 | 98-7850 | 3 | Washer-Adjusting (1.150MM) |
| 60 | 99-8305 | 3 | Rod-Push | 110 | 98-7851 | 3 | Washer-Adjusting (1.175MM) |
| 70 | 130-1304 | 3 | Nut-Nozzle | 110 | 98-7852 | 3 | Washer-Adjusting (1.200MM) |
| 80 | 99-8307 | 3 | Washer-Plain | 110 | 98-7853 | 3 | Washer-Adjusting (1.225MM) |
| 90 | 130-1497 | 3 | Nozzle-Piece | 110 | 98-7854 | 3 | Washer-Adjusting (1.250MM) |
| 100 | 98-9448 | 3 | Adjusting Washer ASM | | | | |
| 110 | 98-7642 | 3 | Washer-Adjusting (0.900Mm) | | | | |
| 110 | 98-7841 | 3 | Washer-Adjusting (0.925Mm) | | | | |
| 110 | 98-7842 | 3 | Washer-Adjusting (0.950Mm) | | | | |
| 110 | 98-7843 | 3 | Washer-Adjusting (0.975Mm) | | | | |
| 110 | 98-7844 | 3 | Washer-Adjusting (1.000Mm) | | | | |



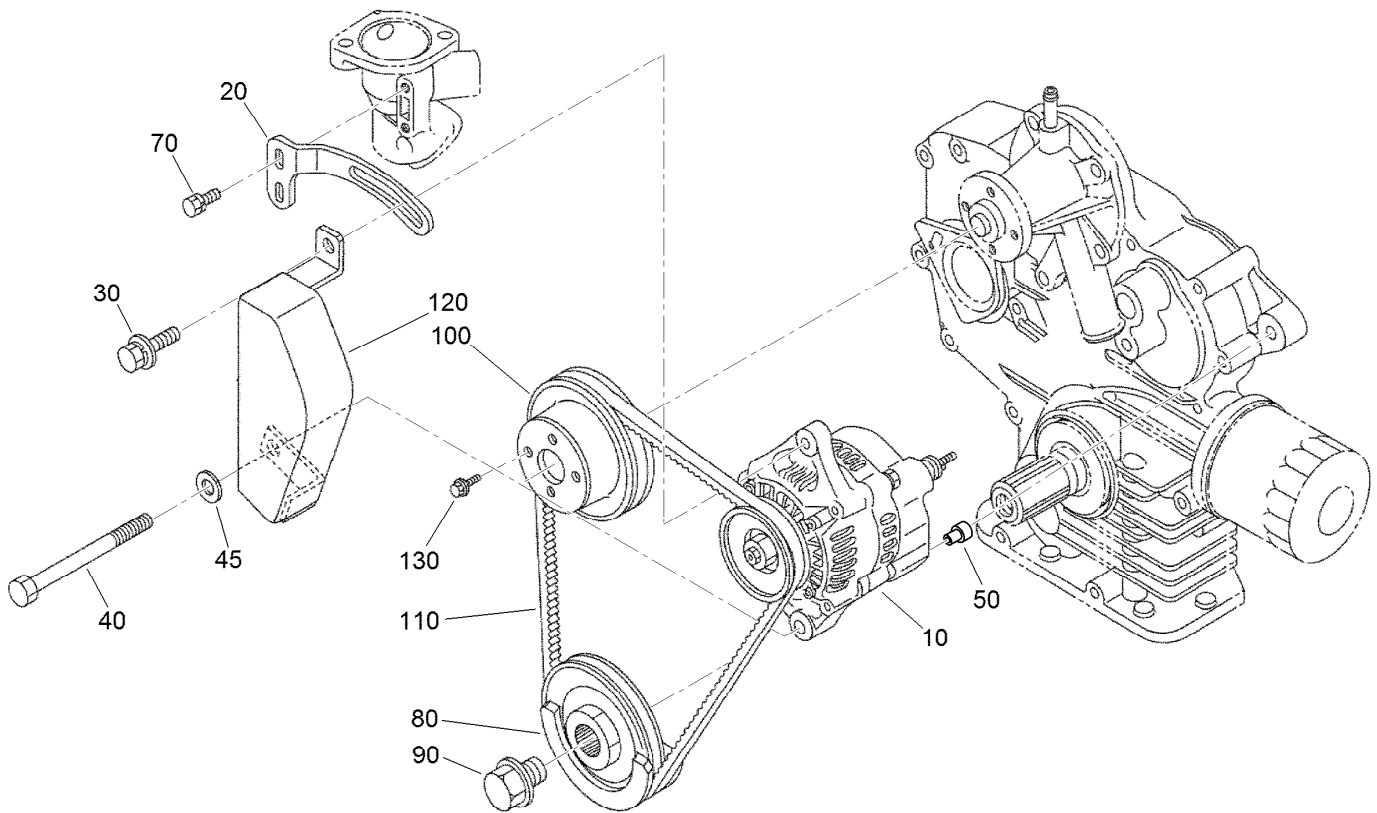
Nozzle Holder Assembly (continued)

| <i>Ref.</i> | <i>Part Number</i> | <i>Qty.</i> | <i>Description</i> | <i>Ref.</i> | <i>Part Number</i> | <i>Qty.</i> | <i>Description</i> |
|-------------|--------------------|-------------|-------------------------------|-------------|--------------------|-------------|-------------------------------|
| 110 | 98-7855 | 3 | Washer-Adjusting (1.275MM) | 110 | 98-7865 | 3 | Washer-Adjusting (1.525MM) |
| 110 | 98-7856 | 3 | Washer-Adjusting (1.300MM) | 110 | 98-7866 | 3 | Washer-Adjusting (1.550MM) |
| 110 | 98-7857 | 3 | Washer-Adjusting (1.325MM) | 110 | 98-7867 | 3 | Washer-Adjusting (1.575MM) |
| 110 | 98-7858 | 3 | Washer-Adjusting (1.350MM) | 110 | 98-7868 | 3 | Washer-Adjusting (1.600MM) |
| 110 | 98-7859 | 3 | Washer-Adjusting (1.375MM) | 110 | 98-7869 | 3 | Washer-Adjusting (1.625MM) |
| 110 | 98-7860 | 3 | Washer-Adjusting (1.400MM) | 110 | 98-7870 | 3 | Washer-Adjusting (1.650MM) |
| 110 | 98-7861 | 3 | Washer-Adjusting (1.425MM) | 110 | 98-7871 | 3 | Washer-Adjusting (1.675MM) |
| 110 | 98-7862 | 3 | Washer-Adjusting (1.450MM) | 110 | 98-7872 | 3 | Washer-Adjusting (1.700MM) |
| 110 | 98-7863 | 3 | Washer-Adjusting (1.475MM) | 110 | 98-7873 | 3 | Washer-Adjusting (1.725MM) |
| 110 | 98-7864 | 3 | Washer-Adjusting (1.500MM) | 110 | 98-7874 | 3 | Washer-Adjusting (1.750MM) |



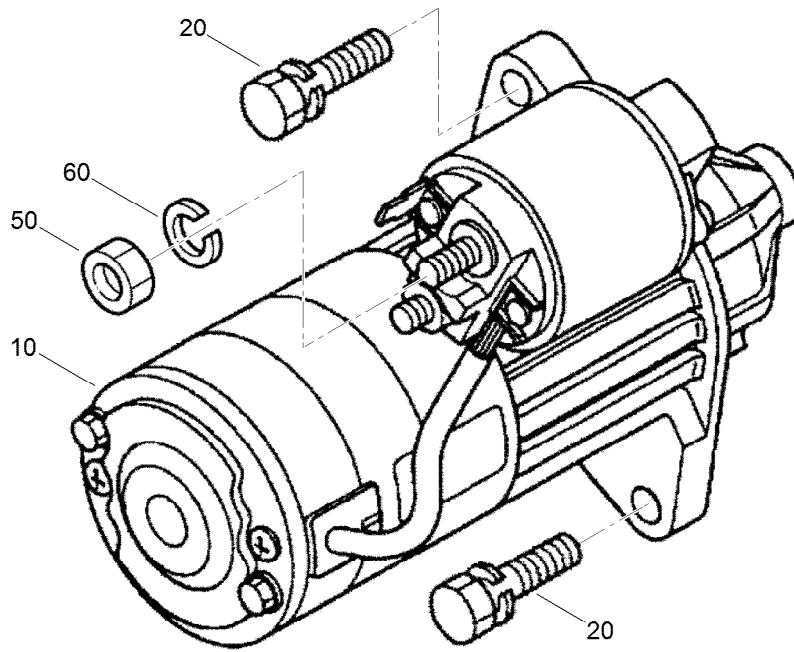
Nozzle Holder Assembly (continued)

| <i>Ref.</i> | <i>Part Number</i> | <i>Qty.</i> | <i>Description</i> | <i>Ref.</i> | <i>Part Number</i> | <i>Qty.</i> | <i>Description</i> |
|-------------|--------------------|-------------|-------------------------------|-------------|--------------------|-------------|-------------------------------|
| 110 | 98-7875 | 3 | Washer-Adjusting (1.775MM) | 110 | 98-7880 | 3 | Washer-Adjusting (1.900MM) |
| 110 | 98-7876 | 3 | Washer-Adjusting (1.800MM) | 110 | 98-7881 | 3 | Washer-Adjusting (1.925MM) |
| 110 | 98-7877 | 3 | Washer-Adjusting (1.825MM) | 110 | 98-7882 | 3 | Washer-Adjusting (1.950MM) |
| 110 | 98-7878 | 3 | Washer-Adjusting (1.850MM) | 120 | 98-7676 | 3 | Gasket |
| 110 | 98-7879 | 3 | Washer-Adjusting (1.875MM) | 130 | 98-7677 | 3 | Seal-Heat |



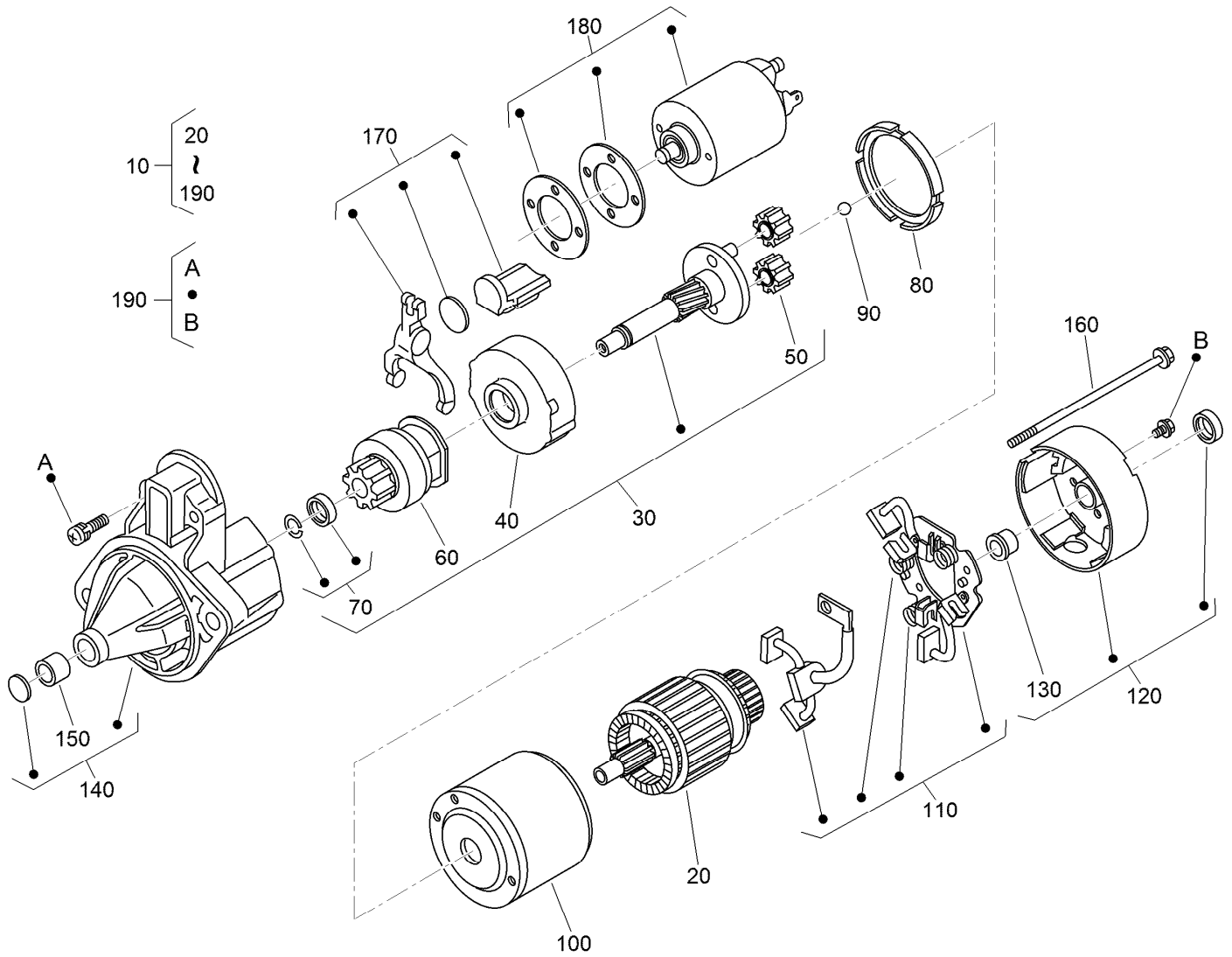
Alternator and Pulley Assembly

| <i>Ref.</i> | <i>Part Number</i> | <i>Qty.</i> | <i>Description</i> |
|-------------|--------------------|-------------|-----------------------|
| 10 | 117-5541 | 1 | 60 Amp Alternator ASM |
| 20 | 117-0314 | 1 | Stay-Alternator |
| 30 | 121-3800 | 1 | Bolt-Sems |
| 40 | 110-3793 | 1 | Bolt |
| 45 | 120-5832 | 1 | Washer-Plain |
| 50 | 110-3794 | 1 | Collar |
| 70 | 98-7692 | 2 | Bolt |
| 80 | 125-9055 | 1 | Pulley-Drive, Fan |
| 90 | 100-1978 | 1 | Bolt |
| 100 | 100-1921 | 1 | Pulley-Fan |
| 110 | 110-3796 | 1 | Belt-V |
| 120 | 117-0315 | 1 | Cover-Alternator |
| 130 | 99-8363 | 4 | Bolt-Flange |



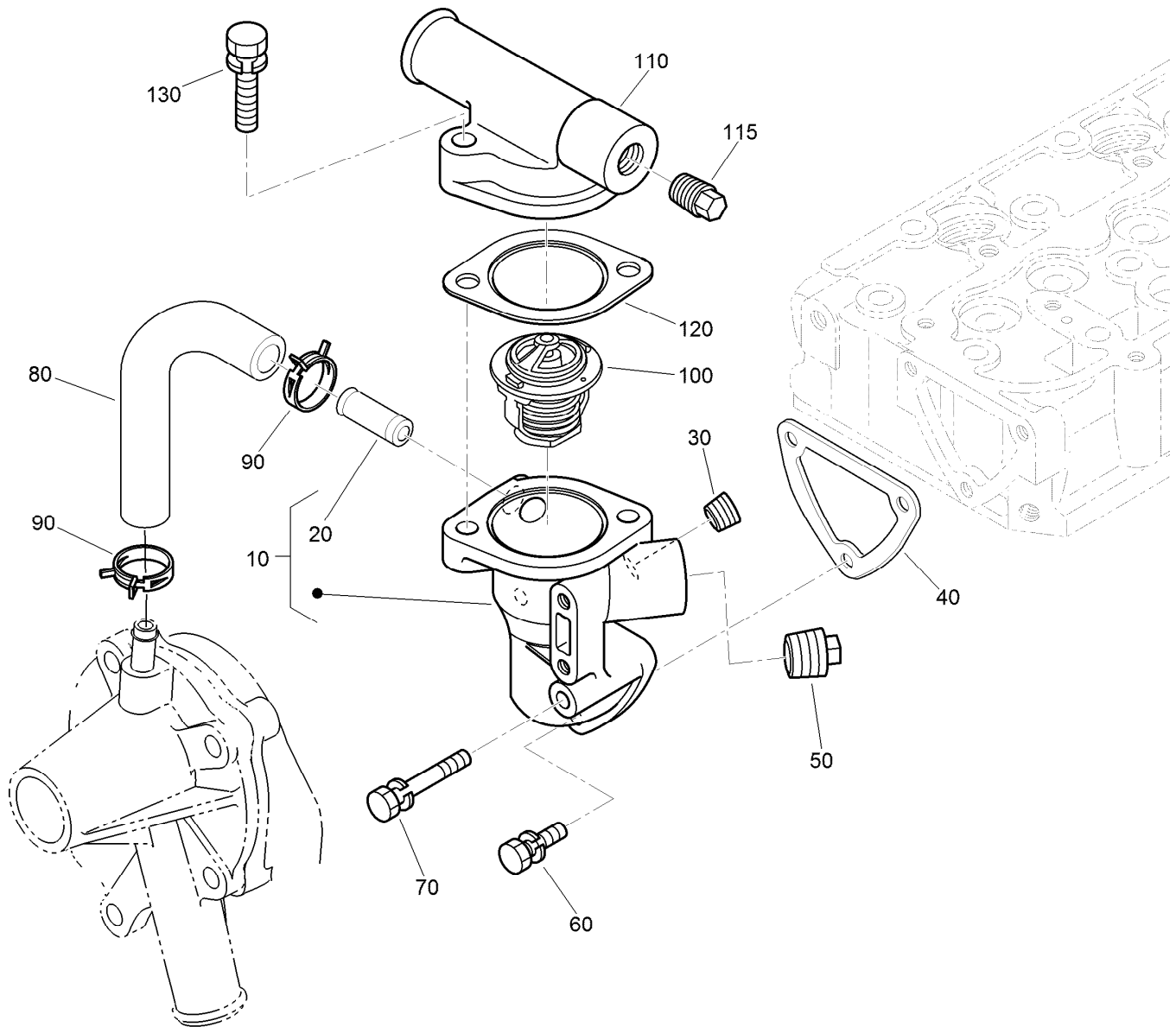
Starter Installation Assembly

| <i>Ref.</i> | <i>Part Number</i> | <i>Qty.</i> | <i>Description</i> |
|-------------|--------------------|-------------|--------------------|
| 10 | 110-3800 | 1 | Starter ASM |
| 20 | 98-7697 | 2 | Bolt |
| 50 | 98-7534 | 1 | Nut |
| 60 | 105-2893 | 1 | Washer-Spring |



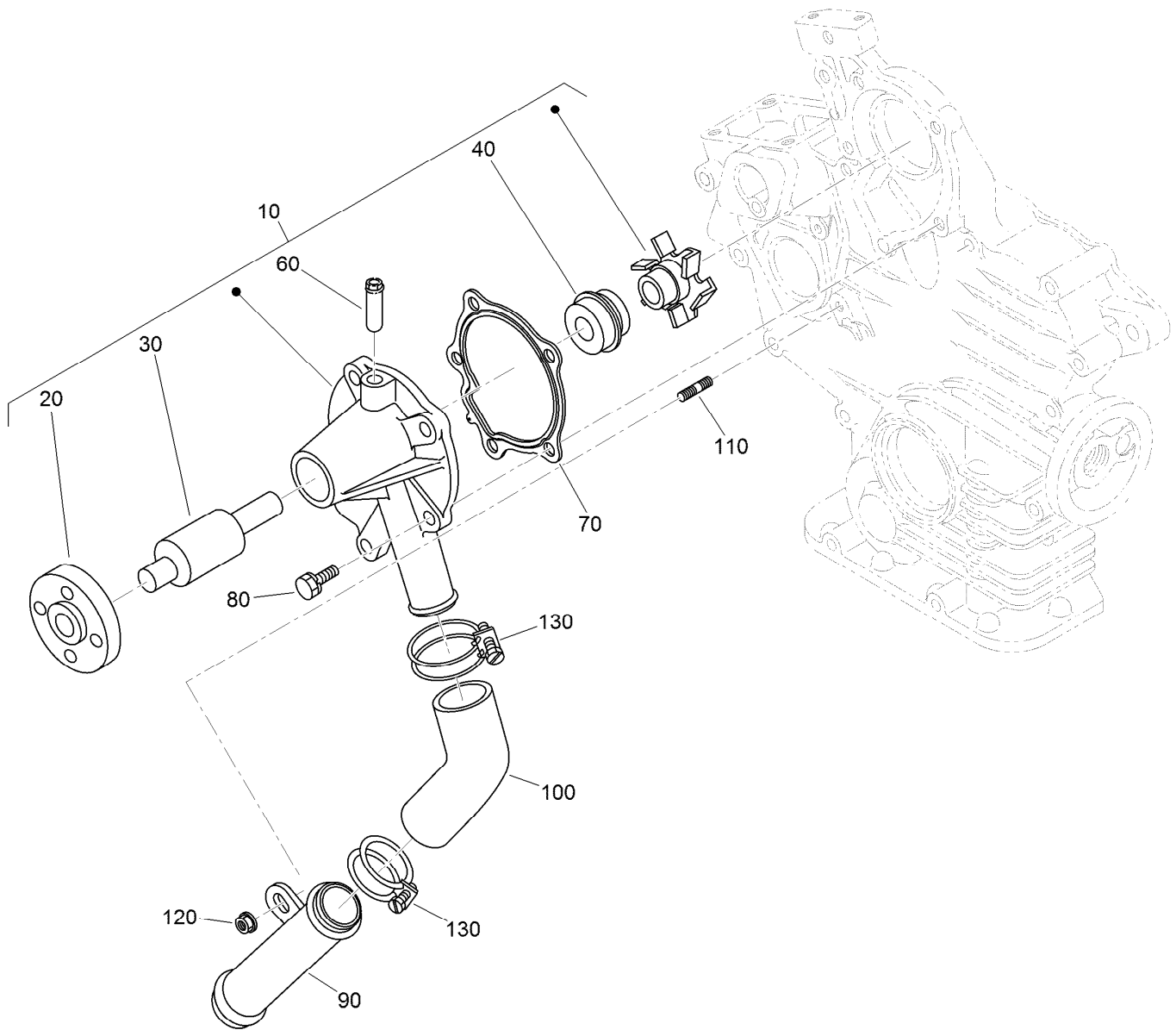
Starter Component Assembly

| <i>Ref.</i> | <i>Part Number</i> | <i>Qty.</i> | <i>Description</i> | <i>Ref.</i> | <i>Part Number</i> | <i>Qty.</i> | <i>Description</i> |
|-------------|--------------------|-------------|----------------------|-------------|--------------------|-------------|--------------------|
| 10 | 110-3800 | 1 | Starter ASM | 110 | 110-3810 | 1 | Brush Holder ASM |
| 20 | 110-3801 | 1 | Armature | 120 | 110-3811 | 1 | Rear Bracket ASM |
| 30 | 110-3802 | 1 | Shaft ASM | 130 | 110-3812 | 1 | Bushing |
| 40 | 120-3142 | 1 | Gear-Internal | 140 | 110-3813 | 1 | Front Bracket ASM |
| 50 | 110-3804 | 3 | Gear-Planetary | 150 | 110-3814 | 1 | Bushing |
| 60 | 110-3805 | 1 | Clutch-Running, Over | 160 | 110-3815 | 2 | Bolt |
| 70 | 110-3806 | 1 | Stopper | 170 | 110-3816 | 1 | Fork Lever ASM |
| 80 | 120-3143 | 1 | Gasket | 180 | 125-9099 | 1 | Switch-Magnetic |
| 90 | 110-3808 | 1 | Ball | 190 | 110-3818 | 2 | Screws (Set Of 4) |
| 100 | 130-1295 | 1 | Yoke | | | | |



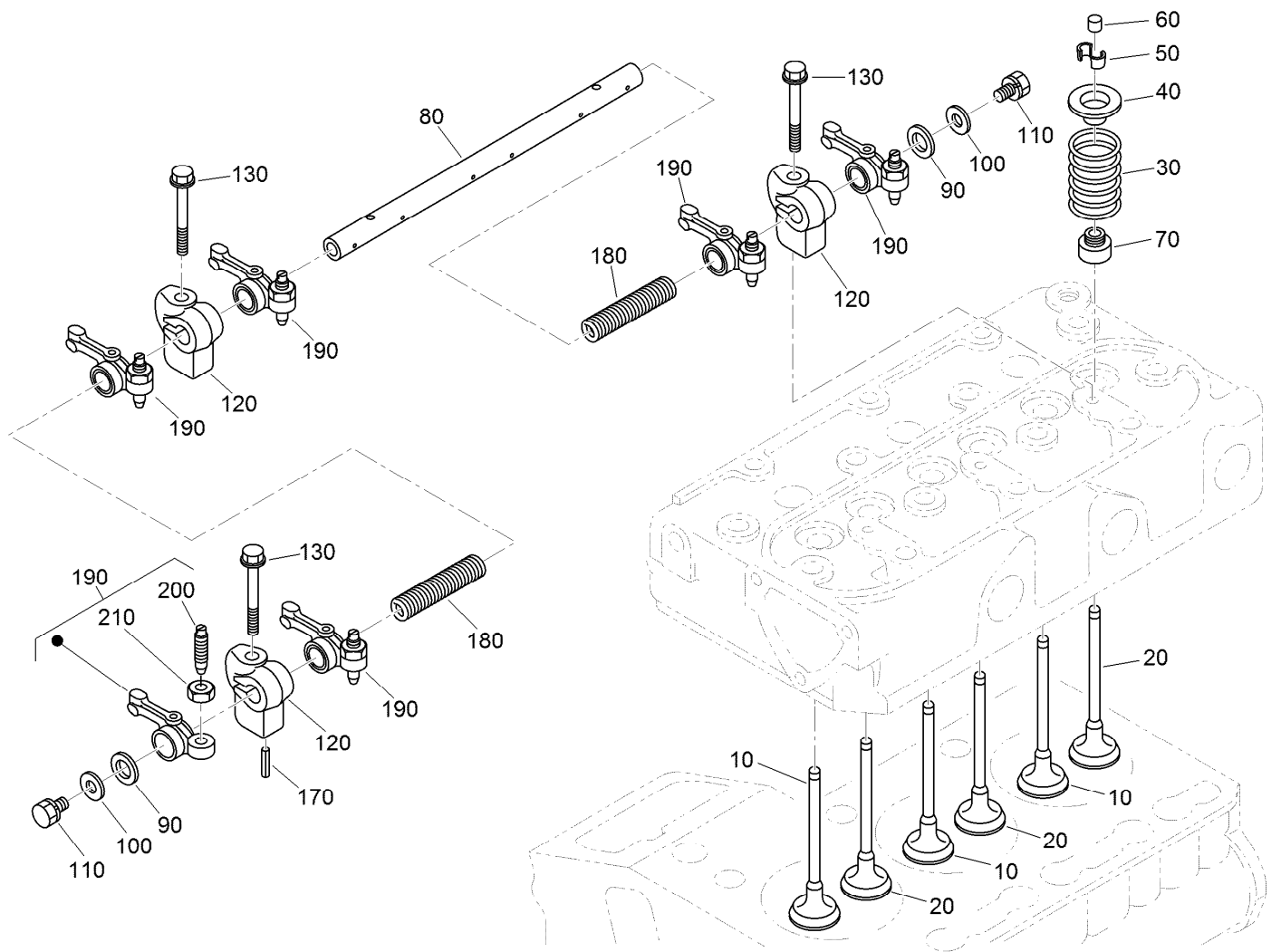
Water Flange and Thermostat Assembly

| <i>Ref.</i> | <i>Part Number</i> | <i>Qty.</i> | <i>Description</i> |
|-------------|--------------------|-------------|----------------------|
| 10 | 110-3819 | 1 | Water Flange ASM |
| 20 | 98-9580 | 1 | Pipe-Return, Water |
| 30 | 98-9444 | 1 | Plug |
| 40 | 110-3820 | 1 | Gasket-Flange, Water |
| 50 | 110-3821 | 1 | Plug |
| 60 | 98-7692 | 2 | Bolt |
| 70 | 125-9063 | 1 | Bolt-Sems |
| 80 | 110-3822 | 1 | Pipe-Return, Water |
| 90 | 125-9078 | 2 | Clamp-Hose |
| 100 | 98-7778 | 1 | Thermostat ASM |
| 110 | 120-7575 | 1 | Cover-Thermostat |
| 115 | 125-9079 | 1 | Plug |
| 120 | 105-3748 | 1 | Gasket-Thermostat |
| 130 | 98-7777 | 2 | Bolt |



Water Pump and Water Pipe Assembly

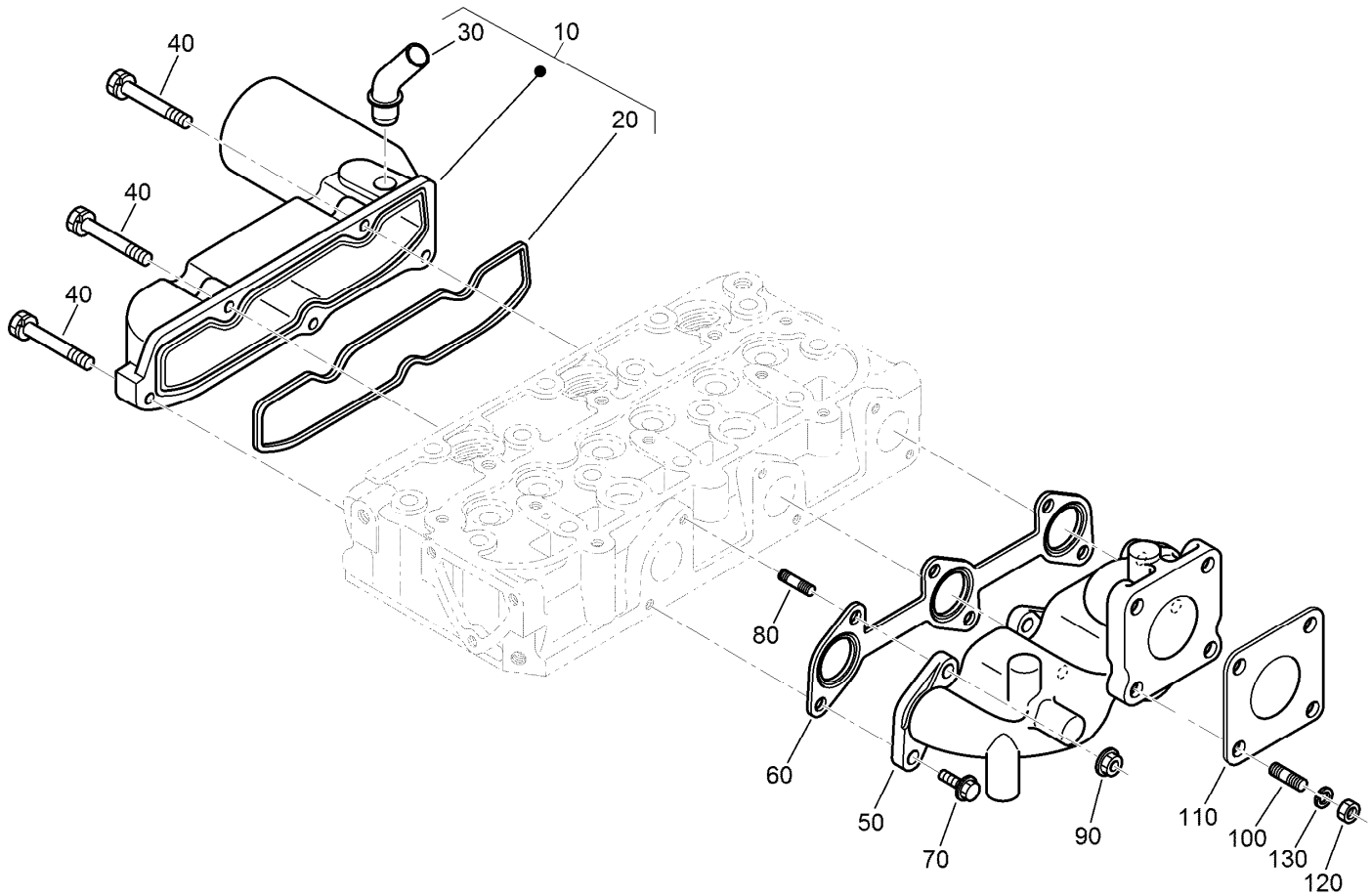
| <i>Ref.</i> | <i>Part Number</i> | <i>Qty.</i> | <i>Description</i> |
|-------------|--------------------|-------------|---------------------|
| 10 | 110-3824 | 1 | Water Pump ASM |
| 20 | 125-9081 | 1 | Flange-Pump, Water |
| 30 | 100-1934 | 1 | Bearing-Ball |
| 40 | 99-3518 | 1 | Water Pump Seal ASM |
| 60 | 100-1932 | 1 | Pipe-Return, Water |
| 70 | 117-0330 | 1 | Gasket-Pump, Water |
| 80 | 100-1750 | 4 | Bolt |
| 90 | 100-1918 | 1 | Pipe-Water |
| 100 | 110-3827 | 1 | Pipe-Water |
| 110 | 100-1924 | 1 | Stud |
| 120 | 100-2203 | 1 | Nut-Flange |
| 130 | 110-3828 | 2 | Band-Pipe |



Valve and Rocker Arm Assembly

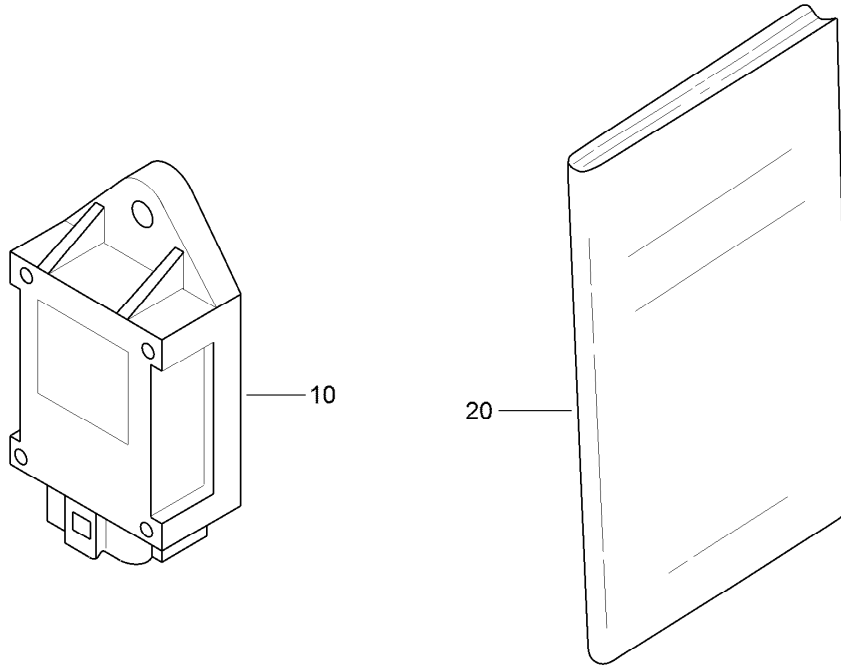
| Ref. | Part Number | Qty. | Description |
|------|-------------|------|------------------------|
| 10 | 112-2514 | 3 | Valve-Inlet |
| 20 | 112-2515 | 3 | Valve-Exhaust |
| 30 | 100-1823 | 6 | Spring-Valve |
| 40 | 100-1825 | 6 | Retainer-Spring, Valve |
| 50 | 120-3136 | 6 | Collet-Spring, Valve |
| 60 | 100-2155 | 6 | Cap-Valve |
| 70 | 100-1797 | 6 | Seal-Stem, Valve |
| 80 | 112-8341 | 1 | Shaft-Arm, Rocker |
| 90 | 100-2044 | 2 | Washer |

| Ref. | Part Number | Qty. | Description |
|------|-------------|------|---------------------|
| 100 | 110-3832 | 2 | Washer-Plain |
| 110 | 100-1762 | 2 | Bolt |
| 120 | 110-3833 | 3 | Bracket-Arm, Rocker |
| 130 | 110-3834 | 3 | Bolt-Flange |
| 170 | 98-7602 | 1 | Pin-Spring |
| 180 | 112-8342 | 2 | Spring |
| 190 | 100-1884 | 6 | Rocker Arm ASM |
| 200 | 100-1885 | 6 | Screw-Adjusting |
| 210 | 100-1827 | 6 | Nut |



Inlet and Exhaust Manifold Assembly

| <i>Ref.</i> | <i>Part Number</i> | <i>Qty.</i> | <i>Description</i> |
|-------------|--------------------|-------------|--------------------------|
| 10 | 120-3141 | 1 | Intake Manifold ASM |
| 20 | 110-3838 | 1 | Gasket-Manifold, Intake |
| 30 | 121-2417 | 1 | Pipe-Breather |
| 40 | 98-9352 | 5 | Bolt |
| 50 | 110-3839 | 1 | Manifold-Exhaust |
| 60 | 110-3840 | 1 | Gasket-Manifold, Exhaust |
| 70 | 130-1154 | 3 | Screw-Hex HD |
| 80 | 130-1156 | 3 | Bolt-Stud |
| 90 | 100-1778 | 3 | Nut |
| 100 | 98-7769 | 4 | Stud |
| 110 | 99-8343 | 1 | Gasket-Muffler |
| 120 | 98-7534 | 4 | Nut |
| 130 | 105-2893 | 4 | Washer-Spring |



Miscellaneous Engine Parts

| <i>Ref.</i> | <i>Part Number</i> | <i>Qty.</i> | <i>Description</i> |
|-------------|--------------------|-------------|--------------------|
| 10 | 98-7611 | 1 | Controller-Glow |
| 20 | 130-1513 | 1 | Manual-Operator |

Attachments and Accessories

For 07387 Workman HDX-D 4-Wheel Drive Utility Vehicle with Bed

| Product Name | Model/Part |
|---|-------------------|
| Pro Sweep Turf Sweeper..... | 07068 |
| High-Flow Hydraulic Kit | 07316 |
| Bed Liner | 07331 |
| Heater Kit..... | 07349 |
| Canopy | 07372 |
| Windshield..... | 07373 |
| 4 Post Roll-Over Protection System..... | 07378 |
| Cab Kit..... | 07392 |
| Door Kit with Sliding Window | 07393 |
| Rear PTO Kit | 07419 |
| Hand Throttle Kit..... | 07420 |
| Aggressive Tire Kit..... | 07422 |
| Synthetic Turf Conditioner, Tow-Behind Accessory..... | 08791 |
| Hitch Pin | 100-4523 |
| Jack Stand..... | 105-9482-03 |
| Backup Alarm Kit | 107-8037 |
| Premium ATF (Drum)..... | 108-1185 |
| Premium ATF (Pail) | 108-1186 |
| Premium All Purpose Grease (Tube) | 108-1190 |
| Remote Hydraulics Manifold Kit..... | 110-2626 |
| Wheel-12in x 8.0in | 114-8260 |
| Wireless Hourmeter | 115-4754 |
| Horn Kit..... | 115-7825 |
| Side Mirror Kit | 115-7849 |
| External Antenna Kit, Wireless Hourmeter System | 115-9524 |
| Base Station Kit, Wireless Hourmeter System | 115-9542 |
| Repeater Kit, Wireless Hourmeter System | 115-9543 |
| Worklight Kit | 117-4827 |
| Remote Hydraulic Float Kit | 117-4828 |
| Receiver Hitch Kit | 117-4831 |
| Trailer Signal Kit | 117-4836 |
| Canopy for Four-Post Roll-Over Protection System Kit..... | 119-9457 |
| Road Light and Homologation Kit | 120-5030 |
| High Air Intake Kit | 121-6285 |
| Front Differential Interrupter Kit..... | 121-6337 |
| Trailer Brake Kit | 125-0123 |
| Tailpipe Extension Kit..... | 127-7397 |
| Backup Alarm Kit | 127-8729 |
| 1/3 Area Cover Kit | 127-8739 |
| Exterior Mirror Kit..... | 130-5448 |
| Interior Mirror Kit..... | 130-5449 |
| Beacon Kit | 130-5484 |
| Work Light Kit | 130-5485 |
| Windshield Washer Fluid Kit, 2015 and after Workman MD/HD Series Utility Vehicle..... | 130-5615 |
| Hitch ASM..... | 131-3462 |
| Small Seat Cover..... | 131-6690 |

Attachments and Accessories (continued)

| | |
|--|----------|
| Tire/Wheel ASM (24 X 12-12) | 131-8428 |
| Tire/Wheel ASM (20 X 9-12) | 131-8430 |
| Tire/Wheel ASM (24 X 13-12) | 131-8432 |
| Tire-Rear | 131-8433 |
| Power Point Kit | 131-8550 |
| 4-Wheel Drive Wire Harness Kit | 132-6774 |
| LED Worklight Kit..... | 133-0554 |
| ROPS Beacon Kit | 133-0609 |
| Bracket-light, Canopy | 133-0627 |
| Door Mount Mirror Kit..... | 136-1997 |
| Wheel/Tire ASM, A502 (20X9-12)Semi-Aggressive | 136-6308 |
| Wheel/Tire ASM, K502 (24X12-12)Semi-Aggressive..... | 136-6309 |
| Wheel/Tire ASM, A404 (20X9-12)Smooth | 136-6334 |
| Wheel/Tire ASM, A404 (24X12-12)Smooth | 136-6335 |
| Brake and Signal LED Light Kit, Serial number 410500000 and After Workman HD Utility Vehicle | 145-2296 |
| LED Trailer Signal Kit..... | 147-2791 |
| LED Homologation Lamp Kit..... | 147-2798 |
| Fitting-Grease..... | 30249 |
| Multi Pro WM Turf Sprayer..... | 41240 |
| Topdresser 1800 | 44225 |
| Core Harvester Adapter Kit..... | 44242 |
| Topdresser 2500 | 44507 |
| Pro Force Debris Blower..... | 44552 |
| Pro Force Debris Blower..... | 44553 |
| Pro Force Debris Blower..... | 44554 |
| ProPass 200 Top Dresser with Twin Spinner | 44701 |
| ProPass 200 Top Dresser with Twin Spinner and Wireless Control | 44751 |
| 12 Inch Rear Wheel Weights | 81115 |
| Fuse Block | 92-2641 |
| PTO Over Running Clutch Kit | 92-2655 |
| Topdresser 1800 Lift Kit | 92-4452 |
| Spark Arrestor Screen | 94-8157 |
| Tire-Rear, Industrial | 99-1091 |

Notes:

Notes:

Notes:



Count on it.