



Count on it.

Parts Catalog

Reelmaster® 3100-D

Traction Unit With Sidewinder®

Model No. 03171—Serial No. 403430001 and Up



Ordering Replacement Parts

To order replacement parts, please supply the part number, the quantity, and the description of each part desired.

Understanding Reference Numbers

Each identified part in an illustration has a reference number. The reference number for a part also appears in the parts list, along with other information about the part.

This catalog uses two special reference number formats, one to indicate parts in a service assembly and another to indicate the quantity of a given part in an illustration.

Service Assembly Reference Numbers

Parts in service assemblies have reference numbers in the form a:b. The a represents the reference number of the entire service assembly and the b represents a sequential number unique to each part within the service assembly.

For example, a wheel assembly might be identified by reference number 6, the tire by 6:1, the valve by 6:2, and the wheel by 6:3. When you order the assembly identified by reference number 6, you receive all parts identified by reference numbers 6:1, 6:2, and 6:3. However, you may also order any part individually. Reference numbers of this type appear in illustration and in parts lists.

Reference Numbers Indicating Quantity

In an illustration, if a reference number indicates more than one part, the reference number has the form nX y. The n represents the quantity of the part, the X is the multiplication symbol, and the y represents the reference number.

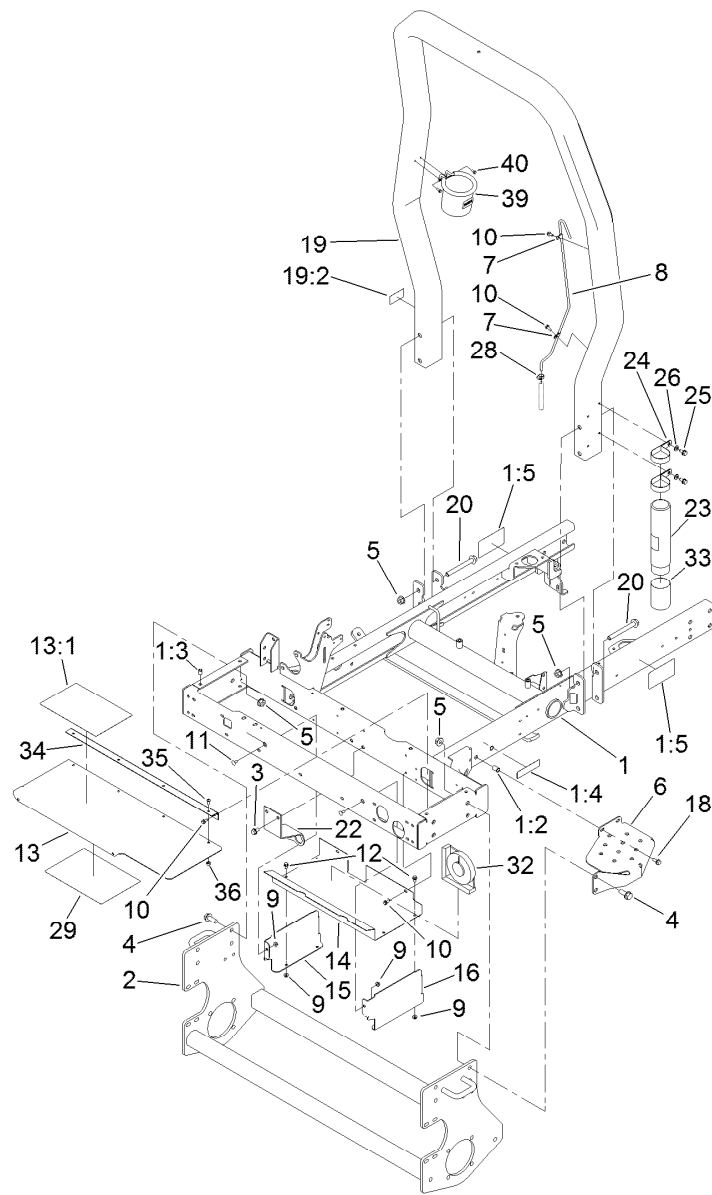
For example, in an illustration, the reference number 2X 37 means that two of the parts identified by reference number 37 are indicated.

Contents

| | |
|---|----|
| Frame and Platform Assembly | 5 |
| Front Wheel and Brake Assembly | 6 |
| Hydraulic Motor Assembly No. 110-8786 | 8 |
| Hydraulic Motor Assembly No. 110-8785 | 9 |
| Brake Assembly No. 104-7705 | 10 |
| Steering Column Assembly | 11 |
| Steering Valve Assembly No. 121-7856 | 12 |
| Rear Fork and Tire Assembly | 13 |
| Hydraulic Cylinder Assembly No. 94-8141 | 15 |
| Hydraulic Motor Assembly No. 95-8694 | 16 |
| Control Panel Assembly | 17 |
| Front Platform Assembly | 18 |
| Traction Pedal Assembly | 19 |
| Control Valve Installation Assembly | 20 |
| Valve Assembly No. 95-8581 | 21 |
| Rear Lift Arm Assembly | 22 |
| Hydraulic Cylinder Assembly No. 112-9916 | 24 |
| Neutral Arm Assembly | 25 |
| Engine Assembly | 26 |
| Air Cleaner and Muffler Assembly | 27 |
| Air Cleaner Assembly No. 93-2190 | 28 |
| Radiator Assembly | 29 |
| Hood Assembly | 30 |
| Fuel System Assembly | 31 |
| Manifold Block Assembly | 32 |
| Hydraulic Manifold Assembly No. 108-9037 | 33 |
| Hydraulic Tank Assembly | 34 |
| Hydrostat Assembly | 35 |
| Hydraulic Pump Assembly No. 104-4890 | 37 |
| Gear Pump Assembly No. 95-8601 | 39 |
| Carrier Assembly | 40 |
| Hydraulic Cylinder Assembly No. 117-5109 | 42 |
| Scissor Assembly | 43 |
| Reel Motor Assembly | 44 |
| Gear Motor Assembly No. 115-8250 | 45 |
| Battery Assembly | 46 |
| Parking Brake Assembly | 47 |
| Seat Assembly | 48 |
| Crankcase Assembly | 49 |
| Oil Pan and Dipstick Assembly | 50 |
| Cylinder Head Assembly | 51 |
| Gear Case and Oil Filter Cartridge Assembly | 52 |
| Cylinder Head Cover Assembly | 53 |
| Main Bearing Case Assembly | 54 |
| Camshaft and Idle Gear Shaft Assembly | 55 |
| Piston and Crankshaft Assembly | 56 |
| Fuel Camshaft and Governor Shaft Assembly | 57 |
| Idle Apparatus Assembly | 58 |
| Stop Solenoid and Fuel Pump Cover Assembly | 59 |
| Injection Pump Assembly | 60 |
| Governor Assembly | 61 |
| Speed Control Plate Assembly | 62 |
| Nozzle Holder and Glow Plug Assembly | 63 |
| Nozzle Holder Assembly | 64 |

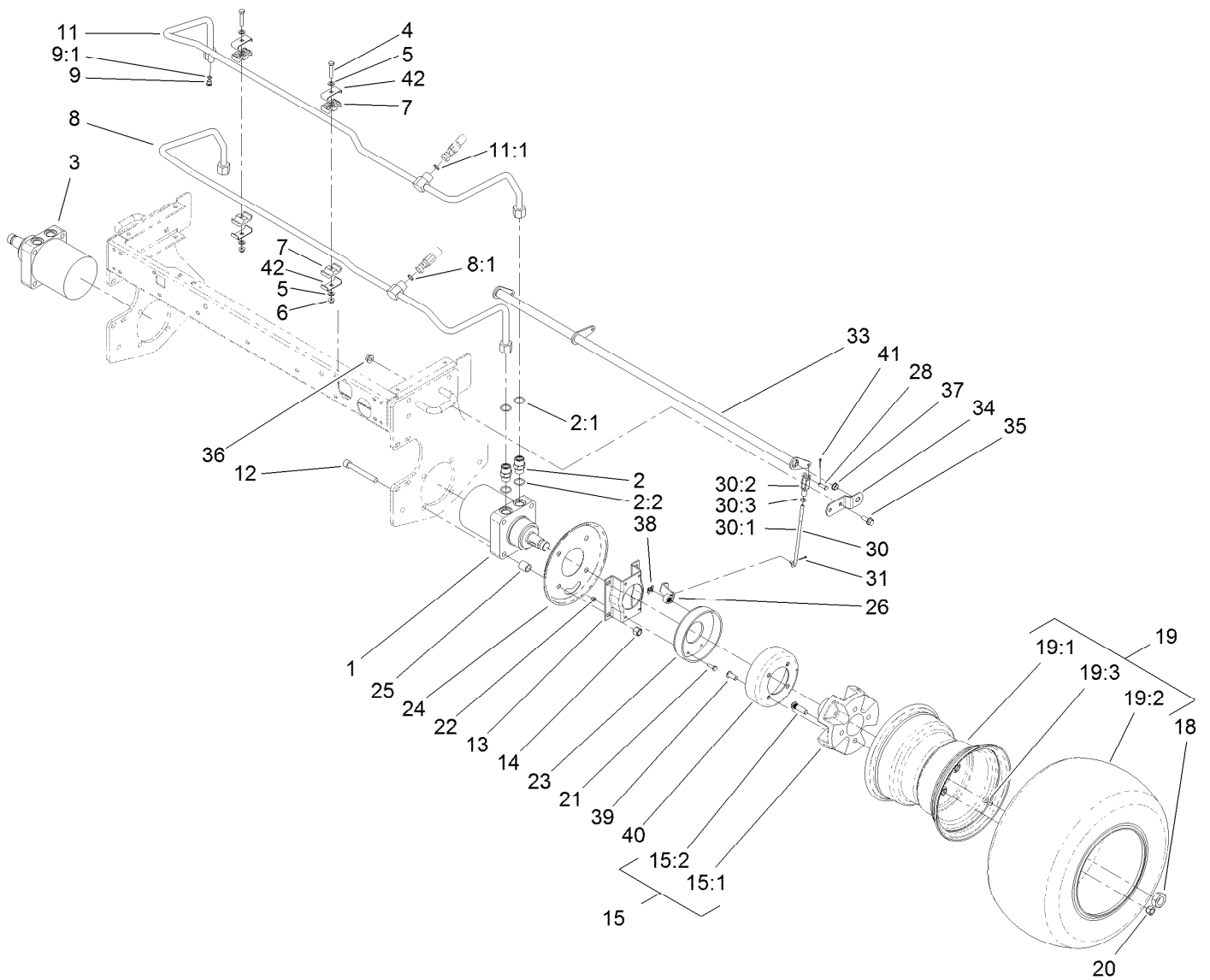
Contents (continued)

| | |
|--|----|
| Alternator, Pulley and Fan Assembly | 65 |
| Alternator Components Assembly | 66 |
| Starter and Flywheel Assembly | 67 |
| Starter Component Assembly | 68 |
| Water Flange and Thermostat Assembly | 69 |
| Water Pump and Water Pipe Assembly | 70 |
| Valve and Rocker Arm Assembly | 71 |
| Inlet and Exhaust Manifold Assembly | 72 |
| Miscellaneous Engine Parts | 73 |
| Upper Gasket Kit | 74 |
| Lower Engine Gasket Kit | 75 |
| Attachments and Accessories | 76 |



Frame and Platform Assembly

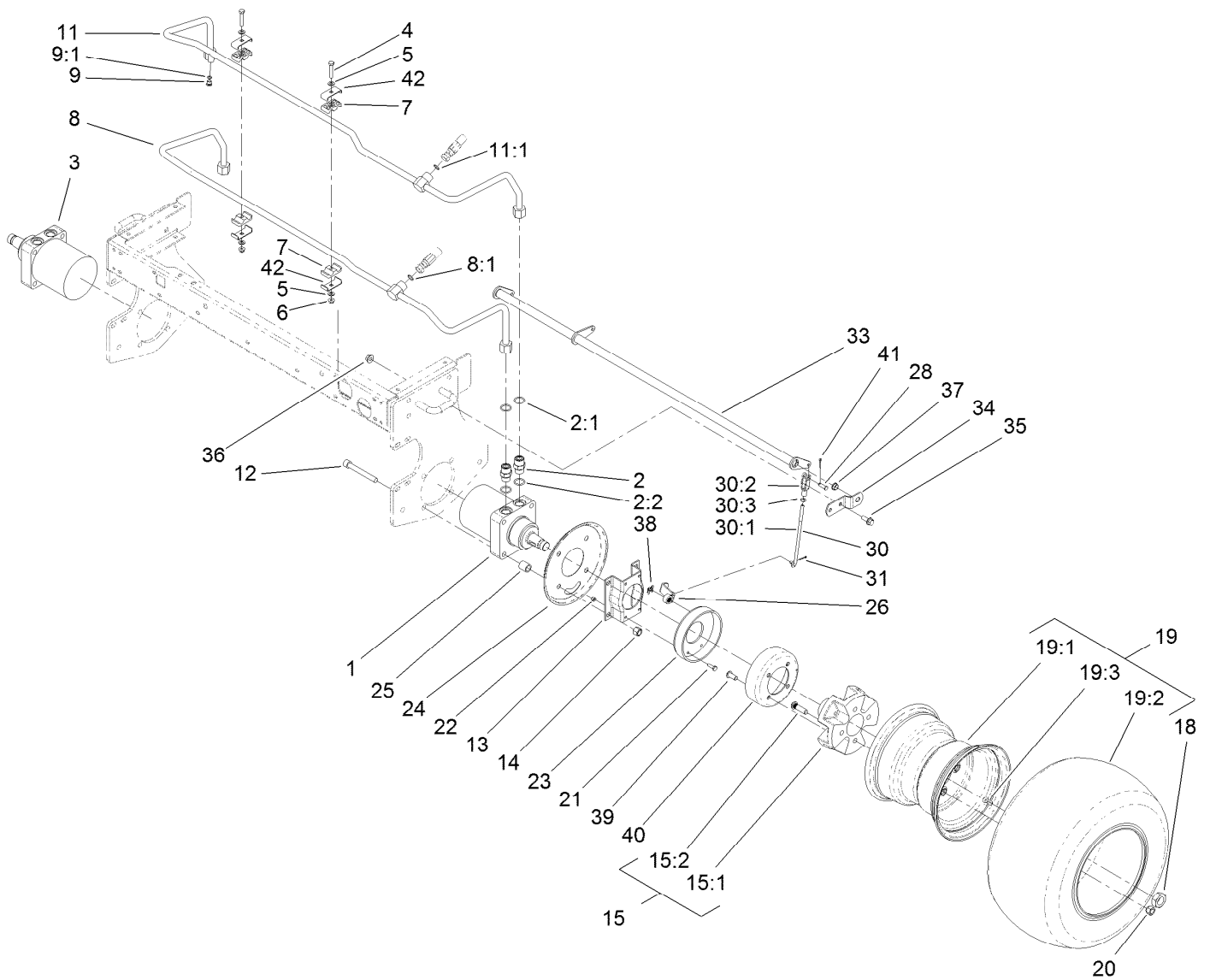
| Ref. | Part Number | Qty. | Description | Ref. | Part Number | Qty. | Description |
|------|-------------|------|------------------------|------|-------------|------|---------------------------|
| 1 | 121-3639 | 1 | Frame ASM W/Decals | 16 | 99-3432-03 | 1 | End-Toolbox, LH |
| 1:2 | 32148-8 | 2 | Nut-Clinch | 18 | 3234-5 | 2 | Screw-HHF |
| 1:3 | 32148-6 | 2 | Nut-Clinch | 19 | 127-8493 | 1 | ROPS ASM |
| 1:4 | 133-8062 | 1 | Decal-Arrestor, Spark | 19:2 | 127-8596 | 1 | Decal-ROPS |
| 1:5 | 117-3270 | 2 | Decal-Danger | 20 | 117-3176 | 4 | Screw-HHF |
| 2 | 95-8568-03 | 1 | Frame-Lower | 22 | 115-3417-03 | 1 | Bracket-Bulkhead, Scissor |
| 3 | 32144-15 | 2 | Screw-HHFTF | 23 | 104-7050 | 1 | Tube-Manual |
| 4 | 3234-38 | 8 | Screw-HHF | 24 | 2412-133 | 2 | Clamp-R |
| 5 | 32128-49 | 12 | Nut-HHF | 25 | 32144-70 | 2 | Screw-HWHTF |
| 6 | 99-3375-03 | 1 | Step | 26 | 3256-23 | 2 | Washer-Plain |
| 7 | 2412-72 | 2 | Clip-Closed, Insulated | 28 | 2412-108 | 1 | Clamp-Worm |
| 8 | 95-8615 | 1 | Tube-Breather | 29 | 121-3607 | 1 | Decal-Service |
| 9 | 32128-33 | 6 | Nut-HF | 32 | 99-3503 | 1 | Indicator-Angle |
| 10 | 32144-10 | 10 | Screw-HWH | 33 | 104-7048 | 1 | Cap-Housing |
| 11 | 3229-11 | 2 | Screw-CARR | 34 | 119-2034 | 1 | Hinge-Toolbox |
| 12 | 3234-13 | 4 | Screw-HHF | 35 | 119-6906 | 4 | Screw-HSBH |
| 13 | 119-2029 | 1 | Toolbox Cover ASM | 36 | 3296-42 | 4 | Nut-Lock, NI |
| 13:1 | 121-3623 | 1 | Decal-Danger | 39 | 117-2378 | 1 | Holder-Bag |
| 14 | 99-3430-03 | 1 | Bottom-Toolbox | 40 | 32144-1 | 2 | Screw-Taptite |
| 15 | 99-3431-03 | 1 | End-Toolbox, RH | | | | |



Front Wheel and Brake Assembly

| Ref. | Part Number | Qty. | Description | Ref. | Part Number | Qty. | Description |
|------|-------------|------|---------------------|------|-------------|------|----------------------|
| 1 | 110-8785 | 1 | HYD Motor ASM (CCW) | 15 | | 2 | Wheel Hub/Stud ASM ● |
| 2 | 340-7 | 4 | Fitting-Straight | 15:1 | 104-0462 | 1 | Hub-Wheel, Spacer |
| 2:1 | 237-65 | 1 | O-Ring | 15:2 | 10-6830 | 4 | Stud-Type, Drive |
| 2:2 | 237-80 | 1 | O-Ring | 18 | 26-3790 | 2 | Nut-Lock |
| 3 | 110-8786 | 1 | HYD Motor ASM (CW) | 19 | | 2 | Tire And Rim ASM ● |
| 4 | 322-9 | 2 | Screw-HH | 19:1 | 121-3548 | 1 | Rim |
| 5 | 3256-23 | 4 | Washer-Plain | 19:2 | 117-5125 | 1 | Tire |
| 6 | 3296-29 | 2 | Nut-Lock, NI | 19:3 | 232-27 | 1 | Stem-Valve |
| 7 | 56-7971 | 4 | Clamp-Tube | 20 | 242-50 | 8 | Nut-Lug |
| 8 | 95-8783 | 1 | Tube ASM | 21 | 321-5 | 8 | Screw-HH |
| 8:1 | 237-65 | 1 | O-Ring | 22 | 3296-42 | 8 | Nut-Lock, NI |
| 9 | 353-990 | 1 | Plug ASM | 23 | 104-7705 | 2 | Brake ASM |
| 9:1 | 237-78 | 1 | O-Ring | 24 | 104-0485-03 | 2 | Shield-Wheel |
| 11 | 95-8784 | 1 | Tube ASM | 25 | 119-8238 | 8 | Spacer-Deck Pulley |
| 11:1 | 237-65 | 1 | O-Ring | 26 | 114-2726 | 2 | Lever-Brake |
| 12 | 3274-99 | 8 | Screw-HSH | 28 | 283-1 | 2 | Pin-Clevis |
| 13 | 84-2000-03 | 2 | Bracket-Brake | 30 | 115-6672 | 2 | Brake Lever ASM |
| 14 | 3296-23 | 8 | Nut-Lock, NI | 30:1 | 104-4627 | 1 | Rod-Adjusting |

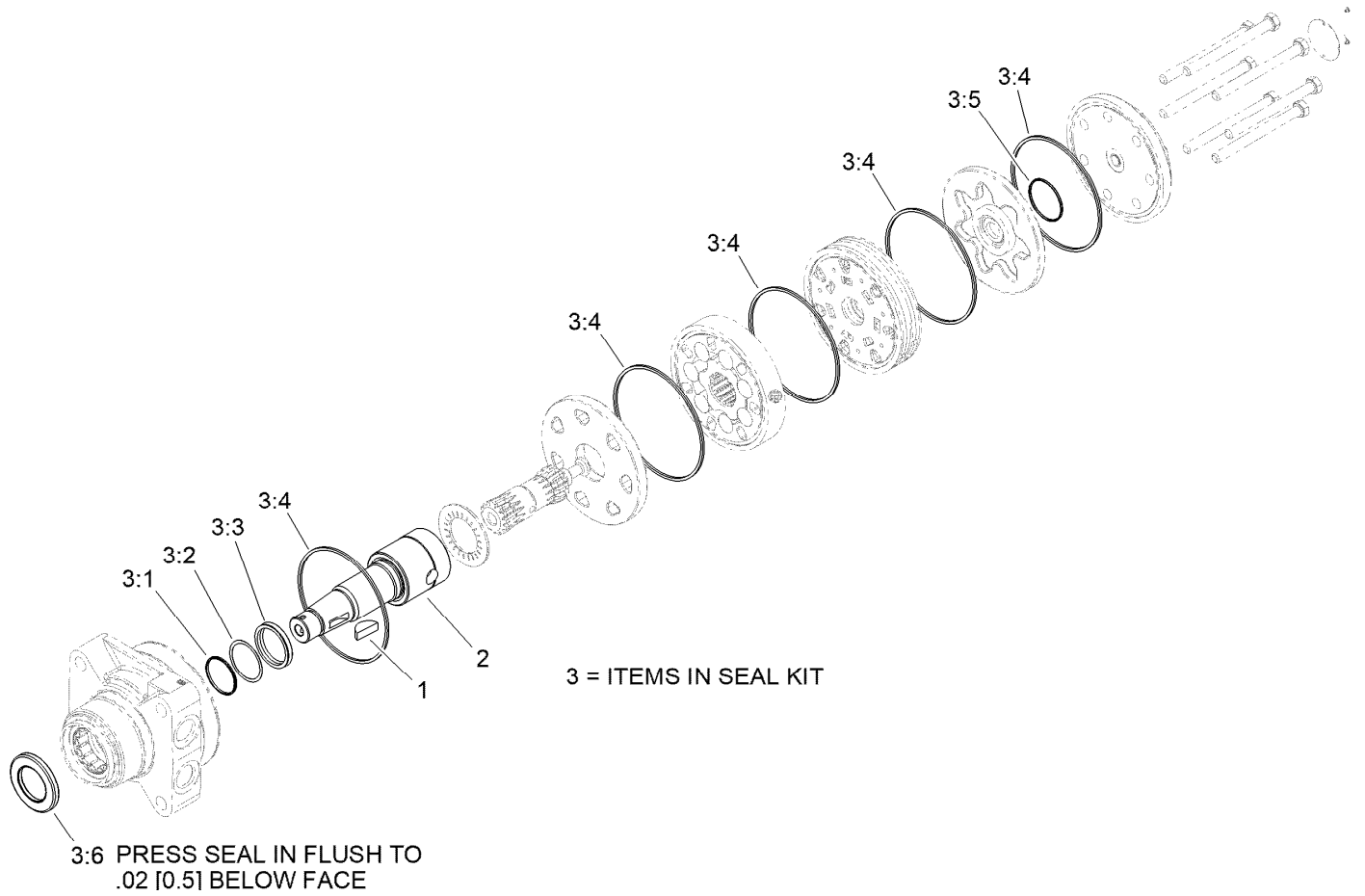
● Not serviced separately



Front Wheel and Brake Assembly (continued)

| Ref. | Part Number | Qty. | Description | Ref. | Part Number | Qty. | Description |
|------|-------------|------|----------------------|------|-------------|------|----------------|
| 30:2 | 1-303105 | 1 | Yoke-Adjustable | 37 | 256-156 | 2 | Bushing-Flange |
| 30:3 | 3220-2 | 1 | Nut-Jam | 38 | 104-7706 | 2 | E-Ring, Bowed |
| 31 | 3272-6 | 2 | Pin-Cotter | 39 | 3274-105 | 8 | Screw-HSBH |
| 33 | 104-4625-03 | 1 | Shaft-Pivot, Brake | 40 | 104-4809 | 2 | Drum-Brake |
| 34 | 95-8683 | 2 | Bracket-Pivot, Brake | 41 | 3272-10 | 2 | Pin-Cotter |
| 35 | 3234-11 | 4 | Screw-HHF | 42 | 119-1419 | 4 | Plate-Clamp |
| 36 | 32128-43 | 4 | Nut-Flange | | | | |

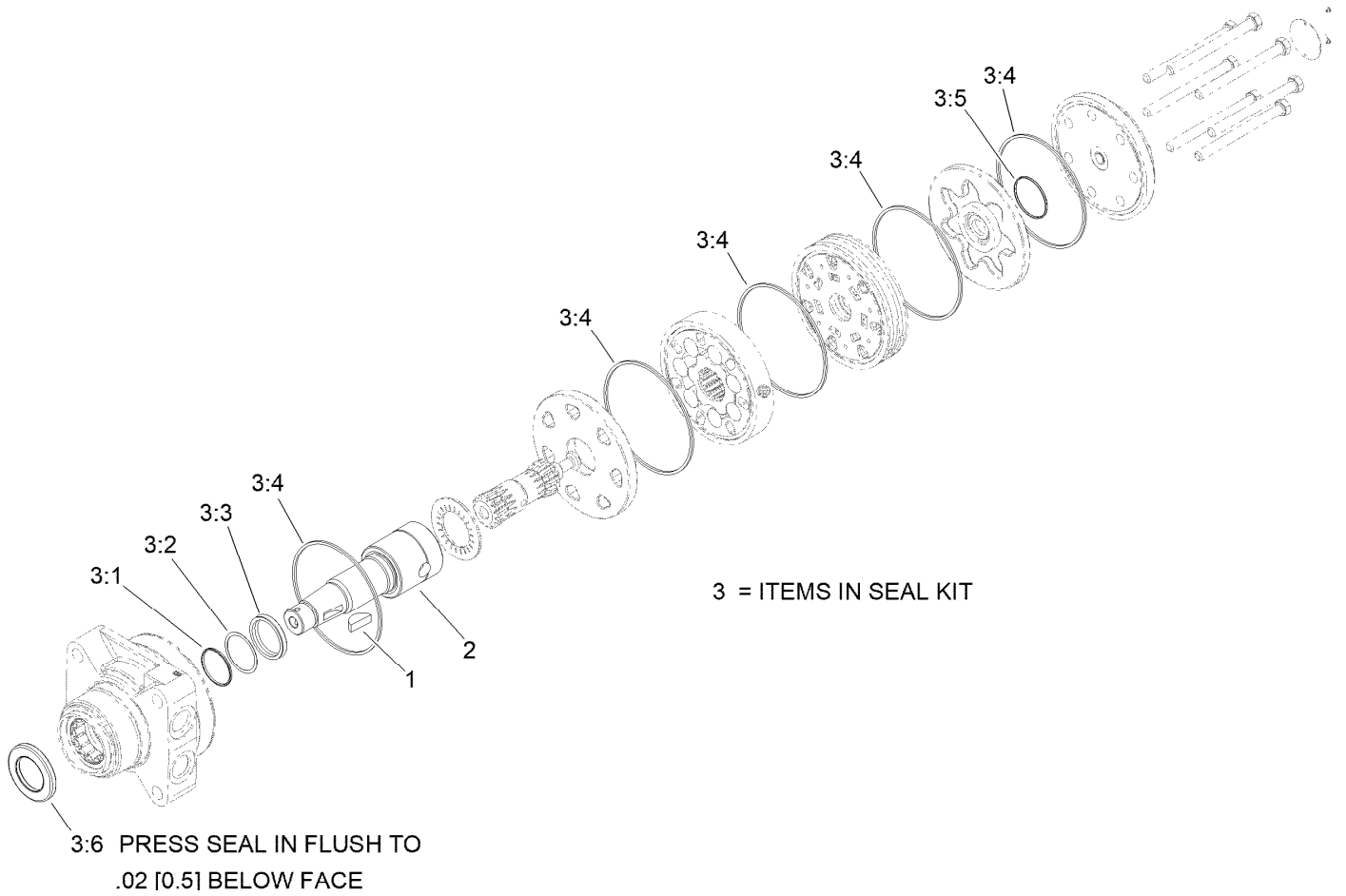
● Not serviced separately



Hydraulic Motor Assembly No. 110-8786

| Ref. | Part Number | Qty. | Description |
|------|-------------|------|-----------------------|
| 1 | 3257-42 | 1 | Key-Woodruff |
| 2 | 99-3090 | 1 | Shaft-Coupling |
| 3 | 100-6131 | 1 | Seal Kit |
| 3:1 | | 1 | Ring-Back Up ● |
| 3:2 | | 1 | Washer-Back Up ● |
| 3:3 | | 1 | Seal-Shaft ● |
| 3:4 | | 5 | Seal-Ring ● |
| 3:5 | | 1 | Seal-Commutator ● |
| 3:6 | | 1 | Seal-Dirt And Water ● |

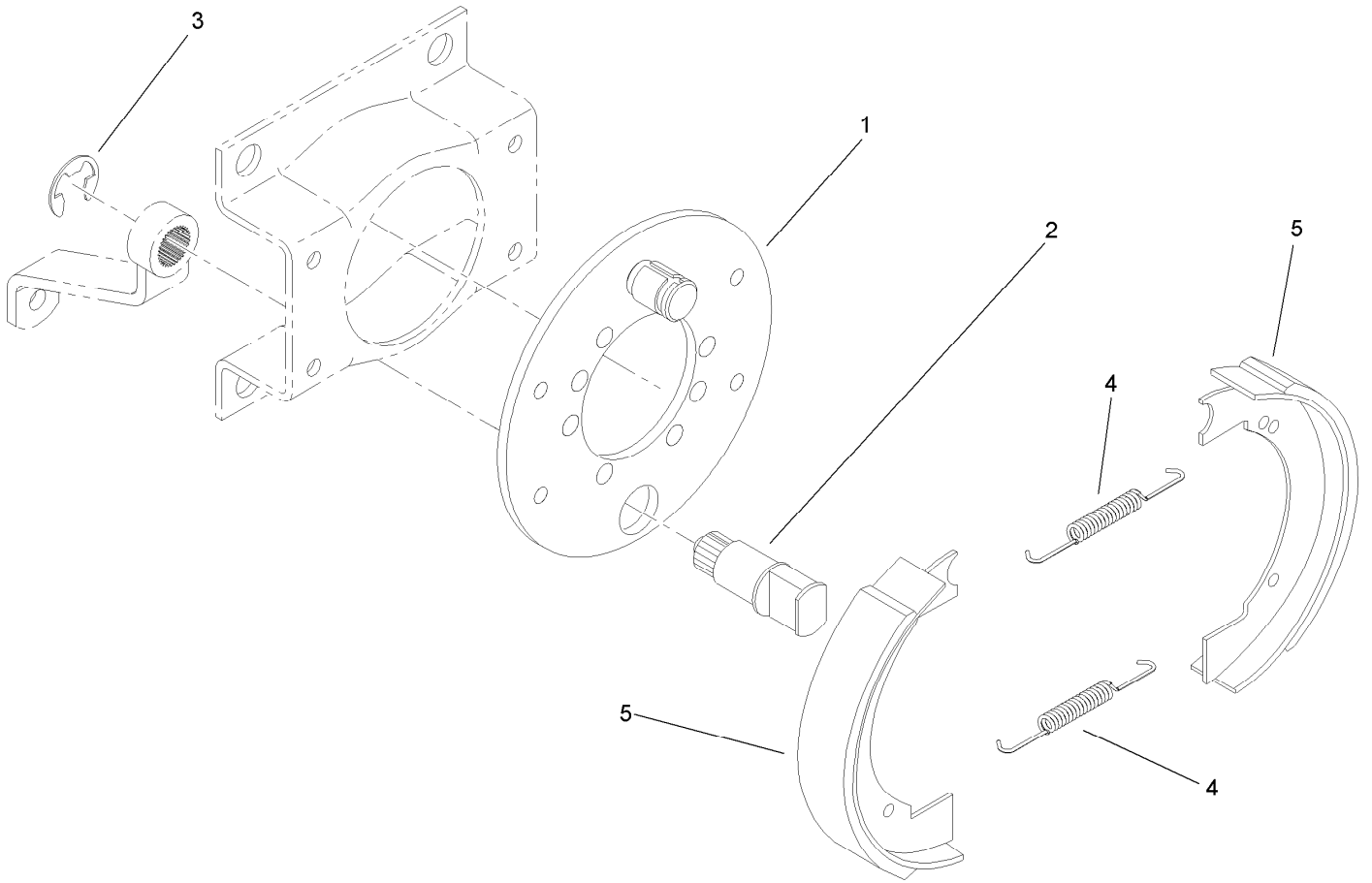
● Not serviced separately



Hydraulic Motor Assembly No. 110-8785

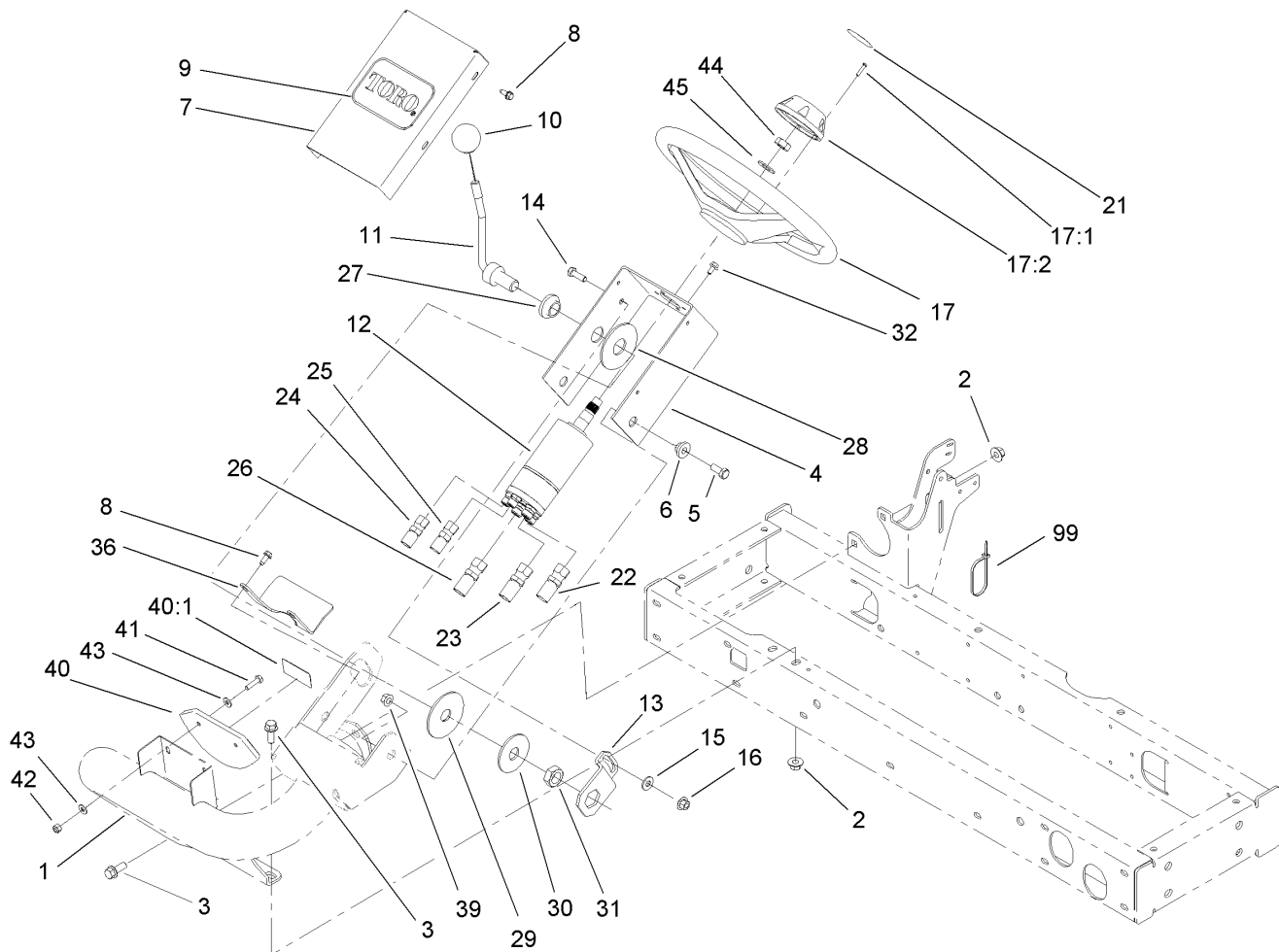
| Ref. | Part Number | Qty. | Description |
|------|-------------|------|-----------------------|
| 1 | 3257-42 | 1 | Key-Woodruff |
| 2 | 99-3090 | 1 | Shaft-Coupling |
| 3 | 100-6131 | 1 | Seal Kit |
| 3:1 | | 1 | Ring-Back Up ● |
| 3:2 | | 1 | Washer-Back Up ● |
| 3:3 | | 1 | Seal-Shaft ● |
| 3:4 | | 5 | Seal-Ring ● |
| 3:5 | | 1 | Seal-Commutator ● |
| 3:6 | | 1 | Seal-Dirt And Water ● |

● Not serviced separately



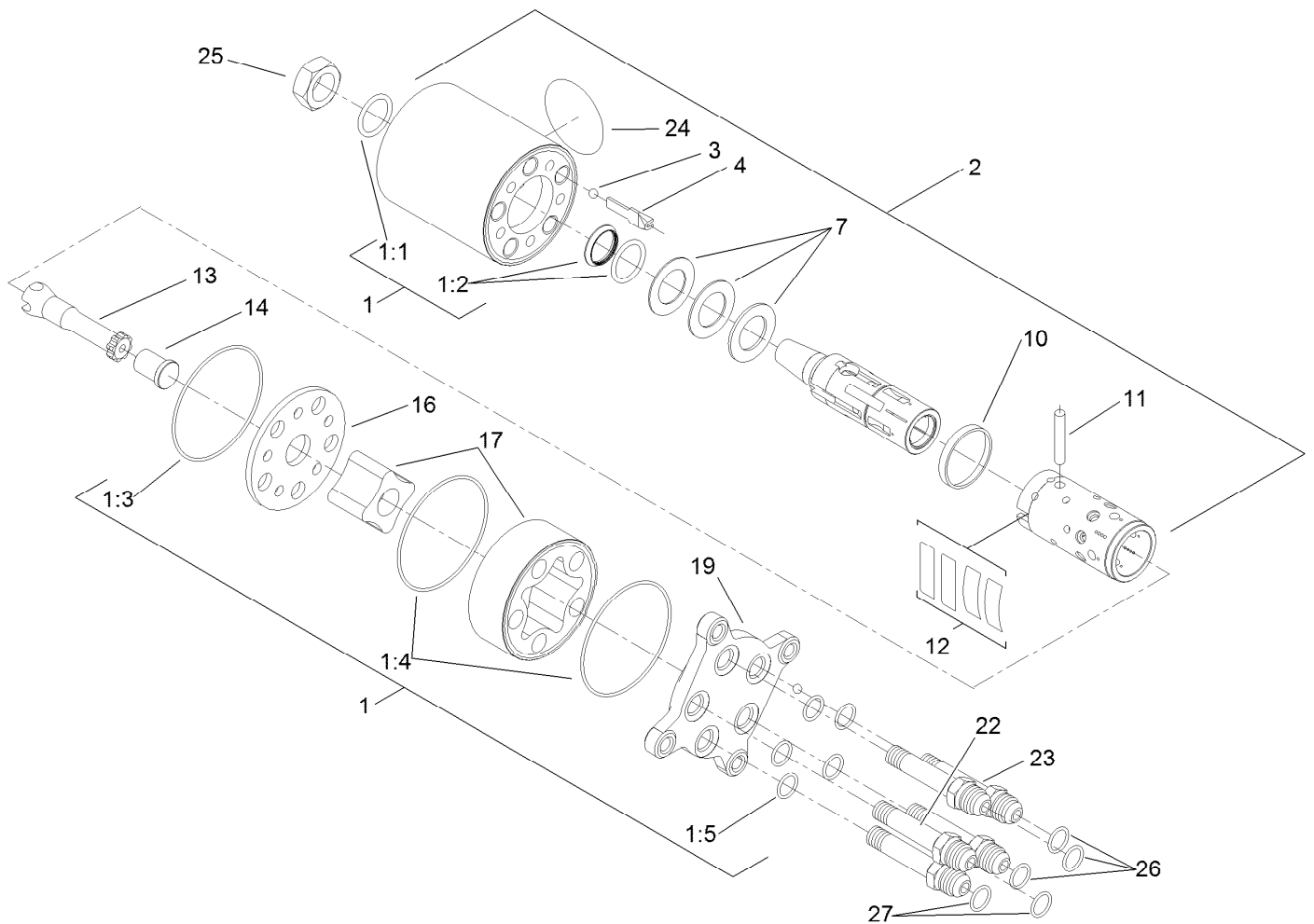
Brake Assembly No. 104-7705

| <i>Ref.</i> | <i>Part Number</i> | <i>Qty.</i> | <i>Description</i> |
|-------------|--------------------|-------------|--------------------|
| 1 | 70-9870 | 1 | Plate-Backing |
| 2 | 104-7707 | 1 | Shaft-Cam, Brake |
| 3 | 104-7706 | 1 | E-Ring, Bowed |
| 4 | 70-9880 | 2 | Spring-Return |
| 5 | 70-9840 | 2 | Shoe-Brake |



Steering Column Assembly

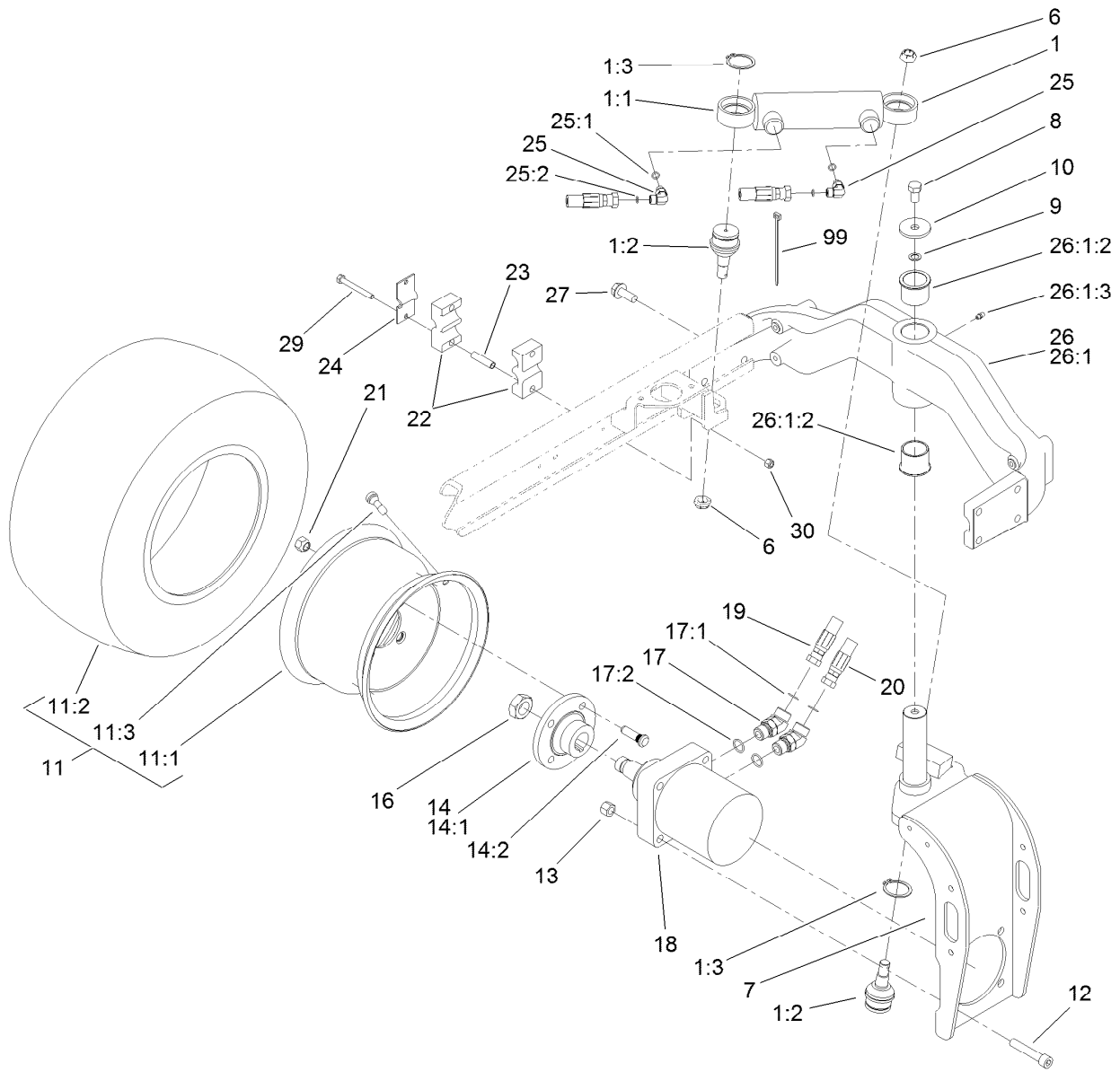
| Ref. | Part Number | Qty. | Description | Ref. | Part Number | Qty. | Description |
|------|-------------|------|-------------------------|------|-------------|------|-------------------------|
| 1 | 105-8536-01 | 1 | Arm-Steering | 23 | 95-8843 | 1 | Hose-HYD |
| 2 | 32128-43 | 4 | Nut-Flange | 24 | 95-8844 | 1 | Hose ASM |
| 3 | 3234-11 | 4 | Screw-HHF | 25 | 95-8845 | 1 | Hose ASM |
| 4 | 104-5185-01 | 1 | Bracket-Valve, Steering | 26 | 95-8846 | 1 | Hose-HYD |
| 5 | 323-5 | 2 | Screw-HH | 27 | 99-3502 | 1 | Boss |
| 6 | 93-5988 | 2 | Hub-Pivot | 28 | 31-0390 | 1 | Disc-Friction |
| 7 | 95-8794-01 | 1 | Cover-Valve, Steering | 29 | 82-9010 | 1 | Disc-Friction |
| 8 | 32144-10 | 5 | Screw-HWH | 30 | 80-2930 | 1 | Washer-Flat |
| 9 | 67-1300 | 1 | Decal | 31 | 3218-7 | 1 | Nut-Jam |
| 10 | 233-48 | 1 | Knob | 32 | 33103-012 | 4 | Screw-HHF |
| 11 | 95-8798-03 | 1 | Lever-Steering | 36 | 99-3405-01 | 1 | Shield-Steering |
| 12 | 121-7856 | 1 | Steering Valve ASM | 39 | 32128-21 | 2 | Nut-HF Lock |
| 13 | 80-2880 | 1 | Bracket-Tilt | 40 | 100-4929 | 1 | Slope Indicator ASM |
| 14 | 322-5 | 1 | Screw-HH | 40:1 | 121-3598 | 1 | Decal-Danger, 17 Degree |
| 15 | 3256-3 | 1 | Washer-Flat | 40:1 | 121-3628 | 1 | Decal-Angle |
| 16 | 32128-44 | 1 | Nut | 41 | 321-7 | 2 | Screw-HH |
| 17 | 75-0560 | 1 | Steering Wheel ASM | 42 | 3296-42 | 2 | Nut-Lock, NI |
| 17:1 | 32144-21 | 1 | Screw | 43 | 3256-22 | 4 | Washer-Flat |
| 17:2 | 68-5140 | 1 | Cap-Wheel, Steering | 44 | 3296-33 | 1 | Nut-Lock, NI |
| 21 | 68-5370 | 1 | Decal | 45 | 3256-27 | 1 | Washer-Flat |
| 22 | 95-8842 | 1 | Hose-HYD | 99 | 3290-378 | 2 | Tie-Cable |



Steering Valve Assembly No. 121-7856

| Ref. | Part Number | Qty. | Description | Ref. | Part Number | Qty. | Description |
|------|-------------|------|-------------------|------|-------------|------|---------------------|
| 1 | 106-6716 | 1 | Seal Kit | 12 | | 1 | Springs ● |
| 1:1 | | 1 | Ring-Seal, Dust ● | 13 | | 1 | Shaft ● |
| 1:2 | | 1 | Seal-Shaft ● | 14 | | 1 | Spacer ● |
| 1:3 | | 1 | O-Ring ● | 16 | | 1 | Plate-Distributor ● |
| 1:4 | | 2 | O-Ring ● | 17 | | 1 | Gearwheel Set ● |
| 1:5 | | 5 | O-Ring ● | 19 | | 1 | Cover-End ● |
| 2 | | 1 | Housing ● | 22 | | 1 | Screw-Special ● |
| 3 | | 1 | Ball ● | 23 | | 4 | Screw-Special ● |
| 4 | | 1 | Stop-Ball ● | 24 | | 1 | Plate-Name ● |
| 7 | | 1 | Bearing ASM ● | 25 | 3296-33 | 1 | Nut-Lock, NI |
| 10 | | 1 | Ring ● | 26 | 237-22 | 3 | O-Ring |
| 11 | | 1 | Pin-Cross ● | 27 | 237-21 | 2 | O-Ring |

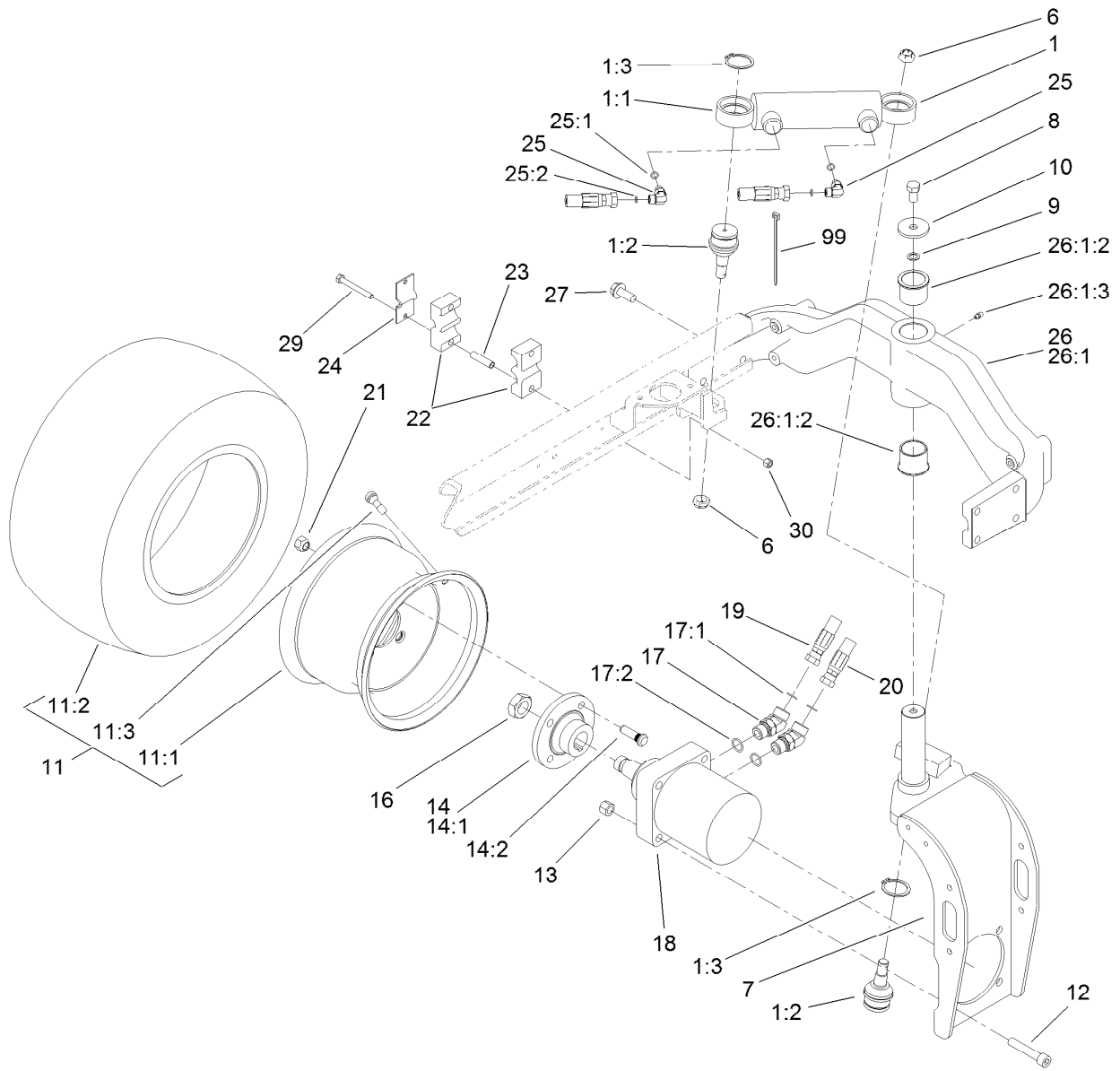
● Not serviced separately



Rear Fork and Tire Assembly

| Ref. | Part Number | Qty. | Description | Ref. | Part Number | Qty. | Description |
|------|-------------|------|--------------------------|--------|-------------|------|-----------------------|
| 1 | | 1 | Steering Cylinder ASM ● | 16 | 26-3790 | 1 | Nut-Lock |
| 1:1 | 94-8141 | 1 | HYD Cylinder ASM | 17 | 340-14 | 2 | Fitting-HYD, 45 DEG |
| 1:2 | 121-3605 | 2 | Ball Joint | 17:1 | 237-65 | 1 | O-Ring |
| 1:3 | 32151-104 | 2 | Ring-Retaining, External | 17:2 | 237-80 | 1 | O-Ring |
| 6 | 121-3611 | 2 | Nut-Hex, Flextop | 18 | 95-8694 | 1 | HYD Motor ASM |
| 7 | 95-8905-01 | 1 | Fork-Rear | 19 | 105-1221 | 1 | Hose ASM |
| 8 | 325-3 | 1 | Screw-HH | 20 | 105-1222 | 1 | Hose ASM |
| 9 | 3255-2 | 1 | Washer-Lock, EXT | 21 | 242-50 | 4 | Nut-Lug |
| 10 | 75-7730 | 1 | Washer-Thrust | 22 | 82-8170 | 2 | Clamp |
| 11 | | 1 | Wheel And Tire ASM ● | 23 | 93-7960 | 2 | Spacer |
| 11:1 | 117-5129 | 1 | Rim | 24 | 93-7961 | 1 | Clamp-Drain, Case |
| 11:2 | 115-1572 | 1 | Tire | 25 | 340-132 | 2 | Fitting-Elbow, 90 DEG |
| 11:3 | 232-27 | 1 | Stem-Valve | 25:1 | 237-78 | 1 | O-Ring |
| 12 | 3274-93 | 4 | Screw-HSH | 25:2 | 237-21 | 1 | O-Ring |
| 13 | 3296-23 | 4 | Nut-Lock, NI | 26 | 107-7828-03 | 1 | Casting-Rear |
| 14 | | 1 | Wheel Hub/Stud ASM ● | 26:1 | | 1 | Rear Casting ASM ● |
| 14:1 | 10-6870-03 | 1 | Hub-Wheel | 26:1:2 | 95-8805 | 2 | Bushing |
| 14:2 | 10-6830 | 4 | Stud-Type, Drive | 26:1:3 | 302-5 | 1 | Fitting-Grease |

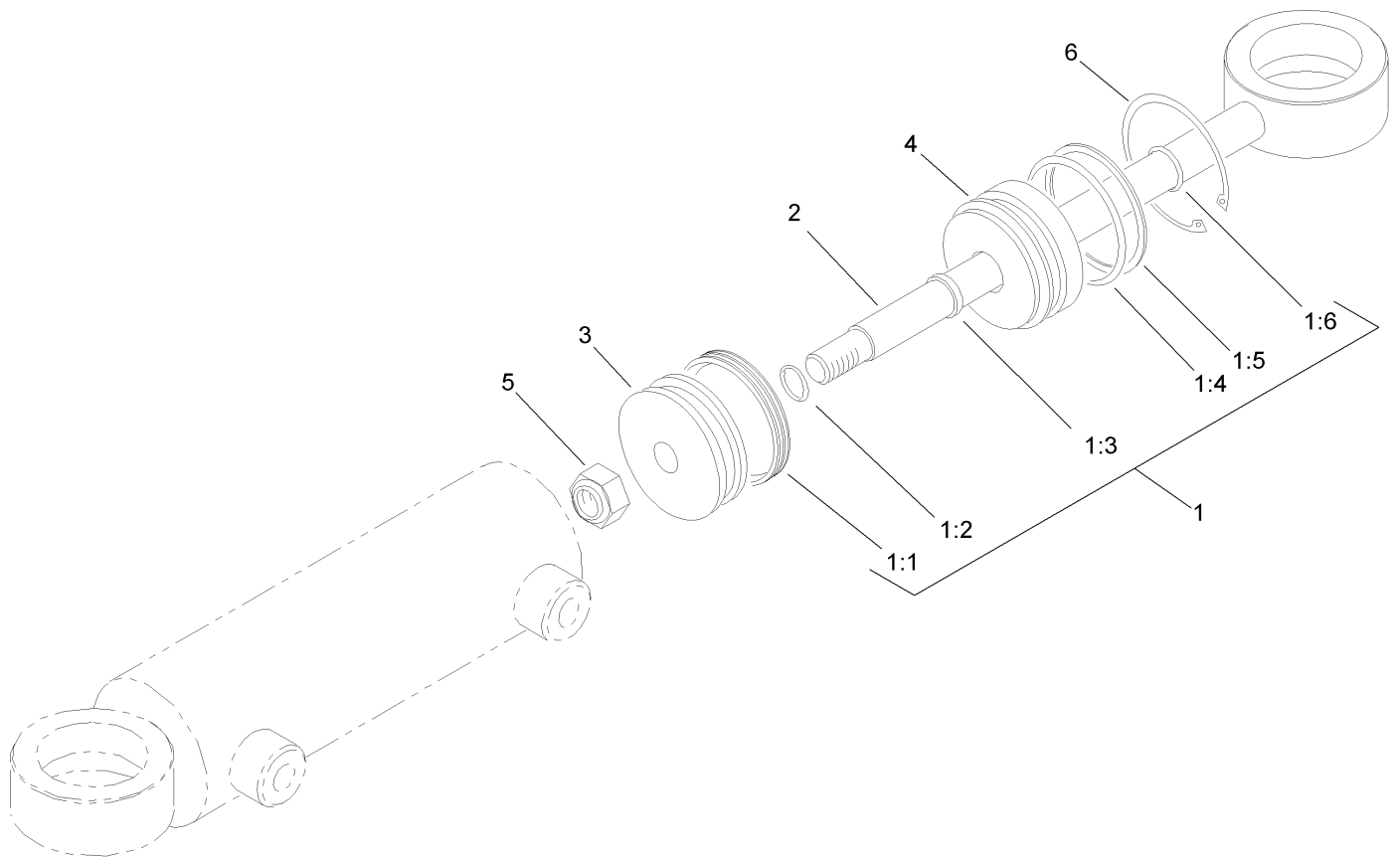
● Not serviced separately



Rear Fork and Tire Assembly (continued)

| <i>Ref.</i> | <i>Part Number</i> | <i>Qty.</i> | <i>Description</i> | <i>Ref.</i> | <i>Part Number</i> | <i>Qty.</i> | <i>Description</i> |
|-------------|--------------------|-------------|--------------------|-------------|--------------------|-------------|--------------------|
| 27 | 3234-38 | 8 | Screw-HHF | 30 | 3296-29 | 2 | Nut-Lock, NI |
| 29 | 322-13 | 2 | Screw-HH | 99 | 3290-378 | 5 | Tie-Cable |

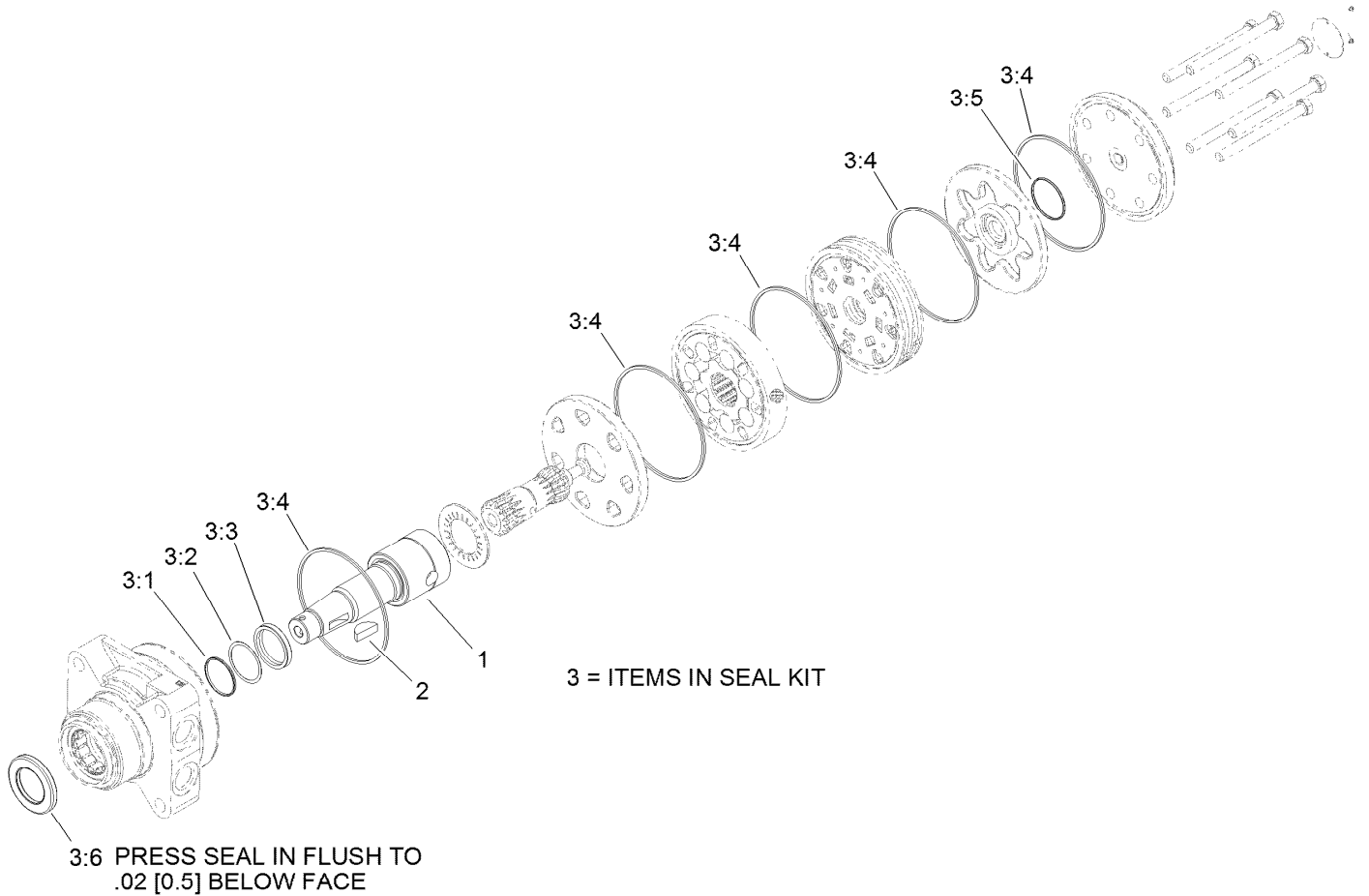
● Not serviced separately



Hydraulic Cylinder Assembly No. 94-8141

| <i>Ref.</i> | <i>Part Number</i> | <i>Qty.</i> | <i>Description</i> |
|-------------|--------------------|-------------|--------------------|
| 1 | 86-5390 | 1 | Seal Kit |
| 1:1 | | 1 | Uniring ● |
| 1:2 | | 1 | O-Ring ● |
| 1:3 | | 1 | Seal-Rod ● |
| 1:4 | | 1 | O-Ring ● |
| 1:5 | | 1 | Ring-Backup ● |
| 1:6 | | 1 | O-Ring ● |
| 2 | | 1 | Rod ● |
| 3 | | 1 | Piston ● |
| 4 | | 1 | Gland ● |
| 5 | | 1 | Nut-Lock ● |
| 6 | | 1 | Ring-Retaining ● |

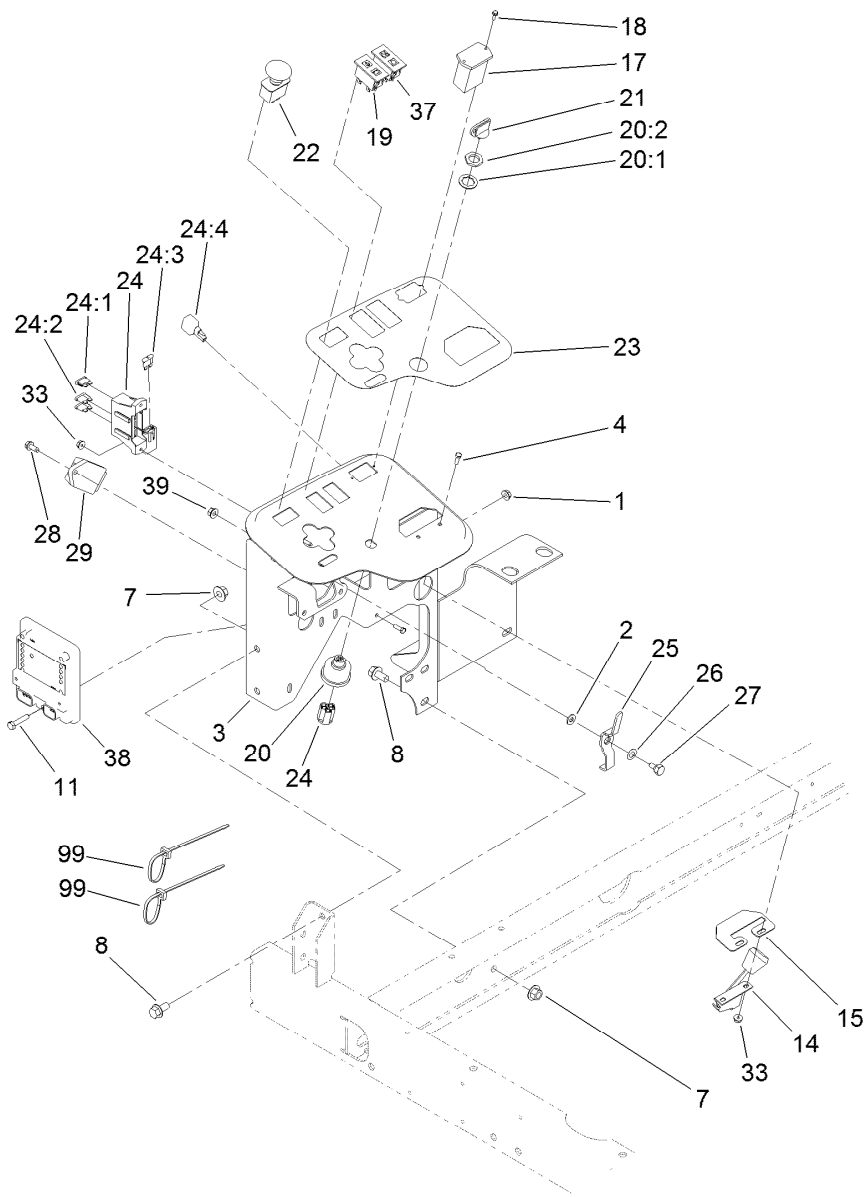
● Not serviced separately



Hydraulic Motor Assembly No. 95-8694

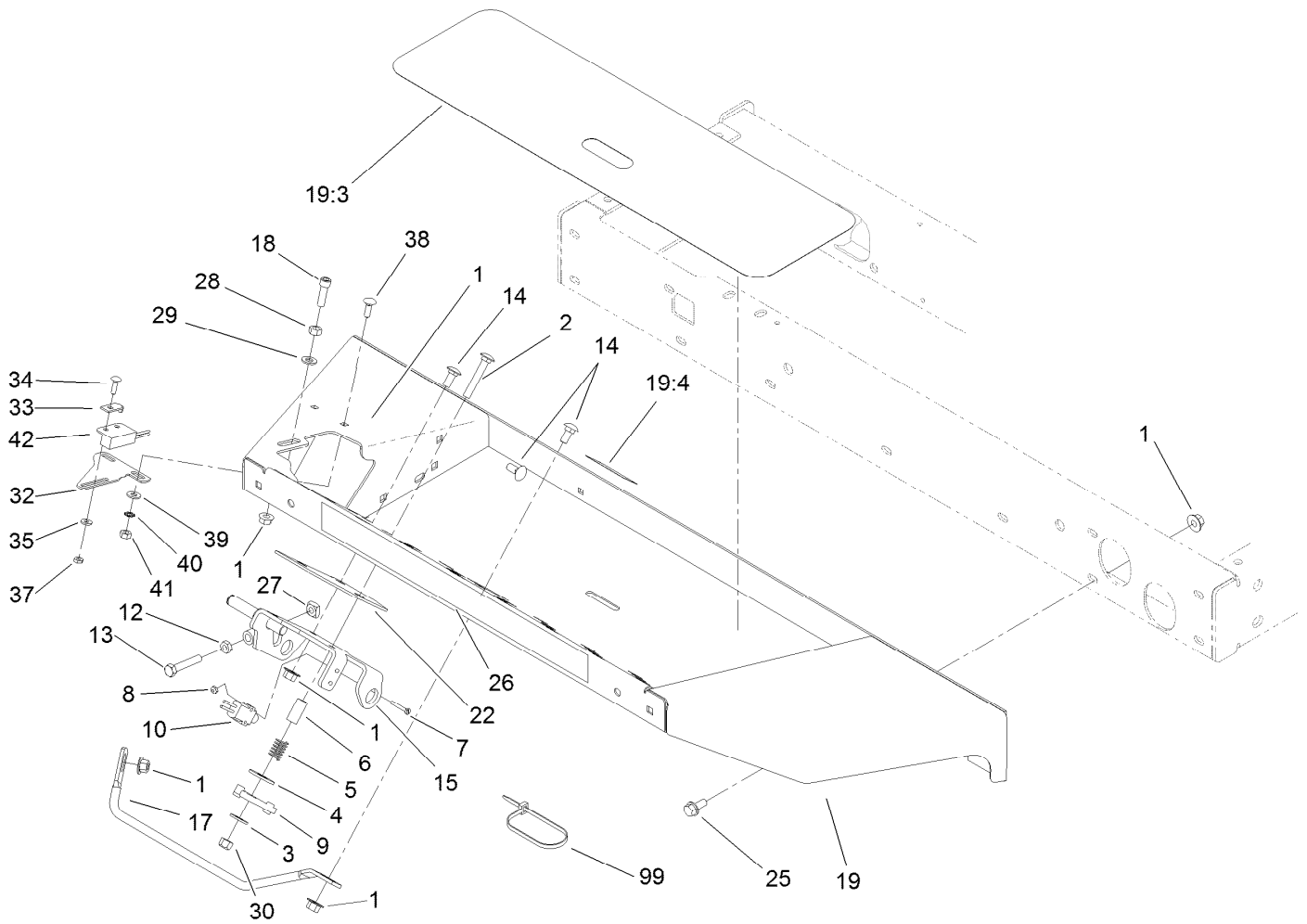
| Ref. | Part Number | Qty. | Description |
|------|-------------|------|-----------------------|
| 1 | 99-3090 | 1 | Shaft-Coupling |
| 2 | 3257-42 | 1 | Key-Woodruff |
| 3 | 100-6131 | 1 | Seal Kit |
| 3:1 | | 1 | Ring-Back Up ● |
| 3:2 | | 1 | Washer-Back Up ● |
| 3:3 | | 1 | Seal-Shaft ● |
| 3:4 | | 5 | Seal-Ring ● |
| 3:5 | | 1 | Seal-Commutator ● |
| 3:6 | | 1 | Seal-Dirt And Water ● |

● Not serviced separately



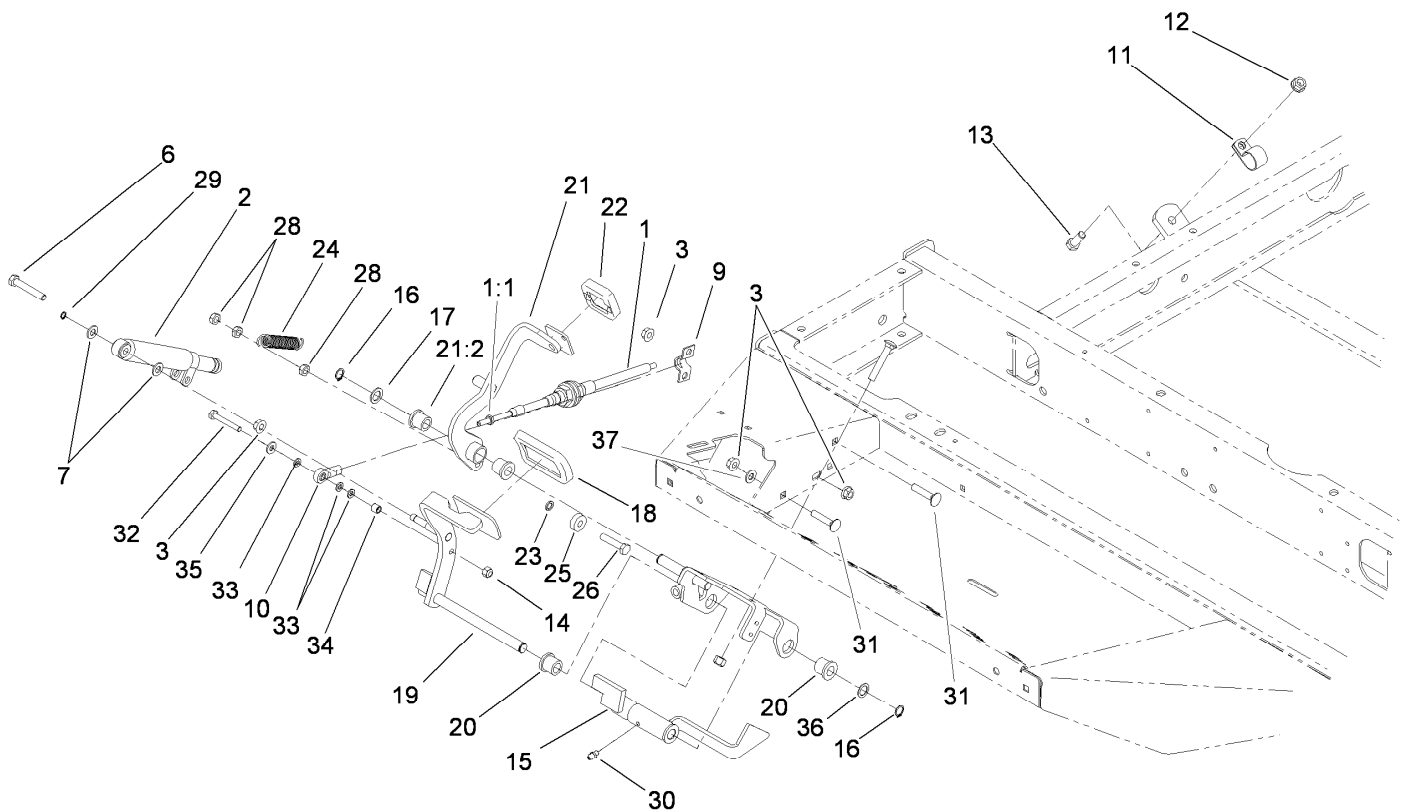
Control Panel Assembly

| <i>Ref.</i> | <i>Part Number</i> | <i>Qty.</i> | <i>Description</i> | <i>Ref.</i> | <i>Part Number</i> | <i>Qty.</i> | <i>Description</i> |
|-------------|--------------------|-------------|----------------------|-------------|--------------------|-------------|--------------------------|
| 1 | 32128-33 | 3 | Nut-HF | 23 | 121-3620 | 1 | Decal-Console |
| 2 | 3256-22 | 1 | Washer-Flat | 24 | 122-0258 | 1 | Harness-Wire |
| 3 | 115-3496-03 | 1 | Panel-Control | 24:1 | 218-578 | 1 | Fuse-Blade, 10 Amp |
| 4 | 3290-134 | 4 | Screw | 24:2 | 109355 | 1 | Fuse-Blade, 15 Amp |
| 7 | 32128-43 | 5 | Nut-Flange | 24:3 | 94-6710 | 1 | Fuse-2 Amp |
| 8 | 3234-1 | 5 | Screw-HHF | 24:4 | 100-4918 | 1 | Diode |
| 11 | 321-8 | 3 | Screw-HH | 25 | 99-3401 | 1 | Lever-Lock |
| 14 | 138-1224 | 1 | Cable-Throttle | 26 | 3290-477 | 1 | Washer-Curved |
| 15 | 104-0421 | 1 | Plate-Stop, Throttle | 27 | 63-3410 | 1 | Screw-Shoulder |
| 17 | 75-6820 | 1 | Hourmeter | 28 | 32144-10 | 1 | Screw-HWH |
| 18 | 32144-18 | 2 | Screw-HWH | 29 | 98-7611 | 1 | Controller-Glow |
| 19 | 100-8070 | 1 | Lamp-Warning | 33 | 3290-148 | 4 | Nut-HF |
| 20 | 104-2541 | 1 | Ignition Switch ASM | 37 | 100-8071 | 1 | Lamp-Warning |
| 20:1 | 218-461 | 1 | Nut-HH | 38 | 106-9277 | 1 | Module-Control, Standard |
| 20:2 | 3254-5 | 1 | Washer-Lock | 39 | 32128-32 | 1 | Nut-HHF |
| 21 | 63-8360 | 1 | Key-Ignition | 99 | 3290-378 | 3 | Tie-Cable |
| 22 | 93-9999 | 1 | Switch-PTO | 99 | 3290-379 | 4 | Tie-Cable |



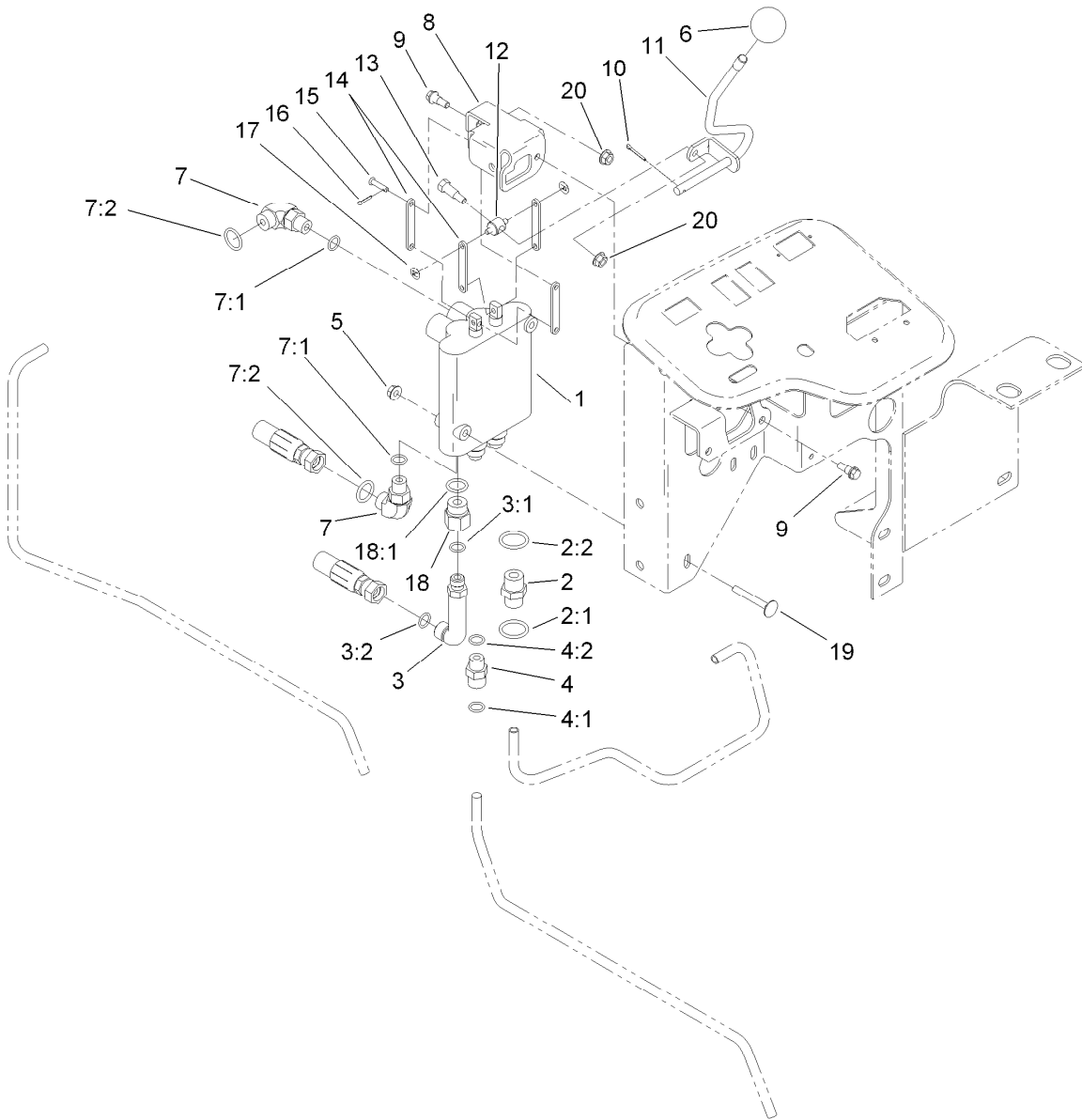
Front Platform Assembly

| Ref. | Part Number | Qty. | Description | Ref. | Part Number | Qty. | Description |
|------|-------------|------|-------------------------|------|-------------|------|-------------------------|
| 1 | 32128-20 | 18 | Nut-HF | 22 | 106-2661-01 | 1 | Plate-Support |
| 2 | 3230-6 | 1 | Bolt-CARR | 25 | 3234-5 | 10 | Screw-HHF |
| 3 | 3256-3 | 1 | Washer-Flat | 26 | 99-3388 | 1 | Decal |
| 4 | 3256-40 | 1 | Washer-Flat | 27 | 99-3565 | 1 | Nut-Square |
| 5 | 65-9940 | 1 | Spring | 28 | 3217-6 | 1 | Nut-Hex |
| 6 | 95-8866 | 1 | Tube-Arm, Rocker | 29 | 3256-23 | 1 | Washer-Plain |
| 7 | 32105-9 | 2 | Screw-HH | 30 | 3296-29 | 1 | Nut-Lock, NI |
| 8 | 3296-9 | 2 | Nut-Hex | 32 | 100-4871 | 1 | Bracket-Switch, Neutral |
| 9 | 99-3593 | 1 | Arm-Rocker | 33 | 100-4872 | 1 | Plate-Switch, Neutral |
| 10 | 95-8900 | 1 | Switch | 34 | 3229-20 | 1 | Screw-CARR |
| 11 | 3218-2 | 1 | Nut-Hex Jam | 35 | 3256-14 | 1 | Washer-Flat |
| 12 | 322-41 | 1 | Bolt-Hex, TAP | 37 | 3296-2 | 1 | Nut-Lock, NI |
| 13 | 322-41 | 1 | Bolt-Hex, TAP | 38 | 3229-1 | 2 | Screw-CARR |
| 14 | 3230-23 | 7 | Bolt-CARR | 39 | 3256-22 | 2 | Washer-Flat |
| 15 | 95-8869-03 | 1 | Bracket-Pedal, Traction | 40 | 3255-7 | 2 | Washer-Lock/EXT |
| 17 | 95-8893 | 1 | Bar-Deflector | 41 | 3217-5 | 2 | Nut-Hex |
| 18 | 3274-22 | 1 | Screw-HSH | 42 | 100-1270 | 1 | Switch-Proximity |
| 19 | 106-4154 | 1 | Floorplate ASM | 99 | 3290-379 | 2 | Tie-Cable |
| 19:3 | 99-3478 | 1 | Tread-Foot | | | | |
| 19:4 | 99-3444 | 1 | Decal-Mow / Transport | | | | |



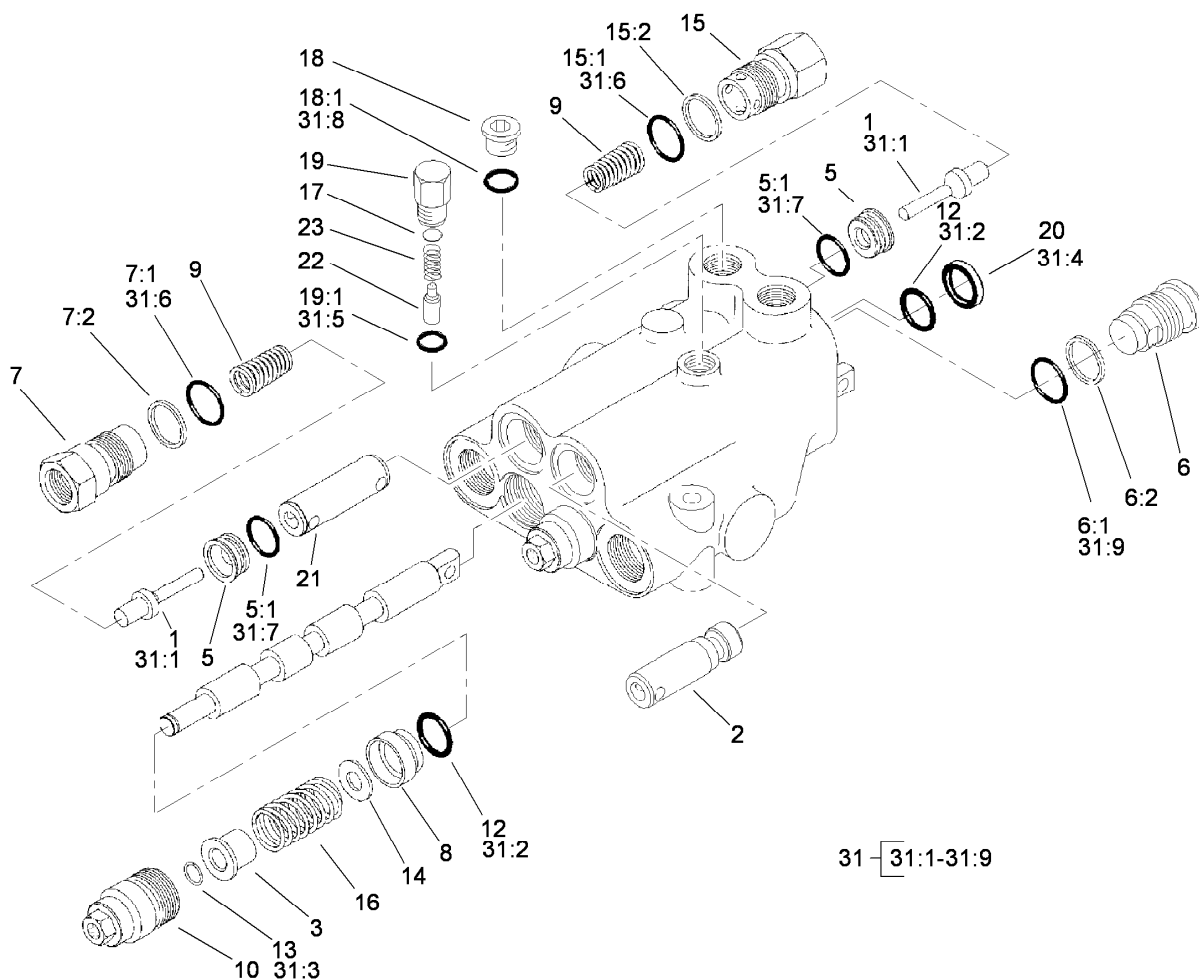
Traction Pedal Assembly

| <i>Ref.</i> | <i>Part Number</i> | <i>Qty.</i> | <i>Description</i> | <i>Ref.</i> | <i>Part Number</i> | <i>Qty.</i> | <i>Description</i> |
|-------------|--------------------|-------------|-------------------------|-------------|--------------------|-------------|--------------------|
| 1 | 100-4815 | 1 | Cable-Control, Traction | 21 | 99-3379 | 1 | Pedal-Reverse ASM |
| 1:1 | 3220-1 | 2 | Nut-Jam | 21:2 | 256-243 | 2 | Bearing-Flange |
| 2 | 76-8870 | 1 | Damper-Lever | 22 | 74-9110 | 1 | Pad-Pedal, Reverse |
| 3 | 32128-20 | 5 | Nut-HF | 23 | 75-5470 | 1 | Spacer-Bearing |
| 6 | 322-10 | 1 | Screw-HH | 24 | 99-3476 | 1 | Spring-Extension |
| 7 | 3256-23 | 2 | Washer-Plain | 25 | 251-259 | 1 | Bearing-Ball |
| 9 | 93-2092 | 1 | Clamp-Cable | 26 | 322-7 | 1 | Screw-HH |
| 10 | 2411-41 | 1 | Rod End-Ball Joint | 28 | 3296-47 | 3 | Nut-Lock,NI |
| 11 | 2412-41 | 1 | Clamp-R | 29 | 32151-3 | 1 | Ring-Grip |
| 12 | 3290-357 | 1 | Nut-HSF | 30 | 302-5 | 1 | Fitting-Grease |
| 13 | 323-6 | 1 | Screw-HH | 31 | 3230-27 | 1 | Screw-CARR |
| 14 | 3296-42 | 1 | Nut-Lock, NI | 32 | 321-10 | 1 | Screw-HH |
| 15 | 95-8861 | 1 | Slide | 33 | 33093-00 | 3 | Washer-Flat |
| 16 | 32151-84 | 2 | Ring-Shaft, EXT | 34 | 99-3545 | 1 | Spacer |
| 17 | 41-8440 | 1 | Washer | 35 | 3256-22 | 1 | Washer-Flat |
| 18 | 74-9100 | 1 | Pad-Pedal, Forward | 36 | 73-0040 | 4 | Washer-Thrust |
| 19 | 104-4852-03 | 1 | Pedal-Traction | 37 | 3256-24 | 1 | Washer-Plain |
| 20 | 256-243 | 2 | Bearing-Flange | | | | |



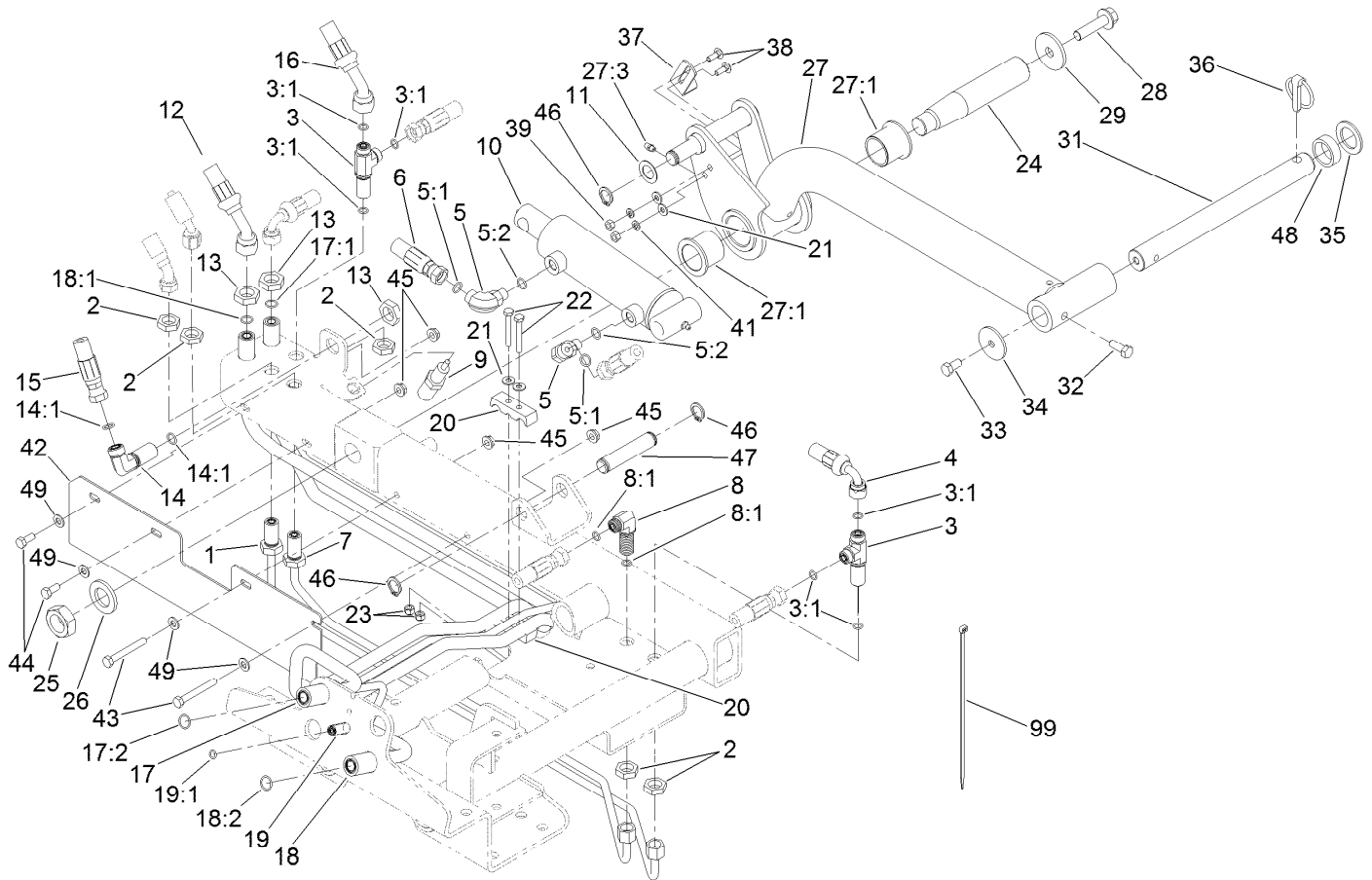
Control Valve Installation Assembly

| Ref. | Part Number | Qty. | Description | Ref. | Part Number | Qty. | Description |
|------|-------------|------|---------------------------|------|-------------|------|--------------------------|
| 1 | 95-8581 | 1 | 2-Spool Control Valve ASM | 8 | 95-8633 | 1 | Bracket-Valve, Actuator |
| 2 | 340-3 | 1 | Fitting-Straight | 9 | 42-3560 | 2 | Bolt-Shoulder |
| 2:1 | 237-22 | 1 | O-Ring | 10 | 3272-6 | 1 | Pin-Cotter |
| 2:2 | 237-79 | 1 | O-Ring | 11 | 95-8635 | 1 | Lever-Valve |
| 3 | 69-4320 | 1 | Fitting-HYD, 90 DEG | 12 | 95-8638 | 1 | Trunnion-Valve, Actuator |
| 3:1 | 237-22 | 1 | O-Ring | 13 | 92-8916 | 1 | Bolt-Shoulder |
| 3:2 | 237-42 | 1 | O-Ring | 14 | 95-8634 | 4 | Link |
| 4 | 340-2 | 1 | Fitting-Straight | 15 | 283-16 | 3 | Pin-Clevis |
| 4:1 | 237-22 | 1 | O-Ring | 16 | 3272-1 | 3 | Pin-Cotter |
| 4:2 | 237-42 | 1 | O-Ring | 17 | 32151-106 | 2 | Ring-Retaining |
| 5 | 32128-33 | 2 | Nut-HF | 18 | 353-397 | 1 | Reducer-Adapter |
| 6 | 233-42 | 1 | Knob | 18:1 | 237-79 | 1 | O-Ring |
| 7 | 340-77 | 2 | Fitting-Elbow, 90 DEG | 19 | 3230-33 | 2 | Screw-CARR |
| 7:1 | 237-22 | 1 | O-Ring | 20 | 32128-32 | 3 | Nut-HHF |
| 7:2 | 237-42 | 1 | O-Ring | | | | |



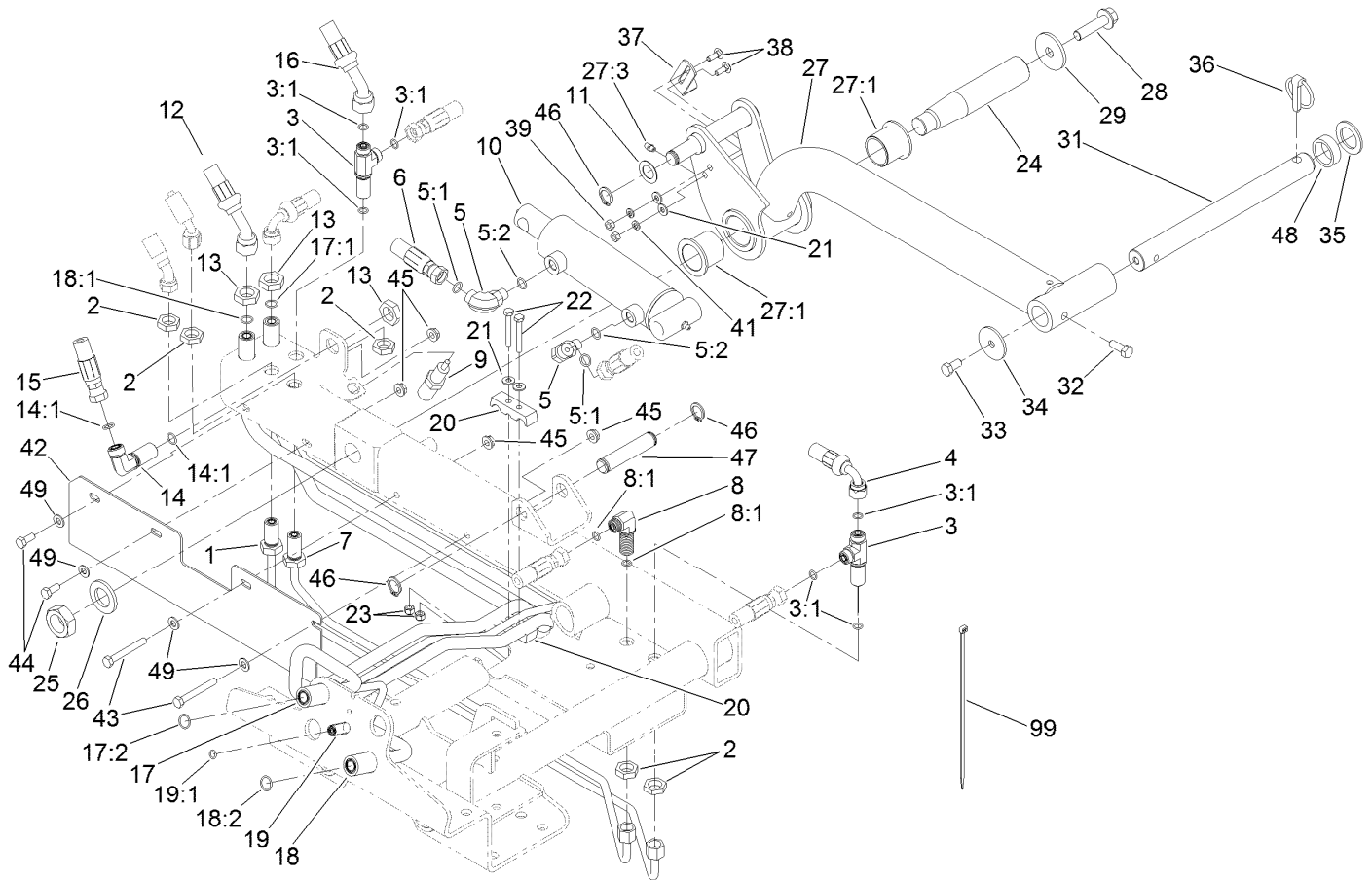
Valve Assembly No. 95-8581

| Ref. | Part Number | Qty. | Description | Ref. | Part Number | Qty. | Description |
|------|-------------|------|----------------|------|-------------|------|------------------|
| 1 | 58-6290 | 3 | Poppet | 16 | 99-3531 | 2 | Spring |
| 2 | 69-1840 | 1 | Plunger | 17 | 60-6450 | 1 | Disc |
| 3 | 58-6310 | 2 | Spacer | 18 | 353-989 | 1 | Plug-Hex, Hollow |
| 5 | 58-6330 | 3 | Seat | 18:1 | 237-42 | 1 | O-Ring |
| 5:1 | 58-6340 | 1 | O-Ring | 19 | 58-6780 | 1 | Plug |
| 6 | 58-6350 | 1 | Plug | 19:1 | 58-6790 | 1 | O-Ring |
| 6:1 | 60-5720 | 1 | O-Ring | 20 | 58-6320 | 2 | Wiper |
| 6:2 | 58-6370 | 1 | Washer | 21 | 99-3528 | 1 | Plunger |
| 7 | 69-1800 | 2 | Plug ASM | 22 | 58-6770 | 1 | Plunger |
| 7:1 | 60-5720 | 1 | O-Ring | 23 | 58-6760 | 1 | Spring |
| 7:2 | 58-6370 | 1 | Washer | 31 | 99-3530 | 1 | Seal Kit |
| 8 | 58-6400 | 2 | Bushing | 31:1 | 58-6290 | 3 | Poppet |
| 9 | 69-1810 | 3 | Spring | 31:2 | 58-6450 | 4 | O-Ring |
| 10 | 58-6420 | 2 | Cap | 31:3 | 58-6460 | 2 | Ring-Retaining |
| 12 | 58-6450 | 4 | O-Ring | 31:4 | 58-6320 | 2 | Wiper |
| 13 | 58-6460 | 2 | Ring-Retaining | 31:5 | 58-6790 | 1 | O-Ring |
| 14 | 65-2770 | 2 | Washer | 31:6 | 60-5720 | 4 | O-Ring |
| 15 | 99-3526 | 1 | Plug ASM | 31:7 | 58-6340 | 2 | O-Ring |
| 15:1 | 60-5720 | 1 | O-Ring | 31:8 | 237-42 | 1 | O-Ring |
| 15:2 | 59-7730 | 1 | Washer-Backup | 31:9 | 59-7730 | 2 | Washer-Backup |



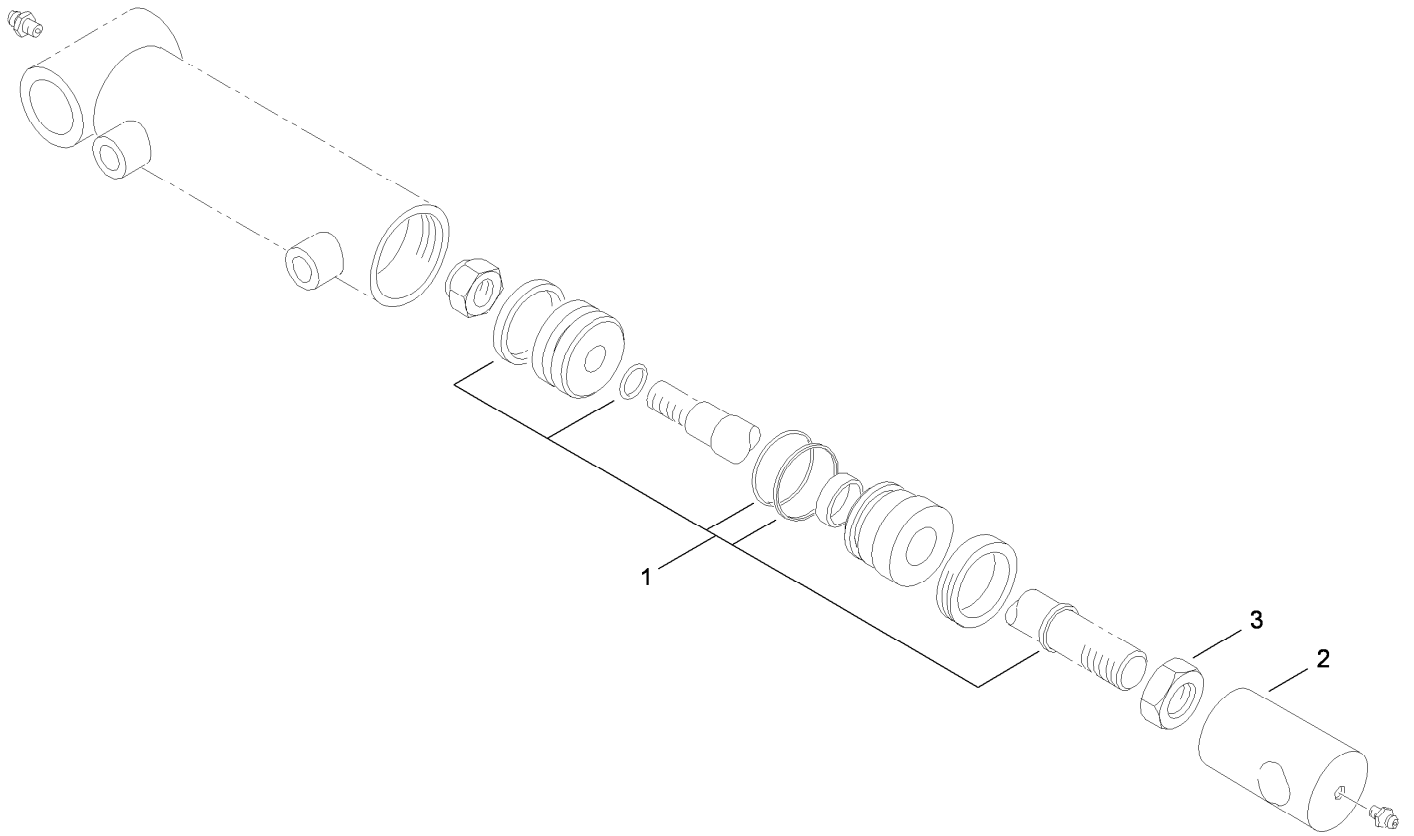
Rear Lift Arm Assembly

| Ref. | Part Number | Qty. | Description | Ref. | Part Number | Qty. | Description |
|------|-------------|------|-----------------------|------|-------------|------|-------------------|
| 1 | 95-8984 | 1 | Tube-HYD | 17 | 95-8980 | 1 | Tube ASM |
| 2 | 340-70 | 5 | Nut-Lock | 17:1 | 237-30 | 1 | O-Ring |
| 3 | 340-68 | 2 | Fitting-Tee, Bulkhead | 17:2 | 237-65 | 1 | O-Ring |
| 3:1 | 237-22 | 3 | O-Ring | 18 | 95-8981 | 1 | Tube ASM |
| 4 | 95-8831 | 1 | Hose-HYD | 18:1 | 237-30 | 1 | O-Ring |
| 5 | 340-77 | 2 | Fitting-Elbow, 90 DEG | 18:2 | 237-65 | 1 | O-Ring |
| 5:1 | 237-22 | 1 | O-Ring | 19 | 95-8982 | 1 | Tube ASM |
| 5:2 | 237-42 | 1 | O-Ring | 19:1 | 237-21 | 1 | O-Ring |
| 6 | 95-8823 | 1 | Hose ASM | 20 | 93-2509 | 2 | Clamp-Tube |
| 7 | 95-8983 | 1 | Tube-HYD | 21 | 3256-22 | 6 | Washer-Flat |
| 8 | 340-154 | 1 | Union-Bulkhead | 22 | 321-11 | 2 | Screw-HH |
| 8:1 | 237-22 | 2 | O-Ring | 23 | 3296-42 | 2 | Nut-Lock, NI |
| 9 | 93-6762 | 1 | Switch-Ball | 24 | 95-8990 | 1 | Shaft-Pivot, Rear |
| 10 | 112-9916 | 1 | HYD Cylinder ASM | 25 | 3220-9 | 1 | Nut-Jam |
| 11 | 3-6498 | 1 | Washer-Thrust | 26 | 86-1480 | 1 | Washer |
| 12 | 95-8820 | 1 | Hose ASM | 27 | 115-3475 | 1 | Rear Liftarm ASM |
| 13 | 340-127 | 3 | Nut-Bulkhead | 27:1 | 69-6470 | 2 | Bushing-Caster |
| 14 | 93-9151 | 1 | Fitting-HYD | 27:3 | 302-5 | 1 | Fitting-Grease |
| 14:1 | 237-30 | 2 | O-Ring | 28 | 3234-27 | 1 | Screw-HHF |
| 15 | 95-8824 | 1 | Hose ASM | 29 | 75-7730 | 1 | Washer-Thrust |
| 16 | 115-3411 | 1 | Hose-HYD | 31 | 104-1392 | 1 | Shaft-Pivot |



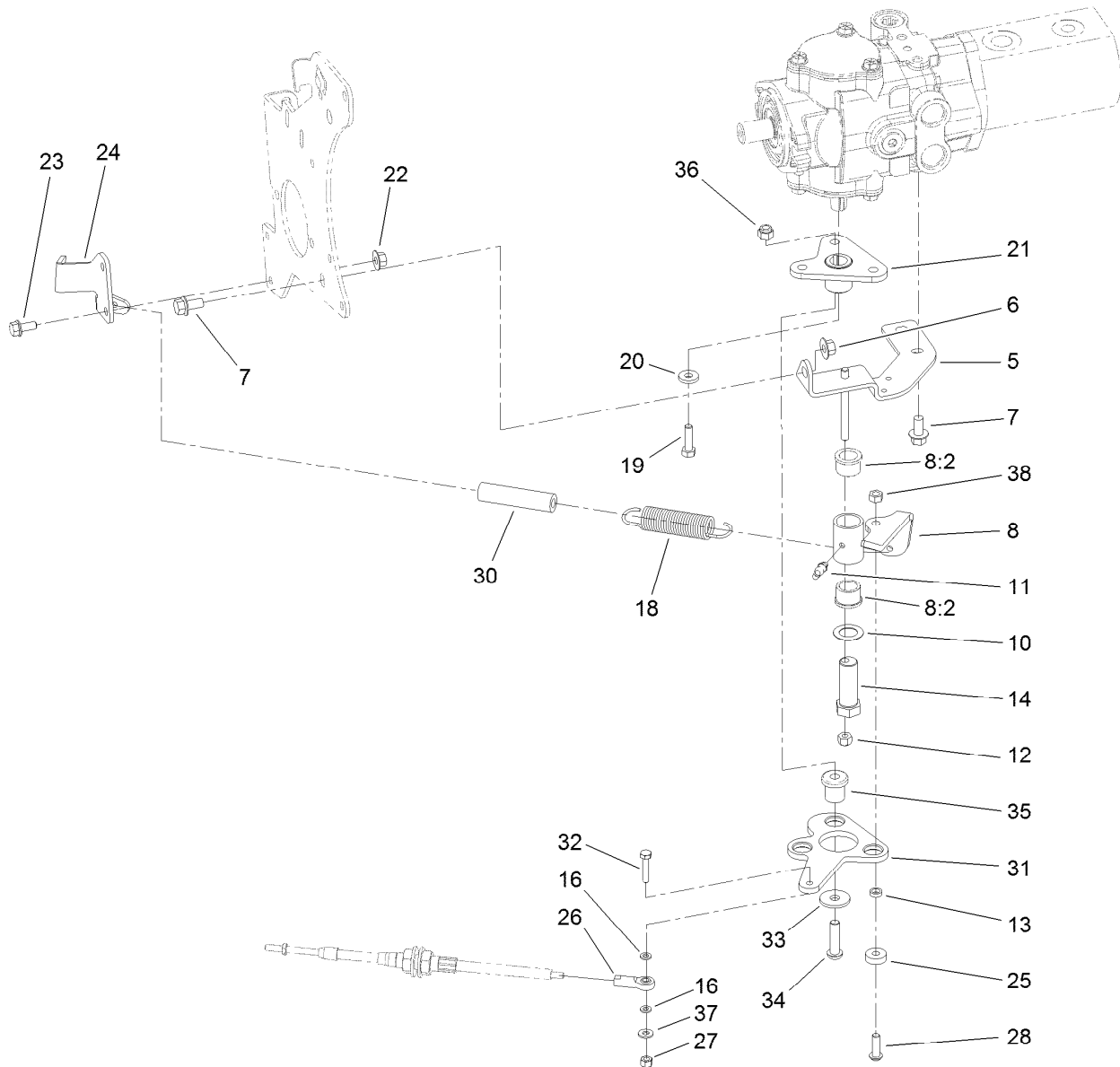
Rear Lift Arm Assembly (continued)

| <i>Ref.</i> | <i>Part Number</i> | <i>Qty.</i> | <i>Description</i> | <i>Ref.</i> | <i>Part Number</i> | <i>Qty.</i> | <i>Description</i> |
|-------------|--------------------|-------------|--------------------|-------------|--------------------|-------------|--------------------|
| 32 | 323-6 | 1 | Screw-HH | 43 | 322-12 | 2 | Screw-HH |
| 33 | 323-4 | 1 | Screw-HH | 44 | 322-3 | 2 | Screw-HH |
| 34 | 63-7400 | 1 | Washer-Rebound | 45 | 32128-20 | 4 | Nut-HF |
| 35 | 3-6781 | 1 | Washer-Flat | 46 | 32120-93 | 3 | Ring-Retaining |
| 36 | 283-71 | 1 | Pin-Lynch | 47 | 95-8575 | 1 | Pin-Clevis |
| 37 | 95-8613 | 1 | Bracket-Switch | 48 | 63-0070 | 1 | Spacer |
| 38 | 3229-1 | 2 | Screw-CARR | 49 | 3256-23 | 4 | Washer-Plain |
| 39 | 3217-5 | 2 | Nut-Hex | 99 | 3290-379 | 1 | Tie-Cable |
| 41 | 3253-3 | 2 | Washer-Lock | 99 | 3334-945 | 1 | Tie-Cable |
| 42 | 121-3616-03 | 1 | Guard | | | | |



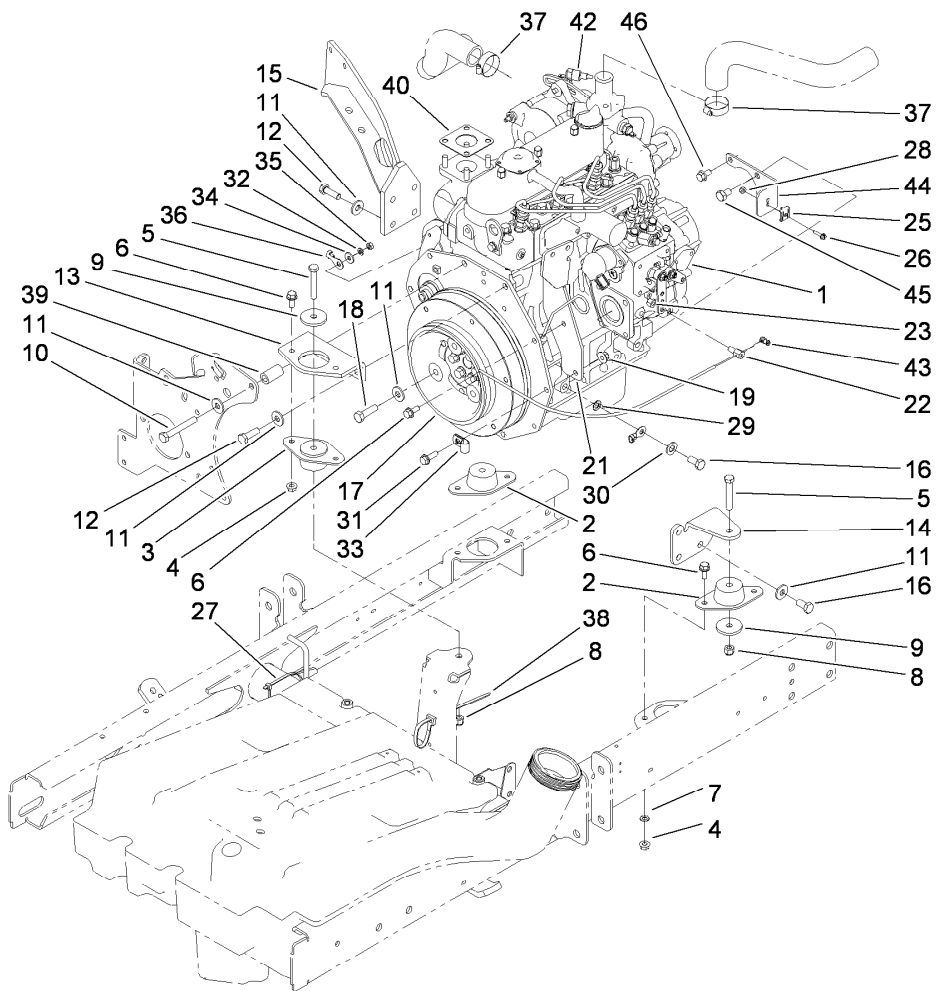
Hydraulic Cylinder Assembly No. 112-9916

| <i>Ref.</i> | <i>Part Number</i> | <i>Qty.</i> | <i>Description</i> |
|-------------|--------------------|-------------|--------------------|
| 1 | 115-3410 | 1 | Seal Kit |
| 2 | 108-9035 | 1 | Clevis |
| 3 | 3220-7 | 1 | Nut-Jam |



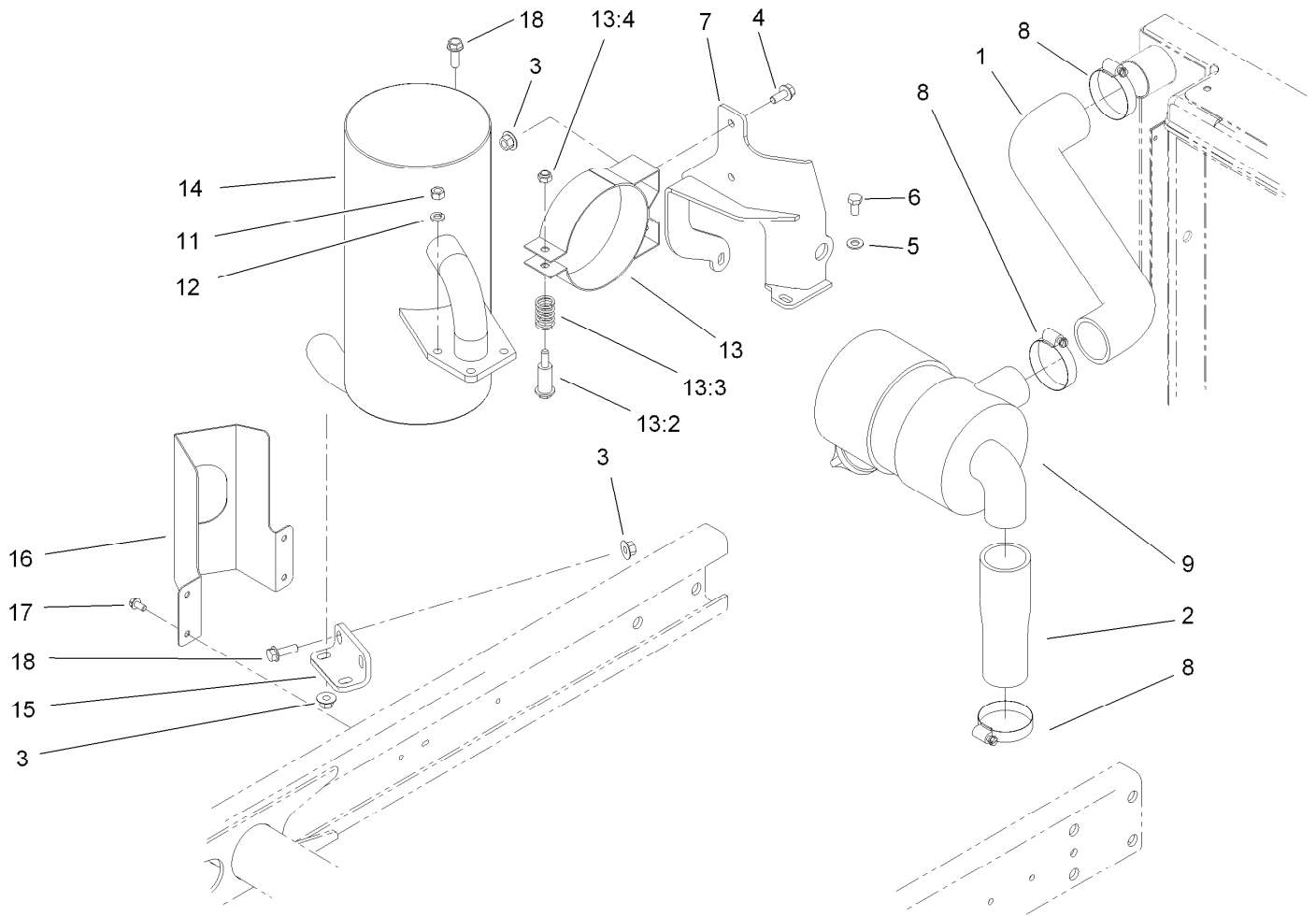
Neutral Arm Assembly

| Ref. | Part Number | Qty. | Description | Ref. | Part Number | Qty. | Description |
|------|-------------|------|------------------|------|-------------|------|------------------------|
| 5 | 95-8960-03 | 1 | Bracket-Neutral | 23 | 3234-5 | 2 | Screw-HHF |
| 6 | 32128-43 | 1 | Nut-Flange | 24 | 104-0464-03 | 1 | Bracket-Support, Cable |
| 7 | 3234-1 | 3 | Screw-HHF | 25 | 251-259 | 1 | Bearing-Ball |
| 8 | 104-0422 | 1 | Neutral Arm ASM | 26 | 2411-41 | 1 | Rod End-Ball Joint |
| 8:2 | 256-113 | 2 | Bushing-Flange | 27 | 3296-42 | 1 | Nut-Lock, NI |
| 10 | 3-6498 | 1 | Washer-Thrust | 28 | 3274-104 | 1 | Screw-HSBH |
| 11 | 302-60 | 1 | Fitting-Grease | 30 | 99-3556 | 1 | Hose |
| 12 | 3296-29 | 1 | Nut-Lock, NI | 31 | 99-3594-03 | 1 | Lever-Pump |
| 13 | 100-4817 | 1 | Spacer | 32 | 321-8 | 1 | Screw-HH |
| 14 | 76-8640 | 1 | Stud-Traction | 33 | 2844 | 3 | Washer |
| 16 | 33093-00 | 2 | Washer-Flat | 34 | 95-3857 | 3 | Screw-HSBH |
| 18 | 94-1369 | 1 | Spring-Extension | 35 | 63-9750 | 3 | Mount |
| 19 | 3210-6 | 1 | Screw-HH | 36 | 3296-39 | 3 | Nut-Lock, NI |
| 20 | 88-7200 | 1 | Washer-Flat | 37 | 3256-22 | 1 | Washer-Flat |
| 21 | 120-5566 | 1 | Hub | 38 | 32153-3 | 1 | Nut-Hex, Side Deform |
| 22 | 32128-44 | 2 | Nut | | | | |



Engine Assembly

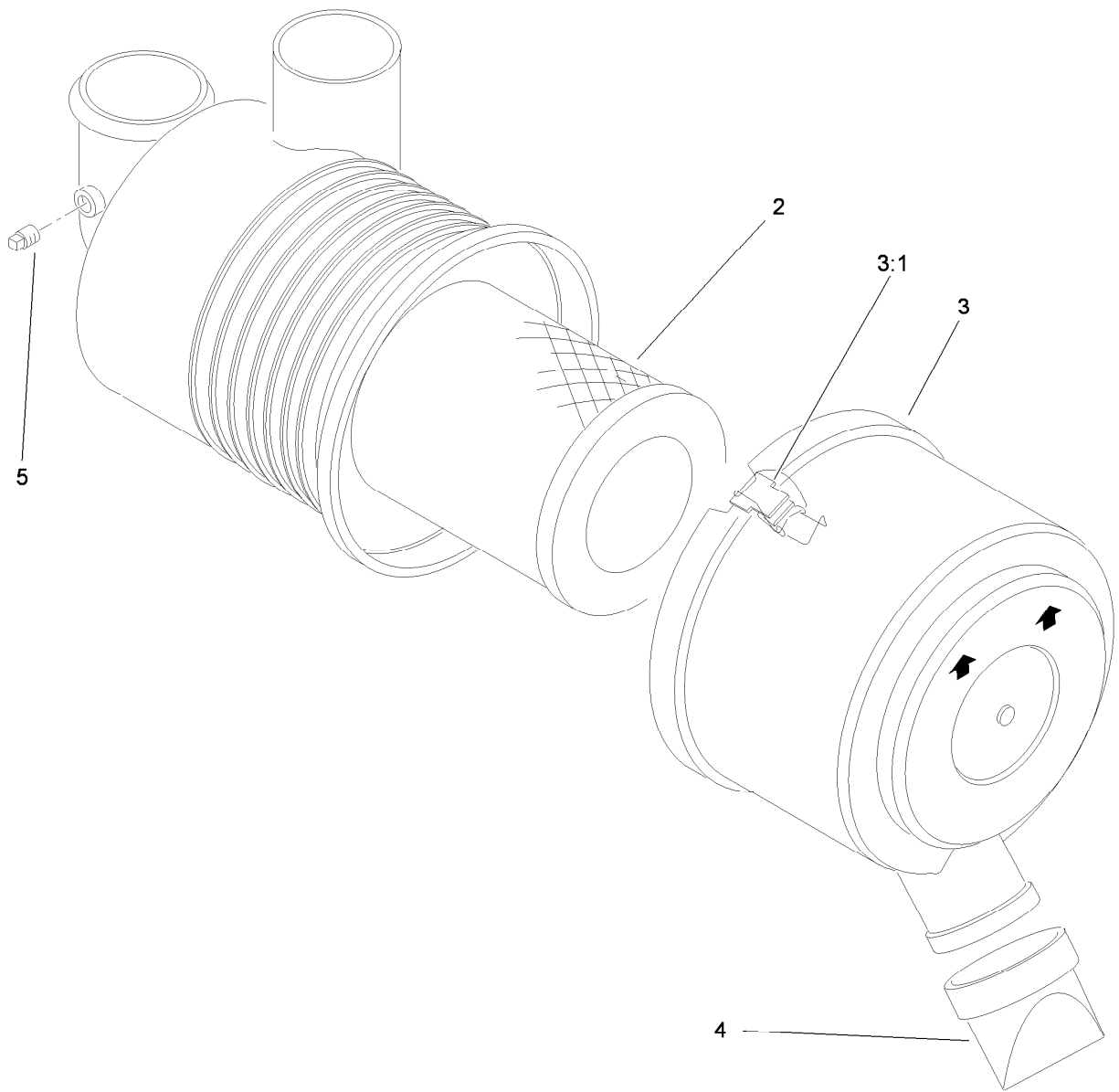
| <i>Ref.</i> | <i>Part Number</i> | <i>Qty.</i> | <i>Description</i> | <i>Ref.</i> | <i>Part Number</i> | <i>Qty.</i> | <i>Description</i> |
|-------------|--------------------|-------------|----------------------------|-------------|--------------------|-------------|----------------------------|
| 1 | 132-5235 | 1 | Engine-Kubota, D1105 | 25 | 81-1690 | 1 | Clamp-Cable |
| 2 | 121-9076 | 2 | Mount-Engine | 26 | 32105-13 | 1 | Screw-HWH |
| 3 | 93-5265 | 1 | Mount-Engine | 27 | 3290-379 | 2 | Tie-Cable |
| 4 | 32128-20 | 6 | Nut-HF | 28 | 3296-2 | 1 | Nut-Lock, NI |
| 5 | 323-11 | 3 | Screw-HH | 29 | 3255-9 | 1 | Washer-Lock |
| 6 | 3234-5 | 6 | Screw-HHF | 30 | 3256-25 | 1 | Washer-Flat |
| 7 | 3255-8 | 1 | Washer-Lock | 31 | 3234-17 | 2 | Screw-HHF |
| 8 | 3296-39 | 3 | Nut-Lock, NI | 32 | 3256-78 | 1 | Washer-Flat |
| 9 | 80-8560 | 3 | Washer-Hardened | 33 | 2412-10 | 1 | Clamp-R |
| 10 | 42-9370 | 1 | Screw-HH | 34 | 43-5930 | 1 | Washer-Lock, Spring |
| 11 | 80-6990 | 12 | Washer-Hardened | 35 | 48-7890 | 1 | Nut-Hex |
| 12 | 95-8812 | 5 | Screw-HH | 36 | 99-3441 | 1 | Harness-Wire, Fusible Link |
| 13 | 95-8926-03 | 1 | Mount-Engine, Front | 37 | 2412-34 | 2 | Clamp-Hose |
| 14 | 95-8937-03 | 1 | Mount-Engine, LH | 38 | 3290-378 | 1 | Tie-Cable |
| 15 | 100-4838-03 | 1 | Mount-Engine | 39 | 95-8736 | 1 | Spacer |
| 16 | 63-7790 | 4 | Screw-Cap | 40 | 98-9611 | 1 | Gasket |
| 17 | 99-3412-03 | 1 | Pulley | 42 | 99-3582 | 1 | Thermoswitch |
| 18 | 56-2140 | 3 | Screw-HH | 43 | 112-9919 | 1 | Stop-Cable, Throttle |
| 19 | 32128-44 | 2 | Nut | 44 | 110-9009-03 | 1 | Bracket-Cable, Throttle |
| 21 | 115-3487-03 | 1 | Bracket-Mount, Fuel Filter | 45 | 70-8470 | 1 | Screw-HH |
| 22 | 98-9311 | 1 | Swivel-Throttle | 46 | 33104-016 | 1 | Screw-HHF |
| 23 | 3296-20 | 1 | Nut-Lock, NI | | | | |



Air Cleaner and Muffler Assembly

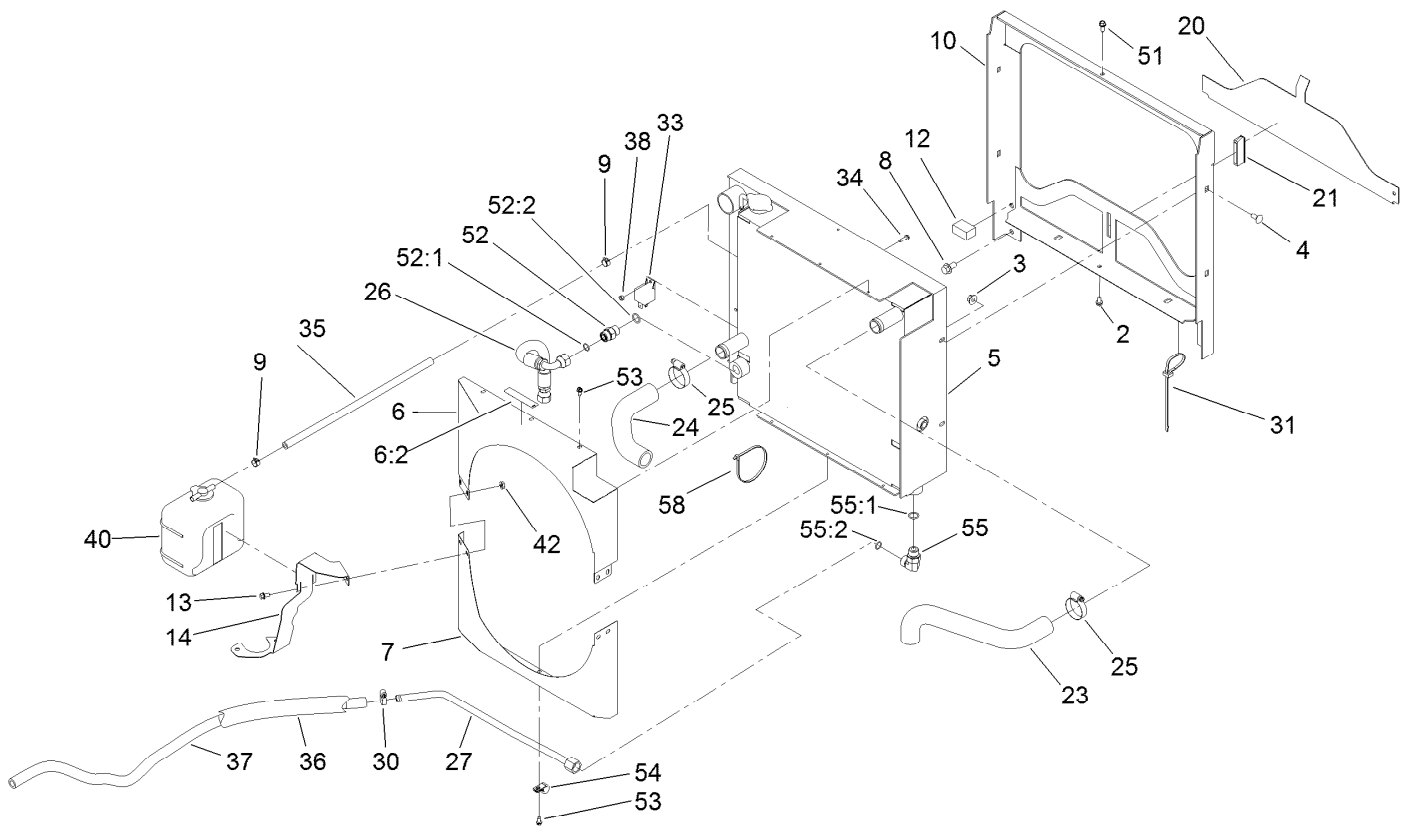
| <i>Ref.</i> | <i>Part Number</i> | <i>Qty.</i> | <i>Description</i> |
|-------------|--------------------|-------------|-----------------------|
| 1 | 95-8946 | 1 | Hose-Upper, Air Inlet |
| 2 | 95-8947 | 1 | Hose-Air Inlet, Lower |
| 3 | 32128-44 | 6 | Nut |
| 4 | 3234-5 | 3 | Screw-HHF |
| 5 | 3256-23 | 2 | Washer-Plain |
| 6 | 33114-016 | 2 | Screw-HH |
| 7 | 99-3355-03 | 1 | Bracket-Filter, Air |
| 8 | 2412-92 | 4 | Clamp-Hose |
| 9 | 93-2190 | 1 | Air Cleaner ASM |
| 11 | 33014-00 | 4 | Nut-Hex |
| 12 | 3253-4 | 4 | Washer-Lock |

| <i>Ref.</i> | <i>Part Number</i> | <i>Qty.</i> | <i>Description</i> |
|-------------|--------------------|-------------|-------------------------------|
| 13 | 93-2191 | 1 | Air Cleaner Mounting Band ASM |
| 13:2 | 94-3653 | 1 | Bolt |
| 13:3 | 94-3654 | 1 | Spring |
| 13:4 | 48-9510 | 1 | *obs* Nut |
| 14 | 104-4834 | 1 | Muffler |
| 15 | 95-8943-03 | 1 | Bracket-Muffler |
| 16 | 99-3425-03 | 1 | Guard-Exhaust |
| 17 | 32144-4 | 4 | Screw-HWH |
| 18 | 3234-17 | 3 | Screw-HHF |



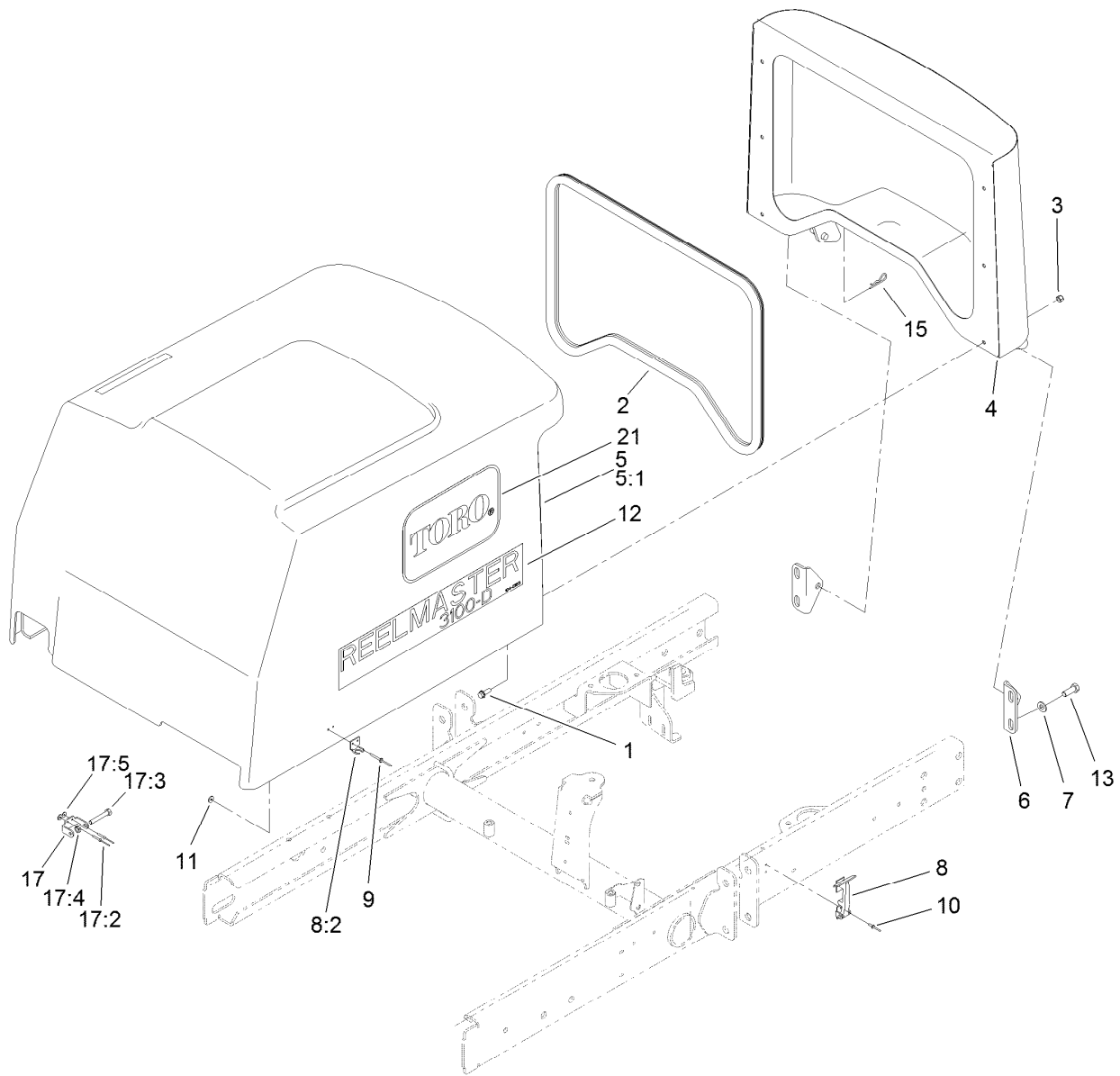
Air Cleaner Assembly No. 93-2190

| <i>Ref.</i> | <i>Part Number</i> | <i>Qty.</i> | <i>Description</i> |
|-------------|--------------------|-------------|--------------------|
| 2 | 108-3811 | 1 | Filter-Air |
| 3 | 94-3652 | 1 | Cover ASM |
| 3:1 | 1-643283 | 2 | Latch-Cleaner, Air |
| 4 | 87-9400 | 1 | Valve-Vacuator |
| 5 | 285-17 | 1 | Plug-Pipe |



Radiator Assembly

| <i>Ref.</i> | <i>Part Number</i> | <i>Qty.</i> | <i>Description</i> | <i>Ref.</i> | <i>Part Number</i> | <i>Qty.</i> | <i>Description</i> |
|-------------|--------------------|-------------|-----------------------------|-------------|--------------------|-------------|-----------------------|
| 2 | 32104-116 | 6 | Screw-HWHTF | 30 | 2412-36 | 1 | Clamp-Hose |
| 3 | 32128-44 | 4 | Nut | 31 | 3290-378 | 2 | Tie-Cable |
| 4 | 3230-1 | 4 | Bolt-CARR | 33 | 99-7435 | 1 | Relay |
| 5 | 120-3392 | 1 | Radiator/Oil Cooler | 34 | 32105-13 | 1 | Screw-HWH |
| 6 | 121-3584 | 1 | Shroud-Fan, Top | 35 | 110-4105 | 1 | Hose-Fuel |
| 6:2 | 93-6681 | 1 | Decal-Warning, Fan | 36 | 56-7985 | 1 | Sleeve-Protective |
| 7 | 121-6254-03 | 1 | Shroud-Fan, Bottom | 37 | 93-6804 | 1 | Hose |
| 8 | 3234-1 | 4 | Screw-HHF | 38 | 3296-2 | 1 | Nut-Lock, NI |
| 9 | 92-2379 | 2 | Clamp-Hose | 40 | 104-9318 | 1 | Bottle-Overflow |
| 10 | 100-4903-03 | 1 | Frame-Radiator | 42 | 32128-33 | 4 | Nut-HF |
| 12 | 95-8962 | 2 | Seal-Foam, Radiator | 51 | 119-2038 | 1 | Screw-HWH |
| 13 | 3234-13 | 4 | Screw-HHF | 52 | 340-4 | 1 | Fitting-Straight |
| 14 | 121-3604-03 | 1 | Bracket-Mounting, Reservoir | 52:1 | 237-30 | 1 | O-Ring |
| 20 | 95-8702-03 | 1 | Shield-Radiator, Lower | 52:2 | 237-79 | 1 | O-Ring |
| 21 | 99-3497 | 1 | Magnet | 53 | 32104-95 | 6 | Screw-HWH |
| 23 | 121-3571 | 1 | Hose-Radiator, Upper | 54 | 2412-73 | 2 | Clamp-R |
| 24 | 119-6748 | 1 | Hose-Radiator, Lower | 55 | 340-98 | 1 | Fitting-Elbow, 90 DEG |
| 25 | 2412-34 | 2 | Clamp-Hose | 55:1 | 237-79 | 1 | O-Ring |
| 26 | 104-2806 | 1 | Hose-HYD | 55:2 | 237-30 | 1 | O-Ring |
| 27 | 121-3572 | 1 | Tube-HYD | 58 | 3290-379 | 1 | Tie-Cable |

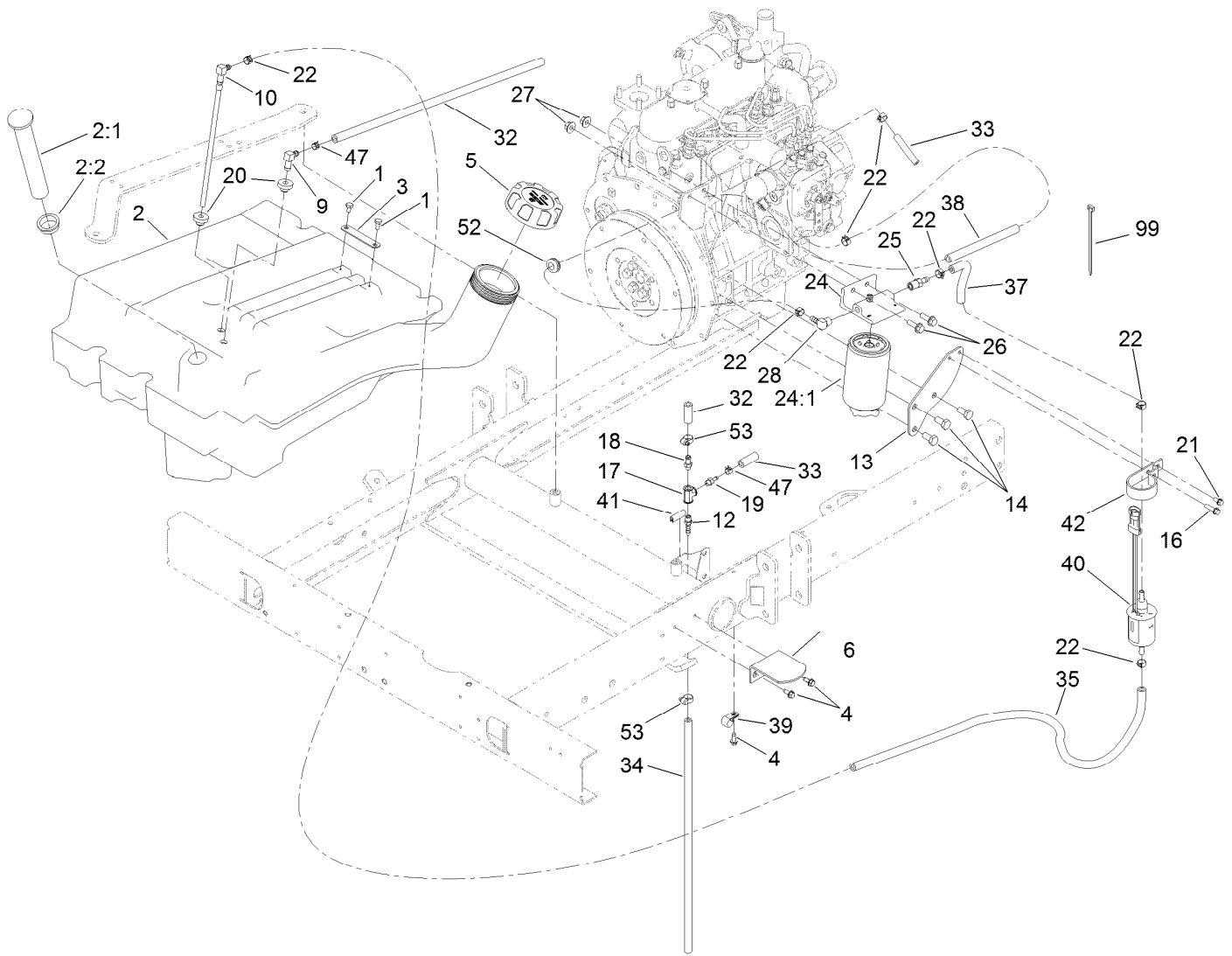


Hood Assembly

| Ref. | Part Number | Qty. | Description | Ref. | Part Number | Qty. | Description |
|-------|-------------|------|------------------------|------|-------------|------|--------------|
| 1 | 3234-4 | 6 | Screw-HHF | 10 | 3290-55 | 4 | Rivet-Pop |
| 2 | 95-8809 | 1 | Trim-Seal | 11 | 3269-10 | 4 | Washer-Back |
| 3 | 3296-42 | 6 | Nut-Lock, NI | 12 | 104-5153 | 2 | Decal-Hood |
| 4 | 95-8724-03 | 1 | Screen-Hood | 13 | 323-6 | 4 | Screw-HH |
| 5 | 121-3633 | 1 | Hood ASM | 15 | 3290-467 | 1 | Pin-Hair |
| 5:1 | | 1 | Hood ■ | 17 | 119-2004 | 1 | CE Latch Kit |
| 5:1:1 | 106-8114 | 1 | Heat Tape Repair Kit ● | 17:2 | 107-0333 | 2 | Rivet-Pop |
| 6 | 95-8728 | 2 | Bracket-Pivot, Hood | 17:3 | 322-10 | 1 | Screw-HH |
| 7 | 3256-24 | 4 | Washer-Plain | 17:4 | 3296-47 | 1 | Nut-Lock,NI |
| 8 | 59-9740 | 2 | Flex Draw Latch ASM | 17:5 | 3269-10 | 2 | Washer-Back |
| 8:2 | 249-40 | 1 | Keeper | 21 | 66-6140 | 2 | Decal |
| 9 | 107-0333 | 4 | Rivet-Pop | | | | |

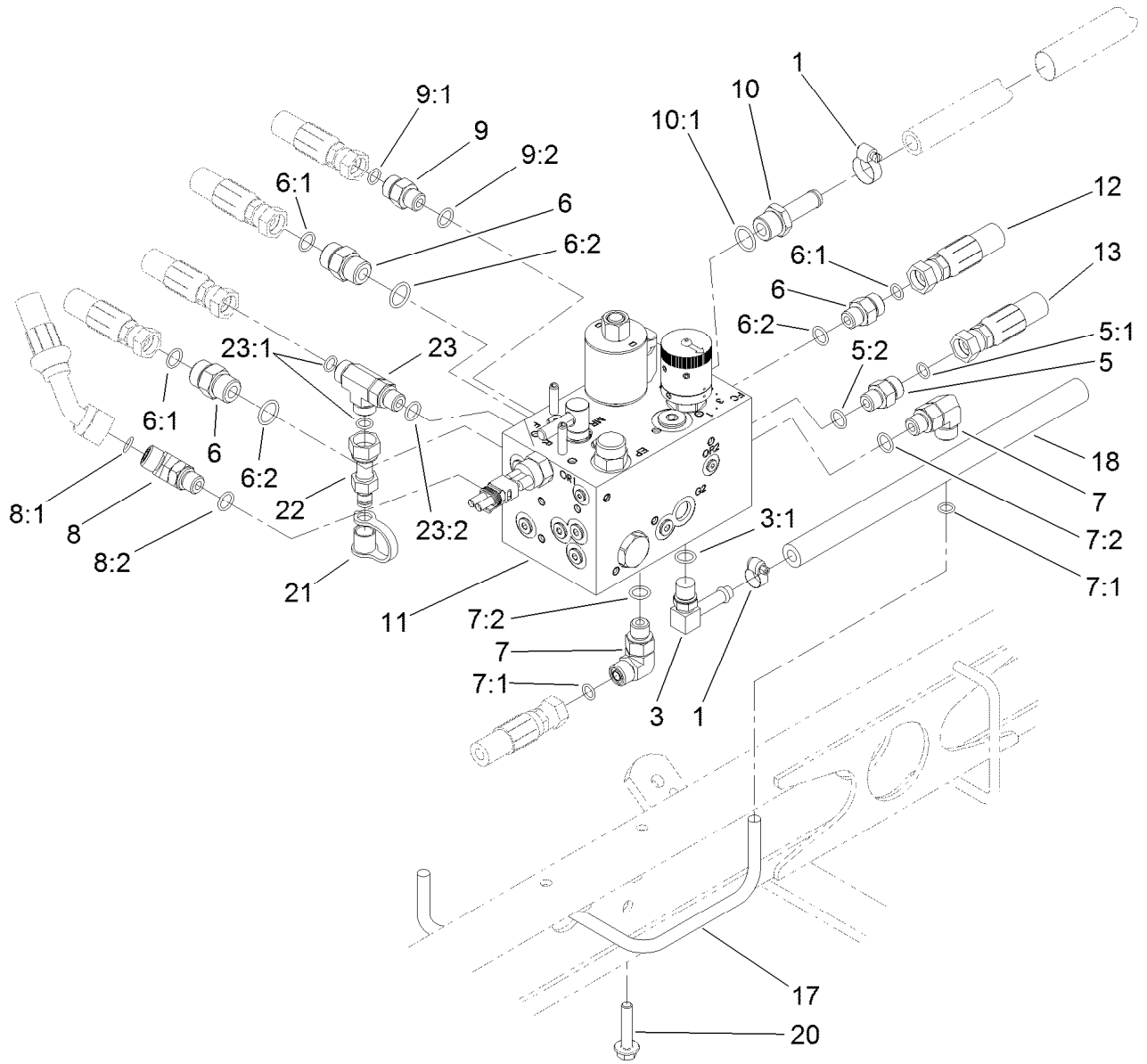
● Not illustrated

■ Not serviced separately



Fuel System Assembly

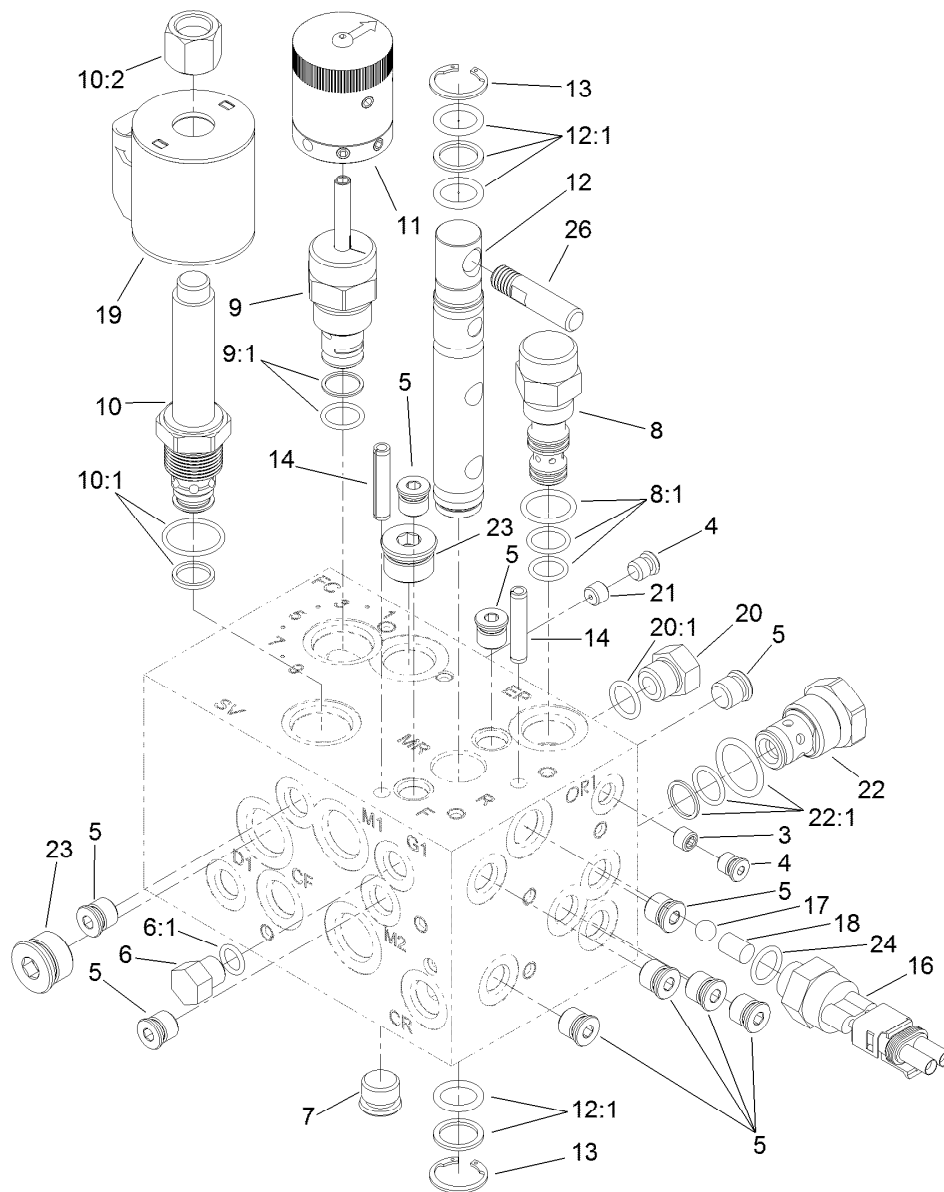
| Ref. | Part Number | Qty. | Description | Ref. | Part Number | Qty. | Description |
|------|-------------|------|------------------------|------|-------------|------|----------------------------|
| 1 | 321-2 | 2 | Screw-HH | 24 | 110-9044 | 1 | Separator-Filter |
| 2 | 95-8620 | 1 | Tank-Fuel | 24:1 | 110-9049 | 1 | Filter-Spin On, Fuel/Water |
| 2:1 | 95-8971 | 1 | Gauge-Fuel | 25 | 353-783 | 1 | Fitting-STR |
| 2:2 | 95-8972 | 1 | Grommet | 26 | 3234-17 | 2 | Screw-HHF |
| 3 | 95-8881 | 1 | Strap-Line, Fuel | 27 | 32128-44 | 2 | Nut |
| 4 | 32144-10 | 3 | Screw-HWH | 28 | 353-781 | 1 | Fitting-HYD, 90 |
| 5 | 114-5064 | 1 | Cap-Diesel | 32 | 110-6187 | 1 | Hose-Fuel |
| 6 | 95-8968-03 | 1 | Support-Tank, Fuel | 33 | 110-8751 | 1 | Hose-Fuel |
| 9 | 46-6550 | 1 | Fitting-Elbow, 90 DEG | 34 | 110-5701 | 1 | Hose-Fuel |
| 10 | 110-9689 | 1 | Pipe-Stand | 35 | 121-7914 | 1 | Hose-Fuel |
| 12 | 304-73 | 1 | Fitting-Straight | 37 | 117-4026 | 1 | Hose-Fuel |
| 13 | 120-2182-03 | 1 | Plate-Mount, Fuel Pump | 38 | 121-7852 | 1 | Hose-Fuel |
| 14 | 63-7790 | 3 | Screw-Cap | 39 | 2412-73 | 1 | Clamp-R |
| 16 | 32144-86 | 1 | Screw-HWHTF | 40 | 110-8806 | 1 | Pump-Fuel |
| 17 | 354-20 | 1 | Fitting-Tee | 41 | 110-8754 | 1 | Trim |
| 18 | 354-21 | 1 | Fitting-Barbed | 42 | 110-8817 | 1 | Bracket-Pump, Fuel |
| 19 | 354-22 | 1 | Fitting-Barbed | 47 | 2412-80 | 2 | Clamp-Hose |
| 20 | 46-6560 | 2 | Bushing | 52 | 1-543296 | 1 | Grommet |
| 21 | 32144-4 | 1 | Screw-HWH | 53 | 2412-108 | 2 | Clamp-Worm |
| 22 | 92-2379 | 7 | Clamp-Hose | 99 | 3290-379 | 2 | Tie-Cable |



Manifold Block Assembly

| Ref. | Part Number | Qty. | Description |
|------|-------------|------|-----------------------|
| 1 | 2412-36 | 2 | Clamp-Hose |
| 3 | 100-4887 | 1 | Fitting-Elbow, 90 |
| 3:1 | 237-42 | 1 | O-Ring |
| 5 | 340-2 | 1 | Fitting-Straight |
| 5:1 | 237-22 | 1 | O-Ring |
| 5:2 | 237-42 | 1 | O-Ring |
| 6 | 340-4 | 3 | Fitting-Straight |
| 6:1 | 237-30 | 1 | O-Ring |
| 6:2 | 237-79 | 1 | O-Ring |
| 7 | 340-77 | 2 | Fitting-Elbow, 90 DEG |
| 7:1 | 237-22 | 1 | O-Ring |
| 7:2 | 237-42 | 1 | O-Ring |
| 8 | 340-87 | 1 | Fitting-Elbow, 45 DEG |
| 8:1 | 237-22 | 1 | O-Ring |
| 8:2 | 237-42 | 1 | O-Ring |
| 9 | 340-92 | 1 | Fitting-Straight |

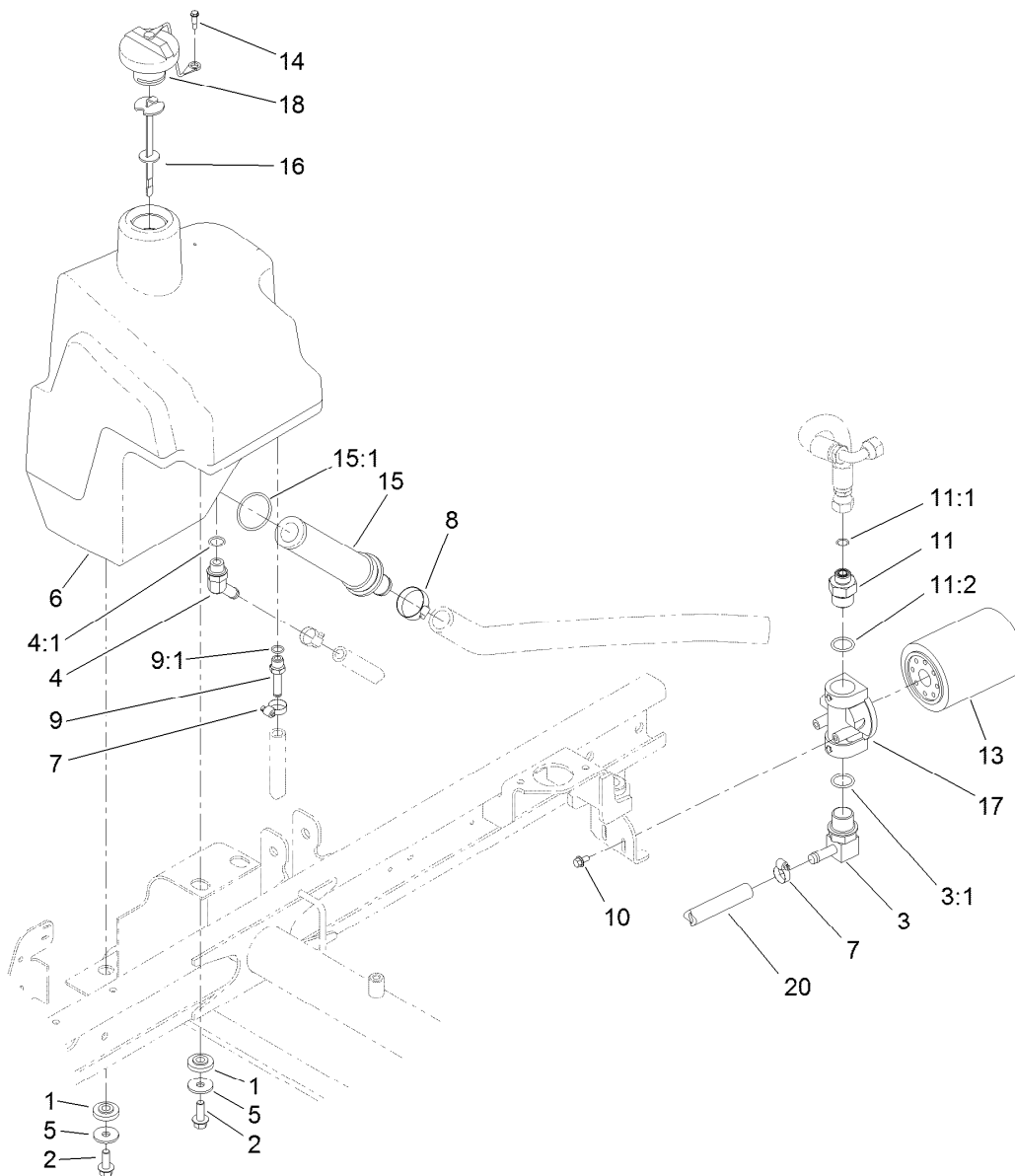
| Ref. | Part Number | Qty. | Description |
|------|-------------|------|--------------|
| 9:1 | 237-78 | 1 | O-Ring |
| 9:2 | 237-21 | 1 | O-Ring |
| 10 | 354-121 | 1 | Fitting-STR |
| 10:1 | 237-79 | 1 | O-Ring |
| 11 | 108-9037 | 1 | Manifold ASM |
| 12 | 95-8829 | 1 | Hose ASM |
| 13 | 106-4197 | 1 | Hose ASM |
| 17 | 95-8792 | 1 | Tube ASM |
| 18 | 80-7342 | 1 | Hose-HYD |
| 20 | 104-8300 | 2 | Nut-HF, NI |
| 21 | 354-79 | 1 | Cap-Dust |
| 22 | 86-5480 | 1 | Nipple-Test |
| 23 | 340-86 | 1 | Fitting-Tee |
| 23:1 | 237-22 | 2 | O-Ring |
| 23:2 | 237-42 | 1 | O-Ring |



Hydraulic Manifold Assembly No. 108-9037

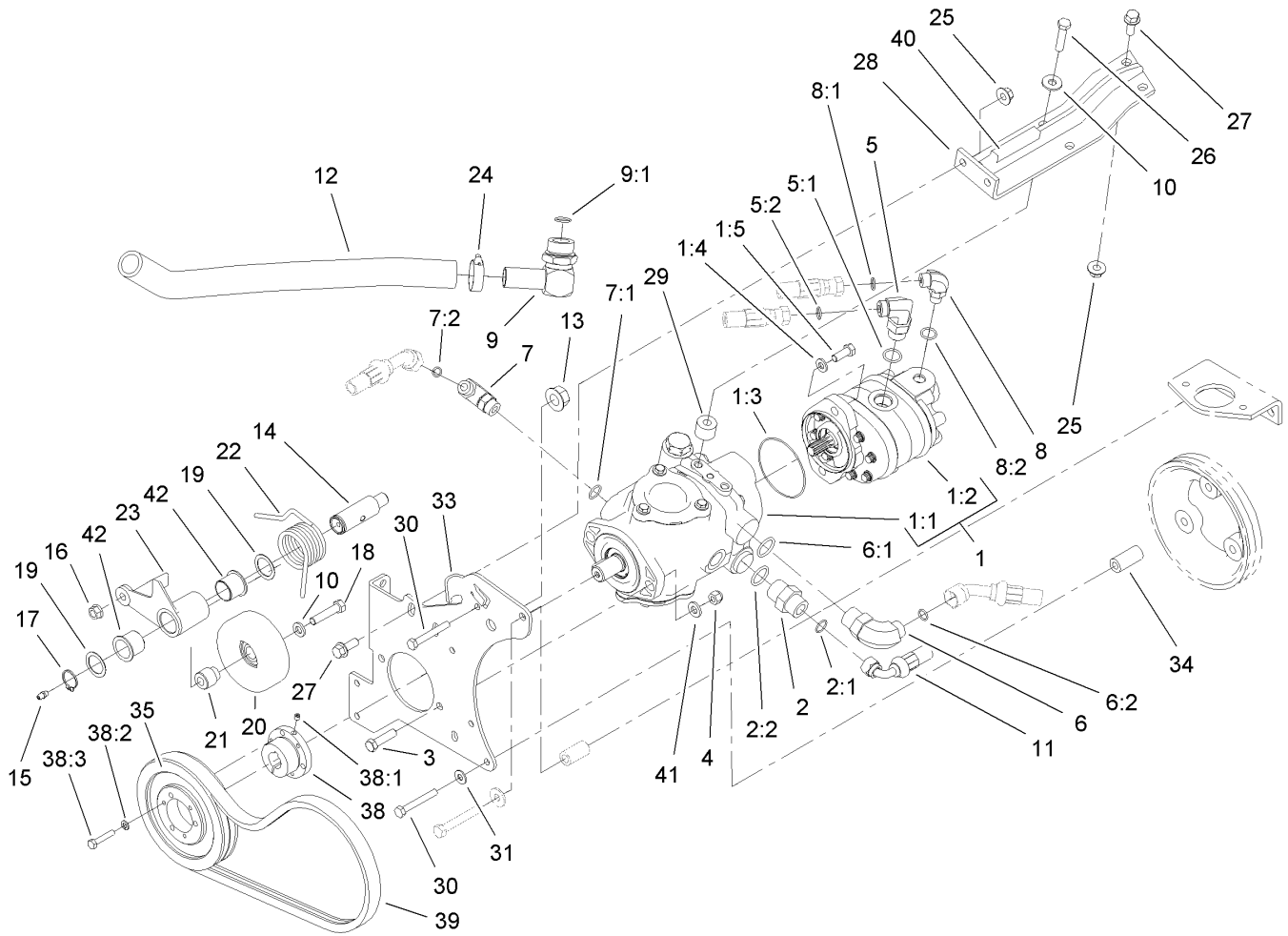
| Ref. | Part Number | Qty. | Description | Ref. | Part Number | Qty. | Description |
|------|-------------|------|-----------------------------------|------|-------------|------|----------------|
| 3 | 110-8771 | 1 | Orifice-.020 | 12:1 | 117-0109 | 1 | Seal Kit |
| 4 | 106-1024 | 2 | Plug-Leak, Zero | 13 | 112-6532 | 2 | Ring-Retaining |
| 5 | 106-1025 | 10 | Plug-HYD | 14 | 112-6531 | 2 | Pin-Spring |
| 6 | 353-512 | 1 | Plug | 16 | 72-4310 | 1 | Switch-Ball |
| 6:1 | 237-78 | 1 | O-Ring | 17 | 110-8762 | 1 | Ball-Chrome |
| 7 | 106-1026 | 1 | Plug-HYD | 18 | 110-8761 | 1 | Pin-Dowel |
| 8 | 110-8770 | 1 | Logic Element | 19 | 110-6344 | 1 | Coil-12V, DC |
| 8:1 | 110-8773 | 1 | Seal Kit | 20 | 353-508 | 1 | Plug-HH |
| 9 | 110-8769 | 1 | Valve-Control, Manual Flow | 20:1 | 237-42 | 1 | O-Ring |
| 9:1 | 110-2633 | 1 | Seal Kit | 21 | 110-8760 | 1 | Orifice-.073 |
| 10 | 110-8768 | 1 | Valve-Relief, Solenoid (3000 PSI) | 22 | 110-8759 | 1 | Valve-Relief |
| 10:1 | 110-6316 | 1 | Seal Kit | 22:1 | 110-8772 | 1 | Seal Kit ● |
| 10:2 | 130-8180 | 1 | Nut-Coil (9/16-24 Unef-2B) | 23 | 106-1027 | 2 | Plug |
| 11 | 110-8767 | 1 | Rotary Handle ASM | 24 | 110-8757 | 1 | O-Ring |
| 12 | 117-0108 | 1 | Spool-Rotary | 26 | 110-8758 | 1 | Handle-Spool |

● Not illustrated



Hydraulic Tank Assembly

| <i>Ref.</i> | <i>Part Number</i> | <i>Qty.</i> | <i>Description</i> | <i>Ref.</i> | <i>Part Number</i> | <i>Qty.</i> | <i>Description</i> |
|-------------|--------------------|-------------|--------------------|-------------|--------------------|-------------|--------------------------|
| 1 | 240-11 | 4 | Bushing-Flange | 10 | 3234-13 | 2 | Screw-HHF |
| 2 | 3234-11 | 4 | Screw-HHF | 11 | 100-4240 | 1 | Fitting-STR |
| 3 | 95-8814 | 1 | Fitting-90 | 11:1 | 237-30 | 1 | O-Ring |
| 3:1 | 237-81 | 1 | O-Ring | 11:2 | 237-81 | 1 | O-Ring |
| 4 | 354-126 | 1 | Fitting-Elbow, 45 | 13 | 54-0110 | 1 | Filter-Oil, Transmission |
| 4:1 | 237-79 | 1 | O-Ring | 14 | 57-5420 | 1 | Screw-Shoulder |
| 5 | 63-8410 | 4 | Washer | 15 | 104-7546 | 1 | Tank Strainer ASM |
| 6 | 104-4840 | 1 | Tank-HYD | 15:1 | 340-136 | 1 | O-Ring |
| 7 | 2412-36 | 3 | Clamp-Hose | 16 | 119-6968 | 1 | Dipstick-Oil |
| 8 | 2412-34 | 1 | Clamp-Hose | 17 | 92-5821 | 1 | Head-Filter |
| 9 | 353-979 | 1 | Fitting-STR | 18 | 93-7160 | 1 | Cap-Oil, HYD |
| 9:1 | 237-42 | 1 | O-Ring | 20 | 99-3501 | 1 | Hose |

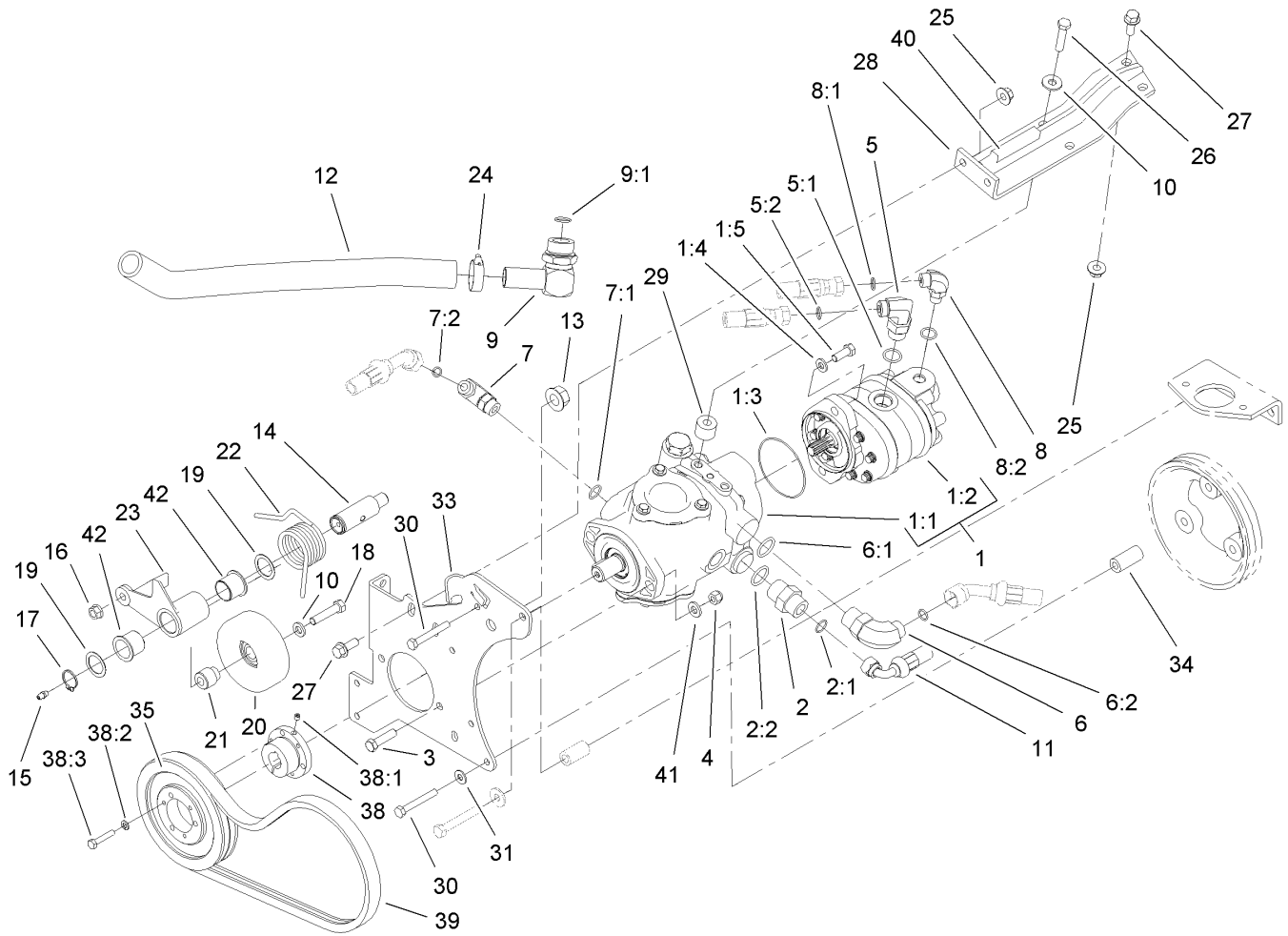


Hydrostat Assembly

| Ref. | Part Number | Qty. | Description |
|------|-------------|------|-----------------------|
| 1 | | 1 | Tandem Pump ASM ● |
| 1:1 | 104-4890 | 1 | Piston Pump ASM |
| 1:2 | 95-8601 | 1 | Gear Pump ASM |
| 1:3 | 60-3520 | 1 | O-Ring |
| 1:4 | 3256-24 | 2 | Washer-Plain |
| 1:5 | 3274-1 | 2 | Screw-HSH |
| 2 | 340-8 | 1 | Fitting-Straight |
| 2:1 | 237-65 | 1 | O-Ring |
| 2:2 | 237-81 | 1 | O-Ring |
| 3 | 323-8 | 2 | Screw-HH |
| 4 | 3296-39 | 2 | Nut-Lock, NI |
| 5 | 340-105 | 1 | Fitting-Elbow, 90 DEG |
| 5:1 | 237-80 | 1 | O-Ring |
| 5:2 | 237-30 | 1 | O-Ring |
| 6 | 340-139 | 1 | Fitting-Elbow 90 |
| 6:1 | 237-81 | 1 | O-Ring |
| 6:2 | 237-65 | 1 | O-Ring |
| 7 | 340-18 | 1 | Fitting-HYD, 90 DEG |
| 7:1 | 237-79 | 1 | O-Ring |
| 7:2 | 237-22 | 1 | O-Ring |
| 8 | 340-77 | 1 | Fitting-Elbow, 90 DEG |
| 8:1 | 237-22 | 1 | O-Ring |
| 8:2 | 237-42 | 1 | O-Ring |
| 9 | 56-9530 | 1 | Fitting-HYD, 90 DEG |
| 9:1 | 237-117 | 1 | O-Ring |

| Ref. | Part Number | Qty. | Description |
|------|-------------|------|--------------------|
| 10 | 80-6990 | 3 | Washer-Hardened |
| 11 | 105-1214 | 1 | Hose-HYD |
| 12 | 104-4845 | 1 | Hose-Suction |
| 13 | 32128-54 | 1 | Nut-HF |
| 14 | 99-3529 | 1 | Shaft-Pivot, Idler |
| 15 | 302-5 | 1 | Fitting-Grease |
| 16 | 32128-21 | 1 | Nut-HF Lock |
| 17 | 32151-36 | 1 | Ring-Retaining |
| 18 | 323-10 | 1 | Screw-HH |
| 19 | 74-1810 | 2 | Washer |
| 20 | 95-8802 | 1 | Pulley-Idler |
| 21 | 95-8806 | 1 | Spacer |
| 22 | 95-8917 | 1 | Spring-Torsion |
| 23 | 99-3623-03 | 1 | Arm-Idler |
| 24 | 2412-34 | 1 | Clamp-Hose |
| 25 | 32128-43 | 4 | Nut-Flange |
| 26 | 323-19 | 2 | Screw-HH |
| 27 | 3234-11 | 4 | Screw-HHF |
| 28 | 99-3436-03 | 1 | Support-Pump |
| 29 | 99-3440 | 2 | Spacer |
| 30 | 33114-060 | 4 | Screw-HH |
| 31 | 87-8640 | 3 | Washer-Flat |
| 33 | 95-8933-03 | 1 | Plate-Mount, Pump |
| 34 | 95-8941 | 4 | Spacer-Mount, Pump |
| 35 | 93-6841 | 1 | Pulley |

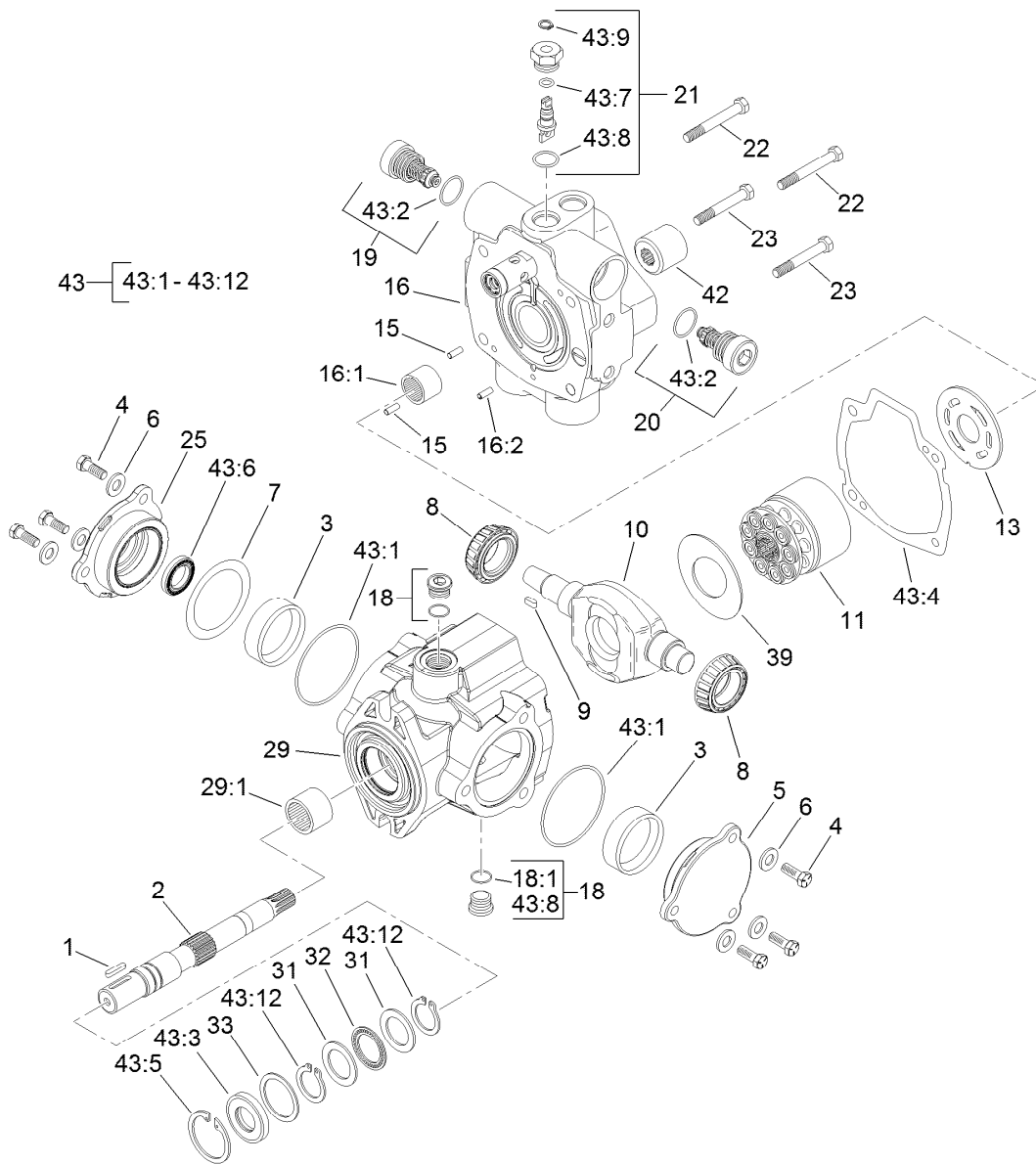
● Not serviced separately



Hydrostat Assembly (continued)

| <i>Ref.</i> | <i>Part Number</i> | <i>Qty.</i> | <i>Description</i> | <i>Ref.</i> | <i>Part Number</i> | <i>Qty.</i> | <i>Description</i> |
|-------------|--------------------|-------------|---------------------|-------------|--------------------|-------------|--------------------|
| 38 | 93-6842 | 1 | Bushing-Lock, Taper | 39 | 95-8730 | 1 | V-Belt |
| 38:1 | 3245-36 | 1 | Screw-Set, HSH | 40 | 70-2041 | 1 | Trim - Edge |
| 38:2 | 321-13 | 3 | Screw-HH | 41 | 100-4852 | 2 | Washer-Hardened |
| 38:3 | 3253-2 | 3 | Washer-Lock | 42 | 126-1963 | 2 | Bushing-Pivot |

● Not serviced separately

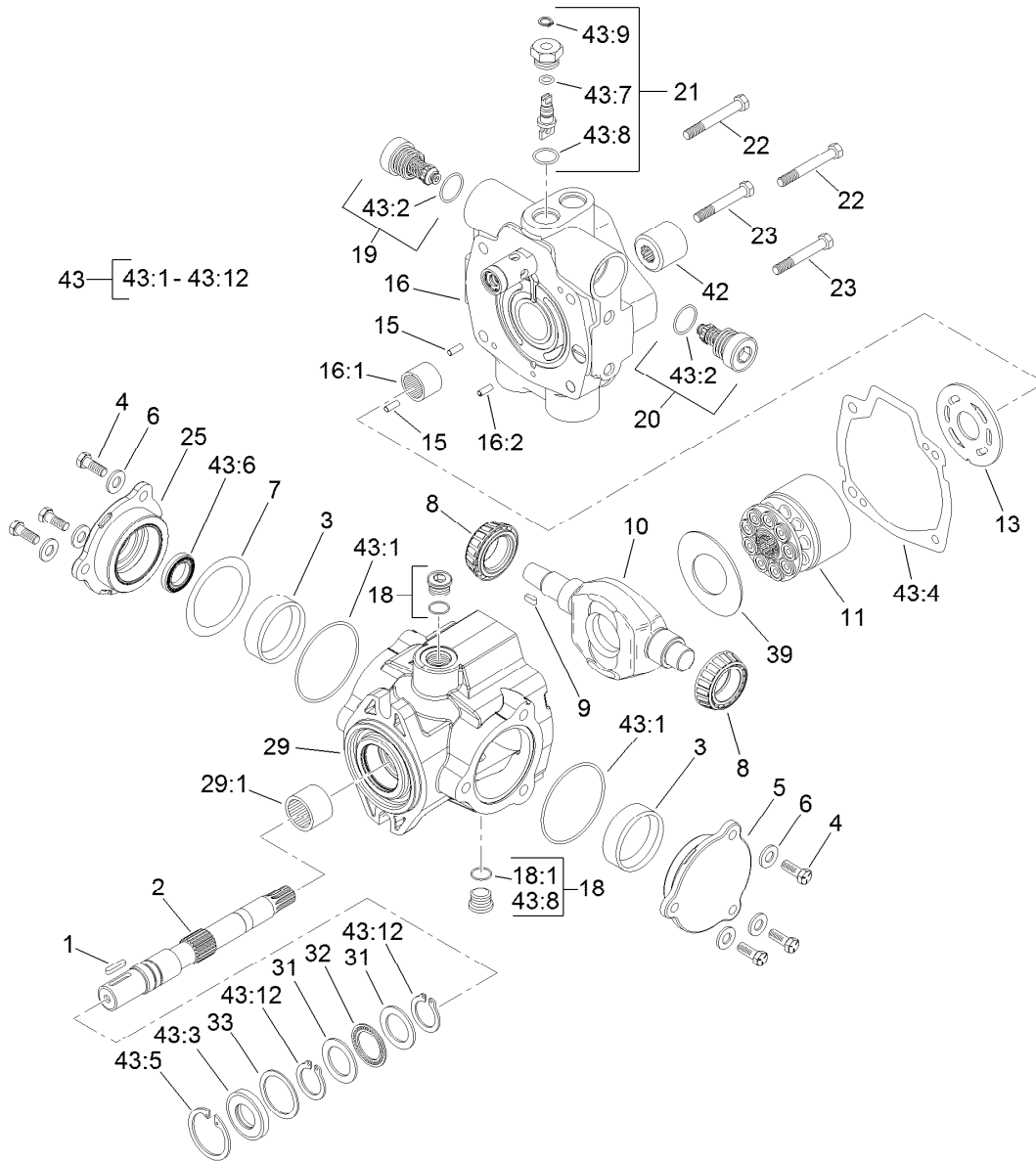


Hydraulic Pump Assembly No. 104-4890

| Ref. | Part Number | Qty. | Description | Ref. | Part Number | Qty. | Description |
|------|-------------|------|------------------|------|-------------|------|-------------------|
| 1 | 94-3645 | 1 | Key | 19 | 104-4889 | 1 | Relief Valve ASM |
| 2 | 94-6359 | 1 | Shaft-Drive | 20 | 105-3812 | 1 | Valve-Check |
| 3 | 104-4046 | 2 | Bearing-Cup | 21 | 105-3811 | 1 | Valve-Bypass |
| 4 | 98-4640 | 6 | Screw-Cap | 22 | 76-6170 | 2 | Capscrew |
| 5 | 98-4644 | 1 | Plate-Cover | 23 | 76-6160 | 2 | Capscrew |
| 6 | 105-9762 | 6 | Washer | 25 | 98-4645 | 1 | Plate-Cover |
| 7 | 100-3182 | 2 | Shim Kit | 29 | 100-3176 | 1 | Housing ASM |
| 8 | 98-4639 | 2 | Bearing-Cone | 29:1 | 94-6363 | 1 | Bearing |
| 9 | 94-3646 | 1 | Key | 31 | 252-71 | 2 | Washer-Thrust |
| 10 | 104-4888 | 1 | Swashplate | 32 | 252-66 | 1 | Bearing-Thrust |
| 11 | 76-6070 | 1 | Rotating Kit | 33 | 33-3720 | 1 | Washer |
| 13 | 104-0429 | 1 | Plate-Valve | 39 | 98-4635 | 1 | Insert-Plate, Cam |
| 15 | 76-6150 | 2 | Pin-Dowel | 42 | 74-9040 | 1 | Coupler |
| 16 | 105-3813 | 1 | Endcover Sub ASM | 43 | 120-5754 | 1 | Seal Kit |
| 16:1 | 94-6368 | 1 | Bearing | 43:1 | | 2 | O-Ring ■ |
| 16:2 | | 1 | Pin-Roll ■ | 43:2 | | 2 | O-Ring ■ |
| 18 | 74-9280 | 2 | Plug ASM | 43:3 | | 1 | Seal-Shaft ■ |
| 18:1 | | 1 | O-Ring ■ | 43:4 | | 1 | Gasket ■ |

● Not illustrated

■ Not serviced separately



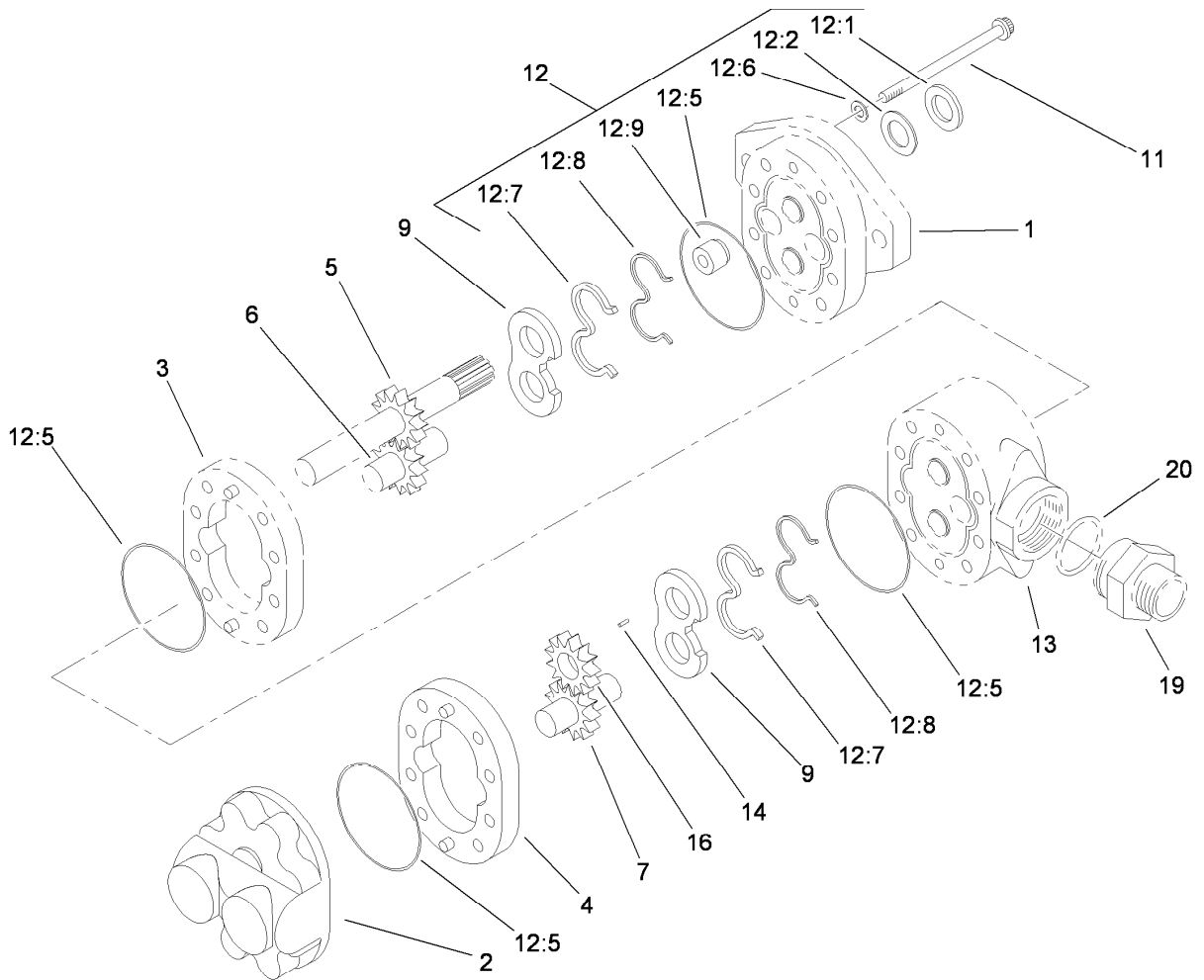
Hydraulic Pump Assembly No. 104-4890 (continued)

| Ref. | Part Number | Qty. | Description |
|------|-------------|------|------------------|
| 43:5 | | 1 | Ring-Retaining ■ |
| 43:6 | | 1 | Seal-Shaft ■ |
| 43:7 | | 1 | O-Ring ■ |
| 43:8 | | 5 | O-Ring ■ |
| 43:9 | | 1 | Ring-Retaining ■ |

| Ref. | Part Number | Qty. | Description |
|-------|-------------|------|------------------|
| 43:10 | | 1 | O-Ring ●■ |
| 43:11 | | 1 | O Ring-Molded ●■ |
| 43:12 | | 2 | Ring-Retaining ■ |
| 43:13 | | 1 | O-Ring ■● |

● Not illustrated

■ Not serviced separately

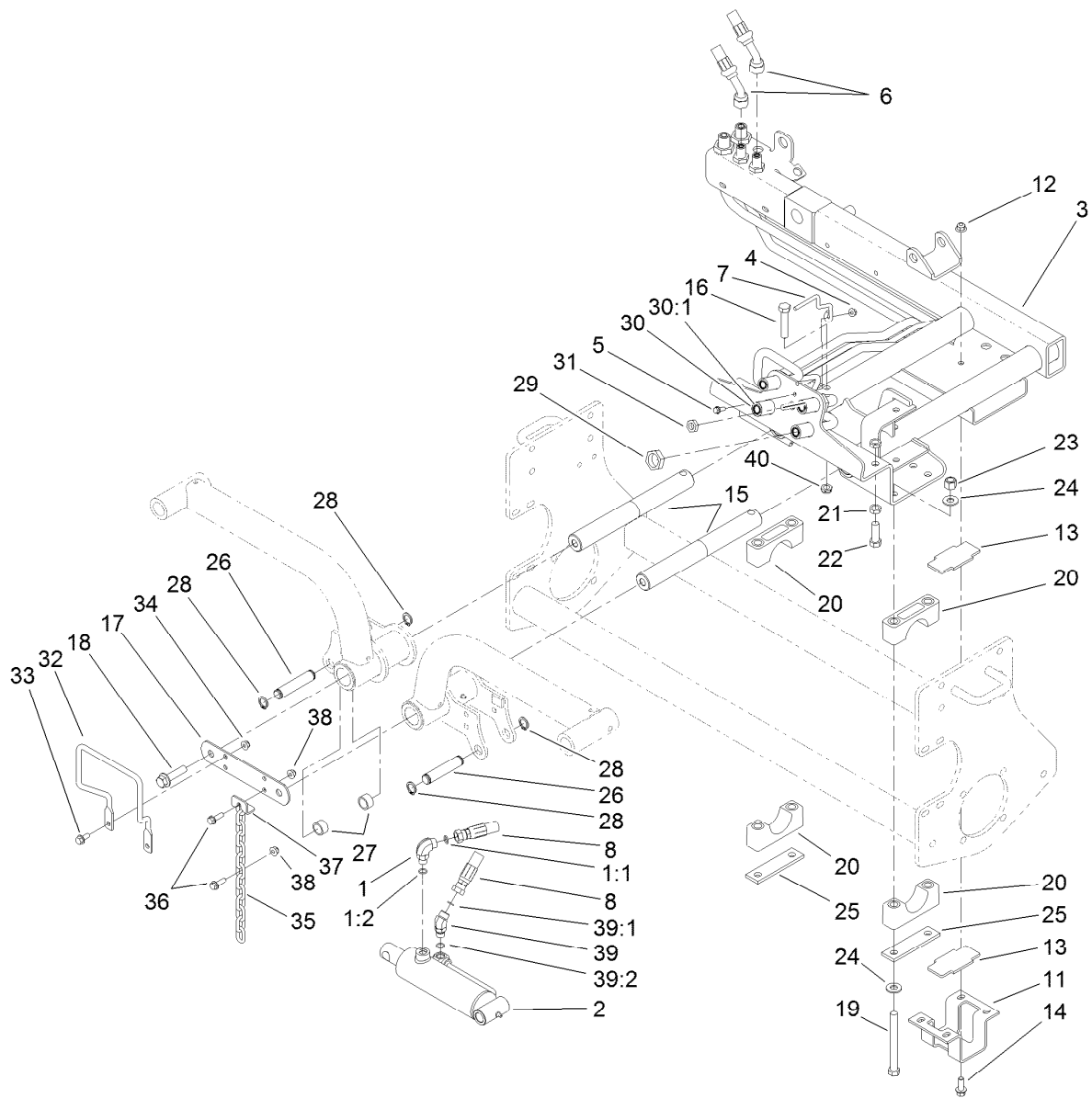


Gear Pump Assembly No. 95-8601

| Ref. | Part Number | Qty. | Description |
|------|-------------|------|-------------------|
| 1 | | 1 | Plate-Front ■ |
| 2 | | 1 | Plate-Back ■ |
| 3 | | 1 | Body ■ |
| 4 | 95-4364 | 1 | Body |
| 5 | | 1 | Gear-Drive ■ |
| 6 | | 1 | Gear-Idler ■ |
| 7 | 95-4366 | 1 | Gear-Idler |
| 9 | 95-4368 | 2 | Plate-Wear |
| 11 | 94-8158 | 8 | Screw-Cap |
| 12 | 94-8161 | 1 | Seal Repair Kit ● |
| 12 | | 4 | O-Ring ■ |
| 12:1 | 49-2640 | 1 | Seal-Shaft |
| 12:2 | 60-5890 | 1 | Washer |
| 12:5 | | 4 | O-Ring ■ |
| 12:6 | 120-7576 | 4 | Washer-Sealing |
| 12:7 | 95-4369 | 2 | Seal-Pressure |
| 12:8 | 95-4368 | 2 | Plate-Wear |
| 12:9 | 94-3011 | 1 | Plug |
| 13 | | 1 | Plate-Adapter ■ |
| 14 | | 1 | Key ■ |
| 16 | 95-4373 | 1 | Gear-Fit, Slip |
| 19 | 49-2640 | 1 | Seal-Shaft |
| 20 | 60-5890 | 1 | Washer |

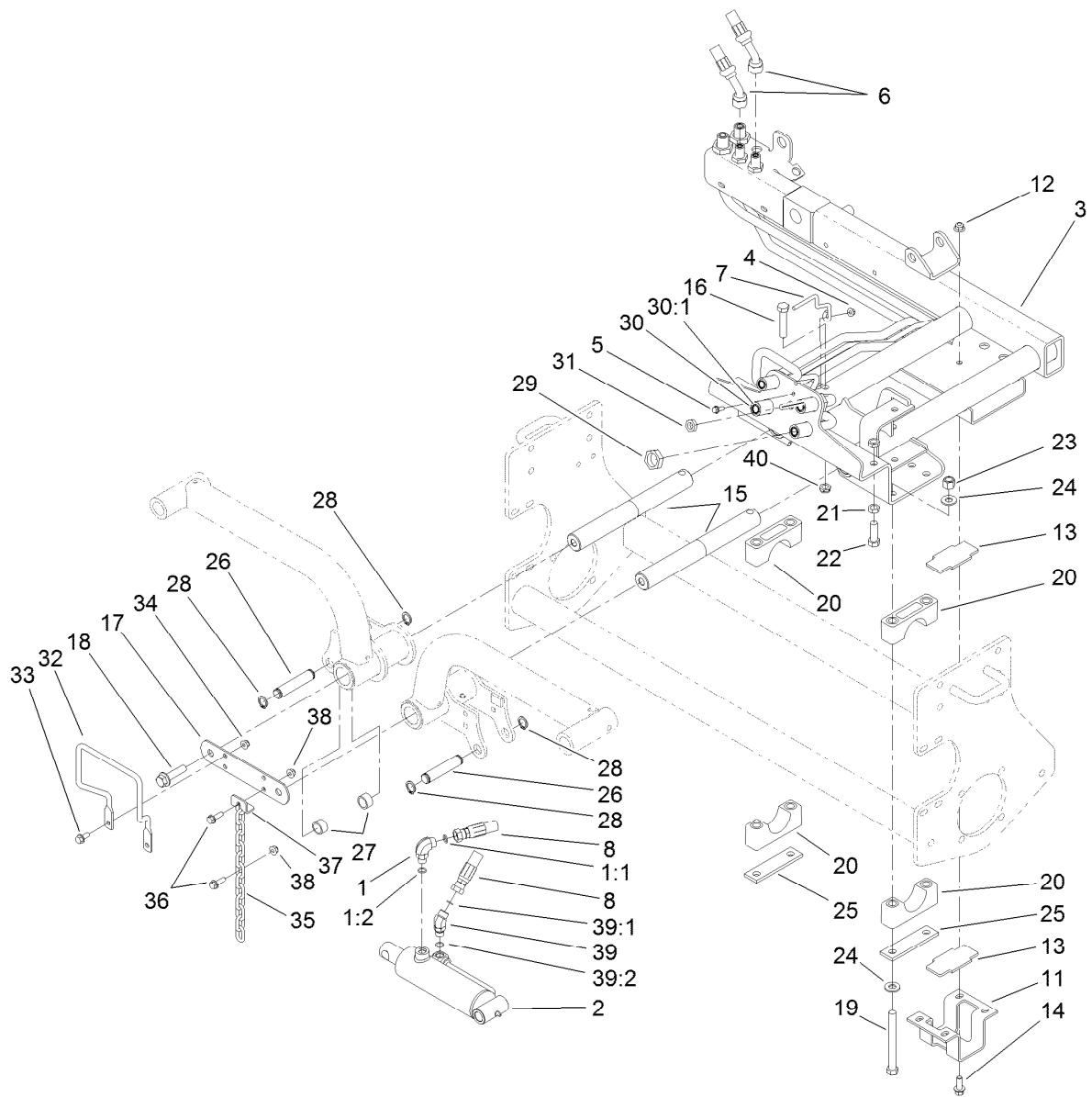
● Not illustrated

■ Not serviced separately



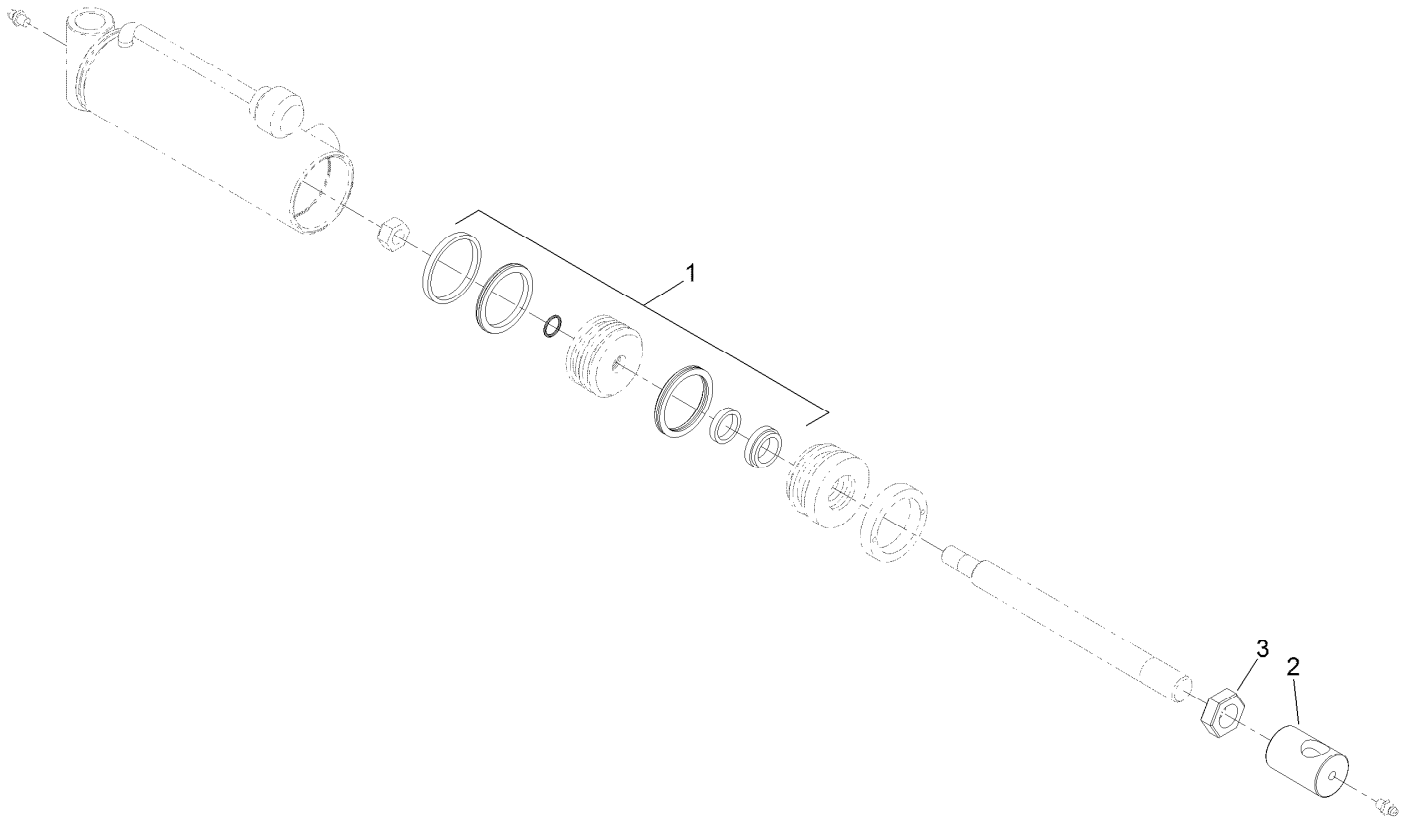
Carrier Assembly

| <i>Ref.</i> | <i>Part Number</i> | <i>Qty.</i> | <i>Description</i> | <i>Ref.</i> | <i>Part Number</i> | <i>Qty.</i> | <i>Description</i> |
|-------------|--------------------|-------------|-----------------------|-------------|--------------------|-------------|------------------------|
| 1 | 340-77 | 1 | Fitting-Elbow, 90 DEG | 22 | 325-7 | 2 | Screw-HH |
| 1:1 | 237-22 | 1 | O-Ring | 23 | 3296-23 | 8 | Nut-Lock, NI |
| 1:2 | 237-42 | 1 | O-Ring | 24 | 87-7270 | 16 | Washer-Thrust |
| 2 | 117-5109 | 1 | HYD Cylinder ASM | 25 | 99-3373 | 4 | Bar-Support, Slide |
| 3 | 100-4930-03 | 1 | Carrier ASM | 26 | 95-8575 | 2 | Pin-Clevis |
| 4 | 32128-33 | 1 | Nut-HF | 27 | 75-9590 | 2 | Spacer-Cylinder |
| 5 | 3234-4 | 1 | Screw-HHF | 28 | 32120-93 | 4 | Ring-Retaining |
| 6 | 95-8822 | 2 | Hose-HYD | 29 | 340-74 | 4 | Nut-Lock, Bulkhead |
| 7 | 99-3433 | 1 | Wire-Center | 30 | 99-3640 | 1 | Tube ASM |
| 8 | 117-5147 | 2 | Hose-HYD | 30:1 | 237-65 | 2 | O-Ring |
| 11 | 95-8519-03 | 1 | Bracket-Slide | 31 | 340-78 | 1 | Nut-Lock |
| 12 | 32128-43 | 4 | Nut-Flange | 32 | 99-3492 | 1 | Rod-Formed, Hose Guard |
| 13 | 95-8538 | 2 | Slide-Plastic | 33 | 3234-5 | 2 | Screw-HHF |
| 14 | 3234-11 | 4 | Screw-HHF | 34 | 104-8300 | 2 | Nut-HF, NI |
| 15 | 95-8531 | 2 | Shaft-Pivot, Liftarm | 35 | 98-7981 | 2 | Chain-Link, Straight |
| 16 | 325-10 | 2 | Screw-HH | 36 | 3234-17 | 4 | Screw-HHF |
| 17 | 95-8532-03 | 1 | Link-Shaft, Pivot | 37 | 99-3550 | 2 | Clip-Link |
| 18 | 3234-27 | 2 | Screw-HHF | 38 | 104-8300 | 4 | Nut-HF, NI |
| 19 | 325-19 | 8 | Screw-HH | 39 | 340-87 | 1 | Fitting-Elbow, 45 DEG |
| 20 | 104-4865 | 8 | Cap-Bearing | 39:1 | 237-22 | 1 | O-Ring |
| 21 | 3218-5 | 4 | Nut-Jam | | | | |



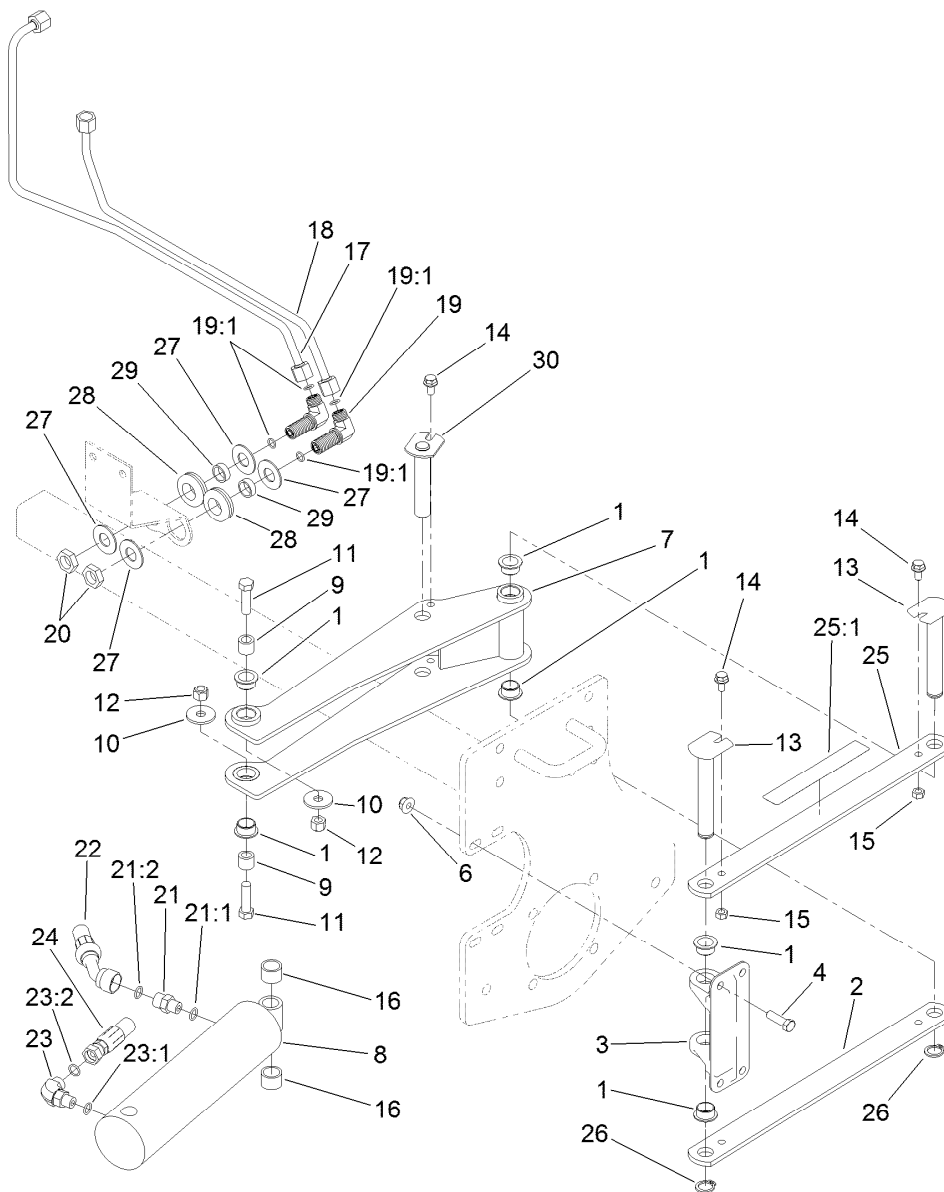
Carrier Assembly (continued)

| <i>Ref.</i> | <i>Part Number</i> | <i>Qty.</i> | <i>Description</i> |
|-------------|--------------------|-------------|--------------------|
| 39:2 | 237-42 | 1 | O-Ring |
| 40 | 3296-45 | 2 | Nut-Hex |



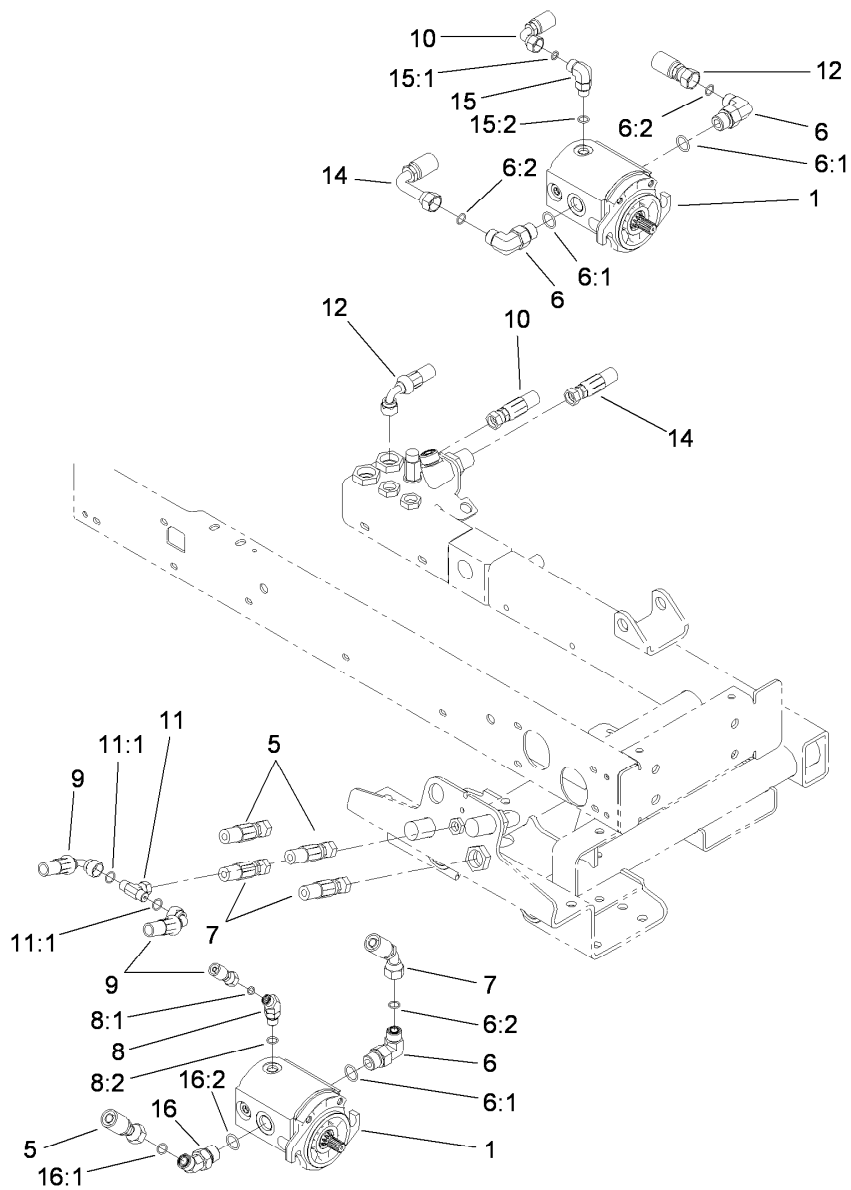
Hydraulic Cylinder Assembly No. 117-5109

| <i>Ref.</i> | <i>Part Number</i> | <i>Qty.</i> | <i>Description</i> |
|-------------|--------------------|-------------|--------------------|
| 1 | 115-3410 | 1 | Seal Kit |
| 2 | 108-9035 | 1 | Clevis |
| 3 | 3220-7 | 1 | Nut-Jam |



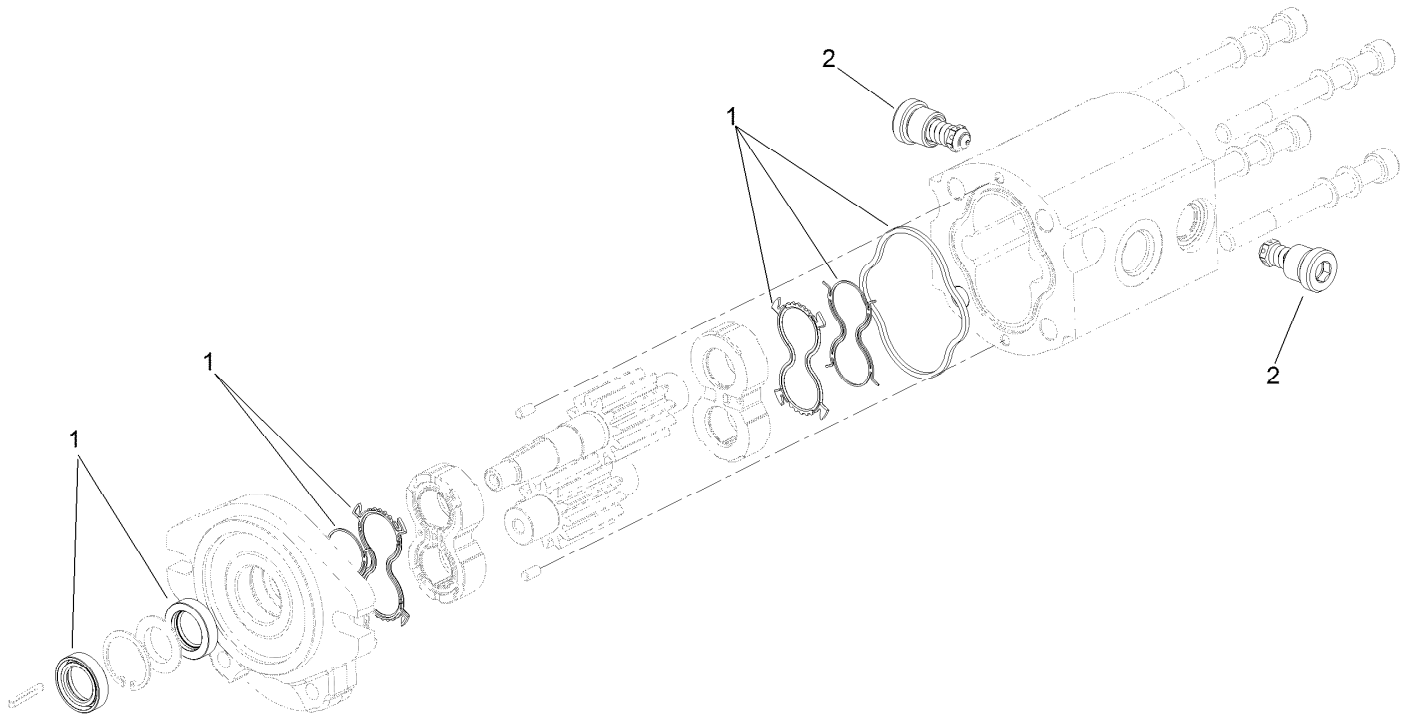
Scissor Assembly

| Ref. | Part Number | Qty. | Description | Ref. | Part Number | Qty. | Description |
|------|-------------|------|-----------------|------|-------------|------|-------------------------|
| 1 | 95-8526 | 6 | Bushing-Plastic | 19:1 | 237-22 | 2 | O-Ring |
| 2 | 95-8527-03 | 1 | Link-Scissor | 20 | 340-70 | 2 | Nut-Lock |
| 3 | 95-8883 | 1 | Mount-Scissor | 21 | 85-9720 | 1 | Fitting-STR, Orifice |
| 4 | 323-7 | 4 | Screw-HH | 21:1 | 237-78 | 1 | O-Ring |
| 6 | 104-8301 | 4 | Nut-HF, NI | 21:2 | 237-21 | 1 | O-Ring |
| 7 | 95-8521-03 | 1 | Frame-Scissor | 22 | 95-8838 | 1 | Hose-HYD |
| 8 | 95-8512 | 1 | Cylinder-HYD | 23 | 340-132 | 1 | Fitting-Elbow, 90 DEG |
| 9 | 95-8603 | 2 | Spacer | 23:1 | 237-78 | 1 | O-Ring |
| 10 | 87-5330 | 2 | Washer | 23:2 | 237-21 | 1 | O-Ring |
| 11 | 324-6 | 2 | Screw-HH | 24 | 95-8839 | 1 | Hose-HYD |
| 12 | 3296-48 | 2 | Nut-Hex | 25 | 99-3505 | 1 | Scissors Link ASM |
| 13 | 125-1914 | 2 | Pin-Pivot | 25:1 | 94-3353 | 1 | Decal-Pinch Point, Intl |
| 14 | 3234-14 | 3 | Screw-HHF | 26 | 32120-93 | 2 | Ring-Retaining |
| 15 | 32152-1 | 3 | Nut-Lock, Cone | 27 | 69-8940 | 4 | Washer |
| 16 | 46-6350 | 2 | Spacer | 28 | 240-4 | 2 | Grommet-Rubber |
| 17 | 95-8790 | 1 | Tube-HYD | 29 | 69-8970 | 2 | Spacer |
| 18 | 95-8791 | 1 | Tube-HYD | 30 | 120-3199 | 1 | Pin-Pivot |
| 19 | 340-154 | 2 | Union-Bulkhead | | | | |



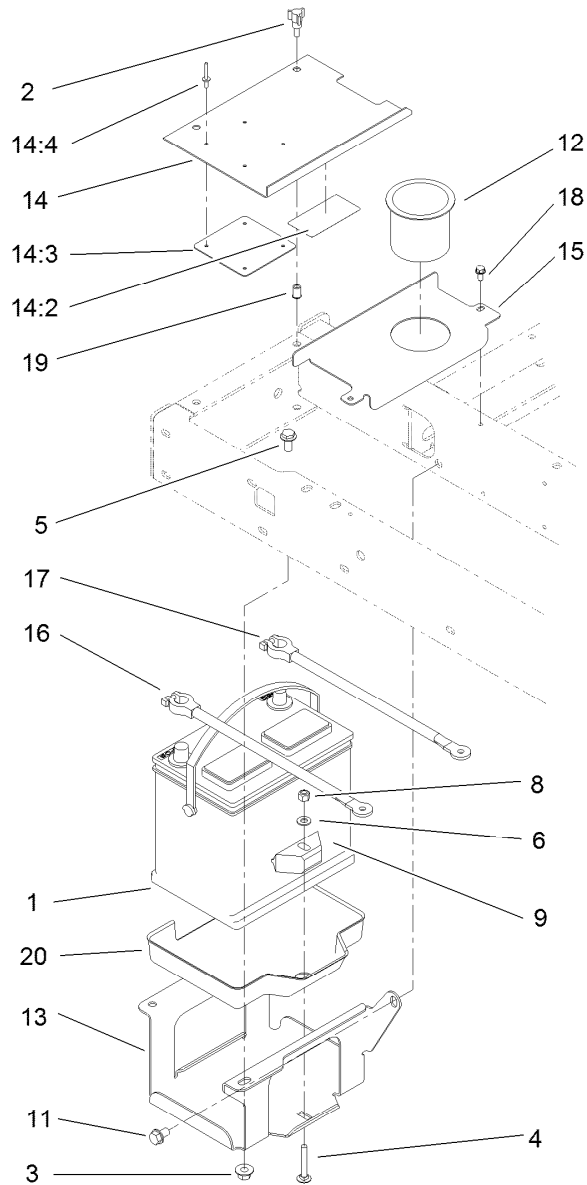
Reel Motor Assembly

| <i>Ref.</i> | <i>Part Number</i> | <i>Qty.</i> | <i>Description</i> | <i>Ref.</i> | <i>Part Number</i> | <i>Qty.</i> | <i>Description</i> |
|-------------|--------------------|-------------|-----------------------|-------------|--------------------|-------------|-----------------------|
| 1 | 115-8250 | 3 | Gear Motor ASM | 11 | 99-3477 | 1 | Fitting-Tee |
| 5 | 117-5142 | 2 | Hose-HYD | 11:1 | 237-21 | 2 | O-Ring |
| 6 | 340-105 | 4 | Fitting-Elbow, 90 DEG | 12 | 117-5146 | 1 | Hose-HYD |
| 6:1 | 237-80 | 1 | O-Ring | 14 | 117-5145 | 1 | Hose-HYD |
| 6:2 | 237-30 | 1 | O-Ring | 15 | 340-77 | 1 | Fitting-Elbow, 90 DEG |
| 7 | 117-5143 | 2 | Hose-HYD | 15:1 | 237-22 | 1 | O-Ring |
| 8 | 340-137 | 2 | Fitting | 15:2 | 237-42 | 1 | O-Ring |
| 8:1 | 237-21 | 1 | O-Ring | 16 | 340-89 | 2 | Fitting-HYD, 45 DEG |
| 8:2 | 237-42 | 1 | O-Ring | 16:1 | 237-30 | 1 | O-Ring |
| 9 | 117-5144 | 2 | Hose-HYD | 16:2 | 237-80 | 1 | O-Ring |
| 10 | 114-5500 | 1 | Hose-HYD | | | | |



Gear Motor Assembly No. 115-8250

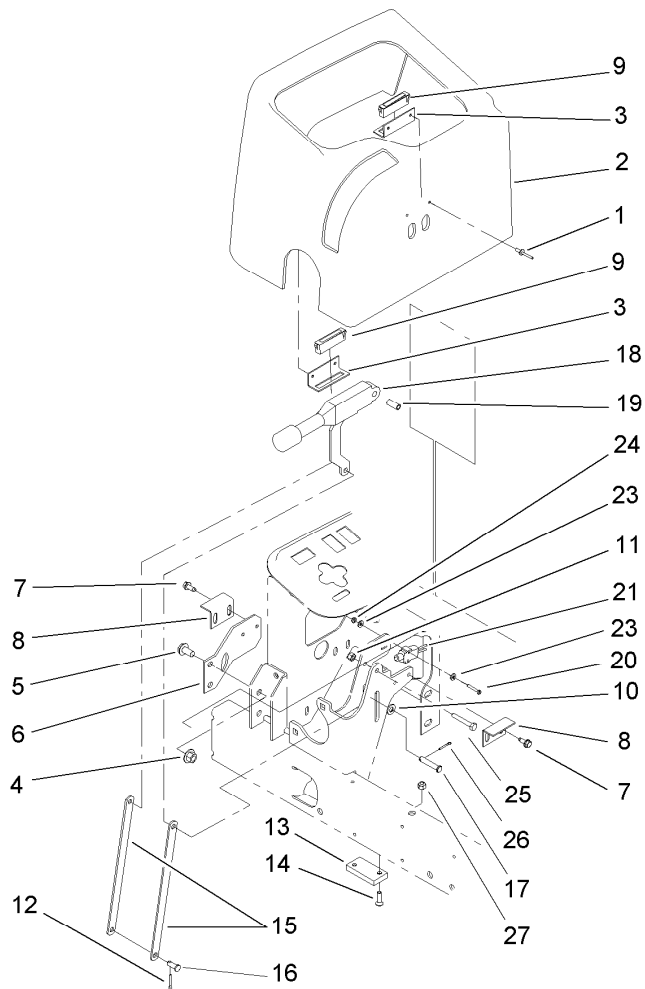
| <i>Ref.</i> | <i>Part Number</i> | <i>Qty.</i> | <i>Description</i> |
|-------------|--------------------|-------------|--------------------|
| 1 | 125-1682 | 1 | Motor Seal Kit |
| 2 | 117-5107 | 2 | Valve-Check |



Battery Assembly

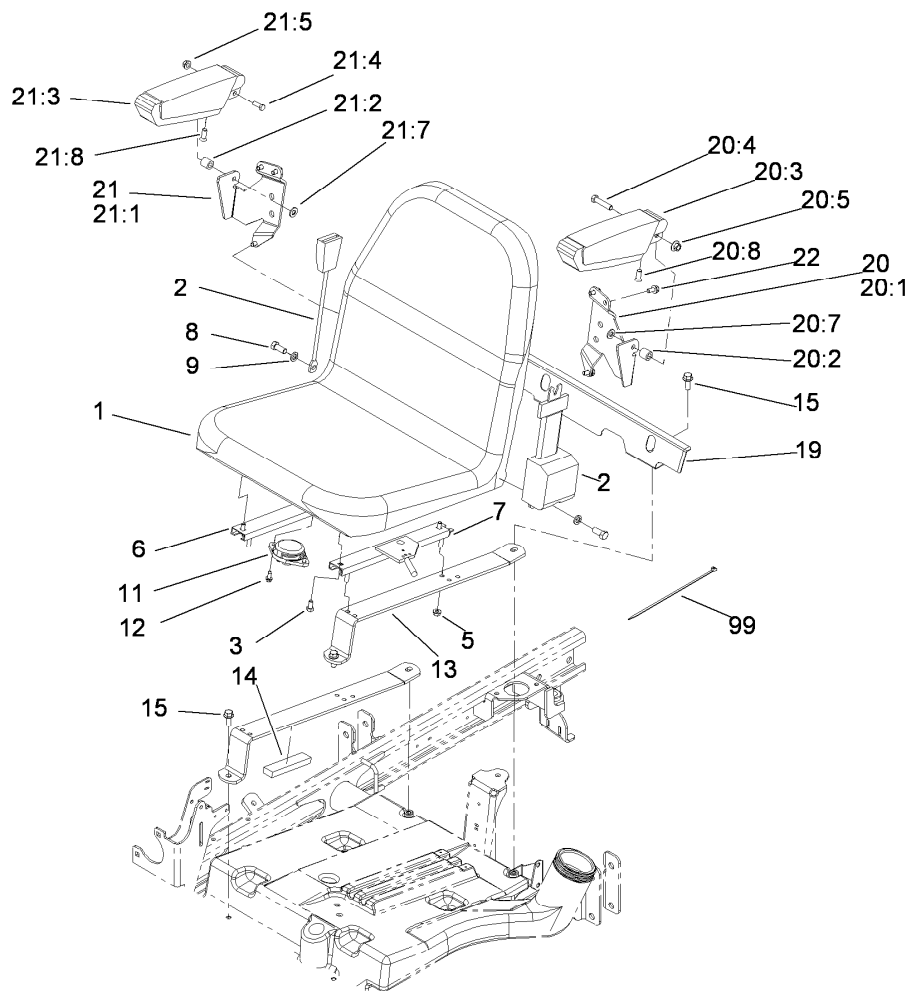
| <i>Ref.</i> | <i>Part Number</i> | <i>Qty.</i> | <i>Description</i> | <i>Ref.</i> | <i>Part Number</i> | <i>Qty.</i> | <i>Description</i> |
|-------------|--------------------|-------------|-------------------------|-------------|--------------------|-------------|--------------------------|
| 1 | 104-0496 | 1 | Battery (Group 55, Wet) | 14 | | 1 | Battery Cover ASM ● |
| 2 | 233-70 | 2 | Knob-Star, Three | 14:2 | 93-7276 | 1 | Decal-Danger |
| 3 | 32128-43 | 3 | Nut-Flange | 14:3 | 87-7620 | 1 | Shield-Terminal, Battery |
| 4 | 3230-6 | 1 | Bolt-CARR | 14:4 | 3269-27 | 4 | Rivet-Snap |
| 5 | 3234-1 | 3 | Screw-HHF | 15 | 95-8817-01 | 1 | Cover-Battery, Inner |
| 6 | 3256-23 | 1 | Washer-Plain | 16 | 95-8853 | 1 | Cable-Battery, Positive |
| 8 | 3296-29 | 1 | Nut-Lock, NI | 17 | 95-8854 | 1 | Cable-Battery, Negative |
| 9 | 66-2490 | 1 | Retainer-Battery | 18 | 32144-4 | 2 | Screw-HWH |
| 11 | 32144-15 | 1 | Screw-HHFTF | 19 | 32148-6 | 2 | Nut-Clinch |
| 12 | 94-1410 | 1 | Holder-Can, Beverage | 20 | 99-3513 | 1 | Tray-Battery |
| 13 | 95-8796-03 | 1 | Support-Battery | | | | |

● Not serviced separately



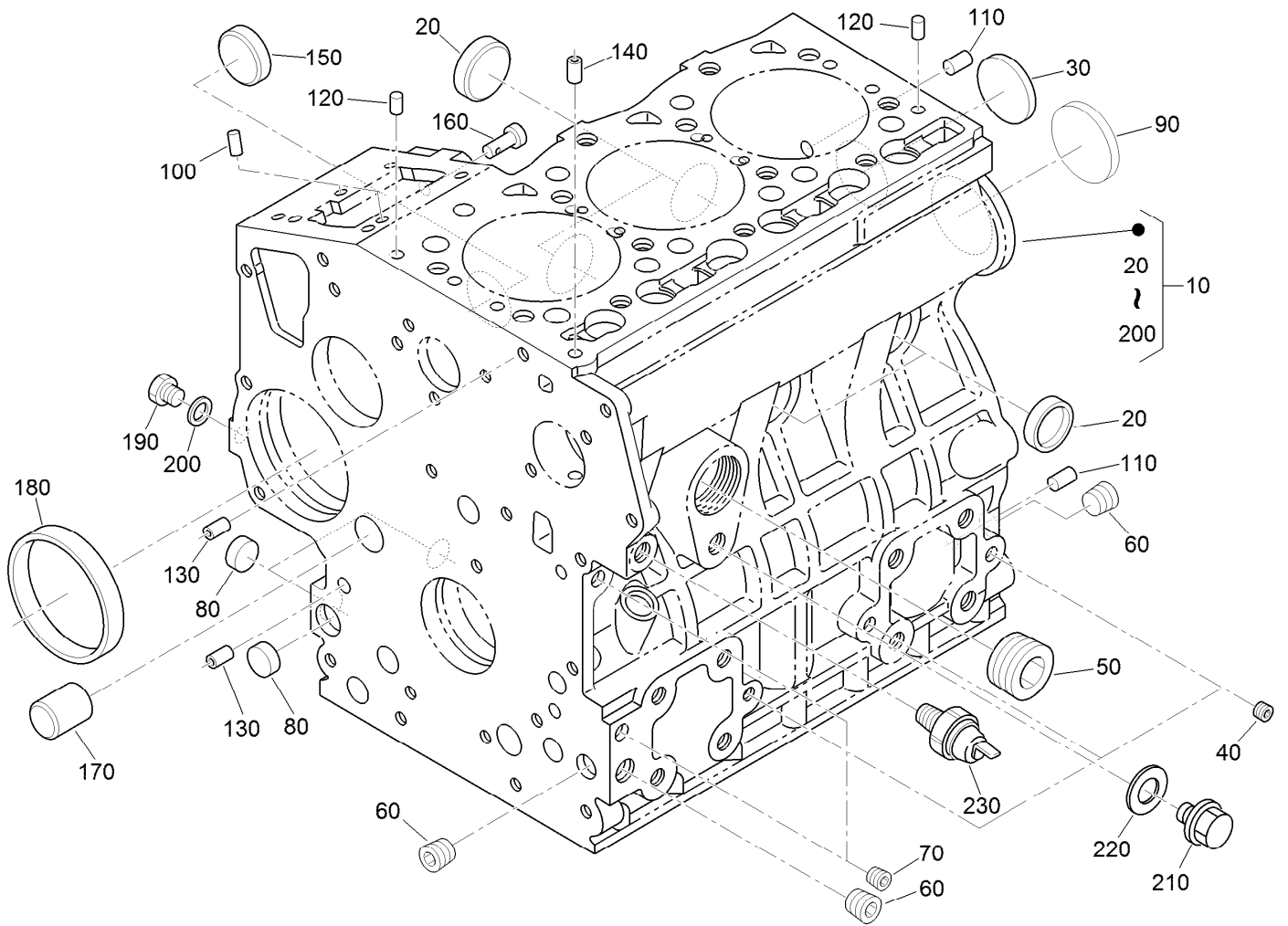
Parking Brake Assembly

| <i>Ref.</i> | <i>Part Number</i> | <i>Qty.</i> | <i>Description</i> | <i>Ref.</i> | <i>Part Number</i> | <i>Qty.</i> | <i>Description</i> |
|-------------|--------------------|-------------|--------------------------|-------------|--------------------|-------------|-----------------------|
| 1 | 3269-5 | 4 | Rivet-Pop | 14 | 3289-4 | 2 | Screw-FH |
| 2 | 95-8707 | 1 | Cover-Dash | 15 | 104-4628 | 2 | Link-Brake, Parking |
| 3 | 95-8763 | 2 | Bracket-Hold Down, Cover | 16 | 283-62 | 1 | Pin-Clevis |
| 4 | 32128-43 | 2 | Nut-Flange | 17 | 94-3829 | 1 | Pin-Clevis |
| 5 | 3234-1 | 2 | Screw-HHF | 18 | 104-4817 | 1 | Lever-Brake |
| 6 | 95-8764-03 | 1 | Support-Magnet | 19 | 87-4710 | 1 | Spacer-Brake, Parking |
| 7 | 32144-10 | 4 | Screw-HWH | 20 | 32105-9 | 2 | Screw-HH |
| 8 | 95-8765 | 2 | Bracket-Strike, Magnet | 21 | 95-8900 | 1 | Switch |
| 9 | 58-4250 | 2 | Catch-Magnetic | 23 | 3256-21 | 4 | Washer-Flat |
| 10 | 3256-23 | 3 | Washer-Plain | 24 | 3296-9 | 2 | Nut-Hex |
| 11 | 3296-42 | 1 | Nut-Lock, NI | 25 | 321-10 | 1 | Screw-HH |
| 12 | 3272-10 | 1 | Pin-Cotter | 26 | 3272-6 | 1 | Pin-Cotter |
| 13 | 95-8684 | 1 | Pad-Bumper | 27 | 104-7201 | 2 | Nut-HF, NI |



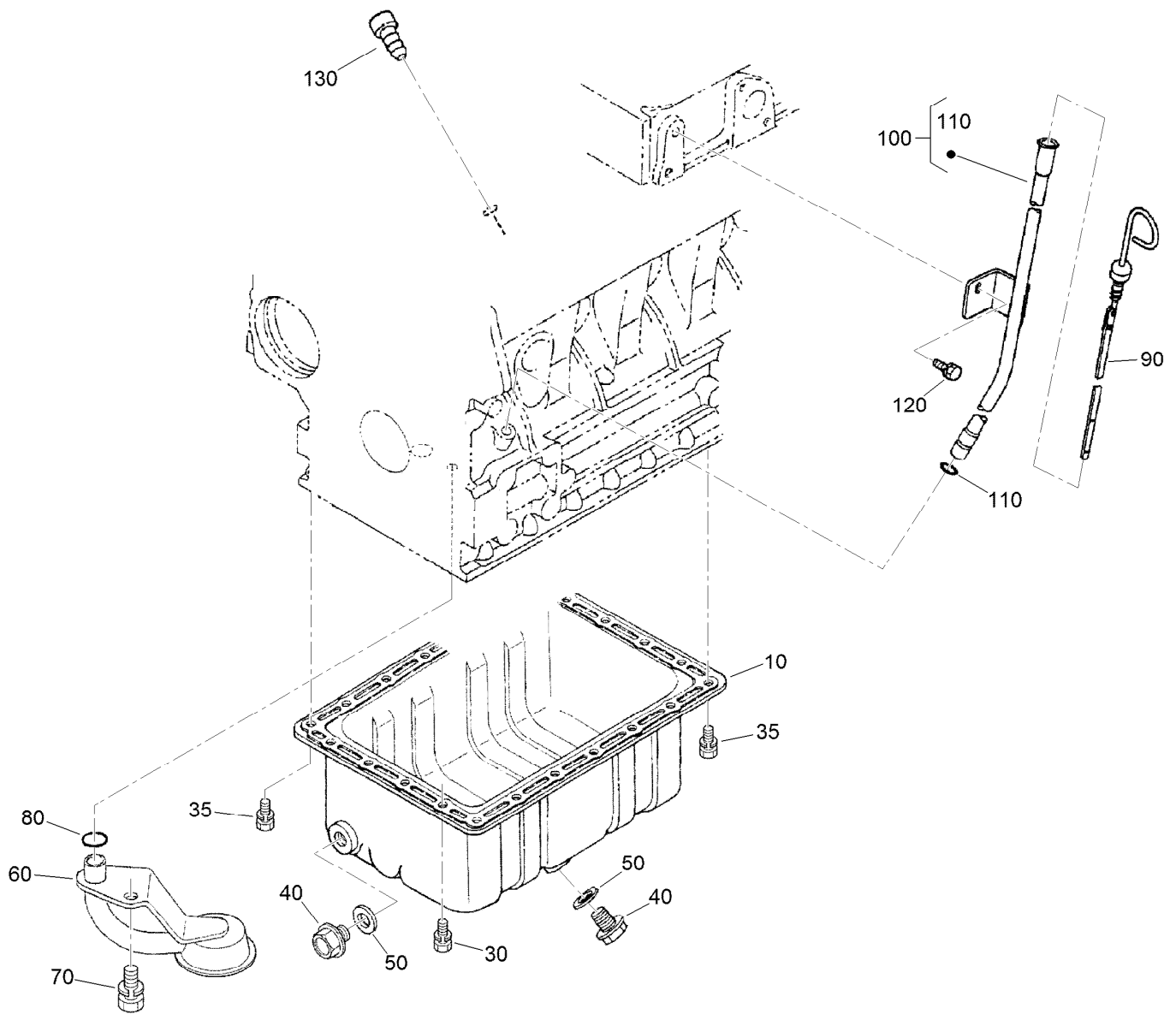
Seat Assembly

| <i>Ref.</i> | <i>Part Number</i> | <i>Qty.</i> | <i>Description</i> | <i>Ref.</i> | <i>Part Number</i> | <i>Qty.</i> | <i>Description</i> |
|-------------|--------------------|-------------|----------------------------|-------------|--------------------|-------------|------------------------|
| 1 | 104-4620 | 1 | Seat | 20:2 | 92-7301 | 1 | Spacer |
| 2 | 100-4928 | 1 | Belt-Seat | 20:3 | 69-1180 | 1 | Armrest |
| 3 | 3234-14 | 4 | Screw-HHF | 20:4 | 323-9 | 1 | Screw-HH |
| 5 | 104-8300 | 4 | Nut-HF, NI | 20:5 | 32128-19 | 1 | Nut-HF Lock, Large Fig |
| 6 | 92-8990 | 1 | Adjuster-Seat, Non-Locking | 20:7 | 3256-24 | 1 | Washer-Plain |
| 7 | 92-8991 | 1 | Adjuster (W/Latch) | 20:8 | 92-7318 | 1 | Screw |
| 8 | 3212-4 | 2 | Screw-HH | 21 | 92-7306 | 1 | RH Armrest ASM |
| 9 | 3253-6 | 2 | Washer-Lock | 21:1 | 69-0770 | 1 | Bracket-Arm, RH |
| 11 | 92-6282 | 1 | Switch-Seat | 21:2 | 92-7301 | 1 | Spacer |
| 12 | 32144-10 | 2 | Screw-HWH | 21:3 | 69-1180 | 1 | Armrest |
| 13 | 104-4847-03 | 2 | Strap-Support, Seat | 21:4 | 323-9 | 1 | Screw-HH |
| 14 | 95-8896 | 2 | Foam | 21:5 | 32128-19 | 1 | Nut-HF Lock, Large Fig |
| 15 | 3234-11 | 4 | Screw-HHF | 21:7 | 3256-24 | 1 | Washer-Plain |
| 19 | 104-4833-03 | 1 | Shield-Heat | 21:8 | 92-7318 | 1 | Screw |
| 20 | 92-7307 | 1 | LH Armrest ASM | 22 | 3234-14 | 6 | Screw-HHF |
| 20:1 | 69-0760 | 1 | Bracket-Arm, LH | 99 | 3290-378 | 1 | Tie-Cable |



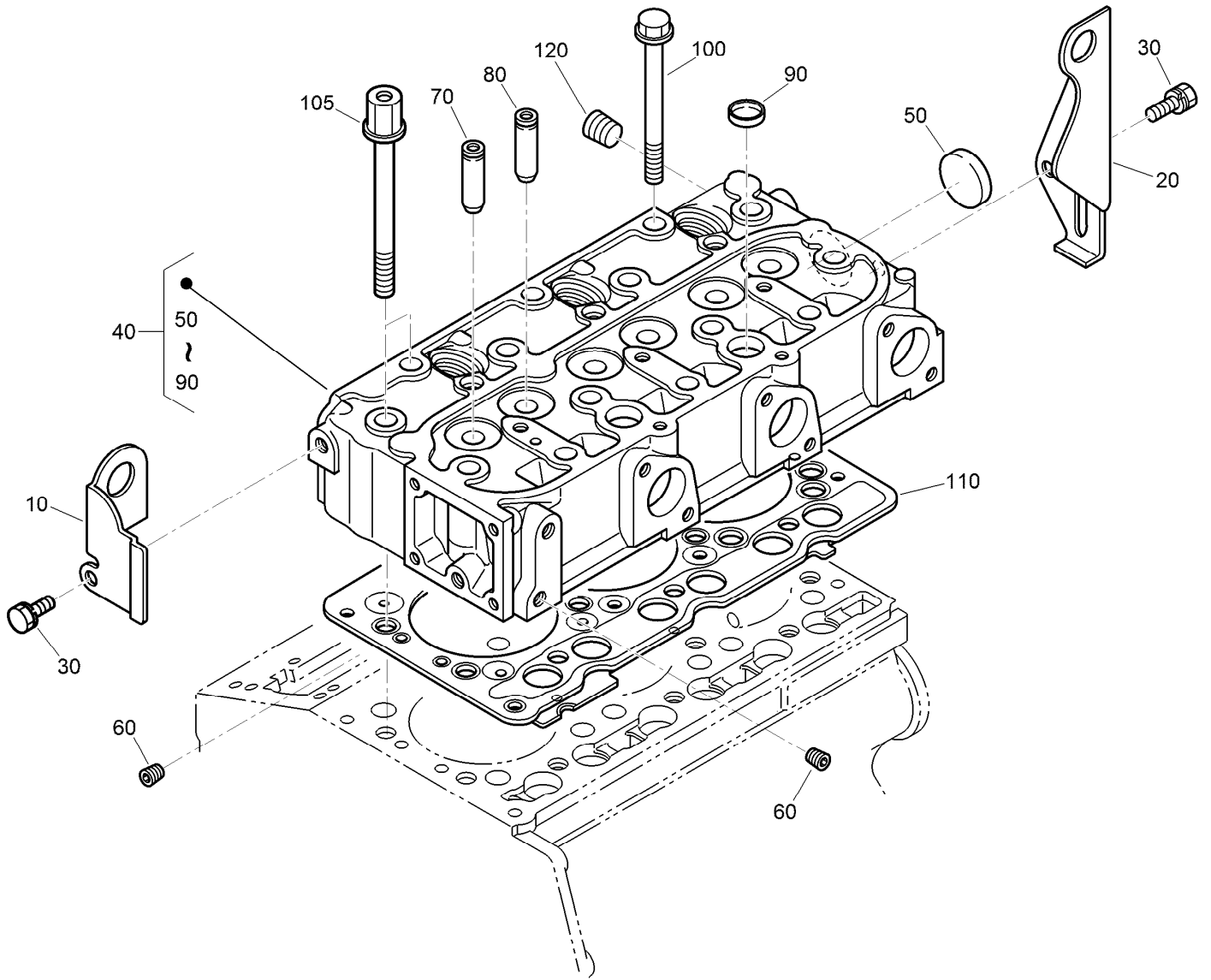
Crankcase Assembly

| <i>Ref.</i> | <i>Part Number</i> | <i>Qty.</i> | <i>Description</i> | <i>Ref.</i> | <i>Part Number</i> | <i>Qty.</i> | <i>Description</i> |
|-------------|--------------------|-------------|--------------------|-------------|--------------------|-------------|------------------------|
| 10 | 115-3443 | 1 | Crankcase ASM | 130 | 98-9387 | 2 | Pin-Pipe |
| 20 | 98-9398 | 4 | Cap-Sealing | 140 | 98-9539 | 1 | Pin-Pipe |
| 30 | 98-7539 | 1 | Cap-Sealing | 150 | 98-9599 | 1 | Plug |
| 40 | 98-9687 | 3 | Plug | 160 | 98-9630 | 1 | Pin-Spring, Start |
| 50 | 105-3779 | 1 | Plug | 170 | 98-9675 | 1 | Plug |
| 60 | 98-9597 | 3 | Plug | 180 | 98-9656 | 1 | Bushing-Governor, Gear |
| 70 | 98-7487 | 2 | Plug | 190 | 120-2559 | 1 | Plug |
| 80 | 98-9379 | 3 | Plug-Expansion | 200 | 98-7428 | 1 | Gasket |
| 90 | 98-9668 | 1 | Plug-Expansion | 210 | 99-3447 | 1 | Plug |
| 100 | 98-9375 | 2 | Pin-Straight | 220 | 106-7056 | 1 | Gasket |
| 110 | 98-9377 | 2 | Pin-Straight | 230 | 98-9416 | 1 | Switch-Oil |
| 120 | 98-9376 | 2 | Pin-Straight | | | | |



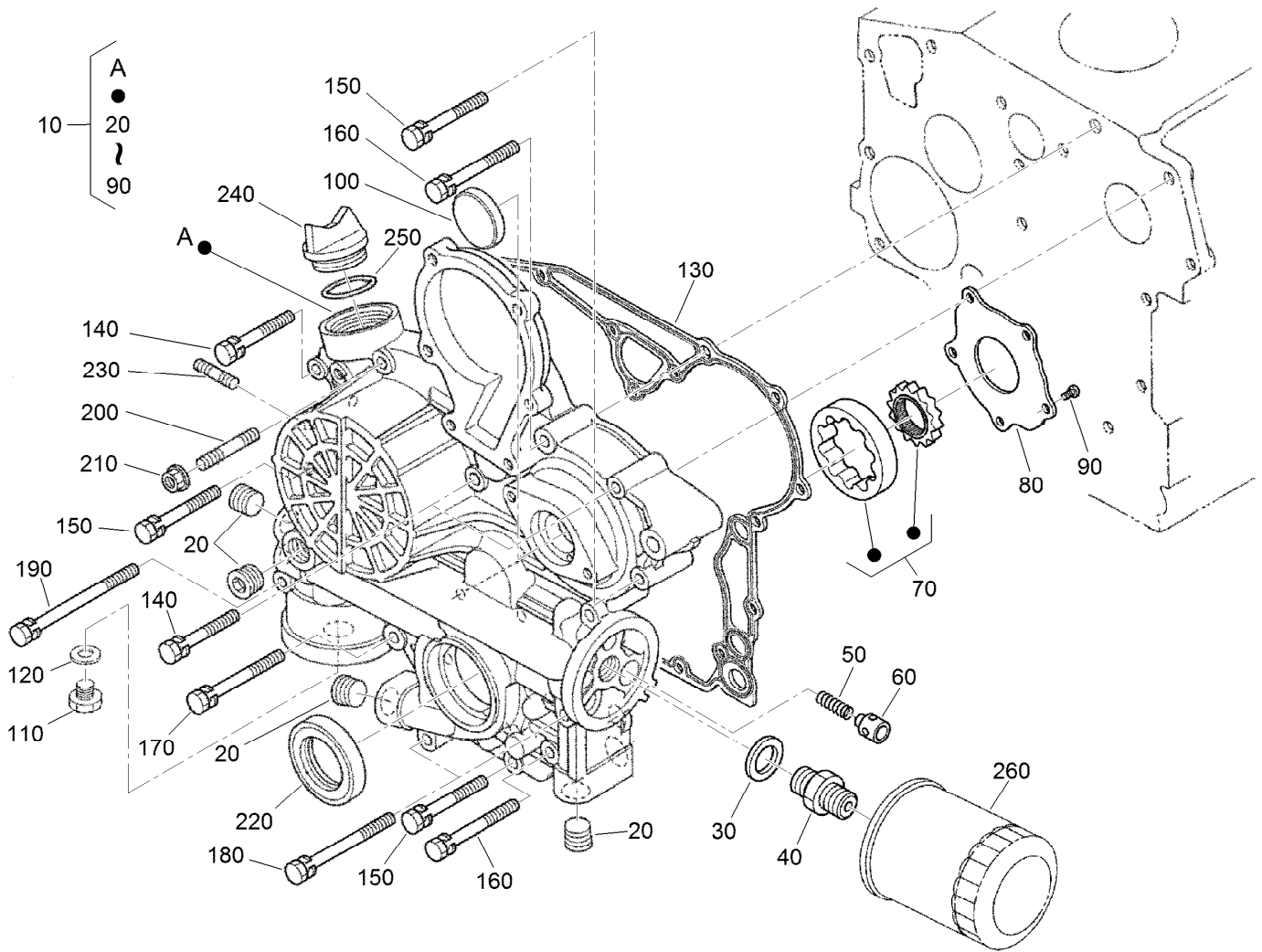
Oil Pan and Dipstick Assembly

| Ref. | Part Number | Qty. | Description |
|------|-------------|------|---------------------|
| 10 | 98-9685 | 1 | Pan-Oil |
| 30 | 98-9351 | 20 | Bolt |
| 35 | 98-9351 | 2 | Bolt |
| 40 | 114-8151 | 1 | Plug-Drain |
| 50 | 98-7524 | 1 | Gasket |
| 60 | 108-1401 | 1 | Base-Filter |
| 70 | 98-7526 | 1 | Bolt |
| 80 | 105-3776 | 1 | O-Ring |
| 90 | 98-9670 | 1 | Gauge-Oil |
| 100 | 98-9672 | 1 | Oil Gauge Guide ASM |
| 110 | 98-9722 | 1 | O-Ring |
| 120 | 100-9195 | 1 | Bolt |
| 130 | 110-3720 | 1 | Plug-Gauge, Oil |



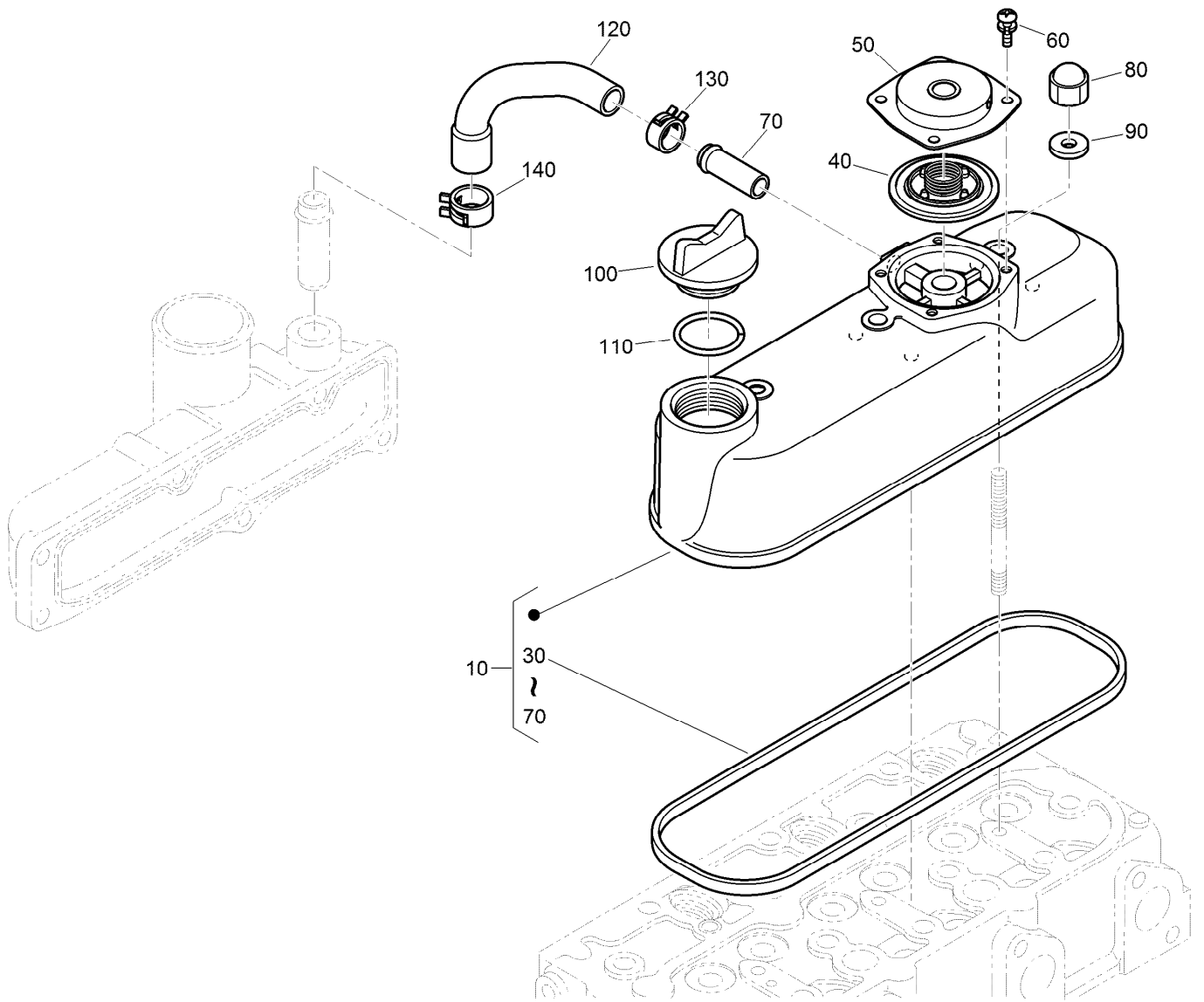
Cylinder Head Assembly

| Ref. | Part Number | Qty. | Description |
|------|-------------|------|-----------------------|
| 10 | 130-1231 | 1 | Hook-Engine |
| 20 | 98-9478 | 1 | Hook-Engine |
| 30 | 100-9195 | 2 | Bolt |
| 40 | 138-6997 | 1 | Cylinder Head ASM |
| 50 | 105-3705 | 1 | Cap-Sealing |
| 60 | 98-9687 | 2 | Plug |
| 70 | 107-9066 | 3 | Guide-Valve, Inlet |
| 80 | 107-9067 | 3 | Guide-Valve, Exhaust |
| 90 | 98-9389 | 2 | Cap-Sealing |
| 100 | 98-9479 | 12 | Bolt-Head, Cylinder |
| 105 | 98-9647 | 2 | Bolt-Head, Cylinder |
| 110 | 108-6573 | 1 | Gasket-Head, Cylinder |
| 120 | 98-9444 | 1 | Plug |



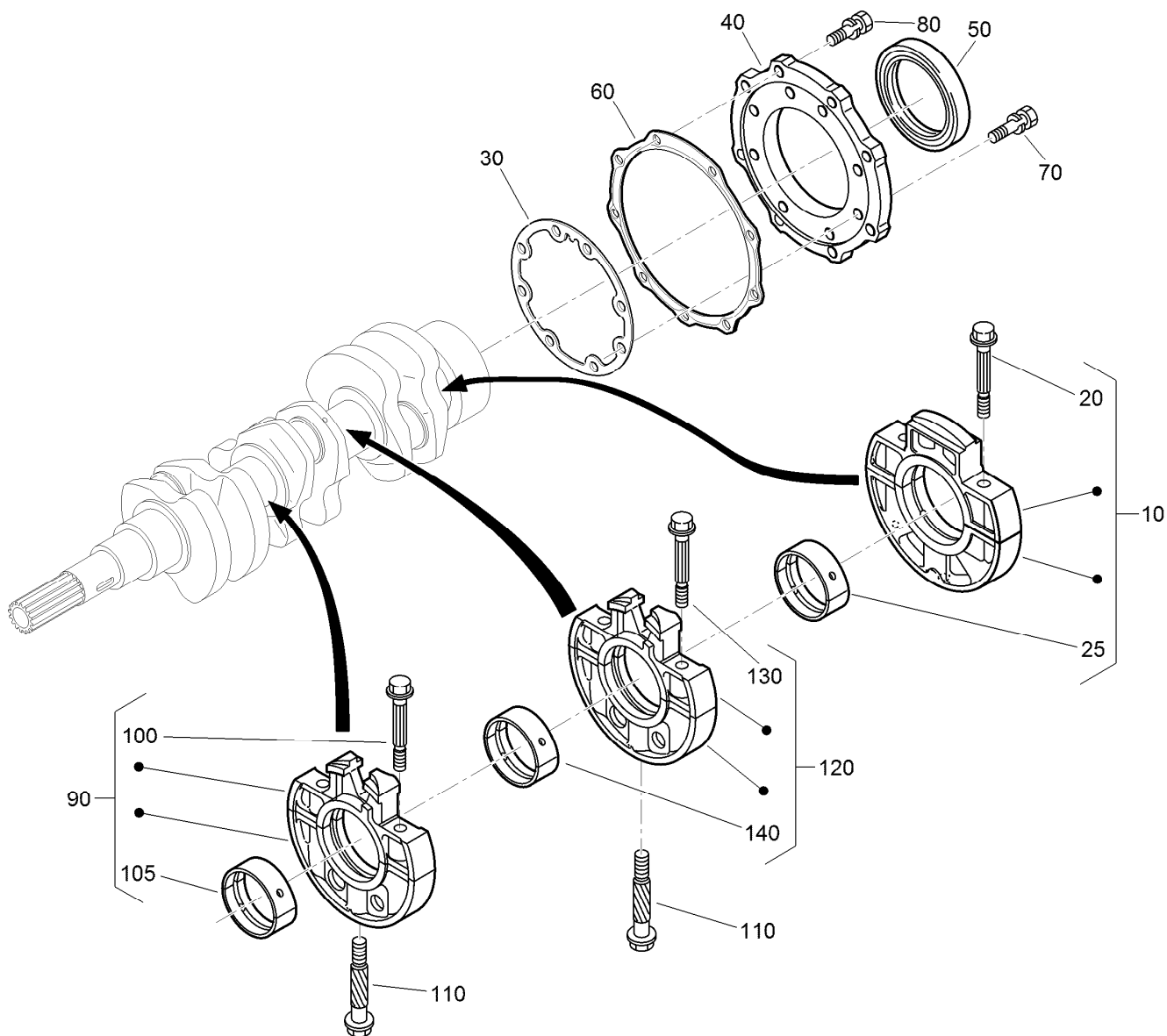
Gear Case and Oil Filter Cartridge Assembly

| Ref. | Part Number | Qty. | Description | Ref. | Part Number | Qty. | Description |
|------|-------------|------|-------------------|------|-------------|------|------------------|
| 10 | 115-3442 | 1 | Comp Gear Case | 140 | 100-1765 | 3 | Bolt |
| 20 | 127-0425 | 5 | Plug | 150 | 125-9063 | 4 | Bolt-Sems |
| 30 | 98-7562 | 1 | Washer-Plain | 160 | 98-9356 | 2 | Bolt |
| 40 | 98-9388 | 1 | Joint-Pipe | 170 | 98-9437 | 1 | Bolt |
| 50 | 130-1511 | 1 | Spring | 180 | 99-3510 | 2 | Bolt |
| 60 | 130-1510 | 1 | Valve-Relief | 190 | 99-3511 | 1 | Bolt |
| 70 | 130-1508 | 1 | Rotor ASM | 200 | 105-3709 | 1 | Stud |
| 80 | 130-1509 | 1 | Cover-Pump, Oil | 210 | 100-2203 | 1 | Nut-Flange |
| 90 | 130-1164 | 5 | Screw-Binding | 220 | 119-8038 | 1 | Seal-Oil |
| 100 | 99-3515 | 1 | Plug-Gearcase | 230 | 105-3710 | 2 | Stud |
| 110 | 99-3450 | 1 | Plug | 240 | 107-9075 | 1 | Plug-Filler, Oil |
| 120 | 99-3451 | 1 | Plug-Packing | 250 | 99-3446 | 1 | O-Ring |
| 130 | 98-9633 | 1 | Gasket-Case, Gear | 260 | 127-0511 | 1 | Filter-Oil |



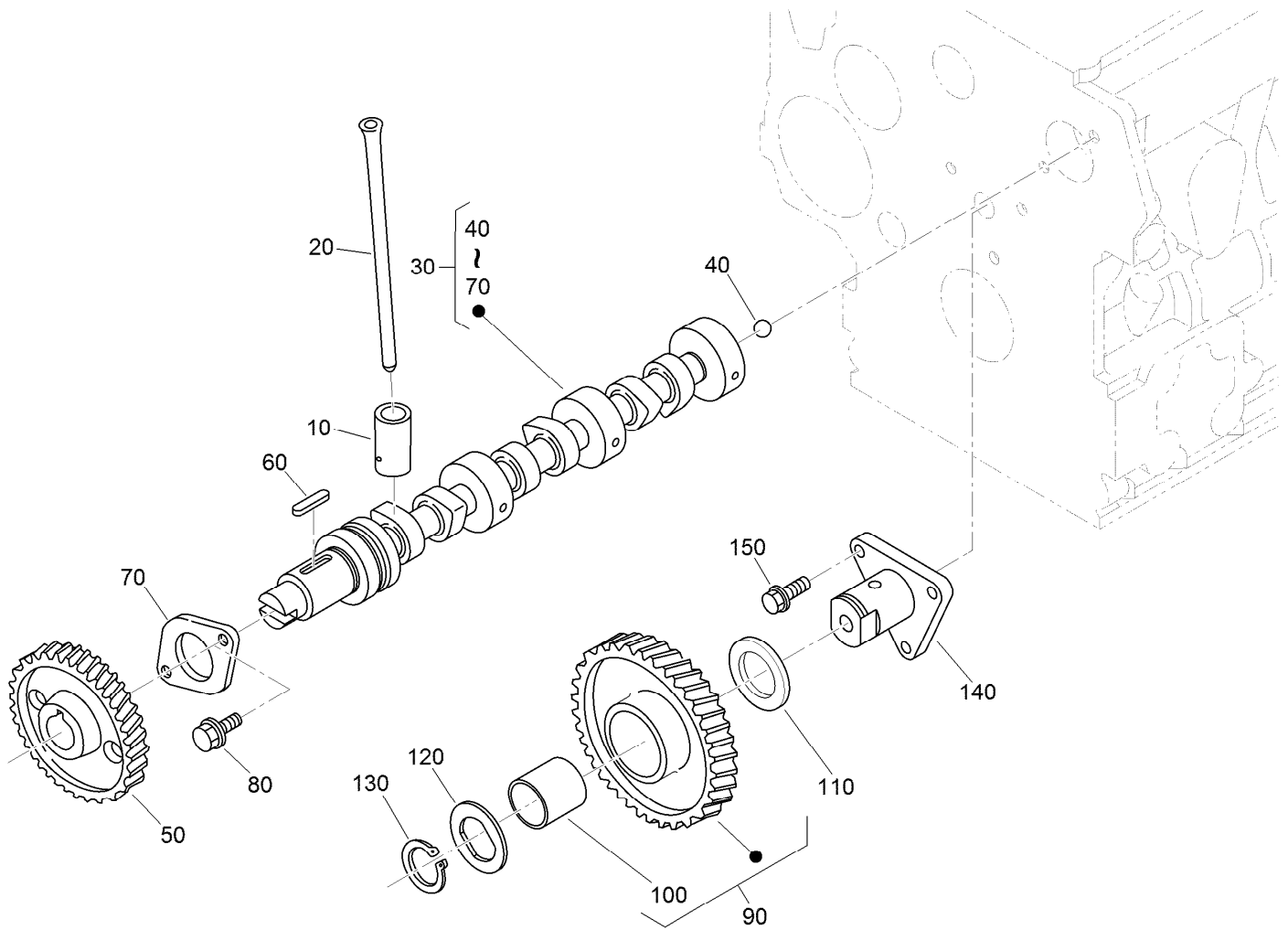
Cylinder Head Cover Assembly

| <i>Ref.</i> | <i>Part Number</i> | <i>Qty.</i> | <i>Description</i> |
|-------------|--------------------|-------------|-------------------------|
| 10 | 115-3446 | 1 | Cylinder Head Cover ASM |
| 30 | 98-9615 | 1 | Gasket-Cover, Head |
| 40 | 110-3715 | 1 | Valve-Breather |
| 50 | 110-3714 | 1 | Cover-Breather |
| 60 | 98-9364 | 4 | Screw (With Washer) |
| 70 | 98-7766 | 1 | Pipe-Return, Water |
| 80 | 98-9455 | 3 | Nut-Cap |
| 90 | 98-9454 | 3 | Gasket |
| 100 | 107-9075 | 1 | Plug-Filler, Oil |
| 110 | 99-3446 | 1 | O-Ring |
| 120 | 107-7836 | 1 | Tube-Breather |
| 130 | 108-2859 | 1 | Clamp-Hose |
| 140 | 108-2860 | 1 | Clamp-Hose |



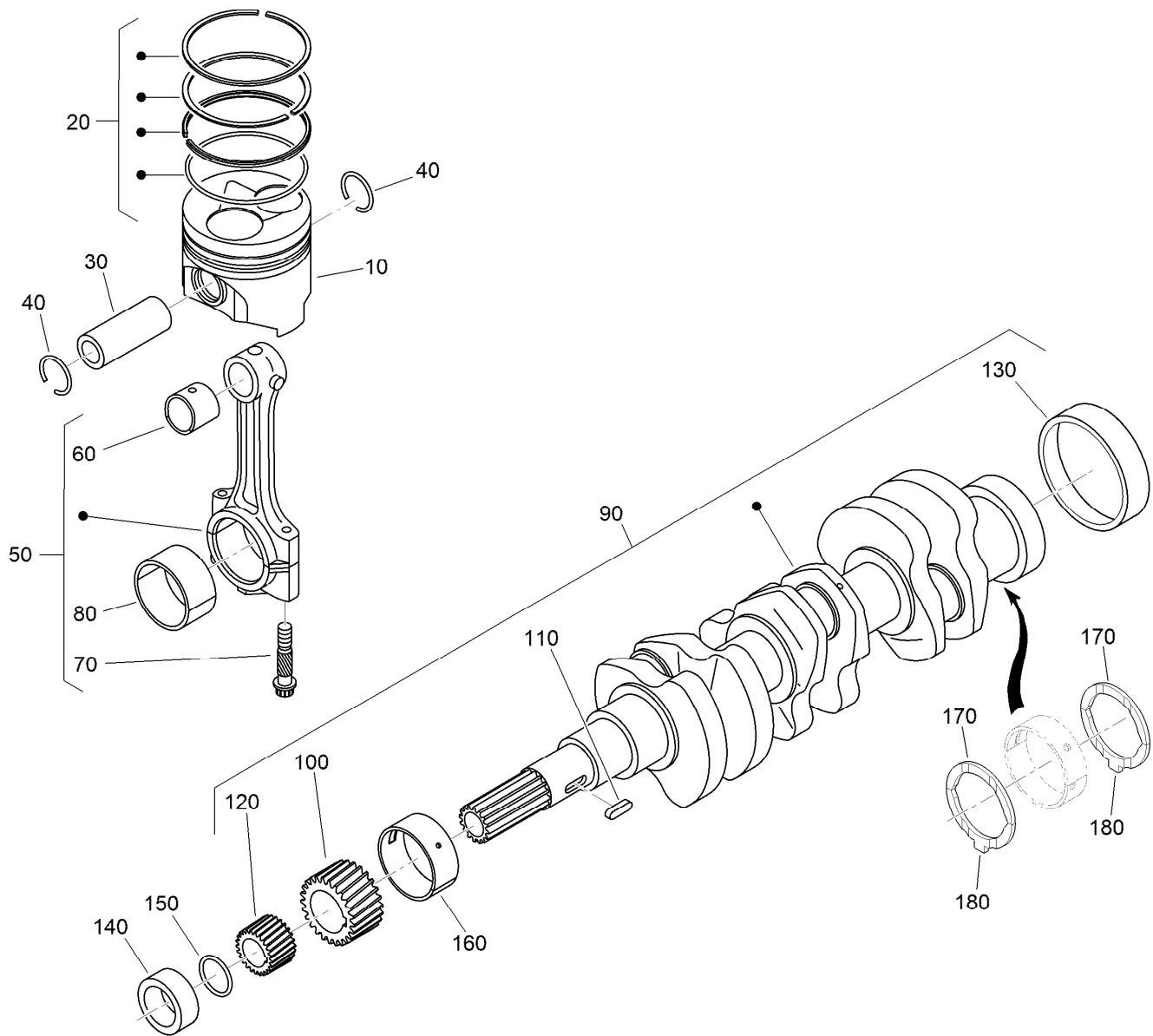
Main Bearing Case Assembly

| <i>Ref.</i> | <i>Part Number</i> | <i>Qty.</i> | <i>Description</i> | <i>Ref.</i> | <i>Part Number</i> | <i>Qty.</i> | <i>Description</i> |
|-------------|--------------------|-------------|---------------------------|-------------|--------------------|-------------|----------------------------|
| 10 | 112-7026 | 1 | Wheel Bearing Case ASM | 90 | 115-4106 | 1 | Main Bearing Case ASM |
| 20 | 98-9484 | 2 | Bolt-Case, Bearing | 100 | 98-9484 | 2 | Bolt-Case, Bearing |
| 25 | 115-4121 | 1 | Metal-Crankshaft (STD) | 105 | 98-9524 | 1 | Metal-Crankshaft (STD Set) |
| 25 | 112-7039 | 1 | Metal-Crankshaft (0.2Mm) | 105 | 127-0433 | 1 | Metal-Crankshaft (-0.2MM) |
| 25 | 112-7040 | 1 | Metal-Crankshaft (-0.4Mm) | 105 | 98-9531 | 1 | Bearing-Main (0.4MM) |
| 30 | 131-6554 | 1 | Gasket-Case, Bearing | 110 | 98-9485 | 2 | Bolt-Case, Bearing |
| 40 | 112-7046 | 1 | Cover-Case, Bearing | 120 | 115-4107 | 1 | Main Bearing Case ASM |
| 50 | 112-0180 | 1 | Seal-Oil | 130 | 98-9484 | 2 | Bolt-Case, Bearing |
| 60 | 112-7037 | 1 | Gasket-Cover, Case | 140 | 98-9524 | 1 | Metal-Crankshaft (STD Set) |
| 70 | 127-0441 | 8 | Bolt | 140 | 127-0433 | 1 | Metal-Crankshaft (-0.2MM) |
| 80 | 127-0442 | 9 | Bolt | 140 | 98-9531 | 1 | Bearing-Main (0.4MM) |



Camshaft and Idle Gear Shaft Assembly

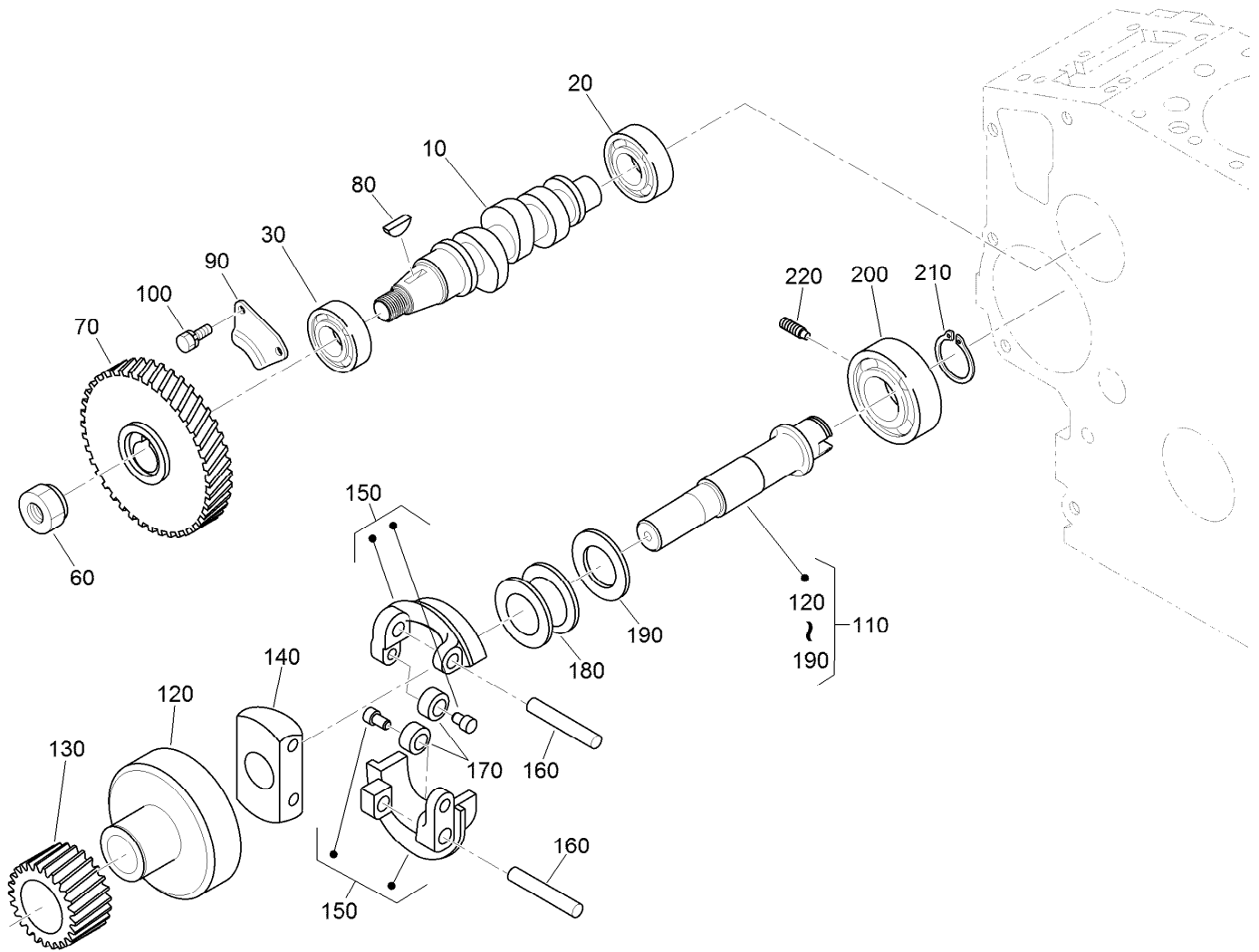
| Ref. | Part Number | Qty. | Description |
|------|-------------|------|--------------------|
| 10 | 112-0185 | 6 | Tappet |
| 20 | 127-0421 | 6 | Rod-Push |
| 30 | 130-1505 | 1 | Camshaft ASM |
| 40 | 110-3729 | 1 | Ball |
| 50 | 98-9512 | 1 | Gear-Cam |
| 60 | 98-9378 | 1 | Key-Feather |
| 70 | 98-9510 | 1 | Stopper-Camshaft |
| 80 | 98-7692 | 2 | Bolt |
| 90 | 117-7584 | 1 | Idler Gear ASM |
| 100 | 117-7585 | 1 | Bushing-Gear, Idle |
| 110 | 98-9535 | 1 | Collar-Gear, Idle |
| 120 | 98-9536 | 1 | Collar-Gear, Idle |
| 130 | 98-9534 | 1 | Circlip-Gear, Idle |
| 140 | 98-9533 | 1 | Shaft-Gear, Idle |
| 150 | 98-7692 | 3 | Bolt |



Piston and Crankshaft Assembly

| Ref. | Part Number | Qty. | Description |
|------|-------------|------|---------------------------|
| 10 | 130-1546 | 3 | Piston (STD) |
| 10 | 130-1549 | 3 | Piston (+0.50MM) |
| 20 | 130-1506 | 3 | Piston Ring ASM (STD) |
| 20 | 130-1507 | 3 | Piston Ring ASM (+0.50MM) |
| 30 | 98-9513 | 3 | Pin-Piston |
| 40 | 98-9514 | 6 | Circlip-Pin, Piston |
| 50 | 117-7586 | 3 | Connecting Rod ASM |
| 60 | 115-3014 | 3 | Bushing-Pin, Piston |
| 70 | 98-9517 | 6 | Bolt-Rod, Connecting |
| 80 | 98-9553 | 3 | Bearing-Rod (STD) |
| 80 | 98-9519 | 3 | Bearing-Rod (-0.2MM) |
| 80 | 117-7588 | 3 | Metal-Crankpin (-0.4MM) |
| 90 | 130-1375 | 1 | Crankshaft ASM |
| 100 | 117-7561 | 1 | Gear-Crankshaft |

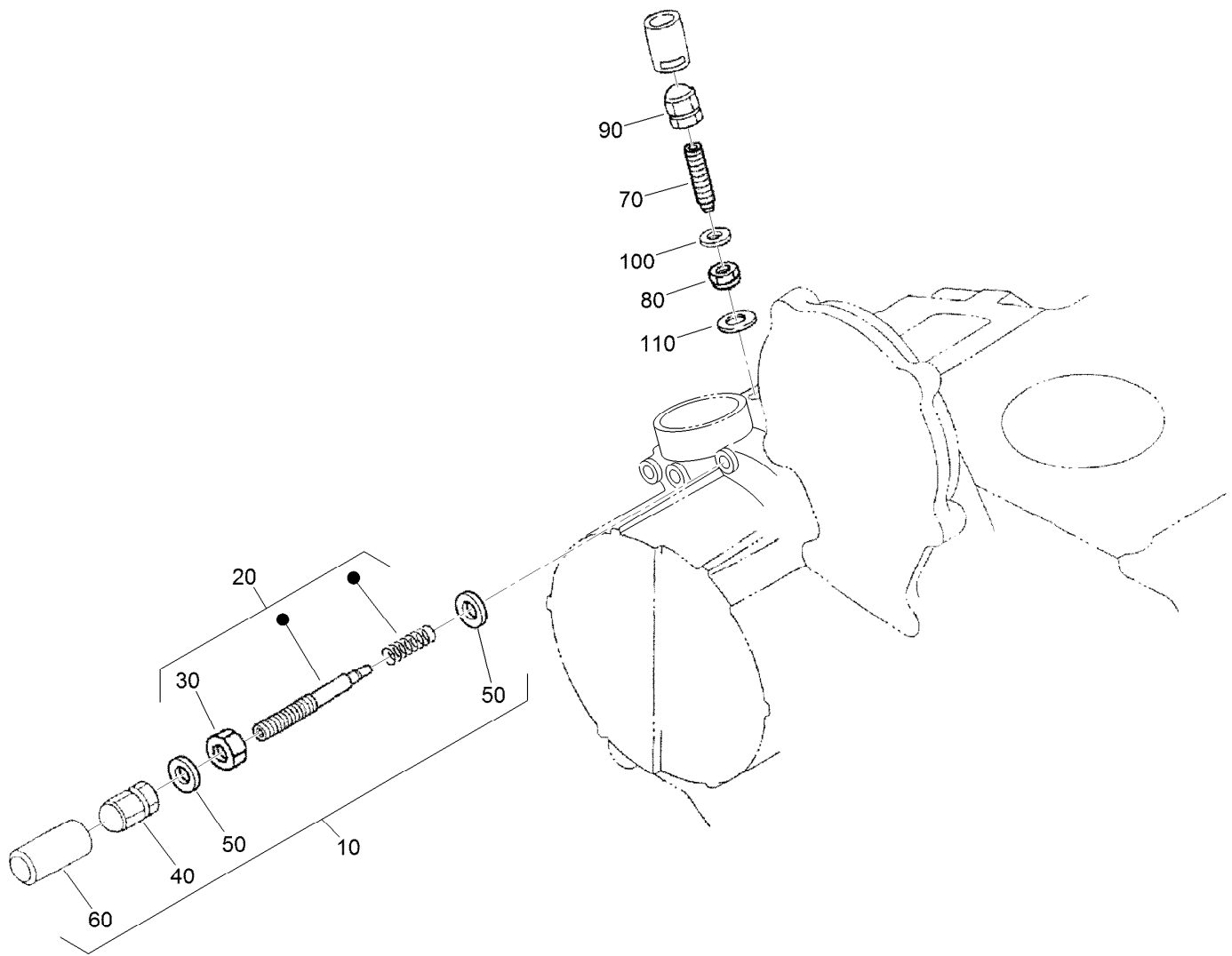
| Ref. | Part Number | Qty. | Description |
|------|-------------|------|---------------------------|
| 110 | 98-9666 | 1 | Key |
| 120 | 127-0445 | 1 | Gear-Drive, Oil Pump |
| 130 | 98-9522 | 1 | Sleeve-Crankshaft |
| 140 | 127-0444 | 1 | Collar-Crankshaft |
| 150 | 105-3783 | 1 | O-Ring |
| 160 | 112-7005 | 1 | Bearing-Main (STD) |
| 160 | 98-9528 | 1 | Bearing-Main (-0.2MM) |
| 160 | 127-0432 | 1 | Metal-Crankshaft (-0.4MM) |
| 170 | 98-9413 | 2 | Bearing-Thrust (STD) |
| 170 | 127-0416 | 2 | Metal-Side (+0.2Mm) |
| 170 | 127-0417 | 2 | Metal-Side (+0.40Mm) |
| 180 | 98-9688 | 2 | Bearing-Thrust (STD) |
| 180 | 127-0437 | 2 | Metal-Side (+0.2MM) |
| 180 | 127-0438 | 2 | Metal-Side (+0.40MM) |



Fuel Camshaft and Governor Shaft Assembly

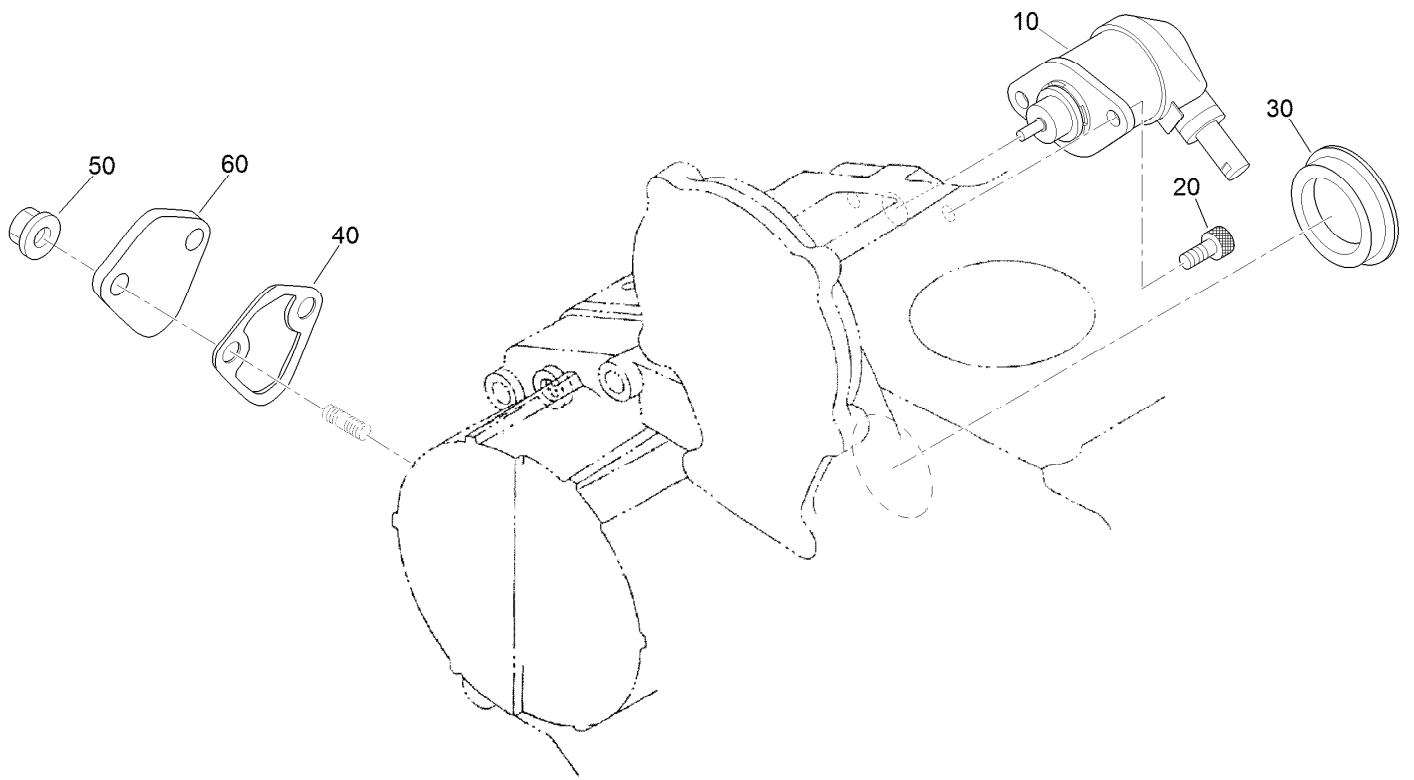
| <i>Ref.</i> | <i>Part Number</i> | <i>Qty.</i> | <i>Description</i> |
|-------------|--------------------|-------------|------------------------|
| 10 | 98-9459 | 1 | Camshaft-Fuel |
| 20 | 107-9077 | 1 | Bearing-Ball |
| 30 | 107-9078 | 1 | Bearing-Ball |
| 60 | 130-1512 | 1 | Nut |
| 70 | 130-1378 | 1 | Gear-Injection Pump |
| 80 | 98-9595 | 1 | Key-Woodruff |
| 90 | 98-9511 | 1 | Stopper-Fuel, Camshaft |
| 100 | 98-7692 | 2 | Bolt |
| 110 | 98-9644 | 1 | Governor Shaft ASM |
| 120 | 98-9562 | 1 | Holder-Gear, Governor |

| <i>Ref.</i> | <i>Part Number</i> | <i>Qty.</i> | <i>Description</i> |
|-------------|--------------------|-------------|-------------------------|
| 130 | 98-9673 | 1 | Gear-Governor |
| 140 | 98-9561 | 1 | Holder-Weight, Governor |
| 150 | 130-1240 | 2 | Governor Weight ASM |
| 160 | 98-9560 | 2 | Shaft-Weight, Governor |
| 170 | 98-9692 | 2 | Roller |
| 180 | 98-9563 | 1 | Sleeve-Governor |
| 190 | 98-9564 | 1 | Washer-Thrust |
| 200 | 107-9079 | 1 | Bearing-Ball |
| 210 | 98-9657 | 1 | Circlip-Shaft, Governor |
| 220 | 98-9565 | 1 | Screw-Set |



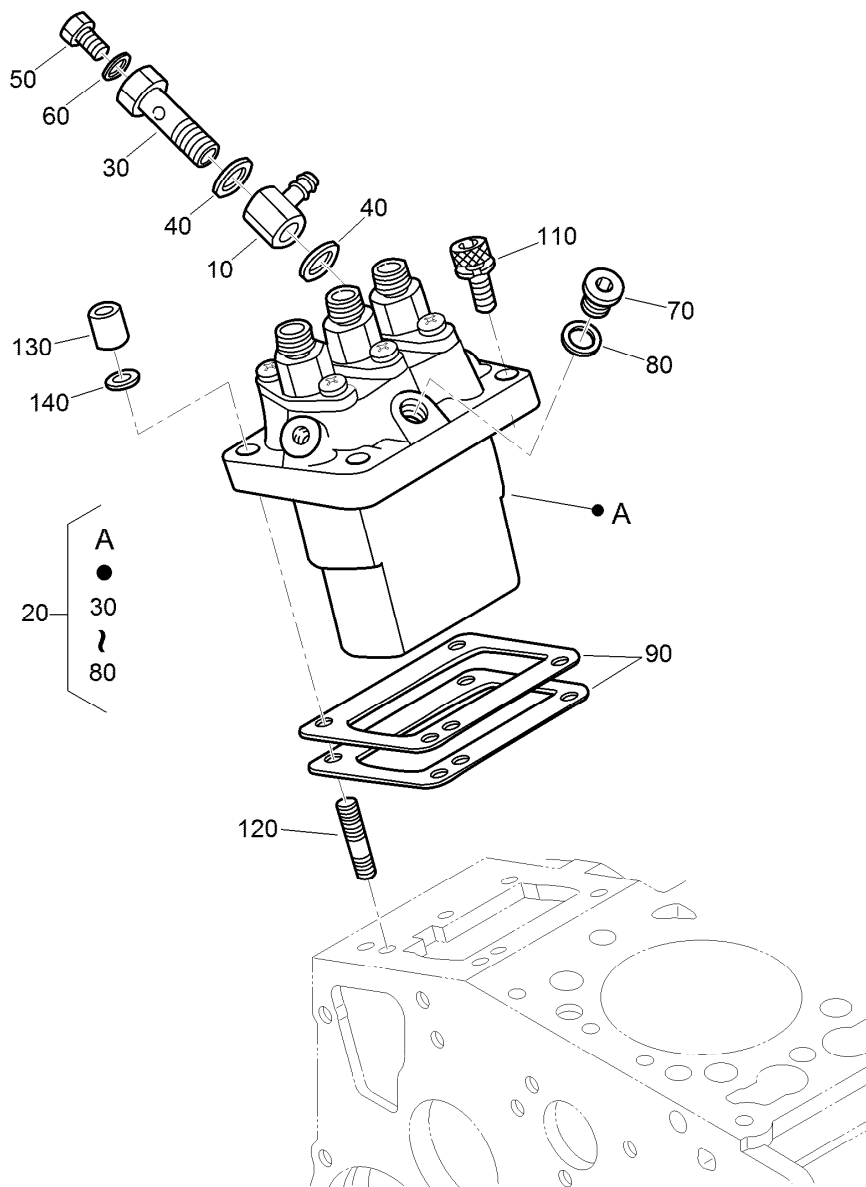
Idle Apparatus Assembly

| <i>Ref.</i> | <i>Part Number</i> | <i>Qty.</i> | <i>Description</i> |
|-------------|--------------------|-------------|--------------------|
| 10 | 107-7838 | 1 | Apparatus-Idling |
| 20 | 130-1253 | 1 | Adjusting Bolt ASM |
| 30 | 98-9439 | 1 | Nut |
| 40 | 112-0181 | 1 | Nut |
| 50 | 98-7654 | 2 | Gasket |
| 60 | 98-7656 | 1 | Cap |
| 70 | 112-7015 | 1 | Bolt-Adjusting |
| 80 | 100-2175 | 1 | Nut-Lock |
| 90 | 112-0181 | 1 | Nut |
| 100 | 98-7654 | 1 | Gasket |
| 110 | 107-9081 | 1 | Gasket |



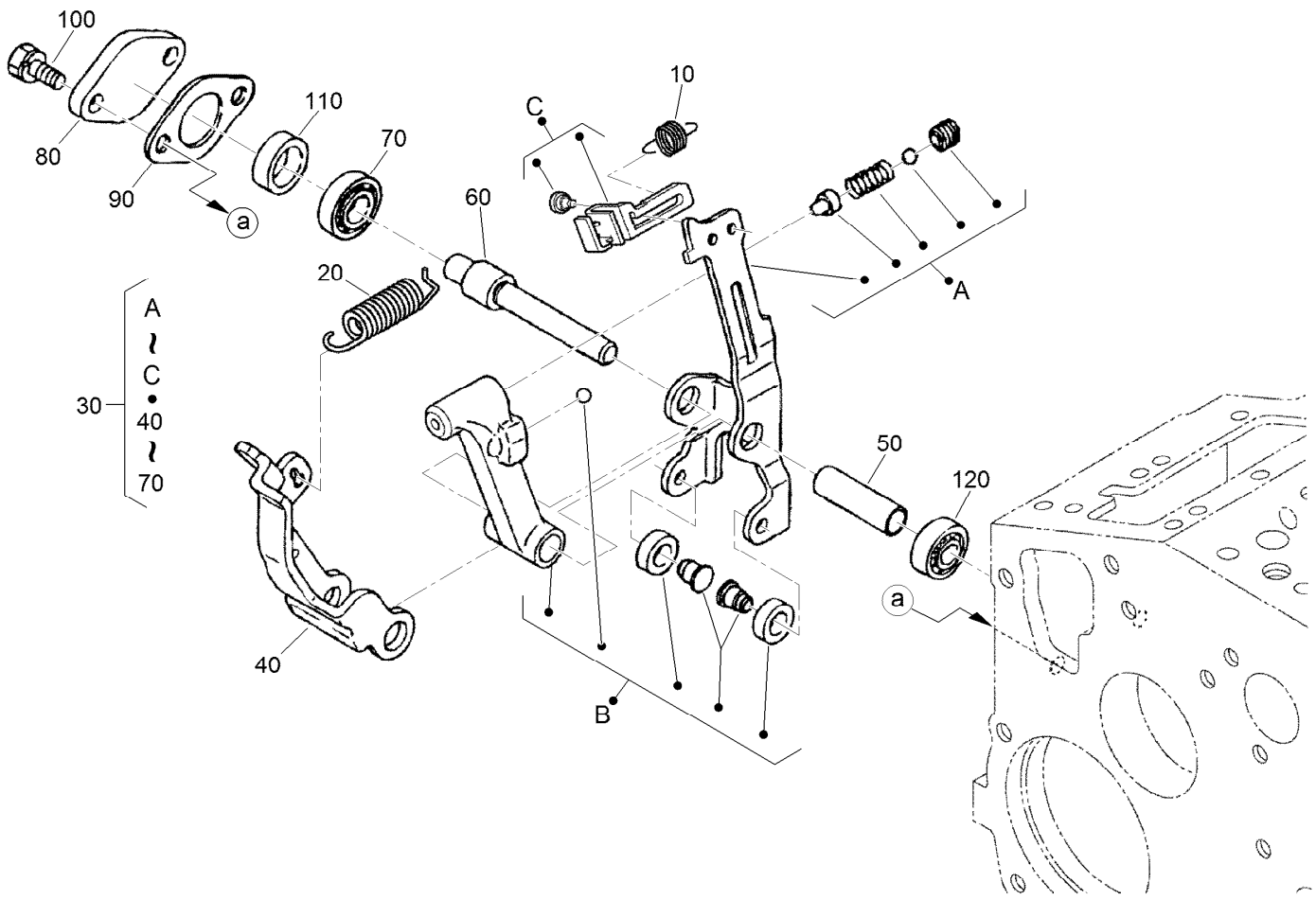
Stop Solenoid and Fuel Pump Cover Assembly

| <i>Ref.</i> | <i>Part Number</i> | <i>Qty.</i> | <i>Description</i> |
|-------------|--------------------|-------------|--------------------|
| 10 | 104-5155 | 1 | Solenoid-Stop |
| 20 | 130-1155 | 2 | Screw-HSH |
| 30 | 99-3514 | 1 | Cover |
| 40 | 117-7562 | 1 | Gasket-Pump, Fuel |
| 50 | 100-2203 | 2 | Nut-Flange |
| 60 | 112-7016 | 1 | Cover-Pump |



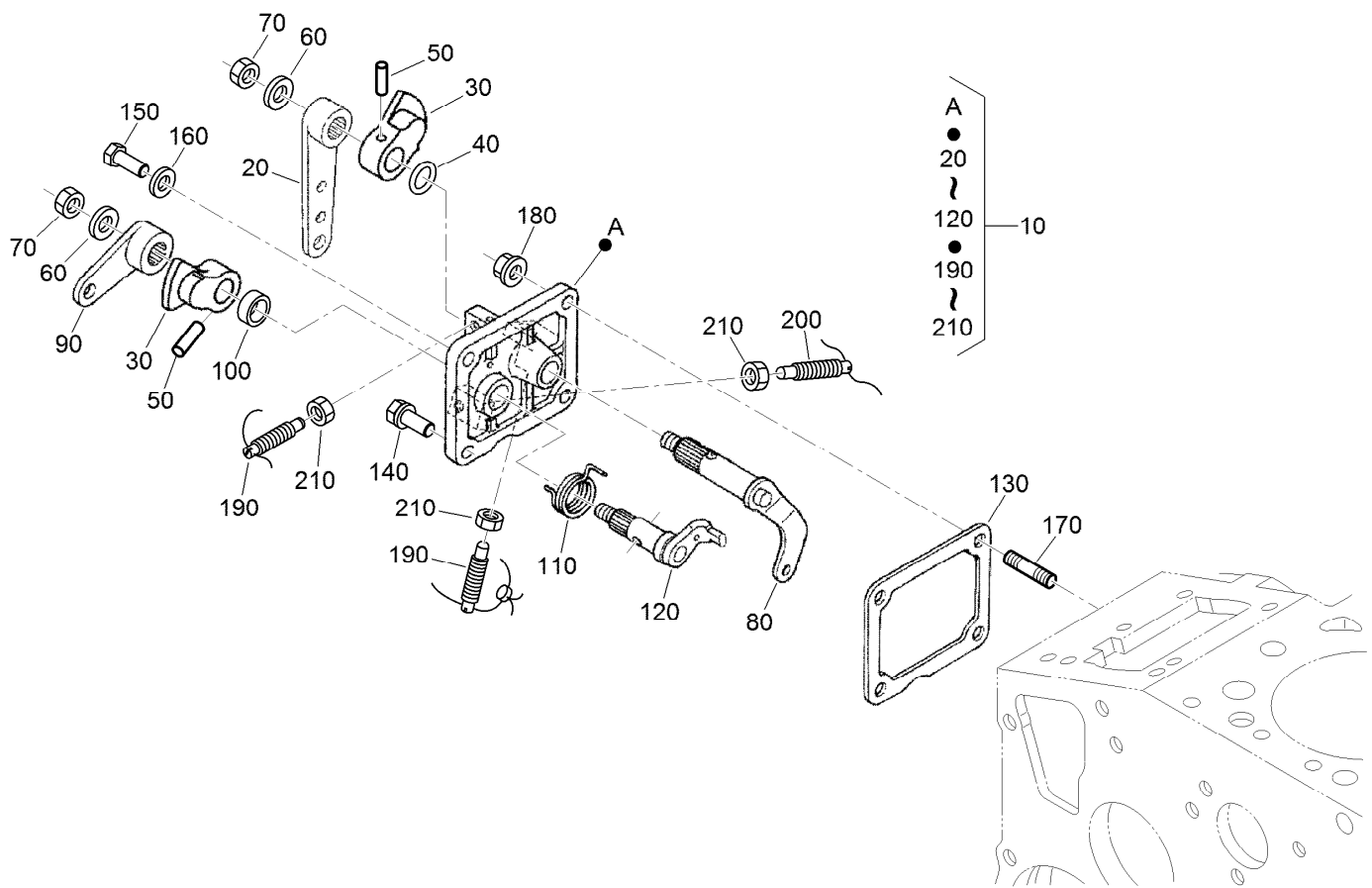
Injection Pump Assembly

| <i>Ref.</i> | <i>Part Number</i> | <i>Qty.</i> | <i>Description</i> | <i>Ref.</i> | <i>Part Number</i> | <i>Qty.</i> | <i>Description</i> |
|-------------|--------------------|-------------|-------------------------|-------------|--------------------|-------------|--------------------------|
| 10 | 98-9596 | 1 | Joint-Eye | 90 | 98-9457 | 1 | Shim-Injection (0.25MM) |
| 20 | 98-9643 | 1 | Injection Pump ASM | 90 | 98-9458 | 1 | Shim-Injection (0.30MM) |
| 30 | 98-9464 | 1 | Bolt-Joint | 90 | 115-3046 | 1 | Shim-Injection (0.35MM) |
| 40 | 98-9445 | 2 | Gasket | 90 | 115-3045 | 1 | Shim-Injection (0.175MM) |
| 50 | 98-9430 | 1 | Screw | 110 | 117-7564 | 2 | Bolt-Hex Soc HD |
| 60 | 98-9446 | 1 | Gasket | 120 | 98-9438 | 2 | Stud |
| 70 | 98-9466 | 1 | Plug | 130 | 98-9440 | 2 | Nut-Cap |
| 80 | 98-9451 | 1 | Gasket | 140 | 98-7699 | 2 | Washer-Spring |
| 90 | 98-9456 | 1 | Shim-Injection (0.20MM) | | | | |



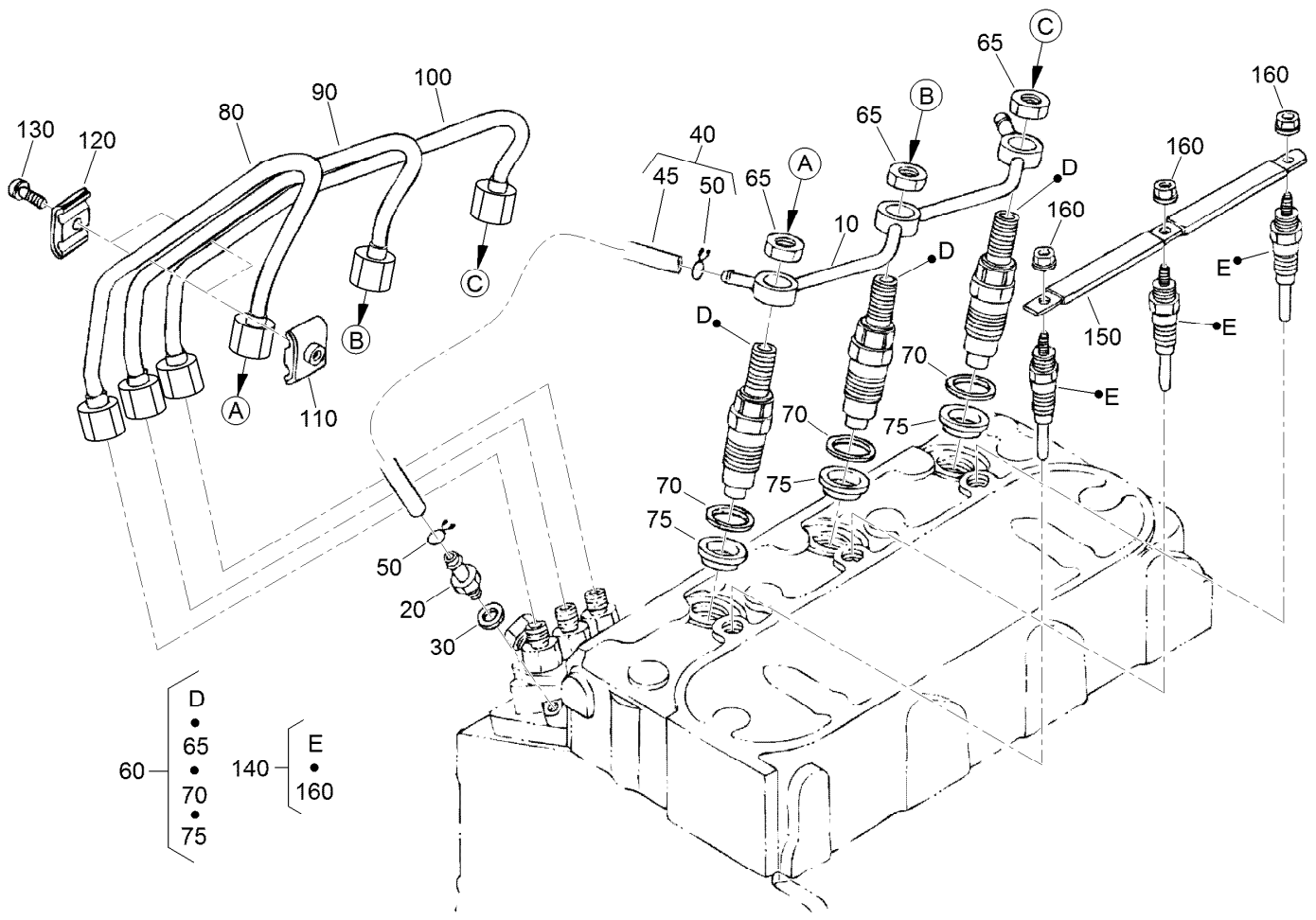
Governor Assembly

| <i>Ref.</i> | <i>Part Number</i> | <i>Qty.</i> | <i>Description</i> |
|-------------|--------------------|-------------|-------------------------|
| 10 | 105-3786 | 1 | Spring-Start |
| 20 | 107-7839 | 1 | Spring-Governor |
| 30 | 107-7840 | 1 | Fork Lever ASM |
| 40 | 107-9084 | 1 | Lever-Fork |
| 50 | 107-9085 | 1 | Shaft-Lever, Fork |
| 60 | 107-9086 | 1 | Shaft-Lever, Fork |
| 70 | 98-9570 | 1 | Bearing-Miniaturize |
| 80 | 115-4122 | 1 | Cover-Shaft, Fork Lever |
| 90 | 98-9682 | 1 | Gasket |
| 100 | 98-9350 | 2 | Bolt |
| 110 | 98-9567 | 1 | Collar |
| 120 | 98-9571 | 1 | Bearing-Miniaturize |



Speed Control Plate Assembly

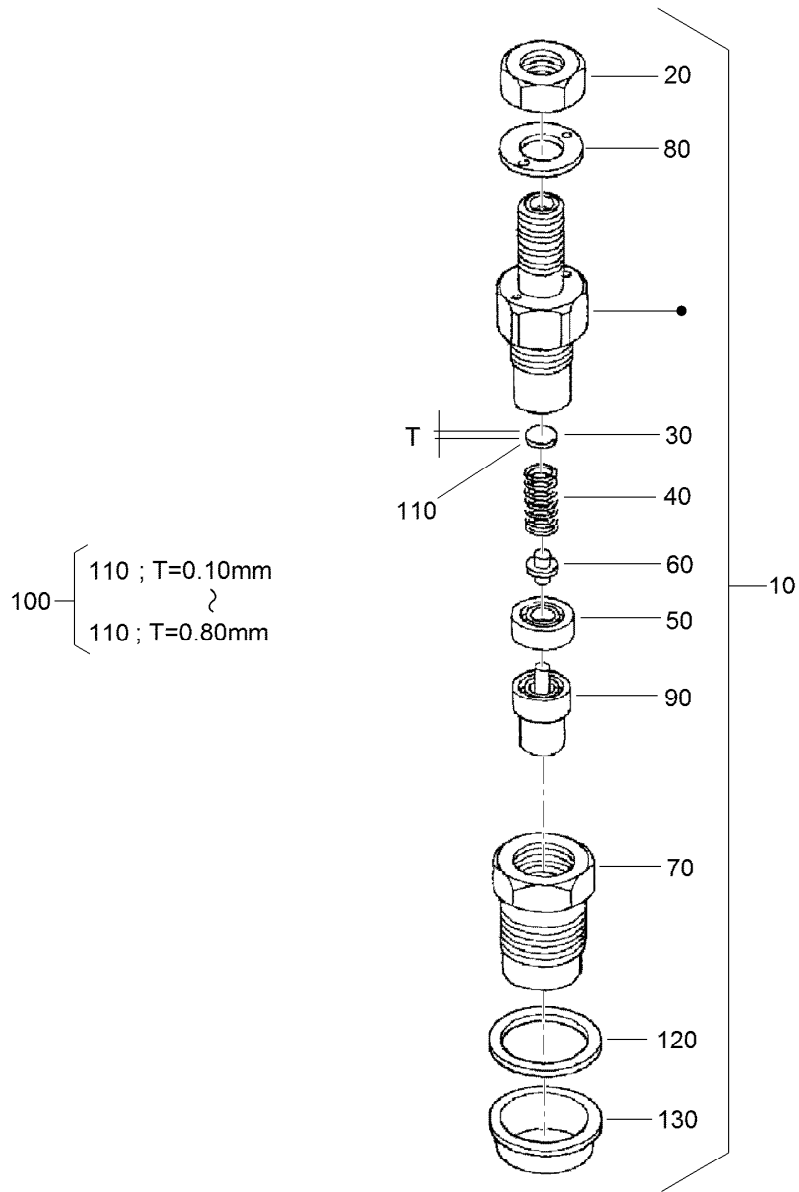
| Ref. | Part Number | Qty. | Description | Ref. | Part Number | Qty. | Description |
|------|-------------|------|----------------------|------|-------------|------|-------------------|
| 10 | 105-3735 | 1 | Control Plate ASM | 120 | 98-9664 | 1 | Shaft-Lever, Stop |
| 20 | 98-9662 | 1 | Lever-Control, Speed | 130 | 98-9637 | 1 | Gasket |
| 30 | 98-9572 | 2 | Lever-Control, Speed | 140 | 98-7692 | 1 | Bolt |
| 40 | 105-3788 | 1 | O-Ring | 150 | 127-0401 | 1 | Bolt-Hex |
| 50 | 98-7602 | 2 | Pin-Spring | 160 | 98-7654 | 1 | Gasket |
| 60 | 98-9594 | 2 | Washer-Plain | 170 | 105-3710 | 2 | Stud |
| 70 | 98-9589 | 2 | Nut | 180 | 100-2203 | 2 | Nut-Flange |
| 80 | 98-9658 | 1 | Governor Lever ASM | 190 | 117-7565 | 2 | Bolt-Adjusting |
| 90 | 98-9663 | 1 | Lever-Stop, Engine | 200 | 117-7566 | 1 | Bolt-Adjusting |
| 100 | 98-7601 | 1 | Seal-Oil | 210 | 98-7572 | 3 | Nut |
| 110 | 98-9472 | 1 | Spring-Return | | | | |



Nozzle Holder and Glow Plug Assembly

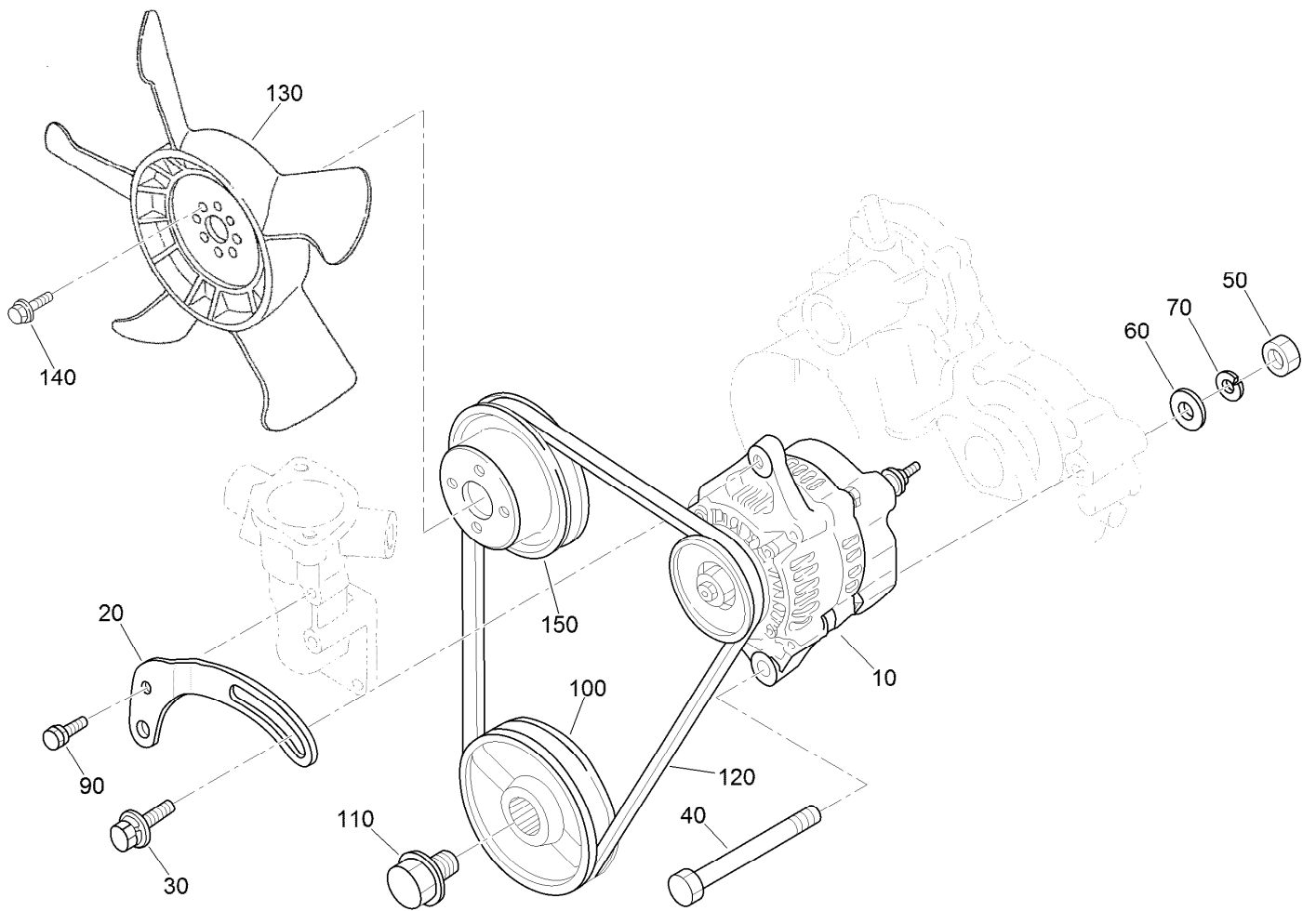
| <i>Ref.</i> | <i>Part Number</i> | <i>Qty.</i> | <i>Description</i> |
|-------------|--------------------|-------------|--------------------|
| 10 | 98-9620 | 1 | Overflow Pipe ASM |
| 20 | 98-9431 | 1 | Screw-Bleeder, Air |
| 30 | 98-7654 | 1 | Gasket |
| 40 | 98-9420 | 1 | Overflow Pipe ASM |
| 45 | 112-0182 | 1 | Pipe-Overflow |
| 50 | 98-7671 | 2 | Clip-Pipe |
| 60 | 115-3018 | 3 | Nozzle Holder Kit |
| 65 | 121-2411 | 3 | Nut |
| 70 | 98-7676 | 3 | Gasket |
| 75 | 98-7677 | 3 | Seal-Heat |

| <i>Ref.</i> | <i>Part Number</i> | <i>Qty.</i> | <i>Description</i> |
|-------------|--------------------|-------------|--------------------|
| 80 | 98-9622 | 1 | Pipe-Injection |
| 90 | 98-9654 | 1 | Pipe-Injection |
| 100 | 98-9655 | 1 | Pipe-Injection |
| 110 | 98-7682 | 2 | Clamp-Pipe |
| 120 | 98-7683 | 2 | Clamp-Pipe |
| 130 | 98-7684 | 2 | Screw (W/Washer) |
| 140 | 130-1411 | 3 | Plug-Glow |
| 150 | 98-9631 | 1 | Cord-Plug, Glow |
| 160 | 99-8377 | 3 | Nut-Flange |



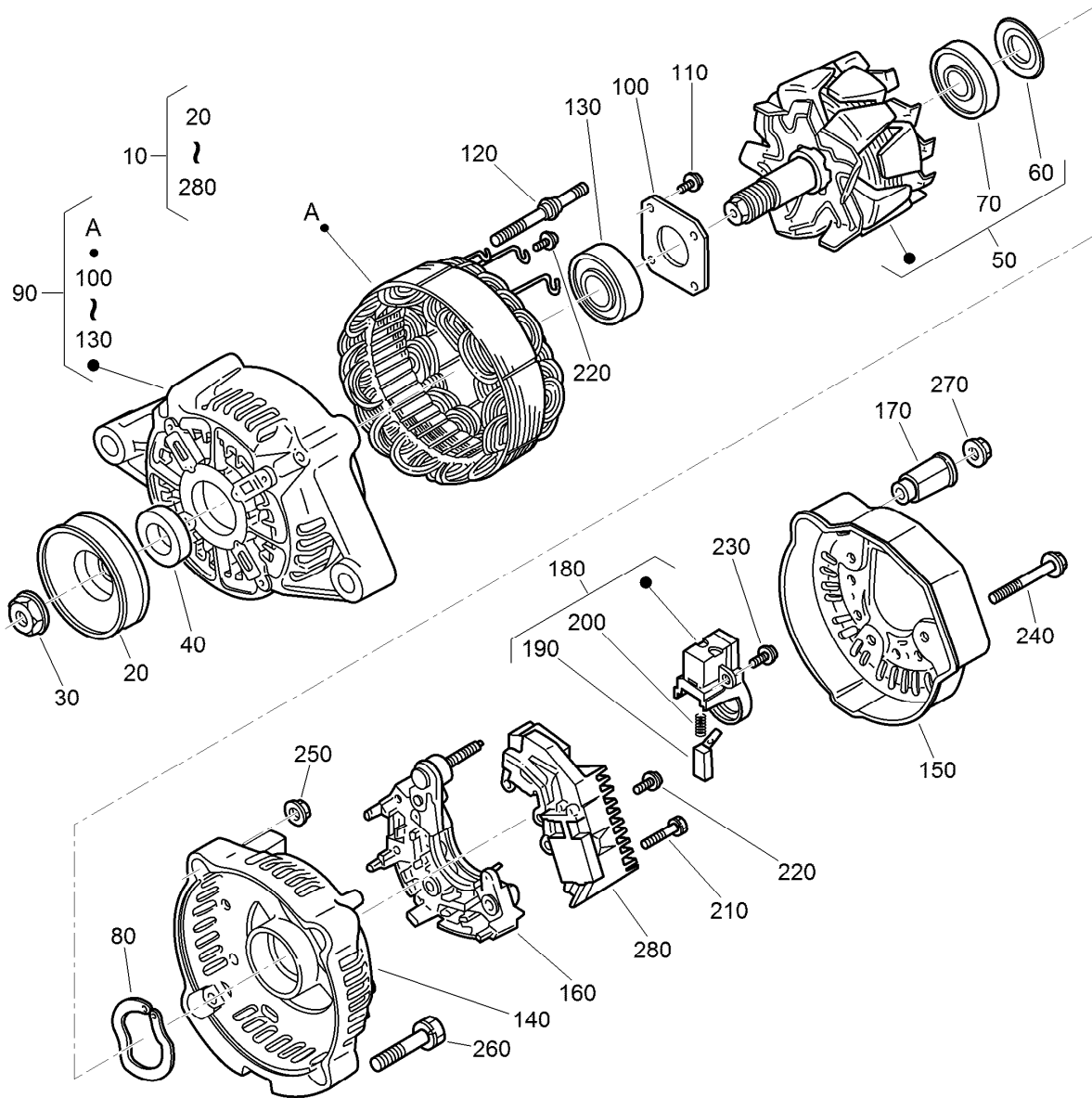
Nozzle Holder Assembly

| Ref. | Part Number | Qty. | Description | Ref. | Part Number | Qty. | Description |
|------|-------------|------|------------------------|------|-------------|------|------------------------|
| 10 | 115-3018 | 3 | Nozzle Holder Kit | 110 | 99-8311 | 3 | Washer-Adjust (0.20MM) |
| 20 | 121-2411 | 3 | Nut | 110 | 99-8312 | 3 | Washer-Adjust (0.30MM) |
| 30 | 99-8302 | 3 | Washer-Adjusting | 110 | 99-8313 | 3 | Washer-Adjust (0.40MM) |
| 40 | 99-8303 | 3 | Spring-Nozzle | 110 | 99-8314 | 3 | Washer-Adjust (0.50MM) |
| 50 | 99-8304 | 3 | Spacer-Distance | 110 | 99-8315 | 3 | Washer-Adjust (0.52MM) |
| 60 | 99-8305 | 3 | Rod-Push | 110 | 99-8316 | 3 | Washer-Adjust (0.54MM) |
| 70 | 99-8306 | 3 | Nut-Nozzle | 110 | 99-8317 | 3 | Washer-Adjust (0.56MM) |
| 80 | 99-8307 | 3 | Washer-Plain | 110 | 99-8318 | 3 | Washer-Adjust (0.58MM) |
| 90 | 115-3020 | 3 | Piece-Nozzle | 110 | 99-8319 | 3 | Washer-Adjust (0.80MM) |
| 100 | 99-8309 | 3 | Adjusting Washer ASM | 120 | 98-7676 | 3 | Gasket |
| 110 | 99-8310 | 3 | Washer-Adjust (0.10MM) | 130 | 98-7677 | 3 | Seal-Heat |



Alternator, Pulley and Fan Assembly

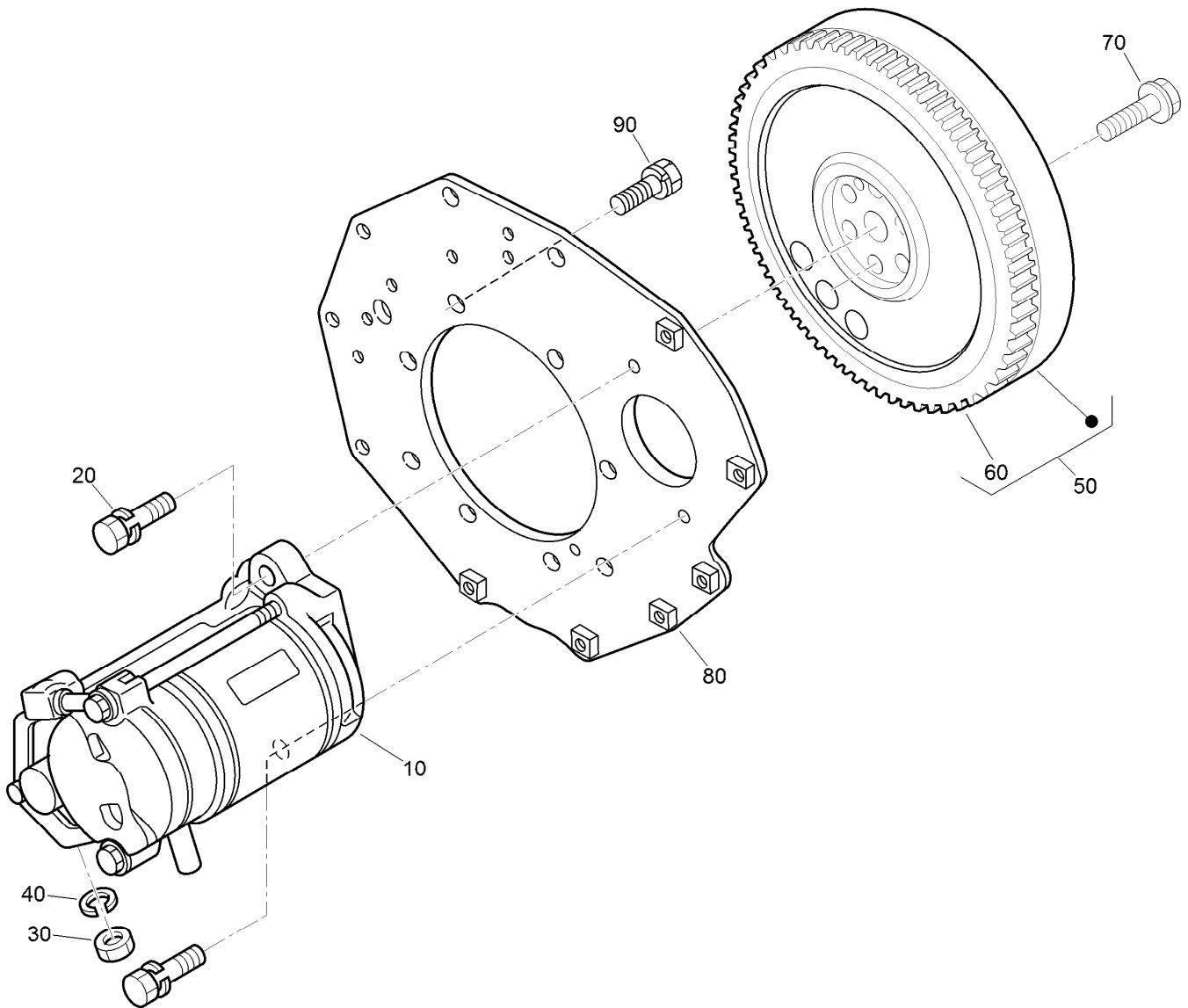
| Ref. | Part Number | Qty. | Description |
|------|-------------|------|-------------------|
| 10 | 131-6557 | 1 | Alternator ASM |
| 20 | 112-7047 | 1 | Stay-Dynamo |
| 30 | 108-7088 | 1 | Bolt |
| 40 | 98-9360 | 1 | Bolt |
| 50 | 98-7737 | 1 | Nut |
| 60 | 98-9366 | 1 | Washer-Plain |
| 70 | 98-7738 | 1 | Washer-Spring |
| 90 | 98-7692 | 1 | Bolt |
| 100 | 99-3456 | 1 | Pulley-Drive, Fan |
| 110 | 98-9585 | 1 | Bolt |
| 120 | 130-1241 | 1 | V Belt |
| 130 | 99-3461 | 1 | Fan |
| 140 | 99-8363 | 4 | Bolt-Flange |
| 150 | 99-3453 | 1 | Pulley-Fan |



Alternator Components Assembly

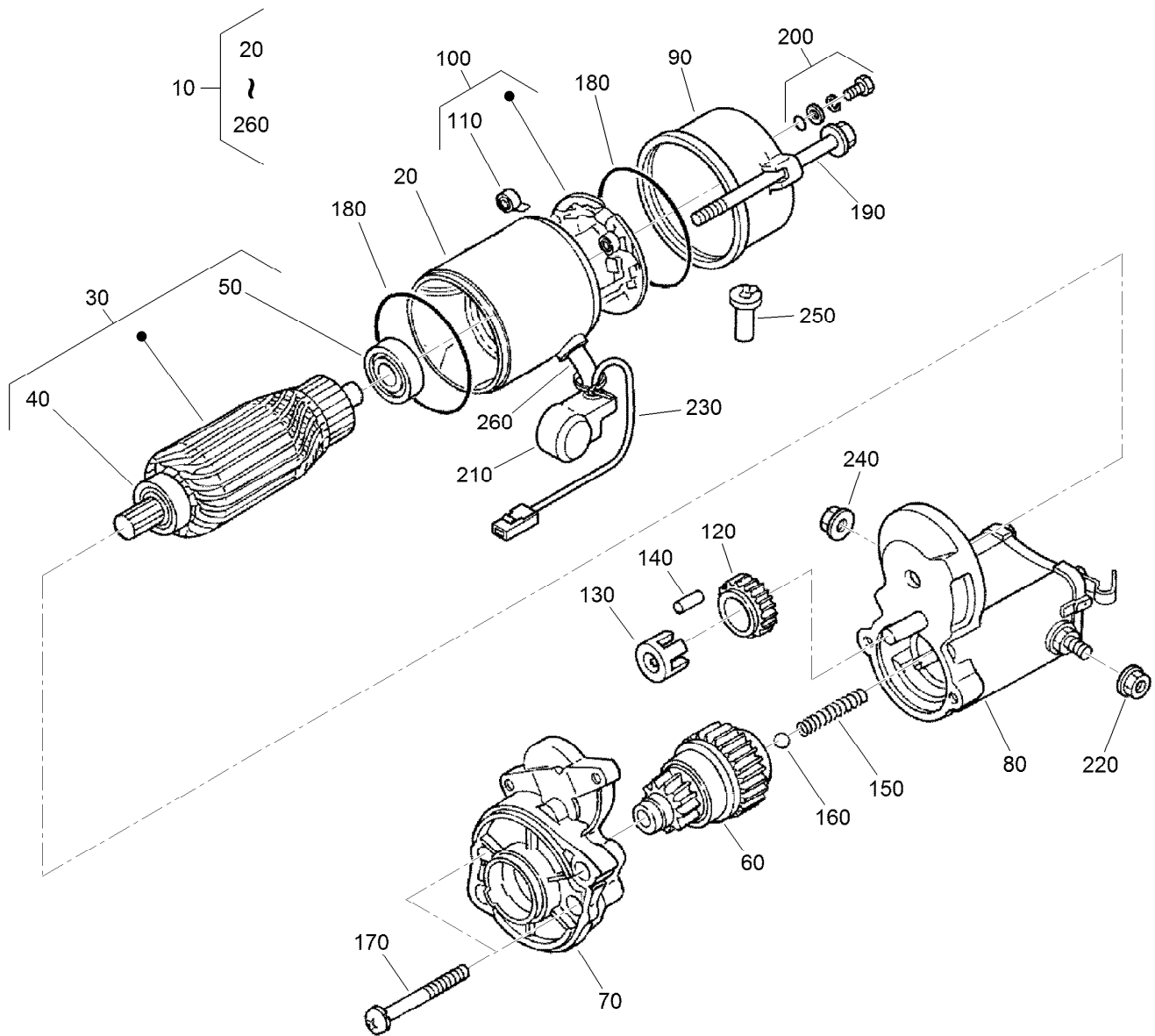
| Ref. | Part Number | Qty. | Description |
|------|-------------|------|---------------------|
| 10 | 131-6557 | 1 | Alternator ASM |
| 20 | 98-9453 | 1 | Pulley-Dynamo |
| 30 | 98-7708 | 1 | Nut |
| 40 | 98-7709 | 1 | Collar |
| 50 | 107-0136 | 1 | Rotor ASM |
| 60 | 98-7711 | 1 | Cover-Bearing |
| 70 | 107-0138 | 1 | Bearing-Ball |
| 80 | 98-7713 | 1 | Washer-Thrust |
| 90 | 107-0139 | 1 | Drive End Frame ASM |
| 100 | 98-7715 | 1 | Plate-Retainer |
| 110 | 98-7716 | 4 | Screw-Head, Round |
| 120 | 98-7717 | 2 | Bolt-Through |
| 130 | 133-2811 | 1 | Bearing |
| 140 | 107-9087 | 1 | Frame-End |

| Ref. | Part Number | Qty. | Description |
|------|-------------|------|--------------------|
| 150 | 107-0140 | 1 | Cover-End |
| 160 | 127-1612 | 1 | Rectifier ASM |
| 170 | 98-7722 | 1 | Bushing-Insulation |
| 180 | 107-0141 | 1 | Brush Holder ASM |
| 190 | 98-7724 | 2 | Brush |
| 200 | 98-7725 | 2 | Spring-Brush |
| 210 | 98-7726 | 2 | Screw-Head, Round |
| 220 | 98-7727 | 6 | Screw-Head, Round |
| 230 | 98-7728 | 1 | Screw-Head, Round |
| 240 | 98-7729 | 3 | Bolt |
| 250 | 98-7730 | 2 | Nut |
| 260 | 98-7731 | 2 | Bolt |
| 270 | 98-7732 | 1 | Nut |
| 280 | 110-3799 | 1 | Regulator ASM |



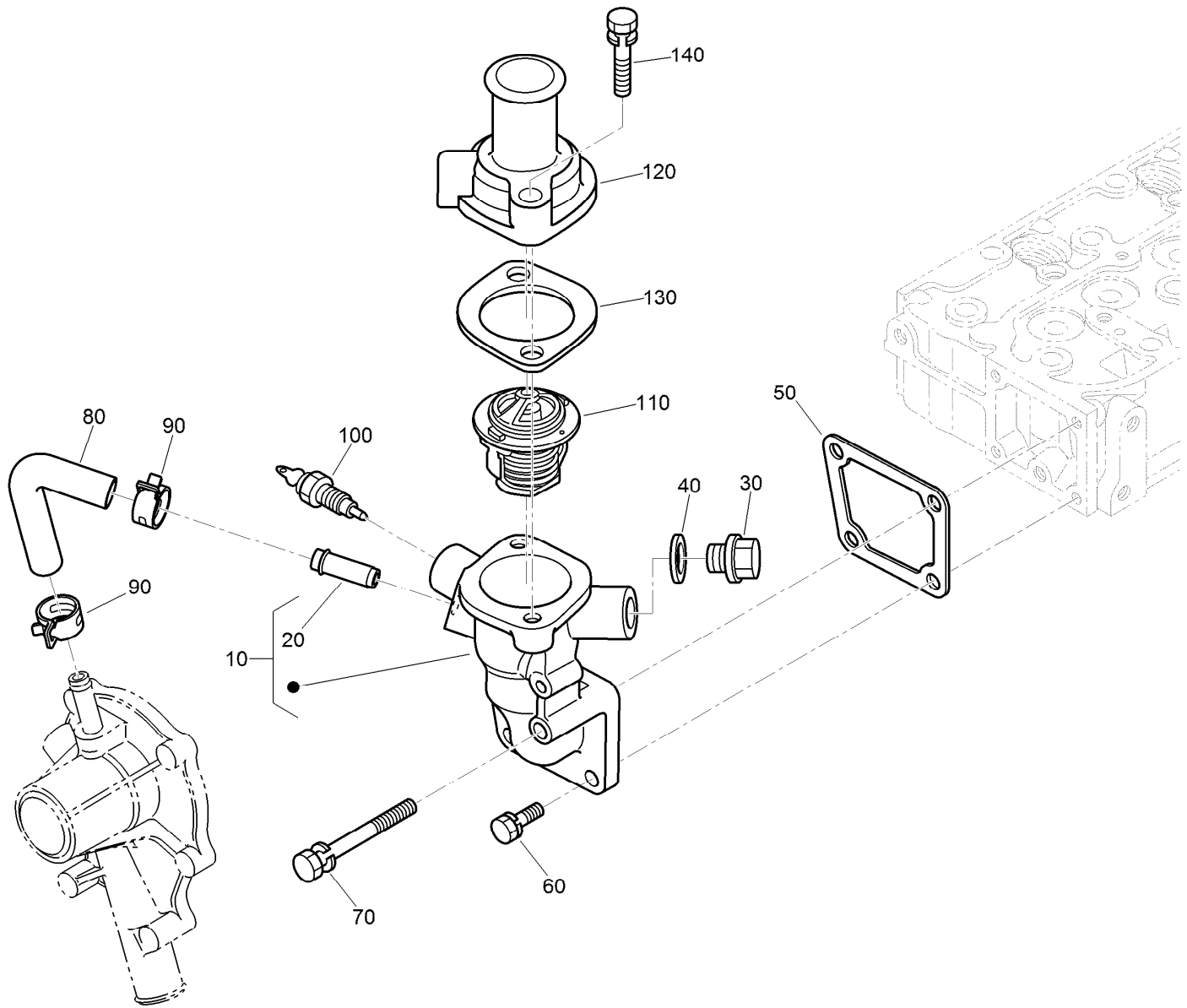
Starter and Flywheel Assembly

| Ref. | Part Number | Qty. | Description |
|------|-------------|------|-----------------|
| 10 | 98-9705 | 1 | Starter ASM |
| 20 | 98-7697 | 2 | Bolt |
| 30 | 98-7739 | 1 | Nut |
| 40 | 105-2893 | 1 | Washer-Spring |
| 50 | 105-3784 | 1 | Flywheel ASM |
| 60 | 115-3015 | 1 | Gear-Ring |
| 70 | 98-9537 | 6 | Bolt-Flywheel |
| 80 | 98-9486 | 1 | Plate-End, Rear |
| 90 | 98-9392 | 8 | Bolt |



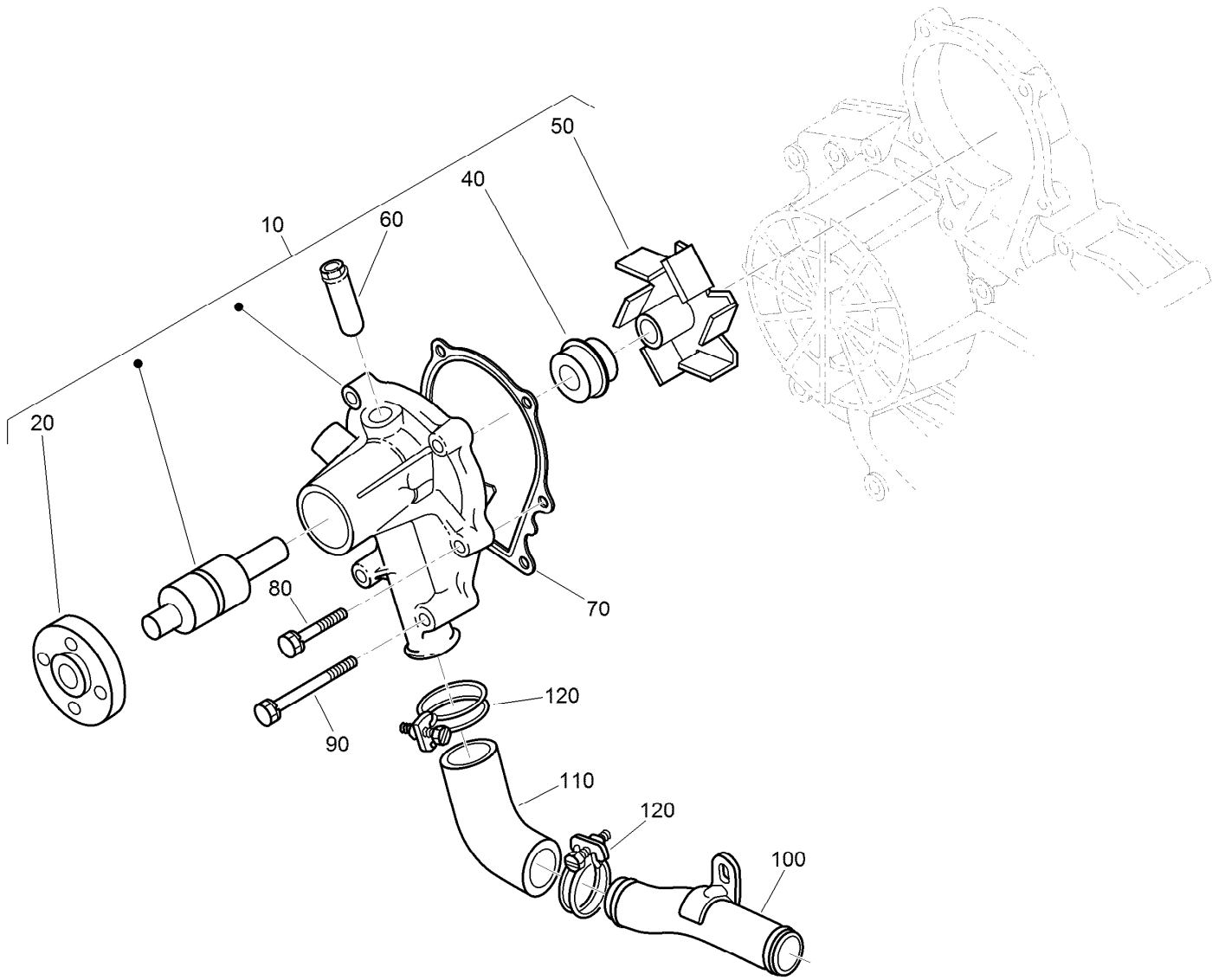
Starter Component Assembly

| <i>Ref.</i> | <i>Part Number</i> | <i>Qty.</i> | <i>Description</i> | <i>Ref.</i> | <i>Part Number</i> | <i>Qty.</i> | <i>Description</i> |
|-------------|--------------------|-------------|----------------------|-------------|--------------------|-------------|---------------------|
| 10 | 98-9705 | 1 | Starter ASM | 140 | 98-7753 | 5 | Roller |
| 20 | 104-8608 | 1 | Yoke ASM | 150 | 98-7754 | 1 | Spring |
| 30 | 98-7742 | 1 | Armature ASM | 160 | 98-7755 | 1 | Ball |
| 40 | 98-7744 | 1 | Bearing | 170 | 98-7756 | 2 | Bolt |
| 50 | 98-7743 | 1 | Bearing | 180 | 98-7757 | 2 | O-Ring |
| 60 | 99-8373 | 1 | Clutch-Running, Over | 190 | 100-9240 | 2 | Bolt |
| 70 | 99-8374 | 1 | Frame-End, Drive | 200 | 98-7758 | 2 | Bolt ASM |
| 80 | 105-3746 | 1 | Magnetic Switch ASM | 210 | 99-8375 | 1 | Cover |
| 90 | 98-7748 | 1 | Frame-End | 220 | 99-8371 | 1 | Nut-Hex |
| 100 | 98-7749 | 1 | Brush Holder ASM | 230 | 98-9711 | 1 | Cord-Solenoid, Stop |
| 110 | 98-7750 | 4 | Spring-Brush | 240 | 99-8376 | 1 | Nut-Hex |
| 120 | 98-7751 | 1 | Gear | 250 | 98-7759 | 1 | Pipe-Drain |
| 130 | 98-7752 | 1 | Retainer | 260 | 98-9712 | 1 | Band-Cover |



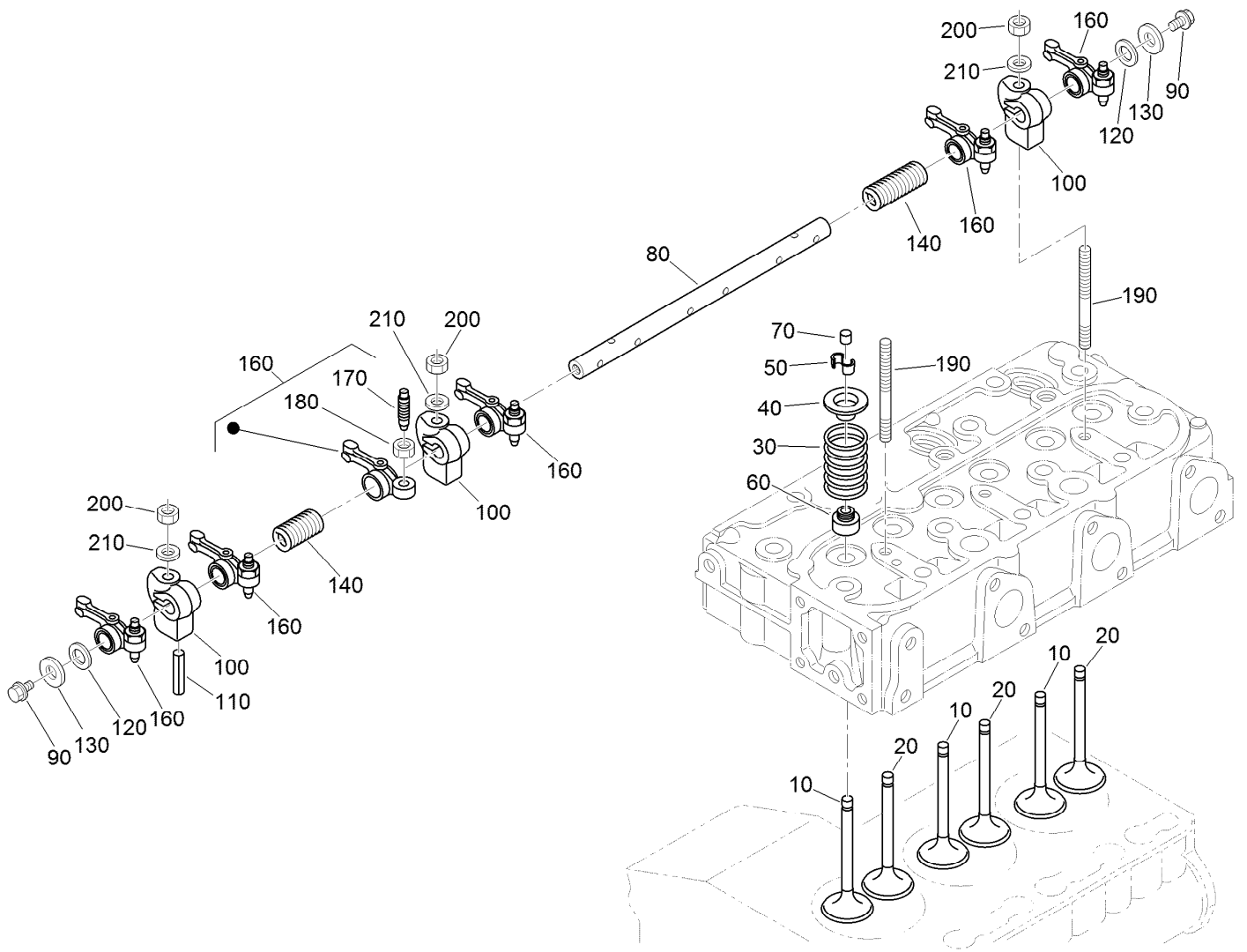
Water Flange and Thermostat Assembly

| <i>Ref.</i> | <i>Part Number</i> | <i>Qty.</i> | <i>Description</i> |
|-------------|--------------------|-------------|----------------------|
| 10 | 98-9713 | 1 | Water Flange ASM |
| 20 | 98-9580 | 1 | Pipe-Return, Water |
| 30 | 105-3747 | 1 | Plug |
| 40 | 99-3583 | 1 | Gasket |
| 50 | 98-9638 | 1 | Gasket-Flange, Water |
| 60 | 98-7692 | 3 | Bolt |
| 70 | 98-9356 | 1 | Bolt |
| 80 | 98-9578 | 1 | Pipe-Return, Water |
| 90 | 125-9078 | 2 | Clamp-Hose |
| 100 | 98-9719 | 1 | Thermoswitch |
| 110 | 98-7778 | 1 | Thermostat ASM |
| 120 | 98-9471 | 1 | Cover-Thermostat |
| 130 | 105-3748 | 1 | Gasket-Thermostat |
| 140 | 98-7777 | 2 | Bolt |



Water Pump and Water Pipe Assembly

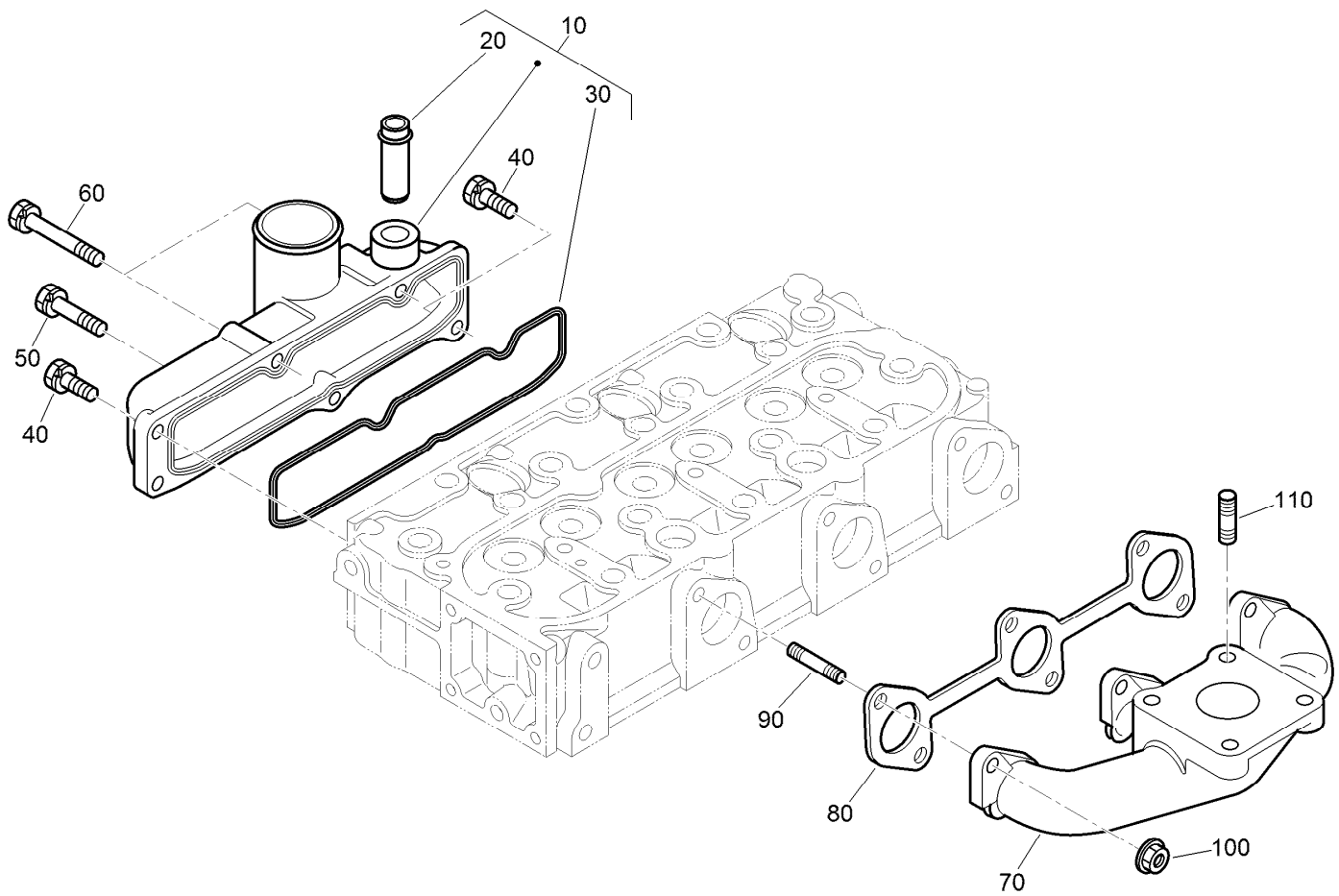
| <i>Ref.</i> | <i>Part Number</i> | <i>Qty.</i> | <i>Description</i> |
|-------------|--------------------|-------------|----------------------|
| 10 | 107-9089 | 1 | Water Pump ASM |
| 20 | 99-3516 | 1 | Flange-Pump, Water |
| 40 | 105-3750 | 1 | Mechanical Seal ASM |
| 50 | 112-7017 | 1 | Impeller-Pump, Water |
| 60 | 100-1932 | 1 | Pipe-Return, Water |
| 70 | 99-3454 | 1 | Gasket-Pump, Water |
| 80 | 98-9353 | 4 | Bolt |
| 90 | 98-9357 | 2 | Bolt |
| 100 | 98-9716 | 1 | Pipe-Water |
| 110 | 107-9091 | 1 | Pipe-Water |
| 120 | 127-0439 | 2 | Clamp-Hose |



Valve and Rocker Arm Assembly

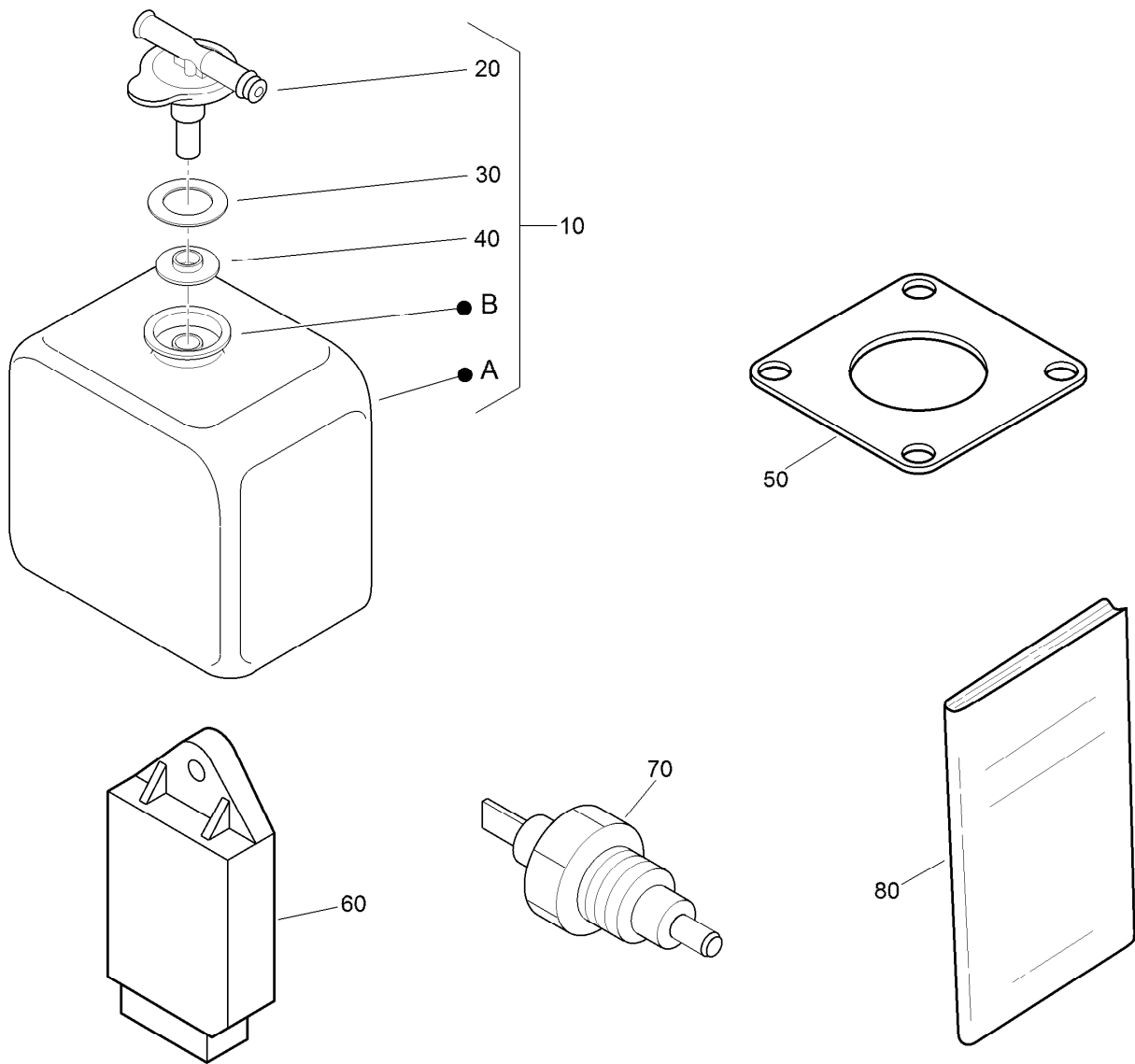
| Ref. | Part Number | Qty. | Description |
|------|-------------|------|----------------------|
| 10 | 112-7018 | 3 | Valve-Inlet |
| 20 | 120-2564 | 3 | Valve-Exhaust |
| 30 | 98-9648 | 6 | Spring-Valve |
| 40 | 107-9092 | 6 | Retainer-Spring |
| 50 | 117-7572 | 6 | Collet-Spring, Valve |
| 60 | 99-8385 | 6 | Seal-Stem, Valve |
| 70 | 98-9497 | 6 | Cap-Valve |
| 80 | 130-1248 | 1 | Shaft-Arm, Rocker |
| 90 | 99-8363 | 2 | Bolt-Flange |
| 100 | 98-9505 | 3 | Bracket-Arm, Rocker |

| Ref. | Part Number | Qty. | Description |
|------|-------------|------|--------------------------|
| 110 | 105-3758 | 1 | Pin-Spring |
| 120 | 98-9507 | 2 | Washer-Shaft, Rocker Arm |
| 130 | 110-3832 | 2 | Washer-Plain |
| 140 | 98-9504 | 2 | Spring-Arm, Rocker |
| 160 | 112-7020 | 6 | Rocker Arm ASM |
| 170 | 98-9502 | 6 | Screw-Adjusting |
| 180 | 98-9503 | 6 | Nut |
| 190 | 98-9506 | 3 | Stud |
| 200 | 98-9393 | 3 | Nut |
| 210 | 98-9385 | 3 | Washer-Flat |



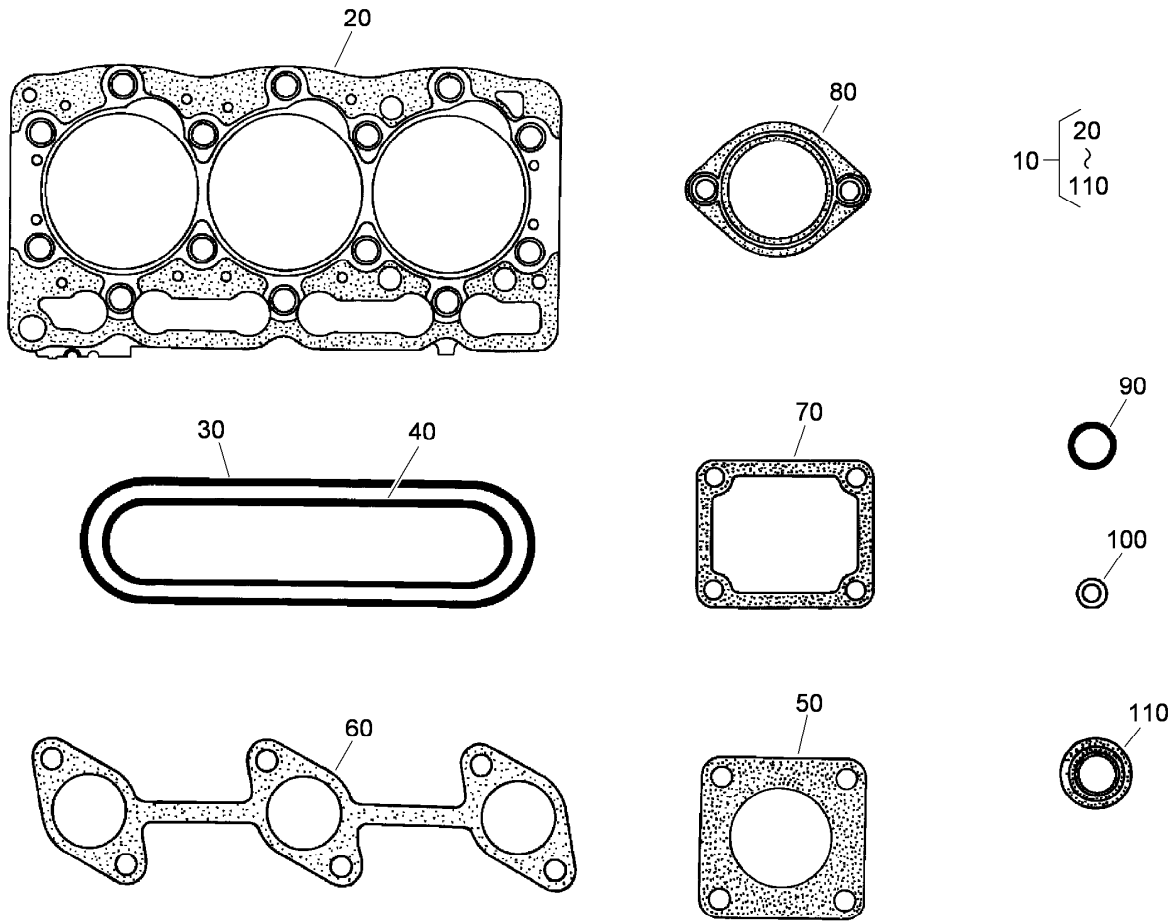
Inlet and Exhaust Manifold Assembly

| <i>Ref.</i> | <i>Part Number</i> | <i>Qty.</i> | <i>Description</i> |
|-------------|--------------------|-------------|--------------------------|
| 10 | 107-7843 | 1 | Manifold Inlet ASM |
| 20 | 98-9492 | 1 | Joint-Pipe, Breather |
| 30 | 98-9609 | 1 | Gasket-Manifold, Inlet |
| 40 | 127-0403 | 3 | Bolt-Flange |
| 50 | 98-9353 | 1 | Bolt |
| 60 | 125-9063 | 2 | Bolt-Sems |
| 70 | 107-9093 | 1 | Manifold-Exhaust |
| 80 | 99-8327 | 1 | Gasket-Manifold, Exhaust |
| 90 | 98-9588 | 6 | Stud |
| 100 | 98-9665 | 6 | Nut |
| 110 | 98-7769 | 4 | Stud |



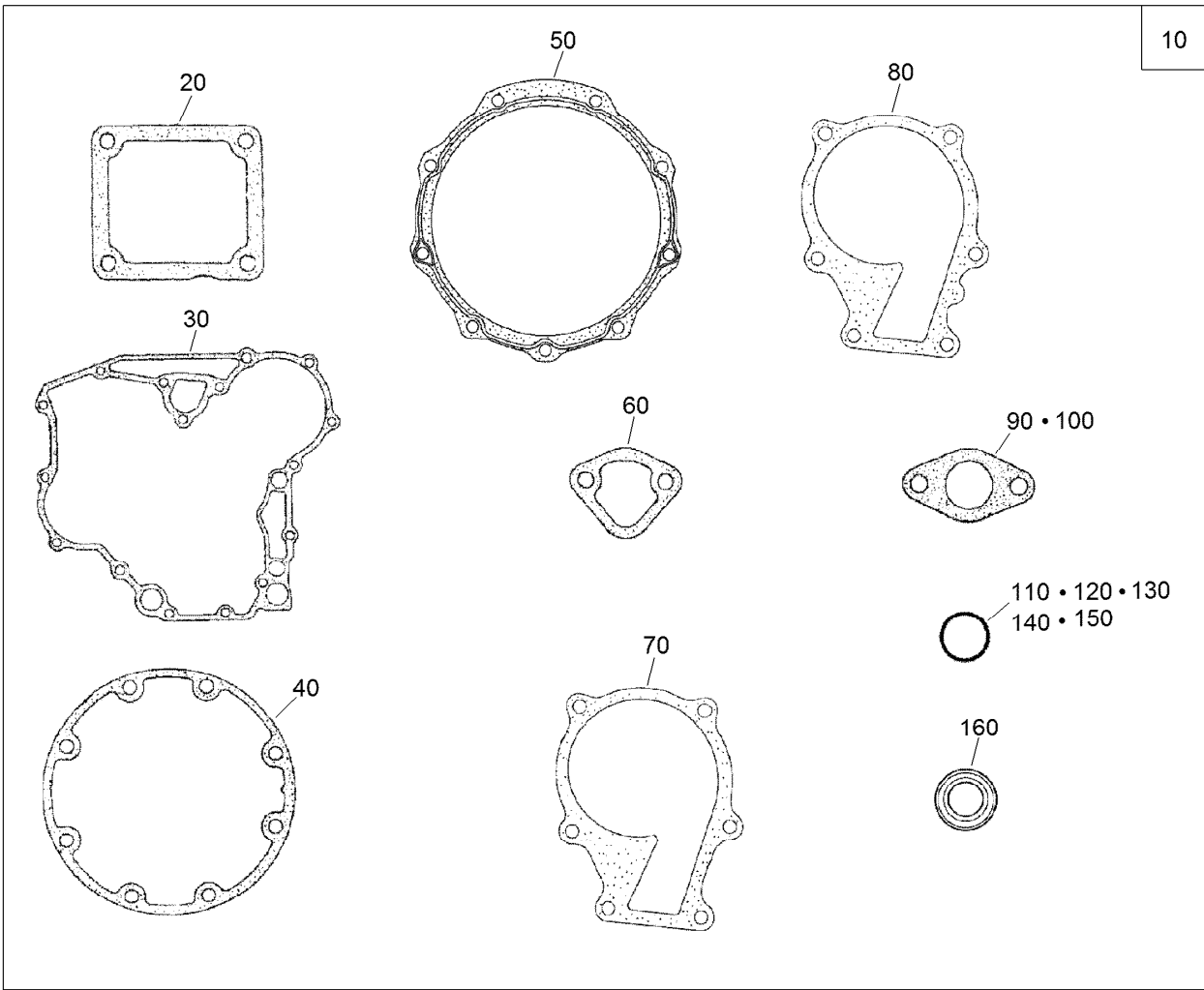
Miscellaneous Engine Parts

| <i>Ref.</i> | <i>Part Number</i> | <i>Qty.</i> | <i>Description</i> |
|-------------|--------------------|-------------|--------------------|
| 10 | 104-9318 | 1 | Bottle-Overflow |
| 20 | 115-4132 | 1 | Cap |
| 30 | 105-3755 | 1 | Gasket |
| 40 | 105-3756 | 1 | Plate |
| 50 | 99-8343 | 1 | Gasket-Muffler |
| 60 | 98-7611 | 1 | Controller-Glow |
| 70 | 106-7772 | 1 | Thermoswitch |
| 80 | 130-1543 | 1 | Manual-Operator |



Upper Gasket Kit

| <i>Ref.</i> | <i>Part Number</i> | <i>Qty.</i> | <i>Description</i> |
|-------------|--------------------|-------------|--------------------------|
| 10 | 107-7848 | 1 | Upper Gasket Kit |
| 20 | 108-6573 | 1 | Gasket-Head, Cylinder |
| 30 | 98-9615 | 1 | Gasket-Cover, Head |
| 40 | 98-9609 | 1 | Gasket-Manifold, Inlet |
| 50 | 99-8343 | 1 | Gasket-Muffler |
| 60 | 99-8327 | 1 | Gasket-Manifold, Exhaust |
| 70 | 98-9638 | 1 | Gasket-Flange, Water |
| 80 | 105-3748 | 1 | Gasket-Thermostat |
| 90 | 99-3446 | 2 | O-Ring |
| 100 | 98-9454 | 3 | Gasket |
| 110 | 99-8385 | 6 | Seal-Stem, Valve |



Lower Engine Gasket Kit

| <i>Ref.</i> | <i>Part Number</i> | <i>Qty.</i> | <i>Description</i> |
|-------------|--------------------|-------------|----------------------|
| 10 | 130-1364 | 1 | Lower Gasket Kit |
| 20 | 98-9637 | 1 | Gasket |
| 30 | 98-9633 | 1 | Gasket-Case, Gear |
| 40 | 131-6554 | 1 | Gasket-Case, Bearing |
| 50 | 112-7037 | 1 | Gasket-Cover, Case |
| 60 | 117-7562 | 1 | Gasket-Pump, Fuel |
| 70 | 98-9632 | 1 | Gasket-Pump, Water |
| 80 | 99-3454 | 1 | Gasket-Pump, Water |

| <i>Ref.</i> | <i>Part Number</i> | <i>Qty.</i> | <i>Description</i> |
|-------------|--------------------|-------------|------------------------|
| 90 | 98-9682 | 1 | Gasket |
| 100 | 98-9683 | 1 | Gasket-Cover, Solenoid |
| 110 | 105-3781 | 2 | O-Ring |
| 120 | 105-3777 | 2 | O-Ring |
| 130 | 105-3783 | 1 | O-Ring |
| 140 | 105-3776 | 1 | O-Ring |
| 150 | 105-3788 | 1 | O-Ring |
| 160 | 98-7601 | 1 | Seal-Oil |

Attachments and Accessories

For 03171 Reelmaster 3100-D Traction Unit With Sidewinder

| Product Name | Model/Part |
|--|-------------------|
| 27in Lift Arm Kit | 03172 |
| 32in Lift Arm Kit | 03173 |
| 5-Blade 27in DPA Edge Series Cutting Unit | 03188 |
| 8-Blade 27in DPA Edge Series Cutting Unit | 03189 |
| 11-Blade 27in DPA Edge Series Cutting Unit | 03190 |
| 8-Blade 32in DPA Edge Series Cutting Unit | 03191 |
| 27in Verticutter Cutting Unit | 03203 |
| Smooth Rear Tire | 127-2796 |
| Decal-Service, Japan | 138-1190 |
| Premium Seat Kit..... | 30629 |
| Arm Rest Kit..... | 30707 |
| Work Light Kit | 30841 |

Notes:

Notes:

Notes:



Count on it.