

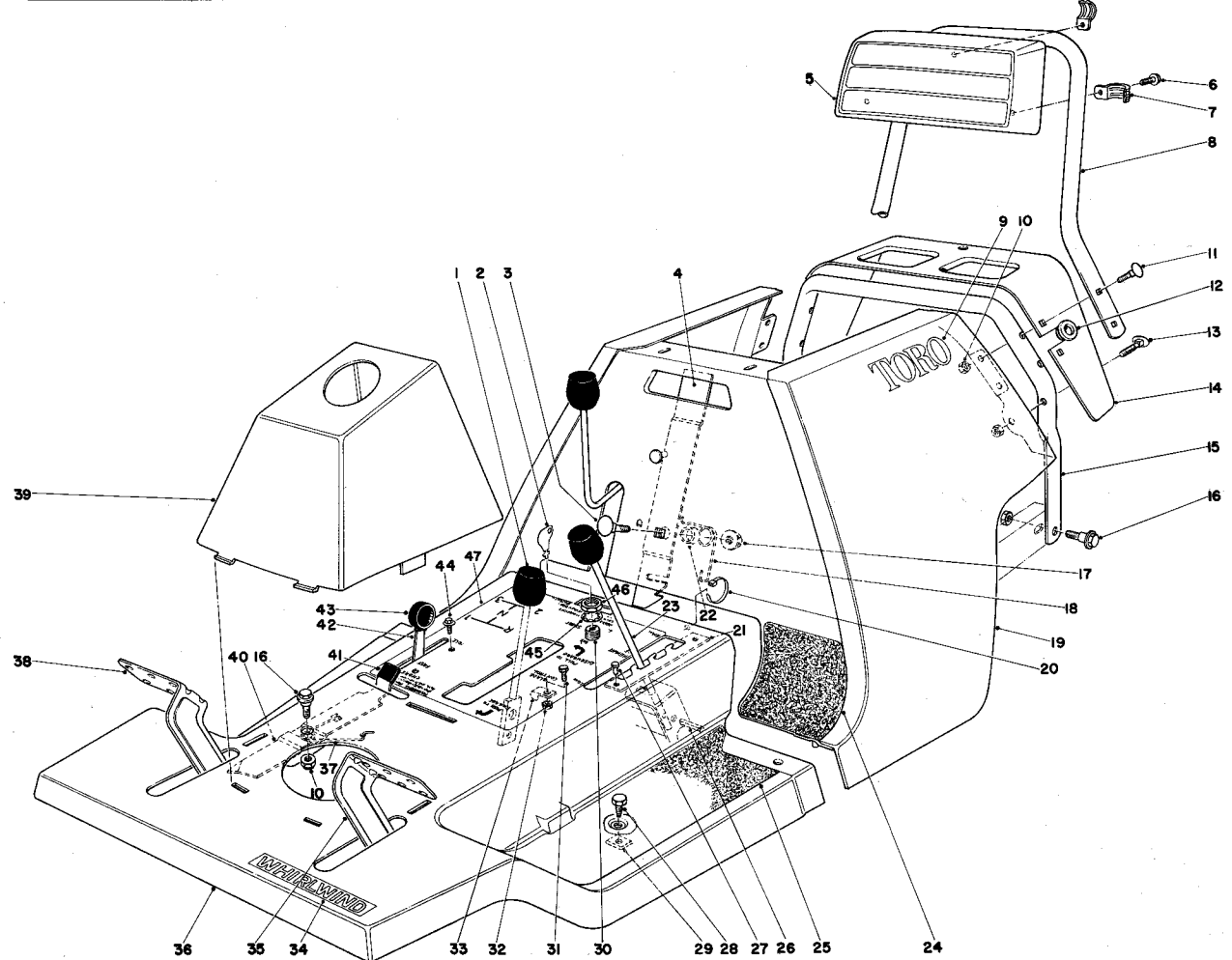
1981



MODEL NO. 56080 - 1000001 & UP

PARTS CATALOG

5 hp PREMIUM RIDER

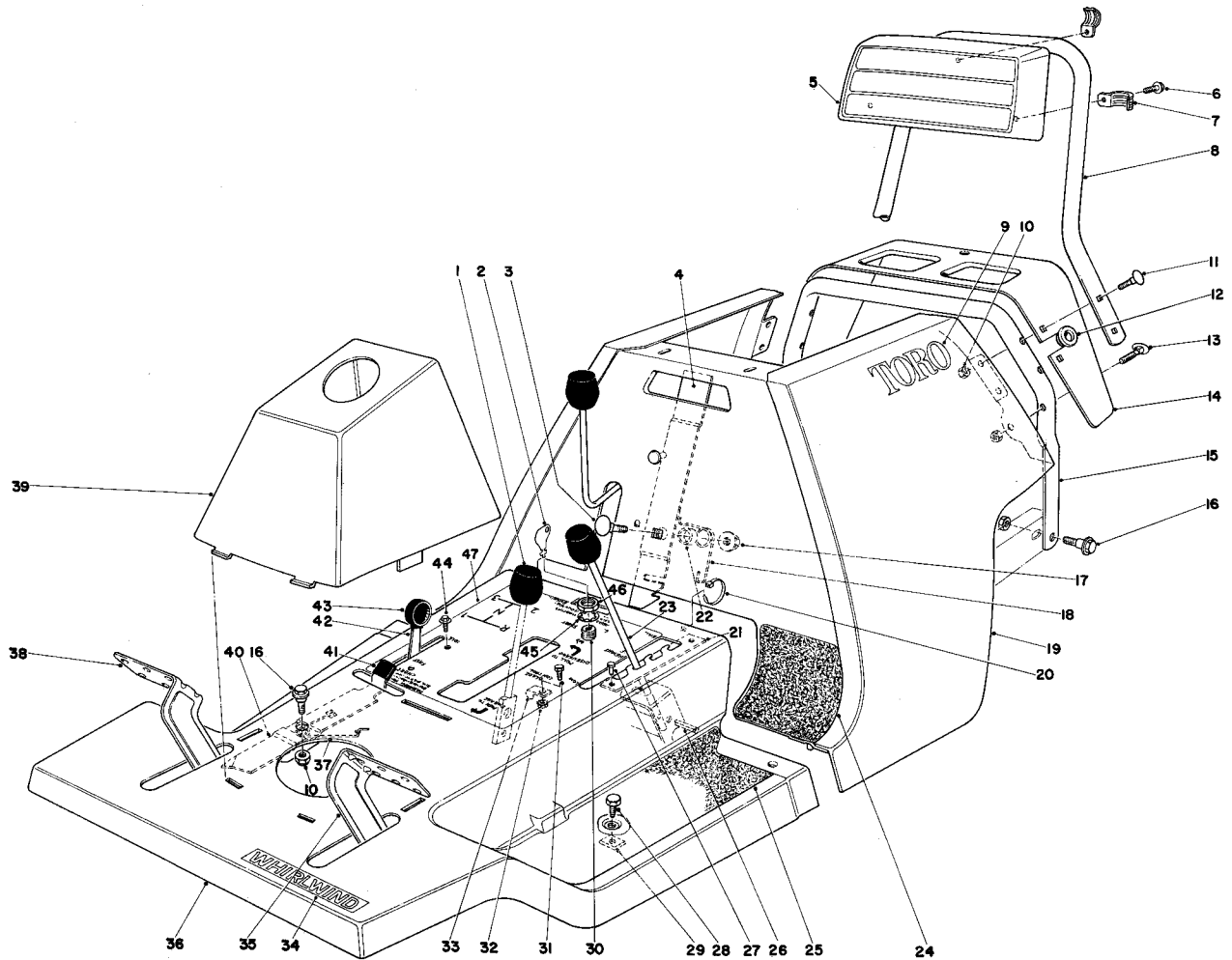


BODY ASSEMBLY

Ref. No.	Part No.	Description	No. Used
1	233-37	Knob	3
2	218-412	Key (Set of 2)	1
3	3230-10	Carriage Bolt	1
4	19-2400	Handle - Latch	1
5	17-1360	Back Rest	1
6	3234-4	Screw	3
7	2412-40	Clamp - Conduit	3
8	28-9380	Handle - Upper	1
9	20-4690	Decal - Rear Body	2
10	32152-1	Locknut	9
11	3230-5	Carriage Bolt	4
12	25-1520	Starting Ferrel	1
13	6-6330	Screw - Handle	2
14	25-1630	Extension - Rear Body	1
15	17-9990	Handle - Lower	1

Ref. No.	Part No.	Description	No. Used
16	19-1470	Screw - Shoulder	3
17	32128-13	Nut - Flange	1
18	19-2390	Spring - Latch Return	1
19	19-2070	Rear Body	1
20	3290-378	Cable Tie	1
21	17-9610	Plate - Height Adjustment	1
22	19-2410	Spacer	1
23	17-9630	Lever - Height of Cut	1
24	26-2530	Heel Pad - L.H.	1
*	26-2540	Heel Pad - R.H.	1
25	26-2510	Foot Tread - L.H.	1
*	26-2520	Foot Tread - R.H.	1
26	32121-94	Spiral Pin	1
27	3290-372	Rivet	2
28	32104-110	Hex Head Screw	4

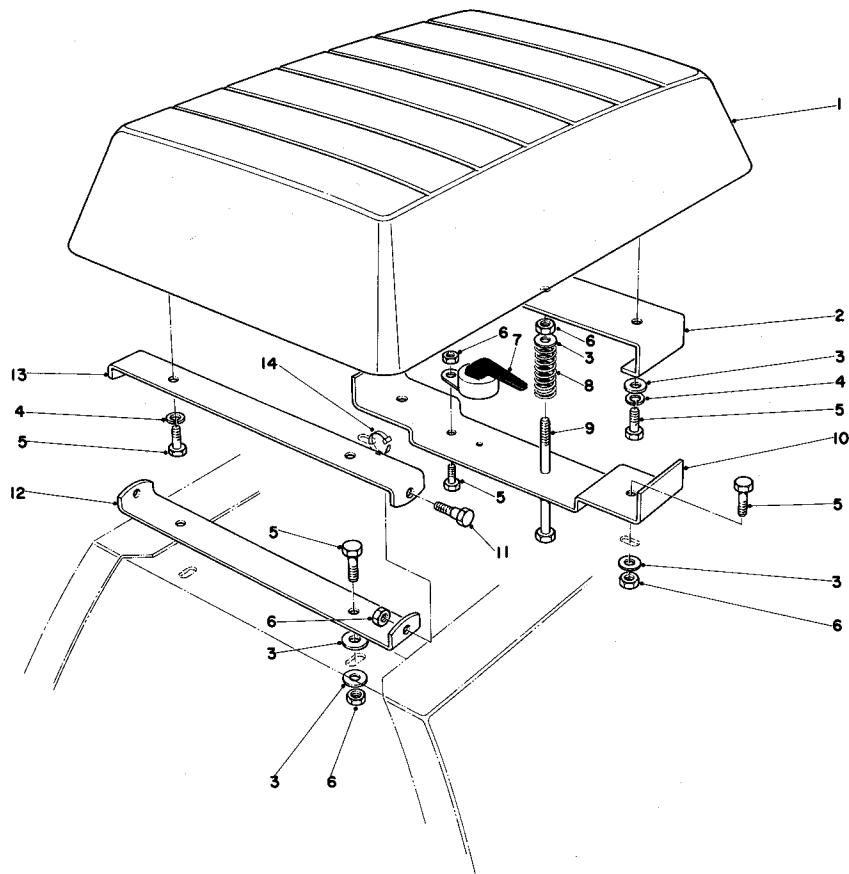
*Not Illustrated



BODY ASSEMBLY (Continued)

Ref. No.	Part No.	Description	No. Used
29	3290-347	Tinnerman Nut	4
30	19-2450	Starter Switch (Incl. Ref. #2, 45 & 46)	1
31	3290-134	Hex Head Machine Screw	1
32	32149-7	Keps Nut	1
33	2412-51	Clamp	1
34	28-8910	Decal – Whirlwind	1
35	19-1860	Clutch Pedal	1
36	21-4680	Body Front (Incl. Ref. #21, 27 & 47)	1
37	19-1970	Spring – Parking Brake	1

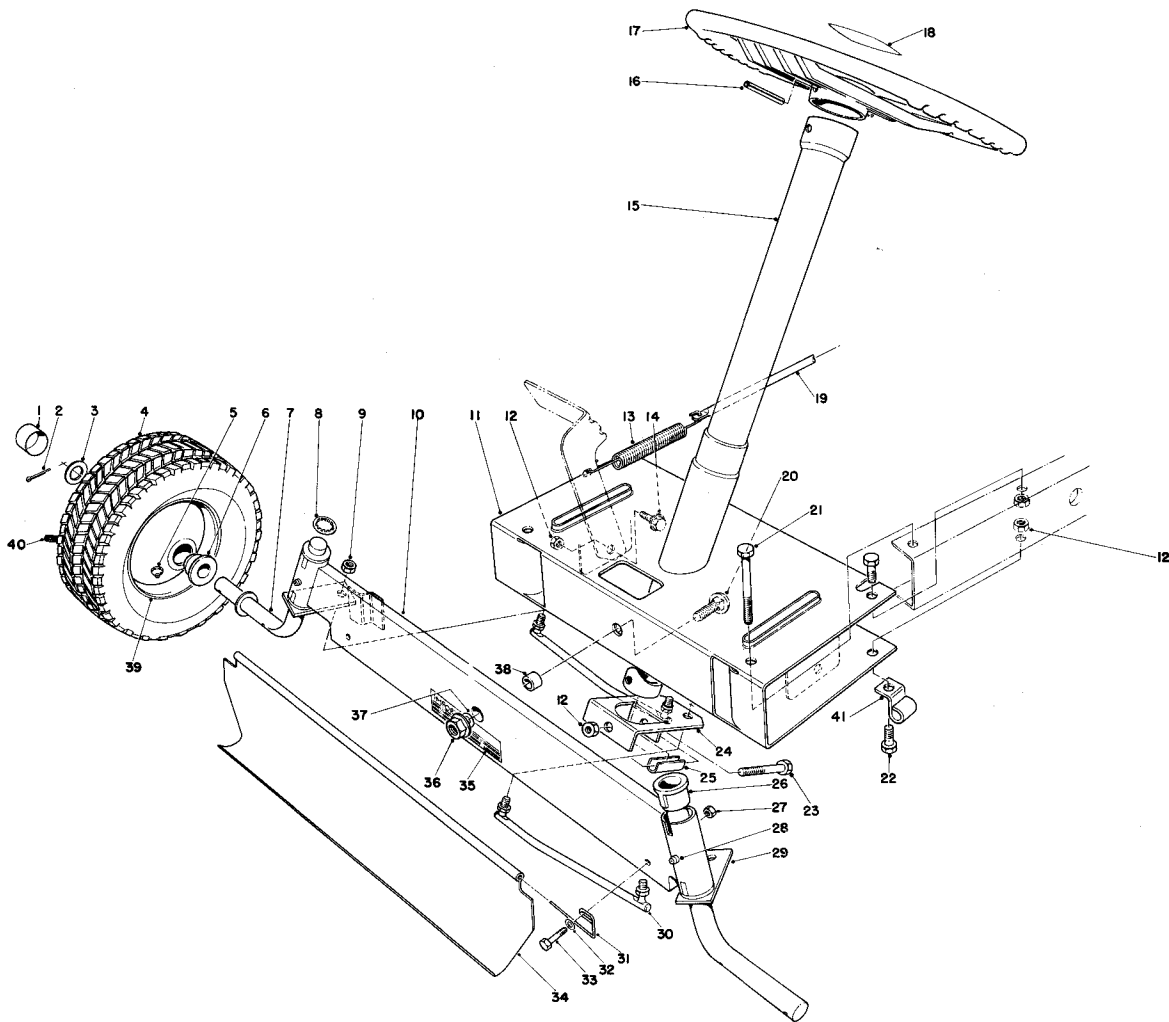
Ref. No.	Part No.	Description	No. Used
38	26-5310	Brake Pedal	1
39	28-3690	Tower	1
40	19-1610	Parking Brake	1
41	19-2200	Tip – Parking Brake	1
42	26-4400	Throttle Control (Incl. Ref. #43)	1
43	233-35	Knob	1
44	32104-94	Self Tapping Screw	2
45	3254-5	Lockwasher	1
46	218-461	Nut	1
47	40-4590	Decal – Front Body	1



SEAT ASSEMBLY

Ref. No.	Part No.	Description	No. Used
1	28-6420	Seat	1
2	28-5730	Rear Support – Seat	1
3	3256-22	Washer	9
4	3253-3	Lockwasher	4
5	321-3	Capscrew	9
6	32152-4	Locknut	8
7	28-4140	Switch – Seat	1

Ref. No.	Part No.	Description	No. Used
8	5-1723	Spring	1
9	321-14	Capscrew	1
10	28-4570	Seat Support – Rear Lower	1
11	11-9030	Shoulder Bolt	2
12	28-4580	Seat Pivot Bracket Lower	1
13	28-4590	Seat Pivot Bracket Upper	1
14	3290-378	Cable Tie	1

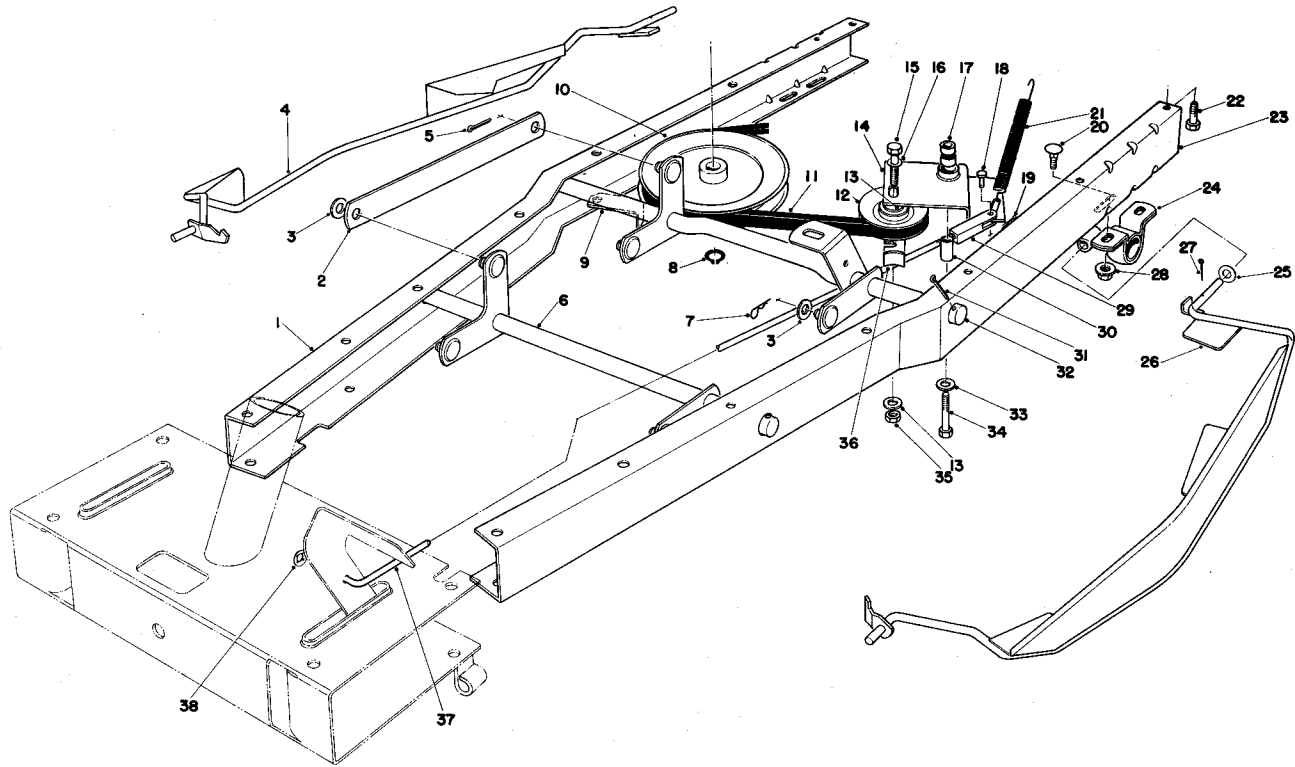


FRONT AXLE ASSEMBLY

Ref. No.	Part No.	Description	No. Used
1	285-18	Hub Cap	2
2	3272-12	Cotter Pin	4
3	3256-27	Flat Washer	A/R
4	231-77	Tire, Turf King	2
*	231-82	Tire, Xtra Traction	2
5	302-5	Grease Fitting	2
6	256-170	Bushing	4
7	21-9830	Spindle R.H.	1
8	32151-40	Retaining Ring	2
9	32146-4	Locknut	4
10	25-2330	Front Axle	1
11	24-7420	Front Frame	1
12	32152-1	Locknut	9
13	26-2740	Brake Spring	1
14	19-1470	Shoulder Screw	2
15	24-7370	Steering Tube	1
16	32121-10	Roll Pin	1
17	12-7540	Steering Wheel	1
18	19-2010	Decal	1
19	26-5290	Brake Rod	1
20	3233-2	Carriage Bolt	1
21	322-14	Capscrew	2

Ref. No.	Part No.	Description	No. Used
22	322-2	Capscrew	4
23	322-11	Capscrew	1
24	21-9840	Steering Lever	1
25	19-1510	Steering Tube Spacer	1
26	19-1890	Bushing	4
27	32152-4	Locknut	2
28	302-49	Grease Fitting	2
29	21-9820	Spindle L.H.	1
30	21-9860	Tie Rod	2
31	40-9580	Hanger - Safety Shield	2
32	3256-22	Washer	2
33	321-6	Capscrew	2
34	40-9590	Safety Shield	1
35	26-4830	Decal - Instruction	1
36	32128-23	Flange Nut	1
37	18-9810	Thrust Washer	1
38	19-1520	Spacer, Front Axle	1
39	217-80	Rim	2
40	232-27	Valve Stem & Cap	2
41	43-8410	Bracket - Guard Support	2
*	232-36	Tube (Service Only)	2

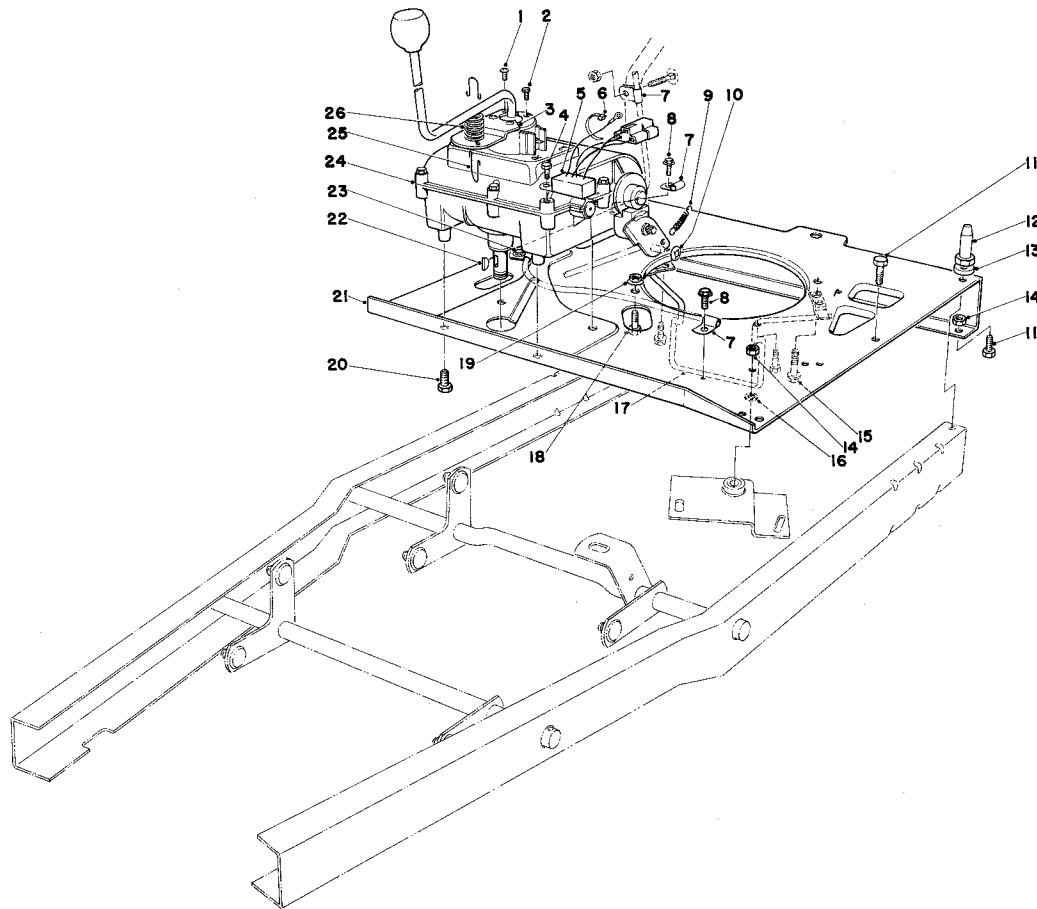
*Not Illustrated



FRAME ASSEMBLY

Ref. No.	Part No.	Description	No. Used
1	40-9570	Frame – Channel R.H.	1
2	17-9530	Linkage – Height Adjustment	1
3	3256-26	Washer	5
4	43-8430	Deck Shield R.H.	1
5	3272-23	Cotter Pin	4
6	17-9890	Height Adjustment – Front	1
7	3290-250	Hair Pin Cotter	4
8	32120-64	Retaining Ring	1
9	17-2230	Belt Retainer	1
10	7-4085	Pulley	1
11	19-2650	V-Belt (Engine to Transmission)	1
12	12-5820	Idler Pulley	1
13	3256-24	Washer	2
14	26-2830	Traction Idler (Incl. Ref.#17)	1
15	323-8	Capscrew	1
16	3256-46	Washer	1
17	256-110	Bushing	2
18	283-3	Clevis Pin	1
19	3272-4	Cotter Pin	1

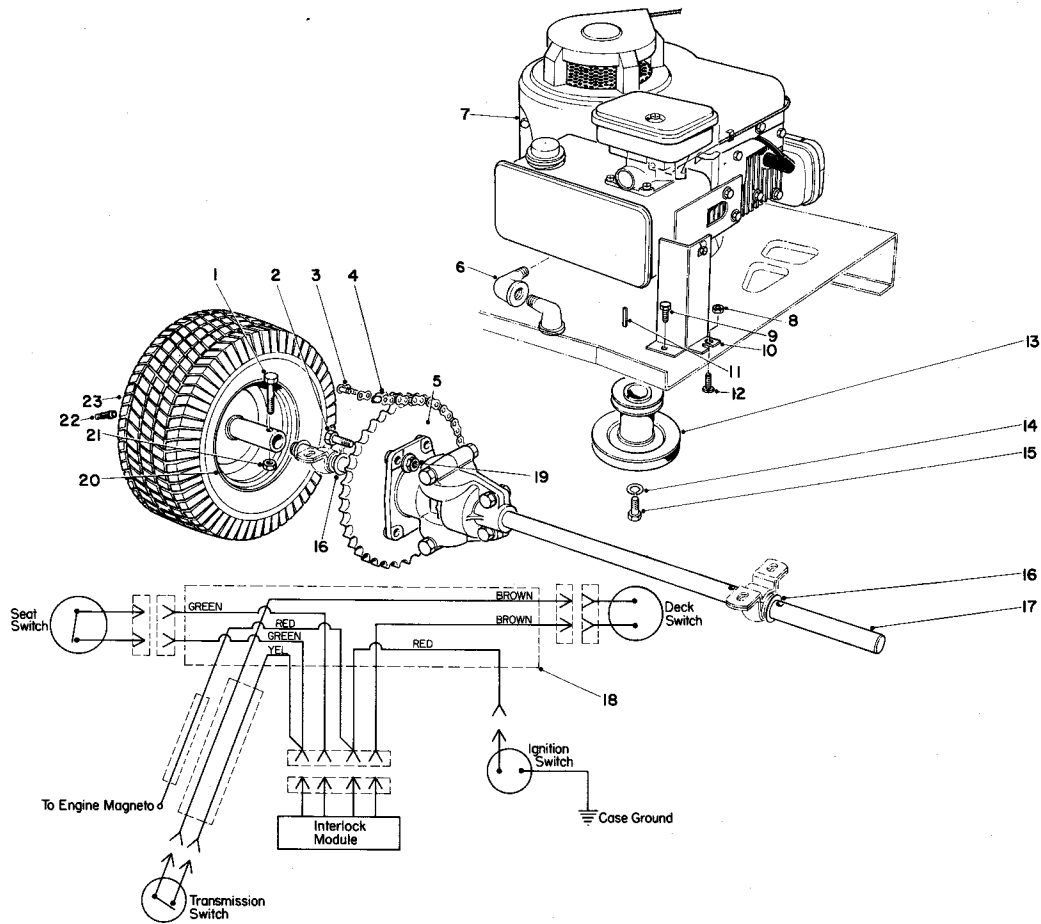
Ref. No.	Part No.	Description	No. Used
20	3231-30	Carriage Bolt	4
21	19-5340	Spring – Clutch Tension	1
22	322-4	Capscrew	2
23	40-9560	Frame – Channel L.H.	1
24	12-3340	Pillow Block	2
25	29-8870	Washer	2
26	43-8420	Deck Shield L.H.	1
27	3272-16	Cotter Pin	2
28	32128-21	Flange Nut	4
29	282-17	Adjustment Yoke	1
30	26-2610	Spacer	1
31	3272-6	Cotter Pin	2
32	28-5690	Height Adjustment, Rear	1
33	3256-23	Washer	1
34	322-7	Capscrew	1
35	32153-2	Locknut	1
36	12-9020	Retainer – Belt	1
37	28-4550	Rod – Clutch	1
38	3290-363	Speed Nut – Push	1



ENGINE PLATE AND SHIFT ASSEMBLY

Ref. No.	Part No.	Description	No. Used
1	3290-134	Hex Head Machine Screw	3
2	2119-619	Screw	1
3	25-4050	Neutral Bracket	1
4	2119-489	Screw	1
5	39-6520	Control Module	1
6	3290-378	Cable Tie	1
7	18-2970	Clamp	4
8	12-3270	Screw – Thread Forming	2
9	26-6700	Spring – Brake Return	1
10	3290-363	Speed Nut – Push	1
11	322-2	Hex Head Capscrew	5
12	25-1530	Mounting Pin Lower	2
13	26-4840	Spacer – Mounting Pin	2

Ref. No.	Part No.	Description	No. Used
14	32152-1	Locknut	6
15	11-0590	Hex Head Capscrew	3
16	3256-23	Washer	1
17	26-5740	Belt Guide	1
18	322-17	Hex Head Capscrew	1
19	32128-25	Flange Nut	1
20	32140-61	Hex Head Machine Screw	4
21	39-6750	Plate – Engine	1
22	3257-5	Key – Woodruff	1
23	32144-15	Screw – Thread Forming	1
24	26-5440	Transmission – 3 Speed	1
25	25-4040	Neutral Spring Wire	2
26	25-4030	Compression Spring	1



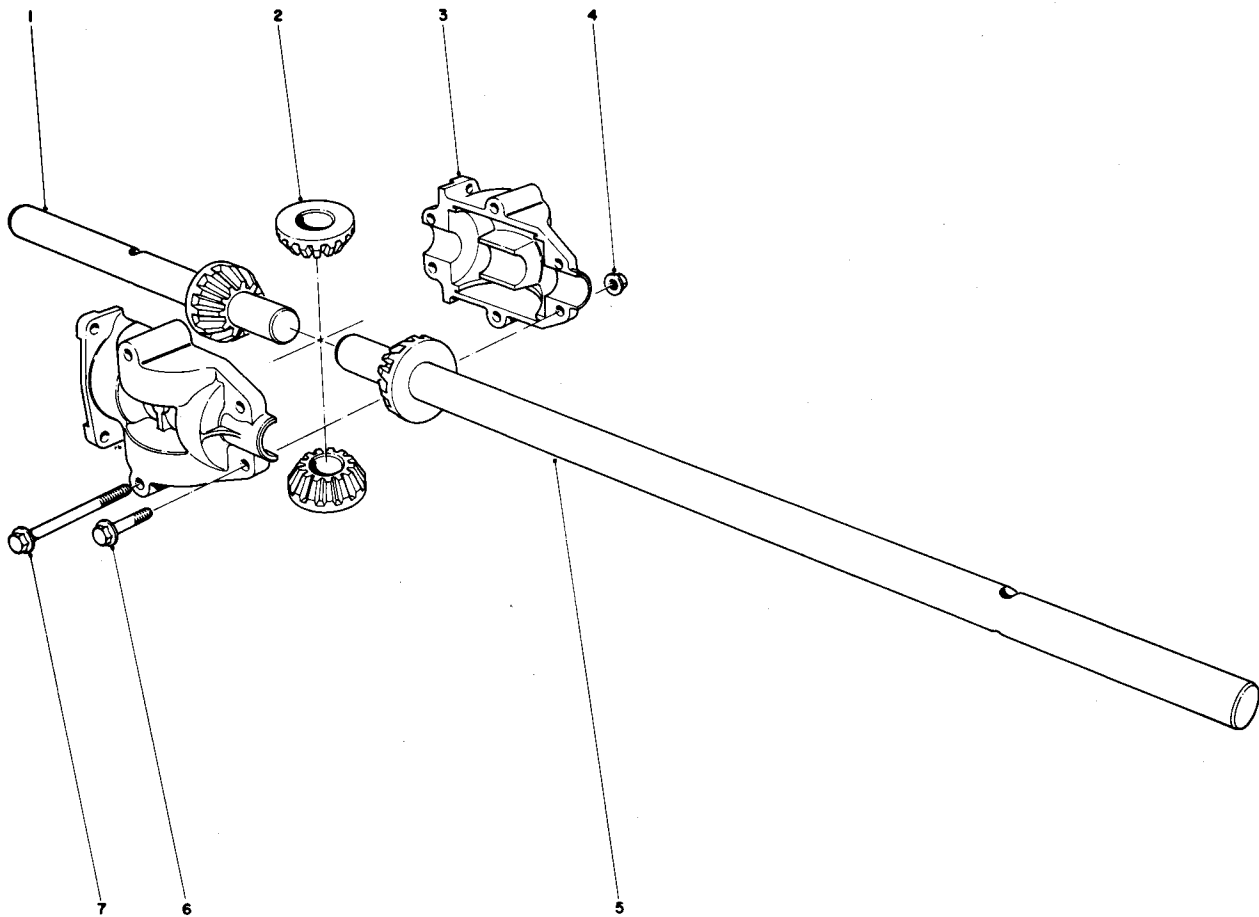
ENGINE AND DIFFERENTIAL ASSEMBLY

Ref. No.	Part No.	Description	No. Used
1	323-9	Hex Hd. Capscrew	2
2	322-5	Capscrew	4
3	2710-6	Connecting Link	1
4	26-2860	Roller Chain	1
5	12-1940	Sprocket	1
†6		90° Street Elbow	2
7	221-644	Engine	1
8	32149-1	Locknut	1
9	32144-11	Screw	1
10	28-5680	Support – Wire	1
11	3-0971	Square Key	1
12	32122-33	Machine Screw	1
13	26-4780	Pulley – Engine	1

Ref. No.	Part No.	Description	No. Used
14	3253-21	Lockwasher	1
15	3211-36	Hex Hd. Capscrew	1
16	11-4930	Washer	A/R
17	39-6770	Differential	1
18	39-6550	Wiring Harness	1
19	32152-1	Nut	4
20	241-110	Rim	2
21	32152-2	Locknut	2
22	232-27	Valve Stem W/Cap	2
23	231-81	Tire Xtra Traction	2
*	231-67	Tire Turf King	2
*	232-36	Tube (Service Only)	2
*	41-9210	Loose Parts	1

*Not Illustrated

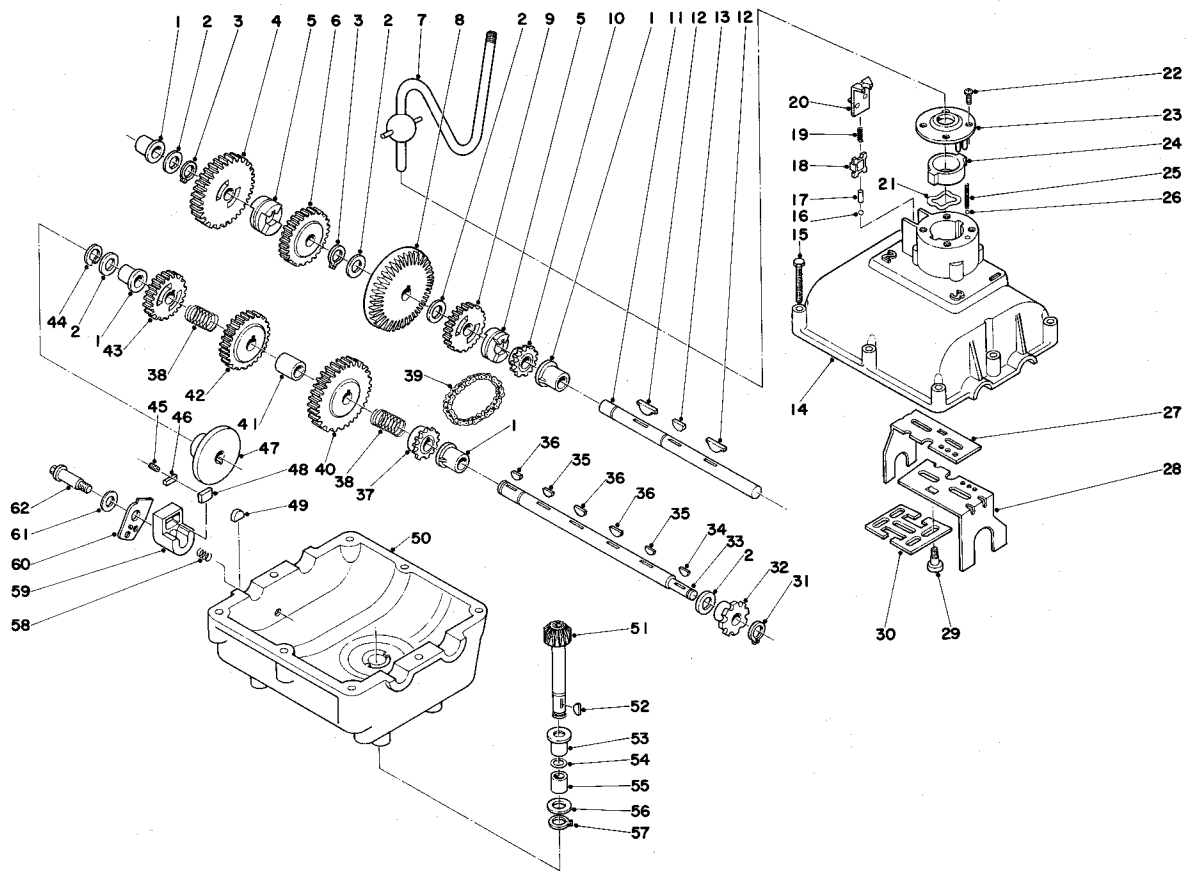
†Standard hardware item. May be purchased locally.



DIFFERENTIAL ASSEMBLY NO. 39-6770

Ref. No.	Part No.	Description	No. Used
1	2119-631	Axle Short Shaft	1
2	2119-632	Miter Gear	2
3	2119-629	Housing Half	2
4	32128-16	Locknut	6

Ref. No.	Part No.	Description	No. Used
5	2119-630	Axle Long Shaft	1
6	2119-531	Bolt, Short	2
7	2119-533	Bolt, Long	4

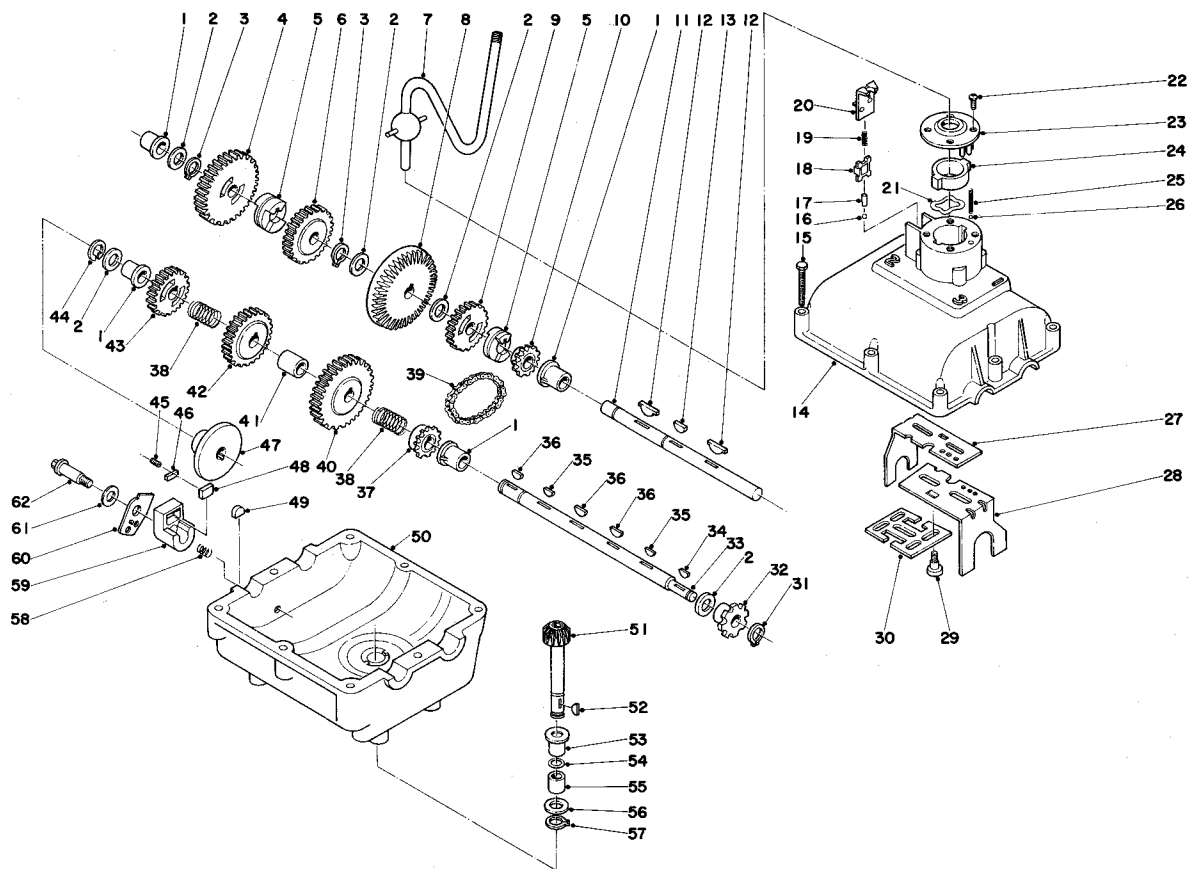


TRANSMISSION ASSEMBLY 26-5440

Ref. No.	Part No.	Description	No. Used
1	2119-458	Flange Bearing	4
2	2119-625	Washer Kit	1
3	2119-554	Retaining Ring	2
4	2119-611	Spur Gear 30T	1
5	2119-570	Clutch Collar	2
6	2119-465	Spur Gear 25T	1
7	2119-627	Shift Lever	1
8	2119-474	Bevel Gear 42T	1
9	2119-475	Spur Gear 20T1	1
10	2119-476	Sprocket 12T	1
11	2119-613	Drive Shaft	1
12	2119-484	Hi Pro Key	2
13	2119-468	Woodruff Key	1
14	2119-616	Upper Housing	1
15	2119-489	Hex Hd. Capscrew	8
*	2119-621	Switch Kit Assembly (Inc. Ref. #16 - 20)	1
16		Ball Detent	1
17		Actuating Pin	1
18		Carrier Contact Assembly	1
19		Compression Spring	1
20		Terminal Board	1
21	2119-492	Wave Washer	1

Ref. No.	Part No.	Description	No. Used
22	2119-619	Screw	1
23	2119-618	Nylon Cover	1
24	2119-493	Nylon Insert	1
25	2119-617	Detent Spring	2
26	2119-490	Detent Ball	2
27	2119-615	Shifter Fork R.H.	1
28	2119-487	Shifter Fork L.H.	1
29	2119-486	Shoulder Screw	4
30	2119-485	Lock-Out Plate	1
31	2119-606	Retaining Ring	1
32	2119-453	Sprocket 8T	1
33	2119-482	Output Shaft	1
34	2119-479	Woodruff Key	1
35	2119-480	Woodruff Key	2
36	2119-481	Woodruff Key	3
37	2119-478	Sprocket 12T	1
38	2119-462	Spring Compression	2
39	2119-477	Chain	1
40	2119-467	Spur Gear 30T	1
41	2119-466	Spacer	1
42	2119-464	Spur Gear 25T	1
43	2119-459	Spur Gear 20T	1
44	2119-550	Retaining Ring	1

*Not Illustrated

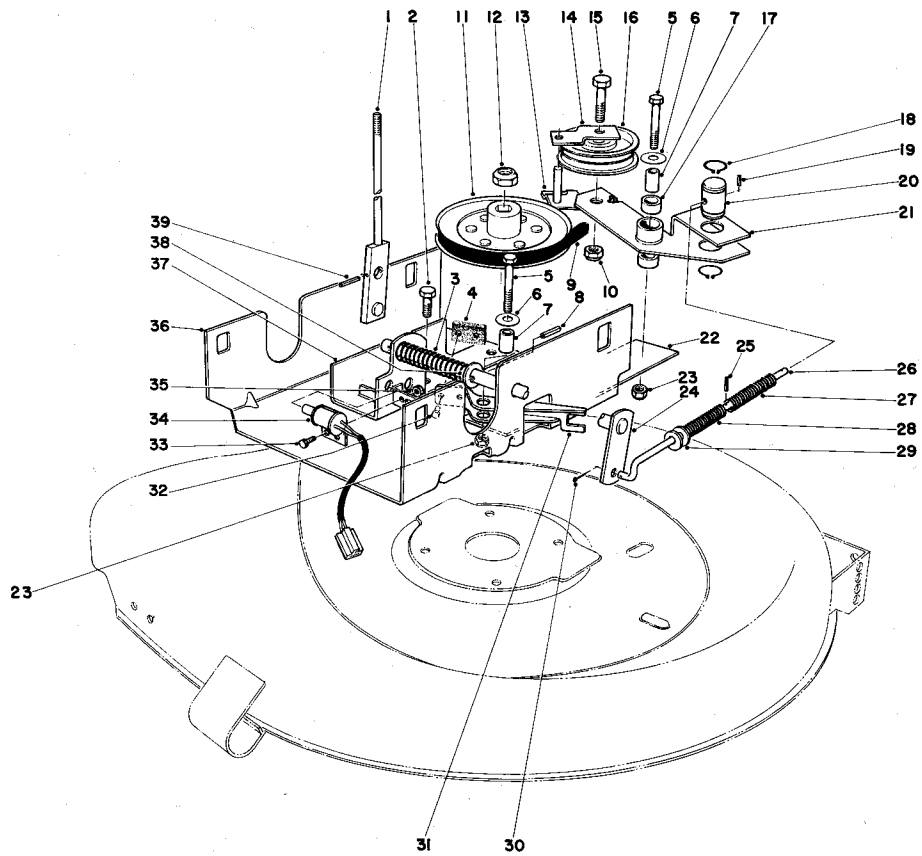


TRANSMISSION ASSEMBLY 26-5440 (Continued)

Ref. No.	Part No.	Description	No. Used
45	2119-588	Set Screw	1
46	2119-608	Spacer	1
47	2119-562	Disc Brake	1
48	2119-601	Friction Puck	1
49	2119-563	Friction Puck	1
50	2119-612	Lower Housing	1
*	2119-614	Input Shaft Assembly (Inc. Ref. #51 - 57)	1
51		Input Shaft	1
52		Woodruff Key	1
53		Flange Bearing	1

Ref. No.	Part No.	Description	No. Used
54		Washer	1
55		Bushing	1
56		Washer	1
57		Retaining Ring	1
58	2119-564	Compression Spring	1
59	2119-594	Brake Jaw	1
60	2119-628	Actuating Lever L.H.	1
61	2119-589	Washer Kit	1
62	2119-558	Shoulder Bolt	1
*	2119-603	Brake Service Kit (Incl. Ref. #46 & 48-49 & 51)	1

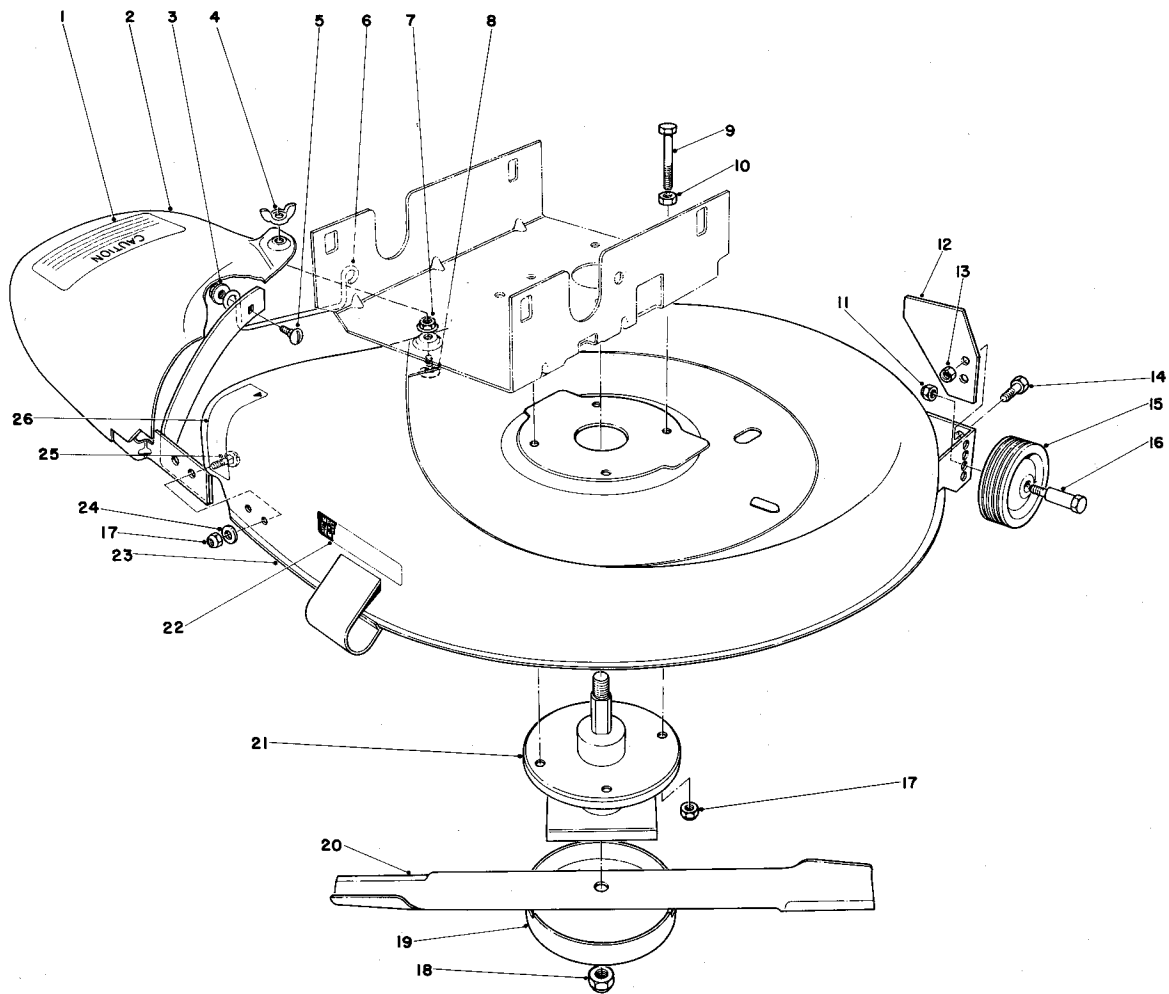
*Not Illustrated



BLADE DRIVE ASSEMBLY

Ref. No.	Part No.	Description	No. Used
1	42-5320	Lever – Deck Engagement	1
2	322-4	Capscrew	3
3	19-1930	Spring	1
4	7-0643	Brake Lining – Blade	1
5	322-7	Capscrew	2
6	3256-23	Washer	2
7	26-2610	Spacer – Pivot	2
8	32121-45	Roll Pin	1
9	26-2770	V-Belt	1
10	32153-2	Locknut	1
11	26-4020	Pulley – Deck	1
12	17-0980	Nut – Special	1
13	28-4460	Retainer – Belt	1
14	28-4480	Belt Retainer – Upper	1
15	323-9	Capscrew	1
16	7-4660	Flat Idler	1
17	256-110	Bushing	2
18	32120-93	Snap Ring	2
19	32121-73	Roll Pin	1
20	26-2580	Pivot Pin	1

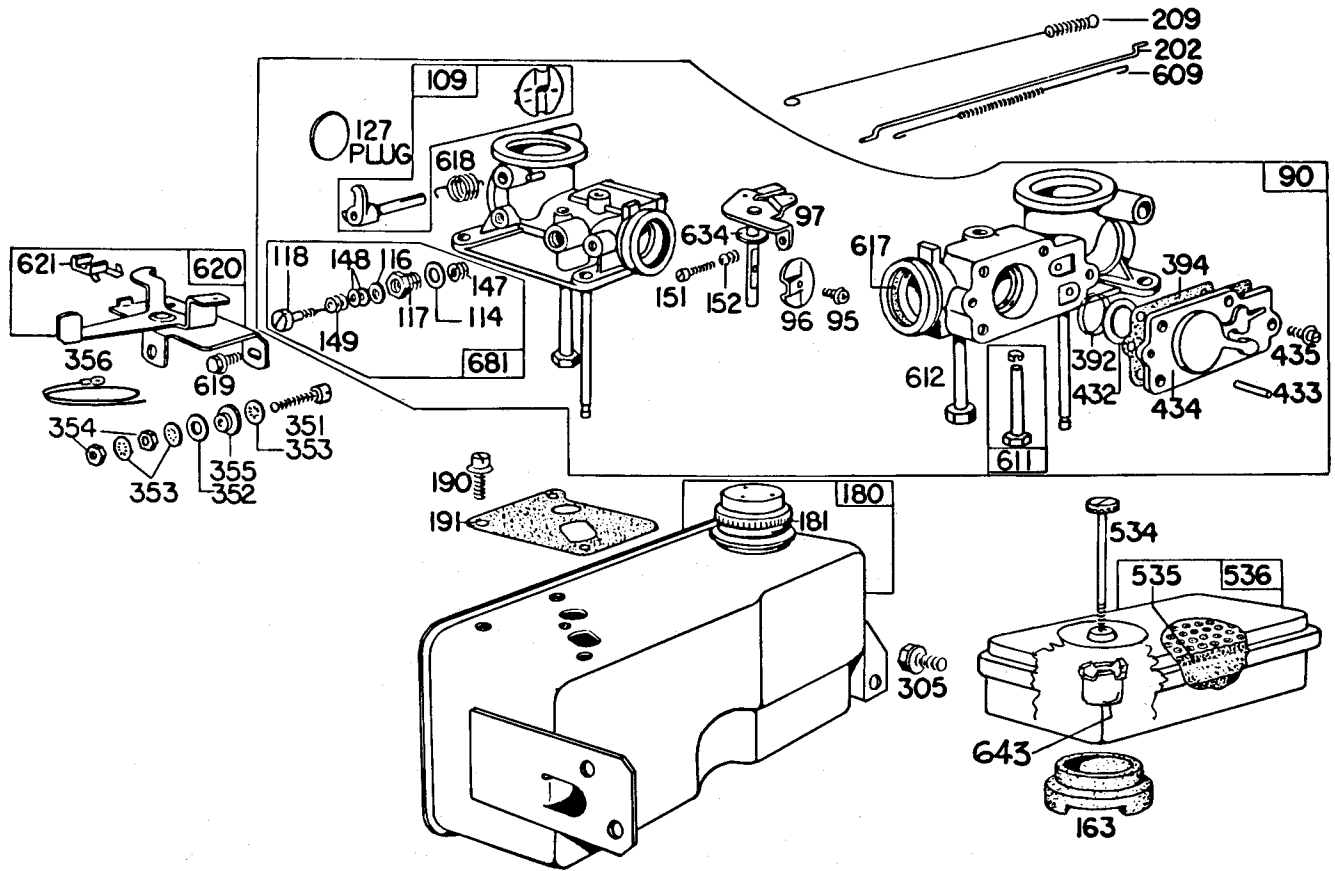
Ref. No.	Part No.	Description	No. Used
21	28-6450	Idler Arm (Incl. Ref. #17)	1
22	17-9540	Bracket – Idler Mounting	1
23	32152-1	Locknut	2
24	17-9960	Linkage – Blade Engagement	1
25	32121-50	Roll Pin	1
26	26-5500	Rod Blade Engagement	1
27	26-4800	Spring – Deck Idler	1
28	26-4810	Spring – Deck Brake	1
29	5-1350	Washer	2
30	3272-6	Cotter Pin	1
31	19-5980	Blade Brake (Incl. Ref. #4 & 32)	1
32	3295-25	Rivet	2
33	3290-134	Screw	2
34	28-4450	Switch – Interlock	1
35	32149-7	Nut – Keps	2
36	18-8210	Channel – Height Adjust.	1
37	42-5270	Mounting Bracket Blade	1
38	3256-26	Washer	1
39	32121-93	Spiral Pin	1



MOWER HOUSING ASSEMBLY

Ref. No.	Part No.	Description	No. Used
1	12-2890	Decal – Deflector Caution	1
2	24-6730	Deflector	1
3	32128-10	Flange Nut	2
4	3-2625	Wing Nut	1
5	3229-22	Carriage Bolt	2
6	17-0960	Bracket – Foot Guard	1
7	3290-147	Palnut – Washer Type	1
8	26-0430	Elevator Bolt	1
9	322-12	Capscrew	1
10	3218-2	Jam Nut	1
11	32146-12	Locknut	2
12	39-6500	Deck Stop	2
13	32152-2	Locknut	2

Ref. No.	Part No.	Description	No. Used
14	323-4	Capscrew	2
15	11-1580	Wheel	2
16	3-2652	Shoulder Bolt	2
17	32152-1	Locknut	6
18	17-0980	Nut – Special	1
19	7-3522	Anti-Scalp Cup	1
20	26-8060	Blade – 25 Inch	1
21	19-2140	Mower Spindle Assembly	1
22	26-4820	Decal – Deck Inst.	1
23	24-6700	Housing	1
24	3256-3	Washer	2
25	3230-2	Carriage Bolt	2
26	25-5810	Decal – Housing	1



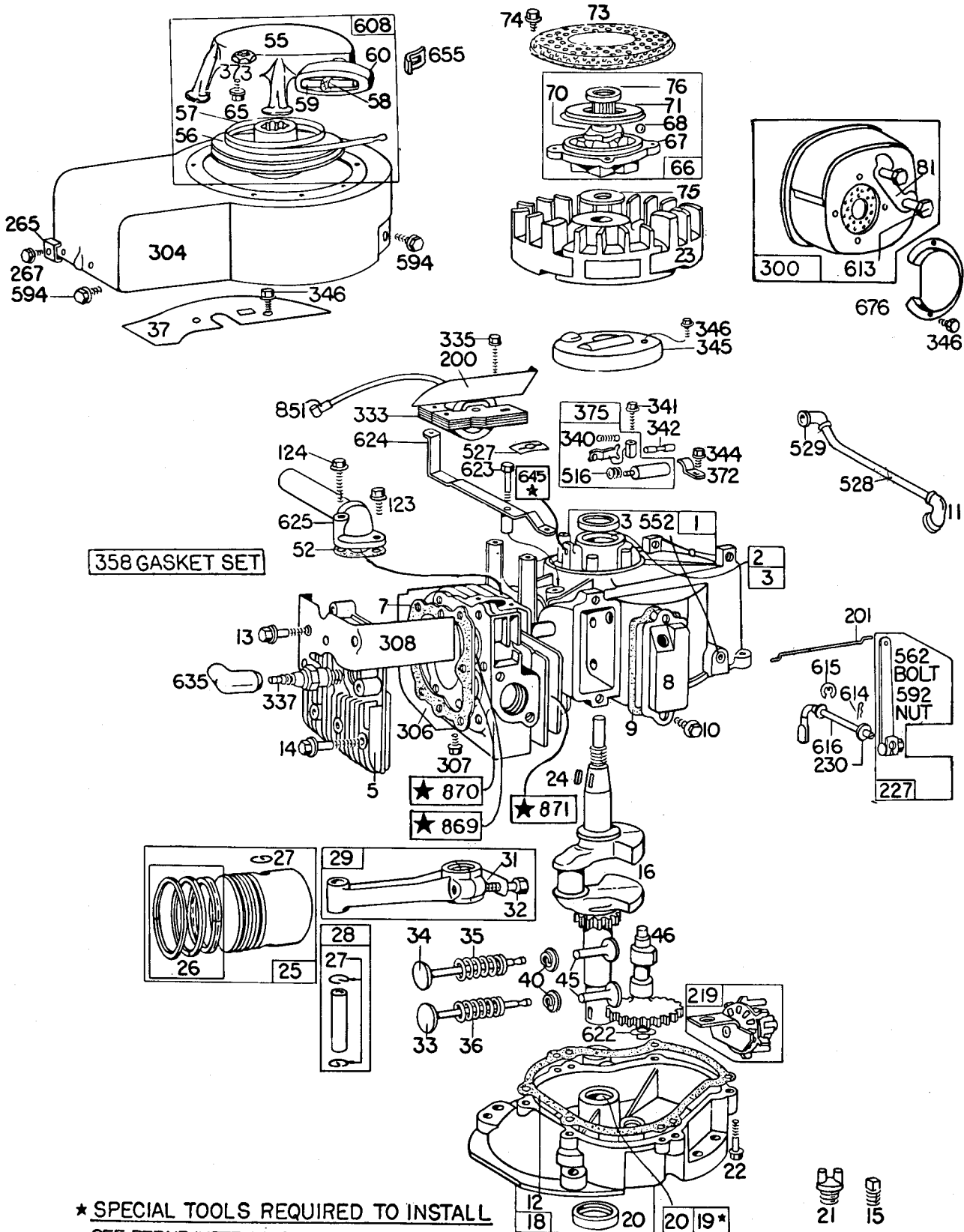
ENGINE BRIGGS & STRATTON MODEL 130902-0647-01

Ref. No.	Part No.	Description	No. Used
90	299448	Carburetor Assembly	1
95	93499	Screw - Throttle Valve to Shaft	1
96	211237	Valve - Throttle	1
97	299692	Shaft & Lever - Throttle	1
109	390076	Shaft, Lever & Valve - Choke	1
114	66594	Gasket - Needle Valve Nut	1
116	65978	Packing - Needle Valve	1
117	230590	Nut - Needle Valve	1
118	23433	Valve - Needle	1
127	22831	Plug - Welch	1
147	230591	Seat - Needle Valve	1
148	22235	Washer - Needle Valve	2
149	26336	Spring - Needle Valve	1
151	93527	Screw - Machine, Rd. Hd.	1
152	260575	Spring - Throttle Adjustment	1
163	271139	Gasket - Air Cleaner	1
180	297257	Tank Assembly - Fuel	1
181	392304	Cap - Fuel Tank	1
190	93440	Screw - Fuel Tank Mtg.	1
191	*270073	Gasket - Fuel Tank Mtg.	1
202	260654	Link - Throttle	1
209	260711	Spring - Governor	1
305	93158	Screw - Tank Bracket Mounting	1
351	91920	Screw - Machine, Fil. Hd.	1
352	66794	Washer - Insulating	1

Ref. No.	Part No.	Description	No. Used
353	92791	Washer - Lock	2
354	90576	Nut	1
355	66554	Collar - Insulating	1
356	390919	Wire - Ground	1
392	260455	Spring - Fuel Pump Diaphragm	1
394	270026	Diaphragm	1
432	221377	Cap - Spring	1
433	93265	Pin - Diaphragm Cover	1
434	210959	Cover - Diaphragm	1
435	93141	Screw - Diaphragm Cover	1
534	93374	Screw - Air Cleaner	1
535	270447	Element - Air Cleaner	1
536	299447	Cleaner Assembly - Air	1
609	260029	Spring - Throttle Link	1
611	391813	Fuel Pipe and Clip Assembly	1
612	296811	Pipe - Fuel (Plastic)	1
617	270074	Seal - Intake Elbow Tube	1
618	260648	Spring - Choke Return	1
619	93380	Screw - Control Plate Mounting	1
620	391091	Plate Assembly - Remote Carburetor Control	1
621	297472	Switch - Stop	1
634	270167	Washer - Throttle Shaft (Felt)	1
643	221321	Cup - Air Cleaner	1
681	299060	Needle Valve Kit	1

* Included in Gasket Set - Part No. 297616

ENGINE BRIGGS & STRATTON MODEL 130902-0647-01



★ SPECIAL TOOLS REQUIRED TO INSTALL
SEE REPAIR INSTRUCTION MANUAL

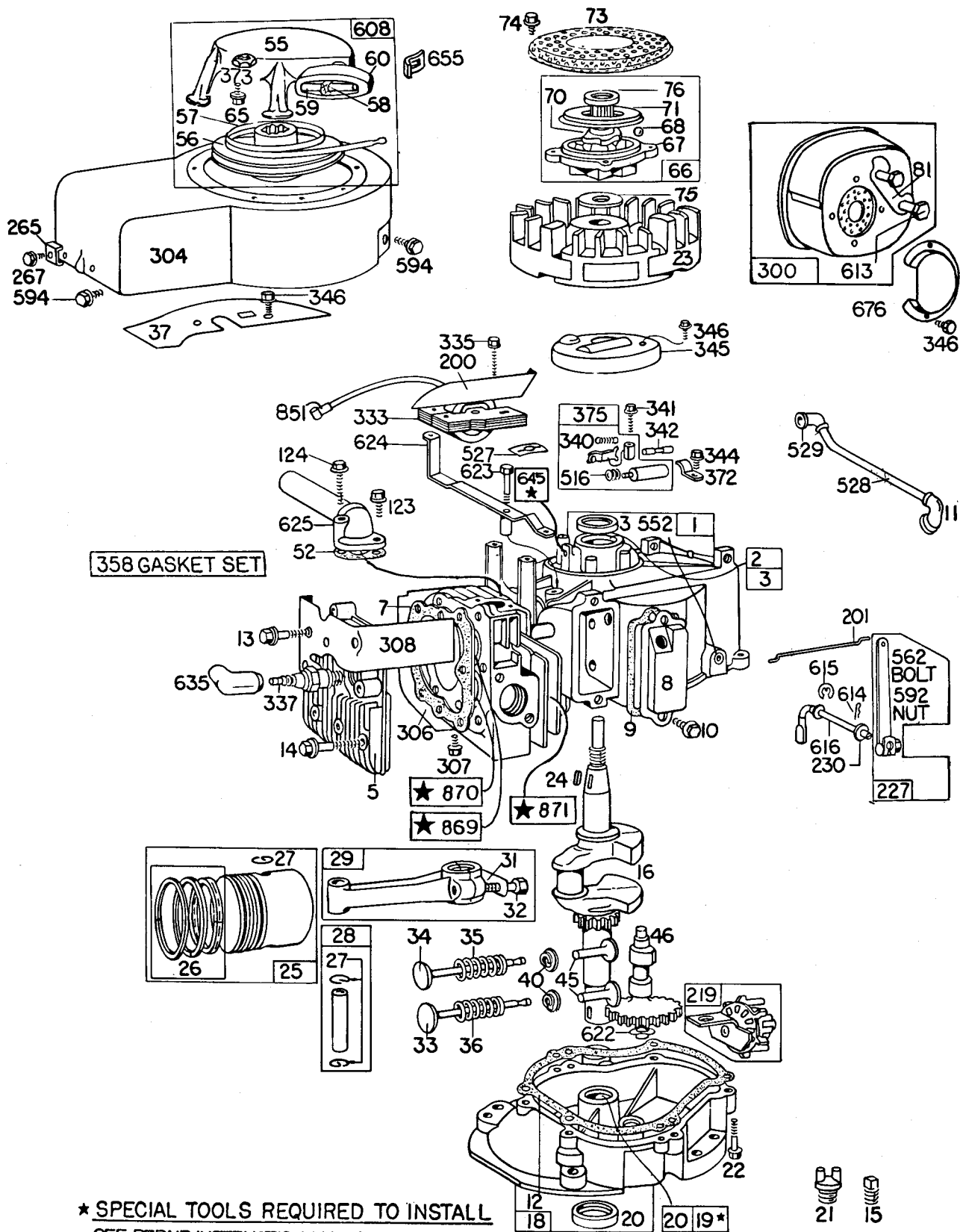
ENGINE BRIGGS & STRATTON MODEL 130902-0647-01 (Continued)

Ref. No.	Part No.	Description	No. Used
1	391981	Cylinder Assembly	1
2	297565	Bushing – Cylinder Note: Requires special tools for installation.	1
3	299819	Seal – Oil	1
5	211542	Head – Cylinder	1
7	*270383	Gasket – Cylinder Head	1
8	297261	Breather – Valve Chamber	1
9	*27549	Gasket – Valve Cover	1
10	93394	Screw – Breather Mtg.	1
11	67738	Grommet – Breather	1
12	*270069	Gasket – Crankcase – .015" Thick (Std.)	1
	*270122	Gasket – Crankcase – .005" Thick	1
	*270123	Gasket – Crankcase – .009" Thick	1
13	93368	Screw – Cylinder Head (2-3/32" Long)	1
14	93369	Screw – Cylinder Head (2-15/32" Long)	1
15	91084	Plug – Oil Drain	1
16	261045	Crankshaft	1
18	297587	Sump – Oil	1
19	297604	Bushing – Oil Sump Note: Requires special tools for installation.	1
20	391485	Seal – Oil	1
21	66768	Plug – Oil Filler	1
22	93032	Screw – Sump Mtg.	1
23	297229	Flywheel – Magneto	1
24	61760	Key – Flywheel	1
25	298904	Piston Assembly – Standard	1
	298905	Piston Assy. – .010" O.S.	1
	298906	Piston Assy. – .020" O.S.	1
	298907	Piston Assy. – .030" O.S.	1
		Piston Ring Sets: Note: For Chrome Piston Ring Set – standard size – order Part No. 299742.	
26	298982	Ring Set – Std. Piston	1
	298983	Ring Set – .010" O.S. Piston	1
	298984	Ring Set – .020" O.S. Piston	1
	298985	Ring Set – .030" O.S. Piston	1
27	26026	Lock – Piston Pin	1
28	298909	Pin Assy. – Piston – Standard	1
	298908	Pin Assy. – Piston – .005" O.S.	1
29	299429	Rod Assy. – Connecting Note: For Connecting Rod with .020" undersize Crank-pin Bore – order No. 390459	1
31	221876	Lock – Conn. Rod Screw	1
32	92296	Screw – Connecting Rod	1
33	211119	Valve – Exhaust	1

Ref. No.	Part No.	Description	No. Used
34	261044	Valve – Intake	1
35	260552	Spring – Intake Valve	1
36	26478	Spring – Exhaust Valve	1
37	222443	Guard – Flywheel	1
40	93312	Retainer – Valve Spring	1
45	260642	Tappet – Valve	1
46	211117	Gear – Cam	1
52	*270070	Gasket – Intake Elbow Mtg.	1
55	299431	Housing – Rewind Starter	1
56	295871	Pulley – Rewind Starter	1
57	294303	Spring – Rewind Starter	1
58	66894	Rope – Rewind Starter – 99" long (For use w/Plastic Pulley)	1
59	230228	Pin – Starter Rope	1
60	66728	Grip – Starter Rope	1
65	93067	Screw – Stamped Steel Rewind Starter Hsg. Mounting	1
66	298310	Clutch Assy. – Rewind Starter	1
67	212131	Housing – Starter Clutch	1
68	63770	Ball – Clutch	1
70	298436	Ratchet – Starter Clutch	1
71	221653	Washer – Clutch Retainer	1
73	221923	Screen – Rewind Starter	1
74	93490	Screw – Rotating Screen and Rectifier Mtg. (Incl. Ref. #809)	1
75	220865	Washer – Spring	1
76	68238	Washer – Ratchet Sealing	1
81	222929	Lock – Muffler Screw	1
123	93512	Screw – Intake Elbow Mtg.	1
124	93367	Screw – Intake Elbow Mtg.	1
200	221480	Guide – Air	1
201	260649	Link – Governor	1
219	297249	Oil Slinger Gear, Governor and Bracket	1
227	391967	Lever Assy. – Governor	1
230	222450	Washer – Governor Crank (1/4" I.D.)	1
265	22372	Clamp – Casing	1
267	93469	Screw – Clamp Mtg.	1
300	393615	Muffler – Exhaust (Lo-Tone)	1
304	392277	Housing – Blower	1
306	221484	Shield – Cylinder	1
307	93042	Screw	1
308	221452	Cover – Cylinder Head	1
333	298316	Armature – Magneto	1
335	93414	Screw – Armature Mtg.	1
337	293918	Plug – Spark (with gasket) (1-1/2" High – resistor type) Note: Spark plugs use Ignition Cable Terminal No. 221798.	1

*Included in Gasket Set – Part No. 297616.

ENGINE BRIGGS & STRATTON MODEL 130902-0647-01 (Continued)



ENGINE BRIGGS & STRATTON MODEL 130902-0647-01 (Continued)

Ref. No.	Part No.	Description	No. Used
340	26018	Spring — Breaker Arm	1
341	93381	Screw — Breaker Arm Mounting	1
342	65704	Plunger — Breaker Point	1
344	93042	Screw — Condenser Clamp Mtg.	1
345	220366	Cover — Breaker Point and Condenser	1
346	93705	Screw — Hex. Hd.	1
358	297616	Gasket Set	1
372	220477	Clamp — Condenser	1
373	92987	Nut — Hex	4
375	294628	Breaker Points and Condenser Set Note: 299061 Ignition Kit Includes: 294628 Point Set 65704 Plunger 61760 Key — Flywheel	1
516	260374	Spring — Connector	1
527	93376	Clip — Breather Pipe	1
528	230717	Tube — Breather	1
529	67608	Grommet — Breather Tube	1
552	231078	Bushing — Governor Shaft (1/4" I.D.)	1

Ref. No.	Part No.	Description	No. Used
562	92613	Bolt — Governor Lever	1
592	231082	Nut — Hex.	1
594	93559	Screw — Blower Housing Mounting	1
608	390463	Starter Assy. — Rewind	1
613	93549	Screw — Muffler Mtg.	1
614	93306	Cotter — Hair Pin	1
615	93307	Retainer — E-Ring	1
616	231076	Crank — Governor	1
622	260676	Washer — Spring (Used between cam gear boss and oil slinger bracket)	1
623	93838	Screw — Shoulder	1
624	297252	Lever — Linkage	1
625	297254	Elbow and Tube — Intake	1
635	66538	Elbow — Spark	1
645	23513	Bushing — Plunger	1
655	222598	Anchor — Spring	1
676	393757	Deflector — Exhaust	1
851	221798	Cable Terminal — Ignition	1
869	211787	Seat — Intake Valve (Standard)	1
870	211172	Seat — Exhaust Valve (Standard)	1
871	63709	Guide — Exhaust Valve	1

