



**EN** 21in Power Clear® Flex-Force Power System™ 60V  
MAX Commercial Snowthrower

39922T

**ES** Lanzanieves comercial Power Clear® de 53 cm (21")  
con Flex-Force Power System™ 60 V MAX

39922T

**FR** Souffleuse à neige commerciale Power Clear®  
Flex-Force Power System™ 60 V MAX de 53 cm (21 po)

39922T





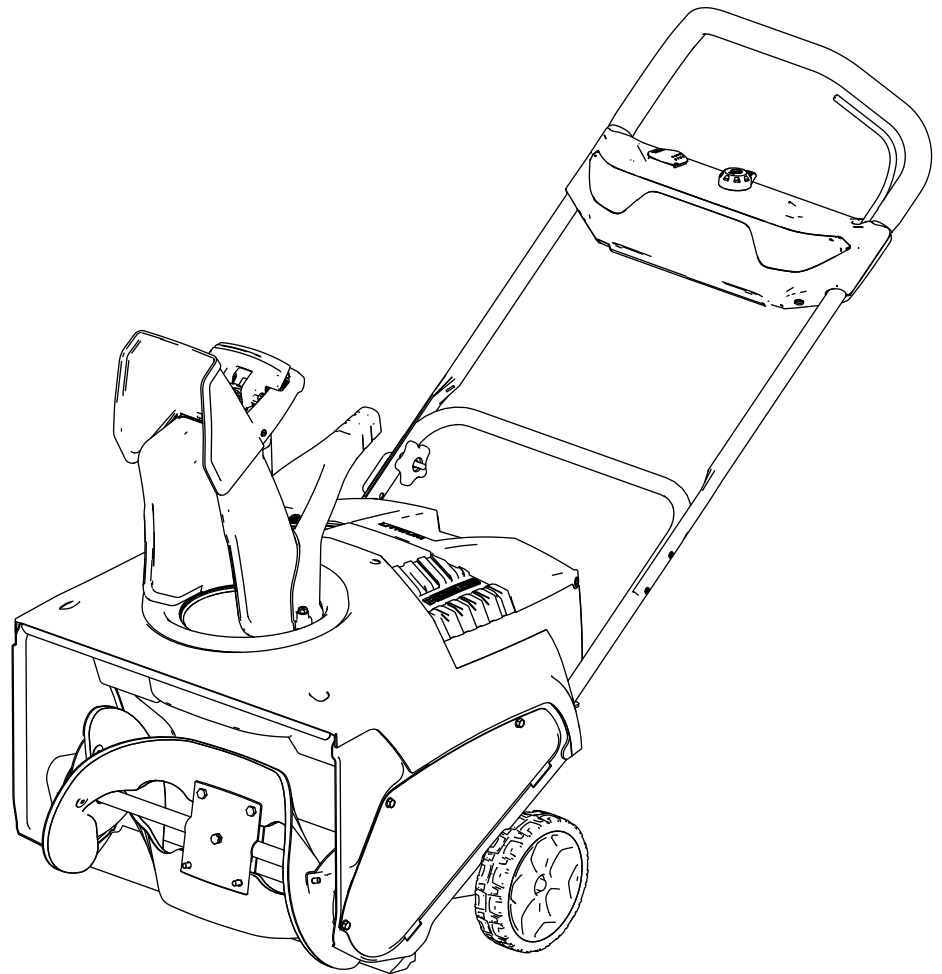


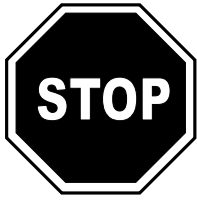
**Count on it.**

**Operator's Manual**

**21in Power Clear<sup>®</sup> Flex-Force  
Power System<sup>™</sup> 60V MAX  
Commercial Snowthrower**

Model No. 39922T—Serial No. 414441380 and Up





**For assistance, please see [www.Toro.com/support](http://www.Toro.com/support) for instructional videos or contact 1-888-384-9939 before returning this product.**

Whenever you need service, genuine Toro parts, or additional information, contact an Authorized Service Dealer or Toro Customer Service and have the model and serial numbers of your product ready. **Figure 1** identifies the location of the model and serial numbers on the product. Write the numbers in the space provided.

**⚠ WARNING**

**CALIFORNIA Proposition 65 Warning**

**Use of this product may cause exposure to chemicals known to the State of California to cause cancer, birth defects, or other reproductive harm.**

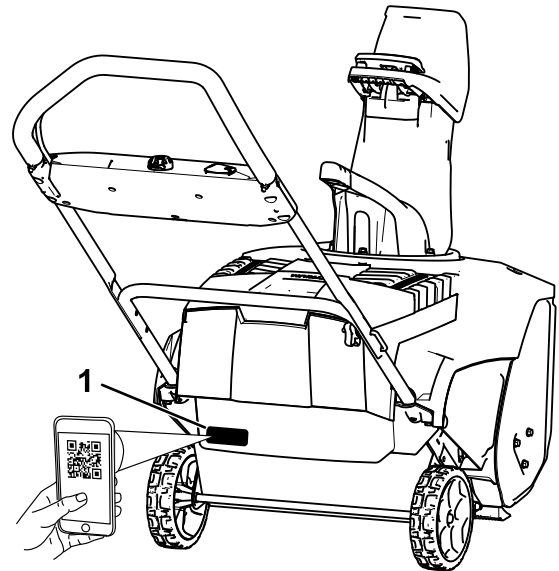
# Introduction

This machine is intended to be used by residential homeowners. It is designed for removing snow from patios, sidewalks, and small driveways. It is not designed for removing materials other than snow, nor is it designed for clearing gravel surfaces. It is designed to use Toro 60V lithium-ion battery packs. These battery packs are designed to be charged only by Toro 60V lithium-ion battery chargers. Using this product for purposes other than its intended use could prove dangerous to you and bystanders.

**Model 39922T does not include a battery or a charger.**

Read this information carefully to learn how to operate and maintain your product properly and to avoid injury and product damage. You are responsible for operating the product properly and safely.

Visit [www.Toro.com](http://www.Toro.com) for more information, including safety tips, training materials, accessory information, help finding a dealer, or to register your product.



g381459

**Figure 1**

1. Model and serial number location

Model No. _____
Serial No. _____

# Safety-Alert Symbol

The safety-alert symbol (Figure 2) shown in this manual and on the machine identifies important safety messages that you must follow to prevent accidents.



Figure 2

Safety-alert symbol

g000502

---

The safety-alert symbol appears above information that alerts you to unsafe actions or situations and is followed by the word **DANGER**, **WARNING**, or **CAUTION**.

**DANGER** indicates an imminently hazardous situation which, if not avoided, **will** result in death or serious injury.

**WARNING** indicates a potentially hazardous situation which, if not avoided, **could** result in death or serious injury.

**CAUTION** indicates a potentially hazardous situation which, if not avoided, **may** result in minor or moderate injury.

This manual uses two other words to highlight information. **Important** calls attention to special mechanical information and **Note** emphasizes general information worthy of special attention.

# Safety

## READ ALL INSTRUCTIONS

**WARNING**—When using an electrical machine, basic safety precautions should always be followed to reduce the risk of fire, electric shock, or injury, including the following:

### I. Training

1. The operator of the machine is responsible for any accidents or hazards occurring to others or their property.
2. Read and understand the contents of this *Operator's Manual* before you start the machine. Ensure that everyone using this machine knows how to use it, knows how to shut it off quickly, and understands the warnings.
3. Do not allow children to use or play with the machine, battery pack, or the battery charger; local regulations may restrict the age of the operator.
4. Do not allow children or untrained people to operate or service this device. Allow only people who are responsible, trained, familiar with the instructions, and physically capable to operate or service the device.
5. Before using the machine, battery pack, and battery charger, read all the instructions and cautionary markings on these products.
6. Become familiar with the controls and proper use of the machine, battery pack, and battery charger.

### II. Preparation

1. Keep bystanders and children out of the operating area.
2. Never allow children to operate the machine.
3. Do not operate the machine without all guards and safety devices in place and functioning properly on the machine.
4. Inspect the area where you will use the machine and remove all objects that could interfere with the operation of the machine or that the machine could throw.
5. Use only the battery pack specified by Toro. Using other accessories and attachments may increase the risk of injury and fire.
6. Plugging the battery charger into an outlet that is not 120 V can cause a fire or electric shock. Do not plug the battery charger into an outlet other than 120 V.
7. Do not use a damaged or modified battery pack or battery charger, which may exhibit

- unpredictable behavior that results in fire, explosion, or risk of injury.
- 8. If the supply cord to the battery charger is damaged, contact an Authorized Service Dealer to replace it.
- 9. Charge the battery pack with only the battery charger specified by Toro. A charger suitable for 1 type of battery pack may create a risk of fire when used with another battery pack.
- 10. Charge the battery pack in a well-ventilated area only.
- 11. Follow all charging instructions and do not charge the battery pack outside of the temperature range specified in the instructions. Otherwise, you may damage the battery pack and increase the risk of fire.
- 12. Dress properly—Wear appropriate clothing, including eye protection; long pants; substantial, slip-resistant rubber boots; and hearing protection. Tie back long hair and do not wear loose clothing or loose jewelry that can get caught in moving parts.

### III. Operation

- 1. Contact with the moving rotor will cause serious injury. Keep your hands and feet away from all moving parts of the machine. Keep clear of any discharge opening.
- 2. Stay behind the handles and away from the discharge opening while operating the machine.
- 3. Using this machine for purposes other than its intended use could prove dangerous to you and bystanders.
- 4. Prevent unintentional starting—Ensure that the electric-start button is removed from the ignition before connecting the battery pack and handling the machine.
- 5. Use your full attention while operating the machine. Do not engage in any activity that causes distractions; otherwise, injury or property damage may occur.
- 6. Stop the machine, remove the electric-start button, remove the battery pack from the machine, and wait for all movement to stop before adjusting, servicing, cleaning, or storing the machine.
- 7. Do not use the machine on a gravel surface.
- 8. Remove the battery pack and electric-start button from the machine whenever you leave it unattended or before changing accessories.
- 9. Do not force the machine—Allow the machine to do the job better and safer at the rate for which it was designed.
- 10. Stay alert—Watch what you are doing and use common sense when operating the machine. Do not use the machine while ill, tired, or under the influence of alcohol or drugs.
- 11. Operate the machine only in good visibility and appropriate weather conditions.
- 12. Use extreme caution when reversing or pulling the machine toward you.
- 13. Keep proper footing and balance at all times, especially on slopes. Use extreme caution when changing directions on slopes. Do not operate the machine on exceedingly steep slopes. Walk, never run with the machine.
- 14. When not actively clearing snow, disengage power to the auger.
- 15. Do not direct the discharge material toward anyone. Avoid discharging material against a wall or obstruction; material may ricochet toward you. Stop the machine when crossing gravel surfaces.
- 16. Never operate the machine at high transport speeds on slippery surfaces.
- 17. Exercise extreme caution when operating the machine on or crossing drives, walks, or roads. Stay alert for hidden hazards or traffic.
- 18. If the machine strikes an object or starts to vibrate, immediately shut off the machine, remove the electric-start button, remove the battery pack, and wait for all movement to stop before examining the machine for damage. Make all necessary repairs before resuming operation.
- 19. Shut off the machine whenever you leave the operating position for any reason.
- 20. Shut off the machine before unclogging the machine and always use a stick or a cleanout tool to remove the clog.
- 21. Stop the machine and remove the electric-start button before loading the machine for hauling.
- 22. Under abusive conditions, the battery pack may eject liquid; avoid contact. If you accidentally come into contact with the liquid, flush with water. If the liquid contacts your eyes, seek medical help. Liquid ejected from the battery pack may cause irritation or burns.
- 23. Do not expose a battery pack or tool to fire or excessive temperature. Exposure to fire or temperature above 130°C (265°F) may cause explosion.
- 24. CAUTION—A mistreated battery pack may present a risk of fire, explosion, or chemical burn.

- Do not disassemble the battery pack.
- Replace the battery pack with a genuine Toro battery pack only; using another type of battery pack may cause a fire or risk of injury.
- Keep battery packs out of the reach of children and in the original packaging until you are ready to use them.

12. Do not dispose of the battery in a fire. The cell may explode. Check with local codes for possible special disposal instructions.

## SAVE THESE INSTRUCTIONS

### IV. Maintenance and Storage

1. Stop the machine, remove the electric-start button, remove the battery pack from the machine, and wait for all movement to stop before adjusting, servicing, cleaning, or storing the machine.
2. Do not attempt to repair the machine except as indicated in the instructions. Have an Authorized Service Dealer perform service on the machine using identical replacement parts.
3. Wear gloves and eye protection when servicing the machine.
4. When servicing the rotor, be aware that the rotor can still move even though the power source is off.
5. For best performance, use only genuine Toro replacement parts and accessories. Other replacement parts and accessories could be dangerous, and such use could void the product warranty.
6. Maintain the machine—Keep handles dry, clean, and free from oil and grease. Keep guards in place and in working order. Use identical replacement parts only.
7. Check all fasteners at frequent intervals for proper tightness to ensure that the machine is in safe working condition.
8. Check the machine for damaged parts. Check for misaligned and binding moving parts, broken parts, mounting, and any other condition that may affect its operation. Unless indicated in the instructions, have an Authorized Service Dealer repair or replace a damaged guard or part.
9. When the battery pack is not in use, keep it away from metal objects such as paper clips, coins, keys, nails, and screws that can make a connection from 1 terminal to another. Shorting the battery terminals may cause burns or a fire.
10. When you are not using the machine, store it indoors in a dry, secure place out of the reach of children.
11. When storing the machine for more than 30 days, refer to [Storage \(page 14\)](#) for important information.

# Safety and Instructional Decals



Safety decals and instructions are easily visible to the operator and are located near any area of potential danger. Replace any decal that is damaged or missing.

**⚠ WARNING** To reduce risk of injury to persons, remove battery pack when not in use. Store indoors. For use with approved TORO 60V accessories, batteries & charger models.

**⚠ AVERTISSEMENT** Pour réduire les risques de blessures corporelles, retirez la batterie quand vous ne l'utilisez pas. Remiser à l'intérieur. À utiliser avec les accessoires, batteries et modèles de chargeurs TORO 60V approuvés.

**⚠ ADVERTENCIA** Para reducir el riesgo de lesiones a personas, retire la batería cuando no esté en uso. Únicamente para uso doméstico. Para su uso con modelos aprobados de baterías y cargadores TORO de 60 V.

**⚠ CAUTION** Use for snow removal only. **⚠ ATTENTION** Utiliser uniquement pour le déneigement.

**⚠ PRECAUCIÓN** Sólo para quitar nieve.

**⚠ WARNING:** Cancer and Reproductive Harm - [www.P65Warnings.ca.gov](http://www.P65Warnings.ca.gov). For more information, please visit [www.ttcocaprop65.com](http://www.ttcocaprop65.com)

**⚠ AVERTISSEMENT:** Cancer et Troubles de l'appareil reproducteur - [www.P65Warnings.ca.gov](http://www.P65Warnings.ca.gov). Pour plus d'informations, veuillez visiter [www.toro.com/CAProp65](http://www.toro.com/CAProp65)

**⚠ ADVERTENCIA:** Cáncer y Daño Reproductivo - [www.P65Warnings.ca.gov](http://www.P65Warnings.ca.gov). Para obtener más información, visite [www.toro.com/CAProp65](http://www.toro.com/CAProp65)

**ETL**  
us  
Intertek  
5014030  
Conforme to / Conforme à la norme / Cumples la norma: UL STD 1036  
Certified to / Certifié / Homologada según: CSA C22-2 No. 147  
CAN ICES-002 / NMB-002

**TORO** THE TORO COMPANY  
8111 Lyndale Avenue South  
Bloomington, MN 55420-1196 USA  
Country of Origin: MEXICO  
PATENT: [www.ttcopats.com](http://www.ttcopats.com)

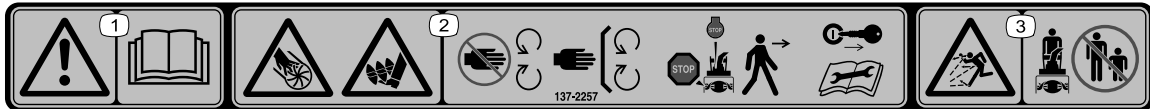
Model: **39922T** Date Code:   
Modèle / Modelo: Code de date / Código de fecha:

Serial Number:   
Numéro de série:   
Número de Serie:

161-2157

decal161-2157

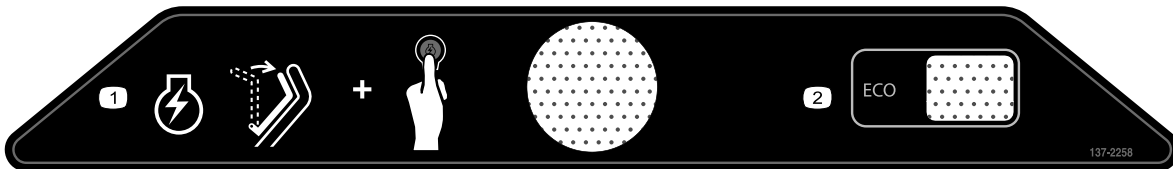
161-2157



decal137-2257

137-2257

1. Warning—read the *Operator's Manual*.
2. Cutting/dismemberment of hand hazard, impeller; cutting/entanglement of foot hazard, auger—stay away from moving parts; keep all guards and shields in place; shut off the engine and remove the key before leaving the machine; read the *Operator's Manual* before performing maintenance.
3. Thrown object hazard—keep bystanders away.



137-2258

decal137-2258

137-2258

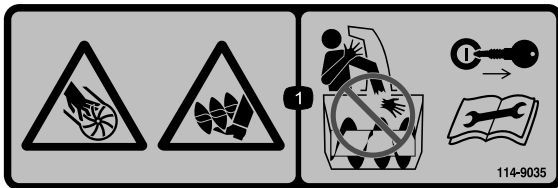
1. To start the motor, bring the bail to the handle and press the ignition button.
2. ECO





147-9420

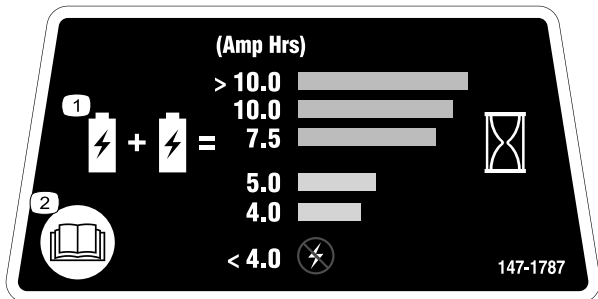
decal147-9420



114-9035

decal114-9035

1. Cutting/dismemberment hazard of hand, impeller; cutting/dismemberment hazard of foot, auger—do not place your hand in the chute; remove the key and read the *Operator's Manual* before performing maintenance.



147-1787

decal147-1787

1. The combined Ah rating of all installed batteries must be greater than 4.0Ah to start the machine, and greater than 7.5Ah for best runtime and operation.
2. Read the *Operator's Manual*.

# Setup

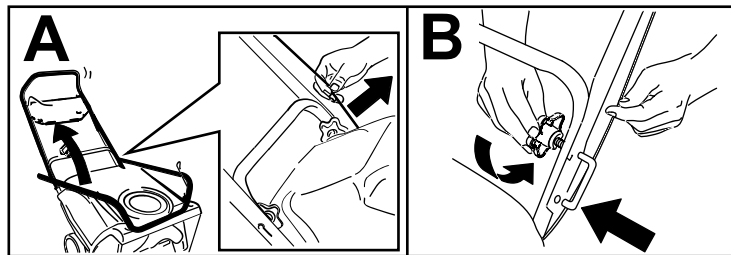
# 1

## Unfolding the Handle

Parts needed for this procedure:

2	Handle lock
2	Handle knob

### Procedure



g389401

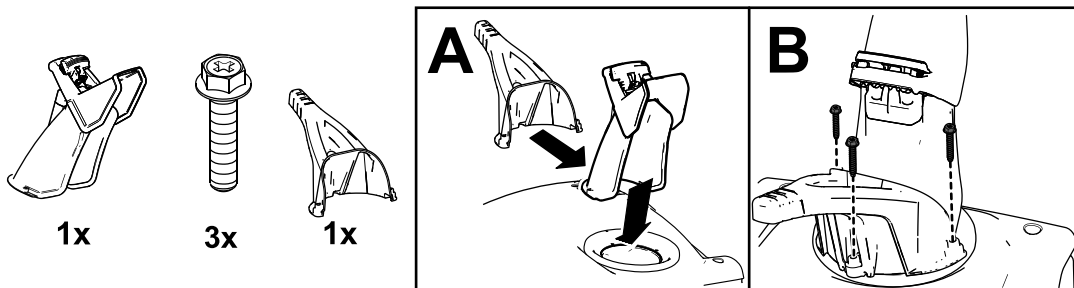
# 2

## Installing the Discharge Chute

Parts needed for this procedure:

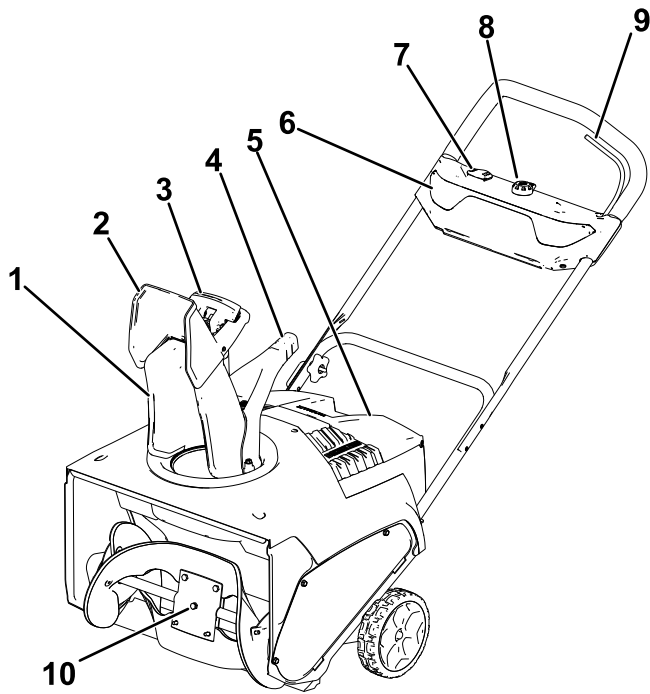
1	Discharge chute assembly
3	Hex washer head screw
1	Chute handle

### Procedure



g291515

# Product Overview



**Figure 5**

g381633

- |                            |                          |
|----------------------------|--------------------------|
| 1. Discharge chute         | 6. Headlight             |
| 2. Chute deflector         | 7. ECO switch            |
| 3. Chute-deflector trigger | 8. Electric-start button |
| 4. Chute handle            | 9. Bail                  |
| 5. Battery-compartment lid | 10. Rotor blades         |

# Specifications

## Battery Charger

<b>Model</b>	<b>39922T</b>
<b>Rated Voltage</b>	60V DC maximum, 54 VDC nominal usage
<b>Charger Type</b>	Toro 60V lithium-ion chargers
<b>Battery Type</b>	Toro 60V lithium-ion batteries

## Appropriate Temperature Ranges

Charge/store the battery pack at	5°C (41°F) to 40°C (104°F)*
Use the machine at	-30°C (-22°F) to 23°C (73°F)*
Store the machine at	-30°C (-22°F) to 49°C (120°F)*

\*Charging time will increase if you do not charge the battery within this range.

Store the machine, battery pack, and battery charger in an enclosed clean, dry area.

## Attachments/Accessories

A selection of Toro approved attachments and accessories may be available for use with the machine to enhance and expand its capabilities. Contact your Authorized Service Dealer or authorized Toro distributor or go to [www.Toro.com](http://www.Toro.com) for a list of all approved attachments and accessories.

To ensure optimum performance and continued safety certification of the machine, use only genuine Toro replacement parts and accessories. Replacement parts and accessories made by other manufacturers could be dangerous, and such use could void the product warranty.

# Operation

## Installing the Battery Pack(s)

**Important:** Use a battery pack only in temperatures that are within the appropriate range; refer to [Specifications \(page 9\)](#).

1. Make sure that the vents on the battery are clear of any dust and debris.
2. Lift up the battery-compartment lid (A of [Figure 6](#)).
3. Line up the cavity in the battery pack with the tongue on the machine and slide the battery pack into the compartment until it locks into place (B of [Figure 6](#)).
4. Close the battery-compartment lid (C of [Figure 6](#)).

**Note:** Ensure that the battery-compartment lid is completely closed and snapped into place before starting the machine.

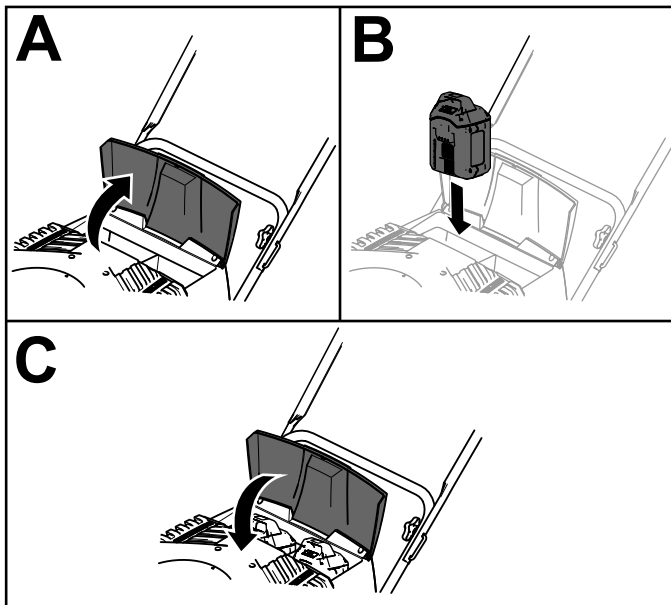


Figure 6

g381640

## Starting the Machine

1. Ensure that the battery pack (or battery packs) are installed in the machine; refer to [Installing the Battery Pack\(s\) \(page 10\)](#).
2. Insert the electric-start button into the electric starter (A of [Figure 7](#)).
3. Squeeze the bail and hold it to the handle (B and C of [Figure 7](#)).

**Note:** When you squeeze the bail, the lights turn on and the battery-charge indicator lights on the battery illuminate.

4. Press the electric-start button until the motor starts (D of [Figure 7](#)).

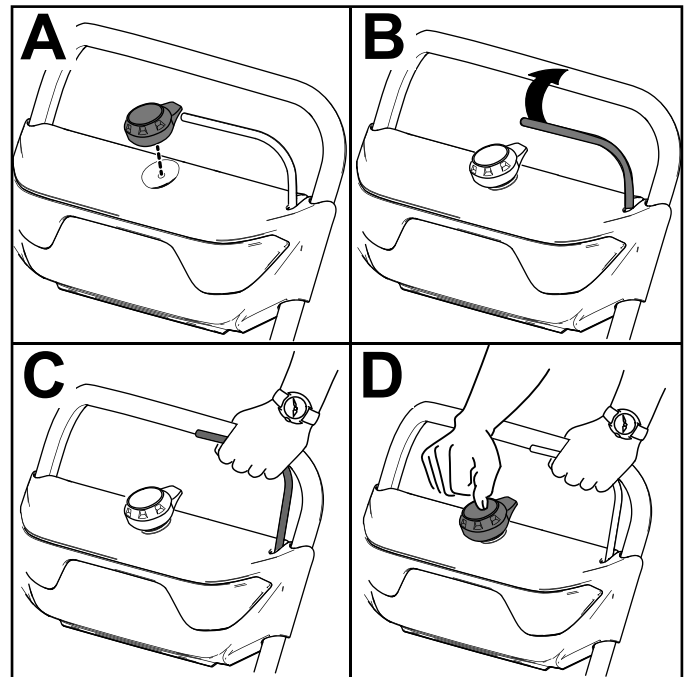


Figure 7

g288479

**Note:** This is a ground-engaging machine; rotor contact with the ground is intentional and propels the machine forward.

## Activating ECO Mode

Using ECO mode may extend battery life by reducing rotor speed; use ECO mode whenever you are moving snow a short distance. Activate ECO mode using the ECO switch as shown in [Figure 5](#).

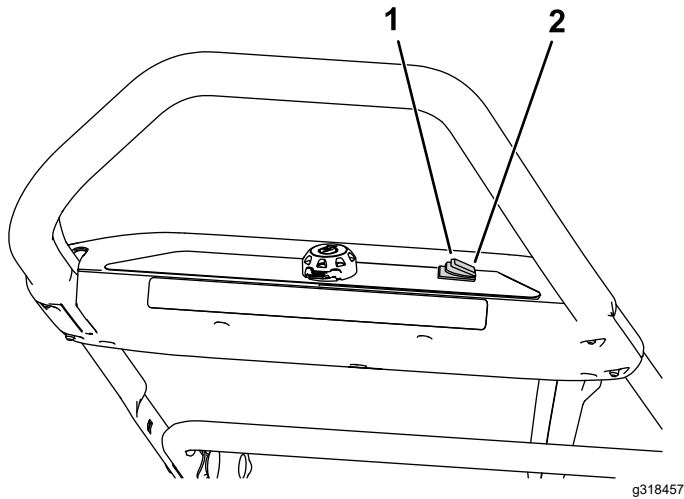


Figure 8

1. Turn ECO mode on
2. Turn ECO mode off

## Shutting Off the Machine

1. Release the bail (A of [Figure 9](#)).
2. Remove the electric-start button from the electric starter (B of [Figure 9](#)).
3. Remove the battery pack(s); refer to [Removing the Battery Pack\(s\) from the Machine](#) (page 11).

**Note:** Whenever you are not using the appliance, remove the battery pack(s).

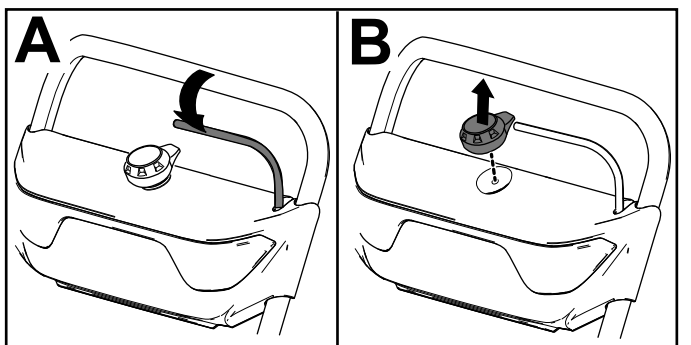


Figure 9

## Removing the Battery Pack(s) from the Machine

1. Lift up the battery-compartment lid.
2. Press the battery pack-latch to release the battery pack(s) and remove the battery pack(s).
3. Close the battery-compartment lid.

## Preventing Freeze-up after Use

- Let the motor run for a few minutes to prevent moving parts from freezing. Shut off the machine, wait for all moving parts to stop, and remove ice and snow from the machine.
- Clean off any snow and ice from the base of the chute.
- Rotate the discharge chute left and right to free it from any ice buildup.
- In snowy and cold conditions, some controls and moving parts may freeze. Do not use excessive force when trying to operate frozen controls. If you have difficulty operating any control or part, start the machine and let it run for a few minutes.

# Adjusting the Discharge Chute and Chute Deflector

To adjust the discharge chute, move the chute handle.

To adjust the chute deflector (and therefore the height of the snow stream), squeeze the trigger and raise or lower the chute deflector (Figure 10).

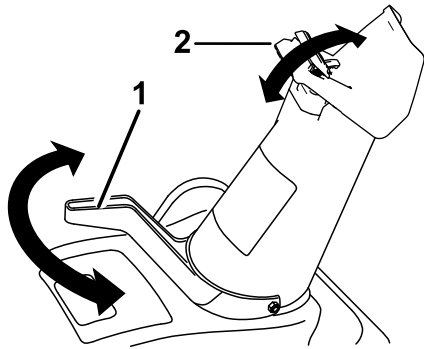


Figure 10

g278630

1. Chute handle

2. Trigger

## ⚠ WARNING

A gap between the discharge chute and the chute deflector may allow the machine to throw snow and objects in the direction of the operator. Thrown objects could cause serious personal injury.

- Do not force the chute deflector too far forward so that a gap appears between the discharge chute and chute deflector.
- Do not adjust the chute deflector with the power control bar engaged. Release the power control bar before adjusting the chute deflector.

# Clearing a Clogged Discharge Chute

If the machine is running but there is no snow coming out of the discharge chute, the discharge chute may be clogged.

## ⚠ WARNING

Contacting a rotating rotor with your hands inside the discharge chute could cause serious personal injury.

Never use your hands to clean out the discharge chute.

1. Shut off the machine, remove the electric-start button, and remove the battery pack.
2. Wait 10 seconds to ensure that the rotor blades have stopped rotating.
3. Always use a clean-out tool, not your hands, to clear the chute.

# Operating Tips

## ⚠ WARNING

The rotor can throw stones, toys, and other foreign objects and cause serious personal injury to you or bystanders.

- Keep the area to be cleared free of all objects that the rotor blades could pick up and throw.
- Keep all children and pets away from the area of operation.
- Remove the snow as soon as possible after it falls.
- Push the machine forward, but allow it to work at its own pace.
- Overlap each swath to ensure complete snow removal.
- Discharge the snow downwind whenever possible.
- If the machine does not propel itself forward on slippery surfaces or in heavy snow, push forward on the handle, but allow the machine to work at its own pace.
- The machine may leave rubber marks on new brushed or light-colored concrete. Test on an inconspicuous location before use. These marks are not permanent.

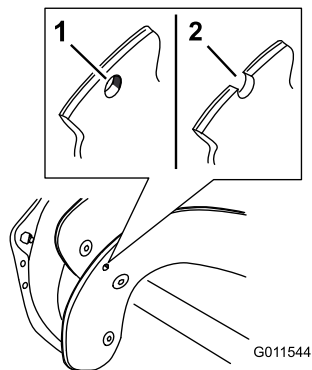
# Maintenance

Stop the machine, remove the electric-start button, remove the battery pack from the machine, and wait for all movement to stop before adjusting, servicing, cleaning, or storing the machine.

## Inspecting the Rotor Blades

**Service Interval:** Yearly—Inspect the rotor blades and have an Authorized Service Dealer replace the rotor blades and scraper if necessary.

Before each session, inspect the rotor blades for wear. When a rotor-blade edge has worn down to the wear-indicator hole, have an Authorized Service Dealer replace the rotor blades and the scraper (Figure 11).



**Figure 11**

g011544

1. The wear-indicator hole is intact; you do not need to replace the rotor blades.
2. The wear-indicator hole is exposed; replace the rotor blades and scraper.

# Storage

**Important:** Store the machine, battery pack, and charger only in temperatures that are within the appropriate range; refer to [Specifications \(page 9\)](#).

**Important:** If you are storing the battery pack for the off-season, charge it until 2 or 3 LED indicators turn green on the battery. Do not store a fully charged or fully depleted battery. When you are ready to use the machine again, charge the battery pack until the left indicator light turns green on the charger or all 4 LED indicators turn green on the battery.

- Disconnect the product from the power supply (i.e., remove the plug from the power supply or the battery pack) and check for damage after use.
- Clean all foreign material from the product.
- Do not store the tool with the battery pack installed.
- When not in use, store the machine, battery pack, and battery charger out of the reach of children.
- Keep the machine, battery pack, and battery charger away from corrosive agents, such as garden chemicals and de-icing salts.
- To reduce the risk of serious personal injury, do not store the battery pack outside or in vehicles.
- Store the machine, battery pack, and battery charger in an enclosed clean, dry area.



# Troubleshooting

Perform only the steps described in these instructions. All further inspection, maintenance, and repair work must be performed by an authorized service center or a similarly qualified specialist if you cannot solve the problem yourself.

Problem	Possible Cause	Corrective Action
The machine does not run or does not run continuously.	<ol style="list-style-type: none"> <li>1. The battery pack is low on charge.</li> <li>2. The battery is not fully installed in the machine.</li> <li>3. The battery pack is over or under the appropriate temperature range.</li> <li>4. The battery pack has exceeded high amperage limits.</li> <li>5. There is moisture on the leads of the battery pack.</li> <li>6. The battery pack is damaged.</li> <li>7. There is another electrical problem with the machine.</li> </ol>	<ol style="list-style-type: none"> <li>1. Charge the battery pack.</li> <li>2. Remove and then reseat the battery into the machine, making sure that it is fully installed and latched.</li> <li>3. Move the battery pack to a place where it is dry and the temperature is between 5°C (41°F) and 40°C (104°F).</li> <li>4. Release the trigger, then press the trigger switch.</li> <li>5. Allow the battery pack to dry or wipe it dry.</li> <li>6. Replace the battery pack.</li> <li>7. Contact your Authorized Service Dealer.</li> </ol>
The machine does not reach full power.	<ol style="list-style-type: none"> <li>1. The battery pack charge capacity is too low.</li> <li>2. The air vents are blocked.</li> </ol>	<ol style="list-style-type: none"> <li>1. Remove the battery pack from the machine and fully charge the battery pack.</li> <li>2. Clean the air vents.</li> </ol>
The machine runs, but the machine discharges snow poorly or not at all.	<ol style="list-style-type: none"> <li>1. The machine is overloaded.</li> <li>2. You are trying to remove too much snow per swath.</li> <li>3. You are trying to remove extremely heavy or wet snow.</li> <li>4. The discharge chute is plugged.</li> <li>5. The auger/impeller drive belt is loose or is off the pulley.</li> <li>6. The auger/impeller drive belt is worn or broken.</li> </ol>	<ol style="list-style-type: none"> <li>1. Push the machine with less force, or at a slower pace.</li> <li>2. Reduce the amount of snow removed per swath.</li> <li>3. Do not overload the machine with extremely heavy or wet snow.</li> <li>4. Unclog the discharge chute.</li> <li>5. Install and/or adjust the auger/impeller drive belt; refer to <a href="http://www.Toro.com">www.Toro.com</a> for servicing information or take the machine to an Authorized Service Dealer.</li> <li>6. Replace the auger/impeller drive belt; refer to <a href="http://www.Toro.com">www.Toro.com</a> for servicing information or take the machine to an Authorized Service Dealer.</li> </ol>
The battery pack loses charge quickly.	<ol style="list-style-type: none"> <li>1. The battery pack is over or under the appropriate temperature range.</li> <li>2. The machine is overloaded.</li> </ol>	<ol style="list-style-type: none"> <li>1. Move the battery pack to a place where it is dry and the temperature is between 5°C (41°F) and 40°C (104°F).</li> <li>2. Push the machine with less force.</li> </ol>
The battery charger is not working.	<ol style="list-style-type: none"> <li>1. The battery charger is over or under the appropriate temperature range.</li> <li>2. The outlet that the battery charger is plugged into does not have power.</li> </ol>	<ol style="list-style-type: none"> <li>1. Unplug the battery charger and move it to a place where it is dry and the temperature is between 5°C (41°F) and 40°C (104°F).</li> <li>2. Contact your licensed electrician to repair the outlet.</li> </ol>
The LED indicator light on the battery charger is red.	<ol style="list-style-type: none"> <li>1. The battery charger and/or battery pack is over or under the appropriate temperature range.</li> </ol>	<ol style="list-style-type: none"> <li>1. Unplug the battery charger and move the battery charger and battery pack to a place where it is dry and the temperature is between 5°C (41°F) and 40°C (104°F).</li> </ol>

Problem	Possible Cause	Corrective Action
The LED indicator light on the battery charger is blinking red.	<ol style="list-style-type: none"> <li>1. There is an error in the communication between the battery pack and the charger.</li> <li>2. The battery pack is weak.</li> </ol>	<ol style="list-style-type: none"> <li>1. Remove the battery pack from the battery charger, unplug the battery charger from the outlet, and wait 10 seconds. Plug the battery charger into the outlet again and place the battery pack on the battery charger. If the LED indicator light on the battery charger is still blinking red, repeat this procedure again. If the LED indicator light on the battery charger is still blinking red after 2 attempts, properly dispose of the battery pack at a battery recycling facility.</li> <li>2. Contact your authorized service dealer if the battery is in warranty, or properly dispose of the battery pack at a battery recycling facility.</li> </ol>
The machine is producing a beeping sound.	<ol style="list-style-type: none"> <li>1. The battery pack is not charged.</li> <li>2. The machine is overloaded.</li> <li>3. There is another electrical problem with the machine.</li> </ol>	<ol style="list-style-type: none"> <li>1. Remove the battery pack from the machine and charge it.</li> <li>2. Walk at a slower pace while clearing snow.</li> <li>3. Attempt the other troubleshooting actions, if the alarm still sounds, contact an Authorized Service Dealer.</li> </ol>

# California Proposition 65 Warning Information

## What is this warning?

You may see a product for sale that has a warning label like the following:



**WARNING: Cancer and Reproductive Harm—[www.p65Warnings.ca.gov](http://www.p65Warnings.ca.gov).**

## What is Prop 65?

Prop 65 applies to any company operating in California, selling products in California, or manufacturing products that may be sold in or brought into California. It mandates that the Governor of California maintain and publish a list of chemicals known to cause cancer, birth defects, and/or other reproductive harm. The list, which is updated annually, includes hundreds of chemicals found in many everyday items. The purpose of Prop 65 is to inform the public about exposure to these chemicals.

Prop 65 does not ban the sale of products containing these chemicals but instead requires warnings on any product, product packaging, or literature with the product. Moreover, a Prop 65 warning does not mean that a product is in violation of any product safety standards or requirements. In fact, the California government has clarified that a Prop 65 warning "is not the same as a regulatory decision that a product is 'safe' or 'unsafe.'" Many of these chemicals have been used in everyday products for years without documented harm. For more information, go to <https://oag.ca.gov/prop65/faqs-view-all>.

A Prop 65 warning means that a company has either (1) evaluated the exposure and has concluded that it exceeds the "no significant risk level"; or (2) has chosen to provide a warning based on its understanding about the presence of a listed chemical without attempting to evaluate the exposure.

## Does this law apply everywhere?

Prop 65 warnings are required under California law only. These warnings are seen throughout California in a wide range of settings, including but not limited to restaurants, grocery stores, hotels, schools, and hospitals, and on a wide variety of products. Additionally, some online and mail order retailers provide Prop 65 warnings on their websites or in catalogs.

## How do the California warnings compare to federal limits?

Prop 65 standards are often more stringent than federal and international standards. There are various substances that require a Prop 65 warning at levels that are far lower than federal action limits. For example, the Prop 65 standard for warnings for lead is 0.5 µg/day, which is well below the federal and international standards.

## Why don't all similar products carry the warning?

- Products sold in California require Prop 65 labelling while similar products sold elsewhere do not.
- A company involved in a Prop 65 lawsuit reaching a settlement may be required to use Prop 65 warnings for its products, but other companies making similar products may have no such requirement.
- The enforcement of Prop 65 is inconsistent.
- Companies may elect not to provide warnings because they conclude that they are not required to do so under Prop 65; a lack of warnings for a product does not mean that the product is free of listed chemicals at similar levels.

## Why does Toro include this warning?

Toro has chosen to provide consumers with as much information as possible so that they can make informed decisions about the products they buy and use. Toro provides warnings in certain cases based on its knowledge of the presence of one or more listed chemicals without evaluating the level of exposure, as not all the listed chemicals provide exposure limit requirements. While the exposure from Toro products may be negligible or well within the "no significant risk" range, out of an abundance of caution, Toro has elected to provide the Prop 65 warnings. Moreover, if Toro does not provide these warnings, it could be sued by the State of California or by private parties seeking to enforce Prop 65 and subject to substantial penalties.



**Count on it.**

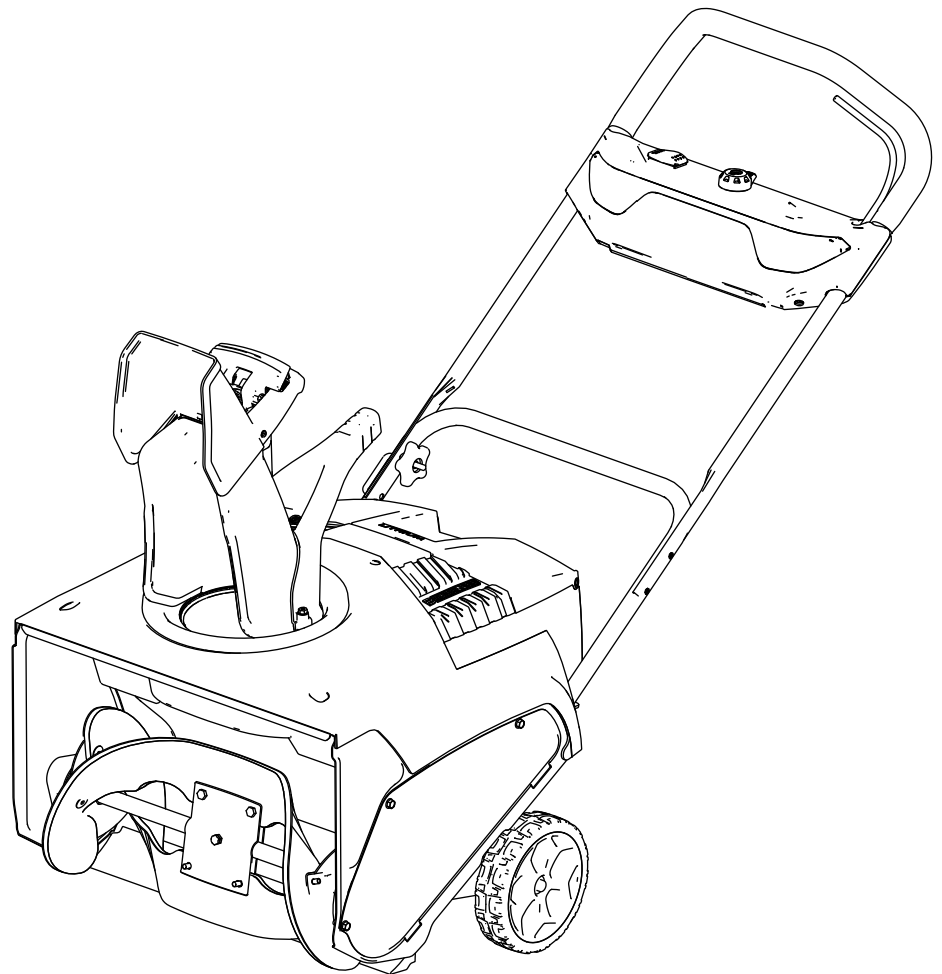


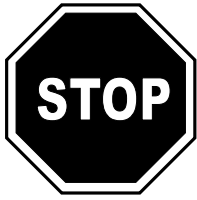
**Count on it.**

**Manual del operador**

**Lanzanieves comercial Power  
Clear<sup>®</sup> de 53 cm (21") con  
Flex-Force Power System<sup>™</sup> 60 V  
MAX**

Nº de modelo 39922T—Nº de serie 414441380 y superiores





**Si necesita ayuda, consulte los videos instruccionales en [www.Toro.com/support](http://www.Toro.com/support) o llame al 1-888-384-9939 antes de devolver este producto.**

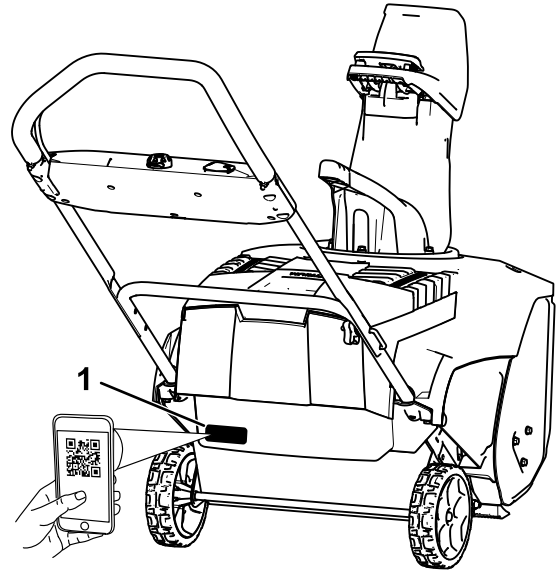
**⚠ ADVERTENCIA**

**CALIFORNIA**

**Advertencia de la Propuesta 65**

**El uso de este producto puede provocar la exposición a sustancias químicas que el Estado de California considera causantes de cáncer, defectos congénitos u otros trastornos del sistema reproductor.**

Cuando necesite asistencia técnica, piezas genuinas Toro o información adicional, póngase en contacto con un Servicio Técnico Autorizado o con Atención al cliente de Toro, y tenga a mano los números de modelo y serie de su producto. La **Figura 1** identifica la ubicación de los números de serie y de modelo en el producto. Escriba los números en el espacio provisto.



g381459

**Figura 1**

1. Ubicación de los números de modelo y de serie

Nº de modelo	_____
Nº de serie	_____

# Introducción

Esta máquina está diseñada para ser usada por usuarios domésticos. Está diseñada para quitar nieve de patios, aceras y caminos de acceso pequeños. No está diseñada para retirar materiales que no sean nieve, ni para limpiar superficies de gravilla. Está diseñada para usar baterías de ion litio de 60 V de Toro. Estas baterías están diseñadas para ser cargadas únicamente con cargadores de batería de ion litio de 60 V de Toro. El uso de este producto para otros propósitos que los previstos podría ser peligroso para usted y para otras personas.

**El Modelo 39922T no incluye batería ni cargador.**

Lea este manual detenidamente para aprender a utilizar y mantener correctamente su producto, y para evitar lesiones y daños al producto. Usted es responsable de utilizar el producto de forma correcta y segura.

Visite [www.Toro.com](http://www.Toro.com) para obtener más información, incluidos consejos de seguridad, materiales de formación, información sobre accesorios, ayuda para encontrar a un distribuidor o para registrar su producto.

# Símbolo de alerta de seguridad

El símbolo de alerta de seguridad (Figura 2) que aparece en este manual y en la máquina identifica mensajes de seguridad importantes que usted debe observar para evitar accidentes.



Figura 2

Símbolo de alerta de seguridad

g000502

---

El símbolo de alerta de seguridad aparece encima de información que le alerta ante acciones o situaciones inseguras, y va seguido de la palabra **PELIGRO**, **ADVERTENCIA**, o **CUIDADO**.

**PELIGRO:** Indica una situación peligrosa inminente, que si no se evita, **causará** la muerte o lesiones graves.

**ADVERTENCIA** indica una situación potencialmente peligrosa que si no se evita, **podría** causar la muerte o lesiones graves.

**CUIDADO:** Indica una situación potencialmente peligrosa que si no se evita, **podría** causar lesiones menores o moderadas.

Este manual utiliza dos palabras más para resaltar información. **Importante** llama la atención sobre información mecánica especial, y **Nota** resalta información general que merece una atención especial.

# Seguridad

## LEA TODAS LAS INSTRUCCIONES

**ADVERTENCIA** – cuando se utiliza una máquina eléctrica, es necesario observar unas normas básicas de seguridad, incluyendo las siguientes, a fin de reducir el riesgo de incendio, descarga eléctrica o lesiones:

### I. Formación

1. El operador de la máquina es responsable de cualquier accidente o peligro que afecte a otras personas o a su propiedad.
2. Lea y comprenda el contenido de este *Manual del operador* antes de arrancar la máquina. Asegúrese de que todas las personas que utilicen esta máquina sepan cómo utilizarla, sepan cómo apagarla rápidamente y comprendan las advertencias.
3. No deje que los niños utilicen o jueguen con la máquina, la batería o el cargador de la batería; la normativa local puede restringir la edad del operador.
4. No permita que este dispositivo sea utilizado o mantenido por niños o por personas que no hayan recibido la formación adecuada. Sólo permita que manejen o revisen el dispositivo personas responsables, formadas, familiarizadas con las instrucciones y físicamente capaces de utilizar o revisar la máquina.
5. Antes de utilizar la máquina, la batería y el cargador de la batería, lea todas las instrucciones y símbolos de advertencia de estos productos.
6. Familiarícese con los controles y con el uso correcto de la máquina, la batería y el cargador de la batería.

### II. Preparación

1. Mantenga a otras personas y a los niños alejados de la zona de trabajo.
2. Nunca permita que la máquina sea utilizada por niños.
3. No haga funcionar la máquina sin que todos los protectores y dispositivos de seguridad estén colocados y que funcionen correctamente en la máquina.
4. Inspeccione el área donde se va a utilizar la máquina, y retire cualquier objeto que pudiera interferir con el funcionamiento de la máquina o que pudiera ser arrojado por la máquina.

5. Utilice únicamente la batería especificada por Toro. El uso de otros accesorios puede aumentar el riesgo de incendio y lesiones.
  6. Si se enchufa el cargador en una toma de corriente que no sea de 120 voltios, puede causar un incendio o una descarga eléctrica. No enchufe el cargador en una toma de corriente que no sea de 120 voltios.
  7. No utilice la batería o el cargador de la batería si están dañados o modificados, porque podrían mostrar un comportamiento impredecible con resultado de incendio, explosión o riesgo de lesiones.
  8. Si el cable de alimentación del cargador de la batería está dañado, póngase en contacto con un Servicio Técnico Autorizado para cambiarlo.
  9. Cargue la batería únicamente con el cargador de batería especificado por Toro. Un cargador diseñado para un tipo determinado de batería puede crear un riesgo de incendio si se utiliza con otra batería.
  10. Cargue la batería únicamente en una zona bien ventilada.
  11. Siga todas las instrucciones de carga y no cargue la batería si la temperatura está fuera del intervalo especificado en las instrucciones. De lo contrario, podría dañar la batería y aumentar el riesgo de incendio.
  12. Vestimenta adecuada – lleve ropa adecuada, incluida protección ocular, pantalón largo, botas de goma resistentes y antideslizantes, y protección auditiva. Si tiene el pelo largo, recójase, y no lleve prendas holgadas o joyas sueltas que puedan quedar atrapadas en las piezas móviles.
6. pudiera distraerle; de lo contrario, pueden producirse lesiones o daños materiales.
  6. Pare la máquina, retire el botón de arranque eléctrico, retire la batería de la máquina y espere a que se detenga todo movimiento antes de ajustar, revisar, limpiar o almacenar la máquina.
  7. No utilice la máquina sobre superficies de grava.
  8. Retire la batería y el botón de arranque eléctrico de la máquina antes de dejarla desatendida o antes de cambiar de accesorio.
  9. No fuerce la máquina – deje que la máquina haga el trabajo mejor y con más seguridad a la velocidad para la que fue diseñada.
  10. Manténgase alerta – esté atento a lo que está haciendo y utilice el sentido común mientras trabaje con la máquina. No utilice la máquina si está enfermo, cansado, o bajo la influencia de alcohol o drogas.
  11. Utilice la máquina solo en buenas condiciones de visibilidad y bajo condiciones meteorológicas apropiadas.
  12. Extreme las precauciones al ir hacia atrás o tirar de la máquina hacia usted.
  13. Pise firme y mantenga el equilibrio en todo momento, sobre todo en pendientes. Extreme las precauciones al cambiar de dirección en cuestas o pendientes. No utilice la máquina en pendientes extremadamente pronunciadas. Camine, no corra nunca con la máquina.
  14. Cuando no esté utilizando la máquina para despejar la nieve, desengrane la transmisión del sinfín.
  15. No dirija el material de descarga hacia nadie. Evite descargar material contra una pared u otra obstrucción; el material podría rebotar hacia usted. Pare la máquina al cruzar superficies de grava.

### III. Operación

1. Cualquier contacto con el rotor en movimiento causará lesiones graves. Mantenga las manos y los pies alejados de todas las piezas en movimiento de la máquina. Manténgase alejado de cualquier apertura de descarga.
2. Permanezca detrás de las empuñaduras y alejado del conducto de descarga mientras utiliza la máquina.
3. El uso de esta máquina para otros propósitos que los previstos podría ser peligroso para usted y para otras personas.
4. Evite el arranque accidental – asegúrese de que el botón de arranque eléctrico se retira del encendido antes de conectar la batería y manejar la máquina.
5. Dedique toda su atención al manejo de la máquina. No realice ninguna actividad que
16. Nunca utilice la máquina a grandes velocidades de avance sobre superficies resbaladizas.
17. Extreme las precauciones al cruzar o conducir la máquina sobre caminos, senderos o carreteras. Esté alerta a obstáculos ocultos y a otros vehículos.
18. Si la máquina golpea un objeto o empieza a vibrar, apague inmediatamente la máquina, retire el botón de arranque eléctrico, retire la batería y espere a que se detenga todo movimiento antes de examinar la máquina en busca de daños. Haga todas las reparaciones necesarias antes de volver a utilizar la máquina.
19. Apague la máquina antes de abandonar la posición del operador por cualquier motivo.



20. Apague la máquina antes de desatascarla, y utilice siempre un palo o una herramienta de limpieza para eliminar el atasco.
21. Pare la máquina y retire el botón de arranque eléctrico antes de cargar la máquina para el transporte.
22. En condiciones abusivas, la batería puede expulsar líquido; evite el contacto. En caso de un contacto accidental con el líquido, enjuague con agua. Si el líquido entra en contacto con sus ojos, busque ayuda médica. El líquido expulsado de la batería puede causar irritación o quemaduras.
23. No exponga la batería o el cargador al fuego o a temperaturas excesivas. La exposición al fuego o a temperaturas superiores a los 130 °C (265 °F) puede causar una explosión.
24. CUIDADO – una batería maltratada puede representar un riesgo de incendio, explosión o quemadura química.
  - No desmonte la batería.
  - Sustituya la batería únicamente por una batería Toro genuina; el uso de otro tipo de batería podría provocar un incendio o un riesgo de lesión.
  - Mantenga las baterías fuera del alcance de los niños y en el embalaje original hasta su uso.
7. Compruebe frecuentemente que todas las fijaciones están correctamente apretadas para que la máquina se mantenga en perfectas condiciones de funcionamiento.
8. Inspeccione la máquina en busca de piezas dañadas. Compruebe que las piezas móviles están correctamente alineadas y que se mueven libremente sin agarrotarse, que están correctamente montadas, que no hay piezas rotas, y que no hay otras circunstancias que pudieran afectar a su uso. A menos que se indique lo contrario en las instrucciones, haga que un Servicio Técnico Autorizado repare o sustituya cualquier protector o componente dañado.
9. Cuando la batería no está en uso, debe mantenerse alejada de objetos metálicos como clips, monedas, llaves, clavos y tornillos que pudieran hacer una conexión entre un terminal y otro. Un cortocircuito entre los terminales de la batería puede causar quemaduras o un incendio.
10. Cuando no esté utilizando la máquina, guárdela en un lugar cerrado, seco y seguro, fuera del alcance de los niños.
11. Cuando vaya a almacenar la máquina durante más de 30 días, consulte la información importante de la sección [Almacenamiento \(página 14\)](#).
12. No tire la batería usada al fuego. La celda puede explosionar. Compruebe si la normativa local contiene alguna instrucción especial sobre la eliminación de las baterías.

#### IV. Mantenimiento y almacenamiento

1. Pare la máquina, retire el botón de arranque eléctrico, retire la batería de la máquina y espere a que se detenga todo movimiento antes de ajustar, revisar, limpiar o almacenar la máquina.
2. No intente reparar la máquina, salvo con arreglo a lo indicado en las instrucciones. Haga que un Servicio Técnico Autorizado realice el mantenimiento de la máquina usando piezas de repuesto idénticas.
3. Lleve guantes y protección ocular al realizar el mantenimiento de la máquina.
4. Al realizar el mantenimiento del rotor, sepa que el rotor puede moverse aunque la fuente de alimentación esté apagada.
5. Para obtener el mejor rendimiento, utilice solamente piezas y accesorios genuinos de Toro. Otros accesorios y piezas de repuesto podrían ser peligrosos, y dicho uso podría invalidar la garantía del producto.
6. Mantenimiento de la máquina – mantenga el manillar seco, limpio y libre de aceite y grasa. Mantenga los protectores colocados y en buen estado de funcionamiento. Utilice solamente piezas de repuesto idénticas.

## GUARDE ESTAS INSTRUCCIONES

# Pegatinas de seguridad e instrucciones

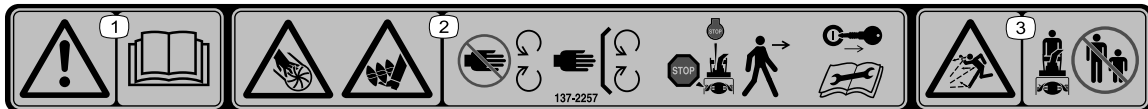


Las pegatinas y las instrucciones de seguridad están a la vista del operador y están ubicadas cerca de cualquier zona de peligro potencial. Sustituya cualquier pegatina que esté dañada o que falte.



decal161-2157

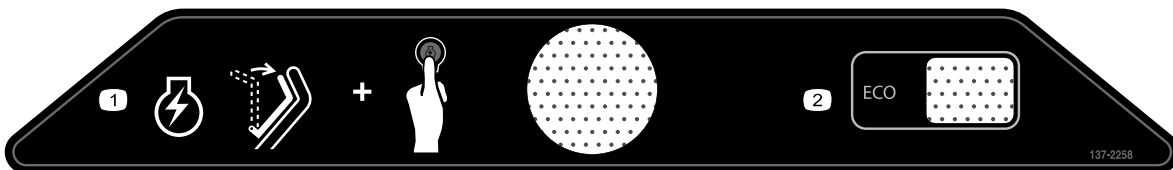
161-2157



decal137-2257

137-2257

1. Advertencia – lea el *Manual del operador*.
2. Peligro de corte/desmembramiento de la mano, impulsor; peligro de corte/enredamiento del pie, sinfin – no se acerque a las piezas en movimiento; mantenga colocados todos los protectores; apague el motor y retire la llave antes de abandonar la máquina; lea el *Manual del operador* antes de realizar cualquier tarea de mantenimiento.
3. Peligro de objetos arrojados – mantenga alejadas a otras personas.



decal137-2258

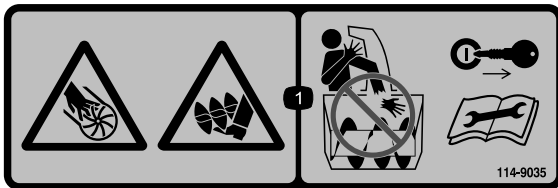
137-2258

1. Para arrancar el motor, apriete la barra de control contra el manillar y pulse el botón de encendido.
2. ECO



147-9420

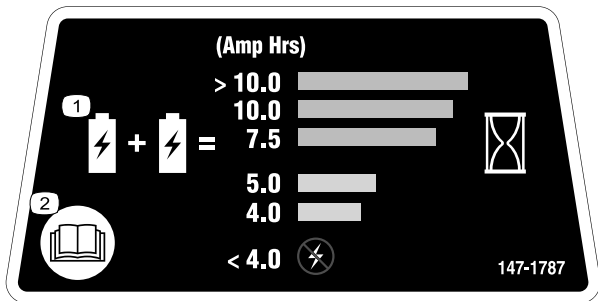
decal147-9420



114-9035

decal114-9035

1. Peligro de corte/desmembramiento de la mano, impulsor; peligro de corte/desmembramiento del pie, sinfín – no introduzca la mano en el conducto; retire la llave y lea el *Manual del operador* antes de realizar cualquier tarea de mantenimiento.



147-1787

decal147-1787

1. Los Ah combinados de todas las baterías instaladas debe ser superior a 4.0 Ah para arrancar la máquina, y superior a 7.5 Ah para obtener la mejor autonomía y prestaciones.
2. Lea el *Manual del operador*.

# Montaje

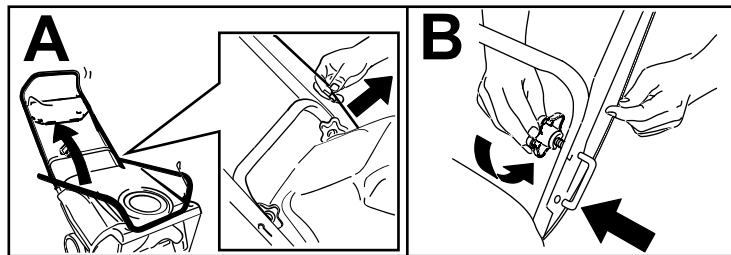
# 1

## Despliegue del manillar

Piezas necesarias en este paso:

2	Bloqueo del manillar
2	Pomo del manillar

### Procedimiento



g389401

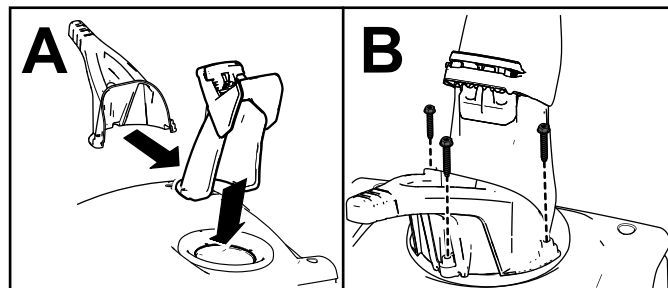
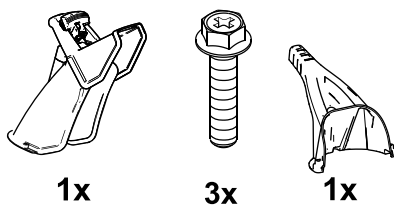
# 2

## Instalación del conducto de descarga

Piezas necesarias en este paso:

1	Conjunto del conducto de descarga
3	Tornillo de cabeza hexagonal con arandela prensada
1	Palanca del conducto

### Procedimiento



g291515

# El producto

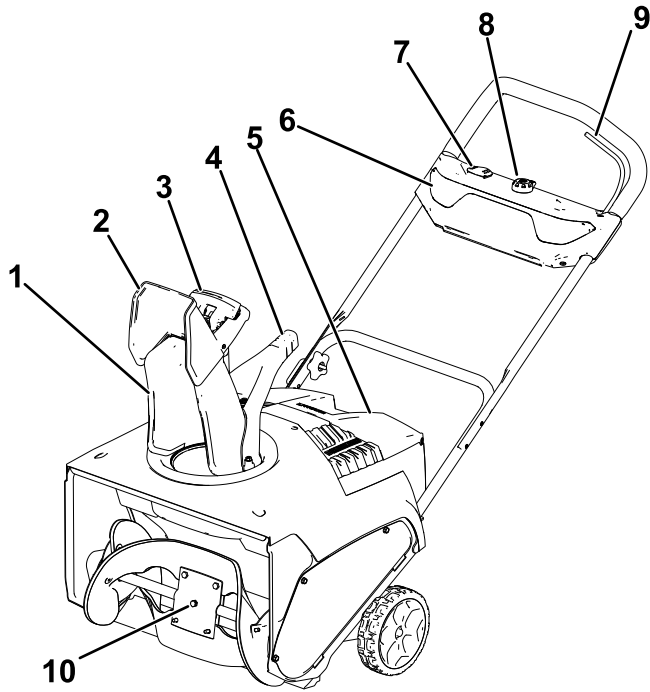


Figura 5

- |   |                                |
|---|--------------------------------|
| 1. Conducto de descarga                 | 6. Faro                        |
| 2. Deflector del conducto               | 7. Interruptor ECO             |
| 3. Gatillo del deflector del conducto   | 8. Botón de arranque eléctrico |
| 4. Palanca del conducto                 | 9. Barra                       |
| 5. Tapa del compartimento de la batería | 10. Palas del rotor            |

g381633

# Especificaciones

## Cargador de baterías

Modelo	39922T
Voltaje nominal	Máximo 60 VCC, uso nominal 54 VCC
Tipo de cargador	Cargadores de ion litio Toro de 60 V
Tipo de batería	Baterías de ion litio Toro de 60 V

## Intervalos de temperatura adecuados

Cargue/guarde la batería a	5 °C a 40 °C (41 °F a 104 °F)*
Utilice la máquina a	-30 °C (-22 °F) a 23 °C (73 °F)*
Guarde la máquina a	-30 °C (-22 °F) a 49 °C (120 °F)*

\*El tiempo de carga será mayor si la temperatura no está en este intervalo durante la carga.

Guarde la máquina, la batería y el cargador en un lugar cerrado, limpio y seco.

## Aperos/Accesorios

Puede estar disponible una selección de aperos y accesorios homologados por Toro para su uso con la máquina a fin de potenciar y aumentar sus prestaciones. Póngase en contacto con su Servicio Técnico Autorizado o con su distribuidor autorizado Toro, o visite [www.Toro.com](http://www.Toro.com) para obtener una lista de todos los aperos y accesorios homologados.

Para asegurar un rendimiento óptimo y mantener la certificación de seguridad de la máquina, utilice solamente piezas y accesorios genuinos Toro. Las piezas de recambio y accesorios de otros fabricantes podrían ser peligrosos, y su uso podría invalidar la garantía del producto.

# Operación

## Instalación de la(s) batería(s)

**Importante:** Utilice la batería solo a temperaturas que estén dentro del intervalo apropiado; consulte [Especificaciones \(página 9\)](#).

1. Compruebe que los orificios de ventilación de la batería están libres de polvo y residuos.
2. Levante la tapa del compartimento de la batería ([Figura 6, A](#)).
3. Alinee el hueco de la batería con la lengüeta de la máquina, e introduzca la batería en el compartimento hasta que se enganche en su lugar ([Figura 6, B](#)).
4. Cierre la tapa del compartimento de la batería ([Figura 6, C](#)).

**Nota:** Asegúrese de que la tapa del compartimento de la batería está totalmente cerrada y enganchada en su sitio antes de arrancar la máquina.

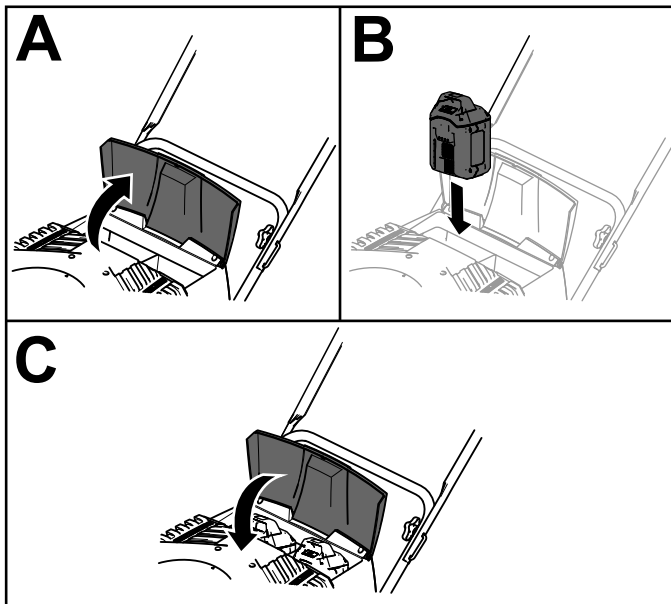


Figura 6

g381640

## Arranque de la máquina

1. Asegúrese de que hay una o más baterías instaladas en la máquina; consulte [Instalación de la\(s\) batería\(s\) \(página 10\)](#).
2. Inserte el botón de arranque eléctrico en el arrancador eléctrico ([Figura 7, A](#)).
3. Apriete la barra y sujétela contra el manillar ([Figura 7, B y C](#)).

**Nota:** Cuando se aprieta la barra, se encienden las luces y se encienden los indicadores de carga de la batería.

4. Pulse el botón de arranque eléctrico hasta que el motor arranque ([Figura 7, D](#)).

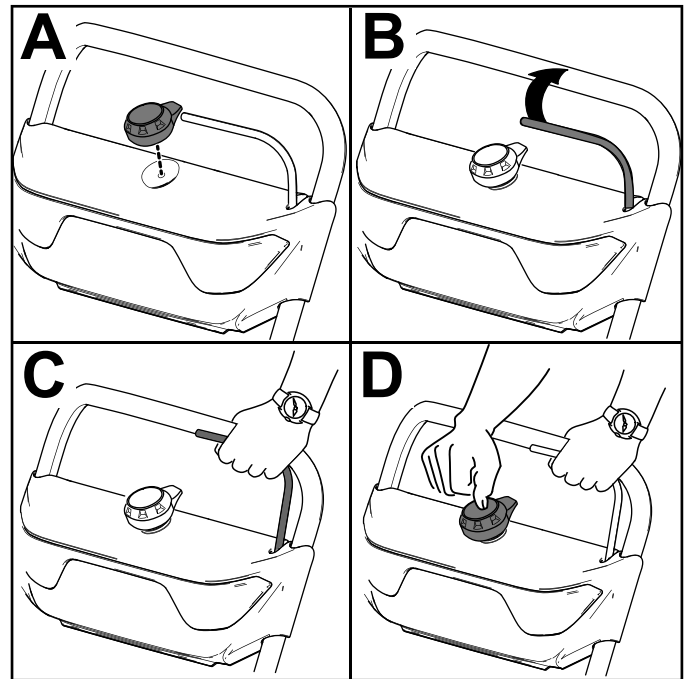


Figura 7

g288479

**Nota:** Esta máquina hace contacto con el suelo; el contacto del rotor con el suelo es intencionado y propulsa la máquina hacia adelante.

## Activación del modo ECO

El uso del modo ECO puede alargar la vida de la batería al reducir la velocidad del rotor; utilice el modo ECO para mover la nieve a corta distancia. Active el modo ECO usando el interruptor ECO como se muestra en la [Figura 5](#).

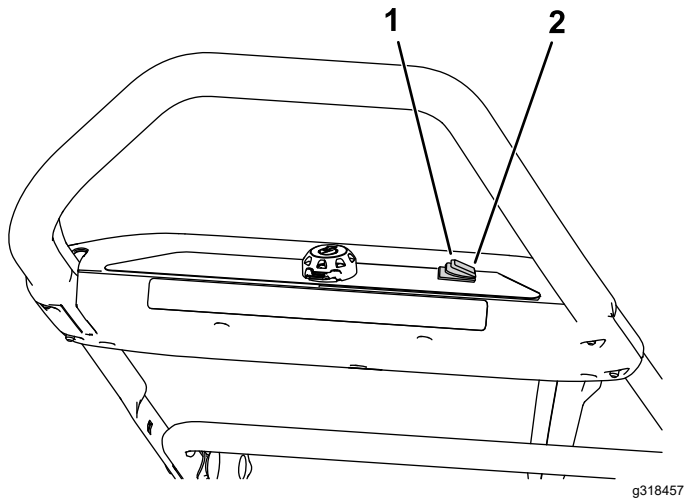


Figura 8

1. Activar el modo ECO
2. Activar el modo ECO

## Apagado de la máquina

1. Suelte la barra ([Figura 9, A](#)).
2. Retire el botón de arranque eléctrico del arrancador eléctrico ([Figura 9, B](#)).
3. Retire la(s) batería(s); consulte [Cómo retirar la/s batería\(s\) de la máquina](#) (página 11).

**Nota:** Si no va a utilizar el aparato, retire la/las batería(s).

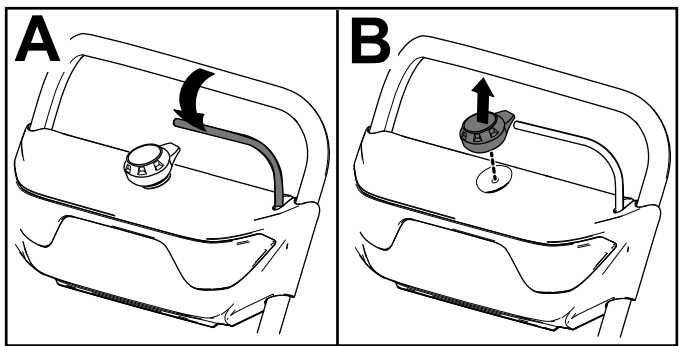


Figura 9

## Cómo retirar la/s batería(s) de la máquina

1. Levante la tapa del compartimento de las baterías.
2. Presione el cierre de la batería para liberar la/s batería(s), y retire la/s batería(s).
3. Cierre la tapa del compartimento de las baterías.

## Para evitar la congelación después del uso

- Deje el motor en marcha durante unos minutos para evitar que las piezas móviles se congelen. Apague la máquina, espere a que se detengan todas las piezas en movimiento y elimine el hielo y la nieve de la máquina.
- Limpie el hielo y la nieve de la base del conducto.
- Gire el conducto de descarga a la izquierda y a la derecha para liberarlo de cualquier acumulación de hielo.
- En condiciones de mucha nieve o frío, algunos controles y piezas móviles pueden congelarse. No utilice una fuerza excesiva al intentar accionar los controles si están congelados. Si tiene dificultades para hacer funcionar cualquier control o componente, arranque la máquina y déjela en marcha durante unos minutos.

# Ajuste del conducto de descarga y del deflector del conducto

Para ajustar el conducto de descarga, mueva la palanca del conducto de descarga.

Para ajustar el deflector del conducto (y por tanto la altura del chorro de nieve), apriete el gatillo y eleve o baje el deflector del conducto (Figura 10).

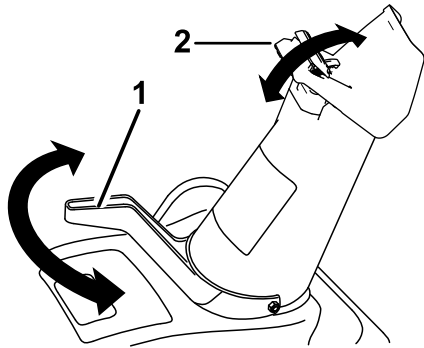


Figura 10

g278630

1. Palanca del conducto      2. Gatillo

## ⚠ ADVERTENCIA

Cualquier espacio entre el conducto de descarga y el deflector del conducto puede hacer que la máquina arroje nieve y otros objetos hacia el operador. Los objetos arrojados pueden causar lesiones personales graves.

- No empuje el deflector del conducto hacia adelante hasta tal punto que aparezca un espacio entre el conducto de descarga y el deflector del conducto.
- No ajuste el deflector del conducto con la barra de control de la tracción engranada. Suelte la barra de control de la transmisión antes de ajustar el deflector del conducto.

# Cómo limpiar un conducto de descarga atascado

Si la máquina está en marcha pero no sale nieve por el conducto de descarga, el conducto puede estar atascado.

## ⚠ ADVERTENCIA

**El contacto con un rotor en movimiento con las manos dentro del conducto de descarga podría causar lesiones personales graves.**

**Nunca utilice las manos para limpiar el conducto de descarga.**

1. Apague la máquina, retire el botón de arranque eléctrico y retire la batería.
2. Espere 10 segundos para asegurarse de que las palas del rotor han dejado de girar.
3. Utilice siempre una herramienta de limpieza, no las manos, para limpiar el conducto.

# Consejos de uso

## ⚠ ADVERTENCIA

**El rotor puede arrojar piedras, juguetes y otros objetos extraños, causando graves lesiones personales a usted o a otras personas.**

- Mantenga la zona a limpiar libre de cualquier objeto que las palas del rotor pudieran recoger y arrojar.
- Mantenga a los niños y los animales domésticos alejados de la zona de trabajo.
- Retire la nieve lo antes posible después de la nevada.
- Empuje la máquina hacia adelante, pero deje que funcione a su propio ritmo.
- Solape cada pasada para asegurar la eliminación completa de la nieve.
- Descargue la nieve a favor del viento siempre que sea posible.
- Si la máquina no avanza automáticamente sobre superficies resbaladizas o en nieve profunda, empuje hacia adelante sobre el manillar, pero deje que la máquina trabaje a su propio ritmo.
- La máquina puede dejar marcas de goma en hormigón nuevo o de color claro. Probar en un lugar poco visible antes del uso. Estas marcas no son permanentes.



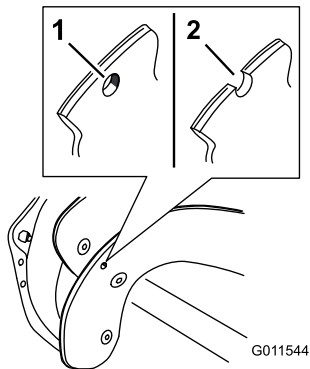
# Mantenimiento

Pare la máquina, retire el botón de arranque eléctrico, retire la batería de la máquina y espere a que se detenga todo movimiento antes de ajustar, revisar, limpiar o almacenar la máquina.

## Inspección de las palas del rotor

**Intervalo de mantenimiento:** Cada año—Inspeccione las palas del rotor y haga que un Servicio Técnico Autorizado cambie las palas del rotor y el rascador si es necesario.

Antes de cada sesión, inspeccione las palas del rotor en busca de señales de desgaste. Si el borde de la pala del rotor se ha desgastado hasta el taladro indicador de desgaste, haga que un Servicio Técnico Autorizado cambie las palas del rotor y el rascador (Figura 11).



g011544

**Figura 11**

1. El taladro indicador de desgaste está intacto; no es necesario cambiar las palas del rotor.
2. El taladro indicador de desgaste está abierto; cambie las palas del rotor y el rascador.

# Almacenamiento

**Importante:** Almacene la máquina, la batería y el cargador solo a temperaturas que estén dentro del intervalo apropiado; consulte [Especificaciones \(página 9\)](#).

**Importante:** Si va a almacenar la batería hasta la temporada siguiente, cárguela hasta que 2 o 3 de los indicadores LED de la batería cambien a verde. No almacene la batería completamente cargada ni completamente descargada. Antes de volver a usar la máquina, cargue la batería hasta que se vuelva verde el indicador izquierdo del cargador, o hasta que los 4 indicadores LED de la batería se vuelvan verdes.

- Desconecte el producto del suministro de energía (es decir, retire el enchufe del suministro de energía o la batería) y compruebe si hay daños después del uso.
- Limpie cualquier material extraño del producto.
- No almacene la herramienta con la batería instalada.
- Cuando no se esté utilizando, guarde la máquina, la batería y el cargador de la batería fuera del alcance de los niños.
- Mantenga la máquina, la batería y el cargador de la batería alejados de agentes corrosivos como productos químicos de jardín o sal para deshielo.
- Para reducir el riesgo de lesiones personales graves, no almacene la batería en el exterior o en un vehículo.
- Guarde la máquina, la batería y el cargador en un lugar cerrado, limpio y seco.

# Solución de problemas

Realice solo los pasos descritos en estas instrucciones. Cualquier otro trabajo de inspección, mantenimiento o reparación debe ser realizado por un Servicio Técnico Autorizado o por un especialista autorizado si no puede solucionar el problema usted mismo.

Problema	Posible causa	Acción correctora
La máquina no funciona o no funciona de forma continua.	<ol style="list-style-type: none"> <li>1. La batería tiene poca carga.</li> <li>2. La batería no está correctamente instalada en la máquina.</li> <li>3. La temperatura de la batería está por encima o por debajo del intervalo de temperatura adecuado.</li> <li>4. La batería ha superado los límites máximos de amperaje.</li> <li>5. Hay humedad en los cables de la batería.</li> <li>6. La batería está dañada.</li> <li>7. Hay otro problema eléctrico con la máquina.</li> </ol>	<ol style="list-style-type: none"> <li>1. Cargue la batería.</li> <li>2. Retire y luego vuelva a colocar la batería en la máquina, asegurándose de que está correctamente instalada y bloqueada.</li> <li>3. Traslade la batería a un lugar seco cuya temperatura sea de entre 5 °C y 40 °C (41 °F y 104 °F).</li> <li>4. Suelte el gatillo y luego presione el interruptor del gatillo.</li> <li>5. Deje que la batería se seque o séquela con un paño.</li> <li>6. Sustituya la batería.</li> <li>7. Póngase en contacto con un Servicio Técnico Autorizado.</li> </ol>
La máquina no alcanza la máxima potencia.	<ol style="list-style-type: none"> <li>1. La capacidad de carga de la batería es demasiado baja.</li> <li>2. Los orificios de ventilación están obstruidos.</li> </ol>	<ol style="list-style-type: none"> <li>1. Retire la batería de la máquina y cargue completamente la batería.</li> <li>2. Limpie los orificios de ventilación.</li> </ol>
La máquina funciona, pero no descarga nieve o lo hace mal.	<ol style="list-style-type: none"> <li>1. La máquina está sobrecargada.</li> <li>2. Está intentando quitar demasiada nieve en cada pasada.</li> <li>3. Está intentando quitar nieve muy pesada o húmeda.</li> <li>4. El conducto de descarga está obstruido.</li> <li>5. La correa de transmisión del sinfín/impulsor está suelta o se ha salido de la polea.</li> <li>6. La correa de transmisión del sinfín/impulsor está desgastada o rota.</li> </ol>	<ol style="list-style-type: none"> <li>1. Empuje la máquina con menos fuerza, o a un ritmo más lento.</li> <li>2. Reduzca la cantidad de nieve a quitar en cada pasada.</li> <li>3. No sobrecargue la máquina si la nieve está muy pesada o húmeda.</li> <li>4. Desatasque el conducto de descarga.</li> <li>5. Instale y/o ajuste la correa de transmisión del sinfín/impulsor; visite <a href="http://www.Toro.com">www.Toro.com</a> si desea información sobre mantenimiento, o lleve la máquina a un Servicio Técnico Autorizado.</li> <li>6. Cambie la correa de transmisión del sinfín/impulsor; visite <a href="http://www.Toro.com">www.Toro.com</a> si desea información sobre mantenimiento, o lleve la máquina a un Servicio Técnico Autorizado.</li> </ol>
La batería se descarga rápidamente.	<ol style="list-style-type: none"> <li>1. La temperatura de la batería está por encima o por debajo del intervalo de temperatura adecuado.</li> <li>2. La máquina está sobrecargada.</li> </ol>	<ol style="list-style-type: none"> <li>1. Traslade la batería a un lugar seco cuya temperatura sea de entre 5 °C y 40 °C (41 °F y 104 °F).</li> <li>2. Empuje la máquina con menos fuerza.</li> </ol>
El cargador de la batería no funciona.	<ol style="list-style-type: none"> <li>1. La temperatura del cargador de la batería está por encima o por debajo del intervalo de temperatura adecuado.</li> <li>2. La toma de corriente en la que está enchufado el cargador de la batería no tiene corriente.</li> </ol>	<ol style="list-style-type: none"> <li>1. Desenchufe el cargador de la batería y trasládalo a un lugar seco cuya temperatura sea de entre 5 °C y 40 °C (41 °F y 104 °F).</li> <li>2. Póngase en contacto con un electricista autorizado para que repare la toma de corriente.</li> </ol>

Problema	Posible causa	Acción correctora
El indicador LED del cargador de la batería está rojo.	1. El cargador de la batería y/o la batería está por encima o por debajo del intervalo de temperatura adecuado.	1. Desenchufe el cargador de la batería y mueva el cargador de la batería y la batería a un lugar seco cuya temperatura sea de entre 5 °C (41 °F) y 40 °C (104 °F).
El indicador LED del cargador de la batería parpadea en rojo.	1. Hay un error de comunicaciones entre la batería y el cargador.  2. La batería está casi agotada.	1. Retire la batería del cargador, desconecte el cargador de la toma de corriente y espere 10 segundos. Vuelva a enchufar el cargador en la toma de corriente y coloque la batería en el cargador. Si el indicador LED del cargador sigue parpadeando en rojo, repita este procedimiento. Si el indicador LED del cargador sigue parpadeando después de 2 intentos, elimine la batería correctamente en una instalación de reciclado de baterías.  2. Póngase en contacto con un Servicio Técnico Autorizado si la batería está en garantía, o elimine correctamente la batería en una instalación de reciclado de baterías.
La máquina produce pitidos.	1. La batería no está cargada.  2. La máquina está sobrecargada.  3. Hay otro problema eléctrico con la máquina.	1. Retire la batería de la máquina y cárguela.  2. Camine más despacio mientras barre la nieve.  3. Pruebe las demás acciones de solución de problemas, y si la alarma sigue sonando, póngase en contacto con un Servicio Técnico Autorizado.

# Información sobre las Advertencias de la Proposición 65 de California

## ¿Qué significa esta advertencia?

Puede ver un producto a la venta que lleva una etiqueta de advertencia como la siguiente:



**ADVERTENCIA: Cáncer y daños reproductivos: [www.p65Warnings.ca.gov](http://www.p65Warnings.ca.gov).**

## ¿Qué es la Proposición 65?

La Proposición 65 afecta a cualquier empresa que tenga presencia en California, que venda productos en California, o que fabrique productos que podrían ser introducidos o vendidos en California. Esta ley exige que el Gobernador de California mantenga y publique una lista de sustancias químicas identificadas como causantes de cáncer, defectos de nacimiento y/u otros daños reproductivos. La lista, que se actualiza anualmente, incluye cientos de productos químicos que se encuentran en muchos artículos de uso diario. El propósito de la Proposición 65 es informar al público sobre la exposición a estos productos químicos.

La Proposición 65 no prohíbe la venta de productos que contengan estos productos químicos, sino que requiere la presencia de advertencias en el producto, el envase y la documentación suministrada con el producto. Además, una advertencia de la Proposición 65 no significa que el producto contravenga ninguna norma o requisito de seguridad. De hecho, el gobierno de California ha aclarado que una advertencia bajo la Proposición 65 "no es lo mismo que una decisión legal sobre la 'seguridad' o la 'inseguridad' de un producto". Muchos de estos productos químicos han sido utilizados durante años en productos de uso diario sin que se hayan producido daños documentados. Para obtener más información, visite <https://oag.ca.gov/prop65/faqs-view-all>.

Una advertencia de la Proposición 65 significa que una empresa (1) ha evaluado la exposición y ha concluido que supera el nivel de "sin riesgo significativo"; o (2) ha optado por proporcionar una advertencia basándose en sus conocimientos respecto a la presencia de un producto químico de los incluidos en la lista, sin intentar evaluar la exposición.

## ¿Esta ley es aplicable en todas partes?

Las advertencias de la Proposición 65 sólo son obligatorias bajo la legislación de California. Estas advertencias se ven por toda California en una gran variedad de entornos, incluyendo entre otros restaurantes, tiendas de alimentación, hoteles, escuelas y hospitales, y en una amplia variedad de productos. Además, algunos minoristas de Internet y de la venta por correo incluyen advertencias de la Proposición 65 en sus sitios web o en sus catálogos.

## ¿Qué diferencia hay entre las advertencias de California y los límites federales?

Las normas de la Proposición 65 son a menudo más exigentes que las normas federales o internacionales. Varias sustancias requieren una advertencia bajo la Proposición 65 a niveles muy inferiores a los límites federales. Por ejemplo, el nivel exigido por la Proposición 65 para las advertencias sobre el plomo es de 0.5 µg/día, que es muy inferior a lo que exigen las normas federales e internacionales.

## ¿Por qué no llevan la advertencia todos los productos similares?

- Los productos vendidos en California deben llevar etiquetas bajo la Proposición 65, mientras que otros productos similares que se venden en otros lugares no las necesitan.
- Una empresa puede estar obligada a incluir advertencias de Proposición 65 en sus productos como condición de un acuerdo tras un procedimiento legal relacionado con la Proposición 65, pero otras empresas que fabrican productos similares no tienen necesariamente la misma obligación.
- La aplicación de la Proposición 65 no es uniforme.
- Algunas empresas pueden optar por no proporcionar advertencias porque concluyen que no están obligadas a hacerlo bajo la Proposición 65; la falta de advertencias en un producto no significa que el producto esté libre de los productos químicos incluidos en la lista a niveles similares.

## ¿Por qué incluye Toro esta advertencia?

Toro ha optado por proporcionar a los consumidores la mayor cantidad posible de información para que pueda tomar decisiones informadas sobre los productos que compra y utiliza. Toro proporciona advertencias en ciertos casos basándose en sus conocimientos sobre la presencia de uno o más productos químicos de la lista, sin evaluar el nivel de exposición, puesto que la lista no incluye límites de exposición para todos los productos químicos que contiene. Aunque la exposición que provocan los productos Toro puede ser insignificante, o estar dentro de los límites de la categoría "sin riesgo significativo", Toro ha optado por proporcionar las advertencias de la Proposición 65 por simple precaución. Además, si Toro no proporcionara estas advertencias, podría ser demandada por el Estado de California o por particulares bajo la Proposición 65, y estar sujeta a importantes sanciones.



**Count on it.**

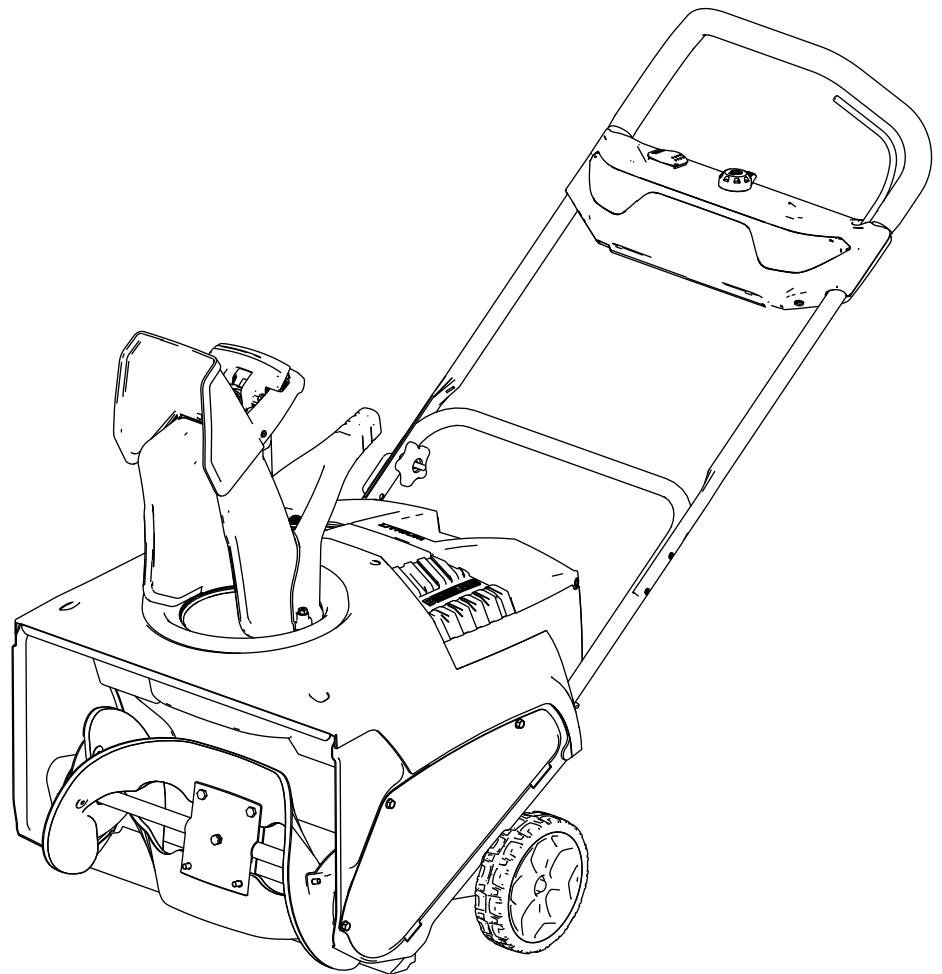


**Count on it.**

**Manuel de l'utilisateur**

**Souffleuse à neige commerciale  
Power Clear<sup>®</sup> Flex-Force Power  
System<sup>™</sup> 60 V MAX de 53 cm  
(21 po)**

N° de modèle 39922T—N° de série 414441380 et suivants





**Si vous avez besoin d'aide, visionnez les vidéos d'instruction sur [www.Toro.com/support](http://www.Toro.com/support) ou appelez le 1-888-384-9939 avant de renvoyer ce produit.**

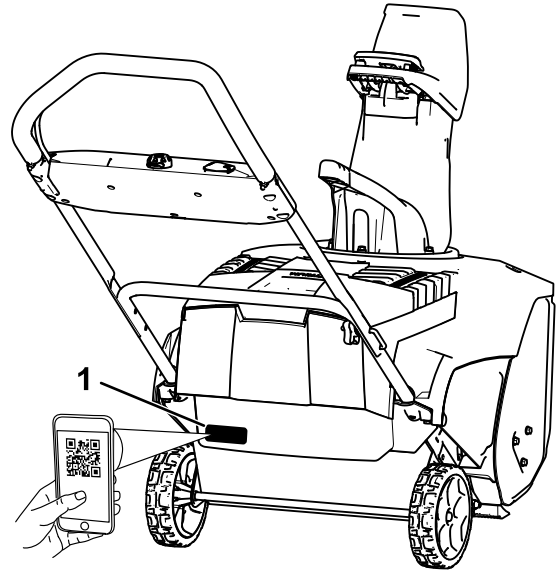
**⚠ ATTENTION**

**CALIFORNIE**

**Proposition 65 - Avertissement**

**L'utilisation de ce produit peut entraîner une exposition à des substances chimiques considérées pas l'état de Californie comme capables de provoquer des cancers, des anomalies congénitales ou d'autres troubles de la reproduction.**

Pour obtenir des prestations de service, des pièces Toro d'origine ou des renseignements complémentaires, munissez-vous des numéros de modèle et de série du produit et contactez un dépositaire-réparateur ou le service client Toro agréé. La **Figure 1** indique l'emplacement des numéros de modèle et de série du produit. Inscrivez les numéros dans l'espace réservé à cet effet.



g381459

**Figure 1**

1. Emplacement des numéros de modèle et de série

N° de modèle \_\_\_\_\_

N° de série \_\_\_\_\_

## Introduction

Cette machine est destinée au grand public. Elle est conçue pour déblayer la neige sur les terrasses, les trottoirs et les petites voies d'accès. Elle n'est pas conçue pour enlever autre chose que la neige ni pour nettoyer le gravier. Elle est conçue pour utiliser les batteries ion-lithium Toro de 60 V. Ces batteries sont conçues pour être chargées uniquement avec les chargeurs de batteries ion-lithium Toro de 60 V. L'utilisation de ce produit à d'autres fins que celle prévue peut être dangereuse pour vous-même et toute personne à proximité.

**Le modèle 39922T ne comprend pas de batterie ni de chargeur.**

Lisez attentivement cette notice pour apprendre comment utiliser et entretenir correctement votre produit, et éviter ainsi de l'endommager ou de vous blesser. Vous êtes responsable de l'utilisation sûre et correcte du produit.

Pour plus d'information, y compris des conseils de sécurité, des documents de formation, des renseignements concernant un accessoire, pour obtenir l'adresse d'un dépositaire ou pour enregistrer votre produit, rendez-vous sur le site [www.Toro.com](http://www.Toro.com).



# Symbole de sécurité

Le symbole de sécurité (Figure 2) utilisé dans ce manuel et sur la machine identifie d'importants messages de sécurité dont vous devez tenir compte pour éviter des accidents.



Figure 2

Symbole de sécurité

g000502

Le symbole de sécurité apparaît au-dessus de toute information signalant des actions ou des situations dangereuses. Il est suivi de la mention **DANGER**, **ATTENTION** ou **PRUDENCE**.

**DANGER** : Signale un danger immédiat qui, s'il n'est pas évité, **entraînera obligatoirement** des blessures graves ou mortelles.

**ATTENTION** : Signale un danger potentiel qui, s'il n'est pas évité, **risque d'entraîner** des blessures graves ou mortelles.

**PRUDENCE** : Signale un danger potentiel qui, s'il n'est pas évité, **peut éventuellement entraîner** des blessures légères ou modérées.

Ce manuel utilise également deux autres termes pour faire passer des renseignements essentiels. **Important**, pour attirer l'attention sur une information d'ordre mécanique spécifique, et **Remarque**, pour souligner une information d'ordre général méritant une attention particulière.

# Sécurité

## LISEZ TOUTES LES INSTRUCTIONS

ATTENTION – L'utilisation de machines exige d'observer certaines précautions élémentaires pour réduire le risque d'incendie, de choc électrique ou de blessure, y compris ce qui suit :

### I. Formation à l'utilisation

1. L'utilisateur de la machine est responsable des accidents et dommages causés aux autres personnes et à leurs possessions.
2. Vous devez lire et comprendre le contenu de ce *Manuel de l'utilisateur* avant de démarrer la machine. Assurez-vous que tous les utilisateurs de cette machine en connaissent le maniement, savent comment l'arrêter rapidement et comprennent toutes les mises en garde.
3. N'autorisez pas les enfants à utiliser ou jouer avec la machine, la batterie ou le chargeur de batterie; certaines législations imposent un âge minimum pour l'utilisation de ce type de machine.
4. Ne confiez pas l'utilisation ou l'entretien de cet appareil à des enfants ou à des personnes non compétentes. Seules les personnes responsables, formées à l'utilisation de l'appareil, ayant lu et compris les instructions et physiquement aptes sont autorisées à utiliser l'appareil ou à en faire l'entretien.
5. Avant d'utiliser la machine, la batterie et le chargeur de batterie, lisez toutes les instructions et mises en garde qui figurent sur ces produits.
6. Familiarisez-vous avec les commandes et le maniement correct de la machine, de la batterie et du chargeur de batterie.

### II. Avant l'utilisation

1. N'admettez personne, notamment les enfants, dans le périmètre de travail.
2. N'autorisez jamais un enfant à utiliser la machine.
3. N'utilisez pas la machine s'il manque des capots ou des dispositifs de protection, ou s'ils sont en mauvais état.
4. Examinez la zone de travail et débarrassez-la de tout objet pouvant gêner le fonctionnement de la machine ou être projeté pendant son utilisation.
5. Utilisez uniquement la batterie spécifiée par Toro. L'utilisation d'autres accessoires et outils peut accroître le risque de blessure et d'incendie.

6. Vous pouvez causer un incendie ou un choc électrique si vous branchez le chargeur de batterie à une prise qui n'est pas de 120 V. Ne branchez pas le chargeur de batterie qu'à une prise de 120 V.
7. N'utilisez pas la batterie ou le chargeur s'ils sont endommagés ou modifiés, car leur comportement pourrait être imprévisible et causer un incendie, une explosion ou des blessures.
8. Si le cordon d'alimentation relié au chargeur de batterie est endommagé, contactez un dépositaire-réparateur agréé pour le faire remplacer.
9. Chargez la batterie uniquement avec le chargeur spécifié par Toro. Un chargeur convenant à un certain type de batterie peut créer un risque d'incendie s'il est utilisé avec une autre batterie.
10. Ne chargez la batterie que dans un endroit bien aéré.
11. Suivez toutes les instructions de charge et ne chargez pas la batterie hors de la plage de température spécifiée dans les instructions. Vous risquez sinon d'endommager la batterie et d'accroître le risque d'incendie.
12. Portez une tenue adéquate – Portez une tenue appropriée, y compris une protection oculaire, un pantalon, des bottes en caoutchouc solides à semelle antidérapante et des protecteurs d'oreilles. Si vos cheveux sont longs, attachez-les et ne portez pas de vêtements amples ni de bijoux pendants qui pourraient se prendre dans les pièces mobiles.

### III. Utilisation

1. Le contact avec le rotor en mouvement entraîne de graves blessures. N'approchez pas les mains ni les pieds des pièces mobiles de la machine. Ne vous tenez pas devant l'ouverture d'éjection.
2. Restez derrière le guidon et n'approchez pas de l'ouverture d'éjection durant l'utilisation de la machine.
3. L'utilisation de cette machine à d'autres fins que celle prévue peut être dangereuse pour vous-même et toute personne à proximité.
4. Évitez les démarrages accidentels – Vérifiez que le bouton de démarrage électrique est retiré du démarreur électrique avant de brancher la batterie et de manipuler la machine.
5. Accordez toute votre attention à l'utilisation de la machine. Ne vous livrez à aucune activité risquant de vous distraire, au risque de causer des dommages corporels ou matériels.
6. Arrêtez la machine, retirez le bouton de démarrage électrique, enlevez la batterie de la machine et attendez l'arrêt de tout mouvement avant de régler, réviser, nettoyer ou remiser la machine.
7. N'utilisez pas la machine sur du gravier.
8. Enlevez la batterie et le bouton de démarrage électrique de la machine chaque fois que vous la laissez sans surveillance ou avant de changer d'accessoires.
9. Ne faites pas forcer la machine – Elle donnera de bien meilleurs résultats et sera plus sûre si vous l'utilisez à la vitesse pour laquelle elle est prévue.
10. Restez alerte – Concentrez-vous sur votre tâche et faites preuve de bon sens lorsque vous utilisez la machine. N'utilisez pas la machine si vous êtes malade ou fatigué(e), ni sous l'emprise de l'alcool, de drogues ou de médicaments.
11. N'utilisez la machine que si la visibilité est suffisante et dans de bonnes conditions météorologiques.
12. Redoublez de prudence lorsque vous faites marche arrière ou que vous tirez la machine vers vous.
13. Gardez toujours les pieds bien posés à terre et maintenez votre équilibre, en particulier sur les pentes. Changez de direction avec la plus grande prudence sur les terrains en pente. N'utilisez pas la machine sur des pentes très escarpées. Avancez toujours à une allure normale avec la machine, ne courez pas.
14. Désengagez la vis sans fin lorsque vous ne déblayez pas la neige activement.
15. Ne dirigez pas l'éjection vers qui que ce soit. N'éjectez pas l'herbe coupée contre un mur ou un obstacle, car elle pourrait ricocher dans votre direction. Arrêtez la machine avant de traverser du gravier.
16. N'utilisez jamais la machine à grande vitesse sur un sol glissant.
17. Faites preuve de la plus grande prudence lorsque vous traversez ou déneigez des routes, des trottoirs ou des allées avec la machine. Faites attention aux dangers cachés et à la circulation.
18. Si la machine heurte un objet ou se met à vibrer, arrêtez-la immédiatement, enlevez le bouton de démarrage électrique, enlevez la batterie et attendez l'arrêt complet de tout mouvement avant de vérifier l'état de la machine. Effectuez toutes les réparations nécessaires avant de réutiliser la machine.
19. Coupez le moteur de la machine chaque fois que vous quittez la position de conduite pour quelque raison que ce soit.

20. Coupez le moteur avant de déboucher la machine et faites-le toujours avec un bâton ou un outil de nettoyage.
  21. Arrêtez la machine et enlevez le bouton de démarrage électrique avant de charger la machine pour le transport.
  22. Dans des conditions d'utilisation abusive, du liquide peut jaillir hors de la batterie; évitez tout contact. En cas de contact accidentel avec le liquide, rincez à l'eau. En cas de contact du liquide avec les yeux, consultez un médecin. Le liquide éjecté de la batterie peut causer des irritations ou des brûlures.
  23. N'exposez pas les batteries ou les outils au feu ou à une température excessive. L'exposition au feu ou à une température supérieure à 130 °C (265 °F) peut provoquer une explosion.
  24. PRUDENCE – la batterie peut présenter un risque d'incendie, d'explosion ou de brûlure chimique en cas de mauvais traitement.
    - Ne démontez pas la batterie.
    - Remplacez toujours la batterie par une batterie Toro d'origine; l'utilisation de tout autre type de batterie peut entraîner un incendie ou des blessures.
    - Conservez les batteries hors de portée des enfants et dans leur emballage d'origine jusqu'au dernier moment avant de les utiliser.
7. Contrôlez fréquemment le serrage de toutes les fixations pour garantir le fonctionnement sûr de la machine.
  8. Vérifiez qu'aucune pièce de la machine n'est endommagée. Assurez-vous qu'aucune pièce mobile n'est mal alignée ou grippée, et qu'aucune pièce n'est cassée, mal fixée ou présente tout autre défaut susceptible d'en affecter le fonctionnement. Sauf indication contraire dans les instructions, faites réparer ou remplacer les protections ou les pièces endommagées par un dépositaire-réparateur agréé.
  9. Lorsque la batterie ne sert pas, rangez-la à l'écart d'objets métalliques tels que trombones, pièces de monnaie, clés, clous et vis qui pourraient relier les bornes entre elles. Un court-circuit aux bornes de la batterie peut causer des brûlures ou un incendie.
  10. Lorsque vous n'utilisez pas la machine, rangez-la dans un local sec et sécurisé, et hors de la portée des enfants.
  11. Si vous remisez la machine plus d'un mois, reportez-vous à la section [Remisage \(page 14\)](#) pour prendre connaissance de renseignements importants.
  12. Ne jetez pas la batterie au feu. L'élément pourrait exploser. Vérifiez si la réglementation locale impose des procédures de mise au rebut spéciales.

#### IV. Entretien et remisage

1. Arrêtez la machine, retirez le bouton de démarrage électrique, enlevez la batterie de la machine et attendez l'arrêt de tout mouvement avant de régler, réviser, nettoyer ou remiser la machine.
2. N'essayez pas de réparer la machine sauf en suivant les instructions. Confiez l'entretien de la machine à un dépositaire-réparateur agréé qui utilise des pièces de rechange identiques.
3. Portez des gants et une protection oculaire pour faire l'entretien de la machine.
4. Lorsque vous faites l'entretien du rotor, n'oubliez pas qu'il peut encore bouger même si l'alimentation électrique est coupée.
5. Pour obtenir des résultats optimaux, utilisez uniquement des pièces de rechange et des accessoires Toro d'origine. Les pièces de rechange et accessoires d'une autre marque peuvent être dangereux et leur utilisation risque d'annuler la garantie de la machine.
6. Faites l'entretien de la machine – Gardez les poignées propres et sèches, et exemptes d'huile et de graisse. Gardez toujours les protections

## CONSERVEZ CES INSTRUCTIONS

# Autocollants de sécurité et d'instruction



Des autocollants de sécurité et des instructions bien visibles par l'opérateur sont placés près de tous les endroits potentiellement dangereux. Remplacez tout autocollant endommagé ou manquant.

**⚠ WARNING** To reduce risk of injury to persons, remove battery pack when not in use. Store indoors. For use with approved TORO 60V accessories, batteries & charger models.

**⚠ AVERTISSEMENT** Pour réduire les risques de blessures corporelles, retirez la batterie quand vous ne l'utilisez pas. Remiser à l'intérieur. À utiliser avec les accessoires, batteries et modèles de chargeurs TORO 60V approuvés.

**⚠ ADVERTENCIA** Para reducir el riesgo de lesiones a personas, retire la batería cuando no esté en uso. Únicamente para uso doméstico. Para su uso con modelos aprobados de baterías y cargadores TORO de 60 V.

**⚠ CAUTION** Use for snow removal only. **⚠ ATTENTION** Utiliser uniquement pour le déneigement.

**⚠ PRECAUCIÓN** Sólo para quitar nieve.

**⚠ WARNING:** Cancer and Reproductive Harm - [www.P65Warnings.ca.gov](http://www.P65Warnings.ca.gov). For more information, please visit [www.tcoCAProp65.com](http://www.tcoCAProp65.com)

**⚠ AVERTISSEMENT:** Cancer et Troubles de l'appareil reproducteur - [www.P65Warnings.ca.gov](http://www.P65Warnings.ca.gov). Pour plus d'informations, veuillez visiter [www.toro.com/CAProp65](http://www.toro.com/CAProp65)

**⚠ ADVERTENCIA:** Cáncer y Daño Reproductivo - [www.P65Warnings.ca.gov](http://www.P65Warnings.ca.gov). Para obtener más información, visite [www.toro.com/CAProp65](http://www.toro.com/CAProp65)

**ETL** Intertek 5014030  
Conforms to / Conforme à la norme UL STD 1090 / Cumple la norma  
 Certified to / Certificado / Homologado según CSA C22.2 No. 147  
 CAN ICES-002 / NMB-002

**TORO** THE TORO COMPANY  
 8111 Lyndale Avenue South  
 Bloomington, MN 55420-1196 USA  
 Country of Origin: MEXICO  
 PATENT: [www.tcopats.com](http://www.tcopats.com)

**60V MAX\* DC**

\*60VDC MAXIMUM / 54VDC NOMINAL  
 \*60 VDC MAXIMUM / 54 VDC NOMINALE  
 \*60 VDC MÁXIMA / 54 VDC NOMINAL

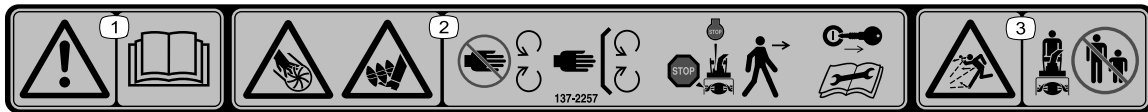
Model: **39922T** Date Code:   
 Modèle / Modelo : Code de date / Código de fecha :

Serial Number:   
 Numéro de série :  
 Número de Serie :

161-2157

decal161-2157

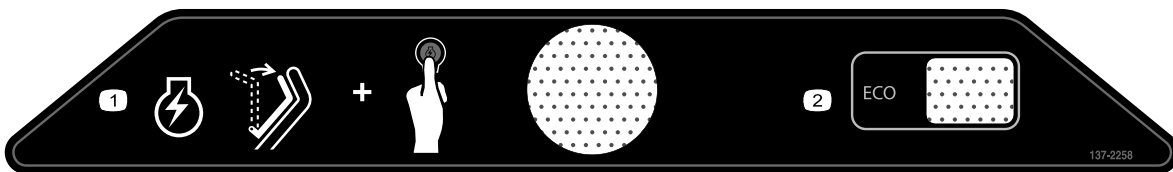
161-2157



decal137-2257

137-2257

1. Attention – lisez le *Manuel de l'utilisateur*.
2. Risque de coupure/mutilation des mains par la turbine et risque de coupure/coincement des pieds par la vis sans fin – ne vous approchez pas des pièces mobiles; laissez toutes les protections et tous les capots en place; coupez le moteur et enlevez la clé avant de quitter la machine; lisez le *Manuel de l'utilisateur* avant d'effectuer une opération d'entretien.
3. Risque de projection d'objets – n'autorisez personne à s'approcher de la machine.



decal137-2258

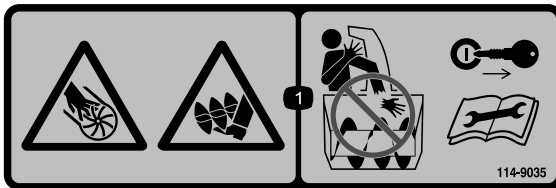
137-2258

1. Pour démarrer le moteur, serrez la barre contre le guidon et appuyez sur le bouton d'allumage.
2. ECO



147-9420

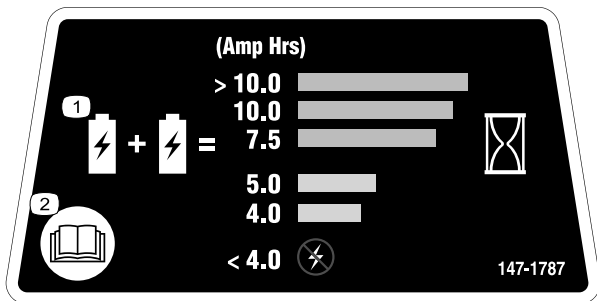
decal147-9420



114-9035

decal114-9035

1. Risque de coupure/mutilation des mains par la turbine et des pieds par la vis sans fin – ne placez pas les mains dans la goulotte: enlevez la clé et lisez le *Manuel de l'utilisateur* avant d'effectuer tout entretien.



147-1787

decal147-1787

1. L'intensité nominale combinée de toutes les batteries installées doit être supérieure à 4 Ah pour démarrer la machine, et supérieure à 7,5 Ah pour une autonomie et un fonctionnement optimaux.
2. Lisez le *Manuel de l'utilisateur*.

# Mise en service

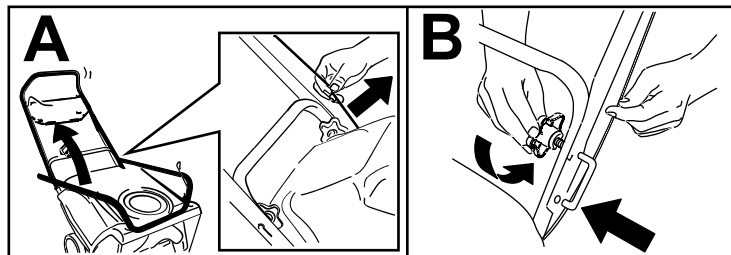
# 1

## Dépliage du manche

Pièces nécessaires pour cette opération:

2	Verrou de la poignée
2	Bouton du guidon

### Procédure



g389401

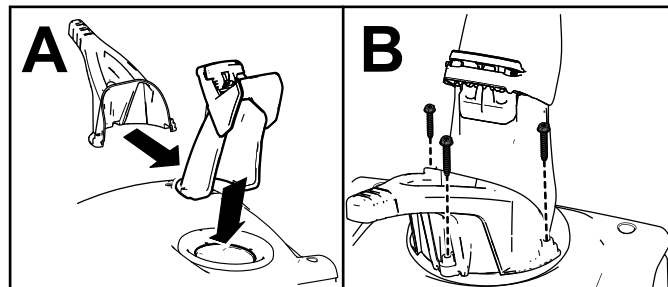
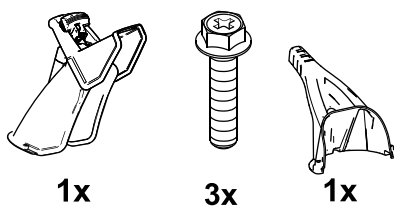
# 2

## Montage de la goulotte d'éjection

Pièces nécessaires pour cette opération:

1	Goulotte d'éjection
3	Vis à embase hexagonale
1	Poignée de la goulotte

### Procédure



g291515

# Vue d'ensemble du produit

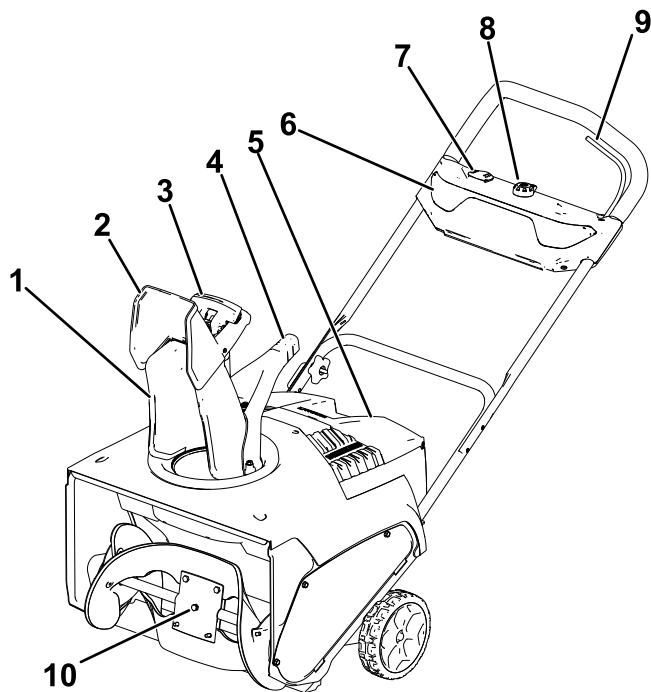


Figure 5

g381633

- |   |                                   |
|---|-----------------------------------|
| 1. Goulotte                                 | 6. Phare                          |
| 2. Déflecteur de goulotte                   | 7. Interrupteur ECO               |
| 3. Actionneur du déflecteur de goulotte     | 8. Bouton de démarrage électrique |
| 4. Poignée de la goulotte                   | 9. Barre de commande              |
| 5. Couvercle du compartiment de la batterie | 10. Pales de rotor                |

# Caractéristiques techniques

## Chargeur de batterie

Modèle	39922T
Tension nominale	60 V c.c. maximum, 54 V c.c. utilisation nominale
Type de chargeur	Chargeurs de batteries ion-lithium Toro de 60 V
Type de batterie	Batteries ion-lithium Toro de 60 V

## Plages de température adéquates

Charger/ranger la batterie entre	5 °C (41 °F) et 40 °C (104 °F)*
Utiliser la machine entre	-30 °C (-22 °F) et 23 °C (73 °F)*
Remiser la machine entre	-30 °C (-22 °F) et 49 °C (120 °F)*

\*Le temps de charge sera plus long en dehors de cette plage de température.

Rangez la machine, la batterie et le chargeur de batterie dans un local fermé, propre et sec.

## Accessoires/outils

Une sélection d'outils et accessoires agréés par Toro peut être disponible pour augmenter et améliorer les capacités de la machine. Pour obtenir la liste de tous les accessoires et outils agréés, contactez votre dépositaire-réparateur ou distributeur Toro agréé, ou rendez-vous sur le site [www.Toro.com](http://www.Toro.com).

Pour garantir un rendement optimal et conserver la certification de sécurité de la machine, utilisez uniquement des pièces de rechange et accessoires Toro d'origine. Les pièces de rechange et accessoires d'autres constructeurs peuvent être dangereux et leur utilisation risque d'annuler la garantie de la machine.

# Utilisation

## Installation des batteries

**Important:** Utilisez une batterie uniquement à des températures comprises dans la plage adéquate; voir [Caractéristiques techniques \(page 9\)](#).

1. Vérifiez que les événements sur la batterie sont exempts de poussière et de débris.
2. Soulevez le couvercle du compartiment de la batterie (A de la [Figure 6](#)).
3. Placez le creux dans la batterie devant la languette sur la machine, et glissez la batterie dans le compartiment jusqu'à ce qu'elle s'enclenche en position (B de la [Figure 6](#)).
4. Refermez le couvercle du compartiment de la batterie (C de la [Figure 6](#)).

**Remarque:** Assurez-vous que le couvercle du compartiment de la batterie est complètement fermé et enclenché en position avant de démarrer la machine.

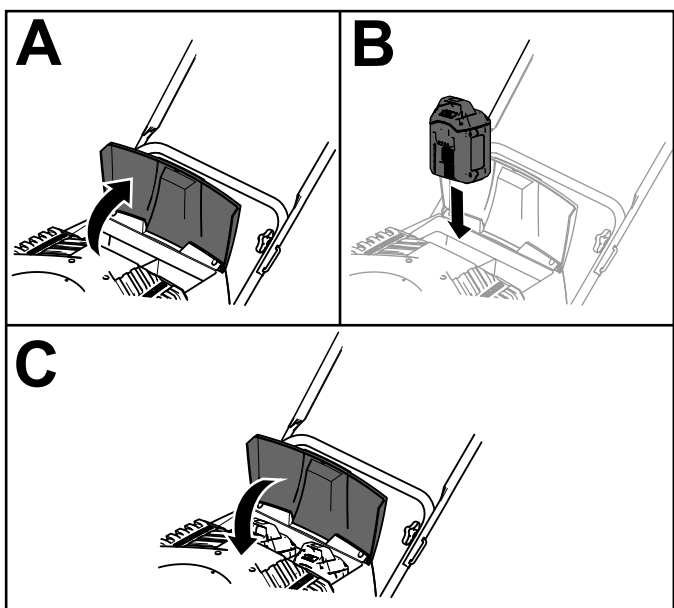


Figure 6

g381640

## Démarrage de la machine

1. Vérifiez que la ou les batteries sont installées dans la machine; voir [Installation des batteries \(page 10\)](#).
  2. Insérez le bouton de démarrage électrique dans le démarreur électrique (A de la [Figure 7](#)).
  3. Serrez et maintenez la barre contre le guidon (B et C de la [Figure 7](#)).
- Remarque:** Quand vous serrez la barre, les voyants de charge s'allument sur la batterie.
4. Appuyez sur le bouton de démarrage électrique jusqu'à ce que le moteur démarre (D de la [Figure 7](#)).

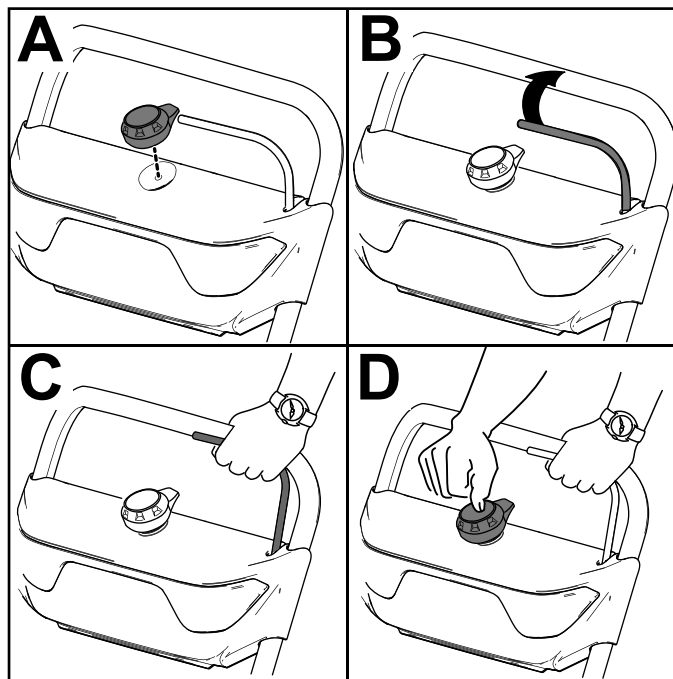


Figure 7

g288479

**Remarque:** Cette machine est un instrument aratoire; le contact du rotor avec le sol est intentionnel et propulse la machine en avant.



## Activation du mode ECO

L'utilisation du mode ECO peut prolonger la vie de la batterie en réduisant la vitesse du rotor; utilisez le mode ECO chaque fois que vous déplacez de la neige sur une courte distance. Activez le mode ECO avec l'interrupteur ECO, comme montré à la [Figure 5](#).

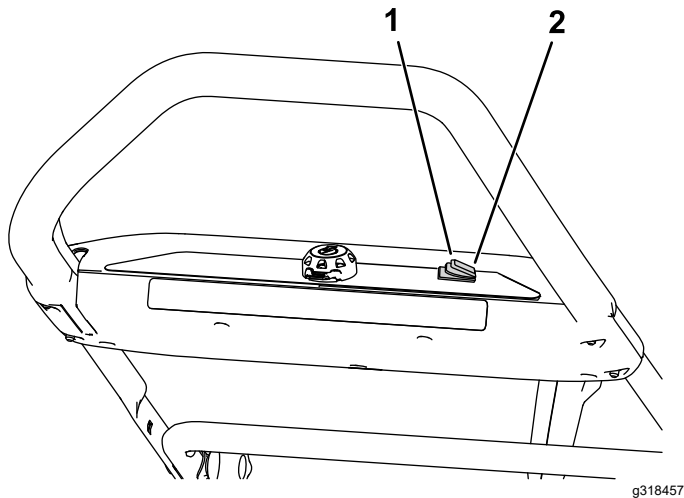


Figure 8

1. Activation du mode ECO
2. Désactivation du mode ECO

## Arrêt de la machine

1. Relâchez la barre (A de la [Figure 9](#)).
2. Retirez le bouton de démarrage électrique du démarreur électrique (B de la [Figure 9](#)).
3. Enlevez la ou les batteries; voir [Retrait des batteries de la machine](#) (page 11).

**Remarque:** Enlevez la ou les batteries chaque fois que vous n'utilisez pas la machine.

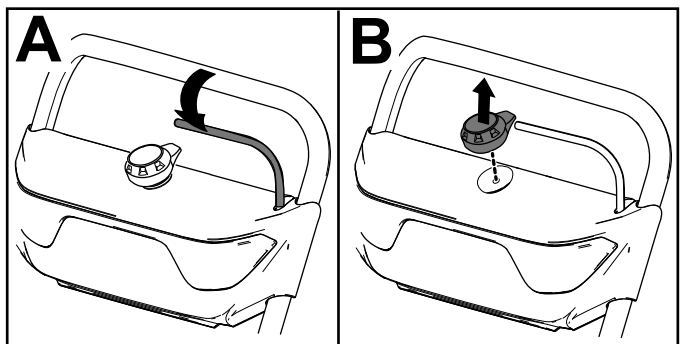


Figure 9

## Retrait des batteries de la machine

1. Soulevez le couvercle du compartiment de la batterie.
2. Appuyez sur le verrou pour débloquer et retirer la ou les batteries.
3. Refermez le couvercle du compartiment de la batterie.

## Prévention du blocage par le gel après utilisation

- Laissez tourner le moteur quelques minutes pour éviter que les pièces en mouvement ne soient bloquées par le gel. Coupez le moteur de la machine, attendez l'arrêt de toutes les pièces mobiles et enlevez la glace et la neige qui se trouvent sur la machine.
- Enlevez la neige et la glace accumulées au bas de la goulotte.
- Tournez la goulotte à droite et à gauche pour la dégager de la glace accumulée.
- Par temps de neige et à basses températures, certaines commandes et pièces mobiles peuvent être bloquées par le gel. Ne forcez jamais sur les commandes pour les faire fonctionner lorsqu'elles sont gelées. Si certaines commandes ou pièces sont difficiles à utiliser, démarrez le moteur de la machine et laissez-le tourner quelques minutes.

## Réglage de la goulotte et du déflecteur d'éjection

Pour régler la goulotte d'éjection, déplacez la poignée.

Pour régler le déflecteur de goulotte (et donc la hauteur d'éjection de la neige), serrez la gâchette et relevez ou abaissez le déflecteur (Figure 10).

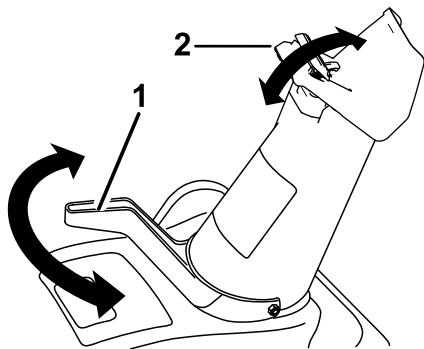


Figure 10

g278630

1. Poignée de la goulotte      2. Gâchette

### ⚠ ATTENTION

Un espace entre la goulotte et le déflecteur peut laisser passer de la neige et n'importe quel objet ramassé par la machine et les projeter en direction de l'utilisateur. Les débris projetés peuvent infliger des blessures graves.

- Ne poussez pas le déflecteur trop en avant pour éviter de créer un espace entre la goulotte et le déflecteur.
- Ne réglez pas le déflecteur quand la barre de commande est engagée. Relâchez la barre de commande avant de régler le déflecteur de goulotte.

## Pour déboucher la goulotte d'éjection

Si la machine fonctionne mais que la neige n'est pas éjectée, la goulotte est peut-être obstruée.

### ⚠ ATTENTION

Si vos mains touchent le rotor en rotation à l'intérieur de la goulotte d'éjection, vous risquez de vous blesser gravement.

Ne nettoyez jamais la goulotte avec les mains.

1. Coupez le moteur de la machine, enlevez le bouton de démarrage électrique et enlevez la batterie.
2. Attendez 10 secondes que les pales du rotor ne tournent plus.
3. Nettoyez toujours la goulotte à l'aide d'un outil, jamais avec les mains.

## Conseils d'utilisation

### ⚠ ATTENTION

Des pierres, des jouets ou d'autres objets peuvent être ramassés et projetés par le rotor et vous blesser gravement ou blesser des personnes à proximité.

- Ne laissez pas d'objets susceptibles d'être ramassés et projetés par le rotor dans la zone à déblayer.
- Tenez les enfants et les animaux domestiques à l'écart de la zone de travail.
- Enlevez la neige aussitôt que possible après qu'elle est tombée.
- Poussez la machine en avant en la laissant avancer à son propre rythme.
- Veillez à ce que les bandes déblayées se chevauchent pour bien enlever toute la neige.
- Rejetez toujours la neige de préférence dans le sens du vent.
- Si la machine ne se propulse pas en avant sur les surfaces glissantes ou très enneigées, poussez sur le guidon, mais laissez la machine avancer à son propre rythme.
- La machine peut laisser des traces de caoutchouc sur le béton neuf brossé ou légèrement coloré. Faites un essai sur une surface non visible avant l'utilisation. Ces traces ne sont pas permanentes.

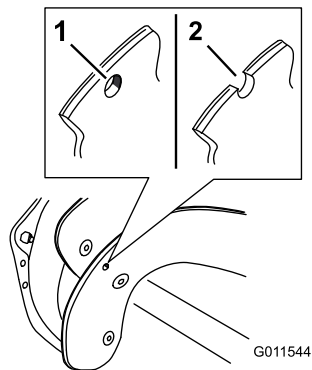
# Entretien

Arrêtez la machine, retirez le bouton de démarrage électrique, enlevez la batterie de la machine et attendez l'arrêt de tout mouvement avant de régler, réviser, nettoyer ou remiser la machine.

## Contrôle des pales du rotor

**Périodicité des entretiens:** Une fois par an—Vérifiez l'état des pales du rotor et faites-les remplacer par un réparateur agréé, ainsi que la lame racleuse le cas échéant.

Avant chaque utilisation, vérifiez l'usure des pales du rotor. Quand le bord d'une pale est usé jusqu'au trou de l'indicateur d'usure, faites remplacer les pales et la lame racleuse par un réparateur agréé (Figure 11).



**Figure 11**

g011544

1. Le trou de l'indicateur d'usure est intact; les pales du rotor n'ont pas besoin d'être remplacées.
2. Le trou de l'indicateur d'usure est visible; remplacez les pales du rotor et la lame racleuse.

# Remisage

**Important:** Remisez la machine, la batterie et le chargeur uniquement à des températures comprises dans la plage adéquate; voir [Caractéristiques techniques \(page 9\)](#).

**Important:** Si vous remisez la batterie à la fin de la saison, chargez-la jusqu'à ce que 2 ou 3 de ses diodes deviennent vertes. Ne remisez pas une batterie complètement chargée ou complètement déchargée. Avant de réutiliser la machine, chargez la batterie jusqu'à ce que le voyant gauche du chargeur devienne vert ou que les 4 diodes de la batterie deviennent vertes.

- Débranchez le produit de l'alimentation (autrement dit, retirez la prise de l'alimentation ou de la batterie) et recherchez tout dommage éventuel après utilisation.
- Débarrassez la machine des produits étrangers.
- Ne rangez pas l'outil en laissant la batterie dessus.
- Lorsque vous n'utilisez pas la machine, rangez-la, ainsi que la batterie et le chargeur de batterie hors de la portée des enfants.
- Gardez la machine, la batterie et le chargeur à l'écart des agents corrosifs, tels que produits chimiques de jardinage et sels de dégivrage.
- Pour réduire les risques de blessures graves, ne rangez pas la batterie à l'extérieur ou dans un véhicule.
- Rangez la machine, la batterie et le chargeur de batterie dans un local fermé, propre et sec.

# Dépistage des défauts

Effectuez uniquement les opérations décrites dans ces instructions. Tout autre contrôle, entretien ou réparation doit être réalisé par un centre d'entretien agréé ou un spécialiste qualifié si vous n'arrivez pas à résoudre le problème vous-même.

Problème	Cause possible	Mesure corrective
La machine ne fonctionne pas ou fonctionne par intermittence.	<ol style="list-style-type: none"> <li>1. La charge de la batterie est faible.</li> <li>2. La batterie n'est pas complètement installée dans la machine.</li> <li>3. La température de la batterie est supérieure ou inférieure à la plage de température appropriée.</li> <li>4. La batterie a dépassé les limites supérieures d'intensité.</li> <li>5. Il y a de l'humidité sur les fils de la batterie.</li> <li>6. La batterie est endommagée.</li> <li>7. Un autre problème électrique existe sur la machine.</li> </ol>	<ol style="list-style-type: none"> <li>1. Chargez la batterie.</li> <li>2. Enlevez et remettez la batterie en place dans la machine, en prenant soin de l'insérer et l'enclencher complètement.</li> <li>3. Placez la batterie dans un endroit sec, où la température est comprise entre 5 °C (41 °F) et 40 °C (104 °F).</li> <li>4. Relâchez la gâchette puis actionnez-la de nouveau.</li> <li>5. Laissez sécher ou essuyez la batterie.</li> <li>6. Remplacez la batterie.</li> <li>7. Contactez un dépositaire-réparateur agréé.</li> </ol>
La machine n'atteint pas sa pleine puissance.	<ol style="list-style-type: none"> <li>1. La capacité de charge de la batterie est trop faible.</li> <li>2. Les événements sont bouchés.</li> </ol>	<ol style="list-style-type: none"> <li>1. Enlevez la batterie de la machine et chargez-la complètement.</li> <li>2. Nettoyez les événements.</li> </ol>
Le moteur de la machine tourne, mais la neige est mal ou pas du tout éjectée.	<ol style="list-style-type: none"> <li>1. La machine est surchargée.</li> <li>2. Vous tentez de déblayer une quantité de neige trop importante par bande.</li> <li>3. Vous tentez de déblayer de la neige très lourde ou très mouillée.</li> <li>4. La goulotte est bouchée.</li> <li>5. La courroie de la vis sans fin/turbine est détendue ou ne se trouve plus sur la poulie.</li> <li>6. La courroie de la vis sans fin/turbine est usée ou cassée.</li> </ol>	<ol style="list-style-type: none"> <li>1. Poussez la machine avec moins de force ou plus lentement.</li> <li>2. Réduisez la quantité de neige déblayée par bande.</li> <li>3. Ne surchargez pas la machine avec de la neige très lourde ou mouillée.</li> <li>4. Débouchez la goulotte.</li> <li>5. Montez et/ou réglez la courroie d'entraînement de la vis sans fin/turbine; rendez-vous sur <a href="http://www.Toro.com">www.Toro.com</a> pour plus de précisions sur l'entretien ou portez la machine chez un dépositaire-réparateur agréé.</li> <li>6. Remplacez la courroie d'entraînement de la vis sans fin/turbine; rendez-vous sur <a href="http://www.Toro.com">www.Toro.com</a> pour plus de précision sur l'entretien ou portez la machine chez un dépositaire-réparateur agréé.</li> </ol>
La batterie se décharge rapidement.	<ol style="list-style-type: none"> <li>1. La température de la batterie est supérieure ou inférieure à la plage de température appropriée.</li> <li>2. La machine est surchargée.</li> </ol>	<ol style="list-style-type: none"> <li>1. Placez la batterie dans un endroit sec, où la température est comprise entre 5 °C (41 °F) et 40 °C (104 °F).</li> <li>2. Poussez la machine avec moins de force.</li> </ol>
Le chargeur de batterie est défectueux.	<ol style="list-style-type: none"> <li>1. La température du chargeur de batterie est supérieure ou inférieure à la plage de température adéquate.</li> <li>2. La prise utilisée pour brancher le chargeur n'est pas sous tension.</li> </ol>	<ol style="list-style-type: none"> <li>1. Débranchez le chargeur de batterie et placez-le dans un endroit sec où la température est comprise entre 5 et 40 °C (41 et 104 °F).</li> <li>2. Demandez à un électricien qualifié de réparer la prise.</li> </ol>

Problème	Cause possible	Mesure corrective
La diode du chargeur de batterie est rouge.	1. La température du chargeur de batterie et/ou de la batterie est supérieure ou inférieure à la plage de température adéquate.	1. Débranchez le chargeur de batterie et placez-le, ainsi que la batterie, dans un endroit sec où la température est comprise entre 5 et 40 °C (41 et 104 °F).
La diode du chargeur de batterie clignote en rouge.	1. Une erreur de communication s'est produite entre la batterie et le chargeur.  2. La batterie est faible.	1. Retirez la batterie du chargeur, débranchez le chargeur de la prise et patientez 10 secondes. Rebranchez le chargeur sur la prise et insérez la batterie dans le chargeur. Si la diode du chargeur clignote encore en rouge, répétez cette procédure. Si la diode du chargeur de batterie clignote encore en rouge après 2 tentatives, mettez la batterie au rebut correctement dans un centre de recyclage de batteries.  2. Contactez votre dépositaire-réparateur agréé si la batterie est sous garantie, ou mettez la batterie au rebut correctement dans un centre de recyclage de batteries.
La machine émet un bip sonore.	1. La batterie n'est pas chargée.  2. La machine est surchargée.  3. Un autre problème électrique existe sur la machine.	1. Enlevez la batterie de la machine et chargez-la.  2. Dénéigez en avançant plus lentement.  3. Essayez les autres actions correctives; si l'alarme sonore persiste, contactez un dépositaire-réparateur agréé.

# Proposition 65 de Californie – Information concernant cet avertissement

## En quoi consiste cet avertissement?

Certains produits commercialisés présentent une étiquette d'avertissement semblable à ce qui suit :



**AVERTISSEMENT : Cancer et troubles de la reproduction –**  
[www.p65Warnings.ca.gov](http://www.p65Warnings.ca.gov).

## Qu'est-ce que la Proposition 65?

La Proposition 65 s'applique à toute société exerçant son activité en Californie, qui vend des produits en Californie ou qui fabrique des produits susceptibles d'être vendus ou importés en Californie. Elle stipule que le Gouverneur de Californie doit tenir et publier une liste des substances chimiques connues comme causant des cancers, malformations congénitales et/ou autres troubles de la reproduction. Cette liste, qui est mise à jour chaque année, comprend des centaines de substances chimiques présentes dans de nombreux objets du quotidien. La Proposition 65 a pour objet d'informer le public quant à l'exposition à ces substances chimiques.

La Proposition 65 n'interdit pas la vente de produits contenant ces substances chimiques, mais impose la présence d'avertissements sur tout produit concerné, sur son emballage ou sur la documentation fournie avec le produit. D'autre part, un avertissement de la Proposition 65 ne signifie pas qu'un produit est en infraction avec les normes ou exigences de sécurité du produit. D'ailleurs, le gouvernement californien a clairement indiqué qu'un avertissement de la Proposition 65 « n'est pas une décision réglementaire quant au caractère « sûr » ou « dangereux » d'un produit ». Bon nombre de ces substances chimiques sont utilisées dans des produits du quotidien depuis des années, sans aucun effet nocif documenté. Pour plus de renseignements, rendez-vous sur <https://oag.ca.gov/prop65/faqs-view-all>.

Un avertissement de la Proposition 65 signifie qu'une société a soit (1) évalué l'exposition et conclu qu'elle dépassait le « niveau ne posant aucun risque significatif »; soit (2) choisi d'émettre un avertissement simplement sur la base de sa compréhension quant à la présence d'une substance chimique de la liste, sans tenter d'en évaluer l'exposition.

## Cette loi s'applique-t-elle partout?

Les avertissements de la Proposition 65 sont exigés uniquement en vertu de la loi californienne. Ces avertissements sont présents dans tout l'état de Californie, dans des environnements très variés, notamment mais pas uniquement les restaurants, magasins d'alimentation, hôtels, écoles et hôpitaux, et sur un vaste éventail de produits. En outre, certains détaillants en ligne et par correspondance fournissent des avertissements de la Proposition 65 sur leurs sites internet ou dans leurs catalogues.

## Quelles différences entre les avertissements de Californie et les limites fédérales?

Les normes de la Proposition 65 sont souvent plus strictes que les normes fédérales et internationales. Diverses substances exigent un avertissement de la Proposition 65 à des niveaux bien inférieurs aux limites d'intervention fédérales. Par exemple, la norme de la Proposition 65 en matière d'avertissements pour le plomb se situe à 0,5 µg/jour, soit bien moins que les normes fédérales et internationales.

## Pourquoi l'avertissement ne figure-t-il pas sur tous les produits semblables?

- Pour les produits commercialisés en Californie, l'étiquetage Proposition 65 est exigé, tandis qu'il ne l'est pas sur des produits similaires commercialisés ailleurs.
- Il se peut qu'une société impliquée dans un procès lié à la Proposition 65 et parvenant à un accord soit obligée d'utiliser les avertissements de la Proposition 65 pour ses produits, tandis que d'autres sociétés fabriquant des produits semblables peuvent ne pas être soumises à cette obligation.
- L'application de la Proposition 65 n'est pas uniforme.
- Certaines sociétés peuvent choisir de ne pas indiquer d'avertissements car elles considèrent qu'elles n'y sont pas obligées au titre de la Proposition 65; l'absence d'avertissements sur un produit ne signifie pas que le produit ne contient pas de substances de la liste à des niveaux semblables.

## Pourquoi cet avertissement apparaît-il sur les produits Toro?

Toro a choisi de fournir aux consommateurs le plus d'information possible afin qu'ils puissent prendre des décisions éclairées quant aux produits qu'ils achètent et utilisent. Toro fournit des avertissements dans certains cas d'après ses connaissances quant à la présence de l'une ou plusieurs des substances chimiques de la liste, sans en évaluer le niveau d'exposition, car des exigences de limites ne sont pas fournies pour tous les produits chimiques de la liste. Bien que l'exposition avec les produits Toro puisse être négligeable ou parfaitement dans les limites « sans aucun risque significatif », par mesure de précaution, Toro a décidé de fournir les avertissements de la Proposition 65. De plus, en l'absence de ces avertissements, la société Toro pourrait être poursuivie en justice par l'État de Californie ou par des particuliers cherchant à faire appliquer la Proposition 65, et donc assujettie à d'importantes pénalités.



**Count on it.**