



Count on it.

Parts Catalog

**52in TITAN® HD 2000 Series
Riding Mower**

Model No. 74466—Serial No. 403197564 and Up



Ordering Replacement Parts

To order replacement parts, please supply the part number, the quantity, and the description of each part desired.

Understanding Reference Numbers

Each identified part in an illustration has a reference number. The reference number for a part also appears in the parts list, along with other information about the part.

This catalog uses two special reference number formats, one to indicate parts in a service assembly and another to indicate the quantity of a given part in an illustration.

Service Assembly Reference Numbers

Parts in service assemblies have reference numbers in the form a:b. The a represents the reference number of the entire service assembly and the b represents a sequential number unique to each part within the service assembly.

For example, a wheel assembly might be identified by reference number 6, the tire by 6:1, the valve by 6:2, and the wheel by 6:3. When you order the assembly identified by reference number 6, you receive all parts identified by reference numbers 6:1, 6:2, and 6:3. However, you may also order any part individually. Reference numbers of this type appear in illustration and in parts lists.

Reference Numbers Indicating Quantity

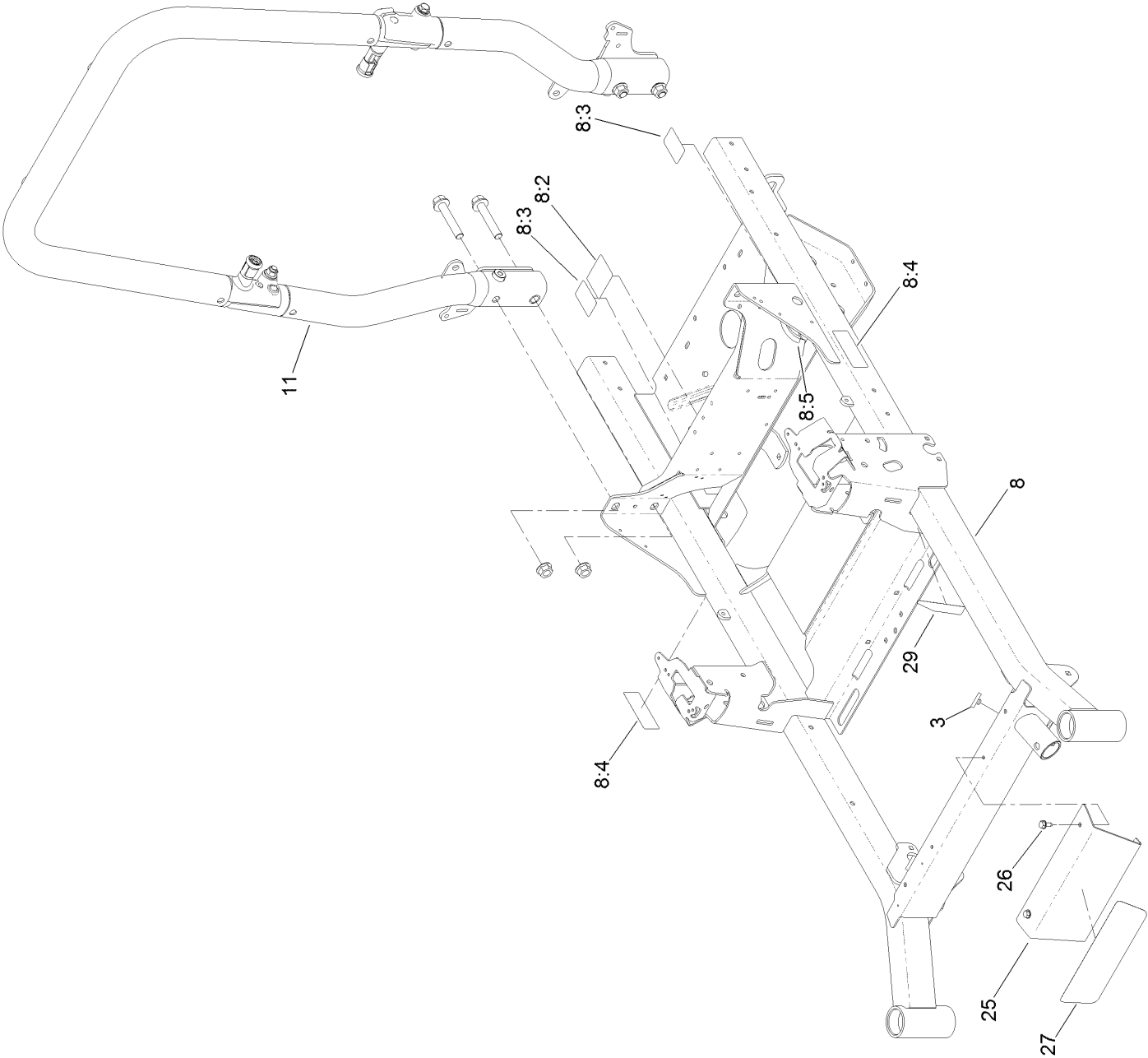
In an illustration, if a reference number indicates more than one part, the reference number has the form nX y. The n represents the quantity of the part, the X is the multiplication symbol, and the y represents the reference number.

For example, in an illustration, the reference number 2X 37 means that two of the parts identified by reference number 37 are indicated.

Contents

Frame and Roll-Over Protection System Assembly	4
Roll-Over Protection System Assembly No. 136-8987.....	6
Hydraulic Drive Assembly.....	8
LH Transaxle Assembly No. 135-0140.....	10
RH Transaxle Assembly No. 135-0139	12
Control Console and Guard Assembly	14
Fuel Tank and Vent Hose System Assembly	16
Fuel Tank Assembly No. 126-4724	18
Motion Control Assembly	20
LH and RH Motion Control Assembly	22
Caster Wheel and Fork Assembly	24
Fork and Caster Wheel Assembly	26
Wheel and Tire Assembly No. 126-7592	28
Rear Wheel Assembly	30
Electrical Assembly	32
Harness Assembly No. 126-5803	34
Deck Lift Assembly.....	36
Deck Strut Assembly No. 126-8365	38
Engine Assembly	40
Air Cleaner Assembly No. 93-2190	42
Suspension Platform and Seat Assembly.....	44
Seat Assembly No. 135-3443	46
Deck Assembly.....	48
Deck Decal Assembly No. 126-8957	50
Deflector Assembly No. 120-2451.....	52
Fuel System Assembly	54
Carburetor Assembly	56
Air Intake and Filtration Assembly	58
Ignition and Cooling Fan Assembly	60
Crankcase and Crankshaft Assembly.....	62
Governor Control Assembly	64
Piston and Cylinder Head Assembly	66
Blower Housing Assembly	68
Gasket and Seal Kit	70
Attachments and Accessories	72

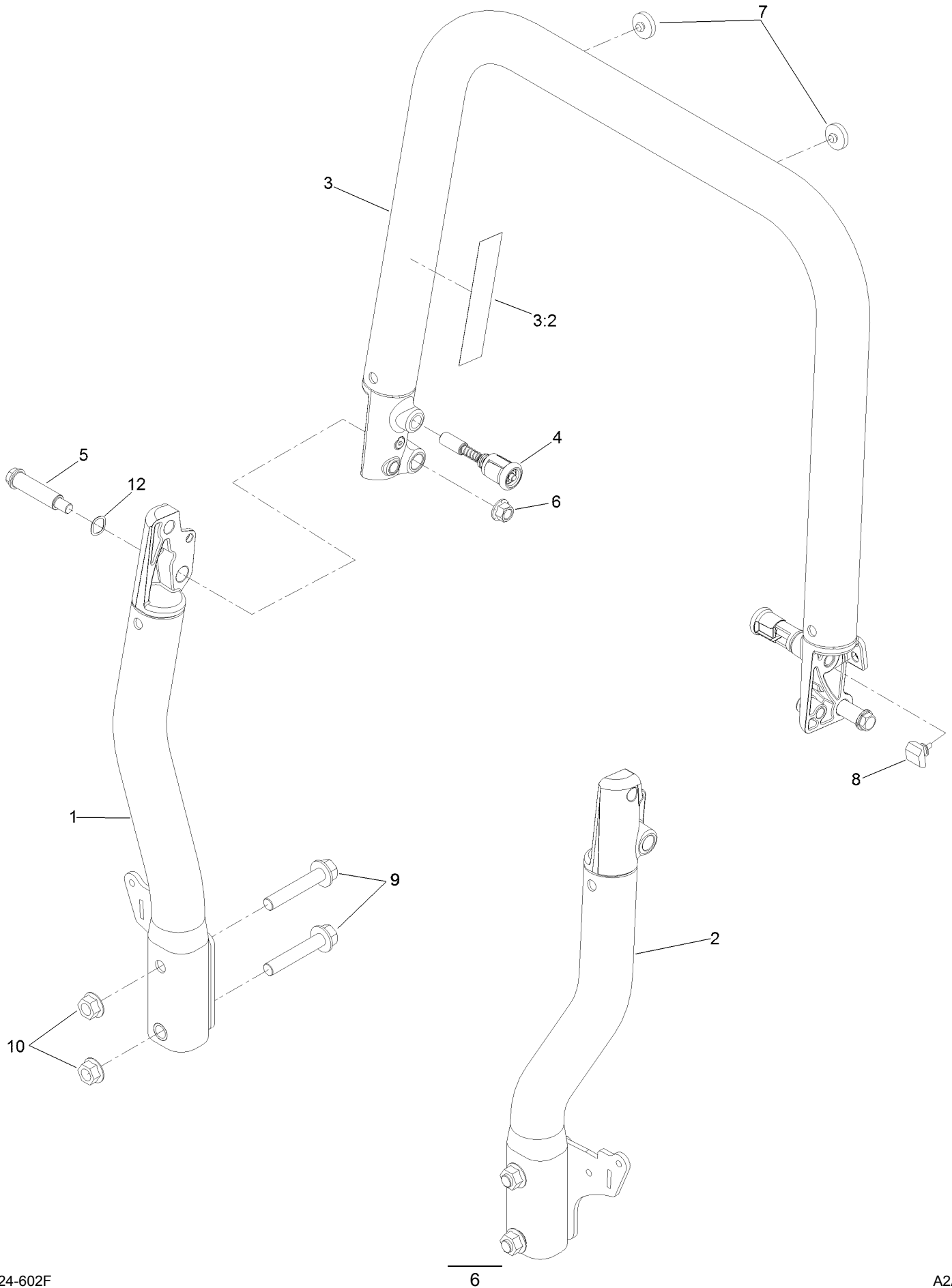
Frame and Roll-Over Protection System Assembly



Frame and Roll-Over Protection System Assembly (continued)

<i>Ref.</i>	<i>Part Number</i>	<i>Qty.</i>	<i>Description</i>	<i>Ref.</i>	<i>Part Number</i>	<i>Qty.</i>	<i>Description</i>
3	109-9233	2	Bumper-Push-In, Rubber	11	136-8987	1	ROPS ASM
8	136-8983	1	Suspension Frame ASM	25	133-9345-01	1	Plate-Front
8:2	109-6014	1	Decal-Routing, Belt	26	32144-70	2	Screw-HWHTF
8:3	116-8588	2	Decal-Release, Drive	27	136-8968	1	Decal-Titan HD
8:4	126-4363	2	Decal-Warning	29	136-8992	1	Decal-Fill, Fuel
8:5	127-6618	1	Strip-Seal				

Roll-Over Protection System Assembly No. 136-8987

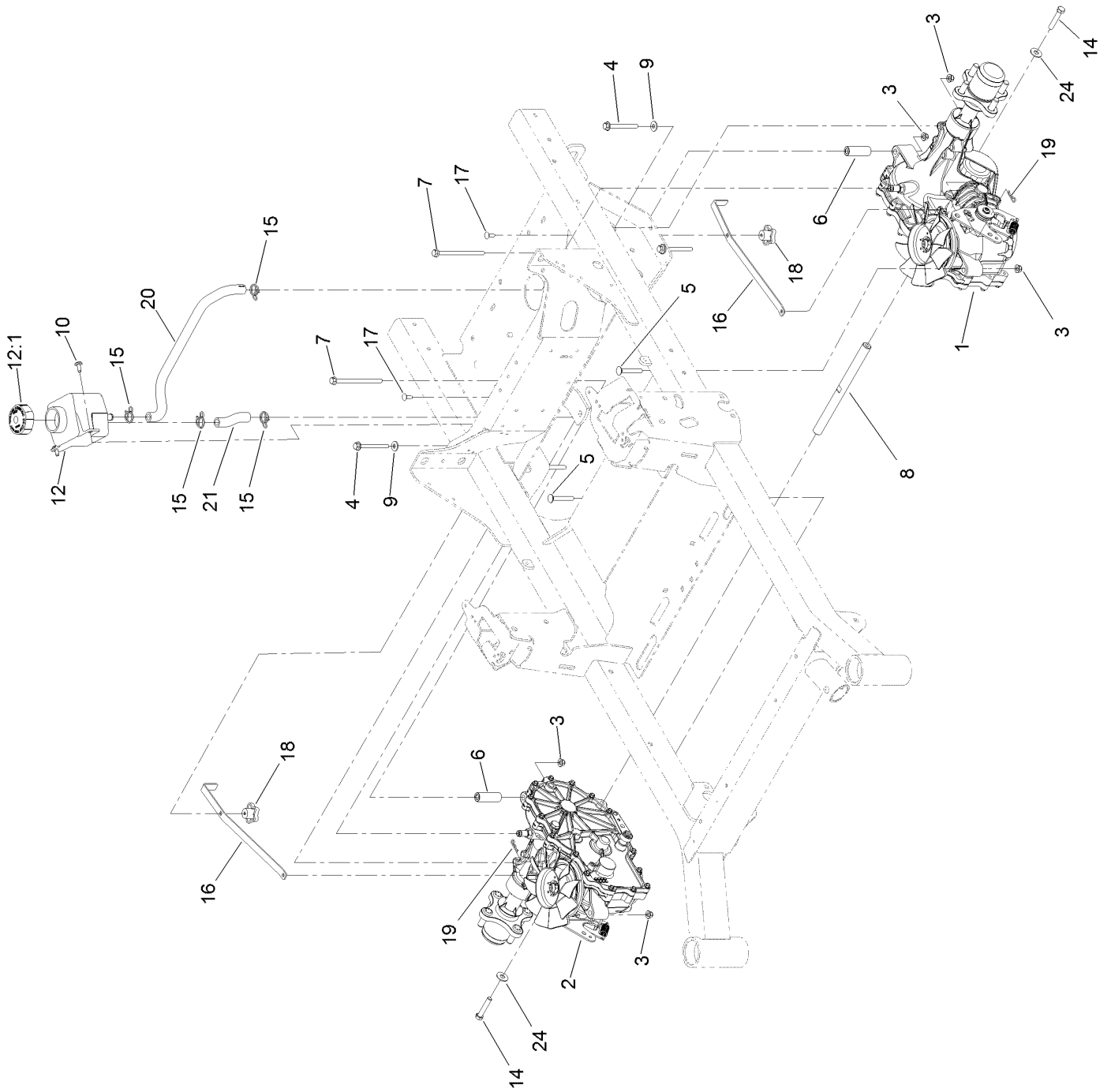


Roll-Over Protection System Assembly No. 136-8987 (continued)

<i>Ref.</i>	<i>Part Number</i>	<i>Qty.</i>	<i>Description</i>	<i>Ref.</i>	<i>Part Number</i>	<i>Qty.</i>	<i>Description</i>
1		1	Tube-Upright, RH ●	6	99-5107	2	Nut-Lock
2		1	Tube-Upright, LH ●	7	135-0504	2	Bumper-ROPS
3		1	Top Tube ASM ●	8	126-9966	2	Bumper-ROPS
3:2	107-3069	1	Decal-Warning	9	126-9488	4	Screw-HHF
4	116-0104	2	Pin-Spring	10	32128-50	4	Nut-Flange
5	126-9209	2	Bolt-Shoulder	12	119-4164	2	Washer-Wave

● Not serviced separately

Hydraulic Drive Assembly

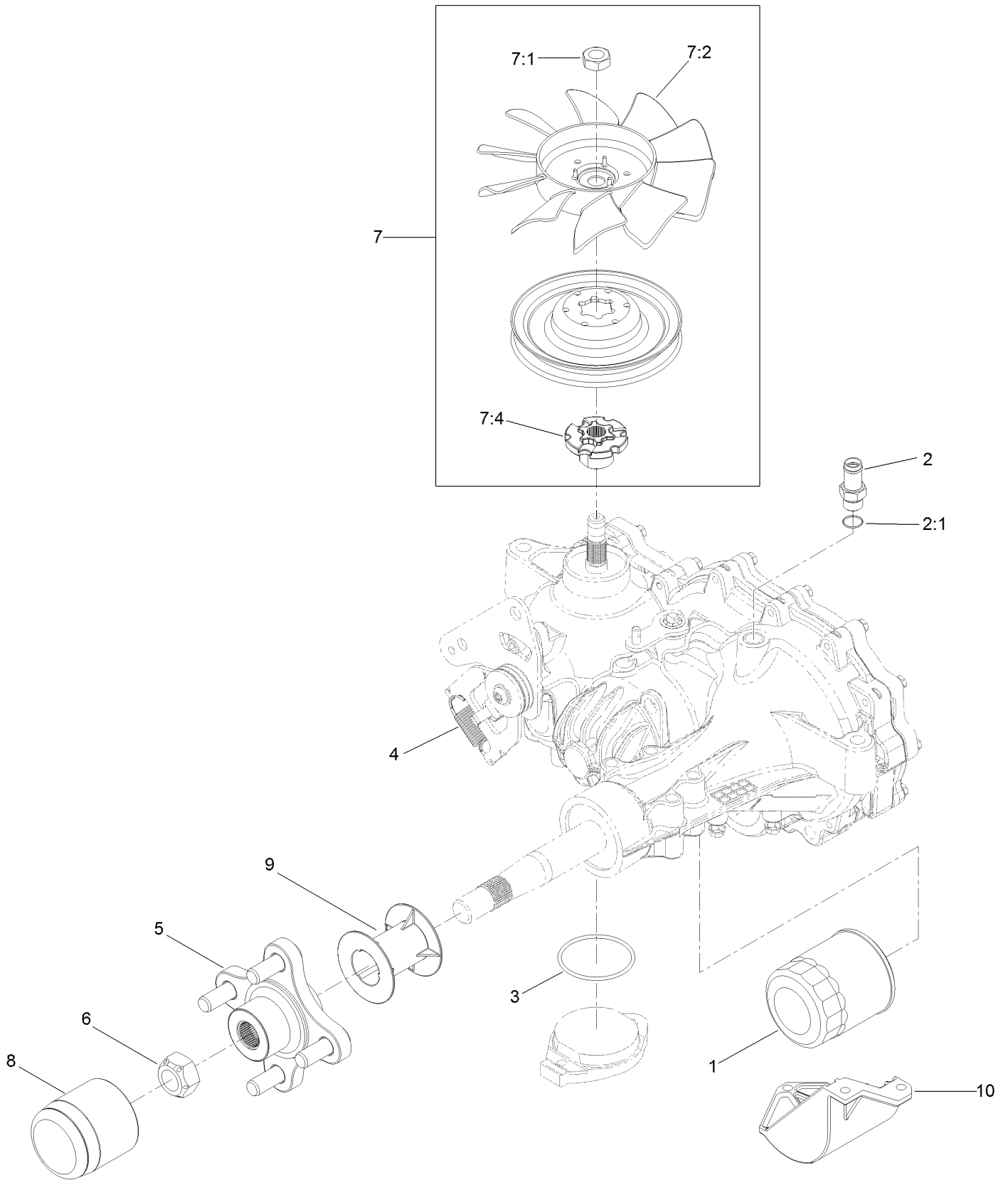


Hydraulic Drive Assembly (continued)

<i>Ref.</i>	<i>Part Number</i>	<i>Qty.</i>	<i>Description</i>	<i>Ref.</i>	<i>Part Number</i>	<i>Qty.</i>	<i>Description</i>
1	135-0140	1	LH Transaxle ASM	12:1	109-3320	1	Cap-Reservoir, HYD
2	135-0139	1	RH Transaxle ASM	14	94-7972	2	Screw-HH W/Loctite ●
3	104-8300	8	Nut-HF, NI	15	126-0327	4	Clamp-Hose
4	126-4687	4	Screw-HHF	16	109-5395	2	Arm-Bypass, Hydro
5	3230-7	2	Bolt-CARR	17	3229-1	2	Screw-CARR
6	116-5809	2	Spacer-Hydro	18	108-6402	2	Knob-Handle
7	126-5896	2	Screw HHF	19	1-806003	2	Pin-Cotter
8	116-6833	1	Shaft-Spacer	20	133-1325	1	Hose-Hydraulic
9	1-303334	4	Washer-Spring	21	133-1320	1	Hose-Hydraulic
10	126-6266	2	Screw-Tph	24	3256-4	2	Washer-Flat
12	109-2250	1	Tank-HYD				

● Use Pro-Lock, Nut Type (P/N 1-840022, .5ml tube) on threads.

LH Transaxle Assembly No. 135-0140

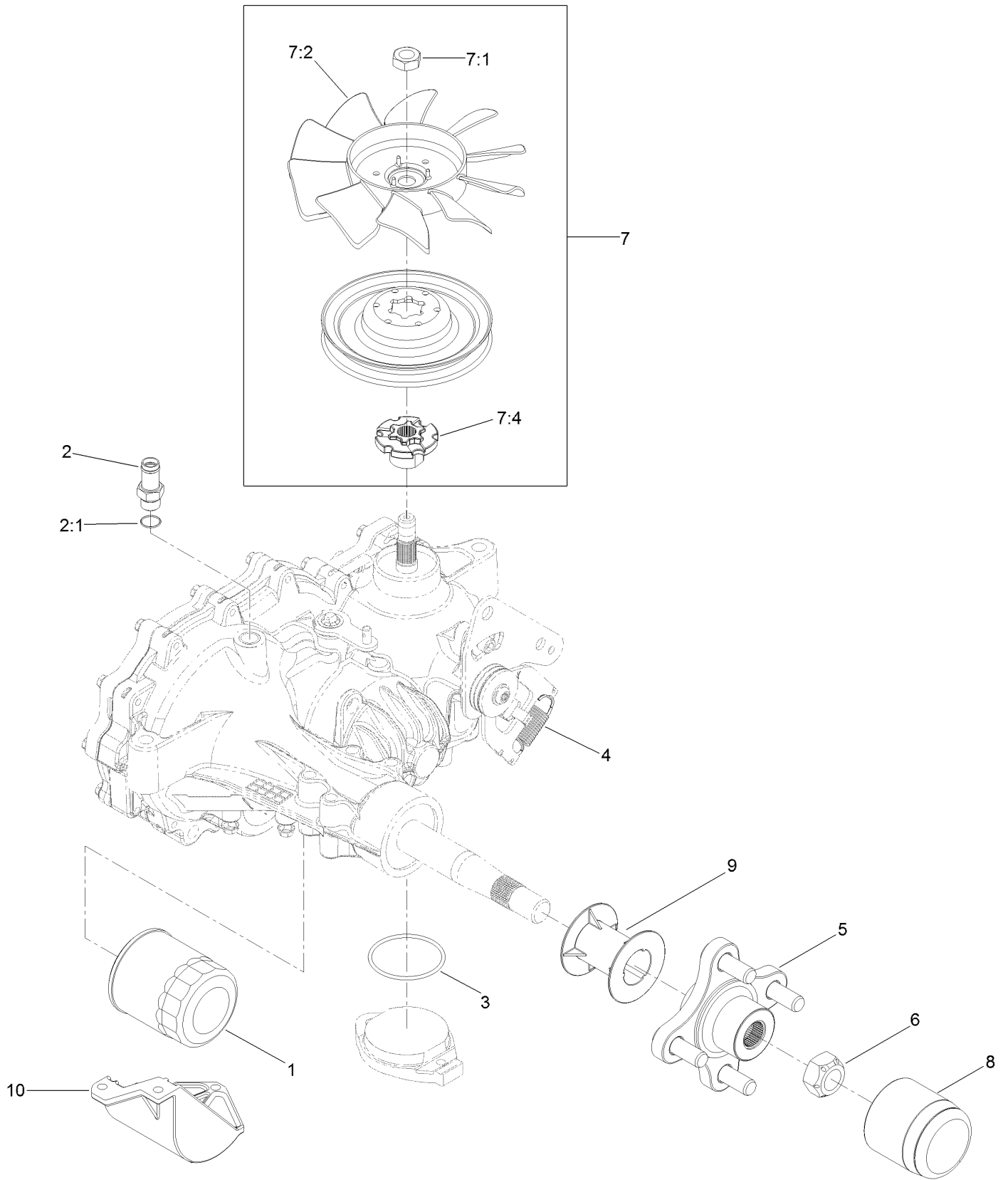


LH Transaxle Assembly No. 135-0140 (continued)

<i>Ref.</i>	<i>Part Number</i>	<i>Qty.</i>	<i>Description</i>	<i>Ref.</i>	<i>Part Number</i>	<i>Qty.</i>	<i>Description</i>
1	109-3321	1	Filter-Hydraulic	7:1	116-9714	1	Nut-HJ
2	109-3278	1	Adapter-Straight	7:2	126-0226	1	Fan
2:1	237-42	1	O-Ring	7:4	116-9705	1	Hub-Pulley
3	109-3540	1	O-Ring-Charge Seal Cover	8	116-6214	1	Cap-Axle, Long
4	109-5592	1	Spring	9	116-6213	1	Tube-Axle
5	116-3872	1	Hub-Offset	10	120-7979	1	Guard-Filter, LH
6	109-3536	1	Nut-Hub	99	109-3537	1	Seal Kit ●
7	125-0059	1	Fan And Pulley Kit	99	135-3604	1	Brake Shaft Seal Kit

● Not illustrated

RH Transaxle Assembly No. 135-0139

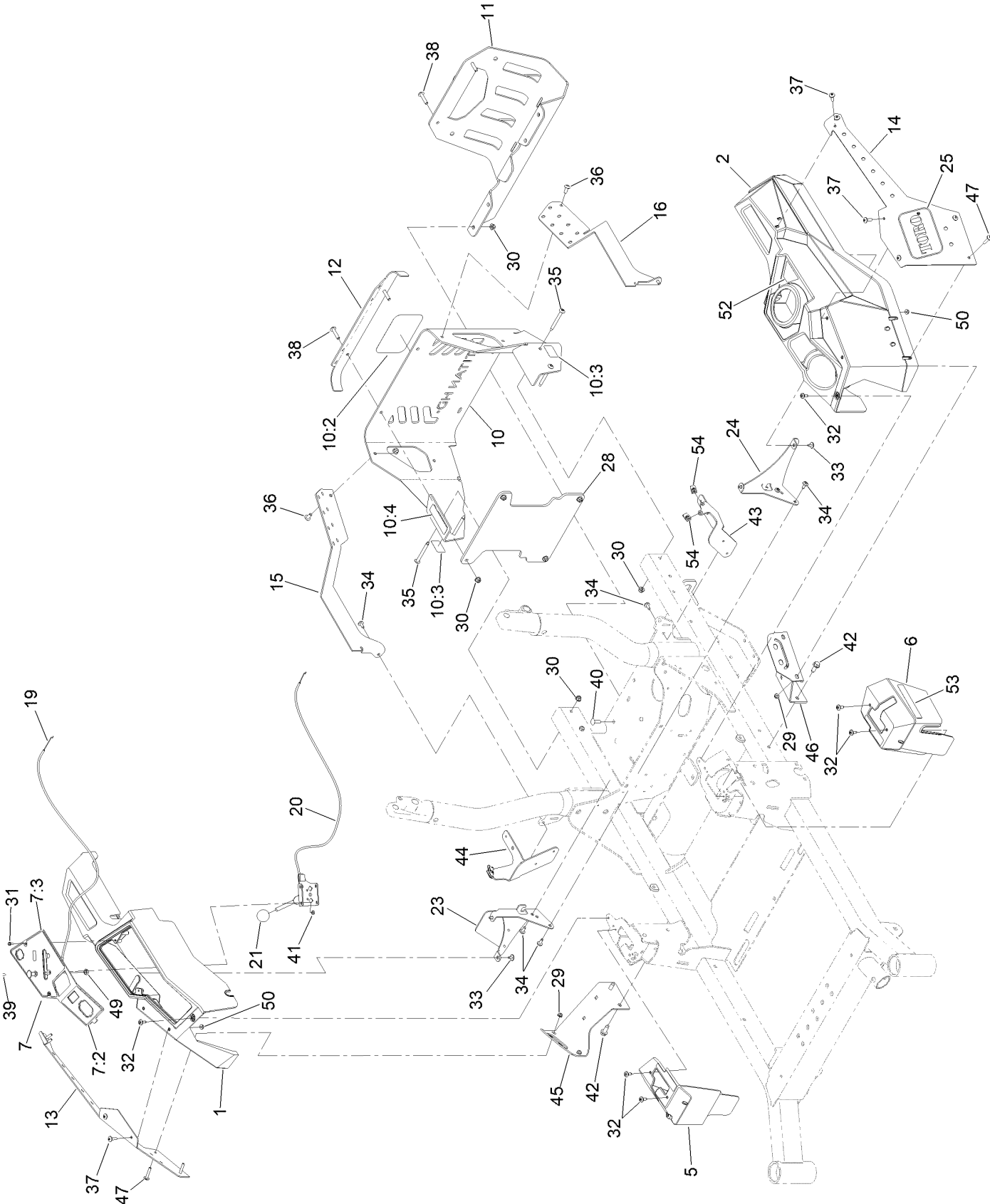


RH Transaxle Assembly No. 135-0139 (continued)

<i>Ref.</i>	<i>Part Number</i>	<i>Qty.</i>	<i>Description</i>	<i>Ref.</i>	<i>Part Number</i>	<i>Qty.</i>	<i>Description</i>
1	109-3321	1	Element-Oil Filter, HYD	7:1	116-9714	1	Nut-HJ
2	109-3278	1	Adapter-Straight	7:2	126-0226	1	Fan
2:1	237-42	1	O-Ring	7:4	116-9705	1	Hub-Pulley
3	109-3540	1	O Ring-Seal	8	116-6214	1	Cap-Axle, Long
4	109-5592	1	Spring-Extension	9	116-6213	1	Tube-Axle
5	116-3872	1	Hub-Offset	10	120-7981	1	Guard-Filter, RH
6	109-3536	1	Nut-Hub	99	109-3537	1	Seal Kit ●
7	125-0059	1	Fan And Pulley Kit	99	135-3604	1	Brake Shaft Seal Kit

● Not illustrated

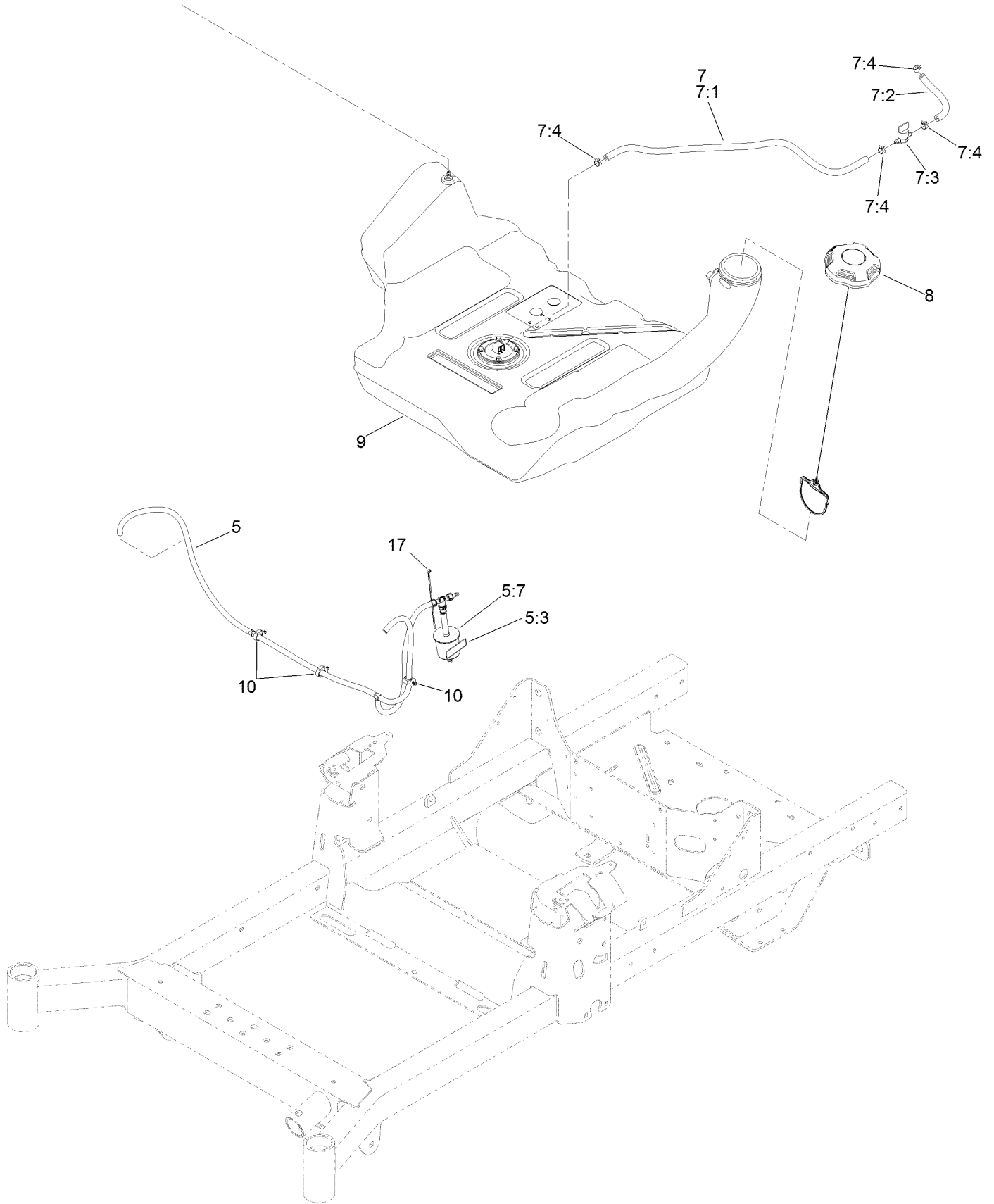
Control Console and Guard Assembly



Control Console and Guard Assembly (continued)

<i>Ref.</i>	<i>Part Number</i>	<i>Qty.</i>	<i>Description</i>	<i>Ref.</i>	<i>Part Number</i>	<i>Qty.</i>	<i>Description</i>
1	126-4983	1	Console-RH	29	104-7201	4	Nut-HF, NI
2	126-4984	1	Console-LH	30	104-8300	12	Nut-HF, NI
5	126-7371	1	Cover-Control, Motion (RH)	31	117-5036	2	Screw-Plastic, HWH
6	126-7372	1	Cover-Control, Motion (LH)	32	120-7950	6	Screw-Torx
7	136-1673	1	Control Panel ASM	33	126-5544	4	Screw-Torx
7:2	126-9115	1	Decal-Panel, Control	34	126-6266	8	Screw-Tph
7:3	136-1305	1	Decal-Panel, Control	35	126-6267	4	Screw-TTH
10	126-7803	1	Rear Guard ASM	36	126-6268	2	Screw-TTH
10:2	99-4693	1	Decal	37	126-6269	8	Screw-Truss
10:3	106-5517	2	Decal-Warning	38	126-7439	4	Screw-Torx
10:4	133-8062	1	Decal-Arrestor, Spark	39	1-807513	2	Bolt-CARR
11	126-7664-03	1	Guard-Muffler	40	3230-22	2	Screw-CARR
12	126-6260-01	1	Trim-Upper, Rear	41	3296-2	2	Nut-Lock, NI
13	136-1745-01	1	Cover-Pod, RH	42	126-1696	4	Screw-HWHTF
14	136-1746-01	1	Cover-LH	43	126-9808-03	1	Bracket-Support, Left Pod
15	126-9023-01	1	Bracket-Guard, RH	44	126-9809-03	1	Bracket-Support, Right Pod
16	126-9022-01	1	Bracket-Guard, LH	45	136-9030-01	1	Bracket-Support, Pod (RH)
19	126-7009	1	Cable-Control, Choke	46	136-9029-01	1	Bracket-Support, Pod (LH)
20	126-7008	1	Cable-Control, Throttle	47	126-8232	4	Screw-Truss Hex Skt
21	1-603175	1	Knob-Ball	49	3220-3	1	Nut-HJ
23	126-9945	1	Support-Console, RH	50	32149-2	4	Nut-Keps
24	126-5532-03	1	Bracket-Console, LH	52	126-9939	1	Decal-Fill, Fuel
25	68-3640	2	Decal	53	126-9299	2	Decal
28	126-9165-01	1	Weight-Rear	54	126-3739	4	Nut-Retainer

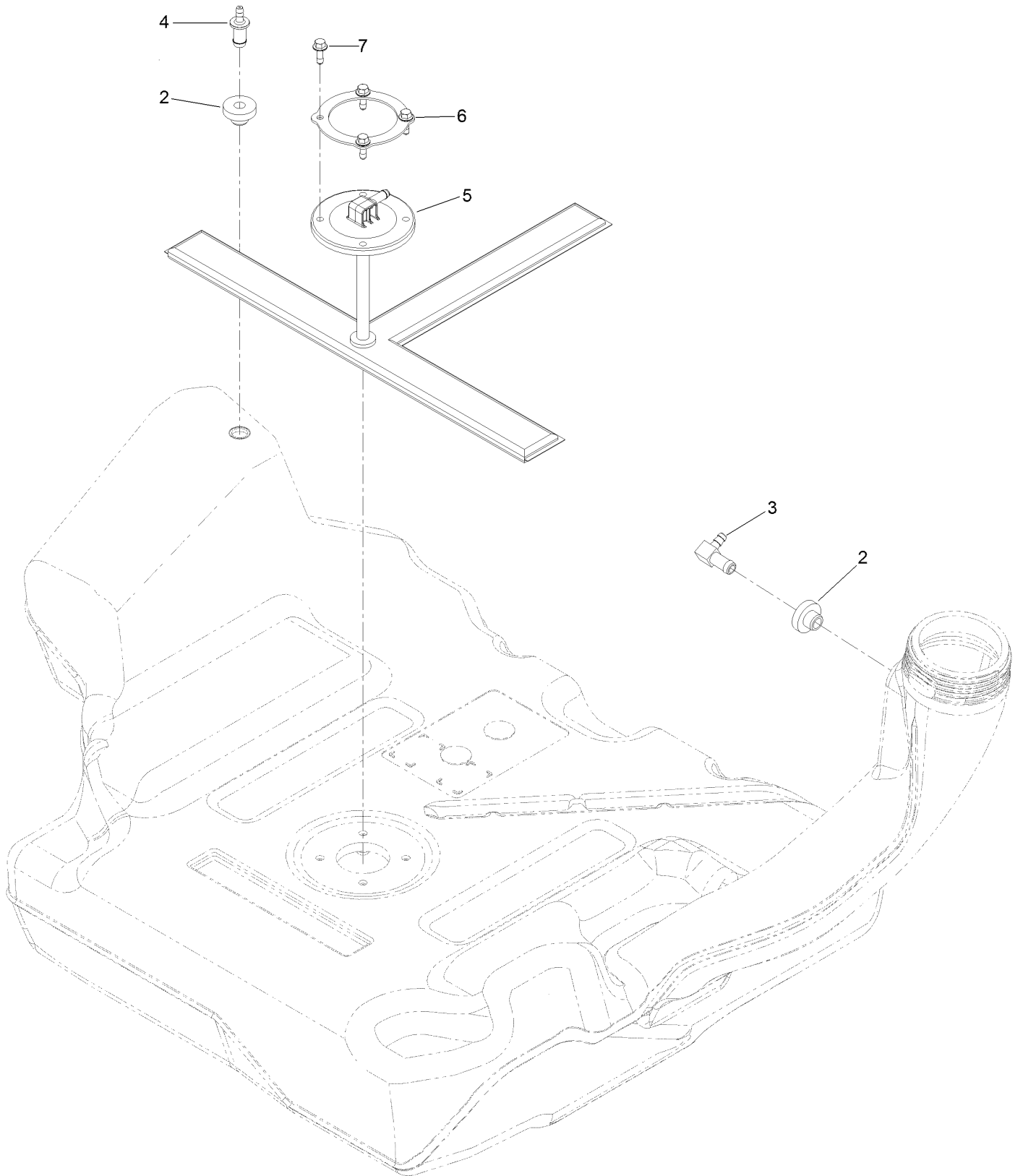
Fuel Tank and Vent Hose System Assembly



Fuel Tank and Vent Hose System Assembly (continued)

<i>Ref.</i>	<i>Part Number</i>	<i>Qty.</i>	<i>Description</i>	<i>Ref.</i>	<i>Part Number</i>	<i>Qty.</i>	<i>Description</i>
5	126-8738	1	Vent Hose ASM	7:3	1-603770	1	Valve-Fuel
5:3	116-4769	1	Decal-Filter, Emissions	7:4	2412-98	4	Clamp-Hose
5:7	120-2235	1	Filter-Fuel	8	135-4801	1	Cap-Fuel, Ratcheting
7	126-8740	1	Fuel Hose ASM	9	126-4724	1	Tank-Fuel
7:1	109-0302	1	Hose-Fuel	10	126-5523	3	Clip
7:2	109-0678	1	Hose-Fuel	17	1-303287	1	Tie-Cable

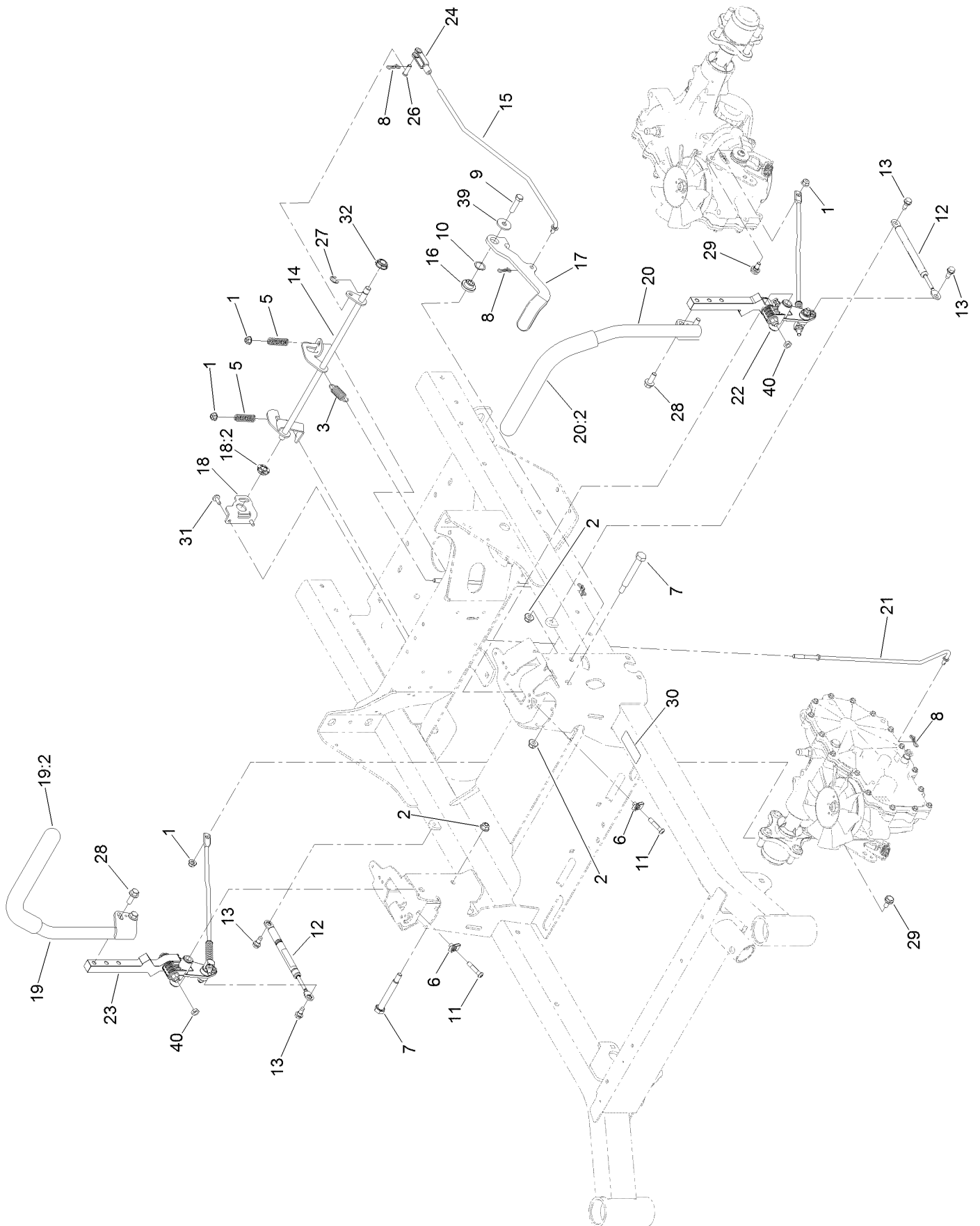
Fuel Tank Assembly No. 126-4724



Fuel Tank Assembly No. 126-4724 (continued)

<i>Ref.</i>	<i>Part Number</i>	<i>Qty.</i>	<i>Description</i>	<i>Ref.</i>	<i>Part Number</i>	<i>Qty.</i>	<i>Description</i>
2	46-6560	2	Bushing	5	126-5528	1	Pickup-Fuel
3	126-9057	1	Fitting-90 DEG	6	126-5527	1	Ring-Retainer
4	116-4630	1	Fitting-Orifice, Straight	7	126-5525	4	Bolt

Motion Control Assembly



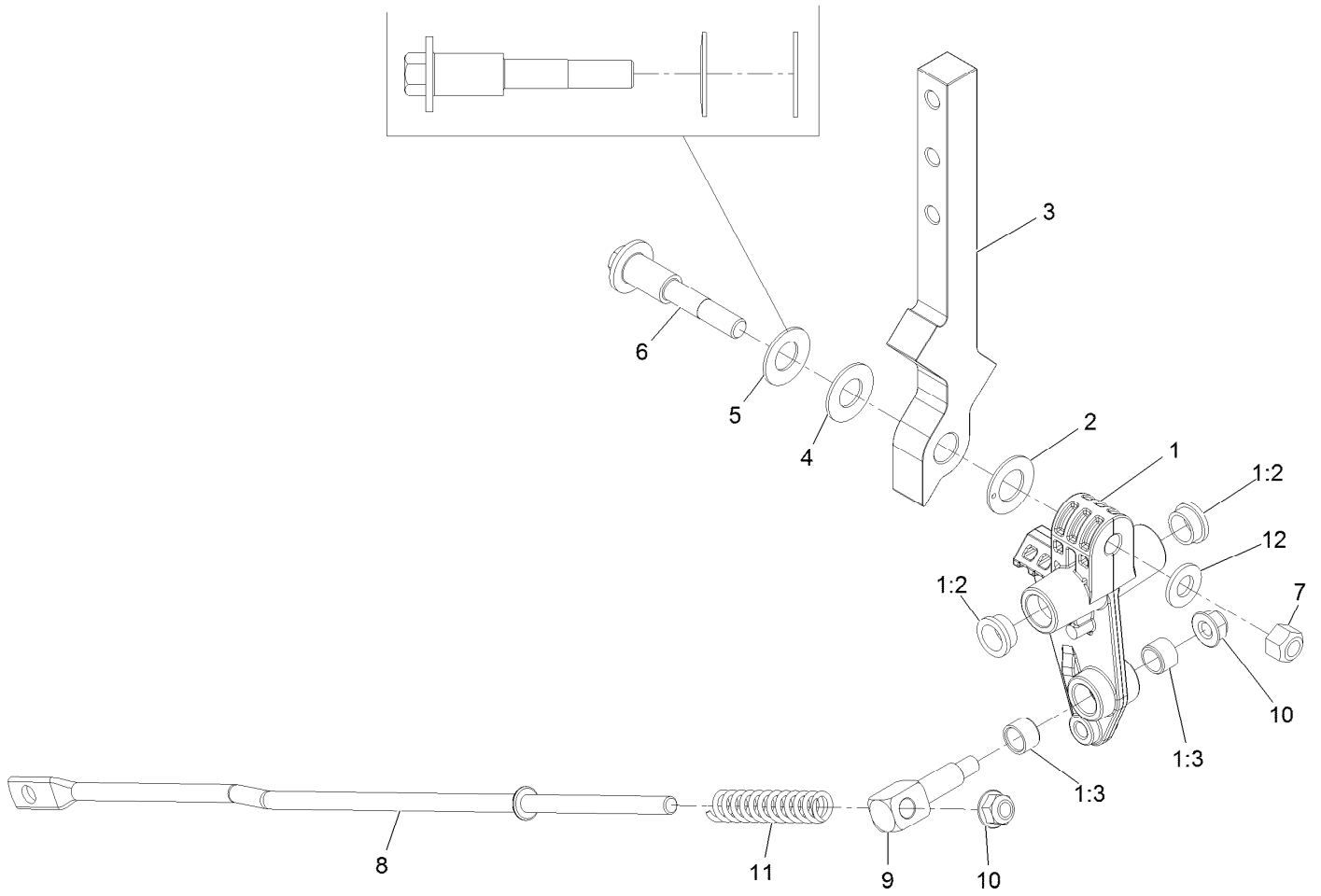
Motion Control Assembly (continued)

<i>Ref.</i>	<i>Part Number</i>	<i>Qty.</i>	<i>Description</i>	<i>Ref.</i>	<i>Part Number</i>	<i>Qty.</i>	<i>Description</i>
1	104-8300	4	Nut-HF, NI	19	136-1725	1	RH Control Handle ASM
2	104-8301	3	Nut-HF, NI	19:2	126-7359	1	Grip
3	107-1045	1	Spring-Extension	20	136-1728	1	LH Control Handle ASM
5	109-7694	2	Spring-Compression	20:2	126-7359	1	Grip
6	112-3306	2	Nut	21	126-7217	2	Linkage-Brake, Lower
7	115-5099	2	Bolt-Pivot	22		1	LH Motion Control ASM ●
8	119-1415	4	Pin-Cotter, Locking	23		1	RH Motion Control ASM ●
9	323-8	1	Screw-HH	24	1-303105	1	Yoke-Adjustable
10	119-4164	1	Washer-Wave	26	1-808280	1	Pin-Clevis
11	126-4299	2	Screw-HSBH	27	32120-47	1	Ring-Retaining, External
12	126-4322	2	Damper	28	3234-42	4	Screw-HHF
13	126-4424	4	Screw-Shoulder	29	37-8771	2	Bolt-Shoulder, HF
14	126-5813	1	Shaft-Brake	30	115-9625	1	Decal-Brake, Parking
15	126-5819	1	Linkage-Brake, Upper	31	126-6266	2	Screw-Tph
16	126-5989	1	Pivot-Flange	32	126-5820	1	Bearing-Spherical
17	126-9490	1	Lever-Brake (With Grip)	39	2844	1	Washer
18	126-6456	1	Bracket-Brake	40	3218-3	2	Nut-Jam
18:2	126-5820	1	Bearing-Spherical				

● Not serviced separately

LH and RH Motion Control Assembly

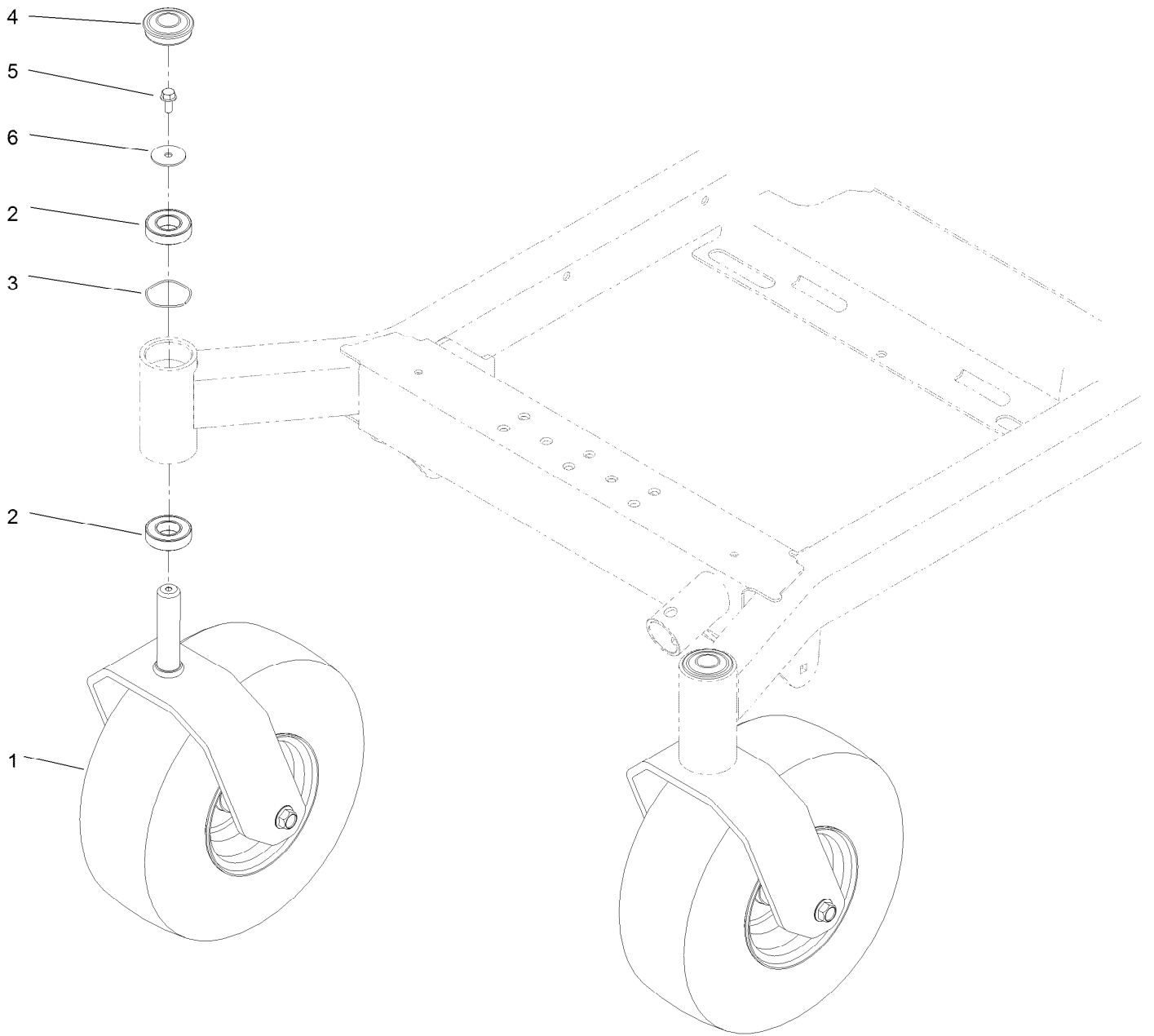
WASHER ORIENTATION



LH and RH Motion Control Assembly (continued)

<i>Ref.</i>	<i>Part Number</i>	<i>Qty.</i>	<i>Description</i>	<i>Ref.</i>	<i>Part Number</i>	<i>Qty.</i>	<i>Description</i>
1	126-3773	1	Control Arm ASM	6	117-1198	1	Bolt-Pivot
1:2	126-8909	2	Bushing	7	32152-2	1	Nut-Lock, Cone
1:3	1-413152	2	Bushing-Sleeve	8	126-5435	1	Link-Control
2	126-7296	1	Washer-Friction	9	126-5434	1	Swivel
3	126-8182	1	Arm-Control	10	104-8300	2	Nut-HF, NI
4	117-1240	1	Washer	11	126-8195	1	Spring-Return, Neutral
5	119-8925	1	Washer-Belleville	12	3256-24	1	Washer-Plain

Caster Wheel and Fork Assembly

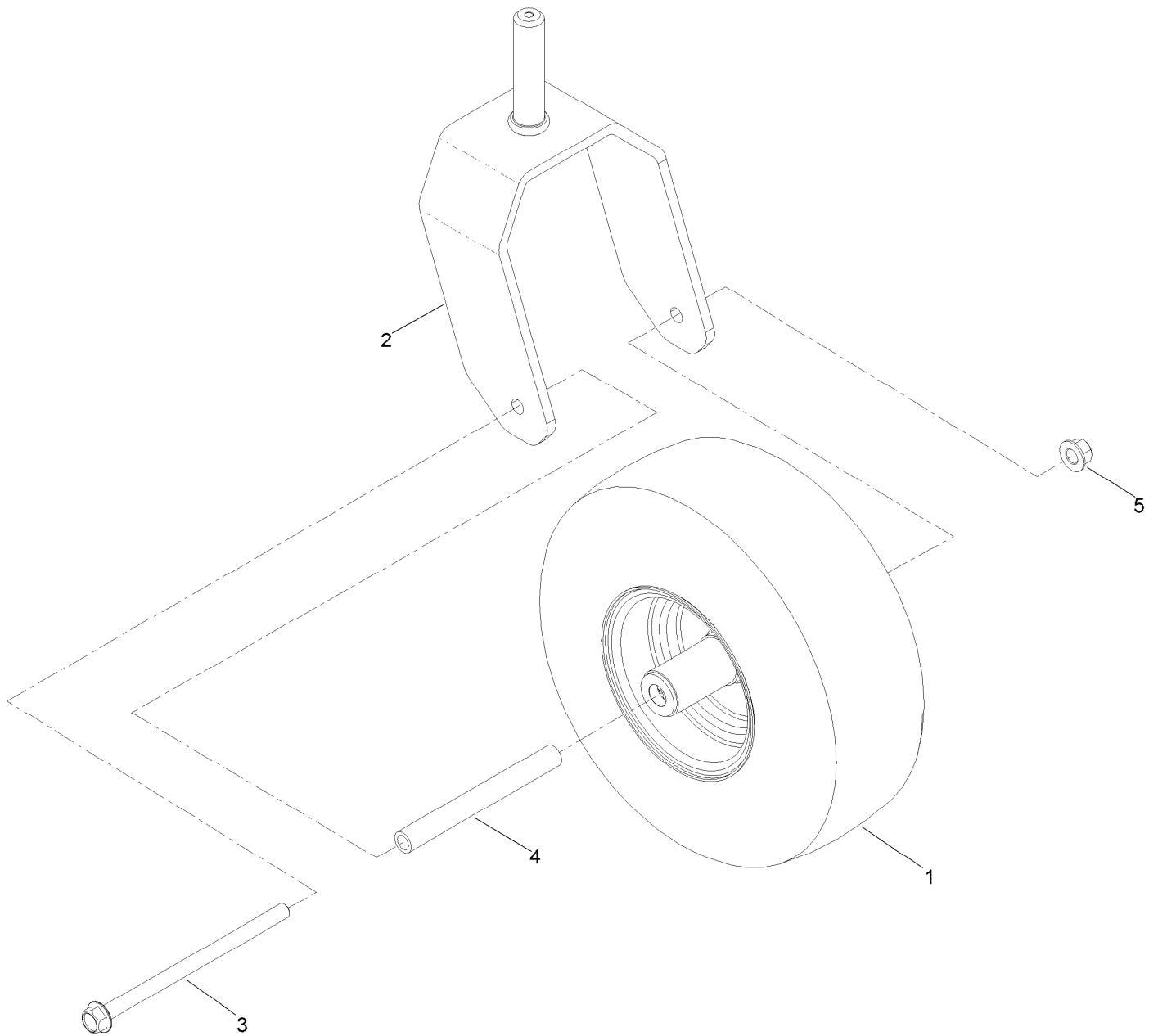


Caster Wheel and Fork Assembly (continued)

<i>Ref.</i>	<i>Part Number</i>	<i>Qty.</i>	<i>Description</i>	<i>Ref.</i>	<i>Part Number</i>	<i>Qty.</i>	<i>Description</i>
1		2	Front Caster ASM (W/Fork) ●	4	116-4348	2	Cap-Grease
2	109-3678	4	Bearing-Ball	5	3234-5	2	Screw-HHF
3	126-5897	2	Spring	6	3256-68	2	Washer-Flat

● Not serviced separately

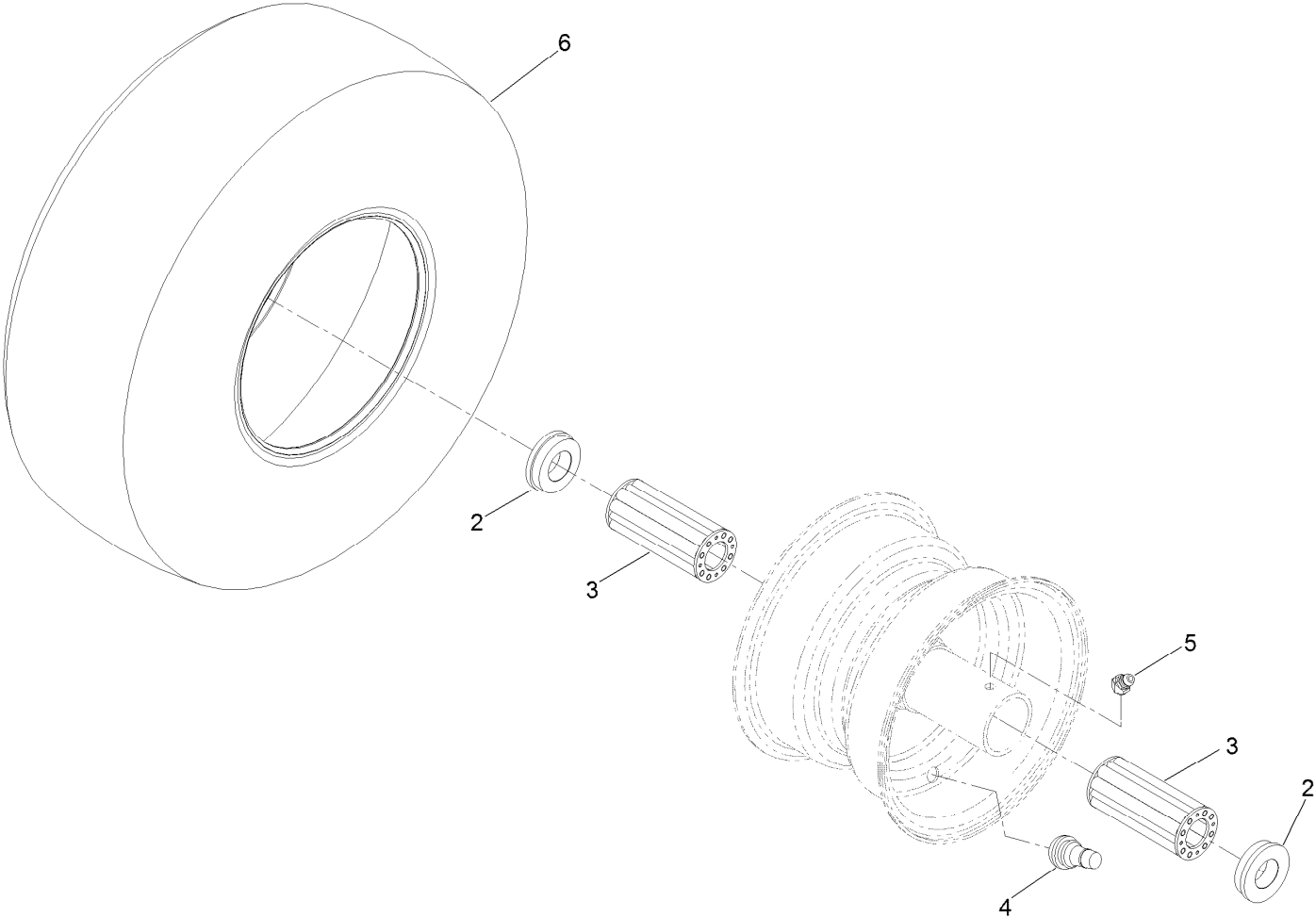
Fork and Caster Wheel Assembly



Fork and Caster Wheel Assembly (continued)

<i>Ref.</i>	<i>Part Number</i>	<i>Qty.</i>	<i>Description</i>	<i>Ref.</i>	<i>Part Number</i>	<i>Qty.</i>	<i>Description</i>
1	126-7592	1	Wheel And Tire ASM	4	127-0068	1	Spanner-Wheel, Caster
2	126-4312-01	1	Fork-Caster	5	99-5107	1	Nut-Lock
3	126-5389	1	Screw-HHF				

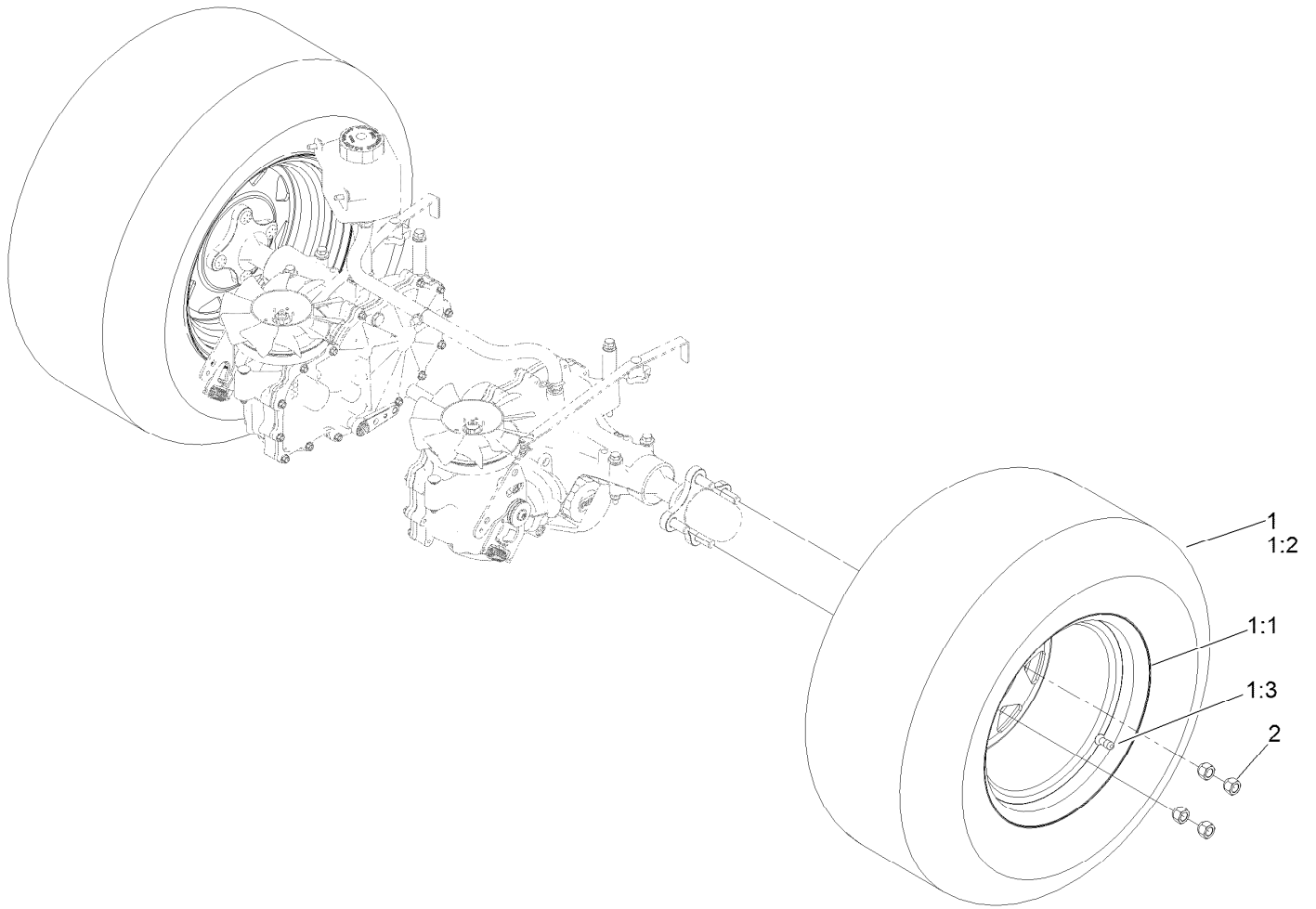
Wheel and Tire Assembly No. 126-7592



Wheel and Tire Assembly No. 126-7592 (continued)

<i>Ref.</i>	<i>Part Number</i>	<i>Qty.</i>	<i>Description</i>	<i>Ref.</i>	<i>Part Number</i>	<i>Qty.</i>	<i>Description</i>
2	130-0705	2	Bushing-Flange	5	120-7125	1	Fitting-Zerk
3	135-4489	2	Bearing-Roller, Wheel	6	126-5959	1	Tire
4	5108	1	Valve				

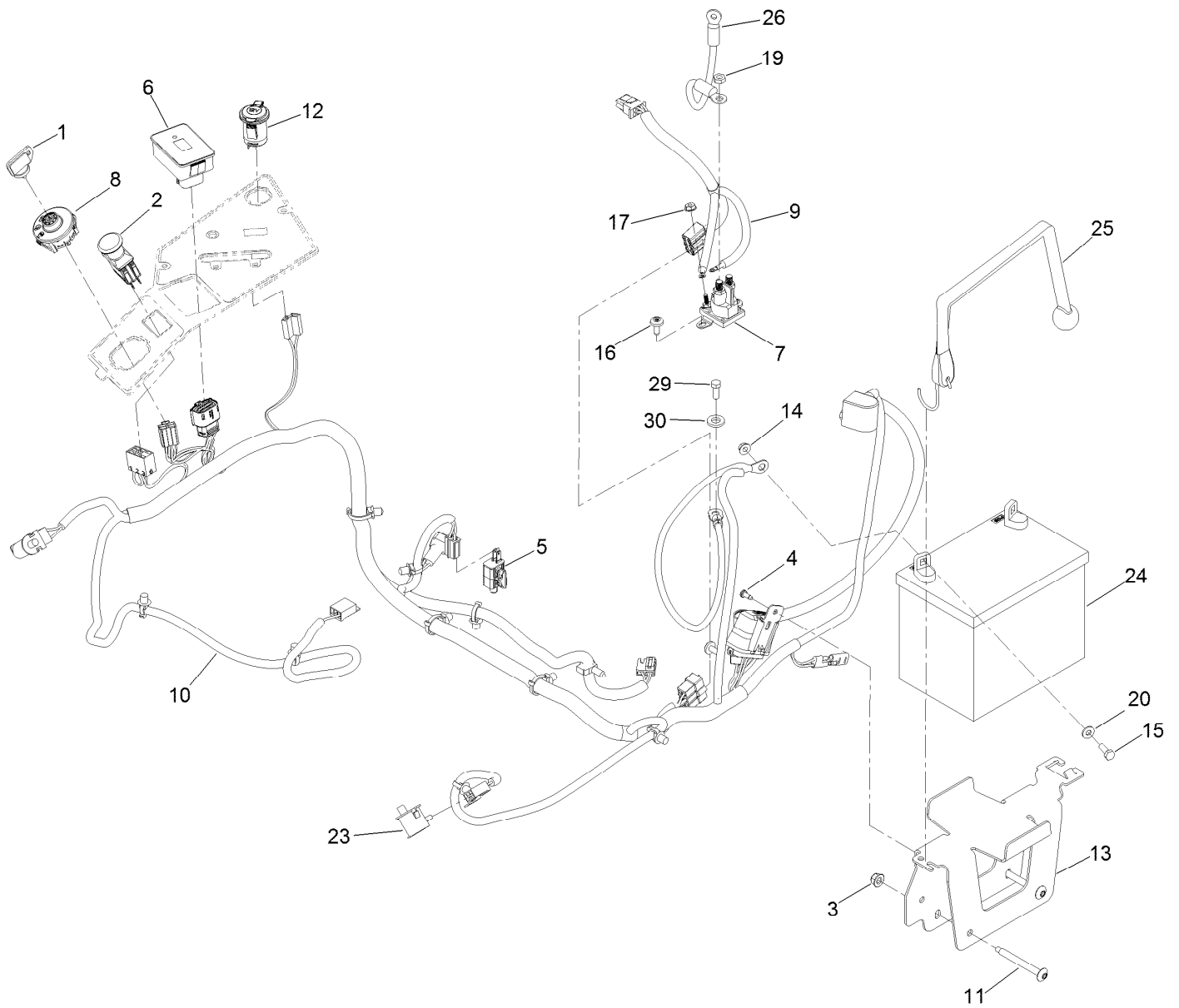
Rear Wheel Assembly



Rear Wheel Assembly (continued)

<i>Ref.</i>	<i>Part Number</i>	<i>Qty.</i>	<i>Description</i>	<i>Ref.</i>	<i>Part Number</i>	<i>Qty.</i>	<i>Description</i>
1	126-7829	2	Wheel And Tire ASM	1:3	232-27	1	Stem-Valve
1:1	126-7828	1	Rim-Wheel	2	242-50	8	Nut-Lug
1:2	126-3288	1	Tire				

Electrical Assembly



Electrical Assembly (continued)

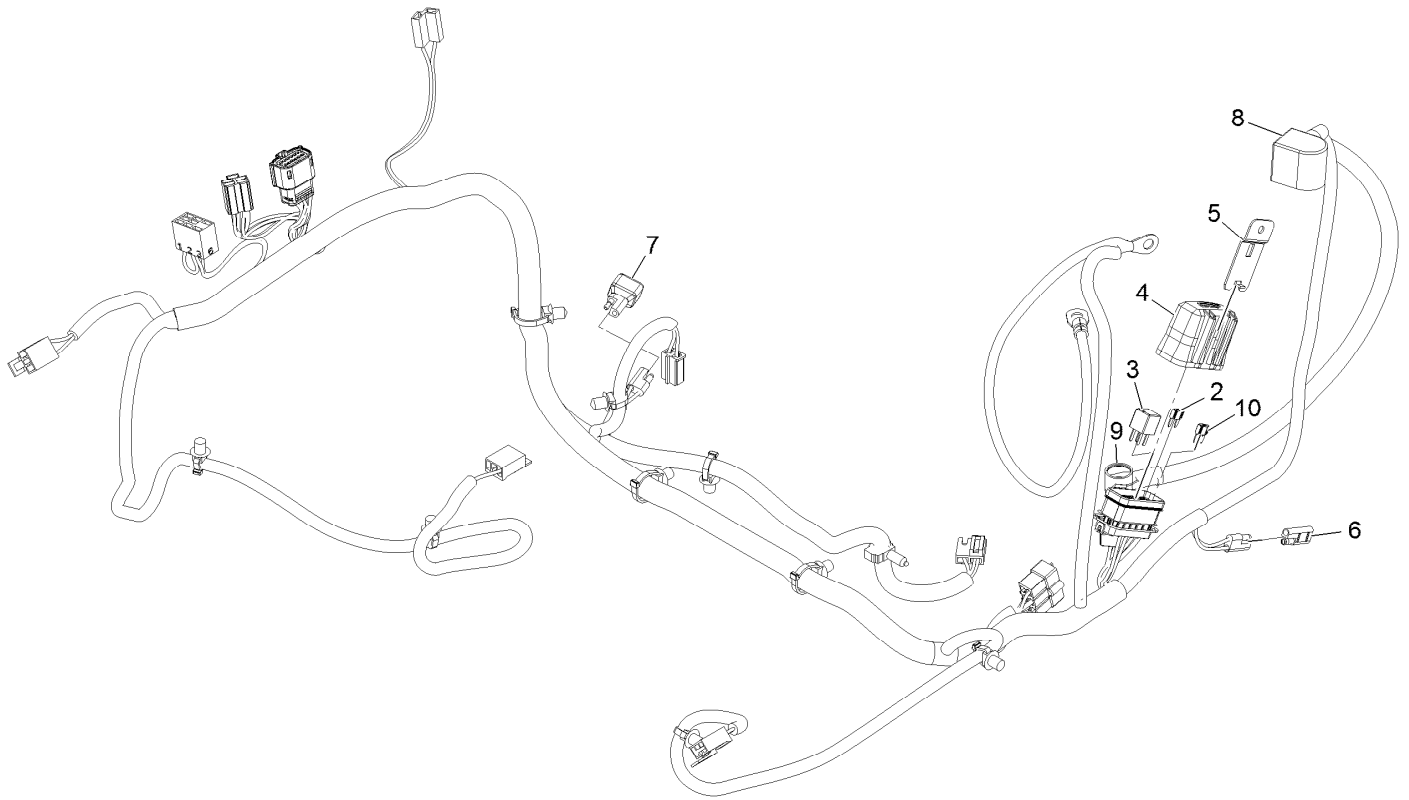
<i>Ref.</i>	<i>Part Number</i>	<i>Qty.</i>	<i>Description</i>	<i>Ref.</i>	<i>Part Number</i>	<i>Qty.</i>	<i>Description</i>
1	63-8360	1	Key-Ignition	14	32128-33	2	Nut-HF
2	103-5221	1	Switch-PTO	15	321-4	2	Screw-HH
3	104-8300	2	Nut-HF, NI	16	126-6266	2	Screw-Tph
4	105-6849	1	Screw-Forming, Thread	17	32149-8	2	Nut-Keps
5	110-6765	1	Switch	19	3220-2	1	Nut-Jam
6	116-5609	1	Module ASM	20	3256-22	2	Washer-Flat
7	117-1197	1	Solenoid	23	82-2190	2	Switch-Bail
8	137-4100	1	Switch-Ignition	24		1	Battery ●■
9	126-5036	1	Adapter-Harness, Wire	25	126-7627	1	Strap-Bungee
10	126-5803	1	Harness-Wire ▲	26	100-3540	1	Cable-Battery, Positive
11	126-6267	2	Screw-TTH	29	135-2868	1	Screw-HH
12	126-6499	1	Port-Power, 12V	30	3256-23	1	Washer-Plain
13	126-6725-03	1	Tray-Battery				

● Obtain locally.

■ Not serviced separately

▲ Use dielectric grease on all unsealed connectors and terminals only. Do not apply in sealed connectors.

Harness Assembly No. 126-5803

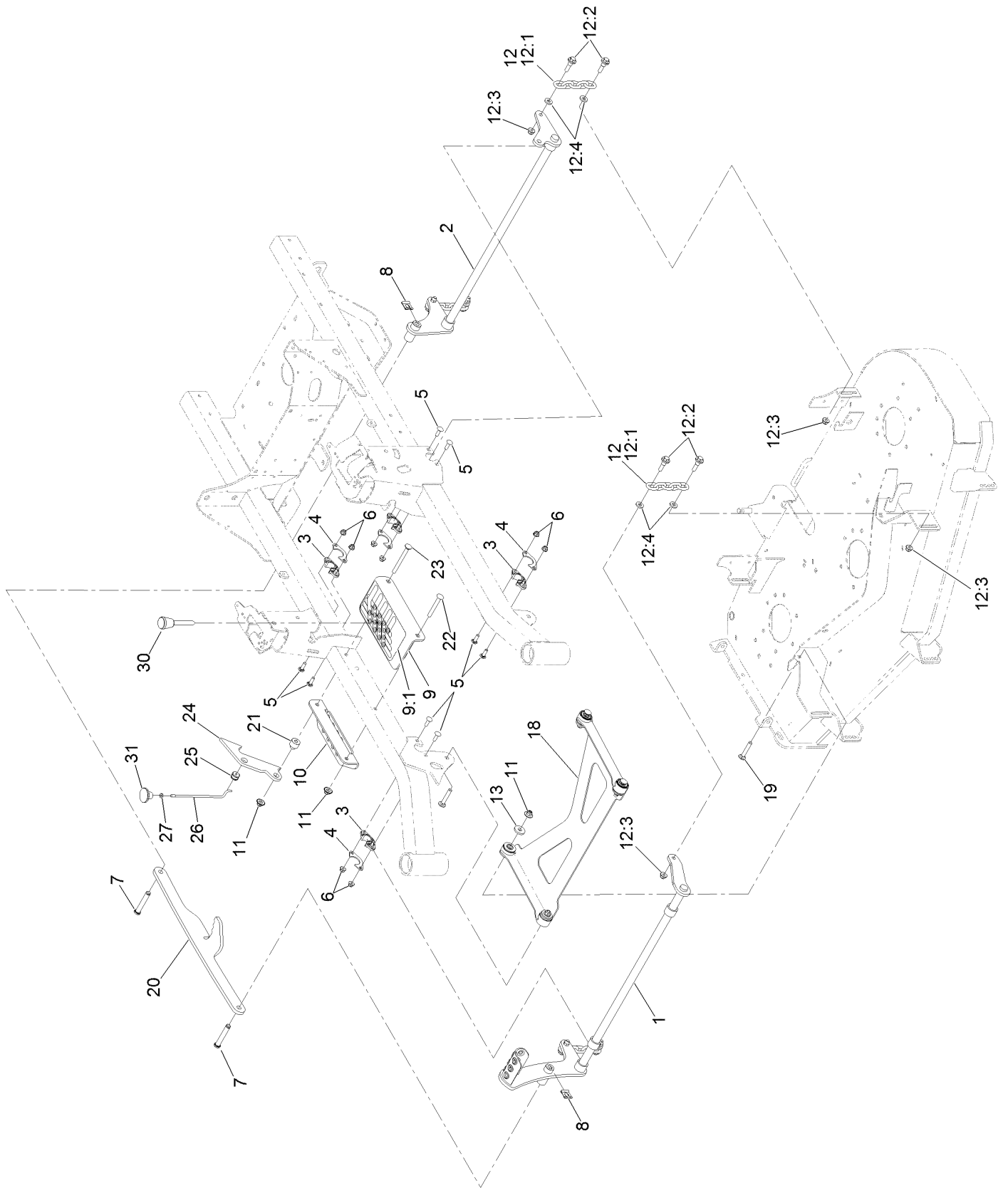


Harness Assembly No. 126-5803 (continued)

<i>Ref.</i>	<i>Part Number</i>	<i>Qty.</i>	<i>Description</i>
2	121-8868	1	Fuse-Mini Blade, 20 Amp
3	126-3991	1	Relay-Micro
4	32180-176	1	Cover-Block, Fuse
5	32180-177	1	Clip-Mounting
6	116-0053	1	Cap-Plug

<i>Ref.</i>	<i>Part Number</i>	<i>Qty.</i>	<i>Description</i>
7	103-3895	1	Diode
8	126-8876	1	Insulator-Battery
9	1-543393	1	Insulator-Solenoid
10	121-8867	1	Fuse-Mini Blade, 15 Amp

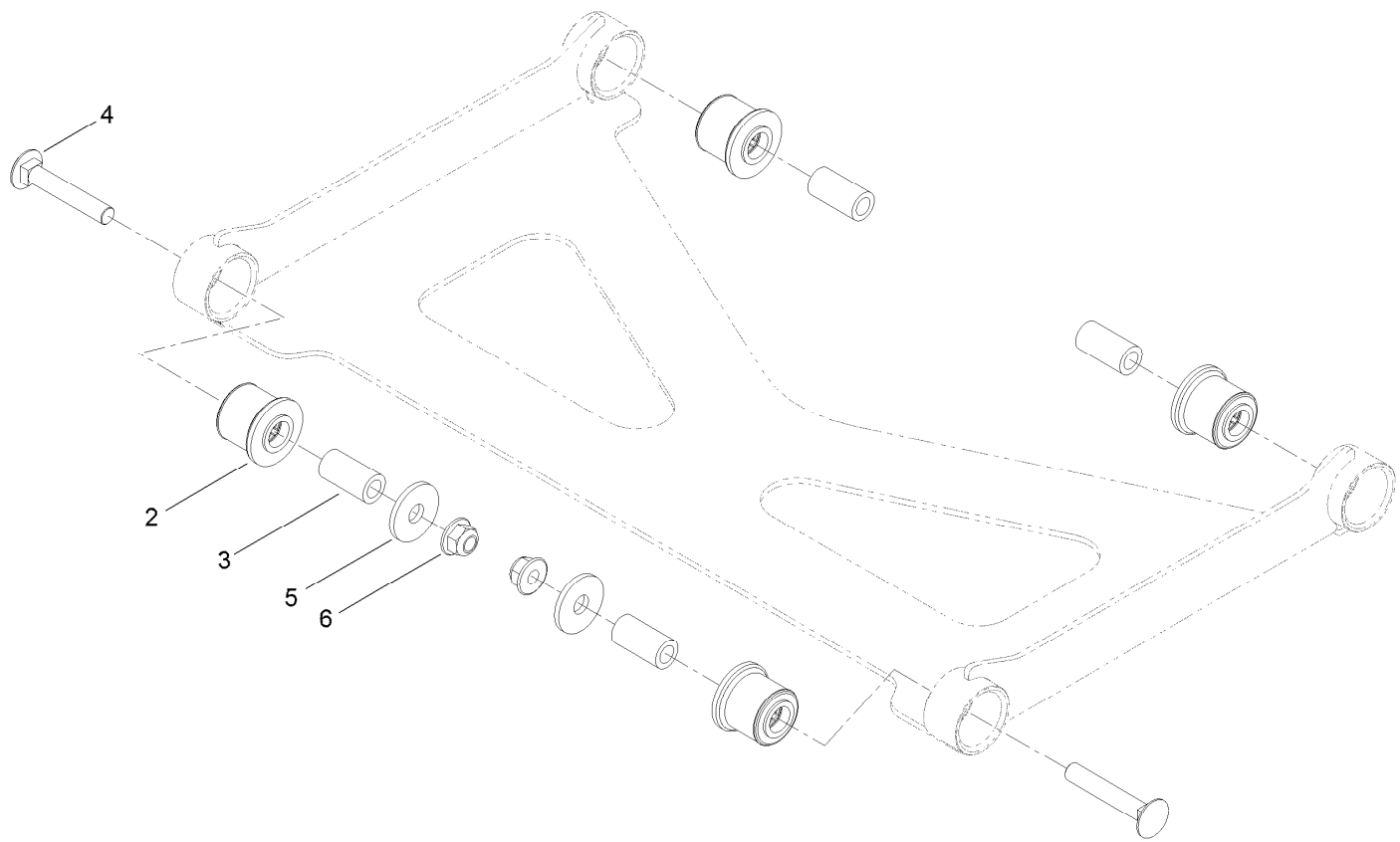
Deck Lift Assembly



Deck Lift Assembly (continued)

<i>Ref.</i>	<i>Part Number</i>	<i>Qty.</i>	<i>Description</i>	<i>Ref.</i>	<i>Part Number</i>	<i>Qty.</i>	<i>Description</i>
1	126-3342-03	1	Shaft-Lift, Deck	12:3	104-8301	2	Nut-HF, NI
2	126-3343-03	1	Shaft-Lift, Deck (Rear)	12:4	43-0940	2	Spacer
3	115-5065	4	Bushing-Flange	13	1-373034	2	Washer
4	116-2887	4	Gusset-Lift, Deck	18	126-8365	1	Deck Strut ASM
5	3230-22	8	Screw-CARR	19	3231-7	2	Screw-CARR
6	104-8300	8	Nut-HF, NI	20	126-4639-03	1	Link-HOC
7	126-9181	2	Pin-Clevis	21	126-5221	1	Spacer-Stepped
8	95-4064	2	Clip-Pin	22	3231-42	1	Screw-CARR
9	126-4535	1	Bracket ASM	23	135-0313	1	Screw-CARR
9:1	126-4784	1	Decal-HOC	24	126-5222	1	Plate-Lock, Transport
10	126-4640-03	1	Angle-HOC, Lower	25	126-5593	1	Grommet
11	109-6658	4	Nut-Flange, NI	26	126-5223	1	Rod-Lock, Transport
12	126-8877	4	Deck Chain ASM	27	3218-1	1	Nut-Jam
12:1	1-633447	1	Chain-Lift, Deck	30	126-5401	1	Pin-HOC
12:2	130-0742	2	Bolt-Shoulder	31	126-7019	1	Knob

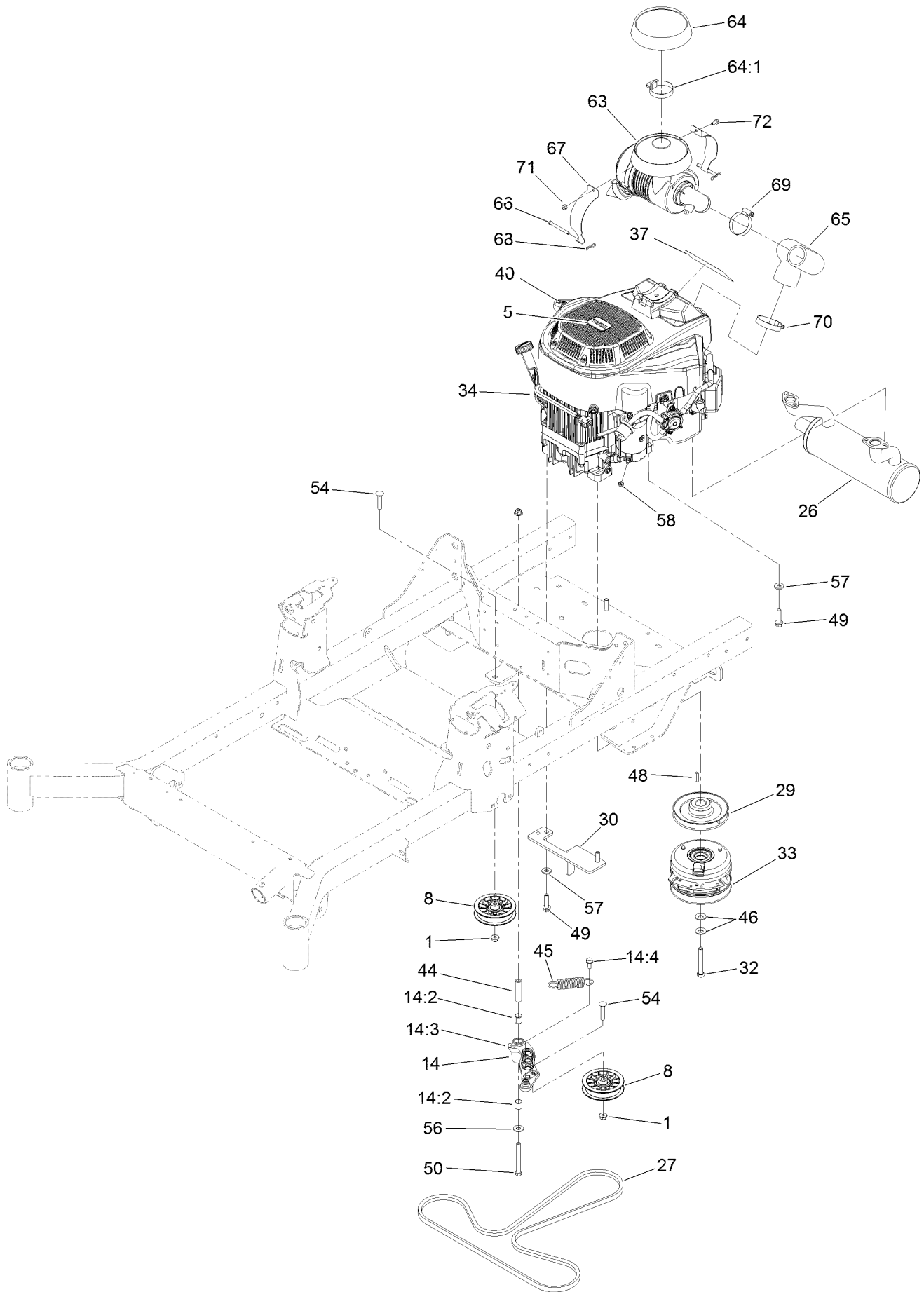
Deck Strut Assembly No. 126-8365



Deck Strut Assembly No. 126-8365 (continued)

<i>Ref.</i>	<i>Part Number</i>	<i>Qty.</i>	<i>Description</i>	<i>Ref.</i>	<i>Part Number</i>	<i>Qty.</i>	<i>Description</i>
2	126-8360	4	Bushing-Rubber, Suspension	4	3231-7	2	Screw-CARR
3	108-6544	4	Spacer	5	2844	2	Washer
				6	104-8301	2	Nut-HF, NI

Engine Assembly

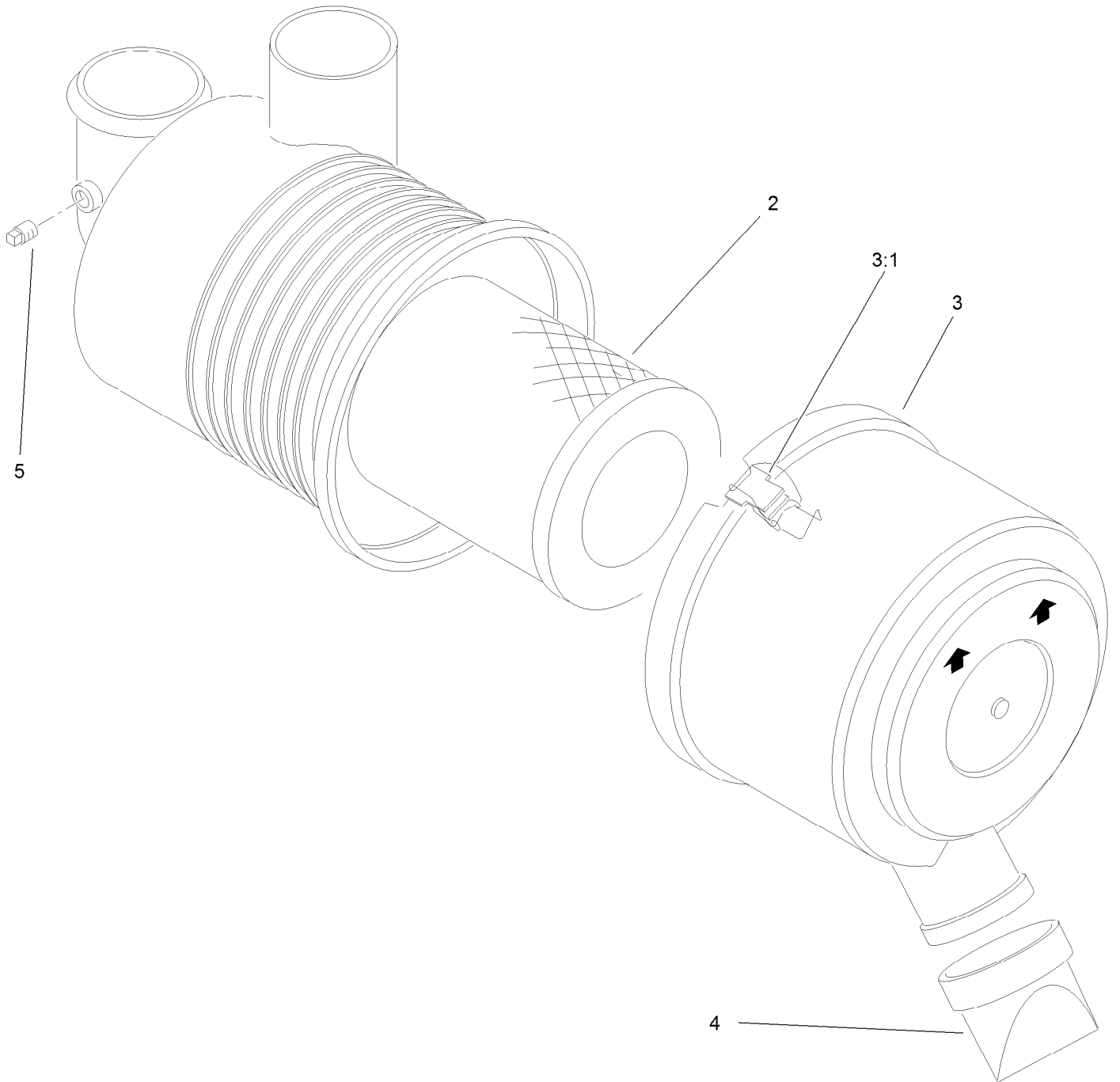


Engine Assembly (continued)

<i>Ref.</i>	<i>Part Number</i>	<i>Qty.</i>	<i>Description</i>	<i>Ref.</i>	<i>Part Number</i>	<i>Qty.</i>	<i>Description</i>
1	104-8301	3	Nut-HF, NI	48	1-807259	1	Key
5	110-1136	1	Decal	49	32144-102	4	Screw-HWH
8	116-2456	2	Pulley-Flat Idler	50	323-15	1	Screw-HH
14	126-0973	1	Idler Arm ASM	54	3231-29	2	Screw-CARR
14:2	1-513034	2	Sleeve-Bearing	56	3256-4	1	Washer-Flat
14:3	302-40	1	Fitting-Grease, 90 DEG	57	98-5975	4	Washer-Belleville
14:4	32144-11	1	Screw-HWH	58	33003-00	1	Nut-HF
26	126-5864	1	Muffler	63	93-2190	1	Air Cleaner ASM
27	126-5993	1	Belt-V	64	136-7859	1	Rain Cap Kit
29	138-6007	1	Sheave-Engine	64:1	1-643009	1	Clamp-Hose
30	126-6687-03	1	Anchor-Clutch	65	136-9242	1	Hose-Intake
32	126-7198	1	Screw-HH W/Loctite ●	66	137-2011	2	Pin-Clevis
33	127-3410	1	Clutch-PTO	67	136-9243	2	Strap-Canister, Air
34	136-7823	1	Engine-2P77F-HD	68	1-806003	2	Pin-Cotter
37	136-9197	1	Decal-Mount, Canister (Air)	69	1-643009	1	Clamp-Hose
40	131-1097	1	Decal-Drain, Oil	70	2412-130	1	Clamp-Hose
44	1-603384	1	Bushing-Pivot, Idler	71	137-3088	1	Nut-Hex
45	1-603402	1	Spring-Extension	72	137-3041	1	Screw-HH
46	1-603610	2	Washer-Spring				

● Use Pro-Lock, Nut Type (P/N 1-840022, .5ml tube) on threads.

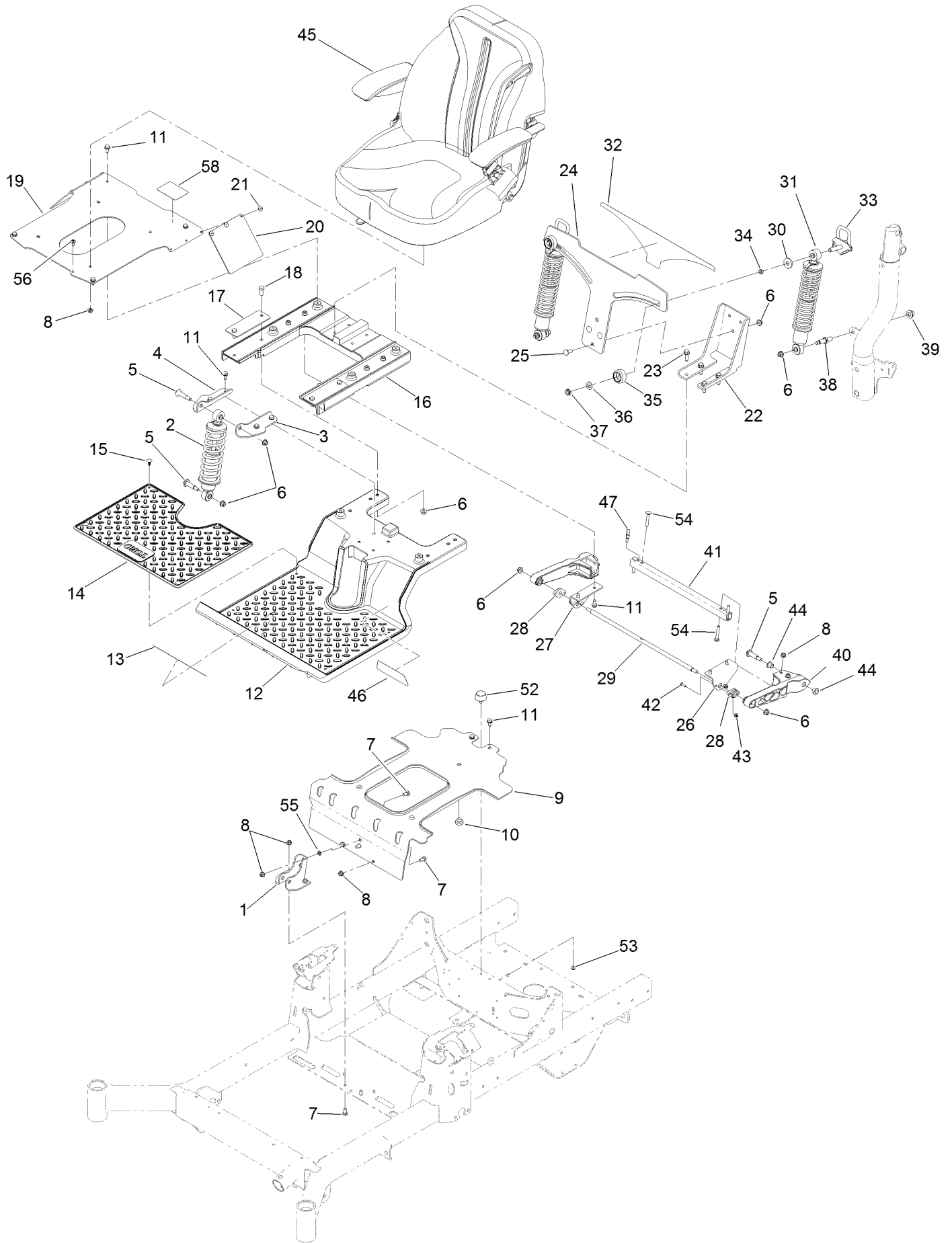
Air Cleaner Assembly No. 93-2190



Air Cleaner Assembly No. 93-2190 (continued)

<i>Ref.</i>	<i>Part Number</i>	<i>Qty.</i>	<i>Description</i>	<i>Ref.</i>	<i>Part Number</i>	<i>Qty.</i>	<i>Description</i>
2	108-3811	1	Filter-Air	4	87-9400	1	Valve-Vacuator
3	94-3652	1	Cover ASM	5	285-17	1	Plug-Pipe
3:1	1-643283	2	Latch-Cleaner, Air				

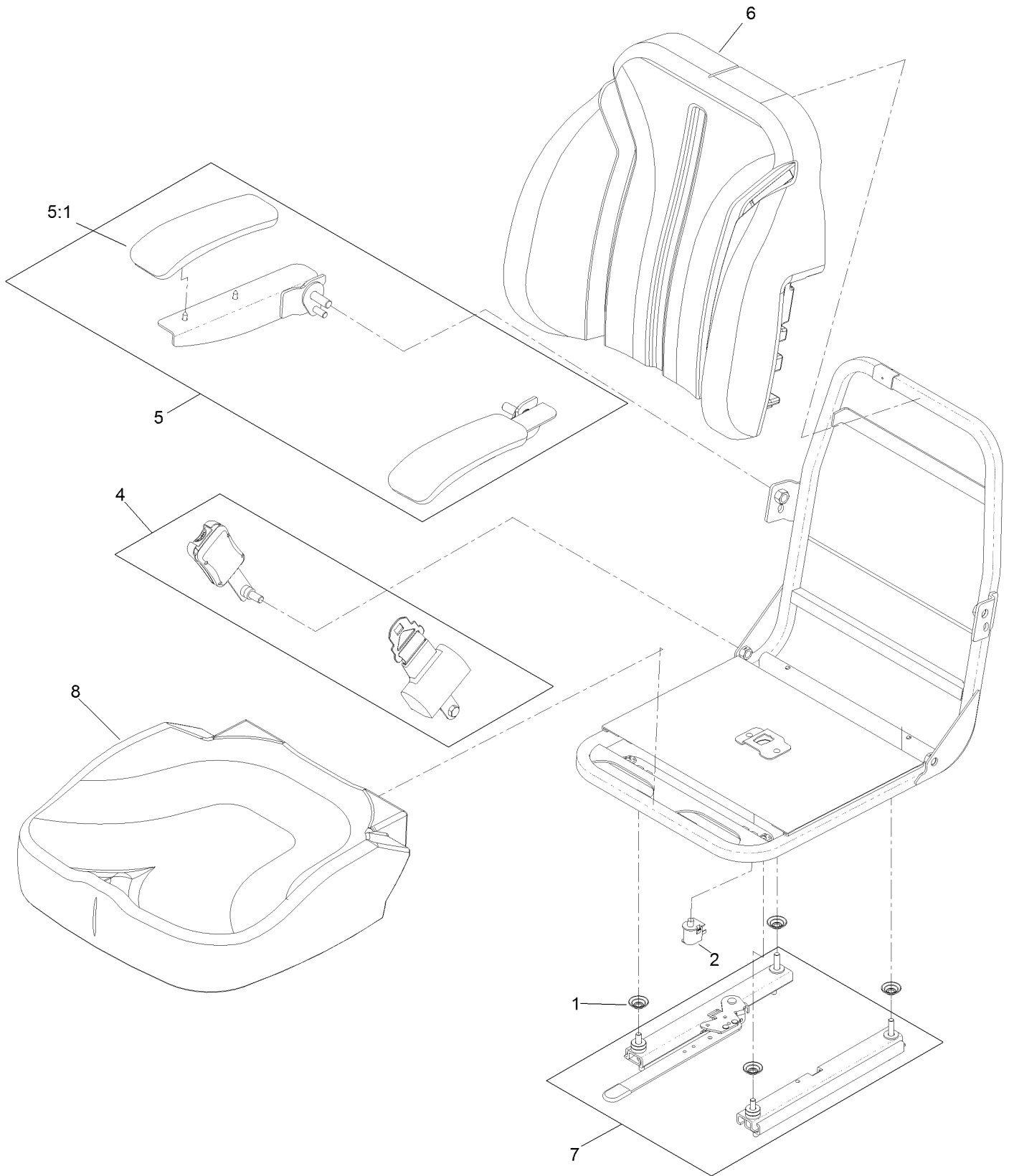
Suspension Platform and Seat Assembly



Suspension Platform and Seat Assembly (continued)

<i>Ref.</i>	<i>Part Number</i>	<i>Qty.</i>	<i>Description</i>	<i>Ref.</i>	<i>Part Number</i>	<i>Qty.</i>	<i>Description</i>
1	133-1864-03	1	Bracket-Shock, Front Lower	27	136-1742-03	1	Bracket-Arm, Trailing (RH)
2	136-8971	1	Shock/Spring	28	127-0146	2	Bearing-Flange
3	133-9318-03	1	Bracket-Shock Mount, Upper (LH)	29	136-1739	1	Rod-Pivot
4	133-9319-03	1	Bracket-Shock Mount, Upper (RH)	30	131-4699	2	Washer-Plastic
5	136-9028	4	Bolt-Shoulder, HWH	31	133-5154	2	Shock/Spring ASM
6	104-8301	13	Nut-HF, NI	32	136-1720	1	Decal-Myride
7	3230-23	6	Bolt-CARR	33	136-5634	2	Cam Lock ASM
8	104-8300	14	Nut-HF, NI	34	133-5109	2	Bearing-Sleeve
9	136-8963-03	1	Bracket-Tank	35	136-5636	2	Knob-Lock, Cam
10	135-0505	3	Bumper-Seat	36	3-6803	2	Washer-Adjusting
11	32144-70	14	Screw-HWHTF	37	3296-45	2	Nut-Hex
12	133-7083-01	1	Subframe-Front	38	133-4401	2	Bolt-Shoulder
13	132-0871	1	Decal-Danger	39	99-5107	2	Nut-Lock
14	133-5190	1	Floormat	40	136-8979	2	Trailing Arm
15	117-2382	4	Plug-Plastic	41	137-9754-03	1	Tube-Arm, Trailing
16	137-7031-01	1	Subframe-Rear	42	3229-20	4	Screw-CARR
17	133-7089-03	2	Plate-Backer	43	120-4578	4	Nut-HF
18	323-6	4	Screw-HH	44	125-5239	4	Bushing-Flange
19	136-8962-03	1	Plate-Seat	45	135-3443	1	Seat ASM
20	136-8967	2	Flap-Rubber	46	136-7470	1	Decal
21	132-5064	6	Rivet-Pop	47	105-1853	1	Clamp-Hose
22	136-8955-03	1	Bracket-Mount, Lower	52	131-8834	1	Bumper
23	32144-109	4	Screw-Thd	53	104-7201	1	Nut-HF, NI
24	136-1744-03	1	Plate-Mounting, Adj Shock	54	3230-6	4	Bolt-CARR
25	3231-22	3	Screw-CARR	55	117-2749	2	Nut-Push
26	136-1741-03	1	Bracket-Arm, Trailing (LH)	56	135-2015	1	Screw-Shoulder
				58	136-9024	1	Decal-Aid, Service

Seat Assembly No. 135-3443

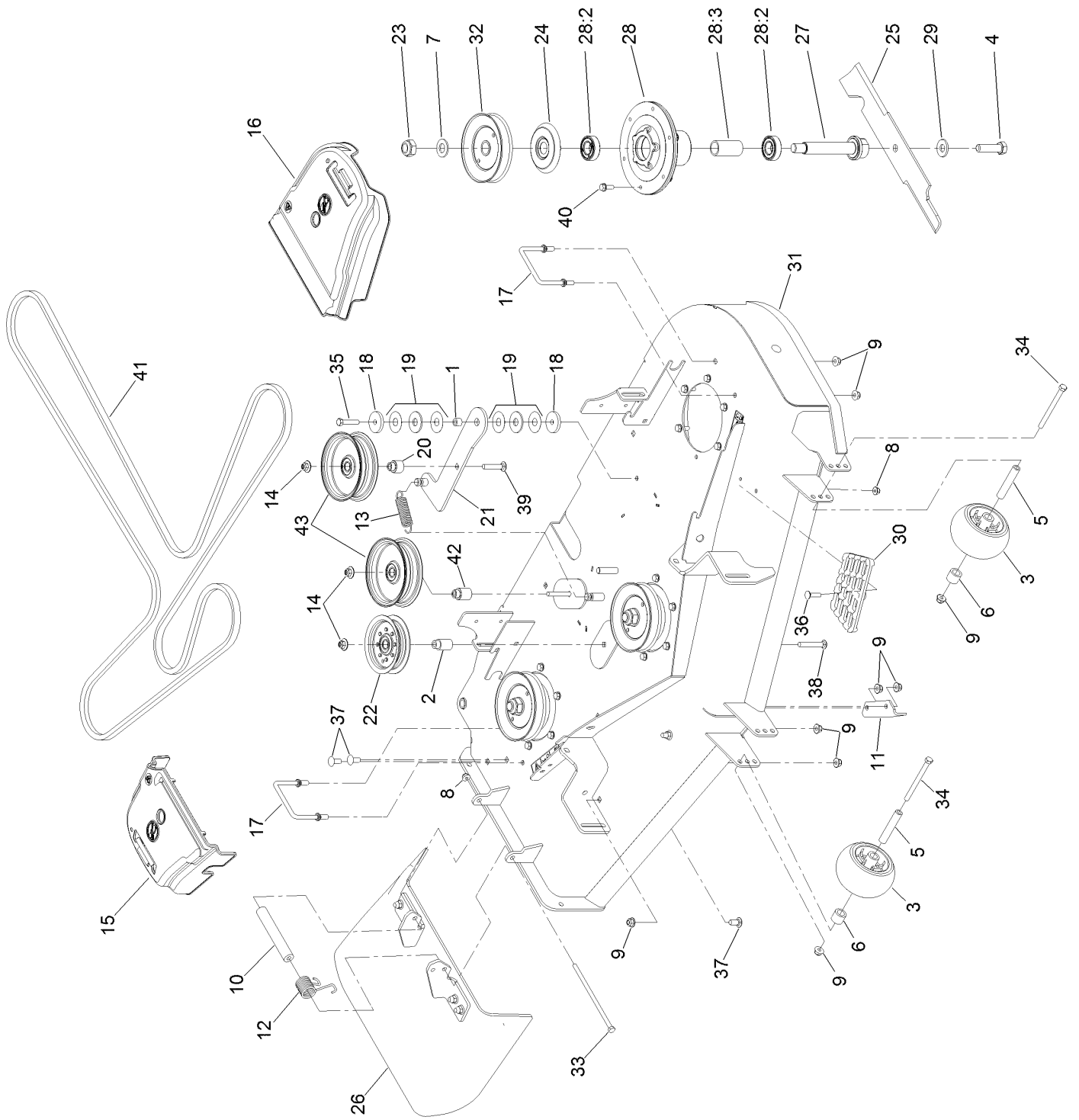


Seat Assembly No. 135-3443 (continued)

<i>Ref.</i>	<i>Part Number</i>	<i>Qty.</i>	<i>Description</i>
1	136-9002	4	Spacer-Mounting
2	82-2190	1	Switch-Bail
4	126-9091	1	Seat Belt Kit
5	126-2058	1	Armrest Kit

<i>Ref.</i>	<i>Part Number</i>	<i>Qty.</i>	<i>Description</i>
5:1	110-4163	2	Cushion-Rest, Arm
6	136-9003	1	Cover-Back, Seat
7	126-2177	1	Track-Seat
8	136-9001	1	Cover-Seat, Bottom

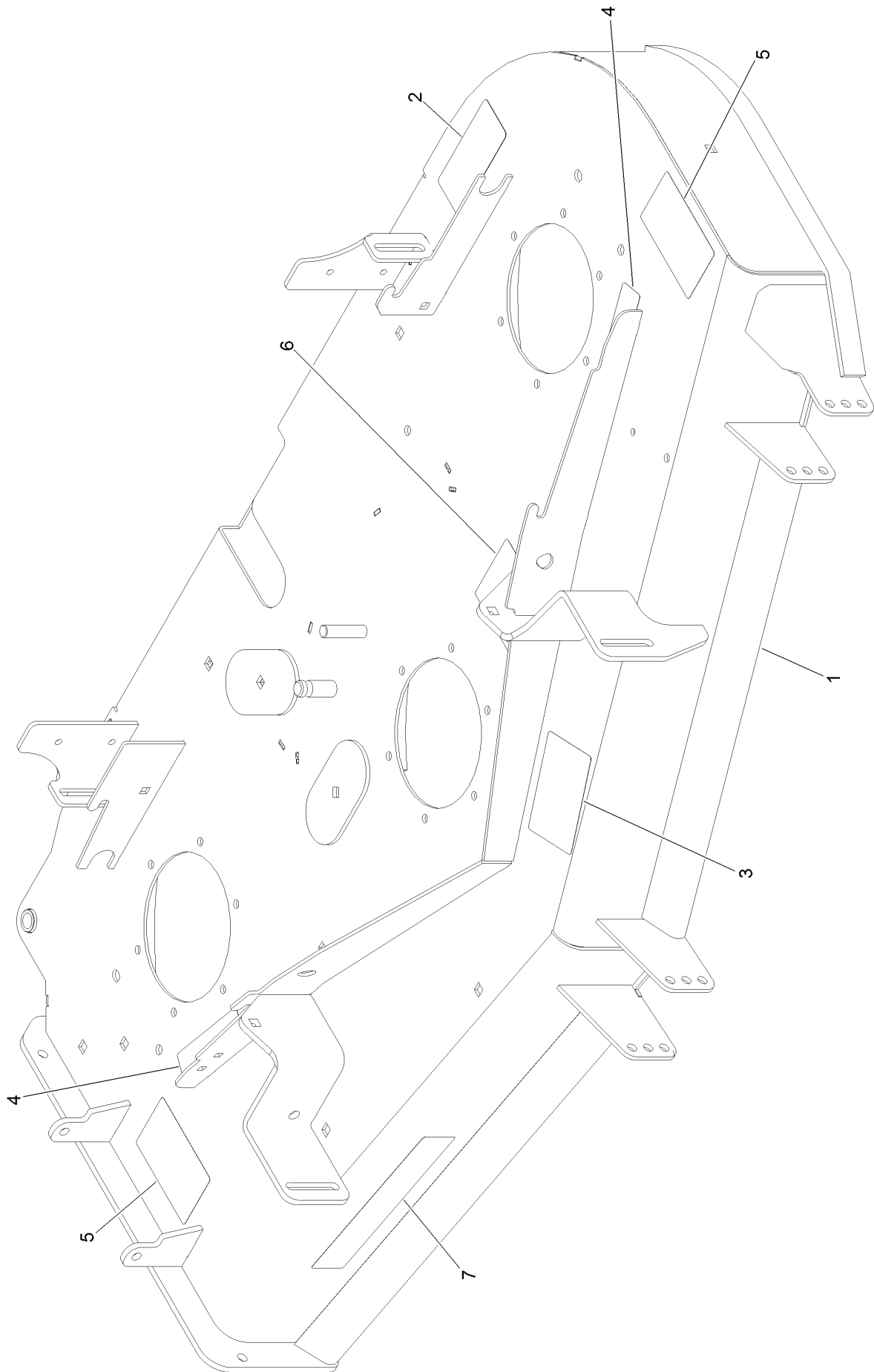
Deck Assembly



Deck Assembly (continued)

<i>Ref.</i>	<i>Part Number</i>	<i>Qty.</i>	<i>Description</i>	<i>Ref.</i>	<i>Part Number</i>	<i>Qty.</i>	<i>Description</i>
1	1-413088	1	Bushing-Lever, Lift	24	117-7210	3	Shield-Bearing
2	1-413113	1	Bushing-Idler	25	133-2134	3	Blade-Rotary, 18.0In (Hi Flow)
3	1-603299	2	Roller-Scalp, Anti	26	120-2451	1	Deflector ASM
4	51-4060	3	Screw-Blade	27	126-7629	3	Shaft-Spindle
5	98-7912	2	Tube-Spanner	28	120-5477	3	Spindle ASM
6	98-7913	2	Tube-Spacer	28:2	116-0720	2	Bearing-Ball
7	92-5836	3	Washer	28:3	115-2641	1	Spacer-Bearing
8	104-8300	2	Nut-HF, NI	29	125-1736	3	Washer-Belleville
9	104-8301	12	Nut-HF, NI	30	126-4781-03	1	Step-Deck
10	105-4622	1	Spacer	31	126-8957	1	Deck Decal ASM
11	107-8541-01	1	Baffle-Discharge	32	126-6612	3	Pulley
12	108-4052	1	Spring-Torsion	33	322-50	1	Screw-HH
13	139-3616	1	Spring - Extension	34	323-23	2	Screw-HH
14	109-6658	4	Nut-Flange, NI	35	323-9	1	Screw-HH
15	109-6935	1	Cover-Belt, RH	36	3230-3	1	Screw-CARR
16	109-6936	1	Cover-Belt, LH	37	3231-27	6	Screw-CARR
17	109-6982	2	Wireform-Cover	38	3231-31	2	Screw-CARR
18	110-9981	2	Washer-Plain	39	3231-6	1	Screw-CARR
19	114-0463	2	Washer-Friction, Composite	40	32144-41	18	Screw-Taptite
20	126-7684	1	Bushing-Idler	41	126-7732	1	Belt-Drive, Deck
21	115-5054	1	Arm-Idler	42	126-7683	1	Bushing-Idler
22	116-3626	1	Pulley-Idler	43	116-4669	2	Idler-Pulley, Flat
23	3296-67	3	Nut-Lock, NI				

Deck Decal Assembly No. 126-8957

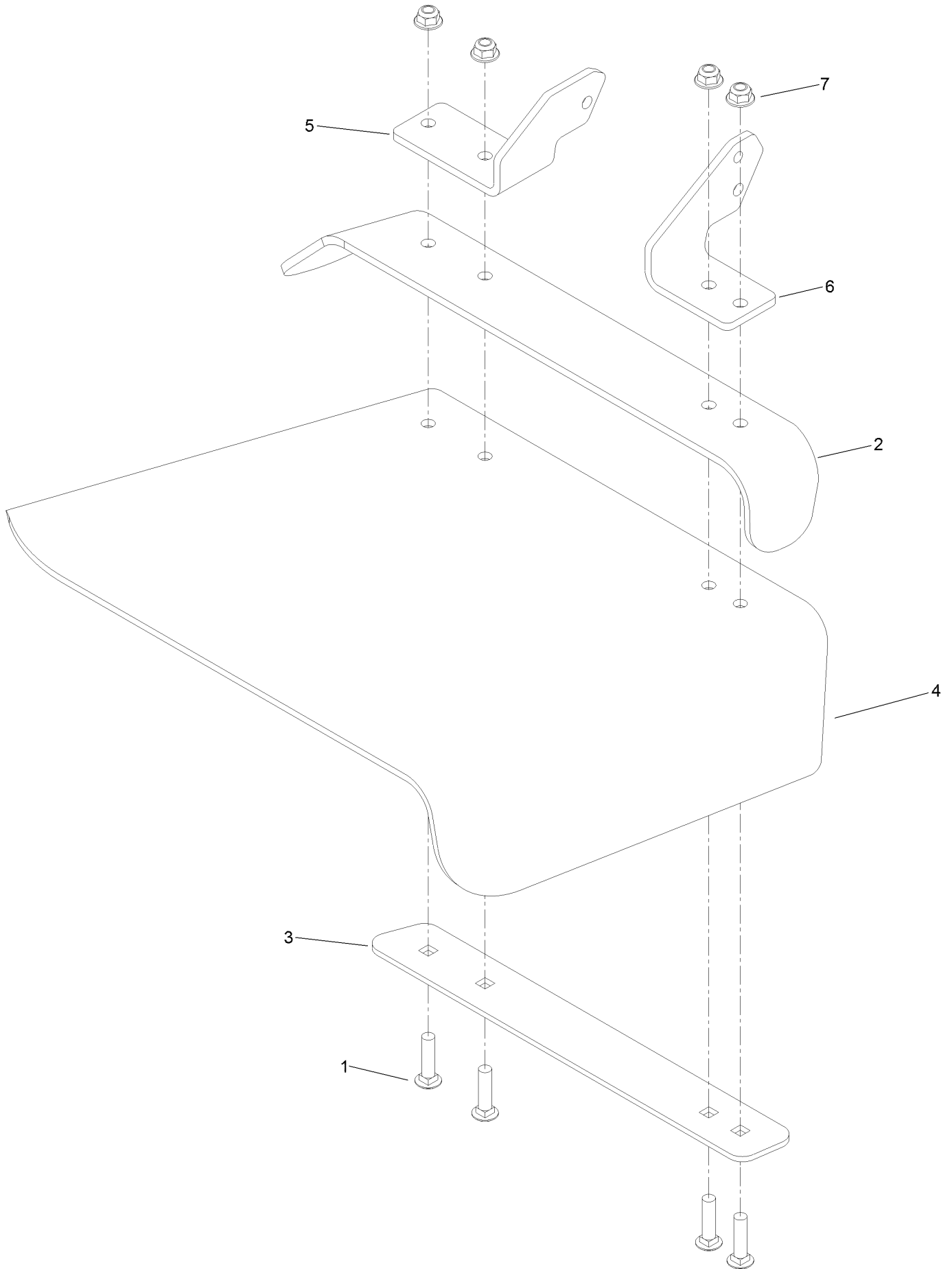


Deck Decal Assembly No. 126-8957 (continued)

<i>Ref.</i>	<i>Part Number</i>	<i>Qty.</i>	<i>Description</i>	<i>Ref.</i>	<i>Part Number</i>	<i>Qty.</i>	<i>Description</i>
1		1	Deck Decal ASM ●	5	117-3848	2	Decal-Danger
2	93-7818	1	Decal-Torque, Blade Bolt	6	117-1194	1	Decal-Routing, Belt
3	112-3858	1	Decal-Scalp, Anti	7	121-3205	1	Decal
4	112-9028	2	Decal-Cover, Missing				

● Not serviced separately

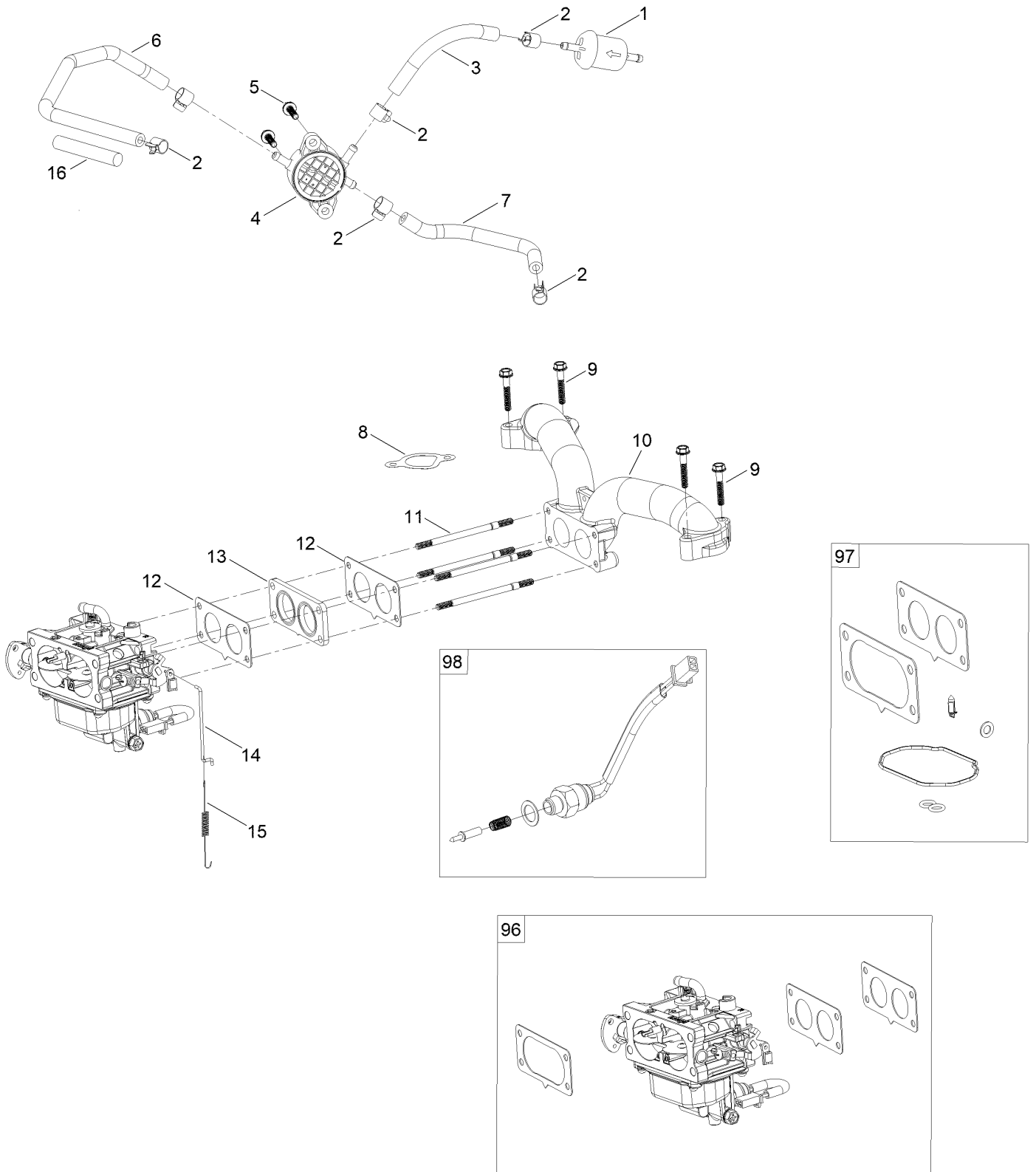
Deflector Assembly No. 120-2451



Deflector Assembly No. 120-2451 (continued)

<i>Ref.</i>	<i>Part Number</i>	<i>Qty.</i>	<i>Description</i>	<i>Ref.</i>	<i>Part Number</i>	<i>Qty.</i>	<i>Description</i>
1	3231-4	4	Screw-CARR	5	108-4059-01	1	Plate-Hinge, Rear
2	106-3246-01	1	Deflector	6	106-3253-01	1	Plate-Hinge, Front
3	106-3248-03	1	Strap-Discharge	7	104-8301	4	Nut-HF, NI
4	110-0759	1	Deflector-Rubber				

Fuel System Assembly

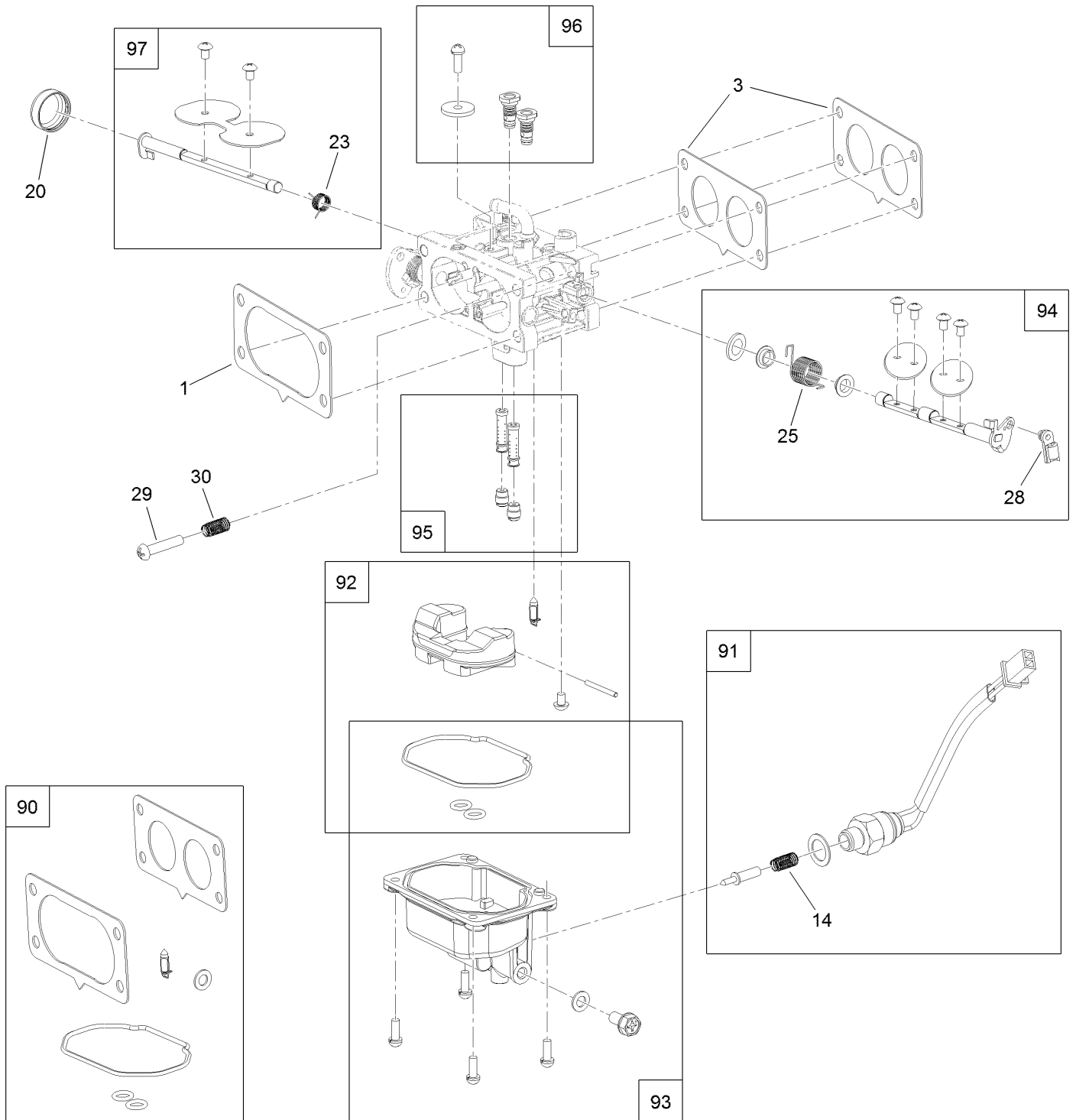


Fuel System Assembly (continued)

<i>Ref.</i>	<i>Part Number</i>	<i>Qty.</i>	<i>Description</i>	<i>Ref.</i>	<i>Part Number</i>	<i>Qty.</i>	<i>Description</i>
1	139-0717	1	Filter-Fuel	12	127-9246	2	Gasket-Carburetor
2	139-0719	6	Clamp-Fuel Hose	13	127-9247	1	Insulator-Carburetor
3	120-4371	1	Hose-Fuel	14	133-9963	1	Linkage-Throttle
4	139-0684	1	Pump-Fuel	15	133-9964	1	Spring-Return, Throttle
5	120-4225	2	Screw-HHF	16	127-9355	1	Sleeve-Fuel Line Protector
6	127-9205	1	Hose-Fuel	96	136-7842	1	Carburetor Replacement Kit ASM
7	127-9207	1	Hose-Fuel	97	127-9290	1	Carburetor Repair Kit
8	127-9230	2	Gasket-Intake	98	127-9292	1	Solenoid Kit
9	120-4284	4	Screw-HHF	99	136-7838	1	High Altitude Kit ●
10	127-9244	1	Manifold-Intake				
11	127-9245	4	Stud				

● Not illustrated

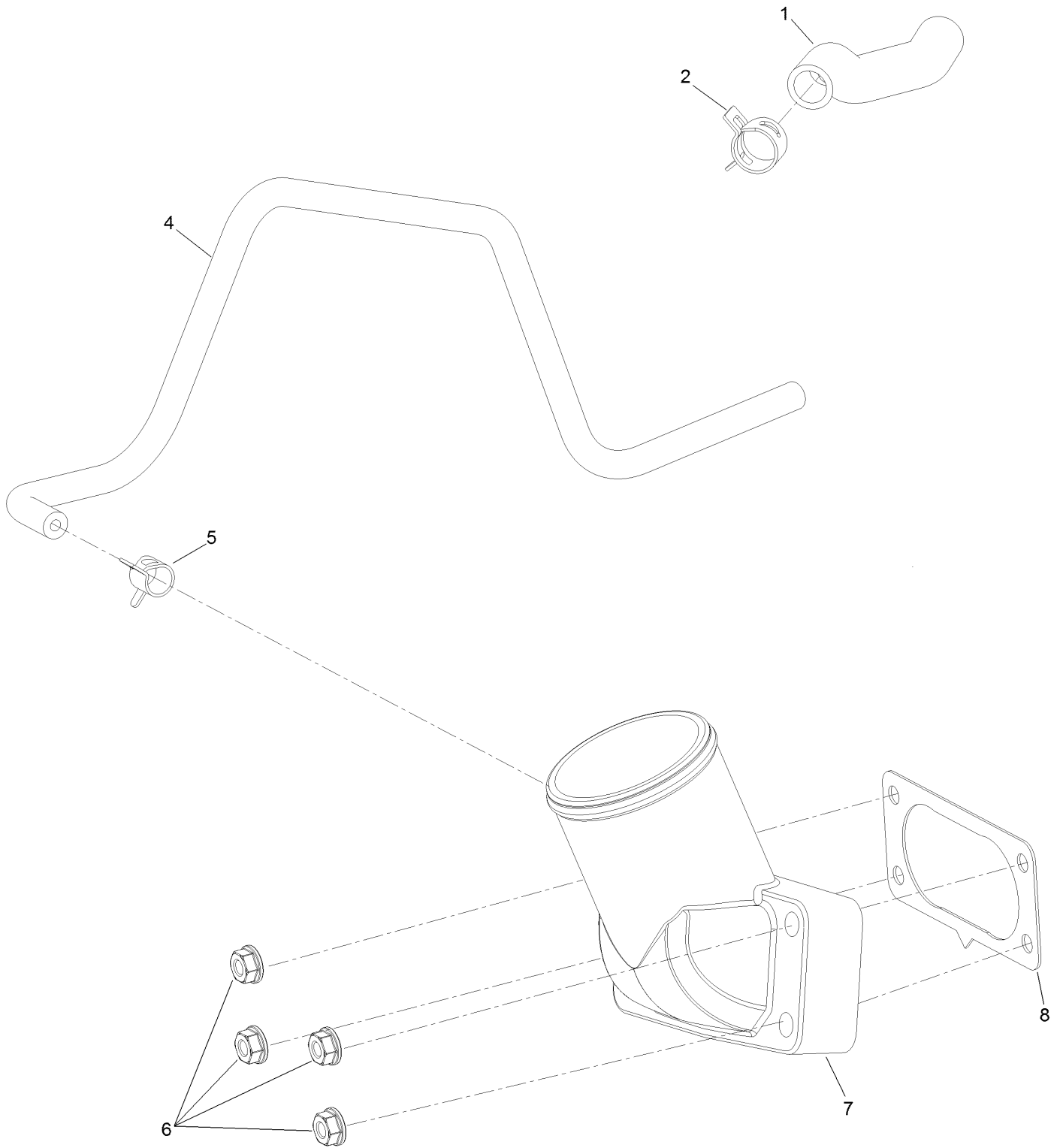
Carburetor Assembly



Carburetor Assembly (continued)

<i>Ref.</i>	<i>Part Number</i>	<i>Qty.</i>	<i>Description</i>	<i>Ref.</i>	<i>Part Number</i>	<i>Qty.</i>	<i>Description</i>
1	127-9251	1	Gasket-Carburetor	90	127-9290	1	Carburetor Repair Kit
3	127-9246	2	Gasket-Carburetor	91	127-9292	1	Solenoid Kit
14	127-9319	1	Spring	92	127-9340	1	Float Kit
20	127-9325	1	Cover-Shaft, Choke	93	127-9341	1	Bowl Kit
23	127-9328	1	Spring	94	133-9817	1	Throttle Shaft Kit
25	127-9330	1	Spring	95	136-7846	1	Nozzle And Jet Kit
28	127-9333	1	Clamp-Lock	96	136-7899	1	Idle Jet Kit
29	127-9334	1	Screw-PPH	97	127-9345	1	Choke Shaft Kit
30	127-9335	1	Spring				

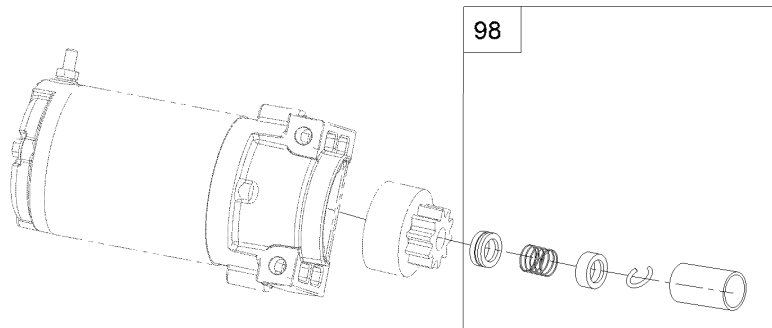
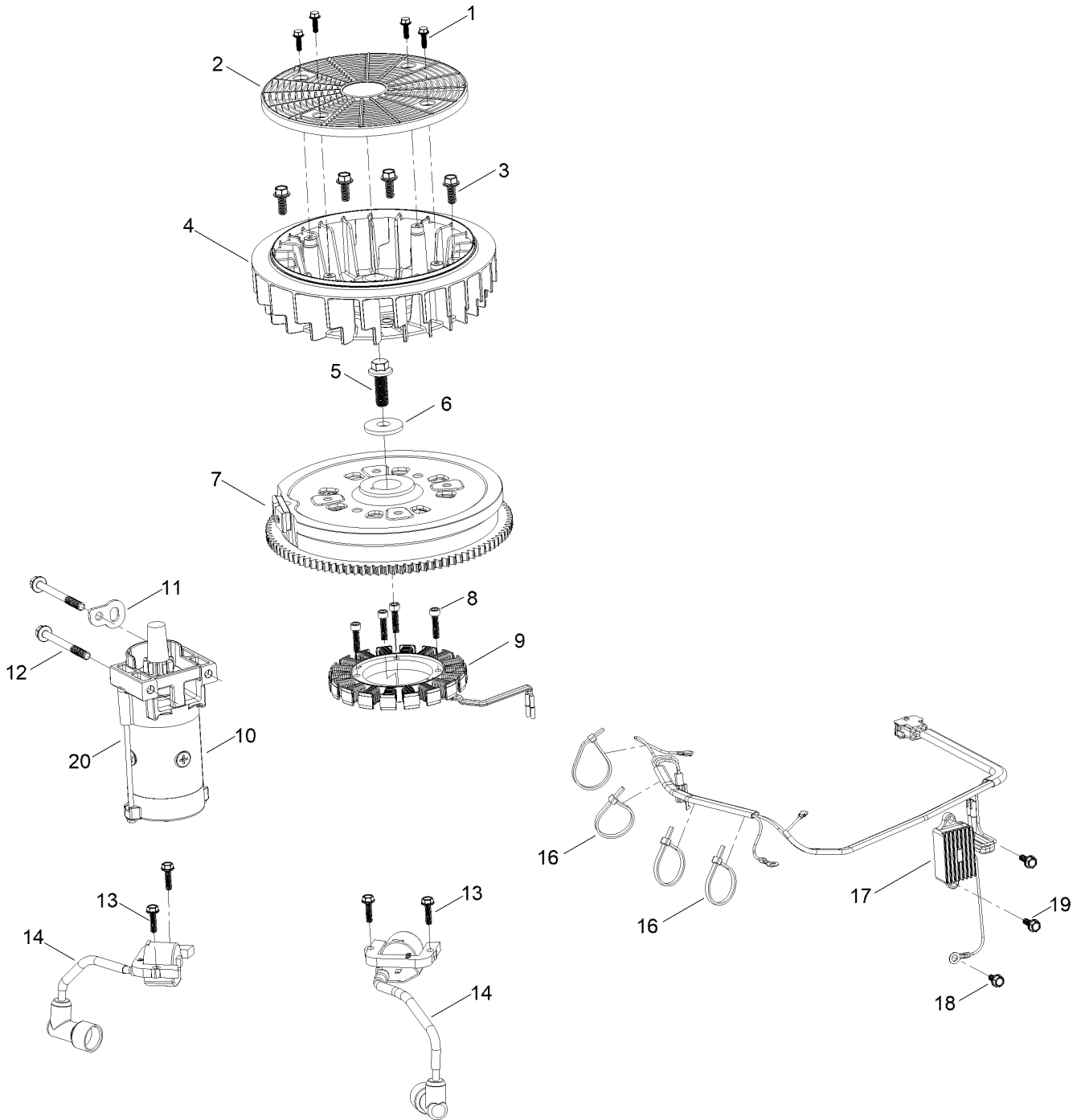
Air Intake and Filtration Assembly



Air Intake and Filtration Assembly (continued)

<i>Ref.</i>	<i>Part Number</i>	<i>Qty.</i>	<i>Description</i>	<i>Ref.</i>	<i>Part Number</i>	<i>Qty.</i>	<i>Description</i>
1	127-9235	1	Tube-Breather	6	120-4236	4	Nut-Flange
2	127-9234	2	Clamp-Hose	7	136-9241	1	Manifold-Intake
4	127-9253	1	Hose-Fuel	8	127-9251	1	Gasket-Carburetor
5	127-9187	1	Clamp-Hose				

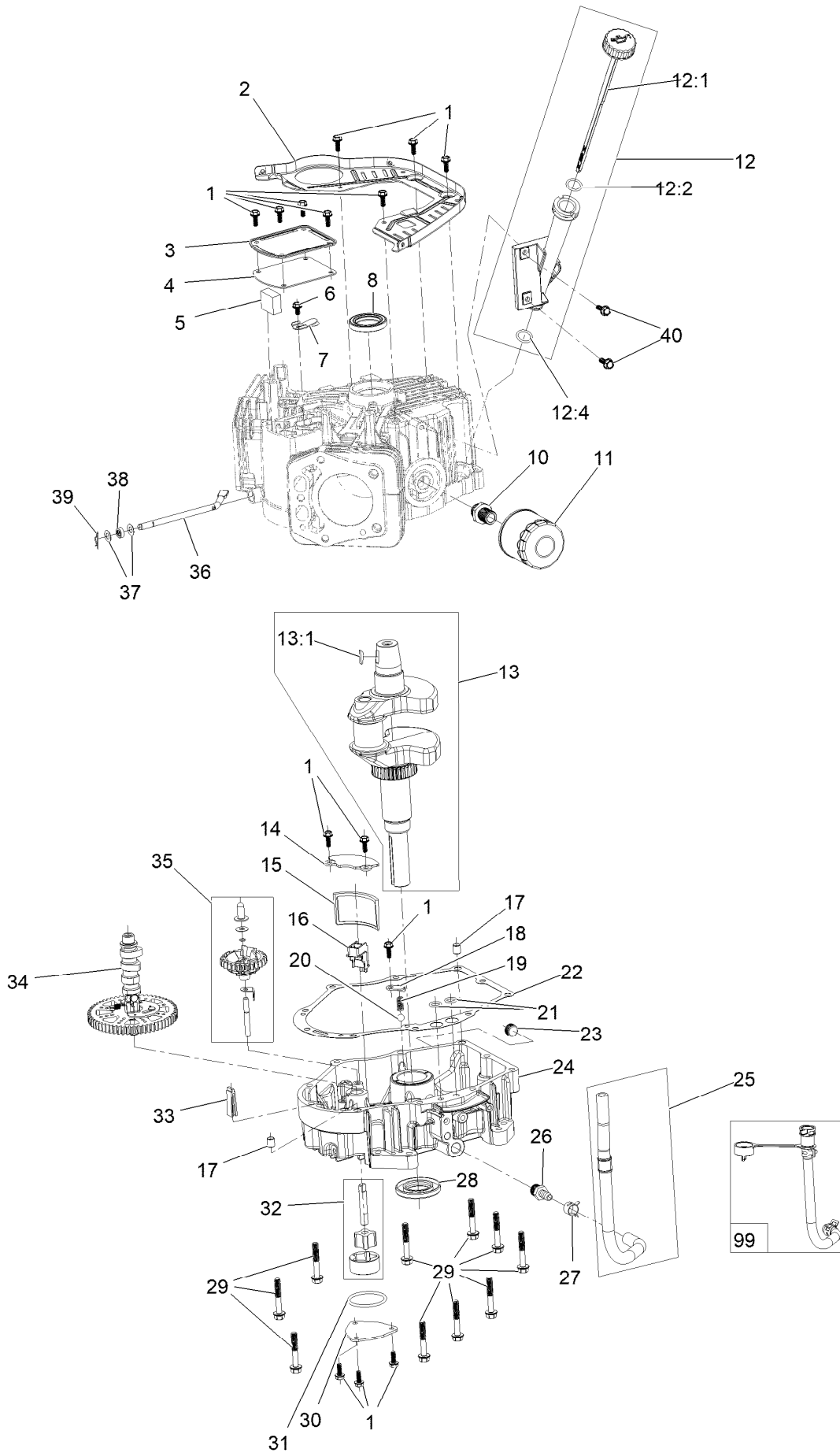
Ignition and Cooling Fan Assembly



Ignition and Cooling Fan Assembly (continued)

<i>Ref.</i>	<i>Part Number</i>	<i>Qty.</i>	<i>Description</i>	<i>Ref.</i>	<i>Part Number</i>	<i>Qty.</i>	<i>Description</i>
1	127-9197	4	Screw-HWH	12	120-4231	2	Screw-HHF
2	127-9198	1	Screen-Rotating	13	121-0007	4	Bolt-Flange
3	127-9199	4	Screw-HWH	14	139-0720	2	Ignition Coil ASM
4	127-9200	1	Fan-Cooling	16	127-9220	4	Tie-Zip
5	127-9201	1	Screw-HWH	17	136-7879	1	Regulator-Voltage, W/Harness
6	127-9202	1	Washer-Spring	18	120-4216	1	Screw-HHF
7	127-9306	1	Flywheel	19	120-4232	2	Screw-HHF
8	127-9210	4	Screw-HSH	20	133-1562	1	Pinion-Starter
9	136-7876	1	Alternator	98	133-1566	1	Starter Repair Kit
10	136-7880	1	Motor-Starter				
11	127-9208	1	Bracket-Lift				

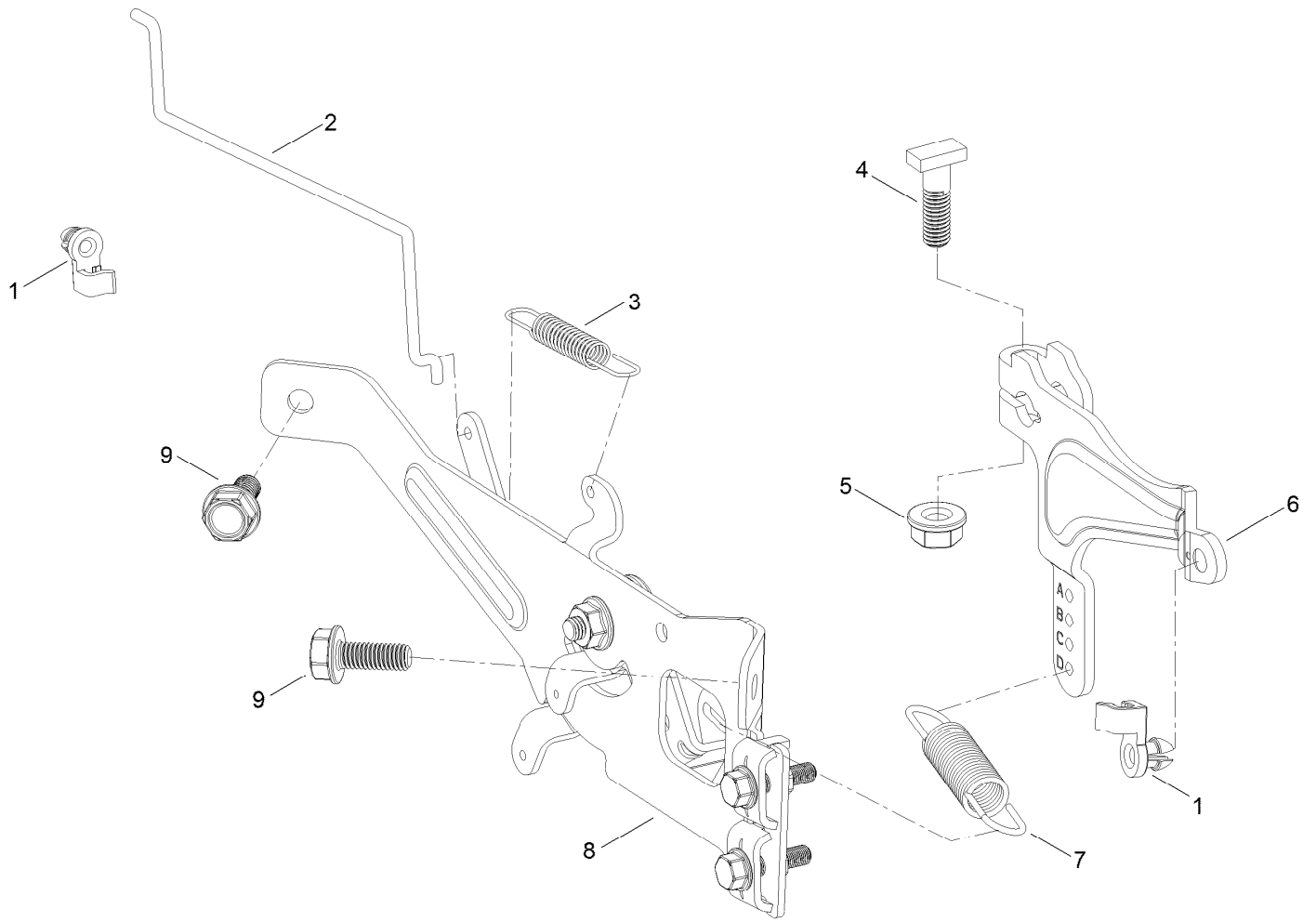
Crankcase and Crankshaft Assembly



Crankcase and Crankshaft Assembly (continued)

<i>Ref.</i>	<i>Part Number</i>	<i>Qty.</i>	<i>Description</i>	<i>Ref.</i>	<i>Part Number</i>	<i>Qty.</i>	<i>Description</i>
1	120-4232	14	Screw-HHF	20	127-9266	1	Valve-Ball
2	127-9212	1	Baffle	21	120-4262	2	O-Ring
3	127-9213	1	Cover-Breather	22	127-9267	1	Gasket-Cover, Crankcase
4	127-9214	1	Gasket-Breather	23	133-9805	1	Plug-Drain
5	127-9215	1	Filter-Breather	24	133-9806	1	Cover-Crankcase
6	120-4216	1	Screw-HHF	25	127-9293	1	Oil Drain Hose ASM
7	127-9217	1	Valve-Breather	26	127-9275	1	Fitting-Hose
8	120-4267	1	Seal-Oil	27	127-9276	1	Clamp-Hose
10	136-7884	1	Adaptor-Filter, Oil	28	127-9271	1	Seal
11	136-7848	1	Filter-Oil	29	121-0473	10	Screw-HHF
12	127-9218	1	Oil Tube ASM	30	127-9274	1	Cover-Oil Pump
12:1	127-9283	1	Dipstick	31	127-9273	1	O-Ring
12:2	127-9284	1	O-Ring	32	127-9272	1	Oil Pump ASM
12:4	127-9286	1	O-Ring	33	120-4275	1	Deflector-Oil, Rubber
13	127-9255	1	Crankshaft	34	133-1568	1	Camshaft
13:1	120-4320	1	Key-Woodruff	35	136-7882	1	Governor ASM
14	127-9261	1	Cover-Screen, Oil	36	127-9238	1	Shaft-Governor
15	127-9262	1	Screen-Oil	37	120-4258	2	Washer-Plain
16	127-9263	1	Retainer-Screen	38	120-4257	1	Seal-Oil
17	120-4274	2	Pin-Dowel	39	120-4256	1	Pin-Hair
18	127-9264	1	Plate-Retainer	40	120-4232	2	Screw-HHF
19	127-9265	1	Spring	99	144-0976	1	Oil Drain Service Kit

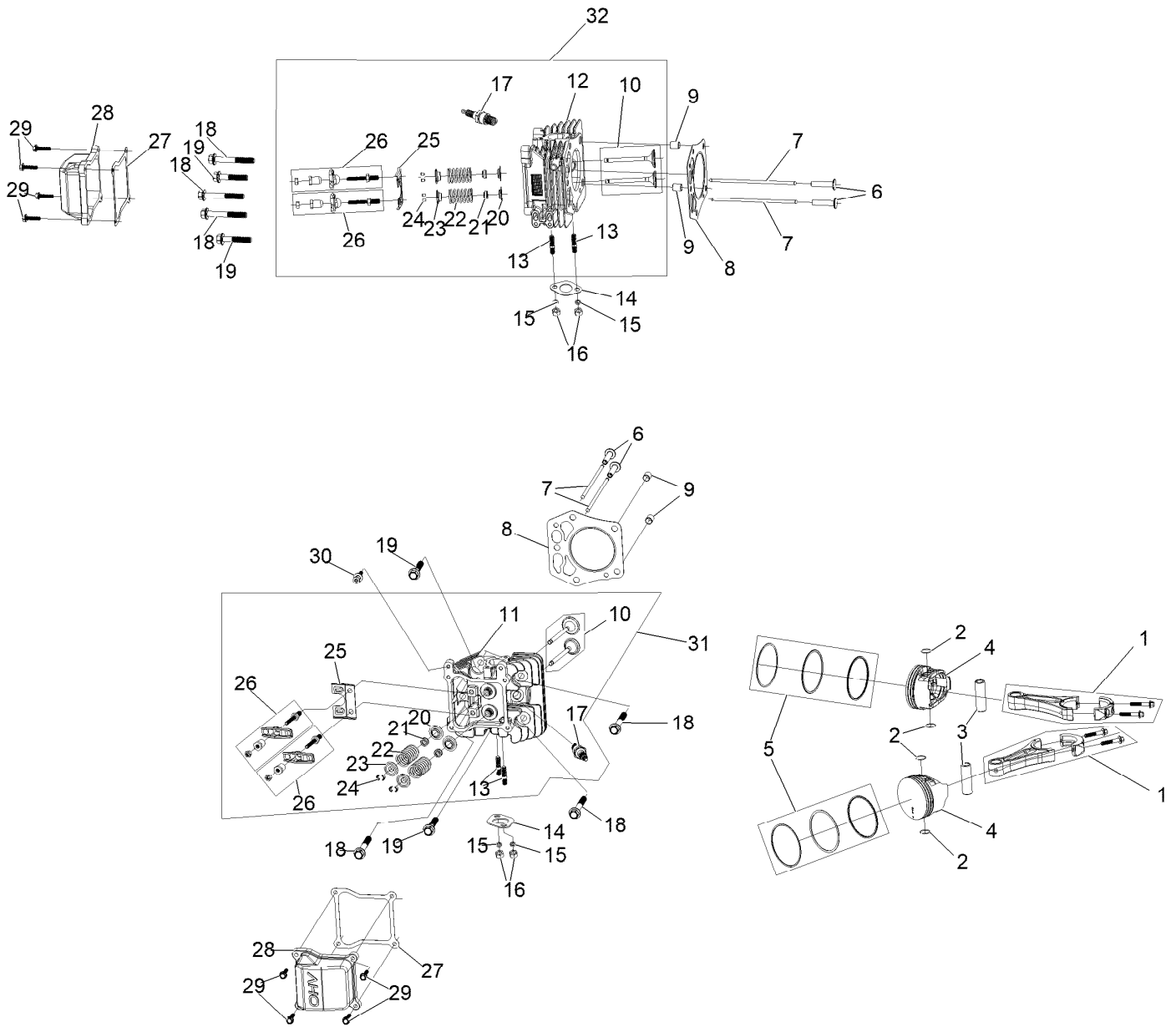
Governor Control Assembly



Governor Control Assembly (continued)

<i>Ref.</i>	<i>Part Number</i>	<i>Qty.</i>	<i>Description</i>	<i>Ref.</i>	<i>Part Number</i>	<i>Qty.</i>	<i>Description</i>
1	127-9250	2	Clip-Linkage	6	133-9961	1	Arm-Governor
2	127-9242	1	Linkage-Choke	7	133-9962	1	Spring-Governor
3	127-9241	1	Spring-Governor	8	133-1570	1	Control Plate ASM
4	120-4238	1	Bolt-Arm, Governor	9	120-4232	2	Screw-HHF
5	120-4236	1	Nut-Flange				

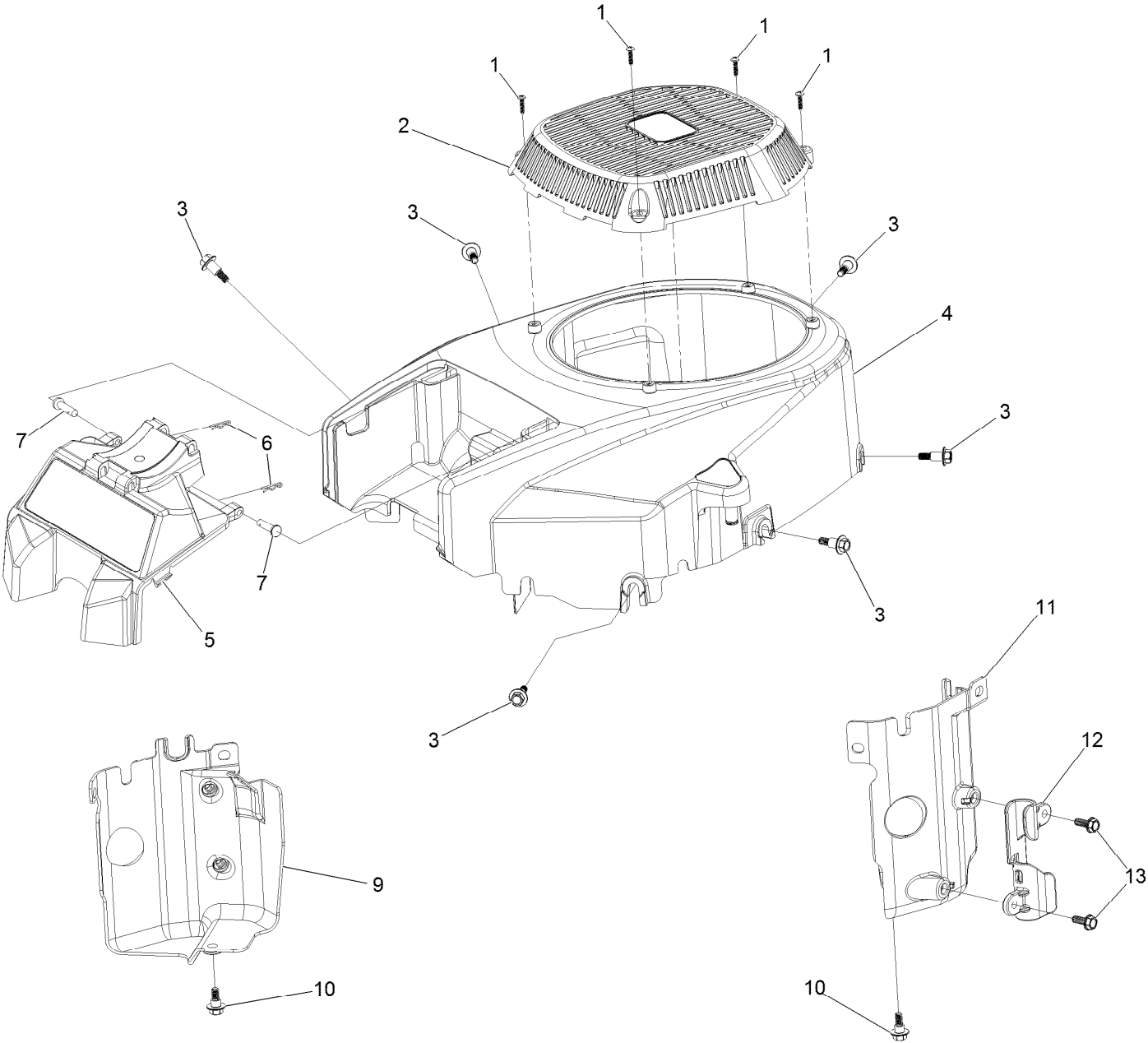
Piston and Cylinder Head Assembly



Piston and Cylinder Head Assembly (continued)

<i>Ref.</i>	<i>Part Number</i>	<i>Qty.</i>	<i>Description</i>	<i>Ref.</i>	<i>Part Number</i>	<i>Qty.</i>	<i>Description</i>
1	127-9256	2	Connecting Rod ASM	17	81-3250	2	Spark Plug
2	127-9258	4	Clip-Pin, Piston	18	127-9231	6	Screw-HWH
3	127-9257	2	Pin-Piston	19	127-9232	4	Screw-HWH
4	127-9259	2	Piston	20	120-4303	4	Seat-Spring, Valve
5	127-9260	2	Piston Ring Set	21	120-4304	4	Seal-Stem, Valve
6	127-9224	4	Lifter-Valve	22	120-4305	4	Spring-Valve
7	127-9225	4	Rod-Push	23	120-4306	4	Retainer-Spring, Valve
8	127-9226	2	Gasket-Head, Cylinder	24	120-4307	8	Keeper-Valve
9	127-9227	4	Pin-Dowel	25	127-9233	2	Plate-Guide, Push Rod
10	127-9228	2	Valve Set	26	136-7881	4	Rocker Arm ASM
11	133-9802	1	Head-Cylinder, Right	27	127-9295	2	Gasket-Valve Cover
12	133-9804	1	Head-Cylinder, Left	28	127-9050	2	Cover-Valve
13	121-0464	4	Stud-Exhaust	29	120-4225	8	Screw-HHF
14	120-4317	2	Gasket-Exhaust	30	120-4214	1	Screw-Shoulder, HH
15	127-9279	4	Washer-Lock, Split	31	136-7891	1	Complete Right Head ASM
16	121-0199	4	Nut-HH	32	136-7892	1	Complete Left Head ASM

Blower Housing Assembly

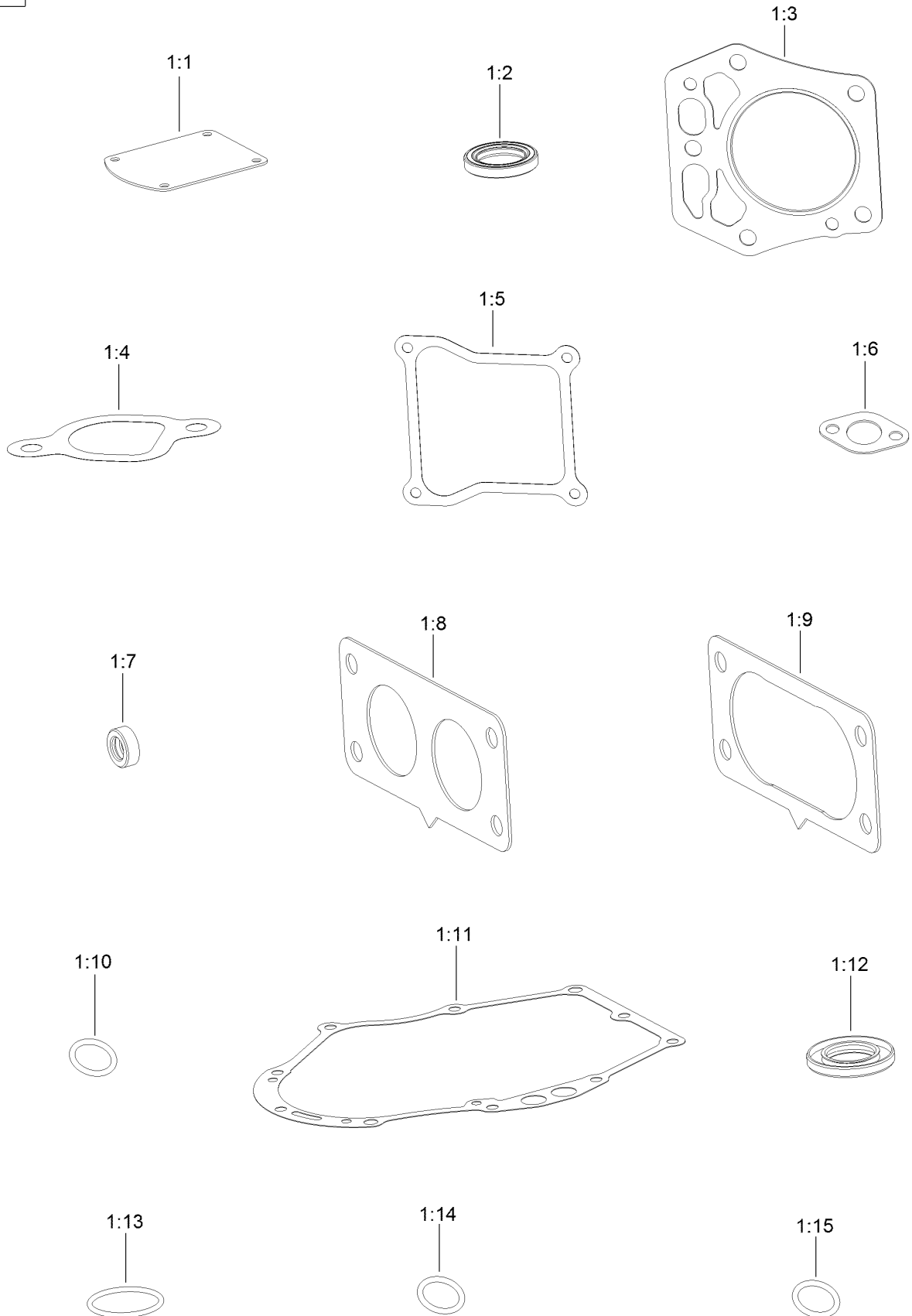


Blower Housing Assembly (continued)

<i>Ref.</i>	<i>Part Number</i>	<i>Qty.</i>	<i>Description</i>	<i>Ref.</i>	<i>Part Number</i>	<i>Qty.</i>	<i>Description</i>
1	133-1571	4	Screw-PPH, Plastic	7	127-9282	2	Pin
2	127-9045	1	Cover-Fan	9	136-7877	1	Baffle-Air, Left
3	127-9196	6	Screw-Shoulder, HWH	10	120-4210	2	Screw-Shoulder, HHF
4	133-1572	1	Shroud-Engine	11	136-7878	1	Baffle-Air, Right
5	136-5585	1	Support-Filter	12	127-9287	1	Cleat-Hose
6	127-9280	2	Pin-Hair	13	120-4232	2	Screw-HHF

Gasket and Seal Kit

1



Gasket and Seal Kit (continued)

<i>Ref.</i>	<i>Part Number</i>	<i>Qty.</i>	<i>Description</i>	<i>Ref.</i>	<i>Part Number</i>	<i>Qty.</i>	<i>Description</i>
1	127-9296	1	Gasket And Seal Kit	1:8	127-9246	2	Gasket-Carburetor
1:1	127-9214	1	Gasket-Breather	1:9	127-9251	1	Gasket-Carburetor
1:2	120-4267	1	Seal-Oil	1:10	120-4262	2	O-Ring
1:3	127-9226	2	Gasket-Head, Cylinder	1:11	127-9267	1	Gasket-Cover, Crankcase
1:4	127-9230	2	Gasket-Intake	1:12	127-9271	1	Seal
1:5	127-9295	2	Gasket-Valve Cover	1:13	127-9273	1	O-Ring
1:6	120-4317	2	Gasket-Exhaust	1:14	127-9284	1	O-Ring
1:7	120-4257	1	Seal-Oil	1:15	127-9286	1	O-Ring

Attachments and Accessories

For 74466 52in TITAN HD 2000 Series Riding Mower

Product Name	Model/Part
Hypr-Oil 500 (quart)	114-4713
Hypr-Oil 500 (gallon).....	114-4714
Hypr-Oil 500-5 (5 gallon).....	114-4715
Toro Hydro Kit	121-3783
LED Light Kit.....	126-5382
Striper Kit.....	126-7882
Sunshade Kit	126-8077
Cover-Hitch.....	126-8299
Trash Container Kit.....	126-8379
Weight Caster Kit.....	126-8639
52in Recycler Kit.....	126-8702
Flat Free Wheel and Bearing Kit	126-9368
Jack Kit.....	127-6666
MVP Belt and Blade Kit.....	127-6794
Hi-Back Seat Cover	133-1308
Blade-Rotary, 18.0in (Hi Flow).....	133-2134
Blade-Rotary, Atomic 18.0	133-2159
Blade-Rotary, Recycling 18.0in.....	133-2162
Blade (6 Pack) 18in Hi Flow	133-2175
Blade (6 Pack) 18in Recycle	133-2178
Blade (6 Pack) 18in Atomic.....	133-2181
5 Gallon Bucket	133-2533
Trimmer Mount Kit	136-1682
ROPS Pin Kit	136-1683
High Altitude Kit	136-7838
Maintenance Kit Toro V-Twin HD Engine	136-7847
Bucket Mount Kit.....	136-9045
Universal Mount Kit Mower	136-9046
Titan HD Triple Threat Attachment Kit.....	136-9047
HD Shock and Spring Kit	137-2042
Extended Control Levers Kit, Dedicated-Bagging Riding Mower.....	138-6020
Toro Deluxe Rider Cover.....	490-7319
Heavy Duty Bagger Kit	78431
52in Completion Kit (Heavy Duty Bagger).....	78434
Standard EZ Vac Bagger	78481
52in Completion Kit (Standard Bagger)	78484

Notes:

Notes:

Notes:



Count on it.