

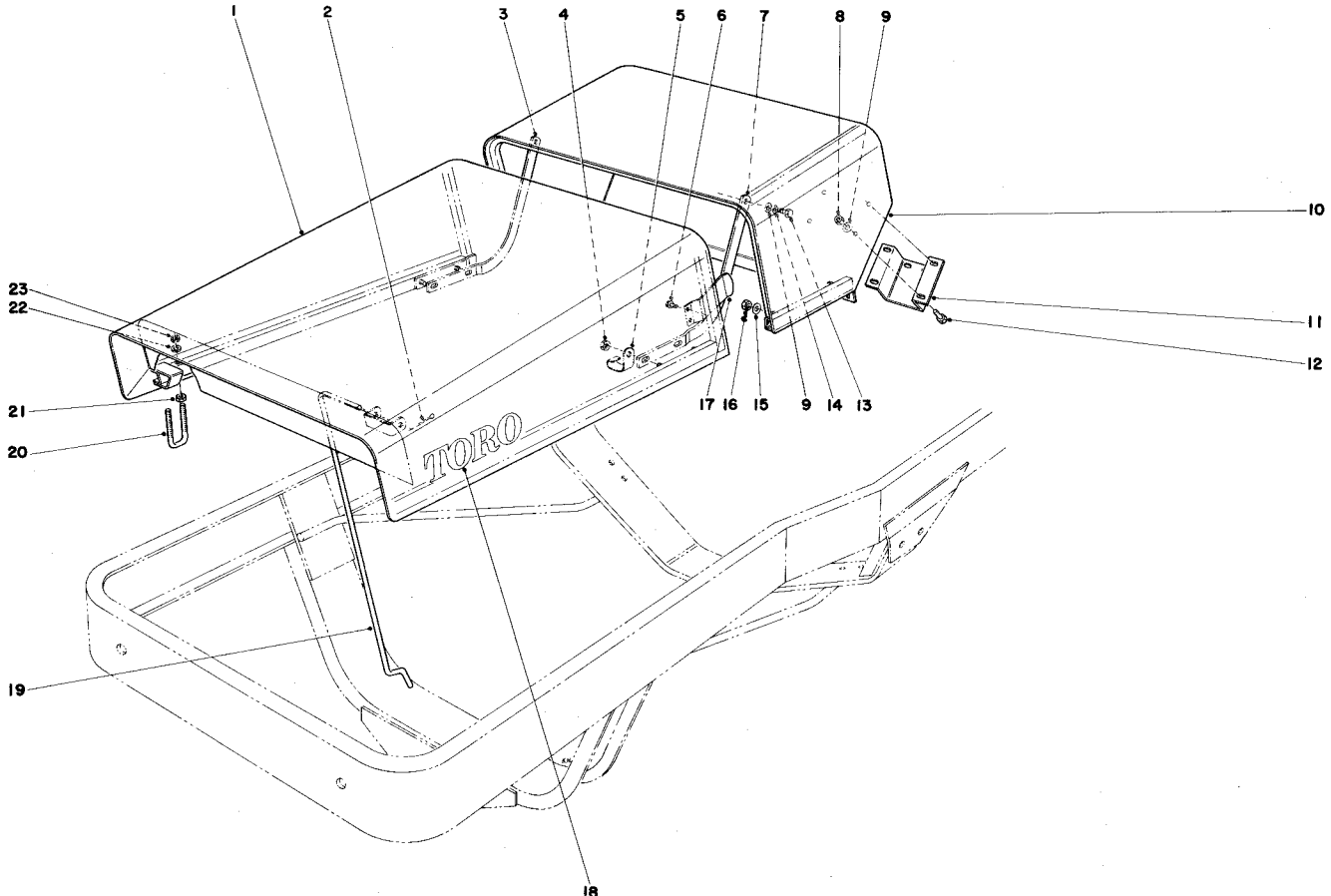


PARKMASTER 7
MODEL NO. 33787 – 10001 & UP

**PARTS
CATALOG**

PARKMASTER 7 (Gasoline)

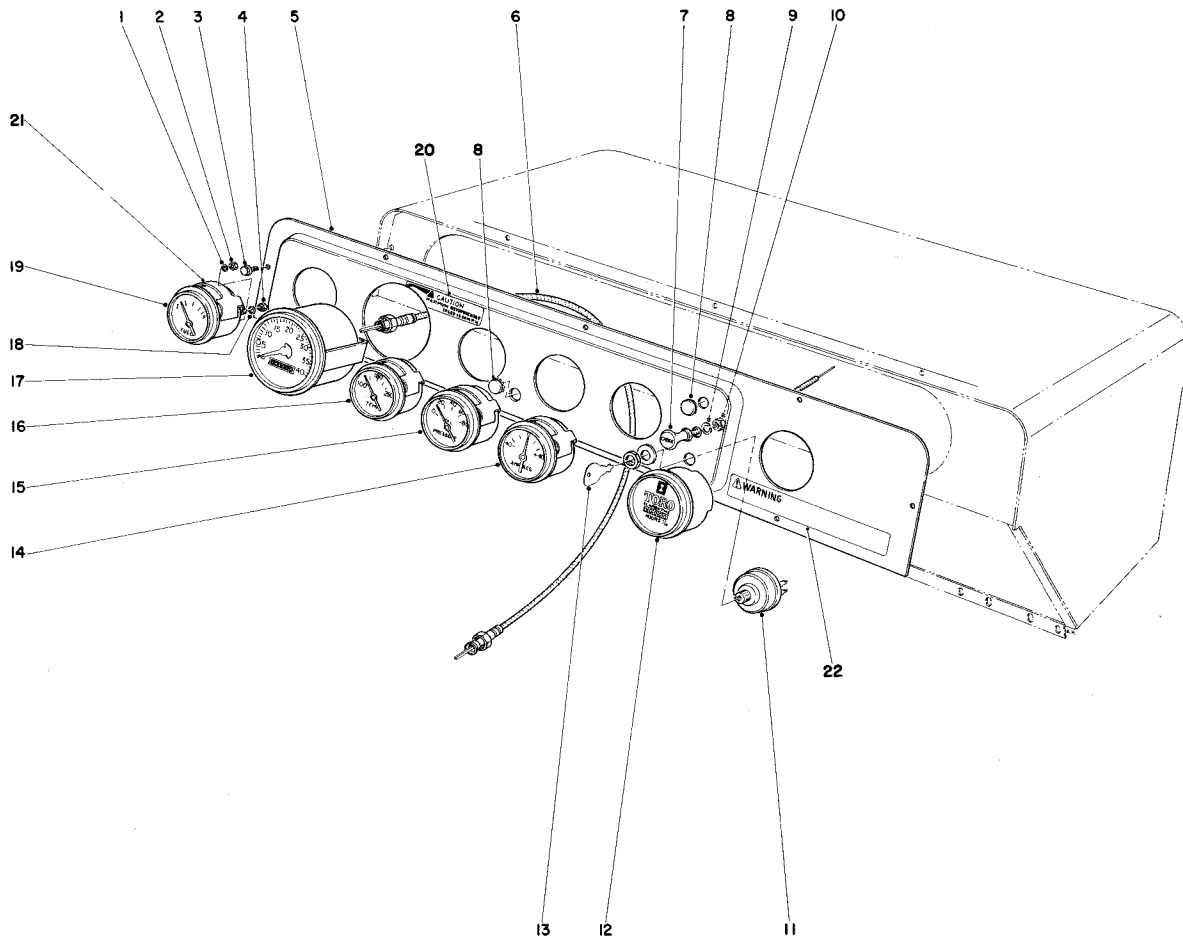
FEB 16 1987



HOOD ASSEMBLY

Ref. No.	Part No.	Description	No. Used
1	18-0630	Hood	1
2	3272-9	Cotter Pin	1
3	18-0760	Pivot Arm R.H.	1
4	32128-29	Lock Nut	4
5	18-1270	Hood Clip	1
6	32140-32	Screw	4
7	18-0750	Pivot Arm L.H.	1
8	32146-5	Lock Nut	4
9	3256-23	Flatwasher	6
10	18-0560	Cowl	1
11	18-0770	Steering Column Support	1
12	322-2	Capscrew	4

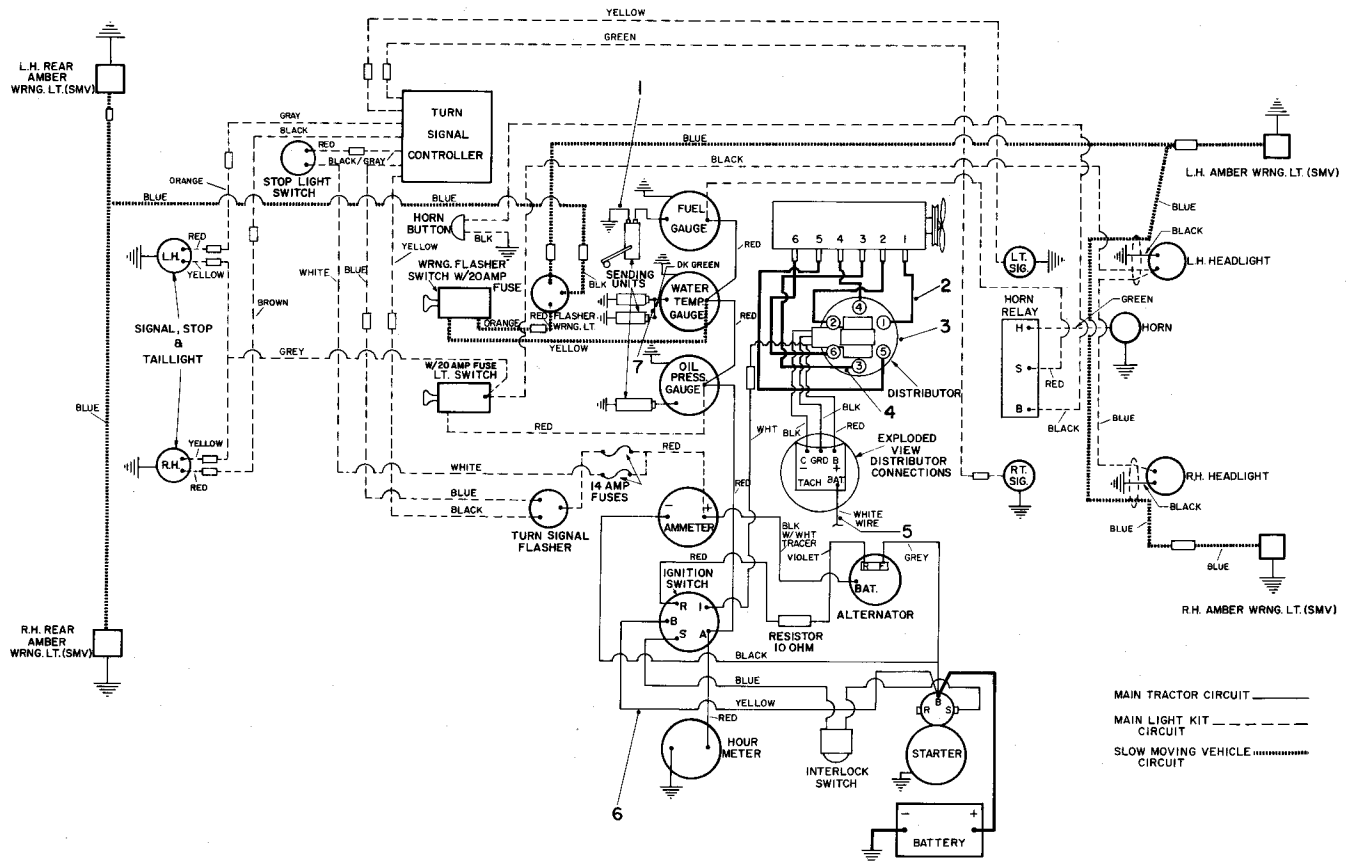
Ref. No.	Part No.	Description	No. Used
13	322-1	Capscrew	2
14	3253-4	Lockwasher	2
15	3256-24	Flatwasher	4
16	32146-2	Lock Nut	4
17	18-3230	Hood Support Spring	2
18	18-2180	Decal – Hood	2
19	18-1280	Hood Prop	1
20	18-1290	U-Bolt	2
21	3218-1	Jam Nut	4
22	3253-3	Lockwasher	4
23	3217-5	Nut	4



DASH ASSEMBLY

Ref. No.	Part No.	Description	No. Used
1	3254-9	Lockwasher	8
2	3217-29	Nut	8
3	32104-77	Self-Tapping Screw	8
4	3219-14	Nut	8
5	18-1390	Instrument Panel	1
6	18-2670	Speedometer Cable	1
7	3-3196	Choke (Incl. Ref. 9 & 10)	1
8	2410-13	Plug Button	2
9	3253-21	Lockwasher	1
10	3220-3	Jam Nut	1
11	12-8140	Ignition Switch	1

Ref. No.	Part No.	Description	No. Used
12	12-9990	Hourmeter	1
13	218-412	Key (2)	1
14	38-1660	Ammeter	1
15	38-1630	Oil Pressure Gauge	1
16	38-1640	Temperature Gauge	1
17	18-2230	Speedometer	1
18	3253-17	Lockwasher	8
19	38-1650	Fuel Gauge (Incl. Ref. #21)	1
20	28-1030	Decal - Caution	1
21		Mounting Bracket	4
22	39-3680	Decal - Warning	1



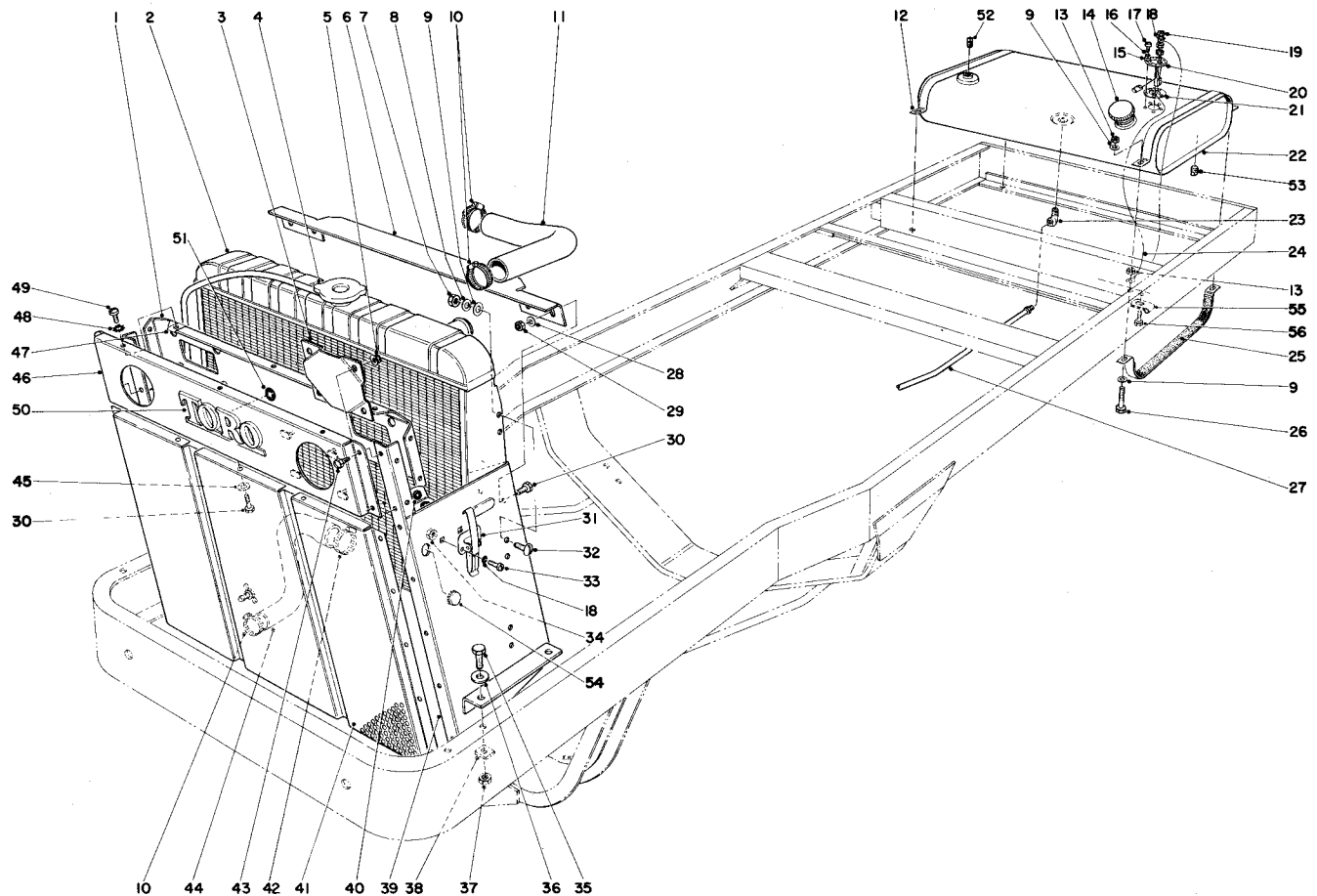
WIRING HARNESS — 12 Volt Negative Ground

Ref. No.	Part No.	Description	No. Used
*1	3-3868	Ground Wire	1
**2	12002085	Spark Plug Wire No. 1 & 2	2
**3	1110717	Distributor	1
**4	891-6642	Spark Plug Wire No. 3-6	1

Ref. No.	Part No.	Description	No. Used
*5	37-4530	Jumper Wire	1
*6	23-7990	Wiring Harness Complete	1
*7	39-7600	Jumper Wire (Temp. Sender to Thermo Switch)	1

*Obtain from your Toro Distributor

**Obtain from your local GM, Chevrolet Dealer.



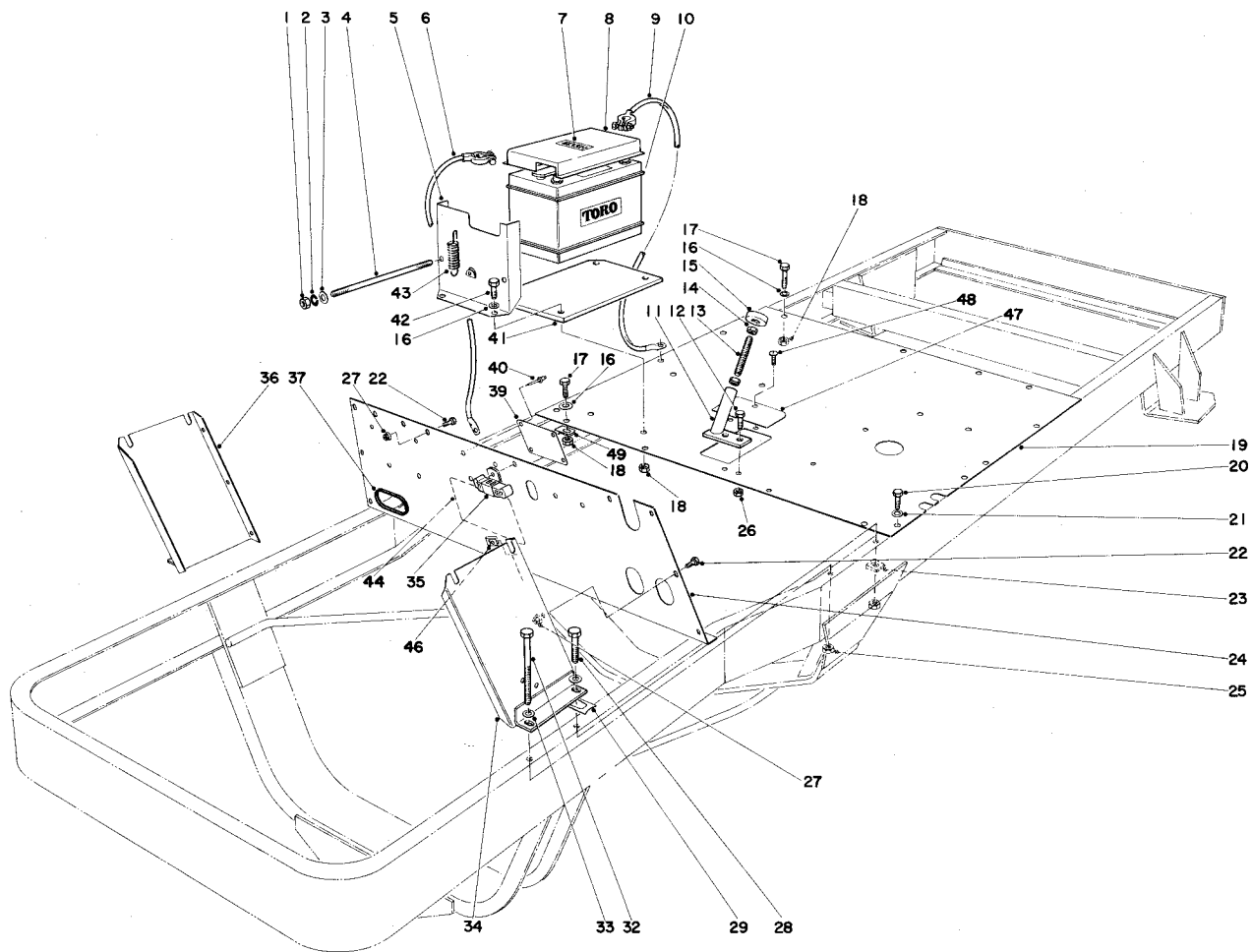
RADIATOR AND FUEL TANK ASSEMBLY

Ref. No.	Part No.	Description	No. Used
1	18-1020	Headlight Cover	1
2	18-2160	Radiator	1
3	18-4350	Headlight Hole Cover	2
†4	861050	Radiator Cap (15 P.S.I.)	1
5	32128-17	Flange Nut	8
6	18-1030	Fan Deflector	1
7	3217-6	Nut	8
8	3253-4	Lockwasher	8
9	3256-23	Flatwasher	16
10	2412-3	Hose Clamp	3
11	18-1820	Upper Radiator Hose	1
12	36-8280	Fuel Tank Strap	4
13	32146-5	Locknut	8
14	222-8	Gas Cap	1
15	237-49	Nylon Washer	5
16	3254-1	Lockwasher	5
17	3252-16	Machine Screw	5
18	3255-17	Lockwasher	5
19	3219-14	Nut	1
20	18-2370	Fuel Sender	1
21	18-2380	Gasket	1
22	36-8290	Fuel Tank (Incl. Ref. #14)	1
23	353-420	Fitting	1
24	3-3868	Ground Wire	1
25	3-3824	Felt Strip	4
26	3290-319	Machine Screw	4
27	19-3240	Fuel Line	1
28	3256-22	Flatwasher	4
29	32146-17	Lock Nut	4

Ref. No.	Part No.	Description	No. Used
30	321-2	Capscrew	7
31	249-10	Hood Clamp	2
32	32122-14	Machine Screw	8
33	3252-2	Screw	4
34	3217-26	Nut	4
35	325-6	Capscrew	4
36	3256-26	Flatwasher	4
37	32146-13	Lock Nut	4
38	3290-216	Bevel Washer	4
39	18-0880	Front Side Panel L.H.	1
*	18-0870	Front Side Panel R.H.	1
40	237-37	Rubber Bumper	4
41	18-0960	Grille	1
42	2412-42	Hose Clamp	1
43	32140-42	Self-Tapping Screw	14
44	18-1830	Lower Radiator Hose	1
45	3256-22	Flatwasher	3
46	37-2230	Headlight Panel	1
47	3290-192	Tinnerman Clip	7
48	3255-7	Washer	7
49	3290-145	Screw	7
50	25-9650	Toro Emblem	1
51	3290-363	Tinnerman Clip	5
52	281-7	Pipe Plug Sq. Hd.	1
53	281-5	Pipe Plug Sq. Hd.	1
54	2410-13	Plug Button	2
55	18-2970	Clamp	1
56	32104-32	Self-Tapping Screw	1

*Not Illustrated

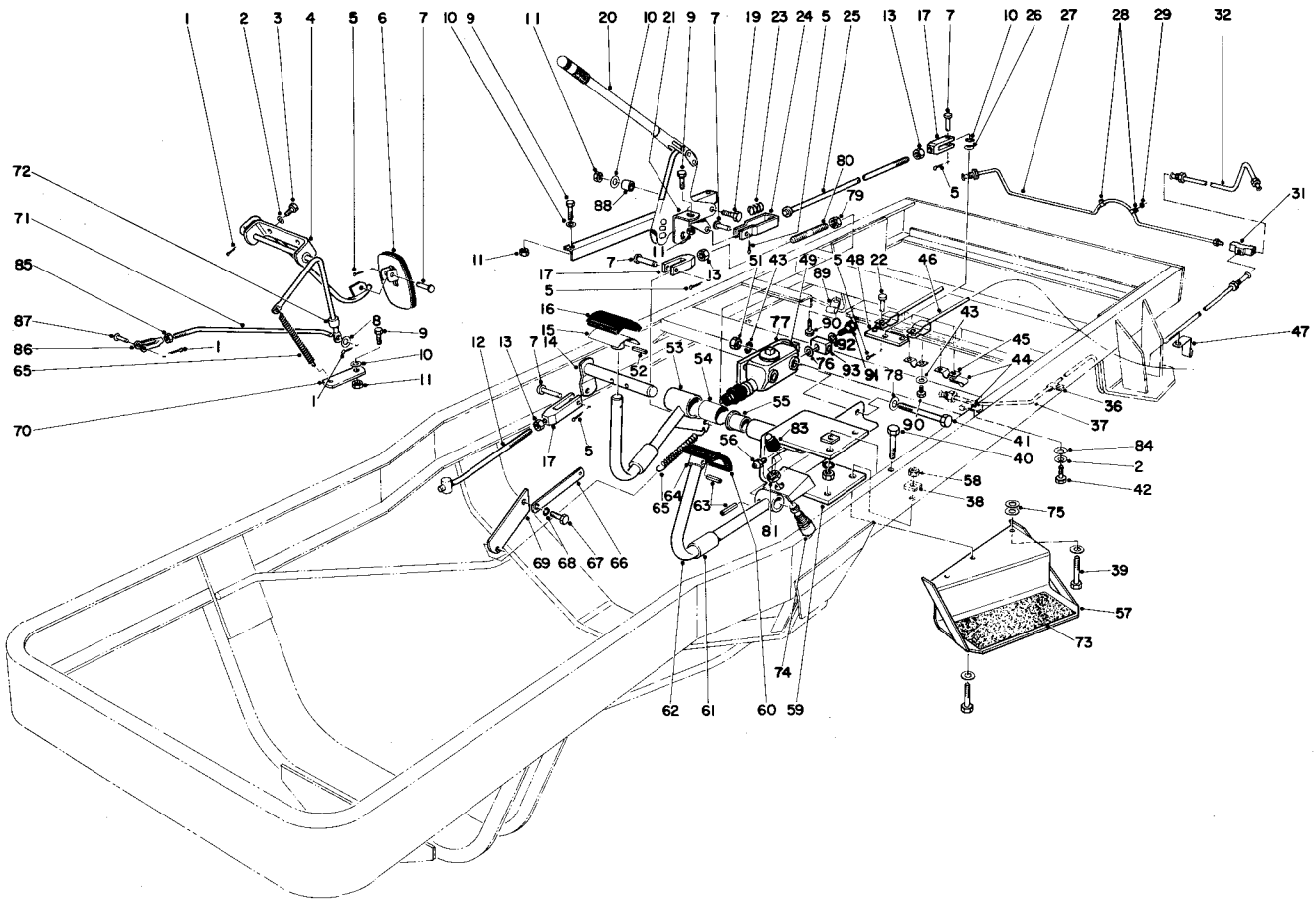
†Obtain from your local GM, Chevrolet Dealer.



TOE BOARD AND BATTERY ASSEMBLY

Ref. No.	Part No.	Description	No. Used
1	3217-5	Nut	4
2	3253-3	Lockwasher	4
3	3256-2	Flatwasher	4
4	5-0678	Battery Rod	2
5	3-5967	Battery Support	2
6	18-2760	Cable (Hot)	1
7	3-5582	Decal	1
8	3-3175	Battery Cover	1
9	218-208	Ground Cable	1
10	13-6480	Battery	1
11	10-3150	Footrest	1
12	322-3	Capscrew	2
13	5-2973	Rod	1
14	3219-2	Jam Nut	2
15	5-2967	Button	1
16	3256-24	Flatwasher	7
17	323-5	Capscrew	7
18	32146-2	Locknut	7
19	36-9260	Floor Plate	1
20	32104-6	Self-Tapping Screw	6
21	3256-24	Flatwasher	6
22	3290-321	Capscrew	9
23	3290-216	Bevel Washer	3

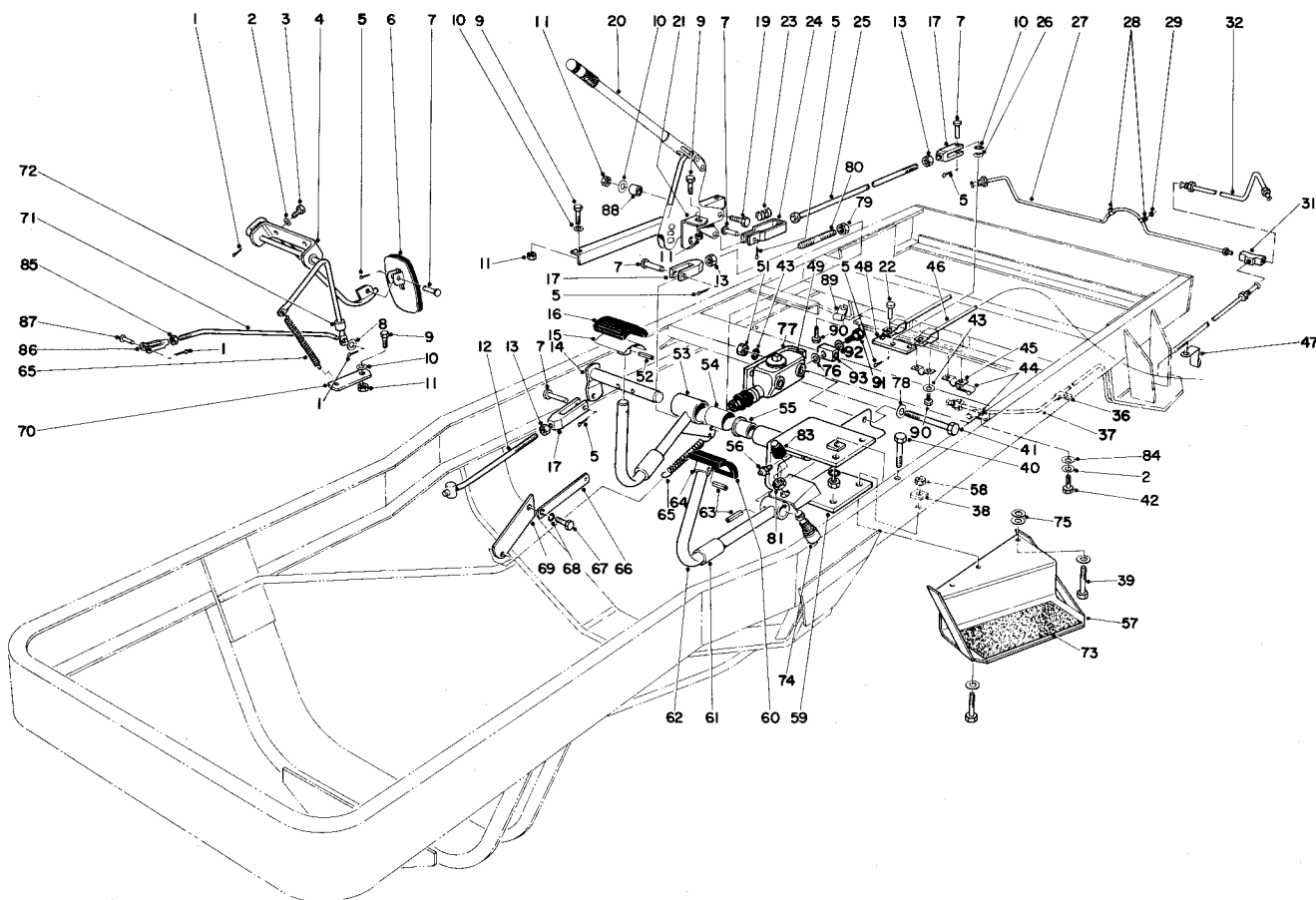
Ref. No.	Part No.	Description	No. Used
24	18-0850	Toe Board	1
25	32146-13	Locknut	4
26	32146-5	Locknut	2
27	32128-17	Flanged Locknut	9
28	325-9	Capscrew	3
29	20-5040	Shim	A/R
32	325-23	Capscrew	1
33	3256-26	Flatwasher	4
34	18-0790	Rear Side Plate L.H.	1
35	18-2680	Resistor (10 Ohm)	1
36	18-0800	Rear Side Plate R.H.	1
37	18-2310	Grommet	1
39	18-3200	Instruction Plate	1
40	3290-56	Pop Rivet	6
41	5-3455	Battery Base	1
42	323-8	Capscrew	4
43	3-8135	Spring	2
44	38-1690	Starting Instructions	1
46	218-214	Tinnerman Clip	1
47	36-9440	Plate-Shift Closure	1
48	32104-77	Screw Self-Tapping	6
49	18-2970	Clip Fuel Line	1



BRAKE, CLUTCH, THROTTLE CONTROLS

Ref. No.	Part No.	Description	No. Used
1	3272-5	Cotter Pin	2
2	3253-4	Lockwasher	3
3	32104-32	Self-Tapping Screw	2
4	18-2510	Foot Throttle	1
5	3272-6	Cotter Pin	6
6	10-2670	Accelerator Pedal	1
7	283-2	Clevis Pin	4
8	3256-22	Washer	1
9	323-5	Capscrew	4
10	3256-24	Flatwasher	7
11	32146-2	Lock Nut	4
12	18-1320	Clutch Link	1
13	3220-3	Jam Nut	3
14	18-1160	Pedal Shaft	1
15	10-0670	Pedal	1
16	7-3900	Brake Pad	1
17	282-1	Clevis	3
19	323-7	Capscrew	2
20	36-9270	Parking Brake	1
21	18-3260	Parking Brake Bracket	1
22	283-1	Yoke Pin	2
23	3-1768	Compression Spring	1
24	3-5300	Front Clevis	1

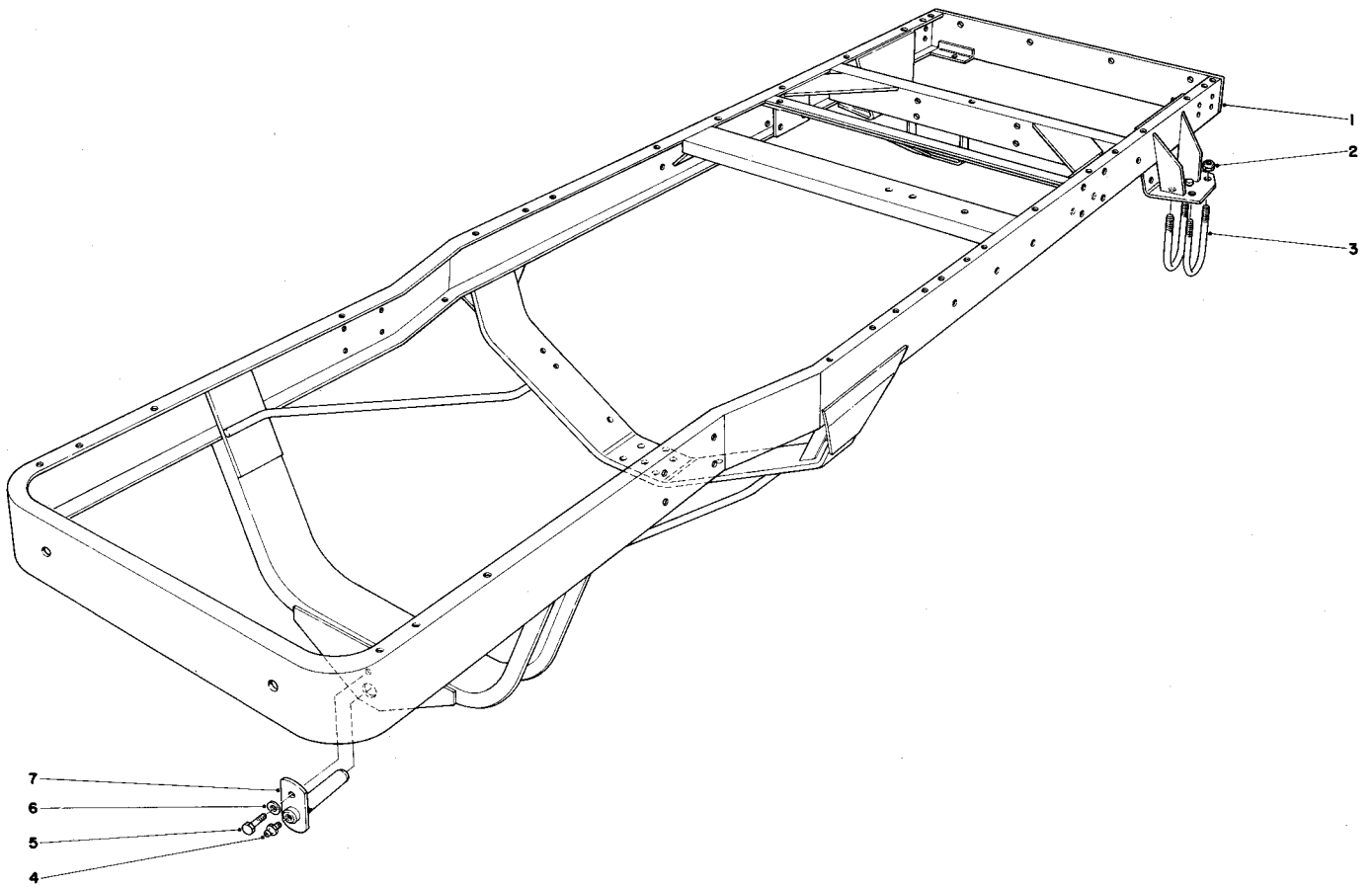
Ref. No.	Part No.	Description	No. Used
25	3-1772	Brake Rod	1
26	3290-211	Spring Washer	1
27	37-3330	Brake Tube Ass'y. L.H.	1
28	3-3075	Clip	2
29	3254-6	Lockwasher	2
31	304-2	Tee	1
32	37-3340	Brake Tube Ass'y. R.H.	1
36	212-93	Clip-Wire	3
37	42-3700	Brake Tubing Assembly	1
38	3290-216	Bevel Washer	5
39	325-7	Capscrew	3
40	325-6	Capscrew	2
41	323-20	Capscrew	2
42	322-1	Capscrew	1
43	3253-21	Lockwasher	6
44	18-2970	Fuel Line Clip	2
45	215-23	Clamp	2
46	36-9730	Cable Assembly	2
47	37-9840	Support Brake Line	2
48	3-3137	Plate-Equalizer	1
49	37-4180	Master Cylinder (Incl. Ref. #76)	1
51	3217-7	Nut	2
52	32121-34	Retaining Pin	3



BRAKE, CLUTCH, THROTTLE CONTROLS (Continued)

Ref. No.	Part No.	Description	No. Used
53	3-8760	Brake Pedal and Bushing Ass'y. (Incl. Ref. #54)	1
54	256-143	Bushing	1
55	256-10	Bushing	2
56	302-5	Grease Fitting	1
57	33-2190	Step	1
58	32146-13	Lock Nut	5
59	37-3120	Pedal Shaft Bracket Assembly (Incl. Ref. #55)	1
60	7-3901	Clutch Pad	1
61	3-3107	Rubber Bumper	2
62	3-3750	Clutch Pedal	1
63	32121-34	Roll Pin	2
64	10-0680	Pedal Pad	1
65	5-1706	Throttle Return Spring	2
66	18-1050	Return Spring Bracket	1
67	325-3	Capscrew	1
68	3253-7	Lockwasher	1
69	18-1060	Clutch Return Spring Bracket	1
70	38-2090	Throttle Spring Bracket	1
71	18-2610	Foot Throttle Link	1
72	18-2860	Foot Throttle Bumper	1

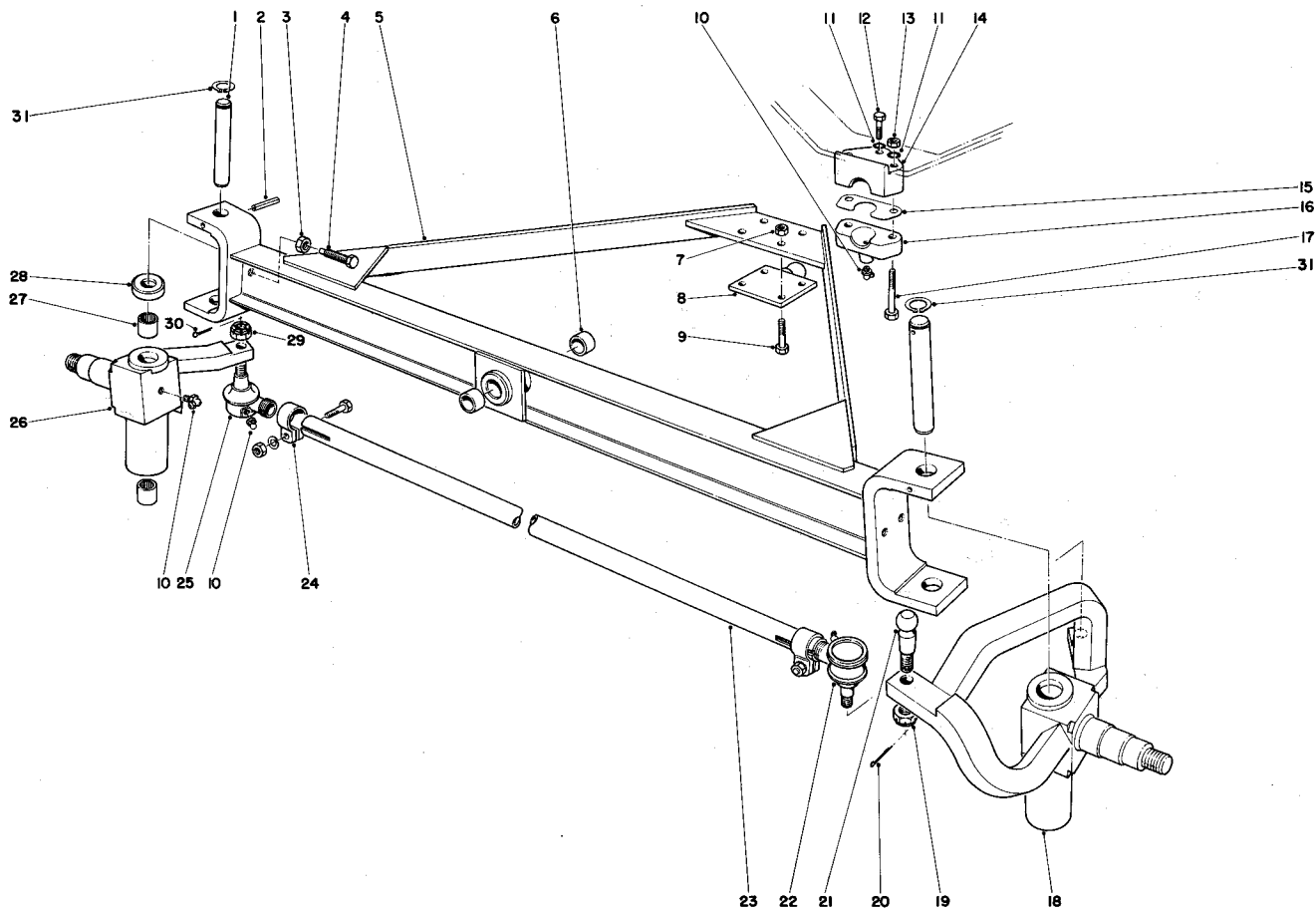
Ref. No.	Part No.	Description	No. Used
73	33-2230	Pad Step	1
74	23-8010	Interlock Switch (Incl. Ref. #81 & 83)	1
75	3256-26	Washer	3
76	353-689	Sealing Washer	1
77	42-3690	Shield Brake Fitting	1
78	3256-3	Flat Washer	2
79	3218-3	Jam Nut	1
80	37-2060	Shaft-Brake Cylinder	1
81	218-461	Nut	2
83	39-0770	Rubber Boot	1
84	3256-23	Washer	1
85	3220-1	Jam Nut	1
86	282-17	Yoke	1
87	283-3	Clevis Pin	1
88	37-1530	Spacer	2
89	2412-10	Clamp	1
90	32104-6	Self-Tapping Screw	5
91	42-3720	Connecting Bolt	1
92	42-3730	Inlet Connecting Gasket	1
93	42-3710	Fitting	1



FRAME ASSEMBLY

Ref. No.	Part No.	Description	No. Used
1	26-8550	Frame	1
2	3296-24	Locknut	8
3	37-4230	U-Bolt	4
4	302-2	Grease Fitting	1

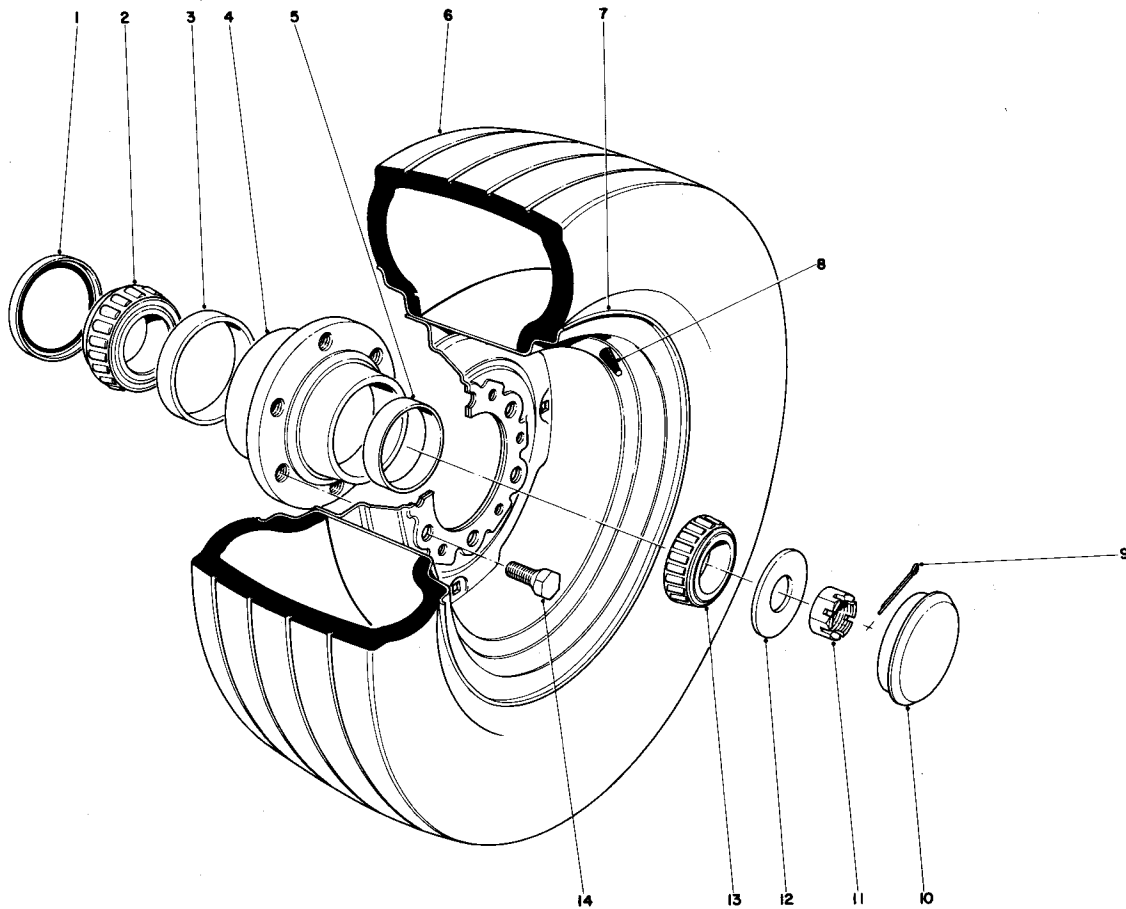
Ref. No.	Part No.	Description	No. Used
5	32104-6	Screw	1
6	3256-24	Flat Washer	7
7	3-3760	Pivot Pin	1



FRONT AXLE ASSEMBLY

Ref. No.	Part No.	Description	No. Used
1	24-6900	Spindle Pin	2
2	32121-34	Roll Pin	4
3	3218-5	Jam Nut	3
4	32102-14	Set Screw	3
5	26-2320	Front Axle	1
6	256-126	Bushing	2
7	32146-13	Locknut	4
8	12-0360	Pivot Block	1
9	325-7	Capscrew	4
10	302-33	Grease Fitting	5
11	3253-8	Lockwasher	3
12	327-4	Capscrew	1
13	3219-6	Nut	2
14	3-2968	Lower Ball Socket	1
15	3-3825	Shim	A/R
16	3-2967	Upper Ball Socket	1

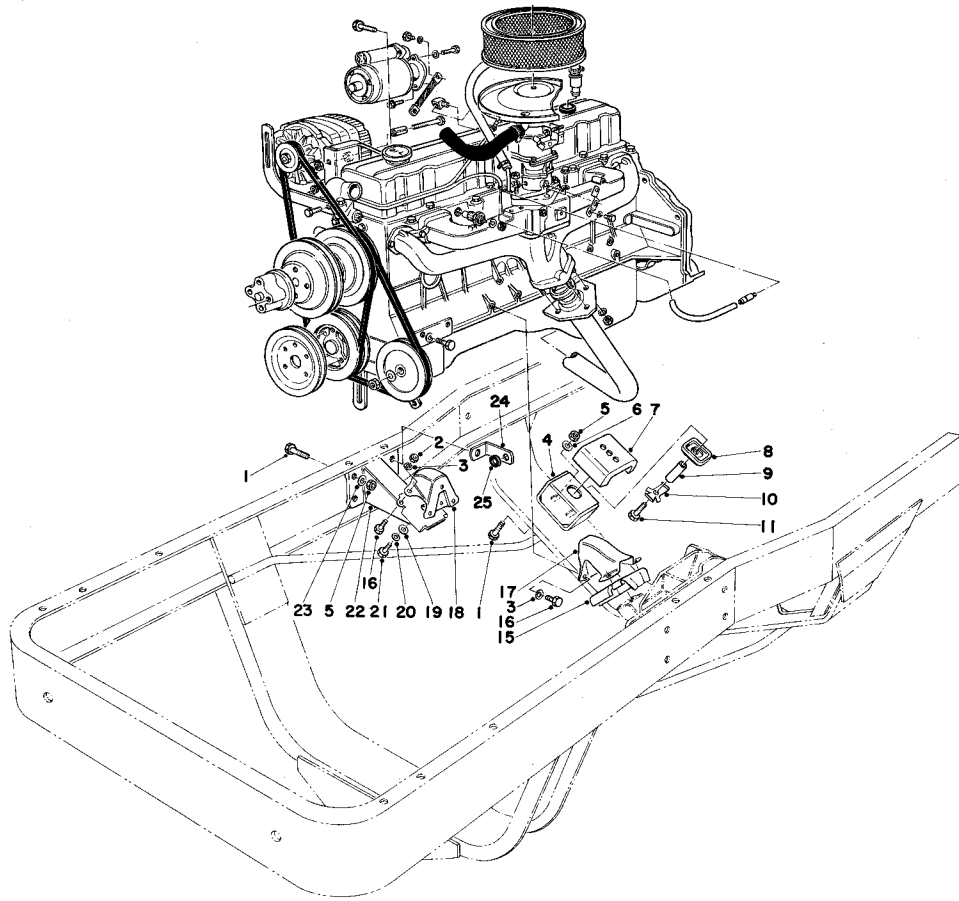
Ref. No.	Part No.	Description	No. Used
17	3214-13	Capscrew	2
18	23-5300	Spindle L.H.	1
19	32136-3	Slotted Nut	1
20	3272-7	Cotter Pin	1
21	5-2966	Ball Stud	1
22	2116-3	Ball Joint L.H.	1
23	3-3710	Tie Rod Ass'y. (Incl. Ref. #10, 22, 24, 25 & 29)	1
24	2412-7	End Clamp	2
25	2116-4	Ball Joint R.H.	1
26	20-9900	Spindle R.H.	1
27	252-52	Needle Bearing	4
28	251-32	Thrust Bearing	2
29	32136-2	Slotted Nut	2
30	3272-17	Cotter Pin	2
31	32151-36	Retaining Ring	2



FRONT WHEEL HUB AND RIM — For 9.5 L-14 Tire

Ref. No.	Part No.	Description	No. Used
1	253-100	Grease Seal	2
2	254-75	Inner Bearing Cone	2
3	254-76	Inner Bearing Cup	2
4	217-26	Wheel Hub (Incl. Ref. #3 & 5)	2
5	254-20	Outer Bearing Cup	2
6	33-0750	Tire — Tubeless (9.5L-14)	2
7	10-0720	Wheel (14")	2

Ref. No.	Part No.	Description	No. Used
8	232-27	Valve Stem	2
9	3272-23	Cotter Pin	2
10	217-33	Hub Cap	2
11	32136-1	Slotted Hex Nut	2
12	3256-9	Washer	2
13	254-42	Outer Bearing Cone	2
14	217-34	Wheel Bolt	12

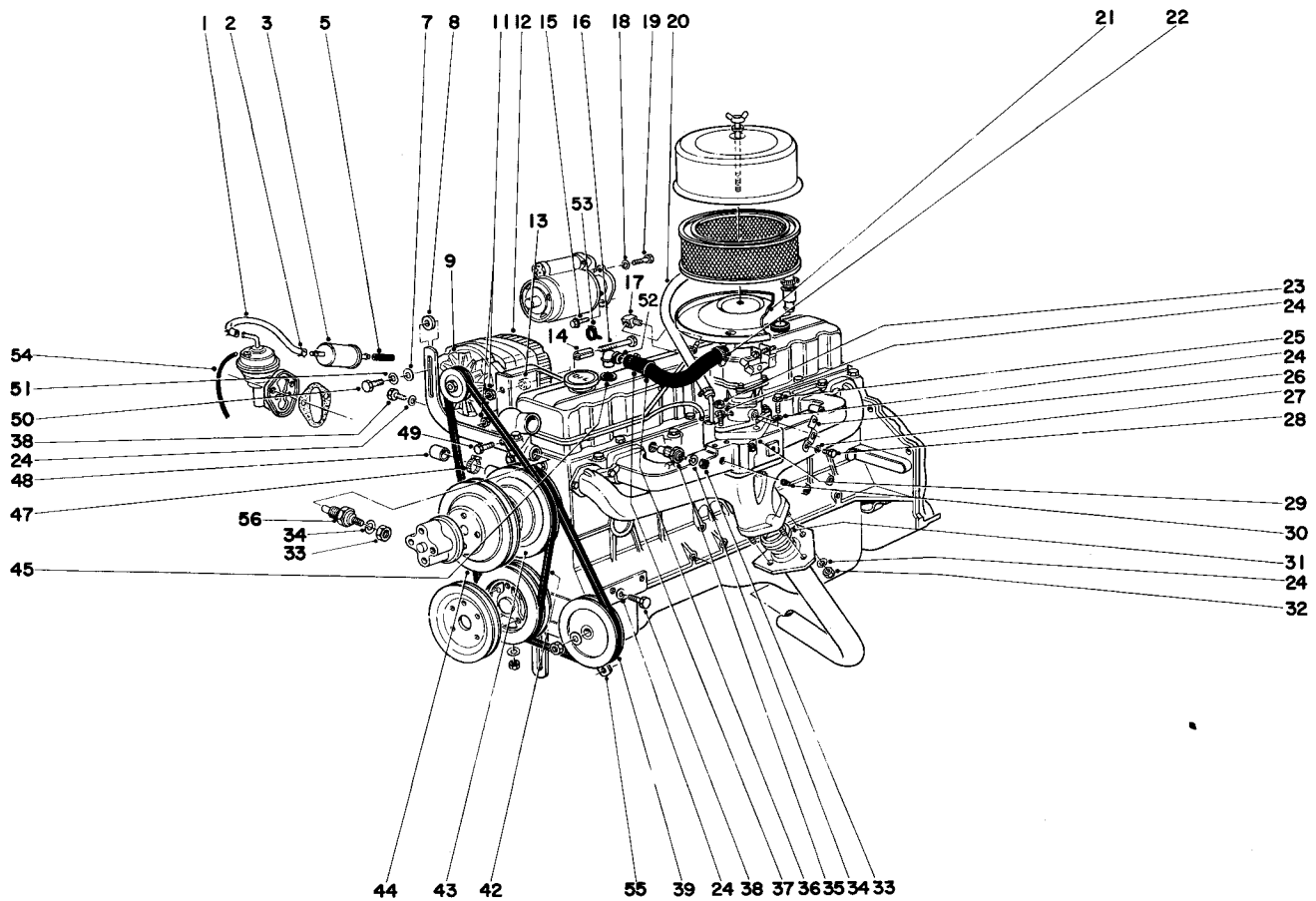


ENGINE MOUNTING COMPONENTS

Ref. No.	Part No.	Description	No. Used
1	325-6	Capscrew	8
2	3217-7	Nut	4
3	3253-21	Lockwasher	12
4	18-1240	Engine Mount	2
5	32146-13	Locknut	8
6	3256-26	Flat Washer	4
**7	3773362	Upper Mount	2
**8	14009321	Lower Mount	2
**9	14009322	Spacer	2
**10	3763763	Lock	2
**11	9416322	Capscrew	2

Ref. No.	Part No.	Description	No. Used
**15	3990332	Front Engine Mount	2
16	323-4	Capscrew	12
**17	3790291	Bracket L.H.	1
**18	3790292	Bracket R.H.	1
19	3256-25	Flat Washer	2
20	3253-6	Lockwasher	2
21	324-5	Capscrew	2
22	18-1040	Engine Mount R.H.	1
23	3256-26	Flat Washer	4
24	18-2730	Support Fuel Filter	1
25	237-73	Grommet	1

** Obtain from your local GM, Chevrolet Dealer.

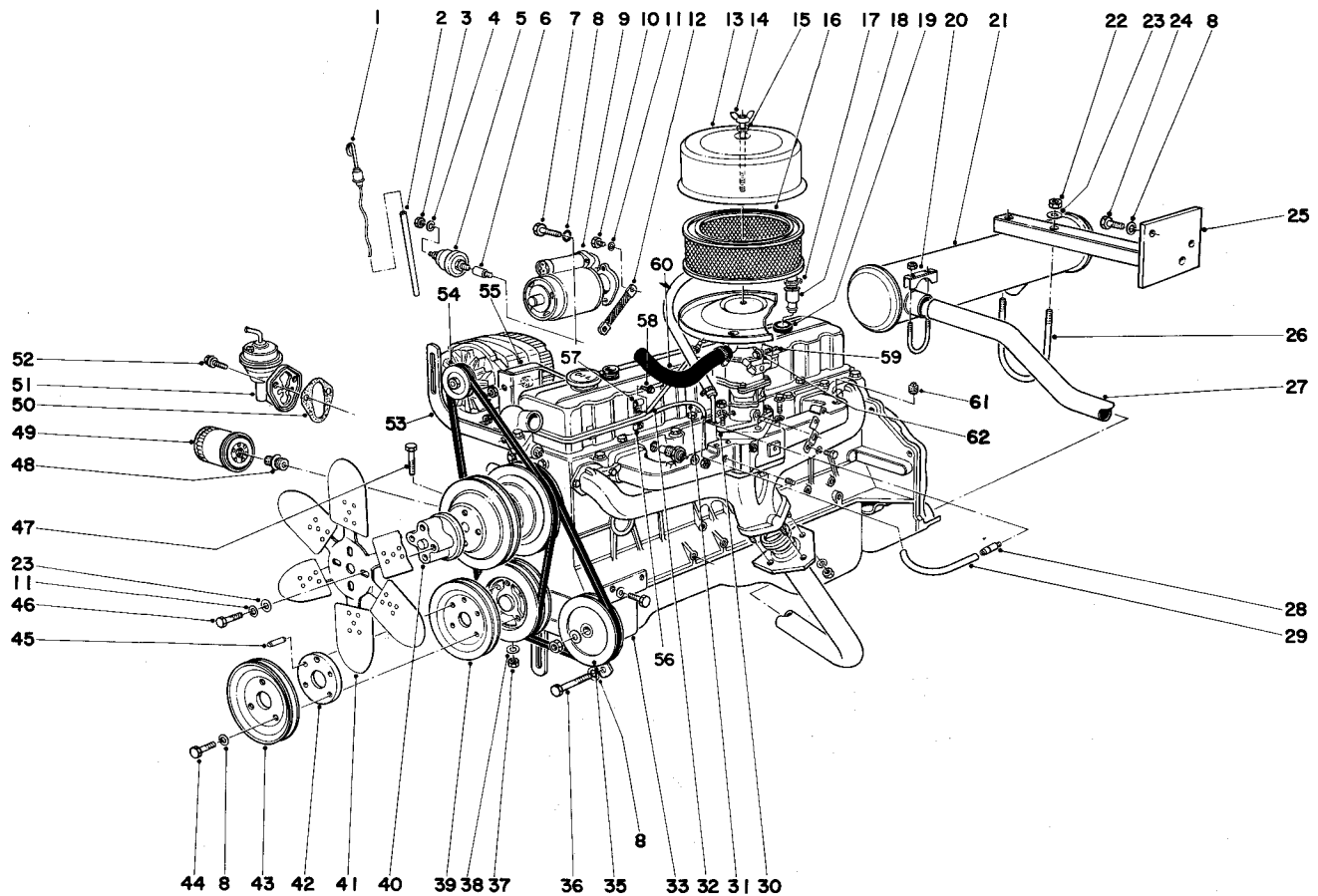


ENGINE ASSEMBLY

Ref. No.	Part No.	Description	No. Used
1	18-1530	Hose Filter to Pump	1
2	2412-6	Hose Clamp	2
3	18-1520	Fuel Filter (AC5650718)	1
5	18-2400	Fuel Line	1
7	3256-23	Flat Washer	1
8	5-4460	Washer	1
9	18-1600	Fan Alternator	1
11	32146-2	Locknut	2
12	39-7370	Alternator	1
13	3-8774	Spacer	1
**14	3825451	Alternator Spacer	1
**15	3781994	Capscrew Assembly	2
16	323-16	Capscrew	1
17	353-420	Inverted Flare Fitting	1
**18	138489	Lockwasher	1
**19	9419054	Capscrew	1
20	18-0150	Hose Crankcase	1
21	226-15	Base	1
22	2412-34	Hose Clamp	2
23	3219-3	Nut	2
24	3253-21	Lockwasher	11
25	323-37	Ferry Screw	2
26	18-8610	Carburetor Arm Connector	1
27	3253-17	Lockwasher	1
28	3290-237	Capscrew	1
29	18-1510	Carburetor Adapter	1

Ref. No.	Part No.	Description	No. Used
30	281-2	Pipe Plug Manifold Vac. Outlet	1
**31	6271611	Exhaust Pipe Packing	1
32	3217-7	Nut	3
33	3219-14	Nut	2
34	3255-17	Lockwasher	2
35	39-7590	Thermo Switch Assembly	1
**36	6262895	Arrestor	1
37	33-2340	Hose Valve Cover To A/C	1
38	323-4	Capscrew	4
39	18-2020	V-Belt	1
42	18-2030	V-Belt Alternator	1
**43	3995646	Pulley Assembly	1
**44	329671	Pulley (3 Groove)	1
**45	3994239	Grommet	1
47	2412-34	Hose Clamp	1
**48	1191141	Inlet Cap	1
49	323-6	Capscrew	1
50	21-0350	Capscrew	1
51	3253-4	Lockwasher	1
**52	366846	Connector 90° Elbow	1
53	218-492	Rose Bud Clip	3
54	33-0310	Hose Vacuum Advance	1
55	38-1860	Strap Pump Adjustment	1
56	38-1680	Water Temp. Sending Unit	1

**Obtain from your local GM, Chevrolet Dealer.



ENGINE ASSEMBLY

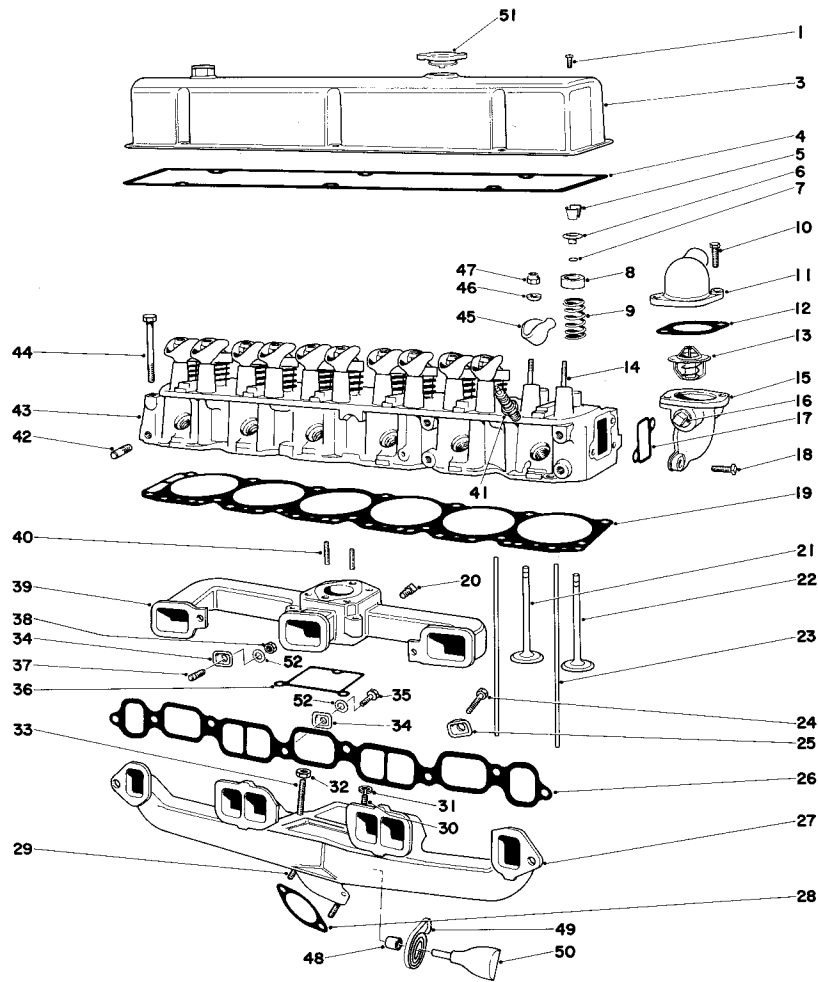
Ref. No.	Part No.	Description	No. Used
**1	3886082	Oil Level Gauge	1
**2	3886081	Oil Level Gauge Tube	1
3	3219-14	Nut	1
4	3255-17	Lockwasher	1
5	18-1760	Oil Pressure Sending Unit	1
6	18-2650	Adapter	1
7	323-9	Capscrew	1
8	3253-21	Lockwasher	8
**9	36-2650	Starter Motor (GM No. 1109099)	1
10	322-1	Capscrew	1
11	3253-4	Lockwasher	5
12	18-2770	Ground Cable	1
13	226-12	Cover	1
14	226-13	Wing Bolt	1
15	226-10	Gasket	1
16	226-11	Cartridge	1
17	2412-36	Hose Clamp	2
18	18-1490	Valve Assembly PCV	1
**19	3989344	Grommet	1
20	20-4840	Muffler Clamp	1
21	19-8860	Muffler	1
*	37-4260	Spark Arrestor Muffler (Optional)	1
22	32152-1	Locknut	2
23	3256-23	Flat Washer	6
24	323-5	Capscrew	2
25	36-9230	Muffler Support	1
26	19-7440	U-Bolt	1
27	28-7370	Exhaust Pipe	1
28	18-2840	Vacuum Tube	1
29	18-1570	Vacuum Hose	1

*Not Illustrated

†Obtain from your local AC Dealer.

Ref. No.	Part No.	Description	No. Used
**30	3953732	Carburetor Gasket	2
31	18-1560	Vacuum Pipe	1
32	18-1580	Carburetor Gas Pipe	1
33	18-1920	Pump Mount	1
35	38-1830	Pulley, Power Steering Pump	1
36	323-33	Capscrew	2
37	32146-13	Locknut	1
38	3256-26	Flat Washer	1
39	18-8430	Pulley, Crankshaft	1
**40	3927792	Fan Blade Spacer	1
41	38-6450	Fan	1
42	18-8420	Pulley Adapter Plate	1
**43	3883263	Fan Pulley	1
44	3211-5	Capscrew	3
45	32121-11	Spring Pin	2
46	3210-10	Capscrew	4
47	325-9	Capscrew	1
**48	3853870	Oil Filter Connector	1
†49	PF-25	Oil Filter	1
50	18-1550	Gasket	1
51	18-1540	Fuel Pump	1
**52	14001985	Bolt - Fuel Pump	2
53	18-1120	Alternator Bracket	1
54	18-1610	Pulley Alternator	1
55	18-1080	Mount Alternator	1
56	3290-191	Speed Nut	1
57	2412-31	Conduit Clip	1
58	3290-144	Hex Hd. Screw Washer Face	1
59	3290-360	Hex Hd. Machine Screw	1
60	33-2330	Valve Cover Hose	1
61	281-2	Sq. Hd. Pipe Plug	1
62	3256-14	Washer	2

**Obtain from your local GM, Chevrolet Dealer.



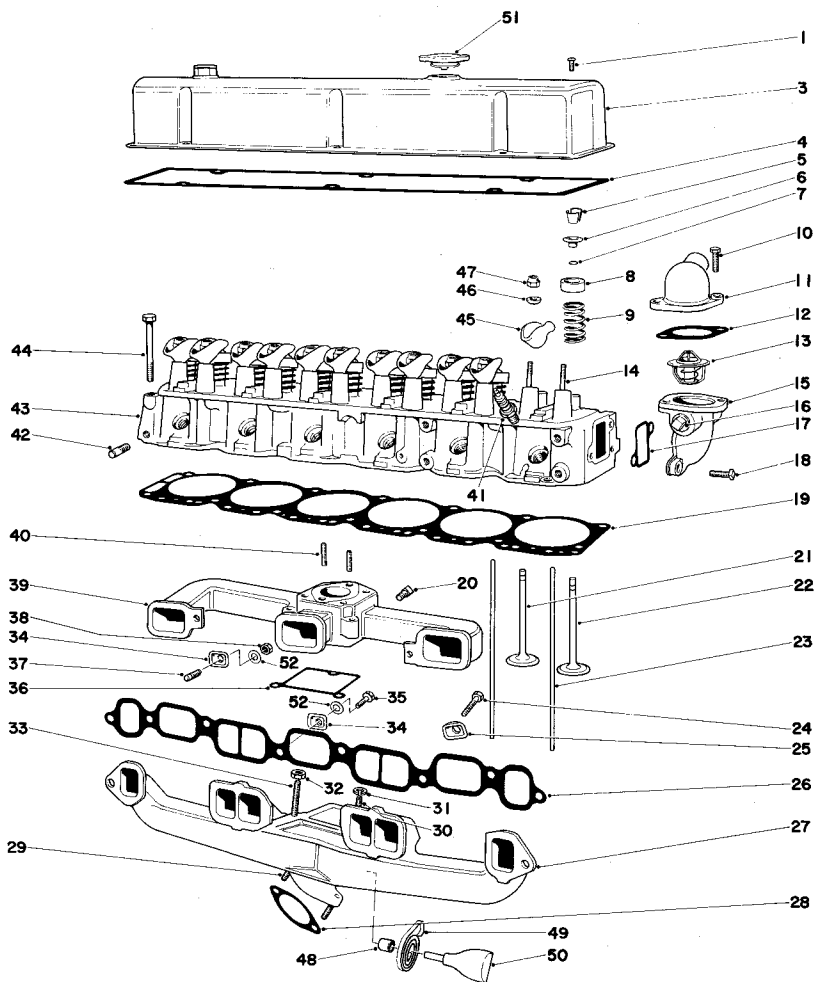
ENGINE

Ref. No.	Part No.	Description	No. Used
1	180016	Bolt – Valve Rocker Cover	7
3	458176	Cover Assembly – Valve Rocker	1
14	3930912	Gasket – Valve Rocker Cover	1
5	3947770	Key Valve Stem	24
6	3729363	Cap – Valve Spring	12
7	3835333	Seal – Valve Stem	12
8	3836755	Shield Valve Spring	12
9	3864895	Spring & Damper – Valve	12
10	454905	Bolt – Water Outlet	2
11	338117	Outlet Water	1
†12	3701777	Gasket – Water Outlet	1
13	3028626	Thermostat Assembly	1
14	3814692	Stud – Rocker Arm (.003 O.S.)	A/R
*	3815892	Stud – Rocker Arm (.013 O.S.)	A/R
15	352705	Housing Thermostat	1
16	444746	Plug Thermostat Housing	3
†17	3789161	Gasket – Thermostat Housing	1
18	454905	Bolt Thermostat Housing	2
19	355754	Gasket Cylinder Head	1
20	445673	Plug – Inlet Manifold Vacuum Outlet Hole	1
21	458151	Valve – Exhaust (Std.)	6

Ref. No.	Part No.	Description	No. Used
*	461915	Valve – Exhaust (.003 O.S.)	A/R
*	461918	Valve – Exhaust (.015 O.S.)	A/R
*	461920	Valve – Exhaust (.030 O.S.)	A/R
22	3989083	Valve – Intake (Std.)	6
*	3995684	Valve – Intake (.003 O.S.)	A/R
*	3995685	Valve – Intake (.015 O.S.)	A/R
*	3995686	Valve – Intake (.030 O.S.)	A/R
23	3788495	Rod – Push	12
24	120394	Bolt – Inlet & Exhaust Manifold Clamp	2
25	3823035	Clamp – Inlet & Exhaust Manifold (at end Exhaust Ports)	2
26	338115	Gasket – Inlet & Exhaust Manifold	1
27	460503	Manifold Exhaust, Less Studs	1
28	6271611	Exhaust Pipe Packing	1
29	3798281	Stud – Exhaust Manifold to Exhaust Pipe	3
30	181648	Bolt Intake to Exhaust Manifold	1
31	120382	Washer – Intake to Exhaust Manifold Bolt	1
32	3866766	Nut – Intake to Exhaust Manifold Stud	2

*Not Illustrated

†Production engine not supplied with gasket.



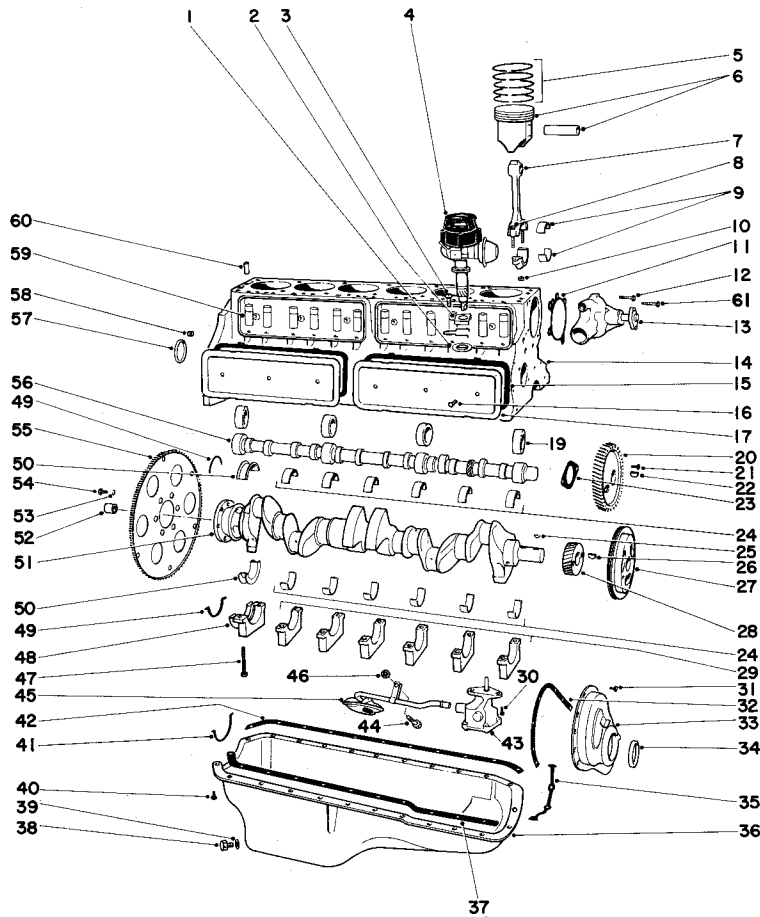
ENGINE (Continued)

Ref. No.	Part No.	Description	No. Used
33	3798281	Stud - Intake to Exhaust Manifold	2
34	3792519	Clamp - Inlet & Exhaust Manifold	4
35	9419059	Bolt - Inlet & Exhaust Manifold Clamp (at end Exhaust Ports)	2
36	343386	Gasket - Exhaust to Intake Manifold	1
37	9784982	Stud - Inlet & Exhaust Manifold Clamp	2
38	3866766 14002049	Nut - Inlet & Exhaust Manifold Clamp	2
39	343304	Manifold - Intake	1
40	3973169	Stud - Carburetor	2
41	5613326	Spark Plug Assembly	6
42	3835487	Stud - Manifold Locating	2

Ref. No.	Part No.	Description	No. Used
43	6259693	Head Cylinder	1
44	3788417	Bolt Cylinder Head	14
45	5723551	Arm - Valve Rocker (Incl. Ref. #46-47)	12
46	3992294	Ball - Valve Rocker Arm	12
47	465934	Nut - Valve Rocker Arm Adj.	12
48	3848282	Bushing - Exhaust Manifold Valve	2
49	3895015	Spring - Exhaust Manifold Valve Stop	1
50	3881831	Thermostat Exhaust Manifold Valve	1
*	3943670	Connector - Crankcase Vent Hose (Intake Manifold)	1
51	850843	Cap Oil Fill	1
52	1164767	Washer - Incl. Exhaust Manifold	4

*Not Illustrated

Note: Obtain from your local GM, Chevrolet Dealer.



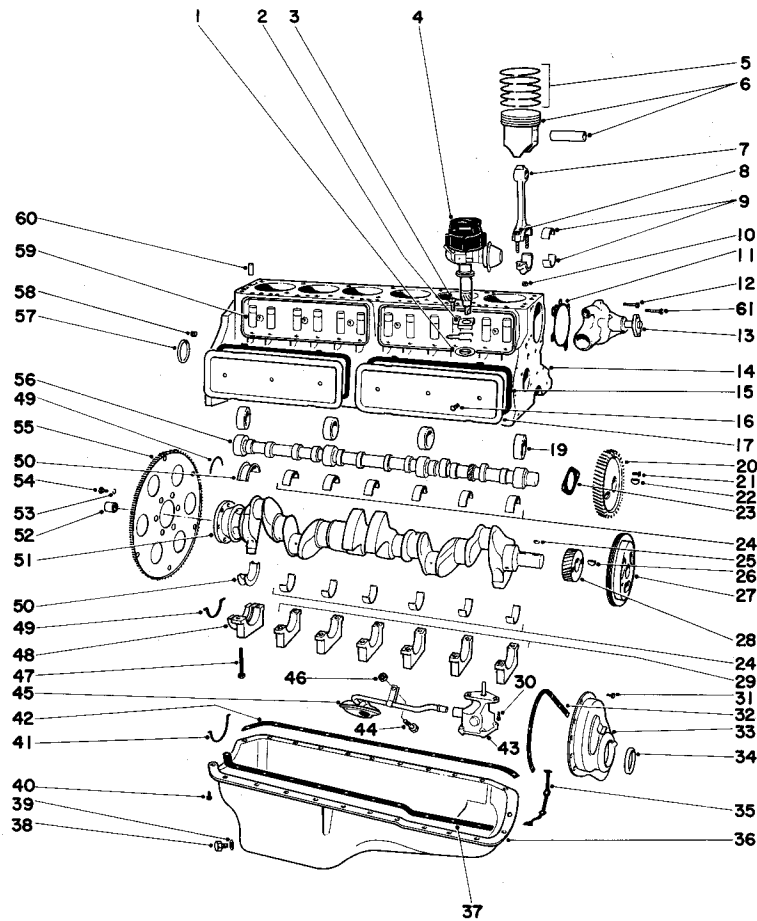
ENGINE

Ref. No.	Part No.	Description	No. Used
1	6256636	Gasket - Ignition Timer Distributor	1
2	355780	Clamp - Ignition Timer Distributor	1
3	454905	Bolt - Ignition Timer Distributor	1
4	1110717	Distributor Assembly	1
*	3792286	Bearing - Distributor Shaft Pilot	1
5	326400	Ring - Piston (1 Per Cylinder) Std.	6
*	328503	Ring - Piston (.030 O.S.) (1 Per Cylinder)	A/R
6	6270033	Piston & Piston Pin Assembly (Std.)	6
*	6270034	Piston & Piston Pin Assembly (.001 O.S.)	A/R
*	6270036	Piston & Piston Pin Assembly (.030 O.S.)	A/R
7	3977110	Rod - Connecting	6
8	460405	Bolt Connecting Rod	12
9	463259	Bearing - Connecting Rod (Std.)	12
*	463319	Bearing - Connecting Rod (.001 U.S.)	A/R
*	463320	Bearing - Connecting Rod (.002 U.S.)	A/R
*	3715044	Bearing - Connecting Rod (.010 U.S.)	A/R
*	3715047	Bearing - Connecting Rod (.020 U.S.)	A/R
10	3815280	Nut Connecting Rod	12

Ref. No.	Part No.	Description	No. Used
+11	3788478	Gasket - Water Pump	1
12	443899	Bolt Water Pump Upper & Lower L.H. Side	2
13	361054	Pump Assembly Water	1
14	14008877	Cylinder & Case	1
+15	3920938	Gasket - Push Rod Cover	2
16	3814350	Bolt & Seal Assembly Push Rod Cover	6
17	465809	Cover - Push Rod	2
19	14002525	Bearing - Camshaft	4
20	3882893	Gear Camshaft	1
21	3817006	Screw - Camshaft Gear	2
22	106751	Key - Camshaft Gear	1
23	3790531	Bearing Unit - Camshaft Thrust	1
24	3829061	Bearing Unit - Crankshaft (Exc. R. R. Std.)	12
*	3829062	Bearing Unit - Crankshaft (Exc. R. R.) .001 U.S.	A/R
*	3829063	Bearing Unit - Crankshaft (Exc. R. R.) .002 U.S.	A/R
*	3829064	Bearing Unit - Crankshaft (Exc. R. R.) .010 U.S.	A/R
*	3829065	Bearing Unit - Crankshaft (Exc. R. R.) .020 U.S.	A/R
*	3829066	Bearing Unit - Crankshaft (Exc. R. R.) .030 U.S.	A/R
25	106751	Key - Crankshaft Gear	1
26	106751	Key - Torsional Damper	1
27	3896590	Damper - Assembly - Torsional	1
28	352167	Gear - Crankshaft	1

*Not Illustrated.

+Production Engine not supplied with gasket.



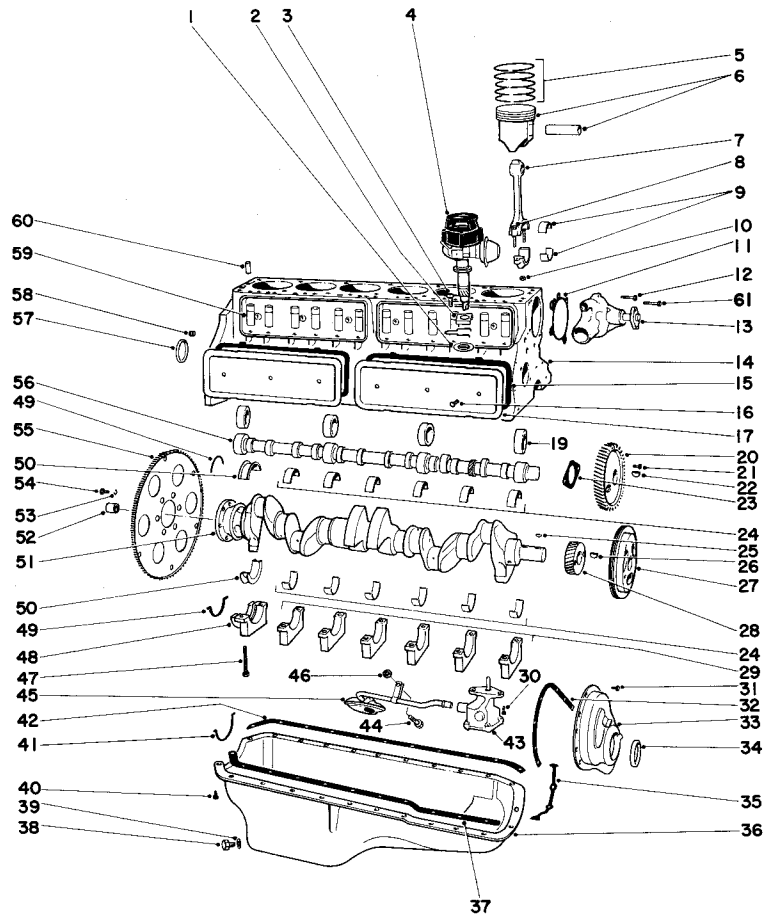
ENGINE (Continued)

Ref. No.	Part No.	Description	No. Used
29	3970194	Cap - Crankshaft Main Bearing (Exc. R. R.)	6
30	9424877	Bolt - Oil Pump & Screen	2
31	3817006	Screw - Crankcase Front Cover	8
32	3923472	Gasket - Front Cover	1
33	3996616	Cover - Crankcase Front End	1
34	3980267	Seal - Crankcase Front	1
35	3923440	Seal - Oil Pan Front	1
36	352156	Pan Oil	1
37	3930962	Gasket - Oil Pan R.H.	1
38	3923420	Plug - Oil Drain	1
39	3921989	Washer Oil Drain Plug	1
40	3817006	Screw - Oil Pan	18
*	180075	Screw - Oil Pan to Case	4
*	180075	Screw - Oil Pan to Front Cover	2
41	3921973	Seal - Oil Pan Rear	1
42	3930962	Gasket - Oil Pan L.H.	1
43	3832449	Pump Assembly Oil	1
*	3829433	Valve Oil Pressure Regulator	1
*	3814903	Spring - Oil Pressure Regulator Valve	1
*	103677	Pin Oil Pressure Regulator Valve Retainer	1
*	3930824	Plug - Oil Pressure Regulator Hole	1
*	3788457	Cover - Oil Pump	1
*	3789970	Gasket - Oil Pump Cover	1
*	133043	Screw - Oil Pump Cover	4
*	9421423	Lockwasher - Oil Pump Cover	4

Ref. No.	Part No.	Description	No. Used
44	180016	Bolt - Oil Pump & Screen Support (To Oil Pump Sec. Pipe)	1
45	3859941	Pipe & Screen Assembly Oil	1
*	3920913	Support - Pipe & Screen	1
46	9422297	Nut - Oil Pump & Screen (To R.H. Stud #6 Crank Bearing Cap)	1
47	3872781	Bolt - Crank Main Bearing Cap	13
*	3852870	Stud #6 Bearing R.H. Side	1
48	3928975	Cap - Crankshaft Main Bearing (R. R.)	1
49	473422	Seal Assembly - Crankshaft Rear Oil	2
50	3829067	Bearing Unit - Crankshaft R. R. Std.	2
*	3829068	Bearing Unit - Crankshaft R. R. .001 U.S.	A/R
*	3829069	Bearing Unit - Crankshaft R. R. .002 U.S.	A/R
*	3829070	Bearing Unit - Crankshaft R. R. .010 U.S.	A/R
*	3829071	Bearing Unit - Crankshaft R. R. .020 U.S.	A/R
*	3829072	Bearing Unit - Crankshaft R. R. .030 U.S.	A/R
51	460406	Crankshaft Assembly	1
52	3752487	Bearing Clutch Pilot	1
*	3925507	Housing Assembly Clutch	1
*	3736035	Bolt - Clutch Housing	4
*	3733130	Bolt - Clutch Housing	2

*Not Illustrated.

Note: Obtain from your local GM, Chevrolet dealer.



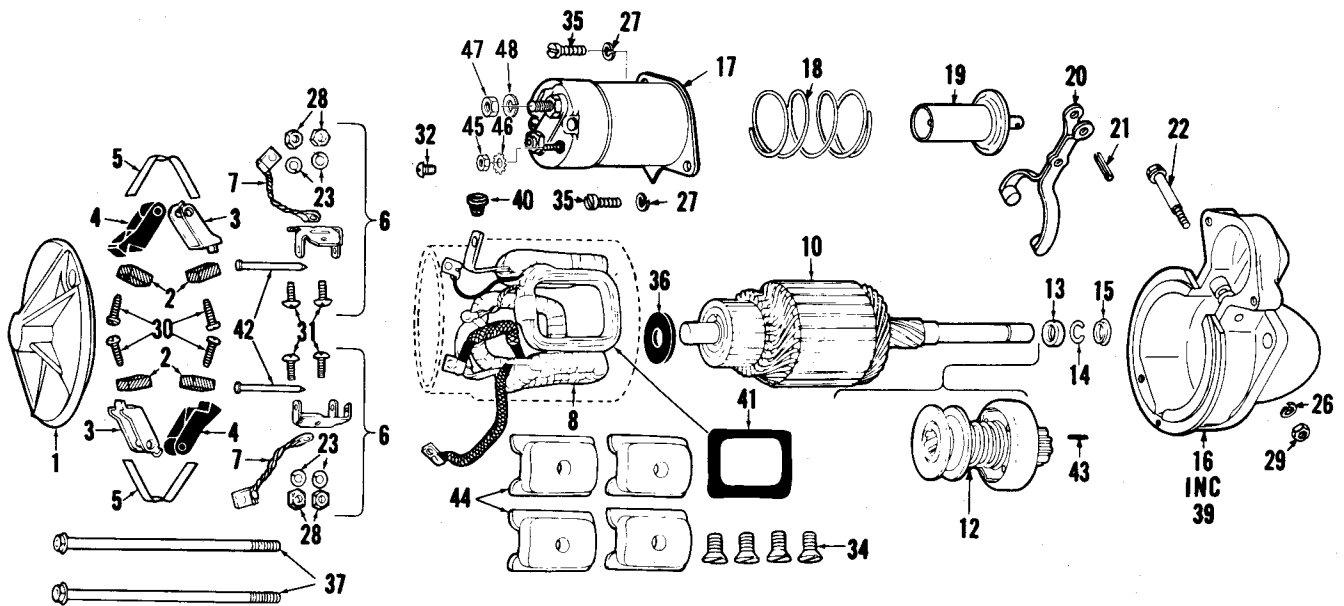
ENGINE (Continued)

Ref. No.	Part No.	Description	No. Used
*	3734908	Extension Clutch Housing Under Pan	1
*	3712745	Pin – Clutch Housing Line Up	2
*	3817006	Screw-Under Pan Extension	2
*	3714477	Under Pan Clutch Housing	1
*	3817006	Screw – Clutch Housing Under Pan	3
*	3828848	Plate Assembly Clutch Driven	1
*	3962052	Cover & Plate Assembly Clutch Pressure	1
*	838653	Bolt – Clutch Cover & Pressure Plate	6
*	120382	Lockwasher – Clutch Cover & Pressure Plate	6
*	3765372	Fork Assembly – Clutch	1
*	3725240	Stud – Clutch Fork Ball	1
*	3765360	Boot – Clutch Fork	1
53	136857	Lockwasher – Flywheel	6
54	839756	Bolt – Flywheel	6
55	3998281	Flywheel Assembly	1
56	6262809	Camshaft Assembly	1
57	3826505	Plug – Water Jacket R.R.	1

Ref. No.	Part No.	Description	No. Used
*	838538	Plug – Water Jacket Side	3
*	455883	Plug – Cylinder & Case Water Drain Hole	1
58	3994255	Plug – Camshaft R. R. Bearing	1
59	5232450	Lifter Ass'y. Hydraulic Valve	12
60	585927	Pin – Cylinder Head Dowel	2
*	5575416	Valve Assembly Oil Filter By Pass	1
*	3835577	Plug – Cylinder & Case Main Oil Gallery Front Hole	1
*	444782	Plug – Cylinder & Case Main Oil Gallery R.R. Hole	1
*	443613	Plug – Cylinder & Case (EFE Switch Hole R.H. Front)	1
*	3788418	Plug – Water Jacket	3
*	6273484	Bracket – Engine Lift Front	1
*	180120	Bolt – Engine Lift Bracket	2
*	180144	Bolt – Engine Lift Bracket Rear	1
61	180083	Bolt, Water Pump Upper & Lower R.H. Side	2
*	473342	Bracket Engine Lift Rear	1

*Not Illustrated

Note: Obtain from your local GM, Chevrolet dealer.



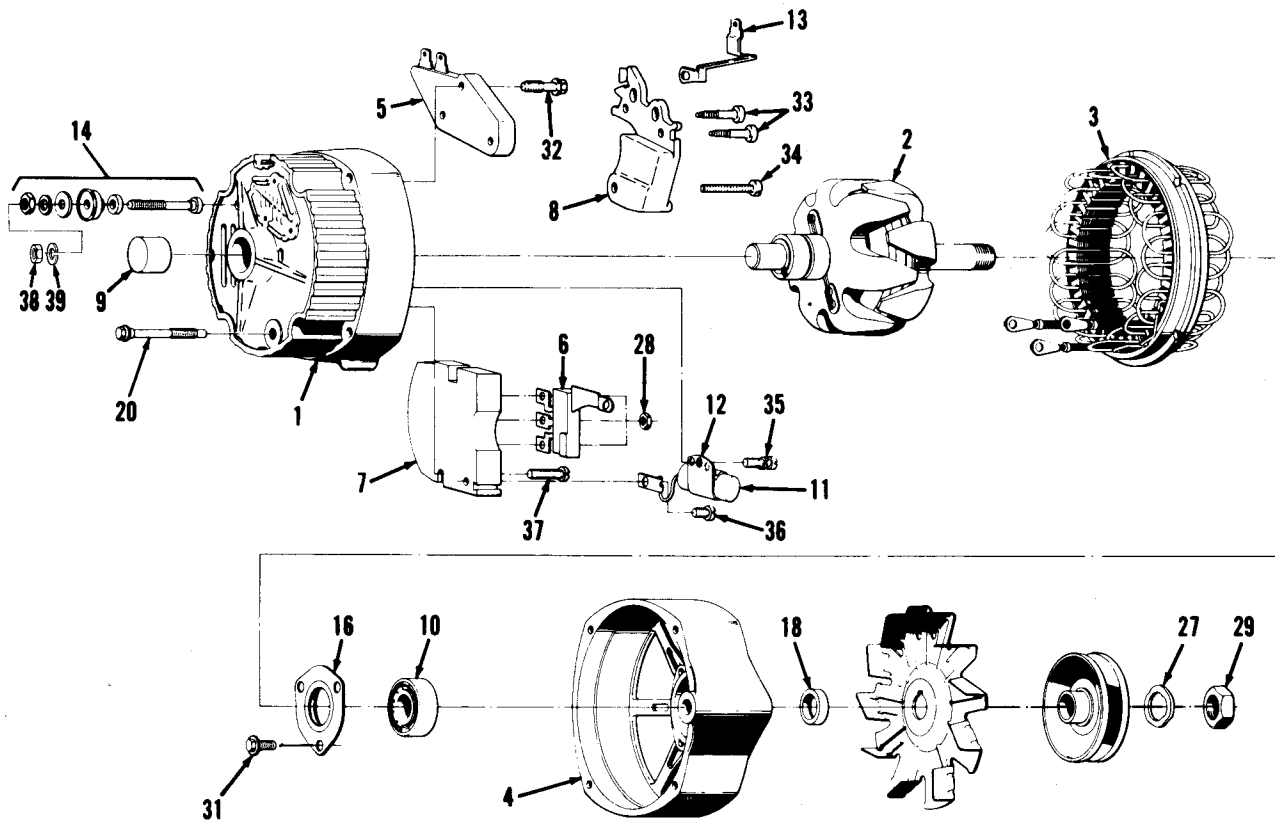
STARTER MOTOR ASSEMBLY NO. 36-2650

Ref. No.	Part No.	Description	No. Used
1	1974157	Frame	1
2	1906945	Brushes	4
3	1940477	Holder (Ground)	2
4	1926618	Holder (Insulated)	2
5	1926622	Springs (Brush)	2
6	1928015	Support (Package)	2
7	1960864	Lead (Ground)	2
8	1974183	Field Coil Assembly	1
10	1971568	Armature	1
12	1875687	Drive Assembly	1
13	1927849	Collar Stop	1
14	1927848	Ring -- Retainer	1
15	1927850	Collar Thrust	1
16	1970297	Housing Drive (Incl. Ref. #39)	1
17	1114458	Switch	1
18	1958679	Spring (Plunger)	1
19	1941113	Plunger	1
20	1951567	Lever Shift	1
21	1894321	Pin -- Lever	1
22	1932197	Stud Lever	1
23	453435	Washer -- Lock (Brush Holder)	4
26	9421424	Washer -- Lock (Lever Stud)	1

Ref. No.	Part No.	Description	No. Used
27	9421423	Washer -- Lock (Switch)	2
28	120361	Nut -- Brush Holder	4
29	1926640	Nut -- Shift Lever	1
30	443527	Screw -- Brush	2
31	274738	Screw -- Brush Holder	4
32	9427815	Screw Field Lead	1
34	1968396	Screw -- Pole Shoe	4
35	9413260	Screw -- Switch Attaching	2
36	818265	Washer (Leather)	1
37	1939970	Bolt	2
39	1932190	Bushing	1
40	1893370	Grommet	1
41	1927853	Insulator (Field Coil)	4
42	1966923	Pin -- Brush Holder	2
43	809593	Pin Dowel	1
44	1931129	Shoe -- Pole	4
‡45	3217-25	Nut	1
‡46	3255-20	Washer	1
‡47	3218-3	Jam Nut	1
‡48	3255-9	Washer	1
‡	36-2650	Starter Motor Complete (Delco-Remy No. 1109099)	1

‡ Obtain part from Toro Distributor

Obtain other parts from local GM, Chevrolet Dealer, or Delco-Remy Dealer.



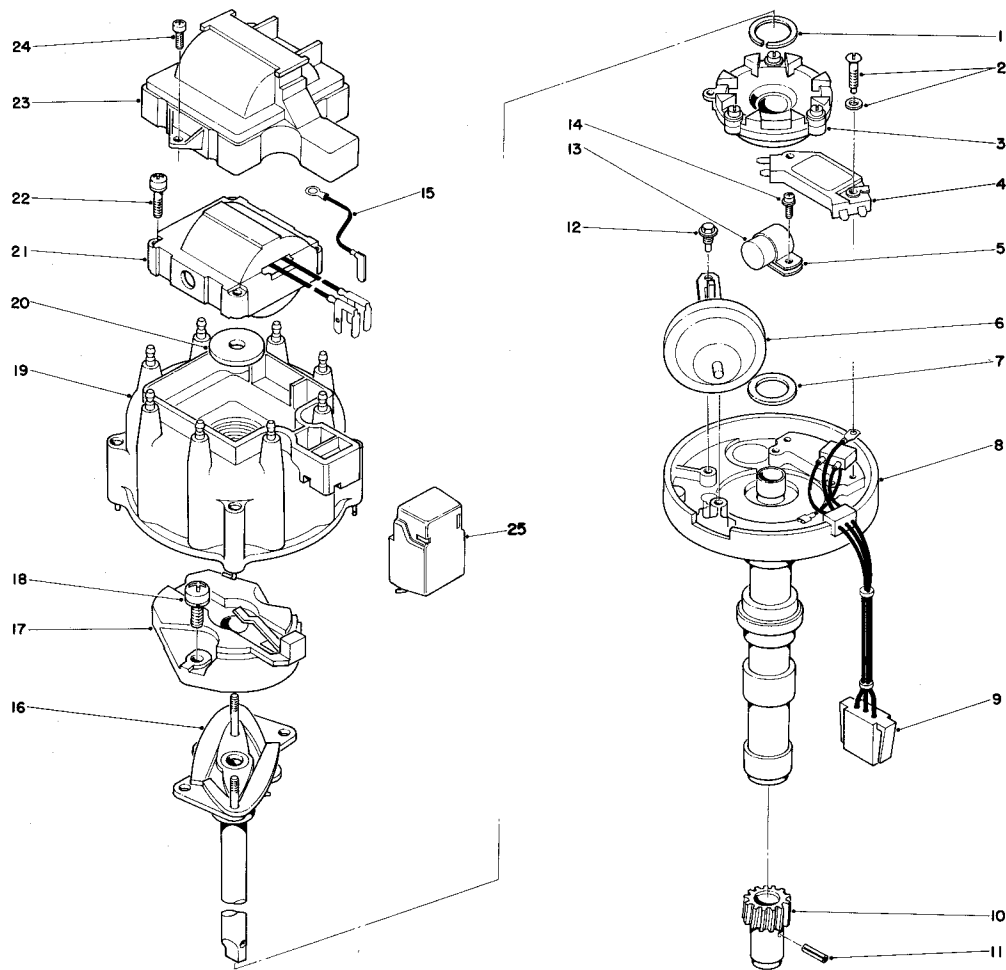
42 AMP. ALTERNATOR ASSEMBLY NO. 39-7370

Ref. No.	Part No.	Description	No. Used
1	1975718	S.R.E. Frame (Incl. Ref. #9-14)	1
2	1876163	Rotor Assembly	1
3	1894594	Stator Assembly	1
4	1976808	Frame D.E.	1
5	116392	Regulator	1
6	1971528	Diode Trio	1
7	1891055	Rectifier Bridge	1
8	1894559	Brush Holder & Brush Ass'y.	1
9	1974862	Roller Bearing - S.R.E.	1
10	1974861	Ball Bearing D.E.	1
11	1971411	Capacitor	1
12	1869573	Bracket - Capacitor	1
13	1894568	Terminal - Relay	1
14	1975471	Terminal Package	1
16	1971933	Plate - Ball Bearing Retainer - D.E.	1
18	1976138	Collar - Shaft Outside - D.E.	1
20	1956975	Bolt Thru	4

Ref. No.	Part No.	Description	No. Used
27	1941978	Lockwasher Shaft Nut D.E.	1
28	120622	Nut-Rectifier Bridge	3
29	1915172	Nut-Shaft D.E.	1
31	1965104	Screw-Bearing Retainer	3
32	1894586	Screw & Washer - Brush Holder Attaching (Ground)	1
33	1876681	Screw Assy. - Brush Holder Attaching (Insulated)	2
34	1974020	Screw - Brush Holder Attaching Pivot	1
35	1851612	Screw Capacitor Bracket	1
36	1851612	Screw - Capacitor Lead Attaching	1
37	1876668	Screw & Washer - Rectifier Bridge Attaching	1
‡38	39-7530	Nut	1
‡39	3254-8	Lockwasher	1
‡	39-7370	42 AMP. Alternator Complete	1

‡Obtain from local Toro Distributor.

20 Obtain all other parts from your local GM, Chevrolet Dealer, or Delco-Remy Dealer.



DISTRIBUTOR ASSEMBLY

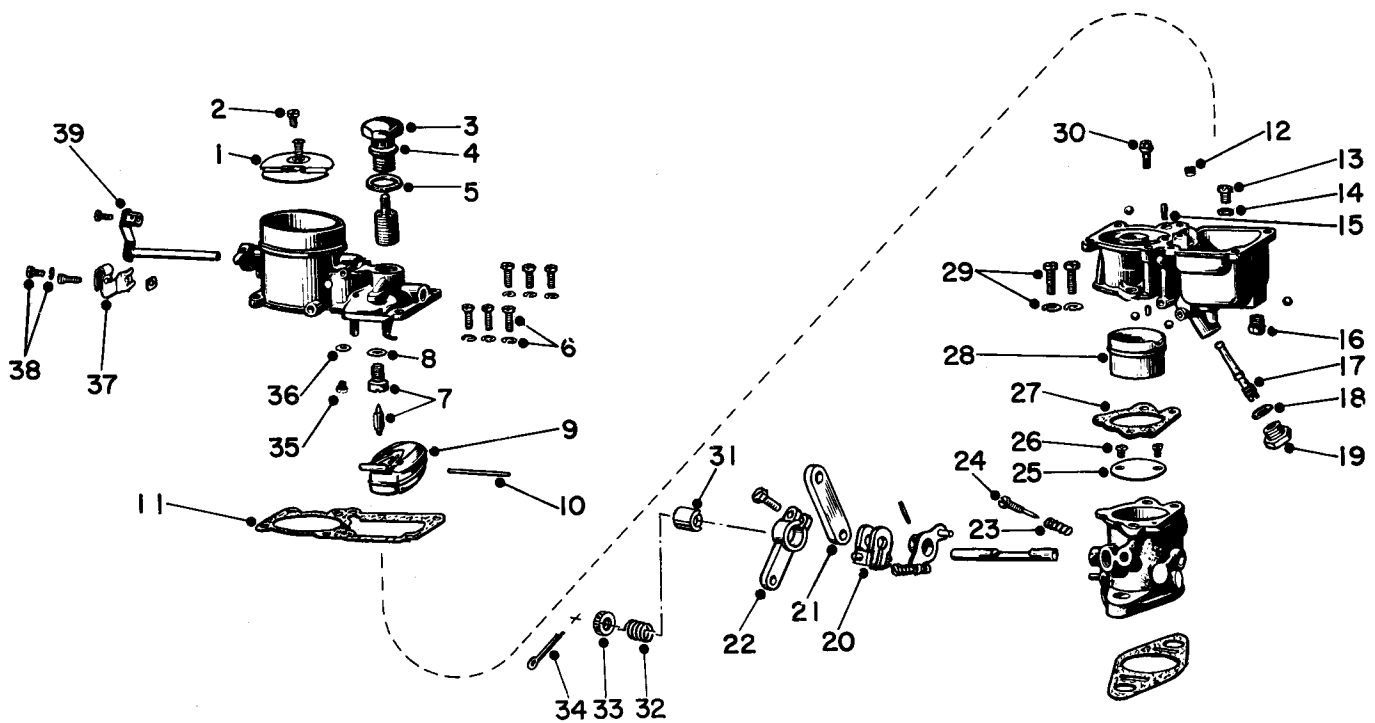
Ref. No.	Part No.	Description	No. Used
1	830446	Retainer—Pole PC & Plate (Ring)	1
2	1891234	Screw & Lockwasher — Module Attaching	1
3	1880040	Pole PC & Plate	1
4	1875990	Module	1
5	1869573	Capacitor Bracket	1
†6	1973627	Control Vacuum	1
7	1950569	Seal — Dist. Housing	1
8	1893923	Housing (Incl. Ref. #7)	1
9	1974244	Harness (Incl. Ref. #5 & 13)	1
10	1862052	Gear	1
11	1893808	Pin Gear Attaching	1
12	454408	Screw Vac Control Attaching	1
13	1876154	Capacitor	1
14	1876639	Screw & Lockwasher — Capacitor Bracket Attaching	1
15	1894868	Lead Ground	1
16	1894352	Shaft & Assembly (Incl. Ref. #17 & 18)	1

Ref. No.	Part No.	Description	No. Used
17	1893518	Rotor (Incl. Ref. #18)	1
18	1875948	Screw & Lockwasher — Rotor Attaching	1
19	1894979	Cap	1
20	1875962	Seal — Under Ign. Coil	1
21	1875894	Coil Assembly	1
22	1875961	Screw & Lockwasher — Ign. Coil Attaching	1
23	1894209	Cover Cap	1
24	1876153	Screw — Dist. Cap Cover Attaching	1
25	465952	Shield — Dist. Splash	1
*	1875967	Brush — Resistor in Cap	1
*	273648	Pin-Spring — Lower Shaft Extension	1
*	1893524	Shaft — Lower Extension	1
**	1110717	Distributor Assembly	1

*Not Illustrated.

†Service by complete replacement. Obtain from local GM, Chevrolet, or Delco-Remy Dealer.

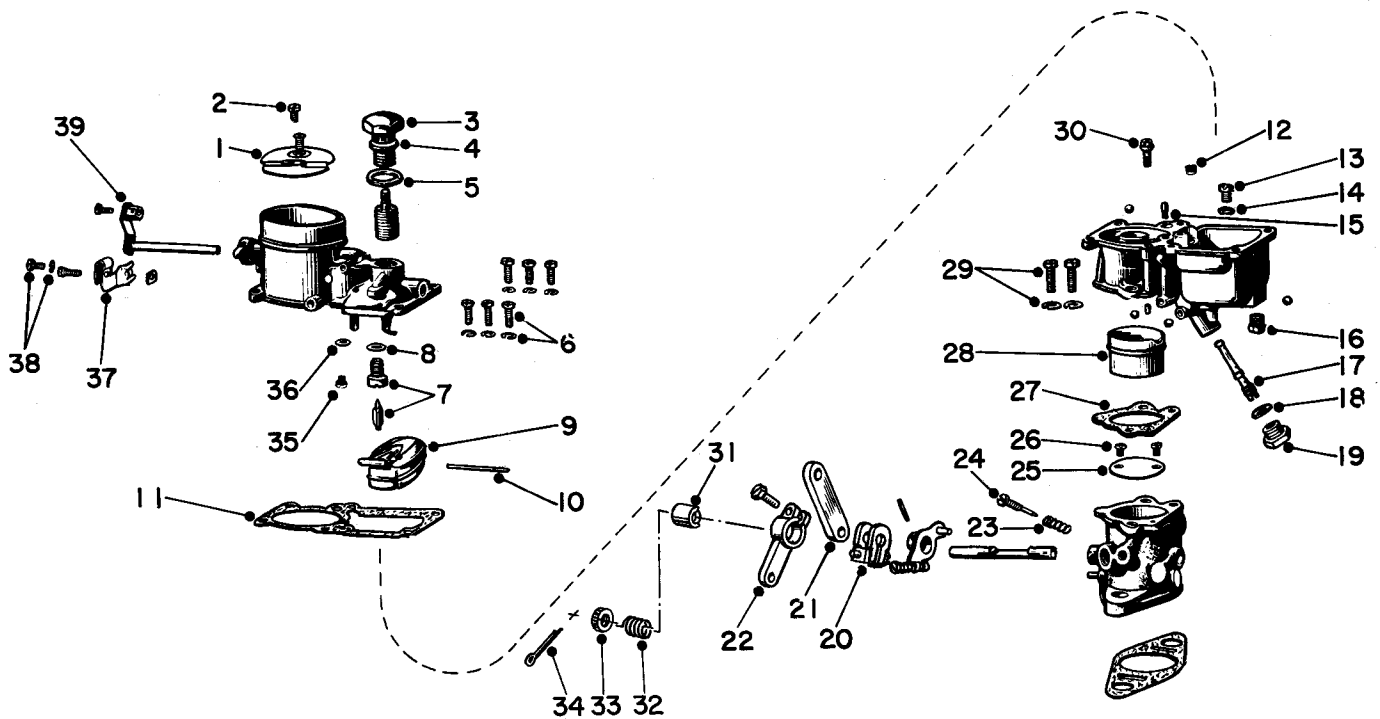
**Obtain from local GM, Chevrolet or Delco-Remy Dealer.



CARBURETOR ASSEMBLY 18-0740

Ref. No.	Part No.	Description	No. Used
1	18-4770	Plate Assy. (Incl. Ref. #2)	1
		Plate	1
		Air Shutter	1
		Valve Stem	1
		Spring	1
		Spring Return	1
		2	18-4780
3	18-4790	Filter Head Assembly (Incl. Ref. #4, 5, 35 & 36)	1
		Stud & Bottom Washer Assy.	1
		Element Stud	1
		Bottom Washer	1
		Element Disc	150
		Head Washer	1
4	18-4800	Filter Head	1
5	18-4810	Washer	1
6	18-4870	Screw & Lockwasher	6
7	18-5100	Fuel Valve & Seat Assy. (Incl. Ref. #9)	1
		Fuel Valve	1
		Fuel Valve Seat	1
8	18-4900	Washer	1
9	18-4840	Float Assembly (Incl. Ref. # 10, 11 & 6)	1
		Float Axle	1
10		Float Axle	1
11	18-4860	Intake Gasket	1
12	18-5230	Plug - Power Jet Valve	1

Ref. No.	Part No.	Description	No. Used
13	18-5060	Main Jet	1
14	18-5070	Washer	1
15	18-5090	Well Vent	1
16	18-4880	Pipe Plug	1
17	18-5220	Discharge Jet	1
18	18-4900	Fibre Washer	1
19	18-4890	Lower Plug	1
20	18-4970	Floating Lever Stop Assembly	1
		Floating Lever Stop	1
		Screw #10-32	1
		Washer	1
		Nut #10-32	1
21	18-4980	Floating Lever	1
22	18-4930	Clamp Lever Assembly	1
		Clamp Lever	1
		Screw #10-32	1
23	18-5040	Spring	1
24	18-5030	Idle Adjustment Needle	1
25	18-4940	Plate	1
26	18-4950	Retaining Screw	2
27	18-4910	Bowl Gasket	1
28	18-5050	Venturi	1
29	18-4920	Screw & Lockwasher	2
30	18-5080	Idle Jet	1
31	18-4990	Driver Bushing	1
32	18-5000	Return Spring	1
33	18-5010	Spring Retainer	1

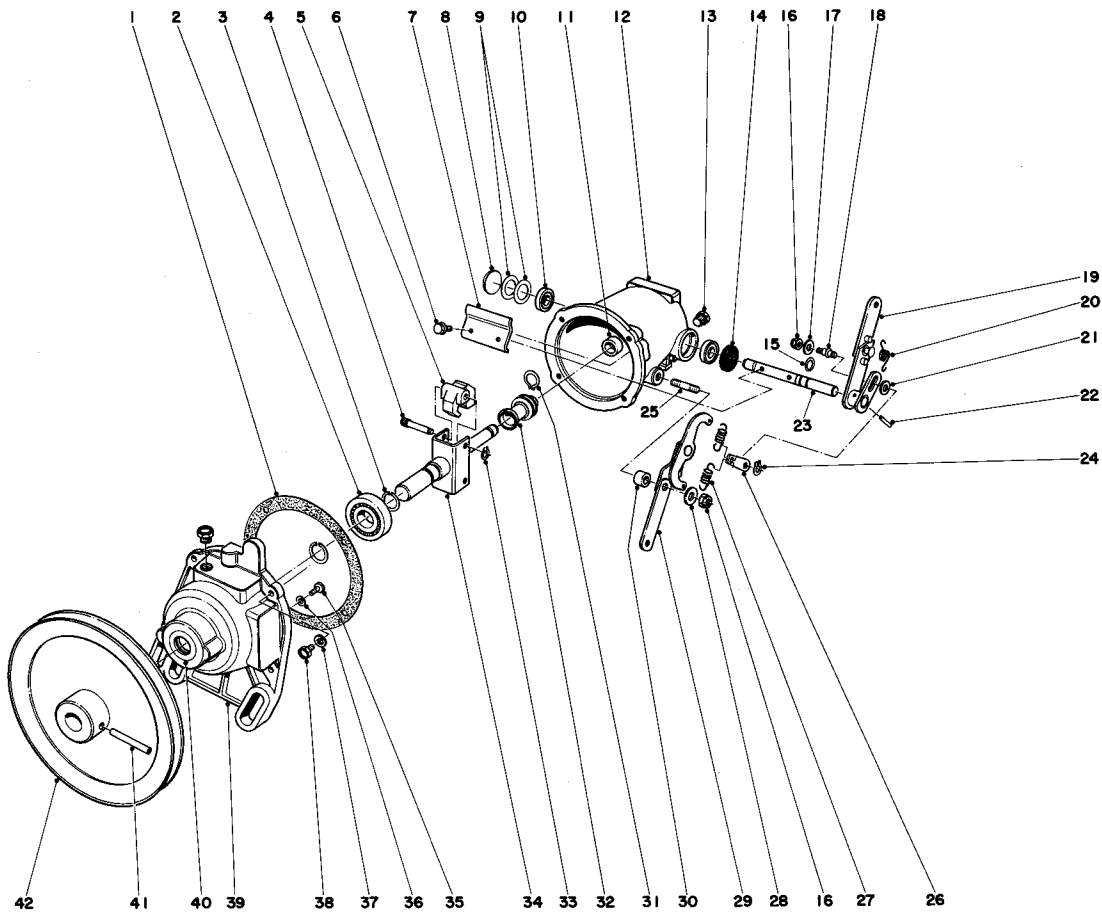


CARBURETOR ASSEMBLY 18-0740 (Continued)

Ref. No.	Part No.	Description	No. Used
34	18-5020	Cotter Pin	1
35	18-4820	Plug - 1/4-24 (Vac Piston)	1
36	18-4830	Washer	1
37	18-4750	Bracket Assy. (Incl. Ref. #38)	1
		Bracket	1
		Screw #6-32	1
		Nut #6-32	1
38	18-4760	Screw & Lockwasher #8-36	1
39	18-4740	Shaft & Lever Assembly	1
		Shaft	1
		Lever & Swivel Assembly	1
		Lever	1
		Swivel	1
		Screw #8-36	1
*	18-0740	Carburetor (Complete)	1
*	18-5110	Throttle Shaft & Lever Assy.	A/R
		Shaft	1
		Shaft Pin	1
		Stop Lever Assembly	1
		Stop Lever	1
		Lever Bushing	1
		Screw #8-36	1
		Retaining Pin	1
*	18-5120	Gasket Set	A/R
	18-4810	Washer	1
	18-4830	Washer	1
	18-4860	Intake Gasket	1
	18-4900	Fibre Washer	2

Ref. No.	Part No.	Description	No. Used
	18-4910	Bowl Gasket	1
	18-5070	Washer	1
*	38-9540	Carburetor Kit	A/R
	18-4780	Screw #6-32	1
	18-4810	Washer	1
	18-4830	Washer	1
	18-4860	Intake Gasket	1
	18-4900	Fibre Washer	1
	18-4910	Bowl Gasket	1
	18-4950	Retaining Screw	2
	18-5030	Idle Adjustment Needle	1
	18-5070	Washer	1
		F.V. Seat Assembly	1
		Valve Assembly	2
		Steel Ball	1
		Screw	2
		Clip	1
		Gasket	1
		Pump	1
		Cylinder Assembly	1
		Washer	1
		Washer	1
		Gasket	1
		Gasket	1
		Gasket	1
		Washer	1
†	24-5640	Adj. High Speed Jet Assembly	1

*Not Illustrated
†Optional Equipment



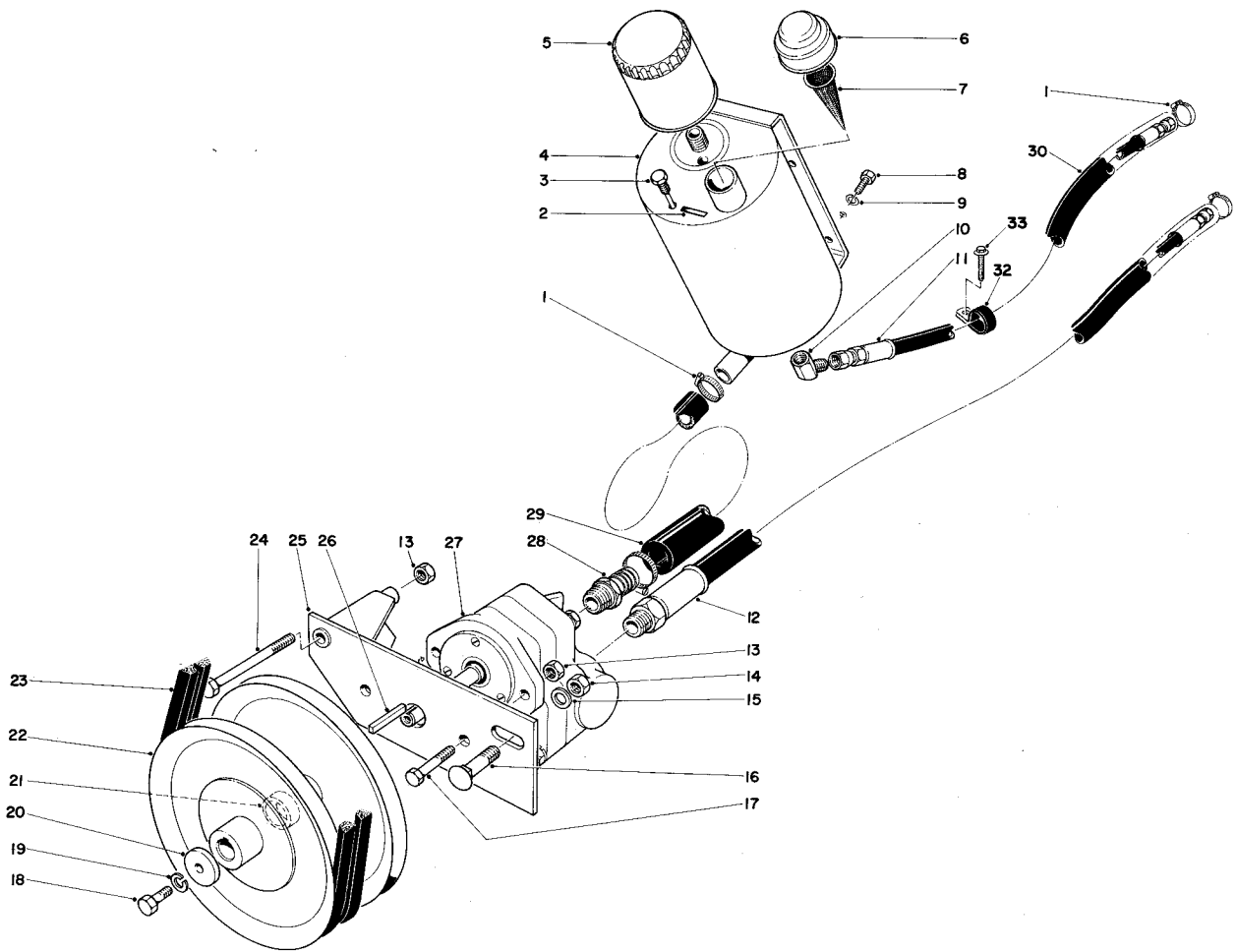
GOVERNOR ASSEMBLY NO. 18-1700

Ref. No.	Part No.	Description	No. Used
1	18-5790	Gasket	1
2	18-5570	Front Main Bearing	1
3	18-5640	Bearing Retainer	2
4	18-5660	Pivot Pin	2
5	18-5650	Flyweight	2
6	18-5530	Screw	2
7	18-5520	Rocker Lever	1
8	18-5430	Expansion Plug	1
9	18-5440	Spacer	2
10	18-5450	Bearing	2
11	18-5500	Main Bearing (Rear)	1
†12		Body	1
13	18-5510	Oil Plug	2
14	18-5480	Oil Seal	1
15	18-5470	Bearing Retainer	2
16	18-5760	Nut	2
17	18-5740	Washer	1
18	18-5730	Adjusting Pin	1
19	18-5420	Throttle Lever	1
20	18-5410	Torsion Spring	1
21	18-5720	Spacer	1
22	18-5750	Pin	1

Ref. No.	Part No.	Description	No. Used
23	18-5460	Rocker Shaft	1
24	18-5710	Retainer	1
25	18-5700	Stud	1
26	18-5400	Link	1
27	18-5390	Governor Spring	2
28	3256-16	Washer	1
29	18-5380	Variable Speed Lever	1
30	18-5690	Bushing	1
31	18-5540	Retainer	2
32	18-5550	Thrust, Sleeve & Bearing Ass'y.	1
33	18-5670	Retainer	2
34	18-5560	Main Shaft & Carrier Ass'y.	1
35	18-5780	Screw	2
36	18-5770	Lockwasher	2
37	18-5630	Lockwasher	4
38	18-5620	Screw	4
39	18-5590	Cover	1
40	18-5580	Oil Seal	1
41	18-5600	Pin	1
42	18-5610	Pulley	1
*	18-1700	Governor Assembly Complete	1

*Not Illustrated

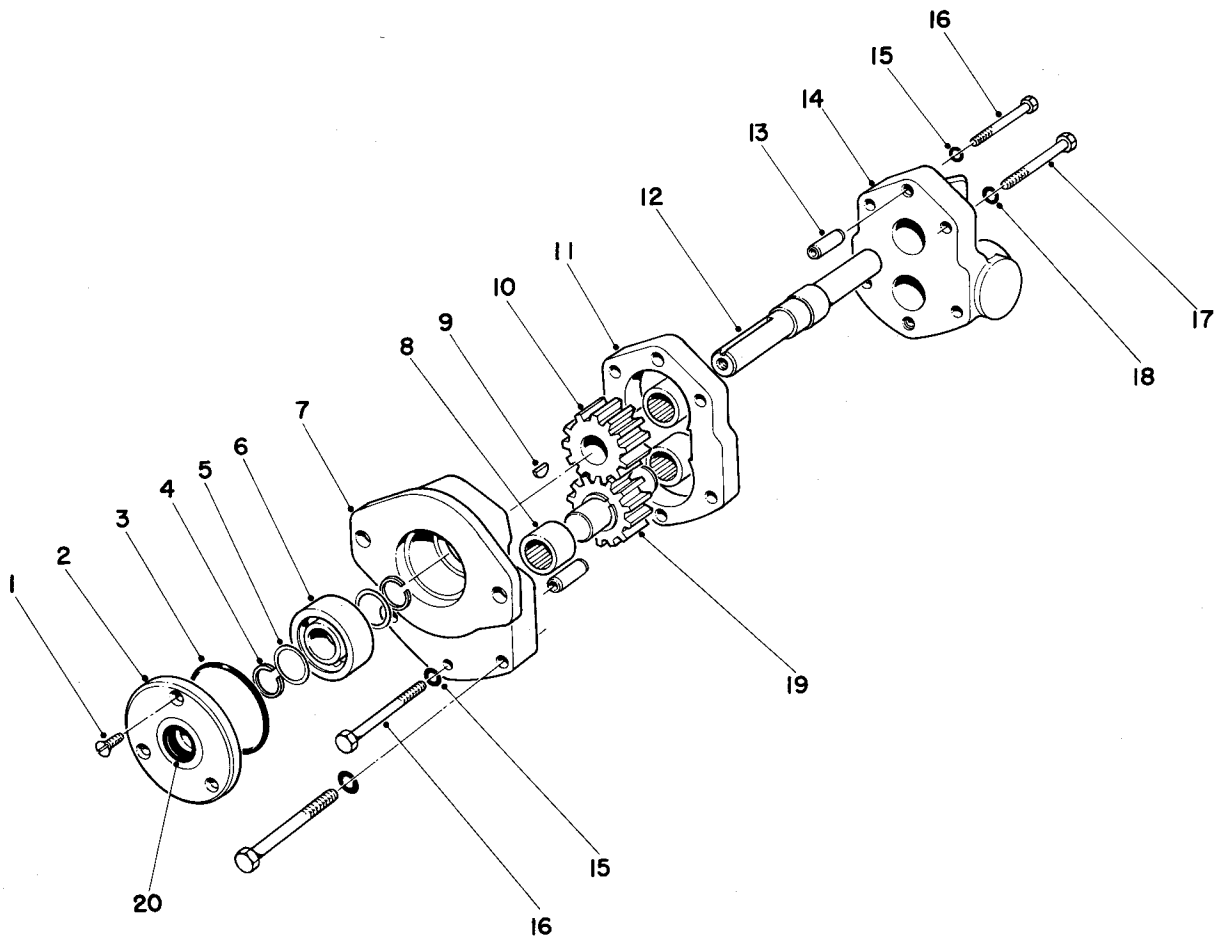
†Part only available by ordering 18-1700 Governor Assembly



HYDRAULIC PUMP AND RESERVOIR

Ref. No.	Part No.	Description	No. Used
1	2412-3	Hose Clamp	4
2	3-1553	Decal	1
3	18-2980	Dipstick	1
4	18-2250	Hydraulic Reservoir	1
5	18-4360	Oil Filter (AC #PF-28)	1
6	353-119	Filler Cap	1
7	3-2197	Filler Screen	1
8	32104-6	Self-Tapping Screw	4
9	3253-21	Lockwasher	4
10	353-434	Fitting	1
11	28-9010	Return Hose (47 Lg.)	1
12	36-2480	Pressure Hose (102" Lg.)	1
13	32146-2	Locknut	3
14	32146-13	Locknut	1
15	3256-26	Flatwasher	1
16	3233-1	Carriage Bolt	1

Ref. No.	Part No.	Description	No. Used
17	323-8	Capscrew	2
18	3210-4	Capscrew	1
19	3253-4	Lockwasher	1
20	3-8158	Spacer	1
21	18-8550	Spacer	1
22	18-1990	Pulley	2
23	18-8450	V-Belt (Matched Set)	1
24	323-16	Capscrew	1
25	18-2550	Pump Mount	1
26	6-8590	Square Key	1
27	18-8440	Hydraulic Pump	1
28	3-7195	Coupling	1
29	18-2350	Suction Hose	1
30	28-9020	Sleeve Hose Protection	2
32	2412-64	Clamp Hose	2
33	11-0590	Screw	1

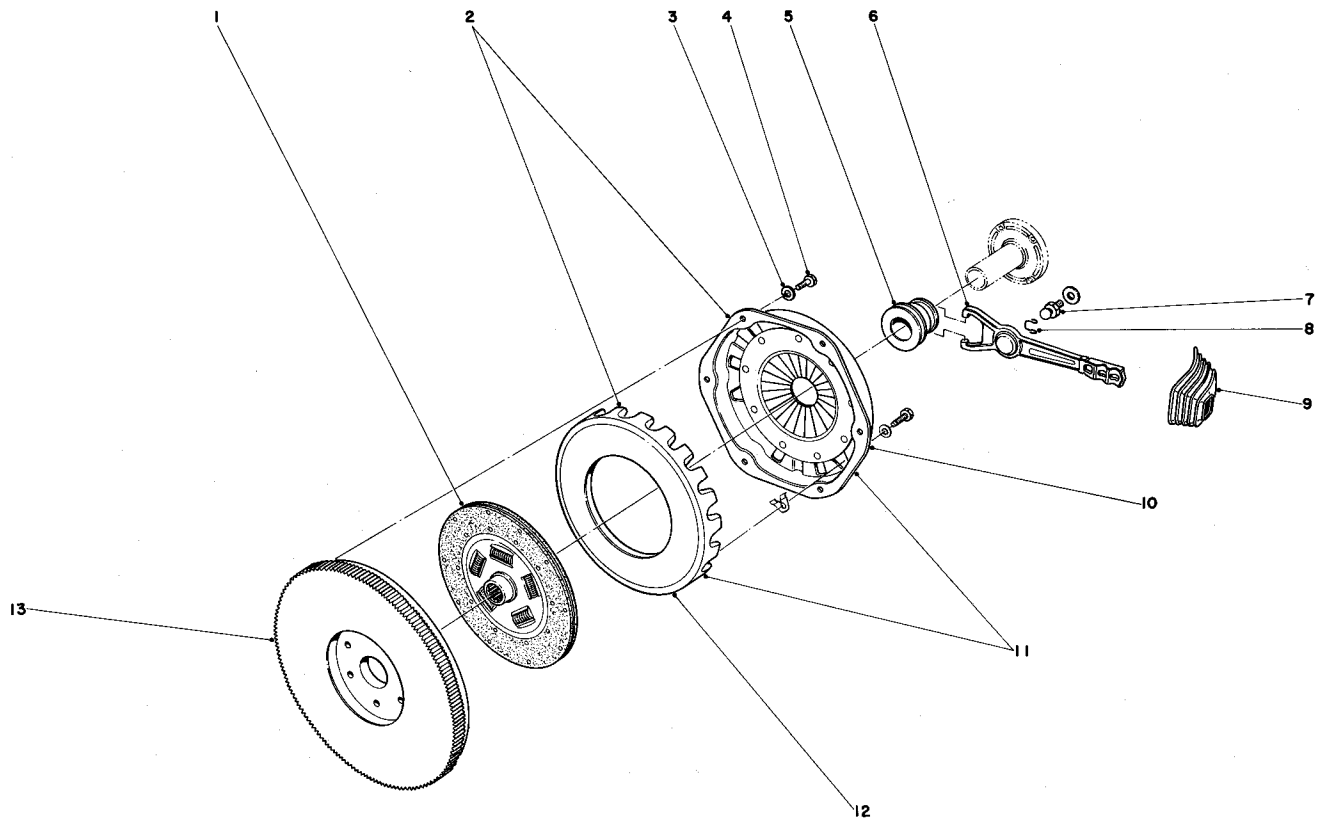


HYDRAULIC PUMP NO. 18-8440

Ref. No.	Part No.	Description	No. Used
1	18-8460	Screw	3
2	18-8500	Pilot Plate	1
3	24-7260	"O" Ring	1
4	24-7280	Retaining Ring	2
5	24-7270	Washer	2
6	24-7070	Ball Bearing	1
7	24-7080	Body (Incl. Ref. #8)	1
8	24-7100	Needle Bearing	3
9	24-7120	Woodruff Key	1
10	24-7110	Drive Gear	1
11	24-7200	Gear Plate	1

Ref. No.	Part No.	Description	No. Used
12	18-8490	Drive Shaft	1
13	24-7190	Dowel Pin	2
14	24-7130	Pump Cover (Incl. Ref. #8)	1
15	3253-3	Lockwasher	2
16	24-7160	Capscrew	2
17	322-10	Capscrew	6
18	3253-4	Lockwasher	6
19	24-7210	Idler Gear	1
20	24-7300	Oil Seal	1
*	18-8440	Hydraulic Pump Complete	1

*Not Illustrated



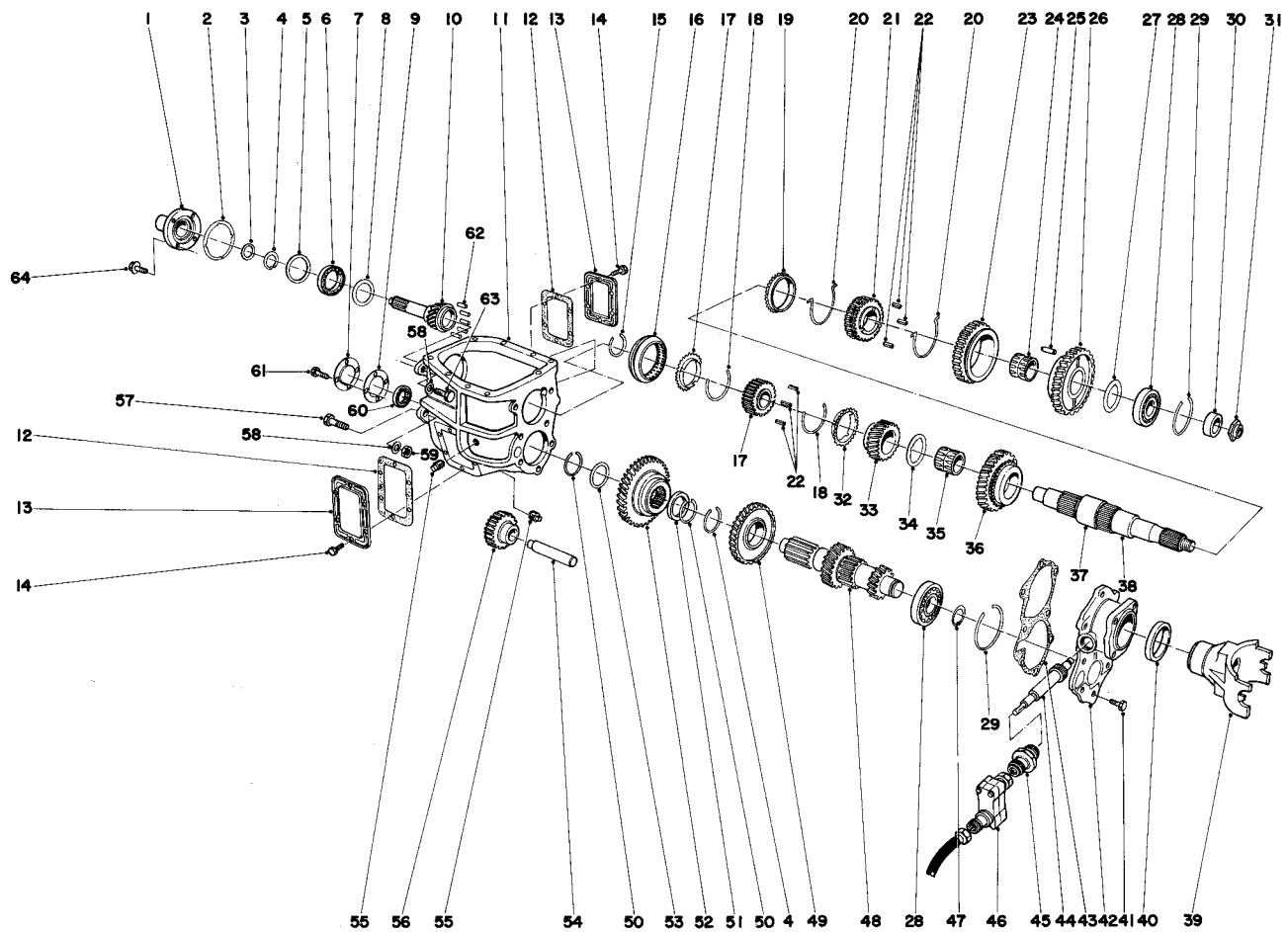
CLUTCH ASSEMBLY

Ref. No.	Part No.	Description	No. Used
1	3828848	Clutch Plate	1
2	3962052	Cover & Plate Assembly (Incl. Ref. #10-16)	1
3	120382	Lockwasher	6
4	838653	Screw	6
*5	39-3810	Clutch Release Bearing	1
6	3765372	Fork Ass'y. (Incl. Ref. #8)	1
7	3725240	Stud	1
8	838987	Ball Retainer Spring	1

Ref. No.	Part No.	Description	No. Used
9	3765360	Boot	1
10		Cover Assembly	1
11	3962052	Cover & Plate Assembly	1
12		Clutch Pressure Plate	1
13	3998281	Flywheel Assembly	1
**14		Clutch Cover Bolt	3
**15		Clutch Cover Washer	3
**16		Pressure Plate Return Spring	3

*Obtain from Toro Distributor. Obtain all other parts from GM Chevrolet Dealer.

**Not Illustrated



TRANSMISSION ASSEMBLY NO. 36-9320

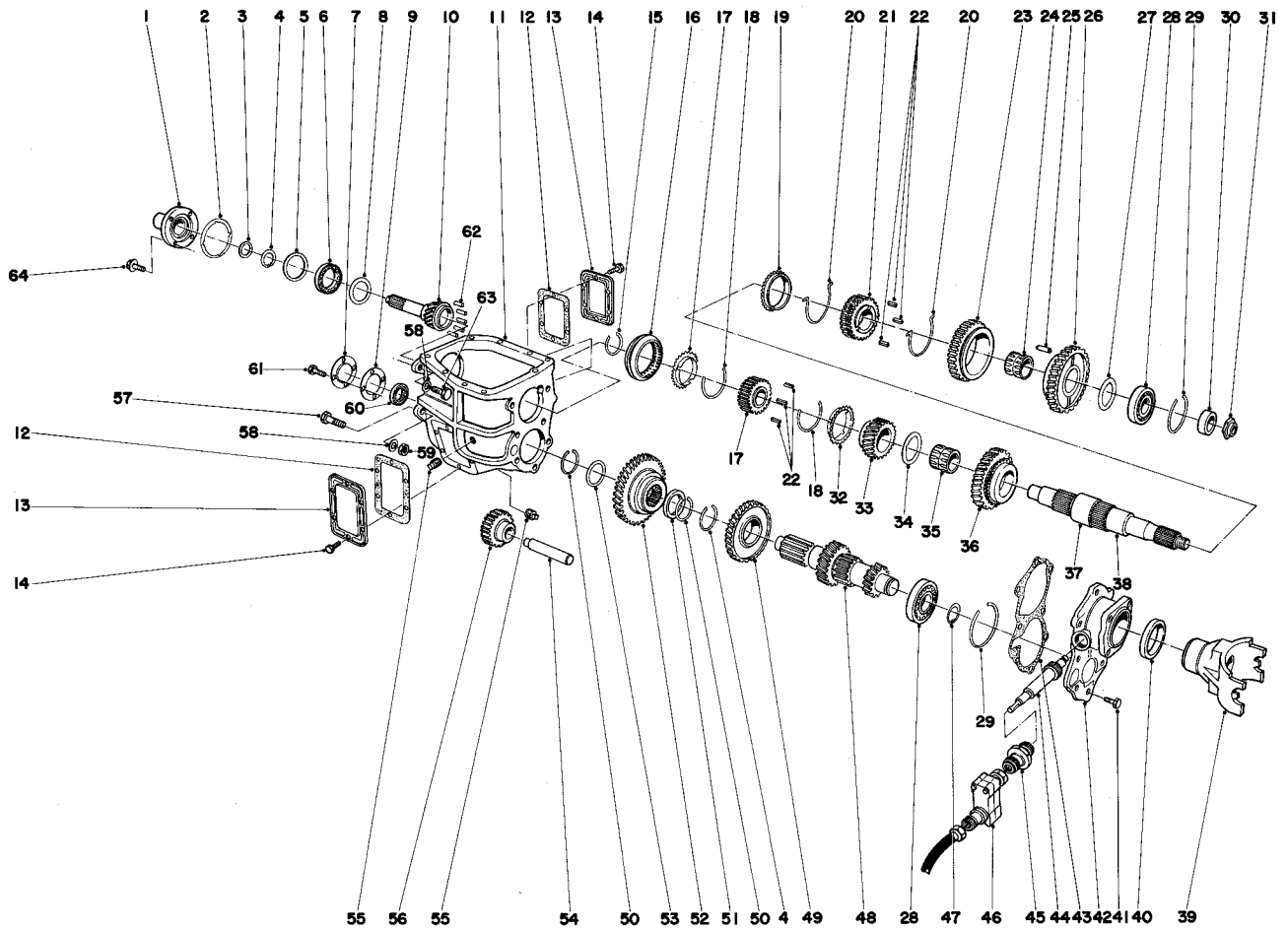
Ref. No.	Part No.	Description	No. Used
1	3901178	Retainer Pilot Gear	1
2	3930800	Gasket	1
3	3987937	Seal	1
4	3901152	Ring Retaining	2
5	3866655	Ring	1
6	907993	Bearing	1
7	3866347	Cap	1
8	3901177	Slinger	1
9	3866348	Gasket	1
10	3901175	Gear - Clutch	1
11	465453	Case With Plugs	1
12	6273214	Gasket - Power Take-Off	2
13	6273213	Cover - Power Take-Off	2
14	3905486	Bolt - Power Take-Off Cover	12
15	3901166	Ring	1
16	3901165	Clutch	1
17	3901164	Hub	1
18	3866359	Spring	2
19	3950367	Cone	1
20	3866646	Spring	2
21	3946776	Hub	1
22	3866358	Key	6
23	3901170	Gear	1

Ref. No.	Part No.	Description	No. Used
24	465455	Bushing	1
25	456587	Pin	2
26	476766	Gear	1
27	465450	Thrust Washer	1
28	907474	Bearing	2
29	3830051	Ring	2
*	907474	Ring (Optional For Item #29)	2
30	3866742	Gear	1
31	3830575	Nut	1
32	3993036	Cone	2
33	3901161	Gear	1
34	3932267	Washer	1
35	3932274	Bushing	1
36	3901158	Gear	1
37	3932253	Bushing	1
38	3932265	Shaft	1
39	3915056	Universal Flange Front	1
40	3911917	Seal	1
41	3911926	Bolt	8
42	465217	Retainer	1
43	3930800	Gasket	1
44	3866917	Driven Gear	1
45††	40-9330	Sleeve Assembly	1

*Not Illustrated.

Note: Obtain from your local GM, Chevrolet Dealer.

††Obtain from your local Toro Dealer.



TRANSMISSION ASSEMBLY NO. 36-9320 (Continued)

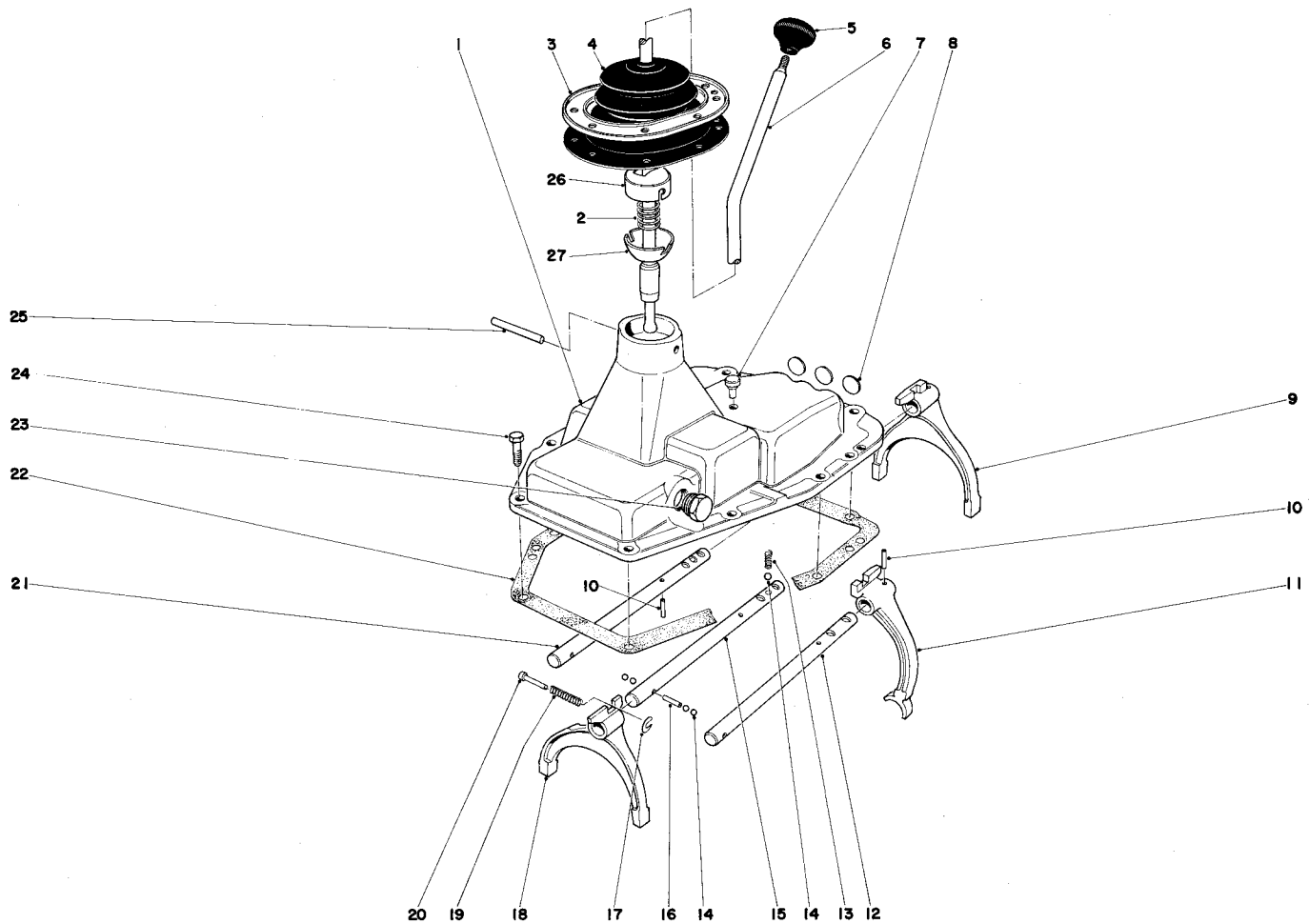
Ref. No.	Part No.	Description	No. Used
††46	36-9290	Adapter - Gear Reducer	1
47	3866346	Ring	1
48	465449	Gear	1
49	3968038	Gear	1
50	3920703	Ring	2
51	3946795	Spacer	1
52	3955570	Gear	1
53	3901153	Thrust Washer	1
54	3901144	Shaft - Rev. Idle	1
55	444746	Plug	2
*	444744	Plug (Optional For Item #55)	2

Ref. No.	Part No.	Description	No. Used
56	3901141	Gear	1
††57	325-8	Capscrew	2
††58	3253-7	Lockwasher	4
††59	3217-9	Nut	2
60	7451785	Bearing	1
61	435141	Screw	4
62	9422666	Roller Bearing	17
*	7451535	Roller Bearing (Optional For Item #62)	17
††63	325-6	Capscrew	2
64	3920784	Screw	4

*Not Illustrated.

††Obtain from your local Toro Dealer.

Obtain all other parts from your local GM, Chevrolet Dealer.

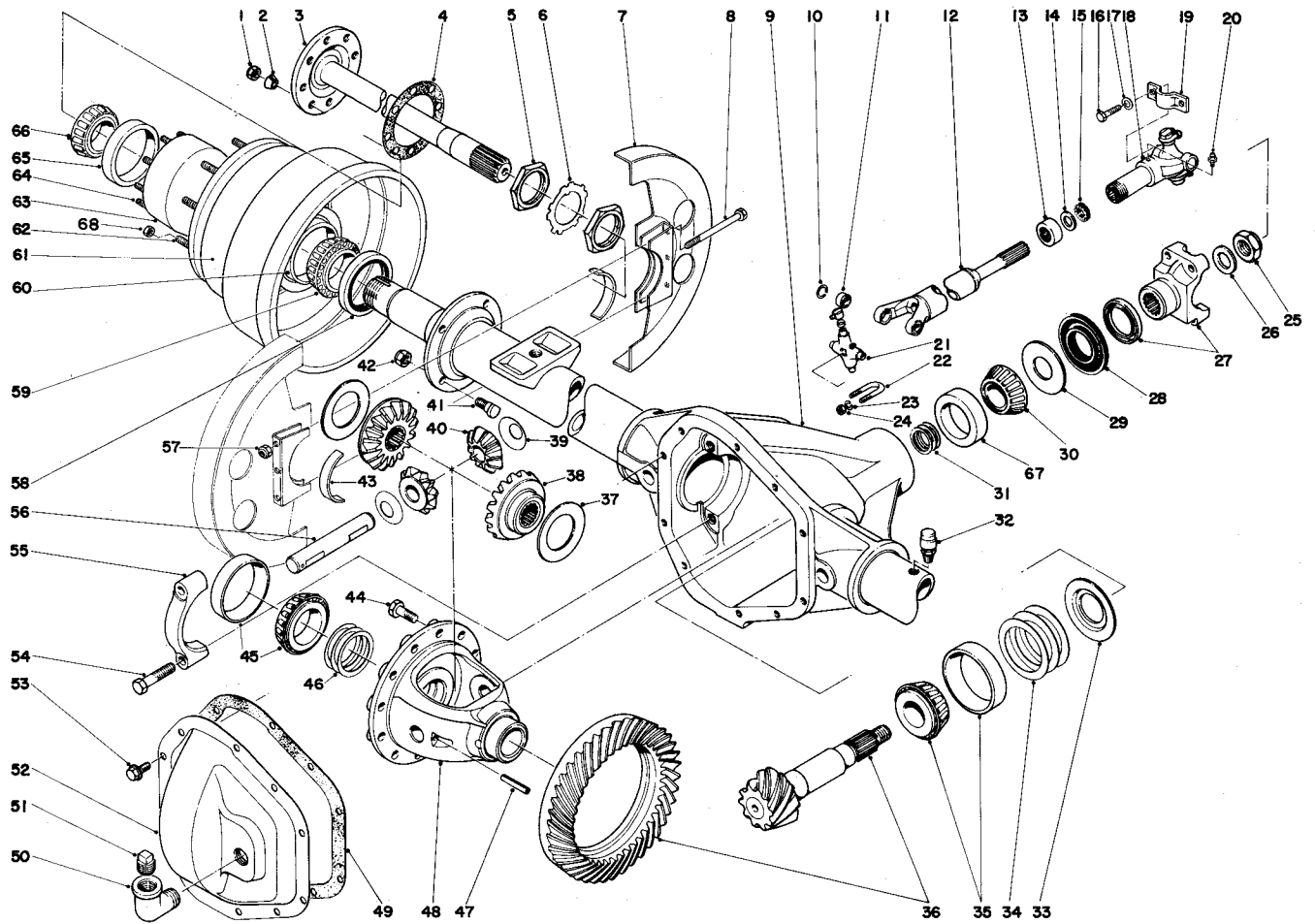


TRANSMISSION COVER

Ref. No.	Part No.	Description	No. Used
1	3952668	Cover	1
2	3683582	Spring Transmission Control	1
3	378351	Retainer - Transmission	1
4	378340	Boot Transmission	1
†5	233-10	Knob Gear Shift Lever	1
†6	36-9710	Lever Transmission Control	1
7	3820840	Ventilator Assembly	1
8	103894	Plug	3
9	3901137	Fork 1st & 2nd	1
10	273503	Pin	3
11	3978730	Fork Rev.	1
12	3901132	Shaft Rev.	1
13	551946	Spring	3
14	453593	Ball	7

Ref. No.	Part No.	Description	No. Used
15	3952669	Shaft 3rd & 4th	1
16	3901139	Pin	1
17	3727182	Retainer - Rev. Shaft	1
18	3901138	Fork 3rd & 4th	1
19	3978731	Spring	1
20	3864968	Plunger	1
21	3901133	Shaft 1st & 2nd	1
22	3901128	Gasket Transmission Cover	1
†23	36-9430	Plug - Transmission	1
24	3911926	Screw	8
25	456587	Pin	2
26	3988627	Cap Transmission Control	1
27	3988628	Cup Transmission Control	1

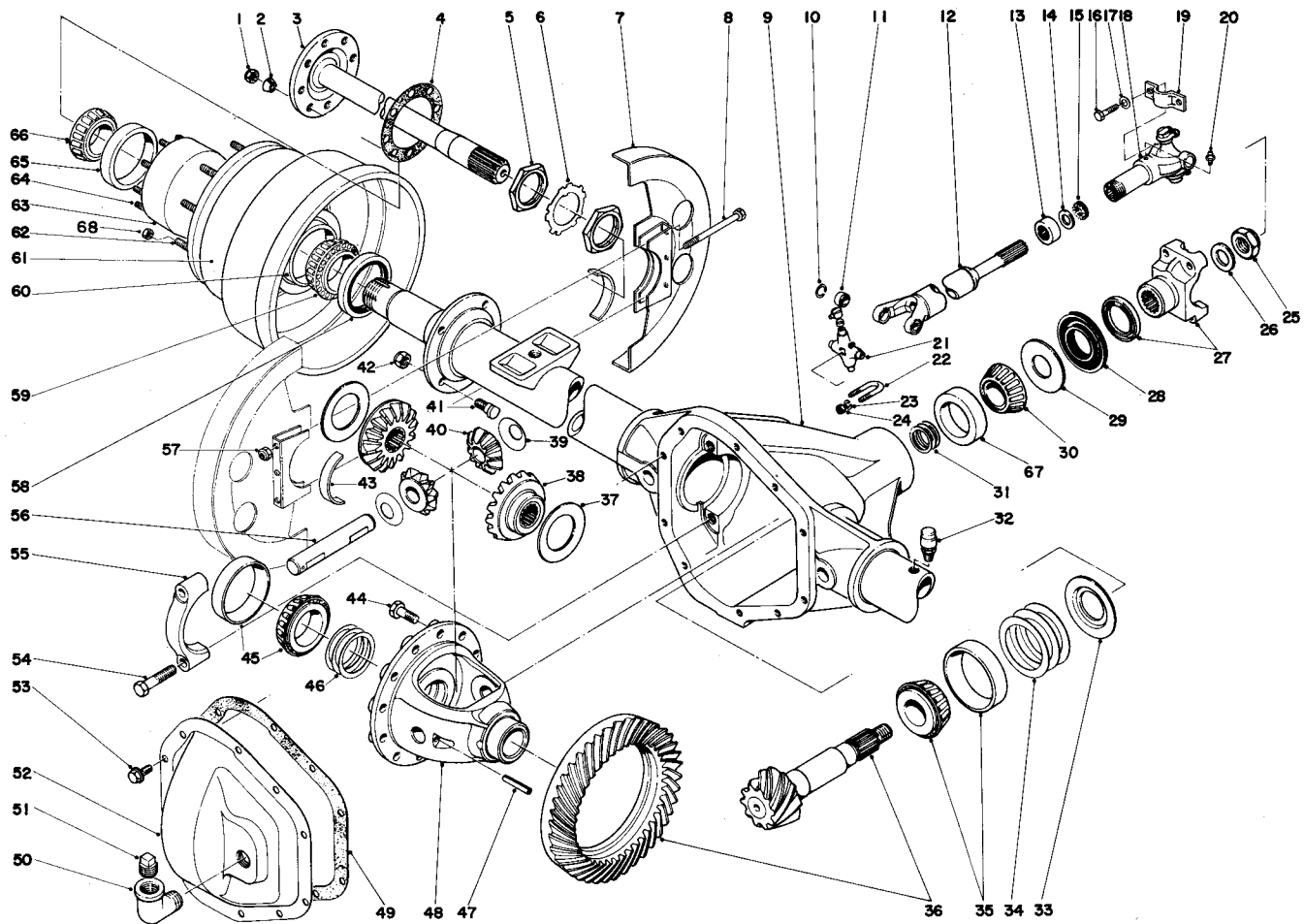
†Order from Toro. Obtain all other parts from your local GM, Chevrolet dealer.



REAR AXLE (36-9830) AND DRIVE LINE (36-9250)

Ref. No.	Part No.	Description	No. Used
1	3296-7	Locknut	16
2	19-6810	Stud Adapter	16
3	37-8640	Shaft Axle	2
4	24-8660	Gasket Drive Flange	2
5	19-6820	Nut Spindle	4
6	19-6840	Lock - Spindle Nut	2
7	38-1870	Grass Shield	4
8	321-36	Capscrew	4
9		Case Differential Assembly	1
10	18-4650	Retaining Ring	4
11		Bearing Assembly	8
12	36-9470	Shaft Assembly	1
13	18-4730	Retainer Cap	1
14	18-4710	Washer	1
15	18-4700	Felt Dust Seal	1
16	3210-8	Capscrew	4
17	3253-4	Lockwasher	4
18	18-4680	Slip Yoke	1
19	36-9400	Retainer	2
20	18-4690	Grease Fitting	1
21	18-8700	Cross Journal (Incl. Ref. #10, 11, 15 & 20)	2
22	214-229	U-Bolt	2

Ref. No.	Part No.	Description	No. Used
23	3253-21	Lockwasher	4
24	32146-6	Nut	4
25	18-9360	Nut Pinion	1
26	18-9370	Washer Pinion Nut	1
27	19-6700	End Yoke Assembly	1
28	18-9390	Seal Pinion	1
29		Slinger - Pinion Bearing	1
30	18-9410	Bearing Cone	1
31	37-8560	Pinion Bearing Shim Kit	1
32	37-7570	Vent	1
33		Baffle - Pinion Bearing	1
34	37-8550	Drive Pinion Adj. Shim Kit	1
35	37-8540	Inner Pinion Bearing Kit	1
36	37-8530	Gear, Pinion & Nut Assembly Hypoid Drive	1
37		Thrust Washer Gear	2
38		Gear Differential	2
39		Thrust Washer Pinion	2
40		Pinion Gear	2
41	19-6830	Brake Flange Bolt	8
42	3296-19	Locknut	8
43	38-2100	Shim	A/R
44	18-9340	Bolt - Drive Gear	12

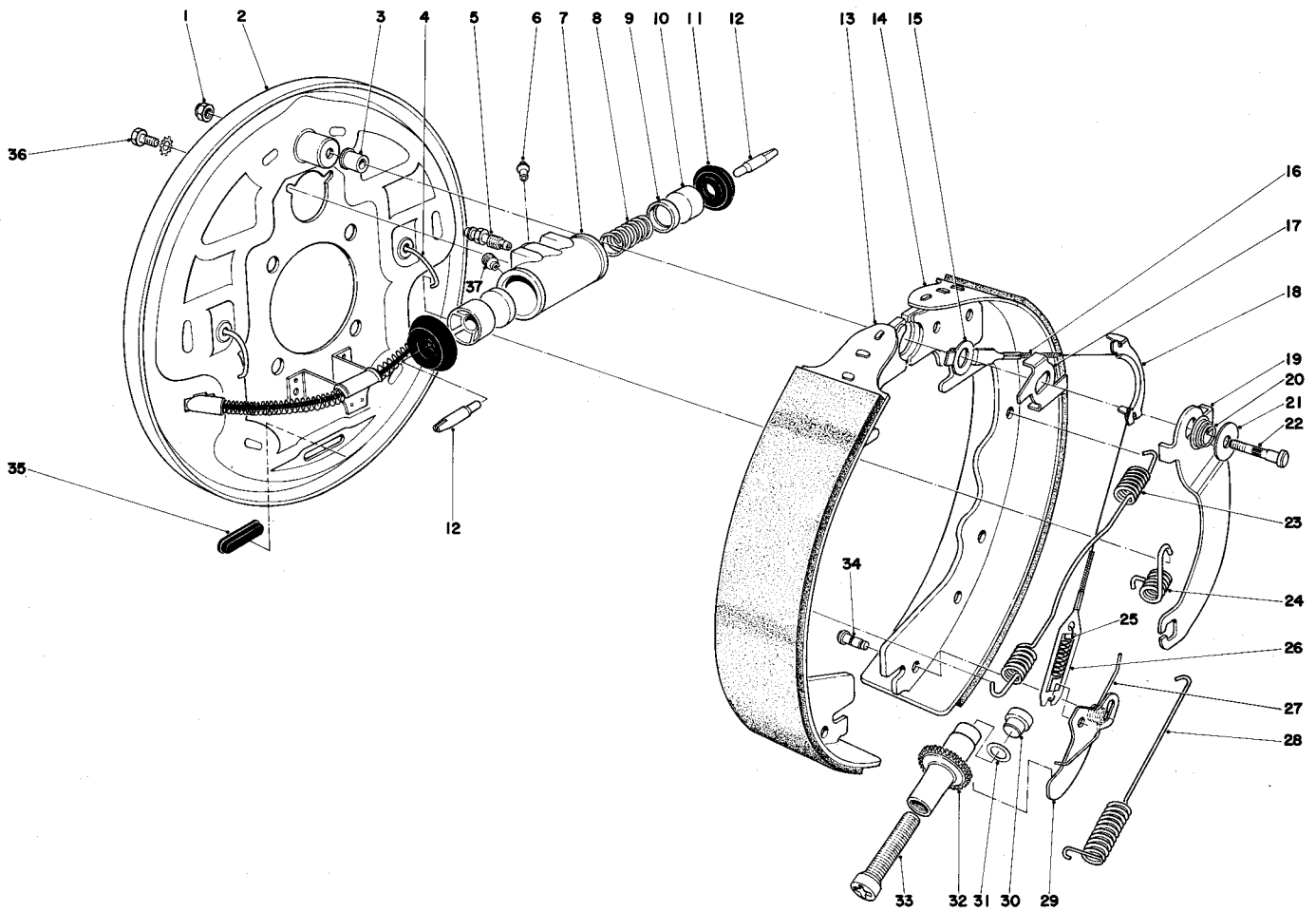


REAR AXLE (36-9830) AND DRIVE LINE (36-9250) (Continued)

Ref. No.	Part No.	Description	No. Used
45	37-8610	Differential Bearing Kit	2
46	37-8590	Differential Bearing Shim Kit	2
47	19-6630	Lock -- Differential	1
48		Case Differential	1
49	37-8580	Gasket Carrier Cover	1
50	2811-8	Street Elbow	1
51	19-7090	Pipe Plug	1
52		Gear Carrier Cover	1
53	18-9200	Bolt Carrier Cover	10
54	325-9	Differential Bearing Cap Bolt	4
55		Cap Differential Bearing	2
56		Shaft Differential	1
57	32146-17	Locknut	4
58	253-128	Oil Seal	2
59	254-98	Bearing Cone	2
60	254-100	Bearing Cup	2
61	37-8490	Wheel Drum	2
62	242-67	Wheel Bolt	16
63	37-8500	Wheel Hub	2
64	242-68	Flange Stud	16

Ref. No.	Part No.	Description	No. Used
65	254-99	Bearing Cup	2
66	254-101	Bearing Cup	2
67	18-9420	Bearing Cup	1
68	242-69	Wheel Nut	16
*	37-8520	Gear & Pinion Drive Assy. Kit (Incl. Ref. #25-26, 28-31, 33-36, 44, 46 & 49)	1
*	37-8600	Differential Case Assy. Kit (Incl. Ref. #37-40, 45, 47-48 & 56)	1
*	37-8620	Differential Parts Kit (Incl. Ref. #37-40, 44, 47, 49 & 56)	1
*	37-8630	Carrier Cover Assembly (Incl. Ref. #49 & 51-53)	1
*	18-8700	Journal & Bearing (Incl. Ref. #10, 11, 15 & 20-21)	1
*	36-9830	Rear Axle (Complete)	1
*	36-9250	Drive Line (Complete)	1

*Not Illustrated

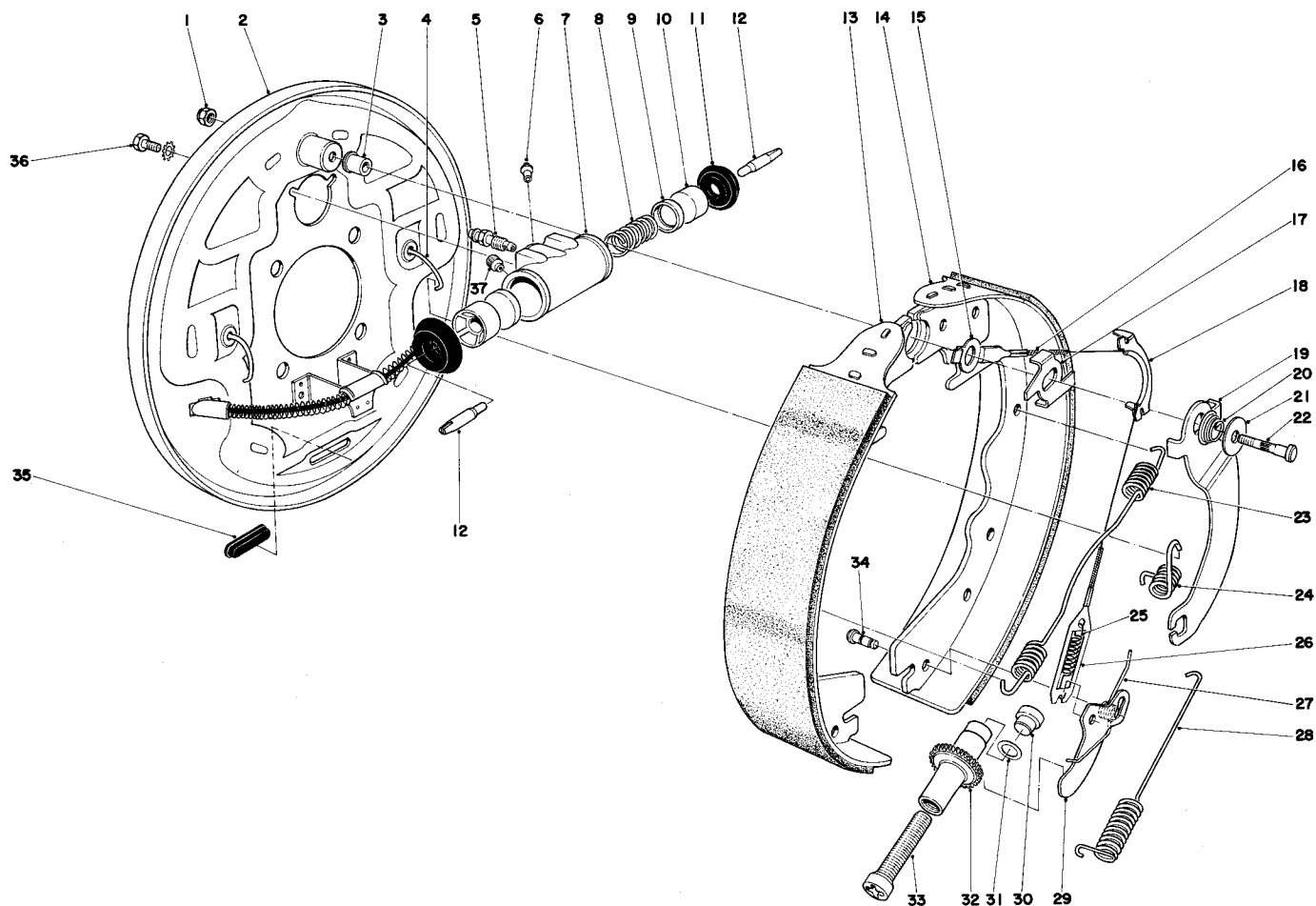


REAR BRAKE ASSEMBLY (37-1010 R.H. & 37-1020 L.H.)

Ref. No.	Part No.	Description	No. Used
1	37-3770	Locknut	2
2	37-3840	Back Plate & Guide L.H.	1
*	37-3850	Back Plate & Guide R.H.	1
3	37-3710	Bushing Anchor Post	2
4	37-3970	Pin Shoe Hold Down Spring	4
5	19-6460	Bleeder Screw	2
6	19-6450	Tube Seat Inlet	2
7	37-4040	Wheel Cylinder L.H. (Incl. Ref. #8-11)	1
*	37-4050	Wheel Cylinder R.H. (Incl. Ref. #8-11)	1
8		Spring	2
9		Cup	4
10		Piston	4
11		Boot	4
12	37-4010	Connecting Link Wheel Cylinder	4
13	37-4020	Shoe & Lining Primary Front L.H.	1
*	37-4030	Shoe & Lining Primary Front R.H.	1
14	37-3560	Shoe & Lining Secondary Rear L.H.	1

Ref. No.	Part No.	Description	No. Used
*	37-3570	Shoe & Lining Secondary Rear R.H.	1
15		Fitting Anchor End	2
16		Cable	2
17	37-3690	Cam Plate -- Preg. Br. Lever L.H.	1
*	37-3700	Cam Plate -- Preg. Br. Lever L.R.	1
18	37-3780	Cable Guide	2
19	37-3630	Lever Parking Brake L.H.	1
*	37-3640	Lever Parking Brake R.H.	1
20	37-3620	Spring Anti Rattle Cam & Lever	2
21	37-3600	Washer Parking Lever Retainer	2
22	37-3610	Anchor Bolt	2
23	37-3990	Spring -- Shoe to Shoe	2
24	37-3790	Spring Shoe Hold Down L.H.	4
25		Spring Over Travel	2
26		Fitting Lever End	2
27	37-3800	Spring Auto Adjusting L.H.	1
*	37-3810	Spring Auto Adjusting R.H.	1
28	37-4000	Spring Shoe to Shoe	2

*Not Illustrated

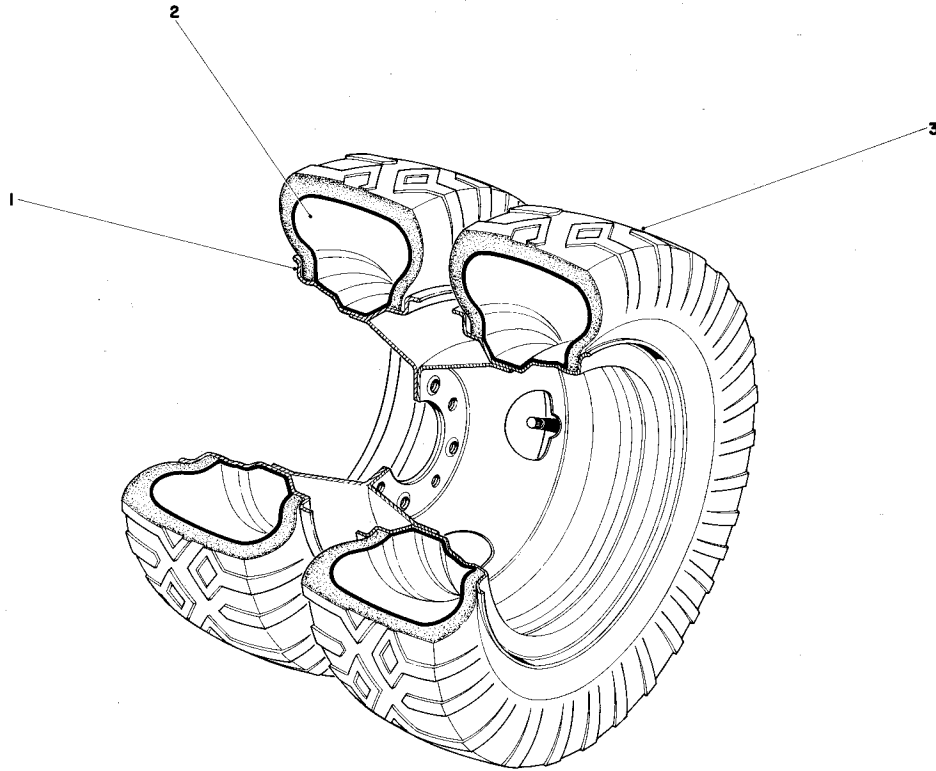


REAR BRAKE ASSEMBLY (37-1010 R.H. & 37-1020 L.H.) (Continued)

Ref. No.	Part No.	Description	No. Used
29	37-3830	Lever Auto Adjuster	2
30	37-3940	Socket Pivot	2
31	37-3950	Washer Adjusting Nut	2
32	37-3900	Adjusting Nut L.H.	1
*	37-3910	Adjusting Nut R.H.	1
33	37-3930	Pivot Screw R.H.	1
*	37-3920	Pivot Screw L.H.	1
34	37-3820	Pin Auto Adjuster Lever	2
35	37-3960	Cover Adjusting Hole	2
36	37-3980	Screw & Lockwasher	4
37		Body Screw	1

Ref. No.	Part No.	Description	No. Used
*	37-3580	Lever Cable Cam Bolt Assy. L.H. (Incl. Ref. #3, 15-17, 19-22 & 25-26)	1
*	37-3590	Lever Cable Cam Bolt Assy. R.H. (Incl. Ref. #3, 15-17, 19-22 & 25-26)	1
*	37-3720	Cable & Fitting Assembly (Incl. Ref. #15-16 & 25-26)	2
*	37-1010	Brake Assembly R.H. (Complete)	1
*	37-1020	Brake Assembly L.H. (Complete)	1

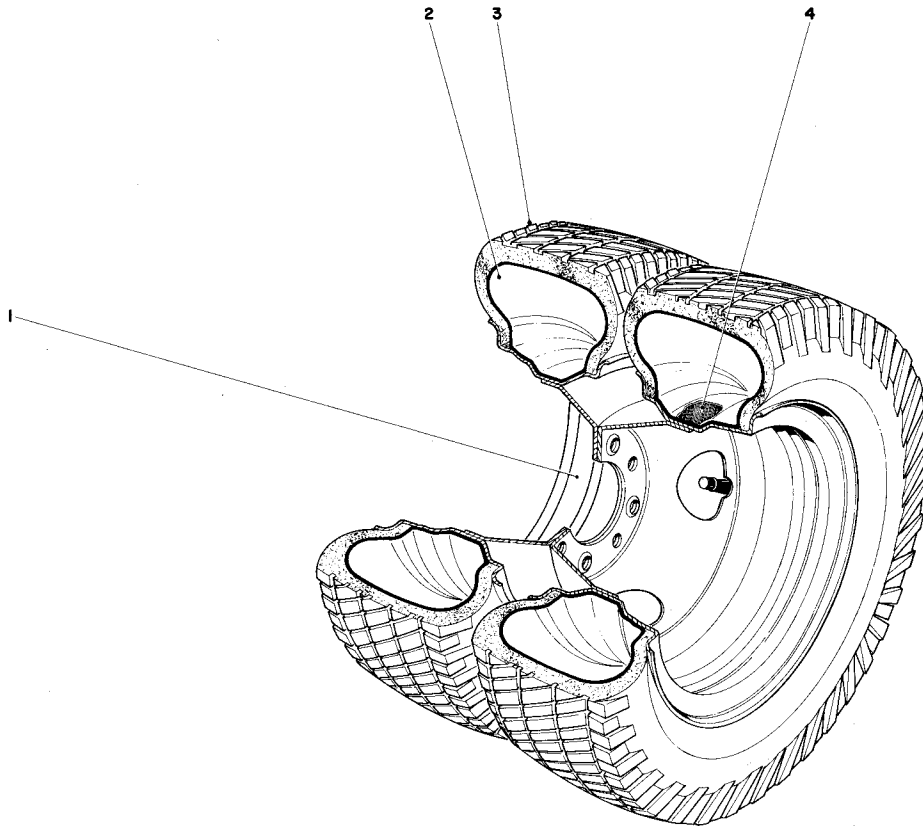
*Not Illustrated



**REAR TIRES AND RIMS 7.50 X 16 FIELD INSTALLED
KIT NO. 70230 (Parkmaster 7)**

Ref. No.	Part No.	Description	No. Used
1	37-4320	Wheel Assembly	4
2	28-9650	Inner Tube	4

Ref. No.	Part No.	Description	No. Used
3	231-5	Tire	4



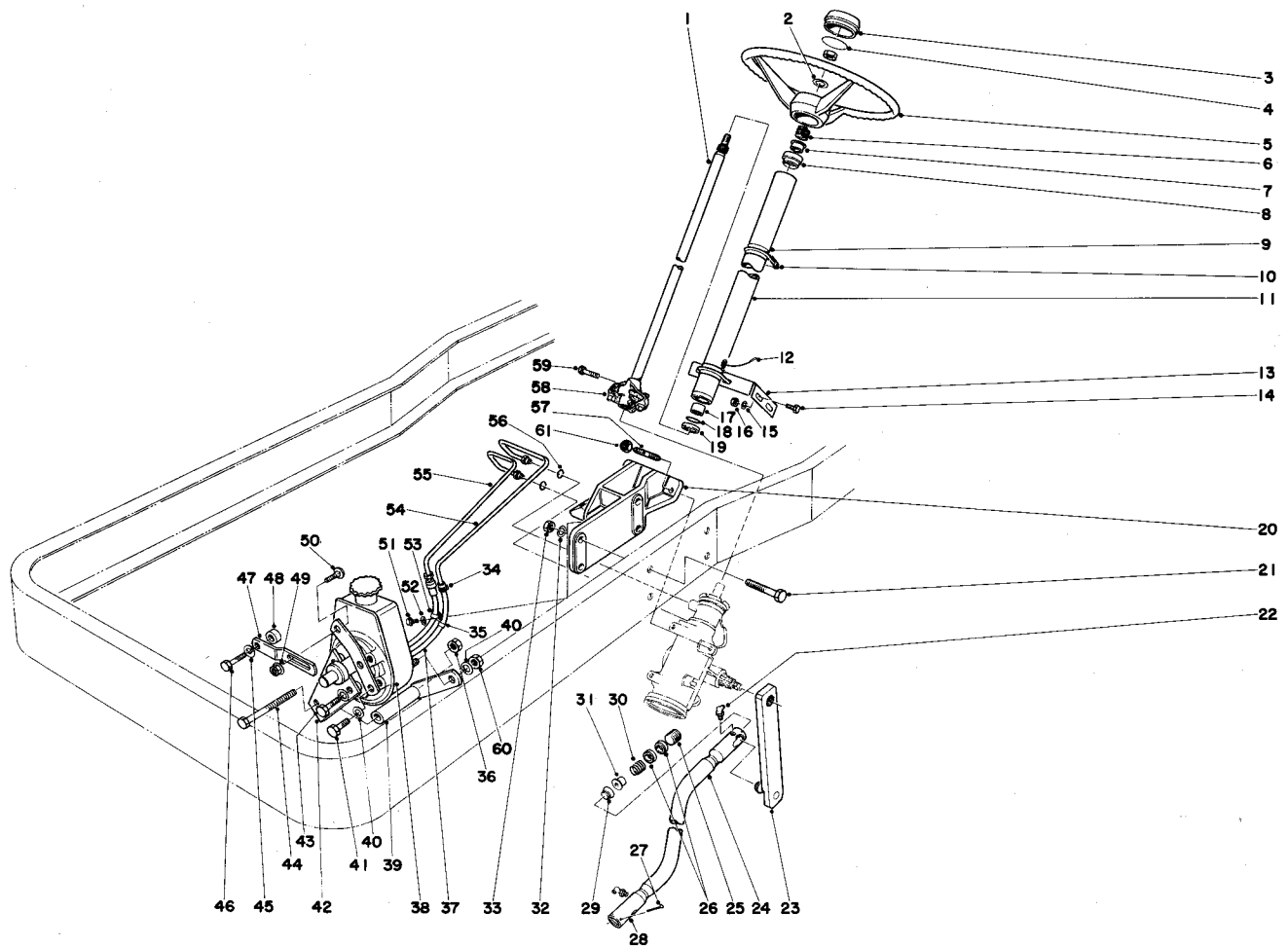
**REAR TIRES AND RIMS 8.00 X 16 FIELD INSTALLED
KIT NO. 70200 (Optional) (Parkmaster 7)**

Ref. No.	Part No.	Description	No. Used
1	37-4320	Wheel Assembly	4
2	28-9650	Inner Tube	4
3	28-9640	Tire Traction	4

Ref. No.	Part No.	Description	No. Used
4	28-9660	Flap	2
*†	231-58	Rear Tire 9.50 x 16	4

*Not Illustrated

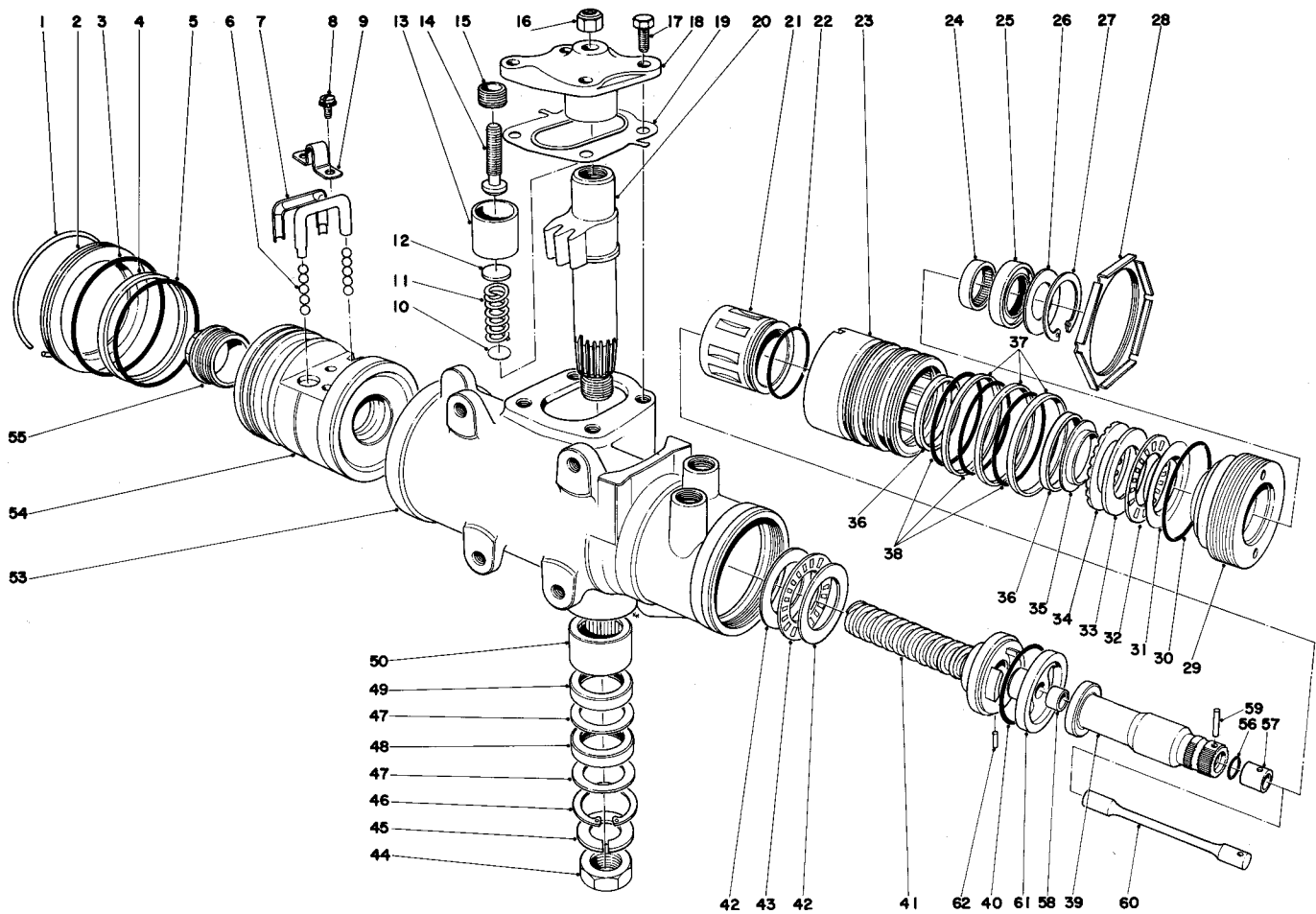
†Optional



STEERING ASSEMBLY

Ref. No.	Part No.	Description	No. Used
1	18-3090	Steering Shaft Assembly	1
2	18-3130	Washer	1
3	18-2140	Steering Wheel Cap	1
4	18-3170	Decal	1
5	18-2110	Steering Wheel	1
6	18-3120	Spring	1
7	18-3110	Spring Seat	1
8	18-3030	Bearing Assembly	1
9	18-1310	Saddle	4
10	18-2130	Clamp	2
11	18-3050	Steering Jacket Assembly	1
12	18-3040	Horn Cable Assembly	1
13	18-0830	Steering Column Support	1
14	322-2	Capscrew	2
15	3256-23	Flat Washer	2
16	32146-5	Locknut	2
17	18-3060	Bushing	1
18	18-3080	Seal	1
19	18-3070	Bearing Seal Retainer	1
20	18-1200	Engine & Power Steering Mount	1
21	327-10	Capscrew	4
22	302-33	Grease Fitting	2
23	18-2070	Pitman Arm	1
24	18-0330	Drag Link Tube	1
25	2116-5	End Plug	2
26	2116-6	Spherical Seat	4
27	3272-15	Cotter Pin	2
28	18-0320	Drag Link (Incl. Ref. #22, 24-31)	1
29	2116-8	Inner Plug	2
30	2116-7	Spring	2
31	2116-11	Spring Seat	2
32	3253-8	Lockwasher	4

Ref. No.	Part No.	Description	No. Used
33	3217-11	Nut	4
34	2412-36	Hose Clamp	2
35	2412-41	Clamp	1
36	32146-2	Locknut	1
37	18-2080	Return Hose	1
38	39-7360	Power Steering Pump	1
39	38-1770	Rear Support Power Steering Pump	1
40	21-0370	Lockwasher	5
41	39-7540	Capscrew	2
42	38-1800	Mtg. Plate—Power Steering Pump	1
43	39-7550	Capscrew	2
44	323-23	Capscrew	1
45	3253-6	Lockwasher	1
46	324-6	Capscrew	1
47	18-1380	Adjustment Bracket — Power Steering Pump	1
48	38-1850	Spacer — Adjustment Bracket	1
49	32128-19	Flange Nut	1
50	3231-2	Carriage Bolt	1
51	32104-76	Self-Tapping Screw	1
52	3256-24	Washer	1
53	2412-4	Clamp	1
54	39-7350	Return Tube	1
55	39-7340	Pressure Tube & Hose Assy.	1
56	39-7310	O-Ring Seal	3
57	43-7570	Stud Steering Gear	3
58	18-3010	Flange Assembly	1
59	18-3100	Bolt	1
60	21-0360	Nut	1
61	3296-7	Locknut	3

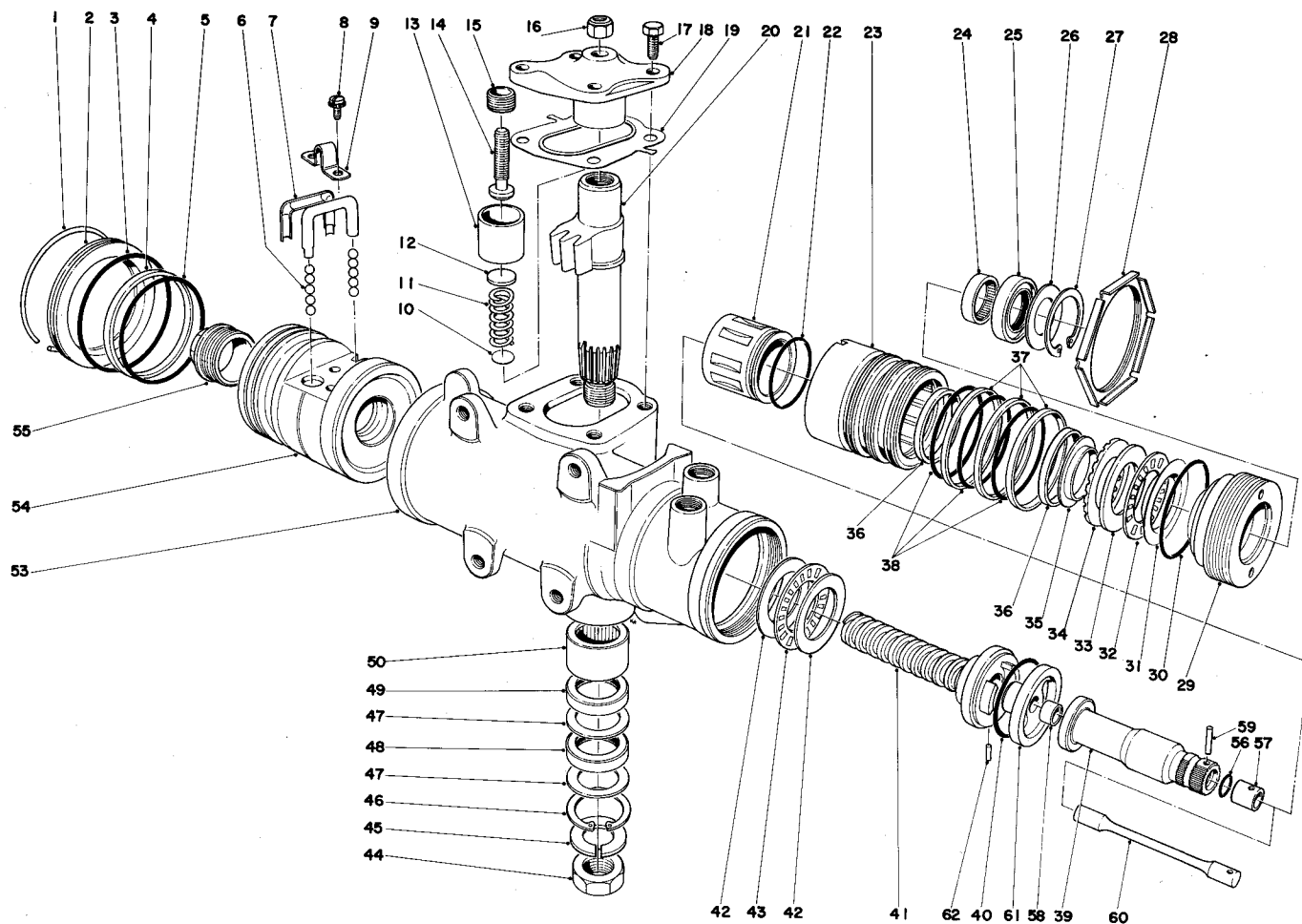


STEERING GEAR 39-7330

Ref. No.	Part No.	Description	No. Used
1		Ring, Retaining	1
2	18-4330	Plug, Housing End	1
3		Seal, Housing End Plug	1
4		Ring, Rack Piston	1
5		Seal, O-Ring, Rack Piston	1
6		Ball, Chrome Alloy (.2812 Dia.)	11
*		Ball, (.2806 Dia.)	11
7	18-4280	Guide Ball Return	2
8	18-4260	Screw & Lockwasher Assembly	2
9	18-4270	Clamp, Ball Return Guide	1
10		Washer, Lash Adjuster Wear	1
11		Spring, Adjuster	1
12		Washer, Lash Adjuster	1
13		Bushing, Side Cover	1
14		Adjuster, Lash	1
15		Retainer, Lash Adjuster	1
16	28-8220	Nut, Lash Adjuster	1
17	28-8210	Bolt, Flange Hex Hd.	4
18		Cover, Housing Side (Incl. Ref. #13)	1
19	18-4180	Seal - Assembly Gasket	1
20		Gear Pitman Shaft	1
21		Spool Valve	1
22	39-7430	Seal, O-Ring, Spool Valve	1
23		Valve Body	1
24	18-4240	Bearing Assembly, Needle	1
25		Seal, Stub Shaft	1

Ref. No.	Part No.	Description	No. Used
26		Seal, Stub Shaft Dust	1
27		Ring Retaining	1
28	18-4320	Nut, Adjuster Plug Lock	1
29		Plug Adjuster	1
30	28-8200	Seal, O-Ring	1
31		Race, Upper Thrust Bearing	1
32		Bearing Assembly Roller Thrust	1
33		Race, Thrust Bearing	1
34		Spacer, Thrust Bearing	1
35		Retainer, Bearing	1
36		Sleeve, Valve Body	2
37		Ring, Valve Body	3
38		Seal O-Ring	3
39		Shaft, Stub	1
40		Seal O-Ring	1
41		Worm, Steering	1
42		Race Thrust Bearing	2
43		Bearing Assembly, Roller Thrust	1
44	39-7440	Nut, Pitman, Arm	1
45	39-7420	Lockwasher	1
46		Ring, Retaining	1
47		Washer, Seal Back Up	2
48		Seal, Pitman Shaft	1
49		Seal, Pitman Shaft	1
50	18-4200	Bearing, Pitman Shaft	1
53		Housing, Steering Gear	1
54		Nut, Rack Piston	1

*Not Illustrated

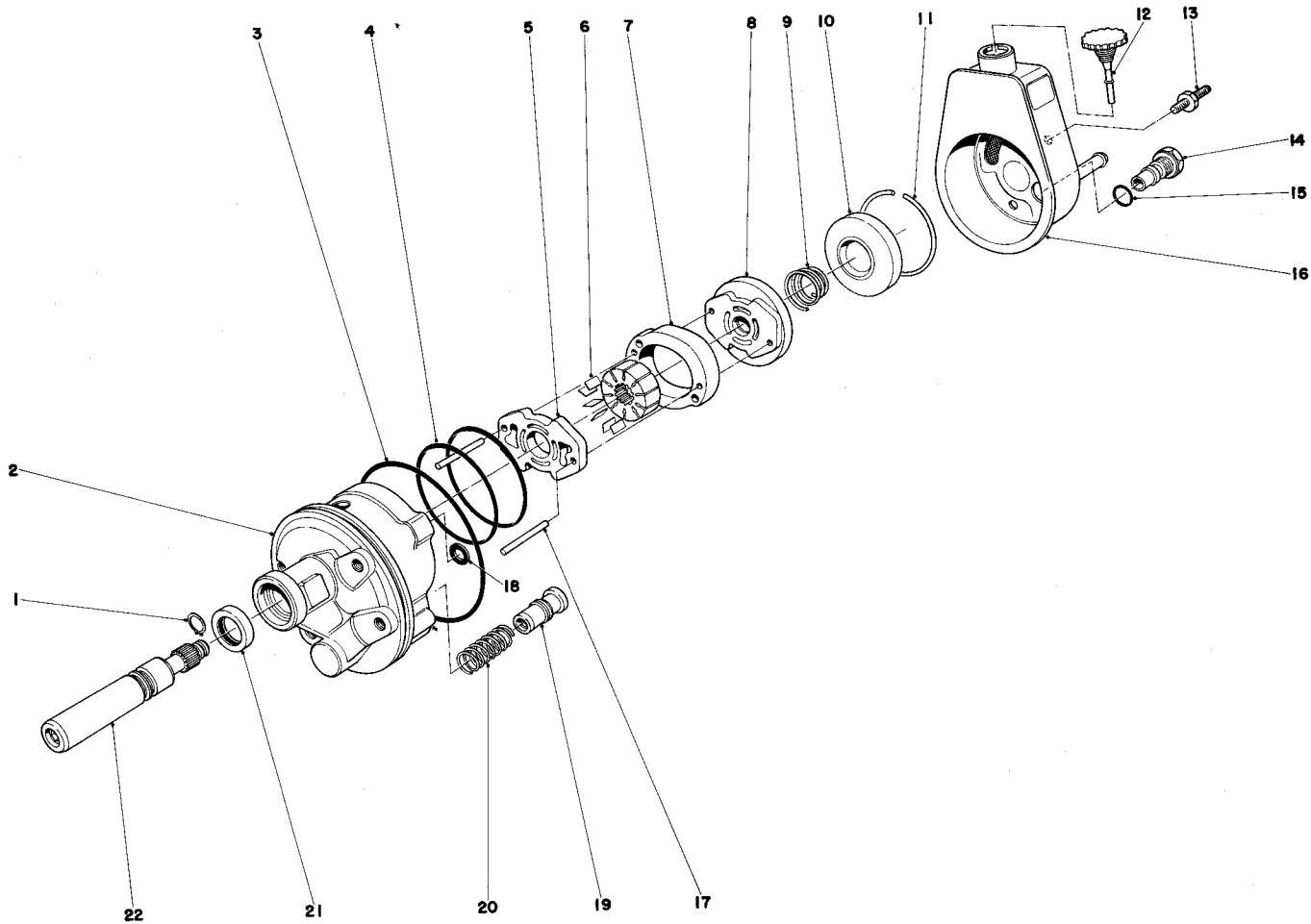


STEERING GEAR 39-7330 (Continued)

Ref. No.	Part No.	Description	No. Used
55	18-4340	Plug, Rack Piston End	1
56		Seal O-Ring	1
57		Sleeve, Torsion Bar	1
58		Bushing Torsion Bar	1
59		Pin, Torsion Bar	1
60		Torsion Bar	1
61		Cap Valve Body	1
62		Pin Dowel	1
*	28-8230	Bearing Service Kit - Upper Thrust (Incl. Items 31-35)	1
*	18-5150	Seal Service Kit - Adjustment Plug (Incl. Items 25-27 & 30)	1
*	18-5160	Seal Service Kit - Pitman Shaft (Incl. Items 17, 46-49)	1
*	18-5170	Seal Service Kit - Valve Ring (Incl. Items 22, 37-38 & 40)	1
*	18-5180	Bearing Service Kit - Lower Thrust (Incl. Items 42-43)	1
*	18-5190	Ball Service Kit, Recirculating (Incl. Item #6)	1
*	43-7660	Cover Service Assy., Housing Side (Incl. Ref. #16-19)	1

Ref. No.	Part No.	Description	No. Used
*	28-8270	Seal Service Kit, End Plug (Incl. 1 & 3)	1
*	28-8280	Seal Service Kit, Housing Side Cover (Incl. Items 17 & 19)	1
*	39-7410	Steering Gear Housing Assembly (Incl. Items 46-50 & 53)	1
*	18-4230	Plug Service Assembly Adjuster (Incl. Items 24-27 & 29-35)	1
*	28-8290	Seal Service Kit (Rack-Piston) (Incl. Items 4 & 5)	1
*	28-8250	Pitman Shaft, Gear Service Assembly (Incl. 12, 14-15 & 20)	1
*	39-7330	Steering Gear Complete	1
*	18-4310	Valve Assy. Hyd. Gear (Incl. Ref. #21-23, 36-40 & 56-62)	1
*	18-4250	Rack/Piston/Nut Assy. Worm & Pin (Incl. Ref. #4-9, 41, 54 & 62)	1

*Not Illustrated



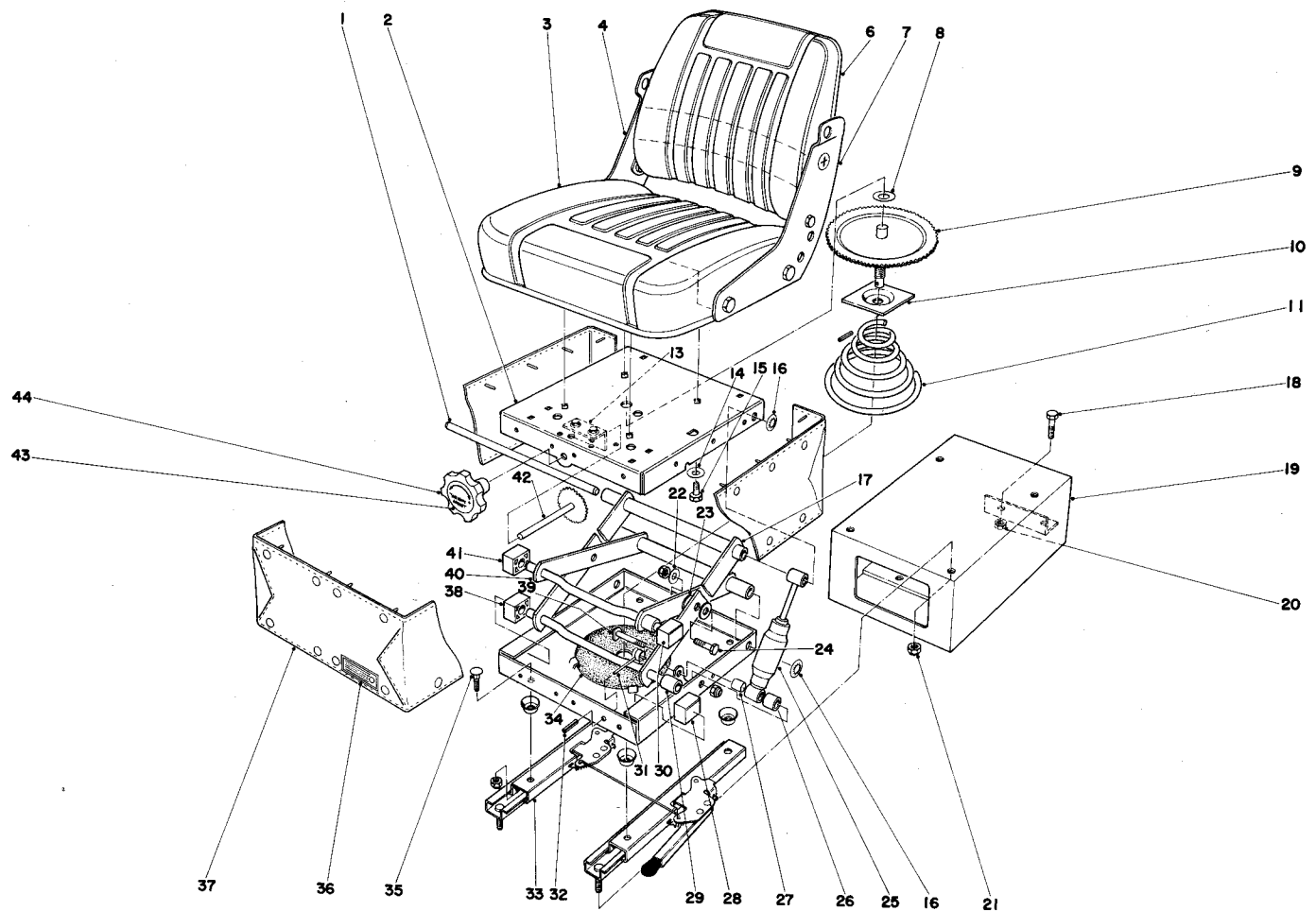
PUMP POWER STEERING NO. 39-7360

Ref. No.	Part No.	Description	No. Used
1	37-8320	Ring, Shaft Retaining	1
†2		Housing Hydraulic Pump	1
3	37-8360	Seal O-Ring	1
4		Seal O-Ring	2
5	37-8310	Thrust Plate	1
6	37-8430	Ring Service Kit Rotor Vane (Incl. Ref. #1 & 7)	1
7	37-8350	Pump Ring	1
8	37-8370	Pressure Plate	1
9	37-8390	Spring Pressure Plate	1
10	37-8380	End Plate	1
11	37-8440	Ring Retaining	1
12	37-8420	Cap Assembly Reservoir	1
13	39-8700	Stud Pump Mounting	2

Ref. No.	Part No.	Description	No. Used
14	39-8680	Fitting Assembly (Incl. Ref. #15)	1
15	39-8710	Seal O-Ring	1
16	37-8400	Reservoir Service Kit Hyd. Pump (Incl. Ref. #3)	1
17	37-8300	Pin Pump Ring Dowel	2
18		Seal	1
19	37-8410	Valve Assembly Control	1
20	37-8450	Spring Flow Control	1
21	37-8340	Seal, Drive Shaft	1
22	37-8280	Shaft Service Ret. & Dr. (Incl. Ref. #1)	1
*	37-8460	Seal Service Kit (Incl. Ref. #3, 4, 15, 18 & 21)	1
*	39-7360	Power Steering Pump Complete	1

*Not Illustrated

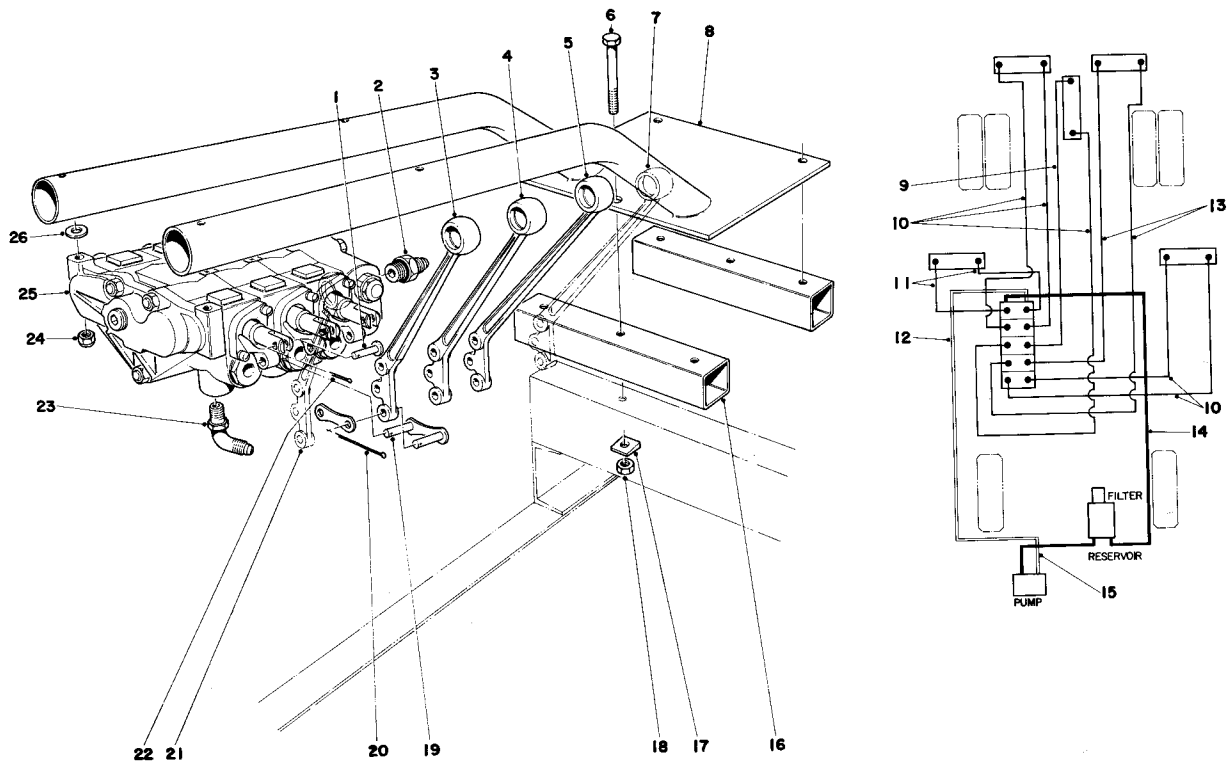
†Part only available by ordering 39-7360 Power Steering Pump



SEAT ASSEMBLY (37-0930) AND SUSPENSION ASSEMBLY (37-0610)

Ref. No.	Part No.	Description	No. Used	Ref. No.	Part No.	Description	No. Used
1	37-0710	Shaft	2	26	37-0700	Bumper	2
2	37-0690	Upper Housing Assembly	1	27	37-0670	Bearing	2
3	37-0600	Seat Cushion Assembly	1	28	37-0650	Slides Block - Lower L. H.	1
4	37-0580	R. H. Side Bracket	1	29	37-0880	Bearing	4
6	37-0590	Backrest Cushion Assembly	1	30	37-0640	Slides Block - Upper L. H.	1
7	37-0570	L. H. Side Bracket	1	31	37-0780	Ride Indicator	1
8	37-0740	Thrust Washer	1	32	32121-24	Roll Pin	1
9	37-0840	Gear Assembly	1	33	37-0790	Base Housing Assembly	1
10	37-0830	Washer Assembly	1	34	37-0810	Pad	1
11	37-0820	Spring	1	35	37-0550	Special Bolt	4
13	37-0860	Bracket	1	36	37-0770	Decal - Ride Instructions	1
14	3256-24	Washer	4	37	37-0760	Boot Assembly	1
15	323-4	Capscrew	4	38	37-0630	Slides Block - Lower R. H.	1
16	37-0720	Push On Fasteners	2	39	37-0680	Bolt	1
17	37-0890	Outer Arm Assembly	1	40	37-0870	Inner Arm Assembly	1
18	323-7	Capscrew	4	41	37-0620	Slides Block - Upper R. H.	1
19	36-9630	Seat Base	1	42	37-0850	Gear Assembly	1
20	32146-2	Locknut	4	43	37-0750	Decal	1
21	32146-5	Locknut	4	44	37-0730	Knob	1
22	37-0900	Washer	2	*	37-0930	Seat Assembly (Incl. Ref. #3, 4, 6 & 7)	1
23	37-0910	Bearing	2	*	37-0610	Suspension Assembly (Incl. Ref. #1, 2, 9-11, 13, 16-17, 22-26, 28-34 & 36-44)	1
24	37-0920	Bolt	2				
25	37-0660	Shock Absorber	1				

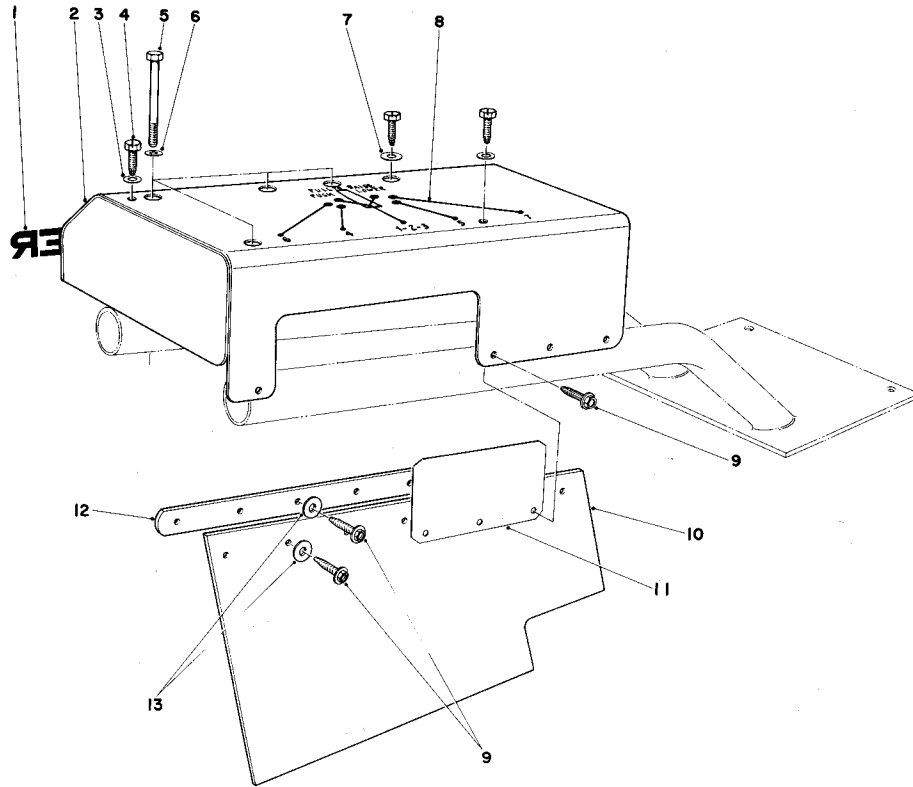
*Not Illustrated



VALVE BANK & HOSES — Parkmaster 7

Ref. No.	Part No.	Description	No. Used
1	353-322	Pin	5
2	353-433	Straight Swivel — Female	2
3	5-7840	Modified Lever	1
4	353-323	Lever	1
5	5-7830	Modified Lever	1
6	325-13	Capscrew	3
7	5-7860	Modified Lever	1
8	28-9030	Valve Stand	1
9	26-8520	Hydraulic Hose	1
10	5-0200	Hydraulic Hose (77")	5
11	5-0220	Hydraulic Hose (46")	2
12	36-2480	High Pressure Hose (94")	1
13	5-0230	Hydraulic Hose (102")	2

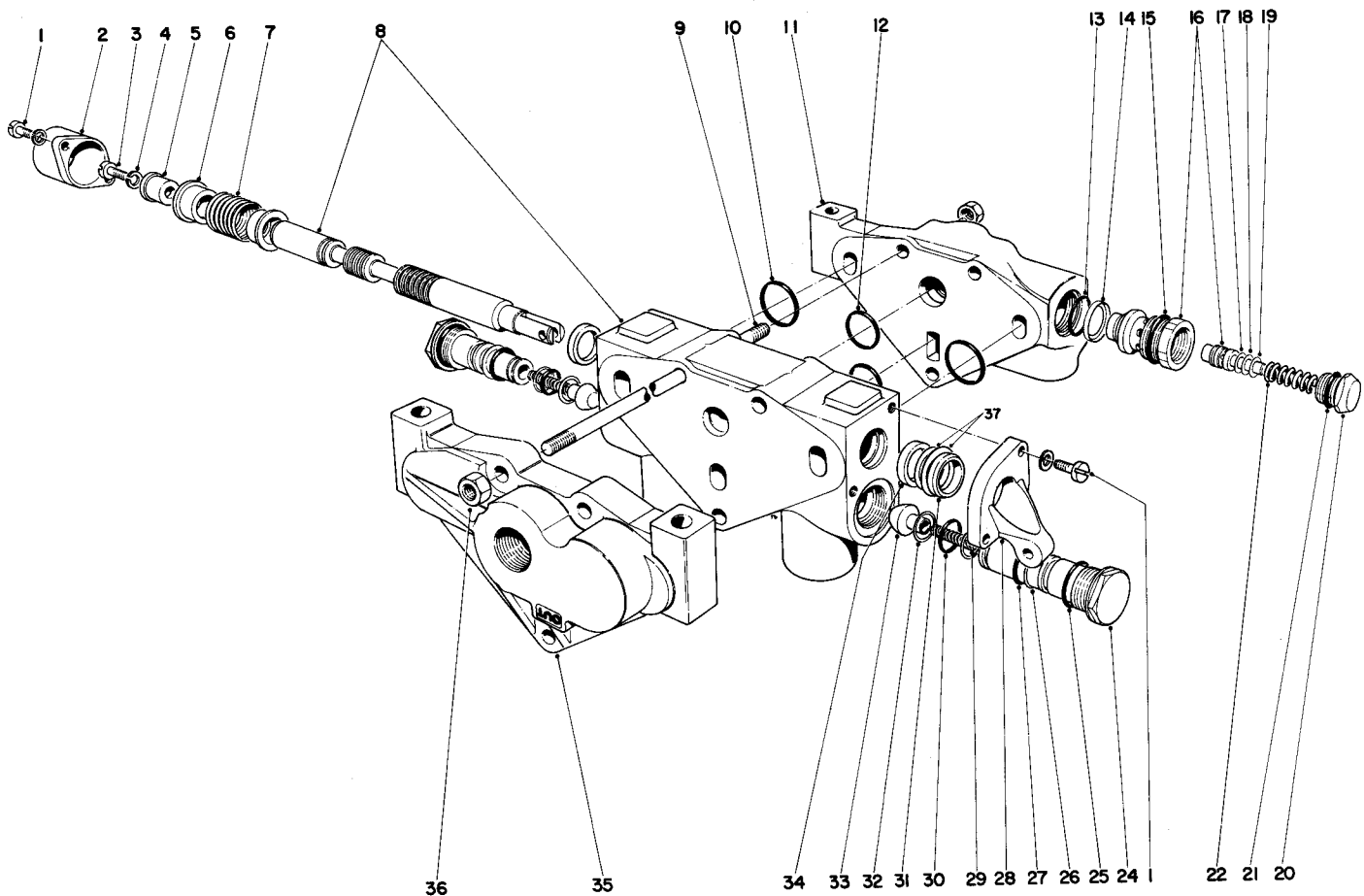
Ref. No.	Part No.	Description	No. Used
14	28-9010	Hose Return (62")	1
15	18-2350	Suction Hose	1
16	3-0166	Spacer Tube	2
17	3290-216	Bevel Washer	3
18	32146-13	Locknut	3
19	353-319	Connecting Link	5
20	353-320	Cotter Pin	5
21	5-7850	Modified Lever	1
22	353-321	Cotter Pin	5
23	353-212	Male Elbow	10
24	3296-29	Locknut	3
25	26-0610	Hydraulic Control Valve Complete	1
26	3256-23	Washer	1



VALVE COVER AND SHIELD ASSEMBLY — Parkmaster 7

Ref. No.	Part No.	Description	No. Used
1	19-2270	Decal	1
2	28-8960	Valve Cover	1
3	3256-24	Washer	2
4	32104-6	Screw Self Tapping	3
5	322-38	Capscrew	3
6	3256-23	Washer	3
7	3256-4	Washer	1

Ref. No.	Part No.	Description	No. Used
8	5-8080	Decal	1
9	12-3270	Screw Special	7
10	28-8980	Flap Valve	1
11	28-9000	Closure Cover	1
12	28-8990	Strap Support	1
13	3256-22	Washer	2

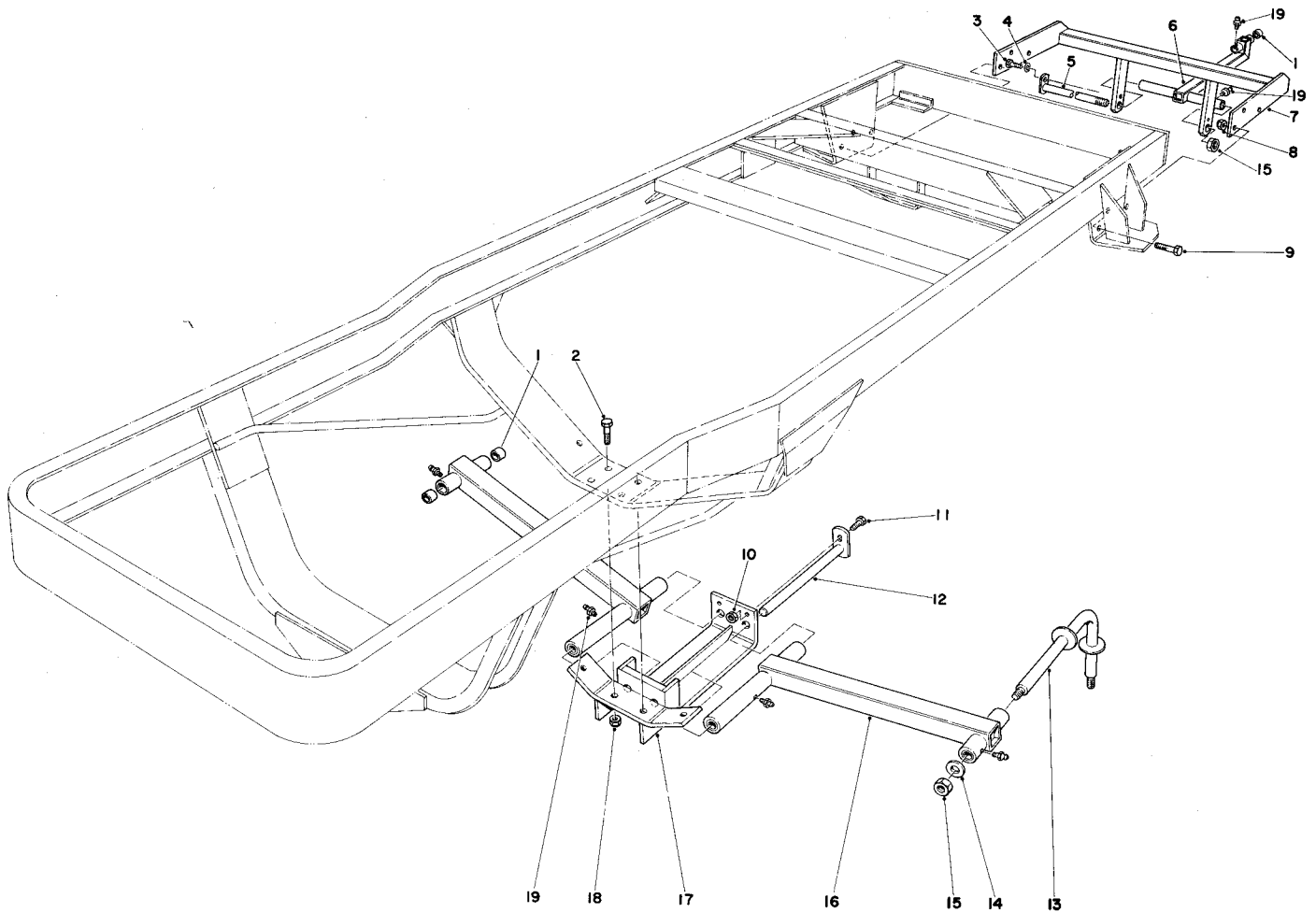


HYDRAULIC VALVE ASSEMBLY NO. 26-0610 — Parkmaster 7

Ref. No.	Part No.	Description	No. Used
1	353-315	Screw & Wash. Assy.	20
2	353-310	Bonnet	5
3	353-312	Screw	5
4	353-314	Washer	5
5	353-313	Spool Collar	5
6	353-417	Stop Collar	10
7	353-530	Spring	5
8	26-0590	Housing & Spool Assy.	5
9	353-342	Stud	3
10	353-528	Section Seal Kit (Incl. Ref. #12)	12
11	353-337	End Cover	1
12		Sect. Seal, Pressure	12
13	353-332	O-Ring	1
14	353-391	Seal, Back-Up	1
15	353-331	O-Ring Seal	1
16	353-555	Rel. Body & Rel. Poppet	1
17	353-328	Shim (.040)	1
18	353-329	Shim (.020)	1
19	353-330	Shim (.010)	1

Ref. No.	Part No.	Description	No. Used
20	353-334	Cap, Relief Valve	1
21	353-308	O-Ring Cylinder Port Plug	1
22	353-333	Spring	1
24	353-307	Lift Check Plug	10
25	353-308	O-Ring Cylinder Port	10
26	353-306	Back-Up Washer Cover	10
27	353-305	O-Ring Check	10
28	353-324	Handle Bracket	5
29	353-304	Lift Check Spring	10
30	353-302	O-Ring, Check Plug Seal (Inner)	10
31	353-318	Secondary Spool Wiper Seal	5
32	353-303	Back-Up Washer (Inner)	20
33	353-301	Lift Check Poppet	10
34	353-570	Spool Seal	10
35	353-554	End Cover	1
36	353-343	Locknut	6
37	353-515	Seal Kit (Incl. Ref. #34)	10
*	26-0590	Valve Section Complete (Incl. Ref. #1-8 & 24-34)	5

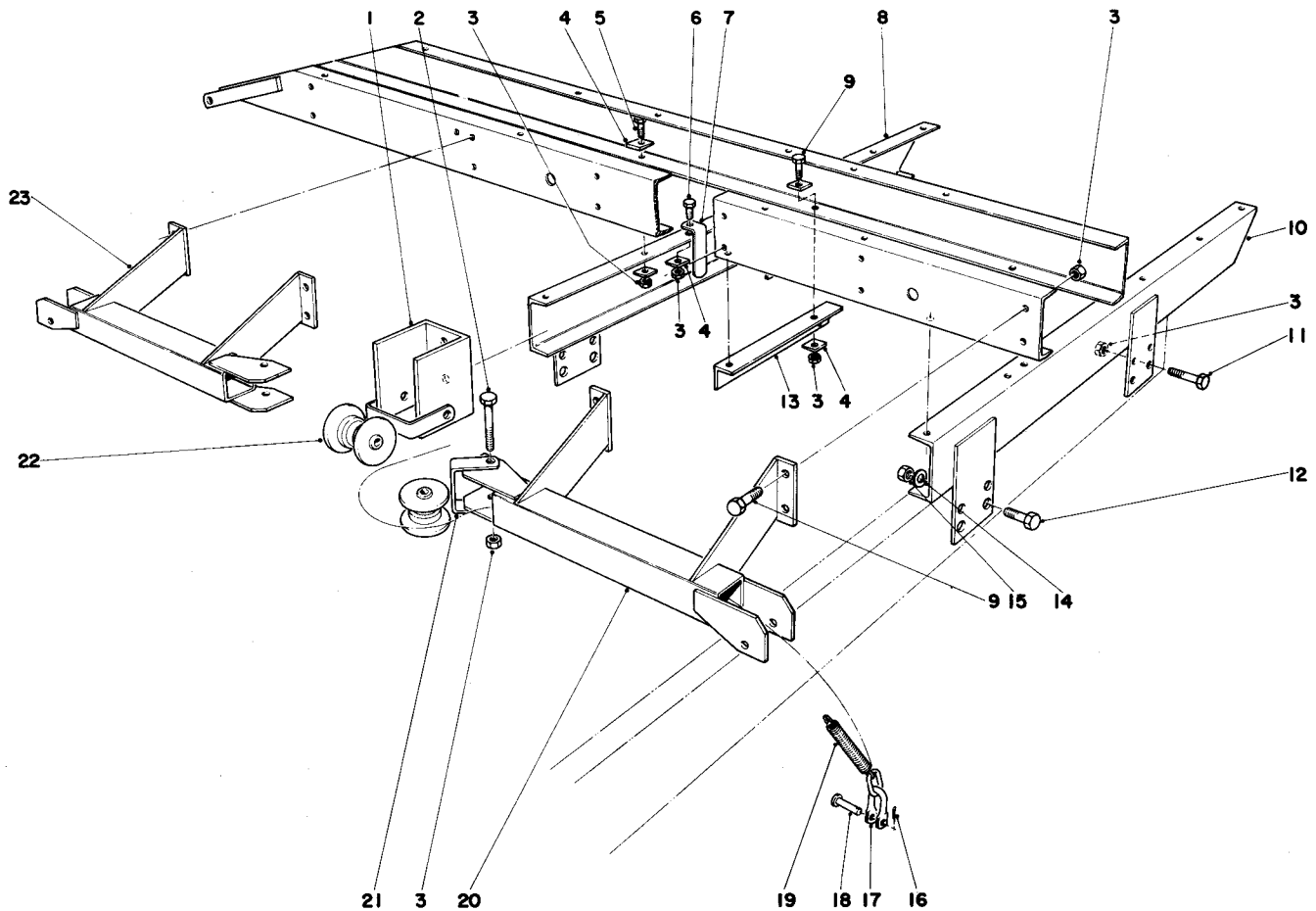
*Not Illustrated



DRAWBAR ASSEMBLY NO. 1, 2 AND 3 POSITION Parkmaster 7 Unit

Ref. No.	Part No.	Description	No. Used
1	3-0348	Bushing	18
2	327-22	Capscrew	4
3	322-3	Capscrew	1
4	3253-4	Lockwasher	1
5	37-2760	Pin - Bail Lift	1
6	26-8390	Lift Arm	1
7	26-8270	Pivot Support	1
8	3296-51	Locknut	6
9	328-24	Capscrew	6
10	32153-3	Locknut	2

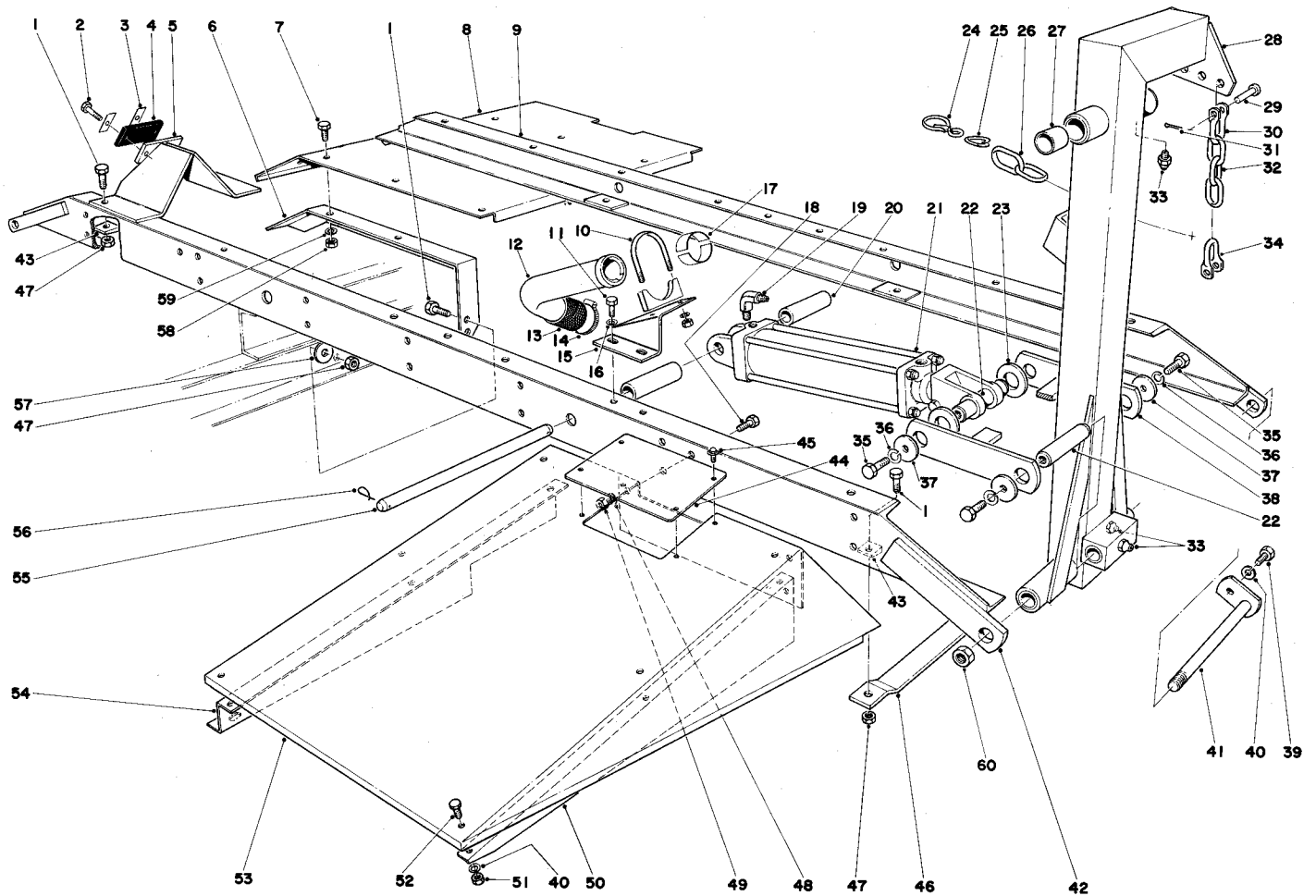
Ref. No.	Part No.	Description	No. Used
11	322-6	Capscrew	2
12	26-8250	Lift Arm Pin	2
13	26-8310	Lift Bail Pin	3
14	3-8448	Washer	3
15	3296-50	Locknut	4
16	26-8340	Lift Arm	2
17	26-8160	Lift Arm Support	1
18	3296-24	Locknut	4
19	302-5	Grease Fitting	6



MAIN FRAME ASSEMBLY — Front Parkmaster 7

Ref. No.	Part No.	Description	No. Used
1	3-0112	Sheave Bracket	1
2	325-18	Capscrew	5
3	32146-13	Locknut	25
4	3290-216	Washer	10
5	325-8	Capscrew	4
6	325-5	Capscrew	2
7	3-0236	Hose Clip	2
8	3-4608	Side Channel Right	1
9	325-6	Capscrew	12
10	3-4606	Side Channel Lift	1
11	325-7	Capscrew	2
12	327-4	Capscrew	6

Ref. No.	Part No.	Description	No. Used
13	26-8580	Chain Support	1
14	3253-8	Lockwasher	6
15	3217-11	Nut	6
16	3272-10	Cotter Pin	2
17	5-2942	Shackle	2
18	283-10	Pin	2
19	5-1706	Spring	2
20	3-6690	Side Mower Tube L.H.	1
21	3-0136	Chain Keeper	5
22	3-2196	Sheave	5
23	3-6680	Side Mower Tube R.H.	1

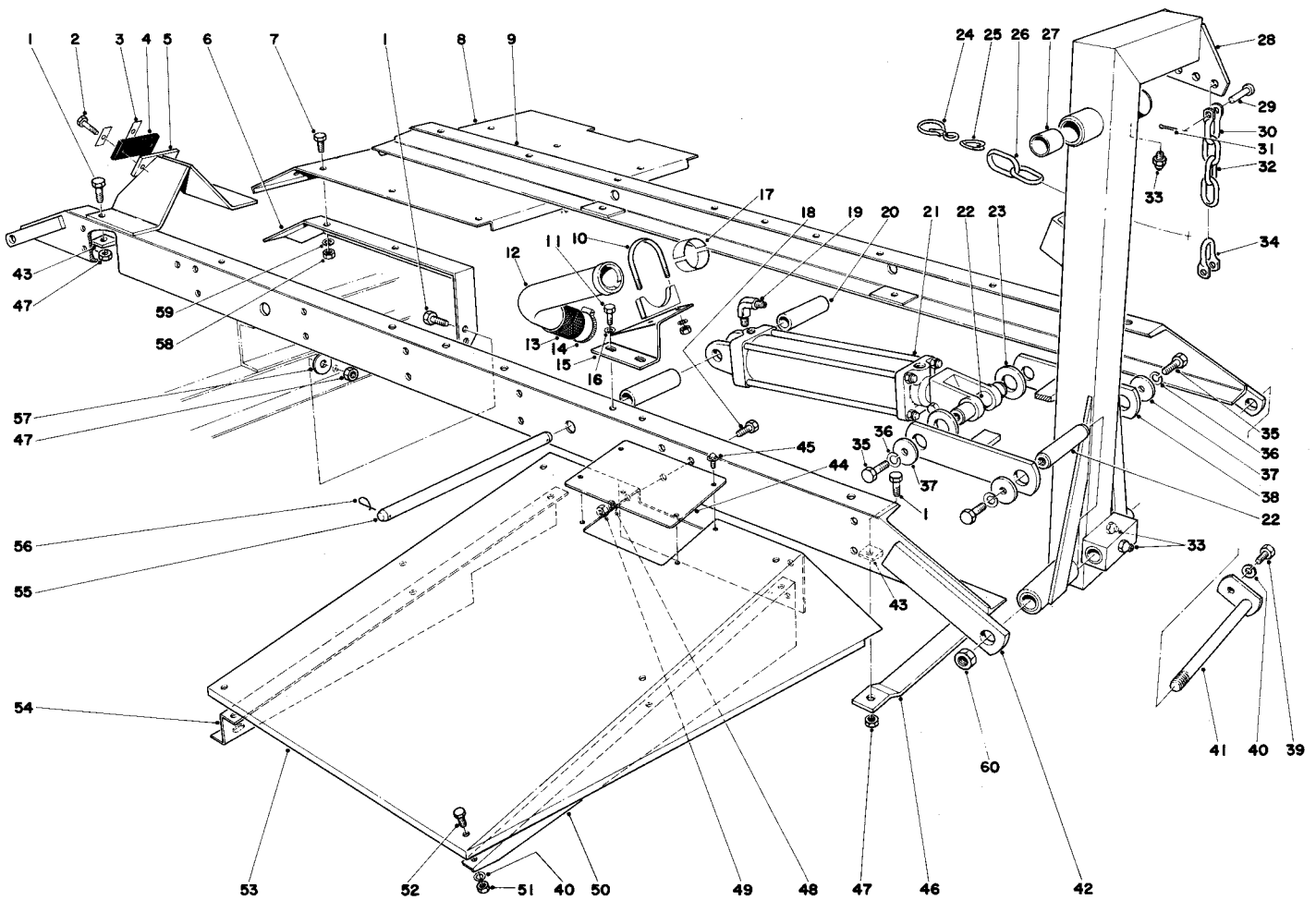


MAIN FRAME ASSEMBLY — Front Center Parkmaster 7

Ref. No.	Part No.	Description	No. Used
1	325-6	Capscrew	10
2	3290-319	Machine Screw	4
3	11-5270	Washer Bumper	4
4	11-4590	Bumper Pad	2
5	11-5630	Stop Arm	2
6	3-6520	Bracket	4
7	325-3	Capscrew	16
8	3-4596	Mudguard R.H.	1
*	3-4597	Mudguard L.H.	1
9	37-2840	Front Cross Channel Rear	1
10	18-8590	Clamp	1
11	32104-6	Self-Tapping Screw	2
12	18-2410	Fill Tube	1
13	18-2790	Extension Hose	1
14	2412-42	Hose Clamp	2
15	18-2420	Fill Tube Bracket	1
16	3256-24	Washer	2
17	18-8600	Saddle	2
18	323-6	Capscrew	6
19	5-6560	Elbow (78)	4
20	20-4390	Tube Spacer	4
21	22-7530	Cylinder 12"	2
22	3-0128	Shaft	4

*Not Illustrated

Ref. No.	Part No.	Description	No. Used
23	3256-30	Washer	4
24	286-3	Snap Hook	4
25	287-2	Cold Shut	4
26	3-1365	Safety Chain (15 Links)	2
27	3-0348	Bushing	16
28	37-2800	Lift Arm L.H. No. 6 (Incl. Ref. #27)	1
*	37-2810	Lift Arm R.H. No. 7 (Incl. Ref. #27)	1
29	283-10	Pin	4
30	5-2942	Shackle	2
31	3272-10	Cotter Pin	4
32	3-4636	Lift Chain (7 Links)	2
33	302-5	Grease Fitting	6
34	8-0280	Shackle	2
35	3211-4	Screw	8
36	3253-5	Lockwasher	8
37	5-1720	Washer	8
38	23-2610	Link	2
39	322-3	Capscrew	2
40	3253-4	Lockwasher	14
41	37-2760	Bail Lift Pin	2
42	37-2860	Front Cross Channel Front	1

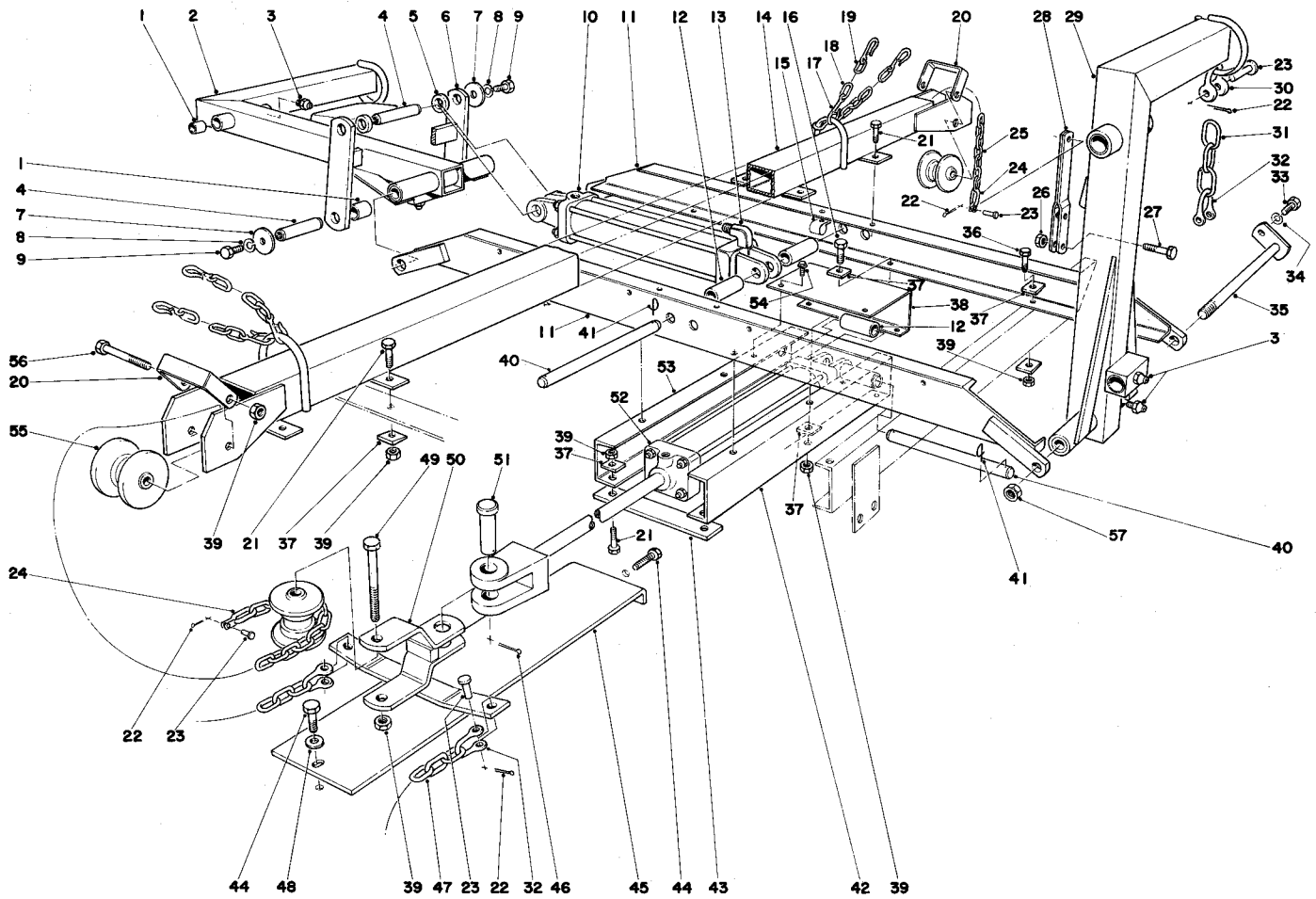


MAIN FRAME ASSEMBLY — Front Center Parkmaster 7 (Continued)

Ref. No.	Part No.	Description	No. Used
43	3290-216	Bevel Washer	8
44	21-5610	Cover	2
45	32104-77	Self-Tapping Screw	8
46	37-2910	Cylinder Rest	2
47	32146-13	Locknut	10
48	3253-21	Lockwasher	6
49	3217-7	Nut	6
50	5-2262	Fender Brace	2
51	3217-6	Nut	12
52	322-2	Capscrew	12

Ref. No.	Part No.	Description	No. Used
53	21-5480	Fender L.H.	1
*	21-5490	Fender R.H.	1
54	5-2263	Fender Mount L.H.	1
*	5-2264	Fender Mount R.H.	1
55	3-0144	Shaft	2
56	5-3126	Spring Pin	4
57	3-1615	Spacer	2
58	3217-9	Nut	16
59	3253-7	Lockwasher	16
60	3296-50	Locknut	2

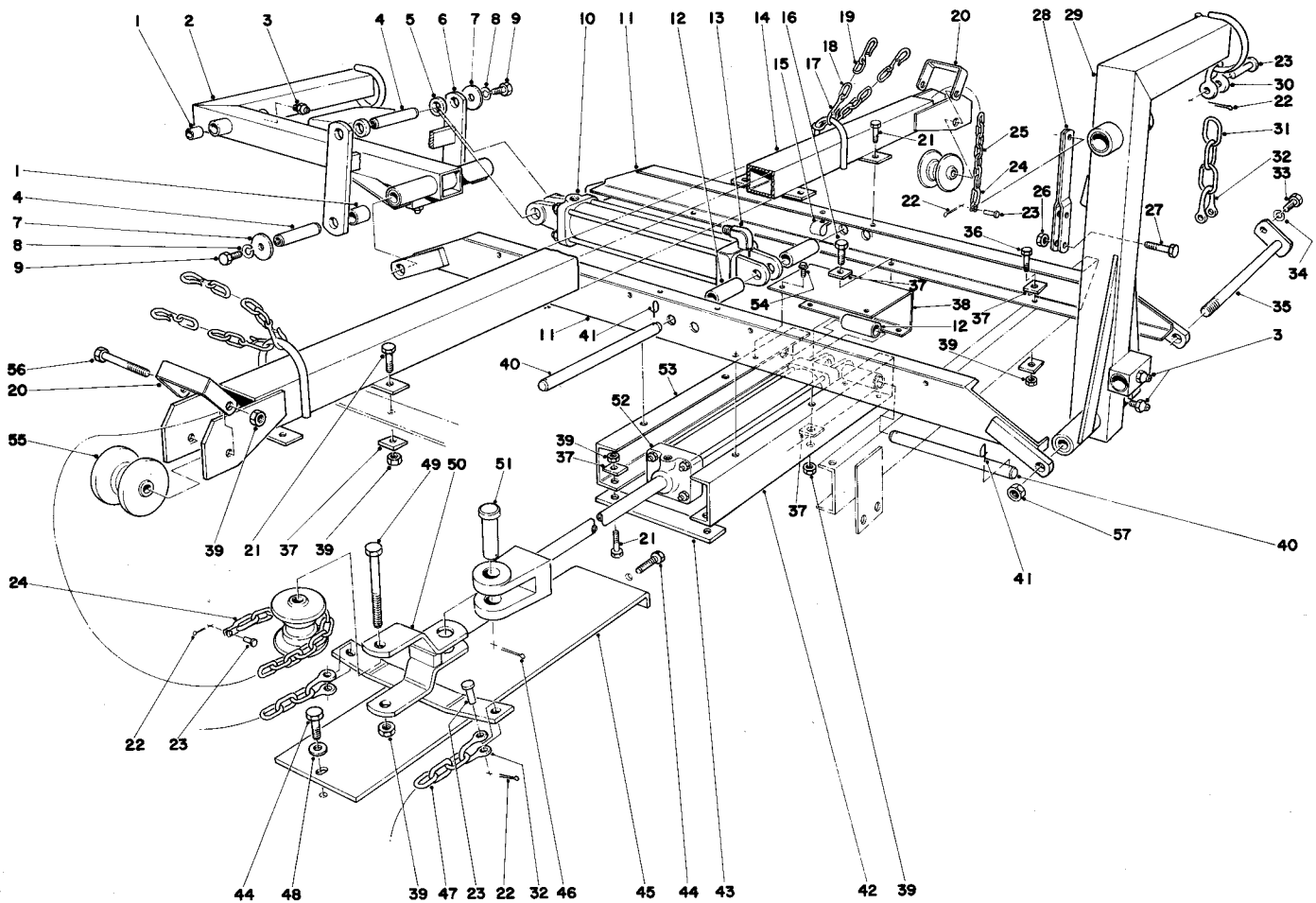
*Not Illustrated



MAIN FRAME ASSEMBLY — Rear Parkmaster 7

Ref. No.	Part No.	Description	No. Used
1	3-0348	Bushing	16
2	37-2890	Arm Short	1
3	302-5	Grease Fitting	6
4	3-0128	Shaft	4
5	3256-30	Washer	4
6	23-2610	Link	2
7	5-1720	Washer	8
8	3253-5	Lockwasher	8
9	3211-4	Capscrew	8
10	22-7520	Hydraulic Cylinder 10"	2
11	8-1280	Rear Cross Channel	2
12	20-4390	Tube Spacer	6
13	5-6560	Elbow	6
14	26-8460	Channel Brace	1
15	304-61	Hose Clamp	1
16	325-7	Capscrew	4
17	286-3	Safety Hook	4
18	287-2	Repair Link — Chain	4
19	3-1365	Chain	2
20	3-0136	Chain Keeper	2
21	325-6	Capscrew	10
22	3272-10	Cotter Pin	8
23	283-10	Pin	8

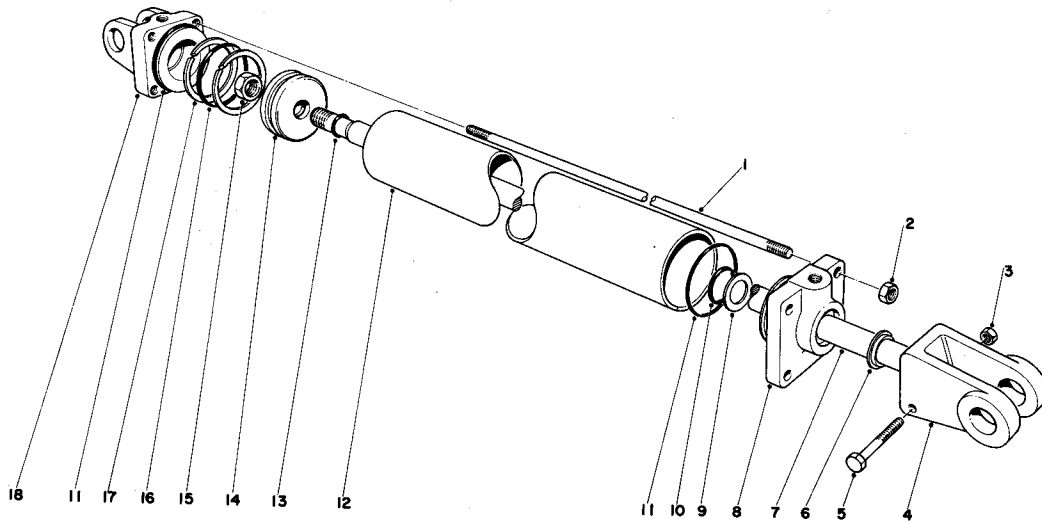
Ref. No.	Part No.	Description	No. Used
24	5-2942	Shackle	2
25	26-8540	Lift Chain	1
26	32146-2	Locknut	1
27	323-8	Capscrew	1
28	26-8370	Lift	1
29	37-2880	Arm Short	1
30	8-0280	Chain Shackle	2
31	3-4636	Chain Lift Bail	2
32	8-0280	Shackle	4
33	322-3	Capscrew	2
34	3253-4	Lockwasher	2
35	37-2760	Pin Bail Lift	2
36	325-8	Capscrew	4
37	3290-216	Washer	18
38	42-3550	Cover Cylinder Mount	1
39	32146-13	Locknut	18
40	3-0144	Shaft	3
41	5-3126	Pin Spring	6
42	26-8490	Channel L.H.	1
43	26-9690	Cylinder Rest	1
44	32104-6	Screw Self Tapping	2
45	18-2620	Plate	1
46	3272-13	Cotter Pin	1



MAIN FRAME ASSEMBLY – Rear Parkmaster 7 (Continued)

Ref. No.	Part No.	Description	No. Used
47	26-8530	Lift Chain	2
48	3256-24	Flat Washer	1
49	325-14	Capscrew	1
50	26-8210	Pulley Support	1
51	26-8590	Pin Cylinder	1
52	22-7530	Cylinder 12"	1

Ref. No.	Part No.	Description	No. Used
53	37-2790	Channel R.H.	1
54	32104-17	Hex Hd. Self-Tapping Screw	4
55	3-2196	Sheave	3
56	325-18	Capscrew	2
57	3296-50	Locknut	2

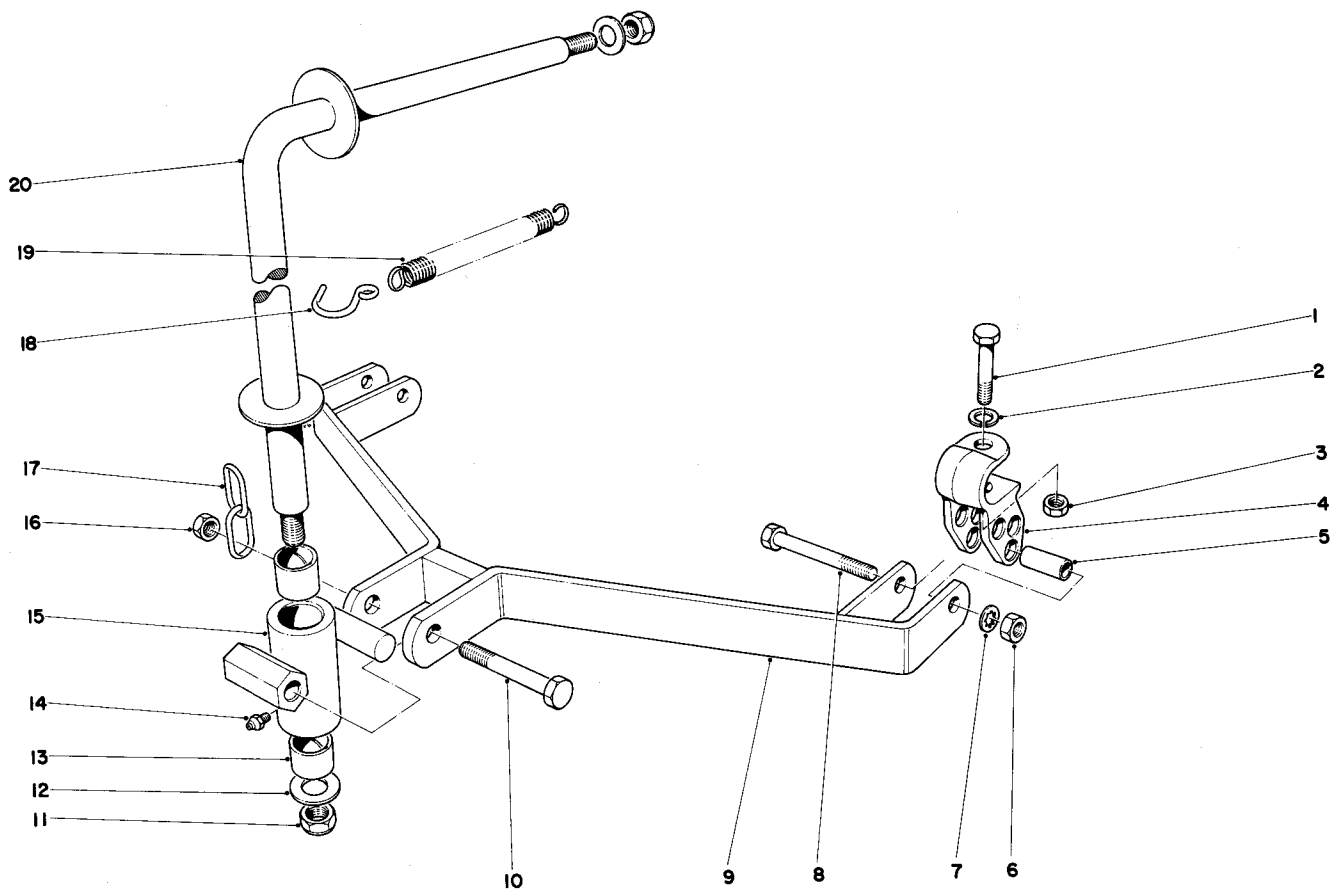


10" (22-7520) AND 12" (22-7530) — Parkmaster 7

Ref. No.	Part No.	Description	No. Used
1	22-8670	Tie Rod 10"	4
*	22-8710	Tie Rod 12"	4
2	3217-9	Nut	4
3	32146-5	Locknut	1
4	22-8680	Clevis Assembly	1
5	322-11	Capscrew	1
6	22-8660	Wiper Ring Seal	1
7	22-8610	Piston Rod 10"	1
*	22-8690	Piston Rod 12"	1
8	22-8630	Head	1
9	22-8650	Back-Up Washer	1

Ref. No.	Part No.	Description	No. Used
10	22-8640	"O" Ring Seal	1
11	22-8550	"O" Ring Seal	2
12	22-8620	Barrel 10"	1
*	22-8700	Barrel 12"	1
13	22-8600	"O" Ring Seal	1
14	22-8590	Piston	1
15	22-8560	Locknut	1
16	22-8570	"O" Ring Seal	1
17	22-8580	Back Up Washer	2
18	22-8540	Butt-End Cap	1
*	22-8720	Seal Kit (Incl. Ref. #6, 9-11, 13 & 16-17)	1

*Not Illustrated



DRAWBAR ASSEMBLY — Parkmaster 7

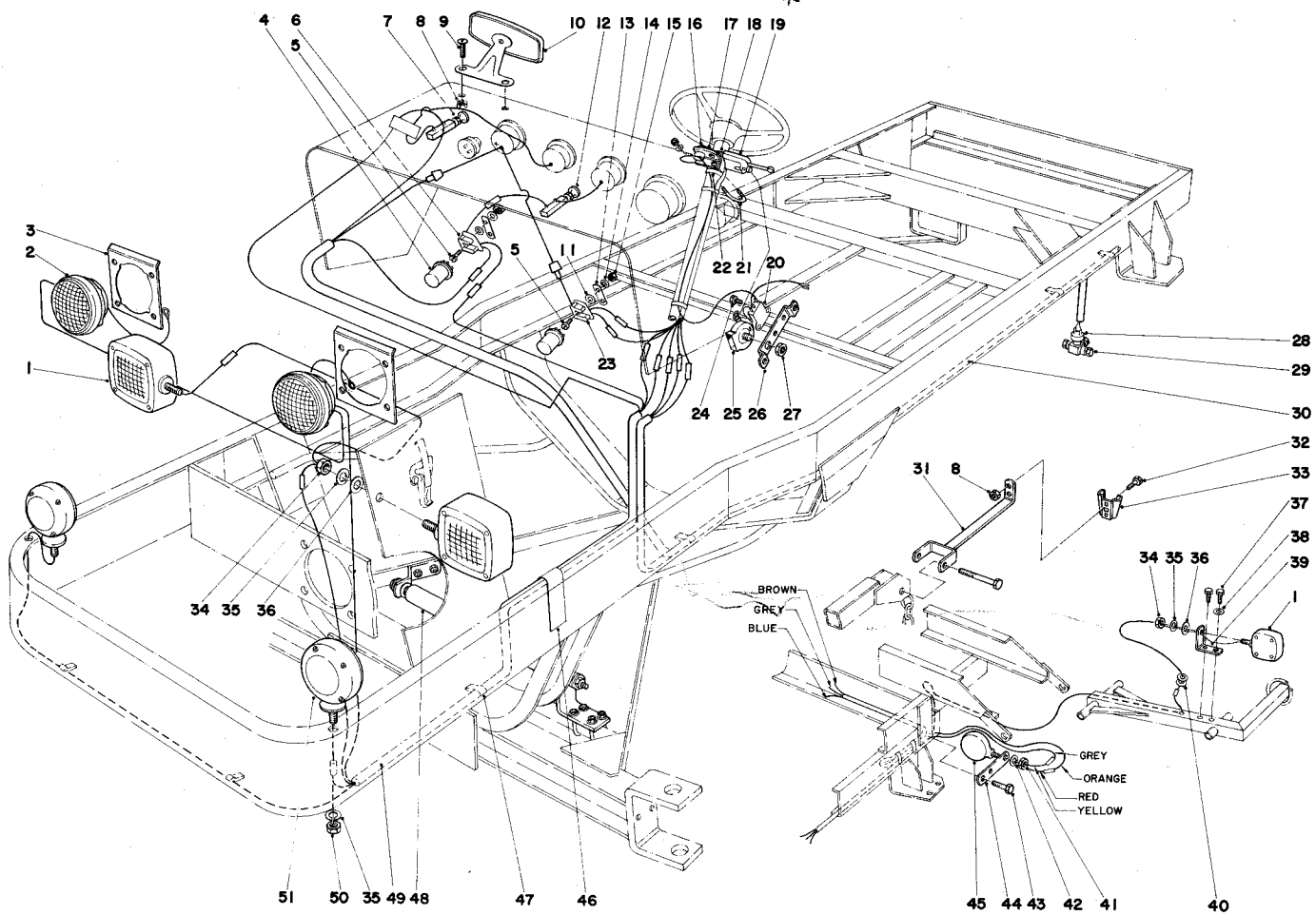
Ref. No.	Part No.	Description	No. Used
1	324-10	Capscrew	14
2	3253-6	Lockwasher	14
3	3217-8	Nut	14
4	5-1090	Clamp, Drawbar	14
5	5-1091	Spacer	14
6	3217-9	Nut	14
7	3254-4	Lockwasher	14
8	325-14	Capscrew	14
9	3-9280	Drawbar	7
10	325-17	Capscrew	7
11	3296-50	Locknut	14

Ref. No.	Part No.	Description	No. Used
12	3-8448	Washer	14
13	3-0348	Bushing	14
14	302-5	Grease Fitting	7
15	1-6559	Housing (Incl. Ref. #13)	7
16	32146-13	Locknut	7
17	3-0293	Chain	4
18	3-2198	S-Hook	5
19	5-1706	Spring	7
20	28-8720	Bail, Lift	4
*	26-8310	Bail, Lift 1, 2 & 3 Position	3

NOTE: When used on 9 unit, item No. 9 to be rotated 180 degrees.

*Not Illustrated.

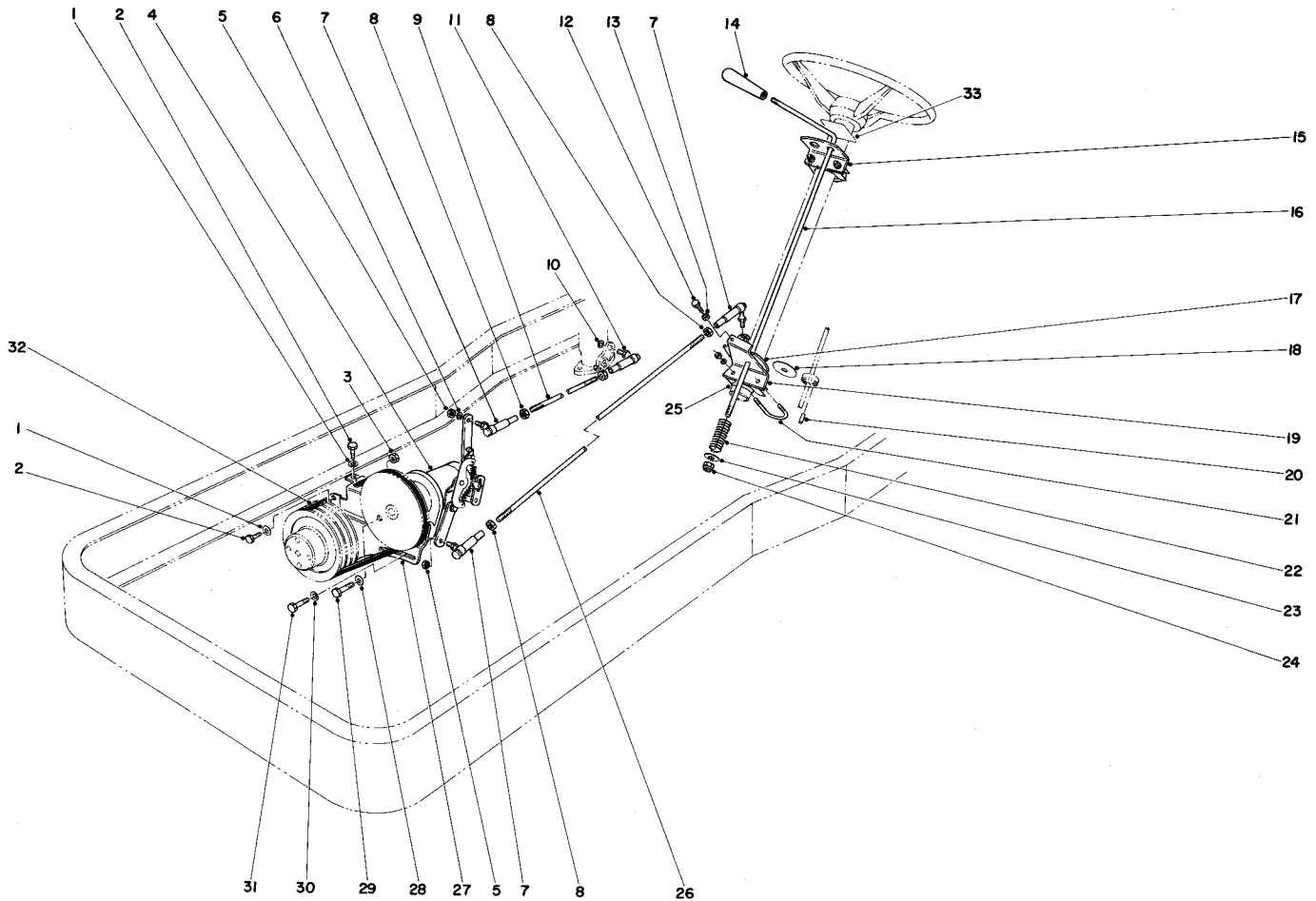
SEE MISC #13



LIGHT KIT NO. 38-6310 — Parkmaster 7

Ref. No.	Part No.	Description	No. Used
1	38-6190	Signal Lamp (SMV)	4
2	7-1646	Headlight	2
3	18-1010	Headlight Holder	2
4	218-456	Flasher	2
5	3252-2	Screw	2
6	38-2110	Connector Assembly	1
7	218-213	Light Switch	1
8	32146-5	Nut	4
9	3258-158	Screw Round Head	2
10	38-6180	Mirror	1
11	19-2430	Plastic Washer	2
12	38-2130	Switch Flasher	1
13	18-4370	Flasher Connector Bracket	2
14	3253-12	Lockwasher	2
15	3217-26	Nut	2
16	18-2830	Horn Button	1
17	18-2480	Throttle Lever Support	1
18	2412-3	Hose Clamp	1
19	42-6820	Signal Controller <i>734-739</i>	1
20	218-212	Horn Relay	1
21	18-2130	Clamp	1
22	18-1310	Saddle	2
23	11-6440	Flasher Connector	1
24	32104-77	Self-Tapping Screw	2
25	19-6050	Horn	1
26	18-2820	Horn Mount	1

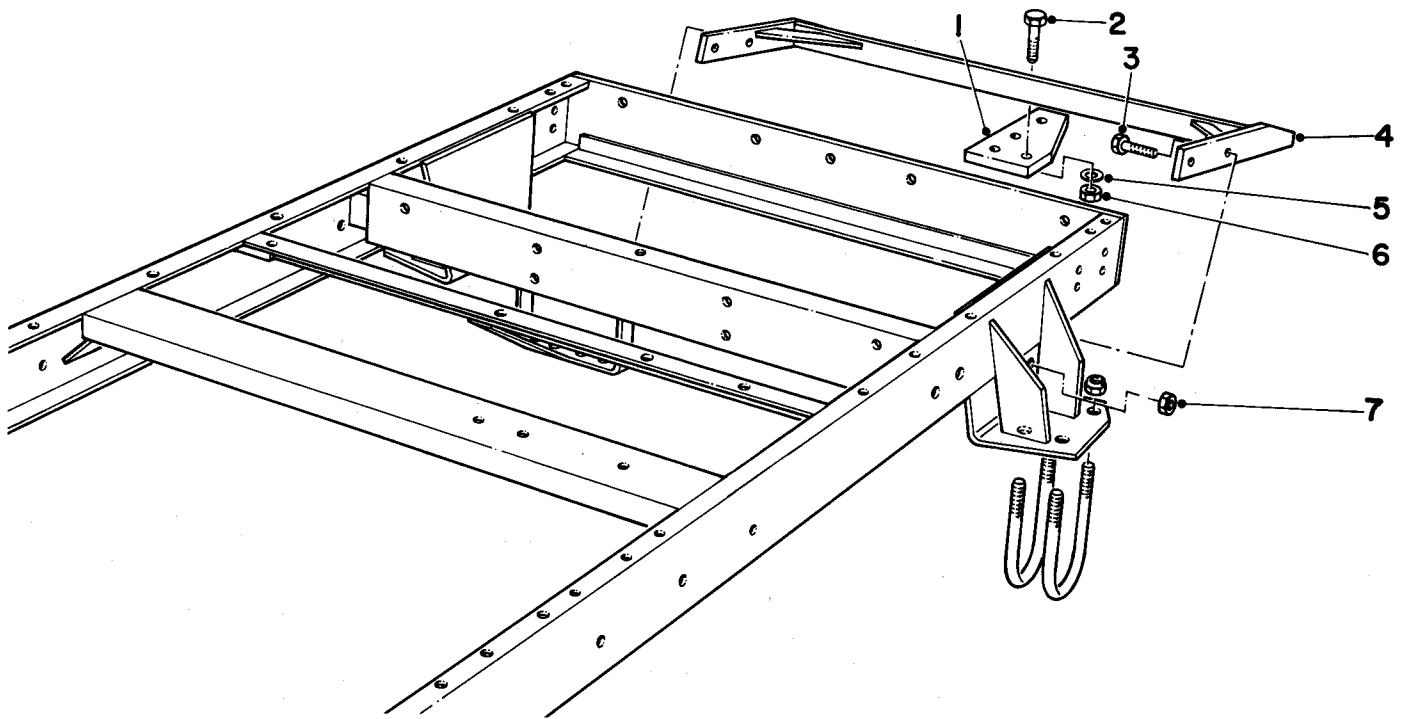
Ref. No.	Part No.	Description	No. Used
27	32112-2	Nut	1
28	218-242	Stoplight Switch	1
29	218-243	Brake Line Tee	1
30	38-2150	Wire Harness	1
31	38-6170	Support—Slow Moving Vehicle	1
32	322-3	Capscrew	2
33	38-6200	Socket—Slow Moving Vehicle Emblem	1
34	3219-5	Nut	4
35	3253-7	Lockwasher	6
36	3256-6	Washer	4
37	32144-11	Screw Self Tapping	4
38	3256-3	Washer	2
39	18-8860	Bracket Rear	2
40	237-73	Grommet	2
41	3217-11	Nut	2
42	3253-8	Lockwasher	2
43	327-4	Capscrew	2
44	3-3402	Bracket	4
45	11-6390	Tail, Stop & Turn Light	2
46	18-8570	Wire Harness Clip	1
47	212-93	Wire Clip	13
48	26-1980	Steering Stabilizer	1
49	38-2150	Wire Harness	1
50	3219-19	Nut	2
51	11-6250	Front Signal Light	2



GOVERNOR KIT NO. 38-2030

Ref. No.	Part No.	Description	No. Used
1	3253-21	Lockwasher	2
2	323-4	Capscrew	2
3	32146-2	Locknut	2
4	18-1700	Governor	1
5	3219-1	Nut	3
6	3253-3	Lockwasher	3
7	18-1720	Ball Joint	3
8	3220-1	Jam Nut	4
9	18-1730	Control Rod	1
10	3253-17	Lockwasher	1
11	18-1710	Ball Joint	1
12	322-5	Capscrew	1
13	3218-2	Jam Nut	1
14	18-2640	Handle	1
15	18-2480	Throttle Lever Support	1
16	18-2710	Lever	1
17	38-1760	Friction Plate	1

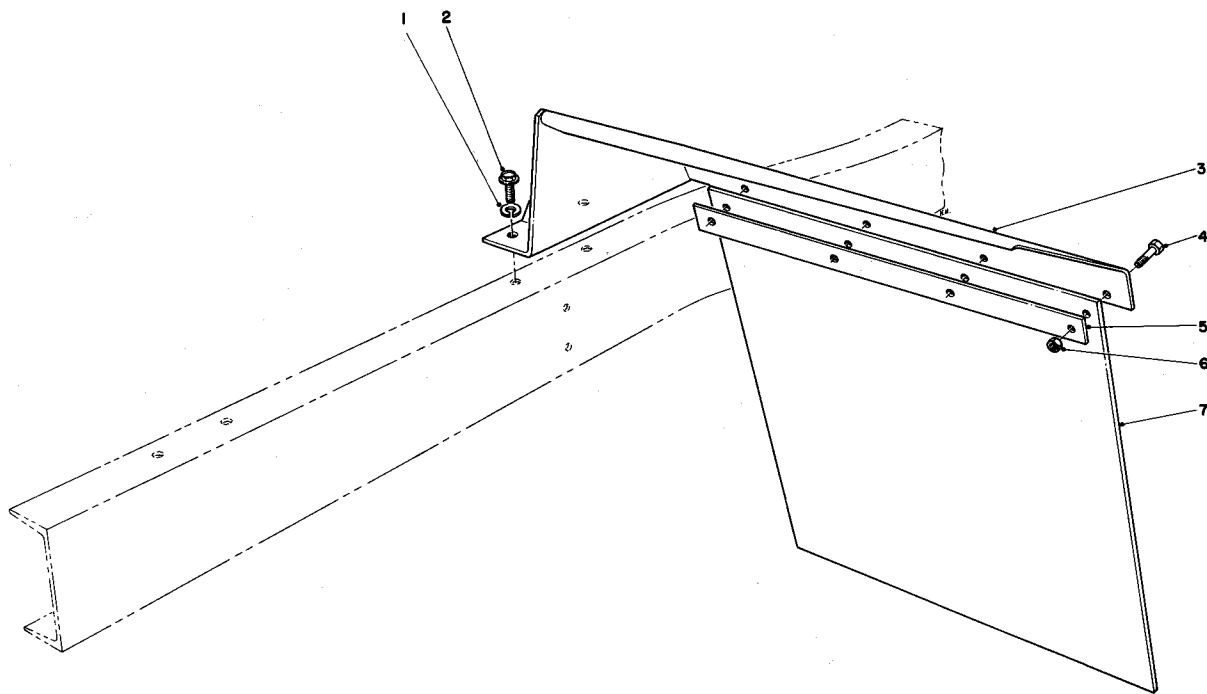
Ref. No.	Part No.	Description	No. Used
18	3-2858	Friction Disk	1
19	38-1740	Friction Plate Bracket	1
20	32121-2	Roll Pin	2
21	18-2130	Clamp	2
22	3-8596	Compression Spring	1
23	3256-25	Flat Washer	1
24	3296-7	Nut	1
25	18-1310	Saddle	4
26	18-2500	Control Rod	1
27	18-1400	Governor Bracket	1
28	3256-24	Flatwasher	2
29	323-8	Capscrew	2
30	3253-4	Lockwasher	1
31	322-6	Capscrew	1
32	18-2010	V-Belt	1
33	26-5260	Decal - Throttle Control	1



DRAWBAR KIT NO. 26-9260

Ref. No.	Part No.	Description	No. Used
1	3-3218	Hitch	1
2	328-2	Capscrew	2
3	328-24	Capscrew	4
4	26-9250	Drawbar	1

Ref. No.	Part No.	Description	No. Used
5	3253-9	Lockwasher	2
6	3217-12	Nut	2
7	3296-51	Nut	4

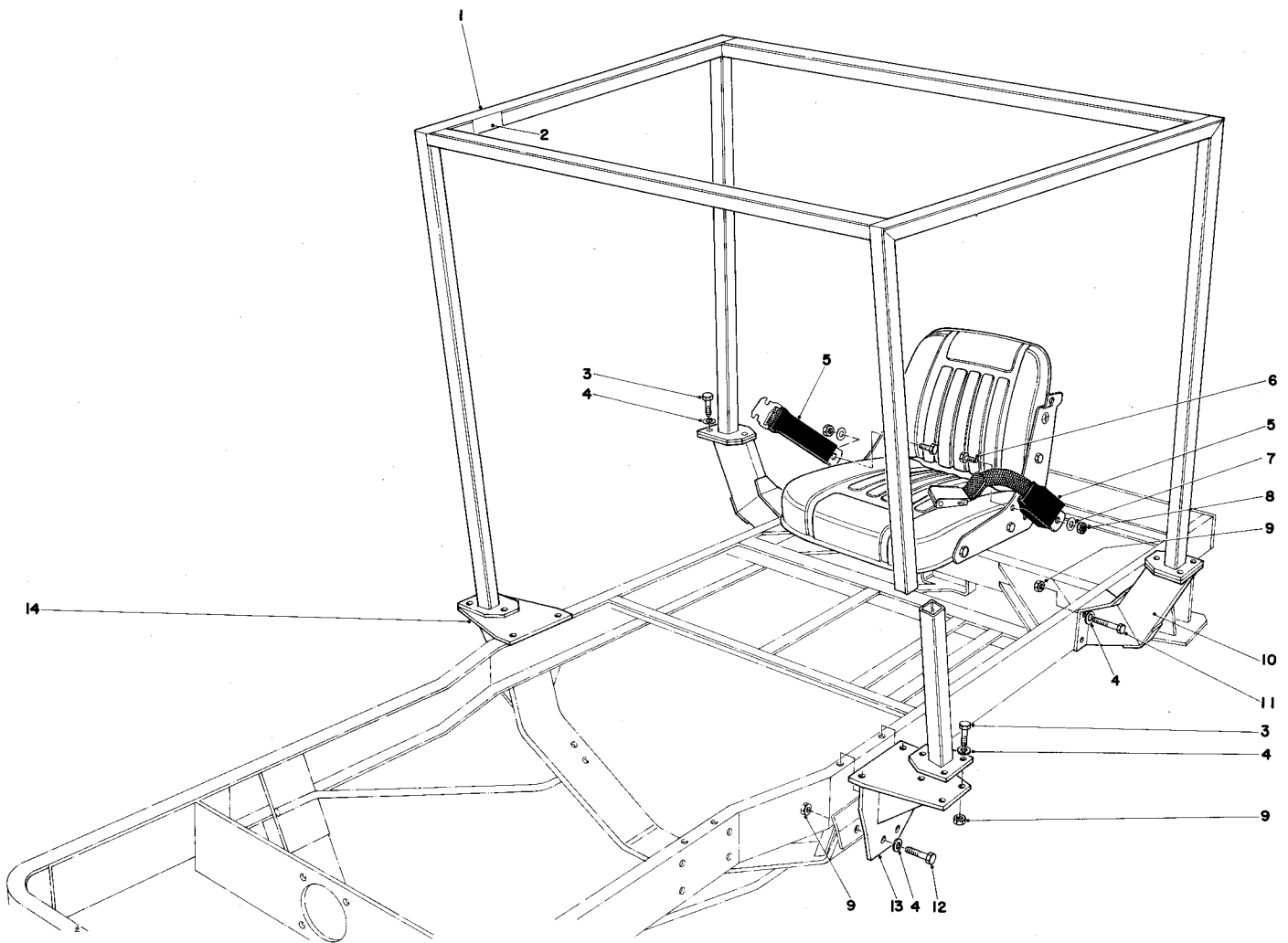


FRONT FENDER KIT NO. 18-2910

Ref. No.	Part No.	Description	No. Used
1	3253-7	Lockwasher	4
2	32144-13	Thread Forming Capscrew	4
3	10-2780	Fender L.H.	1
*	10-2770	Fender R.H.	1

Ref. No.	Part No.	Description	No. Used
4	323-6	Capscrew	8
5	10-2820	Backing Flap	2
6	32146-2	Nut	8
7	10-2810	Flap	2

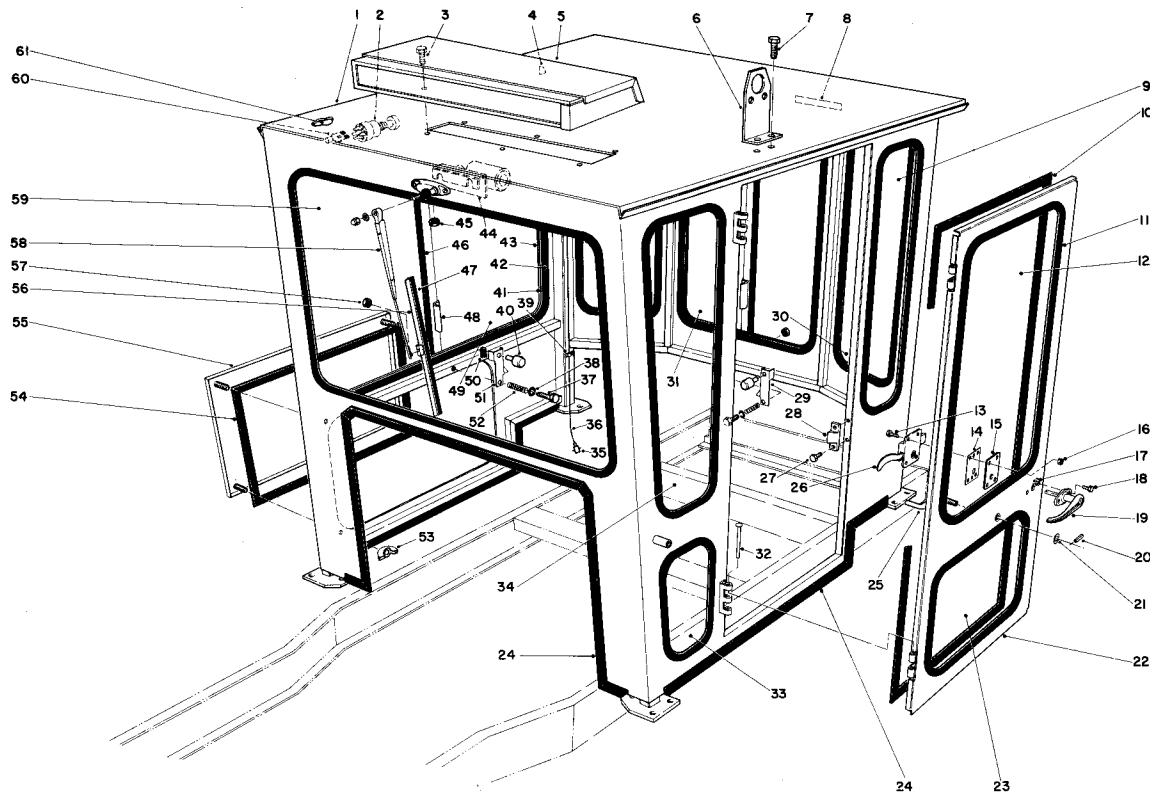
*Not Illustrated



ROLL OVER PROTECTION KIT NO. 77021

Ref. No.	Part No.	Description	No. Used
1	21-4120	Roll Bar Assembly	1
2	36-7910	Warning Decal	1
3	325-7	Capscrew	6
4	3253-7	Lockwasher	24
5	21-4190	Seat Belt	1
6	324-4	Capscrew	2
7	3256-25	Washer	2

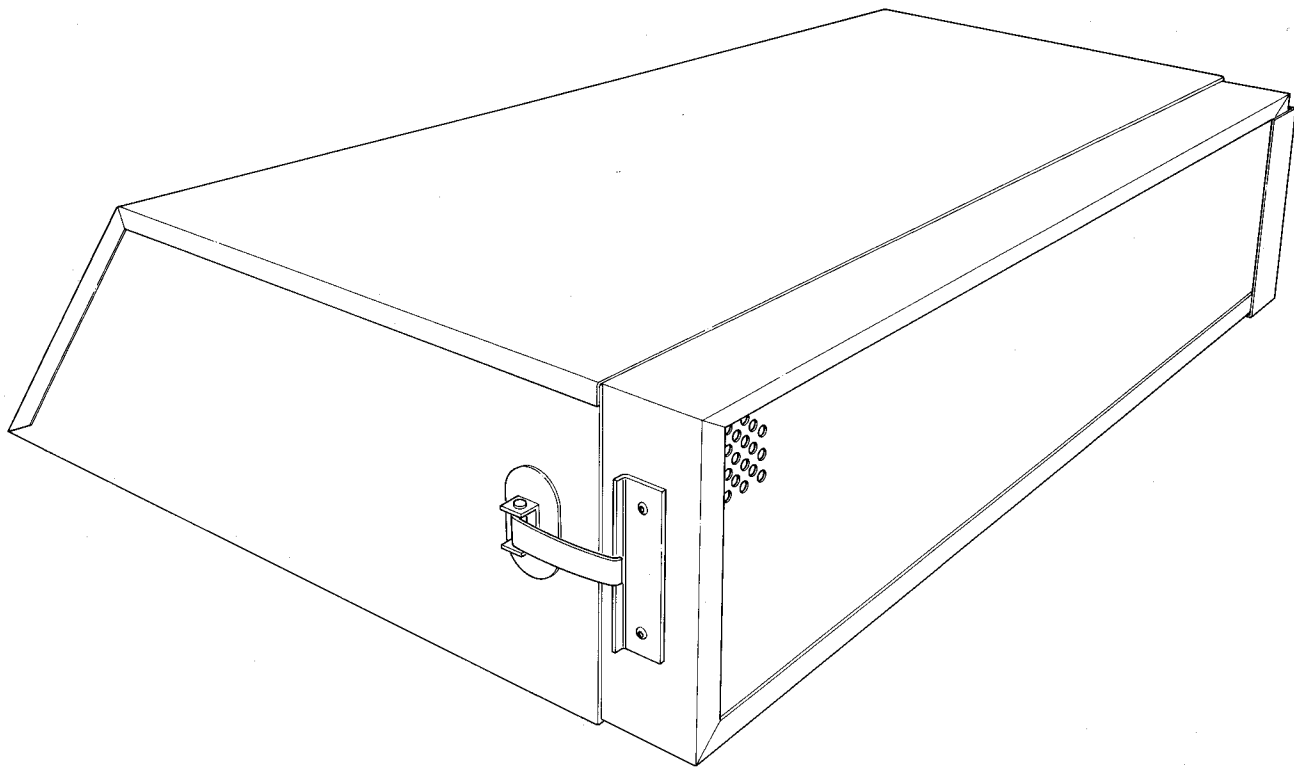
Ref. No.	Part No.	Description	No. Used
8	3296-48	Locknut	2
9	32146-13	Locknut	18
10	21-4310	Rear Mount	2
11	325-14	Capscrew	8
12	325-9	Capscrew	4
13	21-4390	Front Mount L.H.	1
14	21-4400	Front Mount R.H.	1



CAB ASSEMBLY KIT NO. 70155

Ref. No.	Part No.	Description	No. Used	Ref. No.	Part No.	Description	No. Used
1	300622	Cab	1	32	315151	Pin	1
2	000562	Wiper Switch	1	33	300557	Glass - Lower Left	1
3	000057	Capscrew	6	34	300556	Glass - Upper Left	1
4	001657	Decal - Emergency Exit	1	35	000930	Terminal - Female Spade	1
5	000576	Pressurizer Assembly	1	36	000642	Wire	1
6	300610	Lifting Eye	2	37	000057	Capscrew	2
7	000263	Capscrew	4	38	000089	Lockwasher	2
8	000773	Warning Emblem	1	39	000686	Wire Clip	4
9	300558	Glass - Rear Lift	1	40	000440	Window Lock Knob	2
10	000356	Seal - Door 168" Lg.	1	41	000338	Blank Spacer 156" Lg.	1
11	000336	Window Seal 672" Lg.	1	42	000306	Flexible Channel 276" Lg.	1
12	300564	Glass - Door (Upper)	1	43	000339	Channel - Slider Glass	1
13	000205	Hex Hd. Machine Screw	4	44	000542	Wiper Motor Assembly	1
14	315172	Shim Lock	1	45	000078	Locknut	6
15	315174	Stand Lock	1	46	000320	Rigid Slider Channel 72"	1
16	000113	Nut	4	47	300562	Glass - Front Right Slider	1
17	000202	Weld Nut	2	48	000717	Handle - Glass Window	4
18	000204	Bolt Hex Hd.	2	49	300563	Glass - Rear Right Slider	1
19	000625	Outside Door Lock Handle	1	50	000398	Edge Trim 2" Lg.	2
20	000293	Roll Pin	1	51	300646	Window Lock	1
21	000289	Washer	1	52	000907	Spring - Window Latch	2
22	300553	Door Assembly	1	53	000905	Wing Nut	4
23	300565	Glass - Door (Lower)	1	54	000356	Seal Universal	1
24	000354	Seal - Moulding 204" Lg.	1	55	300627	Inspection Panel	1
25	315114	Door Holder Crank	1	56	000557	Wiper Blade	1
26	000648	Door Lock L.H.	1	57	000867	Locknut	2
27	000191	Capscrew	2	58	000556	Adjustable Blade Arm	1
28	000631	Lock Striker	1	59	300555	Glass - Front	1
29	300647	Window Lock L.H.	1	60	000906	Tab Adapter	1
30	300648	Glass - Rear	2	61	300573	Vinyl Roof Lines	1
31	300649	Glass - Rear Slider	2				

Note: Obtain parts from Palm Industries Box 680 Litchfield, Minn.



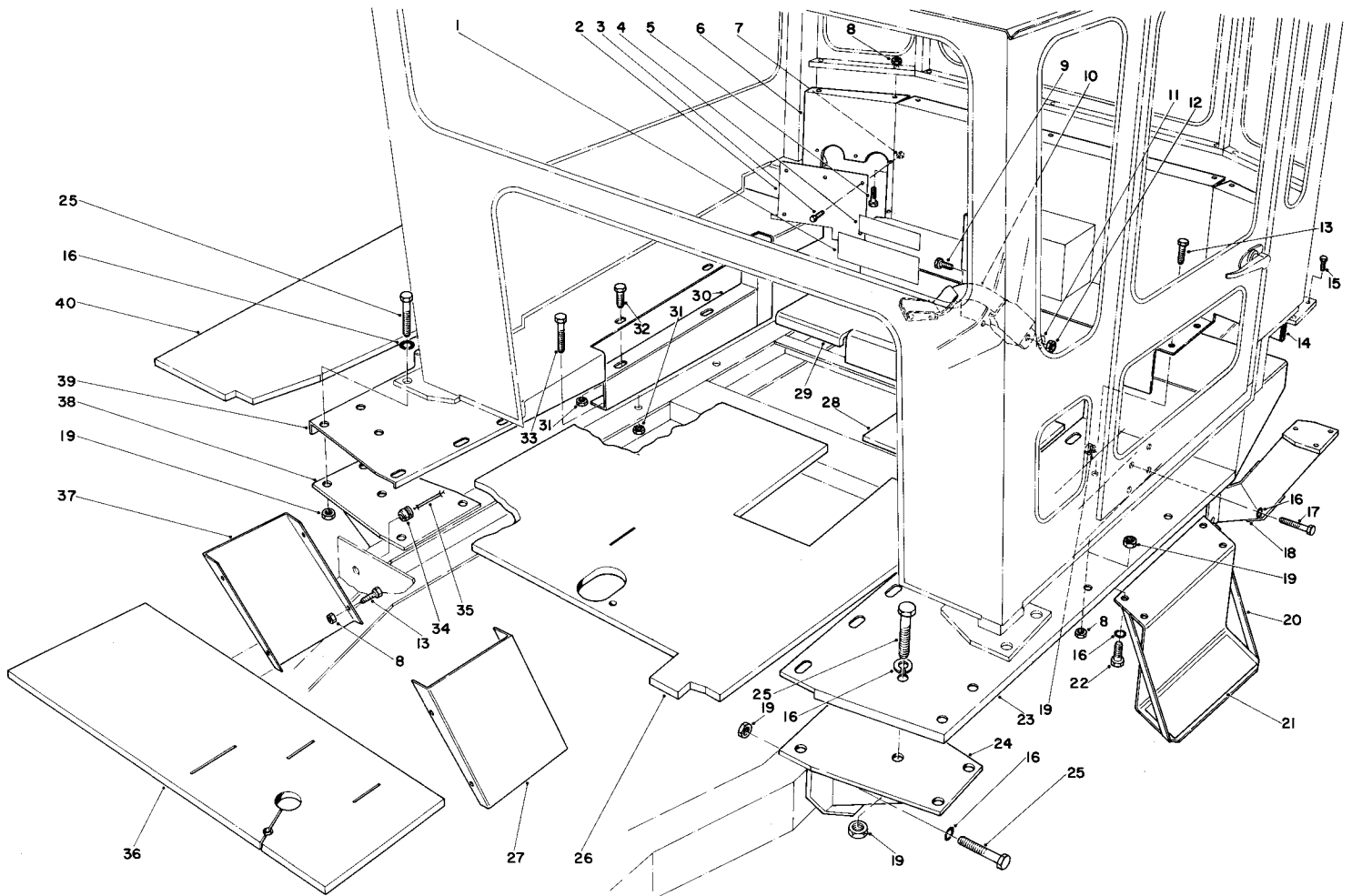
CAB ASSEMBLY KIT NO. 70155 (Continued)
PRESSURIZER ASSEMBLY NO. 39-8300

Ref. No.	Part No.	Description	No. Used
*	700B-14V	Blower	1
*	64925-G1	Filter Panel Assembly	1
*	62807-G1	Motor Assembly 12 Volt	1
*	63487-G1	Clip, Compression – Filter	2
*	63208-G1	Wheel, Blower	1
*	64939-G1	Control Panel Assembly Complete	1

Ref. No.	Part No.	Description	No. Used
*	63654-G1	Louver Assembly	1
*	63258-G1	Louver	4
*	M-37001-63	Clip (Mount Louvers)	4
*	62489-G1	Knob	1
*	62307-G1	Switch	1

*Not Illustrated

†Obtain parts from Hubb Inc. Mobile Products Div., 1135 Ivanhoe Road, Cleveland, Ohio 44110 (216) 851-6200.



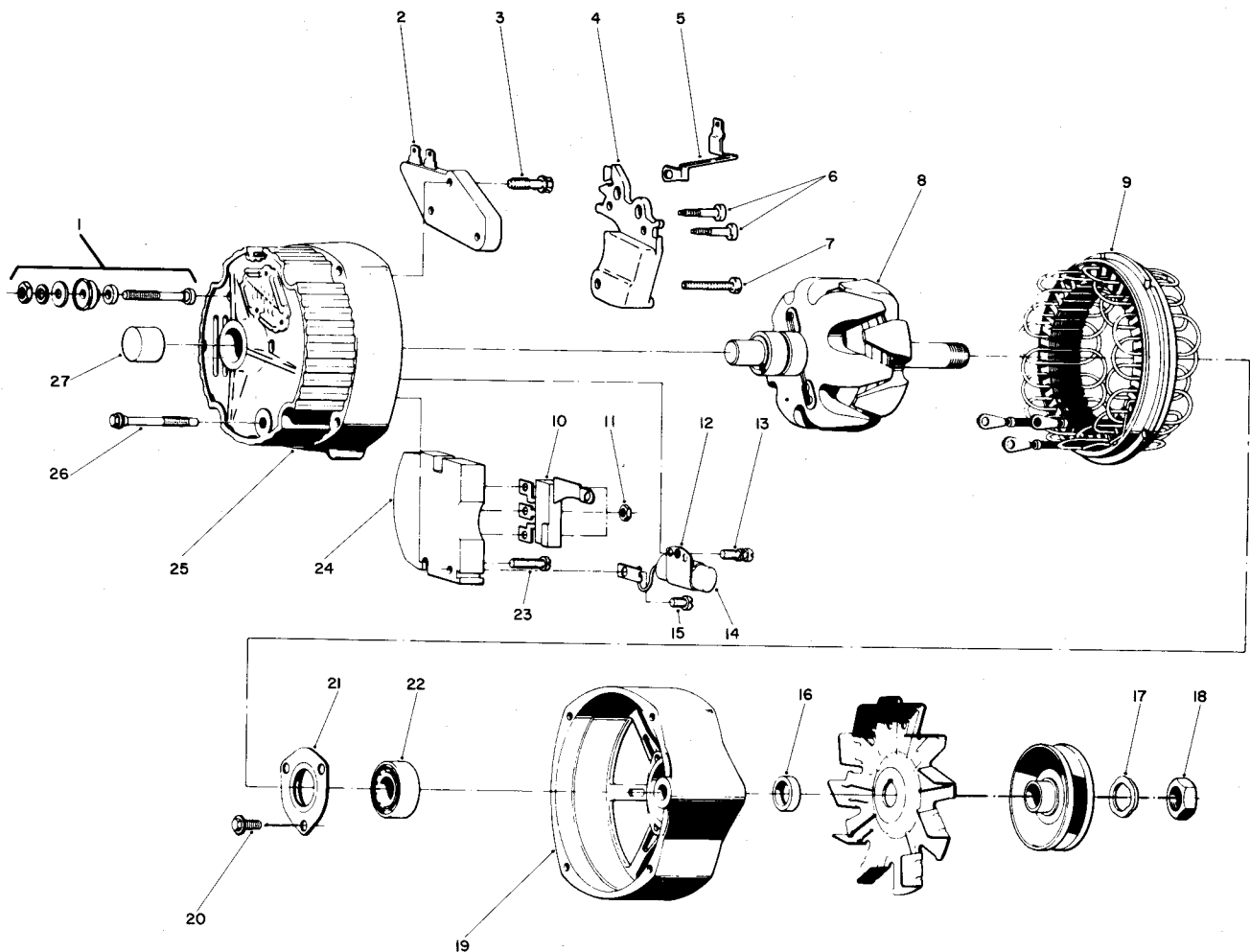
CAB MOUNTING KIT NO. 70157

Ref. No.	Part No.	Description	No. Used
1†	42-4680	Decal – Warning	1
2	300595	Seal Panel Cover (Ser 6 Tractor)	1
*	300538	Seal Panel (Tractor w/Parkmaster)	1
3†	3290-321	Machine Screw – Hex Hd.	5
4†	39-8440	Decal – Warning (Blower)	1
5†	321-9	Capscrew	7
6	300639	Filter Seal Panel	1
7†	32146-18	Locknut	5
8†	32146-17	Locknut	19
9†	324-4	Capscrew	2
10†	21-4190	Seat Belt	1
11†	3256-25	Washer – Plain	2
12†	3296-48	Locknut	2
13†	321-2	Capscrew	12
14	000354	Hollow Globe Clipon 108" Lg.	1
15†	325-6	Capscrew Hex Hd.	6
16†	3253-7	Lockwasher	22
17†	325-14	Capscrew	8
18	300514	Rear Mount	2
19†	32146-13	Locknut	22

Ref. No.	Part No.	Description	No. Used
20	300596	Foot Step	1
21†	33-2230	Step Pad	1
22†	325-4	Capscrew	4
23	300531-2	Left Fender	1
24	300506-1	Mount – Front L.H.	1
25†	325-9	Capscrew	10
26	300652	Floor Mat	1
27	300506-2	Mount – Front (R.H.)	1
28	300618	Floor Mat	1
29	300650	Floor Mat Rear	1
30	300641	Fender Filler	1
31†	32146-5	Locknut	8
32†	322-5	Capscrew	2
33†	322-10	Capscrew	6
34†	218-480	Grommet	1
35†	39-9660	Wire Harness	1
36	300615	Floor Mat (Front)	1
37	300548-2	Cowl Filler (Right)	1
38	300506-2	Mount – Front (R.H.)	1
39	300634	Right Fender	1
40	300651	Floor Mat Right Fender	1
*†	39-7400	Alternator Assembly (61 Amp Metric)	1

*Not Illustrated

†Obtain parts from your local Toro Distributor. Obtain other parts from Palm Industries Box 680 Litchfield, Minn.



CAB MOUNTING KIT NO. 70157 (Continued)
61 AMP ALTERNATOR ASSEMBLY NO. 39-7400

Ref. No.	Part No.	Description	No. Used
1	1975471	Terminal Package	1
2	1116392	Regulator	1
3	1894586	Screw and Washer Brush Holder/Attaching (Ground)	1
4	1894559	Brush Holder and Brush Assembly	1
5	1894568	Terminal - Relay	1
6	1876681	Screw Assembly - Brush Holder Attaching (Insulated)	1
7	1974020	Screw - Brush Holder Attaching (Pivot)	1
8	1876163	Rotary Assembly	1
9	1894562	Stator Assembly	1
10	1971528	Diode Trio	1
11	120622	Nut - Rectifier Bridge	3
12	1869573	Bracket - Capacitor	1
13	1851612	Screw - Capacitor Bracket	1
14	1971411	Capacitor	1

Ref. No.	Part No.	Description	No. Used
15	1851612	Screw - Capacitor Lead Attaching	1
16	1976138	Collar Shaft - Outside	1
17	1941978	Lockwasher - Shaft Nut D.E.	1
18	1915172	Nut - Shaft - D.E.	1
19	1976808	Frame D.E.	1
20	1965104	Screw Bearing Retainer	3
21	1971993	Plate - Ball Bearing Retainer D.E.	1
22	1974861	Ball Bearing D.E.	1
23	1876668	Screw and Washer Rectifier Bridge Attaching	1
24	1891055	Rectifier Bridge	1
25	1975718	S.R.E. Frame (Incl. Ref. #1, 5, 12, 14, 22 & 27)	1
26	1956975	Bolt - Thru	4
27	1974862	Roller Bearing S.R.E.	1
‡	39-7400	61 Amp. Alternator Assembly Complete	1

*Not Illustrated

‡Obtain from your local Toro Distributor. Obtain all other parts from your local GM, Chevrolet or Delco Remy Dealer. 61

PRODUCT CHANGES

In an effort to make improvements available to TORO owners as quickly as possible, minor changes are incorporated into Toro's products from time to time that do not become immediately shown in the Parts Catalog. If such a change apparently has been made in your unit, which is not reflected in your manual, see your TORO Distributor for information and part numbers.

IDENTIFICATION AND ORDERING

Model and Serial Numbers

The Tractor has two identification numbers: a model number and a serial number. The two numbers are stamped on a plate which is located on right side of toe board. In any correspondence concerning the Tractor, supply model and serial numbers to assure that correct information and replacement parts are obtained.

To order replacement parts from an Authorized TORO Distributor, supply the following information:

1. Model and serial numbers of the Tractor.
2. Part number, description, and quantity of part(s) desired.

NOTE: Do not order by reference number if a parts catalog is being used; use the PART NUMBER.

The Toro Promise

A ONE YEAR LIMITED WARRANTY ON COMMERCIAL PRODUCTS OTHER THAN WALK ROTARY MOWERS, TRIMMERS AND BLOWERS.

The Toro Company promises to repair your TORO Product if defective in materials or workmanship. The following time periods from the date of purchase apply:

Commercial Products	1 Year
Hevi-Duty Walk Rotary Mowers	90 Days
Trimmers and Blowers	90 Days

The costs of parts and labor are included, but the customer pays the transportation costs on walk rotary mowers, trimmers and blowers.

If you feel your TORO product is defective and wish to rely on The Toro Promise, the following procedure is recommended:

1. Contact your Authorized TORO Distributor or Commercial Dealer (the Yellow Pages of your telephone directory is a good reference source).
2. The TORO Distributor or Commercial Dealer will advise you on the arrangements that can be made to inspect and repair your product.
3. The TORO Distributor or Commercial Dealer will inspect the product and advise you whether the product is defective and, if so, make all repairs necessary to correct the defect without an extra charge to you.

If for any reason you are dissatisfied with the distributor's analysis of the defect or the service performed, you may contact us.

Write:

TORO Commercial Products Service Department
8111 Lyndale Avenue South
Minneapolis, Minnesota 55420

The above remedy of product defects through repair by an Authorized TORO Distributor or Commercial Dealer is the purchaser's sole remedy for any defect.

THERE IS NO OTHER EXPRESS WARRANTY. ALL IMPLIED WARRANTIES OF MERCHANTABILITY AND FITNESS FOR USE ARE LIMITED TO THE DURATION OF THE EXPRESS WARRANTY.

Some states do not allow limitations on how long an implied warranty lasts, so the above limitation may not apply to you.

This Warranty applies only to parts or components which are defective and does not cover repairs necessary due to normal wear, misuse, accidents, or lack of proper maintenance. Regular, routine maintenance of the unit to keep it in proper condition is the responsibility of the owner.

All warranty repairs reimbursable under the Toro Promise must be performed by an Authorized TORO Commercial Dealer or Distributor using Toro approved replacement parts.

Repairs or attempted repairs by anyone other than an Authorized TORO Distributor or Commercial Dealer are not reimbursable under the Toro Promise. In addition, these unauthorized repair attempts may result in additional malfunctions, the correction of which is not covered by warranty.

THE TORO COMPANY IS NOT LIABLE FOR INDIRECT, INCIDENTAL OR CONSEQUENTIAL DAMAGES IN CONNECTION WITH THE USE OF THE PRODUCT INCLUDING ANY COST OR EXPENSE OF PROVIDING SUBSTITUTE EQUIPMENT OR SERVICE DURING PERIODS OF MALFUNCTION OR NON-USE.

Some states do not allow the exclusion or limitation of incidental or consequential damages, so the above limitation or exclusion may not apply to you.

This warranty gives you specific legal rights, and you may also have other rights which vary from state to state.

INDEX

Description	Page		Page
Hood Assembly	1	Steering Assembly	37
Dash Assembly	2	Steering Gear 39-7330	38-39
Wiring Harness — 12 Volt Negative Ground	3	Pump Power Steering No. 39-7360	40
Radiator and Fuel Tank Assembly	4	Seat Assembly (37-0930) and Suspension Assembly (37-0610)	41
Toe Board and Battery Assembly	5	Valve Bank & Hoses — Parkmaster 7	42
Brake, Clutch, Throttle Controls	6-7	Valve Cover and Shield Assembly — Parkmaster 7	43
Frame Assembly	8	Hydraulic Valve Assembly No. 26-0610 — Parkmaster 7	44
Front Axle Assembly	9	Drawbar Assembly No. 1, 2 and 3 Position Parkmaster 7 Unit	45
Front Wheel Hub and Rim — For 9.5 L-14 Tire	10	Main Frame Assembly — Front Parkmaster 7	46
Engine Mounting Components	11	Main Frame Assembly — Front Center Parkmaster 7	47-48
Engine Assembly	12-13	Main Frame Assembly — Rear Parkmaster 7	49-50
Engine	14-18	10" (22-7520) and 12" (22-7530) — Parkmaster 7	51
Starter Motor Assembly No. 36-2650	19	Drawbar Assembly — Parkmaster 7	52
42 Amp. Alternator Assembly No. 39-7370	20	Light Kit No. 38-6310 — Parkmaster 7	53
Distributor Assembly	21	Governor Kit No. 38-2030	54
Carburetor Assembly 18-0740	22-23	Drawbar Kit No. 26-9260	55
Governor Assembly No. 18-1700	24	Front Fender Kit No. 18-2910	56
Hydraulic Pump and Reservoir	25	Roll Over Protection Kit No. 77021	57
Hydraulic Pump No. 18-8440	26	Cab Assembly Kit No. 70155	58
Clutch Assembly	27	Cab Assembly Kit No. 70155 (Continued) Pressurizer Assembly No. 39-8300	59
Transmission Assembly No. 36-9320	28-29	Cab Mounting Kit No. 70157	60
Transmission Cover	30	Cab Mounting Kit No. 70157 (Continued) (61 Amps Alternator Assembly No. 39-7400)	61
Rear Axle (36-9830) and Drive Line (36-9250)	31-32		
Rear Brake Assembly (37-1010 R.H. & 37-1020 L.H.)	33-34		
Rear Tires and Rims 7.50 x 16 Field Installed Kit #70230 (Parkmaster 7)	35		
Rear Tires and Rims 8.00 x 16 Field Installed Kit #70200 (Optional) (Parkmaster 7)	36		

