



Count on it.

Parts Catalog

**Z Master[®] Professional 6000
Series Riding Mower**

**with 60in TURBO FORCE[®] Side Discharge
Mower**

Model No. 72980—Serial No. 414078400 and Up



Ordering Replacement Parts

To order replacement parts, please supply the part number, the quantity, and the description of each part desired.

Understanding Reference Numbers

Each identified part in an illustration has a reference number. The reference number for a part also appears in the parts list, along with other information about the part.

This catalog uses two special reference number formats, one to indicate parts in a service assembly and another to indicate the quantity of a given part in an illustration.

Service Assembly Reference Numbers

Parts in service assemblies have reference numbers in the form a:b. The a represents the reference number of the entire service assembly and the b represents a sequential number unique to each part within the service assembly.

For example, a wheel assembly might be identified by reference number 6, the tire by 6:1, the valve by 6:2, and the wheel by 6:3. When you order the assembly identified by reference number 6, you receive all parts identified by reference numbers 6:1, 6:2, and 6:3. However, you may also order any part individually. Reference numbers of this type appear in illustration and in parts lists.

Reference Numbers Indicating Quantity

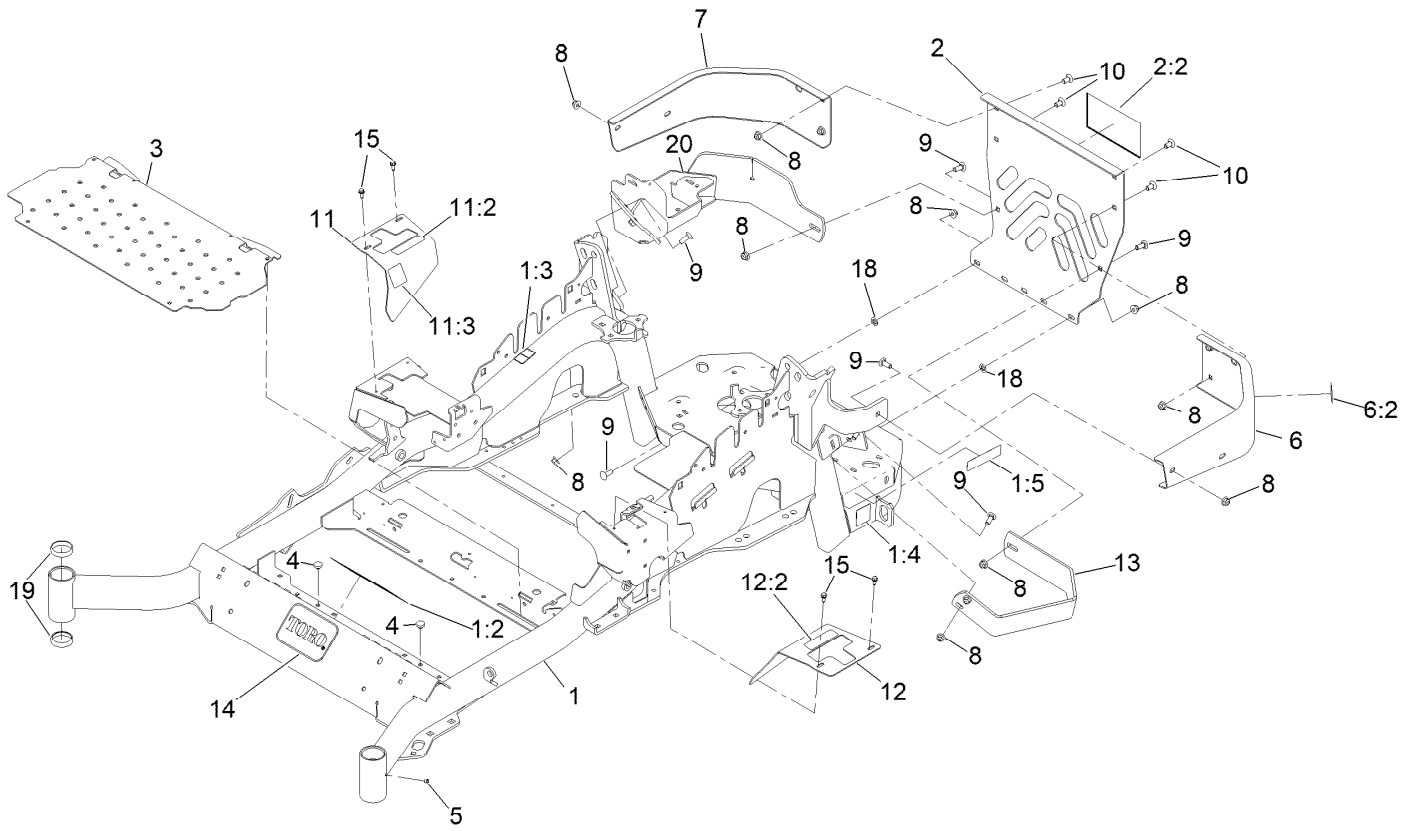
In an illustration, if a reference number indicates more than one part, the reference number has the form nX y. The n represents the quantity of the part, the X is the multiplication symbol, and the y represents the reference number.

For example, in an illustration, the reference number 2X 37 means that two of the parts identified by reference number 37 are indicated.

Contents

Frame Assembly	4
Roll-Over Protection System Assembly No. 116-0231	6
Caster Fork and Wheel Assembly (HD Model Only)	8
Hydraulic Drive Assembly	10
Pump Idler Assembly No. 116-1255	12
LH Hydro Assembly No. 135-7907	14
RH Hydro Assembly No. 135-7908	16
Rear Wheel Assembly	18
Park Brake Assembly	20
Fuel Assembly	22
Fuel Tank Assembly No. 135-0643	24
Seat Mounting Assembly	26
Seat Assembly No. 147-4984	28
Motion Control Assembly	30
Console and Control Panel Assembly	32
RH Console Assembly No. 115-7400	34
LH Console Assembly No. 115-7401	36
Electrical Assembly	38
Deck Lift Assembly	40
Height-of-Cut Assembly No. 109-7438	42
Engine, Clutch and Muffler Assembly	44
Deck Assembly	46
Deck Decal Assembly No. 140-1169	48
Rubber Deflector Assembly No. 108-2792	50
Idler Arm Assembly	52
Frame Decal Assembly	54
Attachments and Accessories	56

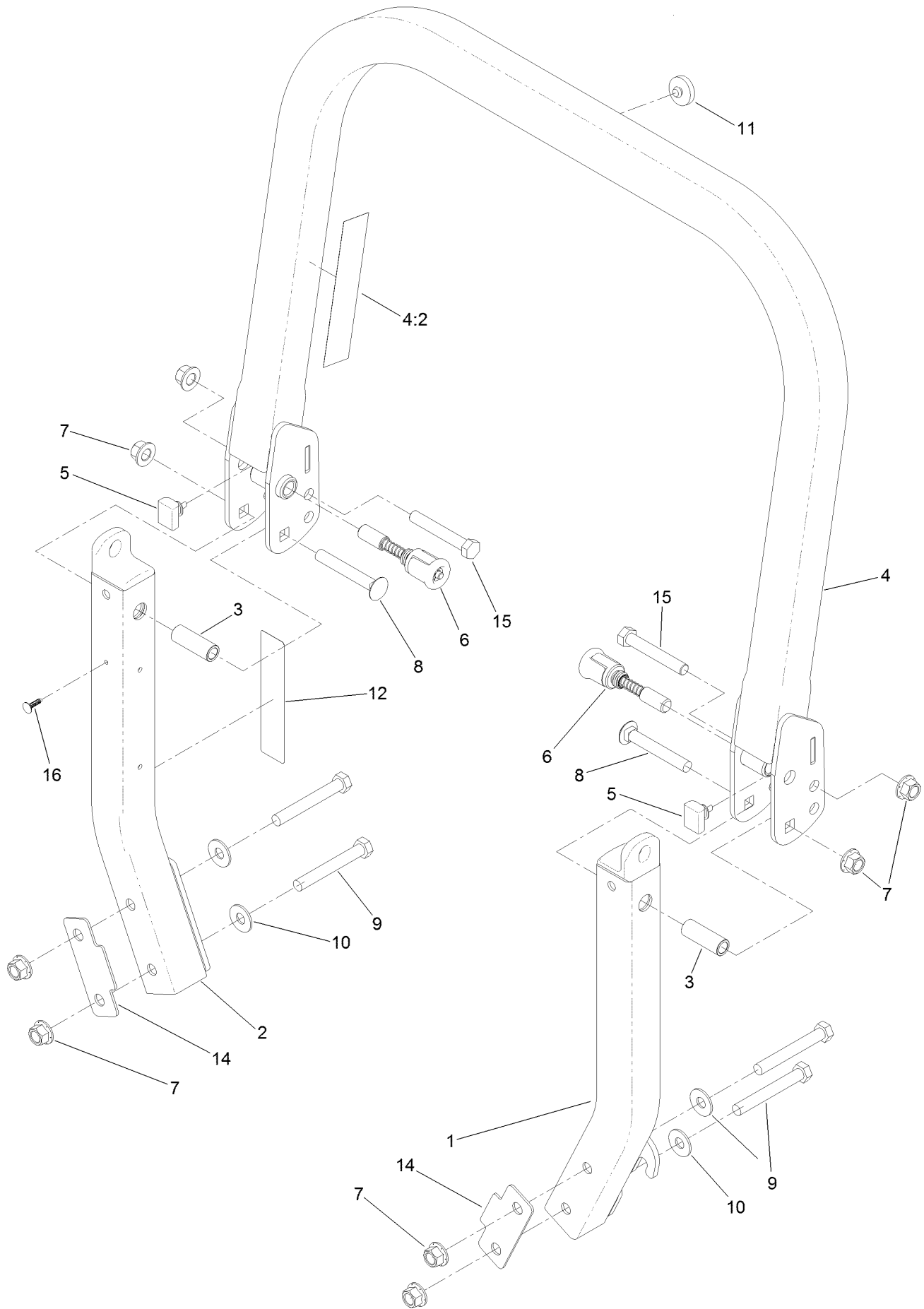
Frame Assembly



Frame Assembly (continued)

<i>Ref.</i>	<i>Part Number</i>	<i>Qty.</i>	<i>Description</i>	<i>Ref.</i>	<i>Part Number</i>	<i>Qty.</i>	<i>Description</i>
1	142-7265	1	Mainframe Service ASM - 60	9	3231-22	10	Screw-CARR
1:2	132-0871	1	Decal-Danger	10	3231-21	4	Screw-CARR
1:3	106-5517	2	Decal-Warning	11	116-5899	1	RH Motion Control Cover ASM
1:4	106-2655	2	Decal-Hazard, Pinched Finger	11:2	99-8936	1	Decal-Control, Motion
1:5	133-8062	1	Decal-Arrestor, Spark	11:3	116-5988	1	Decal-Park Brake, CE
2	115-7410	1	Rear Guard ASM	12	116-0580	1	LH Motion Control Cover ASM
2:2	67-7320	1	Decal	12:2	99-8936	1	Decal-Control, Motion
3	116-8898-01	1	Floorpan	13	126-2067-03	1	Guard-Muffler
4	1-513658	2	Bumper	14	68-3640	1	Decal
5	1-811010	2	Plug	15	32144-10	4	Screw-HWH
6	116-0180	1	LH Bumper ASM	18	107-3154	2	Nut-Push
6:2	106-5517	1	Decal-Warning	19	1-543508	4	Cup-Bearing
7	116-0057-03	1	Bumper-RH	20	142-6295-03	1	Battery Guard ASM [black]
8	104-8301	14	Nut-HF, NI				

Roll-Over Protection System Assembly No. 116-0231

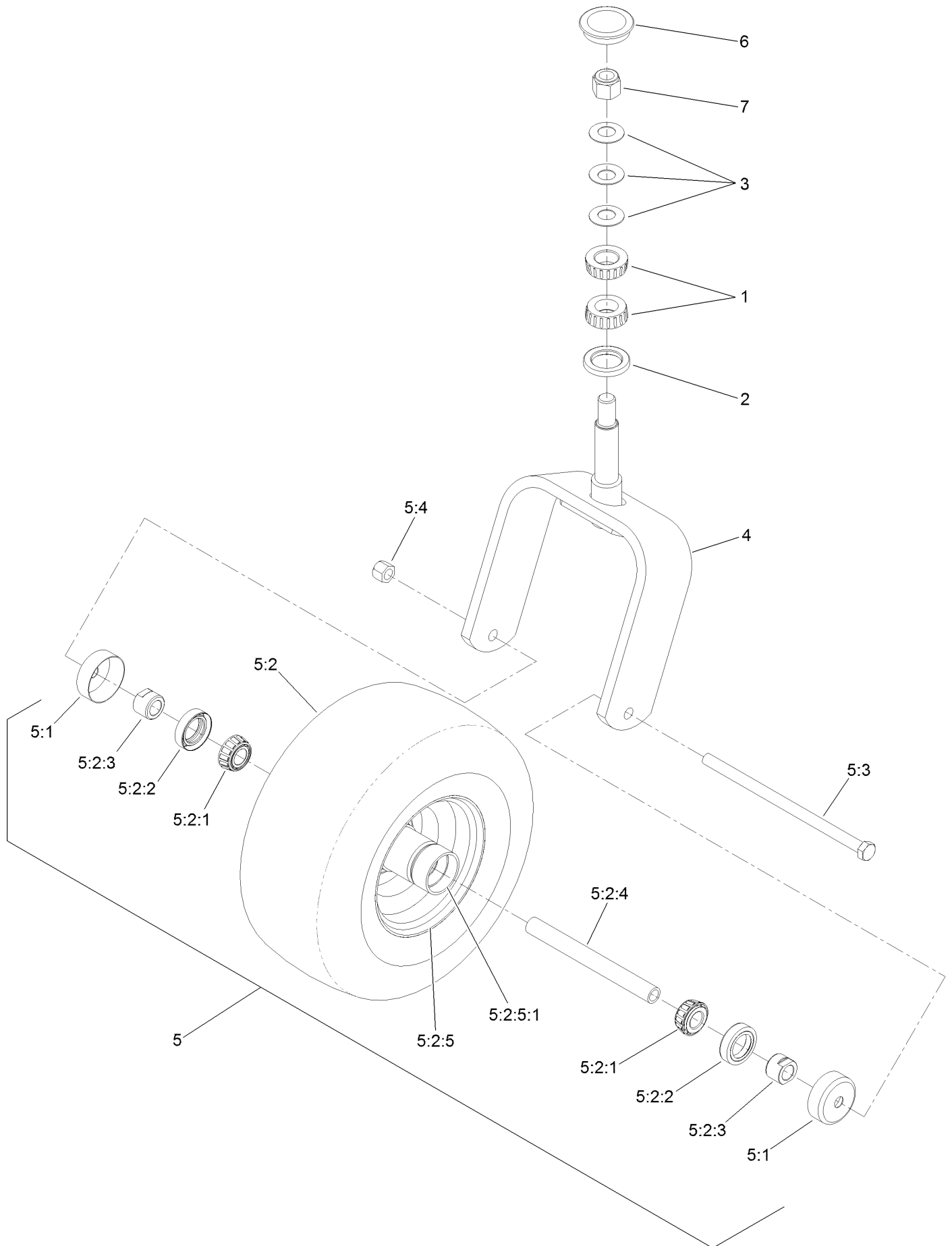


Roll-Over Protection System Assembly No. 116-0231 (continued)

<i>Ref.</i>	<i>Part Number</i>	<i>Qty.</i>	<i>Description</i>	<i>Ref.</i>	<i>Part Number</i>	<i>Qty.</i>	<i>Description</i>
1		1	Leg-ROPS, LH ●	8	3233-10	2	Screw-CARR
2		1	Leg-ROPS, RH ●	9	325-35	4	Screw-HH
3	109-6653	2	Spacer	10	109-9505	4	Washer-Spring
4		1	Upper ROPS ASM ●	11	109-9233	1	Bumper-Push-In, Rubber
4:2	107-3069	1	Decal-Warning	12	117-0346	1	Decal-Caution, Fuel Vent
5	109-5337	2	Bumper-ROPS	14	116-0960	2	Spacer
6	116-0104	2	Pin-Spring	15	325-13	2	Screw-HH
7	99-5107	8	Nut-Lock	16	125-8067	1	Plug-Plastic

● Not serviced separately

Caster Fork and Wheel Assembly (HD Model Only)



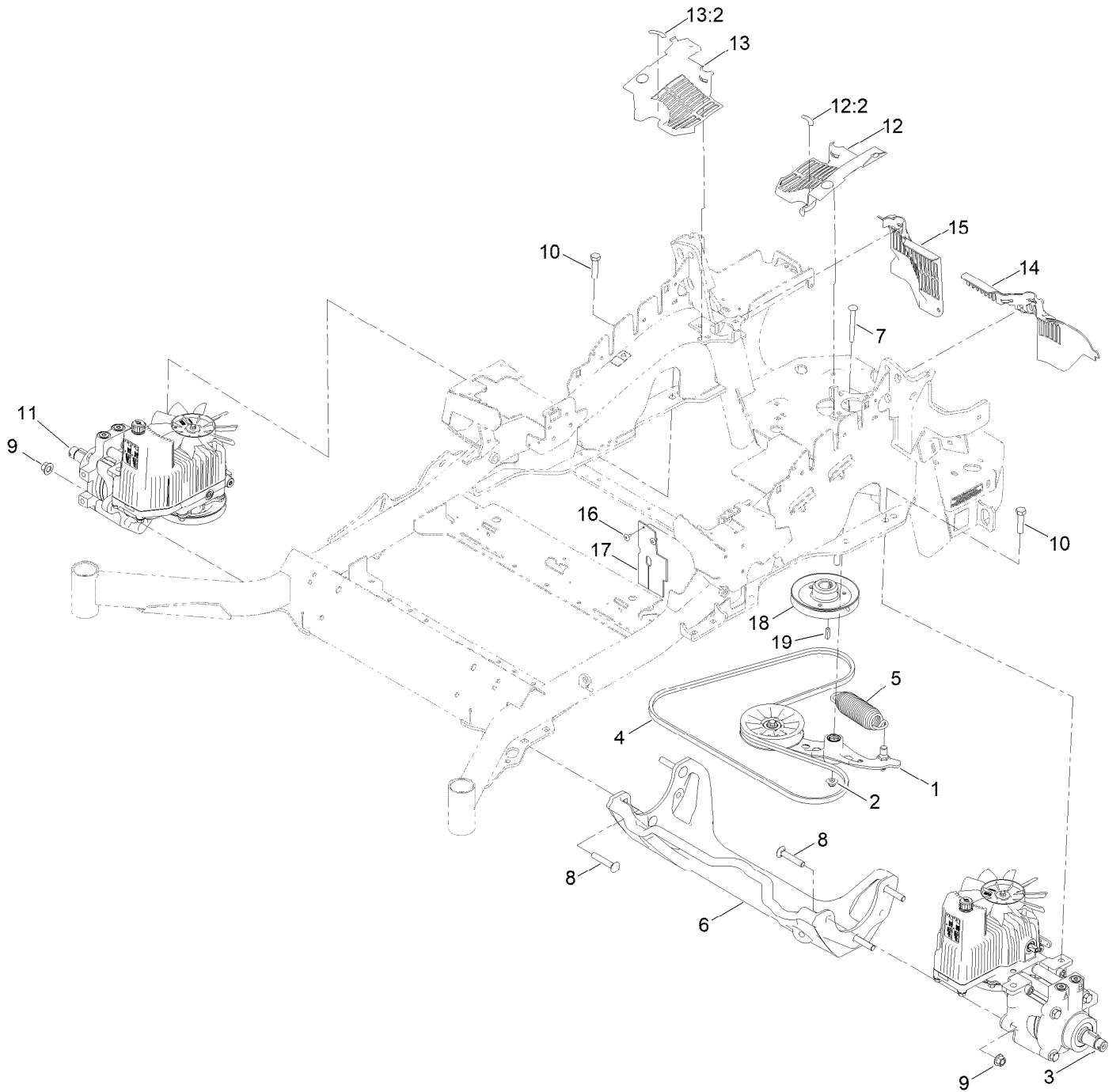
Caster Fork and Wheel Assembly (HD Model Only) (continued)

<i>Ref.</i>	<i>Part Number</i>	<i>Qty.</i>	<i>Description</i>	<i>Ref.</i>	<i>Part Number</i>	<i>Qty.</i>	<i>Description</i>
1	1-543509	2	Bearing-Roller, Tapered	5:2:3	103-3051	1	Spacer-Nut ■
2	116-5647	1	Seal-Grease	5:2:4	126-5361	1	Axle Caster ASM
3	1-633508	3	Washer-Bellville	5:2:5		1	Wheel And Tire ASM ●
4	116-6707-01	1	Caster	5:2:5:1	1-633584	2	Bearing-Cup
5	127-9528	1	Wheel And Axle ASM	5:3	325-39	1	Screw-HH
5:1	103-2768	2	Guard-Seal	5:4	3296-23	1	Nut-Lock, NI
5:2		1	Wheel And Bearing ASM ●	6	103-4882	1	Cap-Grease
5:2:1	1-633585	2	Bearing-Cone, Taper	7	3296-51	1	Nut-Lock, NI
5:2:2	103-0063	2	Seal-Caster				

● Not serviced separately

■ Use Pro-Lock, Nut Type (P/N 1-840022, .5ml tube) on threads.

Hydraulic Drive Assembly



Hydraulic Drive Assembly (continued)

<i>Ref.</i>	<i>Part Number</i>	<i>Qty.</i>	<i>Description</i>	<i>Ref.</i>	<i>Part Number</i>	<i>Qty.</i>	<i>Description</i>
1	116-1255	1	Pump Idler ASM	13	116-0171	1	RH Hydro Guard ASM
2	109-6658	1	Nut-Flange, NI	13:2	116-8726	1	Decal-Oil, Hydro
3	135-7907	1	Hydro-LH	14	142-6499	1	Guard-Hydro, Rear LH
4	126-9835	1	Belt-V	15	109-9058	1	Guard-Hydro, Rear (RH)
5	116-6317	1	Spring-Extension	16	1-803035	2	Rivet-Pop
6	116-7558	1	Cradle-Hydro	17	116-2362	1	Deflector-Air Flow
7	116-1502	1	Bolt-Shoulder, Carriage	18	142-9445	1	Sheave, W/Hub
8	126-0095	6	Screw-CARR	19	1-807259	1	Key
9	99-5107	6	Nut-Lock	99	114-4713	1	Hypr-Oil 500 (Quart)●
10	325-8	4	Screw-HH	99	114-4714	1	Hypr-Oil 500 (Gallon)●
11	135-7908	1	Hydro-RH	99	114-4715	1	Hypr-Oil 500-5 (5 Gallon)●
12	116-0170	1	LH Hydro Guard ASM	99	117-0390	1	Filter-Hydro
12:2	116-8726	1	Decal-Oil, Hydro				

● Not illustrated

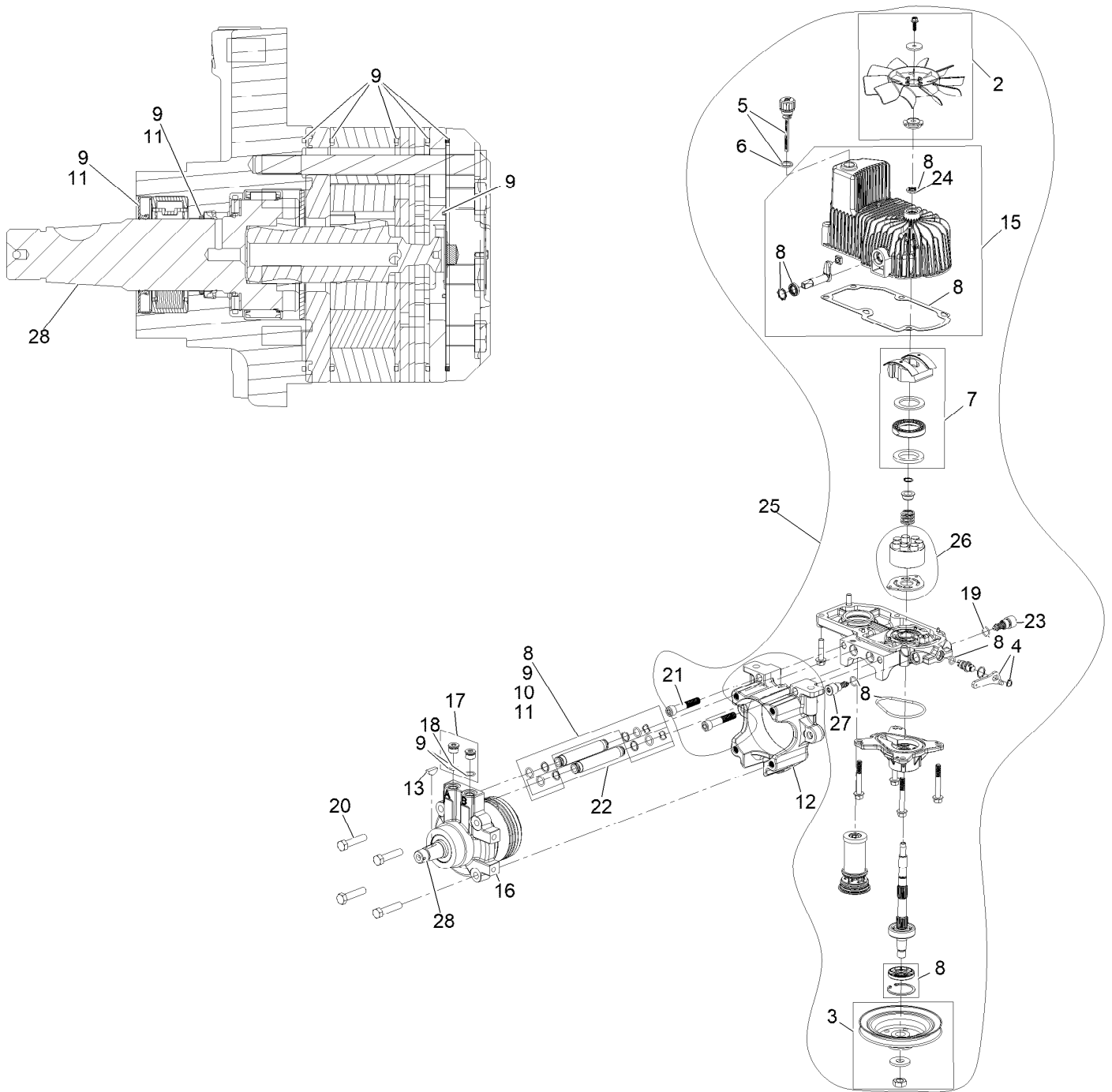
Pump Idler Assembly No. 116-1255



Pump Idler Assembly No. 116-1255 (continued)

<i>Ref.</i>	<i>Part Number</i>	<i>Qty.</i>	<i>Description</i>	<i>Ref.</i>	<i>Part Number</i>	<i>Qty.</i>	<i>Description</i>
2	43-0940	1	Spacer	8	323-8	1	Screw-HH
3	103-3504	2	Bearing-Spherical	9	32120-10	2	Ring-Snap
4	103-3505	1	Seal-Lip, Double	10	302-19	1	Fitting-Grease
5	103-3506	1	Seal-Lip, Single	11	109-8076	1	Pulley-Idler
6	109-6658	1	Nut-Flange, NI	12	132-4724	1	Pin-Anchor, Spring
7	106-7159	2	O-Ring				

LH Hydro Assembly No. 135-7907

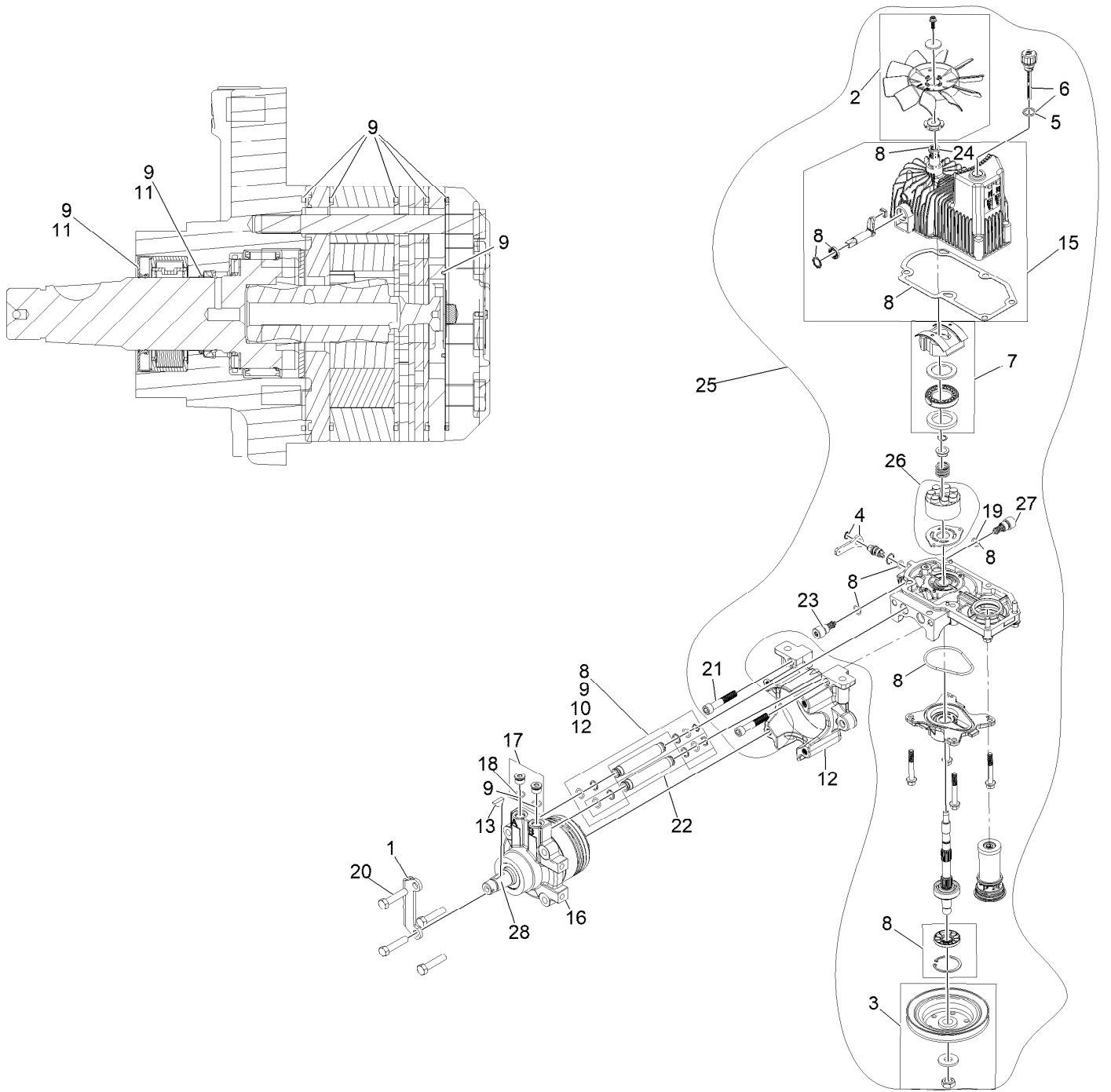


LH Hydro Assembly No. 135-7907 (continued)

<i>Ref.</i>	<i>Part Number</i>	<i>Qty.</i>	<i>Description</i>	<i>Ref.</i>	<i>Part Number</i>	<i>Qty.</i>	<i>Description</i>
2	142-3603	1	Kit, 7.8 In Fan	17	116-7901	1	Magnetic Plugs Service Kit
3	116-0234	1	Pulley Kit	18	76-1900	2	O-Ring
4	116-0235	1	Handle	19	116-8662	2	O-Ring-Valve, Check
5	116-0236	1	Dipstick	20	116-8974	4	Screw-HH 1/2-20 X 2 1/4
6	116-0237	1	Gasket	21	116-8975	2	Screw-HSH 1/2-20 X 2 3/4
7	116-1367	1	Swash Block Kit	22	116-9922	2	Hydraulic Tube Kit
8	142-3604	1	Kit, Pump Seal	23	126-7467	1	Shock Valve, 16Cc Hydro
9	116-1369	1	Motor Seal Kit	24	126-7711	1	Seal-Drive, Fan
10	116-1370	1	Tube Seal Kit	25	142-3607	1	Kit, Pump Section 16Cc LH
11	116-1371	1	Output Shaft Seal Kit	26	142-4501	1	Kit - 16Cc Port Plate, Rotate Grp
12	116-5469	1	Cup-Nose				
13	3257-42	1	Key-Woodruff 5/16 X 1	27	142-4458	1	Shock Valve Orificed 3300
15	142-4460	1	Kit, Housing-Hydro LH	28	146-3749	1	Output Shaft- TI Uht Motor
16	146-1948	1	HYD Motor, 280Cc LH Sealed	99	116-1373	1	Flow Test Kit ●

● Not illustrated

RH Hydro Assembly No. 135-7908



RH Hydro Assembly No. 135-7908 (continued)

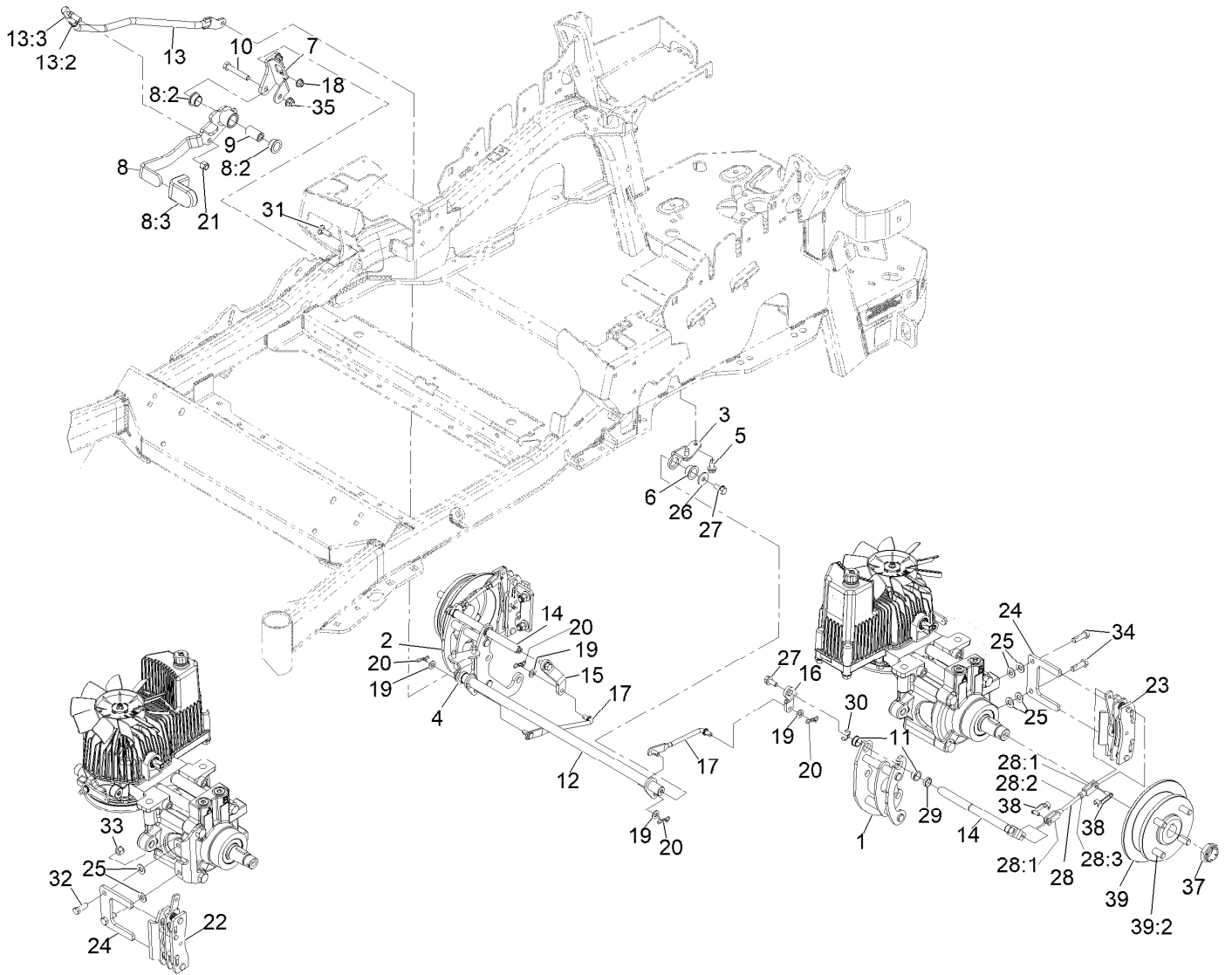
<i>Ref.</i>	<i>Part Number</i>	<i>Qty.</i>	<i>Description</i>	<i>Ref.</i>	<i>Part Number</i>	<i>Qty.</i>	<i>Description</i>
1	135-7827	1	Plate, Horse Shoe Mount	17	116-7901	1	Magnetic Plugs Service Kit
2	142-3603	1	Kit, 7.8 In Fan	18	76-1900	2	O-Ring
3	116-0234	1	Pulley Kit	19	116-8662	2	O-Ring-Valve, Check
4	116-0235	1	Handle	20	116-8974	4	Screw-HH 1/2-20 X 2 1/4
5	116-0237	1	Gasket	21	116-8975	2	Screw-HSH 1/2-20 X 2 3/4
6	116-0236	1	Dipstick	22	116-9922	2	Hydraulic Tube Kit
7	116-1367	1	Swash Block Kit	23	126-7467	1	Shock Valve, 16Cc Hydro
8	142-3604	1	Kit, Pump Seal	24	126-7711	1	Seal-Drive, Fan
9	116-1369	1	Motor Seal Kit	25	142-3606	1	Kit, Pump Section 16Cc RH
10	116-1370	1	Tube Seal Kit	26	142-4501	1	Kit - 16Cc Port Plate, Rotate Grp
11	116-1371	1	Output Shaft Seal Kit				
12	116-5469	1	Cup-Nose	27	142-4458	1	Shock Valve Orificed 3300
13	3257-42	1	Key-Woodruff 5/16 X 1	28	146-3749	1	Output Shaft- TI Uht Motor
15	142-4461	1	Kit, Housing-Hydro RH	99	116-1373	1	Flow Test Kit ●
16	146-1947	1	HYD Motor, 280Cc RH Sealed	99	116-4245	1	Puller-Pulley

● Not illustrated

Rear Wheel Assembly (continued)

<i>Ref.</i>	<i>Part Number</i>	<i>Qty.</i>	<i>Description</i>	<i>Ref.</i>	<i>Part Number</i>	<i>Qty.</i>	<i>Description</i>
1	127-9520	2	Wheel And Tire ASM	2	242-50	8	Nut-Lug
1:1	127-9517	1	Wheel	3	126-2055	2	Decal-Torque, Wheel Hub Lug
1:2	1-633993	1	Tire				
1:3	232-27	1	Stem-Valve				

Park Brake Assembly

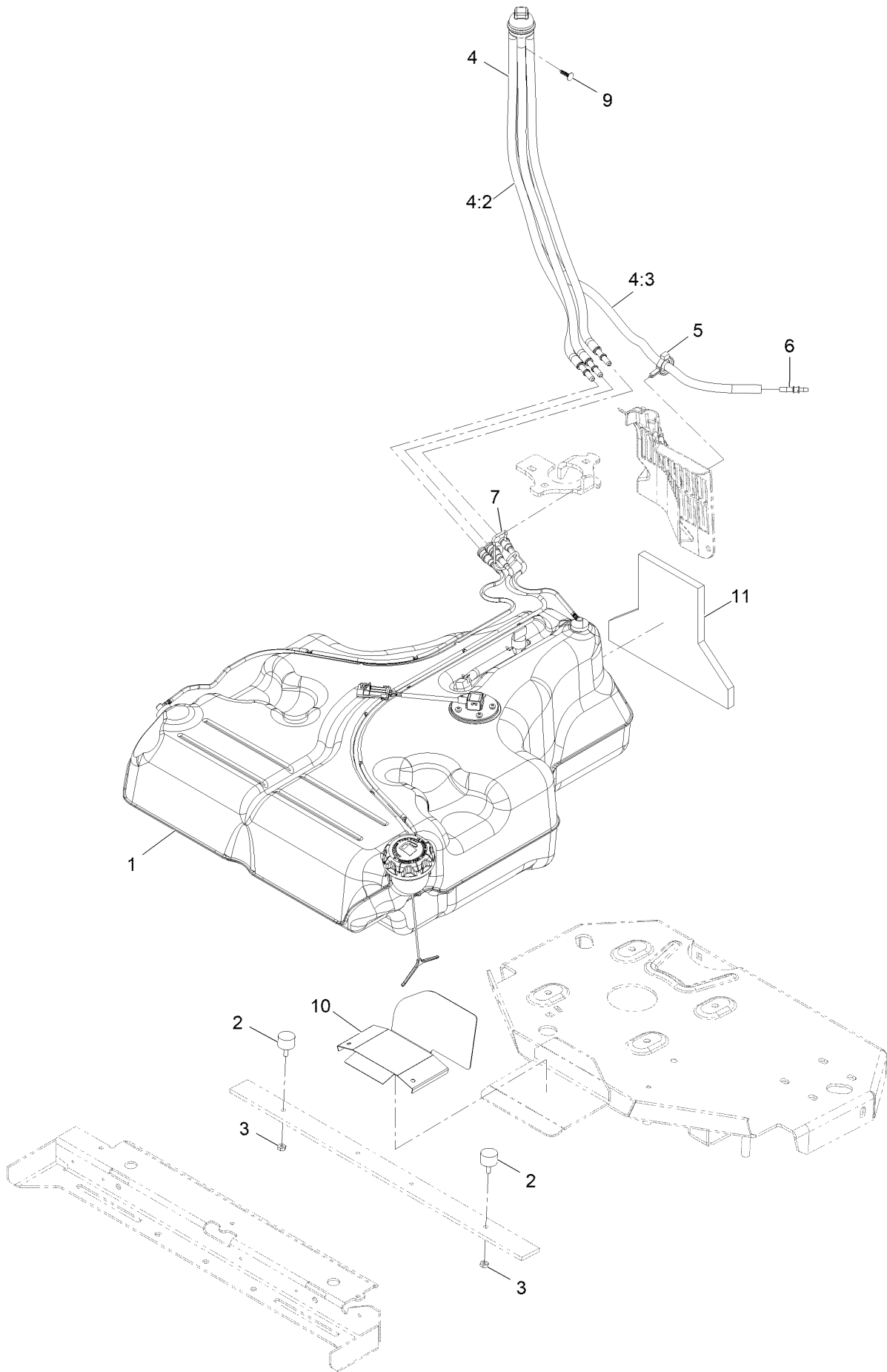


REAR VIEW OF
RIGHT HAND HYDRO

Park Brake Assembly (continued)

<i>Ref.</i>	<i>Part Number</i>	<i>Qty.</i>	<i>Description</i>	<i>Ref.</i>	<i>Part Number</i>	<i>Qty.</i>	<i>Description</i>
1	126-4248	1	Mount-Bellcrank, LH	20	119-1415	4	Pin-Cotter, Locking
2	126-4249	1	Mount-Bellcrank, RH	21	3296-6	1	Nut-Nyloc 3/8-24
3	116-9681	1	Mount-Pivot, LH	22	135-7440	1	Caliper-Brake, RH
4	116-9682	1	Mount-Pivot, RH	23	135-7441	1	Caliper-Brake, LH
5	32144-70	4	Screw-HWH 5/16-18 X 3/4 Tf	24	135-7828	2	Plate-Mount, Brake
6	109-8054	2	Bushing-Flanged	25	3256-24	6	Washer-3/8 SAE
7	116-9096-01	1	Bracket-Mount	26	115-7109	2	Washer-Flat
8	135-7565	1	Brake Lever ASM	27	98-9940	4	Screw-HHF
8:2	109-8054	2	Bushing-Flanged	28	126-7587	2	Rear Linkage ASM
8:3	132-4749	1	Grip-Lever	28:1	126-7588	2	Yoke
9	116-9117	1	Pivot-Handle, Brake	28:2	116-9069	1	Linkage, Rear
10	323-11	1	Screw-HH 3/8-16 X 2 1/4	28:3	3220-1	1	Nut-Jam 1/4-28
11	126-6199	4	Bushing	29	126-6200	2	Spacer
12	135-7800	1	Shaft-Cross	30	32120-19	2	E-Ring
13	135-7805	1	ASM, Front Linkage	31	3230-2	2	Bolt-Carriage 5/16-18 X 1
13:2	94-7572	1	End-Tie Rod, RH	32	135-7915	2	Screw-HH,
13:3	3220-3	1	Nut-Jam 3/8-24	33	112-0236	2	Nut-Lock
14	126-4251	2	Bellcrank	34	135-7890	2	Screw-HH, Patch,
15	126-3716	1	Arm-Inner, RH	35	104-8301	1	Nut-Nyloc 3/8-16 Flg
16	126-3715	1	Arm-Inner, LH	37	116-1399	2	Locknut
17	142-6328	2	Mid-Link, Short	38	126-6395	4	Pin-Clevis, Spring
18	104-8300	2	Nut-Nyloc 5/16-18 Flg	39	142-2701	2	Wheel Hub ASM
19	3256-23	4	Washer-5/16 SAE	39:2	116-1696	4	Stud-Wheel

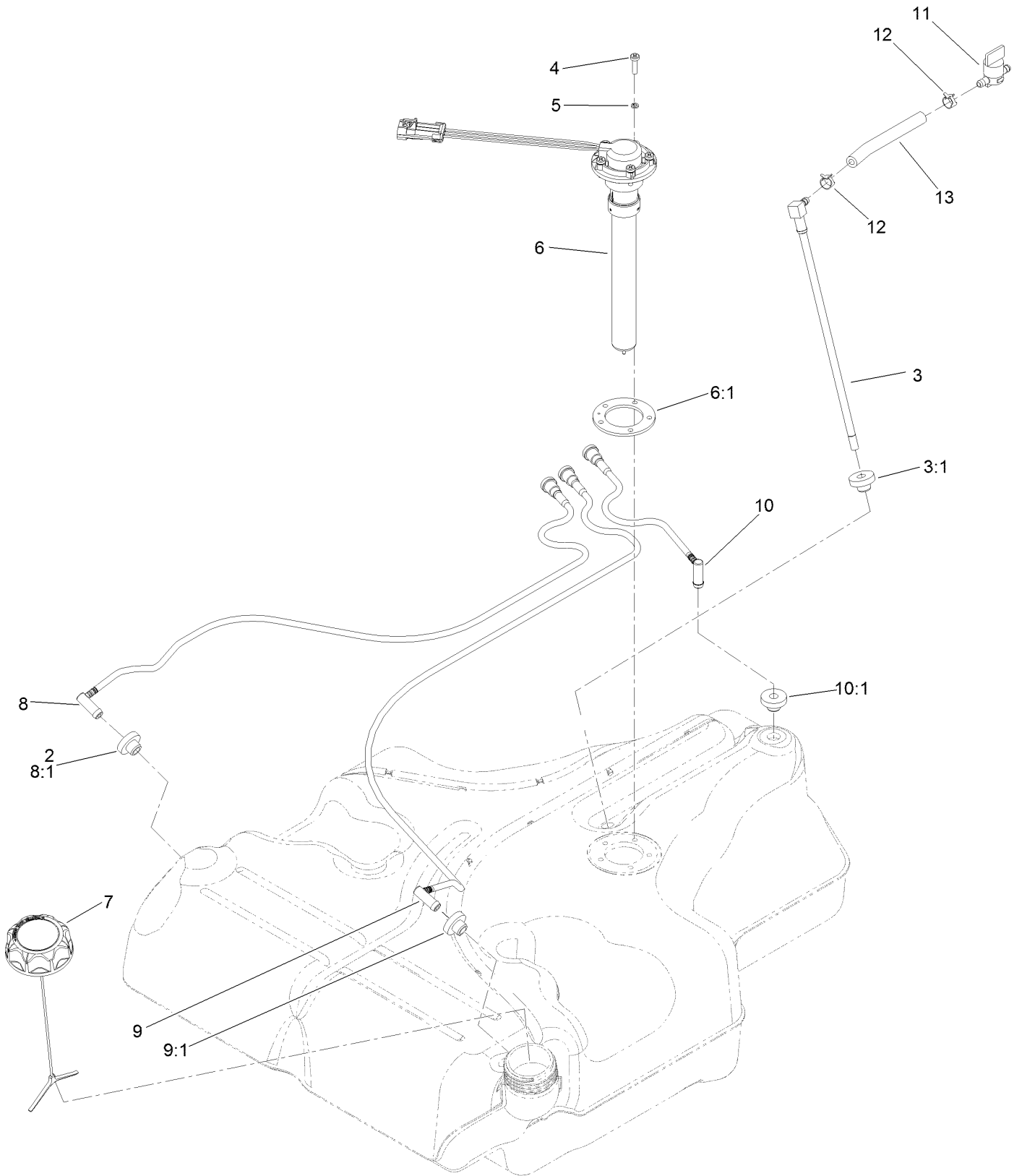
Fuel Assembly



Fuel Assembly (continued)

<i>Ref.</i>	<i>Part Number</i>	<i>Qty.</i>	<i>Description</i>	<i>Ref.</i>	<i>Part Number</i>	<i>Qty.</i>	<i>Description</i>
1	135-0643	1	Fuel Tank ASM	5	105-1853	1	Clamp-Hose
2	1-523420	2	Bumper	6	135-5678	1	Barb-Fuel
3	3218-1	2	Nut-Jam 1/4-20	7	116-6005	1	Retainer-Line, Vapor
4	127-0583	1	Fuel Manifold Vent ASM	9	125-8067	1	Plug-Plastic
4:2	109-0302	3	Hose-Fuel Line 24"	10	126-0032-01	1	Guard-Exhaust
4:3	108-5376	1	Hose-Fuel	11	126-0224	1	Insulation-Foam, Fuel Tank

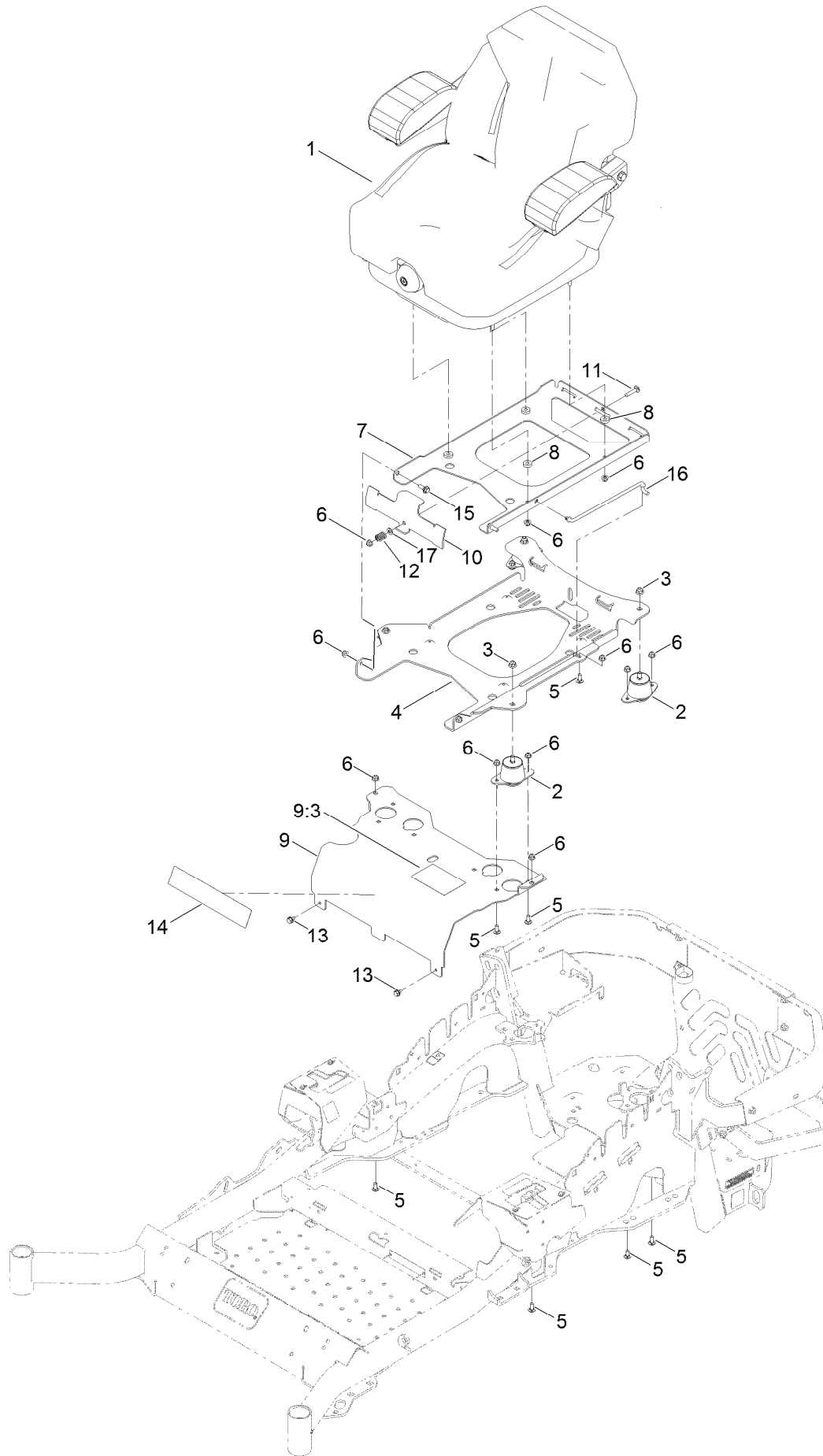
Fuel Tank Assembly No. 135-0643



Fuel Tank Assembly No. 135-0643 (continued)

<i>Ref.</i>	<i>Part Number</i>	<i>Qty.</i>	<i>Description</i>	<i>Ref.</i>	<i>Part Number</i>	<i>Qty.</i>	<i>Description</i>
2	46-6560	4	Bushing	8:1	46-6560	1	Bushing
3	116-2459	1	Fuel Line Kit (With Grommet)	9	116-2461	1	LH Vent Line Kit (With Grommet)
3:1	46-6560	1	Bushing	9:1	46-6560	1	Bushing
4	3290-500	5	Screw-PPH	10	116-2462	1	Rear Vent Line Kit (With Grommet)
5	3253-17	5	Washer-Lock	10:1	46-6560	1	Bushing
6	126-3913	1	Float-Sender, Fuel	11	1-603770	1	Valve-Fuel
6:1	126-3950	1	Gasket-Sender	12	2412-98	2	Clamp-Hose
7	126-1789	1	Cap-Fuel, Ratcheting	13	109-0650	1	Hose-Fuel
8	116-2460	1	RH Vent Line Kit (With Grommet)				

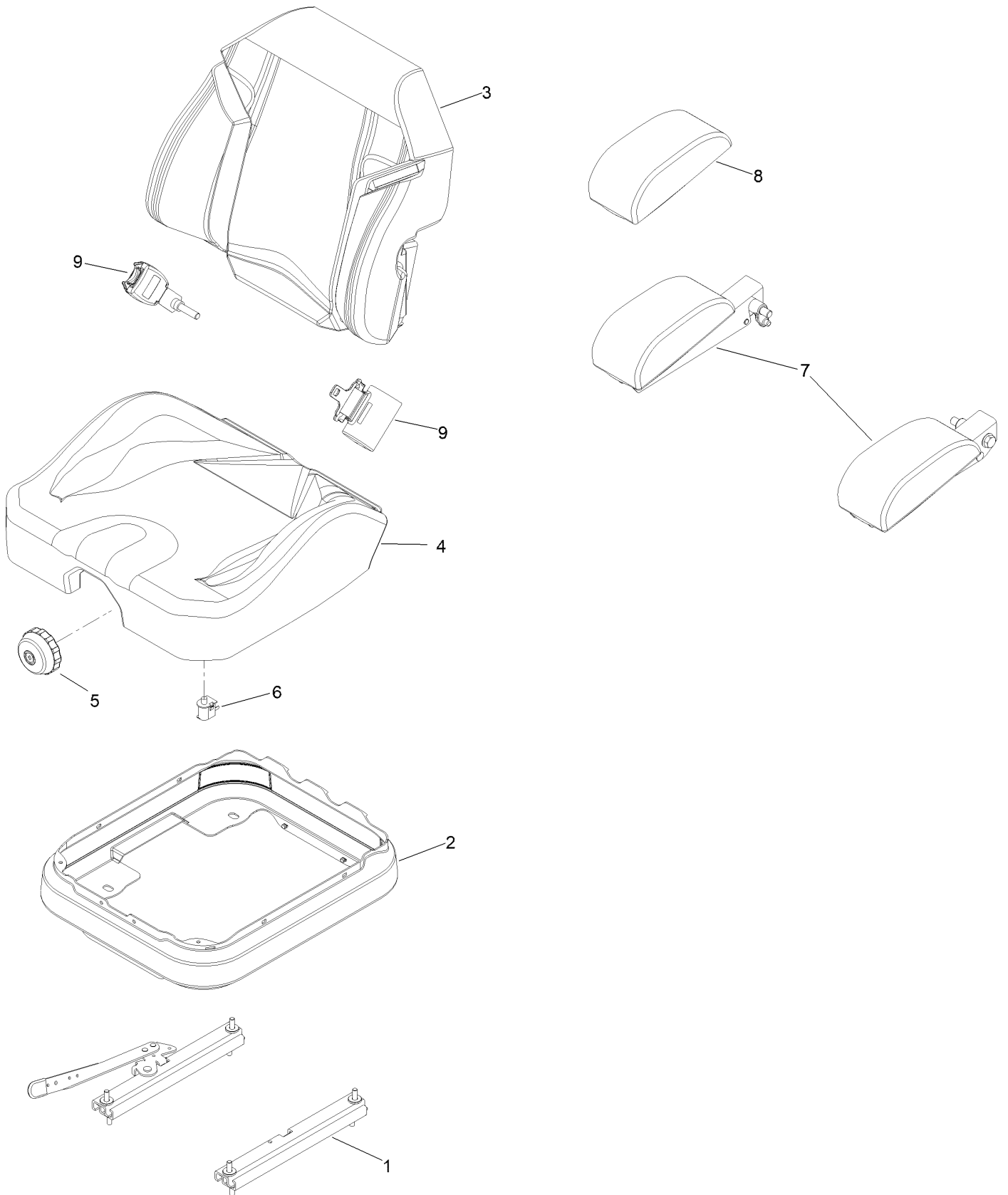
Seat Mounting Assembly



Seat Mounting Assembly (continued)

<i>Ref.</i>	<i>Part Number</i>	<i>Qty.</i>	<i>Description</i>	<i>Ref.</i>	<i>Part Number</i>	<i>Qty.</i>	<i>Description</i>
1	147-4984	1	Seat-Suspension	9:3	125-9383	1	Decal-Service Aid
2	109-9034	4	Isolator-Seat	10	109-9881-03	1	Plate-Latch, Seat
3	104-8301	4	Nut-HF, NI	11	3230-4	1	Bolt-CARR
4	116-3860-03	1	Plate-Tilt, Seat Support	12	107-3017	1	Spring-Compression
5	3230-23	11	Bolt-CARR	13	9266934	2	Screw
6	104-8300	18	Nut-HF, NI	14	140-1215	1	Decal-Console
7	116-3859-03	1	Plate-Frame, Seat	15	116-1297	2	Screw-Shoulder
8	26-4840	4	Spacer-Pin, Mounting	16	116-0070	1	Rod-Prop
9	125-9385	1	Seat Mount ASM	17	3256-23	1	Washer-Plain

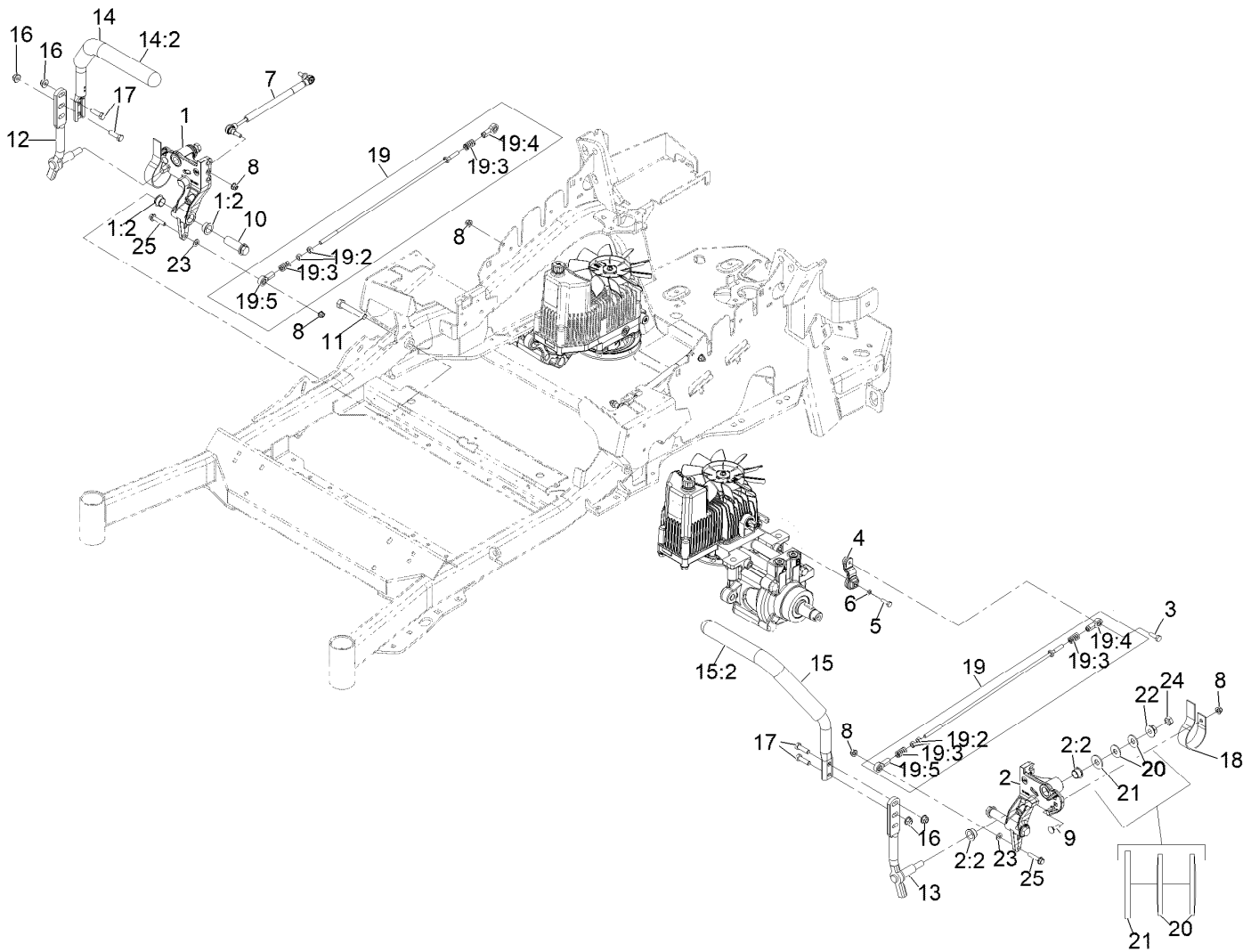
Seat Assembly No. 147-4984



Seat Assembly No. 147-4984 (continued)

<i>Ref.</i>	<i>Part Number</i>	<i>Qty.</i>	<i>Description</i>	<i>Ref.</i>	<i>Part Number</i>	<i>Qty.</i>	<i>Description</i>
1	140-8012	1	Seat Track Set	6	82-2190	1	Switch-Bail
2	116-5659	1	Cover-Suspension Bellows	7	147-4985	1	Armrest Kit
3	140-8004	1	Cover-Back	8	109-9802	1	Arm Rest Pad Set
4	140-8005	1	Cover-Cushion	9	126-2061	1	Seat Belt Service Kit
5	116-8911	1	Knob-Adjuster				

Motion Control Assembly

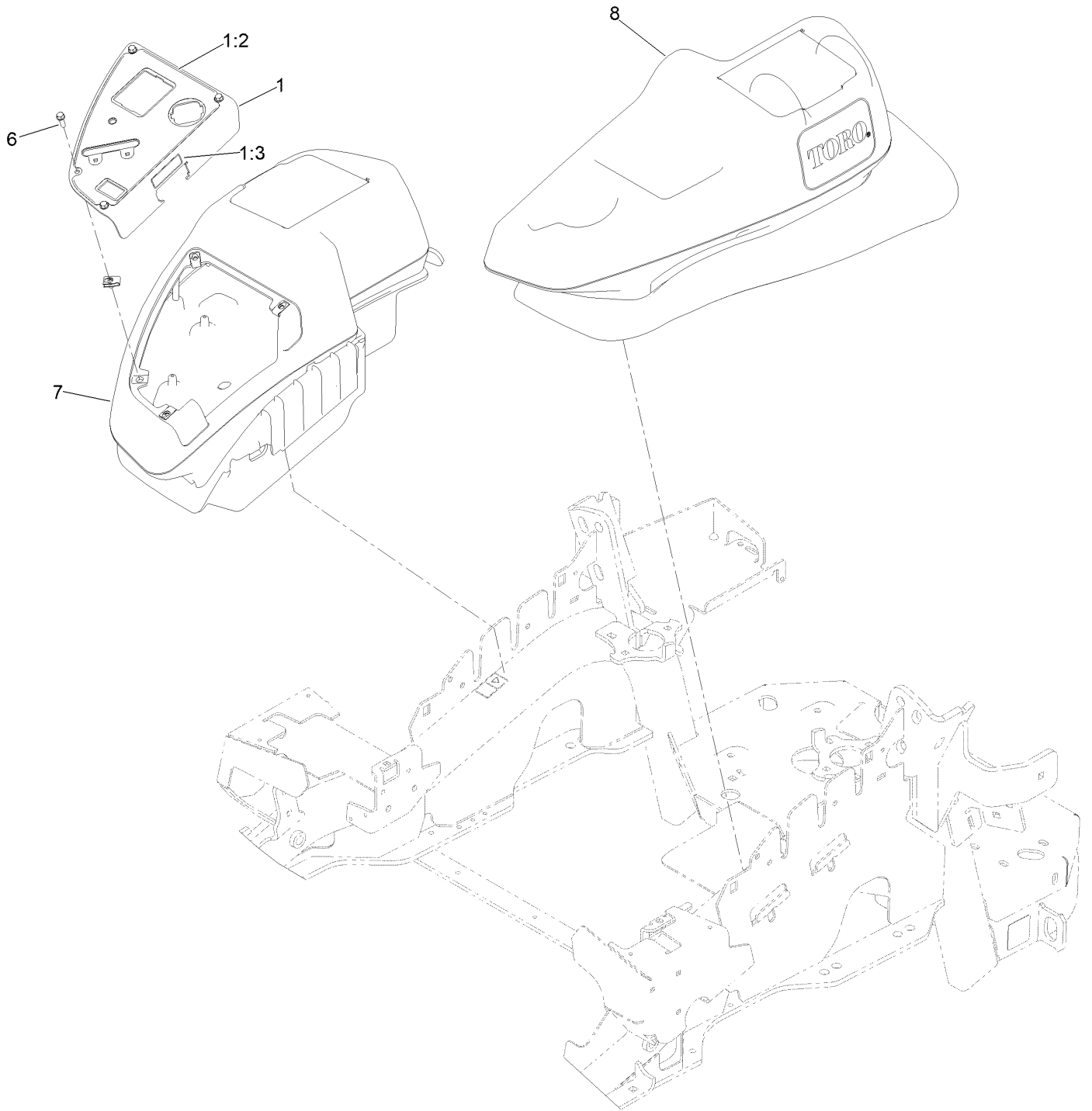


Motion Control Assembly (continued)

<i>Ref.</i>	<i>Part Number</i>	<i>Qty.</i>	<i>Description</i>	<i>Ref.</i>	<i>Part Number</i>	<i>Qty.</i>	<i>Description</i>
1	116-0880	1	RH Motion Control And Bushing ASM	14:2	109-5668	1	Grip-Lever, Control
1:2	109-8054	4	Bushing-Flanged	15	135-4373	1	LH Handle ASM
2	116-0881	1	LH Motion Control And Bushing ASM	15:2	109-5668	1	Grip-Lever, Control
2:2	109-8054	4	Bushing-Flanged	16	104-8301	4	Nut-Nyloc 3/8-16 Flg
3	116-0648	2	Screw-HH 5/16-18 X 1 W/Patch ●	17	323-7	4	Screw-HH 3/8-16 X 1 1/4
4	109-4581	2	Arm-Control, Pump	18	109-5575	2	Spring-Leaf
5	9080046	2	Screw-HH 1/4-20 X 7/8 ●	19	109-8106	2	Front Pump Linkage ASM
6	1-303435	2	Washer-Spring Disc 1/4	19:2	3219-2	2	Nut-Hex 5/16-24
7	116-0027	2	Damper-Control, Motion	19:3	1-323245	2	Spring-Compression
8	104-8300	8	Nut-Nyloc 5/16-18 Flg	19:4	1-633152	1	Balljoint
9	3230-2	2	Bolt-Carriage 5/16-18 X 1	19:5	1-543017	1	Balljoint
10	109-5891	2	Hub-Threaded	20	109-9505	4	Washer, Spring Disc 1/2
11	325-12	2	Screw-HH 1/2-13 X 3	21	3256-6	2	Washer
12	116-0039	1	Lever-Control Motion, RH	22	32128-56	2	Nut-Hex 1/2-13 Flange
13	116-0040	1	Lever-Control Motion, LH	23	3256-23	2	Washer-5/16 SAE
14	135-4371	1	RH Handle ASM	24	3218-5	2	Nut-Jam 1/2-13
				25	115-1794	2	Screw-Hex Flange 5/16-18 X 1 1/2

● Use Pro-Lock, Nut Type (P/N 1-840022, .5ml tube) on threads.

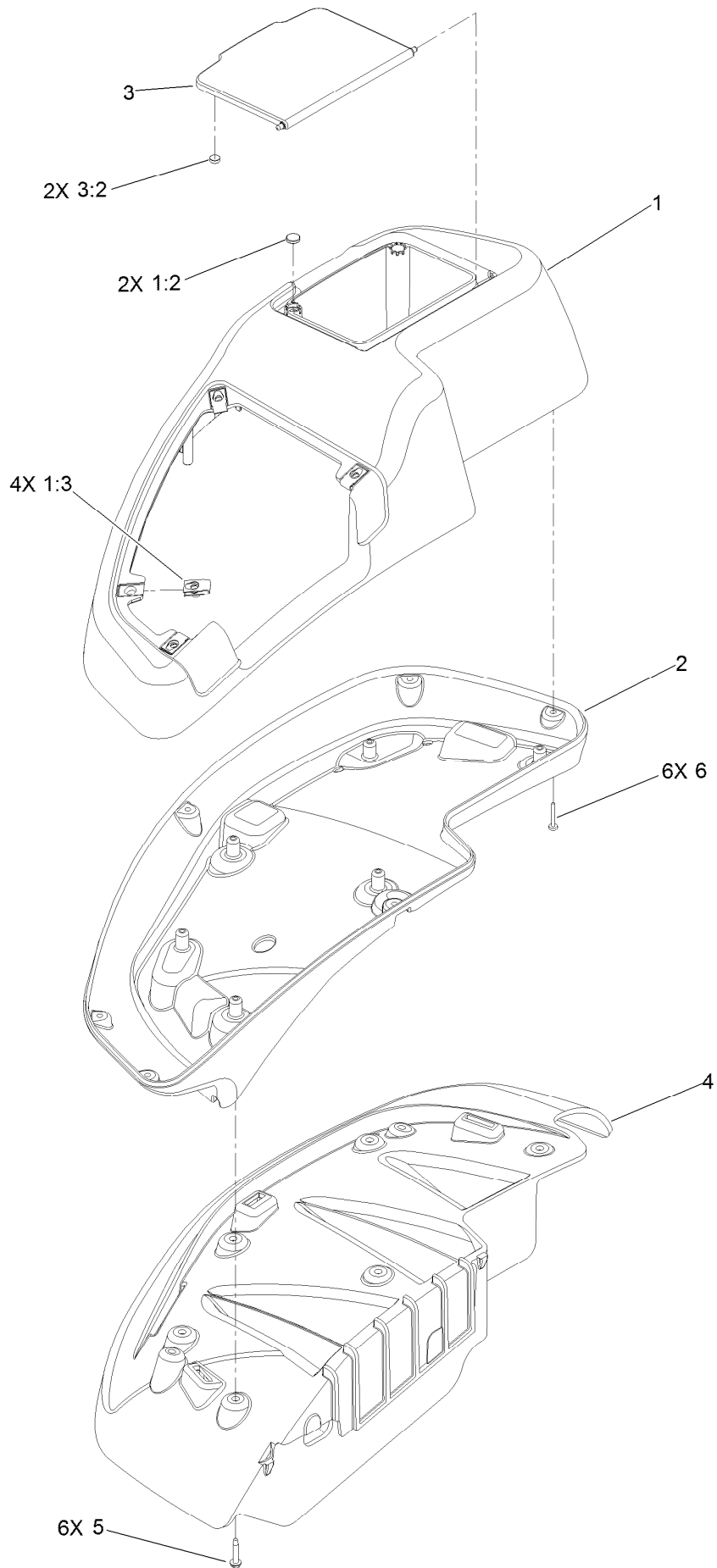
Console and Control Panel Assembly



Console and Control Panel Assembly (continued)

<i>Ref.</i>	<i>Part Number</i>	<i>Qty.</i>	<i>Description</i>	<i>Ref.</i>	<i>Part Number</i>	<i>Qty.</i>	<i>Description</i>
1	119-4232	1	Control Panel ASM	6	32105-15	4	Screw-HWH
1:2	120-5899	1	Decal-Control Panel	7	115-7400	1	RH Console ASM
1:3	114-4466	1	Decal-Fuses	8	115-7401	1	LH Console ASM

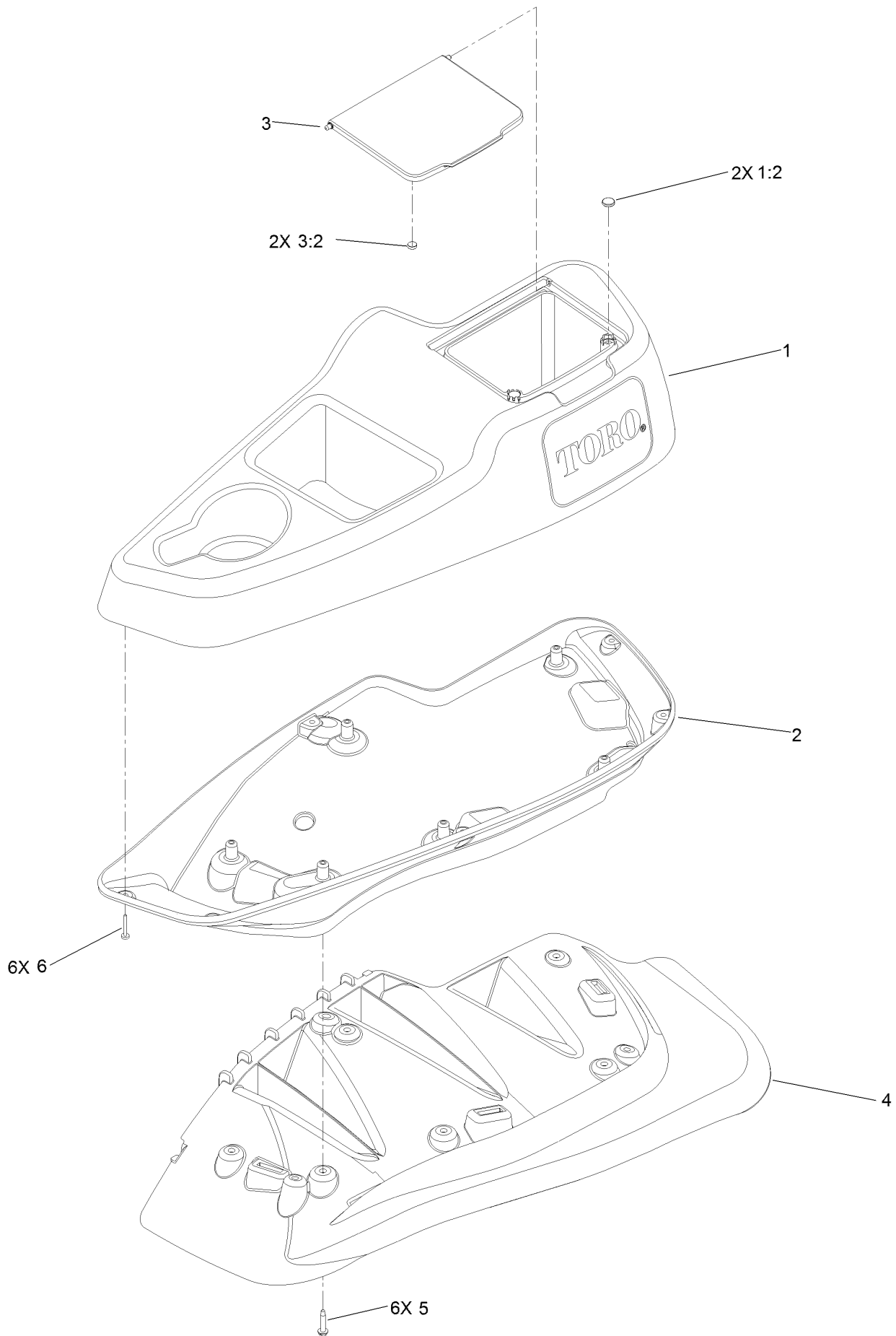
RH Console Assembly No. 115-7400



RH Console Assembly No. 115-7400 (continued)

<i>Ref.</i>	<i>Part Number</i>	<i>Qty.</i>	<i>Description</i>	<i>Ref.</i>	<i>Part Number</i>	<i>Qty.</i>	<i>Description</i>
1	114-1538	1	RH Wide Top Console ASM	3:2	114-5896	2	Magnet
1:2	117-0883	2	Puck	4	109-9083	1	Fender-Wide, RH
1:3	107069	4	Clip	5	32144-89	6	Screw-Thread Forming
2	115-3643	1	Console-Lower, RH Wide	6	117-0347	6	Screw-PPH
3	114-1537	1	Wide Lid ASM				

LH Console Assembly No. 115-7401



LH Console Assembly No. 115-7401 (continued)

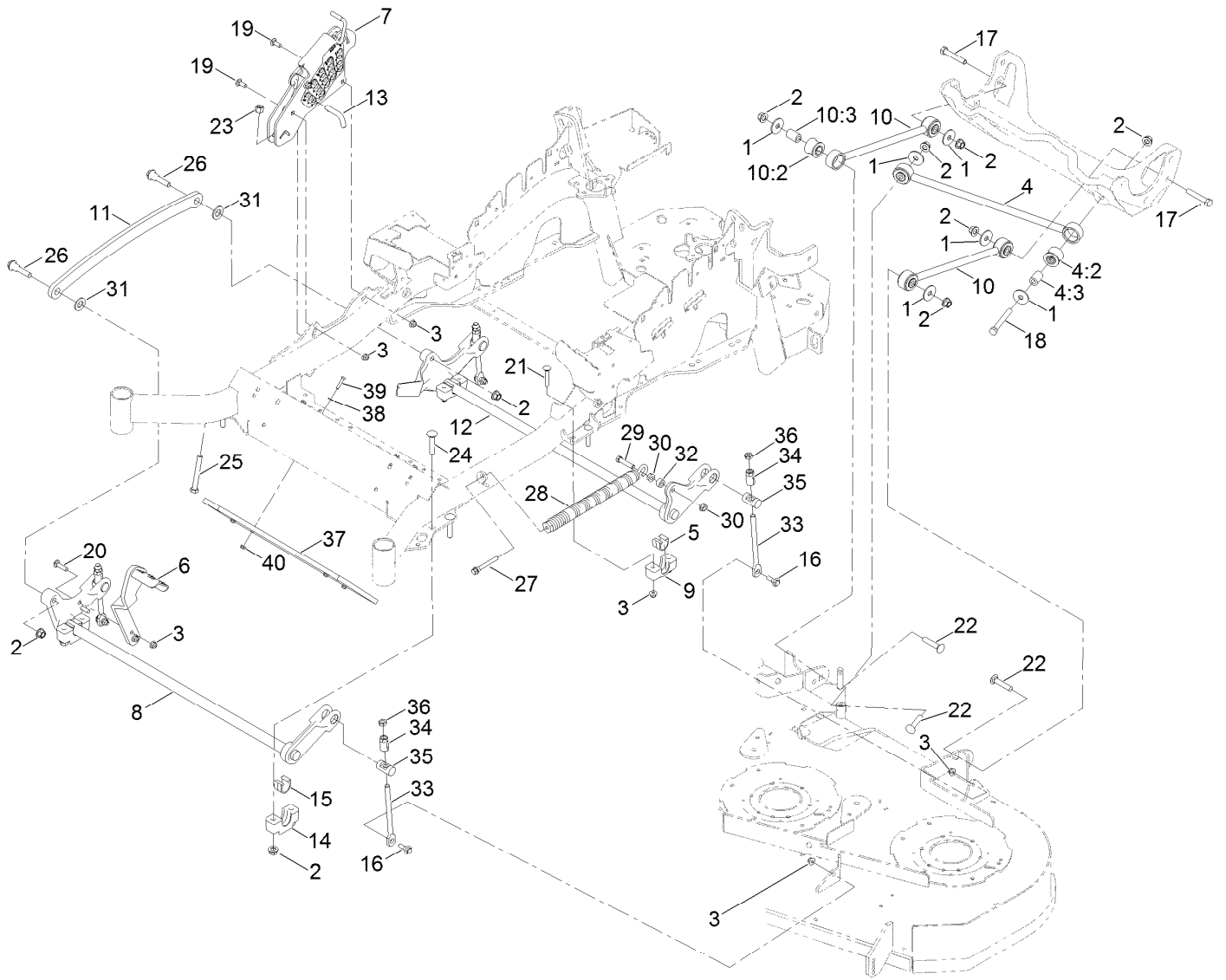
<i>Ref.</i>	<i>Part Number</i>	<i>Qty.</i>	<i>Description</i>	<i>Ref.</i>	<i>Part Number</i>	<i>Qty.</i>	<i>Description</i>
1	114-1539	1	LH Wide Console Top ASM	3:2	114-5896	2	Magnet
1:2	117-0883	2	Puck	4	109-9085	1	Fender-Wide, LH
2	115-3641	1	Console-Lower, LH Wide	5	32144-89	6	Screw-Thread Forming
3	114-1537	1	Wide Lid ASM	6	117-0347	6	Screw-PPH

Electrical Assembly (continued)

<i>Ref.</i>	<i>Part Number</i>	<i>Qty.</i>	<i>Description</i>	<i>Ref.</i>	<i>Part Number</i>	<i>Qty.</i>	<i>Description</i>
1	142-7345	1	Battery-Agm	11	126-2713	2	Screw-HHF
2	116-6009	1	Harness-Wire, Main ●	12	105-1853	2	Clamp-Hose
2:1	103-3895	1	Diode	13	1-303287	3	Tie-Cable
2:2	218-578	1	Fuse-Blade, 10 Amp	14	82-2190	1	Switch-Bail
2:3	109355	1	Fuse-Blade, 15 Amp	15	137-4100	1	Switch-Ignition
2:4	109102	2	Fuse-Blade, 25 Amp	16	135-3653	1	Switch, PTO 10A
2:5	116-0053	1	Cap-Plug	17	104-2065	1	Screw-HWH
3	117-3882	1	Fuel/Hour Meter ASM	18	115-3864	1	Cable-Battery, Positive
4	1-603511	1	Keys-Ignition (Spare Pair)	19	3256-24	1	Washer-Plain
4	63-8360	1	Key-Ignition	20	3290-378	1	Tie-Cable
5	110-6765	2	Switch	21	109-2407	1	Insulator-Battery
6	142-6707-03	1	Bracket-Holddown, Battery	22	1-543393	1	Insulator-Solenoid
7	142-6406	1	Bolt-Holddown	23	1-643267	1	Indicator-LED, Red
8	1-543792	1	Wingnut	24	142-6440	1	Harness-Indicator Light
9	1-643275	1	Relay	99	142-7682	1	Hardware Kit, Battery
10	112-7063	1	Cable-Battery, Black				

● Use dielectric grease on all unsealed connectors and terminals only. Do not apply in sealed connectors.

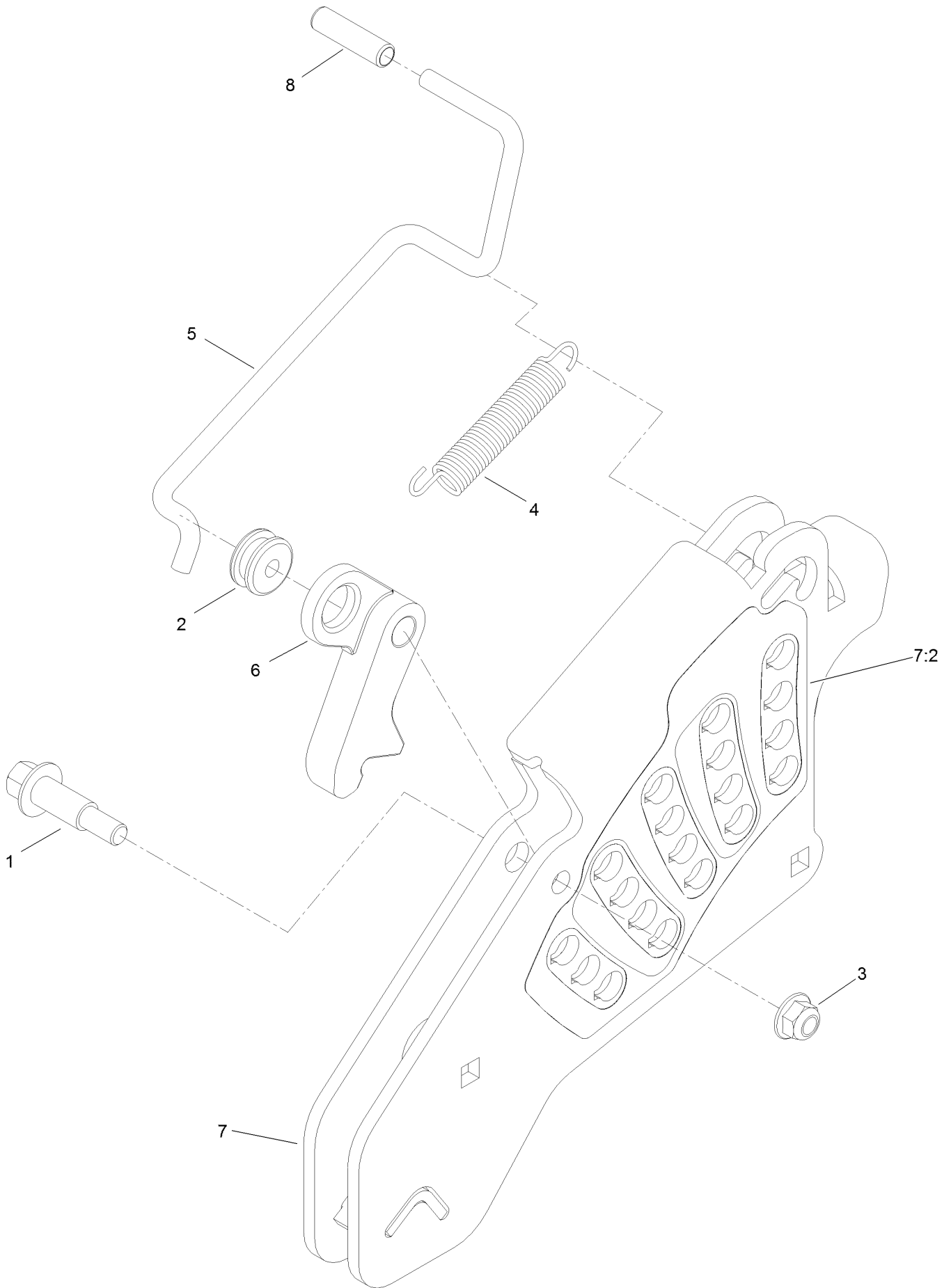
Deck Lift Assembly



Deck Lift Assembly (continued)

<i>Ref.</i>	<i>Part Number</i>	<i>Qty.</i>	<i>Description</i>	<i>Ref.</i>	<i>Part Number</i>	<i>Qty.</i>	<i>Description</i>
1	86-1990	6	Washer-Thrust	17	325-12	2	Screw-HH
2	99-5107	12	Nut-Lock	18	325-17	1	Screw-HH
3	104-8301	12	Nut-HF, NI	19	3231-2	2	Bolt-CARR
4	109-5013	1	Panhard Rod ASM	20	3231-4	2	Screw-CARR
4:2	109-5009	2	Bushing-Suspension, Rubber	21	3231-7	4	Screw-CARR
4:3	109-5010	2	Spacer	22	3233-34	3	Screw-CARR
5	109-7173	2	Bearing-Cross Shaft, Rear	23	3296-23	1	Nut-Lock, NI
6	116-1919-01	1	Lever-Foot	24	116-1700	4	Bolt-CARR
7	109-7438	1	HOC ASM	25	116-0559	1	Bolt-TAP
8	126-2477-03	1	Decklift-Front	26	116-2022	2	Screw-HHF, Shoulder
9	127-0553	2	Support-Bearing, Cross Shaft (Rear)	27	92-7674	1	Bolt-Shoulder
10	109-7952	2	Deck Strut ASM	28	116-0000	1	Spring-Extension
10:2	109-5009	2	Bushing-Suspension, Rubber	29	109-9065	1	Screw-HH
10:3	109-5010	2	Spacer	30	32128-37	2	Nut-HF
11	116-0797-03	1	Link-Lift, Deck	31	3256-28	2	Washer-Flat
12	116-2645-03	1	Lift-Deck, Rear	32	116-2695	1	Spacer
13	116-5584	1	Pin-HOC	33	109-8007	4	Link-Adjuster, Deck Lift
14	109-9409	2	Support-Bearing, Cross Shaft (Front)	34	109-7840	4	Adjuster-Lift, Deck
15	109-9410	2	Bearing-Cross Shaft, Front	35	109-8353	4	Trunnion
16	109-9840	4	Screw-Shoulder, HHF	36	3218-5	4	Nut-Jam
				37	140-4963-01	2	Weight-Toe Board
				38	3256-22	4	Washer-Flat
				39	321-10	4	Screw-HH
				40	104-7201	4	Nut-HF, NI

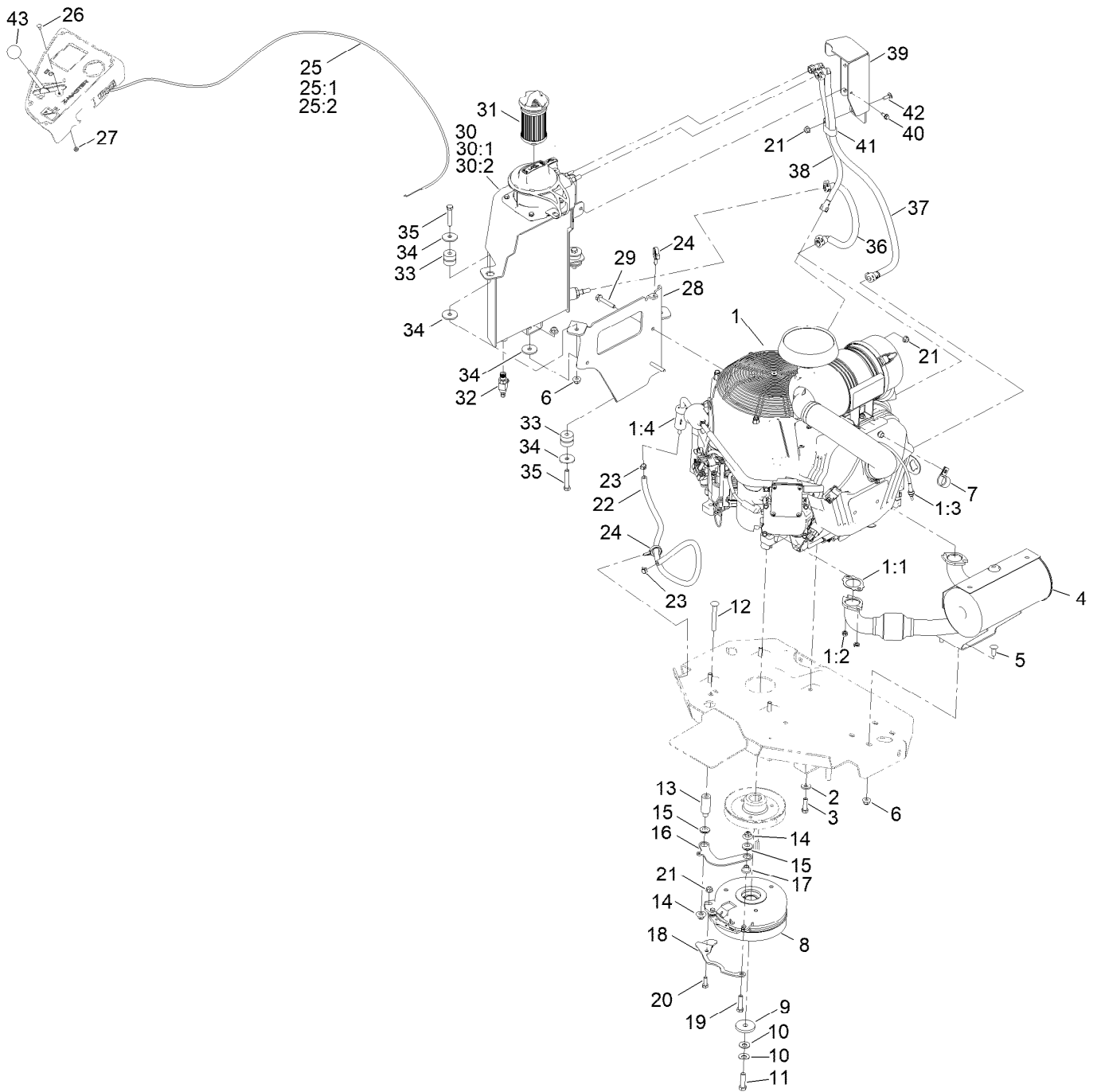
Height-of-Cut Assembly No. 109-7438



Height-of-Cut Assembly No. 109-7438 (continued)

<i>Ref.</i>	<i>Part Number</i>	<i>Qty.</i>	<i>Description</i>	<i>Ref.</i>	<i>Part Number</i>	<i>Qty.</i>	<i>Description</i>
1	62-1330	1	Bolt-Shoulder	6	116-0118	1	Pawl-Transport, HOC
2	109-7130	1	Grommet	7	109-7335	1	HOC Plate ASM
3	104-8301	1	Nut-HF, NI	7:2	126-4398	1	Decal-HOC
4	109-7124	1	Spring-Extension	8	109-8250	1	Grip-Lever
5	109-7128	1	Rod-Lock, Transport				

Engine, Clutch and Muffler Assembly



Engine, Clutch and Muffler Assembly (continued)

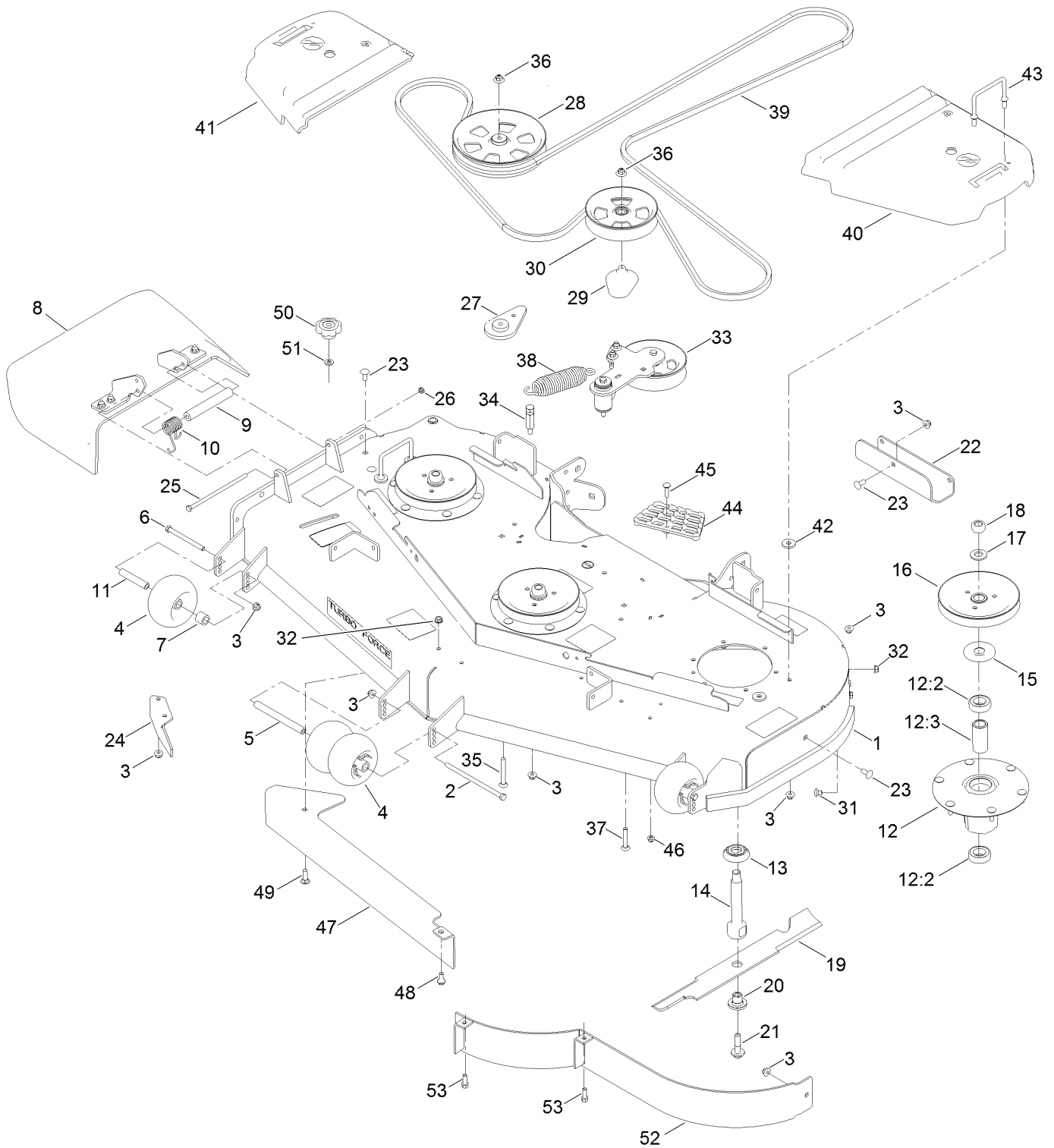
<i>Ref.</i>	<i>Part Number</i>	<i>Qty.</i>	<i>Description</i>	<i>Ref.</i>	<i>Part Number</i>	<i>Qty.</i>	<i>Description</i>
1		1	Engine-Vanguard ■▲	24	105-1853	2	Clamp-Hose
1:1	142-6842	2	Gasket-Exhaust	25	110-5727	1	Throttle Control ASM
1:2	33014-00	4	Nut-Hex	25:1	112-2334	1	Lever-Throttle
1:3	142-6844	1	Sensor-O2	25:2	110-5728	1	Cable-Throttle
1:4	142-7451	1	Filter-Fuel	26	1-807513	2	Bolt-CARR
2	98-5975	4	Washer-Belleville	27	3296-2	2	Nut-Lock, NI
3	323-7	4	Screw-HH	28	142-6608-03	1	Mount-Tank, Oil
4	142-5876	1	Muffler	29	142-6275	2	Screw-HHF
5	3231-22	4	Screw-CARR	30	142-6840	1	Reservoir-Oil
6	104-8301	7	Nut-HF, NI	30:1	142-7452	1	Oil Dipstick ASM
7	110-0824	1	R-Clamp	30:2	142-7453	1	Oil Tank Cap ASM
8	126-4185	1	Clutch Kit	31	142-6841	1	Filter-Oil
9	109-6919	1	Washer-Plain	32	103-6602	1	Valve-Oil Drain
10	1-603610	2	Washer-Spring	33	142-6009	3	Isolator-Tank
11	109-9761	1	Screw-HH	34	1-213069	6	Washer
12	3231-42	1	Screw-CARR	35	323-10	3	Screw-HH
13	116-3319	1	Spacer	36	142-7420	1	Hose-Supply
14	109-6658	2	Nut-Flange, NI	37	142-7421	1	Hose-Scavenge
15	93-5108	2	Grommet-Rubber	38	142-6393	1	Hose-Vent
16	116-3317-01	1	Link-Anchor, Clutch	39	142-6731-03	1	Guard-Hose
17	116-3318	1	Spacer	40	32144-10	3	Screw-HWH
18	116-3331-01	1	Belt-Guide	41	120-1959	1	Clamp
19	323-8	1	Screw-HH	42	3230-23	1	Bolt-CARR
20	322-4	1	Screw-HH	43	1-603175	1	Knob-Ball
21	104-8300	4	Nut-HF, NI	99	142-8433	1	Filter, Outer Air ●
22	109-0275	1	Hose-Fuel	99	142-8434	1	Filter, Inner Air ●
23	2412-98	2	Clamp-Hose	99	142-8435	1	Plug, Spark ●

● Not illustrated

▲ Obtain parts from www.briggsandstratton.com

■ Not serviced separately

Deck Assembly

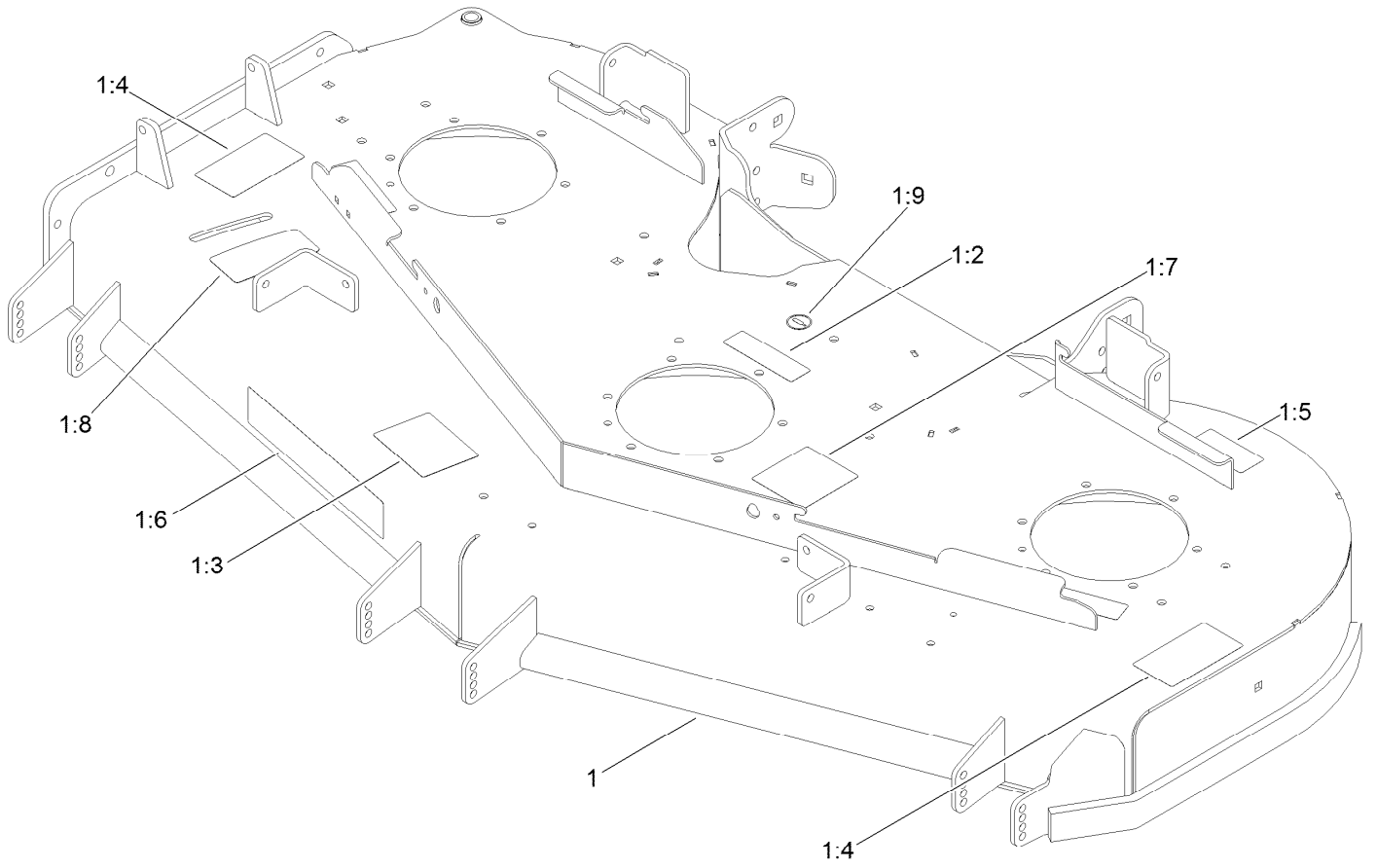


Deck Assembly (continued)

<i>Ref.</i>	<i>Part Number</i>	<i>Qty.</i>	<i>Description</i>	<i>Ref.</i>	<i>Part Number</i>	<i>Qty.</i>	<i>Description</i>
1	140-1169	1	Deck Decal ASM	27	109-9416	1	Spacer-Idler
2	108-5388	1	Screw-HH	28	132-4734	1	Pulley-Idler,Flat
3	104-8301	32	Nut-HF, NI	29	109-2872	1	Spacer-Pulley
4	1-603299	4	Roller-Scalp, Anti	30	136-5404	1	Pulley-Idler, Flat
5	98-5967	1	Spacer-Wheel	31	108-5387	3	Screw-CARR
6	323-23	2	Screw-HH	32	3290-357	6	Nut-HSF
7	98-7913	2	Tube-Spacer	33		1	Idler Arm ASM ●
8	108-2792	1	Rubber Deflector ASM	34	114-5867	1	Anchor-Spring, Tall
9	105-4622	1	Spacer	35	3231-42	1	Screw-CARR
10	108-4052	1	Spring-Torsion	36	109-6658	2	Nut-Flange, NI
11	98-7912	2	Tube-Spanner	37	3231-40	1	Bolt-CARR
12	137-9780	3	Spindle ASM	38	116-6317	1	Spring-Extension
12:2	116-0720	2	Bearing-Ball	39	132-5982	1	Belt-V
12:3	138-6042	1	Spacer-Bearing	40	109-6938	1	Cover-Belt, LH
13	137-9784	3	Guard-Bottom	41	116-0094	1	Cover-Belt, RH
14	138-6045	3	Shaft-Spindle	42	1-373034	4	Washer
15	103-1330	3	Guard-Bearing, Top	43	109-6982	2	Wireform-Cover
16	138-6059	3	Sheave-Drive, Blade	44	126-4781-03	1	Step-Deck
17	103-2802	3	Washer	45	3230-3	1	Screw-CARR
18	116-7306	3	Nut-Hex	46	104-8300	1	Nut-HF, NI
19	140-1240	3	Blade	47	138-6051-01	1	Plate-Baffle
20	137-9787	3	Bushing-Hex	48	94-7582	1	Bolt-Shoulder
21	109-9220	3	Screw-Sems	49	3231-25	1	Bolt-CARR
22	121-8031-01	1	Plate-Skid	50	109-1092	1	Knob
23	3231-27	6	Screw-CARR	51	100-4852	1	Washer-Hardened
24	106-3216-01	1	Baffle-Discharge	52	114-5842-01	1	Baffle
25	322-50	1	Screw-HH	53	92-1624	2	Screw-HWH Thd Form
26	3296-47	1	Nut-Lock,NI				

● Not serviced separately

Deck Decal Assembly No. 140-1169

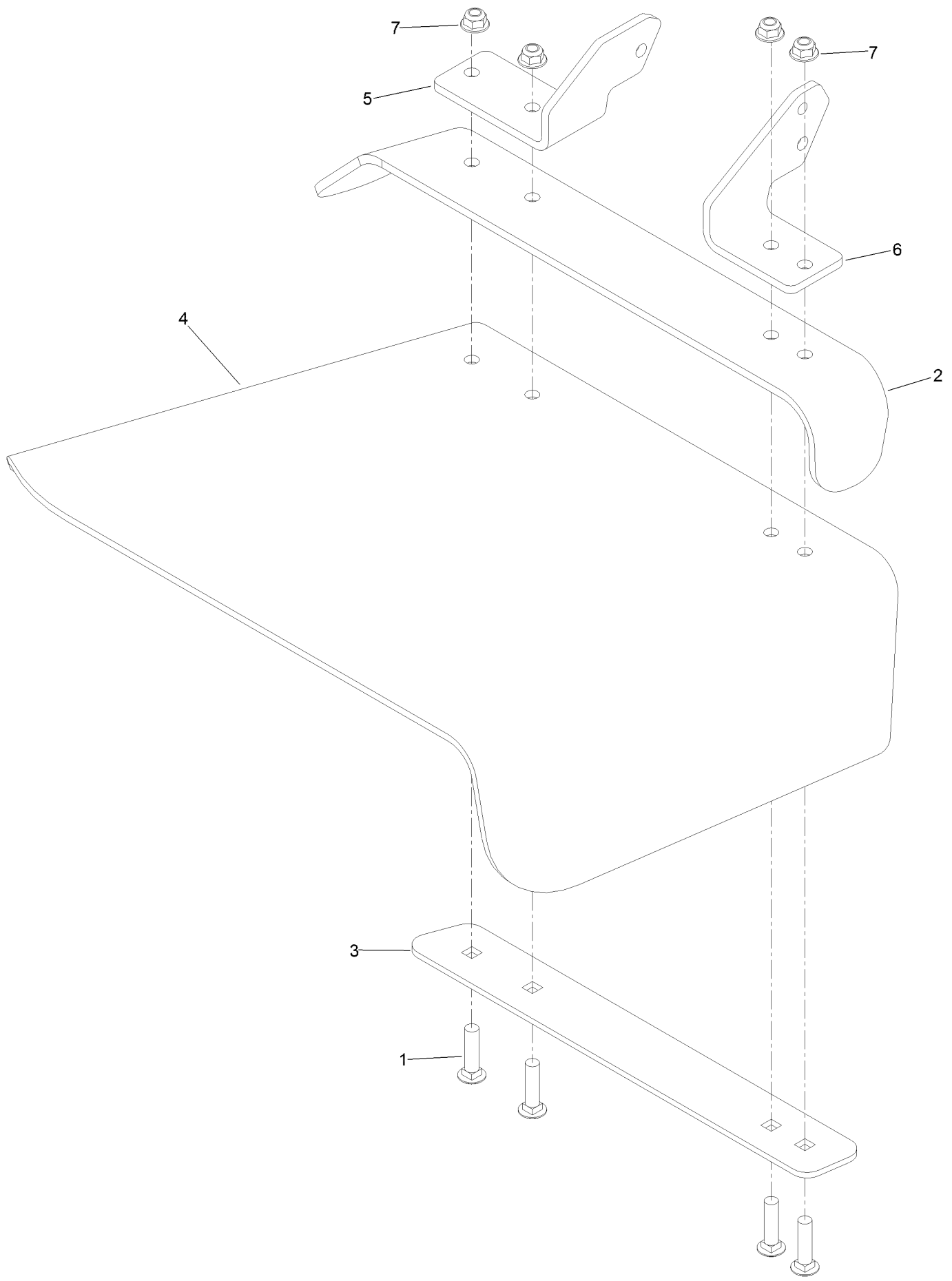


Deck Decal Assembly No. 140-1169 (continued)

<i>Ref.</i>	<i>Part Number</i>	<i>Qty.</i>	<i>Description</i>	<i>Ref.</i>	<i>Part Number</i>	<i>Qty.</i>	<i>Description</i>
1		1	Deck ASM ●	1:6	107-1619	1	Decal
1:2	112-9028	3	Decal-Cover, Missing	1:7	136-5508	1	Decal-Routing, Deck Belt
1:3	127-0326	1	Decal-Scalp, Anti	1:8	131-1180	1	Decal-Adjustment, Baffle
1:4	117-3848	2	Decal-Danger	1:9	58-6520	1	Decal-Grease
1:5	116-8283	1	Decal-Torque, Bolt				

● Not serviced separately

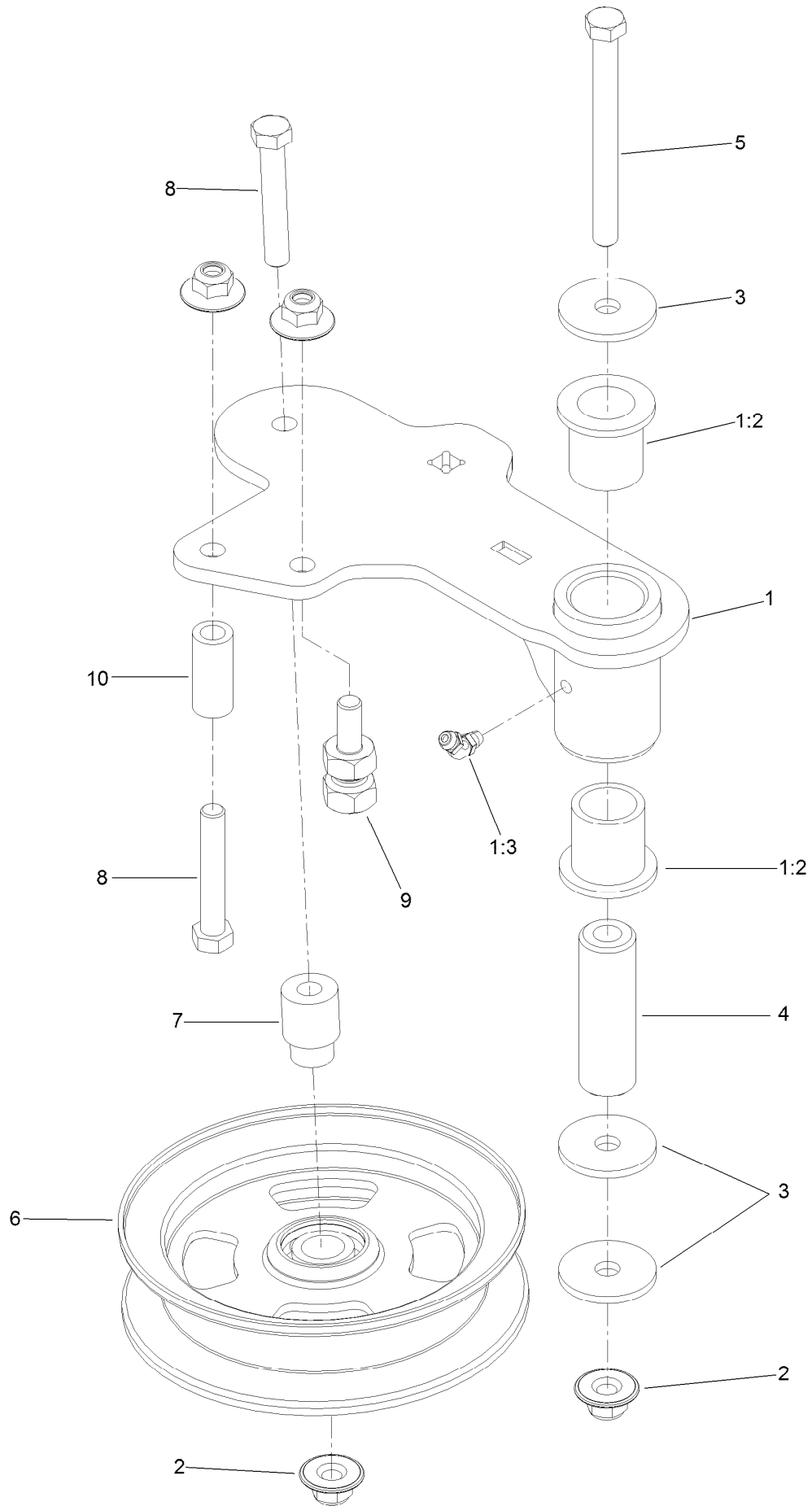
Rubber Deflector Assembly No. 108-2792



Rubber Deflector Assembly No. 108-2792 (continued)

<i>Ref.</i>	<i>Part Number</i>	<i>Qty.</i>	<i>Description</i>	<i>Ref.</i>	<i>Part Number</i>	<i>Qty.</i>	<i>Description</i>
1	3231-4	4	Screw-CARR	5	108-4059-01	1	Plate-Hinge, Rear
2	106-3246-01	1	Deflector	6	106-3253-01	1	Plate-Hinge, Front
3	106-3248-03	1	Strap-Discharge	7	104-8301	4	Nut-HF, NI
4	108-5029	1	Deflector-Rubber				

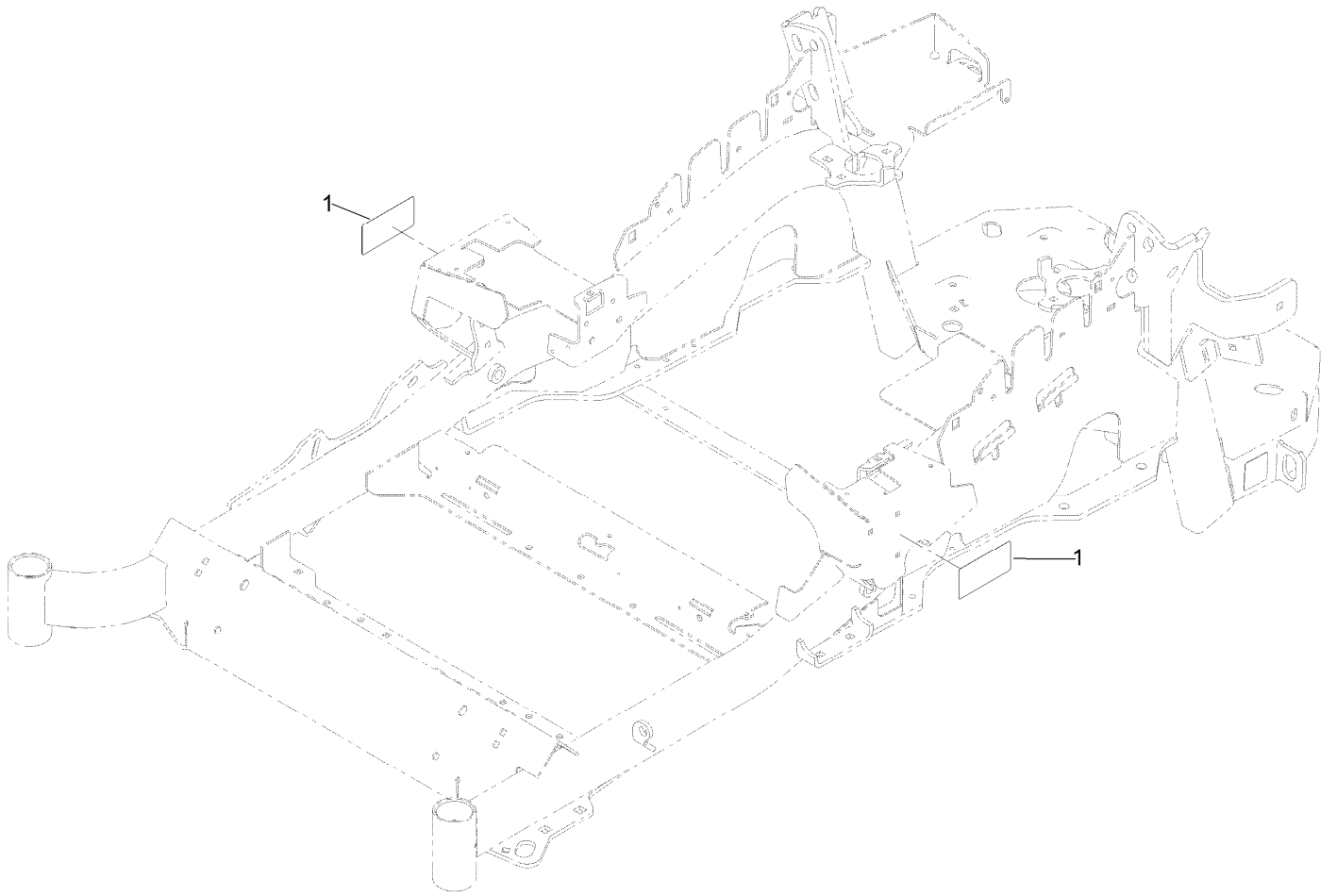
Idler Arm Assembly



Idler Arm Assembly (continued)

<i>Ref.</i>	<i>Part Number</i>	<i>Qty.</i>	<i>Description</i>	<i>Ref.</i>	<i>Part Number</i>	<i>Qty.</i>	<i>Description</i>
1	114-5870	1	Idler Arm ASM	5	98-5961	1	Screw-HH
1:2	1-303514	2	Bearing-Flanged	6	132-9425	1	Pulley-Idler, Flat
1:3	1481	1	Fitting-Grease	7	112-4212	1	Mount-Pulley
2	109-6658	4	Nut-Flange, NI	8	323-11	2	Screw-HH
3	1-213069	3	Washer	9	132-4729	1	Anchor-Spring, Short
4	114-5848	1	Spacer-Plain	10	104-0151	1	Spacer

Frame Decal Assembly



Frame Decal Assembly (continued)

<i>Ref.</i>	<i>Part Number</i>	<i>Qty.</i>	<i>Description</i>
1	120-5895	2	Decal

Attachments and Accessories

For 72980 Z Master Professional 6000 Series Riding Mower with 60in TURBO FORCE Side Discharge Mower

Product Name	Model/Part
Turbo Baffle Kit	107-1634
Anti-Scalp Kit (Trim Side).....	108-4140
Hitch Kit	109-9487
Hypr-Oil 500 (quart).....	114-4713
Hypr-Oil 500 (gallon).....	114-4714
Hypr-Oil 500-5 (5 gallon).....	114-4715
Bimini Folding Shade Assembly	115-4510
Roller Striper Kit.....	115-7470
Light Kit.....	116-1154
Seat Cover (W/arm rest).....	117-0095
Operator Controlled Discharge Chute Kit.....	117-3600
Seat Tilt Frame and ISO Mount Kit.....	121-7596
Toro Rops Lock Kit.....	126-4064
Jack Mount Kit	127-6665
Jack Kit.....	127-6666
Power Deck Lift Kit	132-5986
Worklight Kit	135-7320
Bucket Mount Kit.....	137-9216
Trimmer Mount	137-9769
Recycler Kit	139-6655
24x12n12 - Tweel Turf	139-7891
Blade-20.5 High Flow	140-1240
Blade-20.50 Atomic	140-1241
Blade-20.50 Medium Flow	140-4853
Blade-20.50, Low Flow	140-4854
Blade-20.50 Recycler	140-4855
6 Pack-Blade, 20.5 High Flow.....	140-4877
6 Pack-Blade, 20.5 Med Flow	140-4878
6 Pack-Blade, 20.5 Low Flow	140-4879
6 Pack-Blade, 20.5 Atomic.....	140-4880
6 Pack-Blade, 20.5 Recycler.....	140-4881
Weight Kit, Under Toe Board.....	140-4958
Briggs and Stratton Engine Maintenance Kit.....	145-8479
Blade-20.50 High Flow	147-6252
6 Pack-Blade, 20.50 High Flow.....	147-6256
Toro Rider Over Seat Bag.....	490-7317
Toro Deluxe Rider Cover.....	490-7319
Toro Rider Arm Rest Bag	490-7320
Spark Arrestor Screen	75-6880
Blower and Drive Kit	78553
E-Z Vac Triple Bagging System	78563
E-Z Vac DFS Collection System	78567
Filter Minder Gauge	99-4664
Trash Holder Kit.....	TC26

Notes:

Notes:

Notes:



Count on it.