



Wheel Horse[®]
270-H Yard & Garden Tractor
270-HE Yard & Garden Tractor
Model No. 72108-230000001 and Up
Model No. 72116-230000001 and Up

Parts Catalog

Ordering Replacement Parts

To order replacement parts, please supply: the part number, the quantity, and the description of each part desired.

Understanding Reference Numbers

Each identified part in an illustration has a reference number. The reference number for a part also appears in the parts list, along with other information about the part.

This catalog uses two special reference number formats, one to indicate parts in a service assembly and another to indicate the quantity of a given part in an illustration.

Service Assembly Reference Numbers

Parts in service assemblies have reference numbers in the form **a:b**. The **a** represents the reference number of the entire service assembly and the **b** represents a sequential number unique to each part within the service assembly.

For example, a wheel assembly might be identified by reference number **6**, the tire by **6:1**, the valve by **6:2**, and the wheel by **6:3**. When you order the assembly identified by reference number **6**, you receive all parts identified by reference numbers **6:1**, **6:2**, and **6:3**. However, you may also order any part individually.

Reference numbers of this type appear in illustrations and in part lists.

Reference Numbers Indicating Quantity

In an illustration, if a reference number indicates more than one part, the reference number has the form **nX y**. The **n** represents the quantity of the part, the **X** is the multiplication symbol, and the **y** represents the reference number.

For example, in an illustration, the reference number **2X 37** means that two of the parts identified by reference number **37** are indicated.

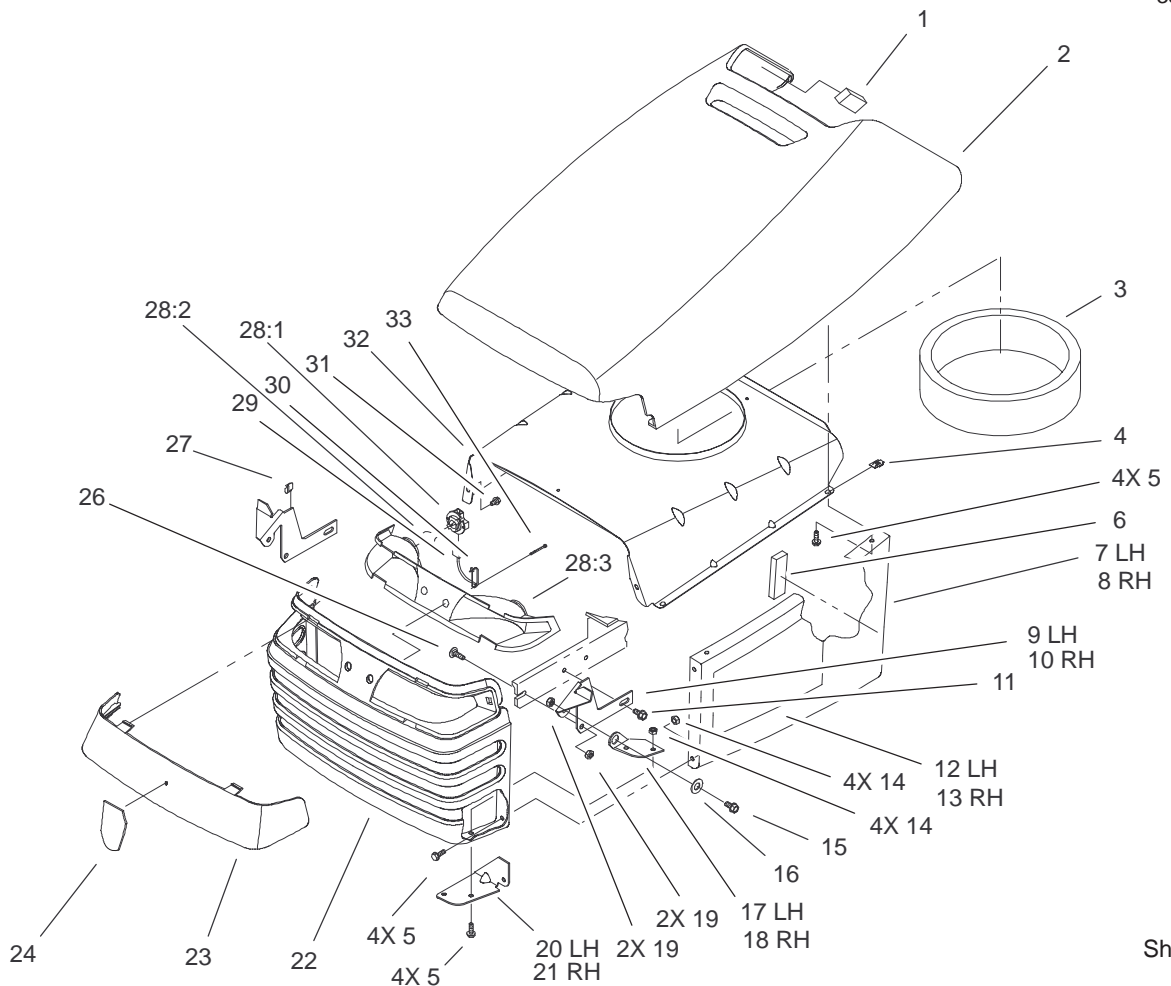
Contents

Description	Page	Description	Page
Hood and Grill Assembly	3	Group 2-Crankcase Assembly	
Hydro Drive Assembly	4	Kohler Model No. CV20S-65531 and	
Front Axle Assembly	5	CV20S-65532	31
Twin Cylinder Engine,		Group 3-Oil Pan/Lubrication Assembly	
Muffler and PTO Assembly	6	Kohler Model No. CV20S-65531 and	
Battery Assembly	7	CV20S-65532	32
Fuel Tank Assembly	8	Group 4-Head/Valve/Breather Assembly	
Lower Steering Assembly	9	Kohler Model No. CV20S-65531 and	
Steering Wheel and Tilt Assembly	10	CV20S-65532	33
Hoodstand and Firewall Assembly	11	Group 5-Ignition/Electrical Assembly	
Lift Lever and HOC Assembly	12	Kohler Model No. CV20S-65531 and	
Hydro Brake Assembly	13	CV20S-65532	34
Hydro Controls Assembly	14	Group 6-Blower Housing Assembly	
Frame Assembly	15	Kohler Model No. CV20S-65531 and	
Hydro Transaxle Assembly	16	CV20S-65532	35
Fender and Footrests Assembly	17	Group 7-Starter Assembly	
Seat Assembly	18	Kohler Model No. CV20S-65531 and	
Rear Wheel Assembly	19	CV20S-65532	36
Cruise Control Assembly	20	Group 8-Fuel System Assembly	
Power Lift Assembly	21	Kohler Model No. CV20S-65531 and	
Dash Assembly	22	CV20S-65532	37
Housing and Fan Assembly	23	Group 8-Fuel System Assembly (continued)	
Differential Gear Assembly	24	Kohler Model No. CV20S-65531 and	
Brake Assembly	25	CV20S-65532	38
Cylinder Block Assembly	26	Group 9-Engine Control Assembly	
Engine Wire Harness Routing Assembly	27	Kohler Model No. CV20S-65531 and	
Twin Cyl. Hydro w/Cruise &		CV20S-65532	39
Power Lift Wire Routing	28	Group 10-Air Intake/Filtration Assembly	
270-H Wiring Schematic	29	Kohler Model No. CV20S-65531 and	
Group 1-Crankshaft Assembly		CV20S-65532	40
Kohler Model No. CV20S-65531 and		Group 11-Exhaust Assembly	
CV20S-65532	30	Kohler Model No. CV20S-65531 and	
		CV20S-65532	41

Part Description Abbreviations

Part descriptions in this catalog may include the following abbreviations.

Abbreviation	Meaning	Abbreviation	Meaning
AR	as required	HYD	hydraulic
ASM	assembly	INC	incorporated
CARR	carriage	LH	left hand
DEG	degrees	NI	nylon insert
FH	flat head	PPH	Phillips pan head
GA	gauge	PTH	Phillips truss head
HF	hex flange	PTO	power take off
HH	hex head	RH	right hand
HHF	hex head flange	SFH	slotted fillister head
HLH	hex lag head	SHH	slotted hex head
HJ	hex jam	SQH	square head
HOC	height-of-cut	SHWH	slotted hex washer head
HS	hex socket	SPH	slotted pan head
HSBH	hex socket button head	SRH	slotted round head
HSFH	hex socket flat head	STD	standard
HSH	hex socket head	TAP	self tapping
HWH	hex washer head	TTH	Torx truss head
HWHTF	hex washer head thread forming	WH	wing head



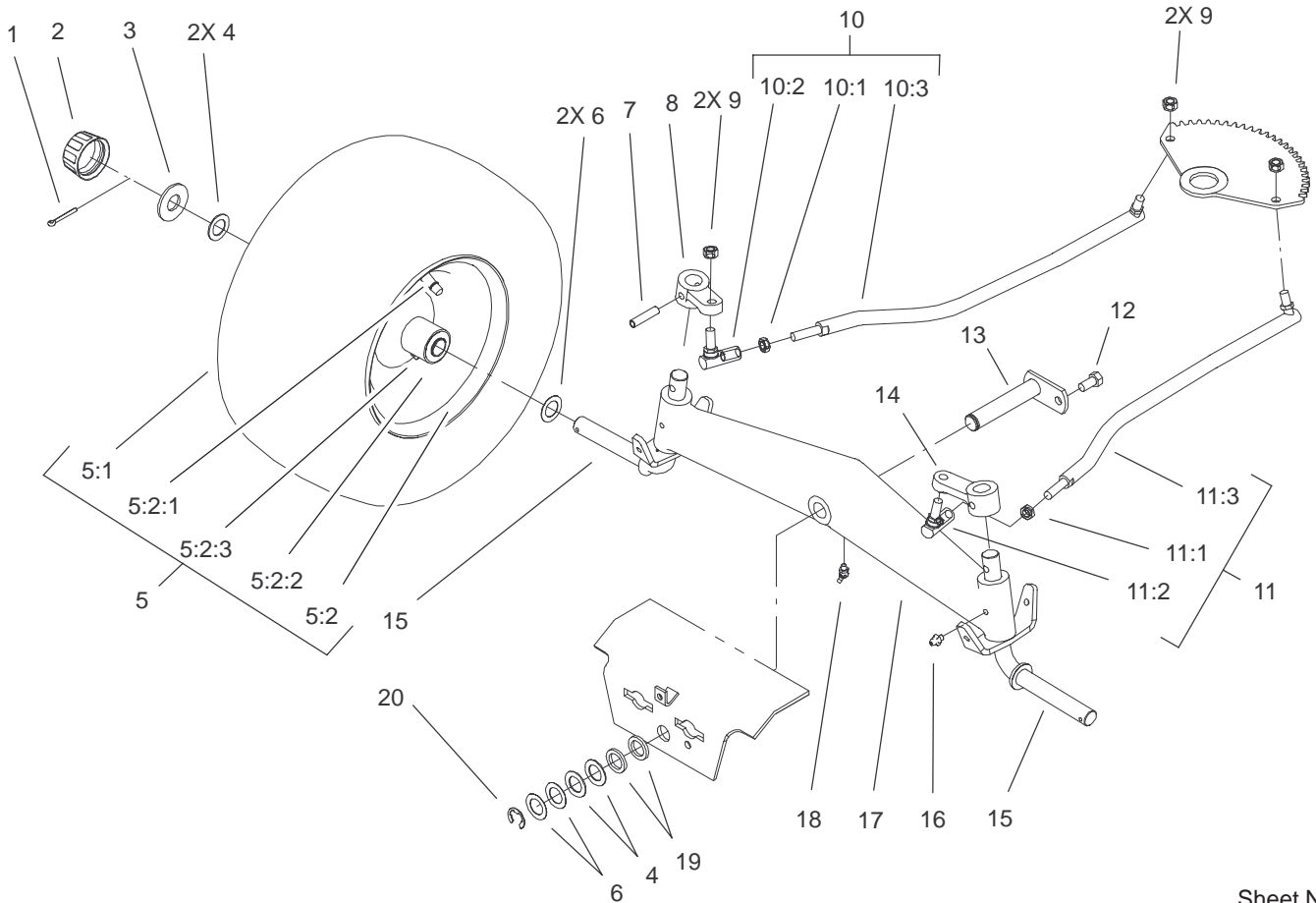
Sheet No.:2

Hood and Grill Assembly

Ref. No.	Part No.	Qty.	Description
1	94-1980	2	Foam-Hood
2	92-6658	1	Hood - Top
3	92-7076	1	Seal-Air Inlet, Twin
4	92-7006	4	Nut
5	32105-15	12	Screw
6	92-7148	2	Foam - Sidepanel
7	92-6652	1	Side-LH Hood
8	92-6650	1	Side-RH Hood
9	92-6918-03	1	Bracket-Hinge, LH
10	92-6917-03	1	Bracket-Hinge, RH
11	32144-14	2	Screw-HWH
12	106-5842	1	Decal-Hood LH
13	106-5843	1	Decal-Hood RH
14	32128-10	8	Locknut-Flange
15	322-3	2	Screw-HH
16	105503	2	Bushing
17	92-6997-03	1	Hinge-Hood, LH
18	92-6996-03	1	Hinge-Hood, RH
19	3296-29	4	Nut-Lock, NI
20	92-7049-03	1	Bracket-Hood Hinge, RH
21	92-7048-03	1	Bracket-Hood Hinge, LH
22	100-1344	1	Grill
23	92-6656	1	Lens - Headlight
24	92-6987	1	Emblem-Horsehead

Ref. No.	Part No.	Qty.	Description
26	3230-1	2	Bolt-CARR
27	519337	1	Clip-Cable
*28	88-3970	1	Reflector And Lamp ASM
28:1	111686	2	Socket-Light
28:2	7228	2	Bulb
28:3	93-8741	1	Reflector
29	88-4320	1	Harness-Wire, Lights
30	614249	1	Strap-Tie
31	46-8093	2	Screw-Plastite
32	92-6914-03	1	Baffle-Hood, Upper
33	32144-32	2	Screw

* Not illustrated



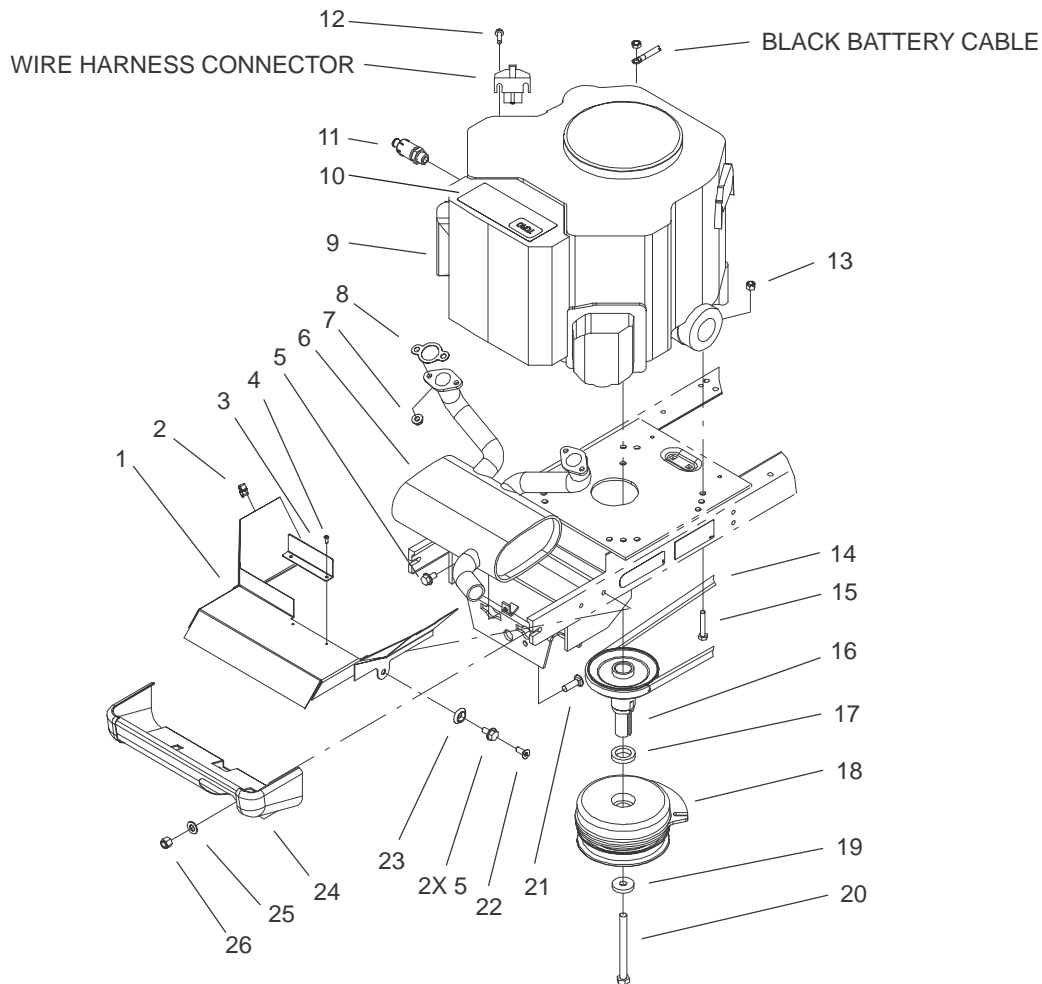
Sheet No.:4

Front Axle Assembly

Ref. No.	Part No.	Qty.	Description
1	3272-17	2	Pin-Cotter
2	61-9780	2	Cap-Hub
3	28-2480	2	Washer
4	1278	4	Washer
5		2	Front Wheel & Tire ASM
5:1	99-2336	1	Tire
5:2	93-9801	1	Wheel ASM
5:2:1	5108	1	Valve
5:2:2	110513	2	Bearing-Wheel
5:2:3	109500	1	Zerk-Grease
*	105293	1	Tube-Inner
6	5210	4	Washer-Shim
7	933270	2	Pin
8	78-1950-01	1	Arm-Front Spindle
9	9150026	4	Nut
10	92-6883	1	Linkage-Steering, RH
10:1	9150854	1	Nut-Jam
10:2	78-2920	1	Ball-Joint
10:3	78-5801	1	Ball Link ASM
11	92-6884	1	Linkage-Steering, LH
11:1	9150854	1	Nut-Jam
11:2	78-2920	1	Ball-Joint
11:3	78-5811	1	Ball Link ASM
12	9267154	1	Screw
13	92-7057-03	1	Pin-Axle

Ref. No.	Part No.	Qty.	Description
14	78-1940-01	1	Arm-Front Spindle
15	78-2601-01	2	Spindle
16	302-5	2	Fitting-Grease
17	78-7960-01	1	Axle-Front
18	302-11	1	Fitting-Lube, 45°
19	9202324	2	Washer
20	5618	1	E-Ring

* Not illustrated



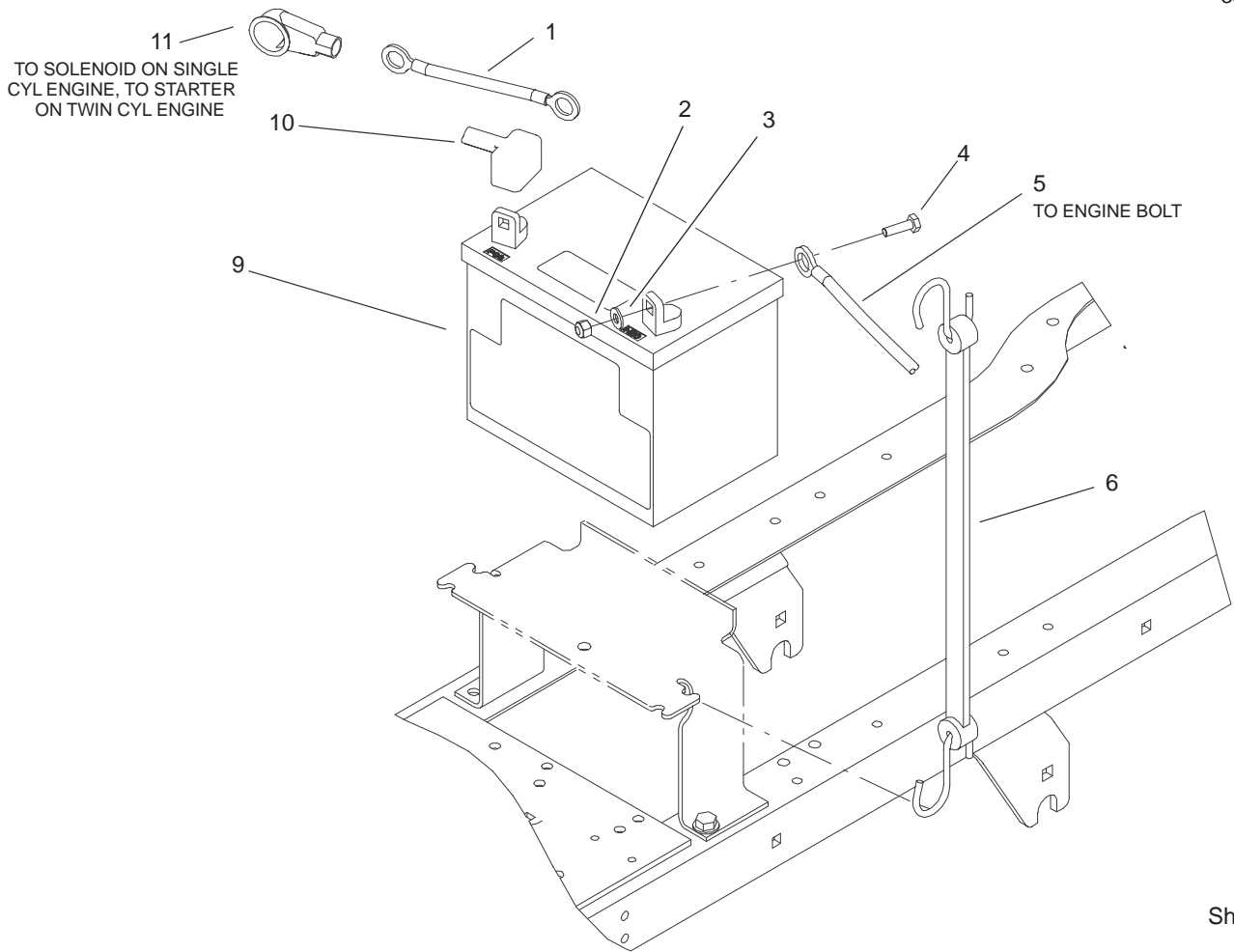
Sheet No.:5

Twin Cylinder Engine, Muffler and PTO Assembly

Ref. No.	Part No.	Qty.	Description
1	94-6950-03	1	Shield-Muffler Twin
2	702366	1	Clip-Wire Retainer
3	99-6764-03	1	Guard-Throttle (only on: 72116)
4	100-1320	2	Screw-Panhead Torx (only on: 72116)
5	32144-14	3	Screw-HWH (only on: 72108)
5	32144-14	1	Screw-HWH (only on: 72116)
6	100-3543	1	Muffler-Twin
7	92-6780	4	Nut-HF
8	93-0350	2	Gasket-Exhaust
☆9		1	Engine - Kohler 20 Model No. Cv20s-65531 (only on: 72108)
☆9		1	Engine - Kohler 20 Model No. Cv20s-65532 (only on: 72116)
10	94-2870	1	Decal - Toro Power + 20
11	92-6877	1	Valve-Drain, Oil
12	32144-118	2	Screw-PPH
13	3296-29	4	Nut-Lock, NI

Ref. No.	Part No.	Qty.	Description
14	100-3469	1	V-Belt
15	322-9	4	Screw-HH
16	92-6888	1	Pulley-Engine
17	100-1340	1	Spacer-Clutch
18	100-6059	1	Clutch-PTO (only on: 72108)
18	100-6060	1	Clutch-Elec PTO (only on: 72116)
19	112843	1	Washer
20	104-4675	1	Bolt-Clutch
21	3231-25	2	Screw-CARR
22	100-1325	2	Screw-Countersunk Torx (only on: 72116)
23	100-1326	2	Washer-Countersunk (only on: 72116)
24	100-3541-01	1	Muffler Shield ASM
25	3256-24	2	Washer-Flat
26	3296-39	2	Nut-Lock, NI

☆ Not serviced separately

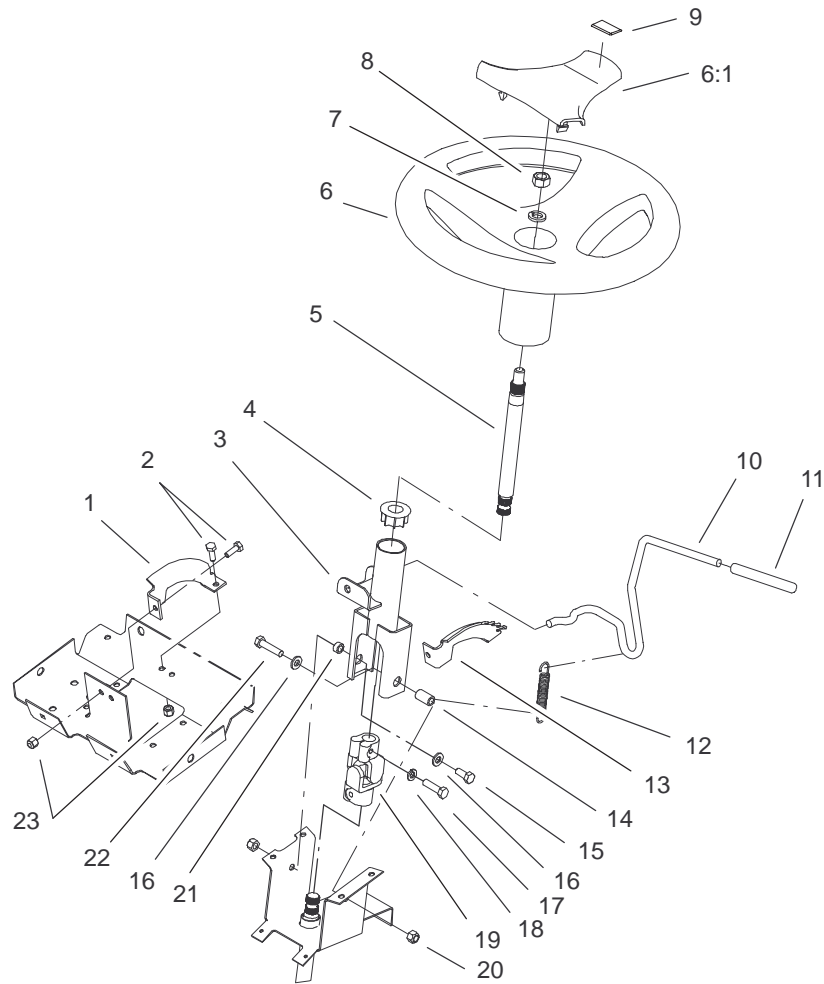


Sheet No.:6

Battery Assembly

Ref. No.	Part No.	Qty.	Description
1	92-6989	1	Wire
2	3296-42	2	Nut-Lock, NI
3	3256-22	2	Washer-Flat
4	321-5	2	Screw-HH
5	104-2460	1	Cable-Battery
6	104-2467	1	Hold-Down, Battery
9	104-2492	1	Battery
10	28-8080	1	Boot-Terminal
11	93-3190	1	Boot-Terminal, Insulator

Ref. No.	Part No.	Qty.	Description

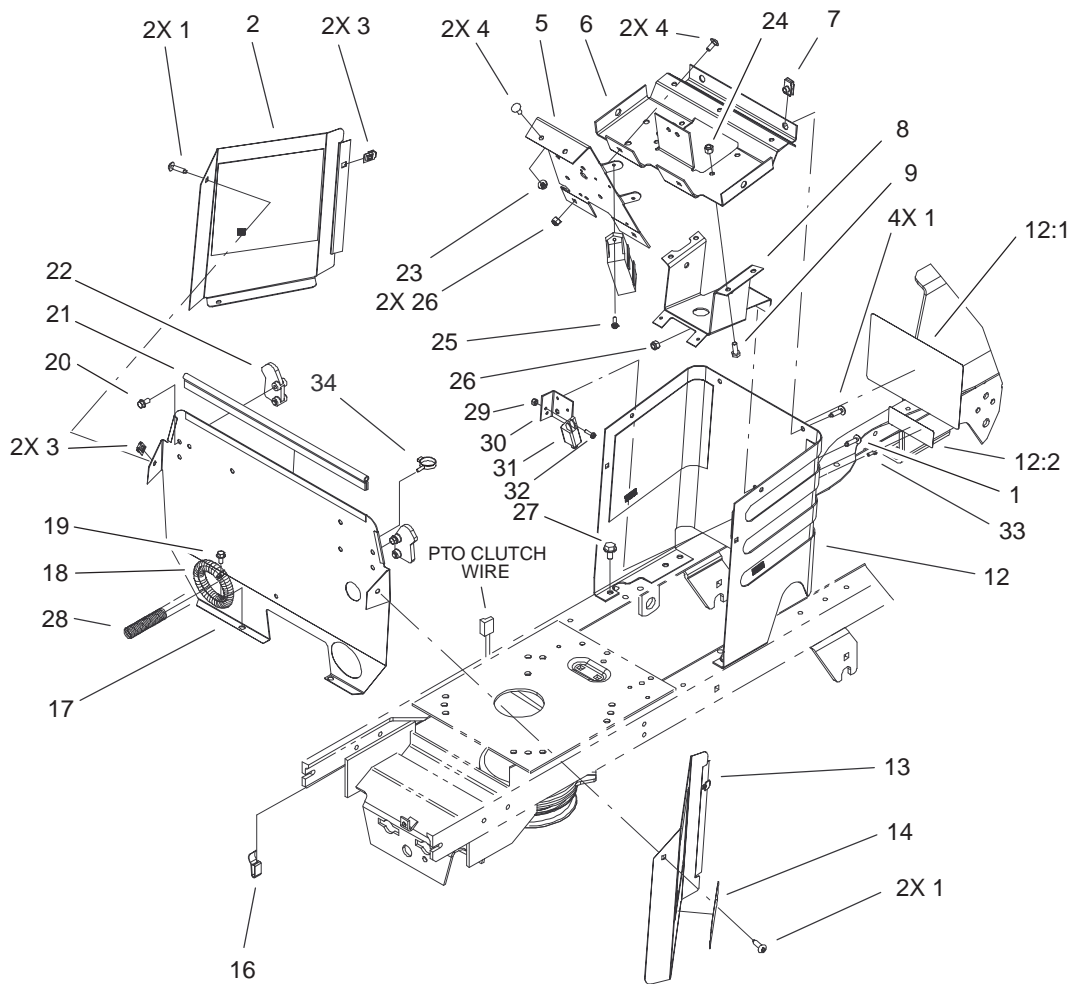


Sheet No.:9

Steering Wheel and Tilt Assembly

Ref. No.	Part No.	Qty.	Description
1	92-6777-03	1	Bracket – Support Column
2	321-4	4	Screw-HH
3	93-1148-03	1	Column
4	93-1146	1	Bushing-Upper, Steering
5	94-2874	1	Shaft-Short, Steering
6	98-1472	1	Wheel – Steering, Toro
6:1	98-1468	1	Cover-Wheel, Steering
7	3253-7	1	Washer-Lock
8	3217-9	1	Nut-HH
9	98-1459	1	Decal-Toro
10	92-6971	1	Lever – Tilt
11	92-6798	1	Cap-Rod, Tilt
12	93-1357	1	Spring – Extension, Steering
13	92-6776	1	Bracket – Detent
14	92-6999	1	Spacer-Yoke
15	322-3	1	Screw-HH
16	3256-23	2	Washer-Flat
17	33114-030	2	Screw-HH
18	3253-4	2	Washer-Lock
19	92-6717	1	U Joint – Steering
20	3296-29	2	Nut-Lock, NI
21	92-6998	1	Spacer – Yoke, Right

Ref. No.	Part No.	Qty.	Description
22	322-17	1	Screw-HH
23	3296-8	4	Nut-Lock, NI

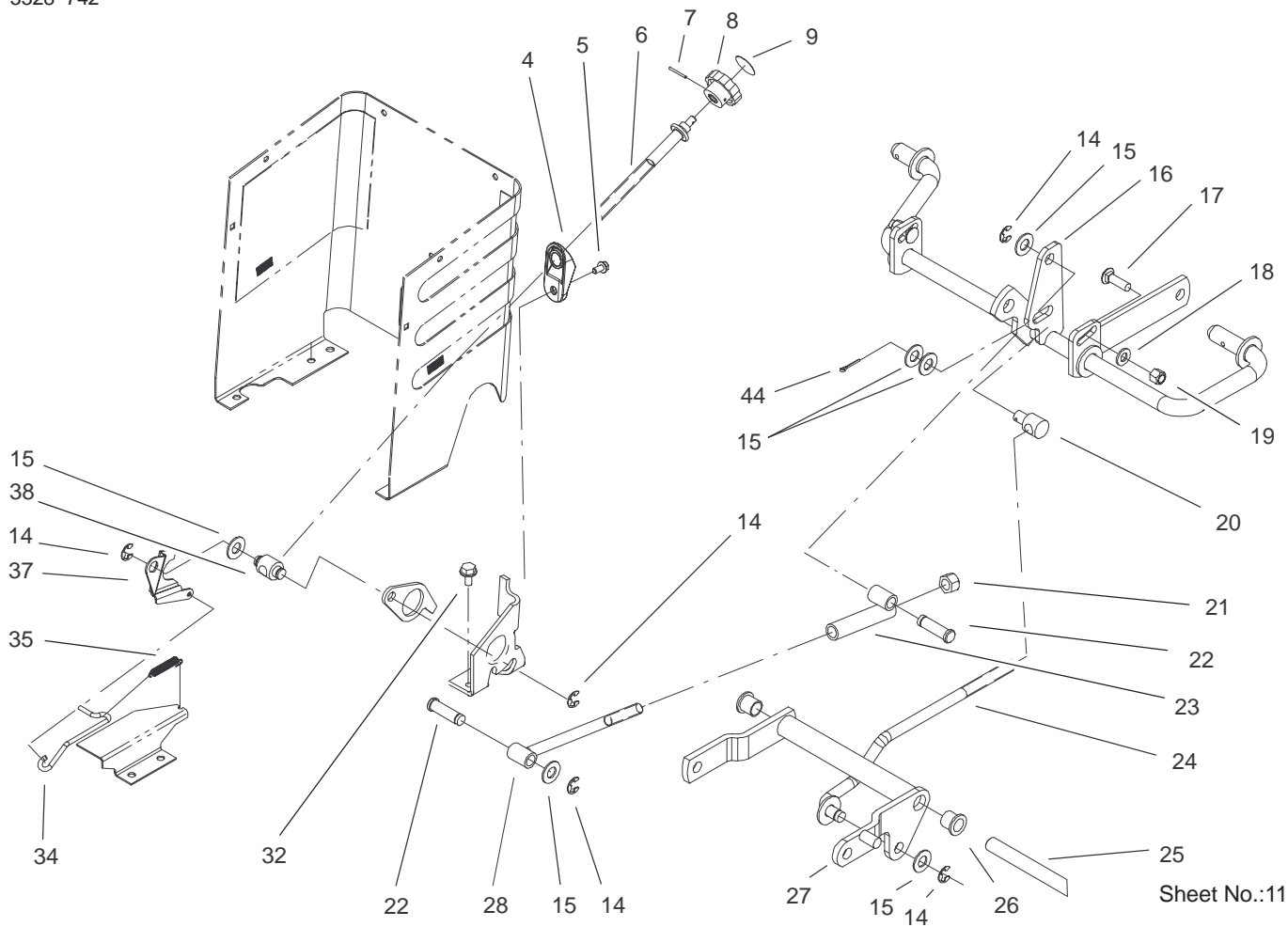


Sheet No.:10

Hoodstand and Firewall Assembly

Ref. No.	Part No.	Qty.	Description
1	92-7020	9	Screw-HH
2	92-6937-03	1	Cover-RH Side
3	92-7006	4	Nut
4	3229-11	4	Screw-CARR
5	104-5015-03	1	Panel-Support, Dash
6	92-6859-03	1	Support - Dash
7	107069	4	Clip
8	92-6778-03	1	Bracket-Lower Column
9	321-4	4	Screw-HH
12	104-5062	1	Hoodstand ASM W/ Decals (only on: 72116)
12	104-5061	1	Hoodstand ASM (only on: 72108)
12:1	83-6620	1	Decal - Instruction
12:2	93-7313	1	Decal-Slope/Hydro (only on: 72116)
12:2	93-0302	1	Decal - Danger (only on: 72108)
13	92-6936-03	1	Cover-LH Side
14	106-5841	1	Decal-270 Hydro
16	212-93	1	Clamp-Casing
17	104-0818-03	1	Firewall
18	24-7924	2	Cover-Drive Shaft
19	32144-4	2	Screw-HWH

Ref. No.	Part No.	Qty.	Description
20	46-8093	2	Screw-Plastite
21	93-1131	1	Trim-Seal Firewall
22	92-6960	2	Latch - Hood
23	32149-2	2	Nut
24	3296-8	4	Nut-Lock, NI
25	32144-8	2	Screw-HH
26	3296-42	3	Nut-Lock, NI
27	32144-14	2	Screw-HWH
28	104-2455	1	Wire Harness-LS55
29	3296-1	2	Nut-Lock NI
30	104-0833-03	1	Bracket-Parking Brake
31	95-1653	1	Switch-Single Pole
32	3290-392	2	Screw-HHF
33	32104-118	2	Screw-PPH
34	104-5066	1	Clamp

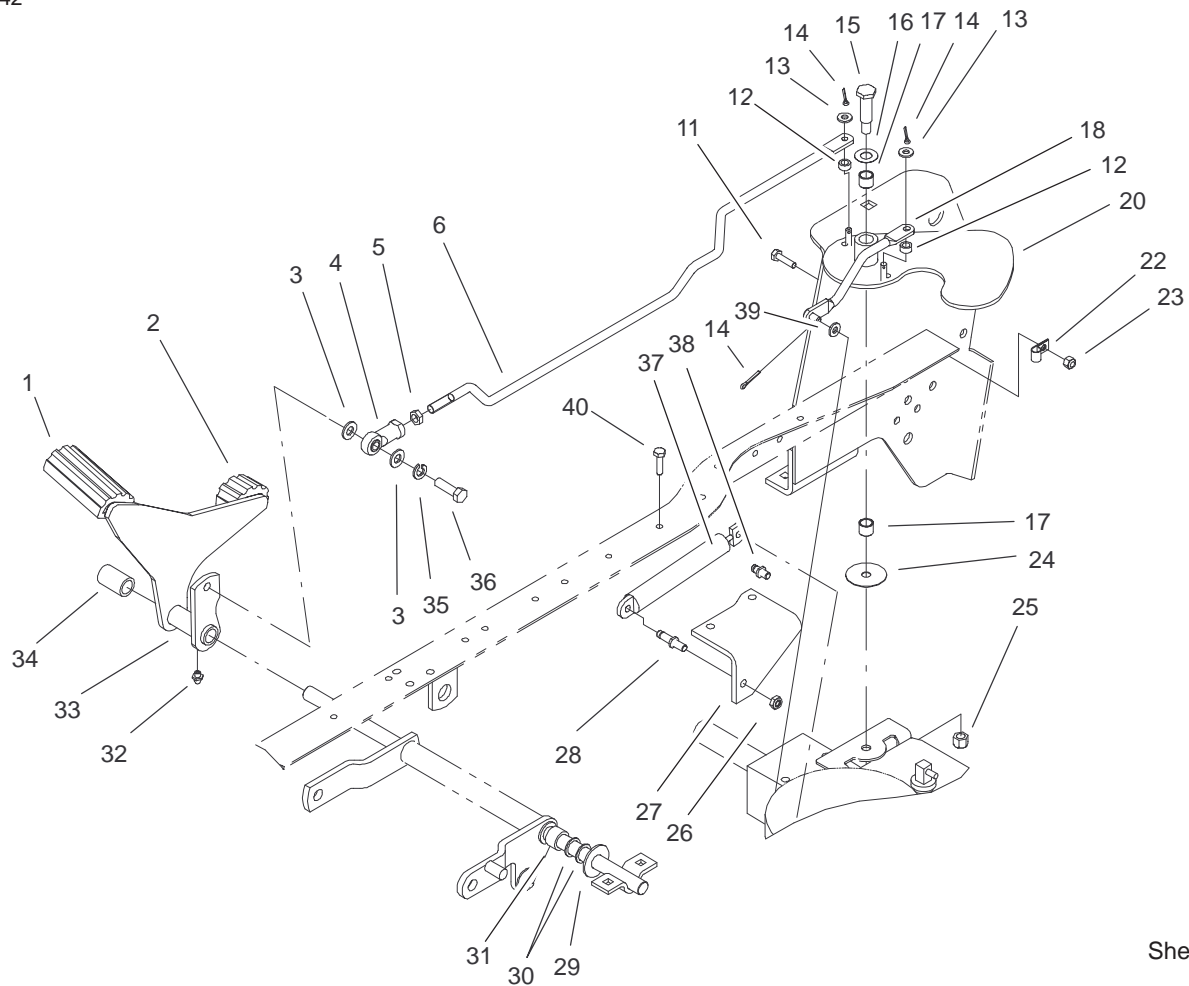


Sheet No.:11

Lift Lever and HOC Assembly

Ref. No.	Part No.	Qty.	Description
4	92-6794	1	Wedge – HOC
5	32144-4	1	Screw-HWH
6	92-6965	1	Rod – HOC
7	933141	1	Pin-Spirol
8	115593	1	Knob
9	78-9740	1	Decal-Height Knob
14	32120-47	5	Ring-Retaining, External
15	3256-26	6	Washer-Flat
16	79-3401-03	1	Shaft-Gage
17	3231-25	2	Screw-CARR
18	3256-24	2	Washer-Flat
19	3296-39	2	Nut-Lock, NI
20	8870	1	Rod-Trunnion Lift
21	3296-23	1	Nut-Lock, NI
22	79-1250	2	Pin
23	78-7390	1	Tube
24	78-2431	1	Rod
25	94-4944	1	Shaft – Pedal Pivot
26	256-90	2	Bushing-Flange
27	92-6855-03	1	Arm-Pivot
28	78-7360	1	Rod
32	32144-14	2	Screw-HWH
34	92-6978	1	Rod – HOC Indicator
35	92-7007	1	Spring – Extension
37	92-6979	1	Plate – HOC Gage

Ref. No.	Part No.	Qty.	Description
38	78-2140	1	Trunnion
44	3272-6	1	Pin-Cotter

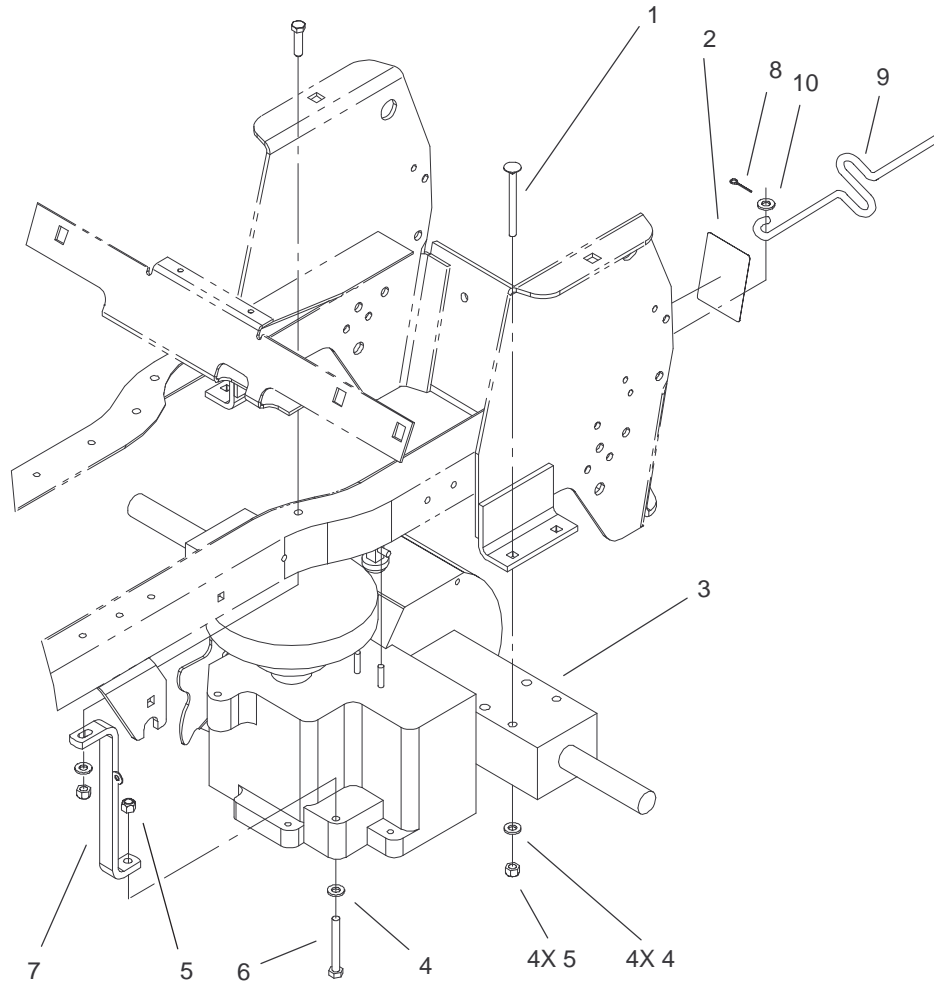


Sheet No.:13

Hydro Controls Assembly

Ref. No.	Part No.	Qty.	Description
1	92-6902	1	Pad-Pedal
2	92-6903	1	Pad-Pedal
3	3256-24	2	Washer-Flat
4	92-7008	1	End-Rod, Female
5	3220-3	1	Nut-Jam
6	100-3450	1	Rod
11	321-4	1	Screw-HH
12	92-6998	2	Spacer - Yoke, Right
13	3256-22	2	Washer-Flat
14	3272-6	3	Pin-Cotter
15	23-0310	1	Bolt-Shoulder
16	98-3087	1	Washer
17	256-1	2	Bushing
18	100-3468	1	Rod-Bell Crank
20	100-3451	1	Plate-Cruise
22	2412-89	1	Clamp
23	3296-42	1	Nut-Lock
24	94-7575	1	Spacer - Cruise
25	3296-59	1	Nut-Lock, NI
26	3296-20	2	Nut-Lock, NI
27	100-3460-03	1	Bracket-Gas Damper
28	100-6057	1	Pin-Damper Bracket
29	94-6875	1	Washer
30	9202154	2	Washer
31	94-4945	1	Spacer
32	302-26	1	Fitting-Grease

Ref. No.	Part No.	Qty.	Description
33	100-6062-03	1	Pedal ASM
34	92-6966	1	Spacer
35	3253-5	1	Washer-Lock
36	323-7	1	Screw-HH
37	100-8732	1	Damper-Gas
38	100-6056	1	Arm-Control, Pin Damper
39	3256-23	1	Washer-Flat
40	32144-70	1	Screw-HH

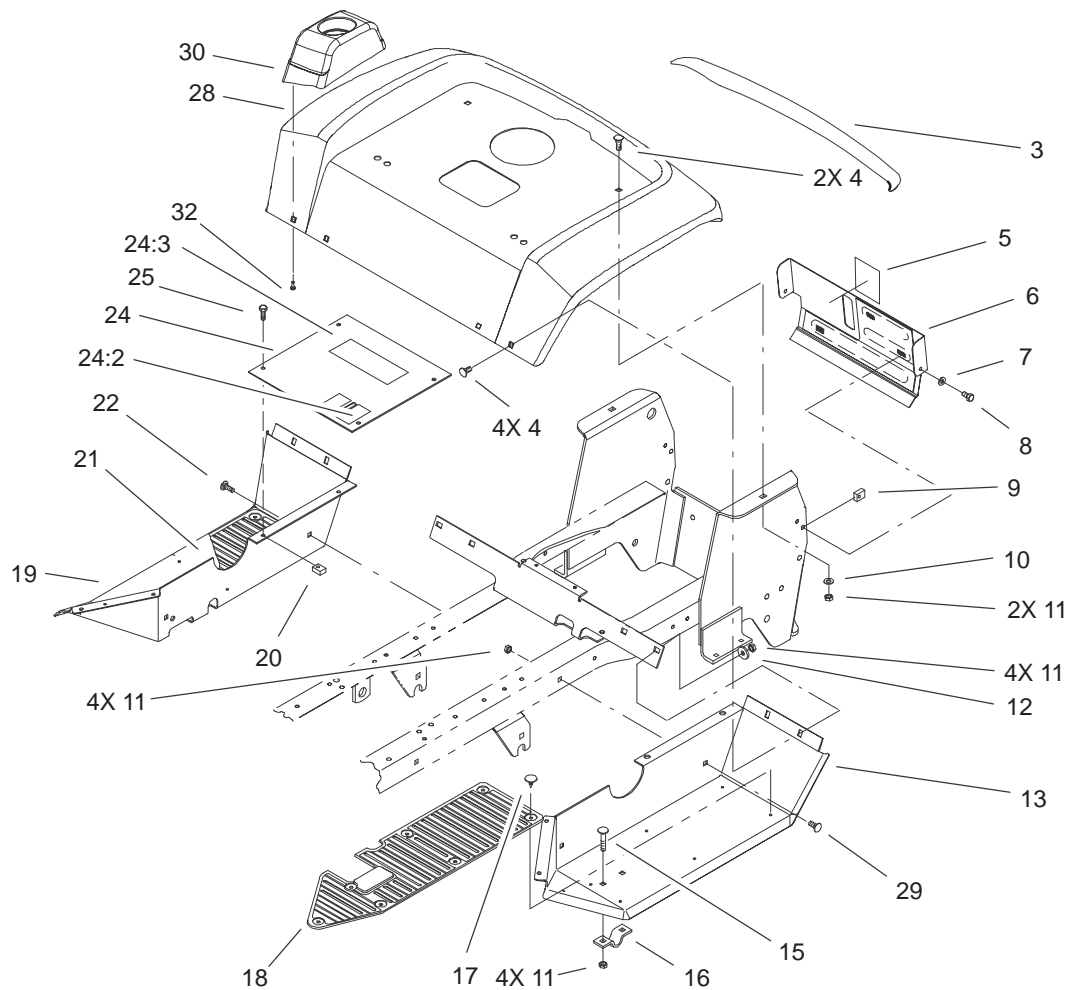


Sheet No.:15

Hydro Transaxle Assembly

Ref. No.	Part No.	Qty.	Description
1	3230-11	4	Screw-CARR
2	92-6726	1	Decal - Hydro Valve (only on: 72108)
2	92-7090	1	Decal - Bypass Valve (only on: 72116)
3	104-4310	1	Transaxle-Hydrostatic
4	3256-23	5	Washer-Flat
5	3296-29	5	Nut-Lock, NI
6	322-11	1	Screw-HH
7	100-7536-03	1	Torque Strap ASM
8	3272-2	1	Pin-Cotter
9	104-5037	1	Rod-Bypass
10	3256-22	1	Washer-Flat

Ref. No.	Part No.	Qty.	Description

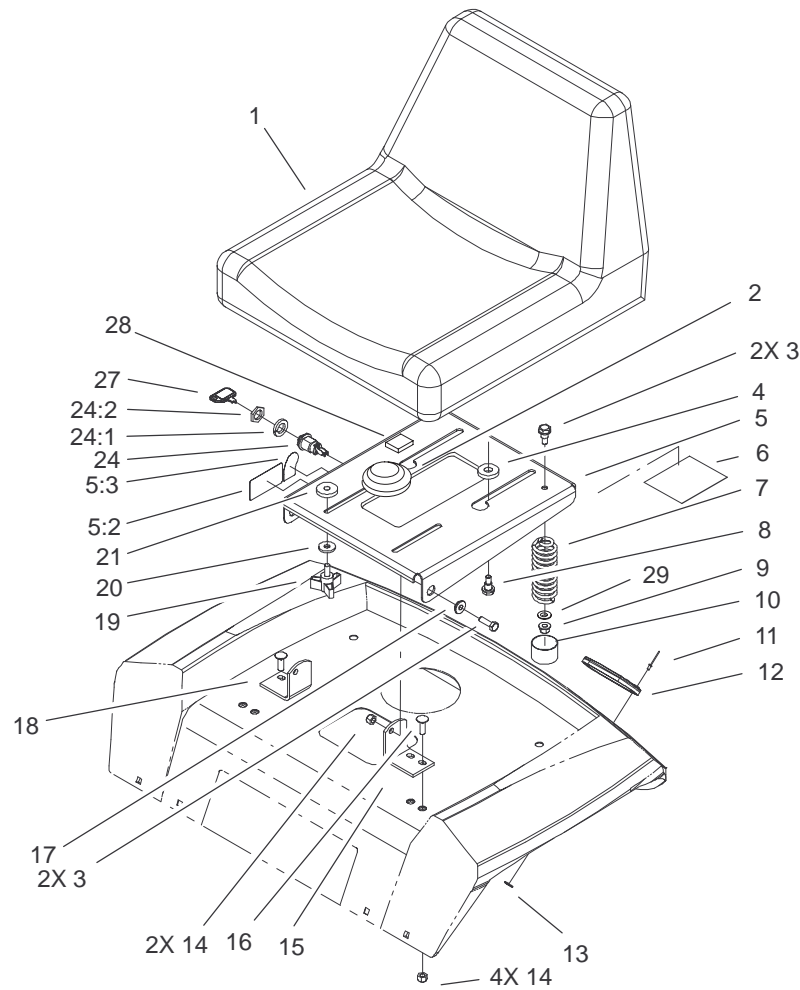


Sheet No.:17

Fender and Footrests Assembly

Ref. No.	Part No.	Qty.	Description
3	106-5845	1	Decal-Rear Fender (only on: 72108)
4	3230-31	6	Screw-CARR
5	92-6727	1	Decal-Fuel Level
6	99-6765-03	1	Rear Panel ASM
7	3256-22	2	Washer-Flat
8	321-4	2	Screw-HH
9	609900	2	Nut-Speed
10	3256-23	2	Washer-Flat
11	3296-29	14	Nut-Lock, NI
12	94-2869	4	Washer
13	94-1711-01	1	Footrest-LH Hydro
15	3230-1	4	Bolt-CARR
16	106288	2	Clamp
17	3290-479	14	Fastener-Panel
18	92-6688	1	Foot Mat-LH
19	92-6747-01	1	Footrest-RH
20	107069	4	Clip
21	92-6687	1	Foot Mat-RH
22	3230-23	3	Screw-CARR
24	94-4243	1	Plate - Footrest W/Decals (only on: 72116)
24	93-0489	1	Plate - Footrest (only on: 72108)

Ref. No.	Part No.	Qty.	Description
24:2	92-6725	1	Decal - HOC (only on: 72108)
24:2	92-7092	1	Decal - HOC (only on: 72116)
24:3	93-7314	1	Decal - Danger (only on: 72116)
24:3	92-8946	1	Decal-Danger (only on: 72108)
25	92-7020	4	Screw-HH
28	104-5030-01	1	Fender ASM
29	3230-23	1	Screw-CARR
30	104-0838	1	Holder-Cup
32	32144-20	4	Screw-Thread Forming

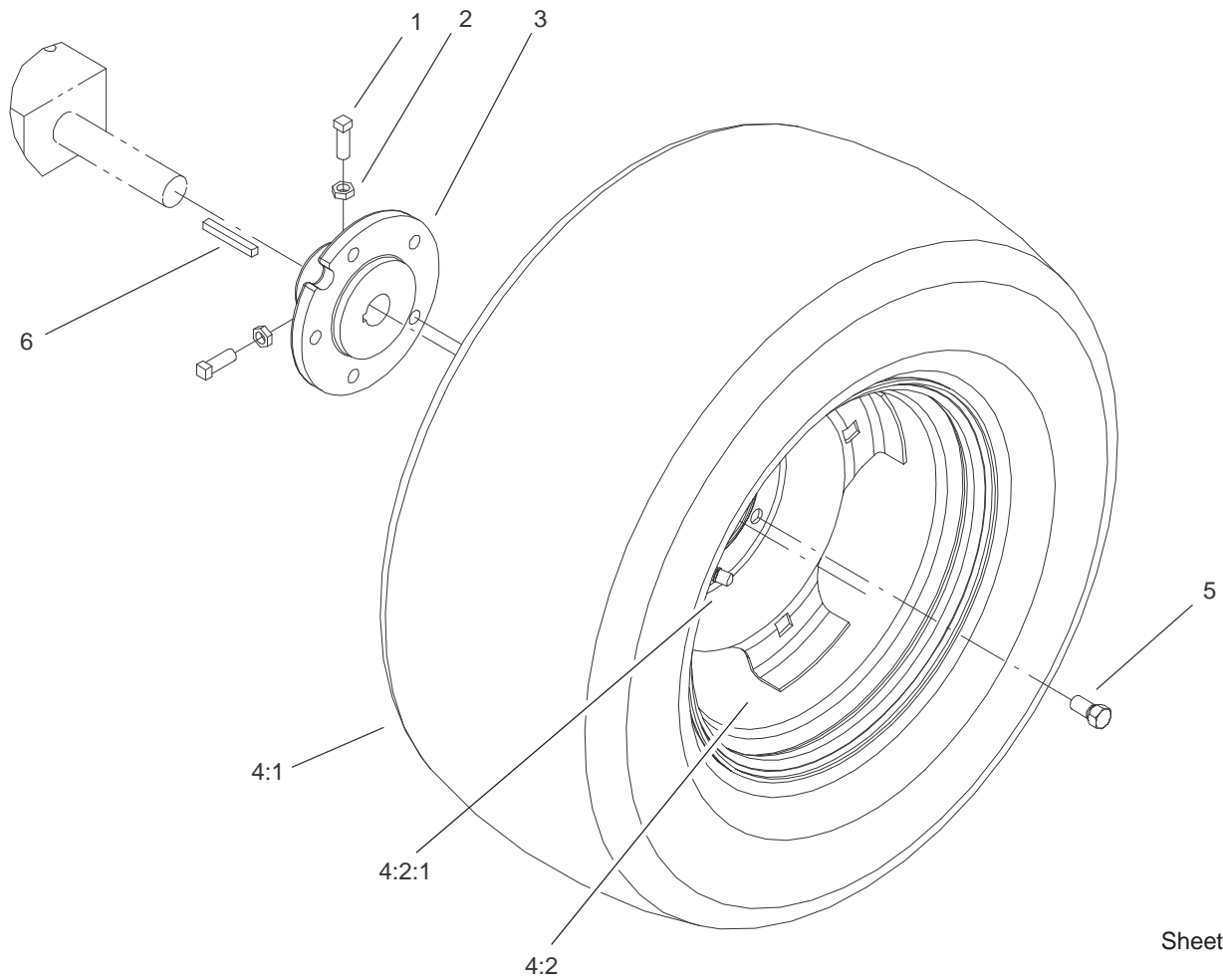


Sheet No.:18

Seat Assembly

Ref. No.	Part No.	Qty.	Description
1	104-2463	1	Seat-High Back
2	100-3524	1	Switch-Seat
3	322-5	4	Screw-HH
4	92-6750	2	Spacer-Nylon
5	104-5027	1	Support Seat ASM (only on: 72108)
5	104-5028	1	Support Seat ASM (only on: 72116)
5:2	99-2986	1	Decal-Danger (only on: 72116)
5:2	99-2985	1	Danger-Decal (only on: 72108)
5:3	99-5340	1	Decal-Switch (only on: 72116)
5:3	99-5339	1	Decal (only on: 72108)
6	114621	1	Decal-Europe (only on: 72116)
7	92-7054	2	Spring-Compression
8	92-6986	2	Bolt-Shoulder
9	3296-58	2	Nut-Lock NI
10	701178	2	Cap-Protector
11	3290-282	4	Rivet-Pop, Steel
12	106557	2	Reflector-Stick On
13	3256-49	4	Washer-Flat
14	3296-29	6	Nut-Lock, NI

Ref. No.	Part No.	Qty.	Description
15	79-0950-03	1	Bracket-Pivot, RH
16	3230-2	4	Bolt-CARR
17	105503	2	Bushing
18	79-0970-03	1	Bracket-Pivot LH
19	700806	2	Knob
20	94-2869	2	Washer
21	109989	2	Spacer-Nylon
24	46-5780	1	Switch-Starter
24:1	3254-5	1	Washer-Lock, Internal
24:2	218-461	1	Nut-HH
27	62-7770	1	Key-Ignition
28	104-2488	1	Foam-Switch, Seat
29	3256-23	2	Washer-Flat



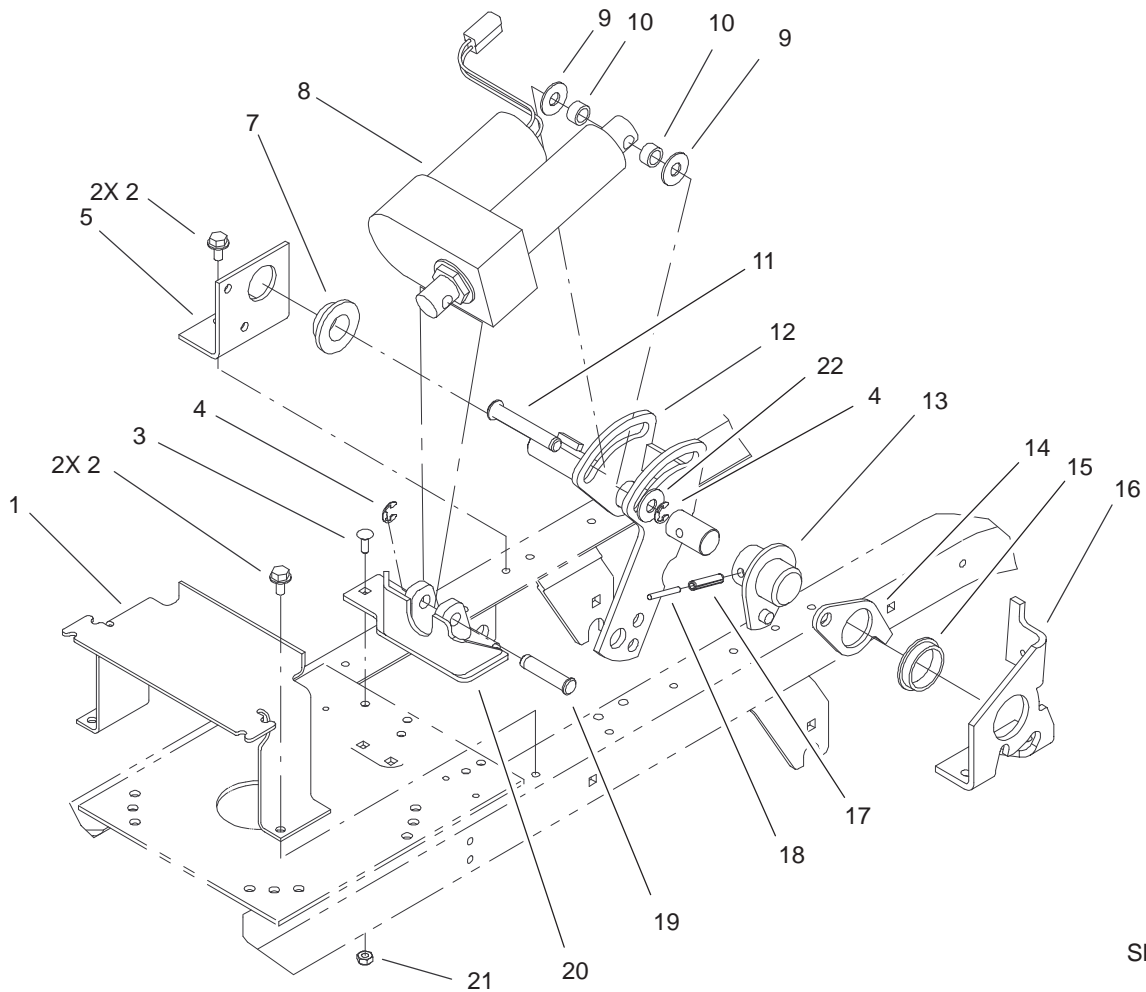
Sheet No.:20

Rear Wheel Assembly

Ref. No.	Part No.	Qty.	Description
1	3243-5	4	Screw-Set
2	3218-3	4	Nut-Jam
3	93-3659-03	2	Hub-Wheel
4		2	Rear Wheel & Tire ASM
4:1	99-2334	1	Tire
4:2	78-1221	1	Wheel
4:2:1	5108	1	Valve
*	7007	1	Tube-Inner
5	83-2720	10	Bolt-Lug
6	5-1336	2	Key

Ref. No.	Part No.	Qty.	Description

* Not illustrated

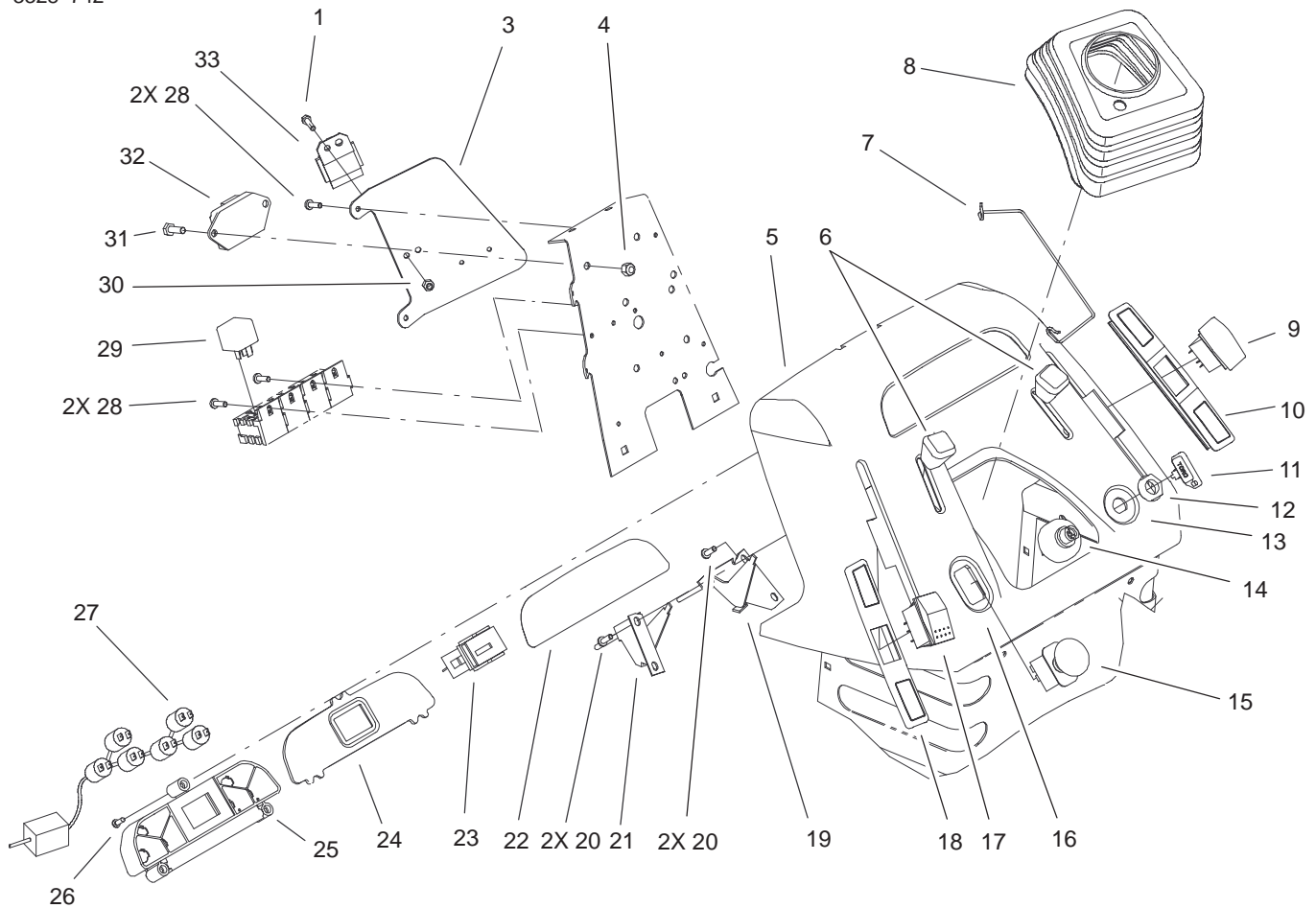


Sheet No.:22

Power Lift Assembly

Ref. No.	Part No.	Qty.	Description
1	104-0812-03	1	Bracket-Battery
2	32144-14	4	Screw-HWH
3	3230-2	5	Bolt-CARR
4	32120-47	2	Ring-Retaining, External
5	93-0523-03	1	Bracket-Pivot, Linkage
7	106269	1	Bearing-Flange
8	104-0811	1	Actuator
9	3256-5	2	Washer-Flat
10	104-0843	2	Spacer
11	104-0842	1	Pin-Clevis
12	104-0817-03	1	Lift Arm ASM
13	94-3553	1	End-Cap
14	94-4927	1	Arm - HOC
15	92-6869	1	Bushing
16	94-4928	1	Bracket - Lift Arm
17	32121-25	1	Pin-Roll
18	32121-103	1	Pin-Spring
19	104-0823	1	Pin-Clevis
20	104-0815-03	1	Actuator Bracket ASM
21	3296-29	5	Nut-Lock, NI
22	104-5064	1	Washer-Flat

Ref. No.	Part No.	Qty.	Description

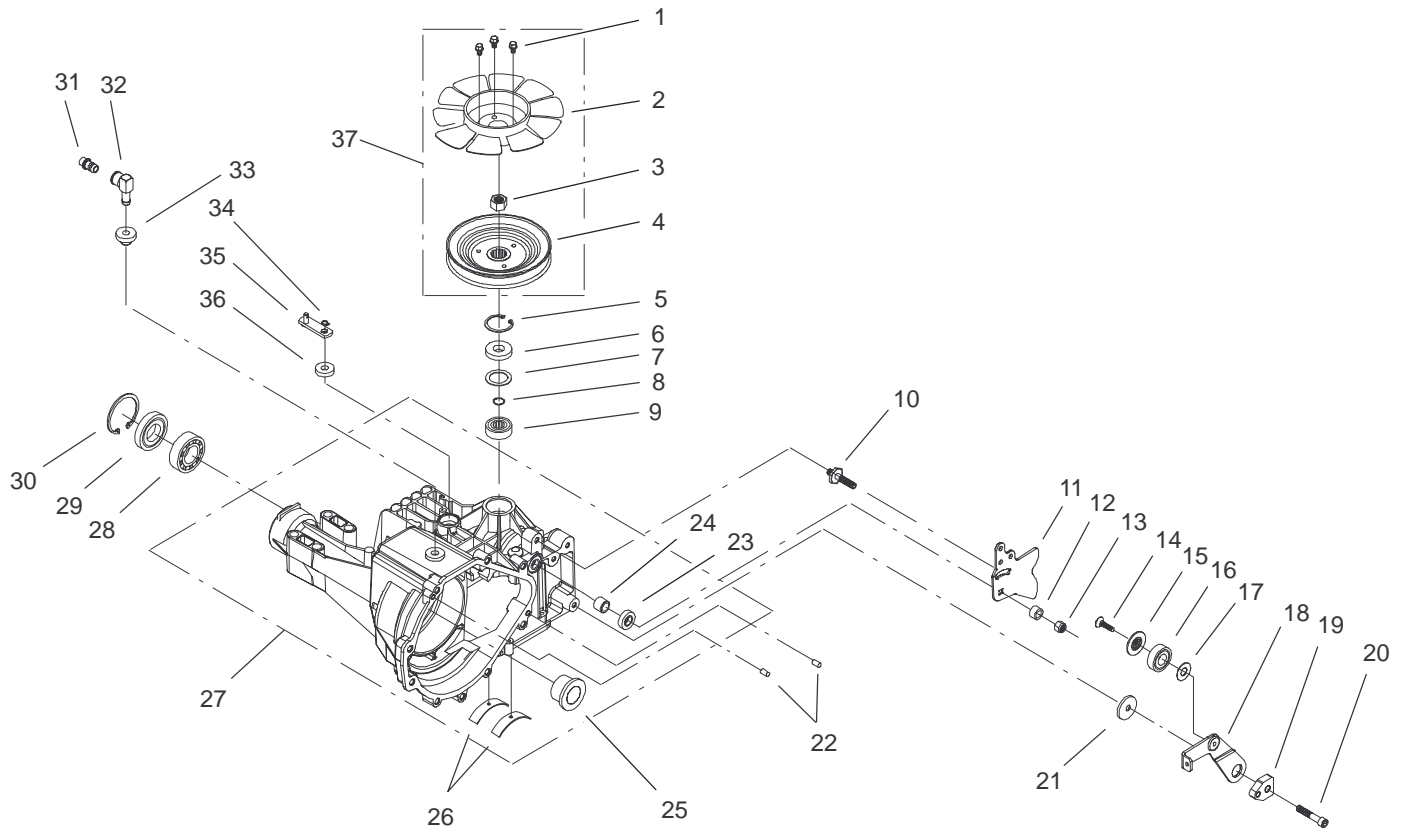


Sheet No.:23

Dash Assembly

Ref. No.	Part No.	Qty.	Description
1	32105-12	2	Screw
3	104-0848-03	1	Panel-Support, Aux
4	3296-42	2	Nut-Lock, NI
5	94-1894	1	Dash
6	66-0120	2	Knob
7	94-2966	1	Clip - Boot
8	92-6680	1	Boot-Steering
9	93-0527	1	Switch - Cruise
10	93-0533	1	Cover - RH Slot (only on: 72116)
10	93-0516	1	Cover - RH Slot (only on: 72108)
11	62-7770	1	Key-Ignition
12	700919	1	Nut
13	93-7255	1	Decal - Dash (only on: 72116)
13	92-6721	1	Decal - Throttle, Ignition (only on: 72108)
14	92-6785	1	Switch-Ignition
15	93-9998	1	Switch-PTO
16	93-7256	1	Decal - Dash PTO/Choke (only on: 72116)
16	92-6720	1	Decal - PTO/Choke (only on: 72108)

Ref. No.	Part No.	Qty.	Description
17	94-1742	1	Switch
18	94-3513	1	Cover - Lift (only on: 72116)
18	94-1710	1	Cover-Lift (only on: 72108)
19	92-6784	1	Control-Throttle Twin
20	32144-32	4	Screw
21	92-6783	1	Control - Choke Twin
22	99-8035	1	Decal - Dash Lens
23	94-4208	1	Hourmeter
24	92-6705	1	Lens - Dash
25	94-1714	1	Housing - Light
26	94-6961	3	Screw
27	99-8072	1	Harness-6 Lamp
28	32144-8	4	Screw-HH
29	98-7249	4	Relay
30	3296-2	2	Nut-Lock
31	321-4	2	Screw-HH
32	99-3701	1	Module-Clutch
33	99-1933	1	Module-Low Voltage

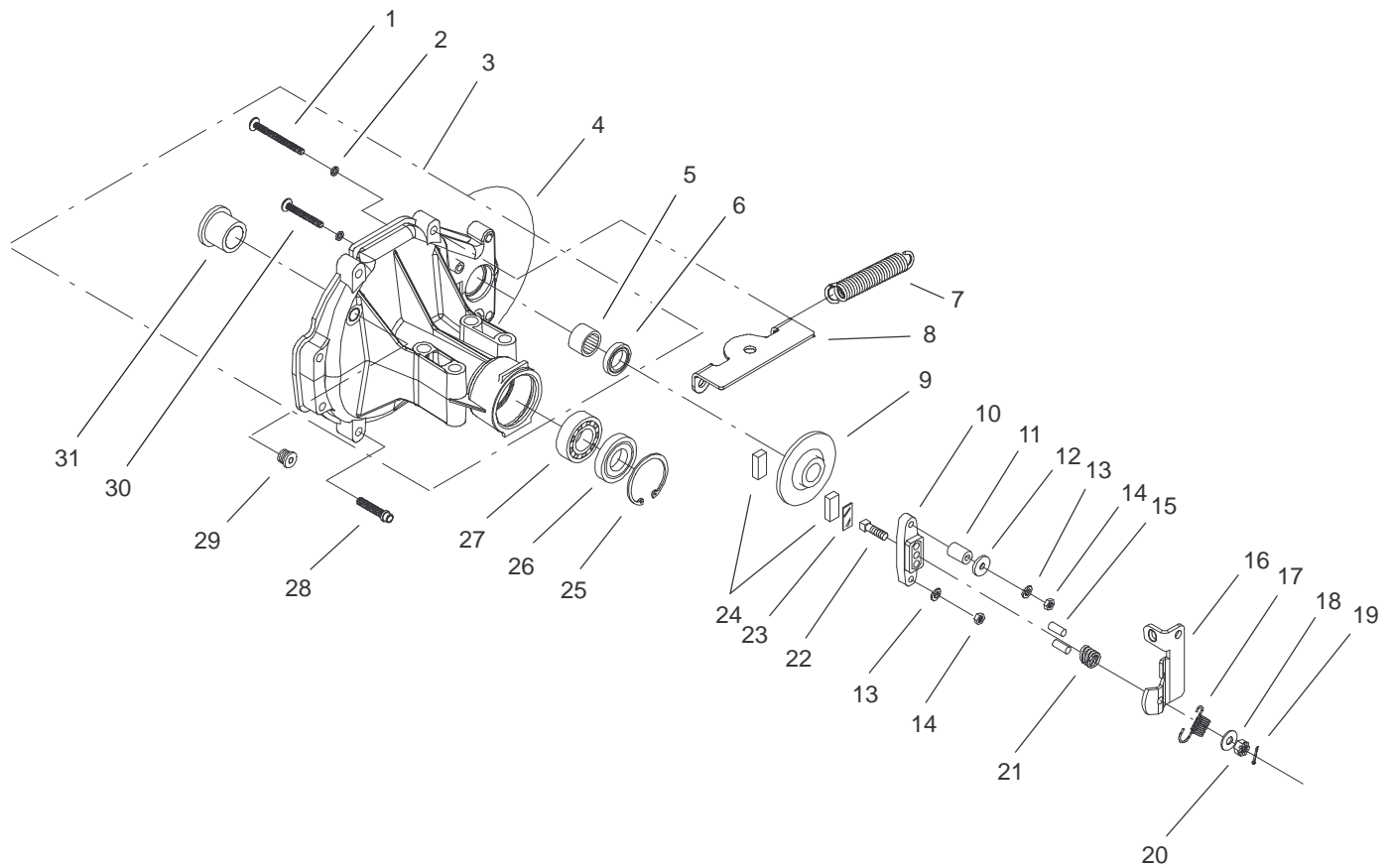


Sheet No.:3

Housing and Fan Assembly

Ref. No.	Part No.	Qty.	Description
1	104-2164	3	Screw
2	104-2162	1	Fan
3	104-2168	1	Nut-Hex
4	104-2161	1	Pulley
5	94-1903	1	Ring - Retaining
6	92-6543	1	Seal - Lip
7	104-2104	1	Spacer
8	94-1902	1	Ring - Wire Retaining
9	94-1904	1	Bearing - Shaft Ball
10	104-2116	1	Stud
11	100-6093	1	Arm-Control
12	104-2163	1	Spacer, Trunnion
13	104-2159	1	Nut-Hex Lock
14	104-2158	1	Screw-Countersunk
15	104-2157	1	Spacer-Locating
16	104-2156	1	Bearing
17	94-1933	1	Washer
18	104-2114	1	Arm-Return
19	104-2119	1	Puck-Adjusting
20	104-2155	1	Screw
21	104-2154	1	Washer
22	104-2170	2	Pin
23	92-6544	1	Seal - Lip
24	104-2113	1	Trunnion Bushing
25	104-2139	2	Bearing-Flange
26	94-1905	2	Bearing - Cradle

Ref. No.	Part No.	Qty.	Description
27	104-2101	1	Main Housing ASM
28	104-2143	2	Bearing-Ball
29	104-2144	2	Seal
30	104-2169	2	Ring-Retaining
31	104-2167	1	Cap ASM-Vent
32	104-2166	1	Fitting
33	104-2165	1	Bushing, Rubber
34	936109	1	Ring - Retaining
35	104-2117	1	Arm-Bypass
36	92-6545	1	Seal - Lip
37	104-2190	1	Kit-Fan/Pulley

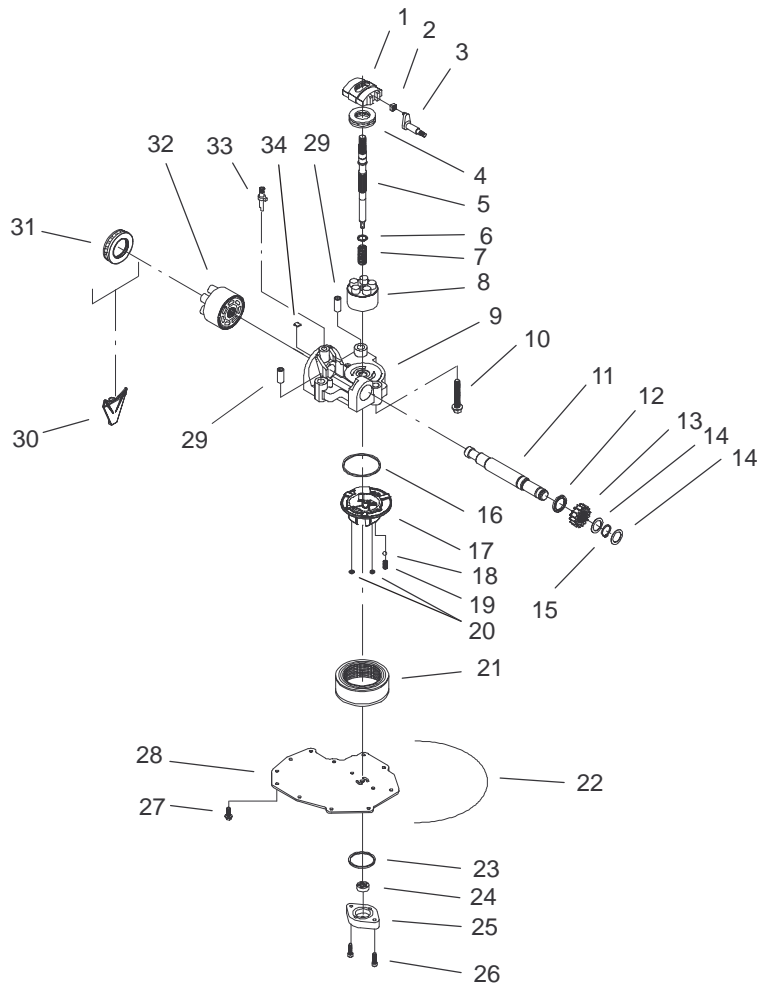


Sheet No.:5

Brake Assembly

Ref. No.	Part No.	Qty.	Description
1	104-2182	1	Bolt
2	104-2191	4	O-Ring
3	104-2102	1	RH Housing ASM
4	104-2147	1	Sealant
5	104-2149	1	Bearing-Needle
6	104-2152	1	Seal-Lip
7	104-2118	1	Spring-Return
8	100-1349	1	Bracket-Bell Crank
9	104-2153	1	Disk-Brake
10	104-2173	1	Yoke-Brake
11	104-2180	1	Spacer
12	104-2183	1	Washer
13	104-2177	2	Washer-Lock
14	104-2178	2	Nut
15	104-2176	2	Pin-Brake
16	104-0841	1	Arm-Brake
17	104-2184	1	Spring-Brake Arm
18	104-2146	1	Washer
19	104-2179	1	Pin-Cotter
20	93-3807	1	Nut - Castle
21	104-2188	1	Spring-Brake, Anti Drag
22	104-2174	1	Bolt-SQH
23	104-2181	1	Puck-Plate
24	104-2171	2	Puck-Brake
25	104-2169	2	Ring-Retaining

Ref. No.	Part No.	Qty.	Description
26	104-2144	2	Seal
27	104-2143	2	Bearing-Ball
28	104-2148	9	Screw-TTH
29	104-2189	1	Plug, Straight Thread
30	104-2172	1	Bolt
31	104-2139	2	Bearing-Flange



Sheet No.:6

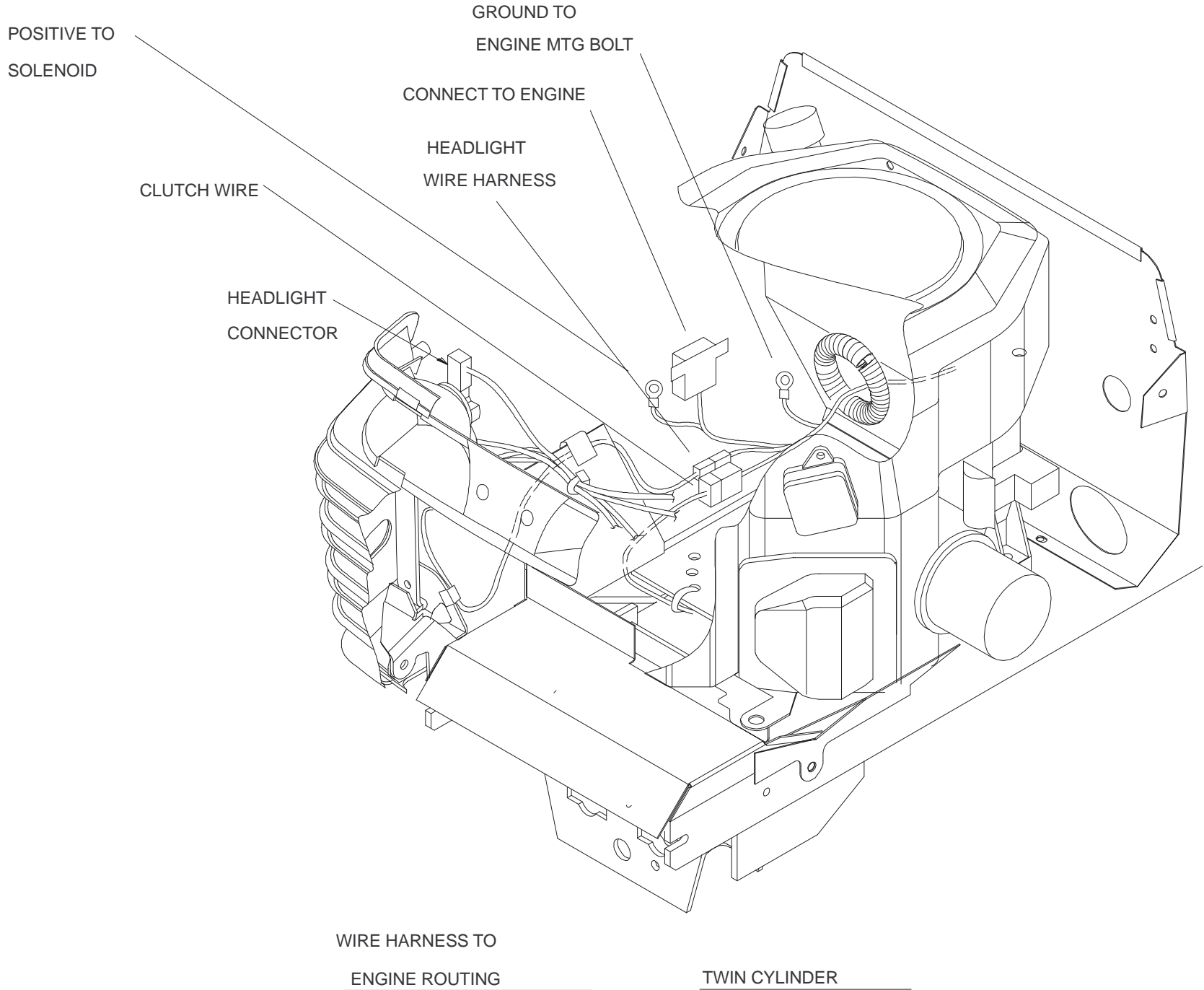
Cylinder Block Assembly

Ref. No.	Part No.	Qty.	Description
1	94-1907	1	Swashplate - Variable
2	94-1910	1	Guide - Slot
3	104-2112	1	Trunnion ASM
4	94-6922	1	Bearing - Thrust
5	104-2105	1	Shaft-Input
6	94-1937	1	Washer - Block Thrust
7	94-1936	1	Spring - Block
8	104-2106	1	Cylinder Block ASM
9	104-2103	1	Kit, Center Section
10	94-6926	3	Bolt
11	104-2107	1	Shaft-Output
12	104-2109	1	Spacer
13	104-2110	1	Gear-Pinion, 16t
14	104-2150	2	Washer
15	104-2151	1	Ring-Retaining
16	104-2185	1	O-Ring
17	104-2156	1	Bearing
18	104-2187	1	Ball, 7/16
19	104-2186	1	Spring, Relief
20	104-2191	4	O-Ring
21	104-2125	1	Filter
22	104-2147	1	Sealant
23	104-2123	1	O-Ring
24	104-2122	1	Gerotor ASM
25	104-2124	1	Gerotor Cover
26	104-2111	2	Capscrew

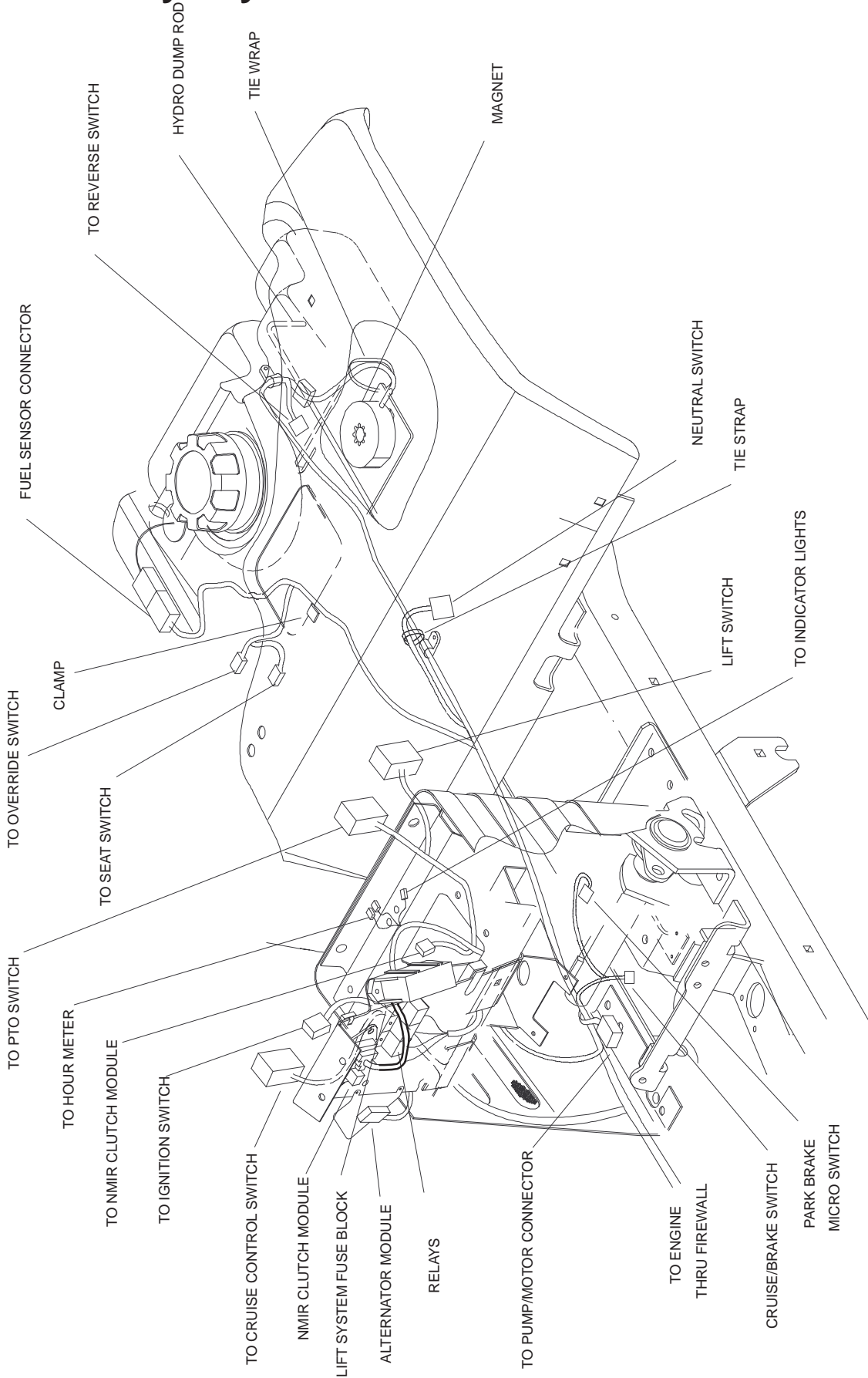
Ref. No.	Part No.	Qty.	Description
27	104-2120	11	Screw
28	104-2121	1	Cover-Lower
29	94-1927	2	Pin
30	104-2127	1	Retainer-Motor Bearing
31	94-6923	1	Bearing - Thrust
32	94-1913	1	Cylinder Block ASM
33	94-1914	1	Actuator - Bypass
34	94-6925	1	Plate - Bypass

Engine Wire Harness Routing Assembly

3328-742

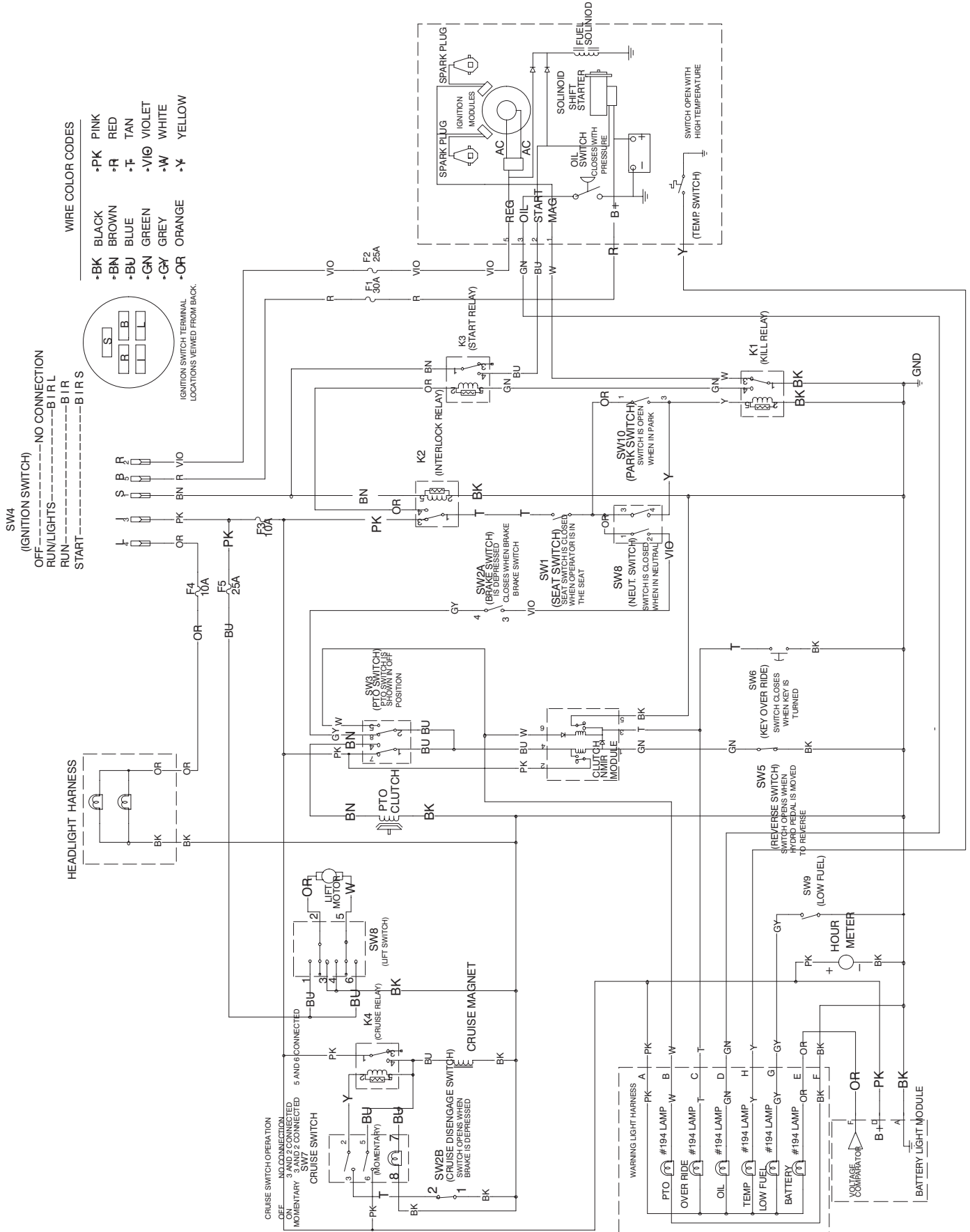


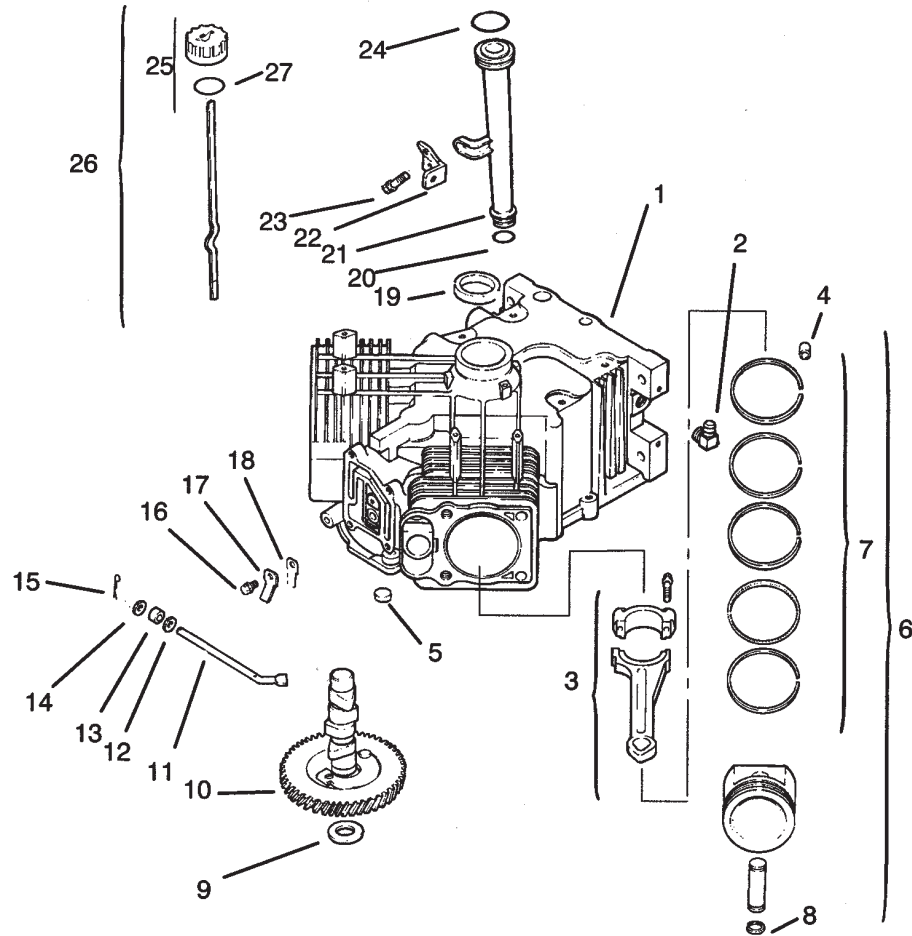
Twin Cyl. Hydro w/Cruise & Power Lift Wire Routing



WIRE HARNESS ROUTING
 TWIN CYLINDER HYDRO
 W/CRUISE AND POWER LIFT

270-H Wiring Schematic





Sheet No.: 202
C-1960

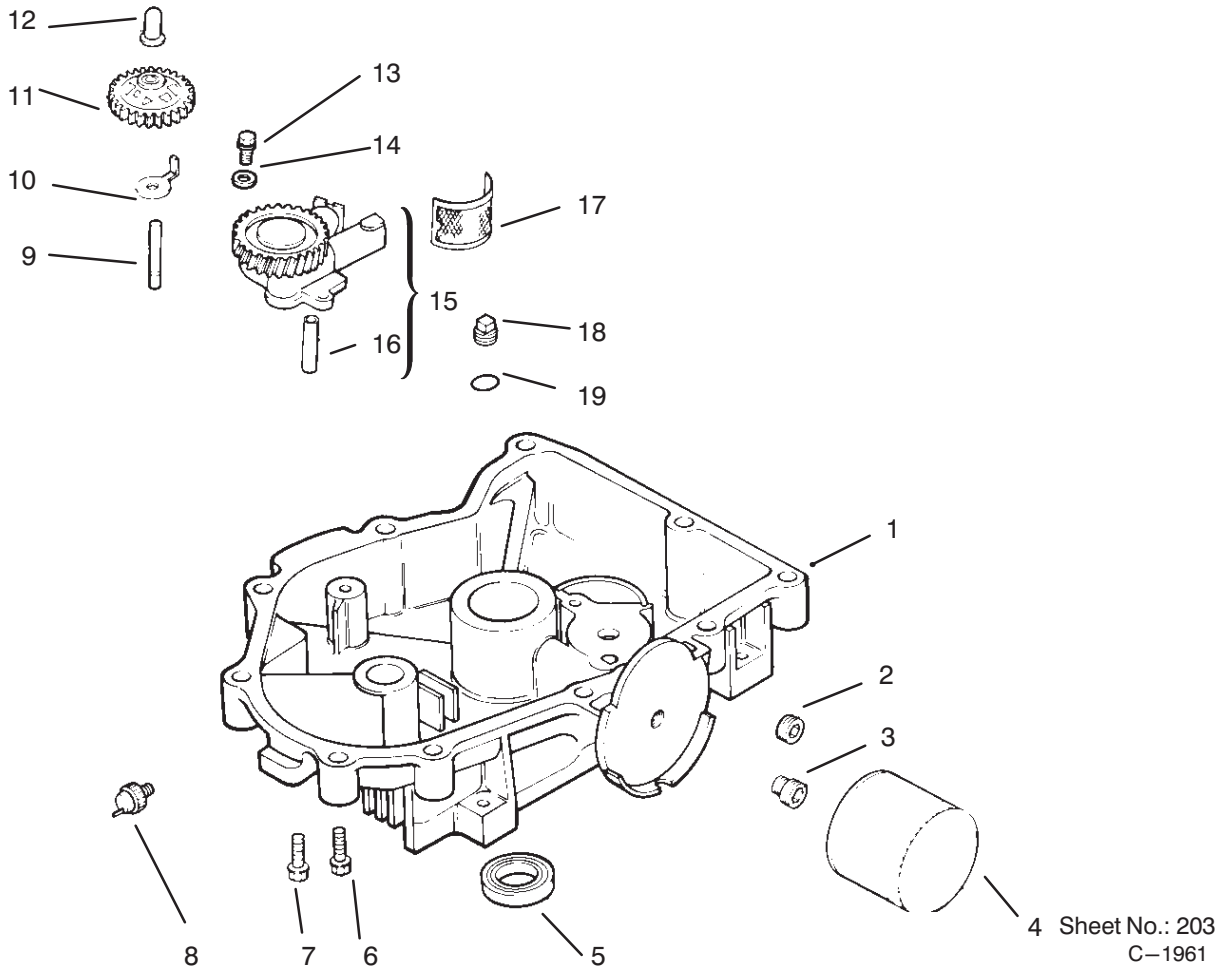
Group 2—Crankcase Assembly Kohler Model No. CV20S-65531 and CV20S-65532

Ref. No.	Part No.	Qty.	Description	Ref. No.	Part No.	Qty.	Description
1	24 522 09	1	Short Block	10	24 012 05	1	Camshaft
2	25 155 02	1	Connector-90 DEG	11	24 144 01	1	Shaft-Governor Cross
3	24 067 01	2	Connecting Rod STD	12	X-25-63	1	Washer-Flat
3	24 067 02	2	Connecting Rod .25	13	12 032 01	1	Seal-Governor Shaft
†4	12 380 03	6	Dowel-Locating	14	X-25-102	1	Washer-Flat
5	52 139 09	1	Plug-Cup	15	12 380 04	1	Pin-Governor Hitch
6	24 874 01	2	Piston ASM STD INC 4/7/8	16	M-0545010	2	Screw M5x0.8x10
6	24 874 02	2	Piston ASM .25 INC 4/7/8	17	24 018 04	2	Retainer-Reed
6	24 874 03	2	Piston ASM .50 INC 4/7/8	18	24 402 01	2	Beed-Breather
†7	24 108 01	2	Ring Set STD INC 4/8	19	24 032 01	1	Seal-Oil
7	24 108 02	2	Ring Set .25 INC 4/8	20	12 153 01	1	O Ring-Lower Fill Tube
7	24 108 03	2	Ring Set .50 INC 4/8	21	12 123 04	1	Tube-Oil Fill
†8	24 018 01	4	Retainer-Piston Pin	22	24 126 19	1	Bracket-Oil Fill Tube
9	12 422 07	1	Shim-Camshaft A/R	23	M-0549016	1	Screw M5x0.8x16
9	12 422 08	1	Shim-Camshaft A/R	24	12 153 02	1	O Ring-Upper Fill Tube
9	12 422 09	1	Shim-Camshaft A/R	25	24 038 04	1	Dipstick INC 26-27
9	12 422 10	1	Shim-Camshaft A/R	†26	25 755 13	1	Kit-Oil Cap INC 3
9	12 422 11	1	Shim-Camshaft A/R	†27	12 153 03	1	O Ring-Fill Cap
9	12 422 12	1	Shim-Camshaft A/R	*	24 755 03	1	Gasket Set
9	12 422 13	1	Shim-Camshaft A/R				

† Included in a service kit or in an assembly

* Not illustrated

Obtain parts from Kohler



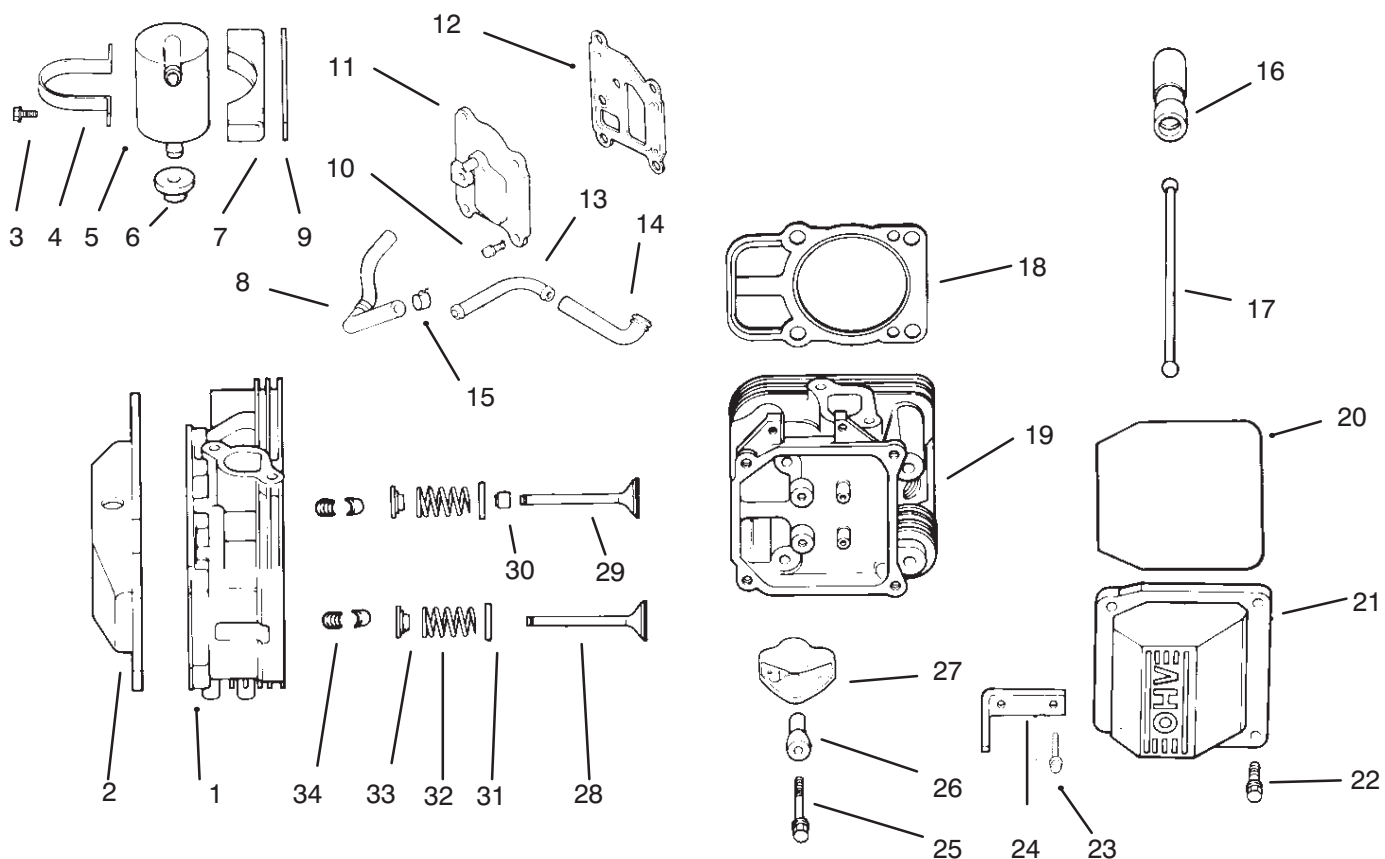
Group 3—Oil Pan/Lubrication Assembly Kohler Model No. CV20S-65531 and CV20S-65532

Ref. No.	Part No.	Qty.	Description	Ref. No.	Part No.	Qty.	Description
1	24 199 01	1	Oil Pan				
2	X-75-32	1	Plug-HS 3/8 NPTF				
3	24 136 01	1	Nipple-Oil Filter				
4	12 050 01	1	Filter-Oil				
5	52 032 08	1	Seal-Oil				
6	24 086 17	1	Screw M8x1.25x45				
7	24 086 16	9	Screw M8x1.25x45				
8	52 099 06	1	Switch-Oil Pressure				
9	12 144 02	1	Shaft-Governor Gear				
10	52 448 02	1	Tab-Locking				
11	24 043 11	1	Governor Gear ASM				
12	12 380 01	1	Pin-Governor				
			Regulating				
13	M-0645025	2	Screw-Valve Cover				
14	Sm-0631005	2	Washer-Governor				
15	24 393 05	1	Oil Pump ASM INC 16				
†16	24 123 05	1	Tube-Oil Pickup				
17	12 162 02	1	Screen-Oil Pickup				
18	X-75-10	1	Plug-SH 3/8 NPTF				
19	24 153 08	1	O Ring				
*	25 113 05	1	Decal-Oil Sentry				

† Included in a service kit or in an assembly

* Not illustrated

Obtain parts from Kohler



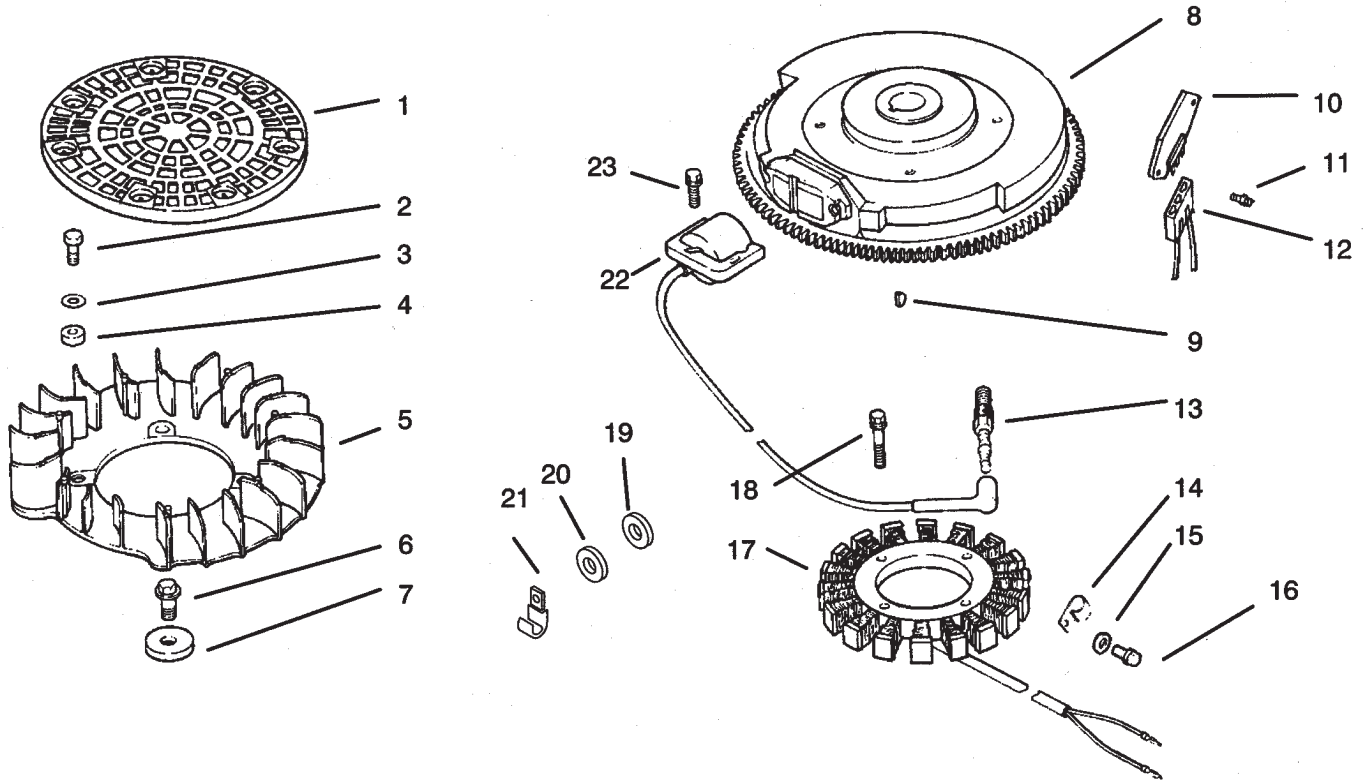
Sheet No.: 204

Group 4—Head/Valve/Breather Assembly Kohler Model No. CV20S-65531 and CV20S-65532

Ref. No.	Part No.	Qty.	Description
1	24 318 11	1	Head ASM-#1 Cylinder
2	24 755 76	1	Kit-Valve Incl 6 20-22
3	M-0545016	2	Screw M5x0.8x16
4	24 445 02	1	Strap-Breather
5	24 755 57	1	Kit-Breather Incl 3-9
6	25 313 02	1	Grommet-Rubber
7	24 126 44	1	Bracket-Breather Sep
8	24 326 13	1	Hose-Breather
9	24 112 12	1	Spacer
10	M-0645020	4	Screw-HH M6x1.0x20
11	24 096 15	1	Cover-Breather
12	24 041 23	1	Gasket-Breather
13	24 294 06	1	Fitting
14	24 326 14	1	Hose-Breather
15	X-426-9	2	Clamp-Hose
16	12 351 01	4	Lifter-Valve
17	24 411 05	4	Rod-Push
18	24 041 08	2	Gasket-Cylinder Head
19	24 318 12	1	Head ASM-#2 Cylinder
20	24 153 12	1	O-Ring

Ref. No.	Part No.	Qty.	Description
21	24 755 74	1	Kit Valve Incl 20-22
22	24 086 32	4	Screw-Shoulder
23	12 086 16	8	Screw M10x1.5x91
24	24 445 01	1	Strap-Lifting
25	M-0640034	4	Screw M6x1.0x34
26	24 599 01	4	Pivot-Rocker Arm
27	25 186 01	4	Arm-Rocker
28	24 016 01	2	Valve-Exhaust
28	24 016 02	2	Valve-Exhaust (.25)
29	24 017 01	2	Valve-Intake
29	24 017 02	2	Valve-Intake (.25)
30	24 032 05	2	Seal-Valve Stem
31	235011	4	Retainer-Spring
32	24 089 02	4	Spring-Valve
33	12 173 01	4	Cap-Valve Spring
34	12 755 03	4	Kit-Retainer
	24 033 03	1	Kit-Breather Incl 11-12
	24 755 66	1	Kit-Valve Incl 17 26-27

Obtain parts from Kohler



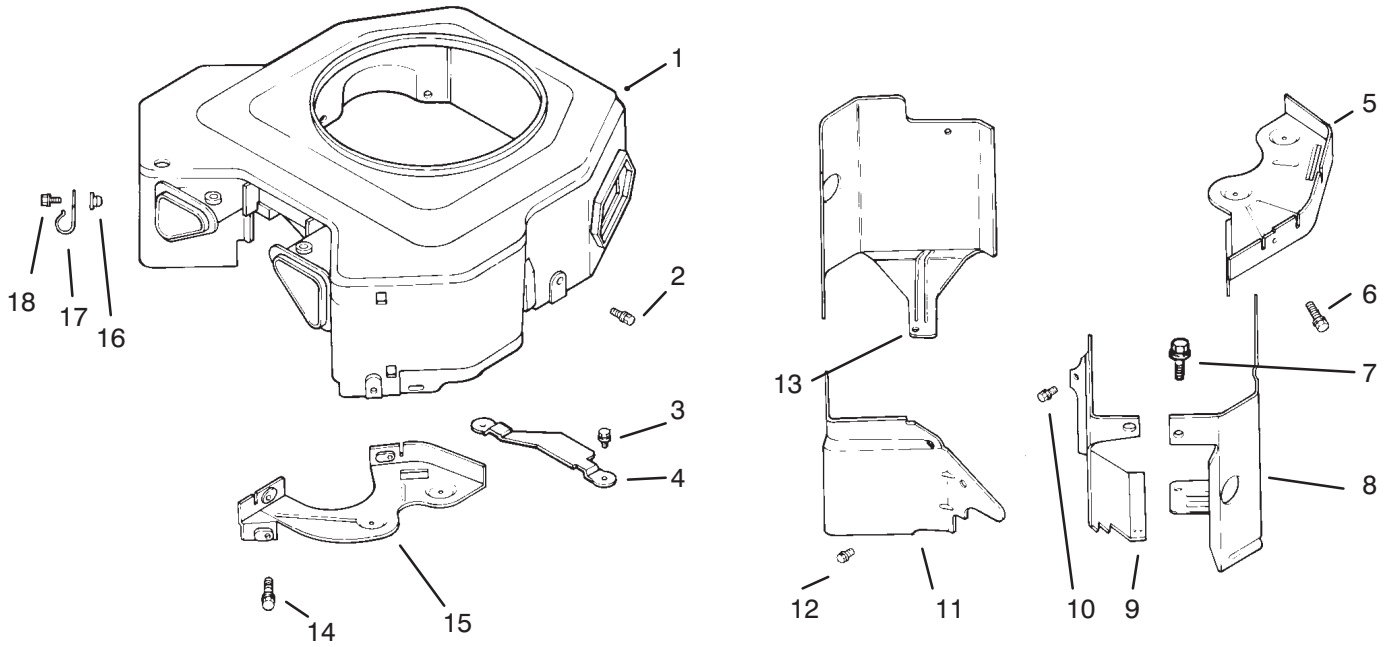
Sheet No.: 205
C-1963

Group 5—Ignition/Electrical Assembly Kohler Model No. CV20S-65531 and CV20S-65532

Ref. No.	Part No.	Qty.	Description
1	24 162 17	1	Screen-Grass
2	M-0401025	4	Screw M4x0.7x24
3	X-25-92	4	Washer-Flat
4	24 112 04	1	Spacer-Fan
5	24 157 03	1	Fan
6	M-0639016	4	Screw M6x1.0x16
7	12 112 01	4	Spacer-Fan
8	24 025 04	1	Flywheel ASM
9	X-42-15	1	Key
10	25 403 03	1	Rectifier-Regulator
11	24 086 06	2	Screw-Phillips
12	236602	1	Connector-Regulator
13	12 132 02	2	Spark Plug
14	48 154 02	1	Clip-Stator Harness
15	12 468 03	1	Washer-Flywheel Screw
16	12 086 14	1	Screw-Flywheel Mounting
17	24 085 01	1	Stator-15 Amp
18	M-0548025	2	Screw M5x0.8x25
19	X-25-63	2	Washer-Flat
20	X-25-92	2	Washer-Flat

Ref. No.	Part No.	Qty.	Description
21	235173	1	Clip-Cable
22	24 584 01	1	Module-Ignition
23	M-0545020	4	Screw M5x0.8x20
*	24 113 18	1	Decal-Grass Screen
*	24 176 06	1	Harness-Wire
*	24 518 04	1	Lead-Green

* Not illustrated
Obtain parts from Kohler



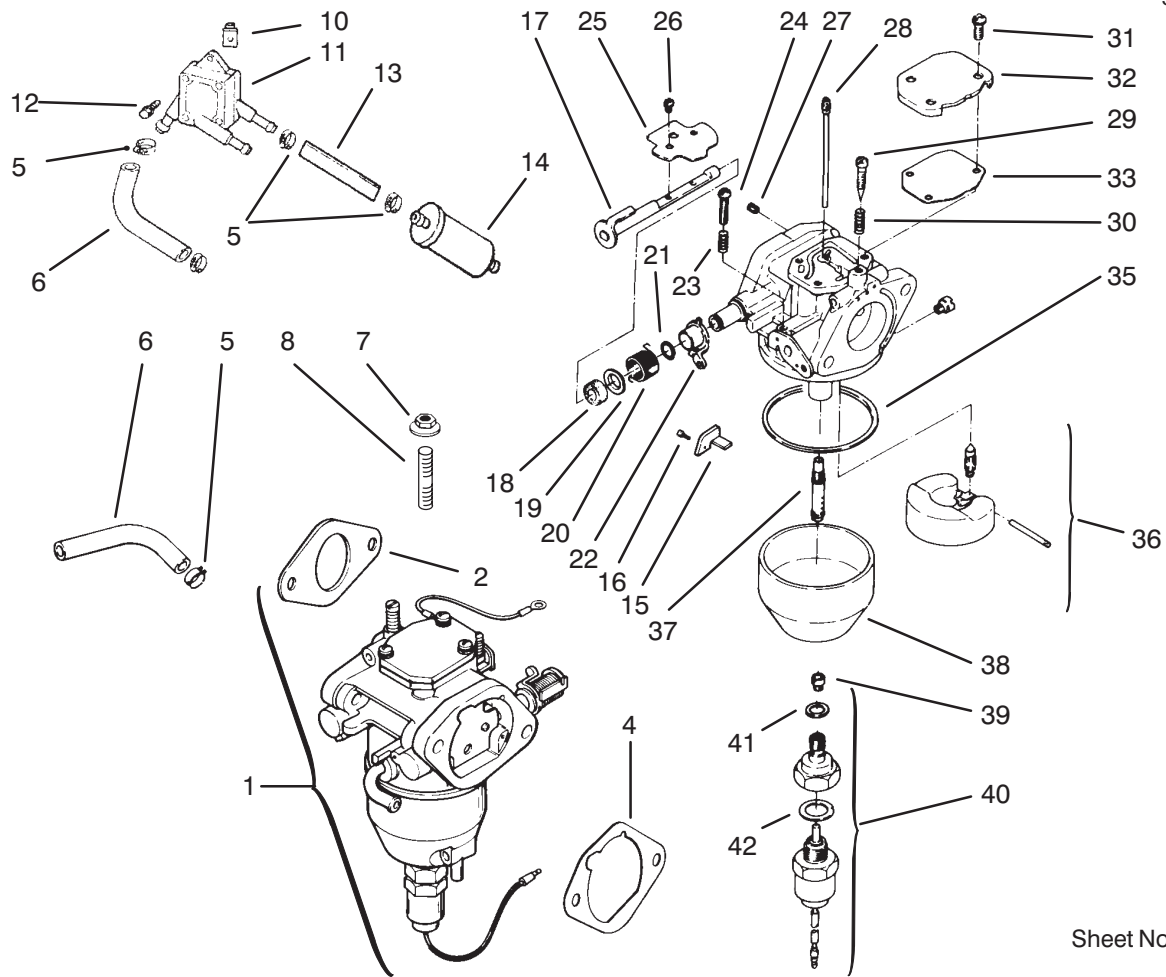
Sheet No.: 206
C-1964

Group 6—Blower Housing Assembly Kohler Model No. CV20S-65531 and CV20S-65532

Ref. No.	Part No.	Qty.	Description
1	24 027 20	1	Housing—Blower ASM
2	M-0549016	3	Screw M5x0.8x16
3	Sm-0645016	4	Screw M6x1.0x16
4	24 314 05	1	Guard—Flywheel
5	24 146 02	1	Plate—Backing #2 Side
6	M-0545020	2	Screw M5x0.8x20
7	M-0551016	1	Screw M5x0.8x14
8	24 063 20	1	Baffle—Cylinder #2 Side
9	24 063 15	1	Baffle—Valley #1 Side
10	M-0549010	2	Screw M5x0.8x10
11	24 063 14	1	Baffle—Valley #2 Side
12	M-0549016	2	Screw M5x0.8x16
13	24 063 06	1	Baffle—Cylinder #1 Side
14	M-0649016	2	Screw M6x1.0x16
15	24 146 14	1	Plate—Backing #1 Side
16	24 100 01	4	Nut—Plastic
17	47 154 01	1	Clip—Cable
18	24 086 12	1	Screw—Cable Clip
*	24 100 02	2	Nut INC W/Blower

Ref. No.	Part No.	Qty.	Description
			Hsng
*	24 113 10	1	Decal—Horsepower
*	244 113 01	1	Decal—Horsepower
*	25 139 16	1	Plug INC W/Blower Hsng

* Not illustrated
Obtain parts from Kohler



Sheet No.: 208

Group 8—Fuel System Assembly Kohler Model No. CV20S—65531 and CV20S—65532

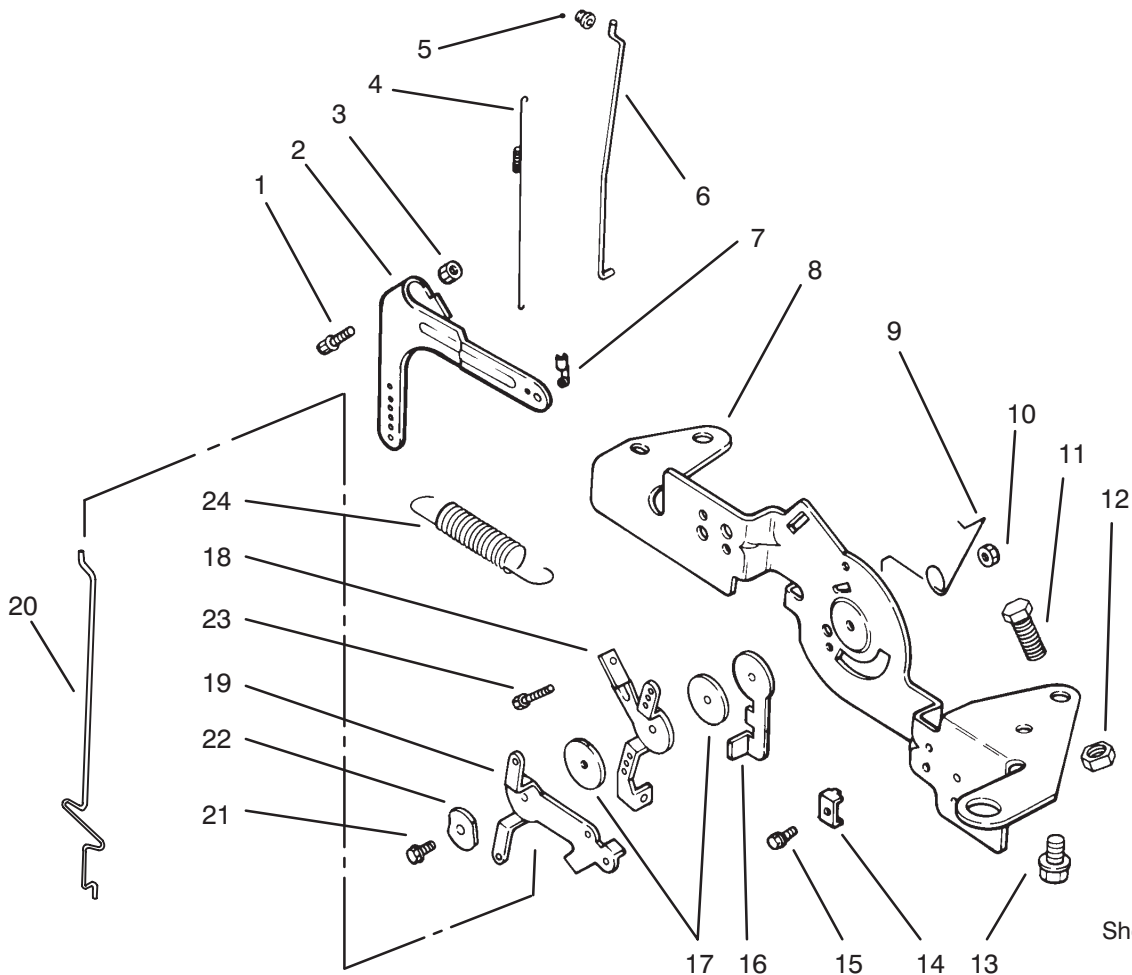
Ref. No.	Part No.	Qty.	Description
1	24 853 19	1	Kit—Carb INC 2/4/15-42
†2	24 041 15	1	Gasket—Carburetor
†4	24 041 14	1	Gasket—A/C Base
5	X-426-9	6	Clamp—Hose
6	24 353 03	2	Line—Fuel 10 1/2"
7	Sm-0641060	2	Nut M6x1.0
8	M-0629095	2	Stud M6x1.0x95
10	24 100 01	2	Nut—Plastic
11	24 393 04	1	Pump—Fuel
12	24 086 12	2	Screw—Cable Clip
13	25 353 15	1	Line—Fuel 3 1/2"
14	25 050 02	1	Filter—Fuel
†15	24 126 29	1	Bracket—Throttle Stop
†16	M-0259006	1	Screw M2.5x45x5.5
†17	24 144 15	1	Shaft—Choke
†18	24 468 05	1	Washer
†19	24 241 01	1	Collar—Choke
†20	24 089 22	1	Spring—Choke Return
†21	24 141 04	1	Ring—Choke Lever
†22	24 090 10	1	Lever—Choke
†23	24 089 24	1	Spring—Throttle Screw

Ref. No.	Part No.	Qty.	Description
†24	24 086 19	1	Screw—Throttle Adjust
†25	24 462 02	1	Valve—Choke
†26	24 086 20	4	Screw—Throttle Shaft
†27	24 337 27	1	Jet—Air Bleed
†28	24 337 11	1	Jet—Slow
†29	24 086 22	1	Screw—Idle Adjust
†30	24 089 23	1	Spring—Idle Adjust Screw
†31	24 086 21	3	Screw
†32	24 096 13	1	Cover—Passage
†33	24 041 18	1	Gasket—Passage Cover
†35	24 041 19	1	Gasket—Float Chamber
†36	24 757 05	1	Kit—Float Repair
†37	24 369 01	1	Nozzle—Main
†38	24 234 01	1	Chamber—Float
†39	24 337 20	1	Jet—Main
†40	24 755 15	1	Kit—Solenoid INC 41-42
†41	24 041 21	1	Gasket—Chamber Screw

† Included in a service kit or in an assembly

* Not illustrated

Obtain parts from Kohler



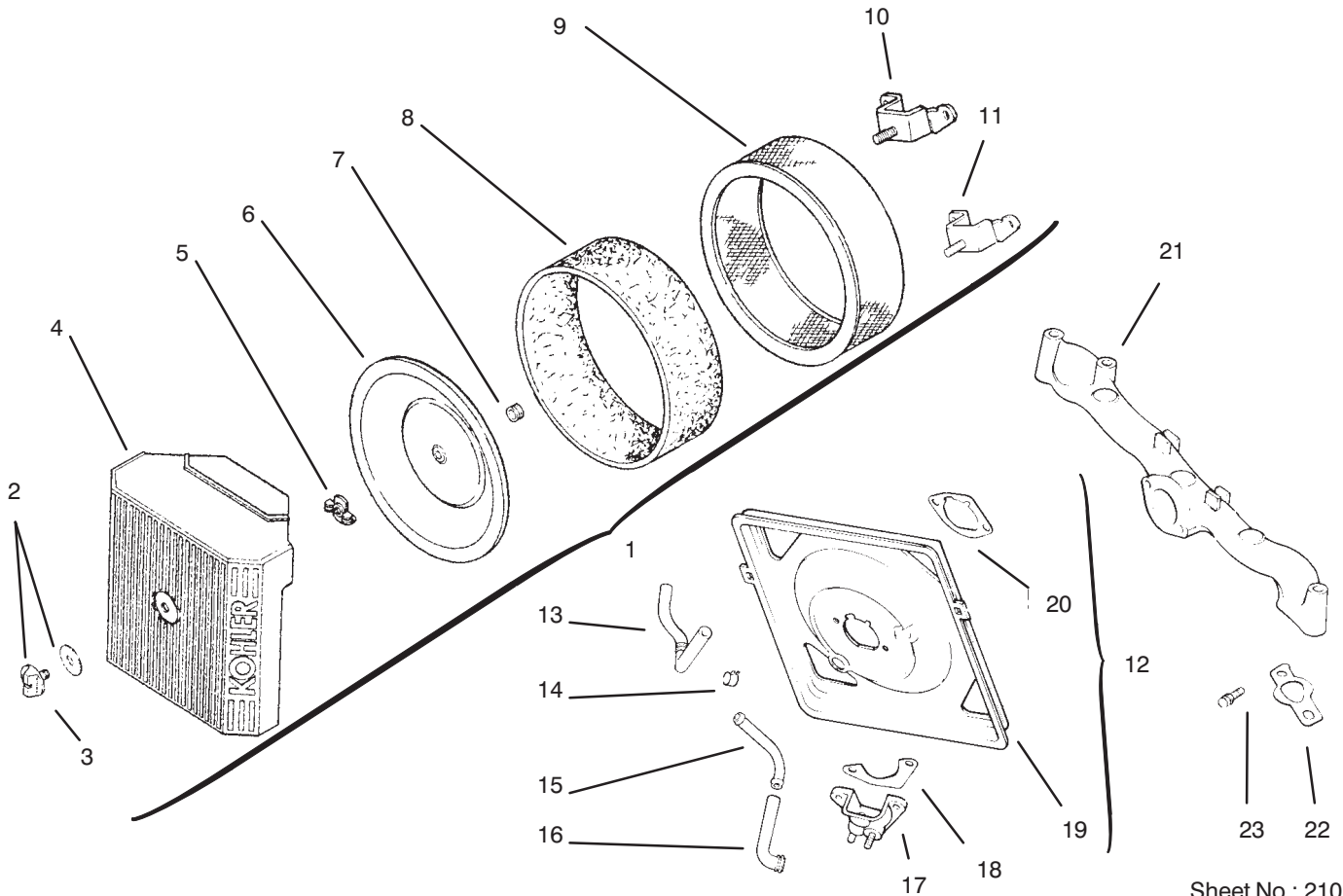
Sheet No.: 209
C-1967

Group 9—Engine Control Assembly Kohler Model No. CV20S-65531 and CV20S-65532

Ref. No.	Part No.	Qty.	Description
1	Sm-0642025	1	Screw M6x1.0x25
2	24 090 11	1	Lever-Governor
3	Sm-0641060	1	Nut M6x1.0
4	24 089 01	1	Spring-Linkage
5	25 158 08	1	Bushing-Linkage
6	24 079 04	1	Linkage-Throttle
7	25 158 11	1	Bushing-Linkage
8	24 126 13	1	Bracket-Control
9	24 089 03	1	Spring-Choke Return
10	M-0547o50	1	Nut M5x0.8
11	Sm-0545016	1	Screw M5x0.8x16
12	M-0446030	1	Nut-Hex M4x0.7
13	Sm-0645016	4	Screw M6x1.0x16
14	12 237 01	2	Clamp-Cable
15	Sm-0545016	2	Screw M5x0.8x16
16	24 090 07	1	Lever-Throttle Actuator
17	24 468 01	3	Washer
18	24 090 03	1	Lever-Throttle Control
19	24 090 05	1	Lever-Choke
20	24 079 05	1	Linkage-Choke
21	M-0545020	1	Screw M5x0.8x20

Ref. No.	Part No.	Qty.	Description
22	41 468 03	1	Washer-Wave
23	M-0401025	1	Screw M4x0.7x24
24	24 089 18	1	Spring-Governor

Obtain parts from Kohler



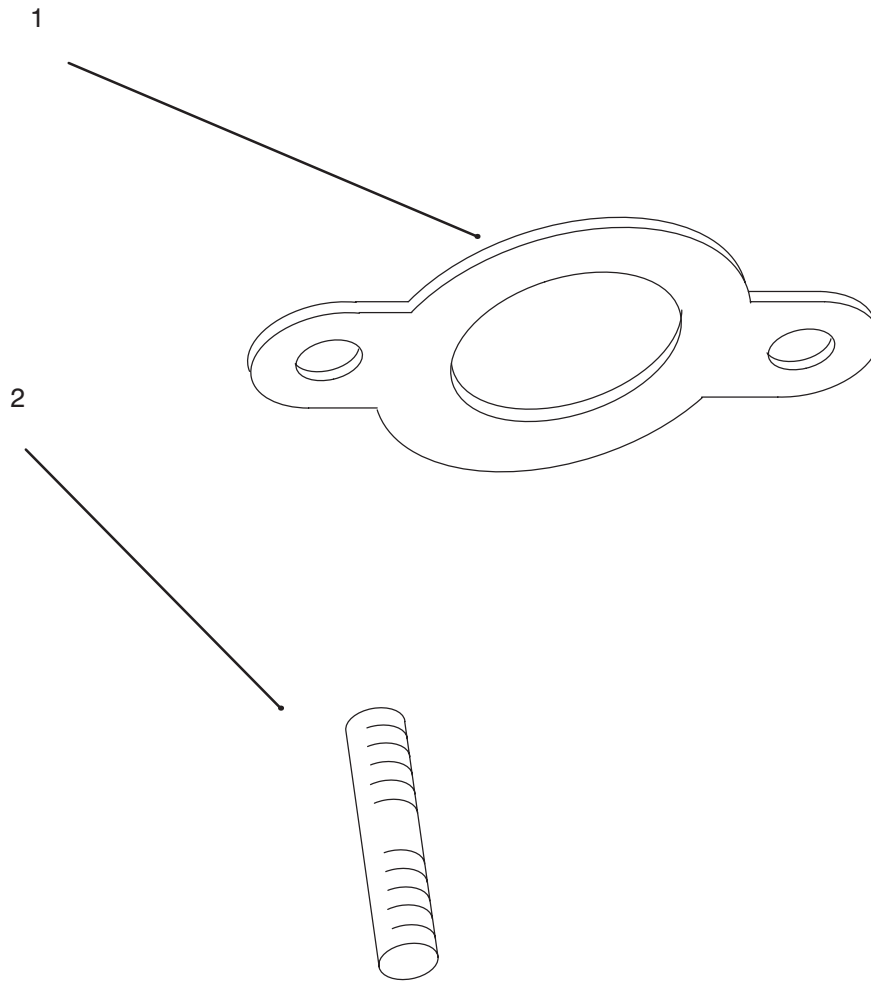
Sheet No.: 210

Group 10—Air Intake/Filtration Assembly Kohler Model No. CV20S-65531 and CV20S-65532

Ref. No.	Part No.	Qty.	Description
1	24 743 05	1	Kit—Air Cleaner Cover
2	24 755 91	1	Kit—Knob W/Gasket
3	25 341 02	1	Knob—Cover
4	24 096 24	1	Cover—Air Cleaner
5	12 100 01	1	Nut—Wing
6	24 096 01	1	Cover—Inner Air Cleaner
7	24 032 03	1	Seal—Air Intake
8	24 083 02	1	Element—Precleaner
9	47 083 03	1	Element—Air Cleaner
10	24 126 21	1	Bracket—Air Cleaner Base
11	24 126 43	1	Bracket—Air Cleaner
12	24 755 86	1	Kit—Air Cleaner Base
13	24 326 13	1	Hose—Breather
14	X-426-9	2	Clamp—Hose
15	24 294 06	1	Fitting
16	24 326 14	1	Hose—Breather
17	24 109 06	1	Cup—Fuel Spitback
18	24 041 13	1	Gasket—Fuel Spitback Cup
19	24 094 14	1	Base—Air Cleaner

Ref. No.	Part No.	Qty.	Description
20	24 041 14	1	Gasket—A/C Base
21	24 164 06	1	Manifold—Intake
22	24 041 01	2	Gasket—Intake Manifold
23	M-0651055	4	Screw

Obtain parts from Kohler



Sheet No.: 211

C-1969

**Group 11—Exhaust Assembly
Kohler Model No. CV20S—65531 and CV20S—65532**

Ref. No.	Part No.	Qty.	Description
1	24 041 02	2	Gasket—Exhaust
2	M-0829033	4	Stud M8x1.25x20

Ref. No.	Part No.	Qty.	Description

Obtain parts from Kohler

