



520xi

Wheel Horse[®] Garden Tractor

Model No. 73542—230000001 and Up

Parts Catalog

Ordering Replacement Parts

To order replacement parts, please supply: the part number, the quantity, and the description of each part desired.

Understanding Reference Numbers

Each identified part in an illustration has a reference number. The reference number for a part also appears in the parts list, along with other information about the part.

This catalog uses two special reference number formats, one to indicate parts in a service assembly and another to indicate the quantity of a given part in an illustration.

Service Assembly Reference Numbers

Parts in service assemblies have reference numbers in the form **a:b**. The **a** represents the reference number of the entire service assembly and the **b** represents a sequential number unique to each part within the service assembly.

For example, a wheel assembly might be identified by reference number **6**, the tire by **6:1**, the valve by **6:2**, and the wheel by **6:3**. When you order the assembly identified by reference number **6**, you receive all parts identified by reference numbers **6:1**, **6:2**, and **6:3**. However, you may also order any part individually.

Reference numbers of this type appear in illustrations and in part lists.

Reference Numbers Indicating Quantity

In an illustration, if a reference number indicates more than one part, the reference number has the form **nX y**. The **n** represents the quantity of the part, the **X** is the multiplication symbol, and the **y** represents the reference number.

For example, in an illustration, the reference number **2X 37** means that two of the parts identified by reference number **37** are indicated.

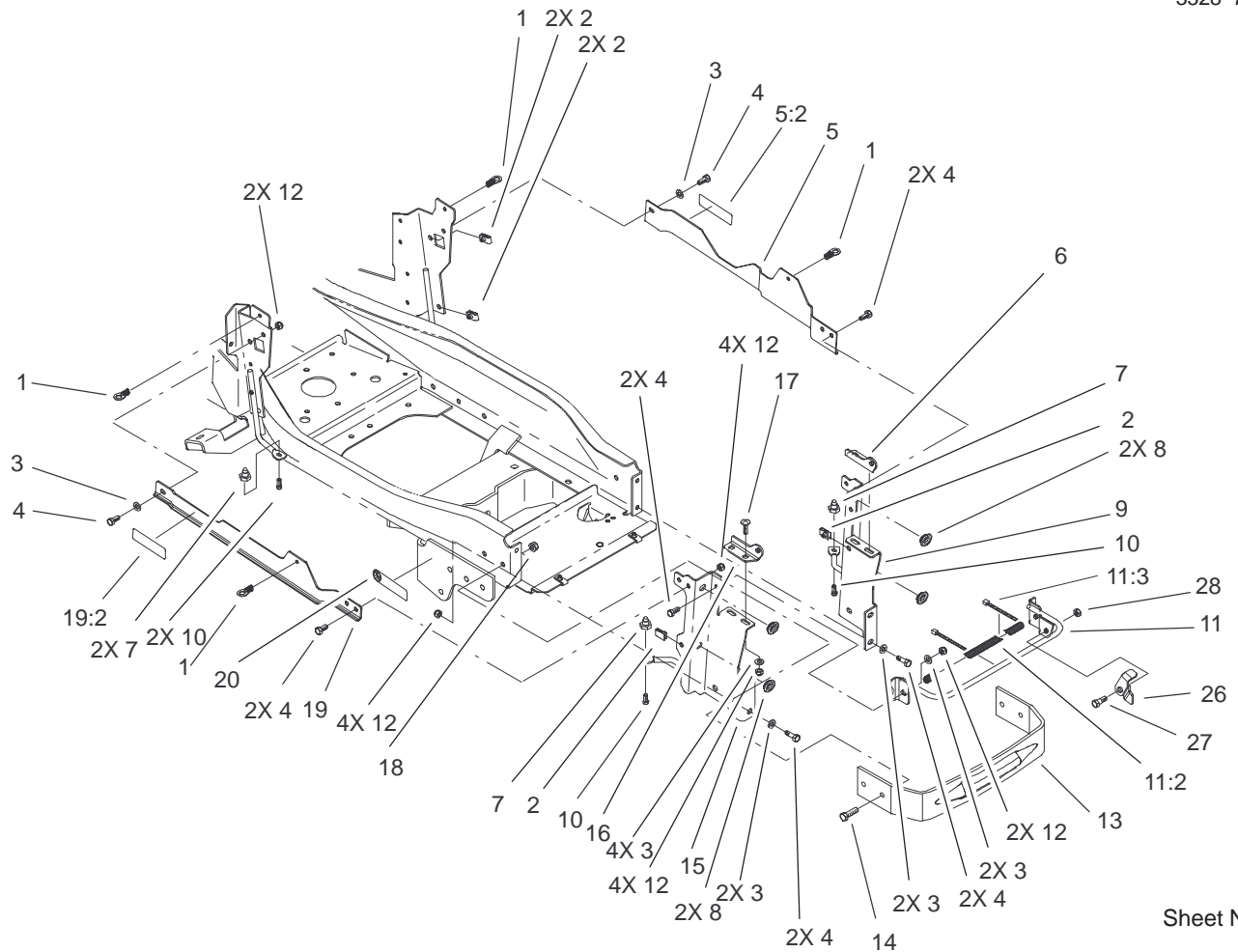
Contents

Description	Page	Description	Page
Bumper and Hood Support Assembly	3	Hydro Control Assembly	23
Steering Tower and Fuel Tank Support Assembly	4	Smart Turn Front Assembly	24
Attach-A-Matic and Hitch Assembly	5	Parking Brake Lower Assembly	25
Manual Steering Lower Assembly	6	Cruise Control Assembly	26
Manual Steering and Tilt Assembly	7	Fender and Fuel System Assembly	27
Tie Rod, Spindle and Front Axle Assembly	8	Wheel Assembly	28
Hydro Transaxle Assembly	9	Air Cooled Engine Assembly	29
Hydro Transaxle Assembly (continued)	10	Electrical Assembly	30
Hydro Transmission No. 94-2003	11	Wiring Diagram 20HP	31
Hydro Transmission No. 94-2003	12	Wiring Schematic 20HP	32
Drive Shaft Assembly	13	Group 1 – Crankshaft Assembly	33
Hydro Lift Lower Assembly	14	Group 2 – Crankcase Assembly	34
Hydro Lift Upper Assembly	15	Group 3 – Oil Pan/Lubrication Assembly	35
Hood and Headlight Assembly	16	Group 4 – Head/Valve/Breather Assembly	36
Grill and Side Panel Assembly	17	Group 5 – Ignition/Electrical Assembly	37
Dash Assembly	18	Group 6 – Blower Housing Assembly	38
Fender, Footrest and Seat Assembly	19	Group 7 – Starter Assembly	39
Smart Turn Rear Assembly	20	Group 8 – Fuel System Assembly	40
Hi-Lo Shift Assembly	21	Group 9 – Engine Control Assembly	41
Parking Brake Upper Assembly	22	Group 10 – Air Intake/Filtration Assembly	42
		Group 11 – Exhaust Assembly	43

Part Description Abbreviations

Part descriptions in this catalog may include the following abbreviations.

Abbreviation	Meaning	Abbreviation	Meaning
AR	as required	HYD	hydraulic
ASM	assembly	INC	incorporated
CARR	carriage	LH	left hand
DEG	degrees	NI	nylon insert
FH	flat head	PPH	Phillips pan head
GA	gauge	PTH	Phillips truss head
HF	hex flange	PTO	power take off
HH	hex head	RH	right hand
HHF	hex head flange	SFH	slotted fillister head
HLH	hex lag head	SHH	slotted hex head
HJ	hex jam	SQH	square head
HOC	height-of-cut	SHWH	slotted hex washer head
HS	hex socket	SPH	slotted pan head
HSBH	hex socket button head	SRH	slotted round head
HSFH	hex socket flat head	STD	standard
HSH	hex socket head	TAP	self tapping
HWH	hex washer head	TTH	Torx truss head
HWHTF	hex washer head thread forming	WH	wing head

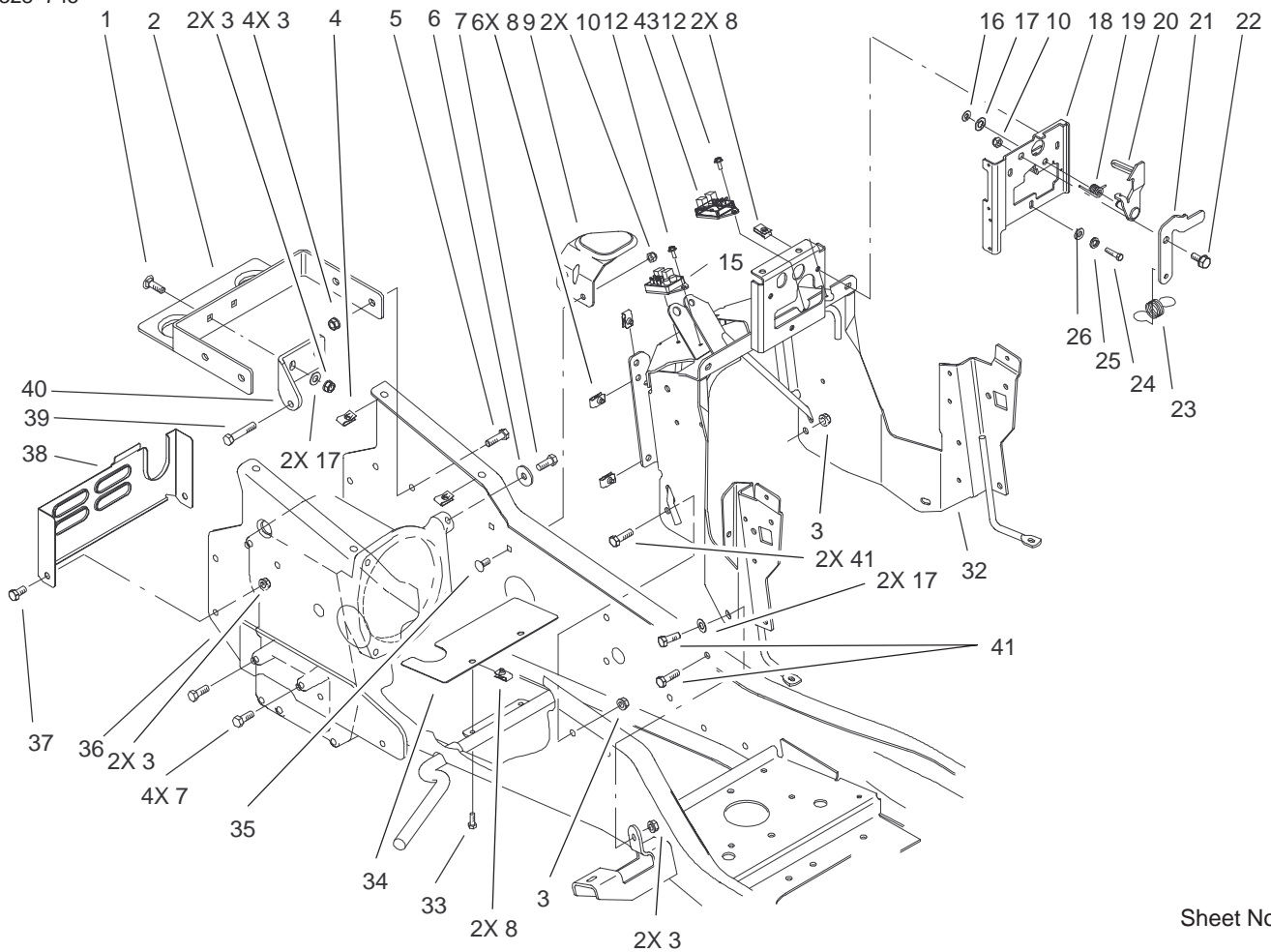


Sheet No.:3

Bumper and Hood Support Assembly

Ref. No.	Part No.	Qty.	Description
1	95-4013	4	Latch ASM
2	107069	6	Clip
3	3256-23	12	Washer-Flat
4	322-3	12	Screw-HH
5	98-5064	1	Support ASM
5:2	98-5014	1	Decal - Warning
6	98-9026-03	1	Bracket-Hinge, Lower LH
7	95-3989	4	Mount-Sidepanel
8	94-7910	4	Grommet
9	95-4082-03	1	Support-Hood LH
10	46-8093	4	Screw-Plastite
11	99-5305	1	Support-Hood ASM
11:2	95-4258	1	Cover - Brace
11:3	614249	2	Strap-Tie
12	3296-29	16	Nut-Lock, NI
13	94-2308-03	1	Bumper - Frame
14	323-7	4	Screw-HH
15	95-4081-03	1	Support-Hood RH
16	98-9027-03	1	Bracket-Hinge, Lower RH
17	3230-16	4	Screw-CARR
18	3296-39	4	Nut-Lock, NI
19	99-5345	1	Support ASM
19:2	98-5014	1	Decal - Warning

Ref. No.	Part No.	Qty.	Description
20	92-8747	2	Decal-Attach-A-Mat ic
26	98-9015	1	Lever - Hood Prop
27	37-8771	1	Bolt-Shoulder
28	3296-47	1	Nut-Lock, NI

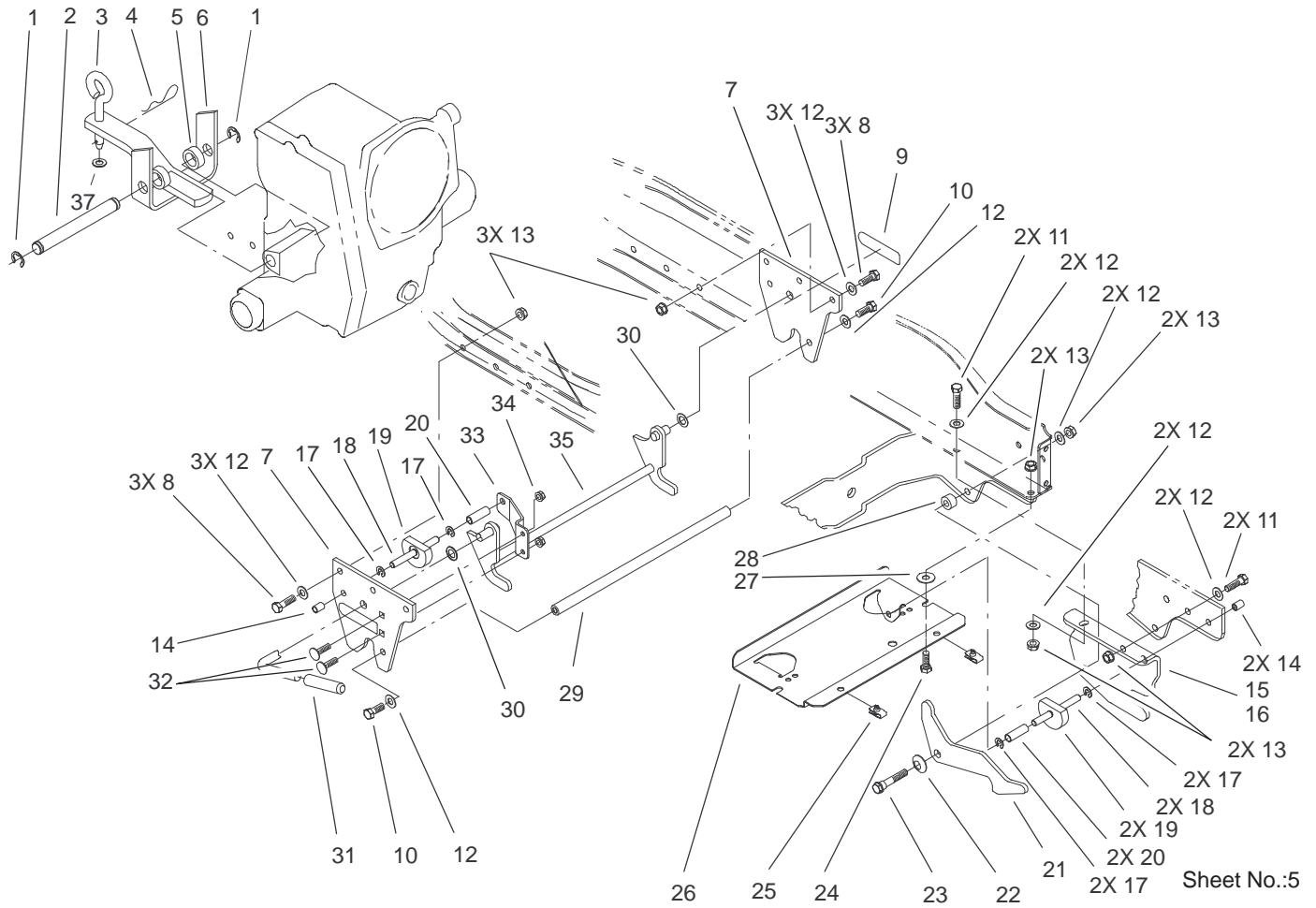


Sheet No.:4

Steering Tower and Fuel Tank Support Assembly

Ref. No.	Part No.	Qty.	Description
1	3231-25	2	Screw-CARR
2	94-7740-03	1	Support-Gas Tank
3	3296-39	12	Nut-Lock, NI
4	94-2413	4	U-Nut
5	323-7	4	Screw-HH
6	2844	1	Washer
7	3235-22	5	Screw-HH Lock
8	107069	10	Clip
9	95-3961-03	1	Support - Fuel Tank
10	3296-29	3	Nut-Lock, NI
12	32144-112	2	Screw-HWHTF
15	99-3703	1	Module-Cruise
16	105797	1	Ring-Retaining
17	3256-24	5	Washer-Flat
18	95-3892-03	1	Bracket - Latch
19	95-4165	1	Spring - Latch Lever
20	95-3899	1	Lever-Latch
21	95-3900	1	Latch - Tension Lever
22	37-8771	1	Bolt-Shoulder
23	95-3895	1	Spring - Latch Lever
24	321-4	3	Screw-HH
25	3253-3	3	Washer-Lock
26	3256-22	3	Washer-Flat
32	99-4441-03	1	Tower ASM
33	321-4	2	Screw-HH
34	95-4246	1	Baffle - Fan

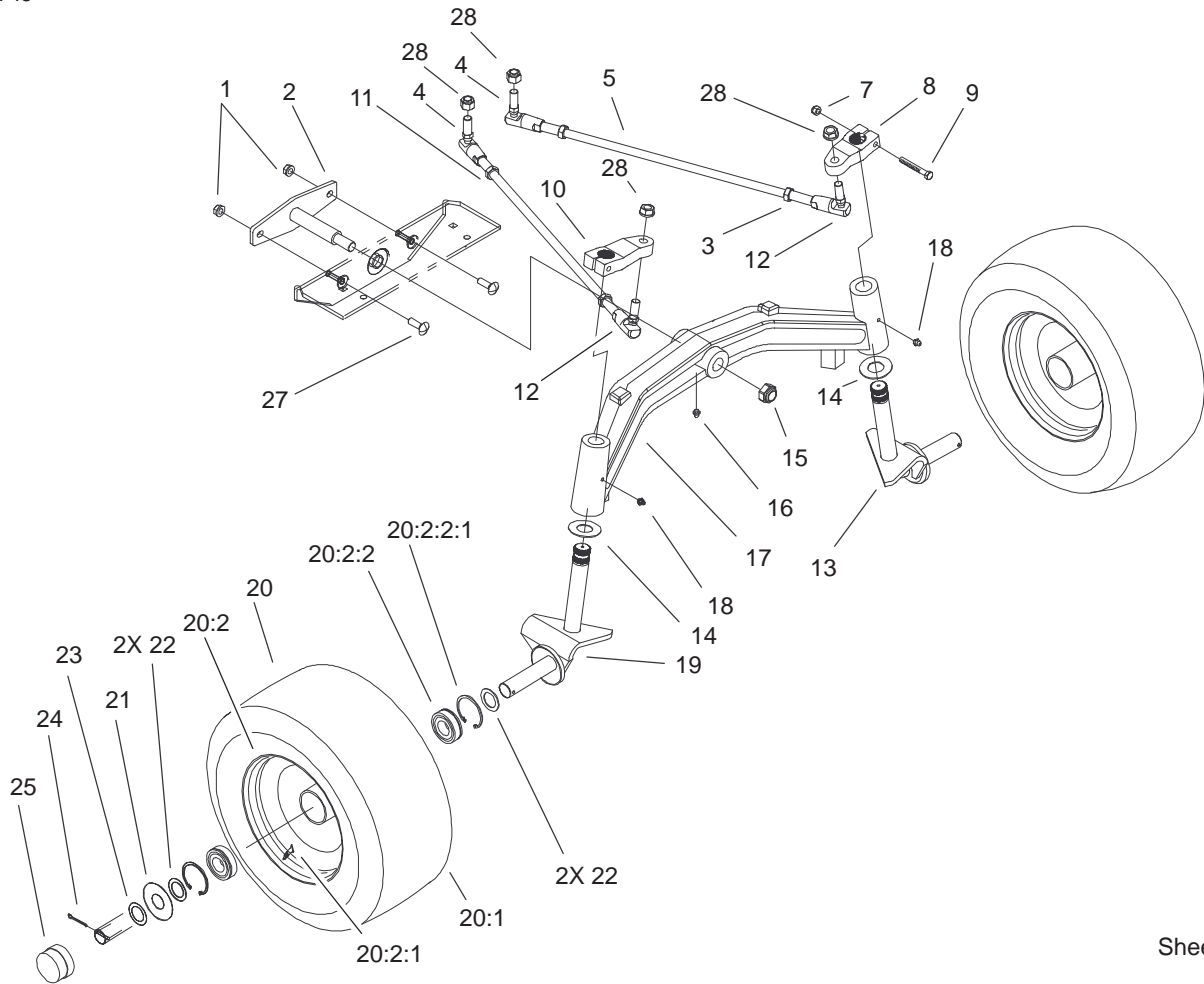
Ref. No.	Part No.	Qty.	Description
35	3230-20	2	Screw-CARR
36	99-5306-03	1	Frame
37	323-4	2	Screw-HH
38	95-4005-03	1	Cover - Rear
39	94-7972	1	Screw - HH
40	94-7739-03	1	Strap-Torque
41	323-6	4	Screw-HH
43	99-3701	1	Module-Clutch



Attach-A-Matic and Hitch Assembly

Ref. No.	Part No.	Qty.	Description
1	5618	2	E-Ring
2	105269	1	Pin-Stationary Hitch
3	106634	1	Pin-Tool
4	9335054	1	Pin-Hair
5	9791204	2	Spacer
6	98-8083-03	1	Hitch
7	94-2251-03	2	Plate - Hitch
8	323-44	6	Screw-HH
9	98-1632	2	Decal - Attach-A-Matic
10	3235-22	2	Screw-HH Lock
11	323-7	4	Screw-HH
12	3256-24	16	Washer-Flat
13	3296-39	14	Nut-Lock, NI
14	105316	3	Cap-Plunger Rod
15	94-2230-03	1	Hanger-RH
16	94-2231-03	1	Hanger - LH
17	105797	6	Ring-Retaining
18	94-2256	3	Rod - Lock
19	94-2258	3	Lock - Latch
20	8616	3	Spring
21	94-7777	2	Latch-Pulley Box
22	3290-221	2	Washer-Spring
23	92-7674	2	Bolt
24	323-6	2	Screw-HH
25	107069	2	Clip

Ref. No.	Part No.	Qty.	Description
26	94-2304-03	1	Tray - Battery
27	3-4685	2	Washer-Top Thrust
28	94-2233	2	Spacer
29	94-2475	1	Rod - Spacer
30	98-1629	2	Washer
31	9038	1	Grip
32	3230-2	2	Bolt-CARR
33	94-7855-03	1	Bracket-Mid Arm
34	3296-29	2	Nut-Lock, NI
35	94-2250-03	1	Latch
37	3256-26	1	Washer-Flat



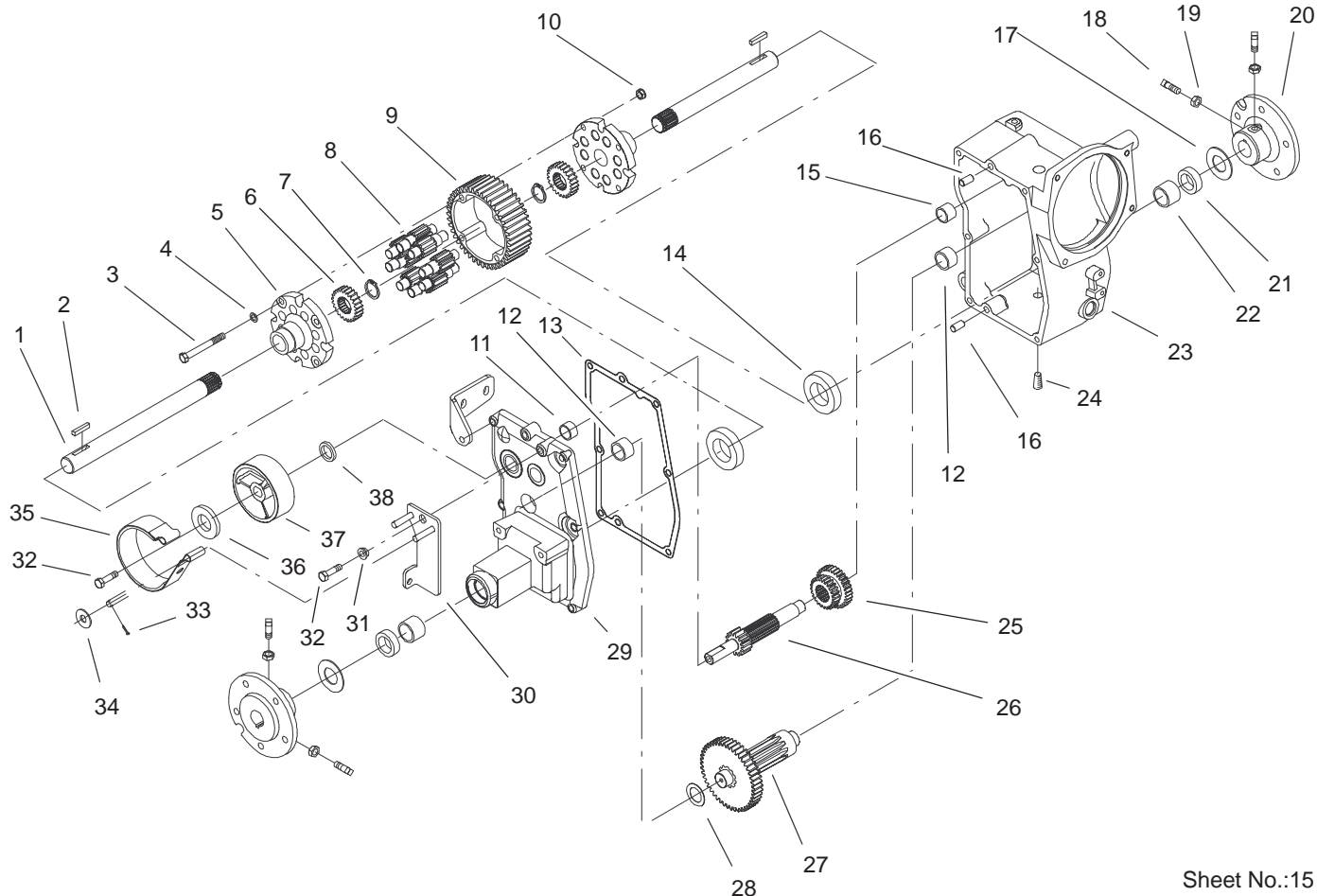
Sheet No.:14

Tie Rod, Spindle and Front Axle Assembly

Ref. No.	Part No.	Qty.	Description
1	3296-39	2	Nut-Lock, NI
2	94-2205-03	1	Pin-Pivot
3	3220-5	2	Nut-Jam
4	94-7539	2	Balljoint - LH Thread
5	100-1121	2	Rod-Tie
7	3296-29	2	Nut-Lock, NI
8	94-2197	1	Arm - Steering LH
9	322-32	2	Screw-HH
10	94-2196	1	Arm - Steering RH
11	3220-12	2	Nut-HJ, LH Thread
12	98-8086	2	Balljoint - RH Thread
13	94-7537-03	1	Spindle-LH
14	9548	2	Washer-Thrust
15	3296-61	1	Nut-Lock
16	302-5	1	Fitting-Grease
17	94-7568-03	1	Axle-Front
18	302-5	2	Fitting-Grease
19	94-7536-03	1	Spindle-RH
20	99-3695	2	Wheel & Tire ASM
20:1	99-3696	1	Tire
20:2	94-7541	1	Rim ASM
20:2:1	5108	1	Valve
20:2:2	94-7538	2	Bearing
20:2:2:1	94-2053	1	Ring-Snap
*	112819	1	Tube-Inner
21	95-4060	2	Washer - Wheel

Ref. No.	Part No.	Qty.	Description
22	9202514	4	Washer
23	9202524	2	Washer
24	3272-18	2	Pin-Cotter
25	94-7871	2	Cap-Dust
27	3231-25	2	Screw-CARR
28	98-8089	4	Nut-Lock

* Not illustrated

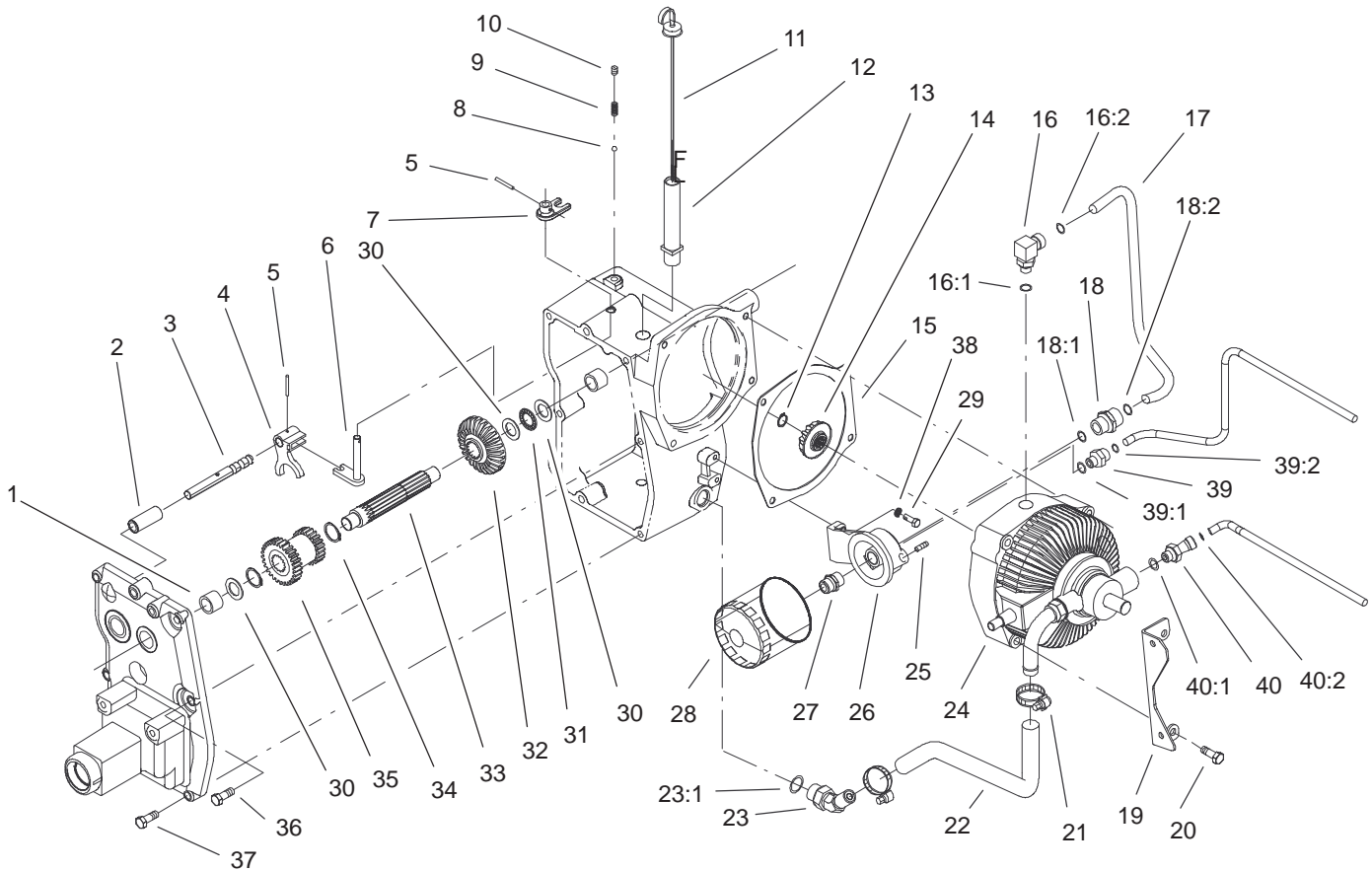


Sheet No.:15

Hydro Transaxle Assembly

Ref. No.	Part No.	Qty.	Description
1	79-3340	2	Axle-Rear
2	79-3370	2	Key
3	911423	4	Bolt-Hex
4	107374	4	Washer
5	111196	2	End Cap-Differential
6	101889	2	Gear-Axle Differential
7	105876	2	Ring-Snap
8	101623	8	Gear-Pinion 11t
9	105061	1	Gear-Differential Ring 43t
10	108881	4	Nut
11	1540	1	Bearing-Needle
12	94-2021	2	Bearing - Needle
13	99-5334	1	Gasket-Case
14	111199	2	Bearing-Ball
15	1529	1	Bearing-Needle
16	108363	2	Pin-Locating
17	106826	2	Washer-Thrust
18	3243-5	4	Screw-Set
19	3218-3	4	Nut-Jam
20	105763-03	2	Hub-Wheel
21	6449	2	Seal-Oil
22	9416	2	Bearing
23	94-2001-03	1	Case-LH, Trans
24	99-8551	1	Plug-Pipe
25	94-2008	1	Gear - Sliding

Ref. No.	Part No.	Qty.	Description
26	94-2007	1	Shaft - Brake
27	94-2006	1	Gear ASM
28	9547	1	Washer-Thrust
29	94-2002-03	1	Case-RH, Trans
30	94-2019-03	1	Arm-Brake Pivot
31	100309	1	Cam-Spacer
32	3235-22	2	Screw-HH Lock
33	3272-6	2	Pin-Cotter
34	3256-24	2	Washer-Flat
35	94-2419	1	Band - Brake
36	2844	1	Washer
37	94-2009	1	Drum - Brake
38	253-44	1	Seal-Oil



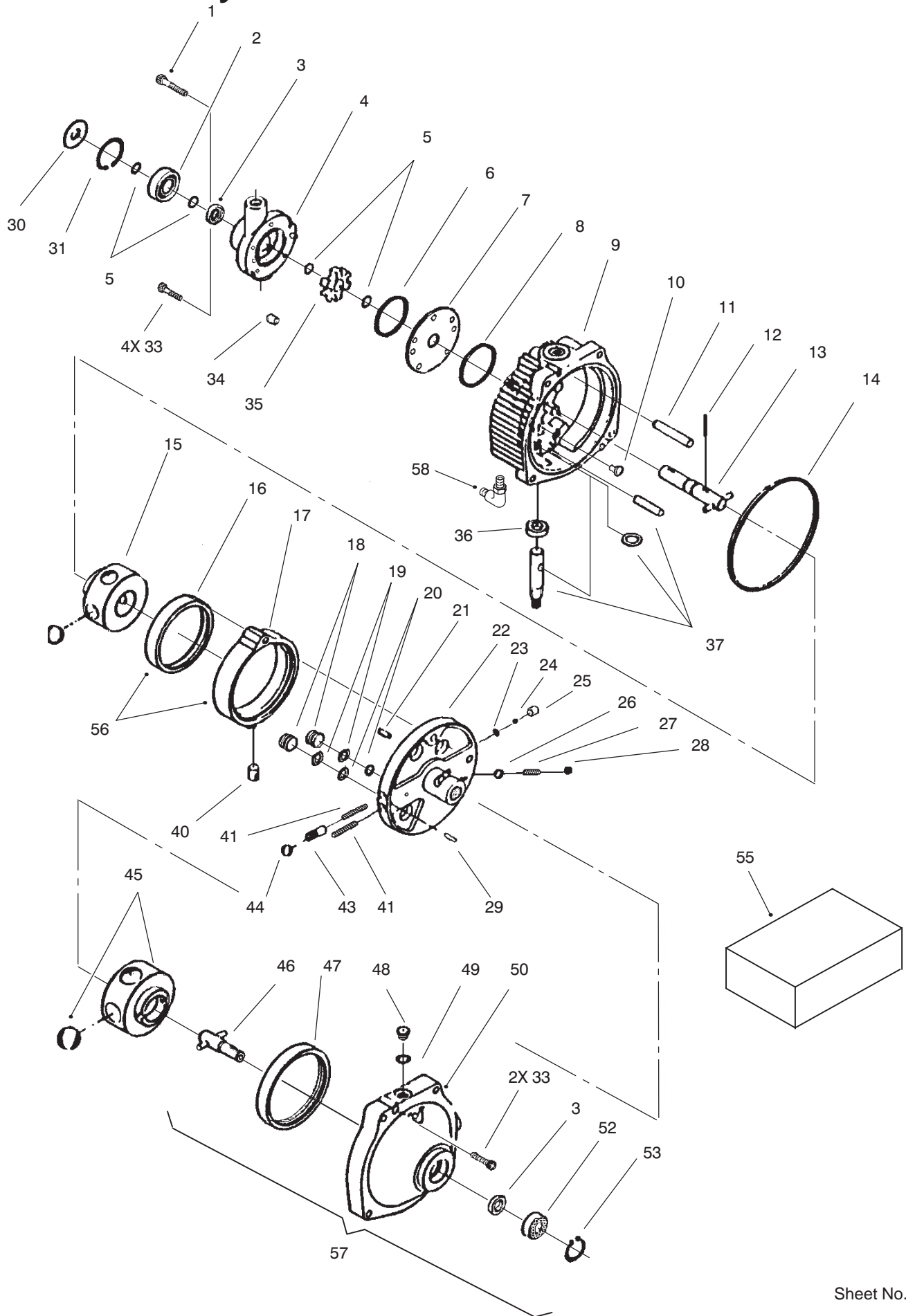
Sheet No.:16

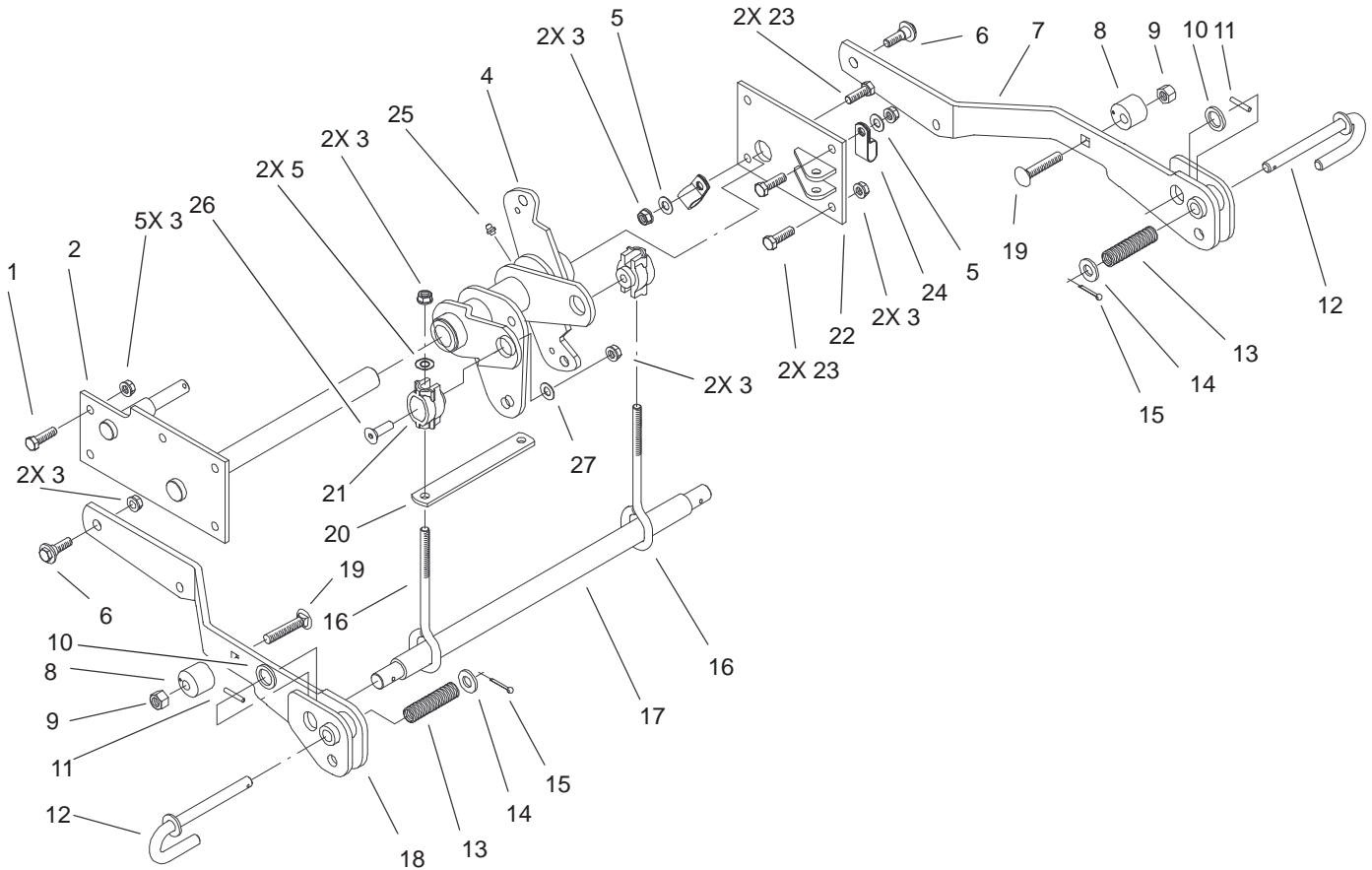
Hydro Transaxle Assembly (continued)

Ref. No.	Part No.	Qty.	Description
1	1529	2	Bearing-Needle
2	94-2014	1	Tube - Shifter Rail
3	94-2054	1	Rail - Shift
4	94-2015	1	Fork - Hi/Lo Shift
5	933154	2	Pin-Roll
6	94-2143	1	Arm-Shifter
7	94-7510	1	Shift - Hi/Lo
8	3517	1	Ball-Detent
9	94-2024	1	Spring - Shift Detent
10	3247-2	1	Screw-Set, HS
11	94-7680-03	1	Dipstick
12	94-7559	1	Tube - Dipstick
13	32120-64	1	Ring-Snap, External
14	94-7565	1	Pinion - Bevel
15	702062	1	Gasket-Trans
16	94-7693	1	Fitting 90°
16:1	237-42	1	O-Ring
16:2	237-30	1	O-Ring
17	94-7969	1	Tube - Hydraulic
18	94-7694	1	Fitting-Straight
18:1	237-42	1	O-Ring
18:2	237-30	1	O-Ring
19	94-2148-03	1	Plate-Support Bracket
20	323-13	4	Screw-HH
21	2412-141	2	Clamp-Drive, Worm
22	95-4133	1	Hose - Suction

Ref. No.	Part No.	Qty.	Description
23	94-7692	1	Fitting - Hose
23:1	237-80	1	O-Ring
24	94-2003	1	Transmission - Hydro
25	99-8551	1	Plug-Pipe
26	108323	1	Base-Filter
27	5991	1	Fitting
28	98-3596	1	Ass'y-Oil Filter
29	321-5	2	Screw-HH
30	1535	3	Washer-Thrust
31	8571	1	Bearing-Thrust
32	94-7566	1	Gear - Bevel
33	94-2010	1	Shaft - Input
34	32151-29	2	Ring-Retaining
35	94-2011	1	Gear - Hi/Lo
36	323-9	3	Screw-HH
37	323-8	2	Screw-HH
38	3253-3	2	Washer-Lock
39	95-4138	1	Fitting-HYD. Straight
39:1	237-22	1	O-Ring
39:2	237-42	1	O-Ring
40	95-4135	1	Fitting - Hydraulic 45
40:1	237-42	1	O-Ring
40:2	237-22	1	O-Ring

Hydro Transmission No. 94-2003



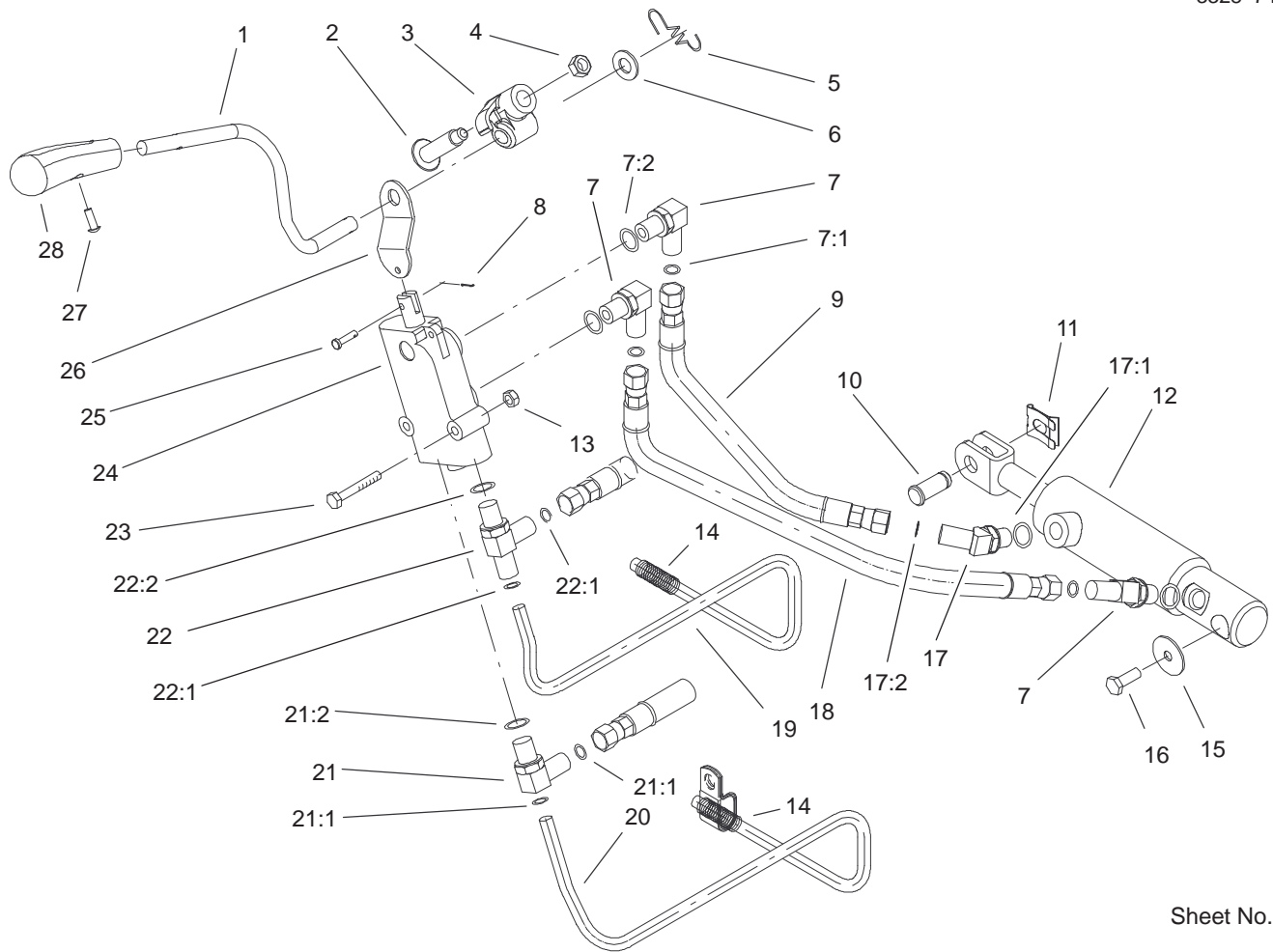


Sheet No.:18

Hydro Lift Lower Assembly

Ref. No.	Part No.	Qty.	Description
1	323-7	5	Screw-HH
2	94-2263-03	1	Support-Deck Lift
3	3296-39	15	Nut-Lock, NI
4	99-4430	1	Bellcrank And Bushing ASM
5	3256-24	4	Washer-Flat
6	614672	2	Bolt-Shoulder
7	94-2279-03	1	Arm-Lift LH
8	94-2411	2	Stop - Lift Adj
9	3296-48	2	Nut-Lock, NI
10	3256-28	2	Washer-Flat
11	32121-79	2	Pin-Roll
12	94-2301	2	Pin - J
13	95-4256	2	Spring-Compression
14	3256-26	2	Washer-Flat
15	3272-10	2	Pin-Cotter
16	104-5079	2	Rod-Lift
17	94-2277-03	1	Bar - Lift
18	94-2278-03	1	Arm-Lift RH
19	3232-5	2	Screw-CARR
20	94-7600-03	1	Spacer-Strap
21	99-2344	2	Sleeve-Lift
22	94-7578-03	1	Plate - LH Support
23	323-18	4	Screw-HH
24	98-1617	1	Clamp-Tube
25	302-5	1	Fitting-Grease

Ref. No.	Part No.	Qty.	Description
26	99-8051	2	Screw
27	99-6496	2	Washer-Flat

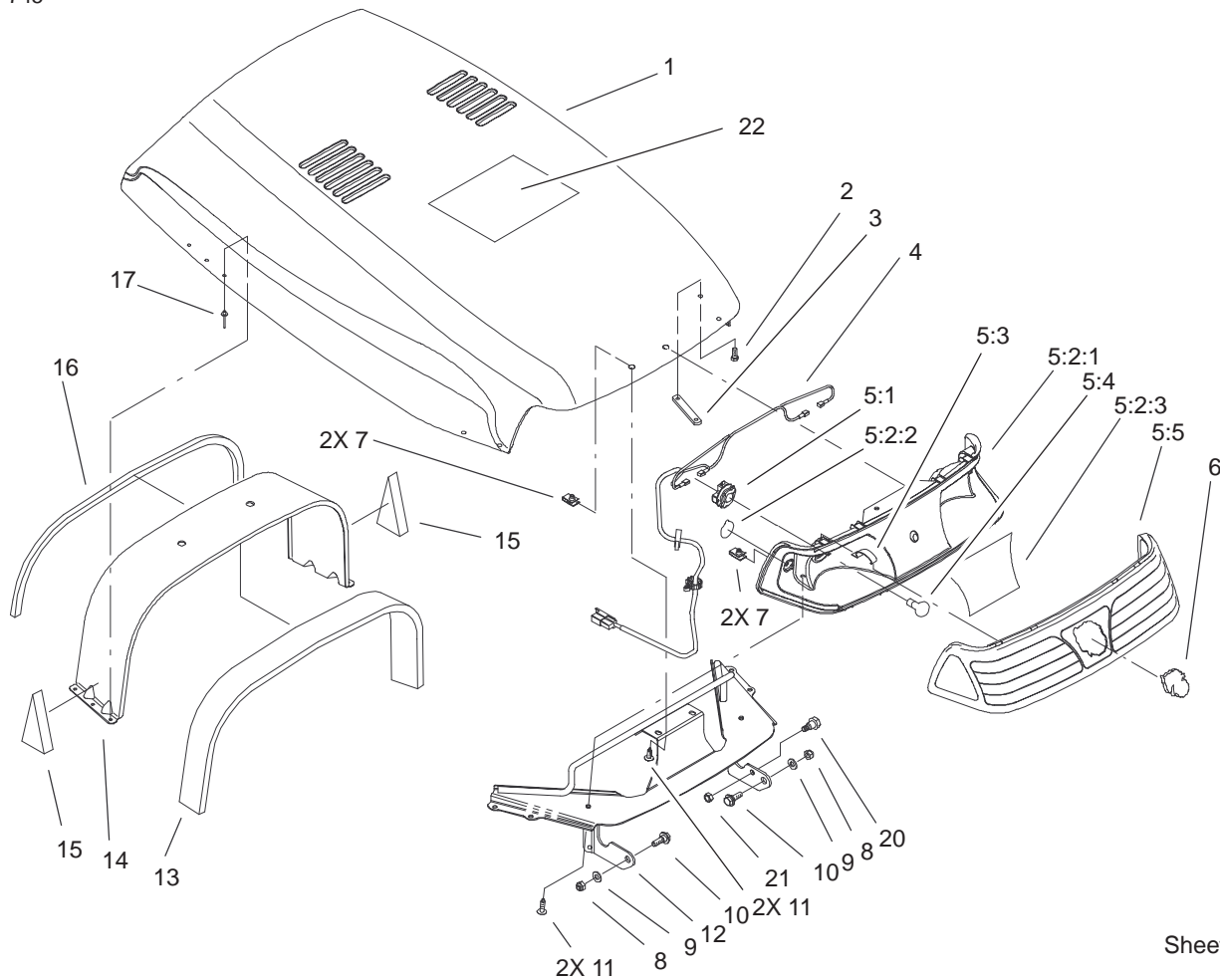


Sheet No.:19

Hydro Lift Upper Assembly

Ref. No.	Part No.	Qty.	Description
1	94-7714	1	Handle – Lift
2	92-1099	1	Bolt–Shoulder
3	95-4168	1	Trunnion – Lift Lever
4	610358	1	Nut–Jam, Locking
5	95-4221	1	Spring – Lift Extension
6	95-4235	1	Washer
7	95-4141	3	Fitting – Hydraulic 90
7:1	237-21	1	O–Ring
7:2	237-42	1	O–Ring
8	3272-1	1	Pin–Cotter
9	94-7945	1	Hose ASM
10	98-1639	1	Pin–Clevis
11	95-4064	1	Clip–Pin
12	94-2300	1	Lift Cylinder ASM
13	3296-42	2	Nut–Lock, NI
14	95-4258	2	Cover – Brace
15	3256-57	1	Washer–Flat
16	95-4245	1	Screw – Thread Locking
17	95-4136	1	Fitting – Hydraulic 45
17:1	237-42	1	O–Ring
17:2	237-21	1	O–Ring
18	94-7944	1	Hose ASM
19	94-7970	1	Tube – Hydraulic
20	95-3806	1	Tube – Hydraulic

Ref. No.	Part No.	Qty.	Description
21	95-4138	1	Fitting–HYD. Straight
21:1	237-22	1	O–Ring
21:2	237-42	1	O–Ring
22	95-4137	1	Fitting – Hydraulic Long
22:1	237-42	1	O–Ring
22:2	237-22	1	O–Ring
23	321-10	2	Screw–HH
24	94-2458	1	Valve – Hydro Lift
25	283-16	1	Pin–Clevis
26	98-1620	1	Link – Lift
27	95-4236	1	Tscrew – PPH
28	94-2100	1	Knob – Lift



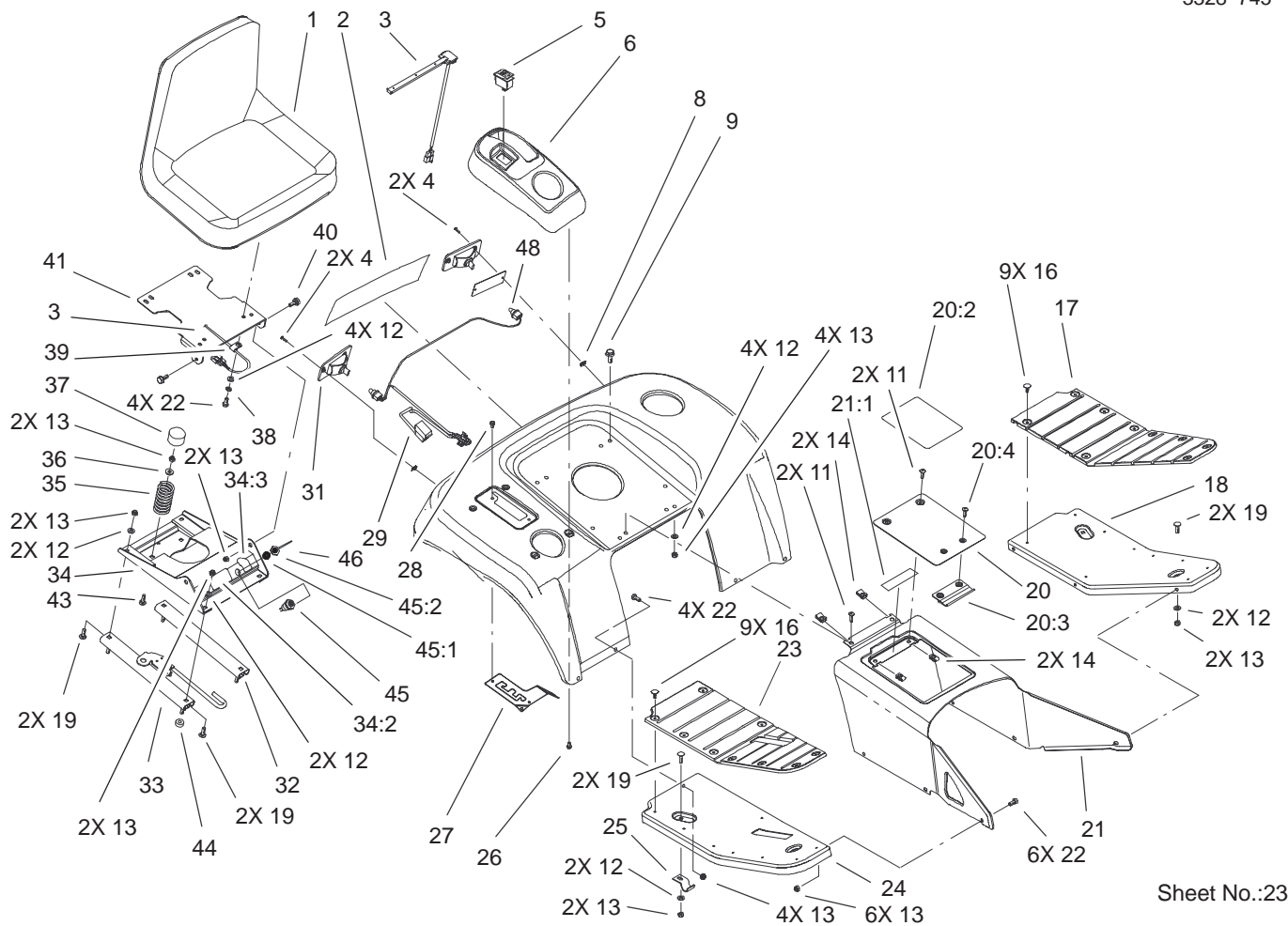
Sheet No.:20

Hood and Headlight Assembly

Ref. No.	Part No.	Qty.	Description
1	98-7205	1	Hood ASM
2	63-8590	4	Screw
3	99-2323	2	Plate-Nut
4	95-0691	1	Harness - Wire,Lights
*5	95-4166	1	Headlight ASM
5:1	98-3591	2	Sealed Socket ASM
*5:2	98-7210	1	Light Reflector ASM
5:2:1	94-2098	1	Reflector - Headlight
5:2:2	98-1602	2	Decal - Sidelight
5:2:3	98-3597	1	Decal-Headlight Reflector
5:3	95-4129	4	Clip - Retainer
5:4	7228	2	Bulb
5:5	94-2099	1	Lens - Headlight
6	95-4248	1	Logo-Horsehead
7	107069	4	Clip
8	3296-29	2	Nut-Lock, NI
9	3256-23	2	Washer-Flat
10	27-0410	2	Screw-Shoulder
11	92-7020	4	Screw-HH
12	99-4962-03	1	Bulkhead-Front
13	95-4078	1	Foam Seal-Rear
14	95-3902-03	1	Bulkhead-Rear
15	95-4259	2	Foam - Lower Bulkhead
16	95-4233	1	Foam - Tape

Ref. No.	Part No.	Qty.	Description
17	3269-12	6	Rivet-Pop
20	92-6986	1	Bolt-Shoulder
21	3296-47	1	Nut-Lock, NI
22	105-1487	1	Decal-Maintenance 5xi

* Not illustrated

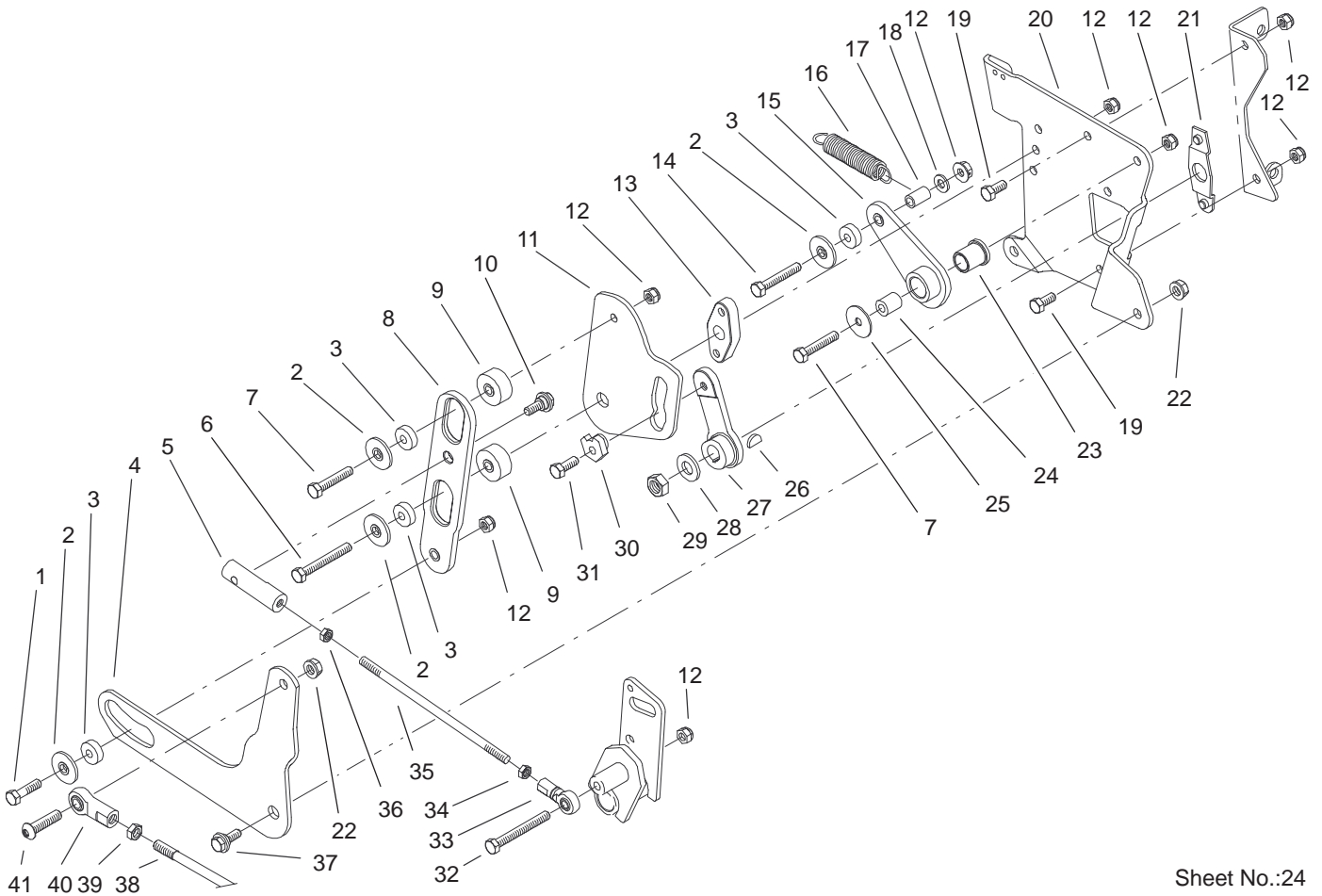


Sheet No.:23

Fender, Footrest and Seat Assembly

Ref. No.	Part No.	Qty.	Description
1	94-3518	1	Seat
2	106-5835	1	Decal-Rear Fender
3	38-1420	1	Switch-Seat
4	3250-29	4	Screw-PPH
5	94-7602	1	Switch - Cruise
6	94-2120	1	Pod - Control
8	95-4115	4	Nut - Speed
9	3234-29	4	Screw-HHF
11	92-7020	4	Screw-HH
12	3256-23	16	Washer-Flat
13	3296-29	26	Nut-Lock, NI
14	107069	4	Clip
16	3290-479	18	Fastener-Panel
17	94-2096	1	Pad - LH Footrest
18	94-2090-01	1	Footrest - LH
19	3230-16	8	Screw-CARR
20	99-6089	1	Cover/Decal ASM
20:2	99-6090	1	Decal-Danger
20:3	95-4107	1	Retainer - Cover
20:4	94-4496	2	Screw-PPH
21	98-5025	1	Tunnel ASM
21:1	80-8760	1	Decal-Danger
22	322-3	14	Screw-HH
23	94-2095	1	Pad - RH Footrest
24	94-2089-01	1	Footrest - RH
25	95-3858	2	Bracket-Footerest

Ref. No.	Part No.	Qty.	Description
26	32144-20	4	Screw-Thread Forming
27	98-8711-03	1	Gate - Hi/Lo Shift
28	32144-4	2	Screw-HWH
29	99-3726	1	Harness-Rear
31	94-2124	2	Lamp - Taillight
32	94-2112	1	Slide - Seat Slave
33	94-2177	1	Slide - Seat Latch
34	104-2495	1	Seat Base ASM
34:2	99-2985	1	Danger-Decal
34:3	99-5339	1	Decal
35	94-2106-03	2	Spring - Compression
36	105503	2	Bushing
37	95-4242	2	Cap - Seat Spring
38	3253-4	4	Washer-Lock
39	98-2390	1	Clamp - R
40	37-8771	2	Bolt-Shoulder
41	104-4345-03	1	Mount-Seat
43	3230-22	2	Screw-CARR
44	4-2390	4	Washer-Flat
45	46-5780	1	Switch-Starter
45:1	3254-5	1	Washer-Tooth
45:2	218-461	1	Nut-HH
46	62-7770	1	Key-Ignition
48	109045	2	Light Bulb

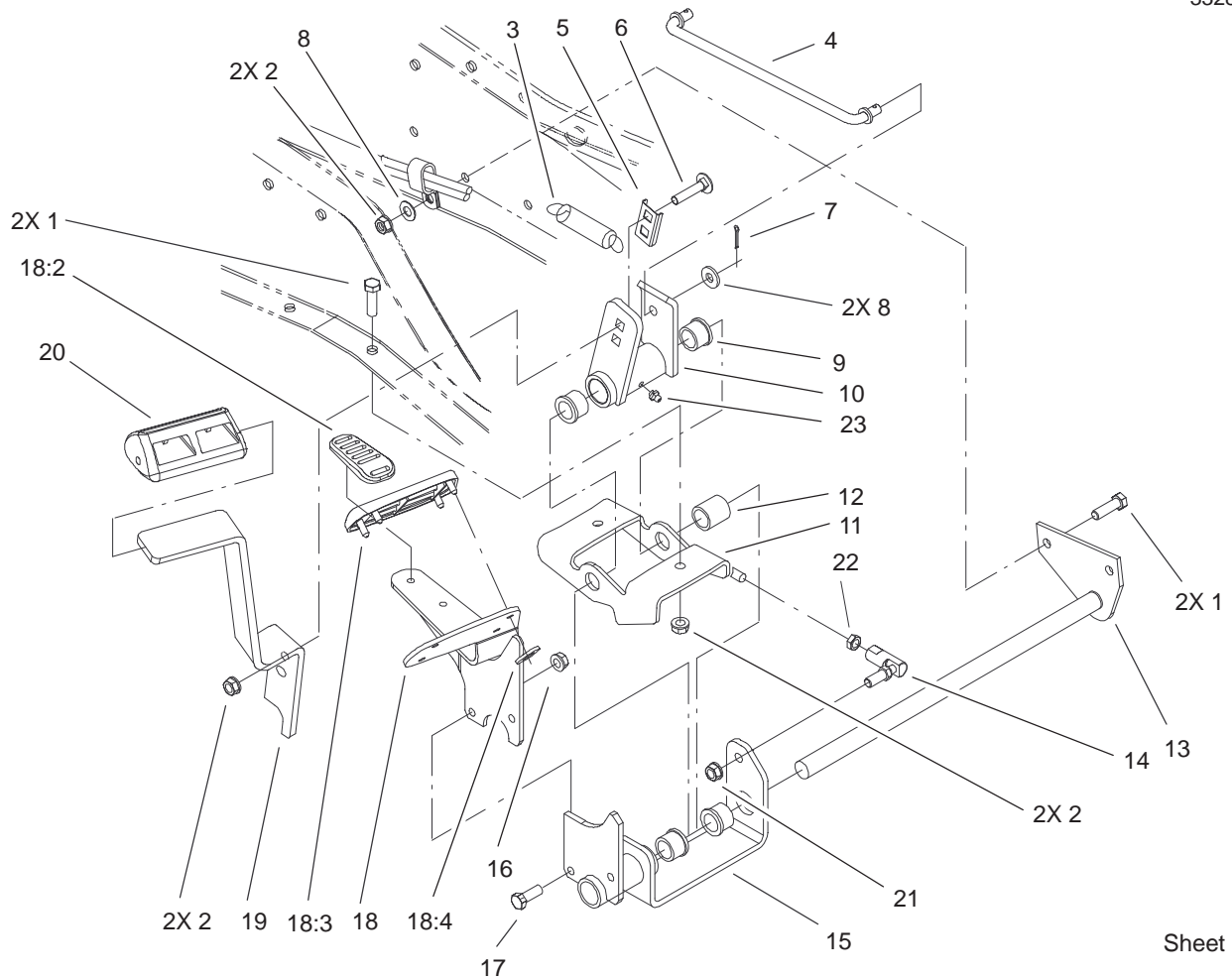


Sheet No.:24

Smart Turn Rear Assembly

Ref. No.	Part No.	Qty.	Description
1	322-6	1	Screw-HH
2	94-2313	4	Retainer - Bearing
3	95-4185	4	Bearing - Ball
4	95-3801-03	1	Slider-Lift
5	94-7637	1	End-Rod, RH
6	322-12	1	Screw-HH
7	322-9	2	Screw-HH
8	94-2144	1	Slider - Speed Control
9	94-2169	2	Standoff - Cam Plate
10	94-7817	1	Bolt-Shoulder
11	94-2145	1	Plate - Cam
12	3296-29	8	Nut-Lock, NI
13	94-2168	1	Standoff - Slider
14	322-10	1	Screw-HH
15	94-7586	1	Arm-Return To Neutral
16	63-1590	1	Spring-Idler
17	94-2309	1	Standoff - Spring
18	3256-23	1	Washer-Flat
19	322-3	2	Screw-HH
20	99-8053-03	1	Plate-Control
21	94-7814	1	Locator-Control Plate
22	108881	2	Nut
23	94-7913	1	Bushing - Flanged
24	94-7564	1	Spacer
25	3256-57	1	Washer-Flat

Ref. No.	Part No.	Qty.	Description
26	3257-24	1	Key-Woodruff
27	94-7816	1	Arm - Speed Control
28	3256-26	1	Washer-Flat
29	3296-45	1	Nut-Lock, NI
30	94-2468	1	Cam
31	95-4245	1	Screw - Thread Locking
32	322-13	1	Screw-HH
33	94-7571	1	End - RH Rod
34	3220-20	1	Nut-Jam
35	94-2497	1	Rod - Slider To Pivot
36	3220-2	1	Nut
37	94-7582	1	Bolt - Shoulder
38	94-7500	1	Rod-Lift
39	3220-3	1	Nut-Jam
40	92-7008	1	End-Rod, Female
41	95-3857	1	Screw-HSBH

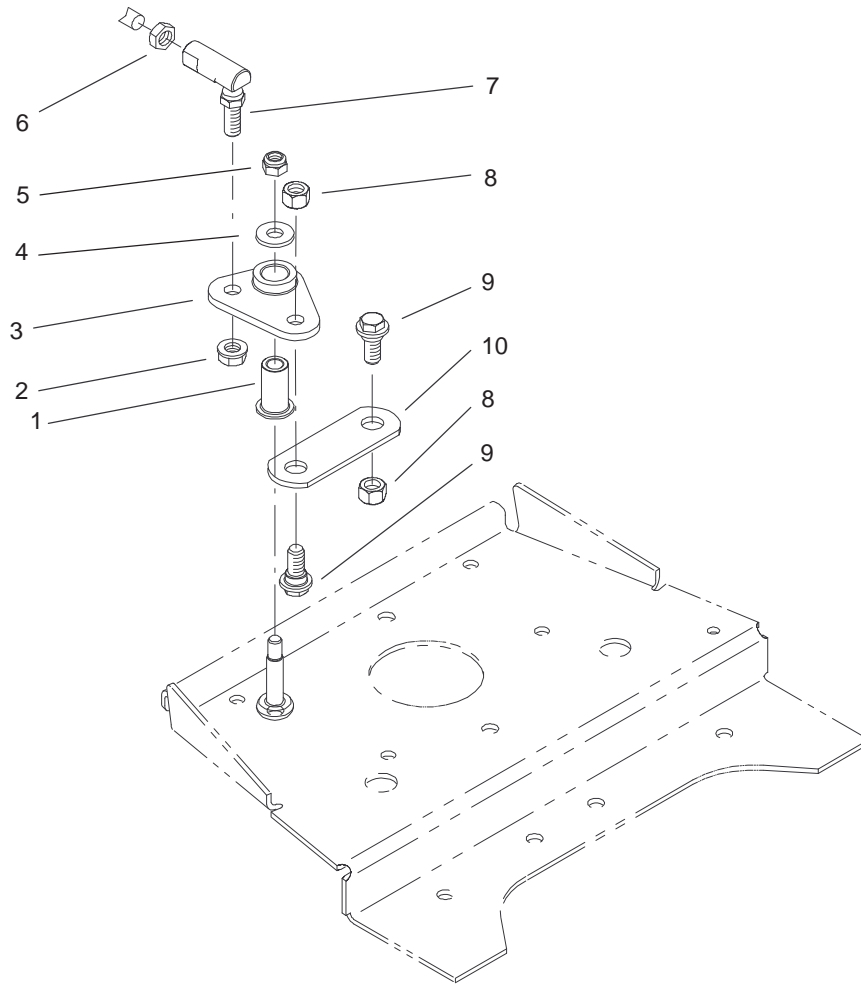


Sheet No.:27

Hydro Control Assembly

Ref. No.	Part No.	Qty.	Description
1	323-7	4	Screw-HH
2	3296-39	6	Nut-Lock, NI
3	63-1590	1	Spring-Idler
4	94-2499	1	Rod-Pivot Plate To Pedal
5	94-7818	1	Retainer - Screw
6	3231-25	2	Screw-CARR
7	3272-10	2	Pin-Cotter
8	3256-24	3	Washer-Flat
9	98-1636	4	Bushing - Flange
10	94-2351-03	1	Bracket-Brake
11	94-2343-03	1	Bracket - Support
12	94-7501	1	Spacer - Pedal
13	94-2345-03	1	Shaft-Pivot
14	94-7572	1	End-RH Tie Rod
15	94-2342-03	1	Bracket-Foward/Reverse
16	3296-29	2	Nut-Lock, NI
17	322-5	2	Screw-HH
18	99-8050	1	Hydro Pedal ASM
18:2	98-9039	1	Heel Pad-Hydro Pedal
18:3	98-9040	1	Toe Pad-Hydro Pedal
18:4	32112-6	6	Pushnut
19	94-2352-03	1	Pedal - Brake
20	94-2123	1	Pad - Brake Pedal
21	3296-6	1	Nut-Lock, NI

Ref. No.	Part No.	Qty.	Description
22	3220-3	1	Nut-Jam
23	302-5	1	Fitting-Grease

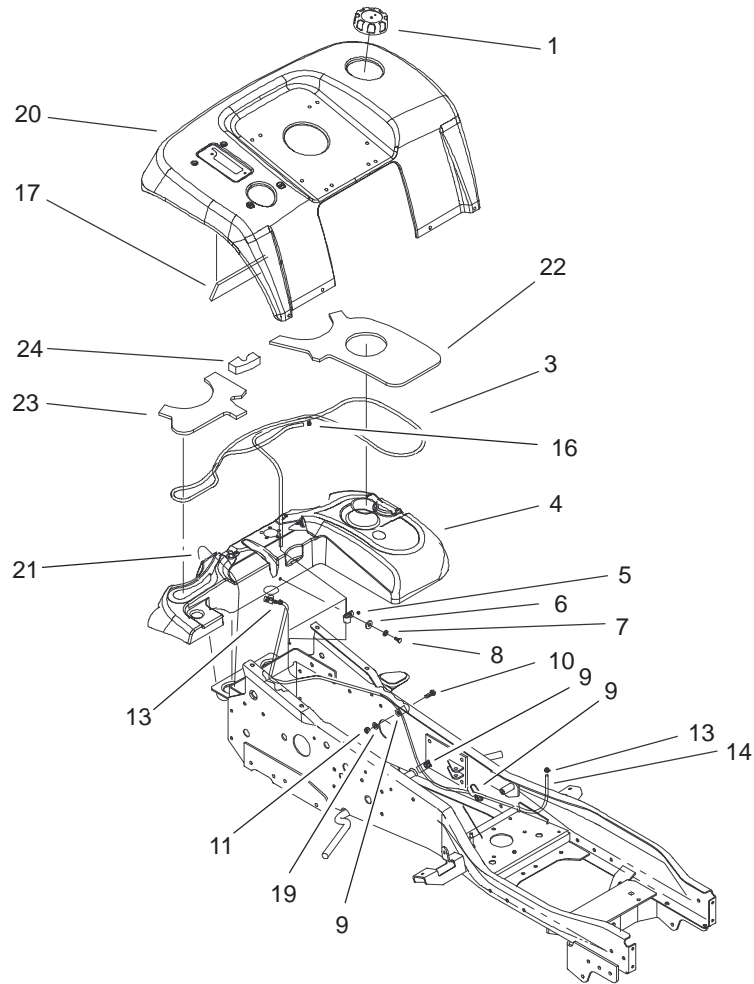


Sheet No.:28

Smart Turn Front Assembly

Ref. No.	Part No.	Qty.	Description
1	94-7919	1	Bushing
2	3296-6	1	Nut-Lock, NI
3	94-7579	1	Lever - Slow Down
4	98-3499	1	Washer-Flat
5	3296-29	1	Nut-Lock, NI
6	3220-16	1	Nut-Jam, LH
7	94-7573	1	End - LH Tie Rod
8	108881	2	Nut
9	94-7582	2	Bolt - Shoulder
10	94-2409	1	Link-Slow Down

Ref. No.	Part No.	Qty.	Description

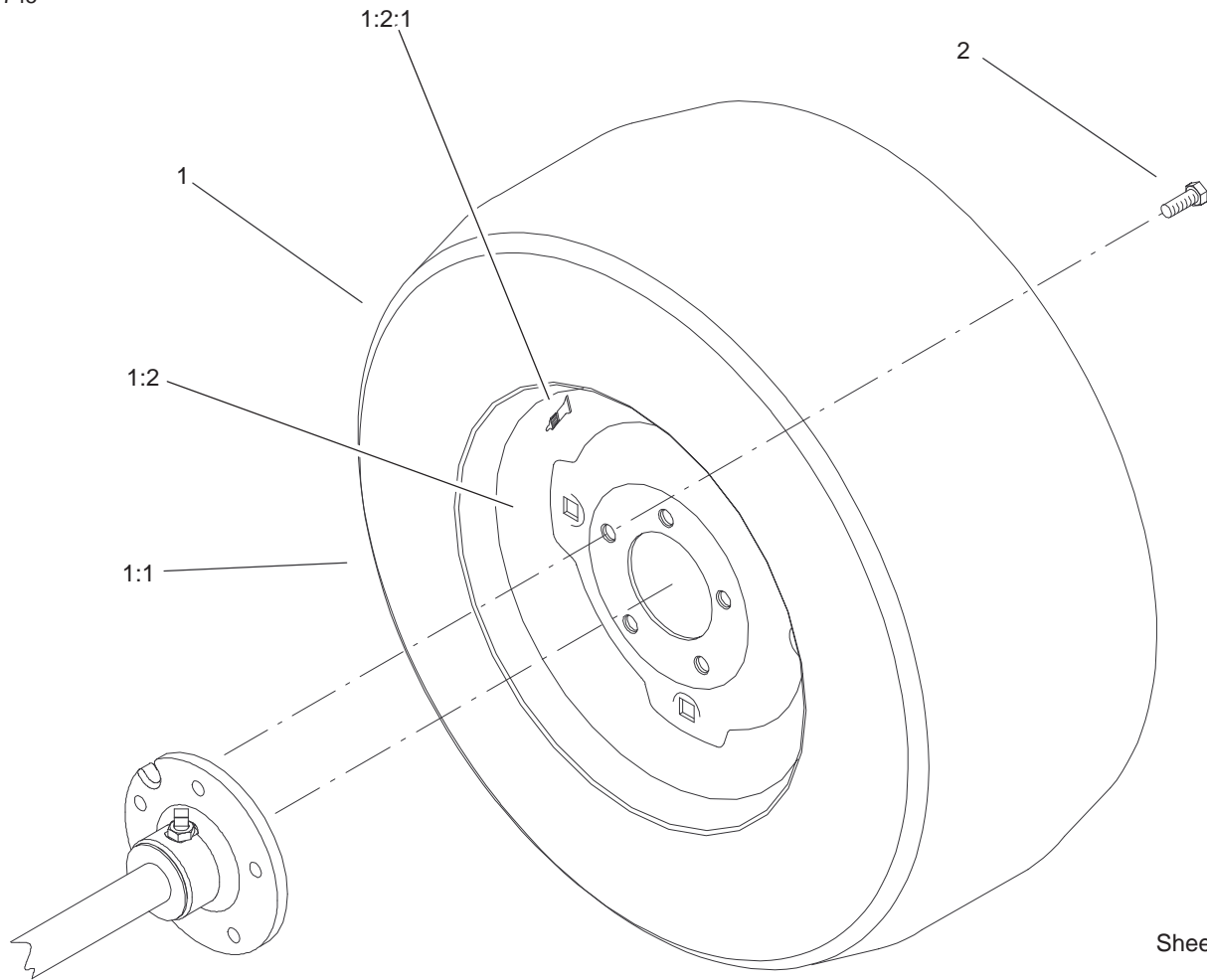


Sheet No.:31

Fender and Fuel System Assembly

Ref. No.	Part No.	Qty.	Description
1	95-4192	1	Unleaded Gas Cap ASM
3	99-8553	1	Hose-Vent
4	99-6141	1	Gas Tank ASM
5	2412-94	1	Clamp
6	3256-22	1	Washer-Flat
7	3253-3	1	Washer-Lock
8	321-3	1	Screw-HH
9	98-1616	3	Clamp-Tube
10	323-6	1	Screw-HH
11	3296-39	1	Nut-Lock, NI
13	95-4271	2	Clamp-Hose
14	99-9680	1	Hose-Fuel
16	94-8189	1	Clamp-Hose
17	95-4157	1	Foam - Tank Center
19	3256-24	1	Washer-Flat
20	98-7208	1	Rear Body ASM
21	99-5901	1	Tie-Cable
22	99-6145	1	Foam-Tank
23	99-6146	1	Foam-Tank
24	99-6887	1	Foam-Tank Top

Ref. No.	Part No.	Qty.	Description



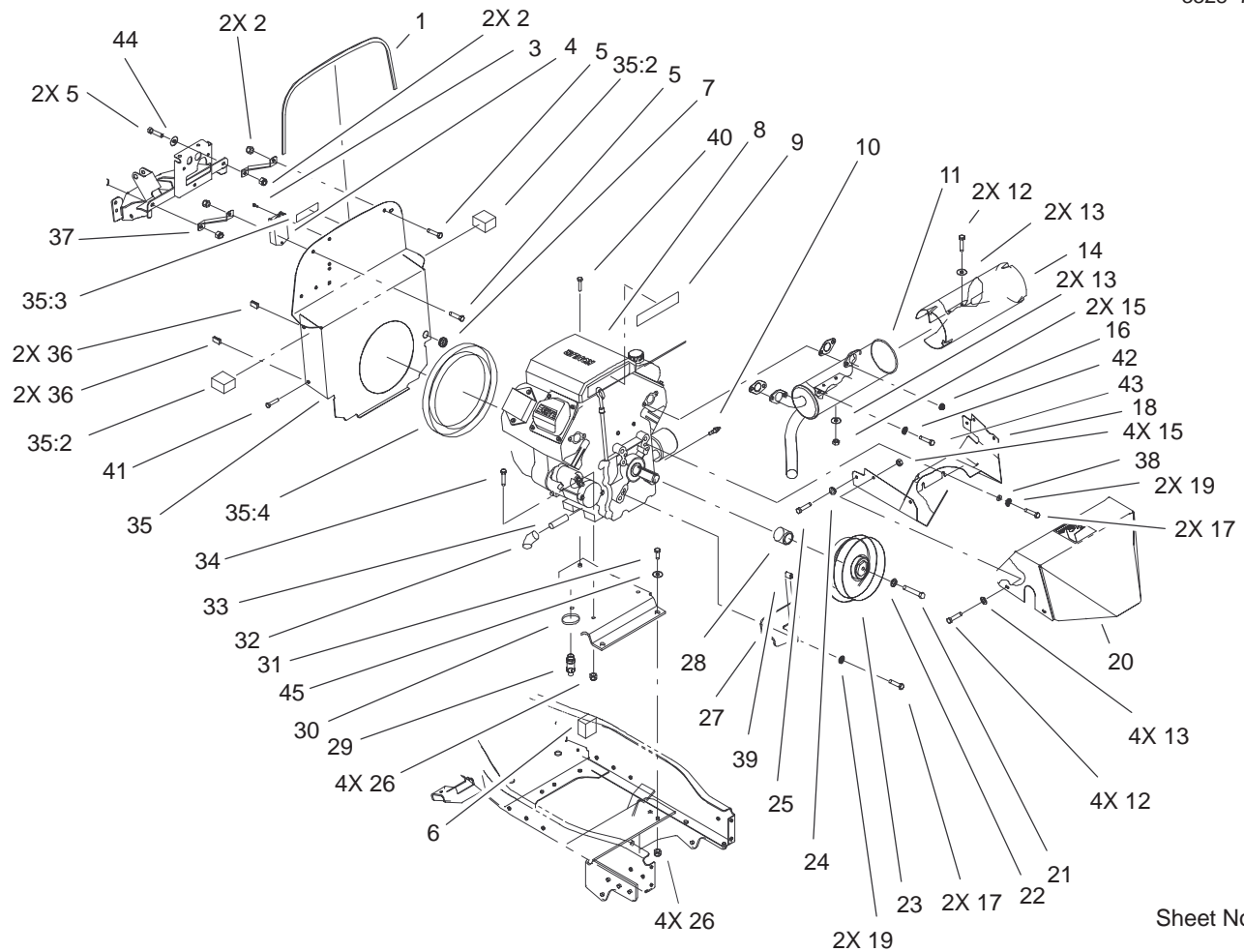
Sheet No.:32

Wheel Assembly

Ref. No.	Part No.	Qty.	Description
1	99-3694	2	Wheel & Tire ASM
1:1	99-2334	1	Tire
1:2	110680	1	Rim ASM
1:2:1	5108	1	Valve
*	7007	1	Tube-Inner
2	83-2720	10	Bolt-Lug

Ref. No.	Part No.	Qty.	Description

* Not illustrated



Sheet No.:33

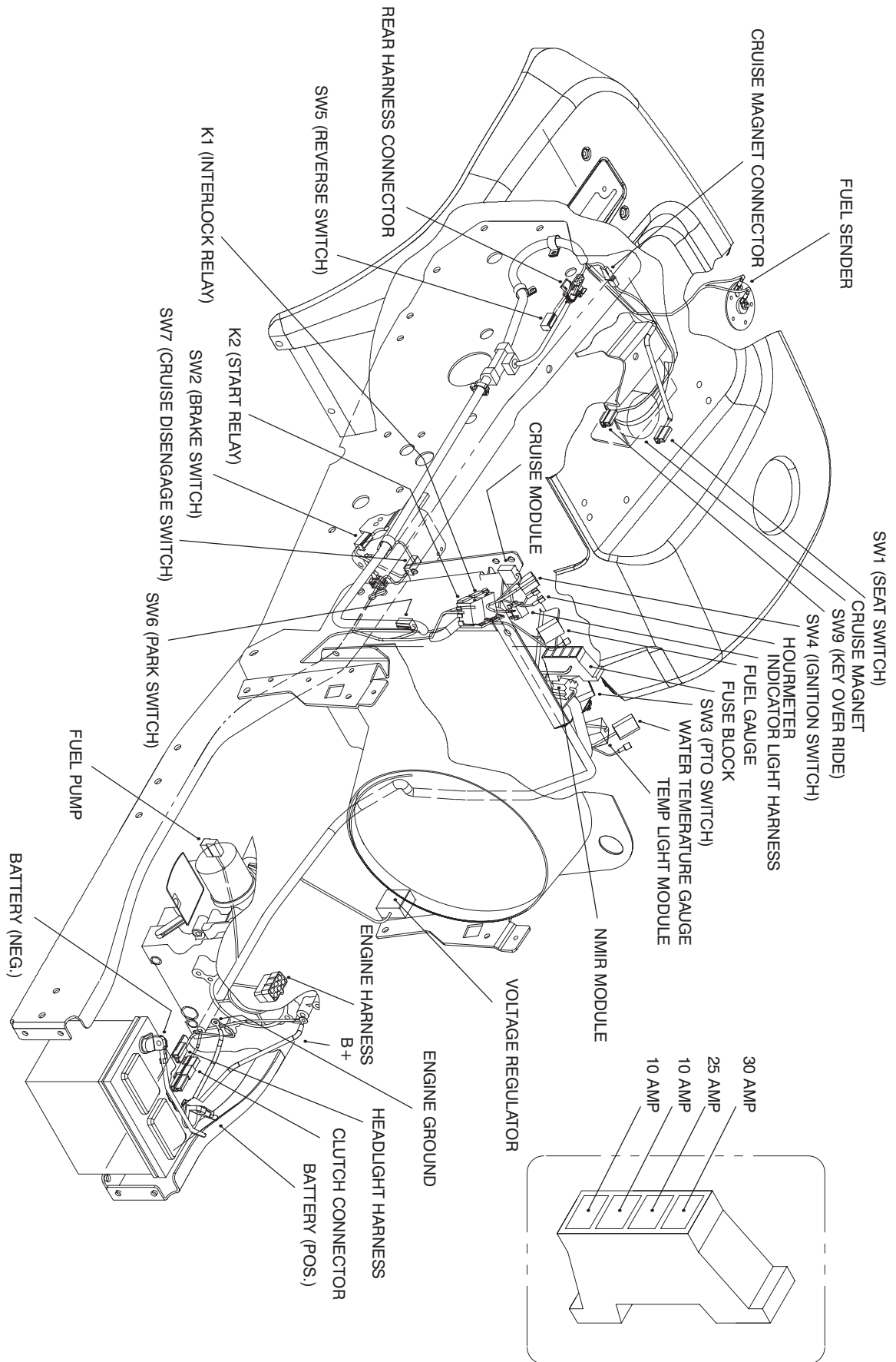
Air Cooled Engine Assembly

Ref. No.	Part No.	Qty.	Description
1	95-4125	1	Trim - Lock, Bulkhead
2	3296-29	4	Nut-Lock, NI
3	32144-112	1	Screw-HWHTF
4	99-1933	1	Module-Low Voltage
5	322-3	4	Screw-HH
6	98-3086	2	Seal-Foam, Side
7	240-9	1	Grommet
☆8		1	Engine - 20hp Kohler Model No. Ch20s-64583
9	98-3580	1	Decal - 20 HP Engine
10	94-7619	1	Sender - Oil Temperature
11	94-7558	1	Muffler - Kohler
12	321-3	6	Screw-HH
13	3256-22	8	Washer-Flat
14	94-7560	1	Reflector - Heat
15	32152-4	6	Nut-Hex
16	92-6780	4	Nut-HF
17	323-6	4	Screw-HH
18	94-7522-03	1	Shrd-Muffler
19	3253-5	4	Washer-Lock
20	94-7524-03	1	Shroud-Muffler
21	94-7973	1	Screw-HH
22	3256-25	1	Washer-Flat
23	94-2190	1	Clutch - PTO

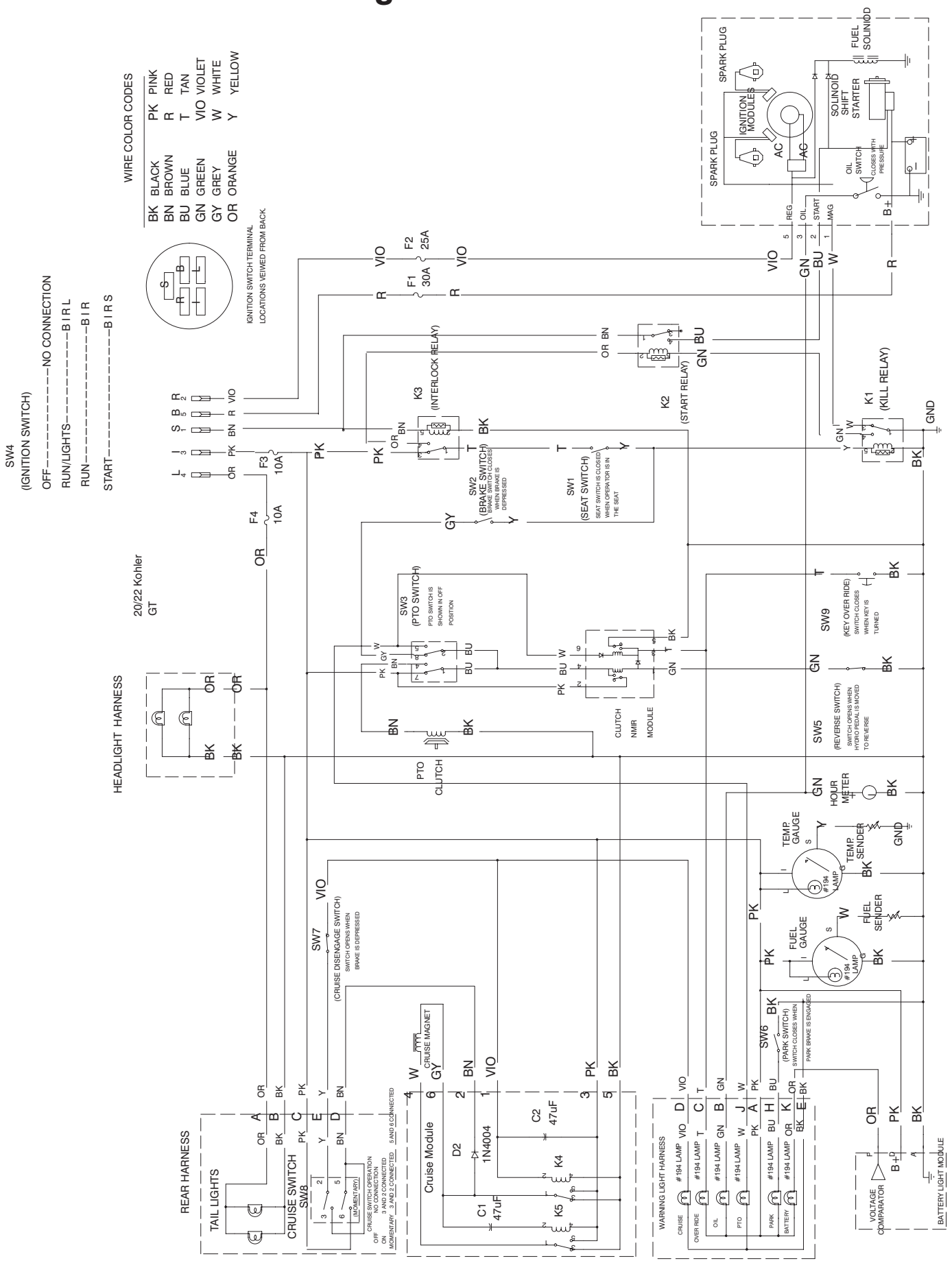
Ref. No.	Part No.	Qty.	Description
24	3253-3	2	Washer-Lock
25	33113-008	2	Screw-HH
26	3296-39	8	Nut-Lock, NI
27	94-2356-03	1	Clutch - Stop
28	94-2068	1	Spacer - Clutch
29	92-6877	1	Valve-Drain, Oil
30	94-2199-03	1	Plate - Engine
31	323-7	3	Screw-HH
32	2811-16	1	Elbow-90°
33	98-7200	1	Nipple
34	323-9	4	Screw-HH
35	98-5060	1	Bulkhead ASM
35:2	98-3086	2	Seal-Foam, Side
35:3	98-5012	1	Decal - Warning
35:4	95-4104	1	Seal-Foam
36	107069	4	Clip
37	95-4117-03	2	Bracket-Bulkhead
38	3256-24	2	Washer-Flat
39	98-5023	1	Bumper
40	32144-109	1	Screw
41	92-7020	4	Screw-HH
42	3253-4	2	Washer-Lock
43	33104-020	2	Screw-HHF
44	3256-23	2	Washer-Flat
45	3256-24	2	Washer-Flat

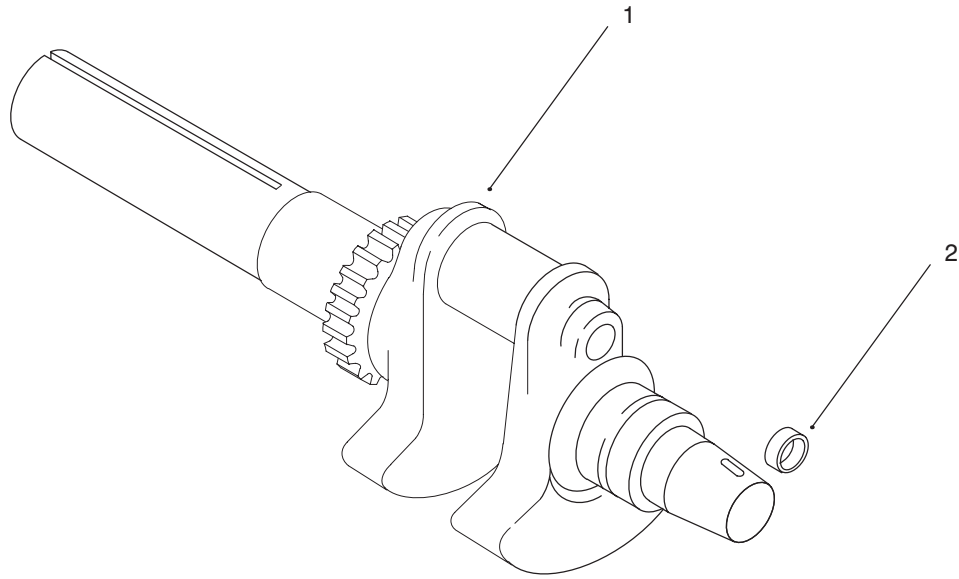
☆ Not serviced separately

Wiring Diagram 20HP



Wiring Schematic 20HP





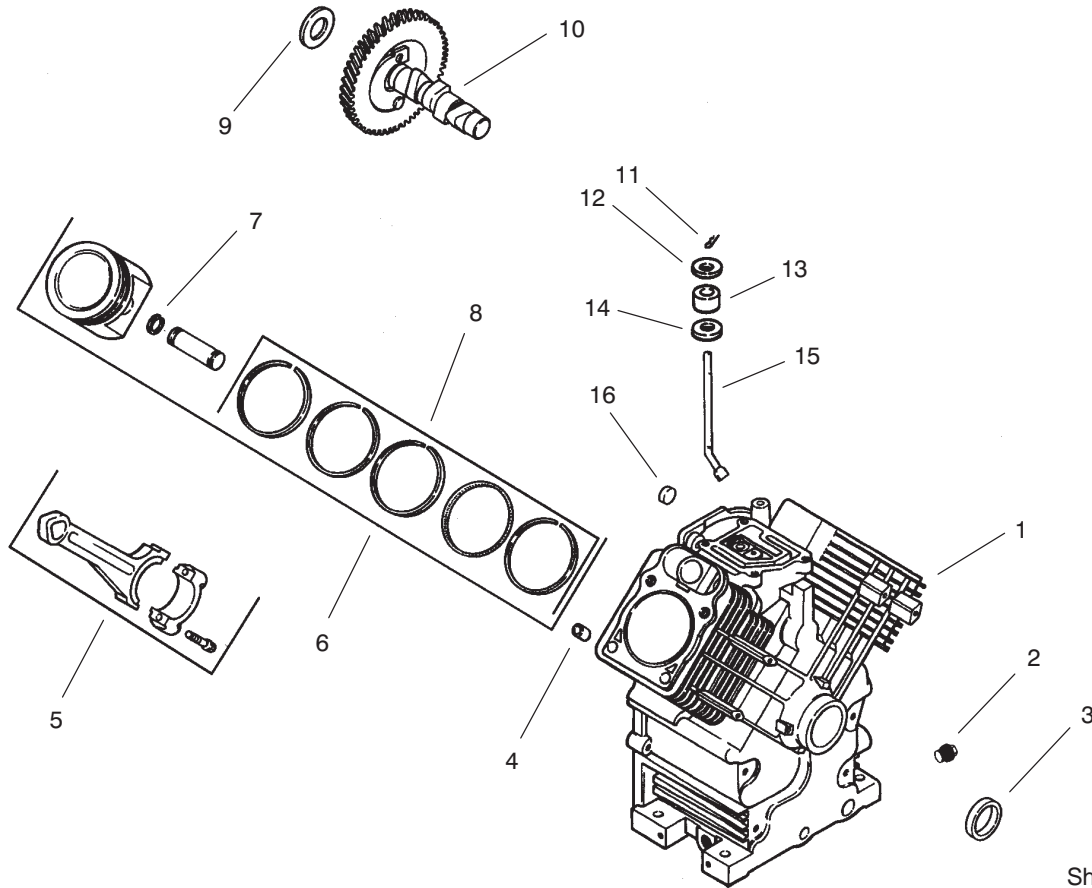
Sheet No.:

Group 1 – Crankshaft Assembly

Ref. No.	Part No.	Qty.	Description
1	24 014 14	1	Crankshaft (Includes 2)
2	52 139 09	1	Plug, cup

Ref. No.	Part No.	Qty.	Description

Obtain Parts from Your Local Kohler Dealer. Kohler Engine No. CH20S-64583



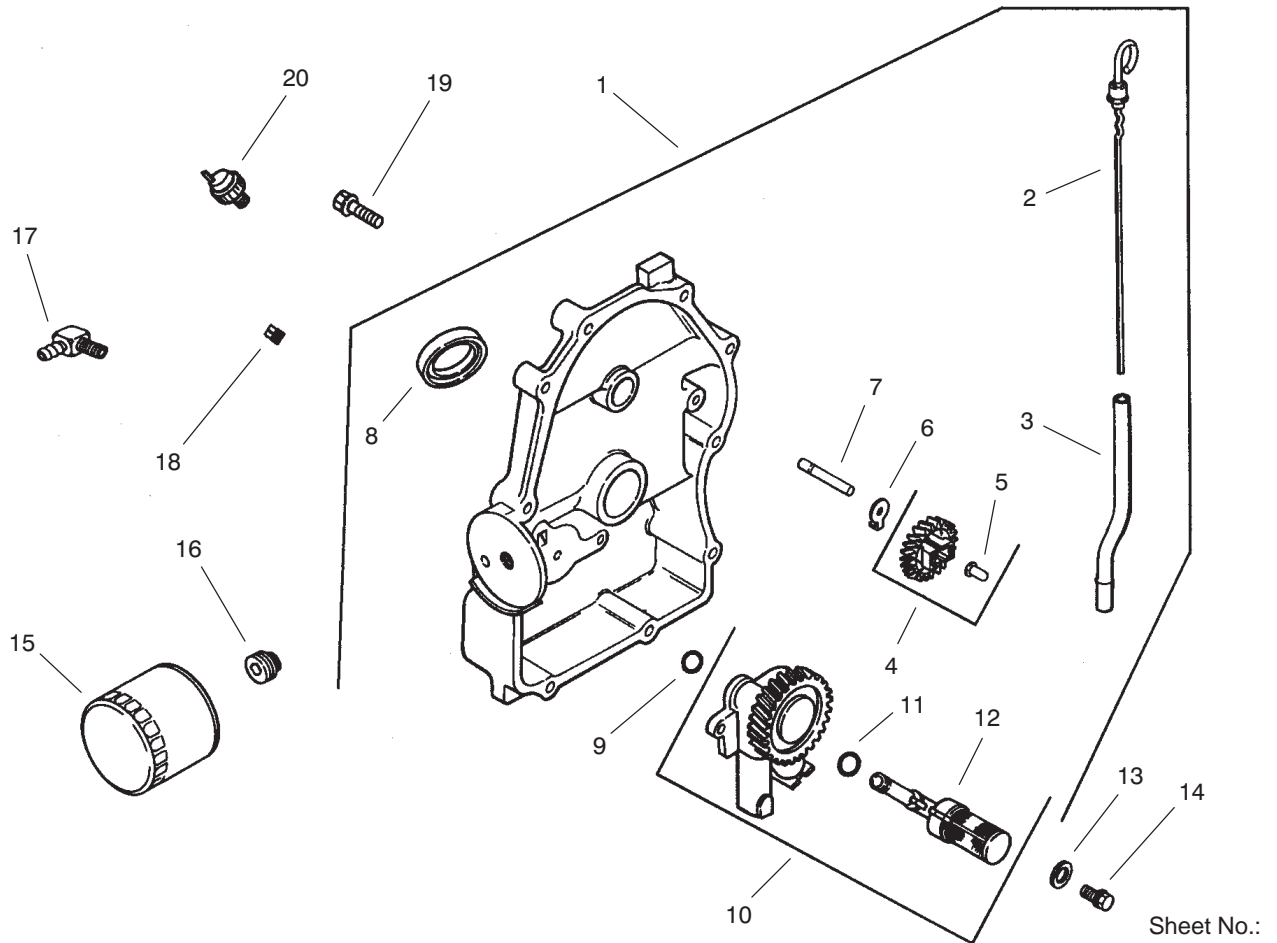
Sheet No.:

Group 2 – Crankcase Assembly

Ref. No.	Part No.	Qty.	Description
1	X-75-10	1	Cylinder Block
		1	(Use Miniblock 24 782 01)
2	24 032 01	2	Plug, hex. head
3	12 380 17	1	Seal, oil front
4		6	Pin, dowel locating
5	24 067 09	2	Connecting Rod (Std.)
	24 067 10	2	Connecting Rod (.25)
6	24 874 01	2	Piston w/Ring Set (Std.)
	24 874 02	2	Piston w/Ring Set (.25)
	24 874 03	2	Piston w/Ring Set (.50)
7	24 018 01	4	Retainer, piston pin
8	24 108 01	2	Ring Set (Std.)
	24 108 02	2	Ring Set (.25)
	24 108 03	2	Ring Set (.50)
9	12 422 09	A/R	Shim, camshaft red
	12 422 13	A/R	Shim, camshaft black
	12 422 07	A/R	Shim, camshaft white
	12 422 08	A/R	Shim, camshaft blue
	12 422 10	A/R	Shim, camshaft yellow
	12 422 11	A/R	Shim, camshaft green
	12 422 12	A/R	Shim, camshaft gray
10	24 012 05	1	Camshaft
11	12 380 04	1	Pin, hitch
12	M-0631005	1	Washer, flat

Ref. No.	Part No.	Qty.	Description
13	12 032 01	1	Seal, governor cross shaft
14	X-25-102	1	Washer, plain
15	24 144 01	1	Shaft, governor cross
16	52 139 09	1	Plug, cup

Obtain Parts from Your Local Kohler Dealer. Kohler Engine No. CH20S-64583

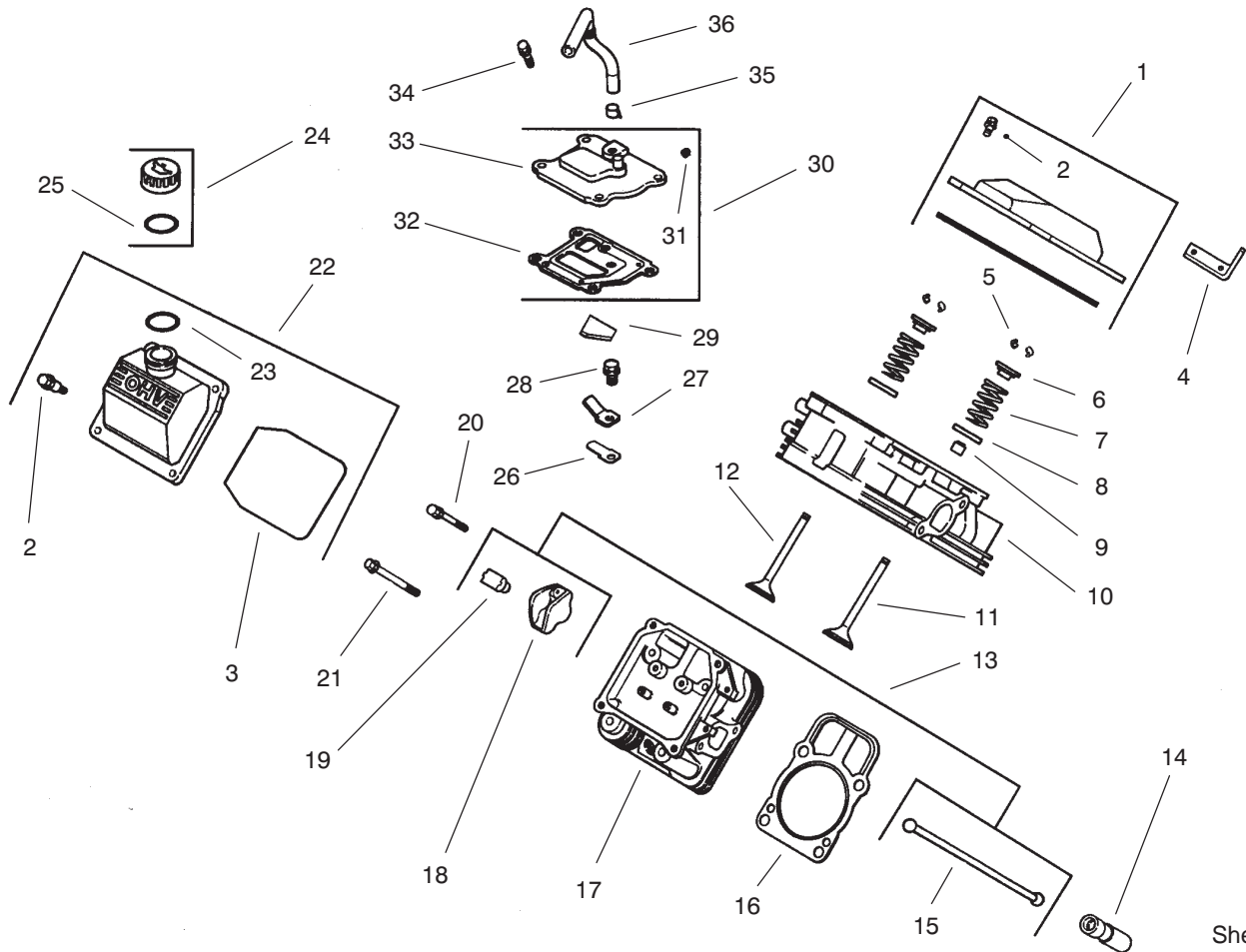


Sheet No.:

Group 3 – Oil Pan/Lubrication Assembly

Ref. No.	Part No.	Qty.	Description	Ref. No.	Part No.	Qty.	Description
1	54 009 01	1	Plate, closure assembly (Includes 2–12)		25 113 05	1	Not Illustrated Decal, oil sentry
2	24 038 06	1	Dipstick				
3	24 123 08	1	Tube, dipstick				
4	24 043 12	1	Kit, governor gear (Includes 5)				
5	12 380 01	1	Pin, governor regulating				
6	52 448 02	1	Tab, locking				
7	12 144 02	1	Shaft, governor gear				
8	52 032 08	1	Seal, oil (PTO end)				
9	24 153 08	1	O-Ring				
10	24 393 10	1	Oil pump assembly (Includes 11,12)				
11	24 153 01	1	O-Ring, oil pick-up				
12	24 381 04	1	Pick-up, oil				
13	M-0631005	2	Washer, plain				
14	M-0645025	2	Screw, hex. flange				
15	12 050 01	1	Filter, oil				
16	24 136 01	1	Nipple, oil filter				
17	25 155 02	1	Connector				
18	X-75-23	1	Plug, pipe				
19	24 086 16	10	Screw, hex. flange				
20	52 099 06	1	Switch, pressure				

Obtain Parts from Your Local Kohler Dealer. Kohler Engine No. CH20S-64583



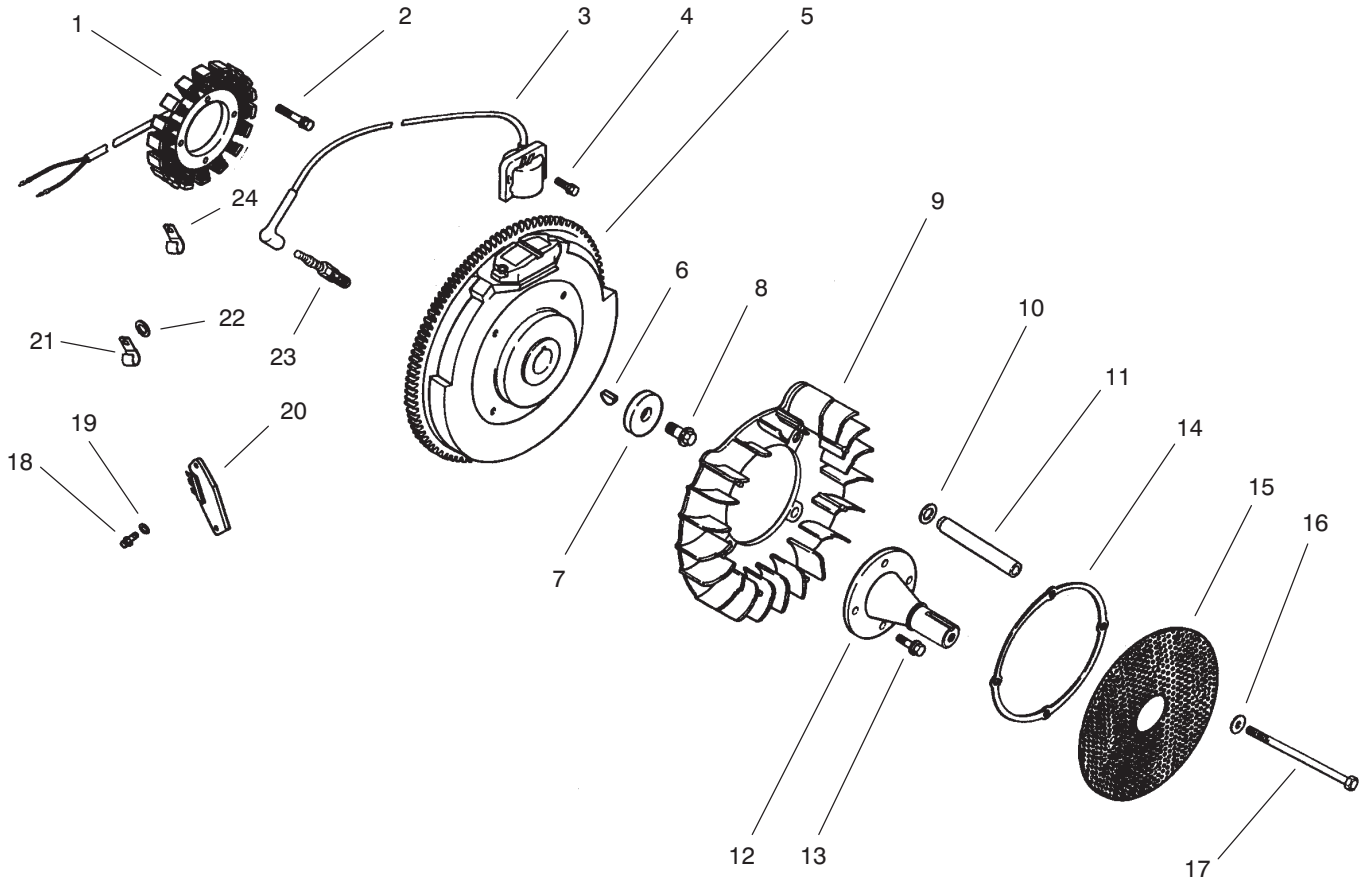
Sheet No.:

Group 4 – Head/Valve/Breather Assembly

Ref. No.	Part No.	Qty.	Description
1	24 755 74	1	Kit, valve cover – plain (Includes 2–3)
2	24 086 32	4	Screw, shoulder
3	24 153 16	1	O–Ring, valve cover
4	24 445 01	1	Strap, lifting
5	12 755 03	4	Kit, retainer
6	12 173 01	4	Cap, valve spring
7	24 089 02	4	Spring, valve
8	235011	4	Retainer, spring
9	24 032 05	2	Seal, valve stem
10	24 318 09	1	Head assembly, #1 cylinder
11	24 017 01	2	Valve, intake (Std.)
	24 017 02	2	Valve, intake (.25)
12	24 016 01	2	Valve, exhaust (Std.)
	24 016 02	2	Valve, exhaust (.25)
13	24 755 66	1	Kit, valve train (Includes 15,18,19)
14	12 351 02	4	Lifter, valve
15	24 411 05	4	Rod, push
16	24 041 08	2	Gasket, cylinder head
17	24 318 10	1	Head assembly, #2 cylinder
18	25 186 01	4	Arm, rocker
19	24 599 01	4	Pivot, rocker arm
20	M–0640034	4	Screw, hex. flange

Ref. No.	Part No.	Qty.	Description
21	12 086 16	8	Screw, hex. flange
22	24 755 75	1	Kit, valve cover – oil fill (Includes 2,3,23)
23	24 153 09	1	O–Ring
24	25 755 13	1	Kit, oil fill cap (Includes 25)
25	12 153 03	1	O–Ring, oil fill cap
26	24 402 03	1	Reed, breather
27	12 018 01	1	Retainer, breather reed
28	M–0545010	1	Screw, hex. flange
29	24 050 01	1	Filter, breather
30	24 033 01	1	Kit, breather (Includes 31–33)
31	X–75–23	1	Plug, allen head 1/8 pipe
32	24 041 23	1	Gasket, breather
33	24 096 02	1	Cover, breather
34	M–0645020	4	Screw, hex. flange
35	X–426–9	1	Clamp, breather
36	24 326 06	1	Hose, breather

Obtain Parts from Your Local Kohler Dealer. Kohler Engine No. CH20S-64583



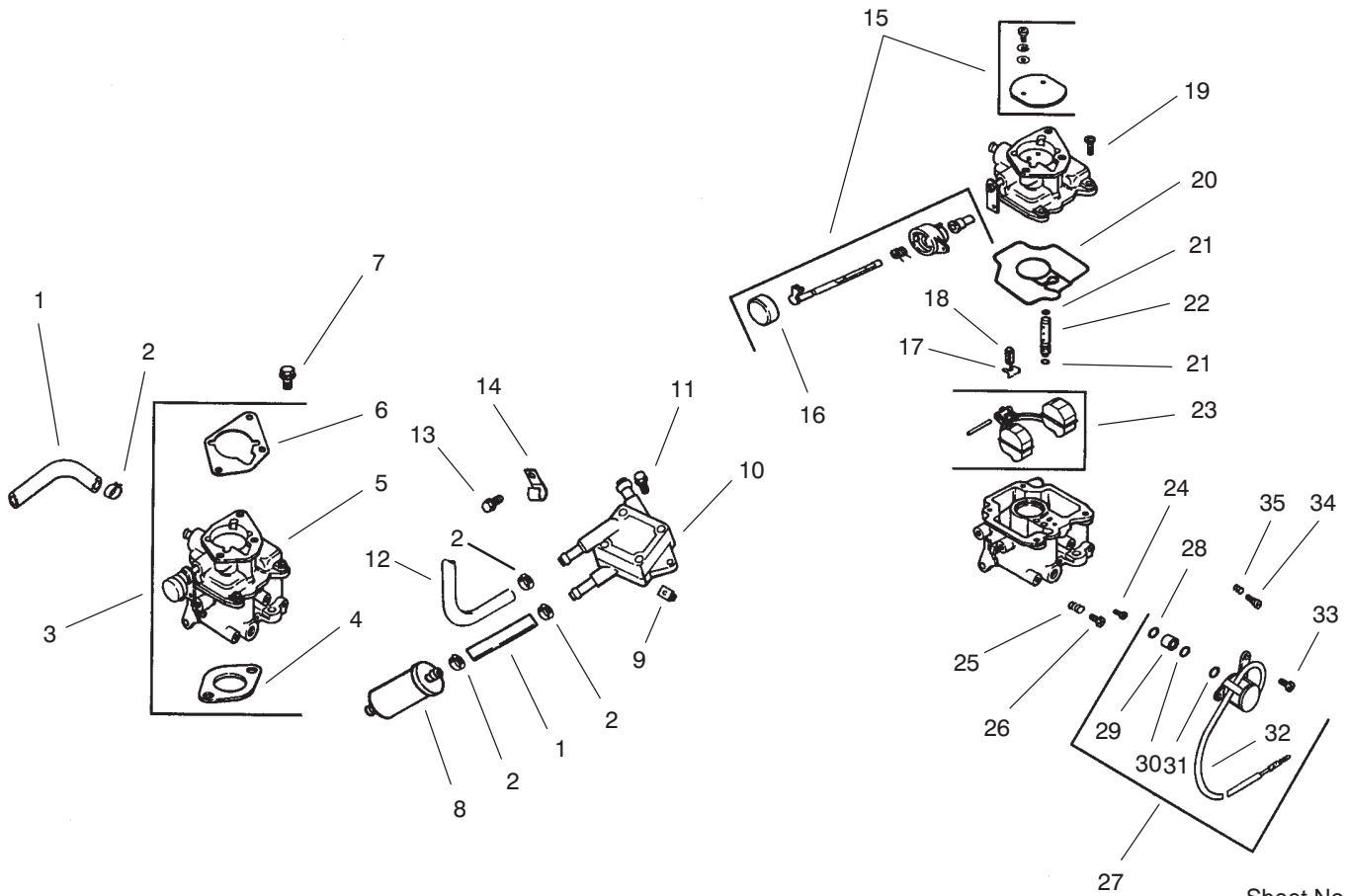
Sheet No.:

Group 5 – Ignition/Electrical Assembly

Ref. No.	Part No.	Qty.	Description
1	54 755 09	1	Kit, 15 amp stator (Incl. 24 126 71 bracket)
2	M-0548025	2	Screw, hex. cap
3	24 584 01	2	Module, ignition
4	M-0545020	4	Screw, hex. flange
5	24 025 01	1	Flywheel
6	X-42-15	1	Key
7	12 468 03	1	Washer, plain
8	12 086 14	1	Screw, hex. flange
9	24 157 03	1	Fan
10	24 468 11	4	Washer, spring
11	24 112 14	4	Spacer, grass screen
12	24 144 25	1	Shaft, front drive
13	M-0839025	4	Screw, hex. flange
14	24 141 06	1	Ring, support
15	24 162 22	1	Screen, grass
16	X-25-53	4	Washer, plain
17	M-0603100	4	Screw, hex. cap
18	24 086 18	4	Screw, phillips hd.
19	X-25-92	2	Washer, plain
20	25 403 03	1	Rectifier-regulator 15 amp
21	235173	1	Clip, cable
22	X-25-63	1	Washer, plain
23	12 132 02	2	Spark Plug

Ref. No.	Part No.	Qty.	Description
24	48 154 02	1	Clip, cable Not Illustrated
	25 518 28	1	Lead, black, (4" – 18 gauge – insulated grip barrel eyelet terminals)
	24 176 08	1	Harness, wiring
	24 176 49	1	Harness, wiring (Includes 3 connectors)
	236602	1	Connector
	15 155 01	1	Connector
	52 155 04	1	Connector
	24 126 71	1	Bracket, stator wire
	25 086 43	1	Screw, set (adjusts grass scraper blade)
	X-22-11	1	Washer, lock (for ground screw & wire)
	41 155 03	1	Connector
	277563	1	Connector
	X-67-3	2	Screw (mounts 5 wire connector to baffle)

Obtain Parts from Your Local Kohler Dealer. Kohler Engine No. CH20S-64583



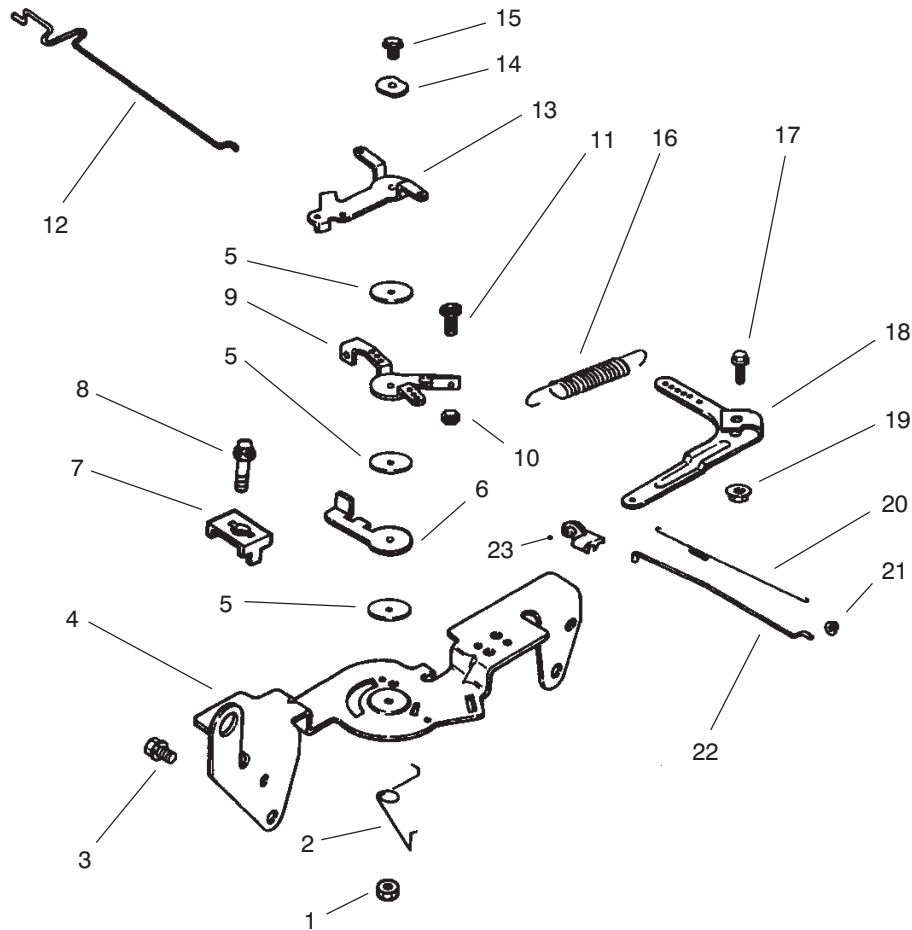
Sheet No.:

Group 8 – Fuel System Assembly

Ref. No.	Part No.	Qty.	Description
1	25 353 10	2	Line, fuel 9"
2	X-426-9	6	Clamp, hose
3	24 853 32	1	Kit, carburetor w/gasket (Includes 4-6)
4	24 041 06	1	Gasket, air cleaner base
5	24 053 32	1	Carburetor assembly (Includes 15-35)
6	24 041 17	1	Gasket, carburetor
7	M-0651030	2	Screw, hex. flange
8	24 050 02	1	Filter, fuel
9	24 100 01	2	Nut, plastic
10	24 393 04	1	Pump, fuel – pulse
11	24 086 12	2	Screw, hex. cap
12	24 353 04	1	Line, fuel 17"
13	M-0650012	1	Screw, hex. flange
14	47 154 01	1	Clip, cable
15	24 757 07	1	Kit, choke repair (Includes 16)
16	24 173 02	1	Cap, choke lever
17	24 154 01	1	Clip, inlet needle valve
18	24 462 01	1	Valve, inlet needle
19	24 086 09	4	Screw, carburetor body

Ref. No.	Part No.	Qty.	Description
20	24 041 09	1	Gasket, carburetor body
21	24 153 02	2	O-Ring, slow jet
22	24 337 01	1	Jet, slow
23	24 757 02	1	Kit, float repair
24	24 337 02	1	Jet, main
25	24 089 10	1	Spring, idle adjust screw
26	24 086 10	1	Screw, idle adjusting
27	24 757 01	1	Kit, solenoid (Includes 28-33)
28	24 153 06	1	O-Ring
29	24 521 01	1	Seat, solenoid
30	24 153 05	1	O-Ring
31	24 153 04	1	O-Ring
32	24 435 01	1	Solenoid
33	24 086 07	2	Screw, solenoid
34	24 368 01	1	Needle, idle
35	24 089 11	1	Spring, idle needle
	24 757 03	1	Not Illustrated Kit, carburetor repair

Obtain Parts from Your Local Kohler Dealer. Kohler Engine No. CH20S-64583



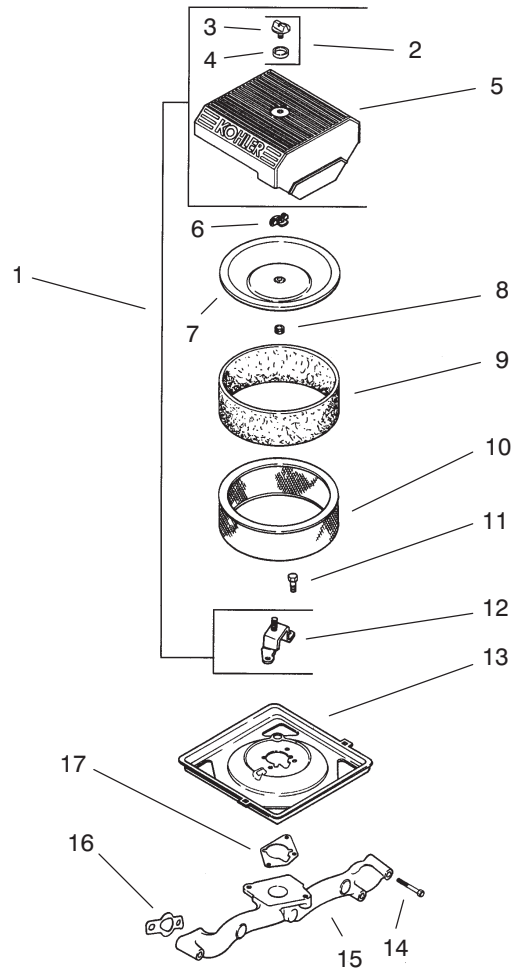
Sheet No.:

Group 9 – Engine Control Assembly

Ref. No.	Part No.	Qty.	Description
1	M-0547050	1	Nut, hex. lock
2	24 089 03	1	Spring, choke return
3	M-0645016	4	Screw, hex. flange
4	24 126 56	3	Bracket, control
6	24 090 07	1	Lever, throttle actuator
7	12 237 01	2	Clamp, cable
8	M-0545016	2	Screw, hex. flange (On: 73542 Only)
8	98-7374	2	Screw, torx (On: 73570 Only)
9	24 090 03	1	Lever, throttle control
10	M-0446030	1	Nut, hex
11	M-0401030	1	Screw, hex. cap
12	24 079 02	1	Linkage, choke
13	24 090 05	1	Lever, choke
14	41 468 03	1	Washer, spring
15	M-0545020	1	Screw, hex. flange
16	24 089 15	1	Spring, governor
17	SM-0642025	1	Screw, hex. flange
18	24 090 14	1	Lever, governor
19	M-0641060	1	Nut, hex. flange
20	24 089 01	1	Spring, linkage
21	25 158 08	1	Bushing, linkage retaining
22	24 079 01	1	Linkage, throttle

Ref. No.	Part No.	Qty.	Description
23	25 158 11	1	Bushing, linkage retaining

Obtain Parts from Your Local Kohler Dealer. Kohler Engine No. CH20S-64583

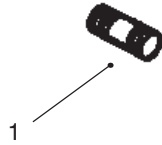


Sheet No.:

Group 10 – Air Intake/Filtration Assembly

Ref. No.	Part No.	Qty.	Description	Ref. No.	Part No.	Qty.	Description
1	24 743 05	1	Kit, air cleaner cover (Includes 2-5, 12)				
2	54 755 01	1	Kit, knob with sea (Includes 3,4)				
3	25 341 03	1	Knob, cover				
4	24 153 15	1	Seal, air cleaner cover knob				
5	24 096 24	1	Cover, air cleaner				
6	12 100 01	1	Wing Nut				
7	24 096 01	1	Cover, inner air cleaner				
8	24 032 03	1	Seal, inner air cleaner				
9	24 083 02	1	Precleaner, element				
10	47 083 03	1	Element, air cleaner				
11	M-0639016	3	Screw, hex. flange				
12	24 126 21	1	Bracket, air cleaner base				
13	24 094 03	1	Base, air cleaner				
14	M-0651055	4	Screw, hex. flange				
15	24 164 14	1	Manifold, intake				
16	24 041 01	2	Gasket, intake manifold				
17	24 041 06	1	Gasket, air cleaner base				

Obtain Parts from Your Local Kohler Dealer. Kohler Engine No. CH20S-64583



Sheet No.:

Group 11 – Exhaust Assembly

Ref. No.	Part No.	Qty.	Description
1	25 072 04	4	Stud
	24 782 01		Not Illustrated Miniblock
	24 755 03		Gasket Set

Ref. No.	Part No.	Qty.	Description

Obtain Parts from Your Local Kohler Dealer. Kohler Engine No. CH20S-64583

