



# Groundsmaster<sup>®</sup> 4100-D

## Traction Unit

Model No. 30411—230000001 and Up

## Parts Catalog

---

### Ordering Replacement Parts

To order replacement parts, please supply: the part number, the quantity, and the description of each part desired.

### Understanding Reference Numbers

Each identified part in an illustration has a reference number. The reference number for a part also appears in the parts list, along with other information about the part.

This catalog uses two special reference number formats, one to indicate parts in a service assembly and another to indicate the quantity of a given part in an illustration.

### Service Assembly Reference Numbers

Parts in service assemblies have reference numbers in the form **a:b**. The **a** represents the reference number of the entire service assembly and the **b** represents a sequential number unique to each part within the service assembly.

For example, a wheel assembly might be identified by reference number **6**, the tire by **6:1**, the valve by **6:2**, and the wheel by **6:3**. When you order the assembly identified by reference number **6**, you receive all parts identified by reference numbers **6:1**, **6:2**, and **6:3**. However, you may also order any part individually.

Reference numbers of this type appear in illustrations and in part lists.

### Reference Numbers Indicating Quantity

In an illustration, if a reference number indicates more than one part, the reference number has the form **nX y**. The **n** represents the quantity of the part, the **X** is the multiplication symbol, and the **y** represents the reference number.

For example, in an illustration, the reference number **2X 37** means that two of the parts identified by reference number **37** are indicated.

## Contents

Description	Page	Description	Page
Frame and Bumper Assembly .....	4	Differential Assembly	
4 Wheel Drive Manifold Assembly No. 100-3054	5	Rear Axle Assembly	
Rear Axle and Tire Assembly .....	6	No. 100-3784 (Continued) .....	56
Piston Motor Assembly No. 104-0764 .....	7	Axle Support Assembly	
Steering Cylinder .....	8	Rear Axle Assembly	
Front Frame Assembly .....	9	No. 100-3784 (Continued) .....	57
Planetary Assembly No. 105-4588-03 .....	11	Bevel Gear Case Assembly	
Brake Assembly No. 100-3069 .....	12	Rear Axle Assembly	
Front Piston Motor Assembly No. 105-7376 ..	13	No. 100-3784 (Continued) .....	58
Power Take Off Manifold		Bevel Gear Shaft Assembly	
Assembly No. 106-2039 .....	14	Rear Axle Assembly	
Brake Assembly No. 100-3070 .....	15	No. 100-3784 (Continued) .....	59
Power Take Off Manifold		Axle Case Assembly	
Assembly No. 100-3055 .....	16	Rear Axle Assembly	
Power Take Off Manifold		No. 100-3784 (Continued) .....	60
Assembly No. 105-4562 .....	17	Axle Assembly	
Platform and Seat Base Assembly .....	18	Rear Axle Assembly	
Steering Tower Assembly .....	19	No. 100-3784 (Continued) .....	61
Steering Valve Assembly No. 104-2213 .....	21	Center Deck Assembly .....	62
Traction Pedal and Linkage Assembly .....	22	Low Driven Spindle Assembly No. 104-3532 ..	64
Brake Pedal and Linkage Assembly .....	23	Hydraulic Lift Cylinder Assembly No. 105-7342	65
Tool Box Assembly .....	24	High Driven Spindle Assembly No. 104-3531 ..	66
Control Console Assembly .....	26	Break Away Link Assembly .....	67
Control Valve Assembly No. 69-1780 .....	28	Castor Fork Assembly .....	69
Valve Assembly No. 104-0788 .....	29	Spindle Assembly .....	70
Fuel Tank, Battery and		Deck Cover Assembly .....	71
Roll Over Protection System Assembly .....	30	Rear Discharge Baffle Assembly .....	72
Front Deck Lift Arm and Cylinder Assembly ...	31	Electrical Schematic .....	73
Hydraulic Lift Cylinder Assembly No. 105-7341	33	Hydraulic Schematic .....	74
Gear Motor Assembly No. 99-5489 .....	34	Crankcase Assembly .....	75
Hood Assembly .....	35	Oil Pan Assembly .....	76
Air Cleaner and Muffler Assembly .....	36	Cylinder Head Assembly .....	77
Air Cleaner Assembly No. 99-5410 .....	37	Gear Case Assembly .....	78
Water/Fuel Filter Assembly No. 98-9305 .....	38	Head Cover Assembly .....	79
Radiator and Oil Cooler Assembly .....	39	Oil Filter Assembly .....	80
Engine and Mount Assembly .....	41	Dipstick and Guide Assembly .....	81
Fan Drive and Flywheel Assembly .....	42	Oil Pump Assembly .....	82
Hydraulic Reservoir and Filter Assembly .....	43	Breather Assembly .....	83
Filter Manifold Assembly No. 100-5558 .....	44	Main Bearing Case .....	84
Pump and Filter Installation Assembly .....	45	Camshaft and Idler Gear Shaft Assembly .....	85
Pump Assembly No. 105-7377 .....	46	Piston and Crankshaft Assembly .....	86
Gear Pump Assembly No. 105-7378 .....	47	Flywheel Assembly .....	87
Piston Pump Assembly No. 105-4567 .....	48	Fuel Camshaft and Governor Shaft Assembly .	88
Control Assembly No. 93-6306 .....	50	Engine Stop Lever Assembly .....	89
Hydraulic Plumbing Assembly .....	51	Injection Pump Assembly .....	90
Power Take Off Hydraulic Assembly .....	52	Injection Pump Component Parts Assembly ...	91
Lift Arm Hydraulic Assembly .....	53	Governor Assembly .....	92
Steering Hydraulic Assembly .....	54	Speed Control Plate Assembly .....	93
Bevel Pinion Shaft Assembly		Nozzle Holder and Glow Plug Assembly .....	94
Rear Axle Assembly No. 100-3784 .....	55	Fuel Filter and Fuel Pump .....	95
		Alternator and Pulley Assembly .....	96
		Alternator Component Parts Assembly .....	97
		Starter Assembly .....	98

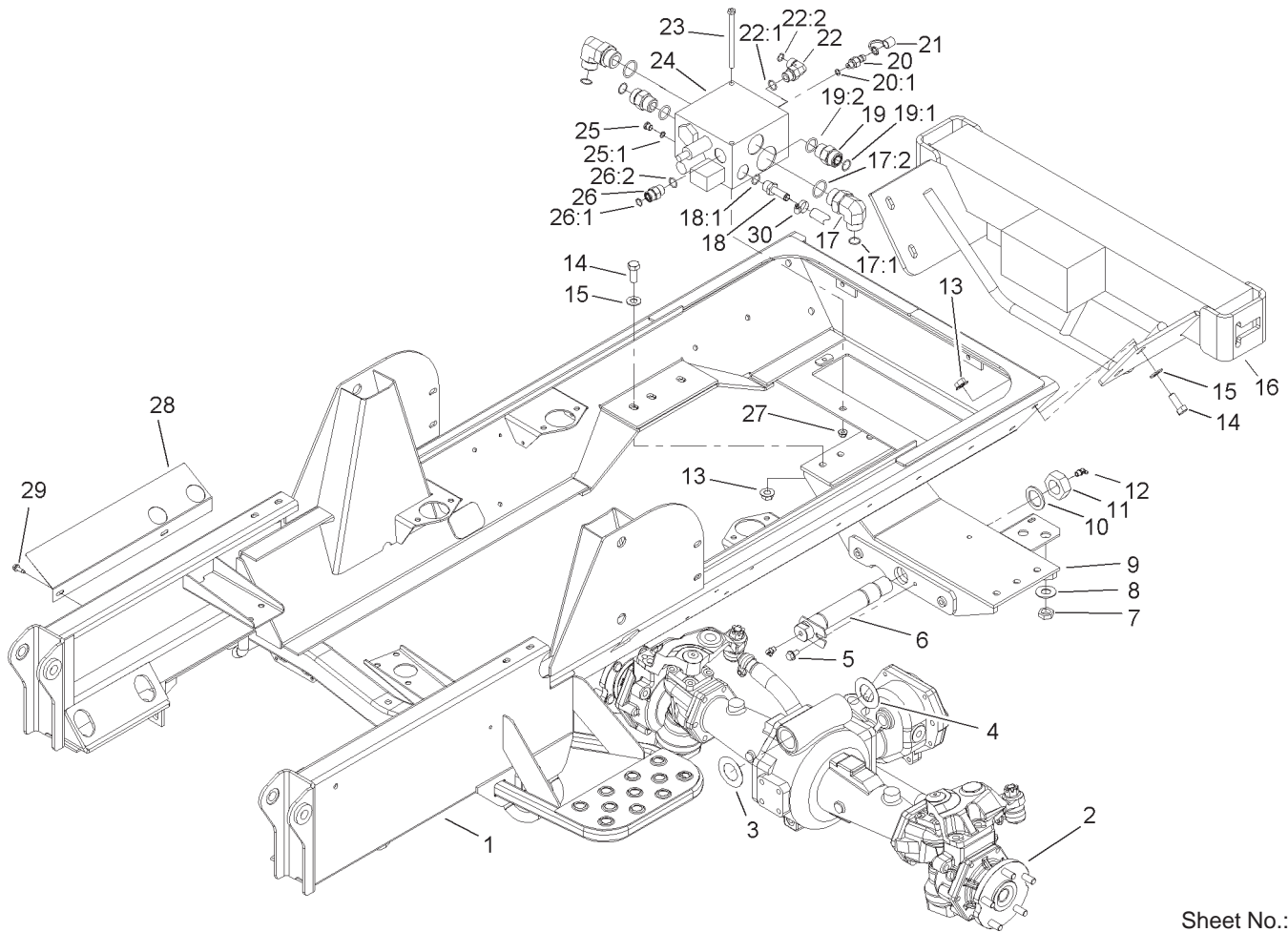
## Contents (Continued)

<b>Description</b>	<b>Page</b>	<b>Description</b>	<b>Page</b>
Starter Component Parts Assembly .....	99	Exhaust Manifold Assembly .....	107
Oil Switch / Thermometer and Plug Assembly .	100	Turbo Charger Assembly .....	108
Water Flange and Thermostat Assembly .....	101	Oil Pipe (Turbo Charger) Assembly .....	109
Water Pump Assembly .....	102	Oil Cooler Assembly .....	110
Water Pipe Assembly .....	103	Muffler Gasket and Glow Controller .....	111
Fan Assembly .....	104	Engine Operator's Manual .....	112
Valve and Rocker Arm Assembly .....	105	Gasket Kit .....	113
Inlet Manifold Assembly .....	106		

## Part Description Abbreviations

Part descriptions in this catalog may include the following abbreviations.

<b>Abbreviation</b>	<b>Meaning</b>	<b>Abbreviation</b>	<b>Meaning</b>
AR .....	as required	HYD .....	hydraulic
ASM .....	assembly	INC .....	incorporated
CARR .....	carriage	LH .....	left hand
DEG .....	degrees	NI .....	nylon insert
FH .....	flat head	PPH .....	Phillips pan head
GA .....	gauge	PTH .....	Phillips truss head
HF .....	hex flange	PTO .....	power take off
HH .....	hex head	RH .....	right hand
HHF .....	hex head flange	SFH .....	slotted fillister head
HLH .....	hex lag head	SHH .....	slotted hex head
HJ .....	hex jam	SQH .....	square head
HOC .....	height-of-cut	SHWH .....	slotted hex washer head
HS .....	hex socket	SPH .....	slotted pan head
HSBH .....	hex socket button head	SRH .....	slotted round head
HSFH .....	hex socket flat head	STD .....	standard
HSH .....	hex socket head	TAP .....	self tapping
HWH .....	hex washer head	TTH .....	Torx truss head
HWHTF .....	hex washer head thread forming	WH .....	wing head

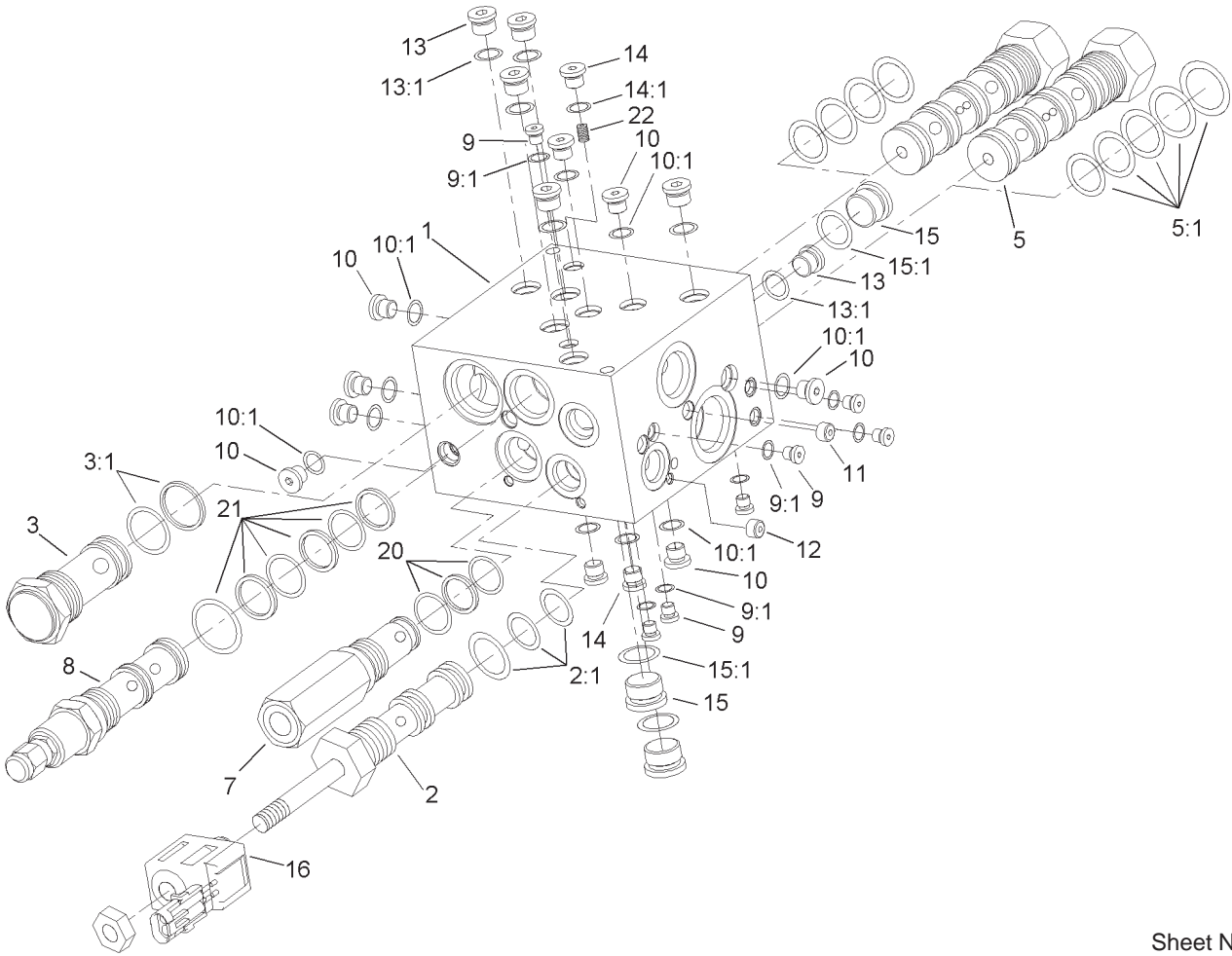


Sheet No.:2

## Frame and Bumper Assembly

Ref. No.	Part No.	Qty.	Description
1	105-7310-03	1	Frame ASM
2	100-3784	1	Drive Axle ASM
3	99-8431	1	Washer-Thrust
4	99-8432	1	Washer-Thrust
5	32144-14	1	Screw-HWH
6	98-7077	1	Pin-Axle, Rear
7	340-70	2	Nut-Lock
8	69-8940	2	Washer
9	106-4265-03	1	Rear Mount ASM
10	92-1765	1	Washer-Thrust
11	3296-68	1	Nut-Lock, NI
12	302-33	2	Fitting-Grease
13	32128-23	10	Nut-HF
14	325-5	10	Screw-HH
15	3256-26	10	Washer-Flat
16	106-4278-03	1	Bumper ASM
17	340-15	2	Fitting-HYD, 90°
17:1	237-58	1	O-Ring
17:2	237-146	1	O-Ring
18	354-121	1	Fitting-HYD, Straight
18:1	237-79	1	O-Ring
19	340-9	2	Fitting-HYD, Straight
19:1	237-58	1	O-Ring
19:2	237-81	1	O-Ring
20	354-77	1	Fitting-Quick
20:1	237-78	1	O-Ring

Ref. No.	Part No.	Qty.	Description
21	354-79	1	Cap-Dust
22	340-98	1	Fitting-HYD, 90°
22:1	237-79	1	O-Ring
22:2	237-30	1	O-Ring
23	322-29	2	Screw-HH
24	100-3054	1	Manifold ASM
25	353-990	1	Plug
25:1	237-78	1	O-Ring
26	340-4	1	Fitting-HYD, Sraight
26:1	237-30	1	O-Ring
26:2	237-79	1	O-Ring
27	104-8300	2	Nut-Flange, NI
28	104-3562-03	1	Shield-Splash
29	32104-95	2	Screw-HWH
30	2412-36	1	Clamp-Hose



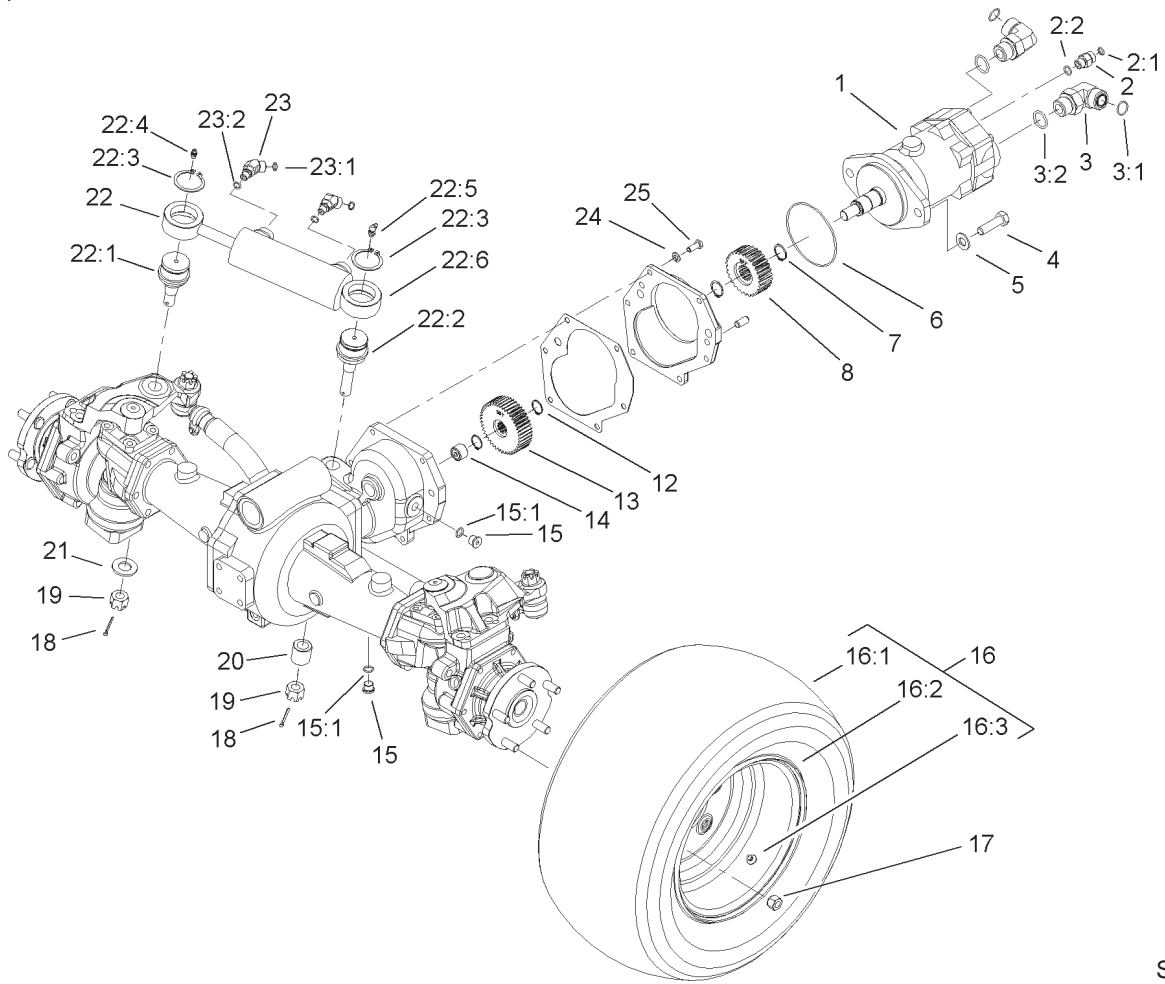
Sheet No.:A1

## 4 Wheel Drive Manifold Assembly No. 100-3054

Ref. No.	Part No.	Qty.	Description
☆1		1	Manifold
2	104-8603	1	Valve-Solenoid
2:1	99-5505	1	Seal Kit
3	104-8604	1	Valve-Check
3:1	99-5506	1	Seal Kit
5	104-8605	2	Valve-Control
5:1	99-5507	1	Seal Kit
7	99-5508	1	Valve-Relief
8	99-5509	1	Valve-Reducing
9	353-991	7	Plug-Hex, Hollow
9:1	237-156	1	O-Ring
10	354-137	8	Plug
10:1	237-86	1	O-Ring
☆11		5	Plug-Expander
☆12		5	Plug-Expander
13	353-989	6	Plug-Hex, Hollow
13:1	237-42	1	O-Ring
14	353-990	3	Plug
14:1	237-78	1	O-Ring
15	354-70	3	Plug-Hex, Hollow
15:1	237-80	1	O-Ring
16	104-4264	1	Coil-Solenoid
20	99-5503	1	Seal Kit
21	104-4266	1	Seal Kit
22	106-6766	1	Plug-Orifice

Ref. No.	Part No.	Qty.	Description

☆ Not serviced separately



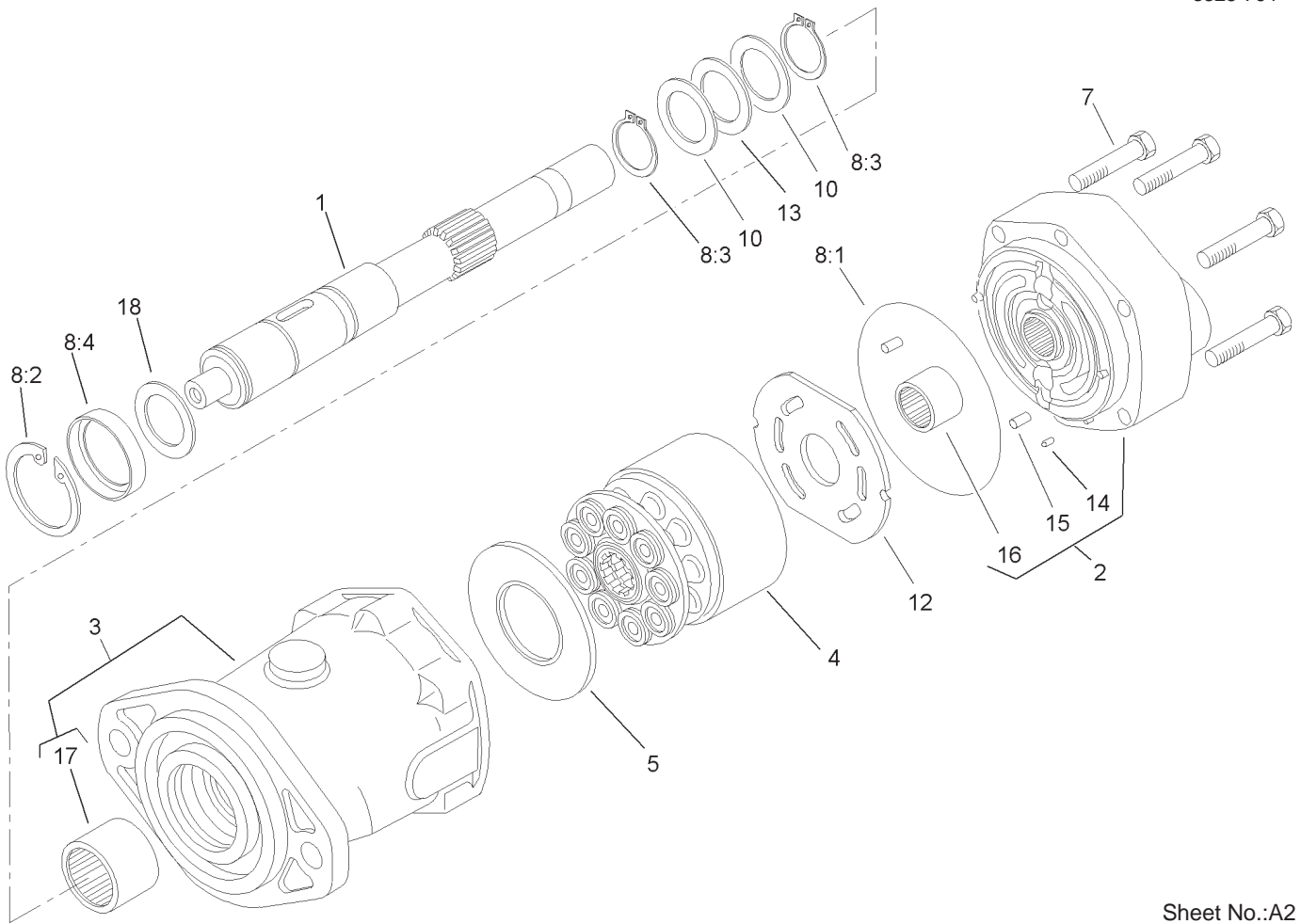
Sheet No.:3

## Rear Axle and Tire Assembly

Ref. No.	Part No.	Qty.	Description
1	104-0764	1	Motor-Piston
2	340-2	1	Fitting-HYD, Straight
2:1	237-22	1	O-Ring
2:2	237-42	1	O-Ring
3	340-142	2	Fitting-HYD, 90°
3:1	237-58	1	O-Ring
3:2	237-81	1	O-Ring
4	325-7	2	Screw-HH
5	3256-26	2	Washer-Flat
6	237-166	1	O-Ring
7	32120-76	2	Ring-Snap, Ext
8	105-7447	1	Pinion-33t
12	32120-15	2	Ring-Snap, Ext
13	105-7446	1	Gear-39t
14	74-5700	1	Bearing-Needle, Roller
15	353-989	2	Plug-Hex, Hollow
15:1	237-42	1	O-Ring
★16		2	Wheel And Tire ASM
16:1	94-5236	1	Tire
16:2	100-2582	1	Rim
16:3	232-27	1	Stem-V valve
17	93-5268	10	Nut-Lug
18	3272-12	2	Pin-Cotter
19	32136-14	2	Nut-SHH
20	100-3796	1	Spacer-Joint, Ball

Ref. No.	Part No.	Qty.	Description
21	92-5836	1	Washer
22	105-0775	1	Steering Cylinder ASM
22:1	92-5838	1	Joint-Ball
22:2	100-3795	1	Joint-Ball
22:3	32151-104	2	Ring-Retaining, External
22:4	302-5	1	Fitting-Grease
22:5	302-60	1	Fitting-Grease
★22:6		1	Cylinder-Steering
23	340-54	2	Elbow-45°
23:1	237-22	1	O-Ring
23:2	237-78	1	O-Ring
24	3253-4	6	Washer-Lock
25	33114-020	6	Screw-HH

★ Not serviced separately



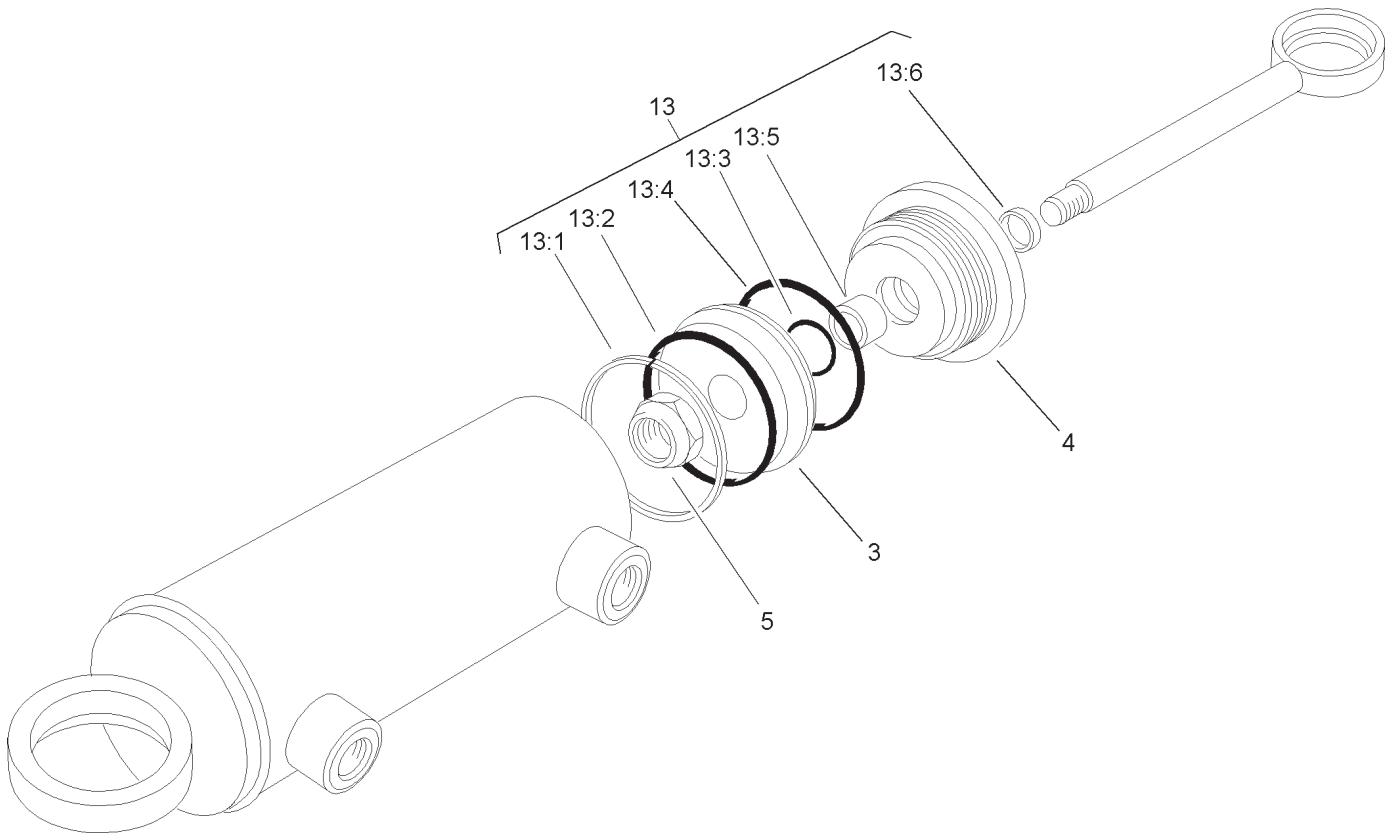
Sheet No.:A2

## Piston Motor Assembly No. 104-0764

Ref. No.	Part No.	Qty.	Description
1	105-2853	1	Shaft-Drive
2	105-2854	1	Backplate ASM
3	105-2855	1	Housing ASM
4	76-6910	1	Rotating Kit
5	76-6970	1	Insert-Plate, Cam
7	94-3002	6	Capscrew
8	106-6876	1	Seal Kit
☆8:1		1	O-Ring
8:2	93-6360	1	Ring-Retaining
8:3	76-7000	2	Ring-Retaining
☆8:4		1	Seal-Shaft
10	76-6950	2	Race-Thrust
12	94-3003	1	Plate-V alve
13	76-6960	1	Bearing-Thrust
☆14		3	Pin-Dowel
☆15		1	Pin-Dowel
☆16		1	Bearing-Needle
☆17		1	Bearing-Needle
18	60-6240	1	Washer

Ref. No.	Part No.	Qty.	Description

☆ Not serviced separately



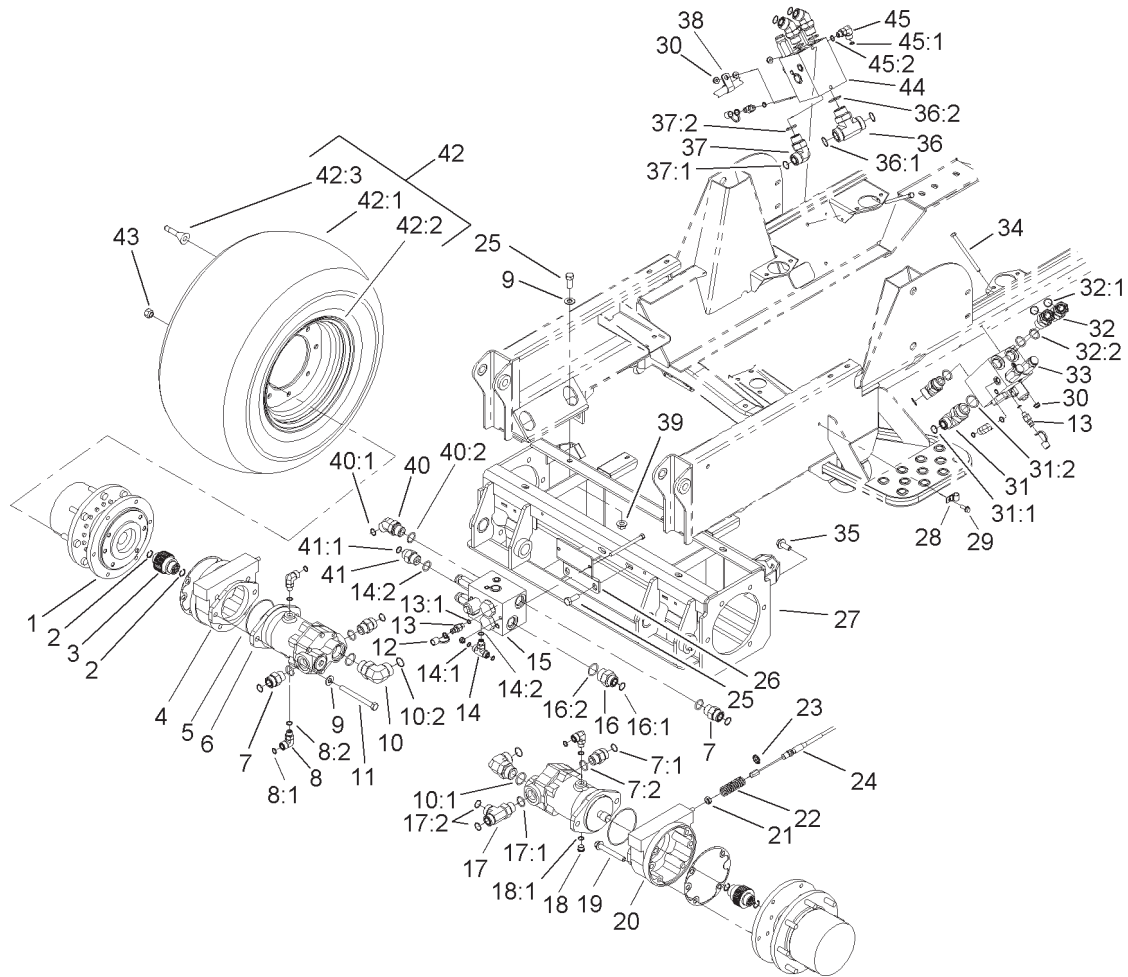
Sheet No.:A3

## Steering Cylinder

Ref. No.	Part No.	Qty.	Description
3	66-1940	1	Piston
4	92-6588	1	Gland
5	66-1930	1	Locknut
13	92-6593	1	Seal Kit
☆13:1		1	Seal
☆13:2		1	O-Ring
☆13:3		1	O-Ring
☆13:4		1	O-Ring
☆13:5		1	U-Cup
☆13:6		1	Wiper

Ref. No.	Part No.	Qty.	Description

☆ Not serviced separately

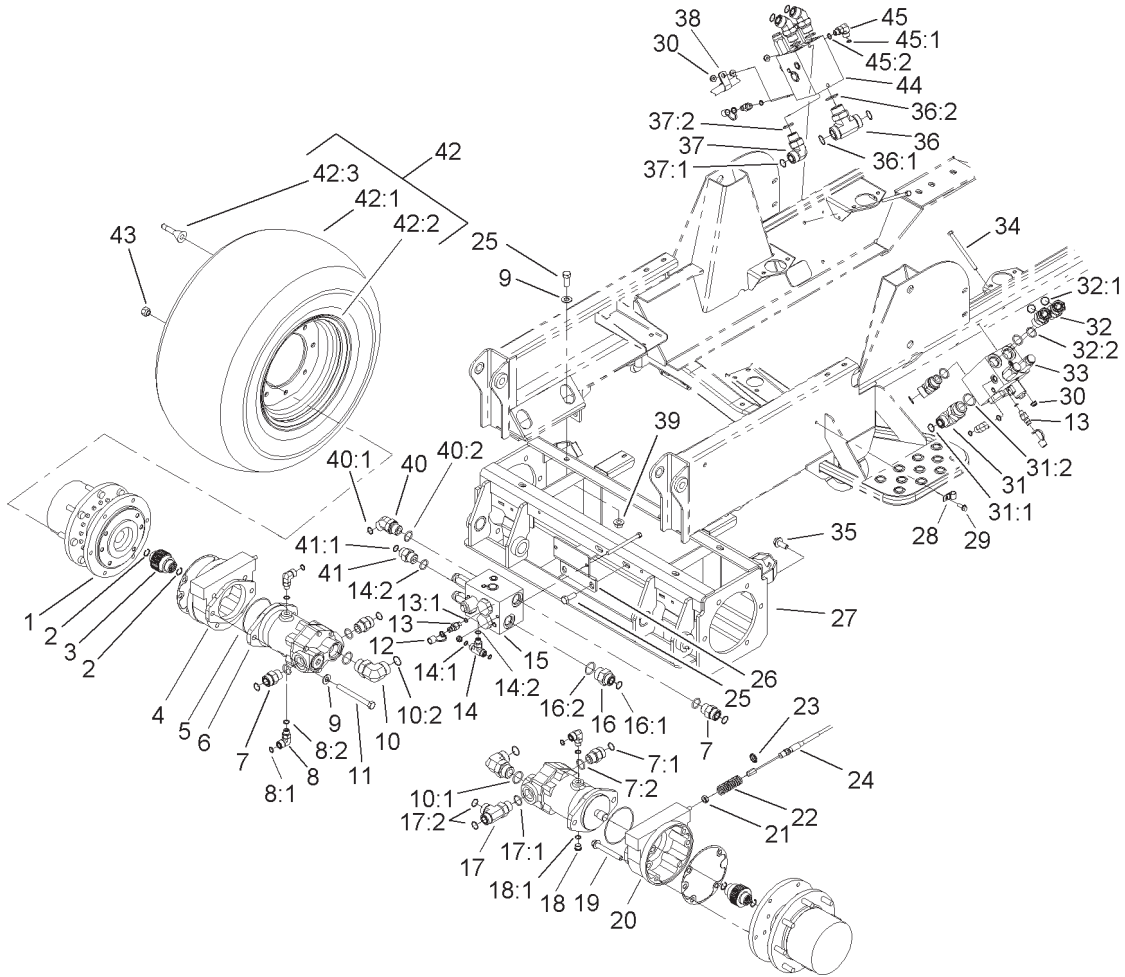


Sheet No.:4

## Front Frame Assembly

Ref. No.	Part No.	Qty.	Description
1	105-4588-03	2	Planetary ASM
2	93-7972	4	Ring-Retaining, Internal
3	100-3046	2	Shaft-Brake, Splined
4	100-3069	1	Brake ASM
5	237-166	2	O-Ring
6	105-7376	2	Front Piston Motor ASM
7	340-9	4	Fitting-HYD, Straight
7:1	237-58	1	O-Ring
7:2	237-81	1	O-Ring
8	340-99	3	Fitting-HYD-90
8:1	237-30	1	O-Ring
8:2	237-42	1	O-Ring
9	3256-26	10	Washer-Flat
10	340-129	2	Fitting-HYD, 90°
10:1	237-146	1	O-Ring
10:2	340-65	1	O-Ring
11	33116-120	4	Screw-HH
12	354-79	3	Cap-Dust
13	354-77	3	Fitting-Quick
13:1	237-78	1	O-Ring
14	340-94	1	Adapter
14:1	237-22	2	O-Ring
14:2	237-42	1	O-Ring
15	106-2039	1	PTO Manifold ASM

Ref. No.	Part No.	Qty.	Description
16	340-91	1	Adapter
16:1	237-58	1	O-Ring
16:2	237-146	1	O-Ring
17	340-148	1	Fitting-Tee
17:1	237-81	1	O-Ring
17:2	237-58	2	O-Ring
18	353-989	1	Plug-Hex, Hollow
18:1	237-42	1	O-Ring
19	33106-090	8	Screw-HHF
20	100-3070	1	Brake ASM
21	3218-4	2	Nut-Jam
22	94-3088	2	Spring-Compression
23	94-3050	2	Plate-Spring
24	99-5501	2	Brake Cable ASM
25	325-6	6	Screw-HH
26	104-0746-03	1	Bracket-Manifold
27	105-7491-03	1	Front Frame ASM
28	2412-93	2	Clamp-R
29	32144-1 1	2	Screw-T AP
30	104-8300	7	Nut-Flange, NI
31	340-15	1	Fitting-HYD, 90°
31:1	237-58	1	O-Ring
31:2	237-146	1	O-Ring
32	100-5530	5	Fitting-HYD, 45°
32:1	237-58	1	O-Ring
32:2	237-81	1	O-Ring



Sheet No.:4

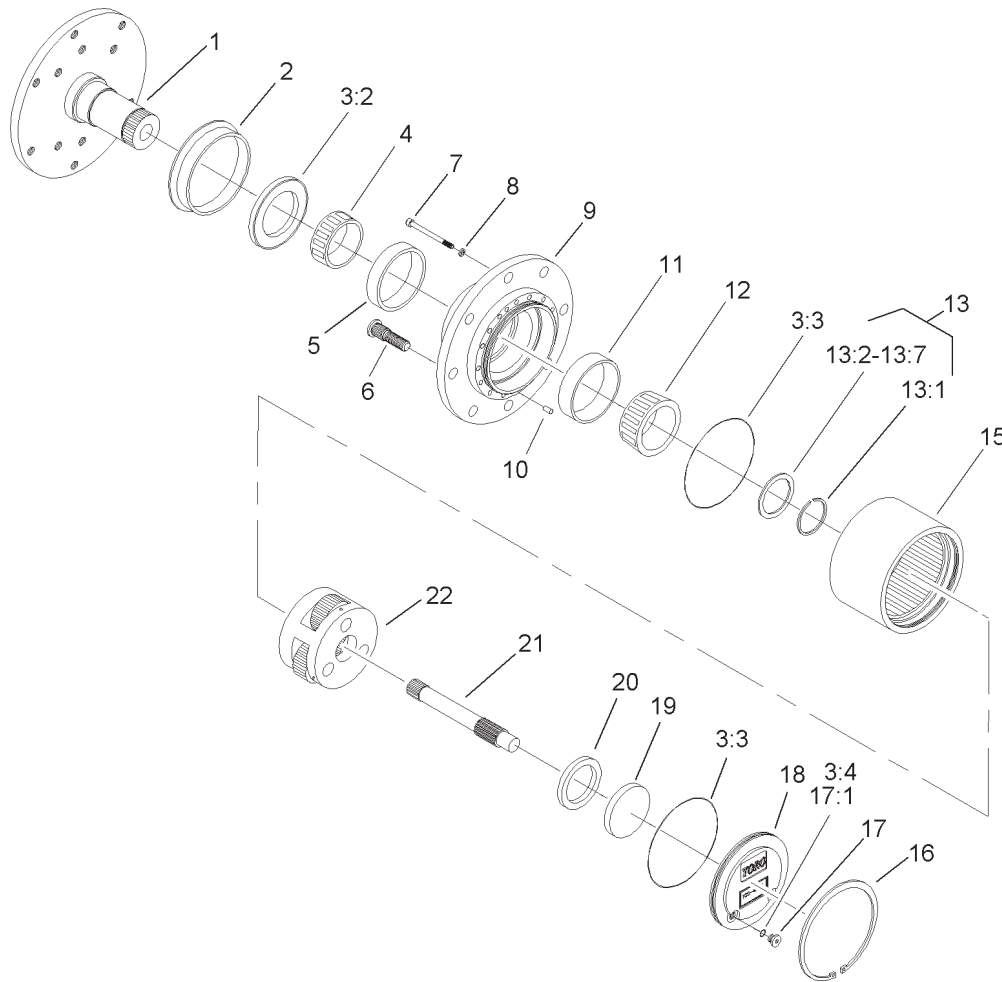
## Front Frame Assembly (Continued)

Ref. No.	Part No.	Qty.	Description
33	100-3055	1	PTO Manifold ASM
34	322-38	6	Screw-HH
35	33106-030	12	Screw-HHF
36	104-7501	1	Fitting-HYD
36:1	340-65	2	O-Ring
36:2	237-146	1	O-Ring
37	340-142	1	Fitting-HYD, 90°
37:1	237-58	1	O-Ring
37:2	237-81	1	O-Ring
38	2412-81	1	Clamp-R
39	32128-23	8	Nut-HF
40	340-156	1	Fitting-HYD
40:1	237-65	1	O-Ring
40:2	237-81	1	O-Ring
41	340-8	1	Adapter
41:1	237-65	1	O-Ring
41:2	237-81	1	O-Ring
☆42		2	Tire & Wheel ASM
42:1	99-5434	1	Tire
42:2	99-5432	1	Rim
42:3	232-27	1	Stem-V alve
43	242-50	16	Nut-Lug
44	105-4562	1	PTO Manifold ASM
45	340-77	2	Fitting-HYD, 90°
45:1	237-22	1	O-Ring

Ref. No.	Part No.	Qty.	Description
45:2	237-42	1	O-Ring
*46	3290-379	3	Tie-Cable

☆ Not serviced separately

\* Not illustrated



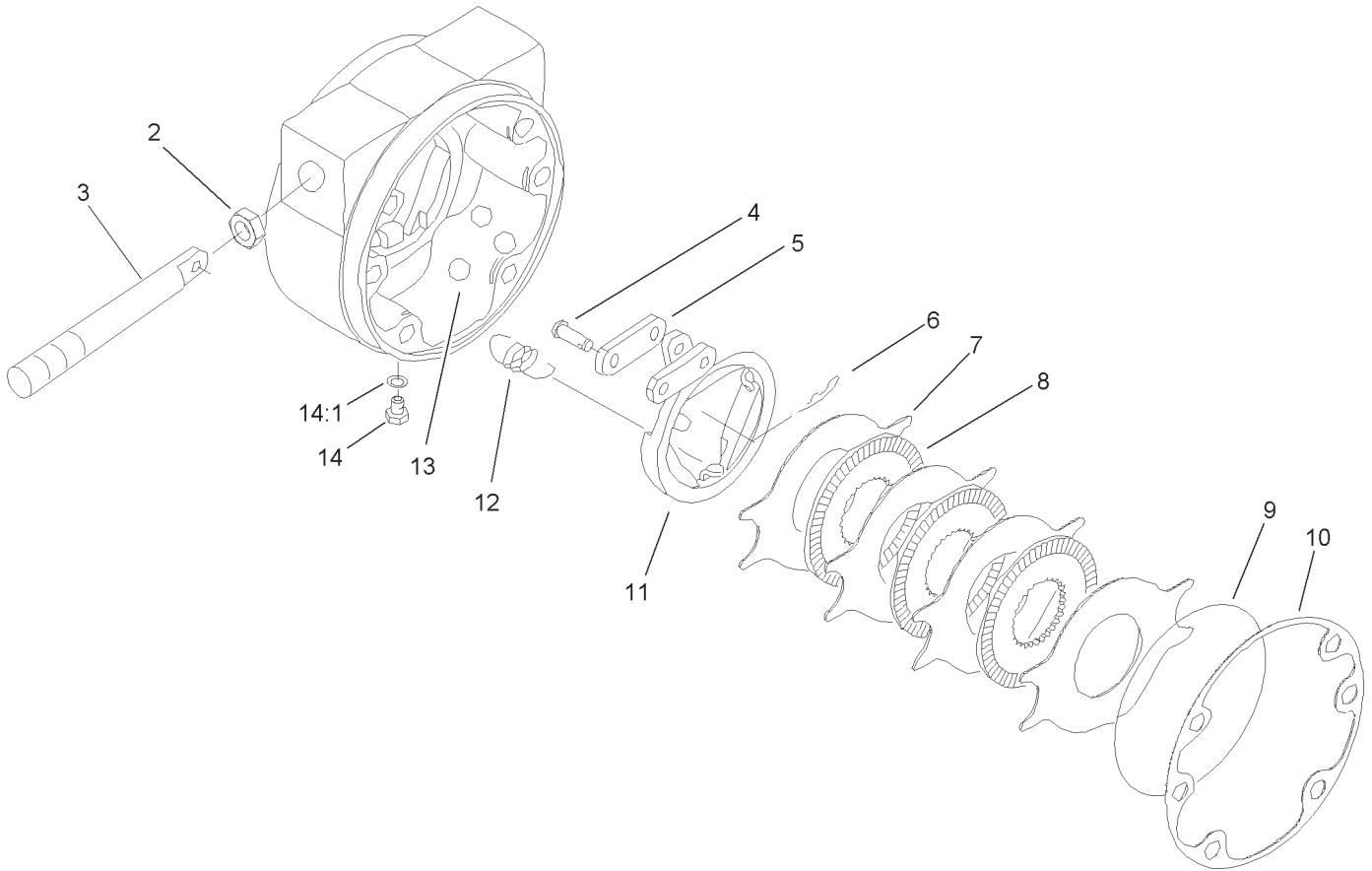
Sheet No.:A4

## Planetary Assembly No. 105-4588-03

Ref. No.	Part No.	Qty.	Description
☆1		1	Spindle
2	105-8122	1	Seal-Boot
3	105-8137	1	Seal Kit
☆3:2		1	Seal-Oil
☆3:3		2	O Ring-End Cap
3:4	237-78	2	O-Ring
4	105-8120	1	Bearing-Cone
5	105-81 19	1	Bearing-Cup
6	105-8124	8	Stud-Wheel
7	105-8125	16	Bolt-Head, Socket
8	3253-18	16	Washer-Lock/Sp
☆9		1	Housing
10	105-8121	2	Pin-Dowel
11	105-81 17	1	Bearing-Cup
12	105-81 18	1	Bearing-Cone
13	105-8136	1	Part Kit
☆13:1		1	Ring-Snap
☆13:2		1	Shim-Bearing, 2.9mm
☆13:3		1	Shim-Bearing, 2.8mm
☆13:4		1	Shim-Bearing, 2.7mm
☆13:5		1	Shim-Bearing, 2.6mm
☆13:6		1	Shim-Bearing, 2.5mm
☆13:7		1	Shim-Bearing, 2.4mm
15	105-81 13	1	Gear-Ring
16	105-8132	1	Ring-Retaining
17	353-990	2	Plug

Ref. No.	Part No.	Qty.	Description
17:1	237-78	1	O-Ring
18	105-8138	1	Cap-End
19	105-8135	1	Plug-Thrust
20	106-6864	1	Washer-Thrust
21	105-81 16	1	Shaft-Drive
22	106-6865	1	Secondary Carrier ASM

☆ Not serviced separately

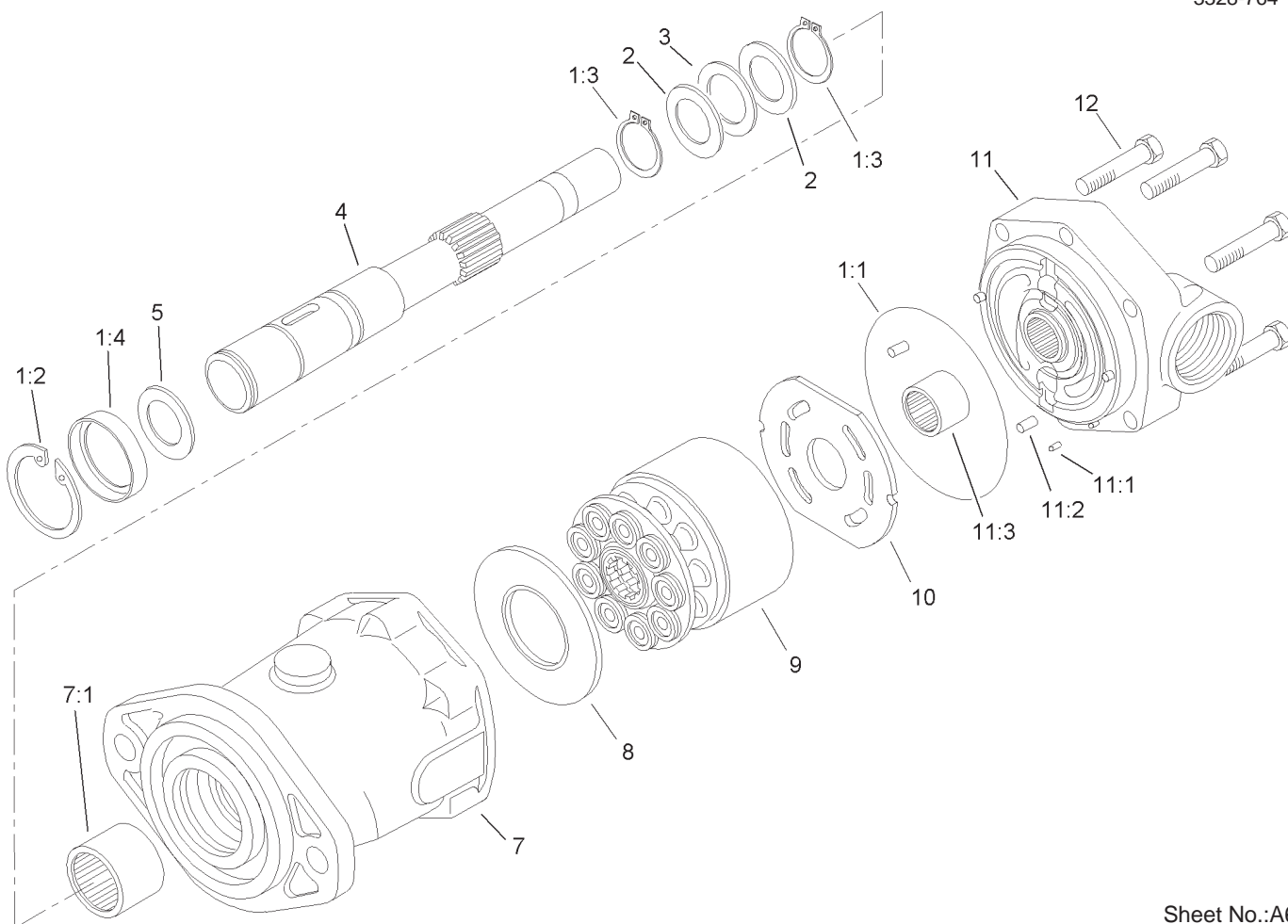


Sheet No.:A5

### Brake Assembly No. 100-3069

Ref. No.	Part No.	Qty.	Description
2	93-7977	1	Seal
3	93-7978	1	Rod-Pull
4	93-7983	2	Pin-Clevis
5	93-7980	2	Link
6	93-7979	2	Pin-Hitch
7	93-7986	4	Disc-Stationary
8	104-4278	3	Disc-Rotating
9	93-7976	1	Ring-Retaining
10	93-7984	1	Gasket
11	104-4280	1	Actuator-Rotating
12	93-7987	3	Spring-Extension
13	93-7985	3	Ball
14	353-990	2	Plug
14:1	237-78	1	O-Ring

Ref. No.	Part No.	Qty.	Description



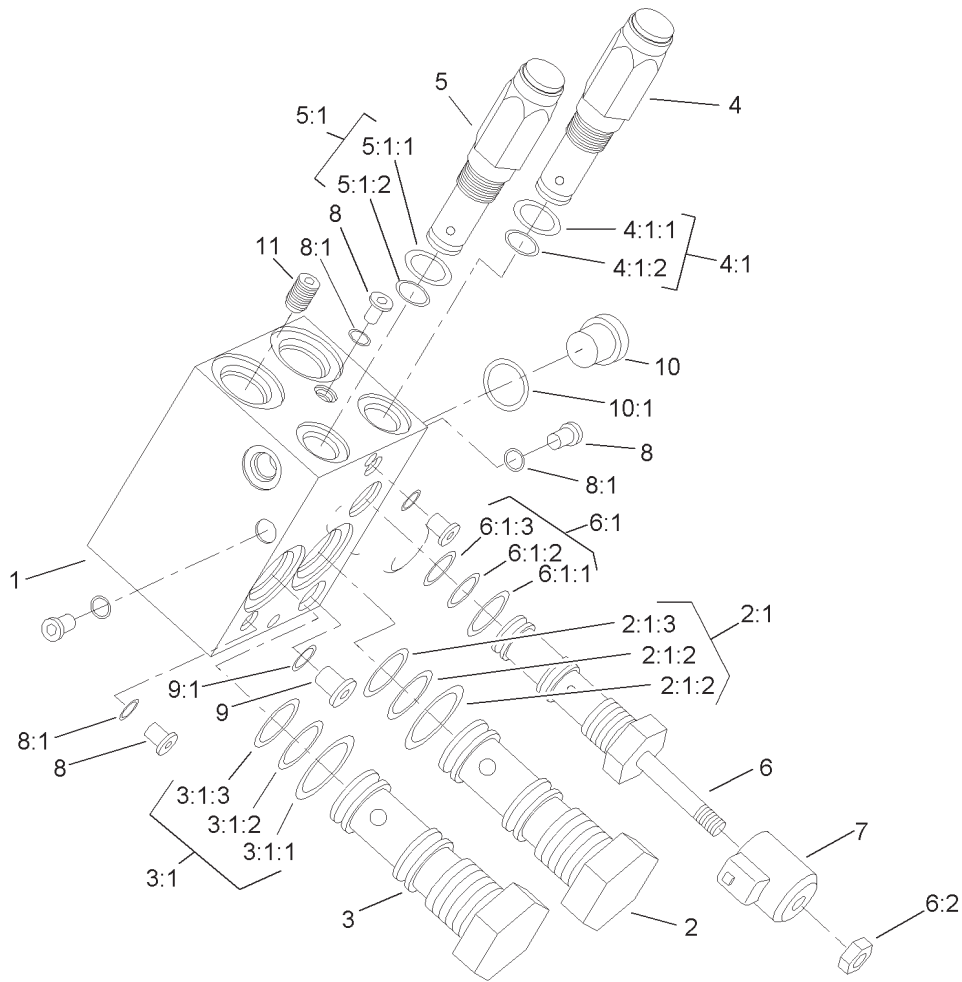
Sheet No.:A6

## Front Piston Motor Assembly No. 105-7376

Ref. No.	Part No.	Qty.	Description
1	106-6876	1	Seal Kit
★1:1		1	O-Ring
1:2	93-6360	1	Ring-Retaining
1:3	76-7000	2	Ring-Retaining
★1:4		1	Seal-Shaft
2	60-6160	2	Race
3	76-6960	1	Bearing-Thrust
4	106-6874	1	Shaft-Drive
5	60-6240	1	Washer
7	105-2852	1	Housing ASM
★7:1		1	Bearing-Needle
8	76-6970	1	Insert-Plate, Cam
9	106-6875	1	Rotating Kit
10	94-3003	1	Plate-V alve
11	105-2851	1	Backplate ASM
★11:1		3	Pin-Dowel
★11:2		1	Pin-Dowel
★11:3		1	Bearing-Needle
12	100-2550	6	Screw-Cap

Ref. No.	Part No.	Qty.	Description

★ Not serviced separately



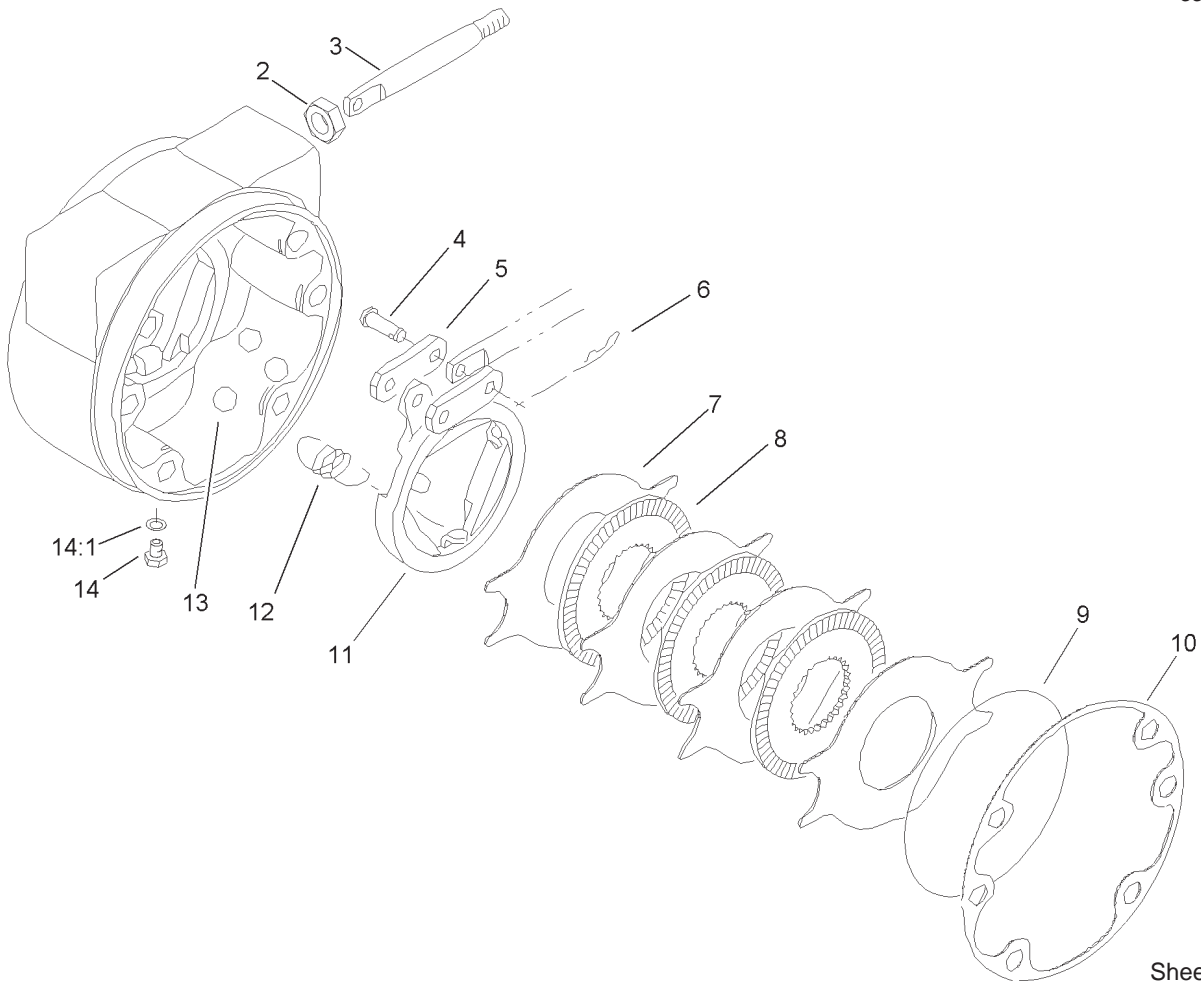
Sheet No.:A7

## Power Take Off Manifold Assembly No. 106-2039

Ref. No.	Part No.	Qty.	Description
☆1		1	Body
2	104-4297	1	Cartridge-Spool Logic
2:1	95-5644	2	Seal Kit
☆2:1:1		1	O-Ring
☆2:1:2		1	O-Ring
☆2:1:3		1	O-Ring
3	104-4298	1	Cartridge-Spool Logic
3:1	95-5644	2	Seal Kit
☆3:1:1		1	O-Ring
☆3:1:2		1	O-Ring
☆3:1:3		1	O-Ring
4	95-5635	1	Valve-Relief
4:1	95-5645	1	Seal Kit
☆4:1:1		1	O-Ring
☆4:1:2		1	O-Ring
5	104-4273	1	Cartridge-Relief, Pilot
5:1	95-5645	1	Seal Kit
☆5:1:1		1	O-Ring
☆5:1:2		1	O-Ring
6	95-5638	1	Valve-Solenoid
6:1	95-5917	1	Seal Kit
☆6:1:1		1	O-Ring
☆6:1:2		1	O-Ring
☆6:1:3		1	O-Ring
6:2	3220-4	1	Nut-Jam
7	105-7340	1	Coil ASM

Ref. No.	Part No.	Qty.	Description
8	353-991	5	Plug-Hex, Hollow
8:1	237-156	1	O-Ring
9	353-990	1	Plug
9:1	237-78	1	O-Ring
10	353-988	1	Plug-Hex, Hollow
10:1	237-79	1	O-Ring
11	3246-17	1	Setscrew-HSH

☆ Not serviced separately

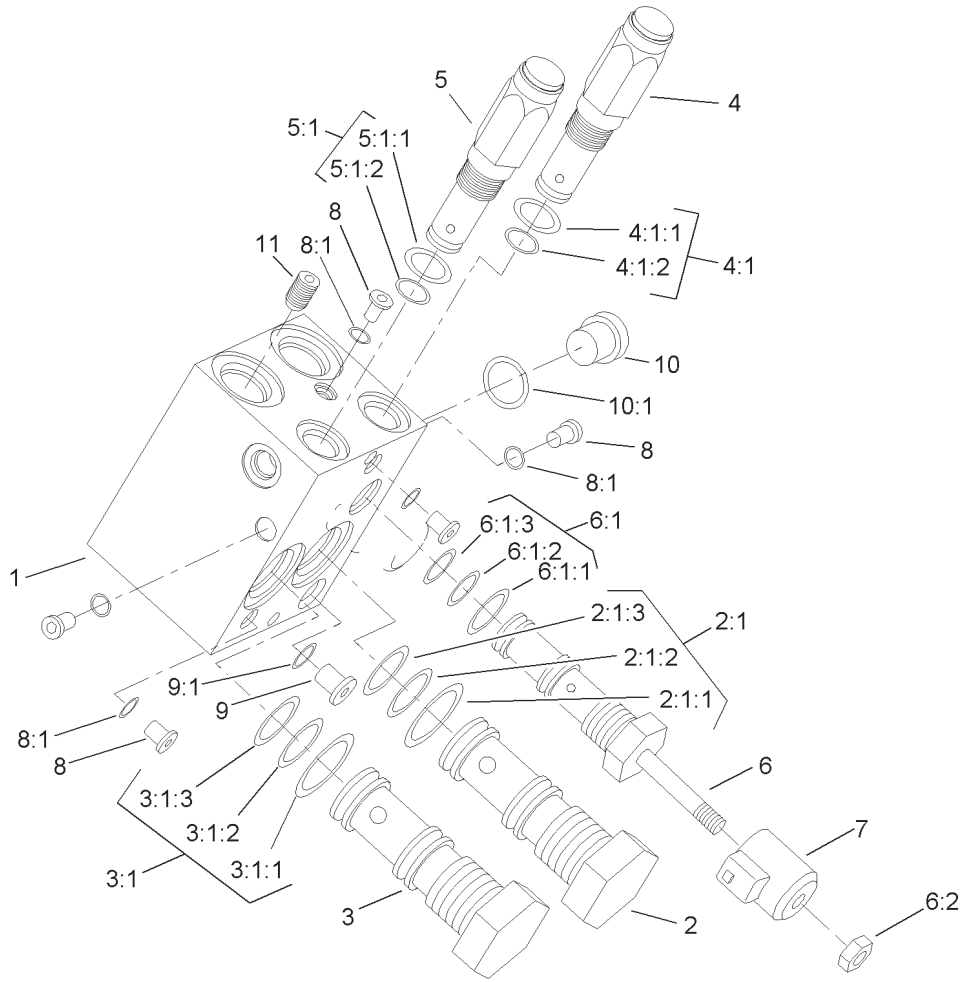


Sheet No.:A8

### Brake Assembly No. 100-3070

Ref. No.	Part No.	Qty.	Description
2	93-7977	1	Seal
3	93-7978	1	Rod-Pull
4	93-7983	2	Pin-Clevis
5	93-7980	2	Link
6	93-7979	2	Pin-Hitch
7	93-7986	4	Disc-Stationary
8	104-4278	3	Disc-Rotating
9	93-7976	1	Ring-Retaining
10	93-7984	1	Gasket
11	104-4279	1	Actuator-Rotating
12	93-7987	3	Spring-Extension
13	93-7985	3	Ball
14	353-990	2	Plug
14:1	237-78	1	O-Ring

Ref. No.	Part No.	Qty.	Description



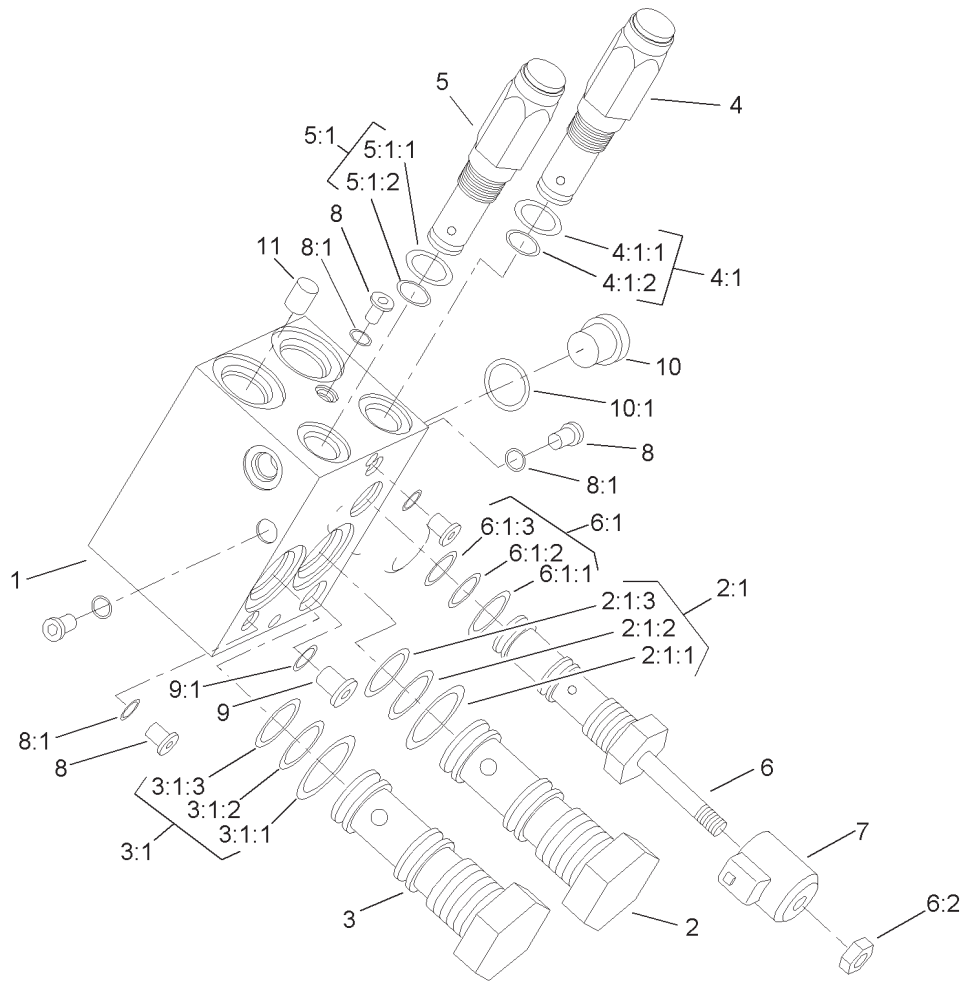
Sheet No.:A9

## Power Take Off Manifold Assembly No. 100-3055

Ref. No.	Part No.	Qty.	Description
☆1		1	Body
2	104-4297	1	Cartridge-Spool Logic
2:1	95-5644	2	Seal Kit
☆2:1:1		1	O-Ring
☆2:1:2		1	O-Ring
☆2:1:3		1	O-Ring
3	104-4298	1	Cartridge-Spool Logic
3:1	95-5644	2	Seal Kit
☆3:1:1		1	O-Ring
☆3:1:2		1	O-Ring
☆3:1:3		1	O-Ring
4	95-5635	1	Valve-Relief
4:1	95-5645	2	Seal Kit
☆4:1:1		1	O-Ring
☆4:1:2		1	O-Ring
5	104-4273	1	Cartridge-Relief, Pilot
5:1	95-5645	2	Seal Kit
☆5:1:1		1	O-Ring
☆5:1:2		1	O-Ring
6	95-5638	1	Valve-Solenoid
6:1	95-5917	1	Seal Kit
☆6:1:1		1	O-Ring
☆6:1:2		1	O-Ring
☆6:1:3		1	O-Ring
6:2	3220-4	1	Nut-Jam
7	105-7340	1	Coil ASM

Ref. No.	Part No.	Qty.	Description
8	353-991	5	Plug-Hex, Hollow
8:1	237-156	1	O-Ring
9	353-990	1	Plug
9:1	237-78	1	O-Ring
10	353-988	1	Plug-Hex, Hollow
10:1	237-79	1	O-Ring
11	104-4276	1	Plug-Orifice

☆ Not serviced separately



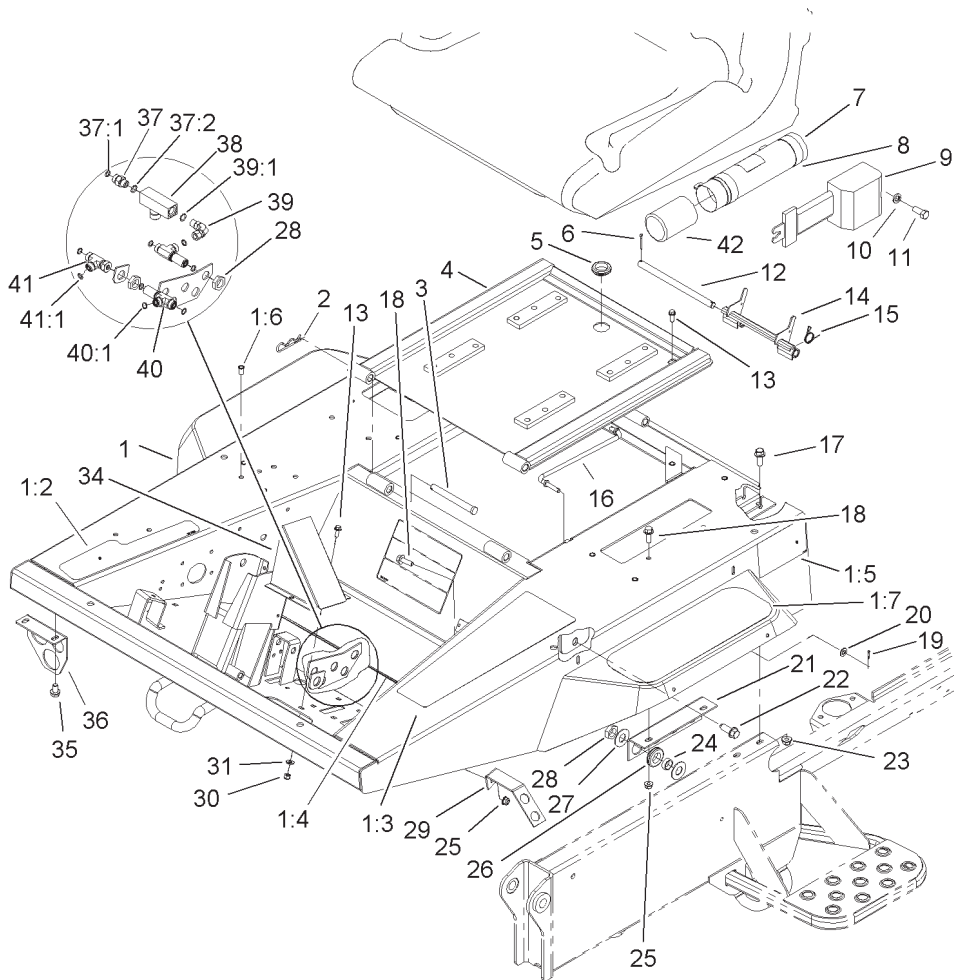
Sheet No.:B1

## Power Take Off Manifold Assembly No. 105-4562

Ref. No.	Part No.	Qty.	Description
☆1		1	Body
2	104-4297	1	Cartridge-Spool Logic
2:1	95-5644	2	Seal Kit
☆2:1:1		1	O-Ring
☆2:1:2		1	O-Ring
☆2:1:3		1	O-Ring
3	104-4298	1	Cartridge-Spool Logic
3:1	95-5644	2	Seal Kit
☆3:1:1		1	O-Ring
☆3:1:2		1	O-Ring
☆3:1:3		1	O-Ring
4	105-4564	1	Valve-Relief
4:1	95-5645	2	Seal Kit
☆4:1:1		1	O-Ring
☆4:1:2		1	O-Ring
5	104-4273	1	Cartridge-Relief, Pilot
5:1	95-5645	2	Seal Kit
☆5:1:1		1	O-Ring
☆5:1:2		1	O-Ring
6	95-5638	1	Valve-Solenoid
6:1	95-5917	1	Seal Kit
☆6:1:1		1	O-Ring
☆6:1:2		1	O-Ring
☆6:1:3		1	O-Ring
6:2	3220-4	1	Nut-Jam
7	105-7340	1	Coil ASM

Ref. No.	Part No.	Qty.	Description
8	353-991	5	Plug-Hex, Hollow
8:1	237-156	1	O-Ring
9	353-990	1	Plug
9:1	237-78	1	O-Ring
10	353-988	1	Plug-Hex, Hollow
10:1	237-79	1	O-Ring
11	104-4276	1	Plug-Orifice

☆ Not serviced separately

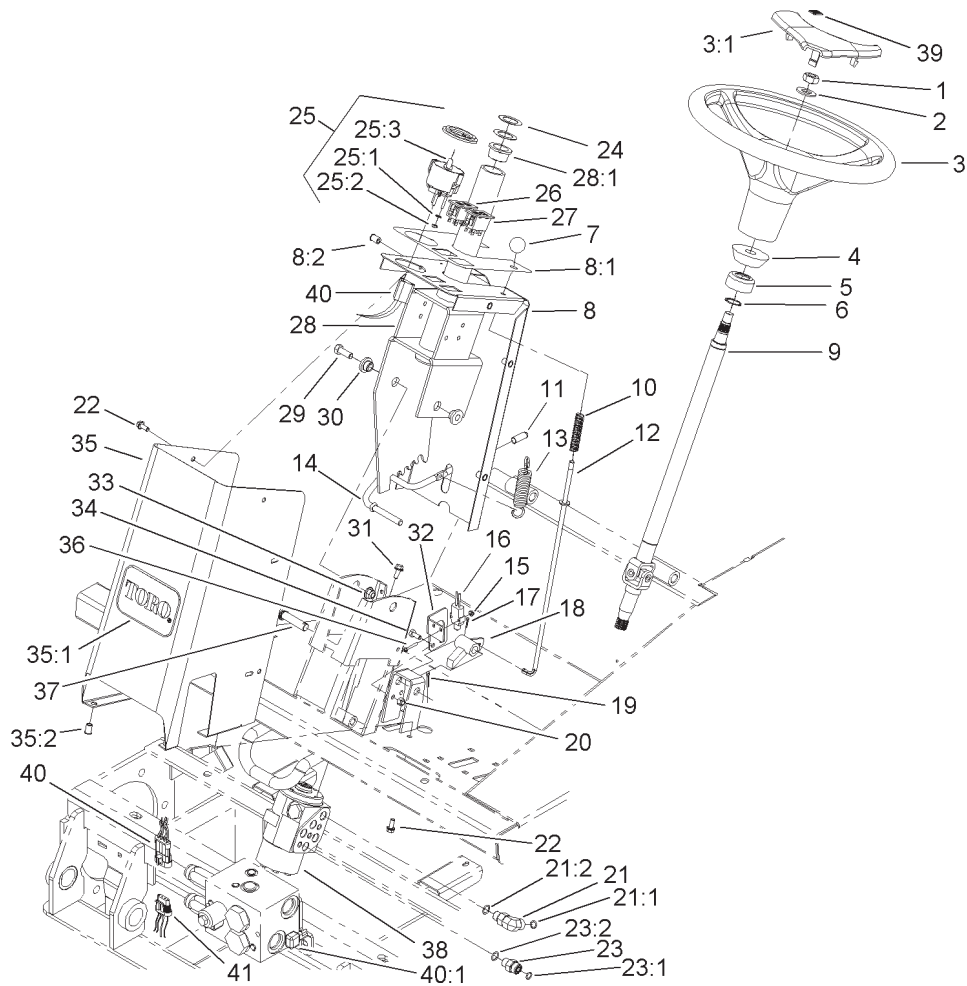


Sheet No.:5

## Platform and Seat Base Assembly

Ref. No.	Part No.	Qty.	Description
1	105-7350	1	Platform ASM
1:2	104-3599	1	Decal-Pedal, Traction
1:3	93-5507	1	Abrasive-Platform
1:4	93-5349	2	Abrasive-Floor
1:5	94-8099	2	Decal-4wd
1:6	32148-6	14	Insert-Nut
1:7	105-7375	1	Abrasive-Platform
2	3290-355	2	Pin-Hair
3	93-5343	2	Pin-Clevis
4	100-3060-03	1	Seat Plate ASM
5	240-5	1	Grommet
6	3272-1 1	2	Pin-Cotter
7	104-7050	1	Housing-Manual
8	2412-133	2	R-Clamp
9	100-4928	1	Belt-Seat
10	3253-6	2	Washer-Lock
11	3212-4	2	Screw-HH
12	93-5366	1	Shaft-Latch
13	3234-4	3	Screw-HHF
14	93-5363	1	Latch ASM
15	93-5367	1	Spring-Torsion
16	93-5338	1	Rod-Prop
17	3234-42	2	Screw-HHF
18	3234-29	3	Screw-HHF
19	3272-5	2	Pin-Cotter
20	3256-23	2	Washer-Flat

Ref. No.	Part No.	Qty.	Description
21	100-3149-03	1	Bracket-Bulkhead
22	32144-67	2	Screw
23	104-8301	2	Nut-Flange, NI
24	69-8970	4	Spacer
25	104-8300	3	Nut-Flange, NI
26	240-4	4	Grommet-Rubber
27	69-8940	8	Washer
28	340-70	6	Nut-Lock
29	100-5500-03	1	Support
30	3296-42	2	Nut-Lock, NI
31	3256-22	2	Washer-Flat
34	100-3045-01	1	Cover-Tubes
35	32144-14	4	Screw-HWH
36	105-7373-01	1	Bracket-Bulkhead, LH
36	105-7489-01	1	Bracket-Bulkhead, RH
37	340-2	1	Fitting-HYD, Straight
37:1	237-22	1	O-Ring
37:2	237-42	1	O-Ring
38	98-9742	1	Valve-Control, Flow
39	340-1 10	1	Fitting-Swivel, 90°
39:1	237-42	1	O-Ring
40	340-68	2	Fitting-Tee, Bulkhead
40:1	237-22	3	O-Ring
41	340-1 15	1	Fitting-Tee
41:1	237-22	2	O-Ring
42	104-7048	1	Cap-Housing

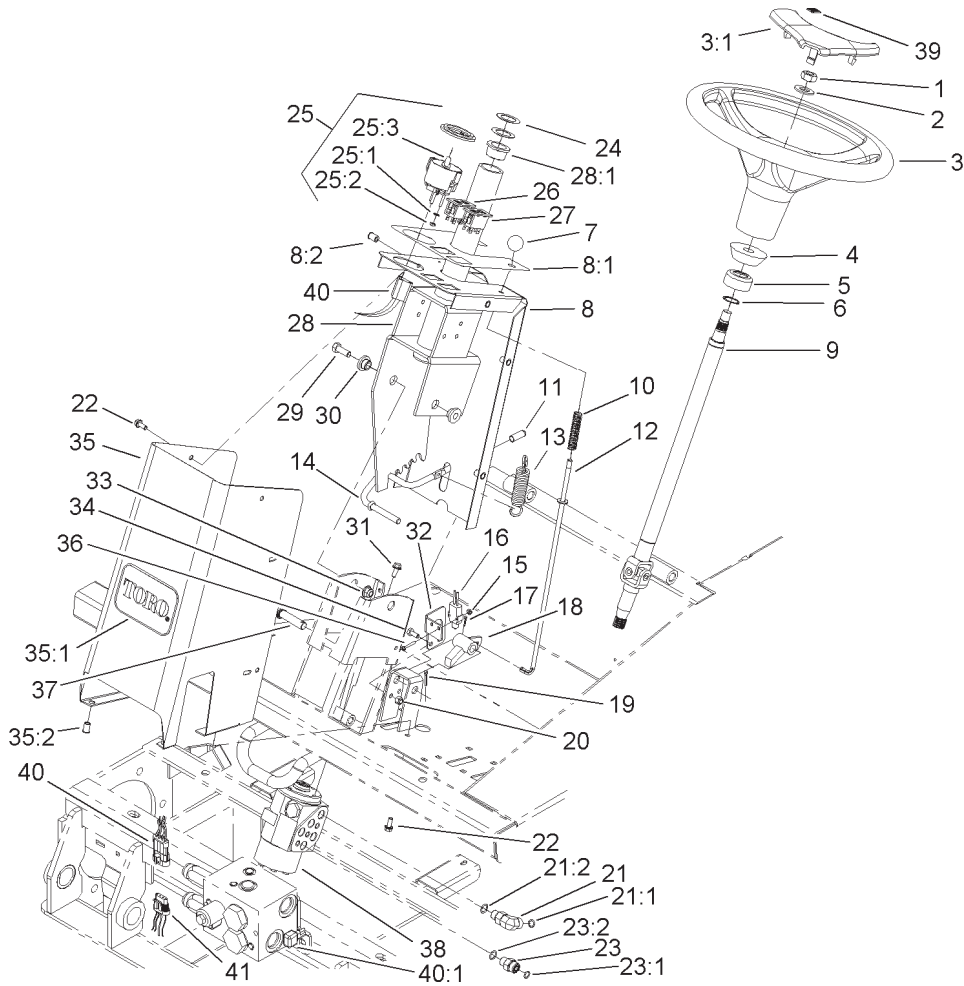


Sheet No.:6

## Steering Tower Assembly

Ref. No.	Part No.	Qty.	Description
1	93-5590	1	Nut-Hex
2	3256-27	1	Washer-Flat
3	98-1471	1	Wheel-Steering
3:1	98-1468	1	Cover-Wheel, Steering
4	93-5429	1	Collar-Foam
5	93-5439	1	Seal-Steering
6	32151-29	2	Ring-Retaining
7	93-5312	1	Knob
8	104-2274	1	Tower Cover ASM
8:1	104-2277	1	Decal-Tower
8:2	32148-6	6	Insert-Nut
9	93-5428	1	Steering Shaft ASM
10	71-8310	1	Spring-Compression
11	93-5446	1	Cap-Vinyl
12	104-8308	1	Rod ASM
13	93-5985	1	Spring-Extension
14	93-5989	1	Rod-Tilt
15	3296-9	2	Nut-Lock, NI
16	99-3410	1	Switch
17	3272-5	1	Pin-Cotter
18	93-5276-03	1	Brake Pawl ASM
19	3272-10	1	Pin-Cotter
20	3296-42	2	Nut-Lock, NI
21	340-77	1	Fitting-HYD, 90°
21:1	237-22	1	O-Ring

Ref. No.	Part No.	Qty.	Description
21:2	237-42	1	O-Ring
22	3234-33	10	Screw-HHF
23	340-2	4	Fitting-HYD, Straight
23:1	237-22	1	O-Ring
23:2	237-42	1	O-Ring
24	256-260	4	Washer-Thrust
25	98-9308	1	Gauge-Temperature
25:1	3254-1	3	Washer-Lock, Int
25:2	3217-27	3	Nut-Hex
25:3	105-9265	1	Bulb And Lamp ASM
26	100-8070	1	Lamp-Warning
27	100-8071	1	Lamp-Warning
28	104-8332	1	Steering Column ASM
28:1	256-132	2	Bushing-Flange
29	323-6	2	Screw-HH
30	93-5988	2	Hub-Pivot
31	33103-016	4	Screw-HHF
32	104-0128	1	Bracket-Switch
33	104-8301	2	Nut-Flange, NI
34	321-3	2	Screw-HH
35	100-3038	1	Steering Tower ASM
35:1	67-1300	1	Decal
35:2	32148-6	4	Insert-Nut
36	3250-35	2	Screw-PPH
37	283-5	1	Pin-Clevis
38	104-2213	1	Valve-Steering

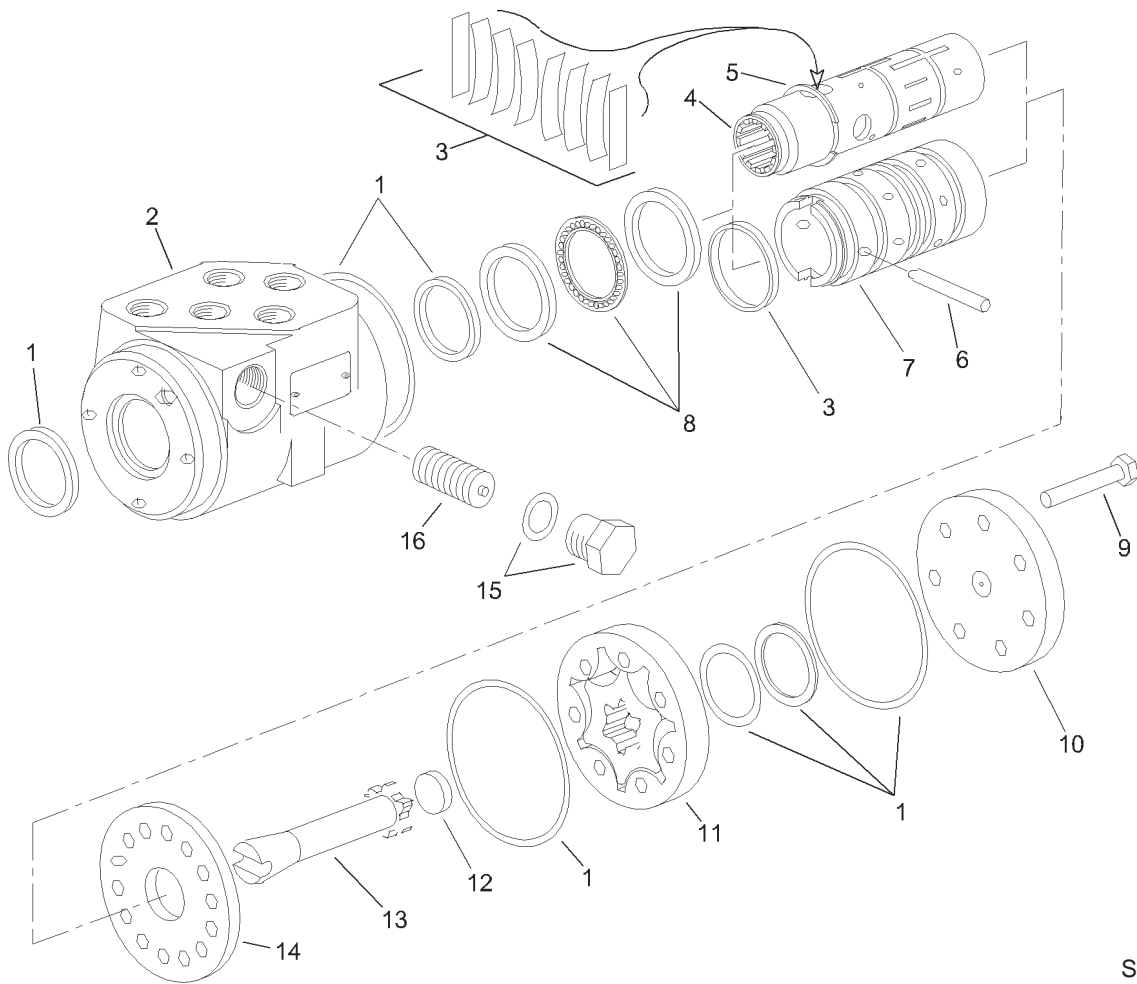


Sheet No.:6

### Steering Tower Assembly (Continued)

Ref. No.	Part No.	Qty.	Description	Ref. No.	Part No.	Qty.	Description
39	98-1459	1	Decal				
40	105-7476	1	Harness-Wire, Front				
40:1	100-4918	1	Diode				
41	106-7160	1	Harness-Wire, Jumper				
*41:1	100-4918	1	Diode				

\* Not illustrated



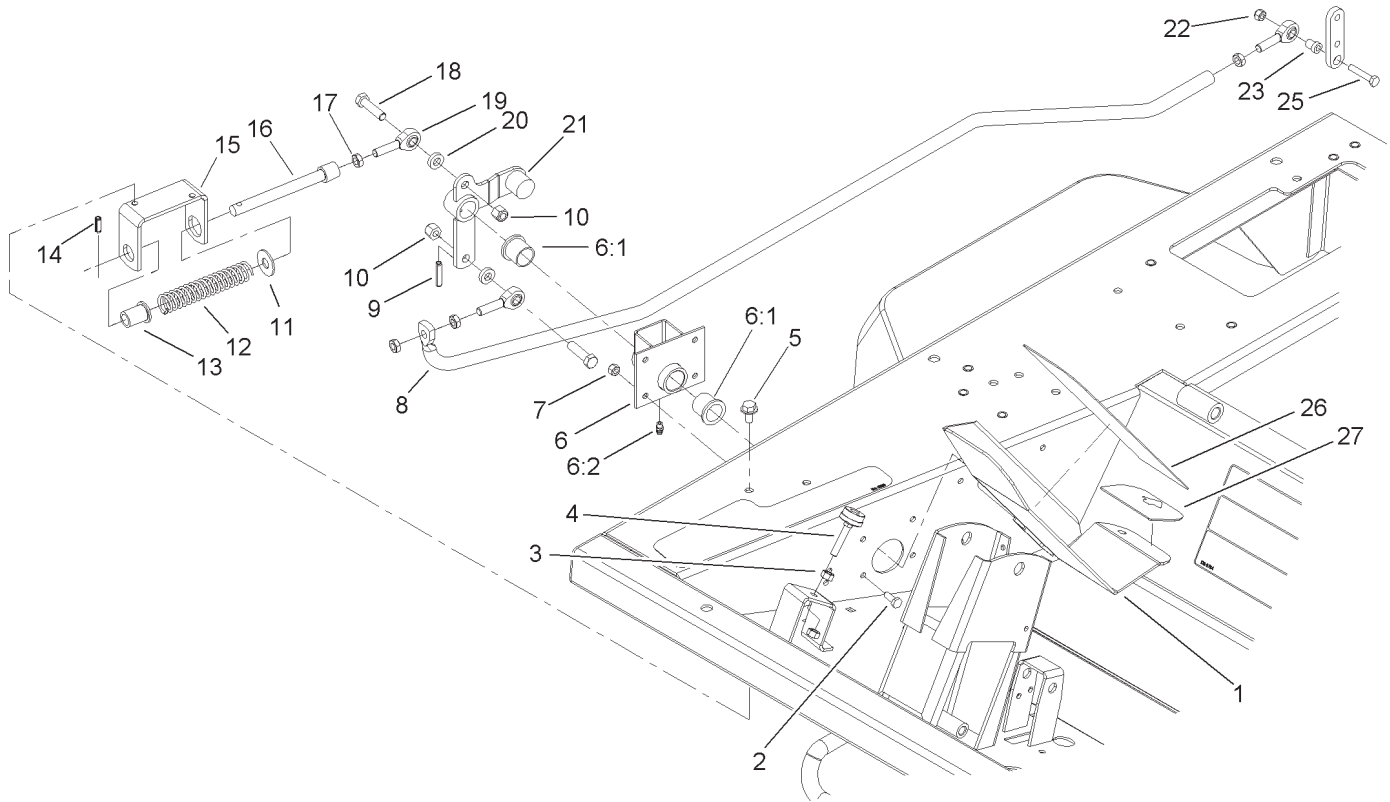
Sheet No.:B2

### Steering Valve Assembly No. 104-2213

Ref. No.	Part No.	Qty.	Description
1	94-4099	1	Seal Kit
☆2		1	Housing
3	94-4095	1	Centering Spring Kit
☆4		1	Spool
5	94-4098	1	Ring-Retaining
6	94-4094	1	Pin
☆7		1	Sleeve
8	94-4096	1	Bearing Kit
9	94-4088	7	Screw-Cap
10	94-4089	1	Cap-End
11	94-4090	1	Gerotor
12	94-4091	1	Spacer
13	94-4093	1	Drive
14	94-4092	1	Plate-W ear
15	99-551 1	1	Plug ASM
16	99-5500	1	Valve-Relief

Ref. No.	Part No.	Qty.	Description

☆ Not serviced separately



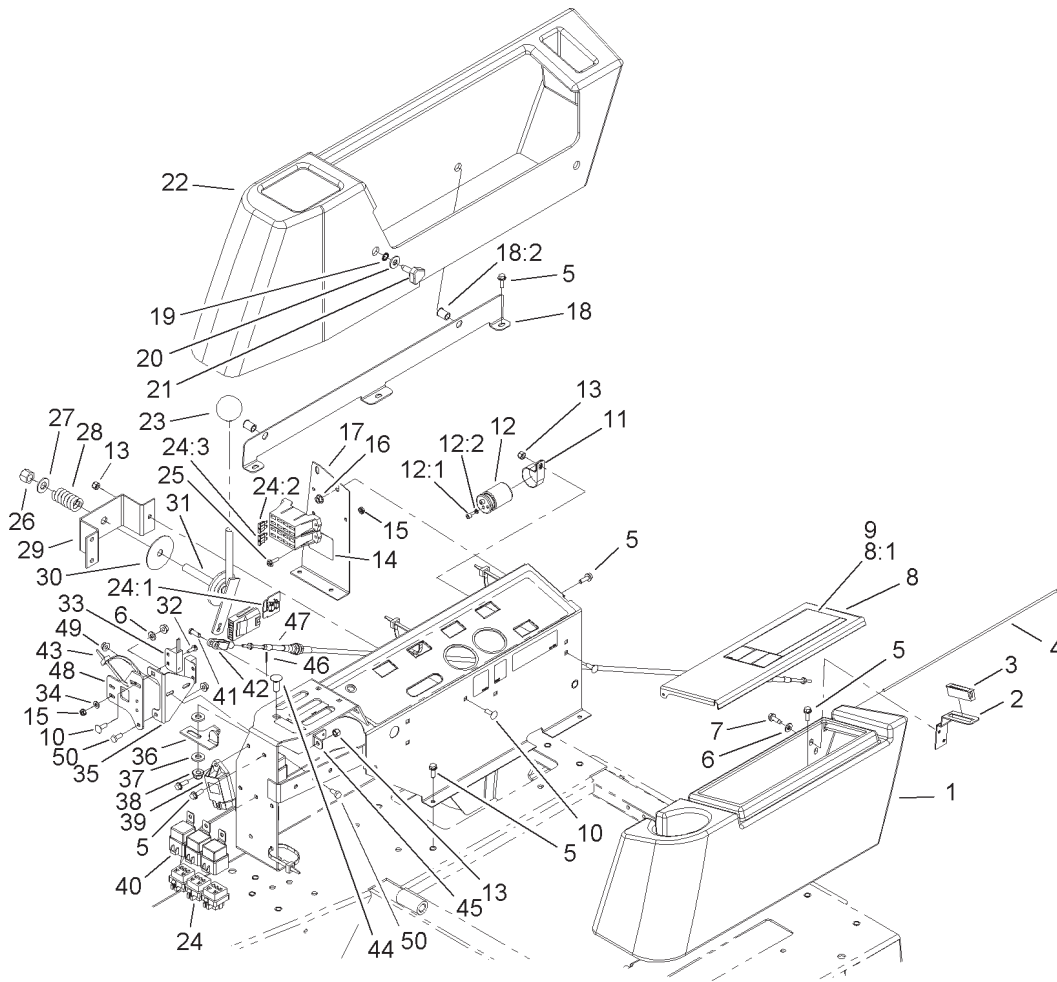
Sheet No.:7

## Traction Pedal and Linkage Assembly

Ref. No.	Part No.	Qty.	Description
1	93-5133-01	1	Traction Pedal ASM
2	321-4	4	Screw-HH
3	3217-6	2	Nut-Hex
4	32141-36	1	Screw-Adjustment, Level
5	32144-14	2	Screw-HWH
6	104-3565	1	Pedal Bracket ASM
6:1	256-10	2	Bushing-Flange
6:2	302-5	1	Fitting-Grease
7	3296-42	4	Nut-Lock, NI
8	100-3136-03	1	Rod-T raction
9	32121-9	1	Pin-Spring
10	3296-39	2	Nut-Lock, NI
11	3256-5	1	Washer-Flat
12	84-9100	1	Spring
13	92-7610	1	Retainer-Spring
14	32121-11	1	Pin-Roll
15	100-3137-03	1	Bracket-Spring
16	92-7609	1	Shaft-Spring
17	3220-3	4	Nut-Jam
18	323-8	2	Screw-HH
19	2411-36	3	Bearing-End, Rod
20	80-7730	2	Spacer
21	100-3138	1	Lever-T raction
22	3296-42	1	Nut-Lock, NI
23	104-7517	1	Spacer

Ref. No.	Part No.	Qty.	Description
25	321-9	1	Screw-HH
26	93-5347	1	Abrasive-Pedal
27	93-5368	1	Abrasive-Pedal



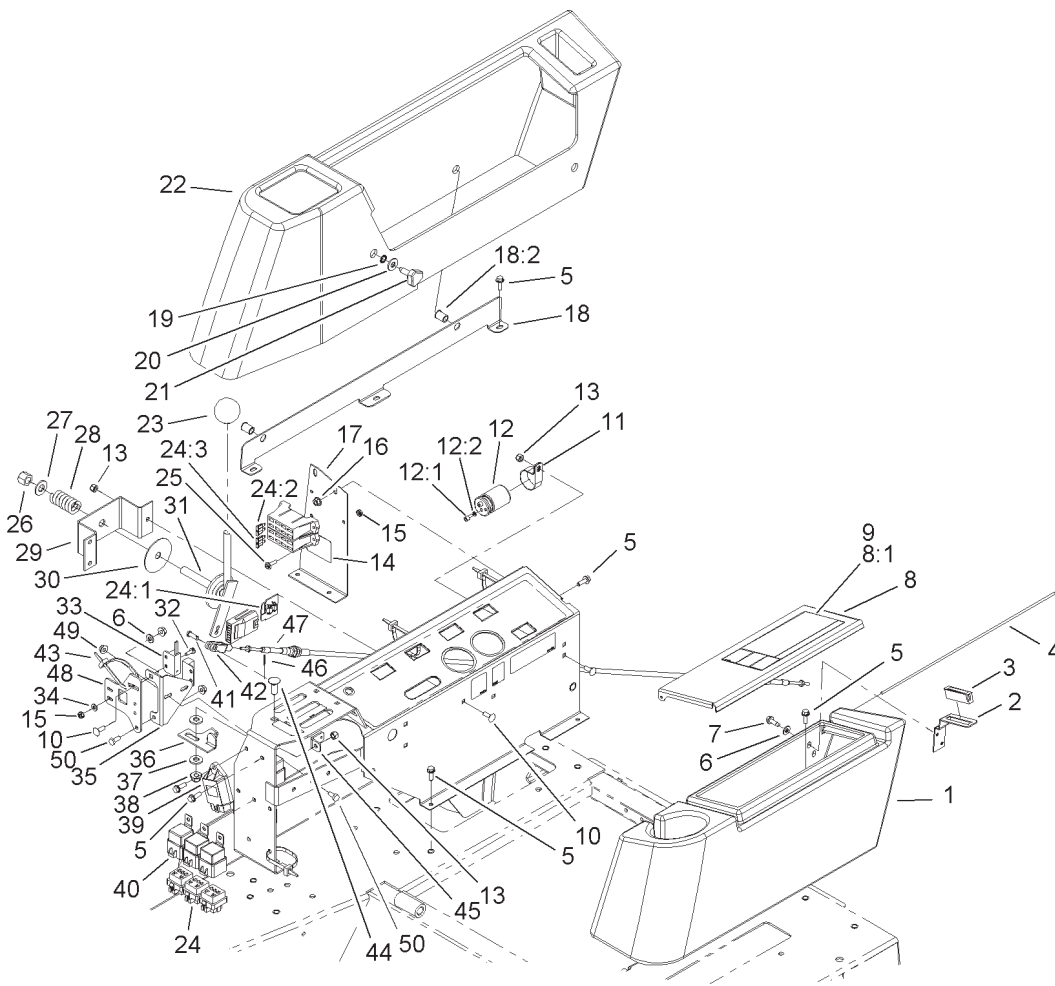


Sheet No.:9

## Tool Box Assembly

Ref. No.	Part No.	Qty.	Description
1	104-7515	1	Housing-Box, Tool
2	104-7545	1	Bracket-Latch
3	58-4250	1	Catch-Magnetic
4	104-7548	1	Rod-Hinge
5	3234-4	20	Screw-HHF
6	3256-22	3	Washer-Flat
7	32104-95	2	Screw-HWH
8	104-8321	1	Tool Box Cover ASM
8:1	106-6756	1	Decal-W arning
9	106-6752	1	Decal-W arning (Ce)
10	3229-1	6	Screw-CARR
11	2412-74	2	R-Clamp
12	37-2690	2	Capacitor
12:1	3252-18	2	Screw
12:2	3254-1	2	Washer-Lock, Int
13	3296-42	10	Nut-Lock, NI
14	104-8323	1	Decal-Fuses
15	32149-7	6	Nut-Keps
16	32128-33	2	Nut-HF
17	105-0785-03	1	Support-Panel, Control
18	105-0780	1	Console Support ASM
18:2	32148-9	2	Insert-Nut
19	32151-72	4	Ring-Retaining
20	3256-3	4	Washer-Flat
21	95-9648	4	Knob

Ref. No.	Part No.	Qty.	Description
22	104-7514	1	Housing-Console
23	233-48	1	Knob
24	105-7474	1	Harness-Wire, Console
24:1	110928	1	Fuse-5 Amp
24:2	218-578	4	Fuse-10 Amp
24:3	92-3188	1	Diode-Board, Circuit
25	32105-13	2	Screw-SHH
26	3296-23	1	Nut-Lock, NI
27	3256-26	1	Washer-Flat
28	3-8596	1	Spring-Compression
29	104-7539-03	1	Bracket-Pivot
30	3-2858	1	Disc-Friction
31	104-7538	1	Throttle Lever ASM
32	32105-2	4	Screw-SHWH
33	100-1270	2	Switch-Proximity
34	3256-14	4	Washer-Flat
35	107-0173	1	Bracket-Switch
36	104-7543	1	Stop-Lever, Lift
37	66-2920	2	Washer-Friction
38	104-8301	1	Nut-Flange, NI
39	98-761 1	1	Controller-Glow
40	99-7430	7	Relay
41	283-67	1	Pin-Clevis
42	282-28	1	Clevis-Adjustable
43	3290-378	6	Tie-Cable

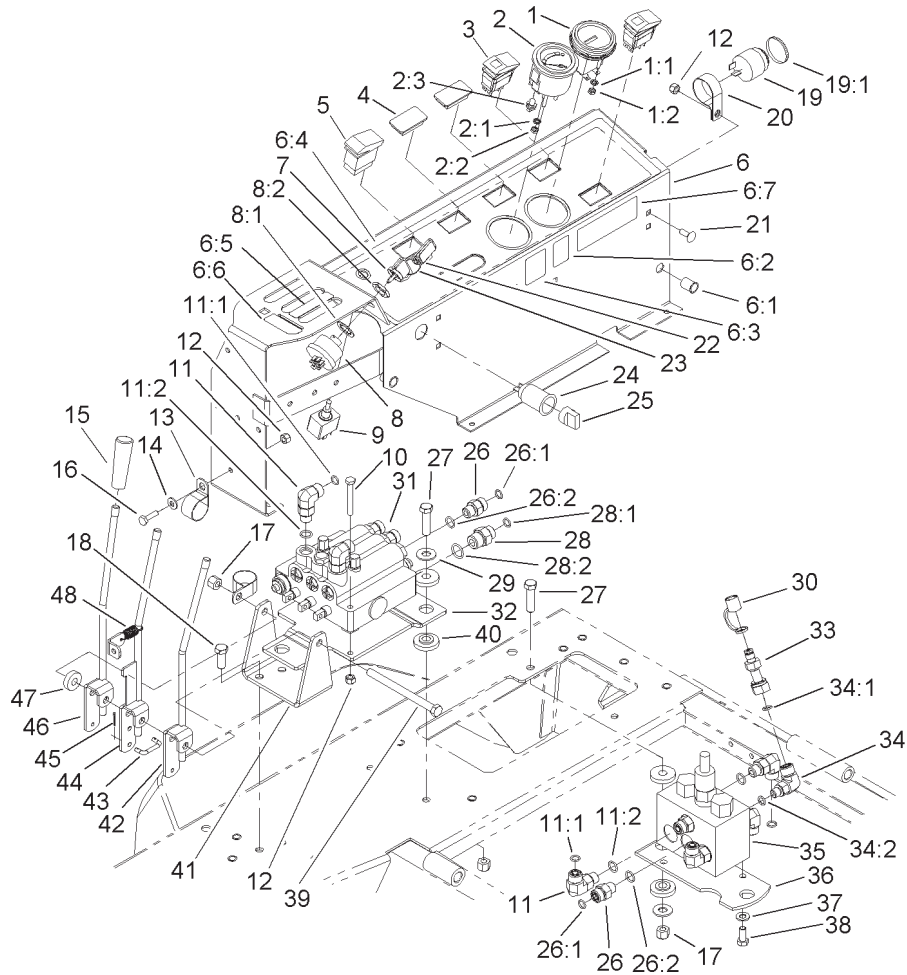


Sheet No.:9

## Tool Box Assembly (Continued)

Ref. No.	Part No.	Qty.	Description
44	3231-22	1	Screw-CARR
45	106-7164	1	Bracket-Spring
46	3272-1	1	Pin-Cotter
47	104-7547	1	Cable-Throttle
48	107-0174	1	Plate-Switch
49	32128-33	4	Nut-HF
50	321-3	3	Screw-HH

Ref. No.	Part No.	Qty.	Description

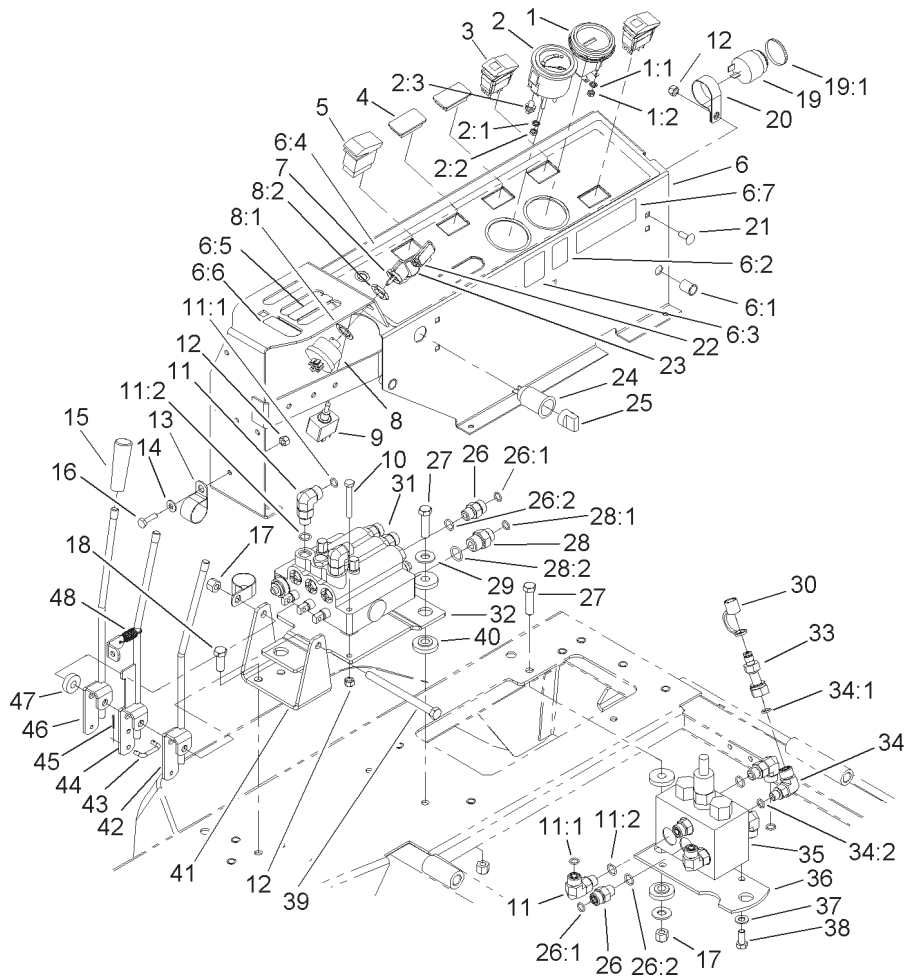


Sheet No.:10

## Control Console Assembly

Ref. No.	Part No.	Qty.	Description
1	66-2950	1	Gauge-Hourmeter
1:1	3255-20	2	Washer-Lock
1:2	3217-25	2	Nut-Hex
2	98-9339	1	Gauge-Fuel
2:1	3254-1	3	Washer-Lock, Int
2:2	3217-27	3	Nut-Hex
2:3	105-9265	1	Bulb And Lamp ASM
3	100-8072	2	Switch
4	99-7420	2	Plug-Hole
5	95-8999	1	Switch
6	106-6751	1	Control Panel ASM
6:1	32148-9	2	Insert-Nut
6:2	93-7252	1	Decal
6:3	105-4674	1	Decal-Noise, Ce
6:4	106-2046	1	Decal-Panel, Control
6:5	104-8324	1	Decal-Lift
6:6	104-8325	1	Decal-Lock
6:7	104-0131	1	Decal-Ansi
7	63-8360	1	Key-Ignition
8	88-9830	1	Key Switch ASM
8:1	3254-5	1	Washer-Tooth
8:2	218-461	1	Nut-HH
9	93-5270	1	Switch-PT O
10	321-1 1	2	Screw-HH
11	340-77	6	Fitting-HYD, 90°
11:1	237-22	1	O-Ring

Ref. No.	Part No.	Qty.	Description
11:2	237-42	1	O-Ring
12	3296-42	4	Nut-Lock, NI
13	2412-126	2	R-Clamp
14	3256-22	1	Washer-Flat
15	233-39	3	Knob-Control
16	321-5	1	Screw-HH
17	3296-39	8	Nut-Lock, NI
18	323-6	2	Screw-HH
19	80-9330	1	Alarm-Audio
19:1	104-5107	1	Nut-Plastic, Knurled
20	2412-74	1	R-Clamp
21	3229-1	1	Screw-CARR
22	99-8970	1	Key-Latch, Hood
23	98-9321	1	Ring-Key
24	99-741 1	1	Point-Power
25	99-7416	1	Cap
26	340-2	5	Fitting-HYD, Straight
26:1	237-22	1	O-Ring
26:2	237-42	1	O-Ring
27	323-8	5	Screw-HH
28	340-3	1	Adapter
28:1	237-22	1	O-Ring
28:2	237-79	1	O-Ring
29	3256-4	5	Washer-Flat
30	354-79	1	Cap-Dust
31	69-1780	1	Control Valve ASM

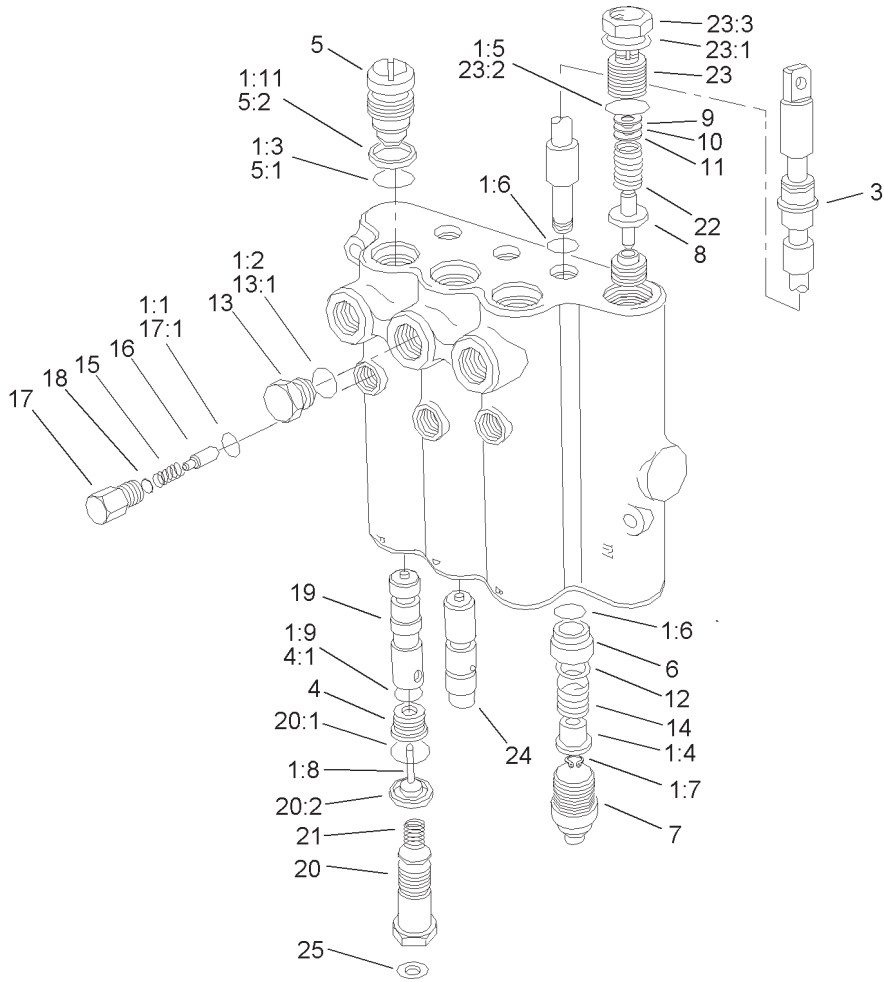


Sheet No.:10

### Control Console Assembly (Continued)

Ref. No.	Part No.	Qty.	Description
32	105-0789-03	1	Bracket-V valve
33	86-5480	1	Nipple-Test
34	340-97	1	Fitting-HYD, 90°
34:1	237-22	1	O-Ring
34:2	237-78	1	O-Ring
35	104-0788	1	Valve ASM
36	104-2231-03	1	Plate-V valve
37	3256-23	2	Washer-Flat
38	322-3	2	Screw-HH
39	323-38	1	Screw-HH
40	240-11	10	Grommet-Mount, Tank
41	105-0788-03	1	Bracket-Pivot
42	100-3123	1	LH Lever ASM
43	69-9140	3	Link-Lever, Valve
44	106-7161	1	Lever ASM
45	3272-1	6	Pin-Cotter
46	100-3121	1	RH Lever ASM
47	62-6660	1	Spacer
48	105-3938	1	Spring-Extension

Ref. No.	Part No.	Qty.	Description



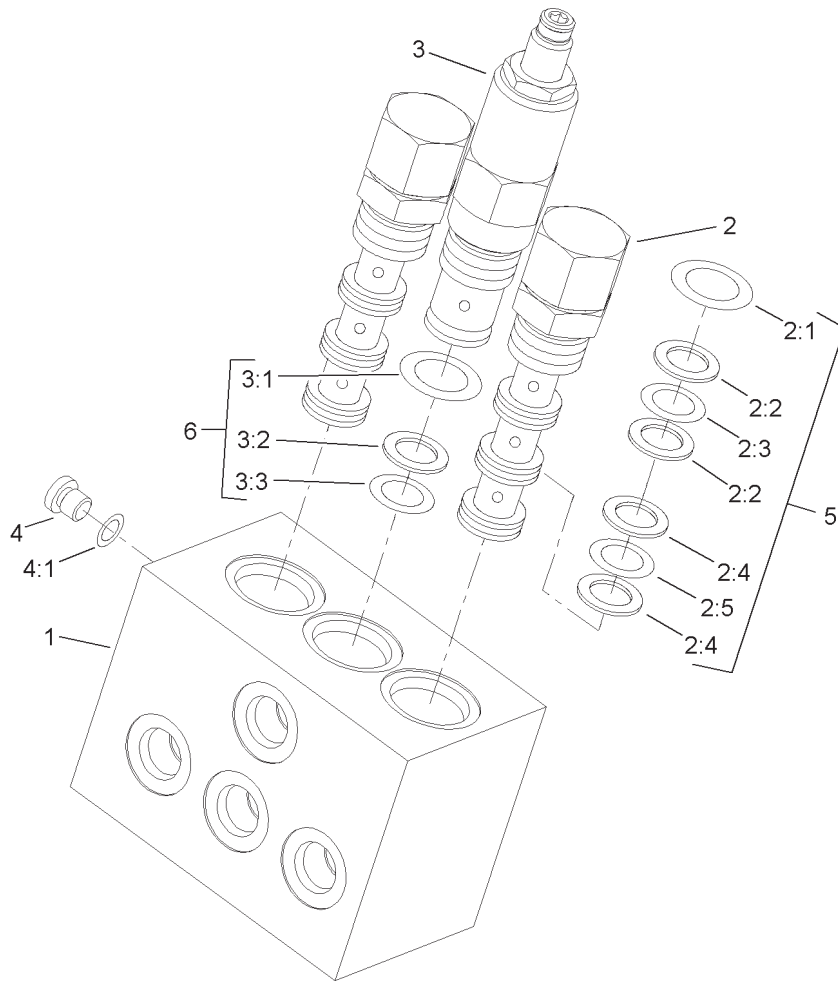
Sheet No.:B3

## Control Valve Assembly No. 69-1780

Ref. No.	Part No.	Qty.	Description
1	60-3780	1	Seal Kit
1:1	58-6790	3	O-Ring
1:2	58-6720	3	O-Ring
1:3	60-5720	6	O-Ring
1:4	58-6310	6	Spacer
1:5	58-6750	1	O-Ring
1:6	58-6450	6	O-Ring
1:7	58-6460	3	Ring
1:8	58-6290	3	Poppet
1:9	58-6340	3	O-Ring
1:10	58-6320	3	Wiper
1:11	58-6370	1	Washer
3	106-6750	1	Spool
4	58-6330	3	Seat
4:1	58-6340	1	O-Ring
5	58-6350	3	Plug
5:1	60-5720	1	O-Ring
5:2	58-6370	1	Washer
6	58-6400	3	Bushing
7	58-6420	3	Cap
8	92-2568	1	Poppet
9	58-6470	1	Washer
10	58-6480	1	Washer
11	58-6490	1	Washer
12	65-2770	3	Washer
13	58-6710	1	Plug

Ref. No.	Part No.	Qty.	Description
13:1	58-6720	1	O-Ring
14	58-6730	3	Spring
15	58-6760	3	Spring
16	58-6770	3	Plunger
17	58-6780	3	Plug
17:1	58-6790	1	O-Ring
18	60-6450	1	Disc
19	84-6420	2	Plunger
20	69-1800	3	Plug ASM
20:1	58-6360	1	O-Ring
20:2	58-6370	1	Washer
21	69-1810	3	Spring
22	106-0267	1	Spring
23	69-1830	1	Plug ASM
☆23:1		1	Washer
23:2	58-6750	1	O-Ring
☆23:3		1	Nut-Lock
24	69-1840	1	Plunger
25	105-4565	2	Plate-Orifice

☆ Not serviced separately



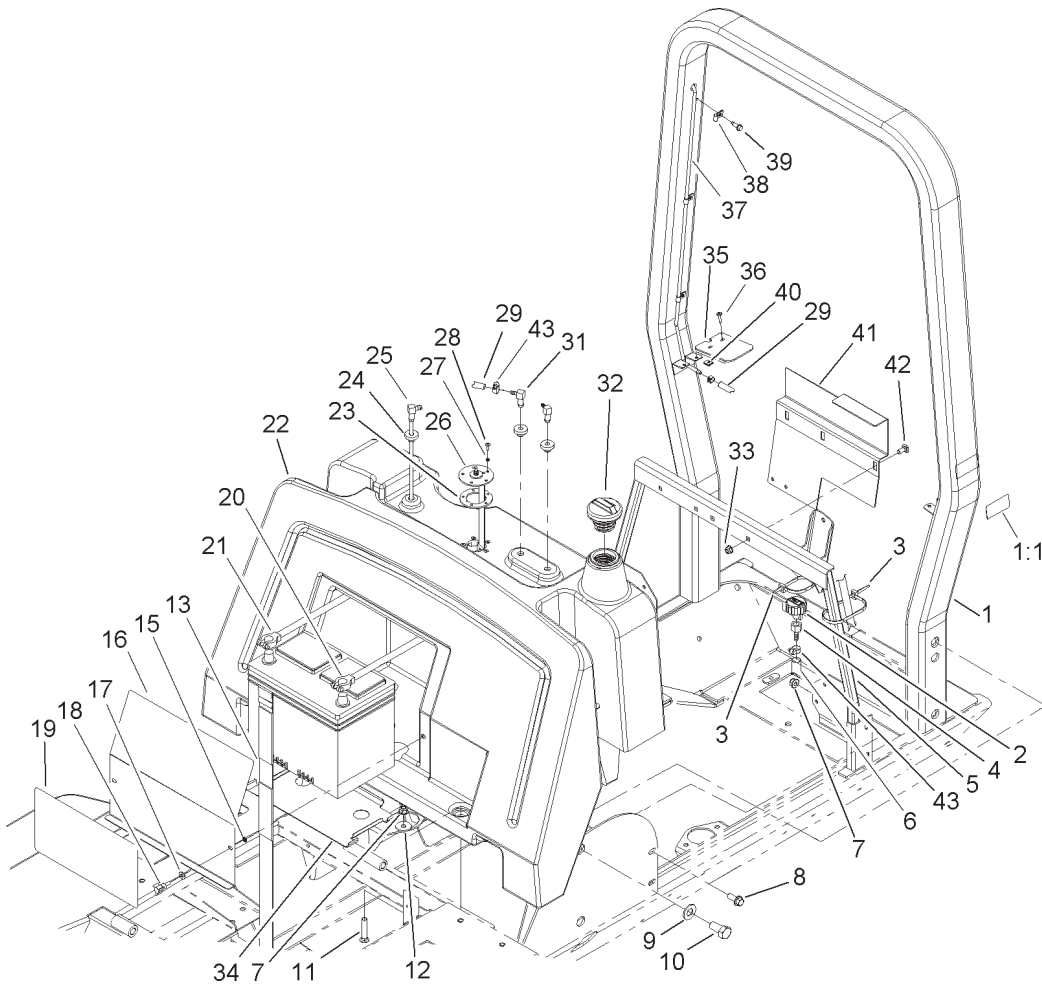
Sheet No.:B4

### Valve Assembly No. 104-0788

Ref. No.	Part No.	Qty.	Description
☆1		1	Manifold
2	104-4295	2	Valve-Pilot
3	104-4296	1	Valve-Relief
4	353-991	1	Plug-Hex, Hollow
4:1	237-156	1	O-Ring
5	99-5502	2	Seal Kit
6	99-5503	1	Seal Kit

Ref. No.	Part No.	Qty.	Description

☆ Not serviced separately

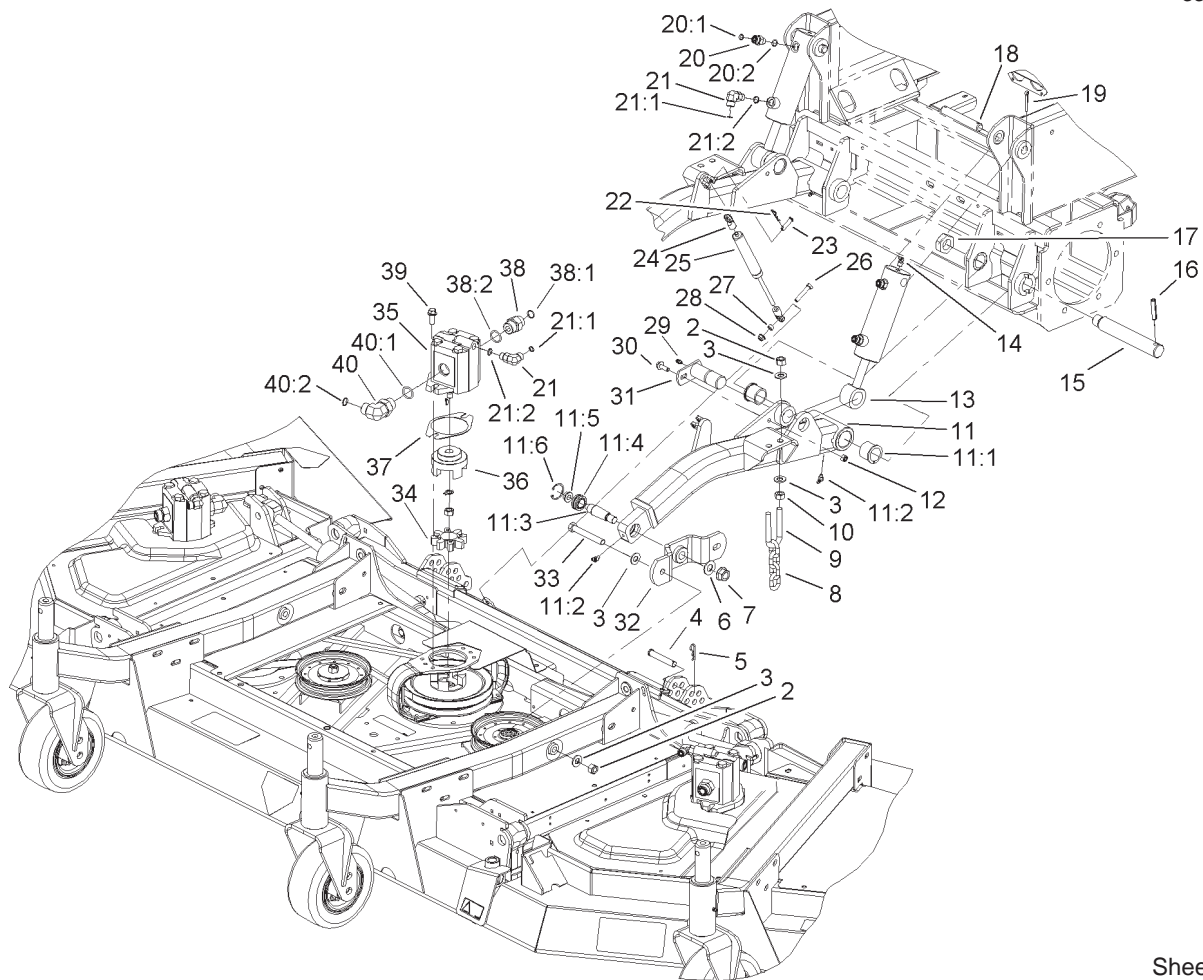


Sheet No.:11

## Fuel Tank, Battery and Roll Over Protection System Assembly

Ref. No.	Part No.	Qty.	Description
1	105-2849	1	Rops ASM
1:1	105-2834	1	Decal-Rops
2	68-6150	1	Breather
3	3290-378	2	Tie-Cable
4	354-95	1	Fitting-Female, Barbed
5	104-0714-03	1	Tank Support ASM
6	95-4274	1	Hose-Fuel
7	104-8301	6	Nut-Flange, NI
8	3234-42	4	Screw-HHF
9	3256-27	4	Washer-Flat
10	327-3	4	Screw-HH
11	3231-6	2	Screw-CARR
12	63-8410	2	Washer
13	94-1445	1	Strap-Battery
15	32151-106	2	Ring-Retaining
16	104-0717-03	1	Cover-Battery
17	3256-22	2	Washer-Flat
18	233-70	2	Knob-3 Star
19	105-7358	1	Decal-Service
20	104-0761	1	Cable-Negative
21	104-0760	1	Cable-Positive
22	100-81 19	1	Tank-Fuel
23	62-7650	1	Gasket

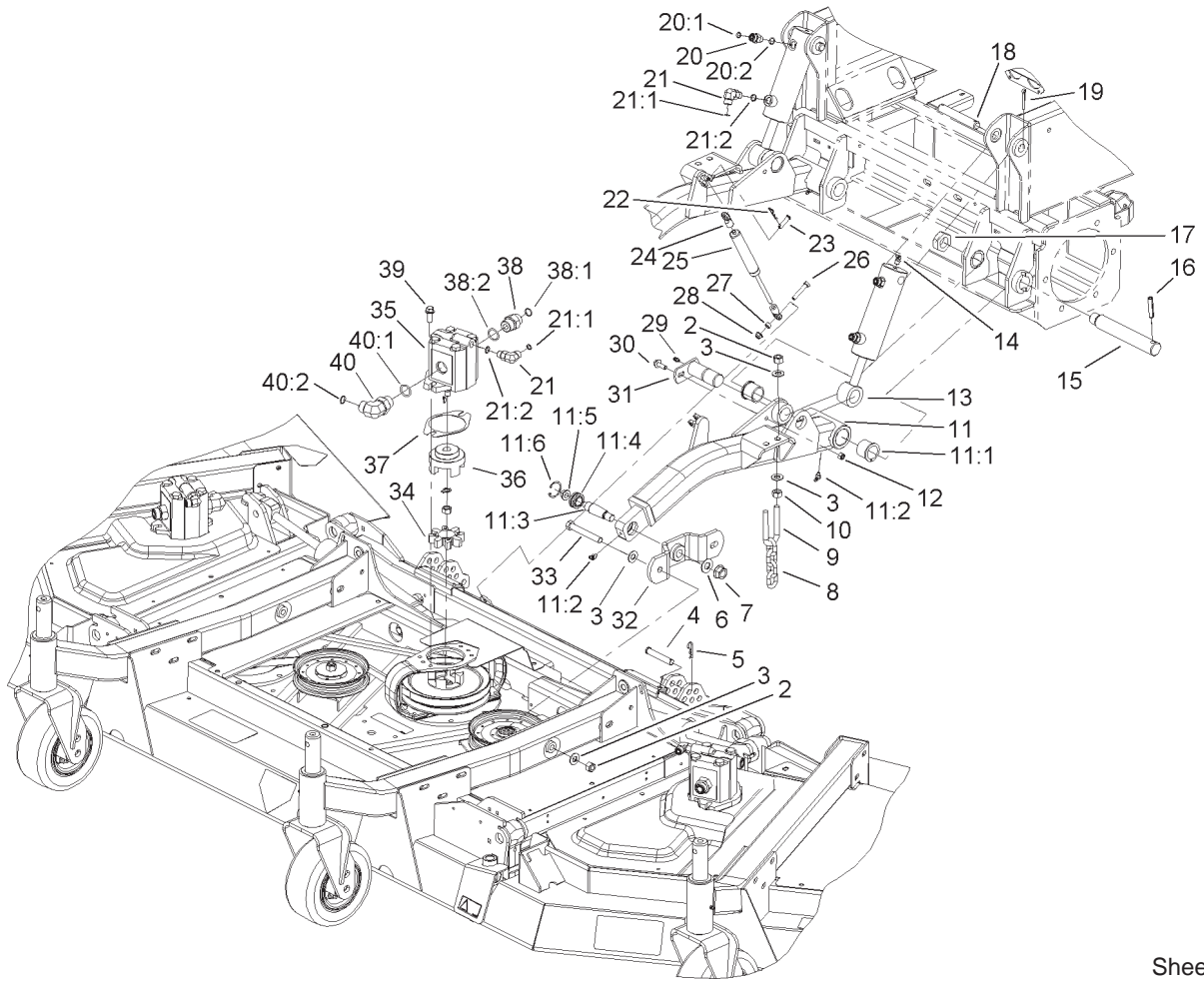
Ref. No.	Part No.	Qty.	Description
24	46-6560	3	Bushing
25	104-0701	1	Pipe-Stand
26	104-0700	1	Sender-Fuel
27	3253-15	5	Washer-Lock/Sp
28	32122-24	5	Screw-Pth
29	47-2986	1	Hose-Fuel
31	104-5228	2	Elbow-90 °
32	93-3102	1	Cap-Fuel
33	104-8300	2	Nut-Flange, NI
34	105-0774-03	1	Plate-Battery
35	104-8319	2	Cover-Tank
36	3250-13	4	Screw-PPH
37	104-0718	1	Tube-V ent
38	2412-72	3	Clip-Closed, Insulated
39	32104-95	3	Screw-HWH
40	3290-191	4	Nut-Speed
41	104-2286-03	1	Bracket-Tank, Fuel
42	3230-1	2	Bolt-CARR
43	2412-108	3	Clamp-W orm



Sheet No.:12

## Front Deck Lift Arm and Cylinder Assembly

Ref. No.	Part No.	Qty.	Description	Ref. No.	Part No.	Qty.	Description
2	3296-25	8	Nut-Lock, NI	20:1	237-22	1	O-Ring
3	3256-26	16	Washer-Flat	20:2	237-42	1	O-Ring
4	283-55	2	Pin-Clevis	21	340-77	4	Fitting-HYD, 90°
5	3290-467	2	Pin-Hair	21:1	237-22	1	O-Ring
6	86-1440	2	Washer-Flat	21:2	237-42	1	O-Ring
7	32128-54	2	Nut-Flange	22	3290-467	2	Pin-Hair
8	95-6231	2	Chain-HOC	23	283-6	2	Pin-Clevis
9	104-0108	2	U-Bolt	24	104-8331	2	End-Rod, Spherical
10	3217-9	4	Nut-Hex	25	105-3249	4	Damper
11	105-7346	1	LH Arm ASM	26	322-9	2	Screw-HH
11	105-7345	1	RH Arm ASM	27	92-6998	2	Spacer-Yoke, Right
11:1	104-0015	2	Bushing-Flange	28	104-8300	2	Nut-Flange, NI
11:2	302-11	2	Fitting-Lube, 45°	29	302-5	2	Fitting-Grease
11:3	105-7468	1	Stud-Tapered	30	3234-29	2	Screw-HHF
11:4	105-7441	1	Bearing-Spherical	31	105-7325	2	Pin ASM
11:5	32128-42	1	Nut-HF	32	106-4336-01	2	Hub Support ASM
11:6	32151-34	1	Ring-Retaining	33	325-17	4	Screw-HH
12	3296-29	2	Nut-Lock, NI	34	104-3542	3	Spider
13	105-7341	2	Cylinder-HYD, Lift	35	99-5489	3	Motor-Gear
14	302-33	2	Fitting-Grease	36	104-3541	3	Hub-Spider
15	100-3017	2	Pin-Arm, Lift	37	100-5638	3	Shim-A Mount
16	32121-110	2	Pin-Roll, Slotted	38	340-8	3	Adapter
17	3296-49	2	Nut-Lock, NI	38:1	237-65	1	O-Ring
18	105-7456	2	Pin-Pivot	38:2	237-81	1	O-Ring
19	3272-23	4	Pin-Cotter	39	3234-42	6	Screw-HHF
20	340-2	3	Fitting-HYD, Straight	40	340-139	3	Fitting-HYD, 90°

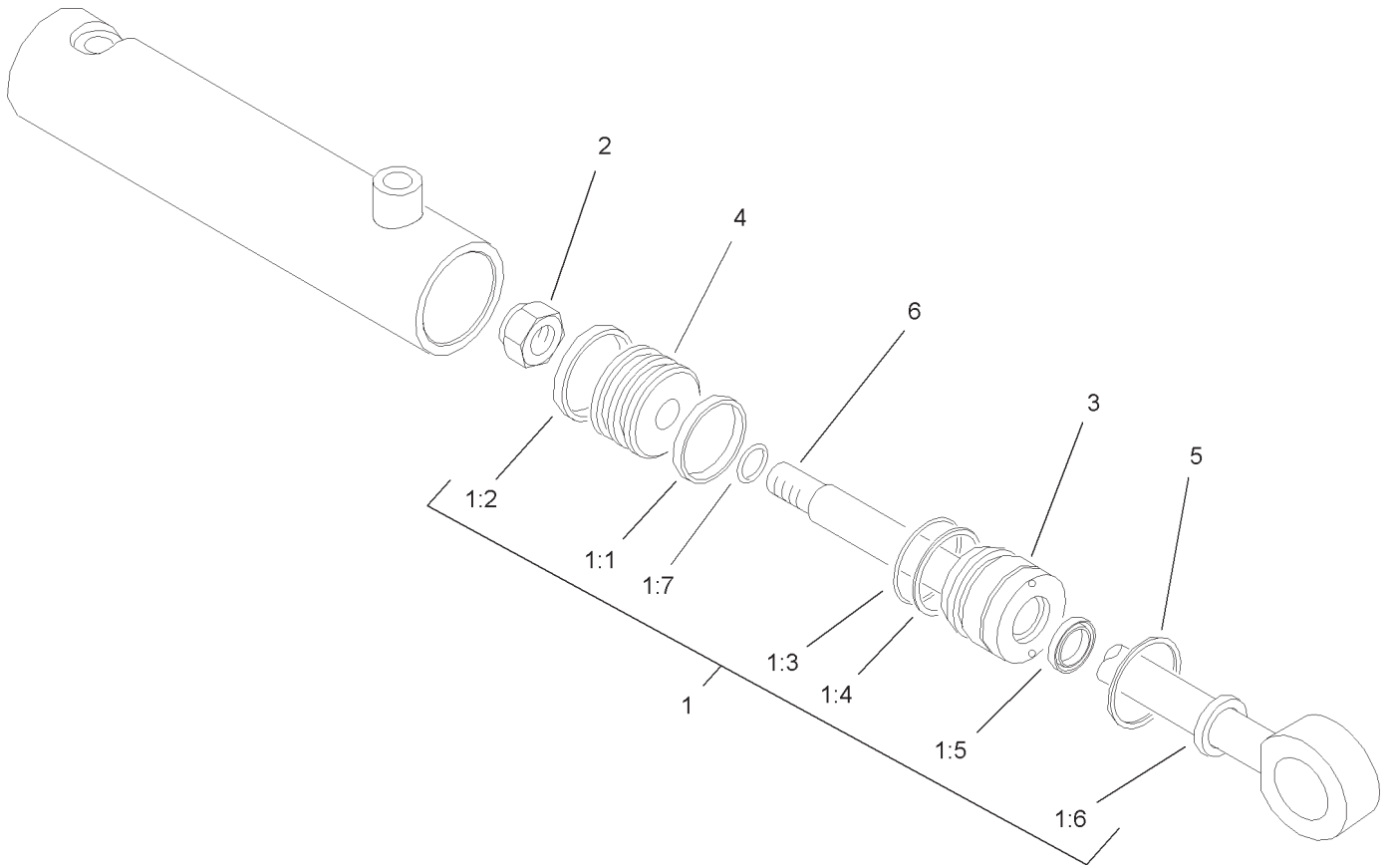


Sheet No.:12

## Front Deck Lift Arm and Cylinder Assembly (Continued)

Ref. No.	Part No.	Qty.	Description
40:1	237-81	1	O-Ring
40:2	237-65	1	O-Ring

Ref. No.	Part No.	Qty.	Description
----------	----------	------	-------------



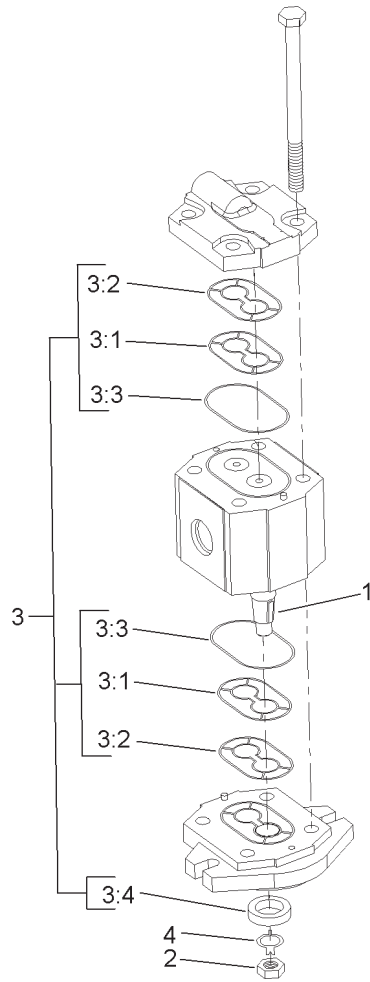
Sheet No.:B9

## Hydraulic Lift Cylinder Assembly No. 105-7341

Ref. No.	Part No.	Qty.	Description
1	106-6882	1	Seal Kit
☆1:1		1	T-Seal
☆1:2		1	Ring-Wear
☆1:3		1	O-Ring
☆1:4		1	Backup
☆1:5		1	Rod Seal
☆1:6		1	Dust Seal
☆1:7		1	O-Ring
☆2		1	Nut
☆3		1	Head
☆4		1	Piston
☆5		1	Ring-Retaining
☆6		1	Shaft W/Clevis

Ref. No.	Part No.	Qty.	Description

☆ Not serviced separately



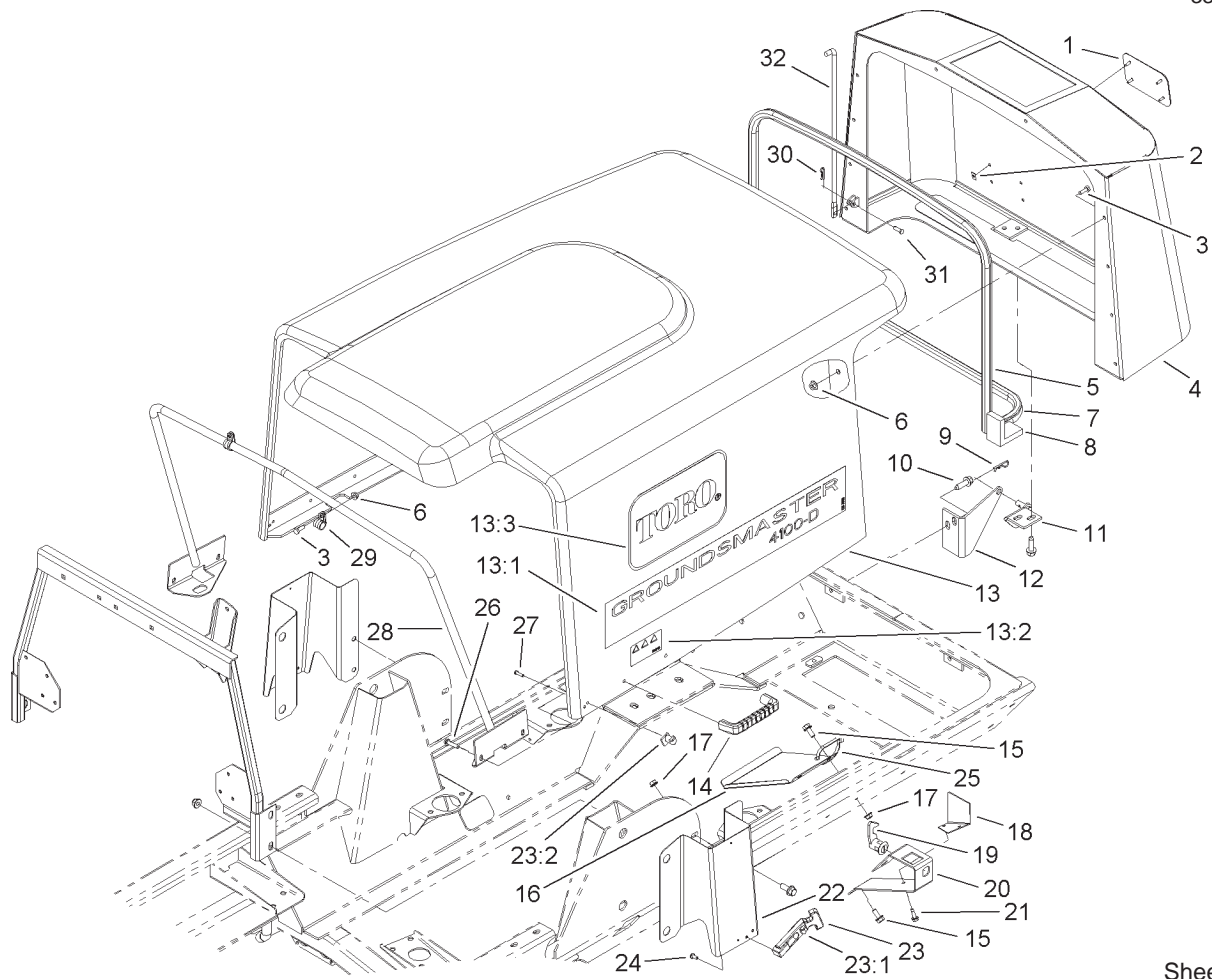
Sheet No.:C1

### Gear Motor Assembly No. 99-5489

Ref. No.	Part No.	Qty.	Description
1	3257-3	1	Key-W oodruff
2	3277-1	1	Nut-Hex
3	104-4284	1	Seal Kit
☆3:1		2	Anti-Ext Ring
☆3:2		2	Seal
☆3:3		2	O-Ring
☆3:4		1	Seal-Lip, Shaft
4	104-4283	1	Washer-Tab

Ref. No.	Part No.	Qty.	Description

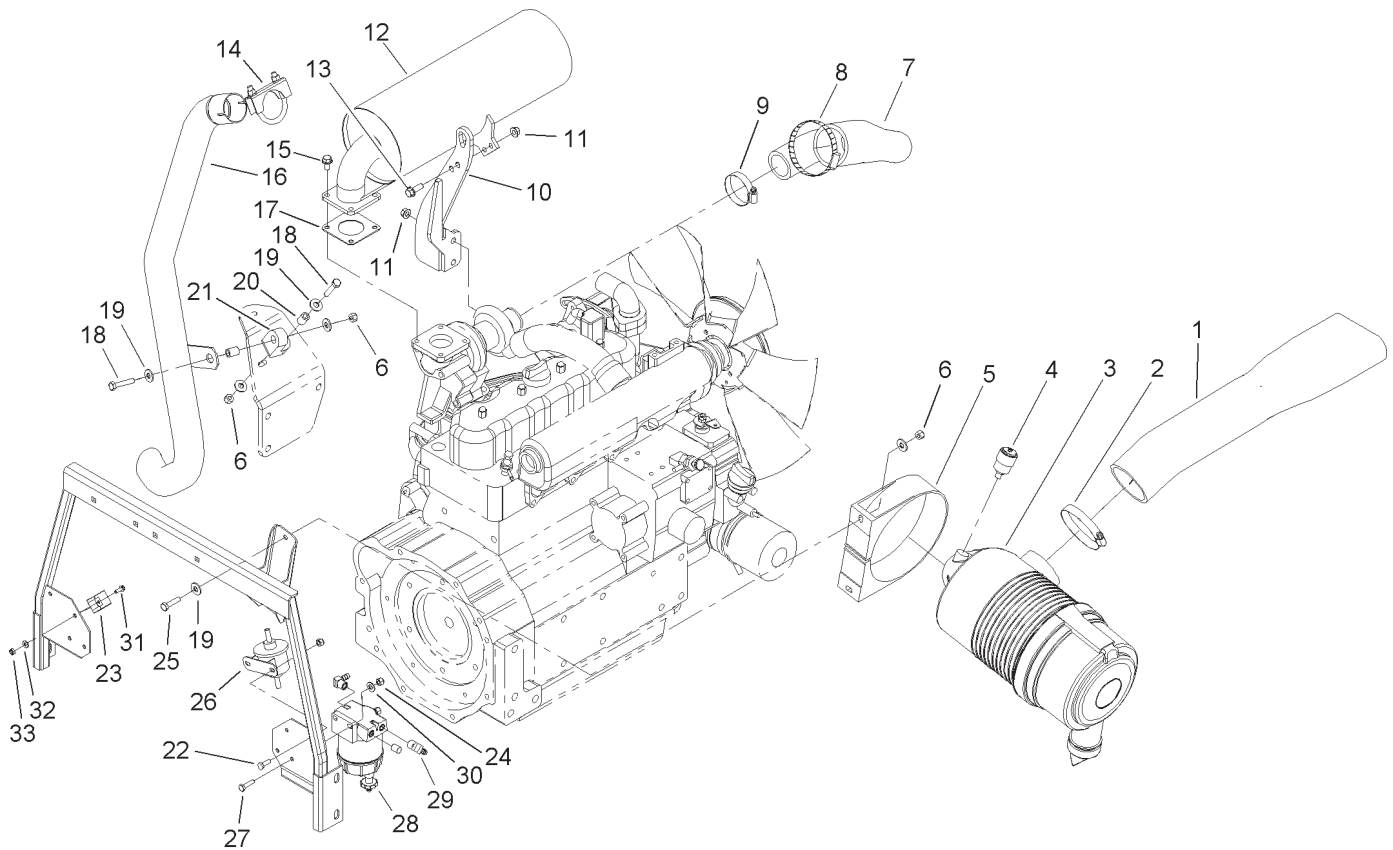
☆ Not serviced separately



Sheet No.:15

## Hood Assembly

Ref. No.	Part No.	Qty.	Description	Ref. No.	Part No.	Qty.	Description
1	93-6028	1	Plate-Logo, Toro	23	94-5626	2	Latch-Draw , Flexible
2	94-2638	4	Nut-T innerman	23:1	100-5806	1	Handle-Latch
3	321-4	12	Screw-HH	23:2	100-5807	1	Keeper-Latch
4	100-5506-03	1	Screen ASM	24	32144-1	4	Screw-T aptite
5	104-2225	1	Seal-Bulb	25	3290-378	1	Tie-Cable
6	32128-33	12	Nut-HF	26	46-8092	4	Screw-Plastite
7	104-3590	1	Seal-Bulb	27	32104-4	2	Screw
8	104-3580	2	Seal-Corner , Screen	28	104-3505-03	1	Hood Support ASM
9	3290-467	2	Pin-Hair	29	2412-134	2	R-Clamp
10	32144-109	8	Screw	30	3290-307	1	Pin-Hair
11	104-3589	2	Screen Pivot ASM	31	283-67	1	Pin-Clevis
12	104-3588-03	2	Pivot-Screen	32	104-8313	1	Rod-Hood
13	105-7359	1	Hood ASM				
13:1	105-7360	2	Decal-Hood				
13:2	106-6754	1	Decal-Danger				
13:3	66-1210	2	Decal				
14	65-5100	2	Handle-Door				
15	3234-5	4	Screw				
16	104-3560-03	1	Deflector-Filter , Oil				
17	32128-20	4	Nut-HF				
18	105-4531	1	Cover-Latch				
19	98-5398	1	Latch				
20	104-3591-03	1	Bracket-Latch, Hood				
21	32104-95	2	Screw-HWH				
22	105-7466-03	1	Bracket-Latch, RH				
22	105-7467-03	1	Bracket-Latch, LH				



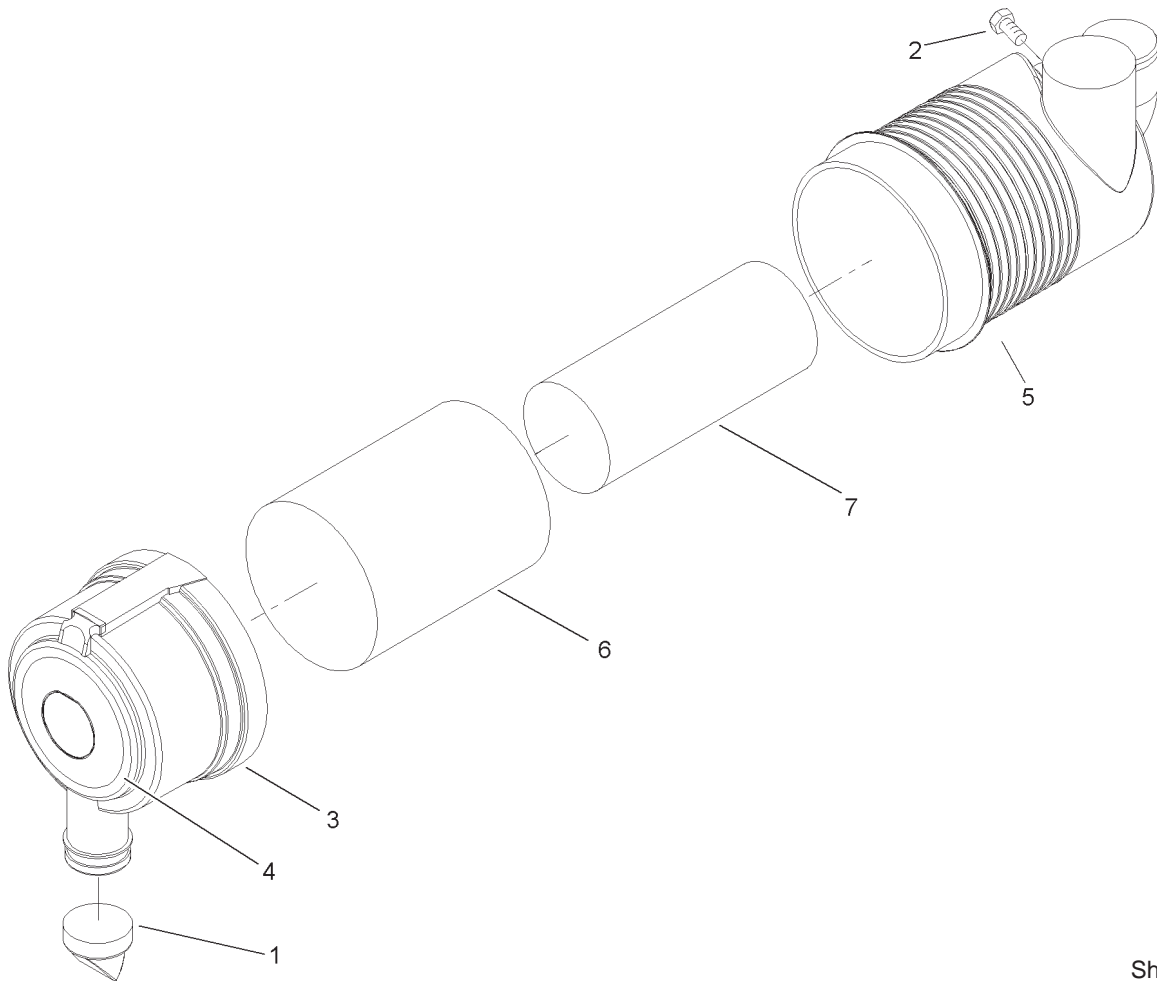
Sheet No.:16

## Air Cleaner and Muffler Assembly

Ref. No.	Part No.	Qty.	Description
1	100-5550	1	Hose-Cleaner , Air
2	2412-125	1	Clamp-Hose
3	99-5410	1	Cleaner-Air
4	104-3563	1	Indicator
*4:1	94-1416	1	Indicator Adapter ASM
5	99-5414	1	Strap-Cleaner , Air
6	3296-29	4	Nut-Lock, NI
7	99-5415	1	Hose-Cleaner , Air
8	2412-1 10	1	Clamp-Hose
9	2412-92	1	Clamp-Hose
10	99-5421-03	1	Bracket-Mounting
11	33004-00	4	Nut-HF
12	99-5424	1	Muffler-T urbo
13	33104-025	2	Screw-HHF
14	18-2130	1	Clamp
15	33104-016	4	Screw-HHF
16	100-5610	1	Pipe-Exhaust
17	100-9333	1	Gasket-Muf fler
18	322-9	2	Screw-HH
19	3256-3	8	Washer-Flat
20	93-5023	2	Spacer
21	95-5622	1	Hanger-Rubber
22	321-6	2	Screw-HH
23	99-7435	1	Relay-Power
24	3296-42	4	Nut-Lock, NI
25	322-6	2	Screw-HH

Ref. No.	Part No.	Qty.	Description
26	107-0122	1	Pump-Fuel, Electric
27	321-4	2	Screw-HH
28	98-9305	1	Filter-W ater/Fuel
29	353-781	2	Fitting-Elbow
30	3256-23	2	Washer-Flat
31	32105-2	1	Screw-SHWH
32	3256-14	1	Washer-Flat
33	3296-2	1	Nut-Lock

\* Not illustrated



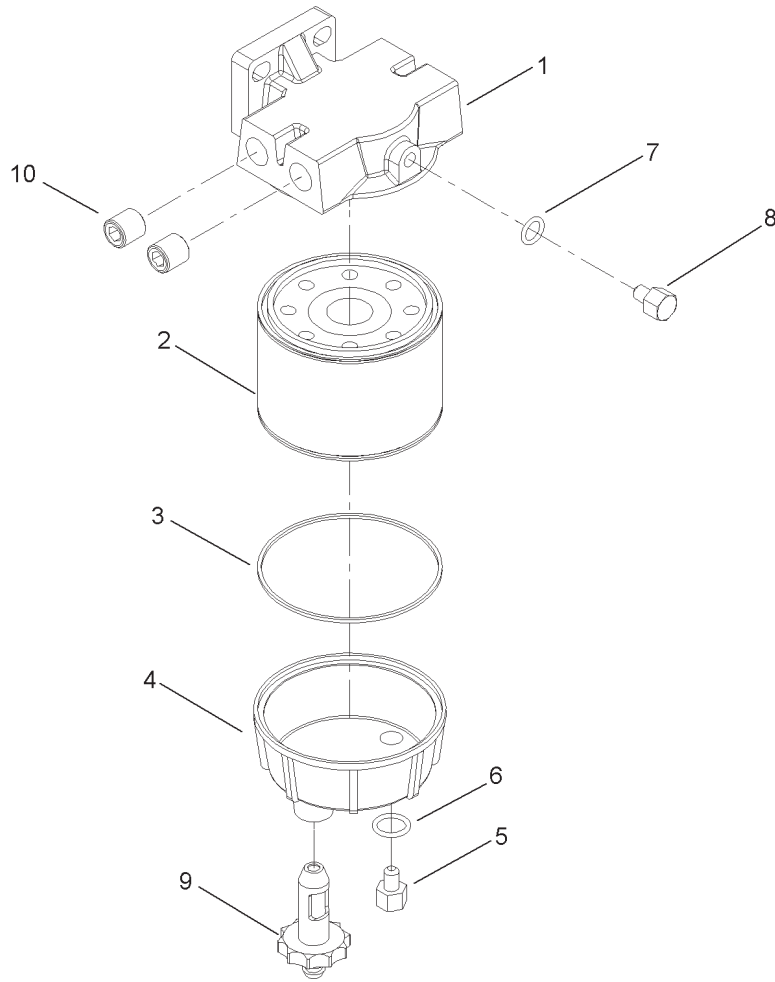
Sheet No.:C2

### Air Cleaner Assembly No. 99-5410

Ref. No.	Part No.	Qty.	Description
1	104-4258	1	Valve-V acuator
☆2		1	Plug-Pipe
3	104-4259	1	Cover ASM
☆4		1	Marking
☆5		1	Body ASM
6	104-4260	1	Element ASM
7	104-4261	1	Element ASM

Ref. No.	Part No.	Qty.	Description

☆ Not serviced separately

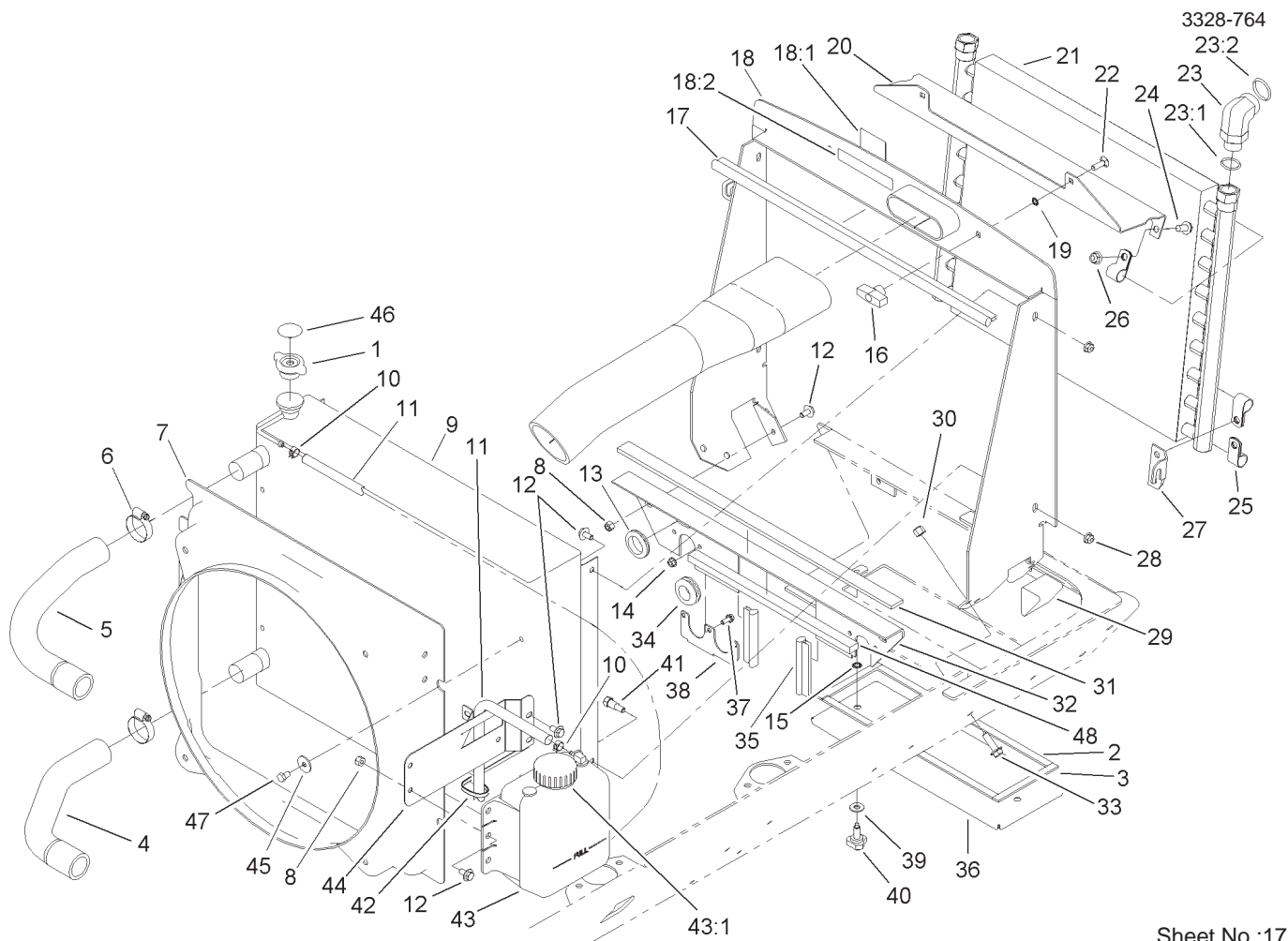


Sheet No.:C3

## Water/Fuel Filter Assembly No. 98-9305

Ref. No.	Part No.	Qty.	Description
1	98-9772	1	Head-Filter
2	98-9764	1	Element
3	98-9774	1	O-Ring-Base, Filter
4	98-9775	1	Base-Filter
5	98-9773	1	Plug-Base, Filter
6	237-42	1	O-Ring
7	237-78	1	O-Ring
8	98-9776	1	Plug-Head, Filter
9	98-9777	1	Drain Valve ASM
10	285-22	2	Plug-Pipe

Ref. No.	Part No.	Qty.	Description



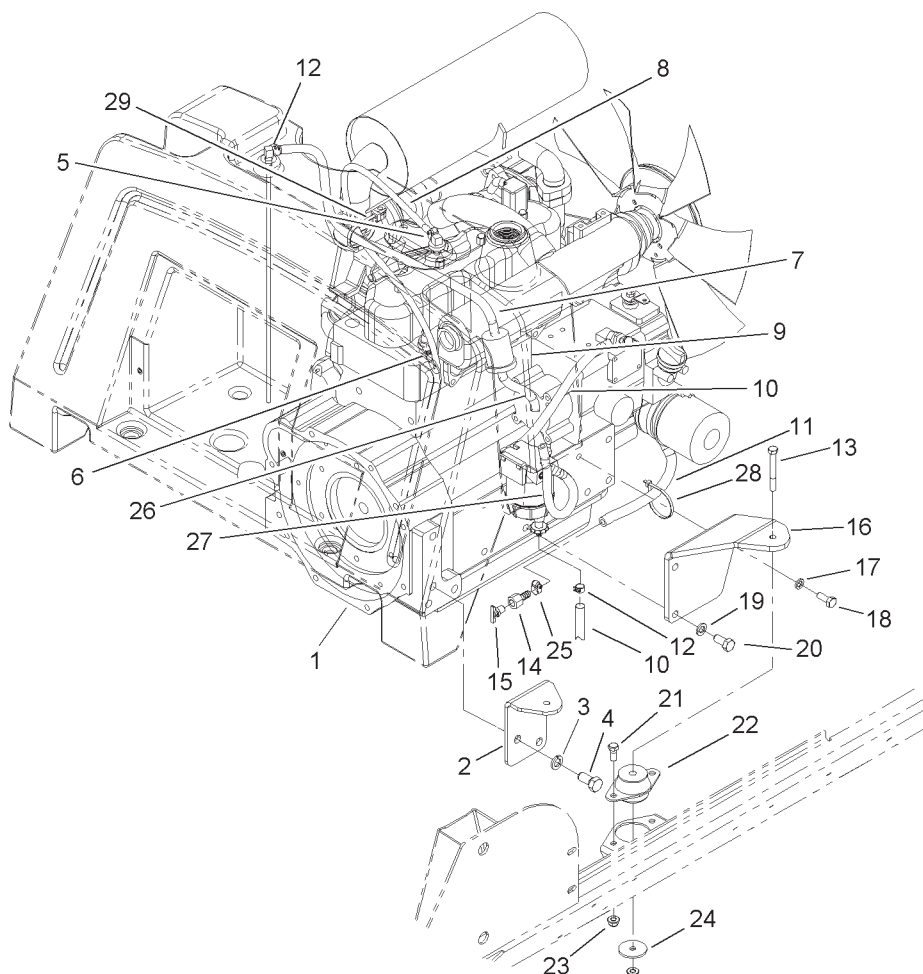
Sheet No.:17

## Radiator and Oil Cooler Assembly

Ref. No.	Part No.	Qty.	Description
1	93-5957	1	Cap-Radiator
2	105-0777	2	Strip-Foam
3	105-0778	2	Strip-Foam
4	100-5546	1	Hose-Radiator , Lower
5	100-5547	1	Hose-Radiator
6	2412-1 11	4	Clamp
7	99-5428	1	Shroud-Radiator
8	3296-29	5	Nut-Lock, NI
9	99-5426	1	Radiator
10	92-2379	3	Clamp-Hose
11	71-3370	2	Hose-Fuel
12	3234-7	10	Screw-HHF
13	240-3	1	Grommet-Rubber
14	32128-33	4	Nut-HF
15	32151-72	2	Ring-Retaining
16	98-7134	2	Knob-Handle
17	104-2223	1	Seal-Bulb
18	105-0757	1	Radiator Support ASM
18:1	93-7275	1	Decal-Fluid, Starting
18:2	93-7272	3	Decal-W arning
19	104-8310	2	Ring-Retaining
20	104-7522-03	1	Bracket-Cooler , Oil
21	99-5495	1	Cooler-Oil
22	3230-22	2	Screw-CARR
23	104-3796	2	Fitting-HYD, 90°
23:1	237-81	1	O-Ring

Ref. No.	Part No.	Qty.	Description
23:2	340-65	1	O-Ring
24	3234-1	6	Screw-HHF
25	2412-81	6	Clamp-R
26	104-8301	6	Nut-Flange, NI
27	100-3078-03	1	Bracket-Cooler , LH
27	100-3077-03	1	Bracket-Cooler , RH
28	104-8300	4	Nut-Flange, NI
29	93-5954	2	Foam-Plug
30	3296-39	4	Nut-Lock, NI
31	104-2226	1	Strip-Foam
32	99-5517-03	1	Support-Lower
33	3234-24	4	Screw-HHF
34	104-2224	2	Seal-Bulb
35	237-165	2	Grommet
36	104-2287-03	1	Cover-Frame
37	3234-33	4	Screw-HHF
38	106-6773-03	2	Plate
39	3256-3	2	Washer-Flat
40	95-9648	2	Knob
41	28-0540	2	Bolt-Shoulder
42	3290-378	1	Tie-Cable
43	104-2276	1	Reservoir-Coolant
43:1	87-7050	1	Cap-Reservoir
44	100-5505-03	1	Bracket-T ank
45	3256-82	4	Washer-Flat
46	106-6755	1	Decal-Cap, Radiator

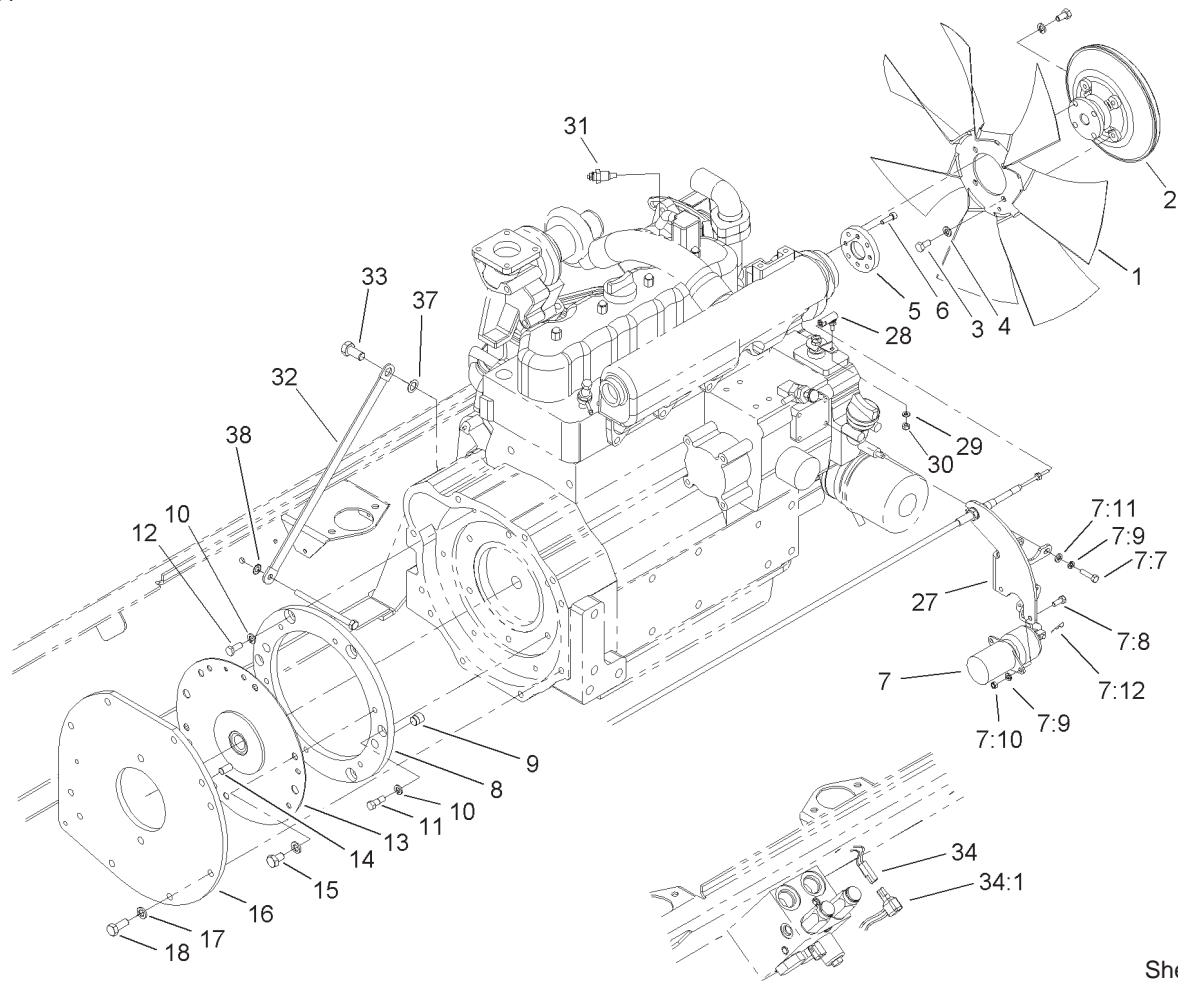




Sheet No.:18

## Engine and Mount Assembly

Ref. No.	Part No.	Qty.	Description	Ref. No.	Part No.	Qty.	Description
1	99-5413	1	Engine-Turbo, Kubota	23	104-8301	12	Nut-Flange, NI
2	100-3147-03	1	Mount-Engine, LH	24	63-7400	4	Washer-Rebound
2	100-3148-03	1	Mount-Engine, RH	25	2412-108	2	Clamp-W orm
3	43-5950	4	Washer-Lock, Spring	26	27-5350	1	Hose-Fuel
4	43-3210	4	Screw-HH	27	63-9640	1	Hose
5	2412-108	1	Clamp-W orm	28	3290-379	1	Tie-Cable
6	2412-80	1	Clamp-Line, Fuel	29	3290-378	1	Tie-Cable
7	63-7630	1	Hose-Fuel				
8	75-4706	1	Hose-Fuel				
9	98-7612	1	Filter-Fuel				
10	19-3250	2	Hose-Fuel				
11	99-7376	1	Hose-Breather				
12	92-2379	9	Clamp-Hose				
13	323-14	4	Screw-HH				
14	354-94	1	Fitting-Female, Barbed				
15	93-5528	1	Fitting-Cock, Drain				
16	106-2048-03	1	Mount-Engine, RH				
16	106-2049-03	1	Mount-Engine, LH				
17	48-9590	1	Washer-Lock				
18	43-0090	1	Screw-HH				
19	48-8070	5	Washer-Lock				
20	42-9250	5	Bolt				
21	323-5	8	Screw-HH				
22	53-9682	4	Support-Engine, Rubber				

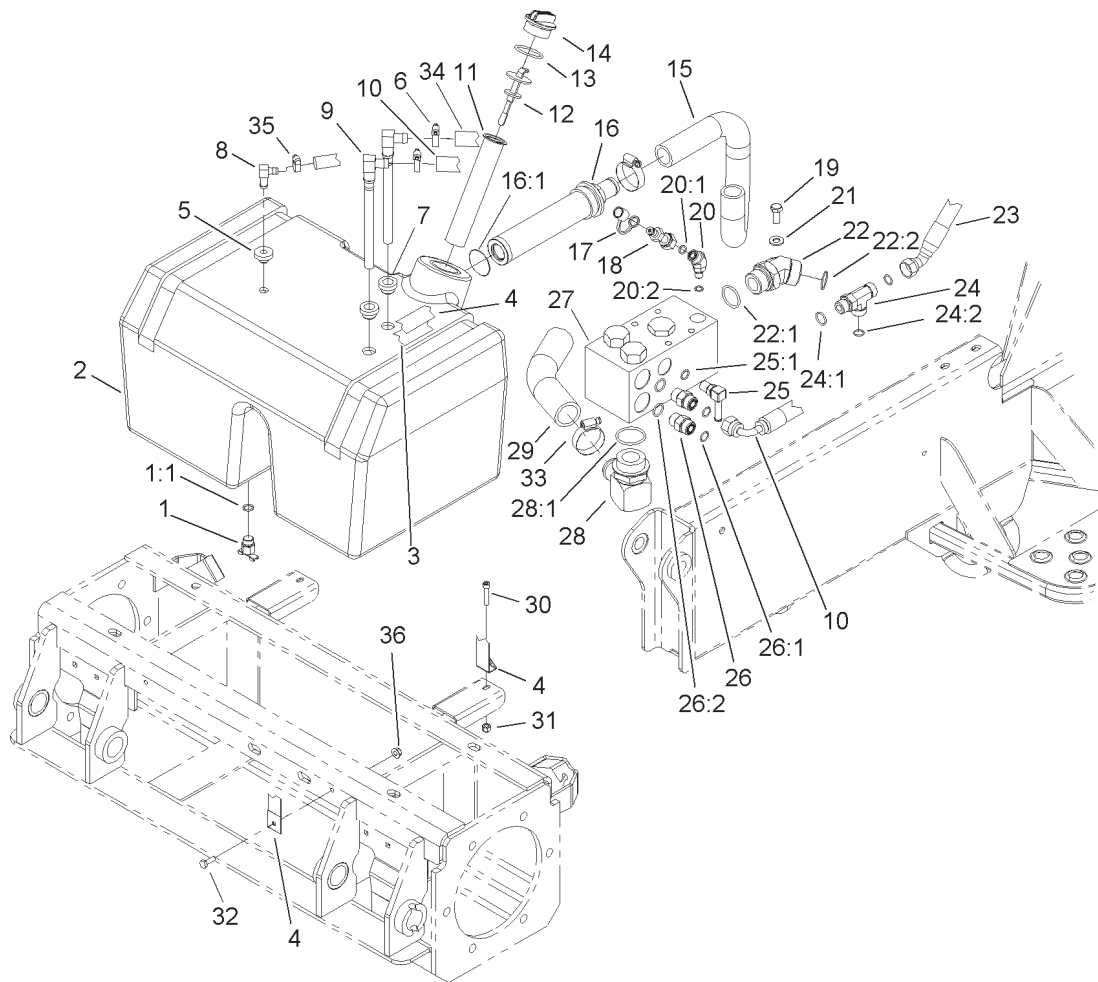


Sheet No.:19

## Fan Drive and Flywheel Assembly

Ref. No.	Part No.	Qty.	Description
1	105-0750	1	Fan
2	104-2212	1	Clutch-Fan
3	322-2	8	Screw-HH
4	3253-4	8	Washer-Lock
5	100-3066	1	Adapter-Fan
6	52-6290	4	Screw-HSH
7	98-3817	1	Solenoid Kit
7:7	33113-025	3	Screw-HH
7:8	33113-016	2	Screw-HH
7:9	48-8020	5	Washer-Spring
7:10	33013-00	2	Nut-Hex
7:11	33093-00	3	Washer-Flat
7:12	3272-2	1	Pin-Cotter
8	100-5633	1	Spacer-Coupling
9	58-3590	2	Dowel
10	3253-4	6	Washer-Lock
11	100-5634	2	Bolt-Shoulder
12	33114-020	4	Screw-HH
13	92-1753	1	Coupling-Spring
14	100-5635	2	Pin-Plate
15	70-8470	6	Screw-HH
16	100-5632-03	1	Plate-Adapter
17	48-9590	14	Washer-Lock
18	43-0090	8	Screw-HH
27	104-7540-03	1	Support-Cable
28	2411-38	1	Joint-Ball

Ref. No.	Part No.	Qty.	Description
29	3256-51	1	Washer-Flat
30	3296-21	1	Nut-Lock, NI
31	98-9346	1	Sender-Temperature
32	18-2770	1	Cable-Ground
33	42-9250	1	Bolt
34	105-7475	1	Harness-Wire, Rear
34:1	100-4918	3	Diode
35	100-5552	1	Harness-Wire
36	99-3441	1	Harness-Wire, Fusible Link
37	3255-2	1	Washer-Lock/Ext
38	3255-8	1	Washer-Lock
40	3290-378	2	Tie-Cable

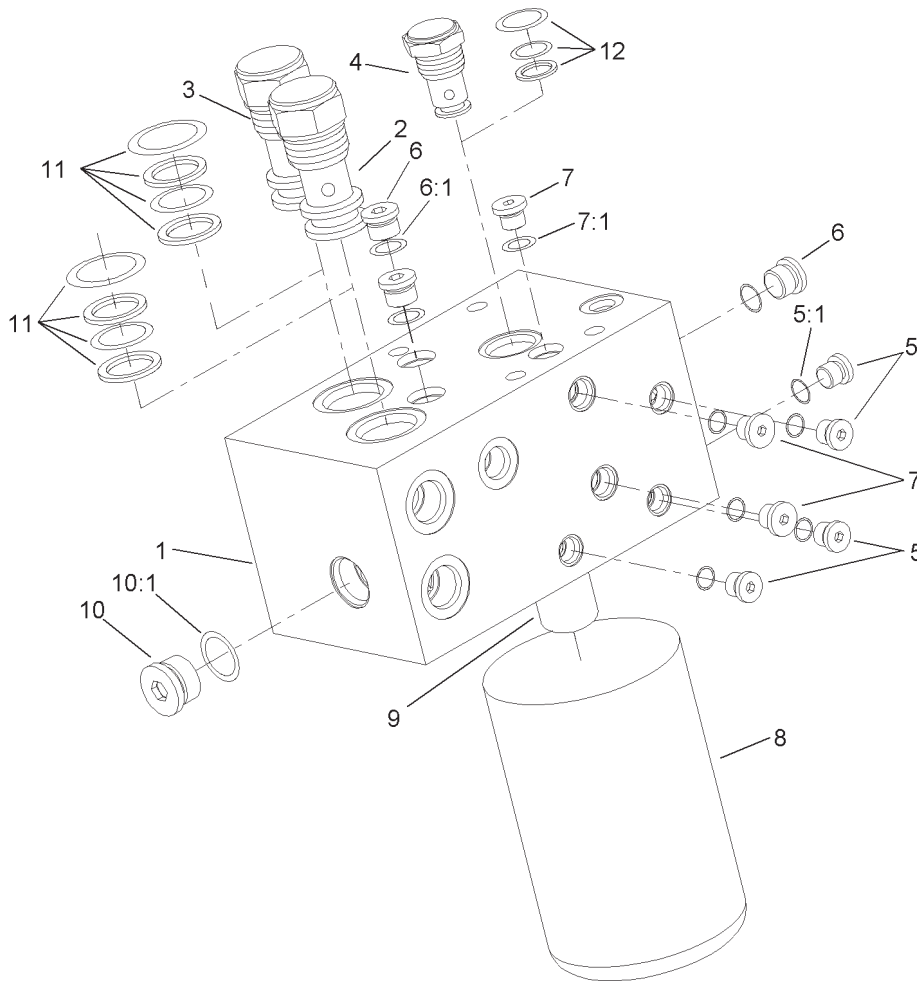


Sheet No.:20

## Hydraulic Reservoir and Filter Assembly

Ref. No.	Part No.	Qty.	Description
1	104-8334	1	Petcock
1:1	237-42	1	O-Ring
2	104-0703	1	Reservoir-HYD
3	93-5273	2	Strap-Felt
4	104-0794	2	Strap
5	46-6560	1	Bushing
6	2412-36	2	Clamp-Hose
7	104-0790	2	Bushing
8	46-6550	1	Fitting-HYD, 90°
9	104-0791	2	Pipe-Stand
10	100-5522	1	Hose ASM
11	61-2790	1	Filter-Screen
12	105-2812	1	Dipstick ASM
13	94-8166	1	O-Ring
14	93-7498	1	Plug-Plastic
15	100-5528	1	Hose-Suction
16	104-7546	1	Strainer-Tank
16:1	340-136	1	O-Ring
17	354-79	1	Cap-Dust
18	86-5480	1	Nipple-Test
19	323-5	3	Screw-HH
20	340-54	1	Elbow-45°
20:1	237-22	1	O-Ring
20:2	237-78	1	O-Ring
21	3256-24	3	Washer-Flat
22	104-3509	1	Fitting-HYD, 45°

Ref. No.	Part No.	Qty.	Description
22:1	237-146	1	O-Ring
22:2	340-65	1	O-Ring
23	100-5521	1	Hose ASM
24	340-109	1	Fitting-HYD, Tee
24:1	237-79	1	O-Ring
24:2	237-30	2	O-Ring
25	354-135	1	Fitting-HYD, 90°
25:1	237-42	1	O-Ring
26	340-4	2	Fitting-HYD, Sraight
26:1	237-30	1	O-Ring
26:2	237-79	1	O-Ring
27	100-5558	1	Manifold-Filter
28	92-7526	1	Fitting-HYD, 90°
28:1	237-101	1	O-Ring
29	104-0728	1	Hose-Filter
30	3274-51	2	Screw-HSH
31	3296-42	2	Nut-Lock, NI
32	321-4	2	Screw-HH
33	2412-1 11	2	Clamp
34	100-5592	1	Hose
35	2412-108	1	Clamp-W orm
36	32128-33	2	Nut-HF



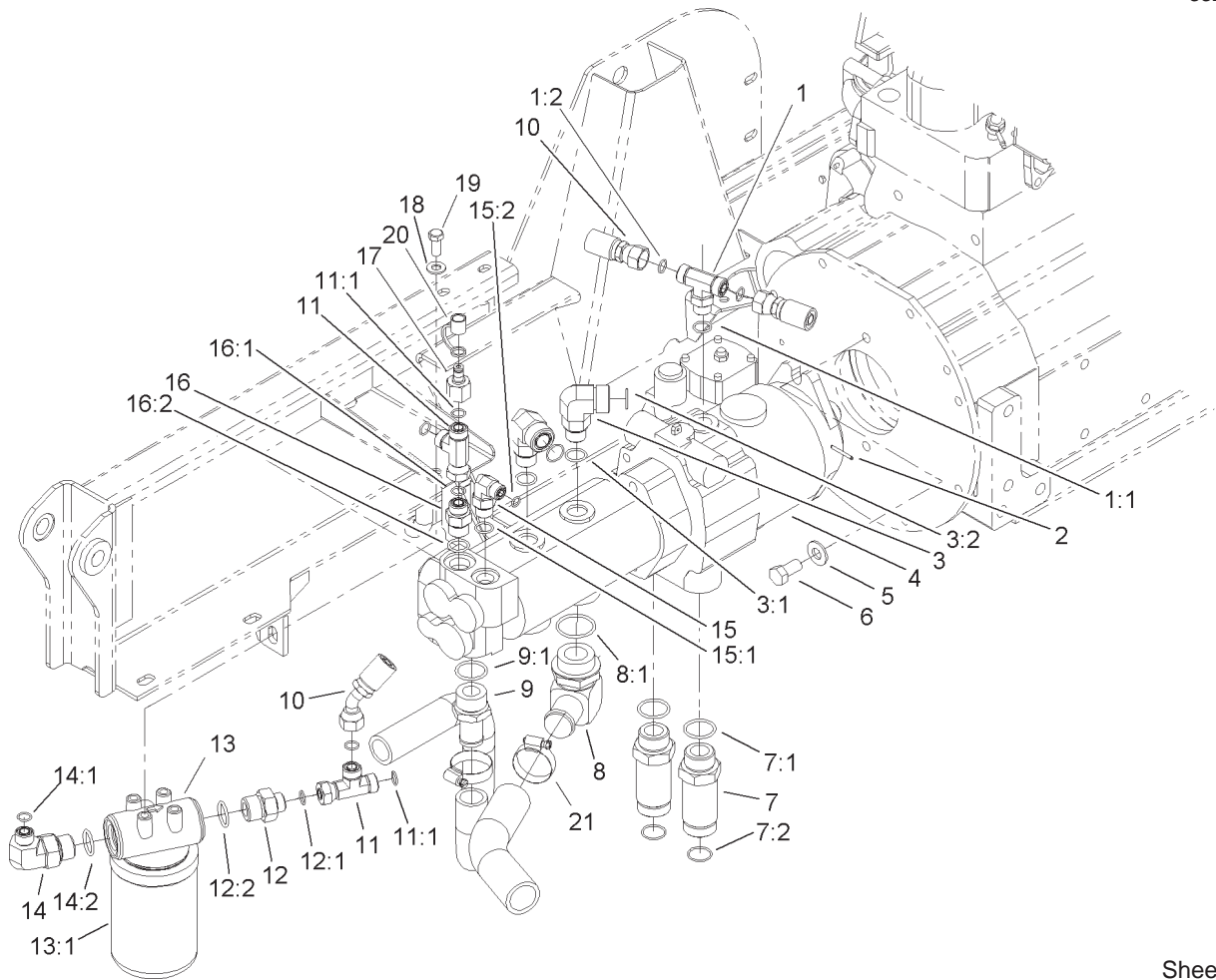
Sheet No.:C4

## Filter Manifold Assembly No. 100-5558

Ref. No.	Part No.	Qty.	Description
☆1		1	Manifold
2	104-4292	1	Valve-Check
3	104-4293	1	Valve-Check
4	104-4294	1	Valve-Check
5	353-990	4	Plug
5:1	237-78	1	O-Ring
6	353-989	3	Plug-Hex, Hollow
6:1	237-42	1	O-Ring
7	354-137	3	Plug
7:1	237-86	1	O-Ring
8	94-2621	1	Element-Filter
☆9		1	Nipple-Filter
10	354-70	1	Plug-Hex, Hollow
10:1	237-80	1	O-Ring
11	99-5504	2	Seal Kit
12	99-5503	1	Seal Kit

Ref. No.	Part No.	Qty.	Description

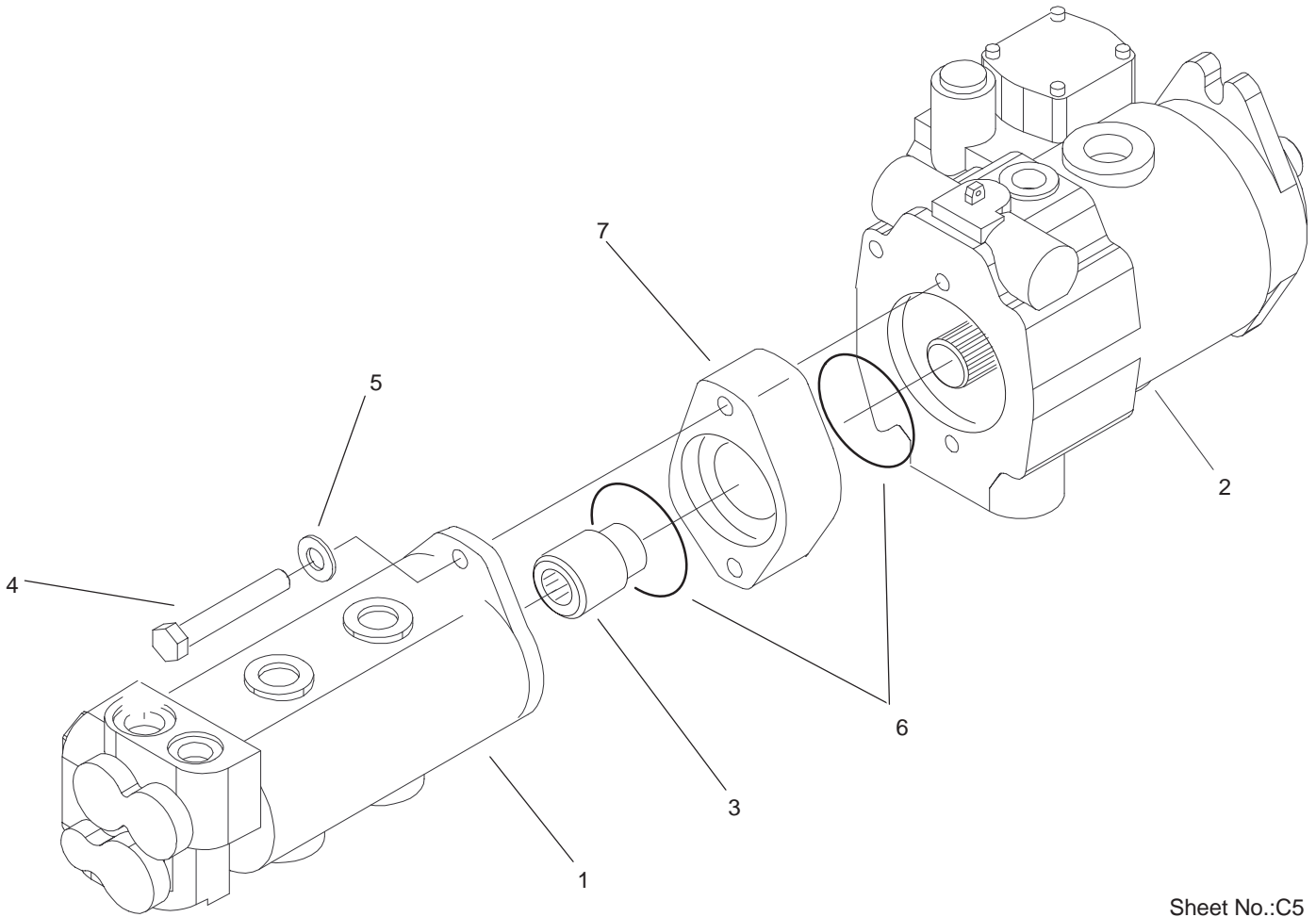
☆ Not serviced separately



Sheet No.:21

## Pump and Filter Installation Assembly

Ref. No.	Part No.	Qty.	Description	Ref. No.	Part No.	Qty.	Description
1	340-157	1	Fitting-HYD	14:1	237-30	1	O-Ring
1:1	237-79	1	O-Ring	14:2	237-81	1	O-Ring
1:2	237-30	2	O-Ring	15	340-18	1	Fitting-HYD, 90°
2	32121-77	1	Pin-Roll	15:1	237-79	1	O-Ring
3	340-16	2	Fitting-HYD, 90	15:2	237-22	1	O-Ring
3:1	237-80	1	O-Ring	16	340-6	1	Fitting-HYD, Straight
3:2	237-58	1	O-Ring	16:1	237-30	1	O-Ring
4	105-7377	1	Pump ASM	16:2	237-80	1	O-Ring
5	87-7270	2	Washer-Thrust	17	100-5616	1	Fitting-HYD
6	3213-1	2	Screw-HH	18	3256-24	2	Washer-Flat
7	100-5565	2	Fitting-HYD	19	323-5	2	Screw-HH
7:1	237-146	1	O-Ring	20	354-79	1	Cap-Dust
7:2	340-65	1	O-Ring	21	2412-111	2	Clamp
8	92-7526	1	Fitting-HYD, 90°				
8:1	237-101	1	O-Ring				
9	354-78	1	Connector-Hose				
9:1	237-146	1	O-Ring				
10	100-5521	1	Hose ASM				
11	340-104	2	Tee-Fitting				
11:1	237-30	2	O-Ring				
12	100-4240	1	Fitting-Adapter				
12:1	237-30	1	O-Ring				
12:2	237-81	1	O-Ring				
13	93-2242	1	Oil Filter ASM				
13:1	75-1310	1	Element-Filter				
14	340-131	1	Fitting-Elbow, 90				

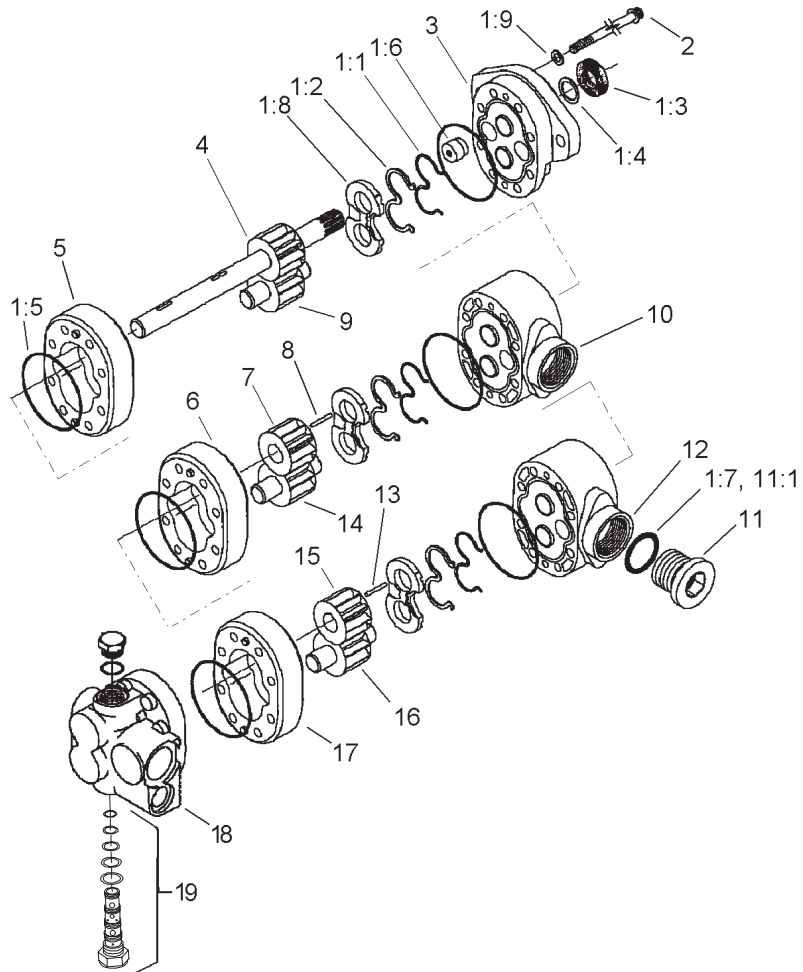


Sheet No.:C5

### Pump Assembly No. 105-7377

Ref. No.	Part No.	Qty.	Description
1	105-7378	1	Gear Pump ASM
2	105-4567	1	Pump-Piston
3	74-9030	1	Coupler
4	323-32	2	Screw-HH
5	60-3540	2	Washer
6	60-3520	2	O-Ring
7	105-2869	1	Spacer

Ref. No.	Part No.	Qty.	Description



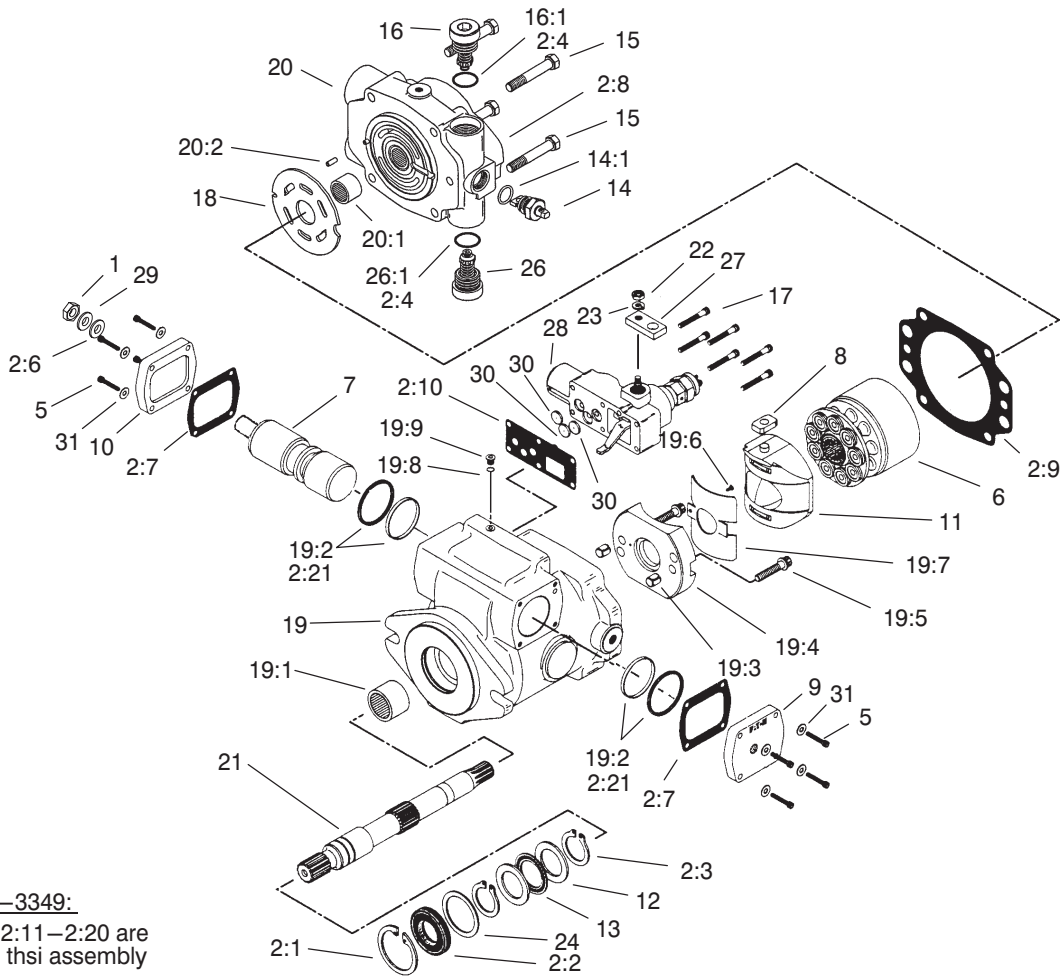
Sheet No.:C6

## Gear Pump Assembly No. 105-7378

Ref. No.	Part No.	Qty.	Description
1	105-2868	1	Seal Kit
☆1:1		3	Gasket-Back Up
☆1:2		3	Seal-Balance
1:3	49-2640	1	Seal-Shaft
1:4	60-5890	1	Washer
☆1:5		6	O-Ring
☆1:6		1	Plug
☆1:7		1	O-Ring
☆1:8		3	Plate-W ear
☆1:9		4	Washer
2	106-6872	8	Screw-Cap
☆3		1	Front Plate ASM
☆4		1	Drive Gear ASM
☆5		1	Body
☆6		1	Body
☆7		1	Gear
☆8		1	Key
☆9		1	Gear-Idler
☆10		1	Plate-Adaptor
11	94-3013	1	Plug
☆11:1		1	O-Ring
☆12		1	Plate-Adaptor
☆13		1	Key
☆14		1	Gear-Idler
☆15		1	Gear
☆16		1	Gear-Idler

Ref. No.	Part No.	Qty.	Description
☆17		1	Body
☆18		1	Backplate ASM
19	105-2870	1	Valve-Proportional

☆ Not serviced separately



Seal Kit 105-3349:  
 items 2:5, 2:11-2:20 are  
 not used in thsi assembly

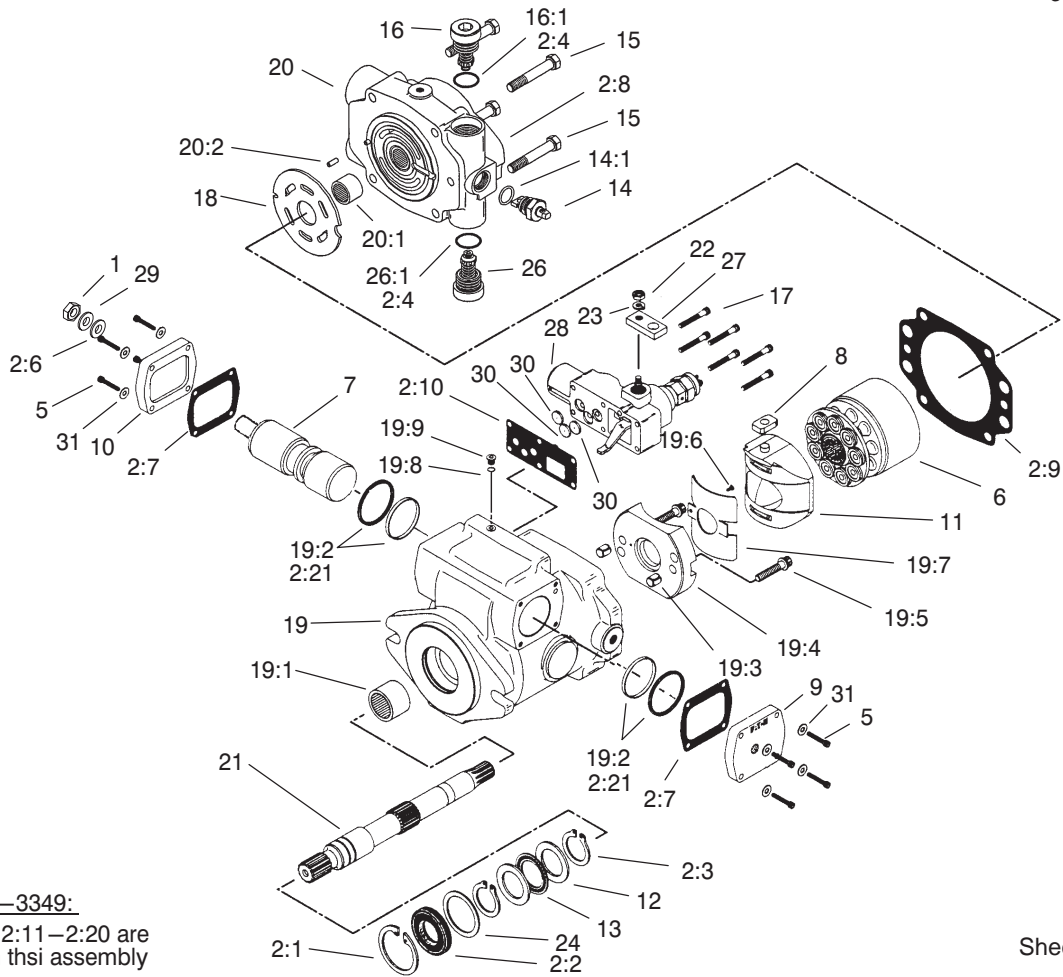
Sheet No.:C7  
 T-3833

## Piston Pump Assembly No. 105-4567

Ref. No.	Part No.	Qty.	Description
1	3220-2	1	Nut
2	105-3349	1	Seal Kit
2:1	60-6260	1	Ring
2:2	105-3331	1	Seal-Shaft
2:3	76-7000	2	Ring-Retaining
☆2:4		4	O-Ring
2:5	93-6314	2	O Ring
2:6	94-3027	1	Washer-Seal
2:7	93-6339	2	Gasket
2:8	105-2905	1	O Ring-Molded
2:9	105-2900	1	Gasket-Housing
2:10	105-2901	1	Gasket-Housing, Control
2:11	60-3520	1	O-Ring
2:12	60-3180	1	Ring
2:13	93-6372	1	Ring-Quad
☆2:14		1	O-Ring
☆2:15		1	Ring-Retaining
2:16	93-6290	1	O Ring
2:17	74-9380	1	O Ring
2:18	93-6296	1	O Ring
☆2:19		1	Seal-Wiper
☆2:20		1	O-Ring
☆2:21		2	Seal ASM
5	3274-81	8	Screw-HSH
6	93-6322	1	Rotating Kit

Ref. No.	Part No.	Qty.	Description
7	105-4572	1	Servo Piston ASM
8	94-3032	1	Follower-Piston
9	94-3033	1	Plate-Cover
10	94-3034	1	Plate-Cover
11	94-3026	1	Camplate ASM
12	76-6950	2	Race-Thrust
13	76-6960	1	Bearing-Thrust
14	105-2864	1	Valve-Bypass
☆14:1		1	O-Ring
15	323-45	4	Screw-HH
16	105-2857	1	Valve-Relief
☆16:1		1	O-Ring
17	3274-59	6	Screw-HSH
18	94-3022	1	Plate-V alve
19	105-2859	1	Housing ASM
☆19:1		1	Bearing
☆19:2		2	Seal
☆19:3		2	Dowel-Bushing
☆19:4		1	Cradle ASM
☆19:5		2	Screw
☆19:6		1	Screw
☆19:7		1	Bushing
☆19:8		1	O-Ring
☆19:9		1	Plug
20	105-2860	1	Backplate ASM
☆20:1		1	Bearing

☆ Not serviced separately



Seal Kit 105-3349:

items 2:5, 2:11-2:20 are not used in this assembly

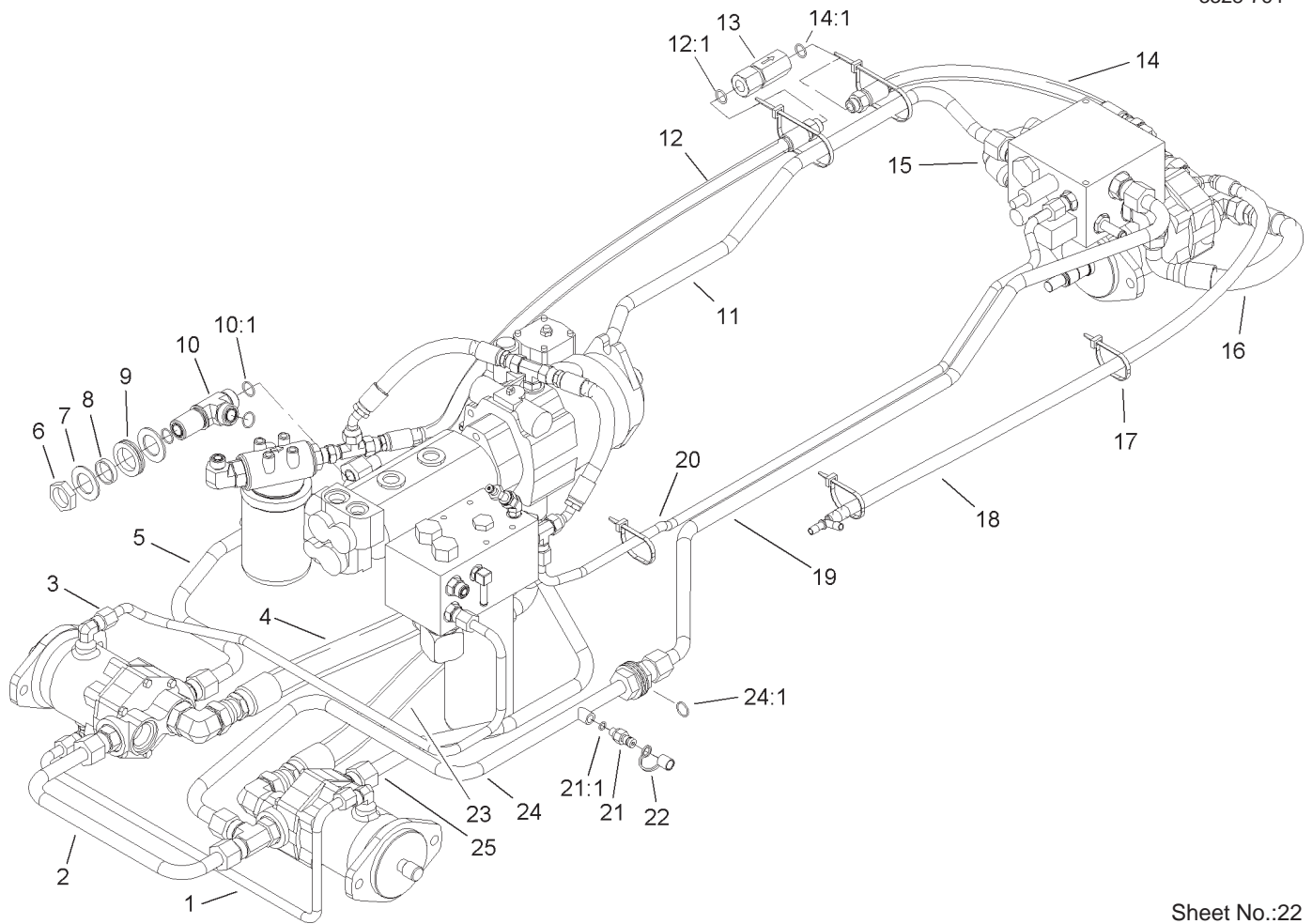
Sheet No.:C7  
T-3833

## Piston Pump Assembly No. 105-4567

Ref. No.	Part No.	Qty.	Description	Ref. No.	Part No.	Qty.	Description
☆20:2		1	Pin-Roll				
21	105-2861	1	Shaft-Drive				
22	3217-5	1	Nut-Hex				
23	3253-3	1	Washer-Lock				
24	94-3007	1	Washer				
26	105-2858	1	Valve-Relief				
☆26:1		1	O-Ring				
27	105-2862	1	Arm-Control				
28	93-6306	1	Control ASM				
29	94-3030	1	Washer				
30	105-2863	3	Orifice				
31	3256-77	8	Washer-Flat				

☆ Not serviced separately



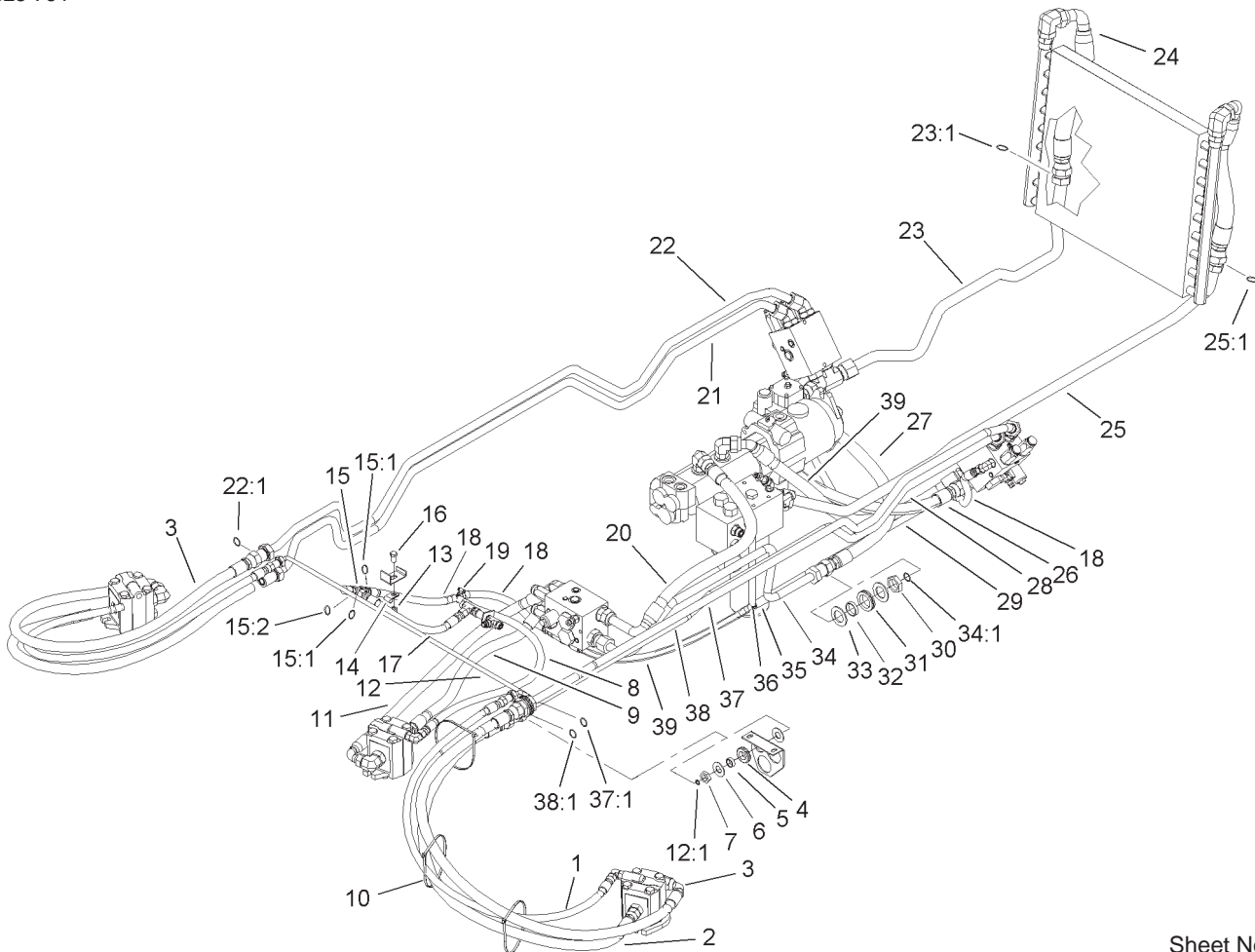


Sheet No.:22

## Hydraulic Plumbing Assembly

Ref. No.	Part No.	Qty.	Description
1	100-3095	1	Tube-HYD, Drain & Motors
2	100-5574	1	Tube-HYD, Motor Front
3	104-0793	1	Tube-HYD, Drain Motor & Filter
4	100-5525	1	Hose ASM
5	104-3581	1	Tube-HYD, RH Motor
6	340-126	2	Nut-Bulkhead
7	69-8910	4	Washer
8	69-8900	2	Spacer
9	240-7	2	Grommet-Rubber
10	104-3558	1	Fitting-Bulkhead
10:1	237-58	3	O-Ring
11	100-5571	1	Tube-HYD, RH Rear Traction
12	104-2237	1	Hose ASM
12:1	237-79	1	O-Ring
13	100-5600	1	Valve-Check
14	100-5617	1	Hose ASM
14:1	237-79	1	O-Ring
15	104-3502	1	Hose ASM
16	100-5579	1	Hose ASM
17	3290-378	7	Tie-Cable
18	100-5614	1	Hose ASM

Ref. No.	Part No.	Qty.	Description
19	100-5572	1	Tube-HYD, LH Rear Traction
20	105-4508	1	Tube-HYD, LH Charge
21	354-77	2	Fitting-Quick
21:1	237-78	1	O-Ring
22	354-79	2	Cap-Dust
23	100-5524	1	Hose ASM
24	100-5573	1	Tube-HYD, LH Front Motor
24:1	237-58	1	O-Ring
25	104-3582	1	Tube-HYD, LH Motor



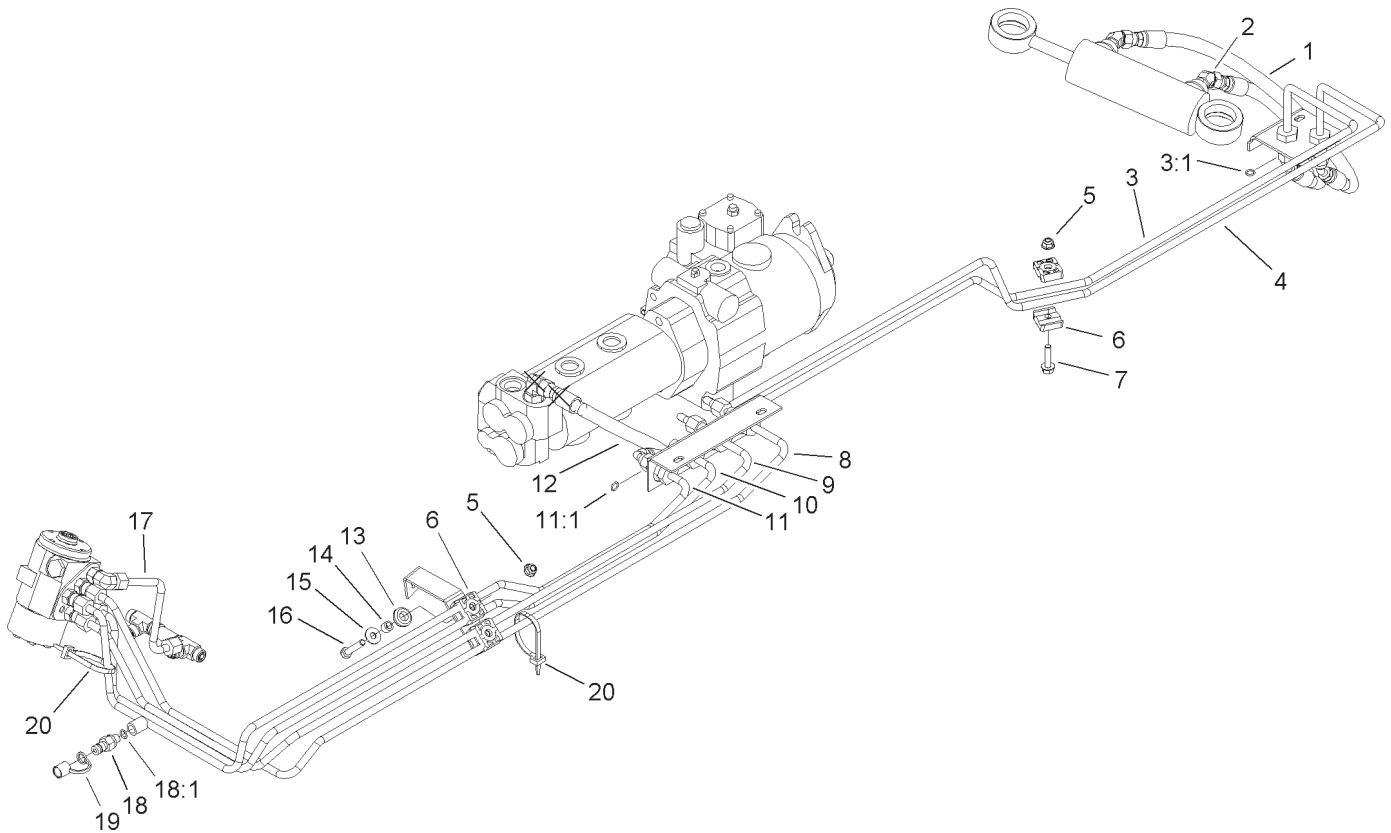
Sheet No.:23

## Power Take Off Hydraulic Assembly

Ref. No.	Part No.	Qty.	Description
1	105-7462	2	Hose ASM
2	105-7460	2	Hose ASM
3	105-7461	2	Hose ASM
4	240-4	2	Grommet-Rubber
5	69-8970	2	Spacer
6	69-8940	4	Washer
7	340-70	2	Nut-Lock
8	106-7208	1	Hose ASM
9	105-7459	1	Hose ASM
10	3290-379	9	Tie-Cable
11	98-7404	1	Hose ASM
12	105-7374	1	Tube-HYD
12:1	237-22	2	O-Ring
13	3296-39	1	Nut-Lock, NI
14	2412-1 13	1	Clamp
15	340-86	1	Fitting-HYD, Tee
15:1	237-22	2	O-Ring
15:2	237-42	1	O-Ring
16	323-4	1	Screw-HH
17	92-7833	1	Hose ASM
18	100-5641	3	Hose ASM
19	2412-36	12	Clamp-Hose
20	95-0961	1	Hose ASM
21	105-7366	1	Tube-HYD
21:1	237-58	1	O-Ring
22	105-7365	1	Tube-HYD

Ref. No.	Part No.	Qty.	Description
22:1	237-58	1	O-Ring
23	104-0796	1	Tube-HYD, RH Cooler
23:1	340-65	1	O-Ring
24	100-5568	2	Hose ASM
25	104-0797	1	Tube-HYD, LH Cooler
25:1	340-65	1	O-Ring
26	100-5645	1	Hose ASM
27	104-2235	1	Hose ASM
28	104-2264	1	Hose ASM
29	100-5649	2	Hose
30	340-126	5	Nut-Bulkhead
31	240-7	5	Grommet-Rubber
32	69-8900	5	Spacer
33	69-8910	10	Washer
34	104-0795	1	Tube-HYD, Front PTO
34:1	237-58	1	O-Ring
35	100-5607	1	Hose
36	354-107	4	Fitting-HYD, Tee
37	105-7363	1	Tube-HYD
37:1	237-58	1	O-Ring
38	105-7364	1	Tube-HYD
38:1	237-58	1	O-Ring
39	100-5570	2	Hose ASM





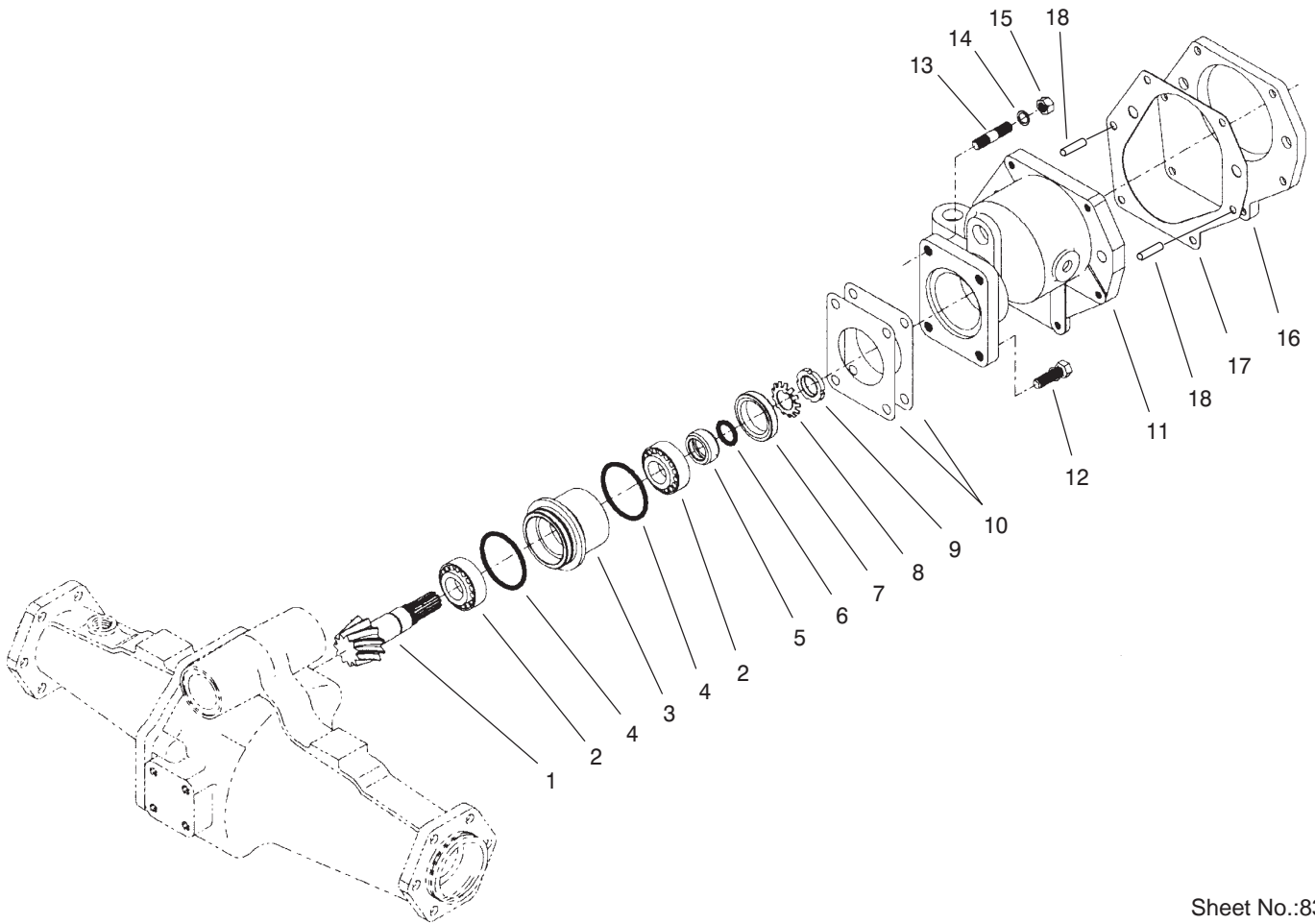
Sheet No.:25

## Steering Hydraulic Assembly

Ref. No.	Part No.	Qty.	Description
1	92-7538	1	Hose ASM
2	92-7539	1	Hose ASM
3	100-5576	1	Tube-HYD, RH Rear Steering
3:1	237-22	1	O-Ring
4	100-5575	1	Tube-HYD, LH Rear Steering
*4:1	237-22	1	O-Ring
5	104-8300	3	Nut-Flange, NI
6	56-7973	6	Clamp-Tube
7	3234-36	1	Screw-HHF
8	100-3091	1	Tube-HYD, LH Front Steering
*8:1	237-22	1	O-Ring
9	100-3092	1	Tube-HYD, RH Front Steering
*9:1	237-22	1	O-Ring
10	100-3093	1	Tube-HYD, Beyond Power Steering
*10:1	237-22	1	O-Ring
11	100-3090	1	Tube-HYD, Pressure Steering
11:1	237-22	1	O-Ring
12	69-5440	1	Hose ASM
13	93-5108	2	Grommet-Rubber
14	93-5109	2	Spacer

Ref. No.	Part No.	Qty.	Description
15	3256-71	2	Washer-Flat
16	322-8	2	Screw-HH
17	100-5588	1	Tube-HYD, Steer & Drain
18	354-77	1	Fitting-Quick
18:1	237-78	1	O-Ring
19	354-79	1	Cap-Dust
20	3290-378	2	Tie-Cable

\* Not illustrated



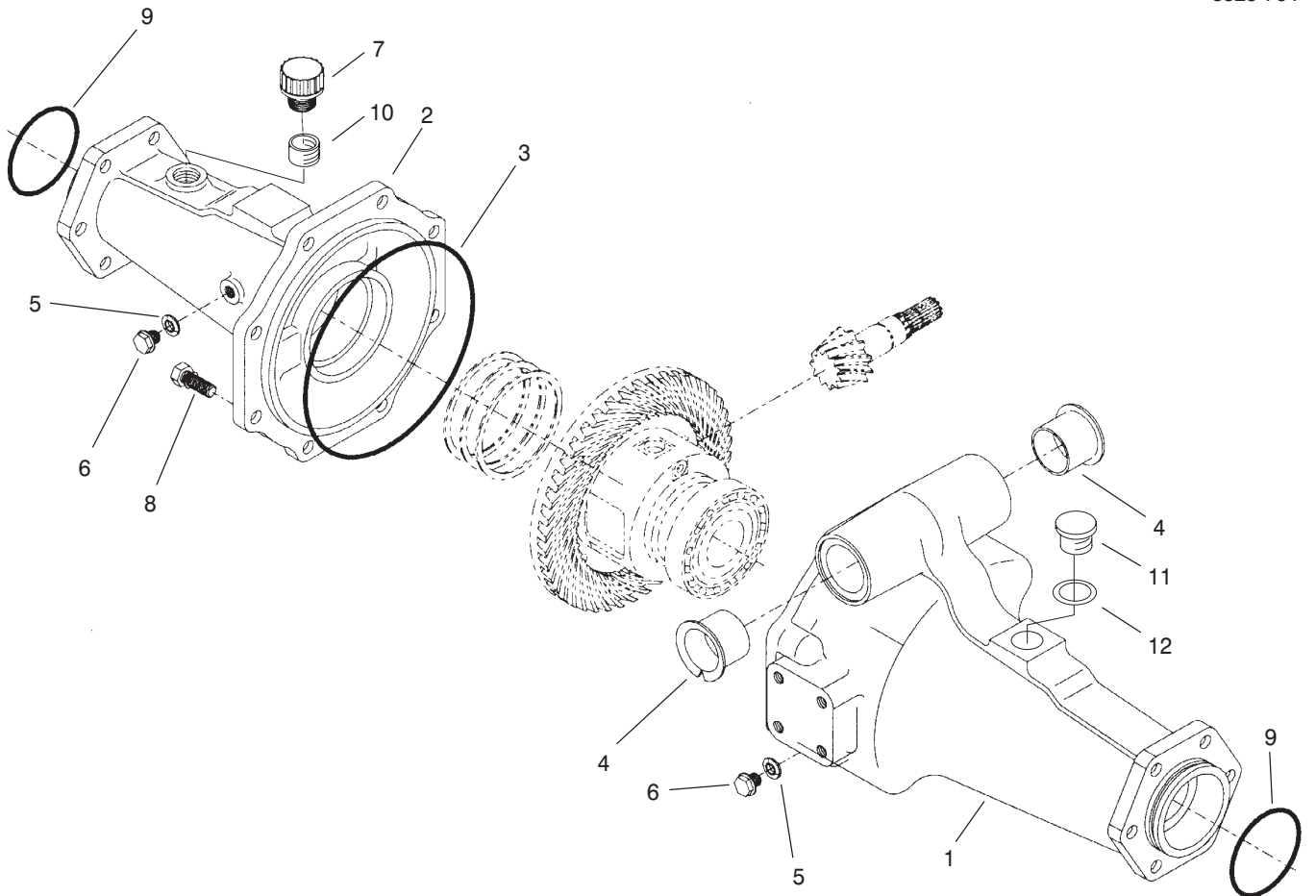
Sheet No.:83  
T-3202-1

## Bevel Pinion Shaft Assembly Rear Axle Assembly No. 100-3784

Ref. No.	Part No.	Qty.	Description
1	100-2555	1	Ring And Pinion Matched Set
2	99-7570	2	Bearing-Roller, Taper
3	95-7534	1	Case-Bearing
4	99-7571	2	O-Ring
5	99-7572	1	Collar-Seal, Oil
6	99-7573	1	O-Ring
7	99-7574	1	Seal-Oil
8	99-7559	1	Washer-Lock
9	99-7560	1	Nut-Lock
10	99-7550	2	Shim 0.1
10	99-7551	2	Shim 0.2
11	95-7533	1	Case-Gear
12	99-7575	2	Bolt
13	100-2556	2	Stud
14	99-7527	2	Washer-Spring
15	99-7526	2	Nut
16	95-7541	1	Plate-Cover
17	95-7540	1	Gasket
18	104-2353	2	Pin-Dowel

Ref. No.	Part No.	Qty.	Description



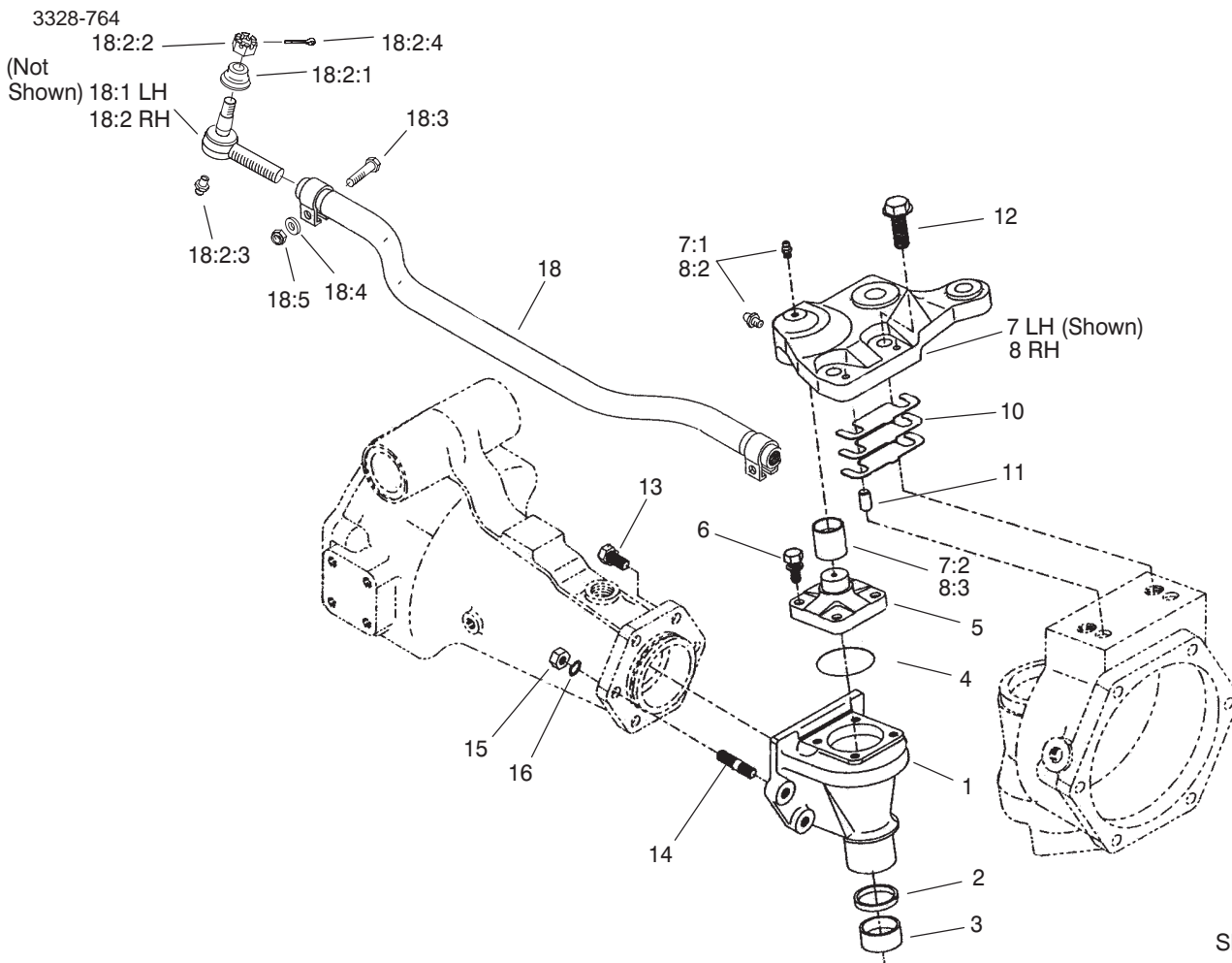


Sheet No.:85  
T-3204-1

### Axle Support Assembly Rear Axle Assembly No. 100-3784 (Continued)

Ref. No.	Part No.	Qty.	Description
1	95-7508	1	Support-Axle
2	95-7506	1	Support-Axle
3	95-7507	1	O-Ring
4	95-7537	2	Bushing-Flanged
5	99-7590	2	Washer-Seal
6	99-7589	2	Plug
7	99-7591	1	Oil Plug ASM
8	99-7592	8	Bolt
9	99-7593	2	O-Ring
10	104-2377	1	Extension-V ent
11	104-8643	1	Plug
12	104-8644	1	O-Ring

Ref. No.	Part No.	Qty.	Description



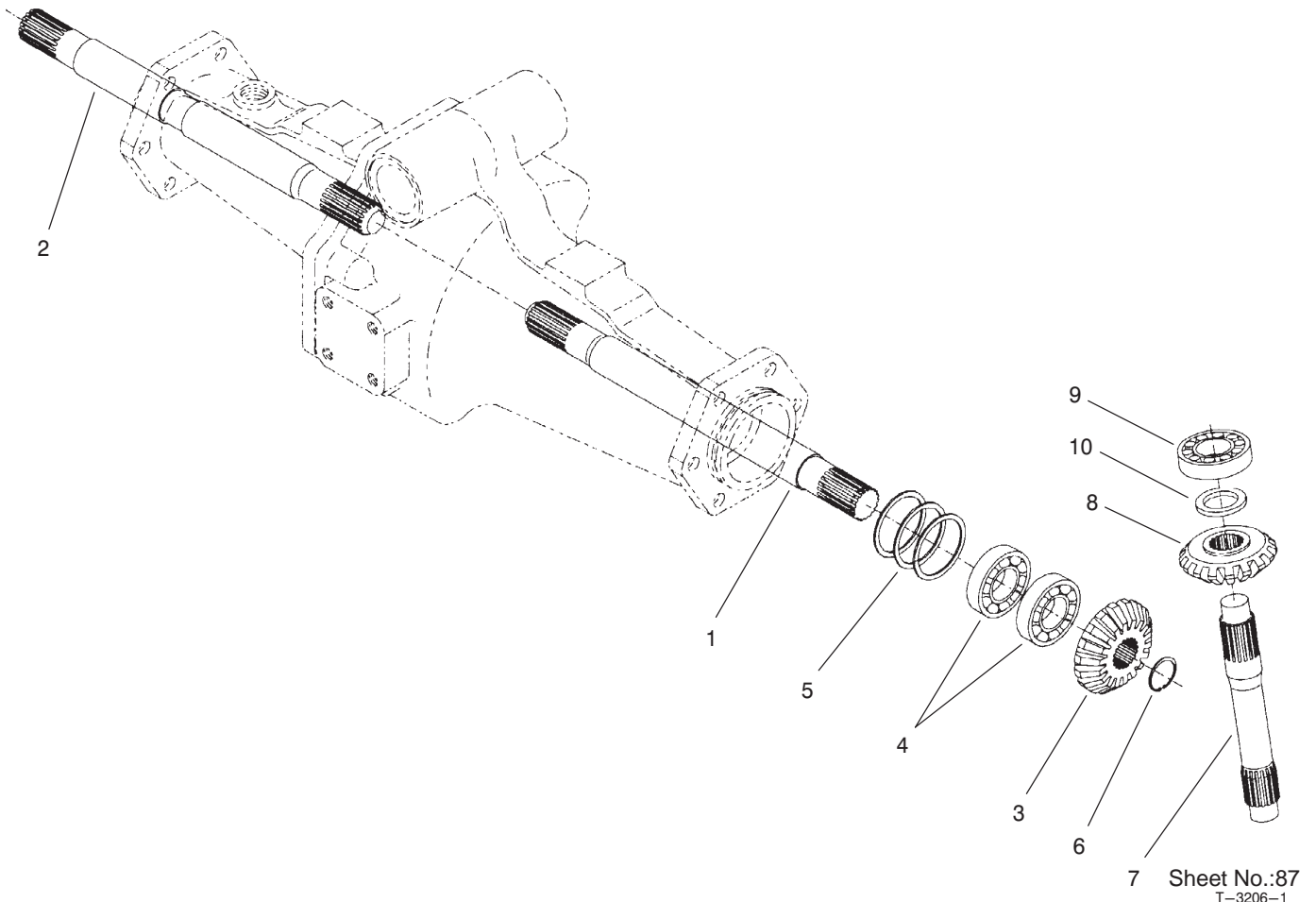
Sheet No.:86  
T-3503

## Bevel Gear Case Assembly Rear Axle Assembly No. 100-3784 (Continued)

Ref. No.	Part No.	Qty.	Description
1	95-7538	2	Case-Gear , Bevel
2	100-2557	2	Seal-Oil
3	104-2378	2	Bushing
4	104-2372	2	O-Ring
5	104-2373	2	Knuckle
6	104-2374	8	Bolt
7	100-3768	1	LH Steering Arm ASM
7:1	302-5	2	Fitting-Grease
7:2	104-8634	1	Bushing
8	100-3766	1	RH Steering Arm ASM
8:2	302-5	2	Fitting-Grease
8:3	104-8634	1	Bushing
10	95-7547	2	Shim 0.1
10	95-7548	2	Shim 0.2
10	95-7549	2	Shim 0.4
11	99-7597	4	Pin-Dowel
12	104-2375	4	Bolt
13	99-7599	8	Bolt
14	99-7525	4	Stud
15	99-7526	4	Nut
16	99-7527	4	Washer-Spring
18	100-3762	1	Tie Rod ASM
*18:1	100-3851	1	LH Tie Rod End ASM
*18:1:1	100-3853	1	Cover-Dust

Ref. No.	Part No.	Qty.	Description
*18:1:2	100-3854	1	Nut-Castle
*18:1:3	302-5	1	Fitting-Grease
*18:1:4	3272-1 1	1	Pin-Cotter
18:2	100-3852	1	RH Tie Rod End ASM
18:2:1	100-3853	1	Cover-Dust
18:2:2	100-3854	1	Nut-Castle
18:2:3	302-5	1	Fitting-Grease
18:2:4	3272-1 1	1	Pin-Cotter
18:3	100-3855	2	Bolt
18:4	99-7527	2	Washer-Spring
18:5	99-7526	2	Nut

\* Not illustrated

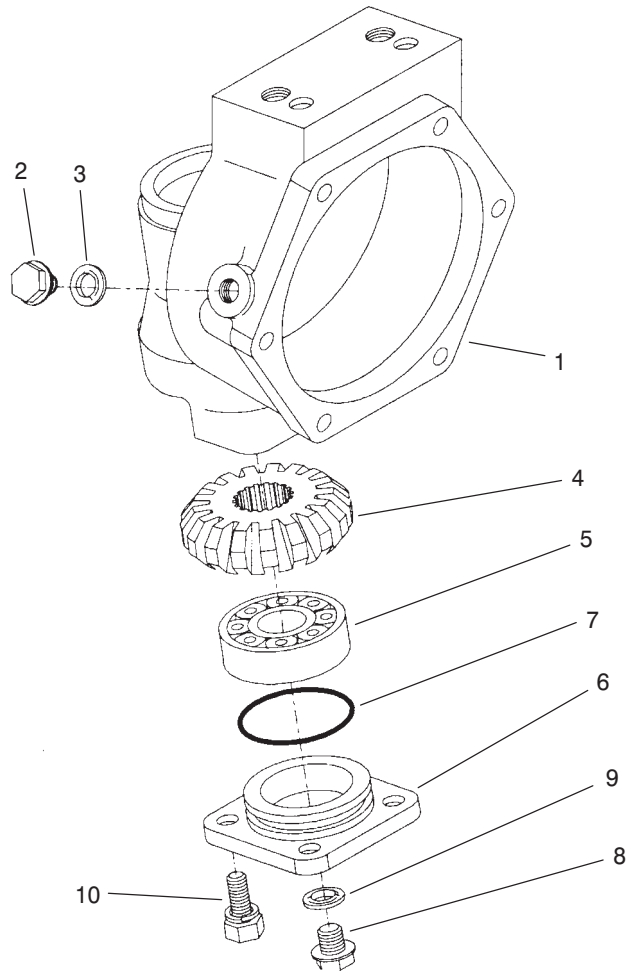


7 Sheet No.:87  
T-3206-1

## Bevel Gear Shaft Assembly Rear Axle Assembly No. 100-3784 (Continued)

Ref. No.	Part No.	Qty.	Description
1	95-7509	1	Shaft-Gear , Differential
2	95-7512	1	Shaft-Gear , Differential
3	95-7517	2	Gear-Bevel, 15 Tooth
4	99-7530	4	Bearing-Ball
5	99-7552	2	Shim 0.1
5	99-7553	2	Shim 0.2
5	99-7554	2	Shim 0.5
6	99-7531	2	Clip
7	95-7529	2	Shaft-Gear , Bevel
8	95-7519	2	Gear-Bevel, 17 Tooth
9	99-7532	2	Bearing-Roller , Taper
10	99-7558	2	Collar

Ref. No.	Part No.	Qty.	Description

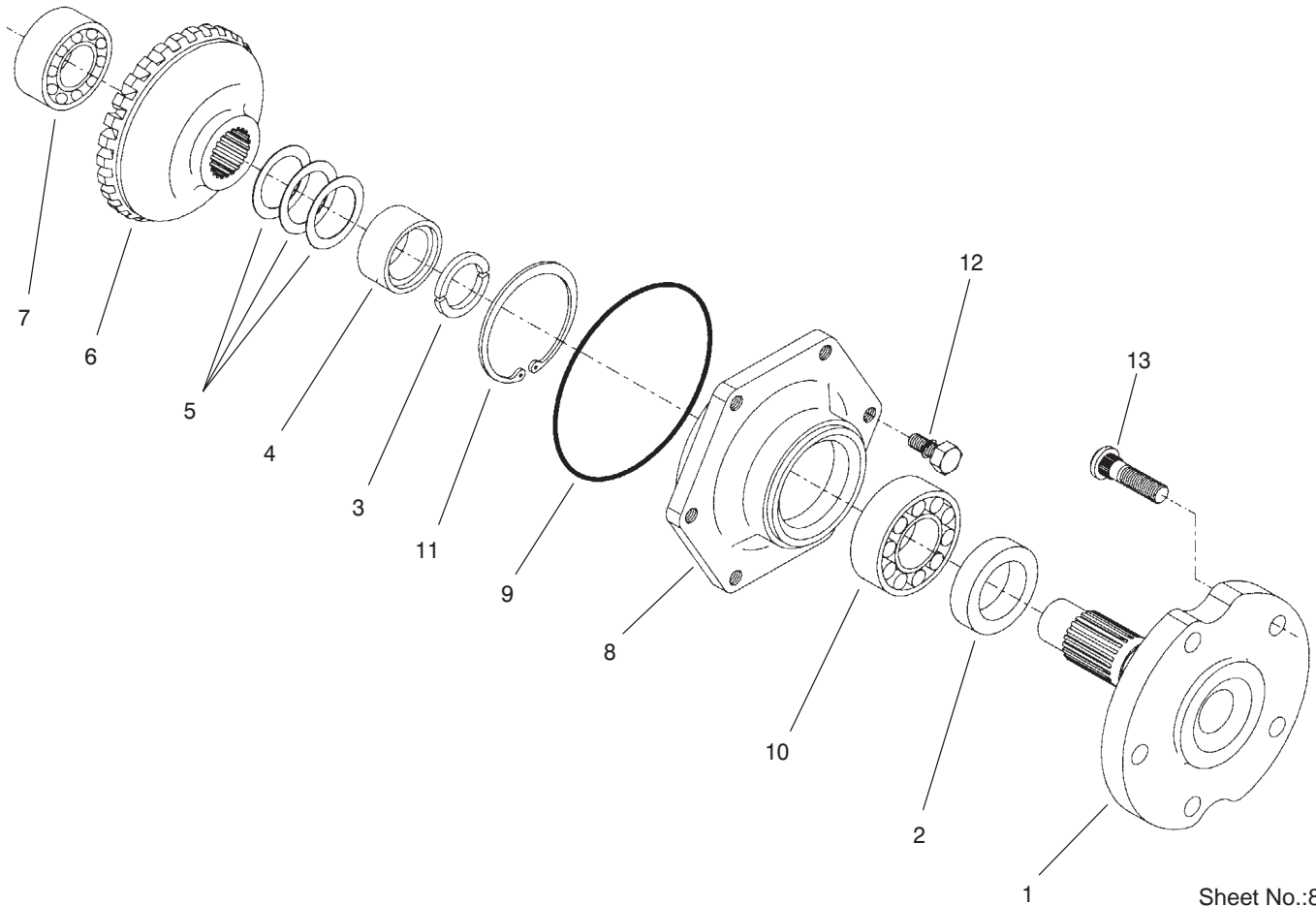


Sheet No.:88  
T-3207-1

## Axle Case Assembly Rear Axle Assembly No. 100-3784 (Continued)

Ref. No.	Part No.	Qty.	Description
1	95-7531	2	Case-Axle
2	99-7535	2	Plug
3	99-7536	2	Washer-Seal
4	95-7527	2	Gear-Bevel, 17 Tooth
5	99-7532	2	Bearing-Roller, Taper
6	100-2560	2	Cover
7	100-2561	2	O-Ring
8	99-7589	2	Plug
9	99-7590	2	Washer-Seal
10	100-2562	8	Bolt

Ref. No.	Part No.	Qty.	Description

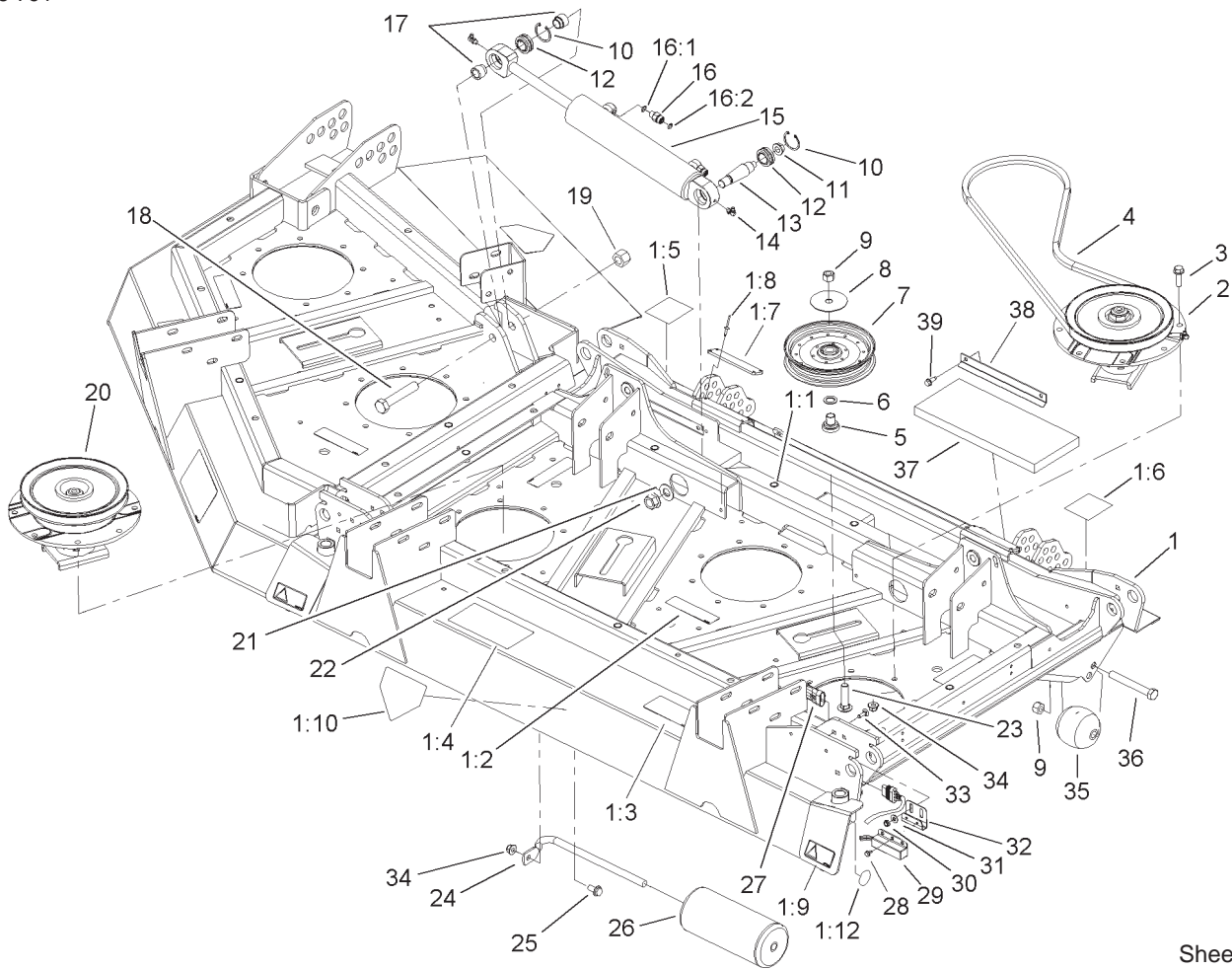


Sheet No.:89  
T-3108-1

## Axle Assembly Rear Axle Assembly No. 100-3784 (Continued)

Ref. No.	Part No.	Qty.	Description
1	95-7522	2	Axle
2	99-7564	2	Seal-Oil
3	95-7544	4	Clip
4	95-7523	2	Spacer
5	99-7555	2	Shim 0.3
5	99-7556	2	Shim 0.2
5	99-7557	2	Shim 0.5
6	95-7524	2	Gear-Bevel, 29 Tooth
7	99-7534	2	Bearing-Ball
8	95-7521	2	Cover-Axle
9	99-7538	2	O-Ring
10	99-7561	2	Bearing-Ball
11	99-7539	2	Clip
12	99-7596	12	Bolt
13	99-7563	10	Stud

Ref. No.	Part No.	Qty.	Description

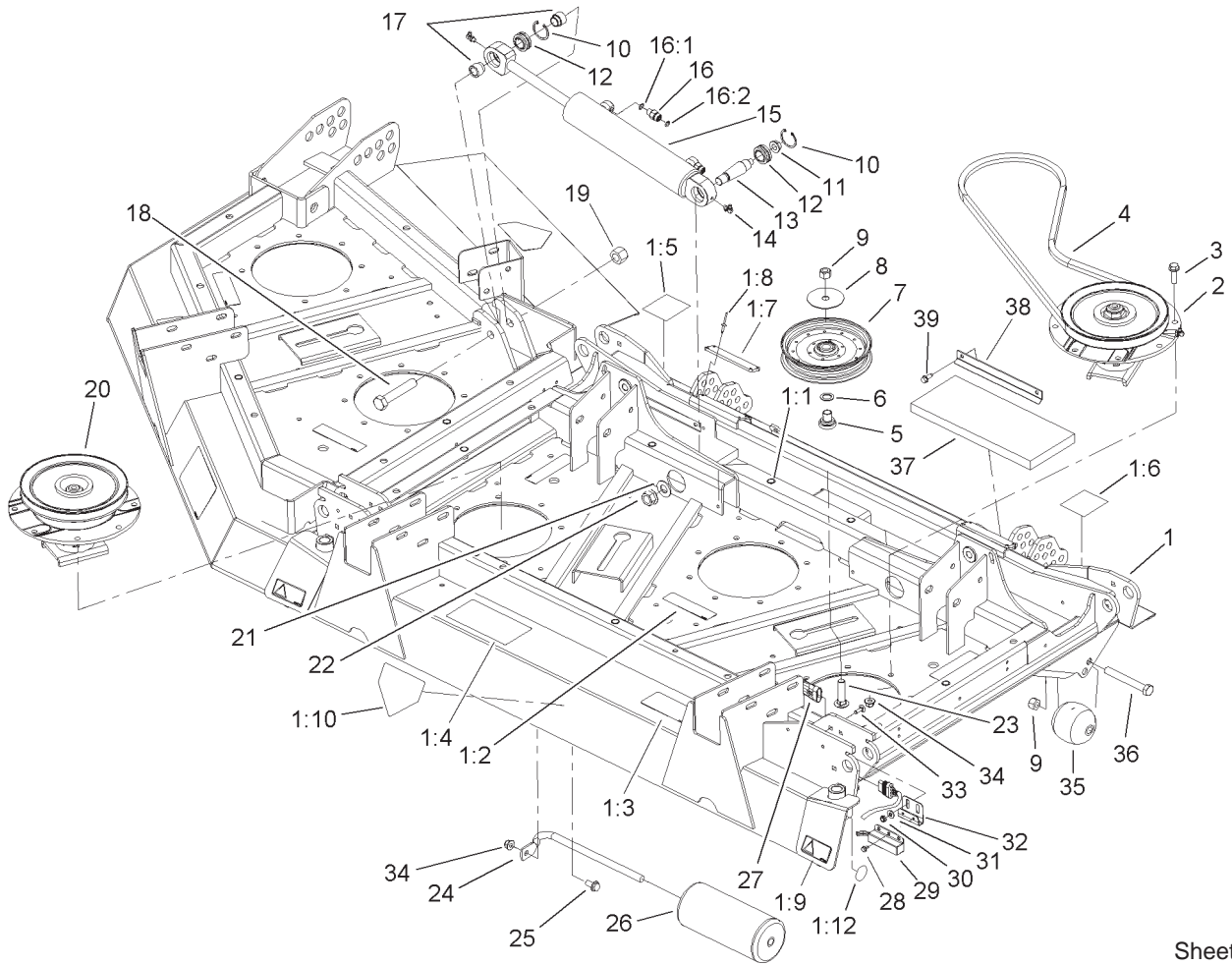


Sheet No.:2

## Center Deck Assembly

Ref. No.	Part No.	Qty.	Description
1	105-7351	1	Center Deck ASM
1:1	32148-9	9	Insert-Nut
1:2	100-6578	3	Decal-Danger
1:3	93-7818	1	Decal-Torque, Blade Bolt
1:4	100-5622	1	Decal-HOC
1:5	106-4250	1	Decal-HOC, RH
1:6	106-4251	1	Decal-HOC, LH
1:7	105-0786	2	Pad-Plastic
1:8	3269-24	8	Rivet
1:9	93-6674	2	Decal-Warning
1:10	106-6753	1	Decal-Danger
1:10	43-8480	1	Decal-Danger
1:12	58-6520	2	Decal-Grease
2	104-3532	3	Low Driven Spindle ASM
3	3234-24	44	Screw-HHF
4	105-7438	4	V-Belt
5	100-2984	4	Spacer-Idler
6	3256-69	4	Washer-Flat
7	99-5493	4	Pulley-Idler
8	100-3102	4	Washer-Flat
9	3296-25	6	Nut-Lock, NI
10	32151-34	4	Ring-Retaining
11	32128-42	2	Nut-HF
12	105-7441	4	Bearing-Spherical

Ref. No.	Part No.	Qty.	Description
13	105-7468	2	Stud-Tapered
14	302-60	4	Fitting-Grease
15	105-7342	2	Cylinder-HYD, Lift
16	340-92	4	Fitting-HYD, Straight
16:1	237-78	1	O-Ring
16:2	237-21	1	O-Ring
17	105-7443	4	Spacer-Pilot
18	327-14	2	Screw-HH
19	3296-53	2	Nut-Lock, NI
20	104-3531	1	High Driven Spindle ASM
21	3256-27	2	Washer-Flat
22	32128-54	2	Nut-Flange
23	3233-4	4	Screw-CARR
24	68-6840	1	Shaft-Roller
25	3234-1	1	Screw-HHF
26	68-6710	1	Roller
27	105-7473	1	Harness-Wire, Deck
28	104-2065	4	Screw-HWH
29	104-0758	2	Sensor-Ferrous
30	3296-56	4	Nut-Lock, NI
31	3256-22	4	Washer-Flat
32	106-4264	2	Bracket-Switch
33	3229-1	4	Screw-CARR
34	104-8301	45	Nut-Flange, NI
35	29-4820	2	Roller

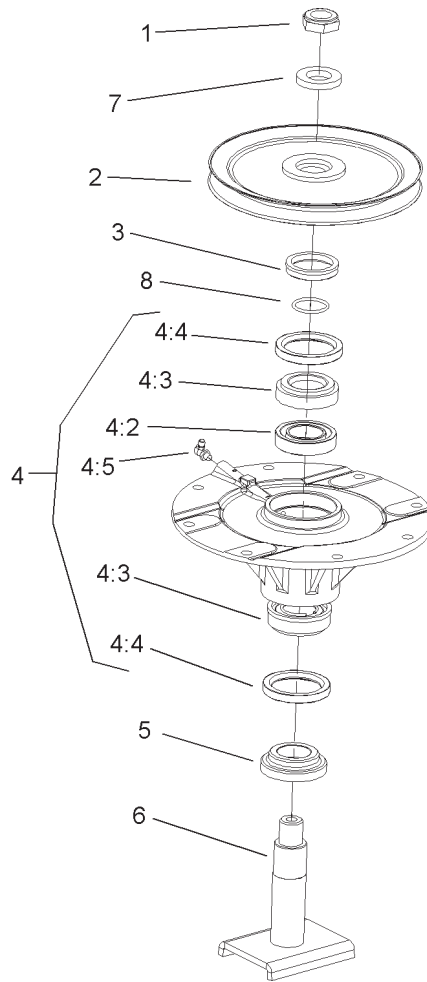


Sheet No.:2

### Center Deck Assembly (Continued)

Ref. No.	Part No.	Qty.	Description
36	325-17	2	Screw-HH
37	106-7179	2	Pad-Foam
38	106-7227	4	Support-Pad
39	32104-95	8	Screw-HWH

Ref. No.	Part No.	Qty.	Description

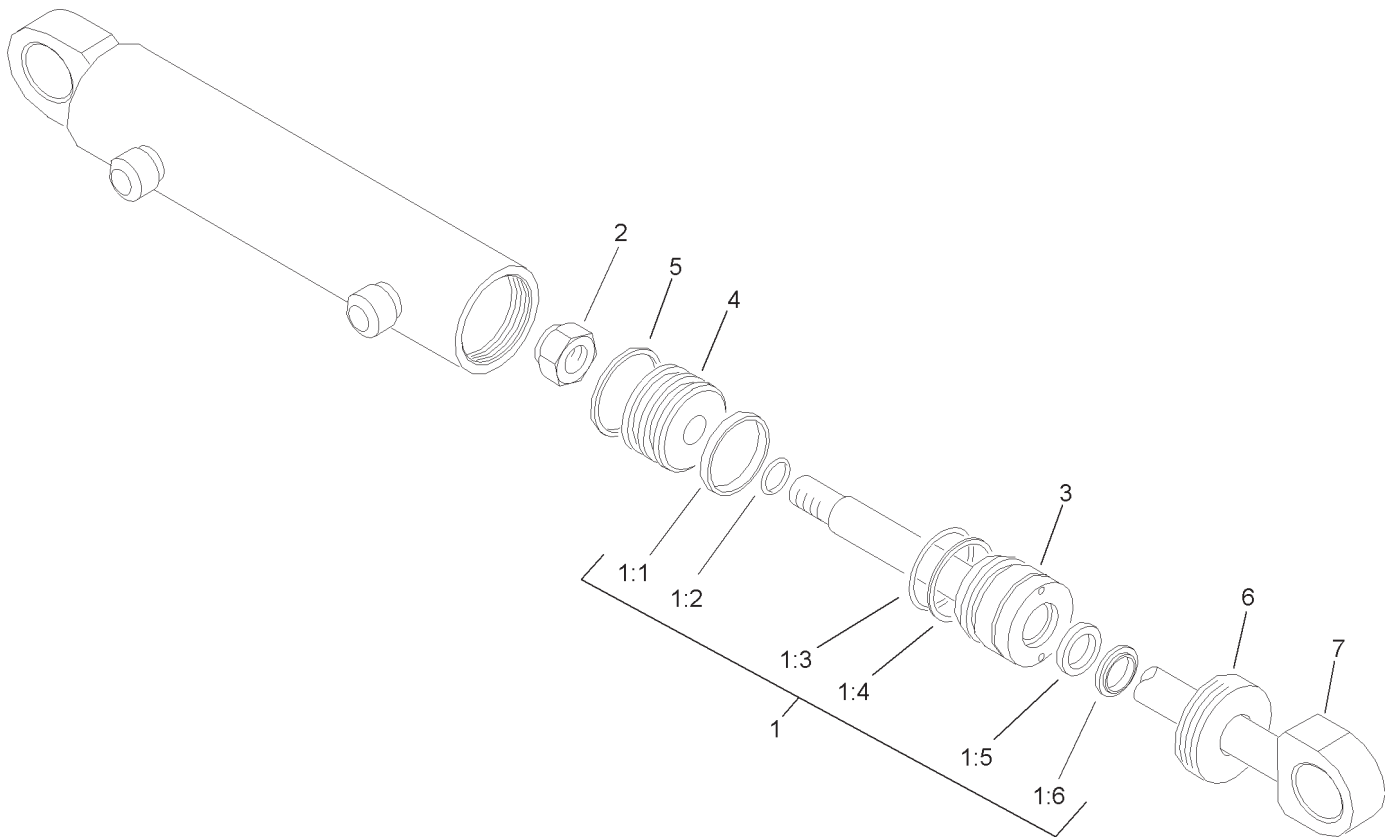


Sheet No.:A1

## Low Driven Spindle Assembly No. 104-3532

Ref. No.	Part No.	Qty.	Description
1	3296-60	1	Nut-Lock, NI
2	104-3546	1	Pulley-Driven, Low
3	104-3564	1	Seal-V Ring
4	104-3552	1	Spindle Housing ASM
4:2	104-3549	1	Spacer Set-Bearing
4:3	26-1830	1	Bearing ASM
4:4	253-154	2	Seal-Oil
4:5	302-60	1	Fitting-Grease
5	92-9800	1	Spacer-Shaft, Spindle
6	104-3554	1	Spindle Shaft ASM
7	104-8322	1	Washer-Hardened
8	106-7159	1	O-Ring

Ref. No.	Part No.	Qty.	Description



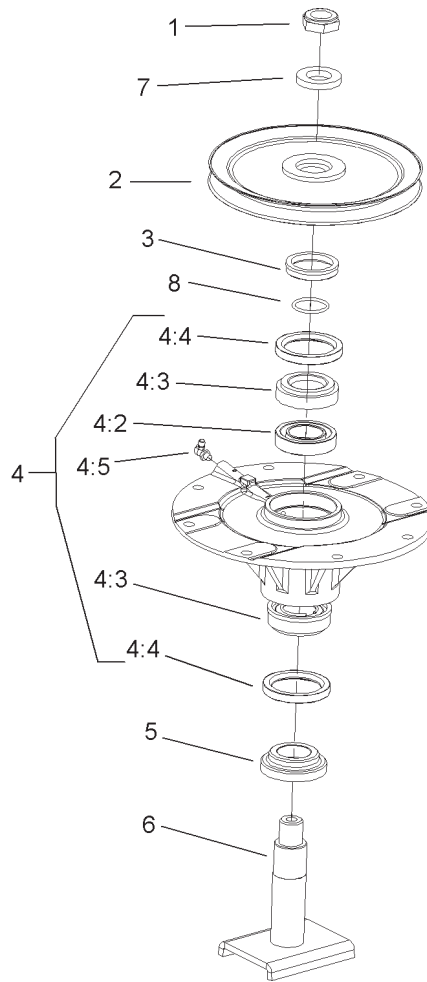
Sheet No.:A2

## Hydraulic Lift Cylinder Assembly No. 105-7342

Ref. No.	Part No.	Qty.	Description
1	106-6883	1	Seal Kit
☆1:1		1	T-Seal
☆1:2		1	O-Ring
☆1:3		1	O-Ring
☆1:4		1	Backup
☆1:5		1	Rod Seal
☆1:6		1	Dust Seal
☆2		1	Nut
☆3		1	Head
☆4		1	Piston
☆5		1	Ring-Steel
☆6		1	Collar
☆7		1	Shaft W/Clevis

Ref. No.	Part No.	Qty.	Description

☆ Not serviced separately

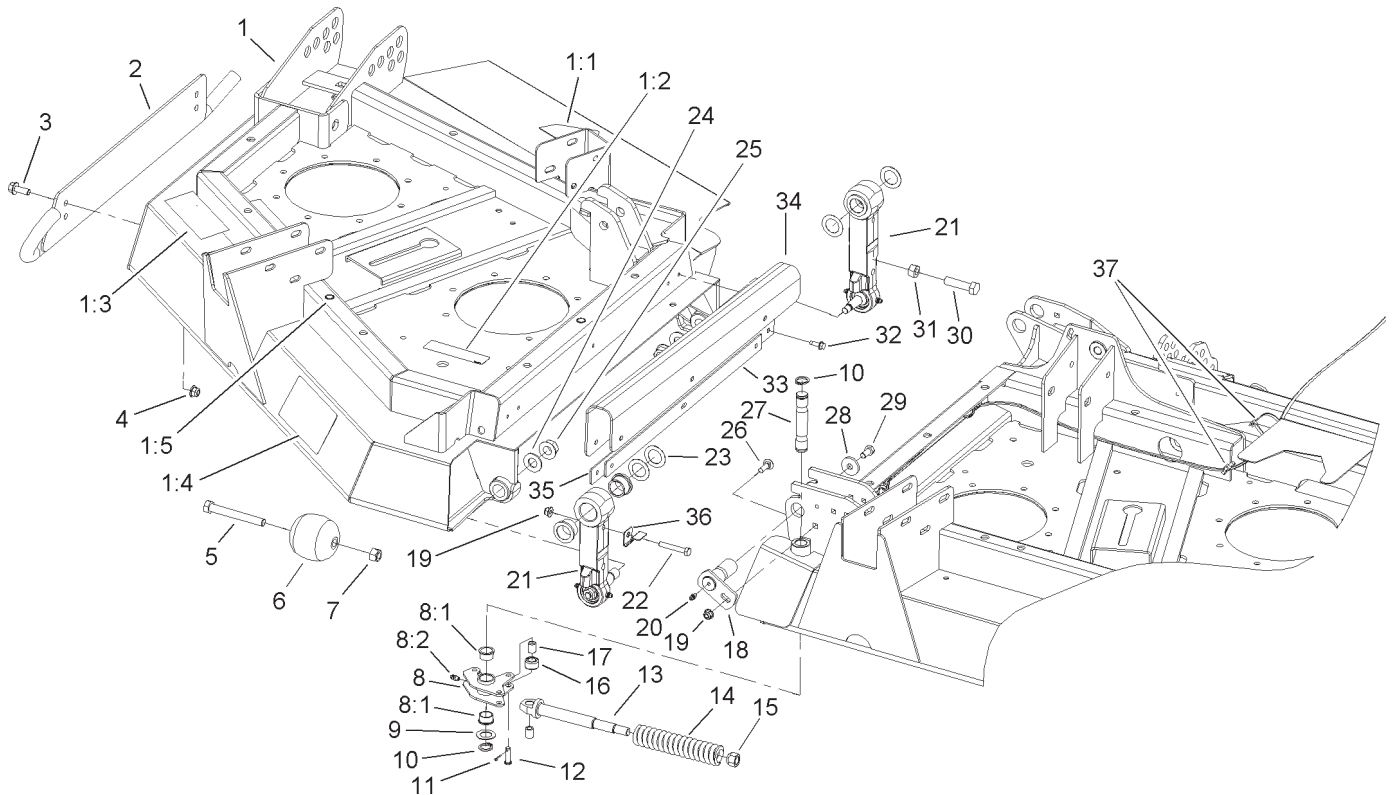


Sheet No.:A3

## High Driven Spindle Assembly No. 104-3531

Ref. No.	Part No.	Qty.	Description
1	3296-60	1	Nut-Lock, NI
2	104-3548	1	Pulley-Driven, High
3	104-3564	1	Seal-V Ring
4	104-3552	1	Spindle Housing ASM
4:2	104-3549	1	Spacer Set-Bearing
4:3	26-1830	1	Bearing ASM
4:4	253-154	2	Seal-Oil
4:5	302-60	1	Fitting-Grease
5	92-9800	1	Spacer-Shaft, Spindle
6	104-3554	1	Spindle Shaft ASM
7	104-8322	1	Washer-Hardened
8	106-7159	1	O-Ring

Ref. No.	Part No.	Qty.	Description

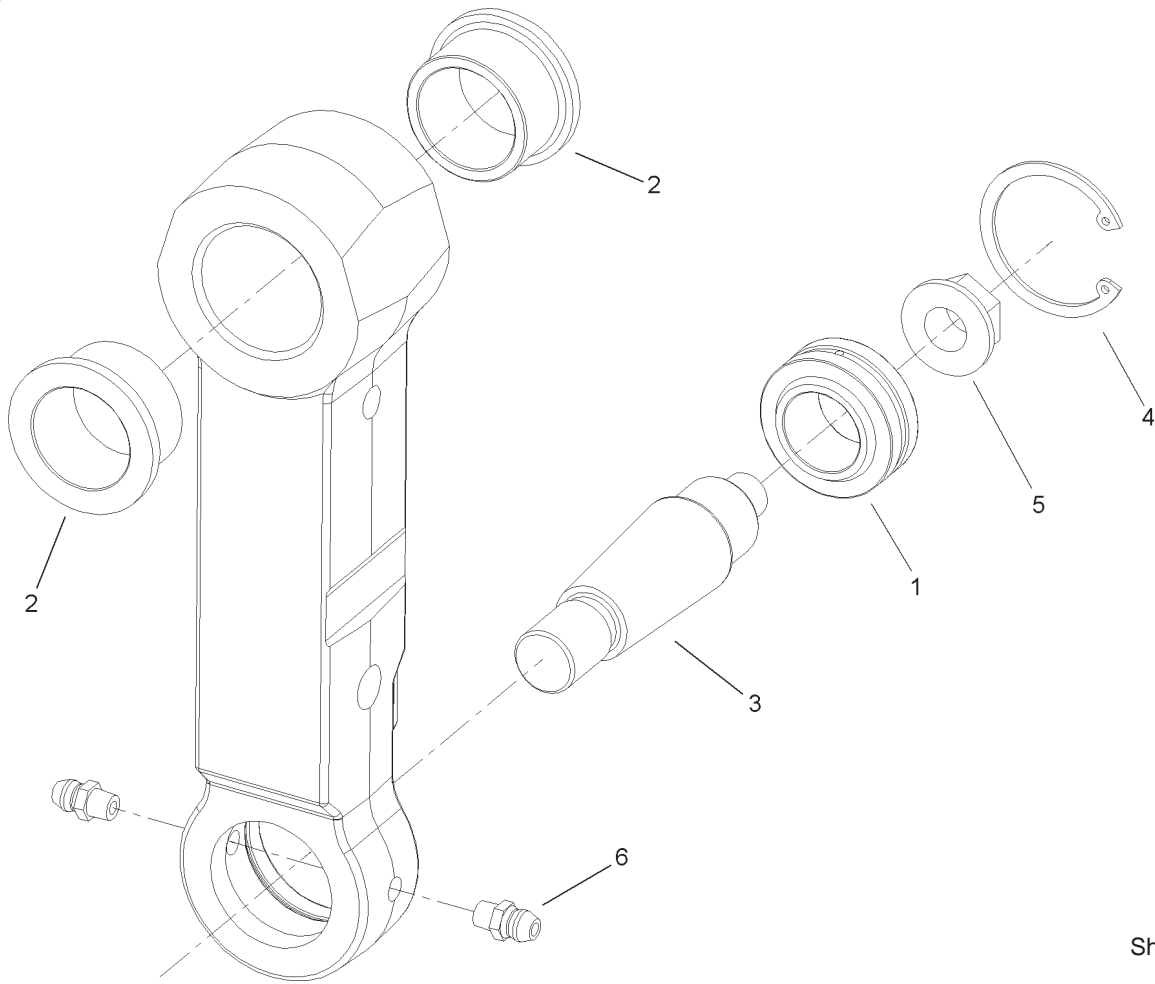


Sheet No.:3

## Break Away Link Assembly

Ref. No.	Part No.	Qty.	Description
1	105-7352	1	RH Deck ASM
1	105-7353	1	LH Deck ASM
1:1	106-6753	1	Decal-Danger
1:1	43-8480	1	Decal-Danger
1:2	100-6578	2	Decal-Danger
1:3	93-7818	1	Decal-Torque, Blade Bolt
1:4	100-5622	1	Decal-HOC
1:5	32148-9	4	Insert-Nut
2	105-7430-01	1	RH Skid ASM
2	105-7437-01	1	LH Skid ASM
3	3234-42	4	Screw-HHF
4	104-8301	4	Nut-Flange, NI
5	325-17	2	Screw-HH
6	29-4820	2	Roller
7	3296-25	2	Nut-Lock, NI
8	105-7469	2	Latch ASM
8:1	256-252	2	Bearing-Flange
8:2	302-5	1	Fitting-Grease
9	1278	2	Washer
10	32120-93	4	Ring-Retaining
11	3272-5	6	Pin-Cotter
12	283-61	6	Pin-Yoke
13	106-4317	2	Support-Spring
14	86-2560	2	Spring-Comp
15	242-50	2	Nut-Lug

Ref. No.	Part No.	Qty.	Description
16	86-2120	4	Roller-Lock
17	86-2090	6	Bushing-Pm
18	106-7171	4	Pin Pivot ASM
19	104-8300	6	Nut-Flange, NI
20	302-5	4	Fitting-Grease
21	105-7440	4	Link ASM
22	322-10	2	Screw-HH
23	256-260	8	Washer-Thrust
24	3256-27	4	Washer-Flat
25	32128-54	4	Nut-Flange
26	3230-2	4	Bolt-CARR
27	105-7482	2	Pin-Latch
28	53-6380	4	Washer-Flat
29	323-4	4	Screw-HH
30	325-8	2	Screw-HH
31	3217-9	2	Nut-Hex
32	32104-95	12	Screw-HWH
33	107-0170-03	2	Strap-Wing
34	106-4334	2	Shield-Flex
35	107-0171-03	2	Strap-Shield
36	107-0166	2	Tab-Switch
37	3290-379	4	Tie-Cable

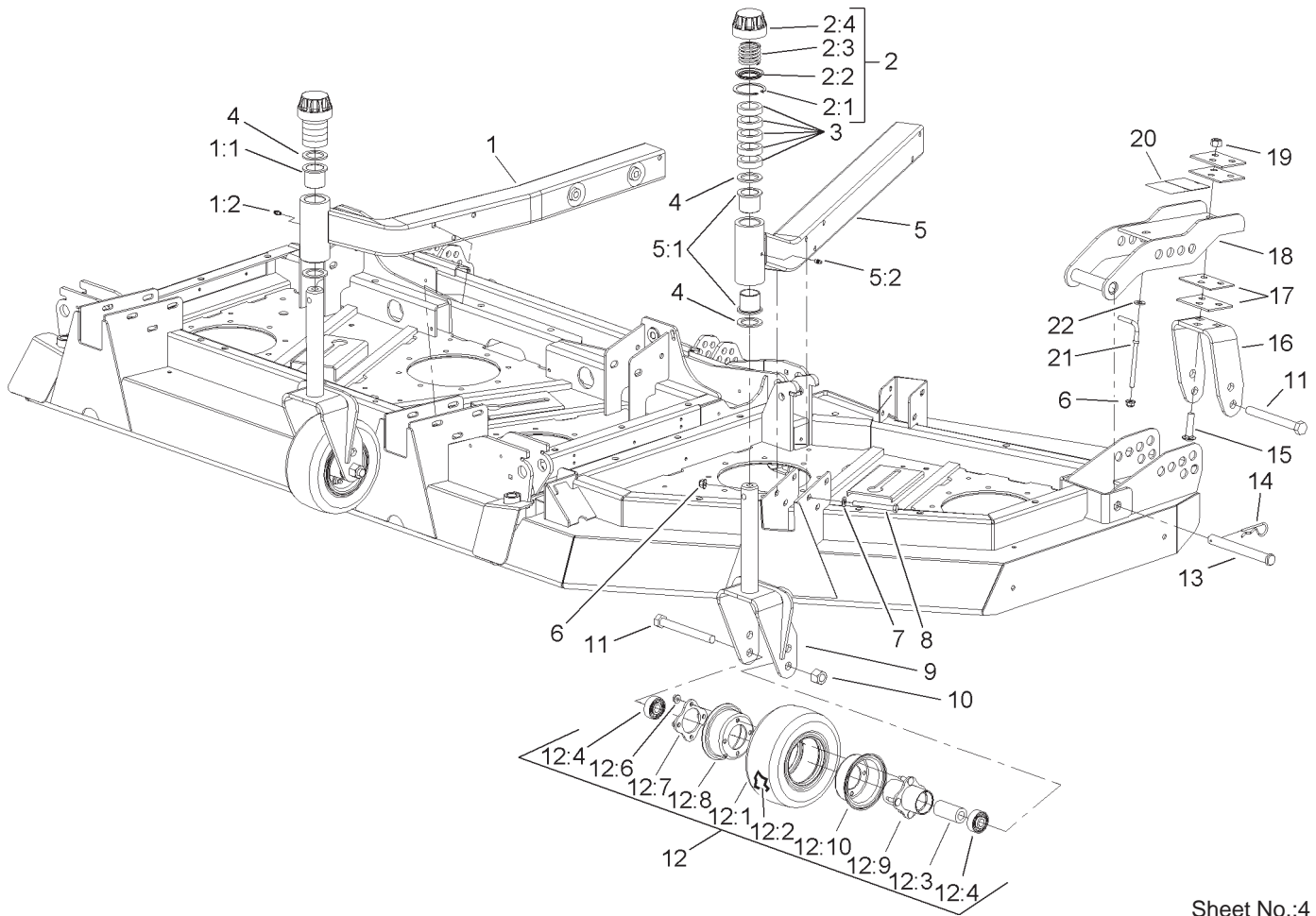


Sheet No.:A4

### Link Assembly No. 105-7440

Ref. No.	Part No.	Qty.	Description
1	105-7441	1	Bearing-Spherical
2	94-7574	2	Bushing-Flanged
3	105-7468	1	Stud-Tapered
4	32151-34	1	Ring-Retaining
5	32128-42	1	Nut-HF
6	302-5	2	Fitting-Grease

Ref. No.	Part No.	Qty.	Description

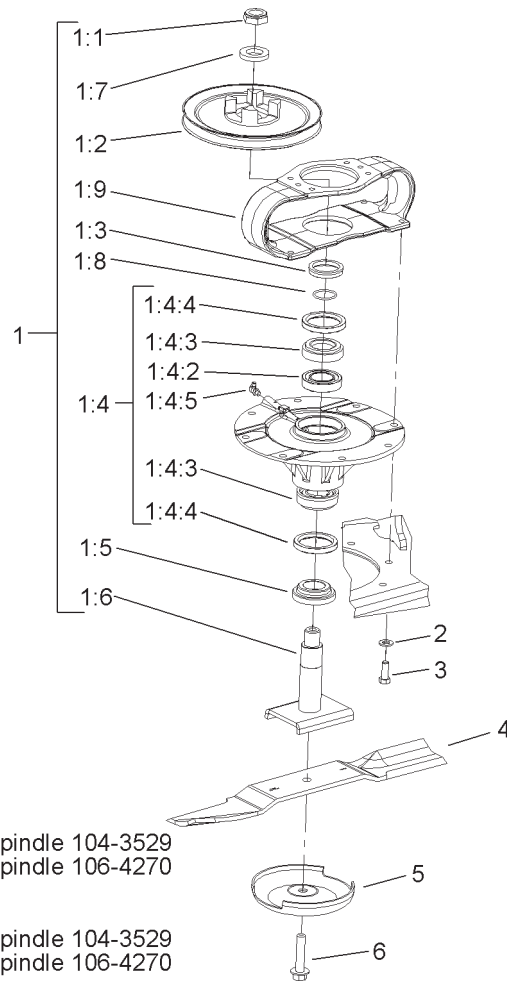


Sheet No.:4

## Castor Fork Assembly

Ref. No.	Part No.	Qty.	Description
1	105-7414	2	Center Castor Arm ASM
1:1	104-8340	2	Bushing
1:2	302-5	1	Fitting-Grease
2	92-9727	4	HOC Cap ASM
2:1	92-5581	1	Ring-Retaining
2:2	92-5583	1	Washer-Cap
2:3	92-9726	1	Spring-Compression
2:4	92-8861	1	Cap-HOC
3	69-1510	20	Spacer-Castor
4	69-6860	8	Washer-Thrust
5	105-7429	2	Side Castor Arm ASM
5:1	104-8340	2	Bushing
5:2	302-5	1	Fitting-Grease
6	104-8301	22	Nut-Flange, NI
7	3256-24	20	Washer-Flat
8	323-15	20	Screw-HH
9	92-7750-01	4	Fork-Castor
10	3296-53	6	Nut-Lock, NI
11	327-24	6	Screw-HH
12	93-9938	6	8in Wheel ASM
12:1	93-9939	1	Tire
12:2	68-8950	1	Tube-Inner (W/Valve)
12:3	93-4241	1	Spacer-Bearing, Inner
12:4	93-4237	2	Bearing
12:6	32128-16	4	Nut-HHF

Ref. No.	Part No.	Qty.	Description
12:7	93-4242	1	Plate
12:8	93-4239	1	Rim-Wheel, Half
12:9	93-5980	1	Hub
12:10	95-2741	1	Rim-Wheel, Half
13	100-5569	4	Pin-Clevis
14	3290-343	4	Pin-Hair
15	3233-4	6	Screw-CARR
16	105-7457-01	2	Fork-Rear
17	104-7524	8	Shim
18	104-7529-01	2	Castor Bracket ASM
20	100-5623	1	Nut-Lock, NI
20	104-3579	1	Decal-HOC
21	106-2047	2	Rod-Tension
22	3256-3	2	Washer-Flat



Note  
 Item 1:2:  
 104-3545 is used on Spindle 104-3529  
 106-4269 is used on Spindle 106-4270

Item 1:9  
 104-3544 is used on Spindle 104-3529  
 106-4628 is used on Spindle 106-4270

Sheet No.:5

## Spindle Assembly

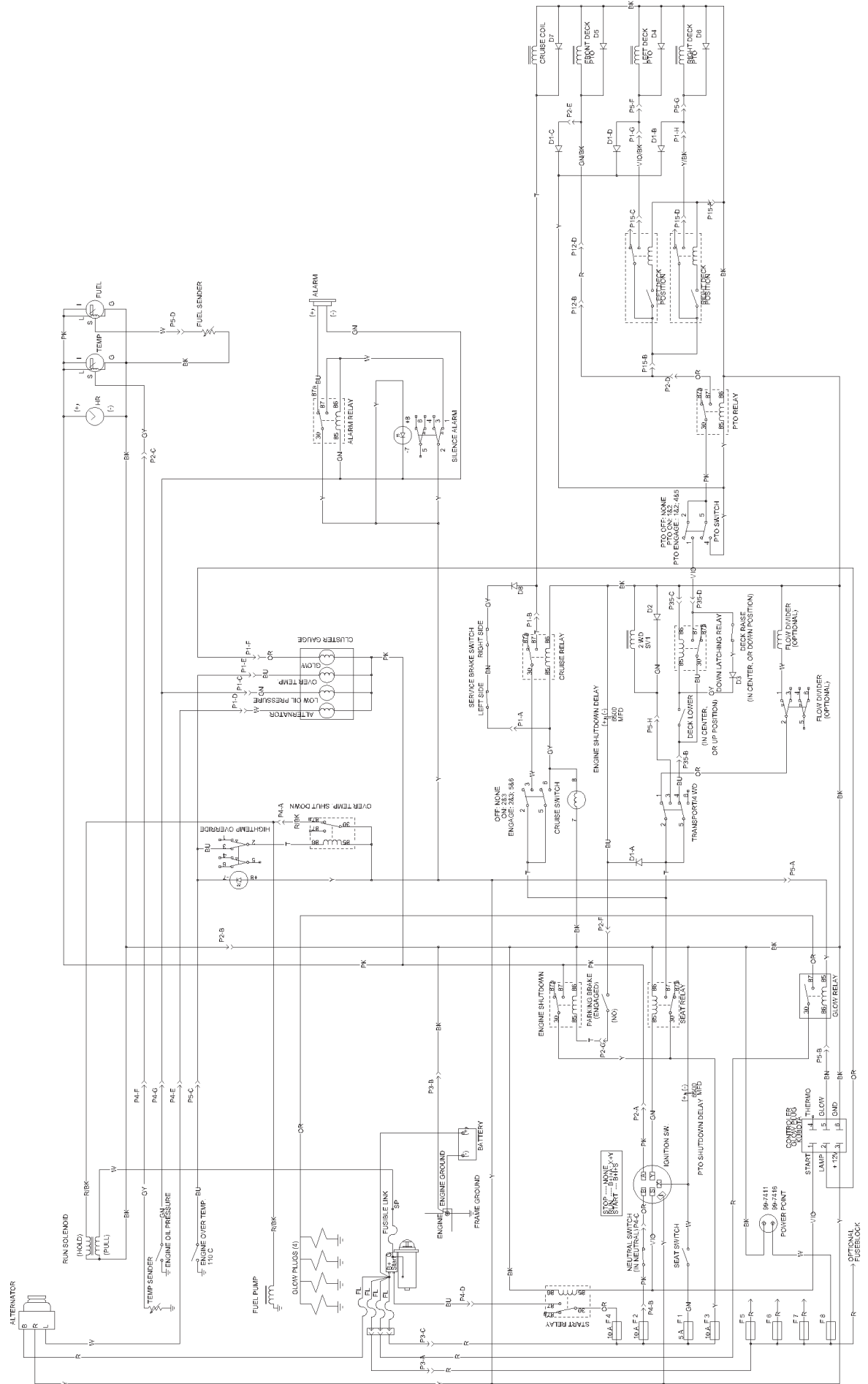
Ref. No.	Part No.	Qty.	Description
1	106-4270	1	Double Drive Spindle ASM
1	104-3529	2	Driving Spindle ASM
1:1	3296-60	1	Nut-Lock, NI
1:2	104-3545	1	Pulley-Driving
1:2	106-4269	1	Pulley-Drive, Double
1:3	104-3564	1	Seal-V Ring
1:4	104-3552	1	Spindle Housing ASM
1:4:2	104-3549	1	Spacer Set-Bearing
1:4:3	26-1830	1	Bearing ASM
1:4:4	253-154	2	Seal-Oil
1:4:5	302-60	1	Fitting-Grease
1:5	92-9800	1	Spacer-Shaft, Spindle
1:6	104-3554	1	Spindle Shaft ASM
1:7	104-8322	1	Washer-Hardened
1:8	106-7159	1	O-Ring
1:9	104-3544	1	Mount-Motor, Drive
1:9	106-4268	1	Mount-Motor, Drive
2	3256-24	12	Washer-Flat
3	323-6	12	Screw-HH
4	106-7166-03	7	Blade-Combination
5	72-9361	7	Cup-Scalp, Anti
6	92-5816	7	Bolt-Blade

Ref. No.	Part No.	Qty.	Description

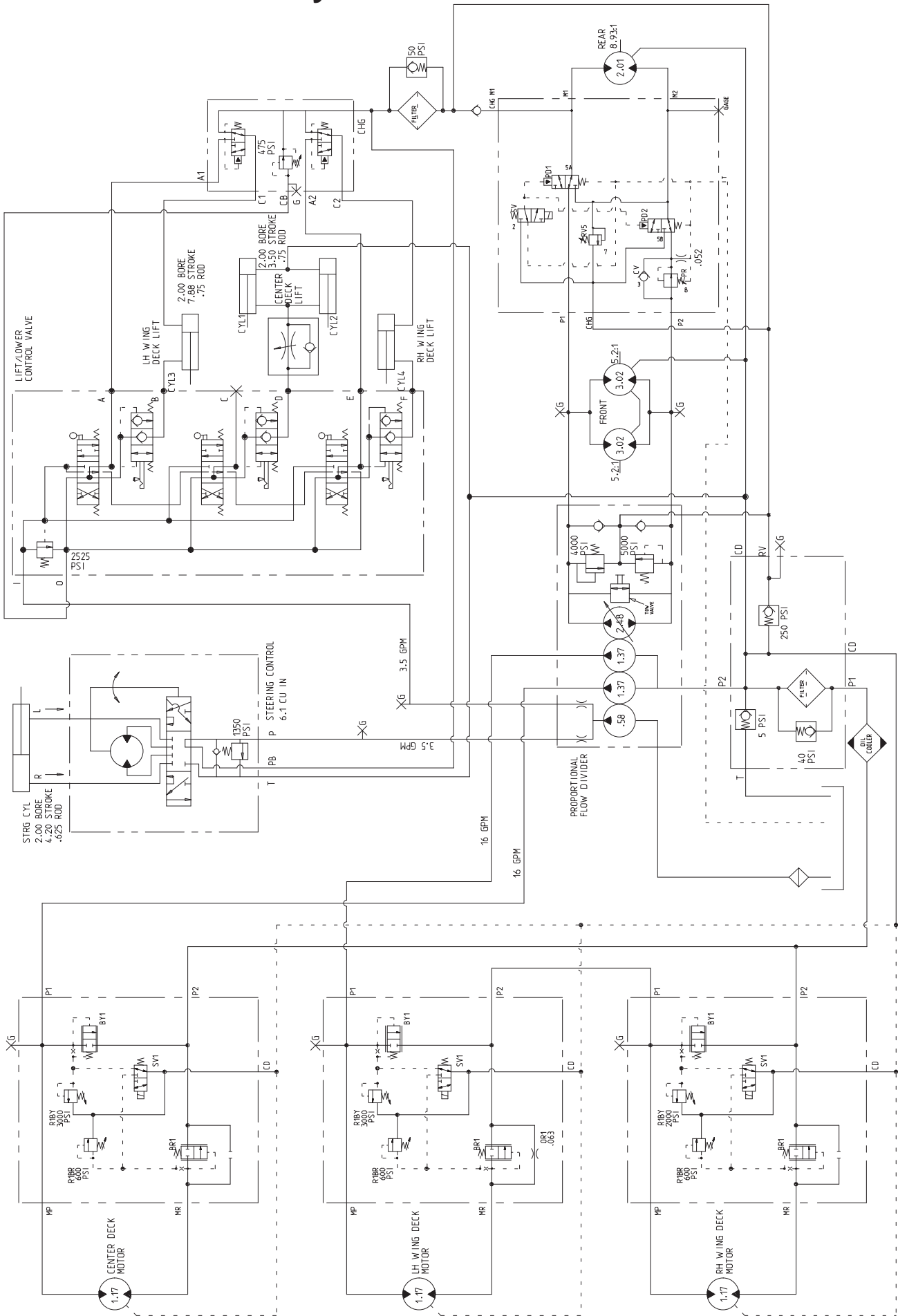


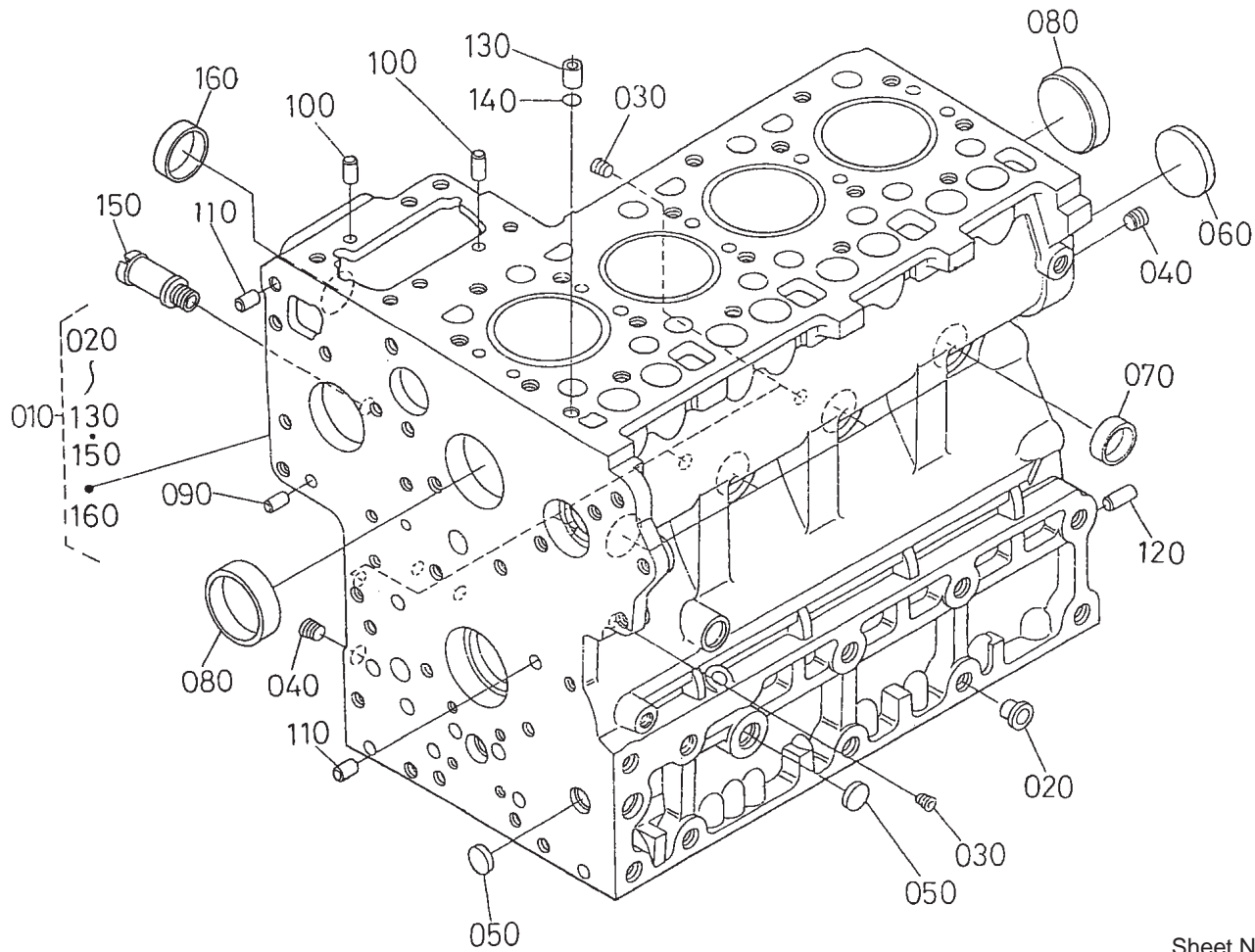


# Electrical Schematic



# Hydraulic Schematic





Sheet No.:40

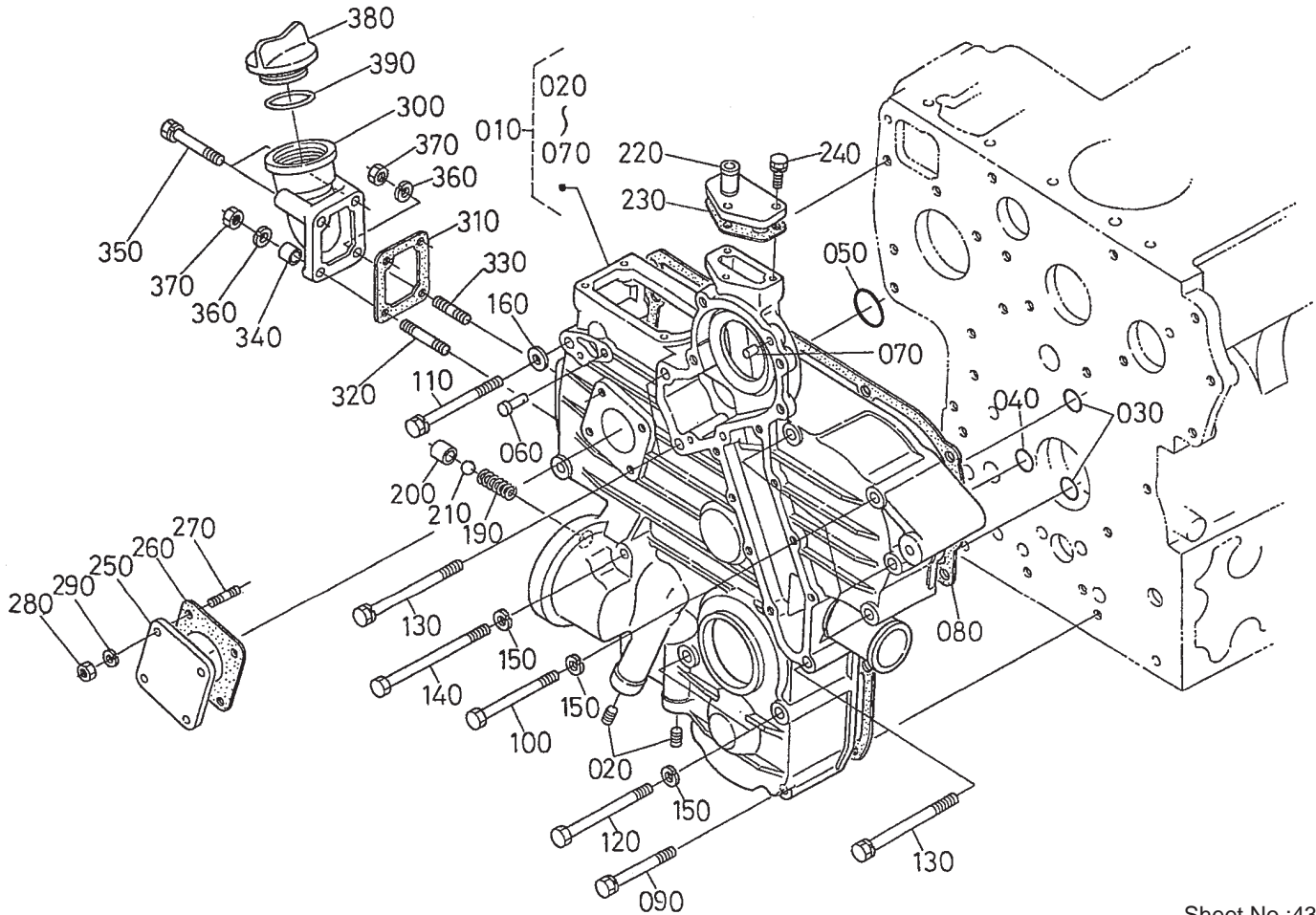
### Crankcase Assembly

Ref. No.	Part No.	Qty.	Description
10	100-9150	1	Crankcase
20	98-7486	2	Plug
30	98-7487	6	Plug
40	107-0107	2	Plug
50	98-7489	3	Plug
60	98-7490	1	Plug
70	98-7500	6	Cap-Sealing
80	98-7501	2	Cap-Sealing
90	98-7502	2	Pin-Straight
100	98-7503	2	Pin-Straight
110	98-7504	2	Pin-Straight
120	98-7505	1	Pin-Straight
130	98-7506	1	Pin-Pipe
140	98-7509	1	O-Ring
150	100-9153	1	Pipe-Return, Water
160	105-2883	1	Cap-Sealing

Ref. No.	Part No.	Qty.	Description





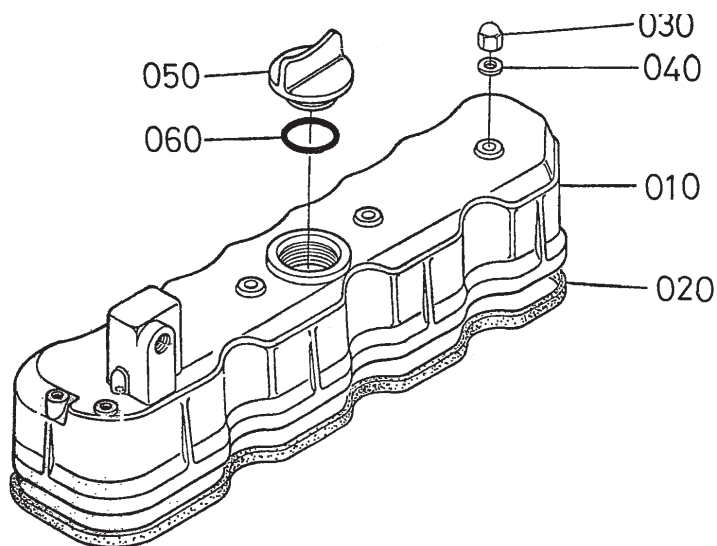


Sheet No.:43

## Gear Case Assembly

Ref. No.	Part No.	Qty.	Description
10	100-9161	1	Gearcase ASM
20	107-0108	2	Plug
30	107-0104	2	O-Ring
40	107-0105	1	O-Ring
50	107-0106	1	O-Ring
60	98-7550	1	Pin-Spring, Start
70	98-7504	2	Pin-Straight
80	98-7552	1	Packing-Case, Gear
90	98-7553	2	Bolt
100	99-8336	5	Bolt
110	98-7555	1	Bolt
120	98-7556	2	Bolt
130	98-7557	3	Bolt
140	98-7558	2	Bolt
150	105-2893	9	Washer-Spring
160	98-7536	1	Washer-Plain
190	98-7563	1	Spring
200	98-7564	1	Seat-V alve
210	98-7565	1	Ball
220	98-7566	1	Flange-Return, Water
230	98-7567	1	Gasket
240	98-7568	3	Bolt
250	98-7569	1	Cover
260	98-7570	1	Gasket-Unit, H/Meter
270	98-7571	4	Stud
280	98-7572	4	Nut

Ref. No.	Part No.	Qty.	Description
290	98-7699	4	Washer-Spring
300	100-9162	1	Flange-Filter , Oil
310	100-9163	1	Gasket
320	98-7571	1	Stud
330	100-9164	1	Stud
340	100-9165	1	Collar
350	98-7496	2	Bolt
360	98-7699	2	Washer-Spring
370	98-7572	2	Nut
380	98-7429	1	Plug-Filter , Oil
390	107-0102	1	O-Ring

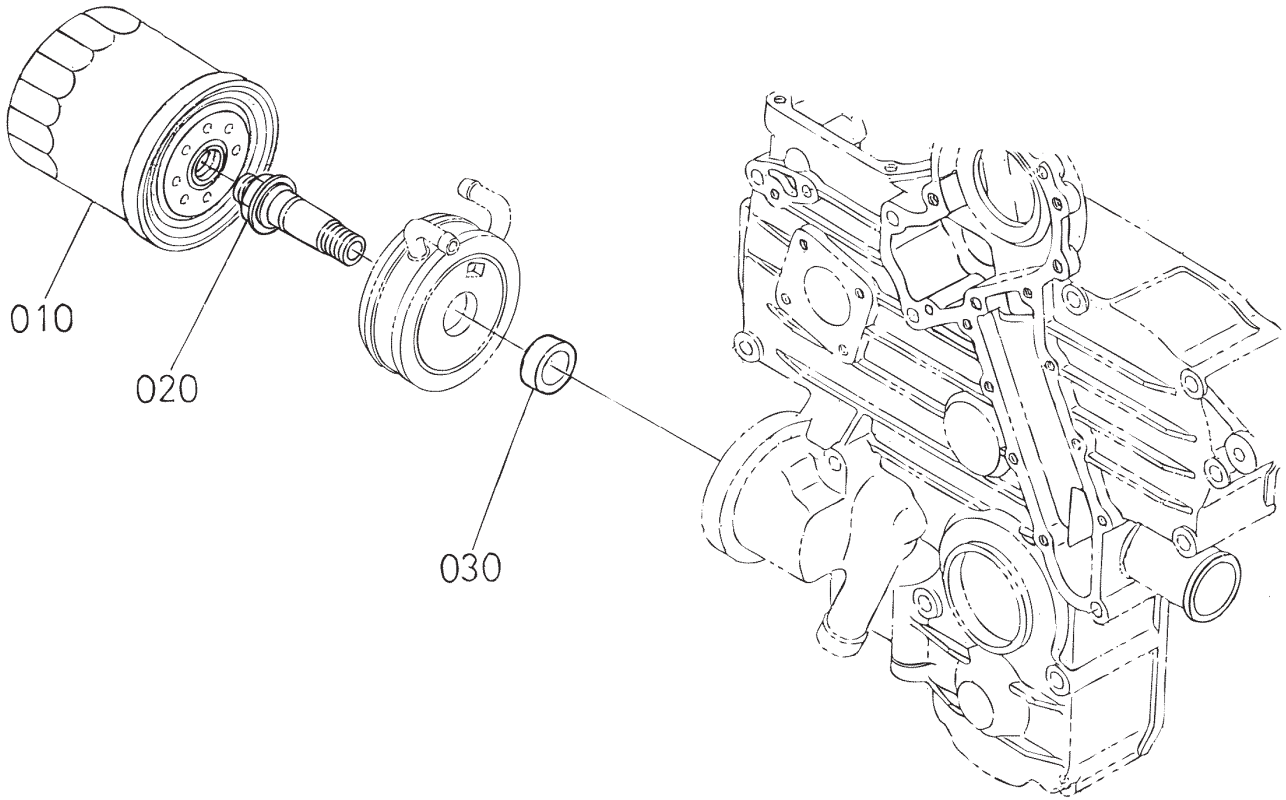


Sheet No.:44

### Head Cover Assembly

Ref. No.	Part No.	Qty.	Description
10	98-7425	1	Cover-Head, Cylinder
20	98-7426	1	Gasket-Cover , Head
30	98-7427	4	Nut-Cap
40	98-7428	4	Gasket
50	98-7429	1	Plug-Filter , Oil
60	107-0102	1	O-Ring

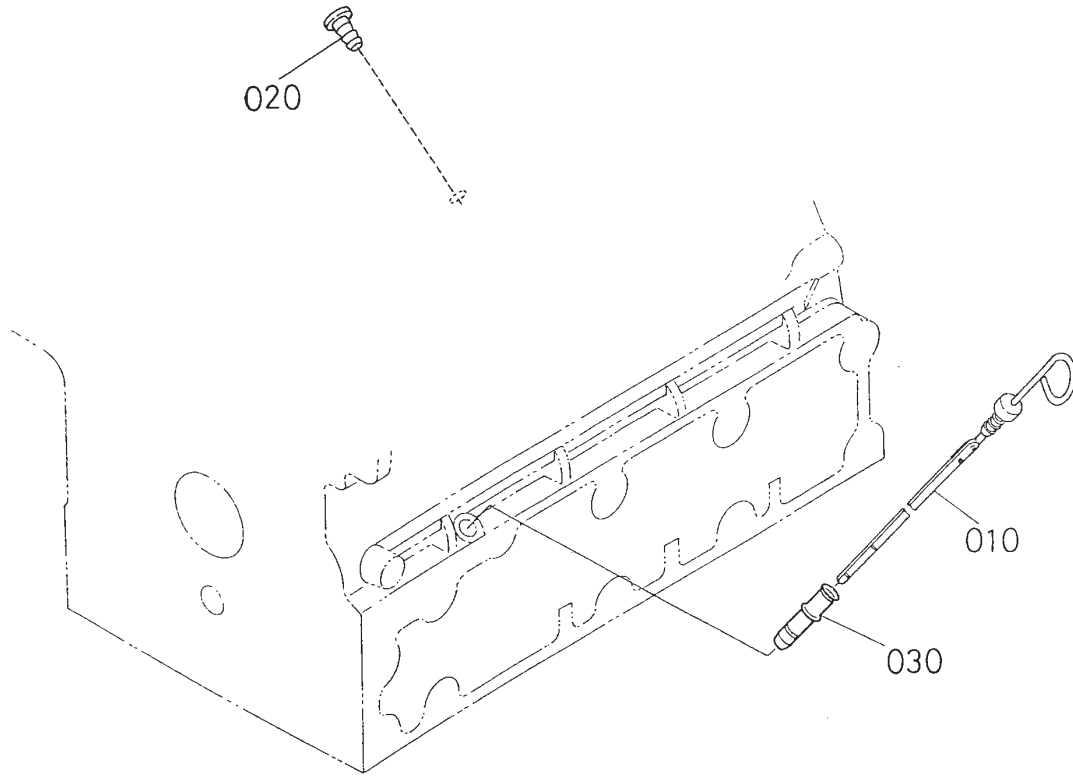
Ref. No.	Part No.	Qty.	Description



### Oil Filter Assembly

Ref. No.	Part No.	Qty.	Description
10	98-7431	1	Cartridge-Filter , Oil
20	100-9166	1	Connector
30	100-9167	1	Collar

Ref. No.	Part No.	Qty.	Description
----------	----------	------	-------------

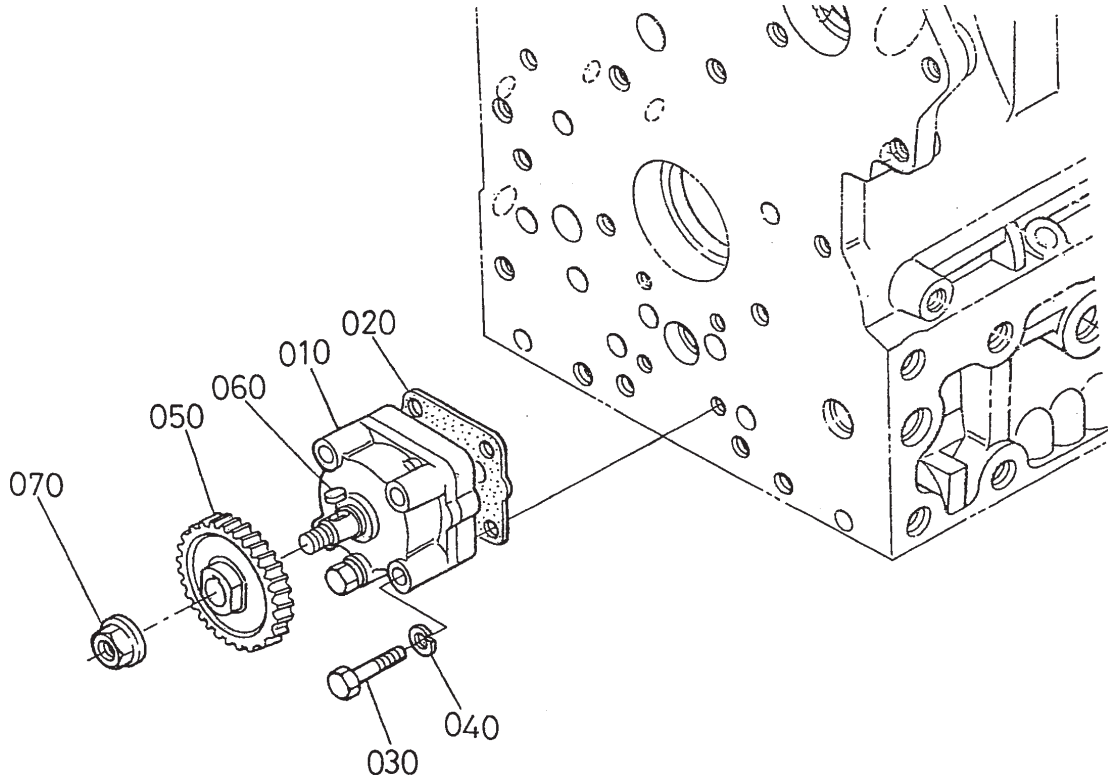


Sheet No.:46

### Dipstick and Guide Assembly

Ref. No.	Part No.	Qty.	Description
10	105-4579	1	Gauge-Oil
20	100-9169	1	Plug-Gauge, Oil
30	105-4580	1	Guide

Ref. No.	Part No.	Qty.	Description



Sheet No.:47

## Oil Pump Assembly

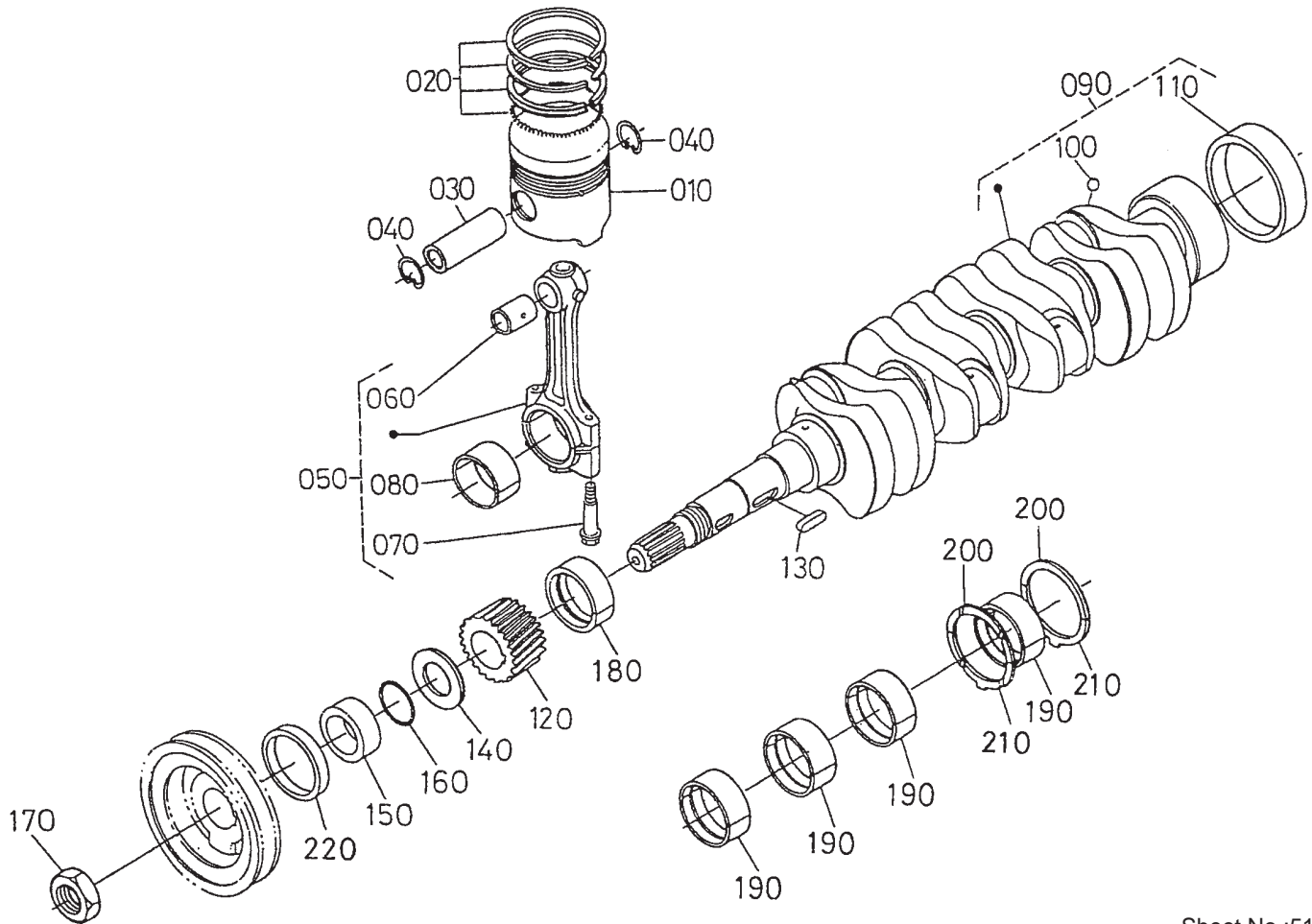
Ref. No.	Part No.	Qty.	Description
10	100-9170	1	Oil Pump ASM
20	98-7513	1	Gasket-Pump, Oil
30	98-7514	4	Bolt
40	98-7699	4	Washer-Spring
50	98-7516	1	Gear-Drive, Oil Pump
60	98-7517	1	Key-Feather
70	98-7518	1	Nut-Flange

Ref. No.	Part No.	Qty.	Description









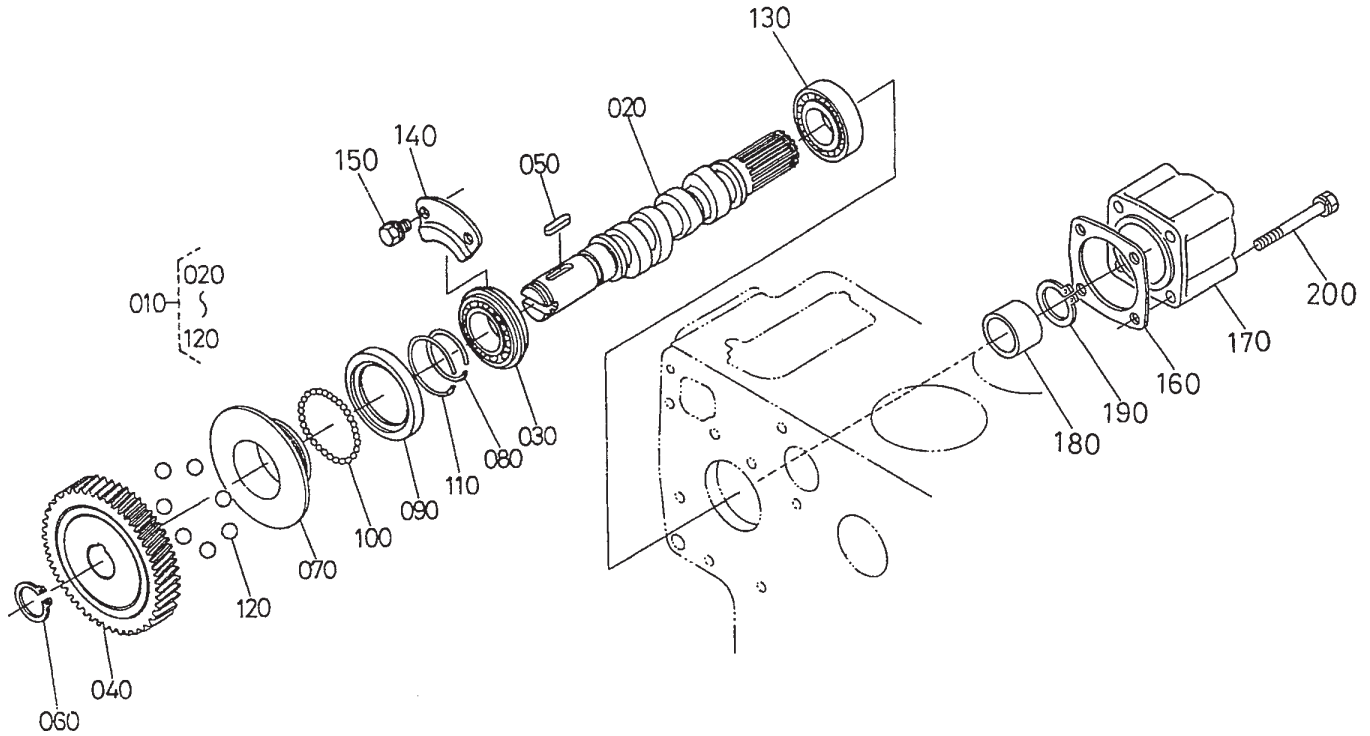
Sheet No.:51

## Piston and Crankshaft Assembly

Ref. No.	Part No.	Qty.	Description
10	99-5435	1	Piston (.50mm)
10	100-9181	4	Piston-STD
20	100-9182	4	Piston Ring ASM (STD)
20	99-5436	1	Piston Ring ASM (0.50mm)
30	98-7464	4	Pin-Piston
40	98-7465	8	Clip-Pin, Piston
50	98-7466	4	Connecting Rod ASM
60	98-7467	4	Bushing-Pin, Piston
70	98-7468	8	Bolt-Rod, Connecting
80	98-7470	4	Metal-Crankpin (-0.20mm)
80	98-7471	4	Metal-Crankpin (-0.40mm)
80	98-7469	4	Metal-Crankpin (STD)
90	98-7472	1	Crankshaft-Complete
100	98-7473	4	Ball
110	98-7474	1	Sleeve-Crankshaft
120	98-7475	1	Gear-Crankshaft
130	98-7451	1	Key-Feather
140	98-7476	1	Slinger-Oil
150	98-7477	1	Collar-Crankshaft
160	98-7478	1	O-Ring
170	98-7479	1	Nut-Crankshaft

Ref. No.	Part No.	Qty.	Description
180	98-7481	1	Metal-Crankshaft (STD)
180	98-7482	1	Metal-Crankshaft (-0.20mm)
180	98-7483	1	Metal-Crankshaft (-0.40mm)
190	98-7484	4	Metal-Crankshaft (STD)
190	99-6862	4	Metal-Crankshaft (-0.20mm)
190	99-6863	4	Metal-Crankshaft (-0.40mm)
200	99-6864	2	Metal-Side (STD)
200	98-9414	2	Bearing-Thrust (0.2mm)
200	98-9415	2	Bearing-Thrust (0.4mm)
210	99-6867	2	Metal-Side (STD)
210	98-9689	2	Bearing-Thrust (0.2mm)
210	99-6869	2	Metal-Side, O/S (0.4mm)
220	98-7480	1	Seal-Oil





Sheet No.:53

## Fuel Camshaft and Governor Shaft Assembly

Ref. No.	Part No.	Qty.	Description
10	98-7551	1	Fuel Camshaft ASM
20	98-7508	1	Camshaft-Fuel
30	98-7595	1	Bearing-Ball
40	98-7574	1	Gear-Pump, Injection
50	98-7575	1	Key-Feather
60	98-7576	1	Clip-Cir., External
70	98-7577	1	Sleeve-Governor
80	98-7578	1	Clip-Cir., Governor Sleeve
90	98-7579	1	Case-Ball, Governor
100	98-7580	39	Ball
110	98-7581	1	Clip-Cir.
120	98-7582	7	Ball
130	98-7583	1	Bearing-Ball
140	98-7584	1	Stopper
150	100-9195	2	Bolt
160	98-7588	1	Gasket
170	98-7586	1	Cover-Fuel, Camshaft
180	98-7587	1	Collar
190	98-7589	1	Clip-Cir., External
200	98-7590	4	Bolt

Ref. No.	Part No.	Qty.	Description



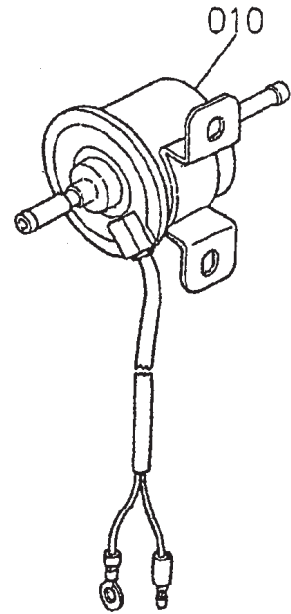
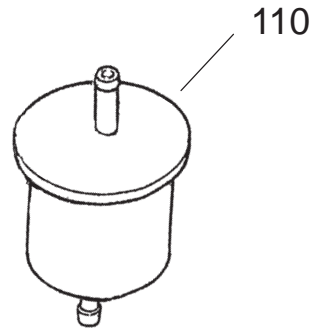
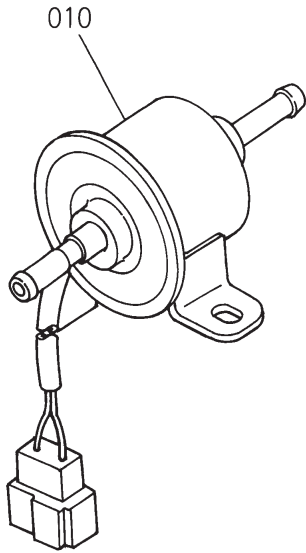












Ref. No.    Part No.    Engine Serial #  
 010        107-0122    (2S0001 or newer)

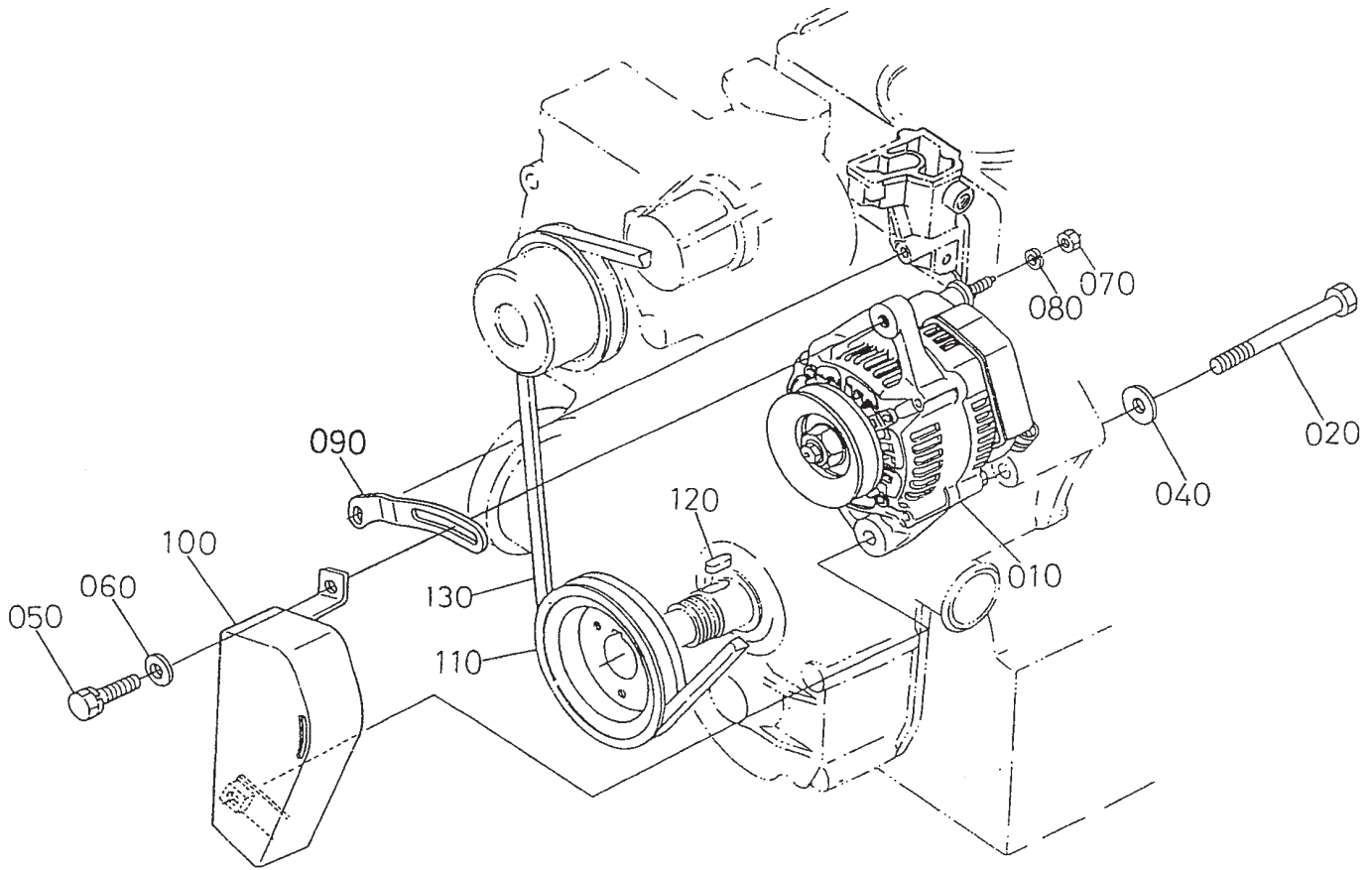
Ref. No.    Part No.    Engine Serial #  
 010        99-3464     (1U1056 or earlier)

Sheet No.:60

## Fuel Filter and Fuel Pump

Ref. No.	Part No.	Qty.	Description
10	99-3464	1	Pump-Fuel
10	107-0122	1	Pump-Fuel
110	98-7612	1	Filter-Fuel

Ref. No.	Part No.	Qty.	Description

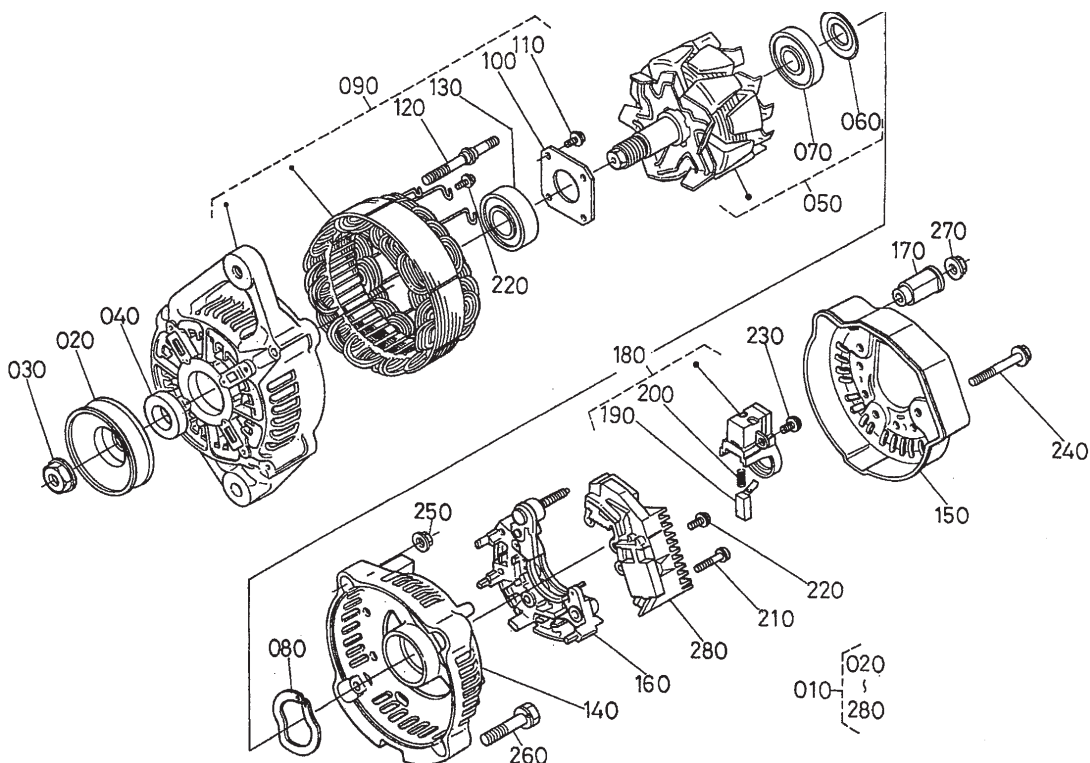


Sheet No.:61

### Alternator and Pulley Assembly

Ref. No.	Part No.	Qty.	Description
10	107-0145	1	Alternator ASM
20	98-7695	1	Bolt
40	98-9366	1	Washer-Plain
50	98-7697	1	Bolt
60	100-9233	1	Washer-Plain
70	98-7572	1	Nut
80	98-7699	1	Washer-Spring
90	105-2872	1	Bracket-Alternator
100	98-7701	1	Cover-Belt
110	106-2044	1	Pulley-Drive, Fan
120	98-7451	1	Key-Feather
130	98-7705	1	V-Belt

Ref. No.	Part No.	Qty.	Description



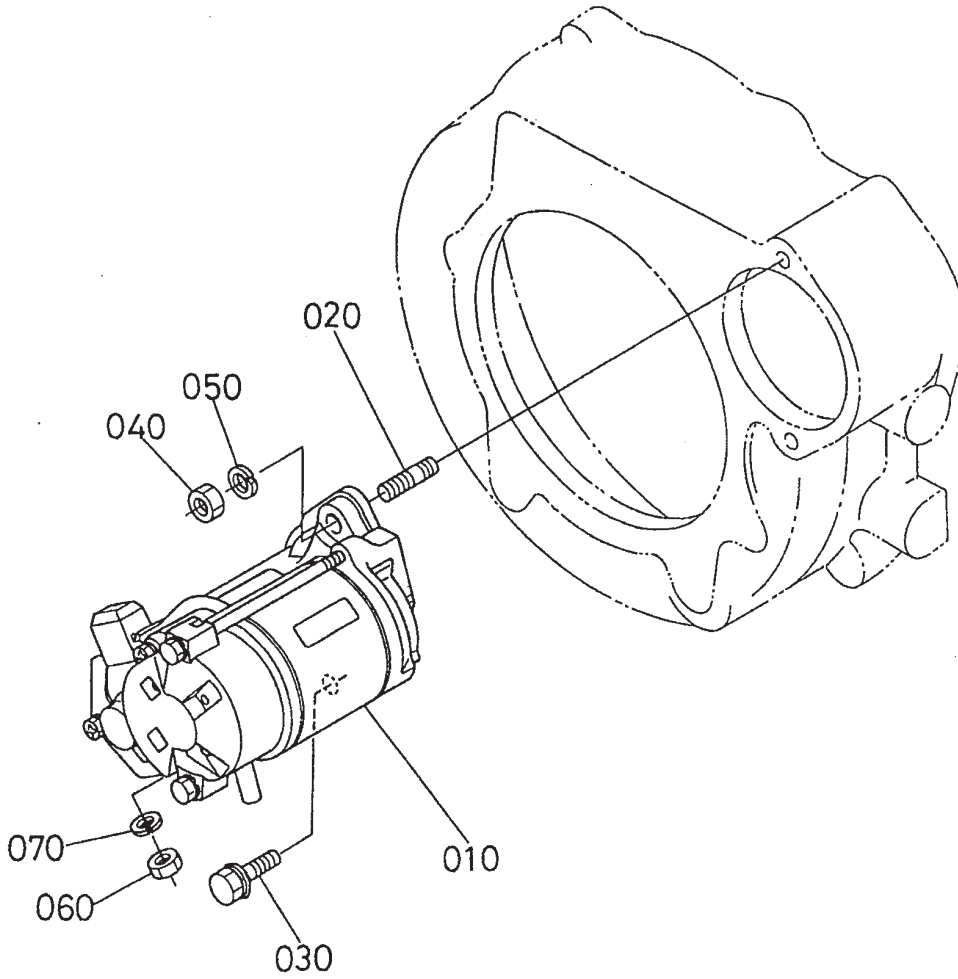
<u>Ref. No.</u>	<u>Part No.</u>	<u>Engine Serial #</u>	<u>Ref. No.</u>	<u>Part No.</u>	<u>Engine Serial #</u>
090	98-7714	(1Q1216 or earlier)	090	107-0139	(1S0001 or newer)
150	98-7720	(1Q1216 or earlier)	150	107-0140	(1S0001 or newer)
180	98-7723	(1Q1216 or earlier)	180	107-0141	(1S0001 or newer)

Sheet No.:62

## Alternator Component Parts Assembly

Ref. No.	Part No.	Qty.	Description
10	107-0145	1	Alternator ASM
20	98-7707	1	Pulley-Alternator
30	98-7708	1	Nut
40	98-7709	1	Collar
50	107-0136	1	Rotor
60	98-7711	1	Cover-Bearing
70	107-0138	1	Bearing-Ball
80	98-7713	1	Washer-Thrust
90	107-0139	1	Drive End Frame ASM
90	98-7714	1	Frame-End, Drive
100	98-7715	1	Plate-Retainer
110	98-7716	4	Screw-Head, Round
120	98-7717	2	Bolt-Through
130	107-0137	1	Bearing-Ball
140	98-7719	1	Frame-End
150	98-7720	1	Cover-End
150	107-0140	1	Cover-End
160	98-7721	1	Rectifier ASM
170	98-7722	1	Bushing-Insulation
180	98-7723	1	Holder-Brush
180	107-0141	1	Holder-Brush
190	98-7724	2	Brush
200	98-7725	2	Spring-Brush
210	98-7726	2	Screw-Head, Round
220	98-7727	6	Screw-Head, Round
230	98-7728	1	Screw-Head, Round

Ref. No.	Part No.	Qty.	Description
240	98-7729	3	Bolt
250	98-7730	2	Nut
260	98-7731	2	Bolt
270	98-7732	1	Nut
280	98-7733	1	Regulator ASM

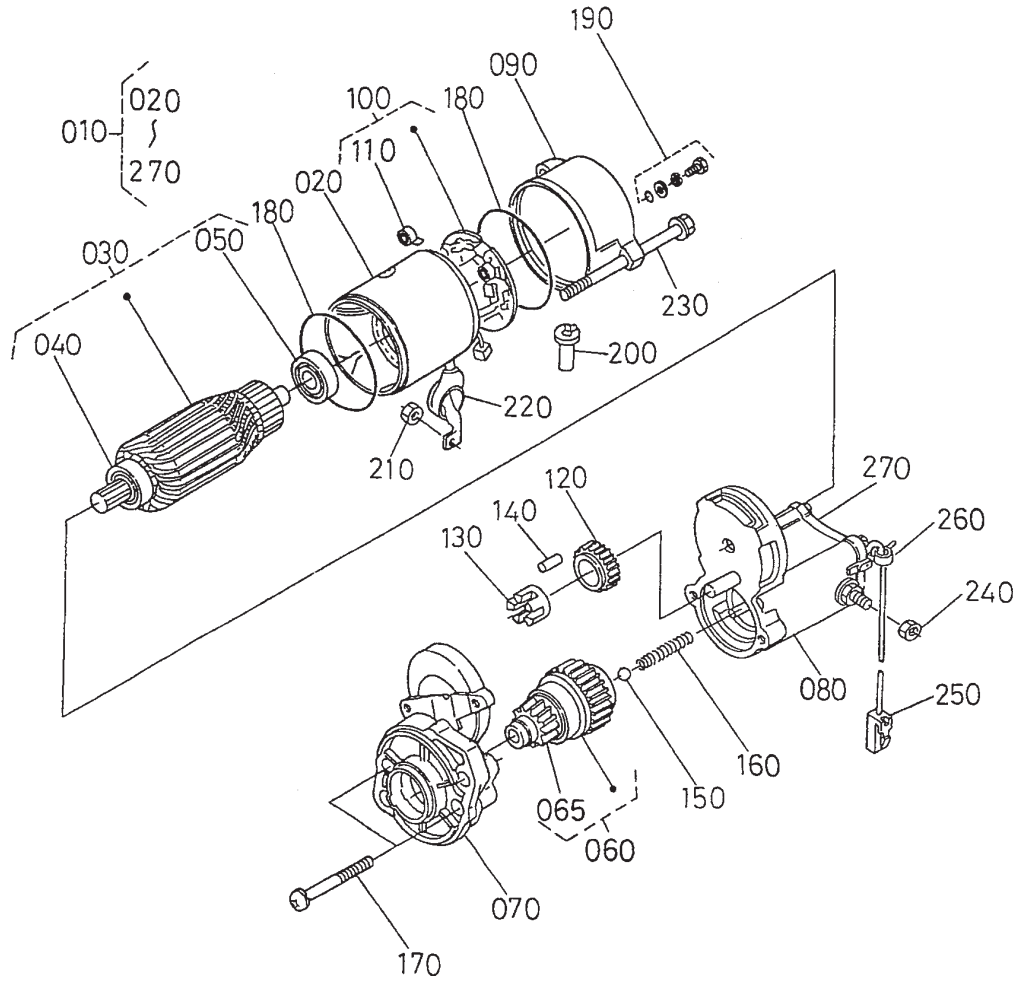


Sheet No.:63

### Starter Assembly

Ref. No.	Part No.	Qty.	Description
10	100-9237	1	Starter ASM
20	98-7735	1	Stud
30	98-7736	1	Bolt
40	98-7737	1	Nut
50	98-7738	1	Washer-Spring
60	98-7739	1	Nut
70	105-2893	1	Washer-Spring

Ref. No.	Part No.	Qty.	Description
----------	----------	------	-------------

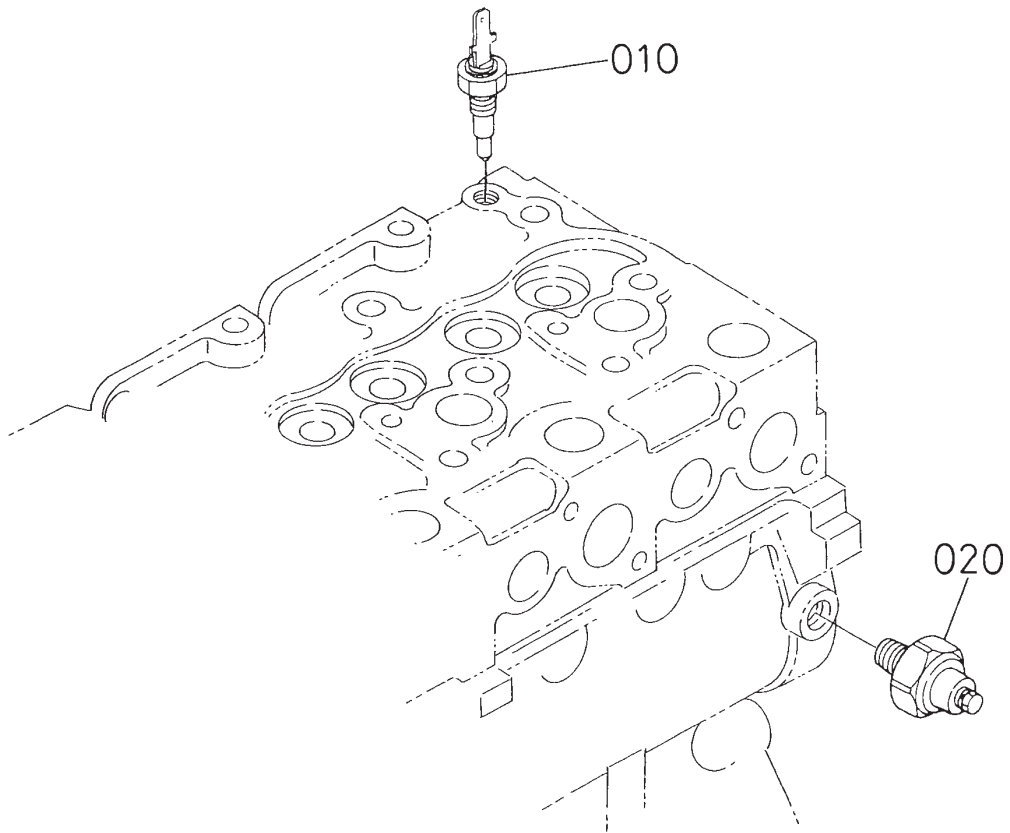


Sheet No.:64

## Starter Component Parts Assembly

Ref. No.	Part No.	Qty.	Description
10	100-9237	1	Starter ASM
20	104-8608	1	Yoke ASM
30	98-7742	1	Armature ASM
40	98-7744	1	Bearing
50	98-7743	1	Bearing
60	98-7745	1	Clutch-Running, Over
65	105-2887	1	Pinion-Bevel
70	98-7746	1	Frame-End, Drive
80	100-9239	1	Magnetic Switch ASM
90	98-7748	1	Frame-End
100	98-7749	1	Brush Holder ASM
110	98-7750	4	Spring-Brush
120	98-7751	1	Gear
130	98-7752	1	Retainer
140	98-7753	5	Roller
150	98-7755	1	Ball
160	98-7754	1	Spring
170	98-7756	2	Bolt
180	98-7757	2	O-Ring
190	98-7758	2	Bolt ASM
200	98-7759	1	Pipe-Drain
210	105-2873	1	Nut
220	99-8375	1	Cover
230	100-9240	2	Bolt
240	99-8376	1	Nut-Hex
250	98-9711	1	Cord-Solenoid, Stop

Ref. No.	Part No.	Qty.	Description
260	98-9712	1	Band-Cover
270	105-2886	1	Cover ASM



Sheet No.:65

### Oil Switch / Thermometer and Plug Assembly

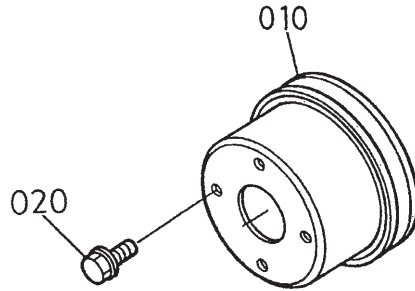
Ref. No.	Part No.	Qty.	Description
10	99-3582	1	Thermoswitch
20	98-7764	1	Switch-Oil

Ref. No.	Part No.	Qty.	Description









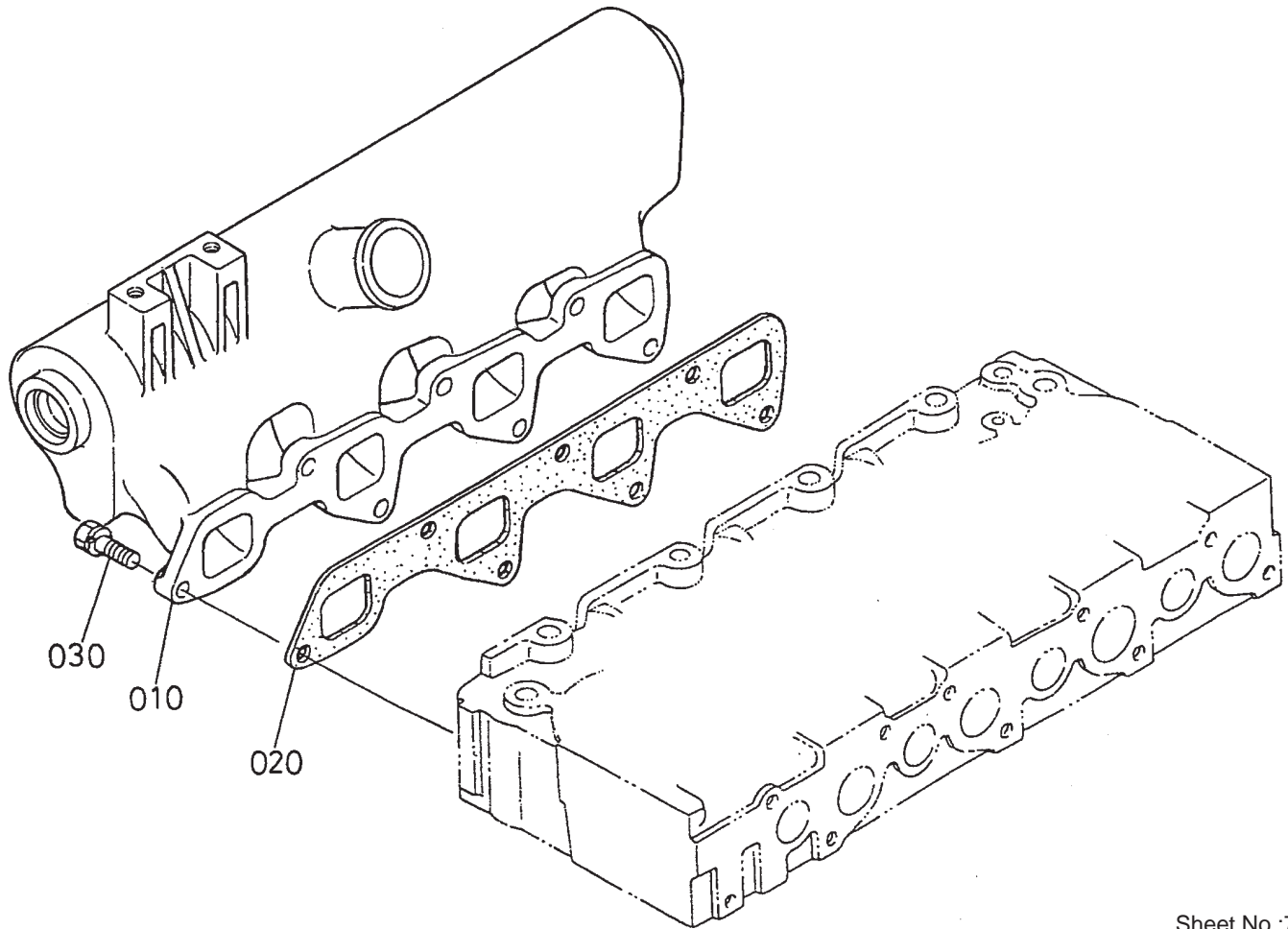
Sheet No.:70

### Fan Assembly

Ref. No.	Part No.	Qty.	Description
10	98-7702	1	Pulley-Fan
20	99-8363	4	Bolt-Flange

Ref. No.	Part No.	Qty.	Description
----------	----------	------	-------------





Sheet No.:72

### Inlet Manifold Assembly

Ref. No.	Part No.	Qty.	Description
10	100-9283	1	Inlet-Manifold
20	100-9284	1	Gasket-In Manifold
30	98-7610	7	Bolt

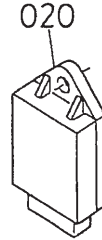
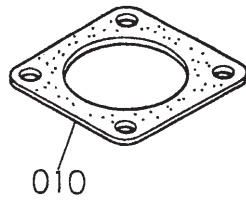
Ref. No.	Part No.	Qty.	Description









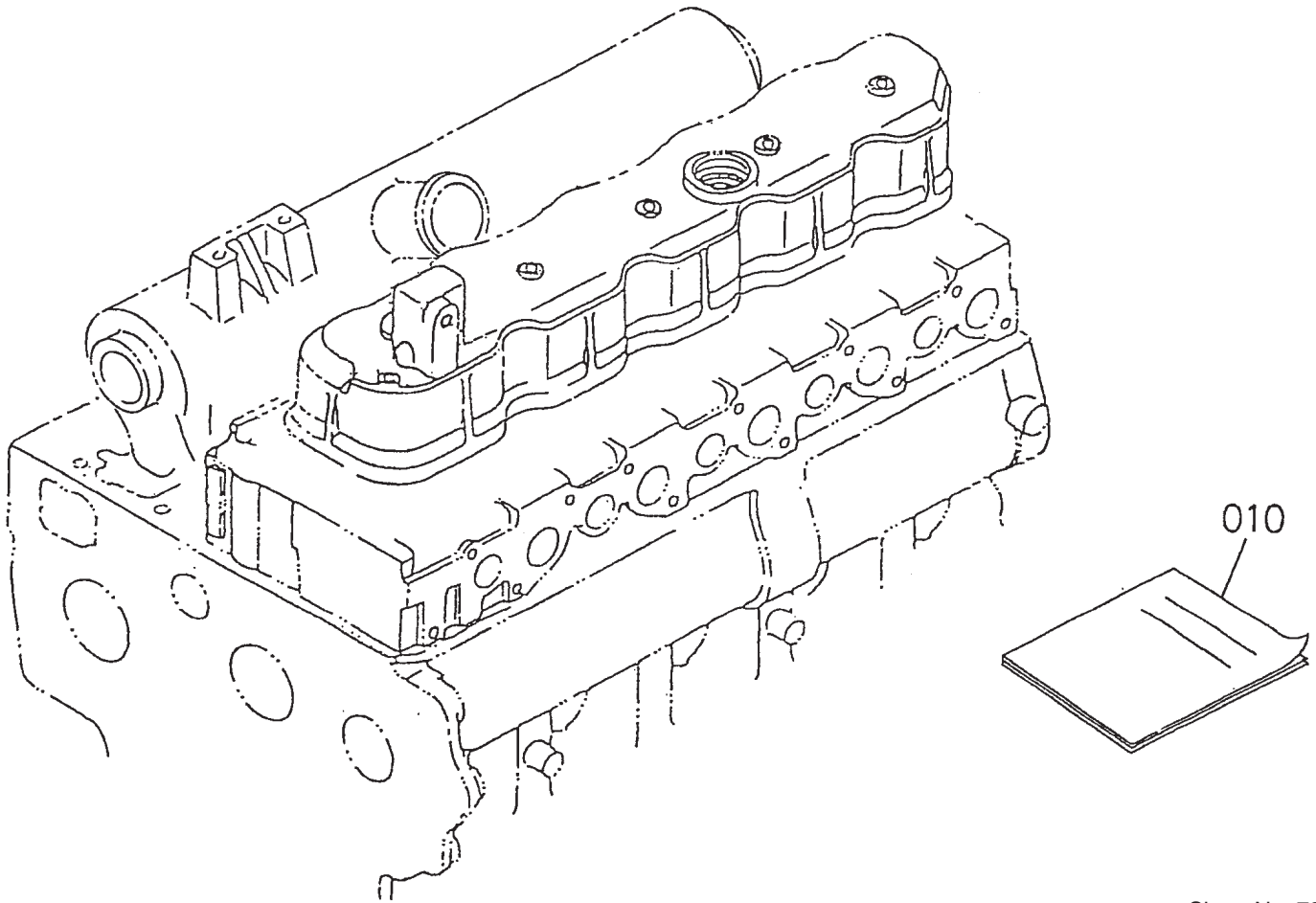


Sheet No.:77

## Muffler Gasket and Glow Controller

Ref. No.	Part No.	Qty.	Description
10	100-9333	1	Gasket-Muf fler
20	98-761 1	1	Controller-Glow

Ref. No.	Part No.	Qty.	Description
----------	----------	------	-------------

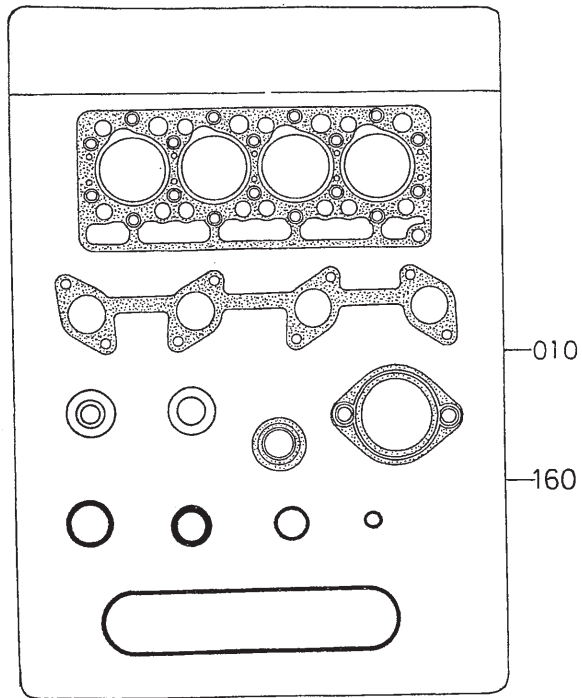


Sheet No.:78

## Engine Operator's Manual

Ref. No.	Part No.	Qty.	Description
10	100-9335	1	Manual-Instruction

Ref. No.	Part No.	Qty.	Description
----------	----------	------	-------------



Sheet No.:79

### Gasket Kit

Ref. No.	Part No.	Qty.	Description
10	100-9337	1	Upper Gasket Kit
160	98-7888	1	Lower Gasket Kit

Ref. No.	Part No.	Qty.	Description





