



Wheel Horse® Clevis "Type A" Hitch	
Model No. 85518	Installation Instructions



PROTOTYPE

INSTALLATION

Remove seat and rear fender from tractor. Remove two bolts and lock washers holding fuel tank bracket to top of transmission. Mount tube to top of fuel tank bracket and transmission with bracket and two existing fasteners (Fig. 1). Check that bushings slide into mounting holes in tractor fender support (Fig. 2) and on shaft of lift lever (Fig. 3), remove excess paint as required. Slide .050 washer, .015 shim and bushing onto each end of lift lever shaft with bushing flanges to inside.

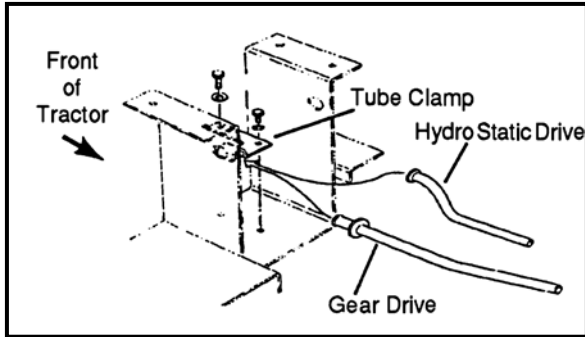


FIG. 1 Cable Tube and Clamp

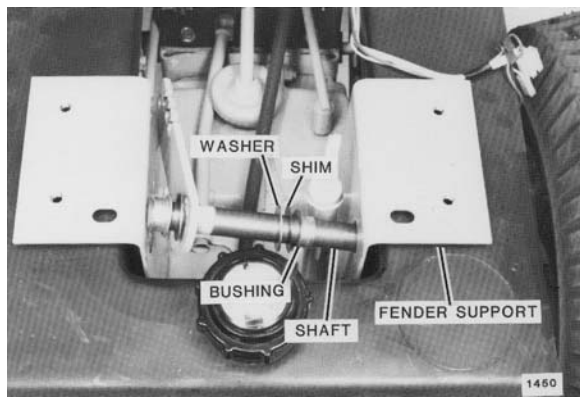


Figure 2

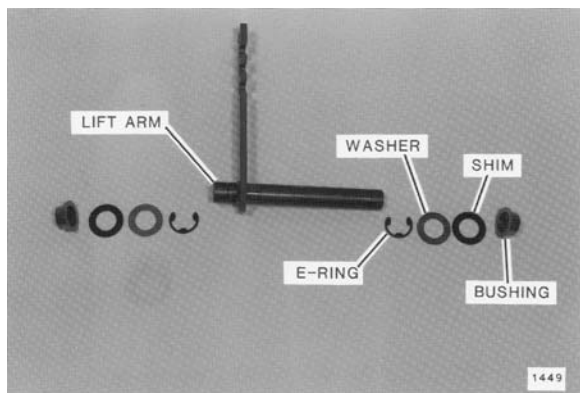


Figure 3

Insert long end of lift lever assembly into right side of fender support (Fig. 2). Push other end of lift lever assembly into left side of fender support. Position bushings all the way into fender support. Slide shims and washers next to bushings and secure with E-Rings (Fig. 4).

Check movement of lift lever. Remove washers or shims as required if lever does not rotate freely.

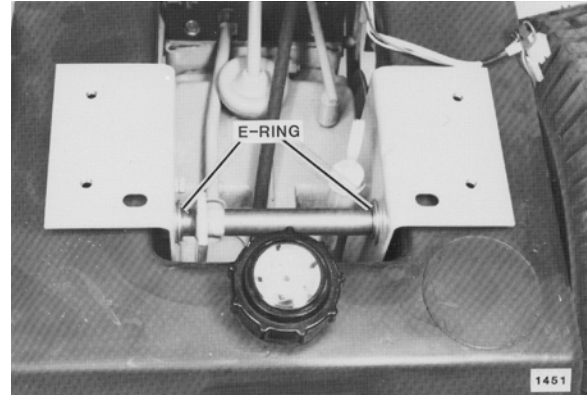


Figure 4

Insert "ball" end of cable into rear of tube until R protrudes through other end of tube (Fig. 5).

Note: 2" long clevis - Use on 8-Speed Models and Automatic Models with Right Side Transmission Oil Filter. (Sundstrand Transmission).

3 1/8" Long Clevis - Use on Automatic Models with Left Side Transmission Oil Filter (Eaton Transmission).

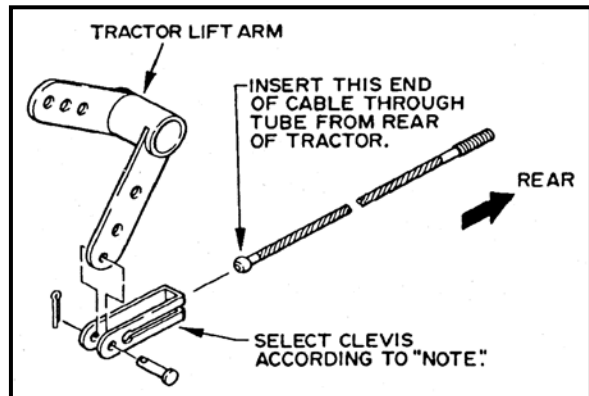


Figure 5

Lower tractor's attachment lift handle. Slip end of lift cable into slot on clevis (Fig. 5). Attach clevis to lowest hole of tractor lift arm with clevis pin and 1/4-6 x 1/2" potter Pin.- Reinstall seat pan and seat.

Hook chain long link into lower slot of lift lever (Fig. 6). Install trunnion onto threaded end of lift cable until threads of cable are flush with end of trunnion. Install trunnion into hole in lift lever and secure with washer and hairpin cotter.

Remove one retaining ring from shaft that holds tractor drawbar hitch to transmission. Remove hitch assembly and discard two spacers that center hitch. Reinstall tractor drawbar assembly using clevis hitch in place of removed two spacers (Fig. 7).

Install chain to hitch using clevis, pin and hairpin cotter (Fig. 8).

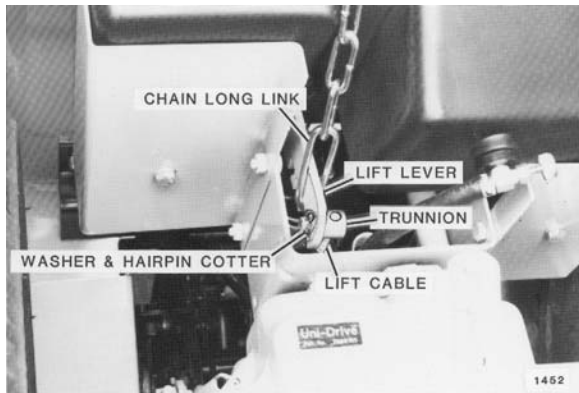


Figure 6

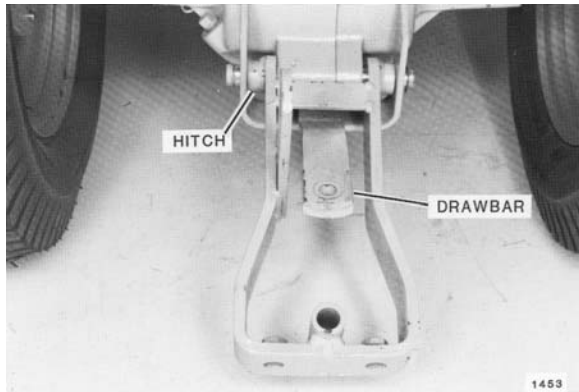


Figure 7

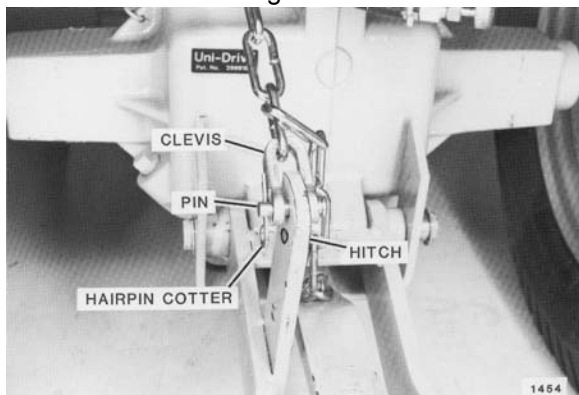


Figure 8

(Fig. 9). Lock stabilizer bolts by tightening jam nuts. (Note: Stabilizer will have to be loosened before implement can be removed.)

DO NOT stabilize moldboard plow.

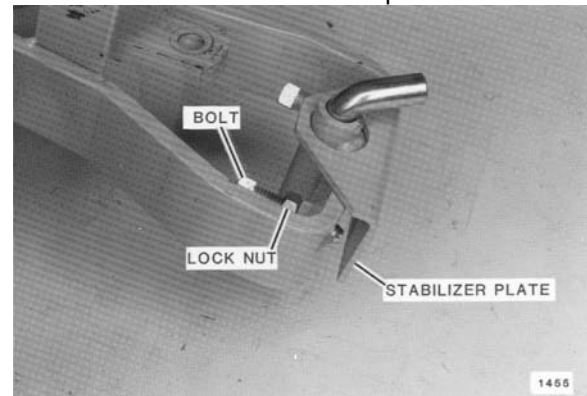


Figure 9

Lift chain may be attached to either of two holes provided on clevis hitch arm. If chain is attached to lower hole, additional ground clearance will result when attachment is raised to transport position. It is recommended that lower hole position be used only when added transport height is needed for an attachment to clear ground (Fig. 10).

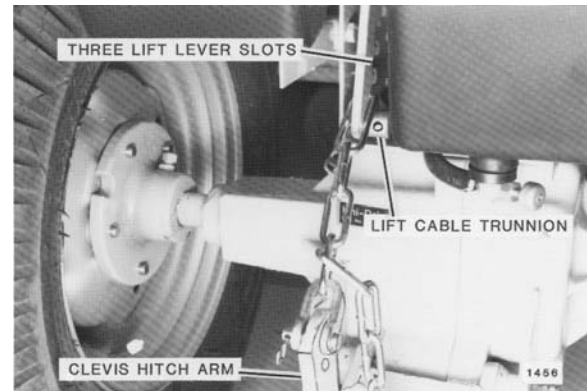


Figure 10

OPERATION

For tools requiring stabilization (elimination of side movement), install stabilizer bolts against stabilizer plate after tool is connected to hitch

With chain clevis pin in top hole of hitch arm, three slots are available on the lift lever for chain adjustment (Figs. 10 & 11).

This table shows relative effects of chain length and lift cable trunnion position for tool depth, transport ground clearance and lift effort. Tool depth can also be limited using tractor's hydraulic lift or Dial-a-Hite control, if so equipped.

Lift Lever Slot (Chain End Link Location)	Tool Depth*	Transport Ground Clearance*	Lift Effort (Manual Lift)
Top	Shallow	Low	Very Low
Middle	Deeper	Higher	Low
Bottom	Deepest	Highest	Moderate

*Threading trunnion farther onto lift cable decreases tool depth, increases ground clearance.

Figure 11



Consumer Products

THE TORO TOTAL COVERAGE GUARANTEE
A full Two-Year Warranty
(Limited Warranty for Commercial Use)

What Is Covered By This Express Warranty?

The Toro Company promises to repair any TORO Product used for residential purposes if defective in materials or workmanship for a period of two years from the date of purchase.

Transportation within a 15 mile radius of the servicing dealer is covered under this warranty for two-stage snowthrowers, walk behind debris equipment and all TORO Wheel Horse riding products.

What Products Are Covered By This Warranty?

This warranty applies to all gasoline powered Consumer Products (including TORO Wheel Horse riding products). ProLine riding products, wide area walk behind mowers and 21' Commercial mowers without blade stop controls are covered by separate warranty statements.

How About Commercial Use?

TORO Consumer Products used for commercial, institutional or rental use are covered by a limited warranty for the following time periods from the date of purchase:

Table with 2 columns: Products, Warranty Period. Lists Garden Tractors, 21' Commercial Duty Walk Mower, Lawn Tractors, and All Others with their respective warranty durations.

How Do You Get Warranty Service?

Should you feel your TORO product contains a defect in material or workmanship, contact the dealer who sold you the product or any Authorized TORO Service Dealer or TORO Master Service Dealer.

If for any reason you are dissatisfied with the Service Dealer's analysis of the defect in materials or workmanship or if you need a referral to a TORO Service Dealer, please feel free to contact us at the following address:

Toro Customer Service Department
8111 Lyndale Avenue South
Bloomington, MN 55420-1196
612-888-8801

What Must You Do To Keep The Warranty In Effect?

You must maintain your TORO Product by following the maintenance procedures described in the operator's manual. Such routine maintenance, whether performed by a dealer or by you, is at your expense.

What Does This Warranty Not Cover? and

How Does Your State Law Relate To This Warranty?

There is no other express warranty except the TORO Starting Guarantee on GTS Engines. This express warranty does not cover:

- Cost of regular maintenance service or parts, such as filters, fuel, lubricants, tune-up parts, blade sharpening, brake and clutch adjustments.
• Any product or part which has been altered or misused or required replacement or repair due to normal wear, accidents, or lack of proper maintenance.
• Repairs necessary due to improper fuel, contaminants in the fuel system, or failure to properly prepare the fuel system prior to any period of non-use over three months.
• Pickup and delivery charges for distances beyond a 15 mile radius from an Authorized TORO Service Dealer (covered products only).

All repairs covered by this warranty must be performed by an Authorized TORO Service Dealer using Toro approved replacement parts.

Repair by an Authorized TORO Service Dealer is your sole remedy under this warranty.

The Toro Company is not liable for indirect, incidental or consequential damages in connection with the use of the TORO Products covered by this warranty, including any cost or expense of providing substitute equipment or service during reasonable periods of malfunction or non-use pending completion of repairs under this warranty.

This warranty gives you specific legal rights, and you may also have other rights which vary from state to state.

COUNTRIES OTHER THAN THE UNITED STATES OR CANADA

Customers who have purchased TORO products exported from the United States or Canada should contact their TORO Distributor (Dealer) to obtain guarantee policies for your country, province, or state.