



Mid-Size ProLine Gear Traction Unit 17 HP

Model No. 30169 - 240000001 and up.

Parts Catalog

Ordering Replacement Parts

To order replacement parts, please supply the part number, the quantity, and the description of each part desired.

Understanding Reference Numbers

Each Identified part in an illustration has a reference number. The reference number for a part also appears in the parts list, along with other information about the part.

This catalog uses two special reference number formats, one to indicate parts in a service assembly and another to indicate the quantity of a given part in an illustration.

Service Assembly Reference Numbers

Parts in service assemblies have reference numbers in the form a:b. The a represents the reference number of the entire service assembly and the b represents a sequential number unique to each part within the service assembly.

For example, a wheel assembly might be identified by reference number 6, the tire by 6:1, the valve by 6:2, and the wheel by 6:3. When you order the assembly identified by reference number 6, you receive all parts identified by reference numbers 6:1, 6:2, and 6:3. However, you may also order any part individually. Reference numbers of this type appear in illustrations and in part lists.

Reference Numbers Indicating Quantity

In an illustration, if a reference number indicates more than one part, the reference number has the form nX y. The n represents the quantity of the part, the X is the multiplication symbol, and the y represents the reference number.

For example, in an illustration, the reference number 2X 37 means that two of the parts identified by reference number 37 are indicated.

Part Description Abbreviations

Part descriptions in this catalog may include the following abbreviations.

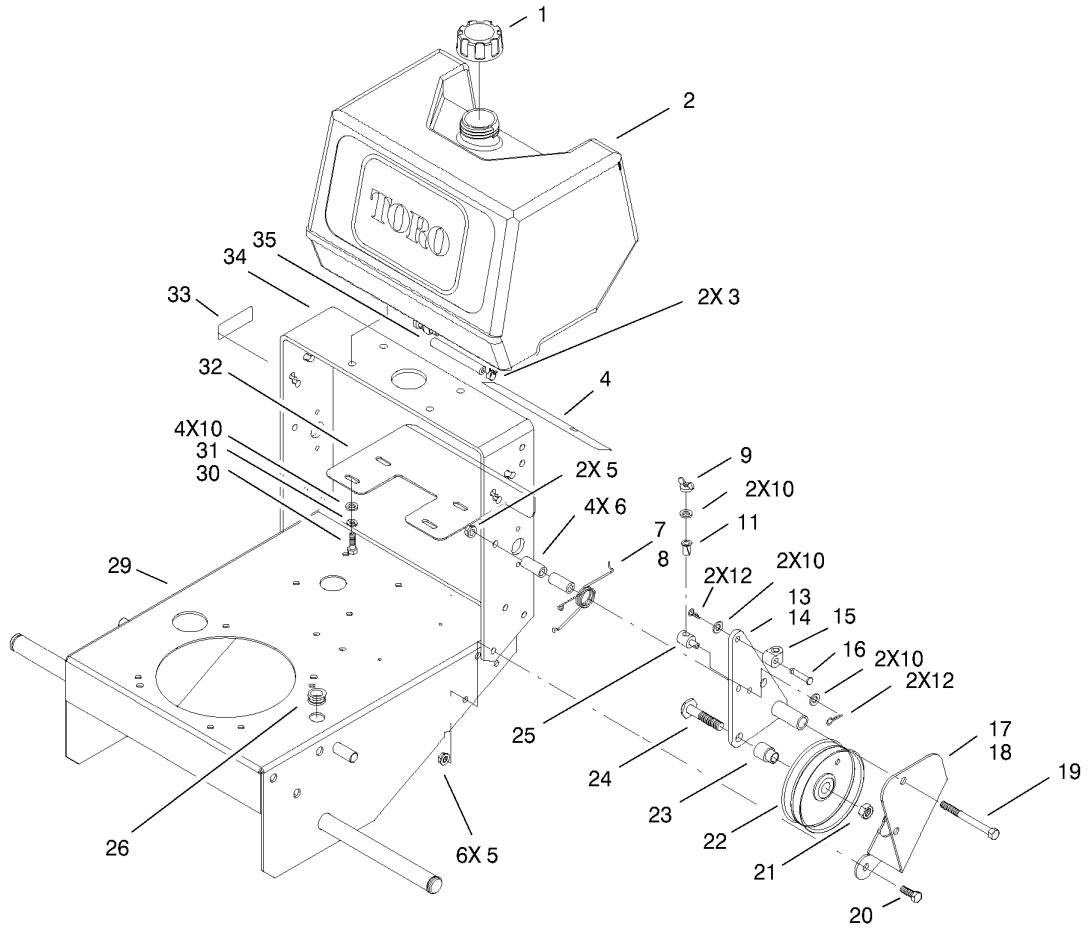
AR.	as required	HYD.	hydraulic
ASM.	assembly	INC.	incorporated
CARR.	carriage	LH.	left hand
DEG.	degrees	NI.	nylon insert
FH.	flat head	PPH.	phillips pan head
GA.	gauge	PTH.	phillips truss head
HF.	hex flange	PTO.	power take off
HH.	hex head	RH.	right hand
HHF.	hex head flange	SFH.	slotted fillister head
HHFTF.	hex head flange thread forming	SHH.	slotted hex head
HJ.	hex jam	SHWH.	slotted hex washer head
HLH.	hex lag head	SPH.	slotted pan head
HOC.	height-of-cut	SQH.	square head
HS.	hex	SRH.	slotted round head
HSBH.	hex socket button head	STD.	standard
HSFH.	hex socket flat head	TAP.	self tapping
HS.	hex socket head	TTH.	torx truss head
HWH.	hex washer head	WH.	wing head
HWHTF.	hex washer head thread forming		

Footnotes

- ❶ Not serviced separately
- ❷ Obtain Parts From Kawasaki

Contents

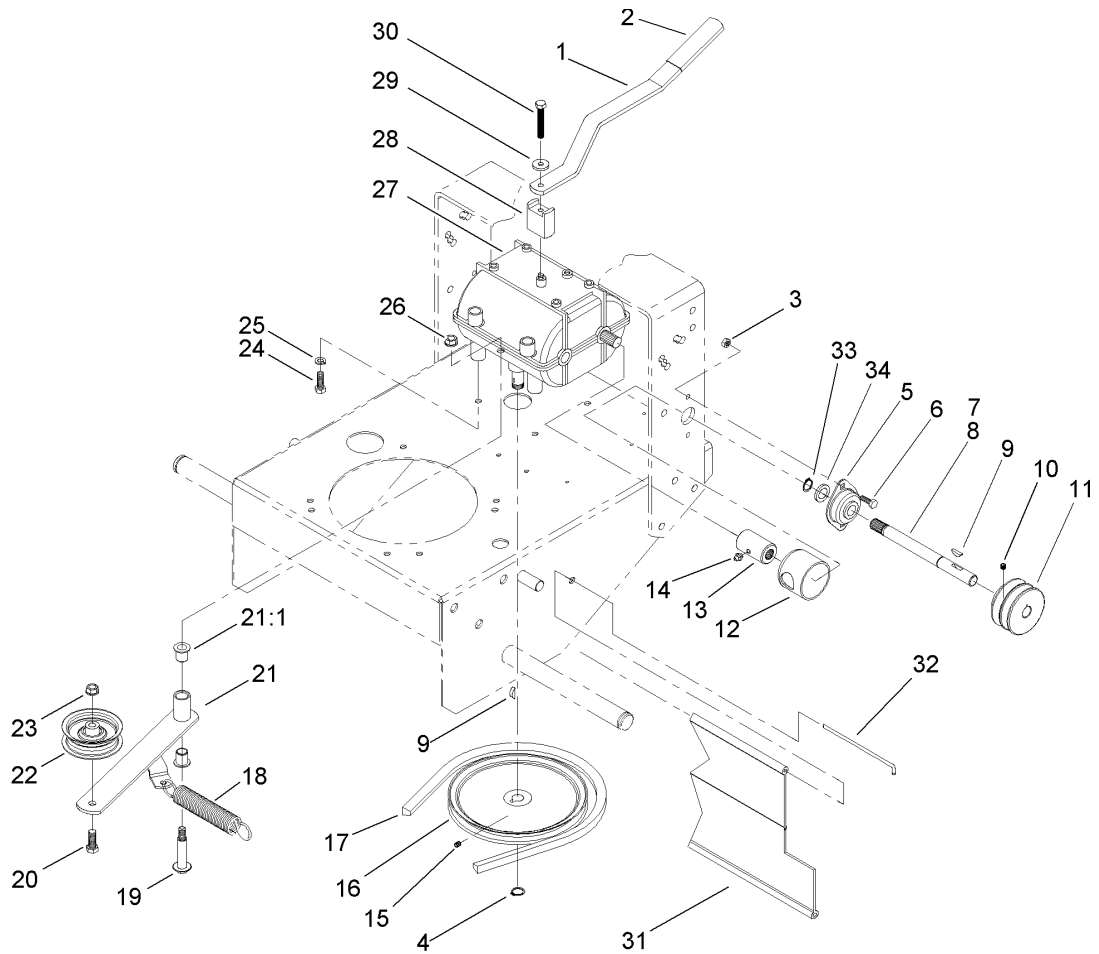
Description	Page	Description	Page
Fuel Tank and Idler Pulley Assembly 3	Electrical Equipment Assembly Kawasaki	
Transmission and Drive Pulley Assembly 4	FH500V-AS25 14
Wheel and Brake Assembly 5	Control Equipment Assembly Kawasaki	
Wheel Assembly 6	FH500V-AS25 15
Handle and Control Assembly 7	Carburetor Assembly Kawasaki FH500V-AS25 16
Engine and Muffler Assembly 8	Air Filter/Muffler Assembly Kawasaki FH500V-AS25 17
Cylinder/Crankcase Assembly Kawasaki		Fuel Tank/Fuel Valve Assembly Kawasaki	
FH500V-AS25 9	FH500V-AS25 18
Valve/Camshaft Assembly Kawasaki FH500V-AS25 10	Starter Assembly Kawasaki FH500V-AS25 19
Piston/Crankshaft Assembly Kawasaki		Decals Kawasaki FH500V-AS25 20
FH500V-AS25 11		
Lubrication Equipment Assembly Kawasaki			
FH500V-AS25 12		
Cooling Equipment Assembly Kawasaki			
FH500V-AS25 13		



Fuel Tank and Idler Pulley Assembly

Ref	Part No.	Qty.	Description
1	55-3570	1	Gas Cap ASM
2	95-2802	1	Tank-Fuel
3	2412-98	2	Clamp
4	82-7750	1	Decal-Ground Speed
5	3296-39	8	Nut-Lock, NI
6	74-0040	4	Spacer-Pivot, Idler
7	51-4370	1	Spring-Torsion, RH
8	51-4380	1	Spring-Torsion, LH
9	32103-25	2	Nut-Wing
10	3256-23	10	Washer-Flat
11	52-2890	2	Bushing-Nylon
12	3290-307	4	Pin-Hair
13	74-0230-01	1	Bracket-Idler, RH
14	74-0220-01	1	Bracket-Idler, LH
15	74-0521	2	Fitting-Rod
16	283-6	2	Pin-Clevis
17	67-6370-01	1	Bracket-Support, RH
18	67-6380-01	1	Bracket-Support, LH
19	323-16	2	Screw-HH
20	323-6	6	Screw-HH
21	3296-23	2	Nut-Lock, NI
22	95-2800	2	Pulley-Idler
23	95-2801	2	Spacer-Pulley
24	51-4450	2	Screw-Leveler

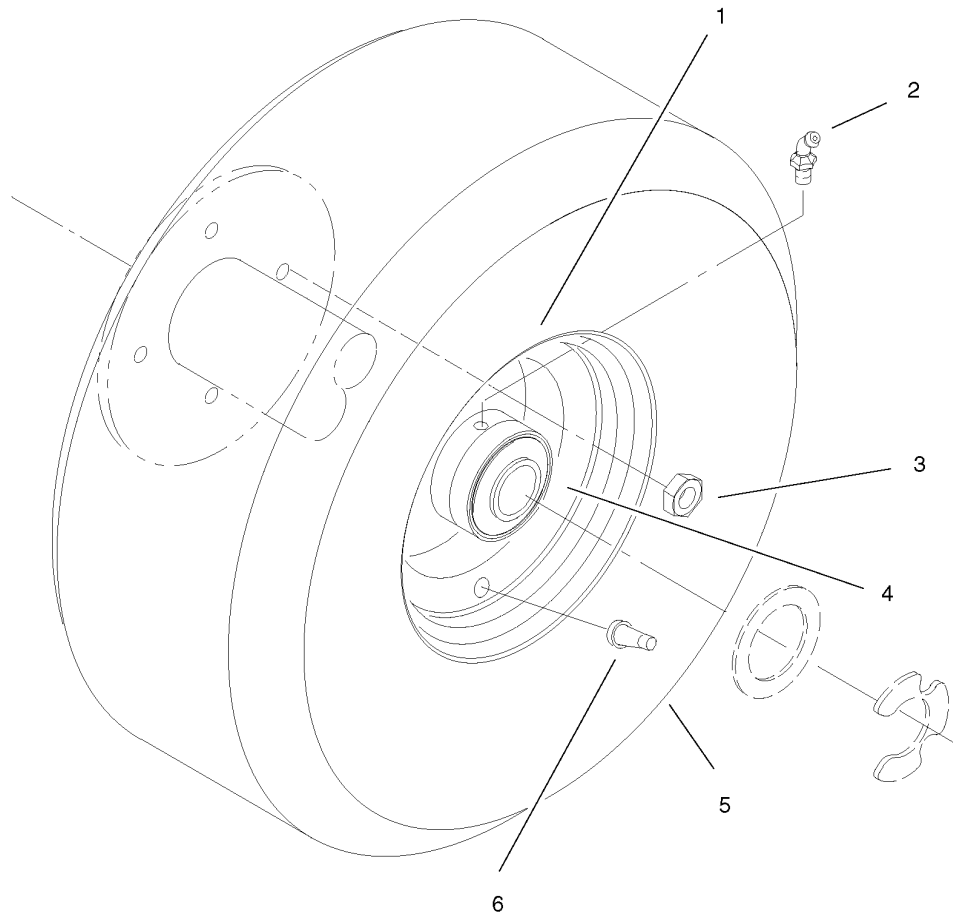
Ref	Part No.	Qty.	Description
25	68-9690	2	Fitting-Rod
26	237-124	1	Grommet
29	93-1156-01	1	Frame
30	322-4	4	Screw-HH
31	3253-4	4	Washer-Lock
32	66-7400-01	1	Plate-Control
33	95-2814	1	Decal-Shut Off, Fuel
34	74-0360-01	1	Frame-Rear
35	47-2962	1	Hose-Fuel



Transmission and Drive Pulley Assembly

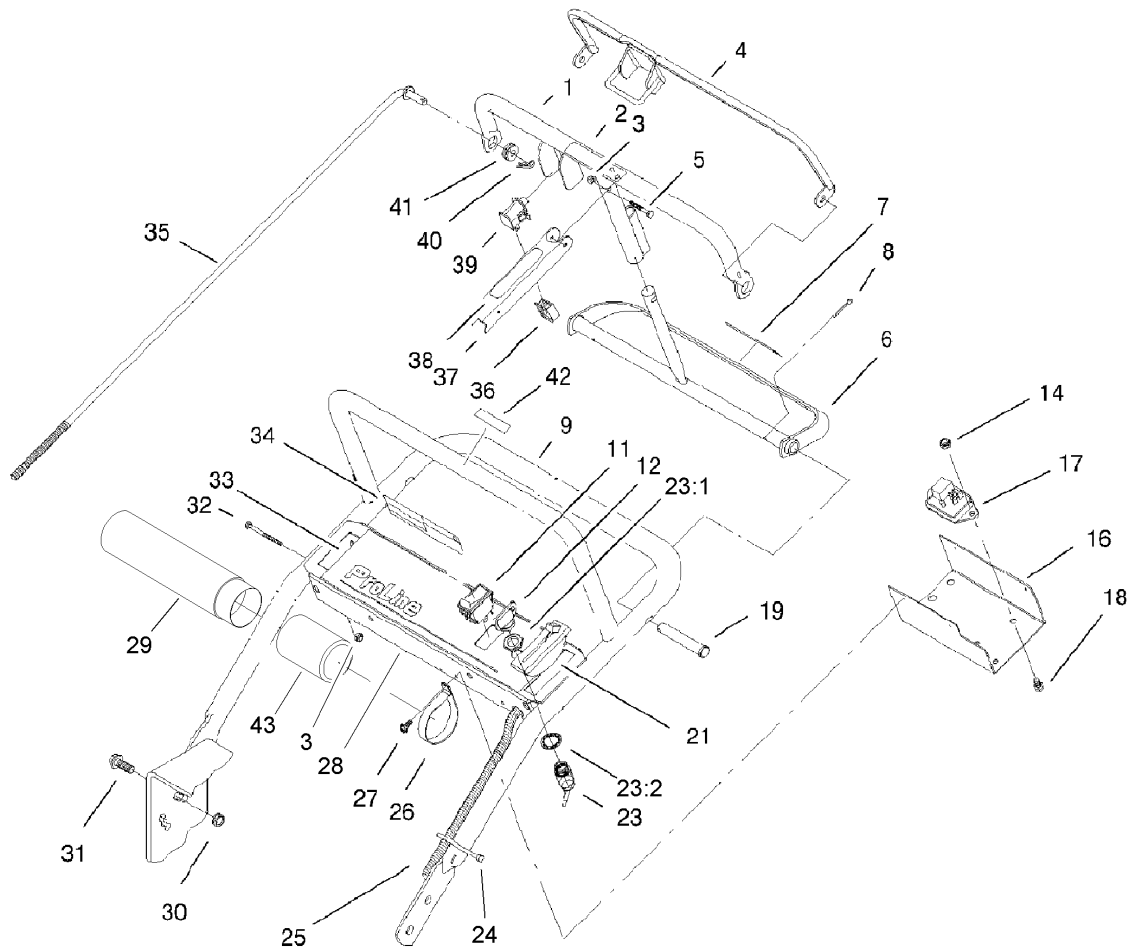
Ref	Part No.	Qty.	Description
1	74-0320-01	1	Lever-Shift
2	47-1970	1	Grip
3	3296-42	4	Nut-Lock, NI
4	32120-64	1	Ring-Snap, External
5	1-323254	2	Flange-Output
6	321-4	4	Screw-HH
7	98-0788	1	Shaft-Extension, RH
8	98-0787	1	Shaft-Extension, LH
9	3257-5	3	Key-Woodruff
10	3245-3	2	Screw-Set, HS
11	105-0828	2	Pulley-Transmission
12	51-4220	2	Guard-Coupler
13	1-323680	2	Coupler
14	302-5	2	Fitting-Grease
15	3245-1	1	Screw-Set, HSH
16	51-4190	1	Pulley-Driven
17	26-9671	1	V-Belt
18	68-2190	1	Spring
19	27-6230	1	Bolt-Wheel
20	323-8	1	Screw-HH
21	16-7509	1	Lever-Idler
21:1	256-155	2	Bushing-Flange
22	62-4540	1	Pulley
23	3296-39	1	Nut-Lock, NI

Ref	Part No.	Qty.	Description
24	322-2	4	Screw-HH
25	3253-4	4	Washer-Lock
26	3296-6	1	Nut-Lock, NI
27	98-0791	1	Transmission
28	72-2190	1	Mount-Lever, Shift
29	7-5461	1	Spacer
30	329-10	1	Screw-HH
31	95-1526	1	Shield-Trailing
32	95-1529	1	Rod-Shield
33	32151-62	2	Ring-Retaining
34	1-323252	2	Bearing-Shaft



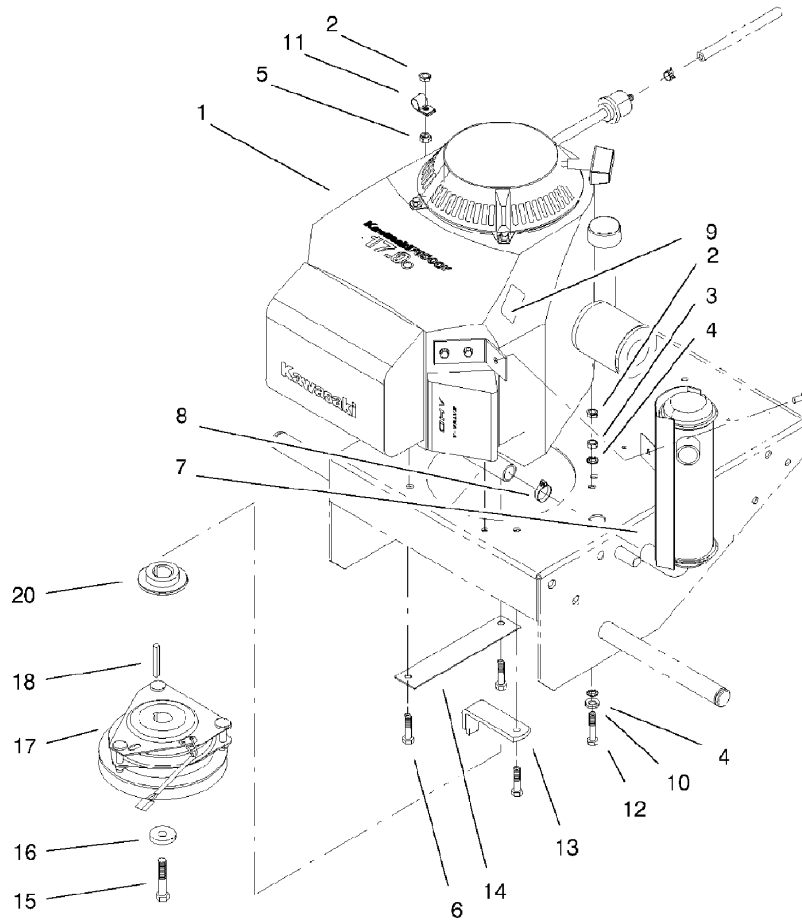
Wheel Assembly

Ref	Part No.	Qty.	Description
1	242-80	1	Wheel And Hub ASM
2	302-11	1	Fitting-Lube, 45 DEG
3	3296-29	4	Nut-Lock, NI
4	92-1746	2	Bearing-Ball
5	231-117	1	Tire
6	232-27	1	Stem-Valve



Handle and Control Assembly

Ref	Part No.	Qty.	Description	Ref	Part No.	Qty.	Description
1	82-7690-03	1	Bar-Control	28	82-2180-03	1	Panel-Control
2	82-2290	1	Decal	29	104-7050	1	Housing-Manual
3	3296-2	5	Nut-Lock	30	32128-21	4	Nut-HF
4	82-7680-03	1	Bail	31	3234-11	4	Screw-HHF
5	32105-1	1	Screw-SHH	32	32105-14	4	Screw-SHH
6	106-5477-03	1	Control Pivot ASM	33	106-0685	1	Decal-Panel, Control
7	82-2280	1	Decal	34	105-0884	1	Decal-Danger
8	3272-11	2	Pin-Cotter	35	82-7631	2	Rod-Control
9	67-6440-01	1	Handle-Upper	36	218-595	1	Connector-Body
11	104-8140	1	Switch-PTO	37	51-4850-03	1	Lever-Brake, Parking
12	63-8360	2	Key-Ignition	38	52-2010	1	Decal-Lever, Parking
14	3296-42	1	Nut-Lock, NI	39	82-2190	1	Switch-Bail
16	93-1187-03	1	Panel-Bottom	40	3290-307	2	Pin-Hair
17	104-8141	1	Module-Delay	41	237-141	2	Grommet-Rubber
18	321-2	1	Screw-HH	42	98-4387	1	Decal-Protection, Ear
19	283-55	2	Pin-Clevis	43	104-7048	1	Cap-Housing
21	100-6450	1	Control-Throttle				
23	29-5560	1	Switch-On/off				
23:1	218-461	1	Nut-HH				
23:2	3254-5	1	Washer-Tooth				
24	3290-378	2	Tie-Cable				
25	104-8137	1	Harness-Wire				
26	2412-120	2	R-Clamp				
27	32104-76	4	Screw				



Engine and Muffler Assembly

Ref	Part No.	Qty.	Description
1		1	Engine-Kawasaki, Fh500v-As29
2	3217-6	2	Nut-Hex
3	32152-1	1	Nut-Lock, NI
4	3255-8	2	Washer-Lock
5	3296-29	3	Nut-Lock, NI
6	322-7	2	Screw-HH
7	100-6467	1	Muffler
8	100-6468	1	Clamp-Muffler
9	63-8440	1	Decal-Surface, Hot
10	3256-23	1	Washer-Flat
11	2412-93	1	Clamp-R
12	322-9	2	Screw-HH
13	51-4540-03	1	Retainer-Clutch
14	94-5847-01	1	Cover-Pulley
15	3212-9	1	Screw-HH
16	112843	1	Washer
17	105-2635	1	Clutch/brake
18	608006	1	Key-Square
20	105-0827	1	Pulley-Drive

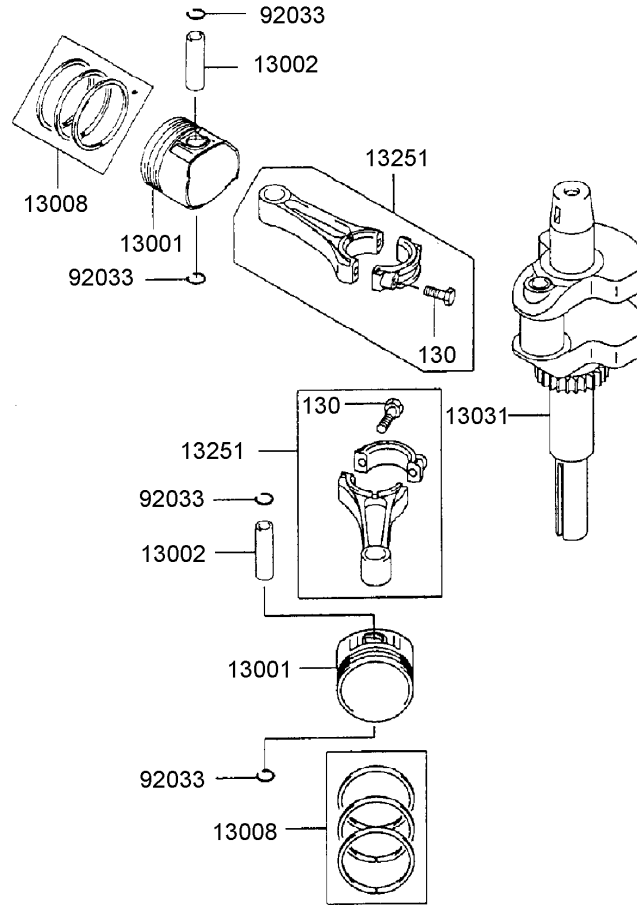
--	--	--	--



Valve/Camshaft Assembly Kawasaki FH500V-AS25

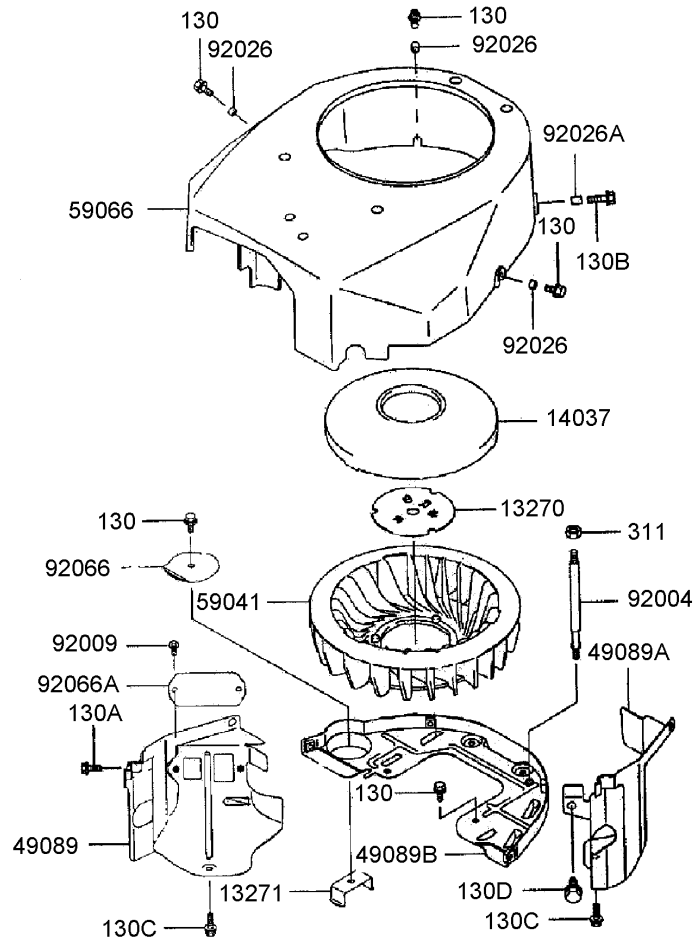
Ref	Part No.	Qty.	Description
●12004	12004-7001	2	Valve-Intake
●12005	12005-7001	2	Valve-Exhaust
●12009	12009-7001	4	Retainer-Valve, Spring
●12011	12011-2056	8	Collet
●12016	12016-7001	4	Arm-Rocker
●12032	12032-7001	4	Tappet
●13070	13070-7001	2	Guide
●13070A	13070-7002	1	Guide
●13116	13116-2057	4	Rod-Push
●13270	13270-7002	1	Plate
●13270A	13270-7003	1	Plate
●42036	42036-7001	1	Sleeve
●49078	49078-7001	4	Spring-Engine, Valve
●49118	49118-7002	1	Camshaft-Comp
●92009	92009-2341	4	Screw
●92015	92015-2253	4	Nut
●92033	92033-7001	2	Ring-Snap
●92140	92140-7002	6	Ball
●92145	92145-7001	1	Spring
●92151	92151-7001	4	Bolt
●92200	92200-7001	1	Washer

--	--	--	--



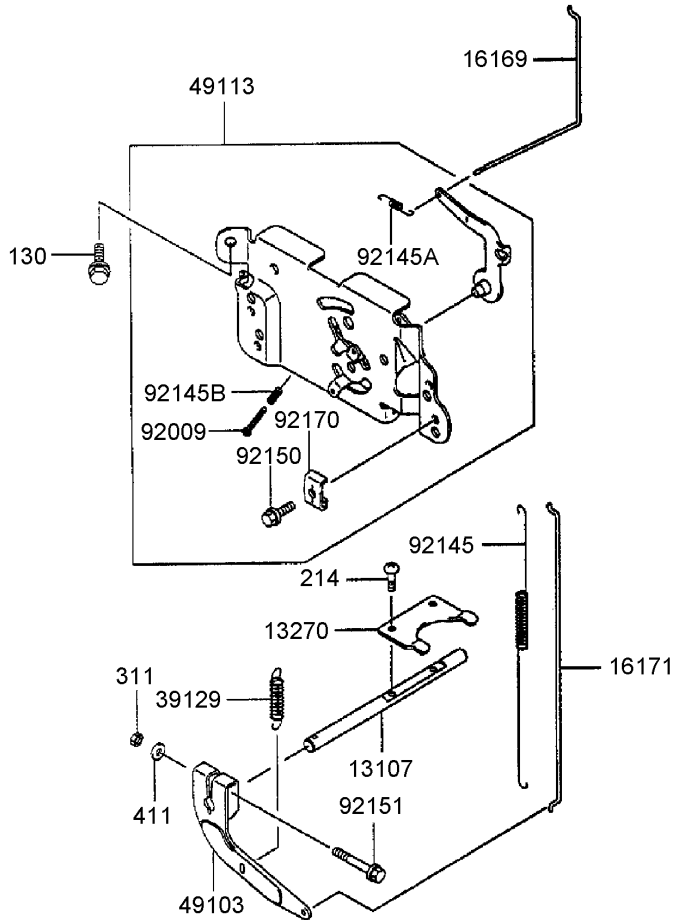
Piston/Crankshaft Assembly Kawasaki FH500V-AS25

Ref	Part No.	Qty.	Description				
②13001	13001-7001	2	Piston-Engine				
②13002	13002-7001	2	Pin-Piston				
②13008	13008-6055	2	Ring-Set-Piston				
②13031	13031-7001	1	Crankshaft-Comp				
②13251	13251-7001	2	Rod-Assy-Connecting				
②92033	92033-7002	4	Ring-Snap				
②130	130G0630	4	Bolt-Flanged				



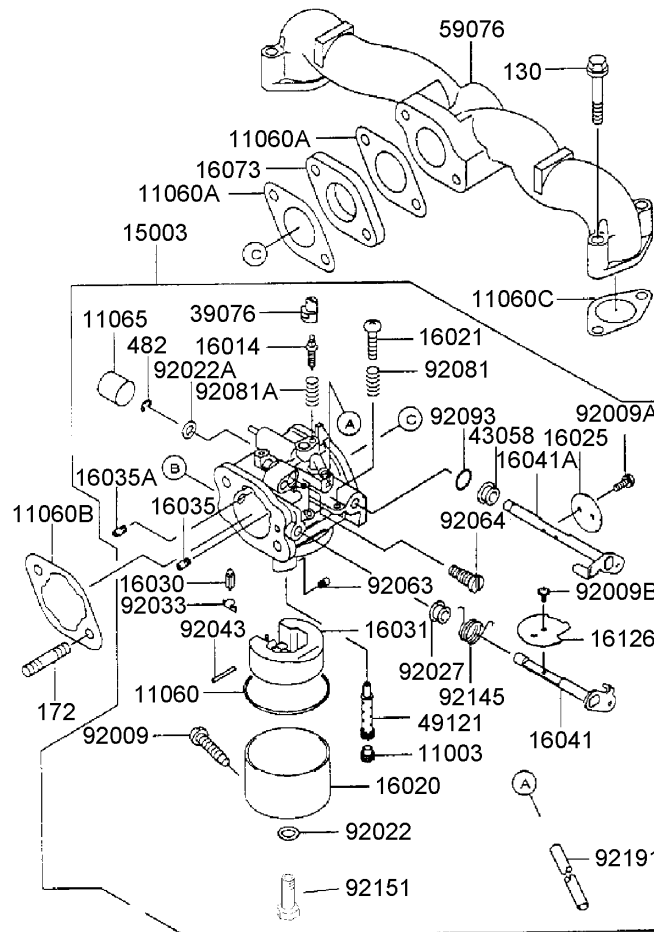
Cooling Equipment Assembly Kawasaki FH500V-AS25

Ref	Part No.	Qty.	Description				
● 130	130B0612	6	Bolt-Flanged				
● 130A	130B0616	2	Bolt-Flanged				
● 130B	130B0620	1	Bolt-Flanged				
● 130C	130B0625	2	Bolt-Flanged				
● 130D	130B0816	1	Bolt-Flanged				
● 13270	13270-7007	1	Plate				
● 13271	13271-7002	1	Plate				
● 14037	14037-7002	1	Screen				
● 311	311B0600	2	Nut-Hex				
● 49089	49089-7001	1	Shroud-Engine				
● 49089A	49089-7002	1	Shroud-Engine				
● 49089B	49089-7003	1	Shroud-Engine				
● 59041	59041-7001	1	Fan				
● 59066	59066-7002	1	Housing-Fan				
● 92004	92004-7006	1	Stud				
● 92009	92009-2308	1	Screw				
● 92026	92026-7001	3	Spacer, 6.2x7.9x5				
● 92026A	92026-7003	1	Spacer				
● 92066	92066-7004	1	Plug				
● 92066A	92066-7004	1	Plug				



Control Equipment Assembly Kawasaki FH500V-AS25

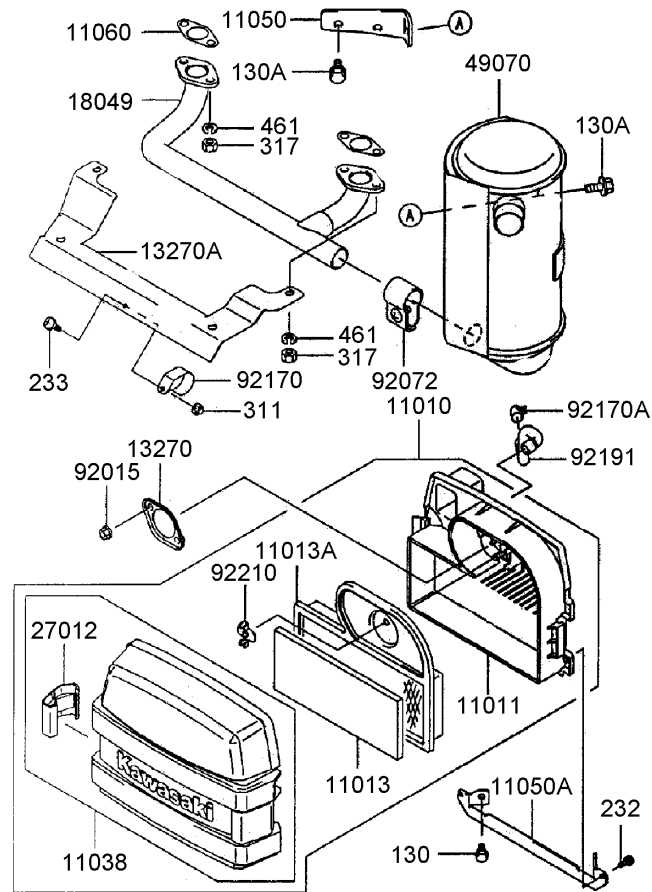
Ref	Part No.	Qty.	Description				
②13107	13107-7002	1	Shaft				
②13270	13270-7006	1	Plate				
②16169	16169-7001	1	Link-Choke				
②16171	16171-7001	1	Link				
②39129	39129-7003	1	Spring-Governor				
②49103	49103-7001	1	Arm-Governor				
②49113	49113-7001	1	Panel-Comp-Control				
②92009	92009-7002	1	Screw, 4x30				
②92145	92145-7003	1	Spring				
②92145A	92145-7004	1	Spring				
②92145B	92145-7005	1	Spring				
②92150	92150-2182	1	Bolt, 5x18				
②92151	92151-7006	1	Bolt, 6x30				
②92170	92170-7001	1	Clamp				
②130	130B0612	2	Bolt-Flanged				
②214	214B0408	2	Screw-Pan				
②311	311B0600	1	Nut-Hex				
②411	411b0600	1	Washer-Plain				



Carburetor Assembly Kawasaki FH500V-AS25

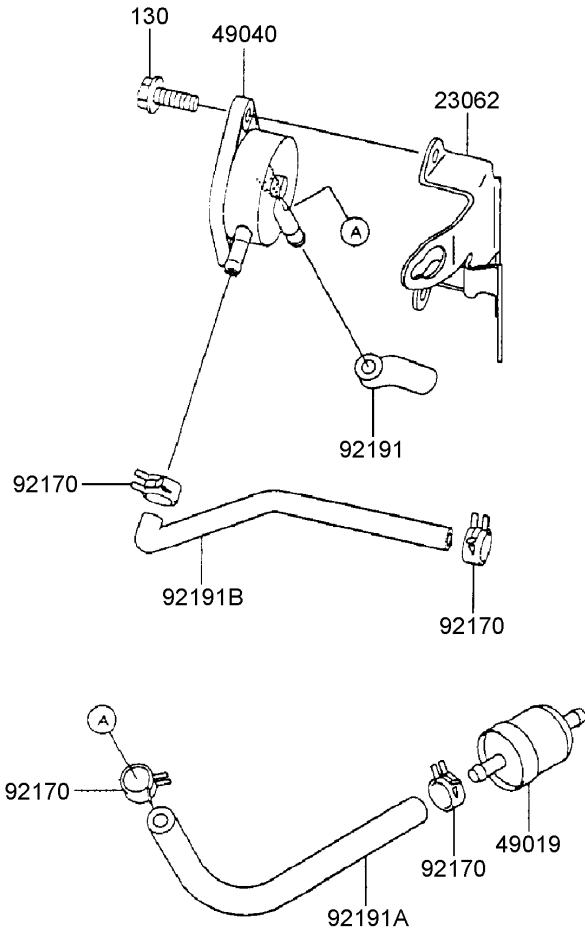
Ref	Part No.	Qty.	Description
②11003	11003-2105	1	Seat-Valve
②11060	11060-2406	1	Gasket, Chamber
②11060A	11060-7003	2	Gasket-Insulator
②11060B	11060-7004	1	Gasket-Air Filter
②11060C	11060-7005	2	Gasket, Manifold
②11065	11065-2061	1	Cap
②15003	15003-2698	1	Carburetor-Assy
②16014	16014-2080	1	Screw-Pilot Air
②16020	16020-2141	1	Chamber-Float
②16021	16021-2060	1	Screw-Throttlestop
②16025	16025-2193	1	Valve-Throttle, #130
②16030	16030-2067	1	Valve-Float
②16031	16031-2066	1	Float
②16035	16035-2060	1	Jet-Air, #1.7
②16035A	16035-2061	1	Jet-Air, #1.2
②16041	16041-2252	1	Shaft-Carburetor, Choke
②16041A	16041-2253	1	Shaft-Carburetor, Throttle
②16073	16073-7001	1	Insulator
②16126	16126-2219	1	Valve
②39076	39076-2053	1	Limiter
②43058	43058-3716	1	Ring
②49121	49121-2222	1	Nozzle-Main
②59076	59076-7001	1	Manifold-Intake
②92009	92009-2015	1	Screw

Ref	Part No.	Qty.	Description
②92009A	92009-2024	2	Screw
②92009B	92009-2081	1	Screw
②92022	92022-2231	1	Washer
②92022A	92022-2239	1	Washer
②92027	92027-2025	1	Collar
②92033	92033-2067	1	Ring-Snap
②92043	92043-2226	1	Pin
②92063	92063-2358	1	Jet-Main
②92064	92064-2125	1	Jet-Pilot
②92081	92081-2009	2	Spring
②92081A	92081-2256	1	Spring
②92093	92093-2002	1	Seal
②92145	92145-2061	1	Spring
②92151	92151-2092	1	Bolt
②92191	92191-7008	1	Tube
②130	130B0635	4	Bolt-Flanged
②172	172G0685	2	Bolt-Stud
②482	482L4000	1	Circlip-Type-E



Air Filter/Muffler Assembly Kawasaki FH500V-AS25

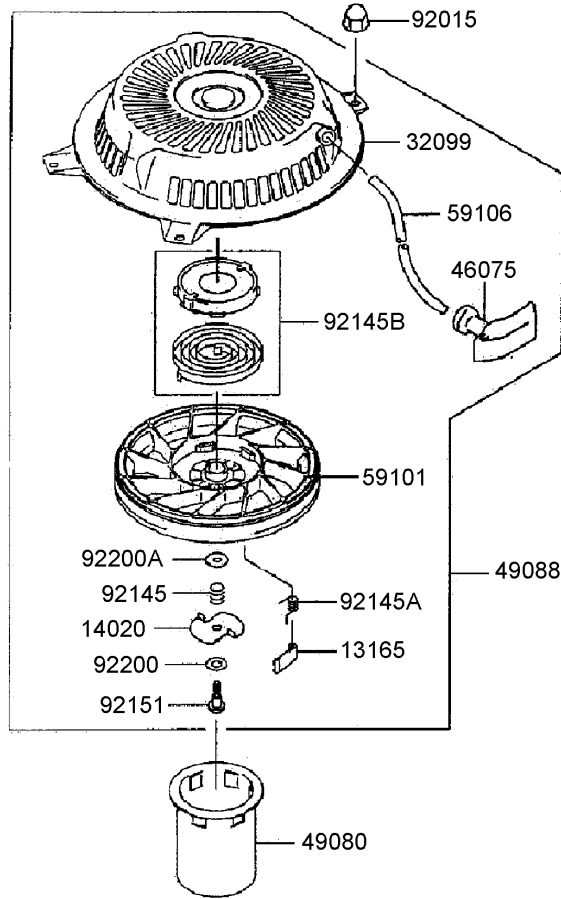
Ref	Part No.	Qty.	Description	Ref	Part No.	Qty.	Description
②11010	11010-7001	1	Air Filter ASM	②317	317R0800	4	Nut-Hex (Small)
②11011	11011-7001	1	Case-Air Filter	②461	461F0800	4	Washer-Spring
②11013	11013-7001	1	Element-Air Filter				
②11013A	11013-7002	1	Element-Air Filter				
②11038	11038-7001	1	Case-ASM-Air Filter				
②11050	11050-7004	1	Bracket				
②11050A	11050-7006	1	Bracket				
②11060	11060-7006	2	Gasket, Muffler				
②13270	13270-7001	1	Plate				
②13270A	13270-7008	1	Plate				
②18049	18049-7001	1	Pipe-Exhaust				
②27012	27012-7001	2	Hook,air Filter				
②49070	49070-7002	1	Muffler-Comp				
②92072	92072-7002	1	Band				
②92015	92015-1193	2	Nut				
②92170	92170-7002	1	Clamp				
②92170A	92170-7003	1	Clamp				
②92191	92191-7001	1	Tube				
②92210	92210-7004	1	Nut				
②130	130B0612	2	Bolt-Flanged				
②130A	130B0816	2	Bolt-Flanged				
②232	232B0514	2	Screw-Pan-Ws+				
②233	233B0416	1	Screw-Pan, Wp				
②311	311B0400	1	Nut-Hex				



Fuel Tank/Fuel Valve Assembly Kawasaki FH500V-AS25

Ref	Part No.	Qty.	Description
② 23062	23062-7001-9H	1	Bracket-Comp
② 49019	49019-7001	1	Filter-Fuel
② 49040	49040-2075	1	Pump-Fuel
② 92170	92170-2088	4	Clamp
② 92191	92191-7002	1	Tube
② 92191A	92191-7003	1	Tube, 6.35x12.7x160
② 92191B	92191-7004	1	Tube
② 130	130B0620	2	Bolt-Flanged

--	--	--	--



Starter Assembly Kawasaki FH500V-AS25

Ref	Part No.	Qty.	Description				
②13165	13165-700	2	Pawl, Recoil Starter				
②14020	14020-7001	1	Retainer				
②32099	32099-7001	1	Case, Recoil Starter				
②46075	46075-7001	1	Grip-Recoil, Starter				
②49080	49080-7001	1	Pulley-Starting				
②49088	49088-7001	1	Starter-Recoil				
②59101	59101-7001	1	Reel-Recoil, Starter				
②59106	59106-7001	1	Rope				
②92015	92015-1170	4	Nut				
②92145	92145-7006	1	Spring				
②92145A	92145-7007	2	Spring				
②92145B	92145-7008	1	Spring				
②92151	92151-7008	1	Bolt				
②92200	92200-7004	1	Washer				
②92200A	92200-7005	1	Washer				

NOTES

NOTES

NOTES

