



# Cyclone 1000 Debris Blower

## Sand Pro<sup>®</sup>

Model No. 08857—230000001 and Up

## Parts Catalog

### Ordering Replacement Parts

To order replacement parts, please supply: the part number, the quantity, and the description of each part desired.

### Understanding Reference Numbers

Each identified part in an illustration has a reference number. The reference number for a part also appears in the parts list, along with other information about the part.

This catalog uses two special reference number formats, one to indicate parts in a service assembly and another to indicate the quantity of a given part in an illustration.

### Service Assembly Reference Numbers

Parts in service assemblies have reference numbers in the form **a:b**. The **a** represents the reference number of the entire service assembly and the **b** represents a sequential number unique to each part within the service assembly.

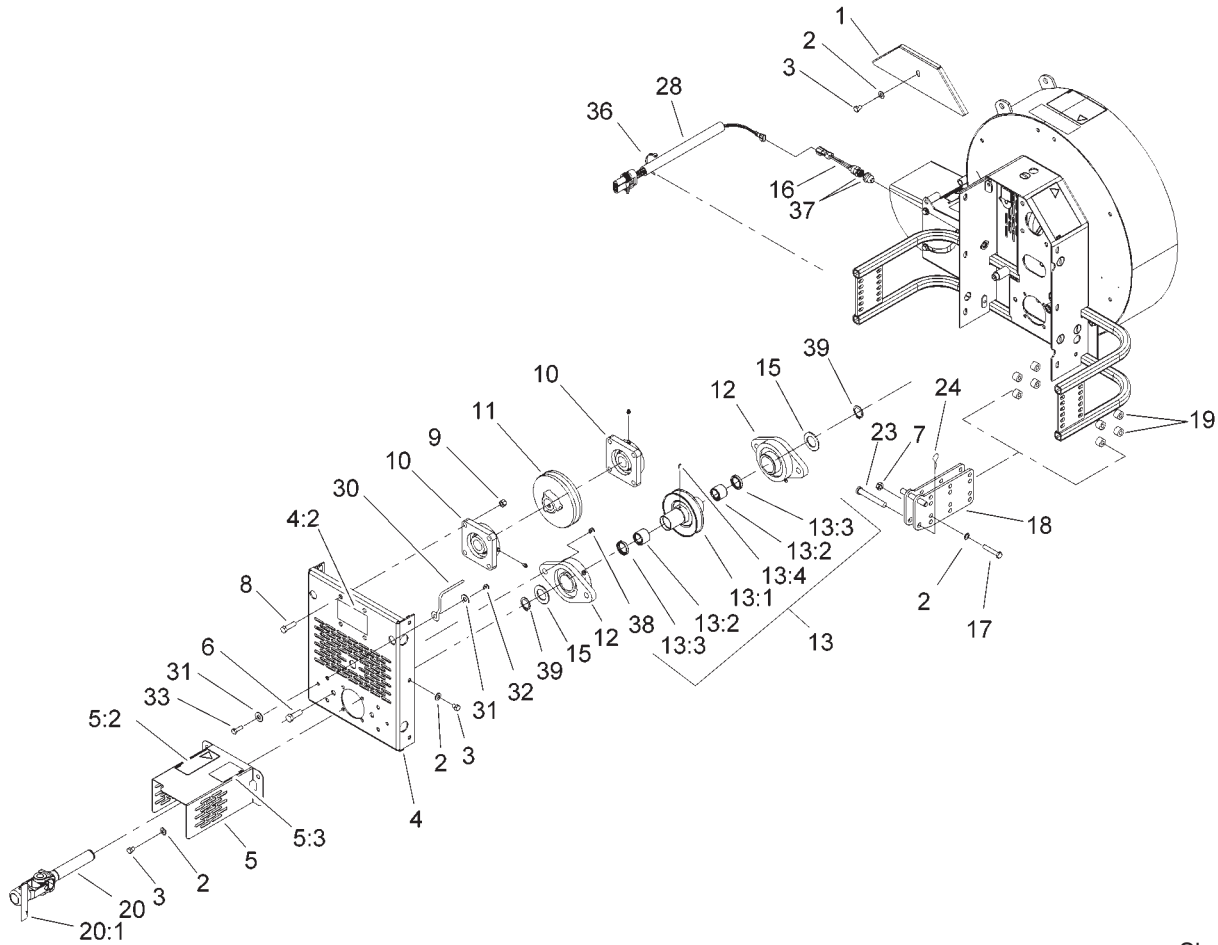
For example, a wheel assembly might be identified by reference number **6**, the tire by **6:1**, the valve by **6:2**, and the wheel by **6:3**. When you order the assembly identified by reference number **6**, you receive all parts identified by reference numbers **6:1**, **6:2**, and **6:3**. However, you may also order any part individually.

Reference numbers of this type appear in illustrations and in part lists.

### Reference Numbers Indicating Quantity

In an illustration, if a reference number indicates more than one part, the reference number has the form **nX y**. The **n** represents the quantity of the part, the **X** is the multiplication symbol, and the **y** represents the reference number.

For example, in an illustration, the reference number **2X 37** means that two of the parts identified by reference number **37** are indicated.

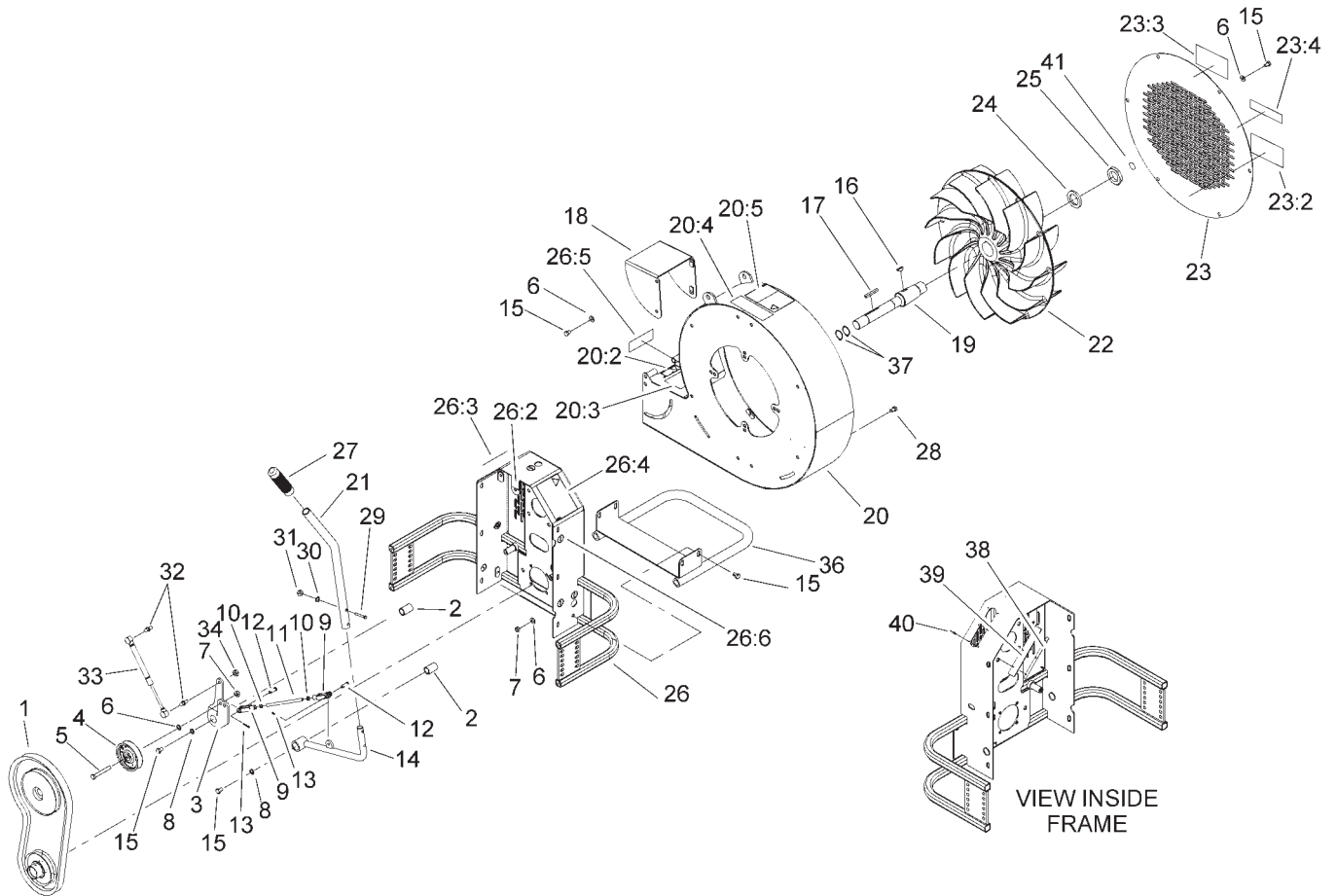


Sheet No.:2

## Blower, Fan and Frame Assembly

Ref. No.	Part No.	Qty.	Description
1	98-1 155-01	1	Cover
2	3256-24	19	Washer-Flat
3	323-2	11	Screw-HH
4	106-0275	1	Rear Bracket ASM
4:2	105-0709	1	Decal-Warning
5	106-0273	1	PTO Cover ASM
5:2	98-31 13	1	Decal-Caution
5:3	98-3137	1	Decal-Points, Grease
6	325-6	4	Screw-HH
7	32146-2	8	Nut-Lock, NI
8	324-6	8	Screw-HH
9	3296-48	8	Nut-Lock, NI
10	94-8987	2	Bearing
11	98-3139	1	Pulley
12	98-8659	2	Bearing ASM
13	104-0250	1	Clutch ASM
13:1	98-8680	1	Pulley-Clutch
13:2	71-4580	2	Bearing
13:3	98-1 176	2	Seal-Grease
13:4	302-5	1	Fitting-Grease
15	98-3138	2	Washer-Thrust
16	94-3429	1	Switch-Ball
17	323-47	8	Screw-HH
18	98-1 167	2	Hitch
19	98-1 162	16	Spacer-Standof f
20	106-0274	1	Driveshaft ASM

Ref. No.	Part No.	Qty.	Description
20:2	98-31 15	1	Decal-Area, Danger
23	283-78	2	Pin-Clevis
24	3290-355	2	Pin-Hair
28	98-1 183	1	Harness-Blower , Debris
30	52-4780	2	Rod-Belt
31	3256-74	4	Washer-Flat
32	3296-69	2	Nut-Lock NI
33	322-5	2	Screw-HH
36	3290-378	1	Tie-Cable
37	3256-69	2	Washer-Flat
38	3296-23	4	Nut-Lock, NI
39	32151-87	2	Ring-Retaining



Sheet No.:3

## Pulley, Bracket and Cover Assembly

Ref. No.	Part No.	Qty.	Description
1	98-1 179	1	V-Belt
2	256-185	2	Bushing
3	98-1 117	1	Plate-Pivot
4	36-3220	1	Pulley-Idler
5	323-19	1	Screw-HH
6	3256-24	22	Washer-Flat
7	32146-2	7	Nut-Lock, NI
8	3256-35	2	Washer-Flat
9	282-2	2	Yoke
10	3220-2	2	Nut
11	98-1 132	1	Link-Connect
12	283-1	2	Pin-Yoke
13	3272-10	2	Pin-Cotter
14	98-1 113	1	Lever-Clutch
15	323-2	14	Screw-HH
16	3257-42	1	Key-Woodruff
17	5-1718	1	Key-Clutch
18	98-1 140-01	1	Chute-Fan
19	98-1 154	1	Shaft-Fan
20	106-0240	1	Fan Scroll ASM
20:2	93-6674	1	Decal-Warning
20:3	105-0708	1	Decal-Danger
20:4	105-0707	1	Decal-Ansi
20:5	98-31 10	1	Decal-Caution
21	98-1 116-01	1	Lever-Clutch
22	94-8950	1	Fan

Ref. No.	Part No.	Qty.	Description
23	106-0241	1	Front Screen ASM
23:2	98-7213	1	Decal-Cyclone 1000
23:3	67-1300	1	Decal-Toro
23:4	93-9083	1	Decal-Caution
24	77-0950	1	Washer-Castor
25	3218-17	1	Nut-Jam
26	106-0242	1	Frame ASM
26:2	98-31 14	1	Decal-Warning
26:3	98-31 16	1	Decal-Engagement
26:4	98-31 10	1	Decal-Caution
26:5	98-31 12	1	Decal-Caution
26:6	58-6520	5	Decal-Grease
27	95-0886	1	Grip
28	98-8666	6	Bolt-Elevator
29	321-13	2	Screw-HH
30	3256-72	2	Washer-Flat
31	32146-17	2	Nut-Lock
32	98-3104	2	Stud-Ball
33	98-3103	1	Strut
34	3218-2	2	Nut-Jam
36	98-8657-01	1	Bar-Skid
37	32120-33	2	Ring-Retaining
38	98-3143	2	Shield-Rubber
39	98-3144-01	2	Strip-Bracket
40	3269-8	6	Rivet
41	98-31 11	1	Decal-Rotating

