



Count on it.

Parts Catalog

**Dingo® TX 425 Wide Track
Compact Utility Loader**

Model No. 22307—Serial No. 280000001 and Up



Ordering Replacement Parts

To order replacement parts, please supply the part number, the quantity, and the description of each part desired.

Understanding Reference Numbers

Each identified part in an illustration has a reference number. The reference number for a part also appears in the parts list, along with other information about the part.

This catalog uses two special reference number formats, one to indicate parts in a service assembly and another to indicate the quantity of a given part in an illustration.

Service Assembly Reference Numbers

Parts in service assemblies have reference numbers in the form a:b. The a represents the reference number of the entire service assembly and the b represents a sequential number unique to each part within the service assembly.

For example, a wheel assembly might be identified by reference number 6, the tire by 6:1, the valve by 6:2, and the wheel by 6:3. When you order the assembly identified by reference number 6, you receive all parts identified by reference numbers 6:1, 6:2, and 6:3. However, you may also order any part individually. Reference numbers of this type appear in illustration and in parts lists.

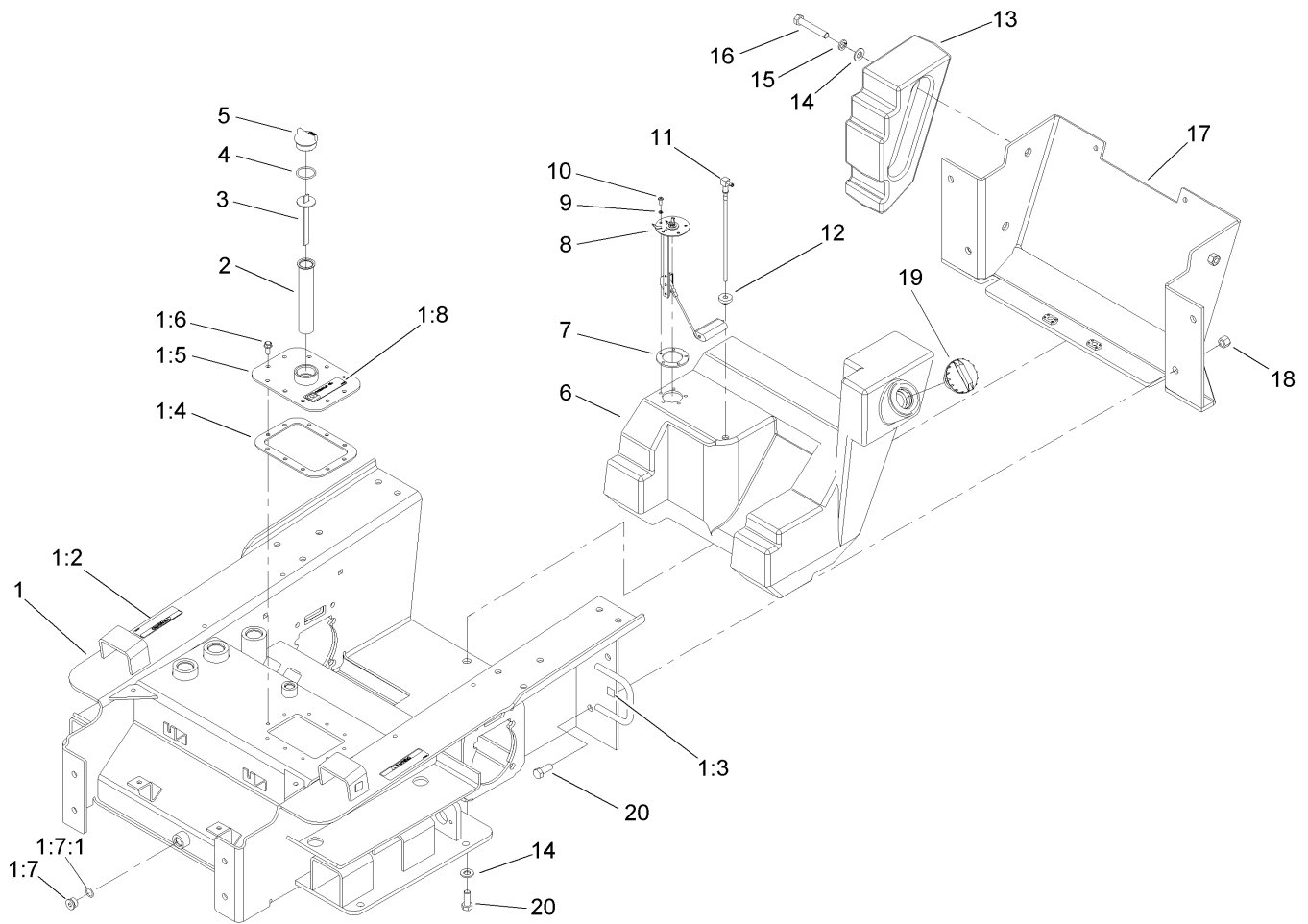
Reference Numbers Indicating Quantity

In an illustration, if a reference number indicates more than one part, the reference number has the form nX y. The n represents the quantity of the part, the X is the multiplication symbol, and the y represents the reference number.

For example, in an illustration, the reference number 2X 37 means that two of the parts identified by reference number 37 are indicated.

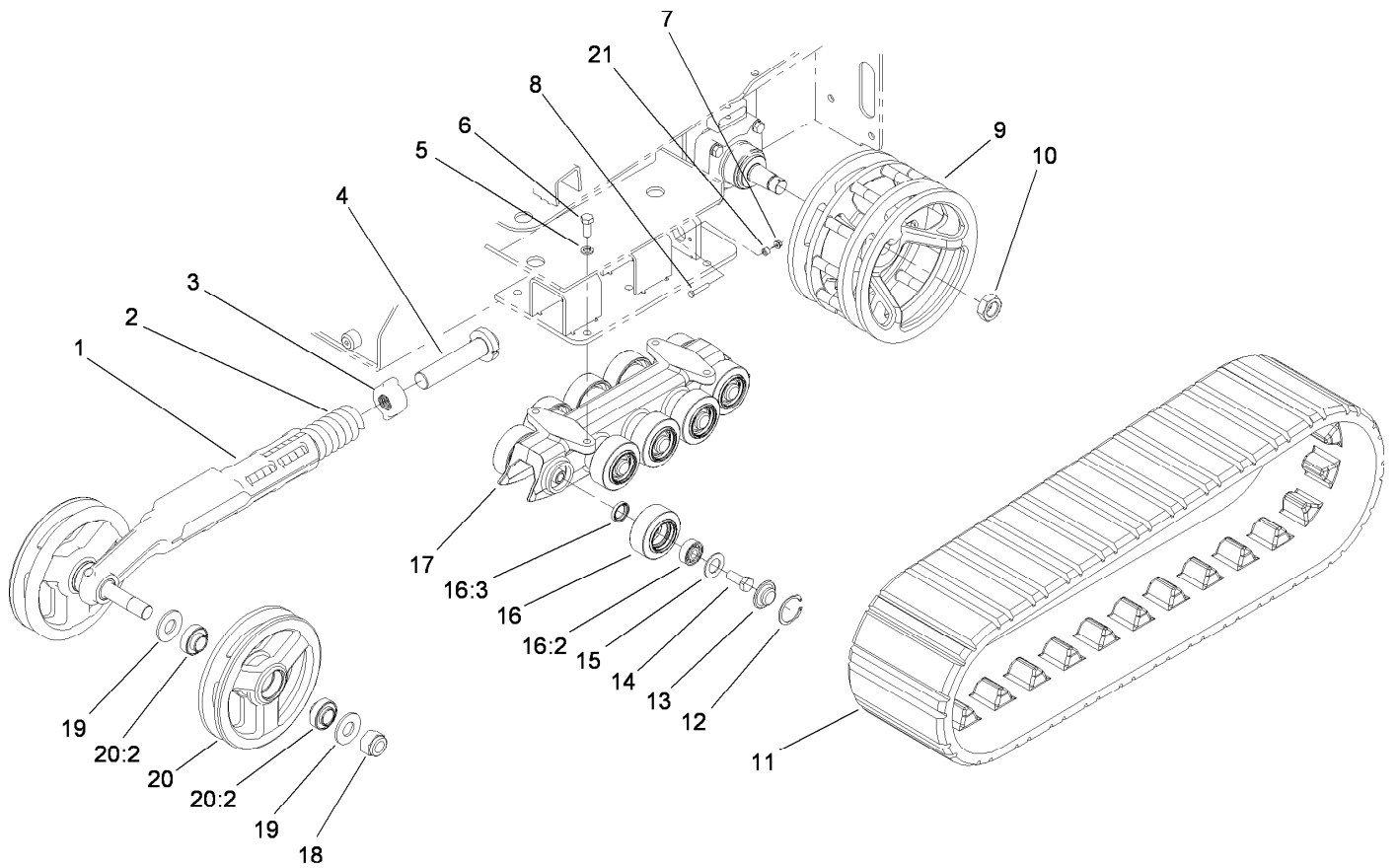
Contents

Main Frame and Fuel Tank Assembly	4
Track and Traction Assembly	5
Parking Brake Assembly	6
Loader Tower and Drive Assembly	7
Traction Hydraulic Assembly	8
Hydraulic Pump Assembly No. 106-5705 and 106-5706	9
Hydraulic Motor Assembly No. 114-1756	10
Engine and Mount Assembly	11
Hydraulic Pump and Filter Assembly	12
Hydraulic Gear Pump Assembly No. 106-7650	13
Control Panel Assembly	14
Traction Control Assembly	15
Principal Hydraulic Assembly	16
Two Spool Valve Assembly No. 106-9307	18
One Spool Valve Assembly No. 104-2831	19
Loader Arm Assembly	20
Loader Arm Hydraulic Assembly	21
Left Hand Hydraulic Lift Cylinder Assembly No. 104-6267	22
Right Hand Hydraulic Lift Cylinder Assembly No. 104-6269	23
Hydraulic Cylinder Assembly No. 105-8370	24
Quick Attach Assembly	25
Electrical System Assembly	26
Grill Assembly	27
Hydraulic Oil Cooler Assembly	28
Hood Assembly	29
Rear Access Cover Assembly	30
Crankshaft Assembly Kohler CH730-0162	31
Crankcase Assembly Kohler CH730-0162	32
Oil Pan and Lubrication Assembly Kohler CH730-0162	33
Head, Valve and Breather Assembly Kohler CH730-0162	35
Ignition and Electrical Assembly Kohler CH730-0162	37
Blower Housing and Baffle Assembly Kohler CH730-0162	38
Starting System Assembly Kohler CH730-0162	39
Fuel System Assembly Kohler CH730-0162	40
Engine Control Assembly Kohler CH730-0162	41
Air Intake and Filtration Assembly Kohler CH730-0162	42
Exhaust Assembly Kohler CH730-0162	43
Decal Assembly Kohler CH730-0162	44
Attachments and Accessories	45



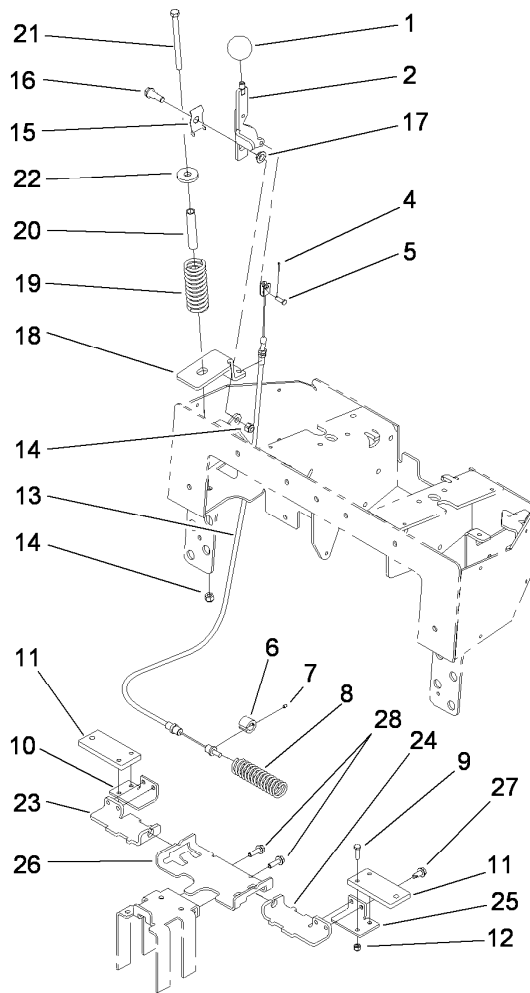
Main Frame and Fuel Tank Assembly

<i>Ref.</i>	<i>Part Number</i>	<i>Qty.</i>	<i>Description</i>	<i>Ref.</i>	<i>Part Number</i>	<i>Qty.</i>	<i>Description</i>
1	115-0746	1	Chassis ASM	7	113372	1	Gasket-Sender, Fuel
1:2	100-6141	2	Decal-Pinch	8	100-1298	1	Sender-Fuel
1:3	93-9084	4	Decal-Point, Lift	9	3253-17	5	Washer-Lock
1:4	100-1253	1	Gasket-Cover, Access	10	3250-31	5	Screw-PPH
1:5	104-8389-01	1	Tank Cover ASM	11	98-0185	1	Pipe-Stand
1:6	98-9940	10	Screw-HHF	12	46-6560	1	Bushing
1:7	353-988	2	Plug-Hex	13	99-6165-01	2	Counterweight-Rear
1:7:1	237-79	1	O-Ring	14	3256-26	6	Washer-Flat
1:8	105-8432	1	Decal-Oil, HYD	15	3253-7	4	Washer-Lock
2	61-2790	1	Filter-Screen	16	325-12	4	Screw-HH
3	100-2097	1	Dipstick-Oil	17	106-9388-01	1	Rear Chassis Cover ASM
4	237-123	1	O-Ring	18	3296-23	4	Nut-Lock, NI
5	93-7498	1	Plug-Plastic	19	93-3101	1	Cap-Fuel
6	95-3619	1	Tank-Fuel	20	325-5	6	Screw-HH



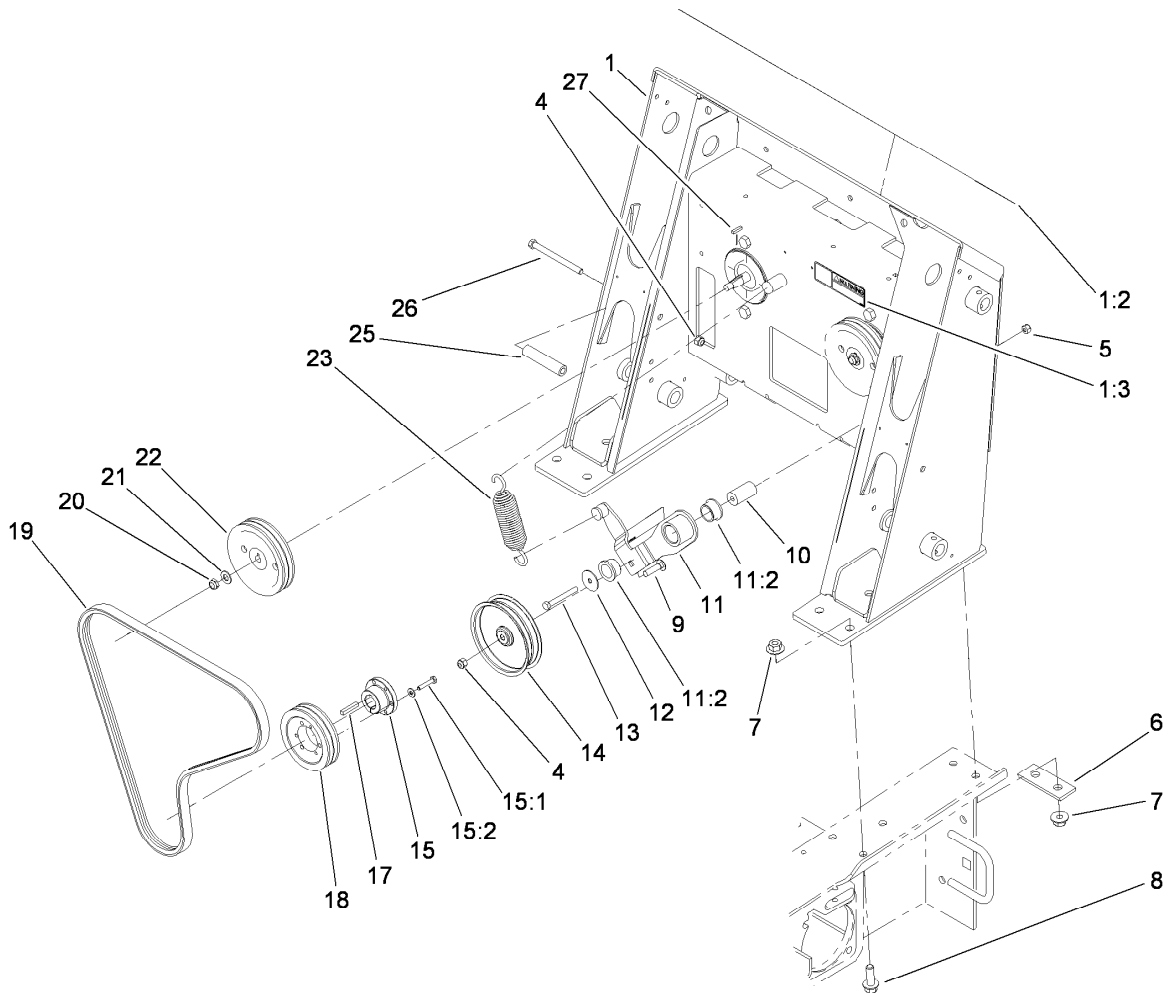
Track and Traction Assembly

<i>Ref.</i>	<i>Part Number</i>	<i>Qty.</i>	<i>Description</i>
1	115-0717-03	2	Arm-Tensioner
2	95-3624	2	Spring-Compression
3	108-4664	2	Block-Tensioner
4	98-9846	2	Bolt-Tensioner
5	3253-7	8	Washer-Lock
6	325-5	8	Screw-HH
7	32128-32	2	Nut-HHF
8	321-37	2	Screw-HH
9	110-0146-03	2	Wheel-Drive
10	107-9319	2	Nut-Hex
11	100-8931	2	Track
12	106-7595	20	Ring-Snap, Internal
13	106-7557	20	Cap-Wheel, Bearing
14	327-4	20	Screw-HH
15	106-7585	20	Gasket-Bogie
16	106-7621	20	Road Wheel ASM
16:2	93-4237	1	Bearing
16:3	253-118	1	Seal-Oil
17	106-7592-03	2	Guide-Track
18	104-2024	4	Nut-Hex, NI
19	115-0722	8	Washer-Plain
20	104-6123	4	Tensioner Wheel ASM
20:2	104-6129	2	Bearing-Ball
21	98-4799	2	Spacer



Parking Brake Assembly

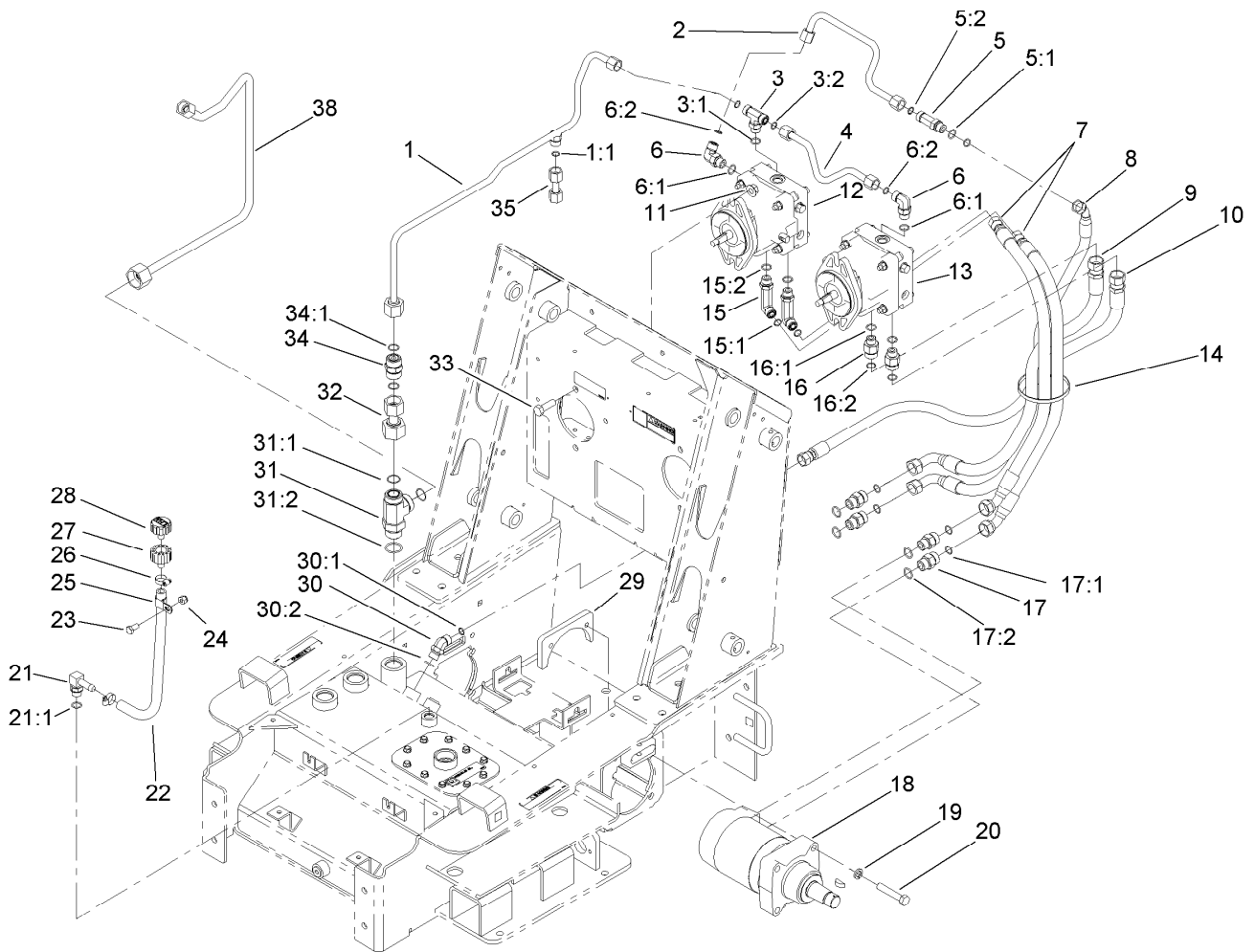
<i>Ref.</i>	<i>Part Number</i>	<i>Qty.</i>	<i>Description</i>	<i>Ref.</i>	<i>Part Number</i>	<i>Qty.</i>	<i>Description</i>
1	233-21	1	Knob	16	94-6177	1	Bolt-Shoulder
2	112-2694-03	1	Handle-Brake	17	93-2368	1	Bushing-Flange
4	3272-1	1	Pin-Cotter	18	114-1253	1	Bracket-Cable, Spring
5	283-67	1	Pin-Clevis	19	114-1254	1	Spring-Compression
6	100-6274	2	Tube-Guide	20	114-1255	1	Spacer-Spring
7	3245-20	2	Screw-Set	21	323-21	1	Screw-HH
8	100-1678	1	Spring	22	98-0691	1	Washer-Hardened
9	321-6	4	Screw-HH	23	112-2788-03	1	Bracket-Mounting, Brake RH
10	112-2789-03	1	Bar-Link, Brake RH	24	112-2733-03	1	Bracket-Mounting, Brake LH
11	112-2735-03	2	Plate-Brake	25	112-2734-03	1	Bar-Link, Brake LH
12	3296-42	4	Nut-Lock, NI	26	110-0224-03	1	Support-Bar, Brake
13	112-2791	1	Cable-Brake	27	32104-32	4	Screw-HWH
14	3296-39	2	Nut-Lock, NI	28	3234-17	2	Screw-HHF
15	112-2695	1	Spring-Leaf				



Loader Tower and Drive Assembly

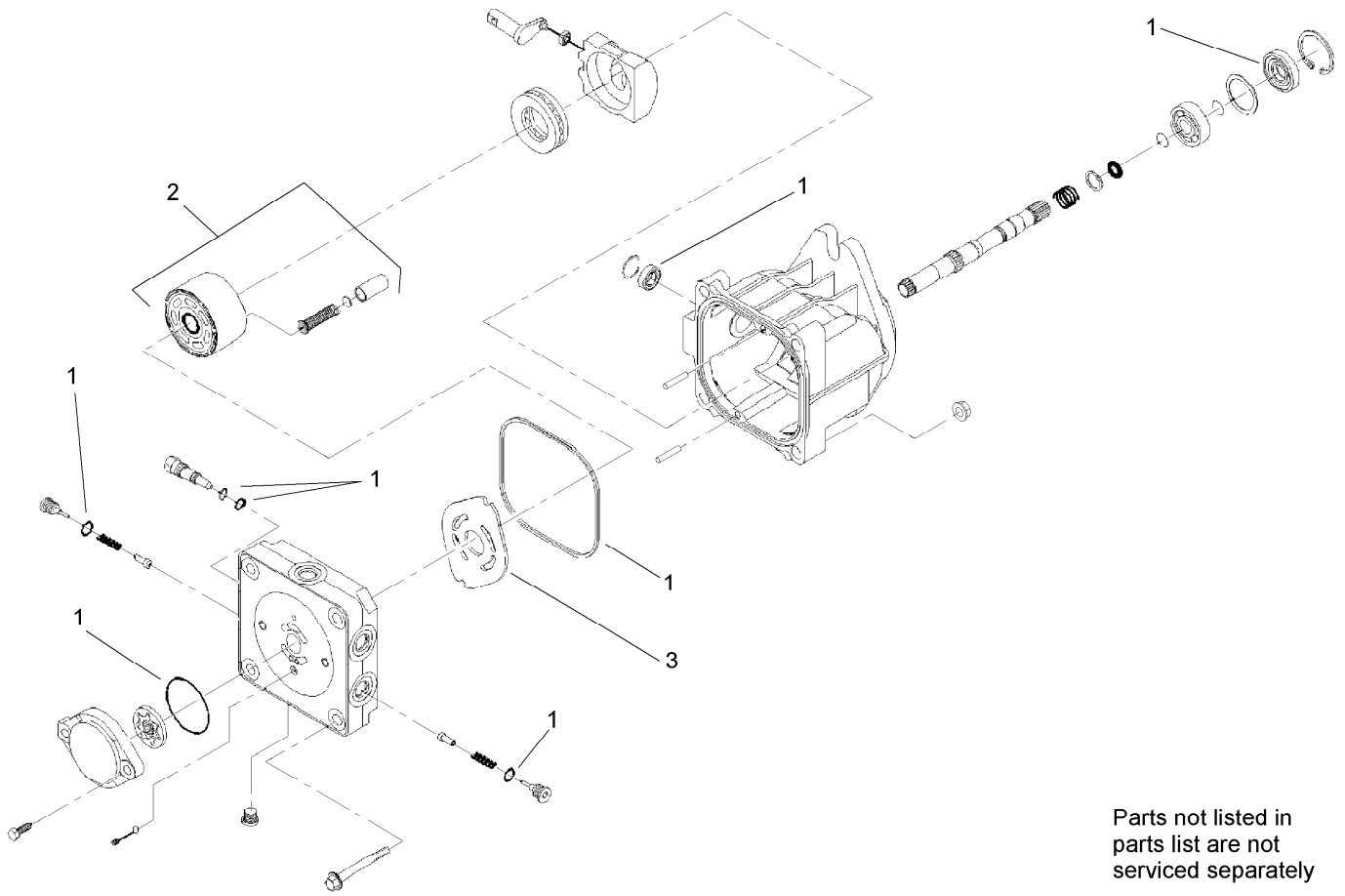
<i>Ref.</i>	<i>Part Number</i>	<i>Qty.</i>	<i>Description</i>
1	115-0759	1	Loader Tower ASM
1:2	108-4658	1	Decal-Panel, Control
1:3	80-8040	1	Decal-Warning
4	3296-39	3	Nut-Lock, NI
5	3296-29	1	Nut-Lock, NI
6	100-6123-01	2	Plate-Stiffener
7	32128-52	10	Nut-Lock, Flange
8	100-6116	10	Screw-HHF
9	3231-26	1	Screw-CARR
10	104-5739	1	Spacer-Mounting
11	99-6167	1	Idler Arm ASM
11:2	256-132	2	Bushing-Flange
12	3256-68	1	Washer-Flat
13	322-13	1	Screw-HH

<i>Ref.</i>	<i>Part Number</i>	<i>Qty.</i>	<i>Description</i>
14	95-3707	1	Pulley-Idler
15	61-3340	1	Bushing
15:1	321-13	3	Screw-HH
15:2	3253-2	3	Washer-Lock
17	67-7490	1	Key-Square
18	61-3330	1	Pulley
19	95-3611	1	V-Belt
20	3296-38	2	Nut-Lock, NI
21	3256-25	2	Washer-Flat
22	106-5710-03	2	Pulley
23	105-0383	1	Spring-Extension
25	100-1271	2	Tube-Spacer
26	323-23	2	Screw-HH
27	3-6168	2	Key



Traction Hydraulic Assembly

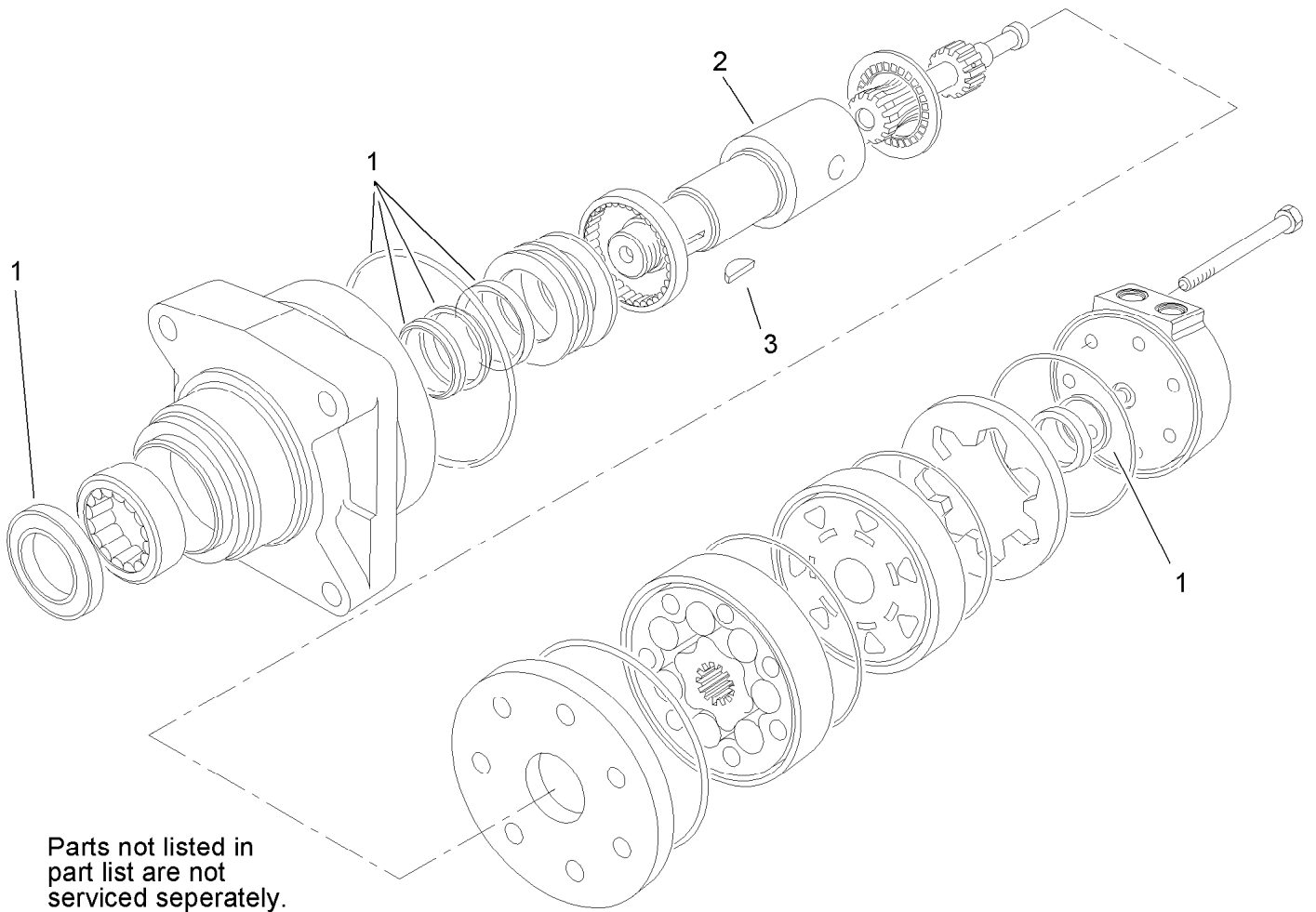
Ref.	Part Number	Qty.	Description	Ref.	Part Number	Qty.	Description
1	108-4665	1	HYD Tube ASM	17:1	237-65	1	O-Ring
1:1	237-30	1	O-Ring	17:2	237-80	1	O-Ring
2	98-0200	1	Tube-HYD	18	114-1756	2	HYD Motor ASM
3	340-157	1	Fitting-HYD, Tee	19	3253-7	8	Washer-Lock
3:1	237-79	1	O-Ring	20	325-12	8	Screw-HH
3:2	237-30	2	O-Ring	21	354-120	1	Fitting-Elbow, 90
4	106-9330	1	Tube-HYD	21:1	237-79	1	O-Ring
5	340-109	1	Fitting-Tee	22	106-5709	1	Hose-Vent
5:1	237-79	1	O-Ring	23	323-4	1	Screw-HH
5:2	237-30	2	O-Ring	24	3296-39	1	Nut-Lock, NI
6	340-98	2	Fitting-Elbow, 90 DEG	25	2412-4	1	Clamp-R
6:1	237-79	1	O-Ring	26	2412-36	2	Clamp-Hose
6:2	237-30	1	O-Ring	27	92-8020	1	Adapter-Breather
7	98-0233	2	Hose-HYD	28	68-6150	1	Breather
8	98-0201	1	Hose-HYD	29	98-2763-03	2	Plate-Mounting
9	98-0235	1	HYD Hose ASM	30	340-101	1	Fitting-HYD, 45 DEG
10	98-0177	1	HYD Hose ASM	30:1	237-30	1	O-Ring
11	32128-23	4	Nut-HF	30:2	237-79	1	O-Ring
12	106-5706	1	RH HYD Pump ASM	31	104-3795	1	Fitting-Tee
13	106-5705	1	LH HYD Pump ASM	31:1	340-65	2	O-Ring
14	3334-945	1	Tie-Cable	31:2	237-146	1	O-Ring
15	99-6160	2	Fitting-Elbow, 90 Long	32	105-0226	1	Tube-HYD
15:1	237-30	1	O-Ring	33	325-6	4	Screw-HH
15:2	237-79	1	O-Ring	34	99-6161	1	HYD Check Valve ASM
16	340-155	2	Fitting-Straight	34:1	237-58	2	O-Ring
16:1	237-79	1	O-Ring	35	108-4666	1	Tube-HYD
16:2	237-151	1	O-Ring	38	106-9332	1	HYD Tube ASM
17	340-7	4	Fitting-Straight				



Parts not listed in parts list are not serviced separately

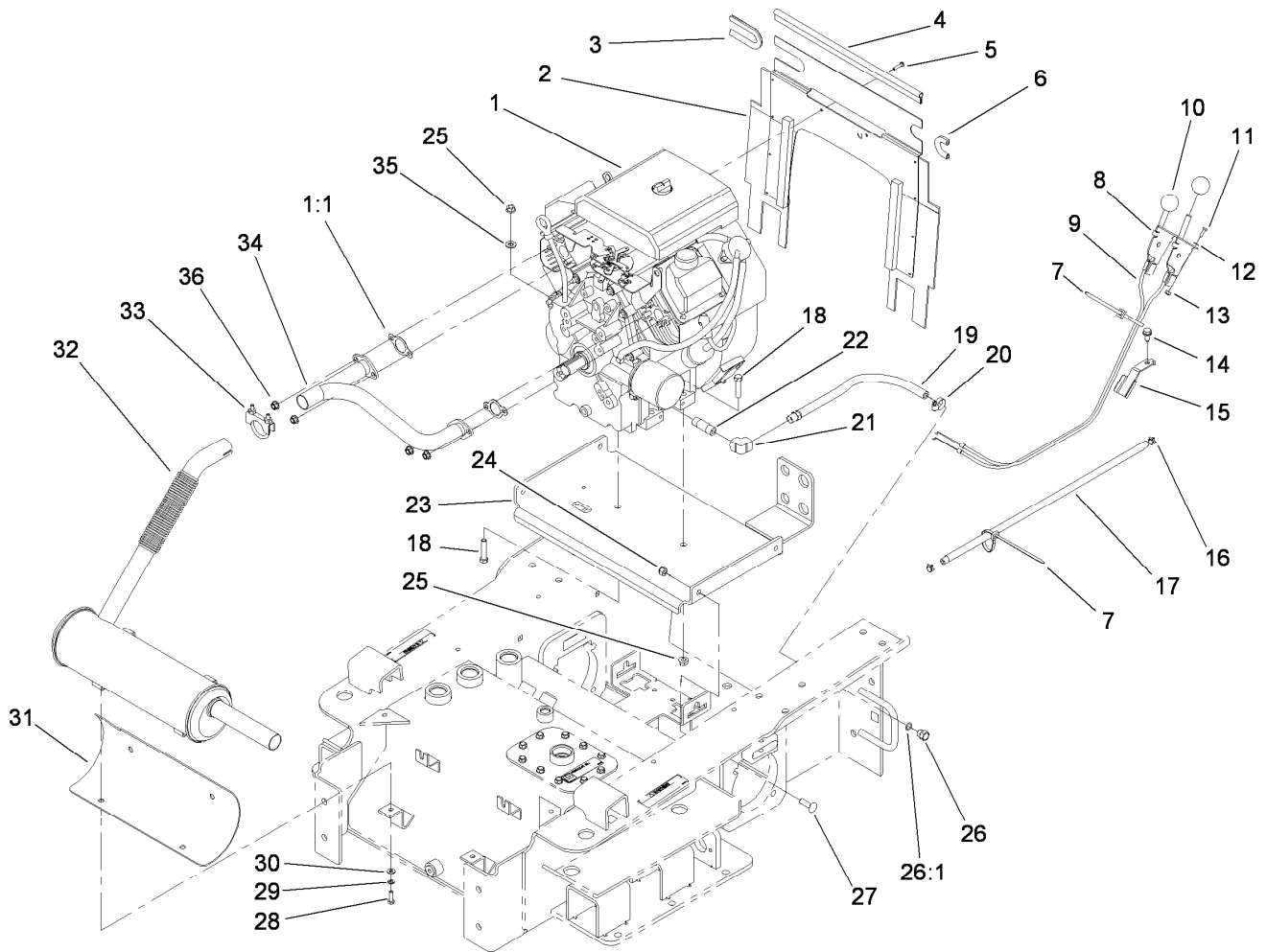
Hydraulic Pump Assembly No. 106-5705 and 106-5706

<i>Ref.</i>	<i>Part Number</i>	<i>Qty.</i>	<i>Description</i>
1	100-6110	1	Overhaul Seal Kit
2	94-1913	1	Cylinder Block ASM
3	100-6112	1	Plate-Valve



Hydraulic Motor Assembly No. 114-1756

<i>Ref.</i>	<i>Part Number</i>	<i>Qty.</i>	<i>Description</i>
1	100-6131	1	Seal Kit
2	106-7645	1	Coupling-Shaft
3	3257-42	1	Key-Woodruff

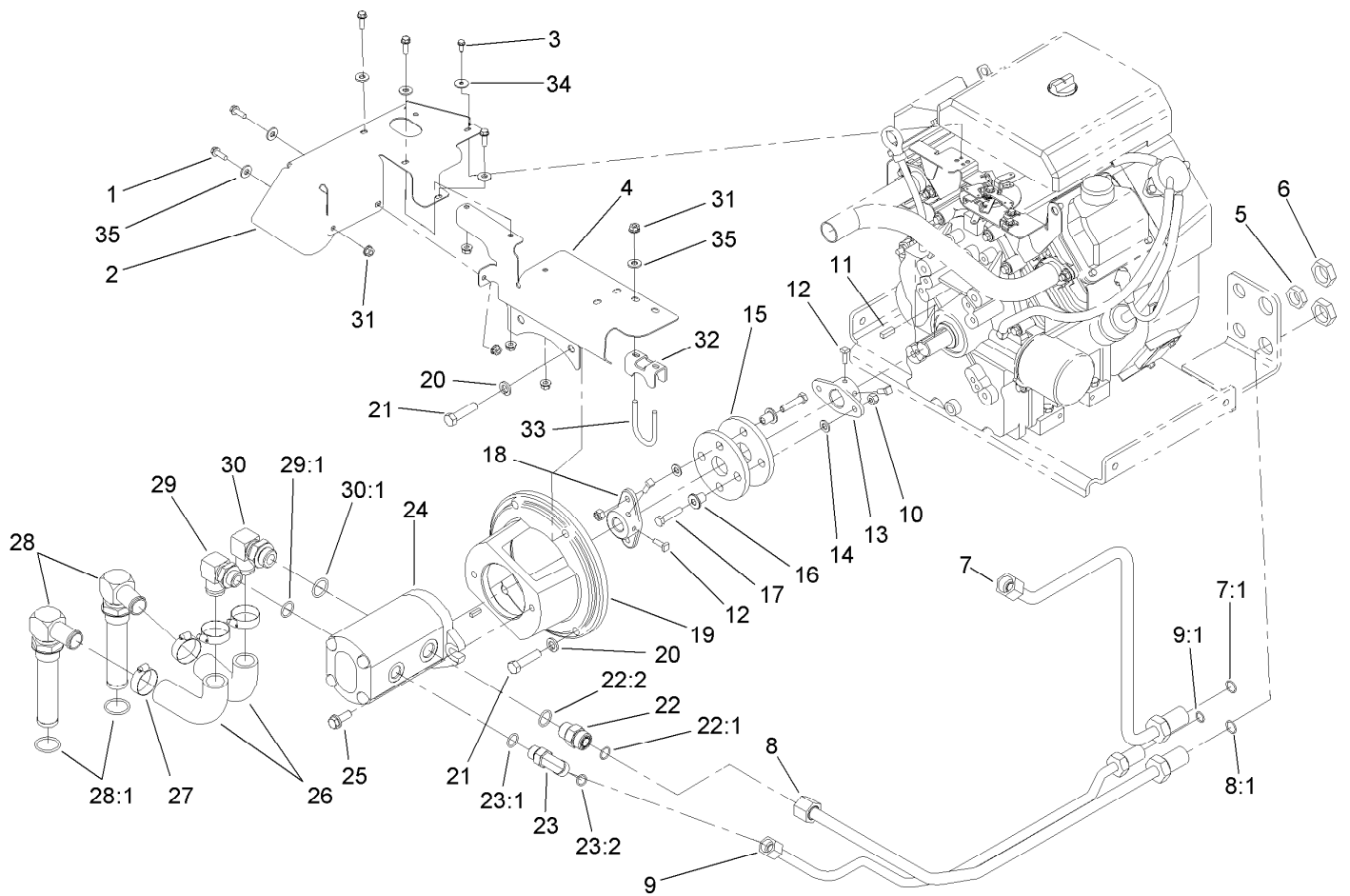


Engine and Mount Assembly

Ref.	Part Number	Qty.	Description	Ref.	Part Number	Qty.	Description
1		1	Engine-Kohler, Ch730-0162 ■●	19	100-1256	1	Oil Hose ASM
1:1	93-0350	2	Gasket-Exhaust	20	2412-36	1	Clamp-Hose
2	115-0723	1	Engine Baffle ASM	21	94-9650	1	Elbow-90 DEG
3	105-0378	1	Seal-Strip, 6.5 Inch	22	289-42	1	Nipple
4	106-5749	1	Seal-Strip, 16 Inch	23	114-1288-03	1	Plate-Mounting, Engine
5	32144-36	2	Screw-PPH	24	3296-39	4	Nut-Lock, NI
6	105-0377	1	Seal-Strip, 3 Inch	25	32128-21	4	Nut-HF Lock
7	3290-378	2	Tie-Cable	26	353-508	1	Plug-HH
8	108-9730	2	Lever-Control	26:1	237-42	1	O-Ring
9	108-4679	2	Cable-Throttle/Choke	27	3231-28	4	Screw-CARR
10	233-42	2	Knob	28	321-5	4	Screw-HH
11	3290-134	4	Screw	29	3253-3	4	Washer-Lock
12	3256-51	4	Washer-Flat	30	3256-78	4	Washer-Flat
13	3296-2	4	Nut-Lock, NI	31	98-2762	1	Shield-Heat, Muffler
14	32144-70	1	Screw-HWHTF	32	105-0249	1	Muffler
15	100-1299-03	1	Guide-Cable	33	2112-11	1	Clamp-Muffler
16	2412-98	2	Clamp-Hose	34	110-0150	1	Manifold-Crossover
17	109-0301	1	Hose-Fuel	35	48-9220	4	Washer-Flat
18	323-53	4	Screw-HH	36	112-2844	4	Nut-HF

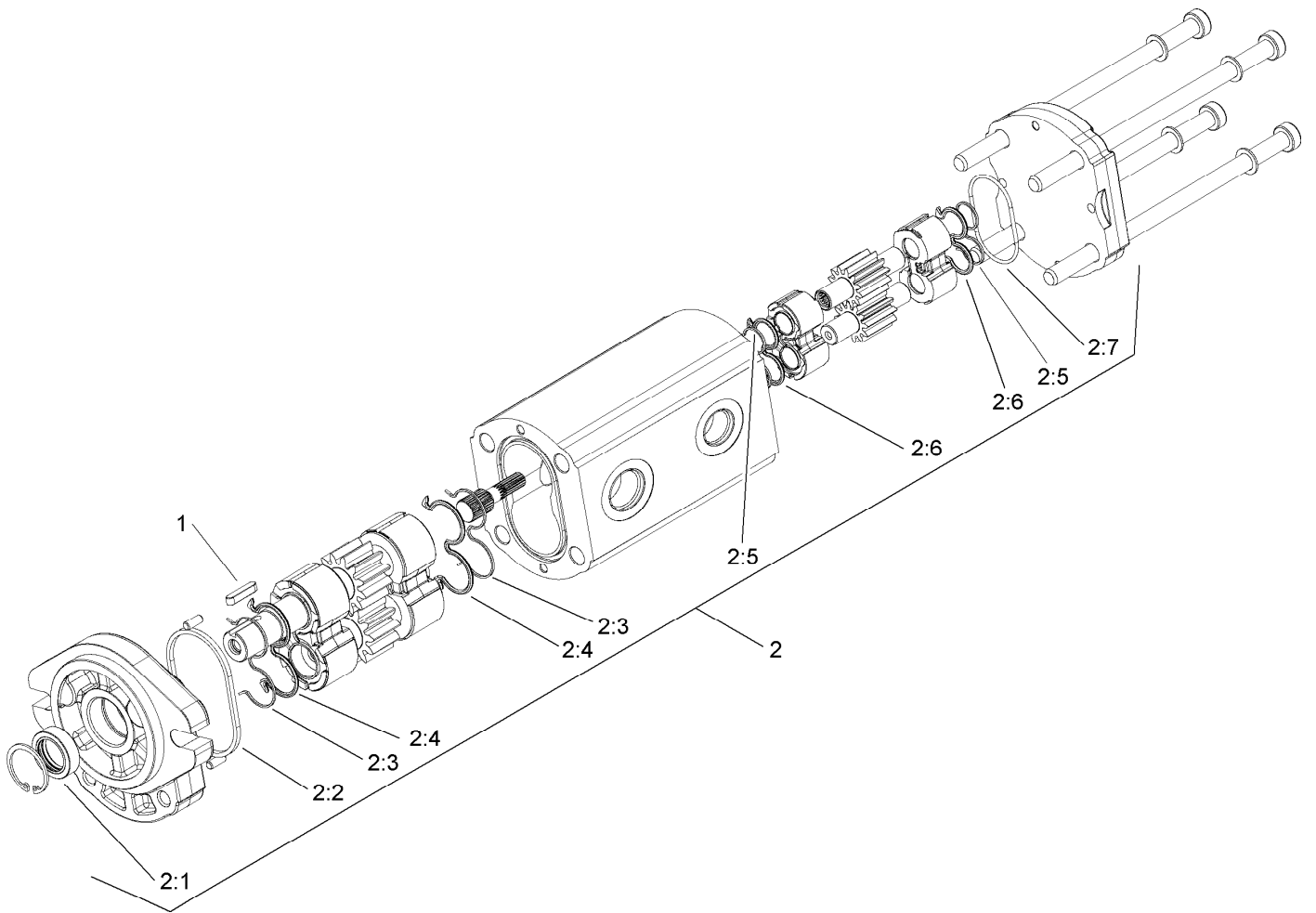
● Not serviced separately

■ Obtain parts from www.kohlerplus.com



Hydraulic Pump and Filter Assembly

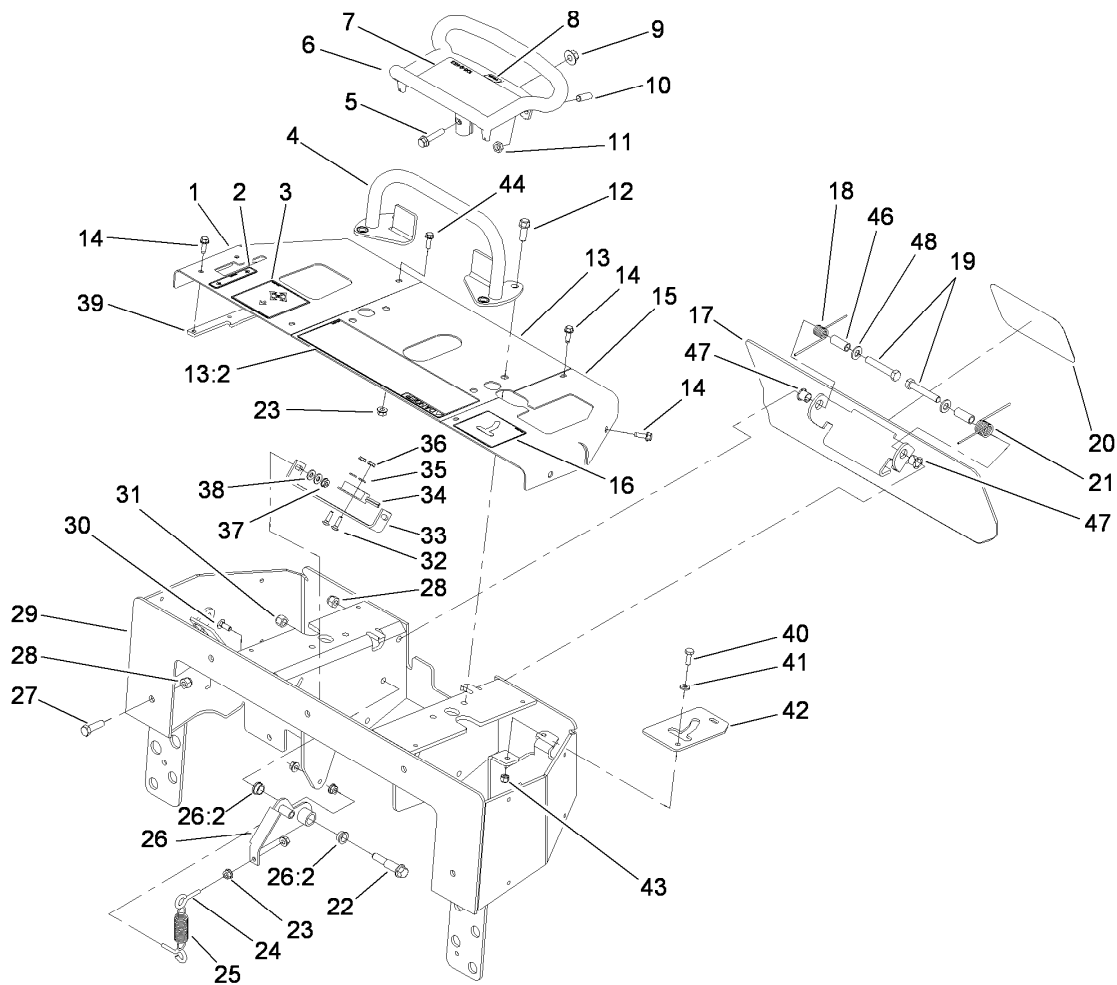
Ref.	Part Number	Qty.	Description	Ref.	Part Number	Qty.	Description
1	32105-15	5	Screw-HWH	21	324-7	4	Screw-HH
2	112-2667	1	Shield-Heat	22	340-7	1	Fitting-Straight
3	32144-112	1	Screw-HWH	22:1	237-65	1	O-Ring
4	112-2666	1	Shield-Heat	22:2	237-80	1	O-Ring
5	340-127	1	Nut-Bulkhead	23	340-98	1	Fitting-Elbow, 90 DEG
6	340-74	2	Nut-Lock, Bulkhead	23:1	237-79	1	O-Ring
7	106-9333	1	HYD Tube ASM	23:2	237-30	1	O-Ring
7:1	237-65	1	O-Ring	24	106-7650	1	HYD Pump ASM
8	98-2783	1	HYD Tube ASM	25	66-9300	2	Screw-HHF
8:1	237-65	1	O-Ring	26	105-0201	2	Hose-Suction, Formed
9	106-9393	1	HYD Tube ASM	27	2412-34	4	Clamp-Hose
9:1	237-30	1	O-Ring	28	105-0204	2	Strainer Fitting ASM
10	3296-29	4	Nut-Lock, NI	28:1	237-146	1	O-Ring
11	10-7070	1	Key-Square	29	61-2710	1	Stem-Hose, 90 DEG
12	3241-6	4	Screw-SQH	29:1	237-117	1	O-Ring
13	110-5236	1	Hub-Engine	30	100-4202	1	Fitting-90
14	3256-23	4	Washer-Plain	30:1	237-81	1	O-Ring
15	44-2230	2	Coupling-Rubber	31	32128-32	7	Nut-HHF
16	71-4411	4	Spacer	32	112-2688	1	Clamp-Pipe
17	322-8	4	Screw-HH	33	112-2689	1	U-Bolt
18	110-9695	1	Hub-Pump	34	3256-61	1	Washer-Flat
19	98-2751-03	1	Mount-Pump	35	3256-2	7	Washer-Flat
20	3253-6	4	Washer-Lock				



Hydraulic Gear Pump Assembly No. 106-7650

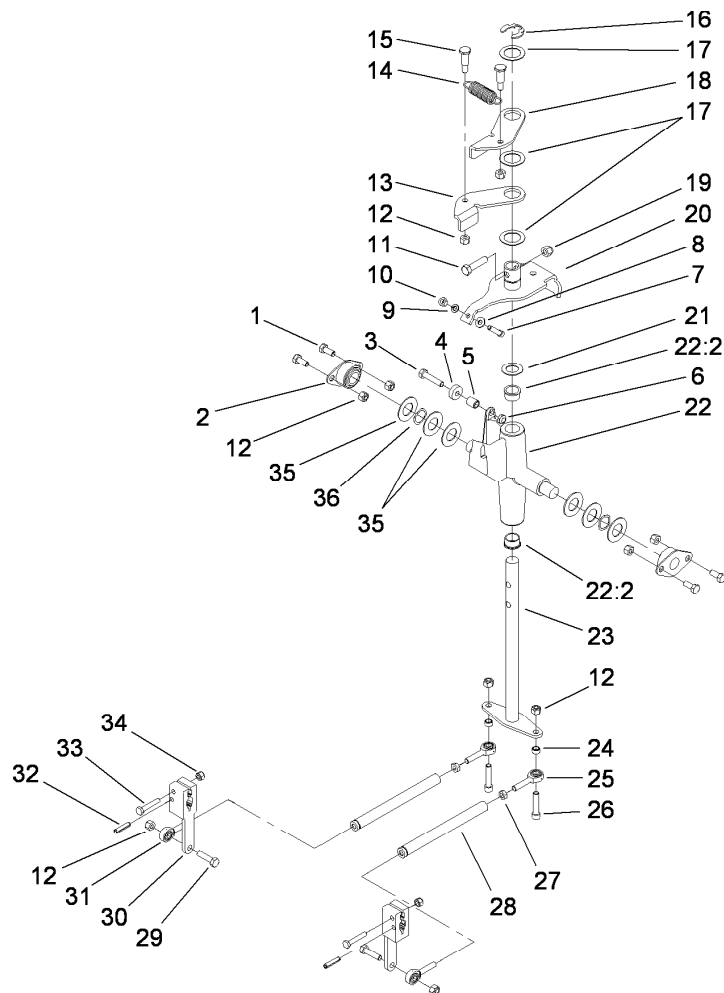
<i>Ref.</i>	<i>Part Number</i>	<i>Qty.</i>	<i>Description</i>
1	100-4238	1	Key-Square
2	107-9316	1	Seal Kit
2:1		1	Seal-Shaft ●
2:2		1	Seal-Square ●
2:3		2	Ring-Backup ●
2:4		2	Seal-Gear ●
2:5		2	Ring-Backup ●
2:6		2	Seal-Gear, Rear ●
2:7		1	O-Ring ●

● Not serviced separately



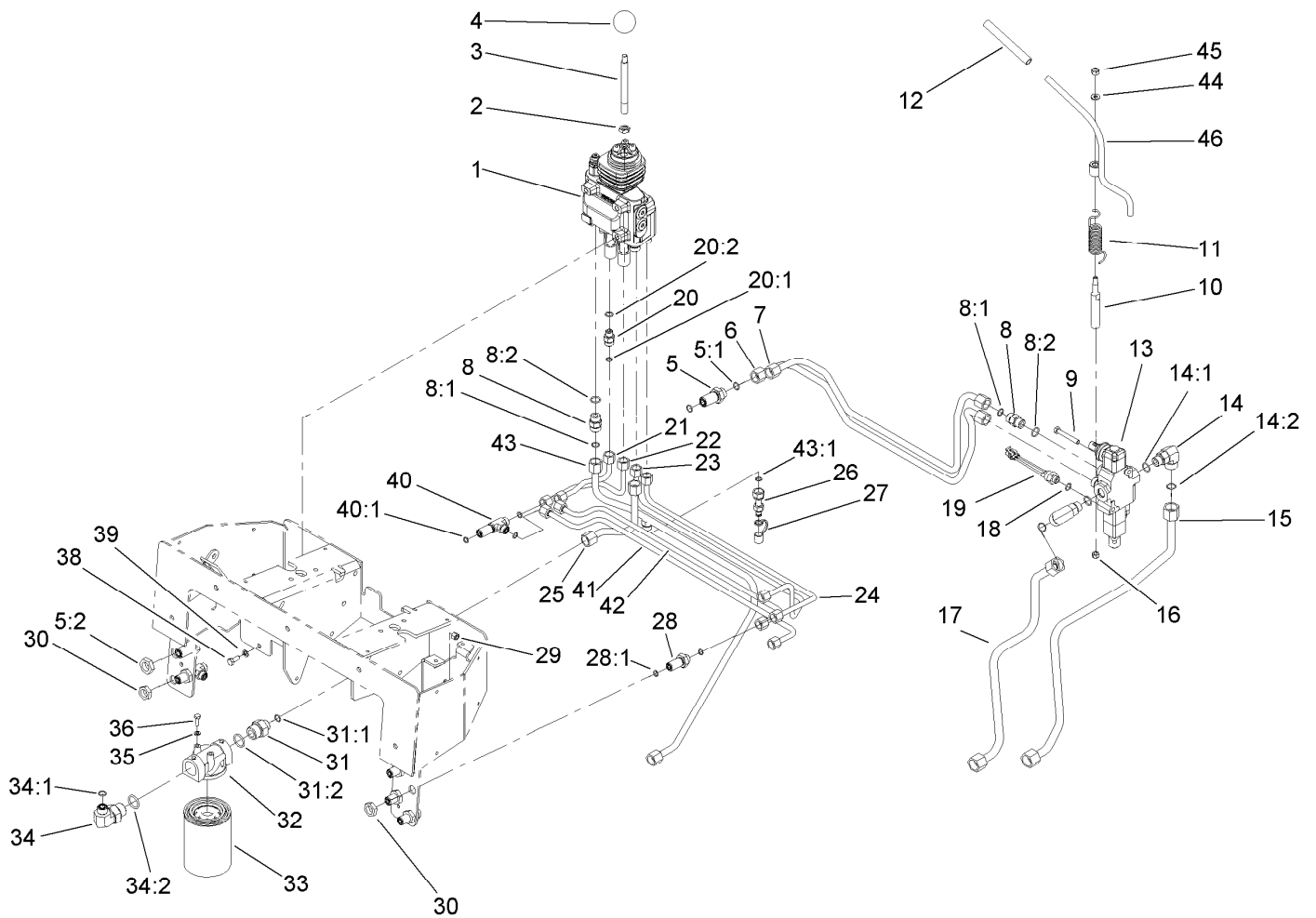
Control Panel Assembly

<i>Ref.</i>	<i>Part Number</i>	<i>Qty.</i>	<i>Description</i>	<i>Ref.</i>	<i>Part Number</i>	<i>Qty.</i>	<i>Description</i>
1	112-2690-01	1	Panel-RH	25	108-4724	1	Spring-Extension
2	108-4671	1	Decal-Brake	26	100-4203	1	Neutral Centering Lever ASM
3	108-4670	1	Decal-Loader	26:2	256-156	2	Bushing-Flange
4	106-7715	1	Bar-Reference	27	323-7	5	Screw-HH
5	3234-18	1	Screw-HHF	28	3296-39	7	Nut-Lock, NI
6	106-7614-03	1	Handle-Control	29	110-0228-01	1	Panel-Control
7	106-9453	1	Decal-Traction	30	3229-1	2	Screw-CARR
8	98-1459	1	Decal	31	3296-6	1	Nut-Lock
9	32128-43	1	Nut-Flange	32	3229-20	2	Screw-CARR
10	3247-6	2	Screw-Set	33	100-1263	1	Plate-Switch
11	3218-3	2	Nut-Jam	34	100-1270	1	Switch-Proximity
12	95-1726	4	Screw-Taptite	35	3256-51	2	Washer-Flat
13	108-4673	1	Center Panel ASM	36	32149-7	2	Nut-Keps
13:2	108-4674	1	Decal-Danger	37	32149-2	2	Nut-Keps
14	9266714	9	Screw-HWH	38	3256-22	4	Washer-Flat
15	112-2737-01	1	Panel-LH	39	112-2691-01	1	Plate-Locking, Brake
16	108-4686	1	Decal-Auxiliary	40	321-4	2	Screw-HH
17	112-2786-03	1	Plate-Reverse	41	3256-16	2	Washer-Flat
18	98-8425	1	Spring-Torsion, LH	42	112-2749-01	1	Plate-Stop
19	323-11	2	Screw-HH	43	3296-42	2	Nut-Lock, NI
20	105-1217	1	Decal	44	32105-15	1	Screw-HWH
21	98-8424	1	Spring-Torsion, RH	46	114-1337	2	Spacer-Spring
22	66-0560	1	Bolt-Shoulder	47	256-257	2	Bushing-Nyliner
23	32128-32	5	Nut-HHF	48	3256-24	2	Washer-Plain
24	71-2870	2	Bolt-Eye				



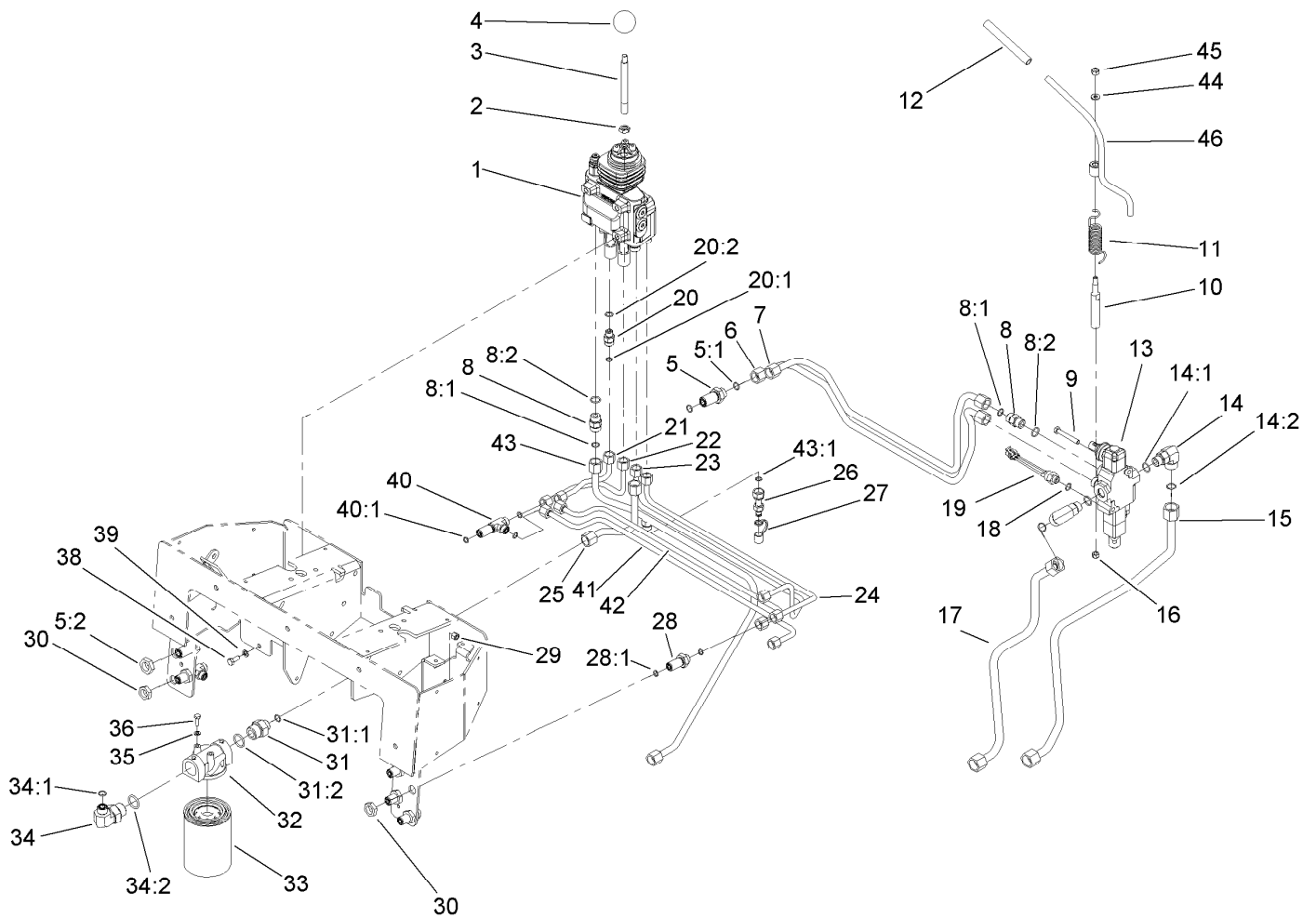
Traction Control Assembly

Ref.	Part Number	Qty.	Description	Ref.	Part Number	Qty.	Description
1	322-3	4	Screw-HH	20	112-2783	1	Lever-Pivot
2	68-2970	2	Bushing	21	257-8	1	Washer-Thrust
3	322-7	1	Screw-HH	22	106-5737	1	Control Support ASM
4	251-259	1	Bearing-Ball	22:2	256-252	2	Bearing-Flange
5	88-7450	1	Spacer-Lever, Control	23	106-5745	1	Drive Rod ASM
6	3296-47	1	Nut-Lock,NI	24	92-3133	2	Spacer-Lever, Traction
7	3274-51	1	Screw-HSH	25	2411-52	2	Bearing-Rod End, RH
8	3256-22	1	Washer-Flat	26	3274-83	2	Screw-HSH
9	3253-3	1	Washer-Lock	27	3220-2	2	Nut-Jam
10	3217-5	1	Nut-Hex	28	95-3711	2	Rod-Linkage
11	323-8	1	Screw-HH	29	322-6	2	Screw-HH
12	3296-29	10	Nut-Lock, NI	30	106-5739	2	Arm-Control, Pump
13	98-8407	1	Lever-Return, RH	31	2411-53	2	Bearing-Rod End, LH
14	108-4724	1	Spring-Extension	32	100-5440	2	Pin-Spring, Slotted
15	63-2650	2	Screw-Shoulder	33	321-9	2	Screw-HH
16	32151-91	1	Ring-Retaining	34	3296-42	2	Nut-Lock, NI
17	108-9743	3	Washer-Plain	35	3256-39	8	Washer-Flat
18	98-8408	1	Lever-Return, LH	36	95-3703	2	Washer-Spring, Wave
19	3296-39	1	Nut-Lock, NI				



Principal Hydraulic Assembly

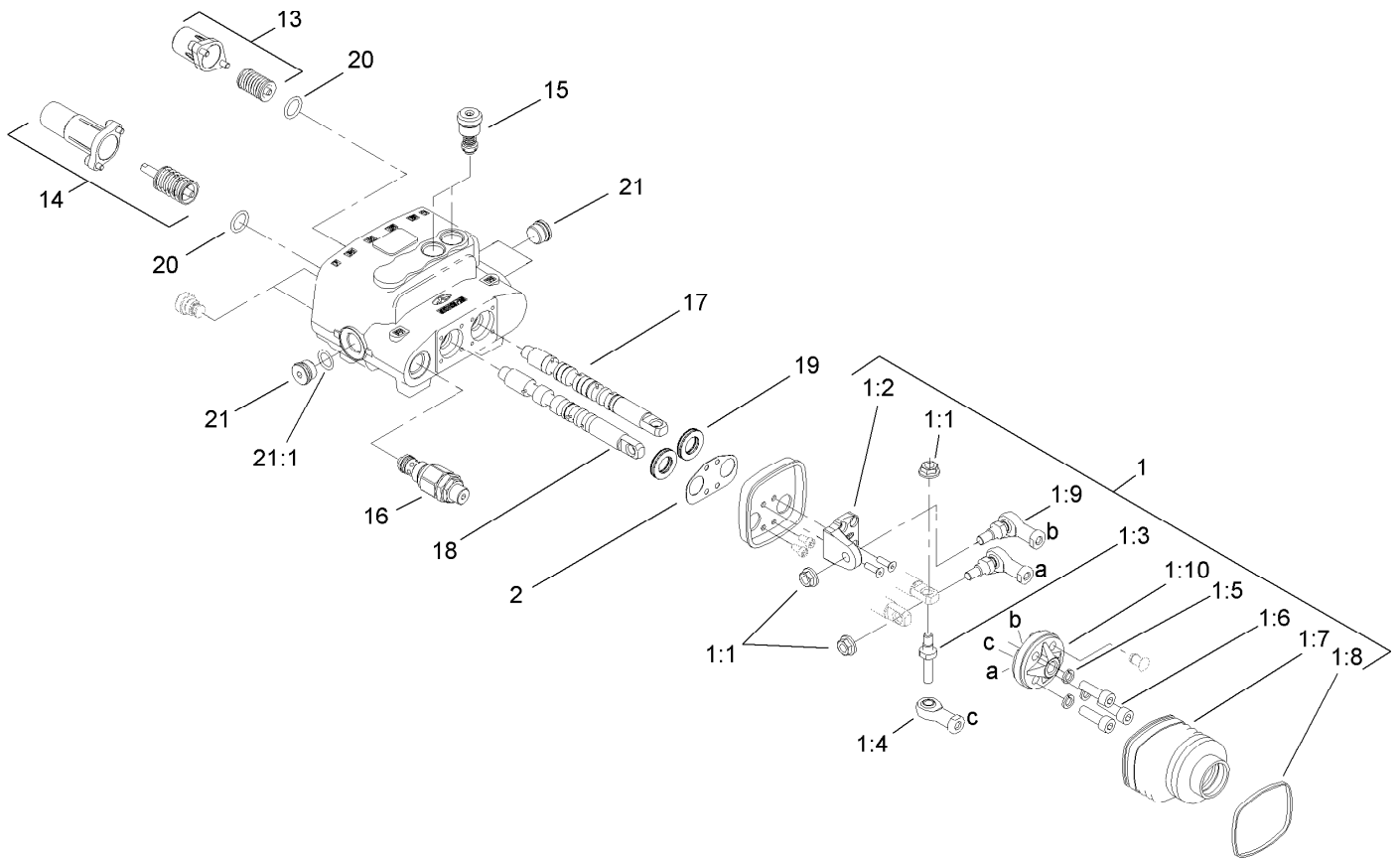
Ref.	Part Number	Qty.	Description	Ref.	Part Number	Qty.	Description
1	106-9307	1	2 Spool Valve ASM	20:2	237-42	1	O-Ring
2	51-2070	1	Nut	21	106-9315	1	Tube-HYD
3	108-4675	1	Shaft-Handle, Loader	22	106-9313	1	Tube-HYD
4	233-21	1	Knob	23	106-9312	1	Tube-HYD
5	340-161	2	Fitting-Bulkhead	24	106-9314	1	Tube-HYD
5:1	237-30	2	O-Ring	25	106-9385	1	Tube-HYD
5:2	340-127	1	Nut-Bulkhead	26	86-5480	1	Nipple-Test
6	106-9310	1	Tube-HYD	27	354-79	1	Cap-Dust
7	106-9311	1	Tube-HYD	28	340-71	4	Fitting-Straight, Bulkhead
8	340-4	4	Fitting-Straight	28:1	237-22	2	O-Ring
8:1	237-30	1	O-Ring	29	3296-29	2	Nut-Lock, NI
8:2	237-79	1	O-Ring	30	340-70	6	Nut-Lock
9	322-11	2	Screw-HH	31	100-4240	1	Fitting-STR
10	104-2827	1	Spacer-Hiflo	31:1	237-30	1	O-Ring
11	112-2738	1	Spring-Torsion	31:2	237-81	1	O-Ring
12	112-2605	1	Grip-Rubber	32	92-5821	1	Head-Filter
13	104-2831	1	1 Spool Valve ASM	33	86-3010	2	Filter-Oil
14	340-153	2	Fitting-Elbow, 90 DEG	34	340-131	1	Fitting-HYD, 90 DEG
14:1	237-79	1	O-Ring	34:1	237-30	1	O-Ring
14:2	237-151	1	O-Ring	34:2	237-81	1	O-Ring
15	106-9309	1	Tube-HYD	35	3253-3	2	Washer-Lock
16	48-7740	1	Screw	36	321-4	2	Screw-HH
17	104-5707	1	Tube-HYD	38	322-3	3	Screw-HH
18	237-42	1	O-Ring	39	3253-4	3	Washer-Lock
19	72-4310	1	Switch-Ball	40	340-68	2	Fitting-Tee, Bulkhead
20	340-2	4	Fitting-Straight	40:1	237-22	3	O-Ring
20:1	237-22	1	O-Ring	41	106-9316	1	Tube-HYD
				42	106-9317	1	Tube-HYD



Principal Hydraulic Assembly (continued)

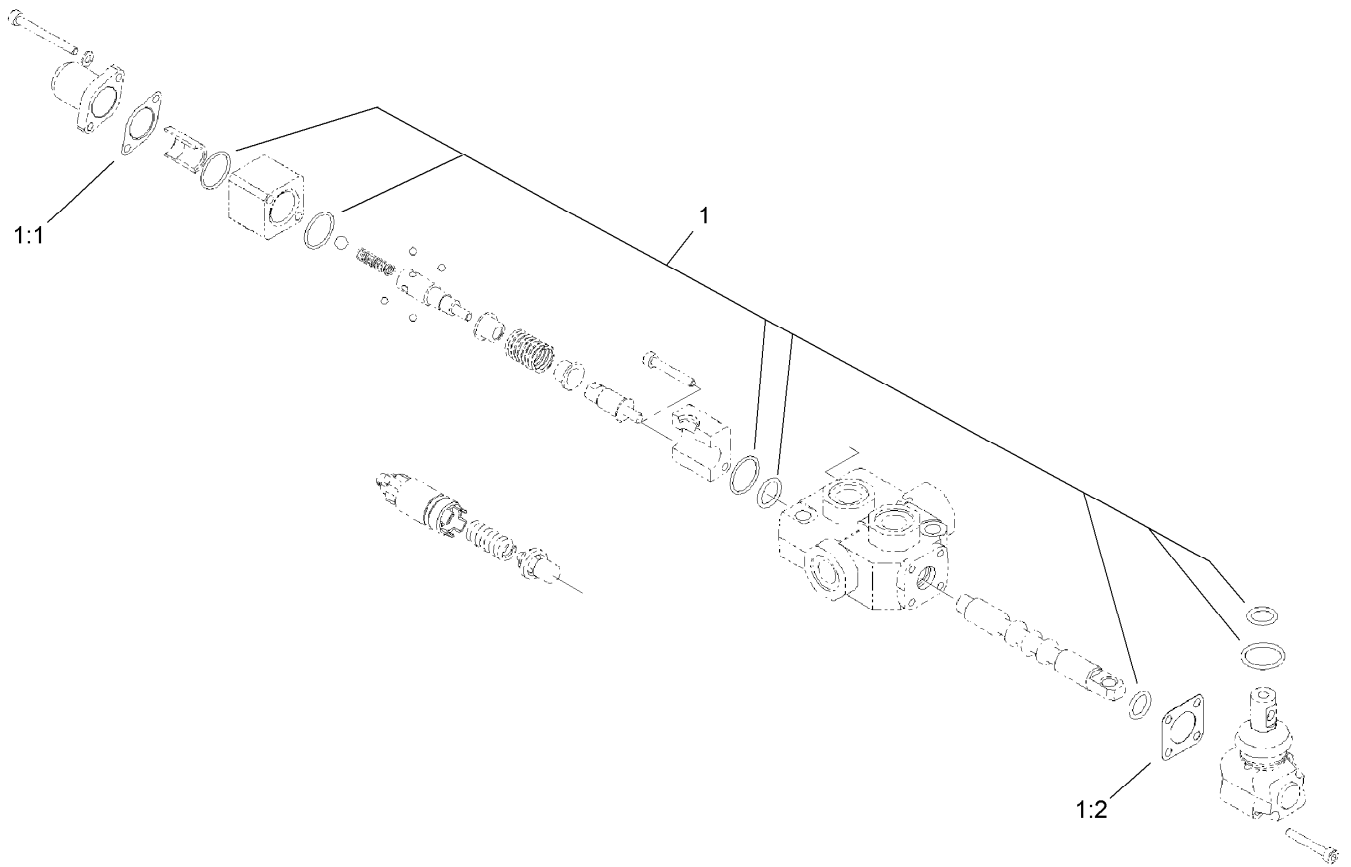
<i>Ref.</i>	<i>Part Number</i>	<i>Qty.</i>	<i>Description</i>
43	106-9387	1	HYD Tube ASM
43:1	237-22	1	O-Ring
44	3256-16	1	Washer-Flat

<i>Ref.</i>	<i>Part Number</i>	<i>Qty.</i>	<i>Description</i>
45	3296-42	1	Nut-Lock, NI
46	112-2739	1	Lever-Auxiliary



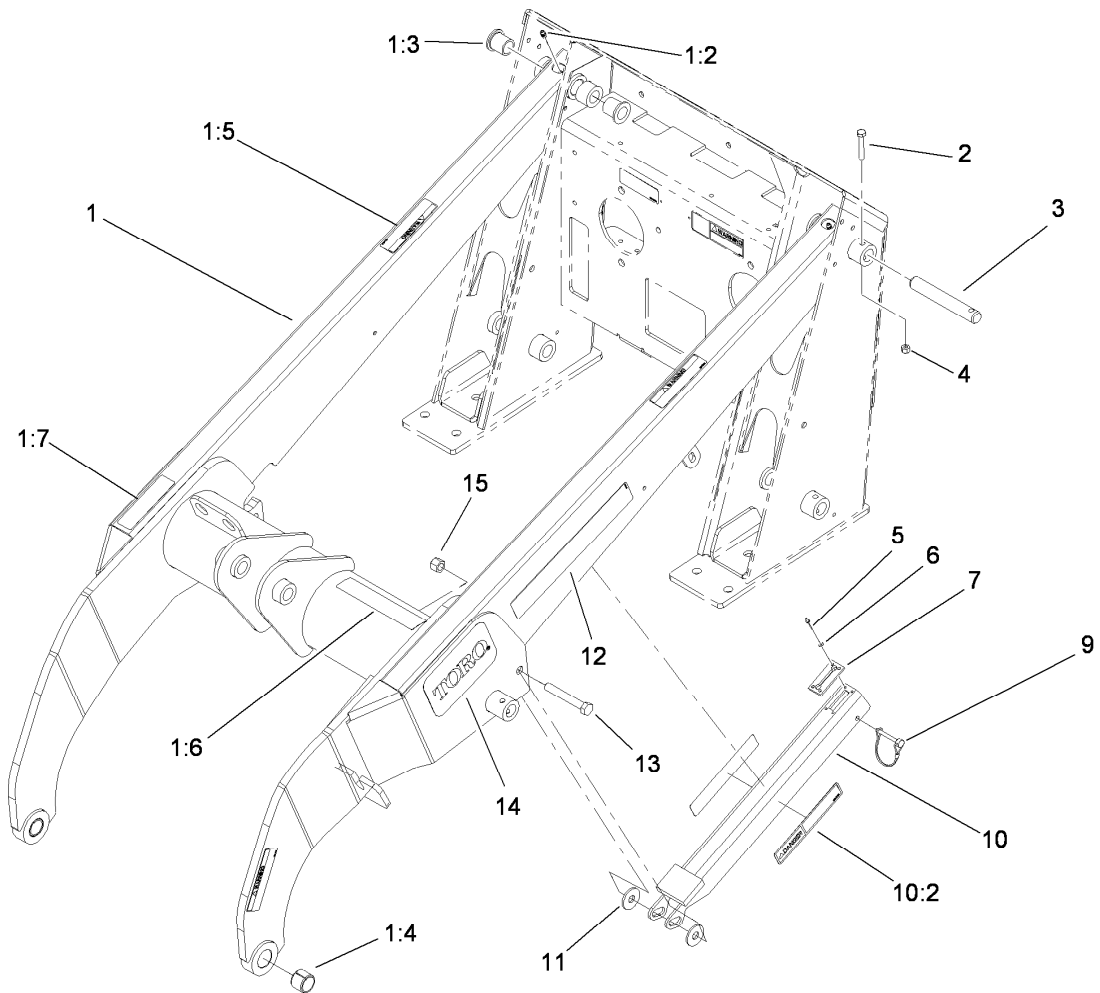
Two Spool Valve Assembly No. 106-9307

<i>Ref.</i>	<i>Part Number</i>	<i>Qty.</i>	<i>Description</i>
1	106-7724	1	Joystick Kit
1:1	98-0668	3	Nut
1:2	106-7726	1	Pivot-Joystick
1:3	106-7727	1	Pin-Joystick
1:4	106-7728	1	End-Rod
1:5	42-9850	3	Washer-Lock, Spring
1:6	98-5828	3	Screw-HSH
1:7	106-7729	1	Bellow-Rubber
1:8	3290-379	1	Tie-Cable
1:9	106-7730	2	Joint-Joystick
1:10	106-7731	1	Holder-Articulated
2	106-7725	1	Seal-Joystick
13	106-7732	1	Valve Spring Kit
14	106-7733	1	Detent Spring Kit
15	106-7734	2	Valve-Relief
16	106-7735	1	Valve-Relief, Main
17	106-7736	1	Spool-Valve
18	106-7737	1	Spool-Valve
19	106-7738	2	Seal-Valve, Spool
20	106-7719	2	Seal-Valve
21	353-988	3	Plug-Hex
21:1	237-79	1	O-Ring



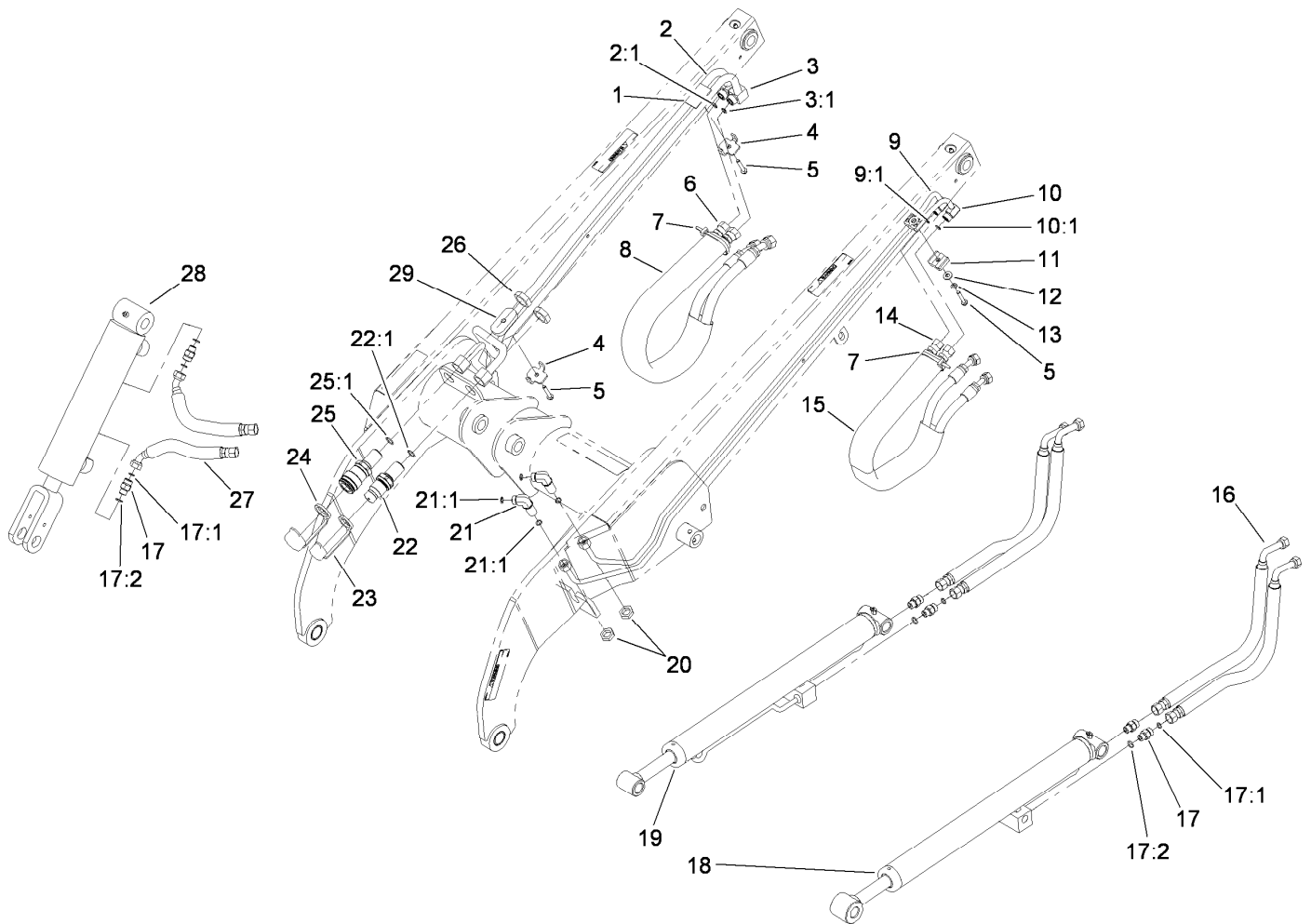
One Spool Valve Assembly No. 104-2831

<i>Ref.</i>	<i>Part Number</i>	<i>Qty.</i>	<i>Description</i>
1	99-4391	1	Seal Kit
1:1	99-3074	1	Gasket
1:2	99-3075	3	Gasket



Loader Arm Assembly

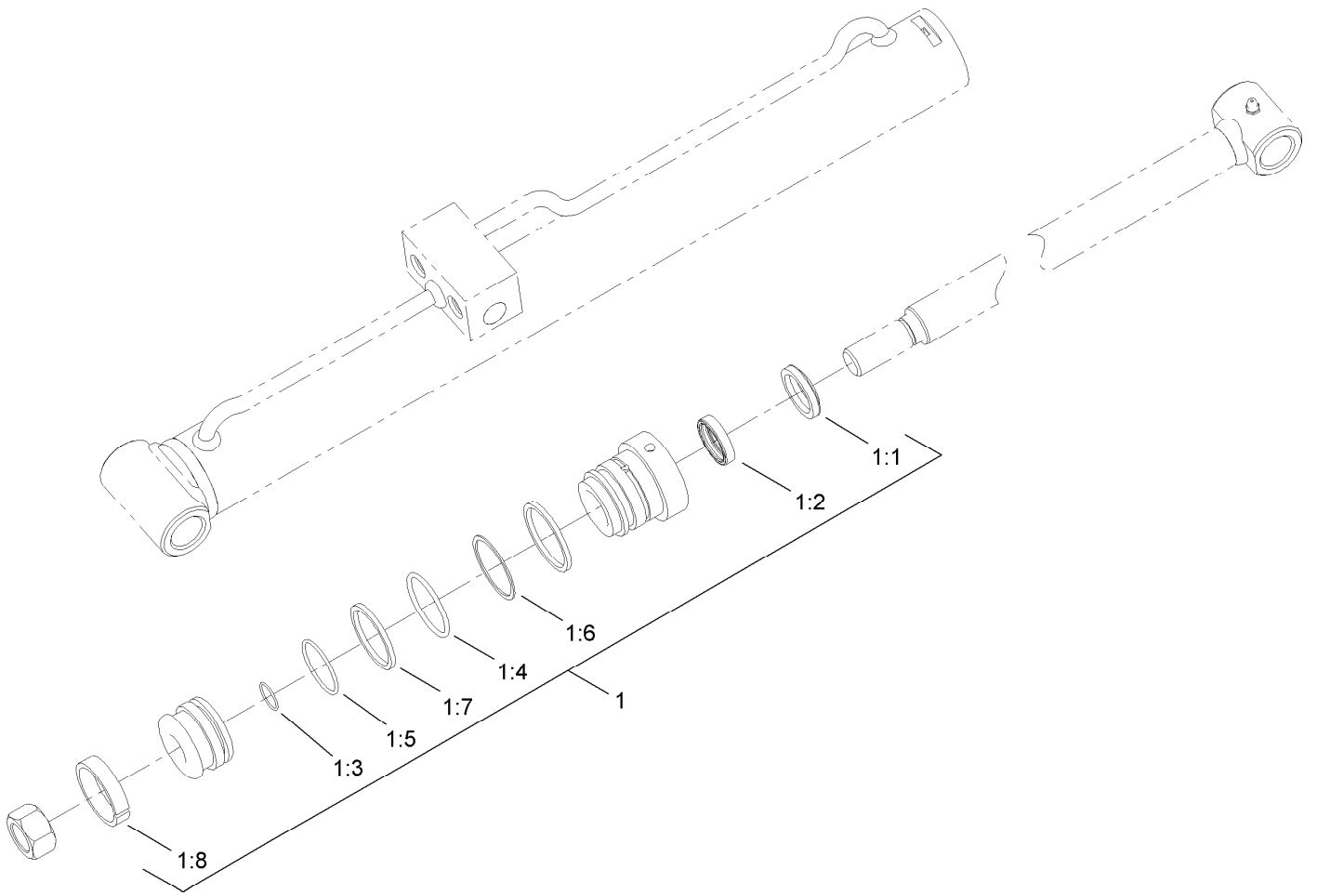
<i>Ref.</i>	<i>Part Number</i>	<i>Qty.</i>	<i>Description</i>
1	106-9350	1	Loader Arm ASM
1:2	302-5	2	Fitting-Grease
1:3	95-3577	4	Bushing
1:4	98-4871	2	Bushing-Tension
1:5	100-6141	4	Decal-Pinch
1:6	100-6132	1	Decal-Caution
1:7	100-6101	1	Decal-Caution
2	322-10	7	Screw-HH
3	104-2849	7	Pin-Locking
4	3296-29	7	Nut-Lock, NI
5	3269-8	4	Rivet-Blind
6	104-5112	4	Washer-Flat
7	98-0083	1	Stop-Rubber
9	112-2583	1	Pin-Locking
10	100-6105	1	Locking Arm ASM
10:2	100-6135	2	Decal-Danger
11	68-1440	2	Washer-Rubber
12	112-2843	2	Decal
13	325-14	1	Screw-HH
14	105-1217	2	Decal
15	3296-23	1	Nut-Lock, NI



Loader Arm Hydraulic Assembly

Ref.	Part Number	Qty.	Description	Ref.	Part Number	Qty.	Description
1	106-9366	1	Spacer-Hardline	17	340-2	6	Fitting-Straight
2	108-6319	1	HYD Tube ASM	17:1	237-22	1	O-Ring
2:1	237-22	1	O-Ring	17:2	237-42	1	O-Ring
3	112-2563	1	HYD Tube ASM	18	104-6267	1	LH Lift Cylinder ASM
3:1	237-22	1	O-Ring	19	104-6269	1	RH Lift Cylinder ASM
4	98-0237	2	Plate-Clamp, Tube	20	340-70	2	Nut-Lock
5	94-2691	3	Screw-HWH Taptite	21	340-154	2	Union-Bulkhead
6	98-0242	2	Hose-HYD	21:1	237-22	2	O-Ring
7	3290-378	2	Tie-Cable	22	105-8395	1	Bulkhead Nipple ASM
8	100-6128	1	Sleeve-Protective	22:1	237-65	1	O-Ring
9	106-9364	1	HYD Tube ASM	22:2	100-6120	1	Seal Kit ●
9:1	237-22	1	O-Ring	23	100-8815	1	Cap-Dust, Nipple
10	106-9365	1	HYD Tube ASM	24	100-8816	1	Cap-Dust, Coupler
10:1	237-22	1	O-Ring	25	105-8394	1	Bulkhead Coupler ASM
11	56-7973	2	Clamp-Tube	25:1	237-65	1	O-Ring
12	3256-2	1	Washer-Flat	26	340-74	2	Nut-Lock, Bulkhead
13	3253-3	1	Washer-Lock	27	98-0207	2	Hose-HYD
14	98-0213	2	Hose-HYD	28	105-8370	1	Tilt Cylinder ASM
15	100-6127	1	Sleeve-Protective	29	112-2565	1	Plate-Hardline
16	98-0216	4	Hose-HYD				

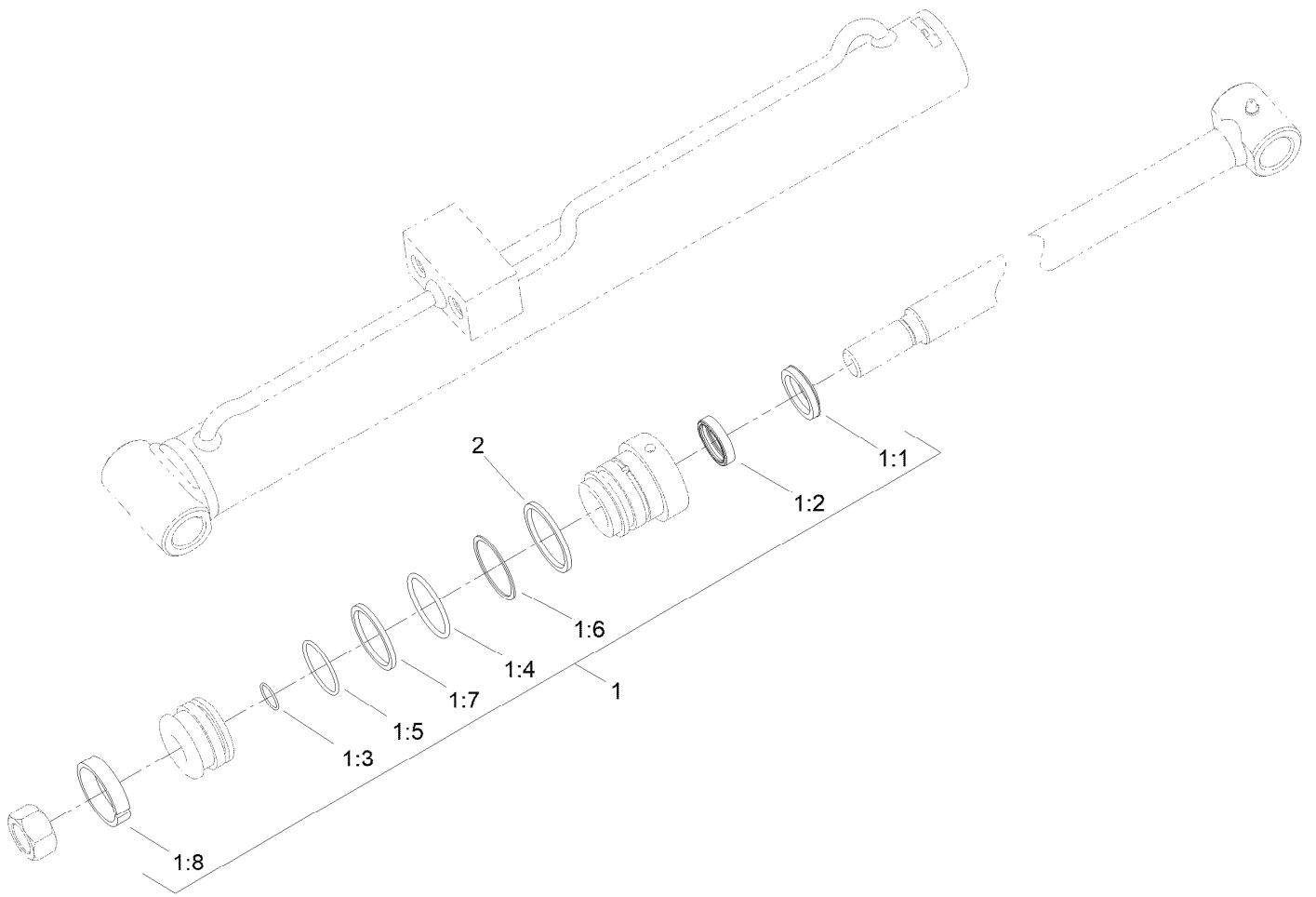
● Not illustrated



Left Hand Hydraulic Lift Cylinder Assembly No. 104-6267

<i>Ref.</i>	<i>Part Number</i>	<i>Qty.</i>	<i>Description</i>
1	104-6268	1	Seal Kit
1:1		1	Wiper ●
1:2		1	Seal ●
1:3		1	O-Ring ●
1:4		1	O-Ring ●
1:5		1	O-Ring ●
1:6		1	Back-Up ●
1:7		1	Seal ●
1:8		1	Wear Ring ●

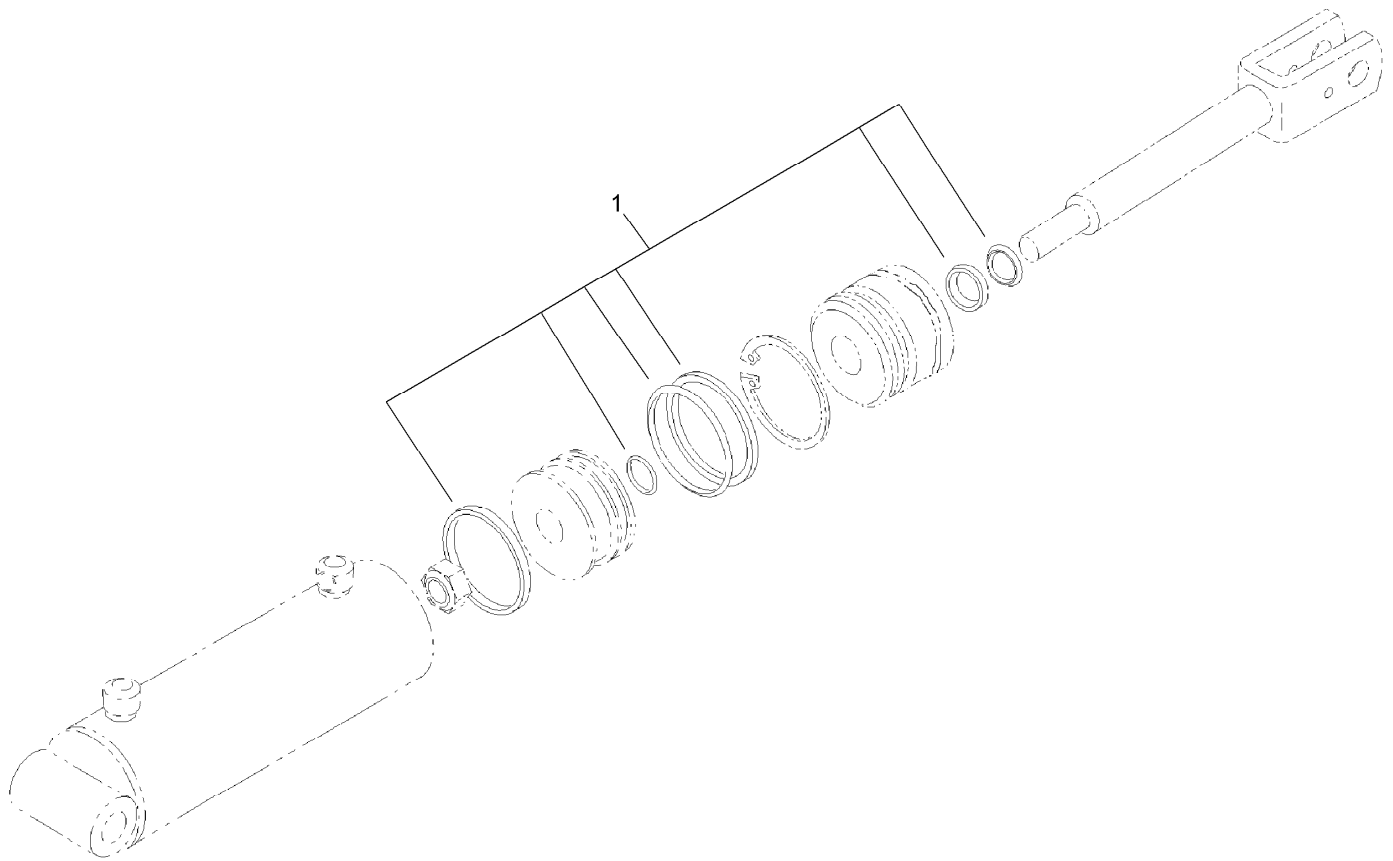
● Not serviced separately



Right Hand Hydraulic Lift Cylinder Assembly No. 104-6269

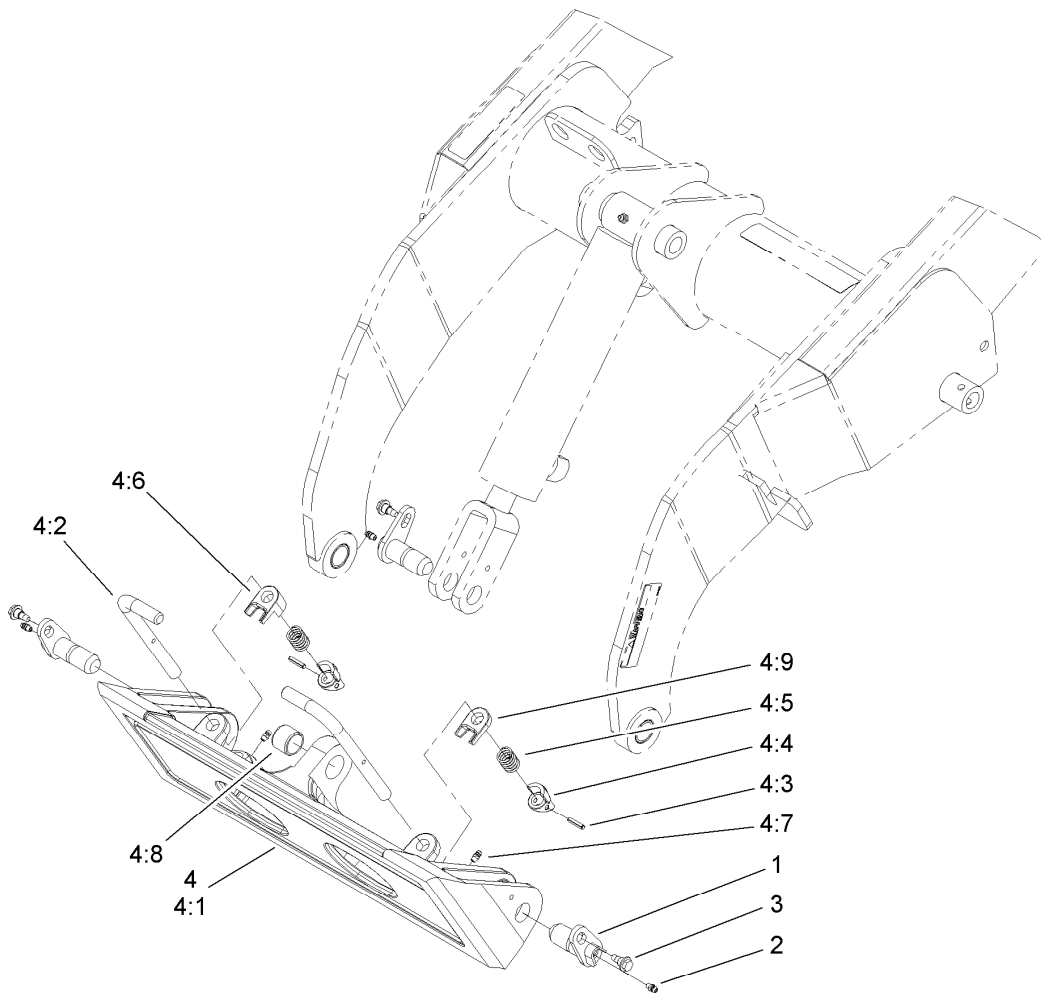
<i>Ref.</i>	<i>Part Number</i>	<i>Qty.</i>	<i>Description</i>
1	104-6268	1	Seal Kit
1:1		1	Wiper ●
1:2		1	Seal ASM ●
1:3		1	Seal-Dust ●
1:4		1	Seal-Dust ●
1:5		1	Seal-Dust ●
1:6		1	Back-Up ●
1:7		1	Seal ASM ●
1:8		1	Ring-Wear ●
2	161-7281	1	Ring - Retaining

● Not serviced separately



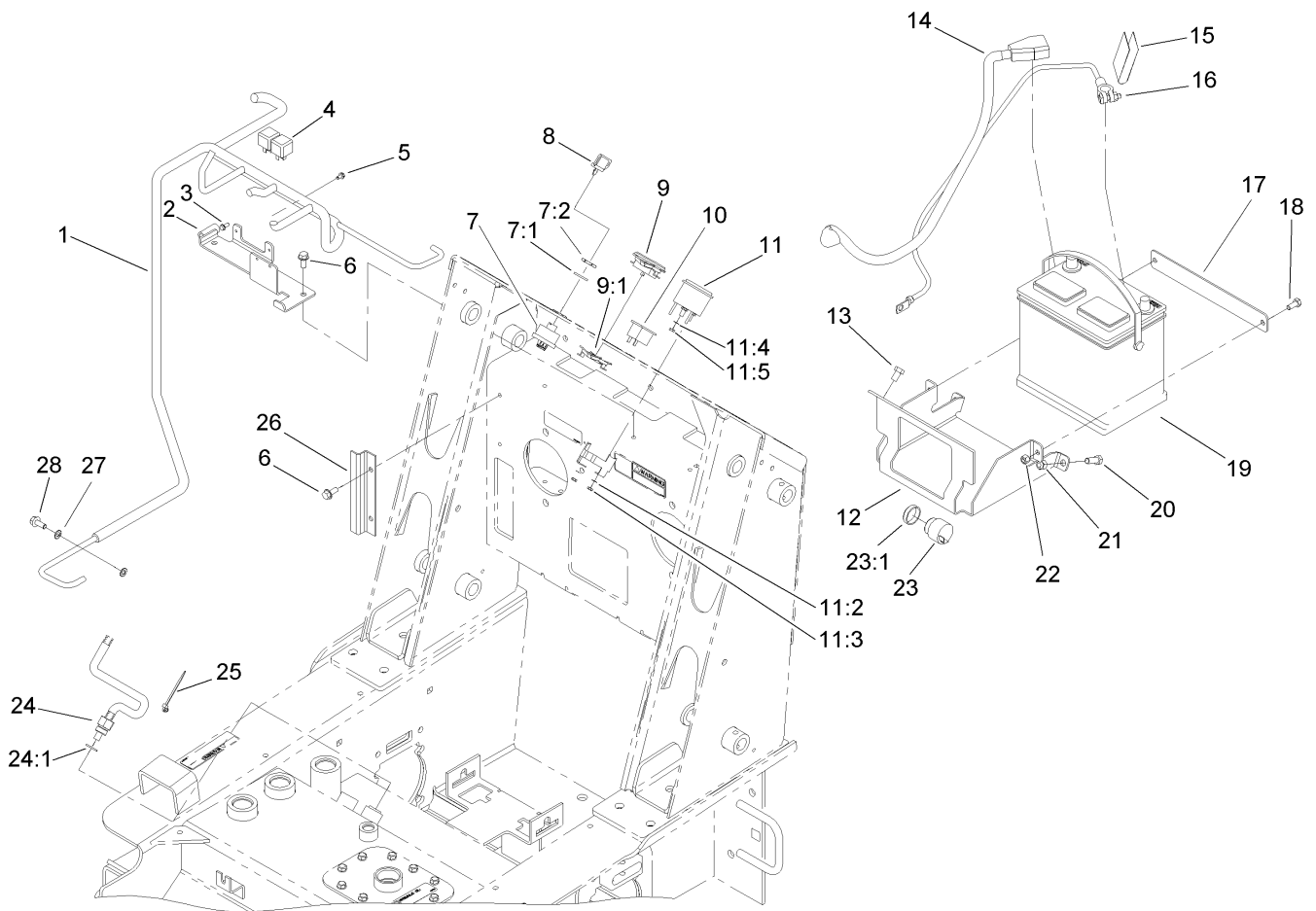
Hydraulic Cylinder Assembly No. 105-8370

<i>Ref.</i>	<i>Part Number</i>	<i>Qty.</i>	<i>Description</i>
1	106-7567	1	Seal Kit



Quick Attach Assembly

<i>Ref.</i>	<i>Part Number</i>	<i>Qty.</i>	<i>Description</i>
1	112-2609	3	Pin-Pivot
2	302-5	3	Fitting-Grease
3	99-5105	3	Screw-Shoulder
4	105-8364	1	Quick Attach ASM
4:1	105-0245-03	1	Mount-Attach, Quick
4:2	105-8367	2	Pin-Locking
4:3	3285-1	2	Pin-Grooved
4:4	105-0246	2	Cam
4:5	98-4694	2	Spring-Compression
4:6	104-5909	1	Stop-RH
4:7	302-5	2	Fitting-Grease
4:8	98-4871	1	Bushing-Tension
4:9	104-5903	1	Stop-LH

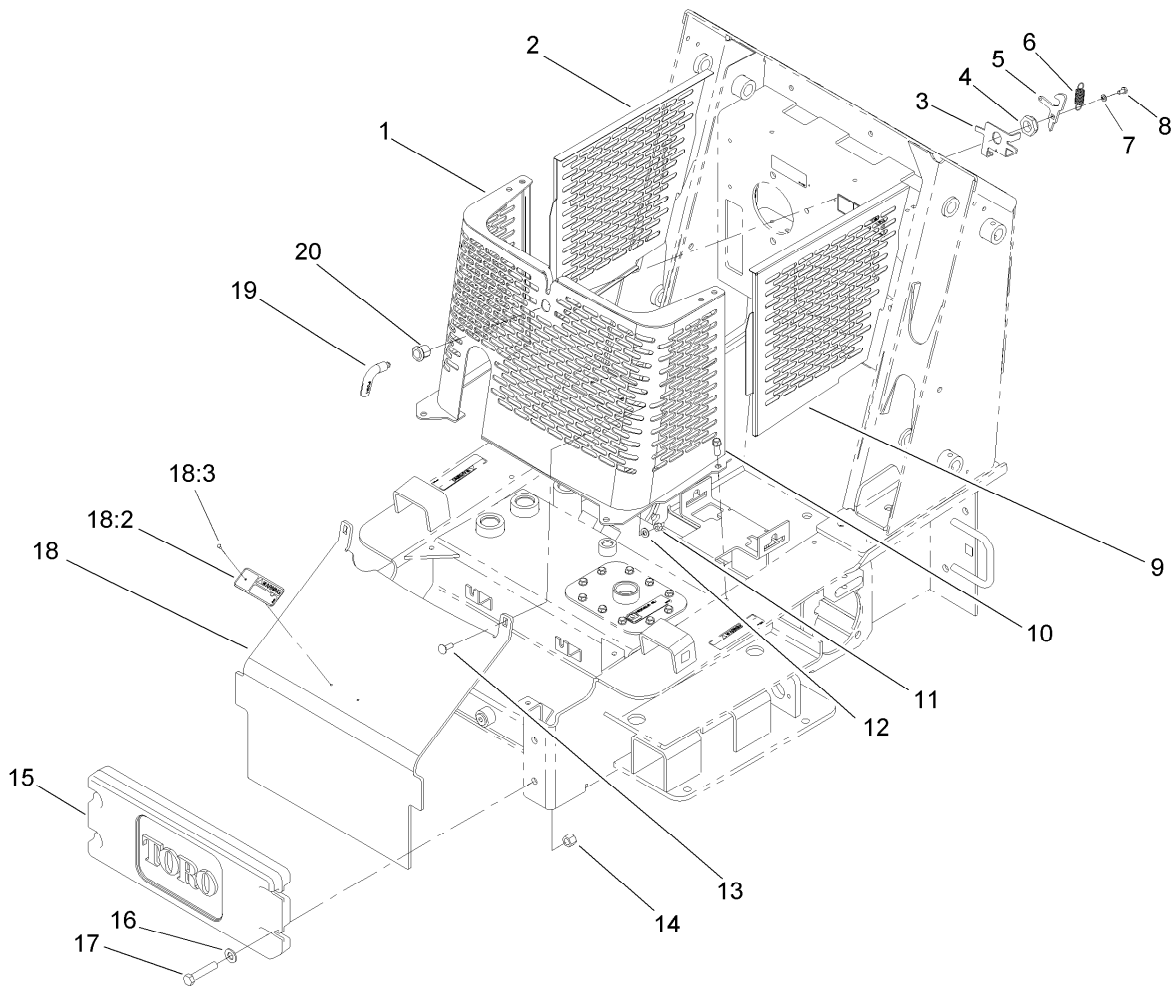


Electrical System Assembly

Ref.	Part Number	Qty.	Description	Ref.	Part Number	Qty.	Description
1	115-0732	1	Harness-Wire	11:5	3217-16	3	Nut-Hex
1:1	218-578	1	Fuse-Blade, 10 Amp ●	12	106-9390-01	1	Tray-Mounting, Battery
1:2	109102	1	Fuse-Blade, 25 Amp ●	13	32144-69	2	Screw-HWHTF
1:3	109103	1	Fuse-Blade, 30 Amp ●	14	106-5707	1	Cable-Battery, Positive
1:4	109355	1	Fuse-Blade, 15 Amp ●	15	107-9309	1	Decal-Instructions, Charging
2	106-2558-03	1	Fuse/Relay Bracket ASM	16	106-5708	1	Cable-Battery, Negative
3	32144-112	2	Screw-HWH	17	105-0371-01	1	Clamp-Battery
4	98-7249	2	Relay	18	322-3	2	Screw-HH
5	104-2065	2	Screw-HWH	19	104-9979	1	Battery
6	32144-70	4	Screw-HWHTF	20	323-6	2	Screw-HH
7	88-9830	1	Key Switch ASM	21	3296-39	2	Nut-Lock, NI
7:1	3254-5	1	Washer-Lock	22	3296-29	2	Nut-Lock, NI
7:2	218-461	1	Nut-HH	23	80-9330	1	Audio Alarm ASM
8	63-8360	3	Key-Ignition	23:1	104-5107	1	Nut-Plastic, Knurled
9	104-7427	1	Inductive Hourmeter ASM	24	98-2765	1	Switch-Temperature
9:1	104-4234	1	Clip-Mounting	24:1	237-79	1	O-Ring
10	104-2839	1	Light-Temp, Oil	25	3290-381	3	Tie-Cable
11	66-2940	1	Gauge-Fuel	26	100-6117-01	1	Shield-Wiring
11:1		1	Bracket-Mounting, Gauge ■	27	3255-8	2	Washer-Lock
11:2	3254-1	2	Washer-Lock, Int	28	33104-020	1	Screw-HHF
11:3	3217-27	2	Nut-Hex				
11:4	3255-24	3	Washer-Lock / EXT				

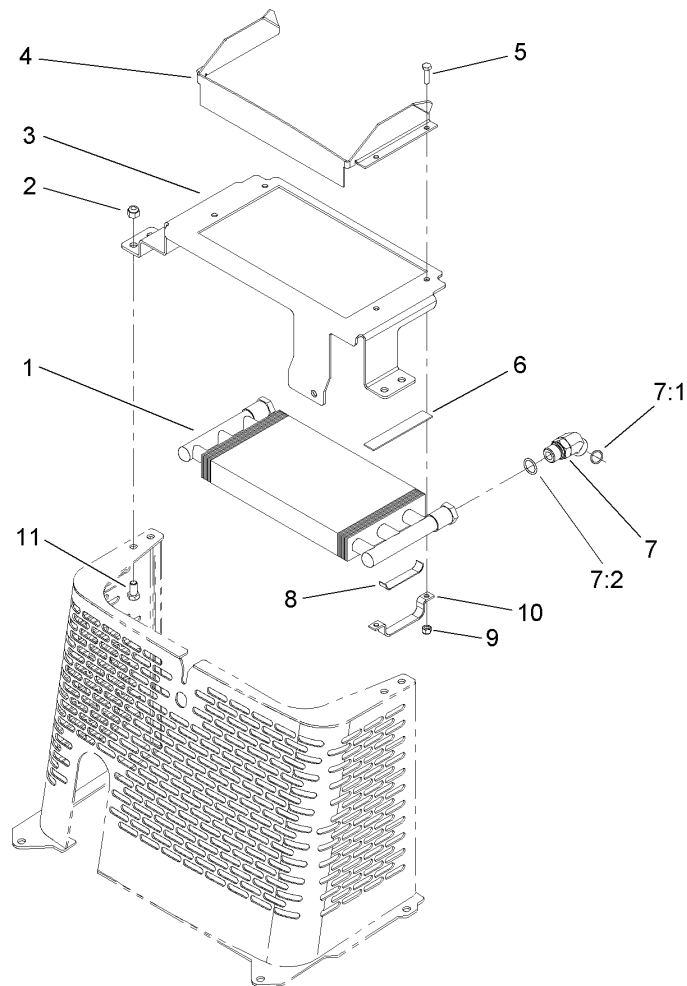
● Not illustrated

■ Not serviced separately



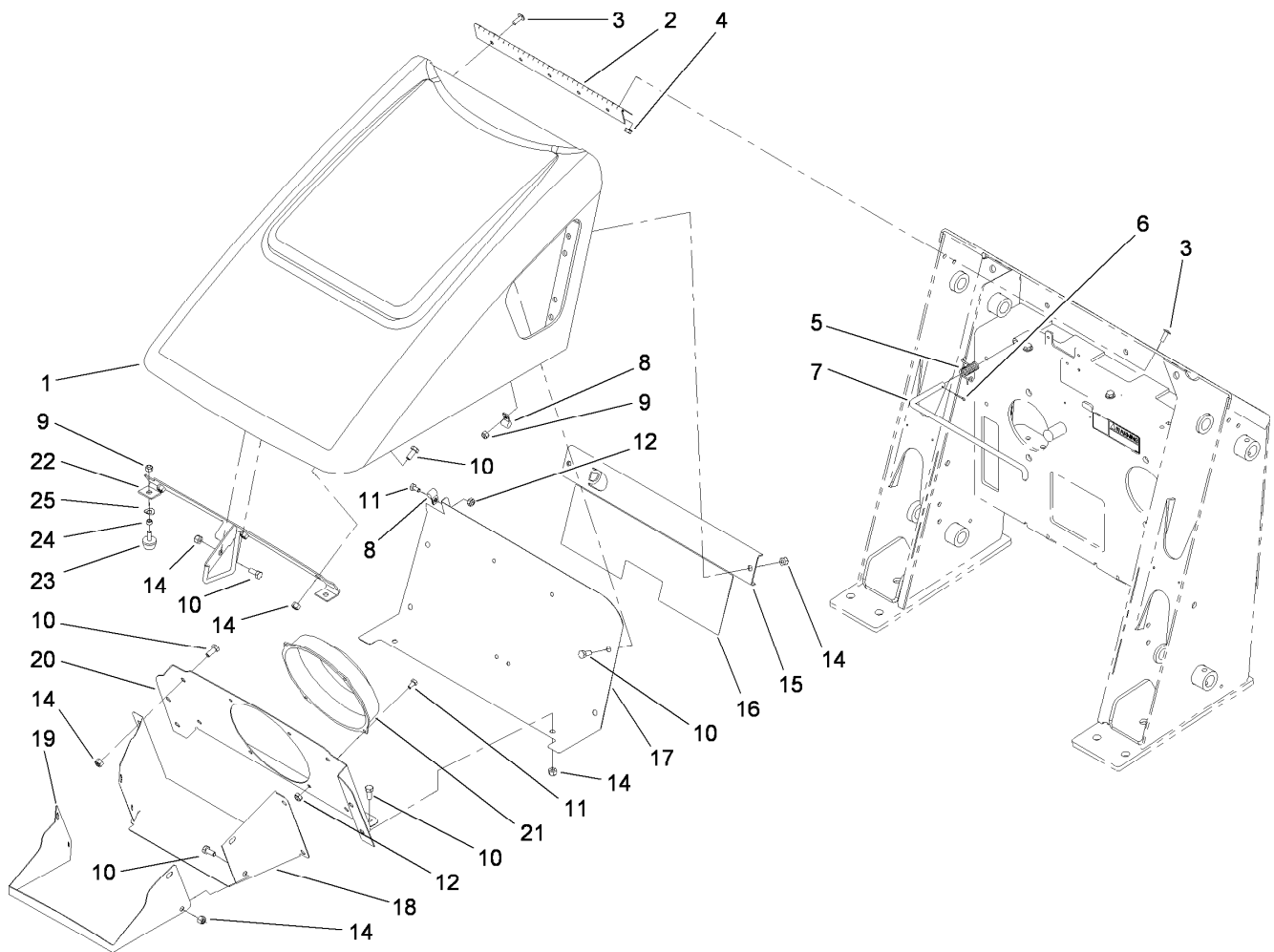
Grill Assembly

<i>Ref.</i>	<i>Part Number</i>	<i>Qty.</i>	<i>Description</i>
1	106-5721-03	1	Grill ASM
2	106-5727-03	1	Panel-Side, RH
3	106-5729-03	1	Bracket-Latch
4	3296-60	1	Nut-Lock, NI
5	106-5728	1	Cam-Latch
6	104-0869	1	Spring
7	3253-3	1	Washer-Lock
8	321-2	1	Screw-HH
9	106-5726-03	1	Panel-Side, LH
10	95-1726	4	Screw-Taptite
11	3296-29	2	Nut-Lock, NI
12	3256-23	2	Washer-Plain
13	3230-28	2	Screw-CARR
14	3296-23	4	Nut-Lock, NI
15	99-6166-01	1	Counterweight-Front
16	3256-26	4	Washer-Flat
17	325-10	4	Screw-HH
18	105-0395	1	Heat Shield ASM
18:2	80-8290	1	Plate-Surface, Hot
18:3	3269-31	2	Rivet-Pop
19	108-5639	1	Handle-Latch
20	106-9335	1	Housing-Latch



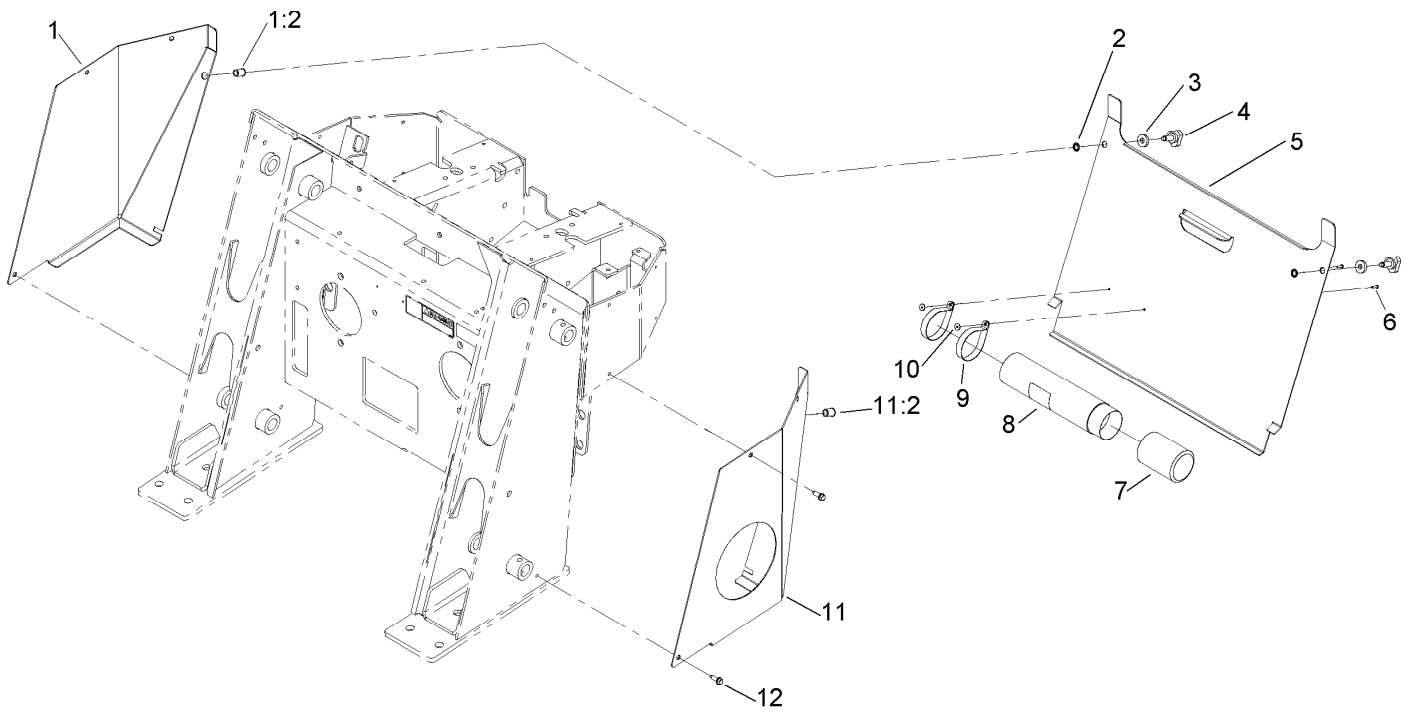
Hydraulic Oil Cooler Assembly

<i>Ref.</i>	<i>Part Number</i>	<i>Qty.</i>	<i>Description</i>
1	105-0352	1	Exchanger-Heat
2	3296-39	4	Nut-Lock, NI
3	108-4681-03	1	Bracket-Mounting, Cooler
4	104-2802-03	1	Shield-Cooler
5	321-6	4	Screw-HH
6	94-9566	2	Pad-Footrest
7	340-14	2	Fitting-HYD, 45 DEG
7:1	237-65	1	O-Ring
7:2	237-80	1	O-Ring
8	104-2816	2	Pad-Support
9	3296-42	4	Nut-Lock, NI
10	104-2803	2	Support-Cooler
11	323-4	4	Screw-HH



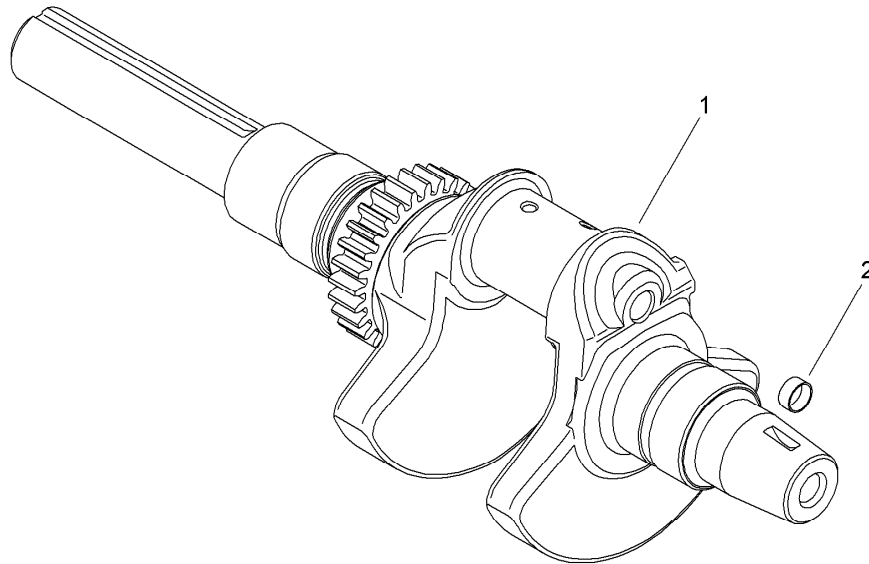
Hood Assembly

<i>Ref.</i>	<i>Part Number</i>	<i>Qty.</i>	<i>Description</i>
1	106-2590	1	Engine Hood ASM
2	100-1284	1	Hinge-Hood
3	9114604	9	Screw-Head, Truss
4	32128-33	4	Nut-HF
5	106-2584	1	Spring-Torsion
6	3272-6	1	Pin-Cotter
7	106-2554	1	Rod-Support, Hood
8	2412-91	2	Clamp
9	3296-42	7	Nut-Lock, NI
10	322-3	22	Screw-HH
11	321-2	5	Screw-HH
12	3296-16	5	Nut-Lock, NI
14	3296-29	22	Nut-Lock, NI
15	115-0724-03	1	Bracket-Support, Hood
16	108-5599	1	Decal-Service
17	112-2591-03	1	Bracket-Fan, Back
18	112-2592-03	1	Shroud-Fan
19	112-2595-03	1	Shroud-Fan, Front
20	112-2590-03	1	Bracket-Fan, Front
21	104-2809	1	Fan
22	106-5717-03	1	Rod Latch ASM
23	1-523420	2	Bumper
24	106-9308	2	Spacer
25	3290-301	2	Washer-Spring



Rear Access Cover Assembly

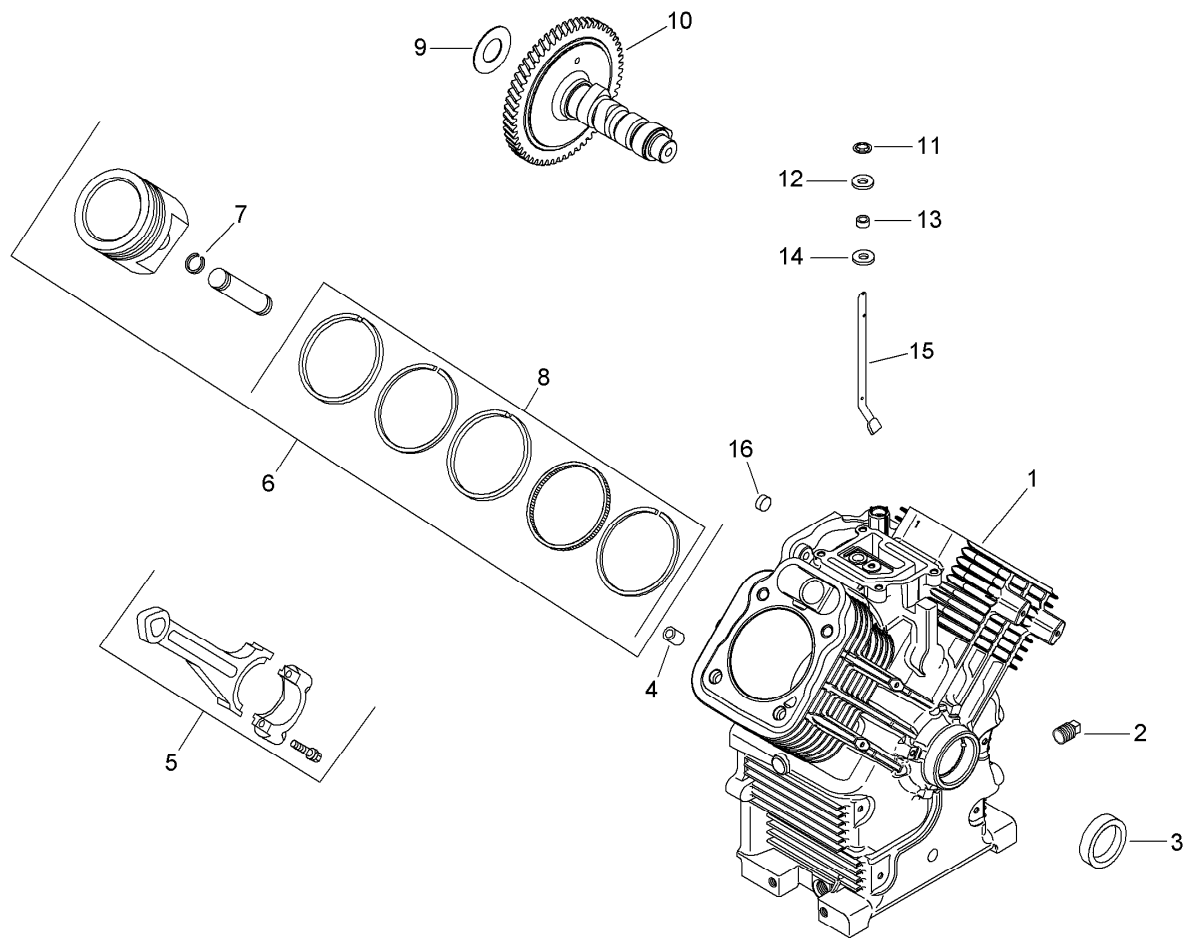
<i>Ref.</i>	<i>Part Number</i>	<i>Qty.</i>	<i>Description</i>
1	106-9342	1	RH Rear Cover Support ASM
1:2	32148-9	1	Nut-Clinch
2	32151-72	2	Ring-Retaining
3	106-0565	2	Washer-Rubber
4	95-9648	2	Knob
5	106-9339-01	1	Cover-Access, Rear
6	3269-17	2	Rivet-Pop
7	104-7048	1	Cap-Housing
8	104-7050	1	Tube-Manual
9	2412-120	2	Clamp-R
10	3269-10	2	Washer-Back
11	106-9343	1	LH Rear Cover Support ASM
11:2	32148-9	1	Nut-Clinch
12	9266714	6	Screw-HWH



Crankshaft Assembly Kohler CH730-0162

<i>Ref.</i>	<i>Part Number</i>	<i>Qty.</i>	<i>Description</i>
1	24 014 90-S	1	Crankshaft (Includes Ref 2) ●
2	52 139 09-S	1	Plug-Cup ●

● Obtain parts from www.kohlerplus.com

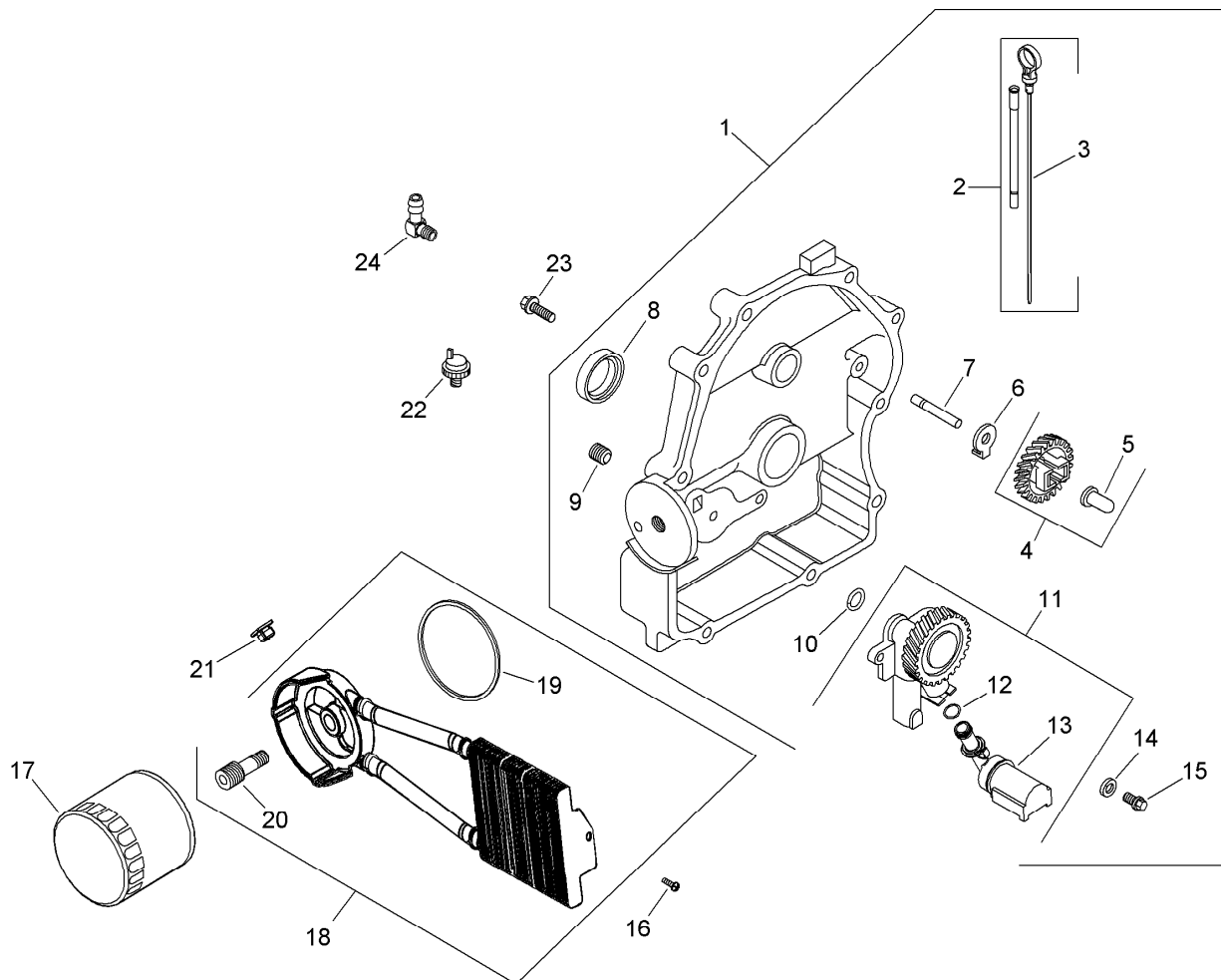


Crankcase Assembly Kohler CH730-0162

Ref.	Part Number	Qty.	Description	Ref.	Part Number	Qty.	Description
1	24 782 32	1	Crankcase-Mini Block ● ■ ■	9	12 422 10-S	1	Shim-Camshaft (Yellow .034) ■
2	52 139 02-S	2	Plug-Pipe Head, 3/8 ■	9	12 422 11-S	1	Shim-Camshaft (Green .036) ■
3	24 032 19-S	1	Seal-Oil (Helix Lip) ■	9	12 422 12-S	1	Shim-Camshaft (Gray .038) ■
4	24 380 16-S	6	Pin-Locating ■	9	12 422 13-S	1	Shim-Camshaft (Black .04) ■
5	24 067 24-S	2	Rod-Connecting (STD) ■	10	24 012 16-S	1	Camshaft Kit (Includes 12 422 08-S & 25 357 14-S) ■
5	24 067 25-S	2	Rod-Connecting (.25) ■	11	24 018 09-S	1	Retainer-Ring ■
6	24 874 26-S	2	Piston And Ring Kit (STD) ■	12	M-931010-S	1	Washer-Flat (9MM) ■
6	24 874 27-S	2	Piston W/Ring Set (.08) ■	13	28 032 09-S	1	Seal-Cross Shaft, Governor ■
6	24 874 20-S	1	Piston And Ring Set (.25) ■	14	24 468 15-S	1	Washer-Flat (11/32) ■
6	24 874 29-S	1	Piston W/Ring Set Kit (.50) ■	15	24 144 38-S	1	Shaft-Cross, Governor ■
7	24 018 01-S	4	Retainer-Pin, Piston ■	16	52 139 09-S	1	Plug-Cup ■
8	24 108 14-S	1	Piston Ring Set (STD) ■	25 357 14-S	1	Lubricant-Camshaft ● ■	
8	24 108 15-S	1	Ring Set (.08) ■	24 755 158-S	1	Gasket Set ● ■	
8	24 108 16-S	1	Piston Ring Set (.25) ■				
8	24 108 17-S	1	Ring Set (.50) ■				
9	12 422 07-S	1	Shim-Camshaft (White .028) ■				
9	12 422 08-S	1	Shim-Camshaft (Blue .03) ■				
9	12 422 09-S	1	Shim-Camshaft (Red .032) ■				

● Not illustrated

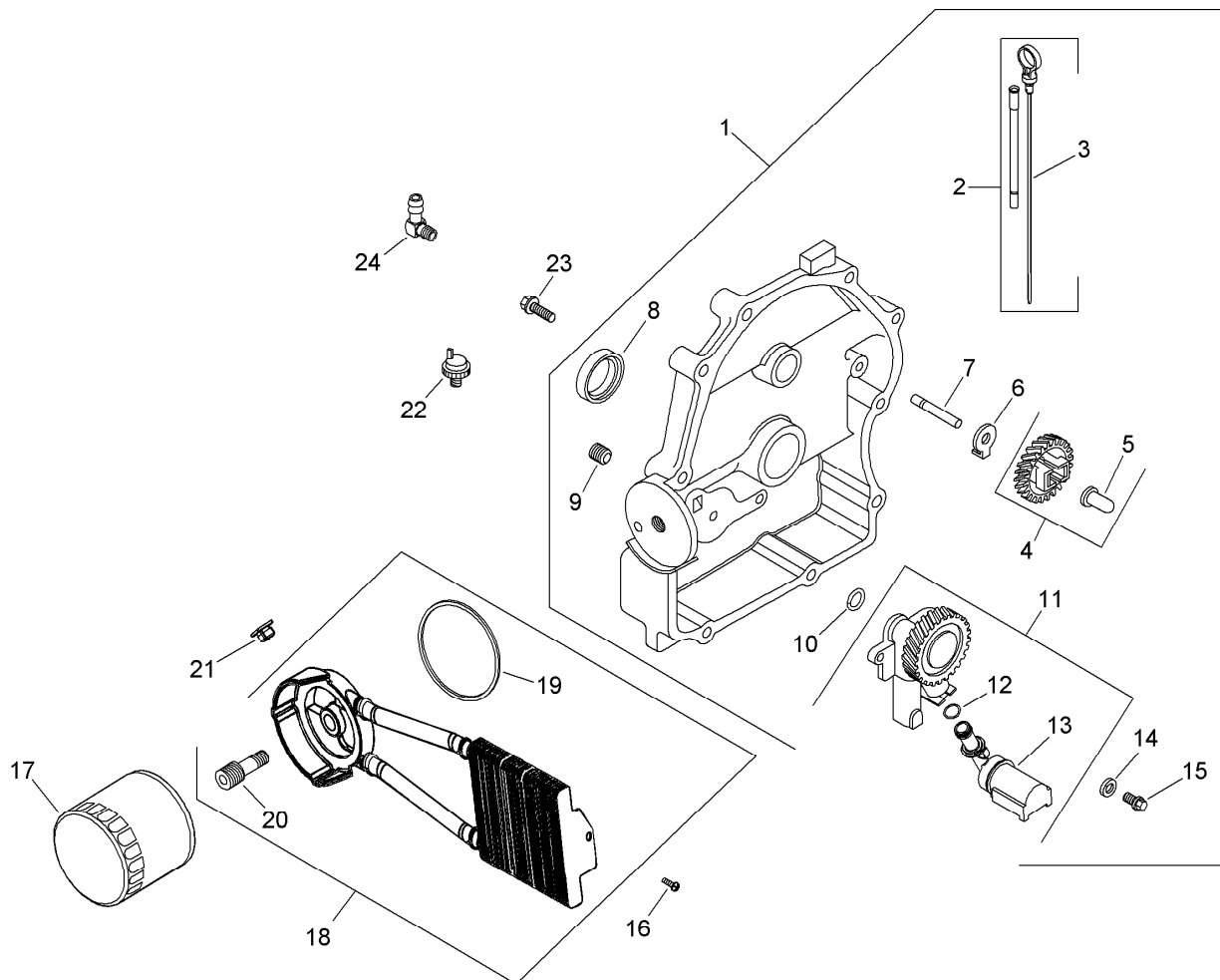
■ Obtain parts from www.kohlerplus.com



Oil Pan and Lubrication Assembly Kohler CH730-0162

Ref.	Part Number	Qty.	Description
1	66 009 08-S	1	Closure Plate ASM (Includes Ref 2-15) ●
2	24 755 121-S	1	Dipstick Tube ASM (Includes Ref 3) ●
3	24 038 10-S	1	Dipstick ●
4	24 043 12-S	1	Governor Gear Kit (Includes Ref 5) ●
5	12 380 01-S	1	Pin-Regulating, Governor ●
6	24 448 02-S	1	Tab-Locking ●
7	12 144 02-S	1	Shaft-Gear, Governor ●
8	52 032 08-S	1	Seal-Oil (PTO End) ●
9	25 139 60-S	1	Plug-Pipe, Countersunk (1/8) ●
10	24 153 08-S	1	O-Ring ●
11	24 393 51-S	1	Oil Pump ASM (Includes Ref 12,13) ●
12	24 153 01-S	1	O-Ring (Oil Pick-Up) ●
13	24 381 04-S	1	Tube-Pick Up, Oil ●
14	M-631005-S	2	Washer-Flat (6 MM) ●
15	M-645025-S	2	Screw-Flange, Thread Forming (M6X1.0X25) ●
16	24 086 12-S	2	Screw-TAP (M6X1.7X18) ●
17	52 050 02-S	1	Filter-Oil ●
18	54 755 21-S	1	Oil Cooler Kit (Metal) ●
19	24 153 21-S	1	O-Ring (Oil Cooler) ●
20	24 136 05-S	1	Nipple (Oil Filter) ●
21	24 100 01-S	2	Nut-Plastic ●

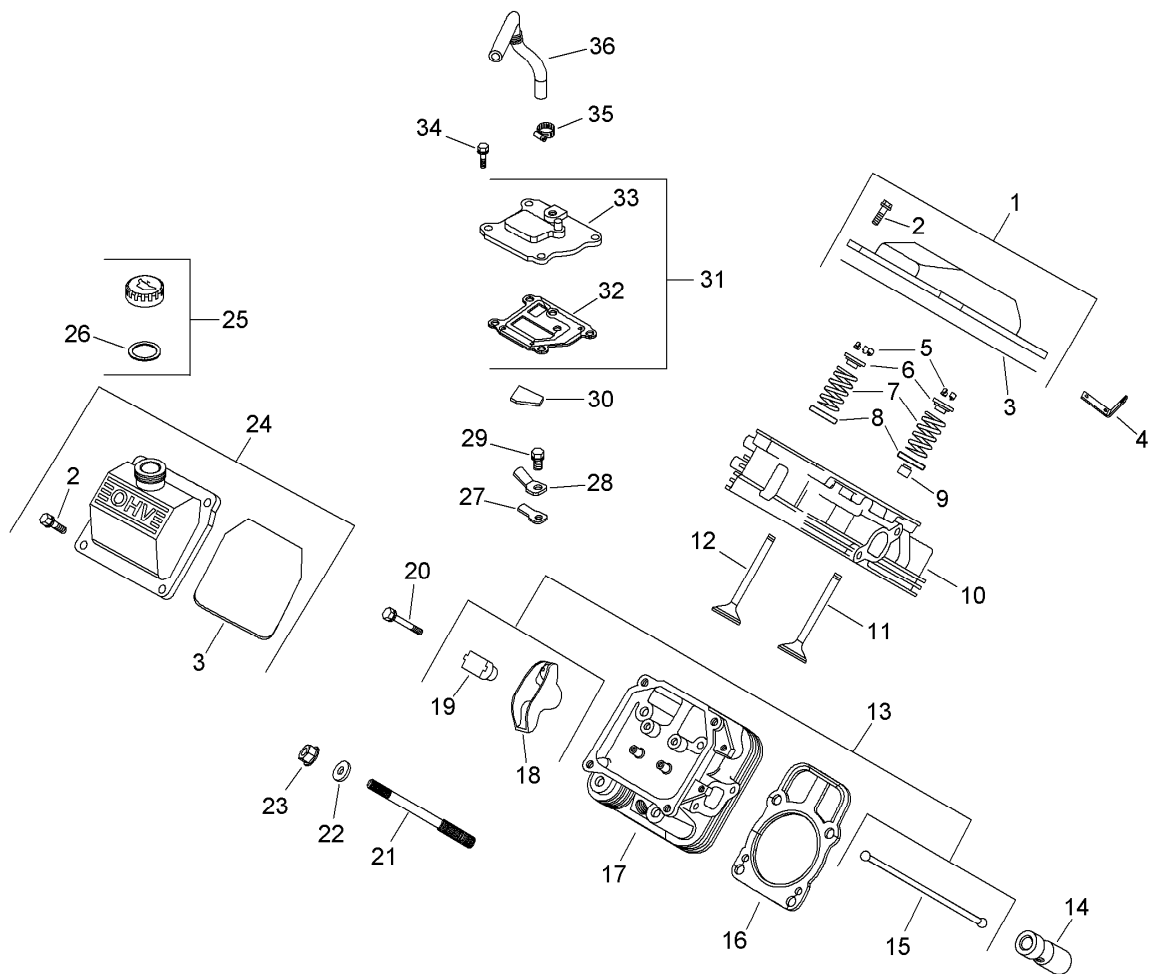
● Obtain parts from www.kohlerplus.com



Oil Pan and Lubrication Assembly Kohler CH730-0162 (continued)

Ref.	Part Number	Qty.	Description
22	24 099 03-S	1	Switch-Pressure, Oil ●
23	24 086 17-S	10	Screw-Flange (M8X1.25X45) ●
24	25 155 02-S	1	Connector-Hose, 90 Deg ●

● Obtain parts from www.kohlerplus.com

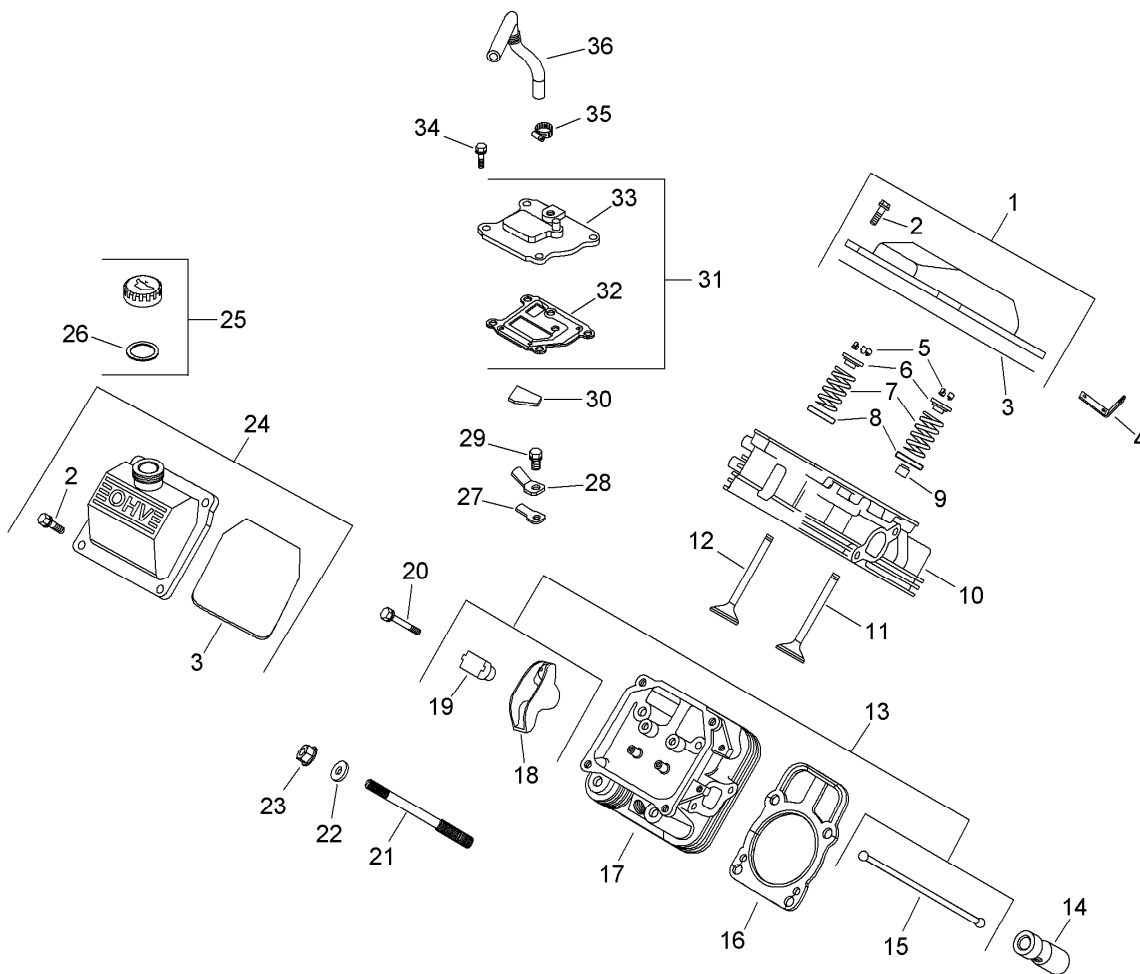


Head, Valve and Breather Assembly Kohler CH730-0162

Ref.	Part Number	Qty.	Description	Ref.	Part Number	Qty.	Description
1	24 755 141-S	1	Plain Valve Cover ASM (Includes 2, 3) ■	18	25 186 01-S	4	Arm-Rocker ■
2	M-651030-S	8	Screw-Flange (M6X1.0X30) ■	19	24 599 02-S	4	Pivot-Arm, Rocker ■
3	24 153 28-S	2	O-Ring (Valve Cover) ■	20	M-640034-S	4	Screw-Flange (M6X1.0X34) ■
4	24 445 01-S	1	Strap-Lifting ■	21	24 072 09-S	8	Stud (M8X1.25Xm10X1.5X105MM) ■
5	12 755 03-S	4	Retainer Kit ■	22	24 468 16-S	8	Washer-Flat (8.6 MM) ■
6	12 173 01-S	4	Cap-Spring, Valve ■	23	24 100 10-S	8	Nut-Flange (M8X1.25) ■
7	24 089 02-S	4	Spring-Valve ■	24	24 755 140-S	1	Oil Fill Rocker Cover Kit (Includes 2, 3) ■
8	235011-S	4	Retainer-Spring ■	25	24 755 46-S	1	Oil Fill Cap Kit (Yellow) (Includes 26) ■
9	66 032 05-S	2	Seal-Stem, Valve ■	26	25 153 02-S	1	O-Ring (Dipstick) ■
10	24 318 65-S	1	No.1 Cylinder Head ASM ■	27	24 402 03-S	1	Reed-Breather ■
11	24 017 01-S	2	Valve-Intake (STD) ■	28	66 018 04-S	1	Retainer-Reed ■
11	24 017 02-S	2	Valve-Intake (.25) ■	29	M-545010-S	1	Screw-HHFTF (M5X.80X10) ■
12	24 016 01-S	2	Valve-Exhaust (STD) ■	30	24 050 11-S	1	Filter-Breather ■
12	24 016 02-S	2	Valve-Exhaust (.25) ■	31	24 033 01-S	1	Breather ASM (Includes 32, 33) ■
13	24 755 66-S	1	Valve Train Kit (Includes 15, 18, 19) ■	32	24 041 51-S	1	Gasket-Breather ■
14	25 351 04-S	4	Hydraulic Valve Lifter Kit (Includes 25 357 14-S) ■	33	24 096 86-S	1	Cover-Breather ■
15	24 411 05-S	4	Rod-Push ■				
16	24 841 03-S	2	Cylinder Head Gasket Kit ■				
17	24 318 66-S	1	No.2 Cylinder Head ASM ■				

● Not illustrated

■ Obtain parts from www.kohlerplus.com

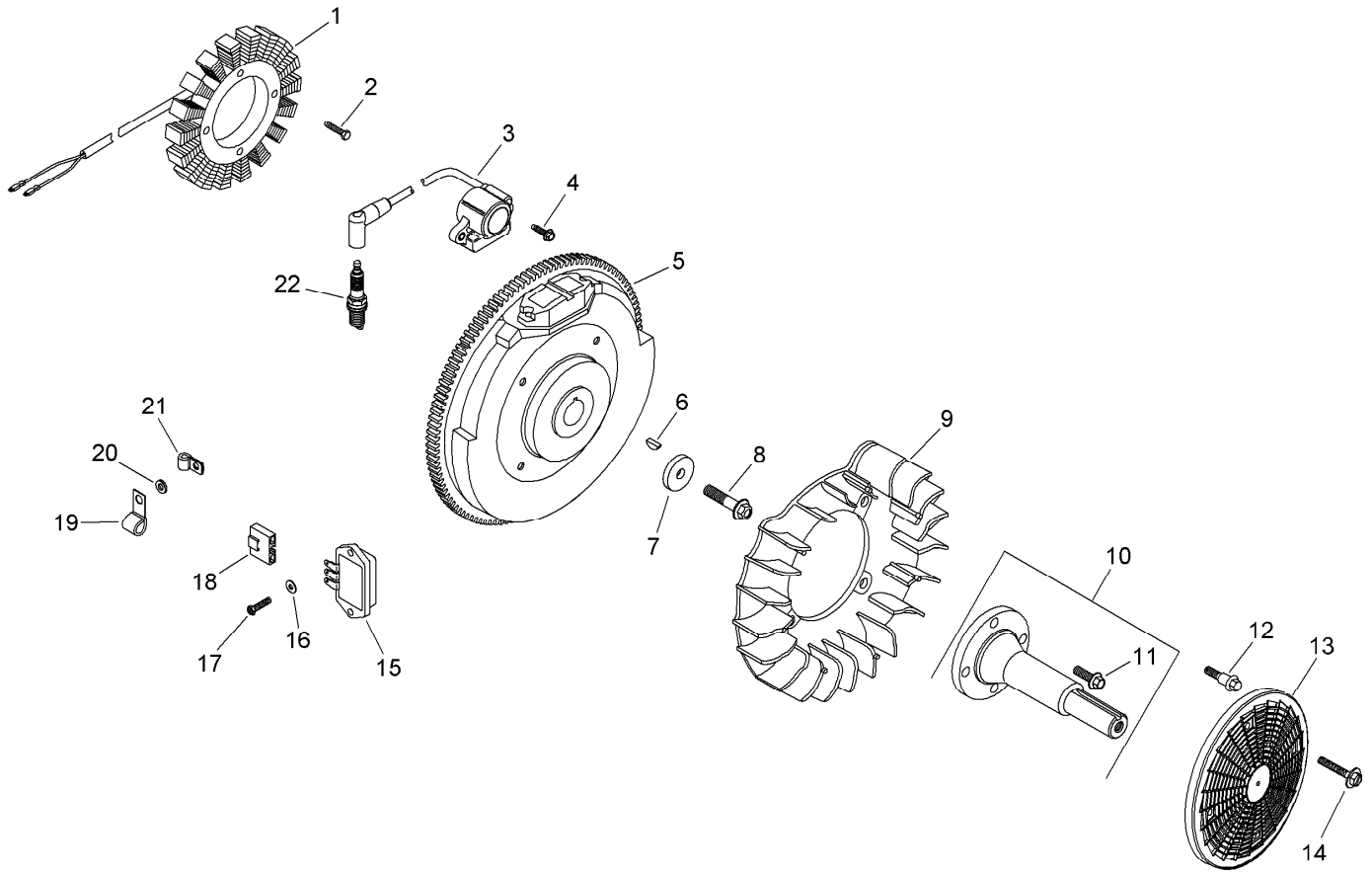


Head, Valve and Breather Assembly Kohler CH730-0162 (continued)

<i>Ref.</i>	<i>Part Number</i>	<i>Qty.</i>	<i>Description</i>	<i>Ref.</i>	<i>Part Number</i>	<i>Qty.</i>	<i>Description</i>
34	M-645020-S	4	Screw-HHFTF (M6X1.0X20) ■	24	755 147-S	2	Cylinder Head Hardware Kit (Includes 5-9, 11, 12, 15, 18-20) ● ■
35	25 237 14-S	1	Clamp-Hose, Spring (.25) ■	25	357 14-S	1	Lubricant-Camshaft ● ■
36	24 326 89-S	1	Hose-Breather ■				

● Not illustrated

■ Obtain parts from www.kohlerplus.com

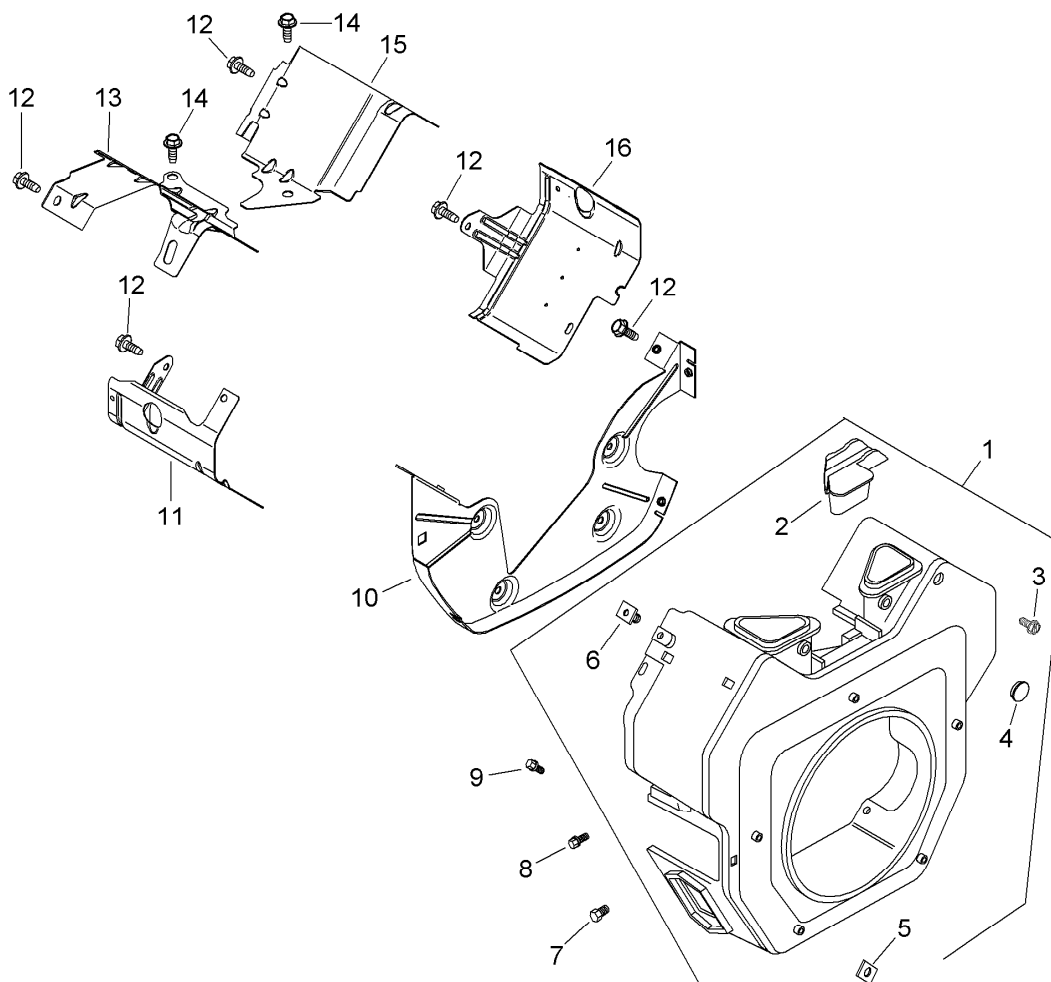


Ignition and Electrical Assembly Kohler CH730-0162

Ref.	Part Number	Qty.	Description	Ref.	Part Number	Qty.	Description
1	237878-S	1	Stator Kit (15 Amp) (Includes 25 452 01-S) ■	13	24 162 34-S	1	Screen-Grass ■
2	M-548025-S	2	Screw-Thread Forming (M5X0.8X25) ■	14	25 086 117-S	4	Screw-Flange, Sems (M4X.7X25) ■
3	24 584 45-S	2	Module-Ignition (C D I Fixed) ■	15	41 403 09-S	1	Rectifier-Regulator ■
4	M-545020-S	4	Screw-Flange, Thread Forming (M5X.8X20) ■	16	25 468 07-S	2	Washer-Flat (.22) ■
5	24 025 48-S	1	Flywheel ■	17	24 086 18-S	2	Screw-Phl HD (11-16X.88) ■
6	X-42-15-S	1	Key (3/16 X 5/8) ■	18	236602-S	1	Connector (3 Contact) ■
7	12 468 03-S	1	Washer-Flat (13/32) ■	19	235173-S	1	Clip-Cable ■
8	12 086 14-S	1	Screw-Flange (M10X1.5X45) ■	20	X-25-63-S	1	Washer-Flat (1/4) ■
9	24 157 11-S	1	Fan ■	21	12 154 01-S	1	Clamp-Insulated ■
10	24 144 13-S	1	Shaft-Drive, Front (Includes 11) ■	22	25 132 12-S	2	Spark Plug (Pro Series) ■
11	M-839025-S	4	Screw-HF (M8X1.25X25) ■		25 086 91-S	2	Screw-Wsh HD Tap (8-18X.50) ● ■
12	25 086 47-S	4	Bolt-Shoulder (M6X1.0X16) ■		24 126 137-S	1	Bracket-Strap, Ground ● ■
					24 176 08-S	1	Harness-Wiring ● ■
					25 454 07-S	2	Tie-Wire ● ■
					25 452 01-S	2	Terminal ● ■

● Not illustrated

■ Obtain parts from www.kohlerplus.com

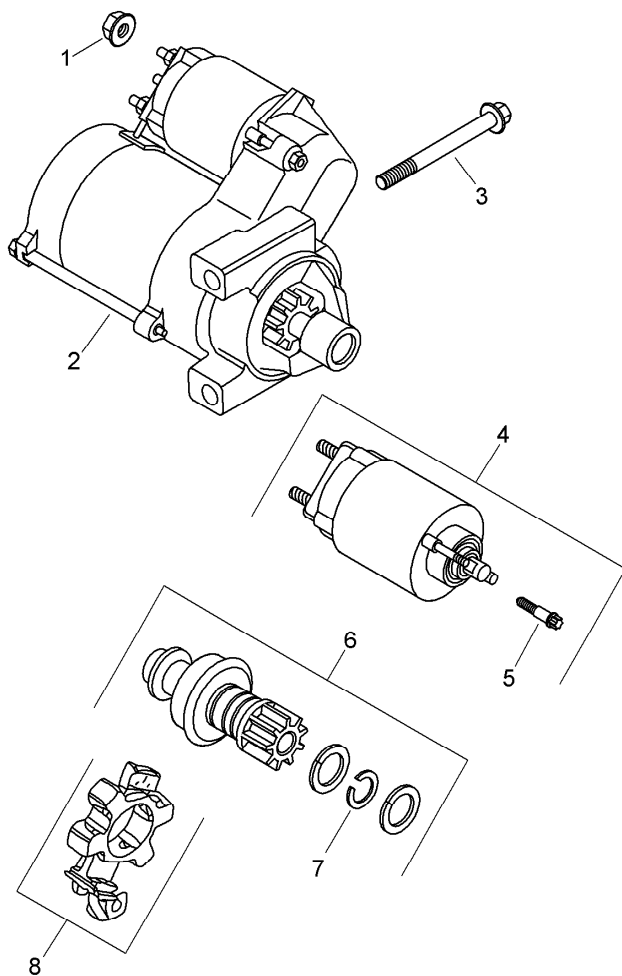


Blower Housing and Baffle Assembly Kohler CH730-0162

Ref.	Part Number	Qty.	Description
1	24 027 195-S	1	Blower Housing ASM (Includes 2-6 And 41 037 10-S) ■
2	24 096 85-S	1	Cover-Housing, Blower ■
3	25 086 91-S	1	Screw-Wsh HD Tap (8-18X.50) ■
4	25 139 16-S	1	Plug-Button (9/16) ■
5	24 100 02-S	2	Nut-Plastic ■
6	24 100 01-S	3	Nut-Plastic ■
7	M-561016-S	1	Screw-Flange, Thread Forming (M5X.80X16) ■
8	M-545016-S	4	Screw-Flange, Thread Forming (M5X0.8X16) ■
9	M-545020-S	4	Screw-Flange, Thread Forming (M5X.8X20) ■
10	24 146 53-S	1	Plate-Backing (Includes 25 154 11-S) ■
11	24 063 76-S	1	Baffle-Barrel, CYL (No.2 Side) ■
12	M-645016-S	6	Screw-Flange, Thread Forming (M6X1.0X16) ■
13	24 063 70-S	1	Baffle-Valley (No. 2 Side) ■
14	M-545010-S	2	Screw-HHFTF (M5X.80X10) ■
15	24 063 59-S	1	Baffle-Valley (No. 1 Side) ■
16	24 063 81-S	1	Baffle-Barrel, CYL (No.1 Side) ■
	41 037 10-S	1	Nameplate-Service ● ■
	25 154 11-S	1	Clip-Repair (Speed Nut) ● ■

● Not illustrated

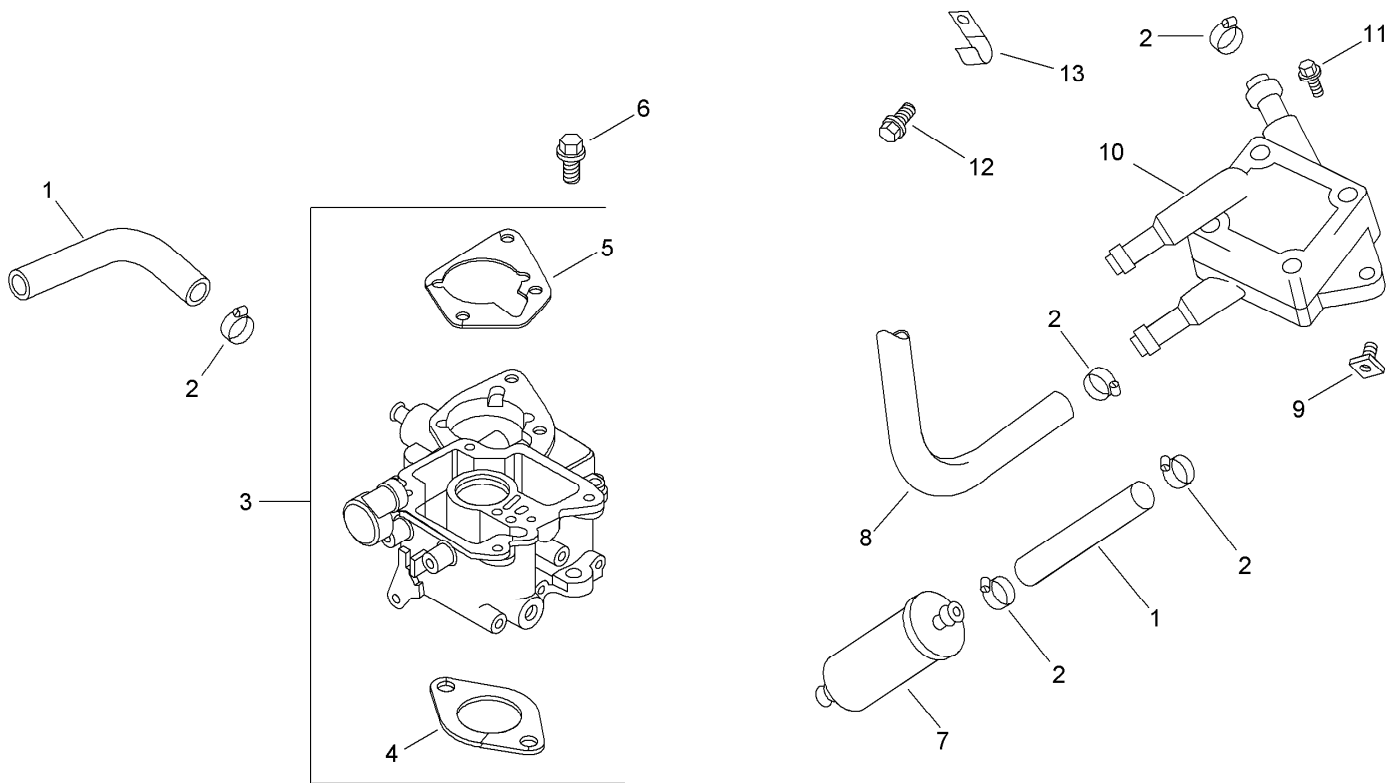
■ Obtain parts from www.kohlerplus.com



Starting System Assembly Kohler CH730-0162

Ref.	Part Number	Qty.	Description
1	M-841080-S	1	Nut-Flange (M8X1.25) ●
2	25 098 09-S	1	Starter ASM (Solenoid Shift) ●
3	M-839080-S	2	Screw-Flg (M8X1.25X80) ●
4	25 435 06-S	1	Solenoid Kit (Includes 5) ●
5	25 086 113-S	3	Screw-Torx Head, External ●
6	25 755 33-S	1	Pinion Drive Kit (Includes 7) ●
7	25 141 05-S	1	Ring-Retaining ●
8	25 221 01-S	1	Brush Holder Kit ●

● Obtain parts from www.kohlerplus.com

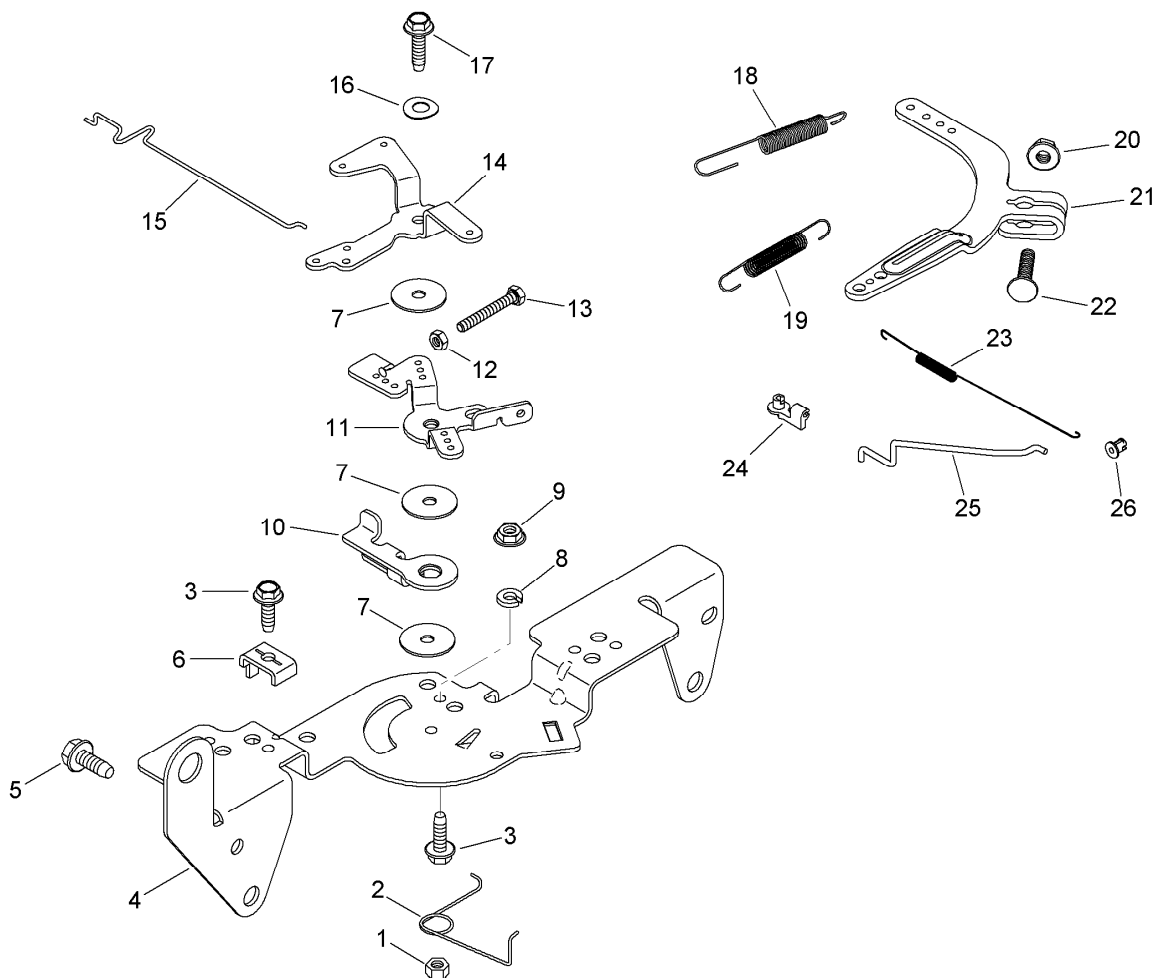


Fuel System Assembly Kohler CH730-0162

Ref.	Part Number	Qty.	Description
1	25 111 34-S	1	Line-Fuel (24.0 Cut To Length) ■
2	25 237 14-S	6	Clamp-Hose, Spring (1/2) ■
3	24 853 91-S	1	Carburetor Kit (Includes 4, 5) ■
4	24 041 53-S	1	Gasket-Carburetor ■
5	24 041 06-S	1	Gasket-Base, Air Cleaner ■
6	25 086 124-S	2	Screw-Flange (M6X1.0X25) ■
7	24 050 10-S	1	Filter-Fuel ■
8	24 353 02-S	1	Line-Fuel, Flexible (15.5) ■
9	24 100 01-S	2	Nut-Plastic ■
10	24 393 16-S	1	Pump-Fuel ■
11	24 086 12-S	2	Screw-TAP (M6X1.7X18) ■
12	M-650012-S	1	Screw-HF (M6X1.0X12) ■
13	47 154 01-S	1	Clip-Cable ■
	24 757 07-S	1	Choke Repair Kit ● ■
	24 757 02-S	1	Float Repair Kit ● ■
	24 757 01-S	1	Solenoid Repair Kit ● ■
	24 757 03-S	1	Carburetor Repair Kit ● ■
	24 757 08-S	1	Accelerator Pump Repair Kit ● ■
	24 757 09-S	1	Accelerator Pump Seal Repair Kit ● ■
	24 755 130-S	1	High Altitude Kit ● ■
	24 518 24-S	1	Lead-Ground ● ■

● Not illustrated

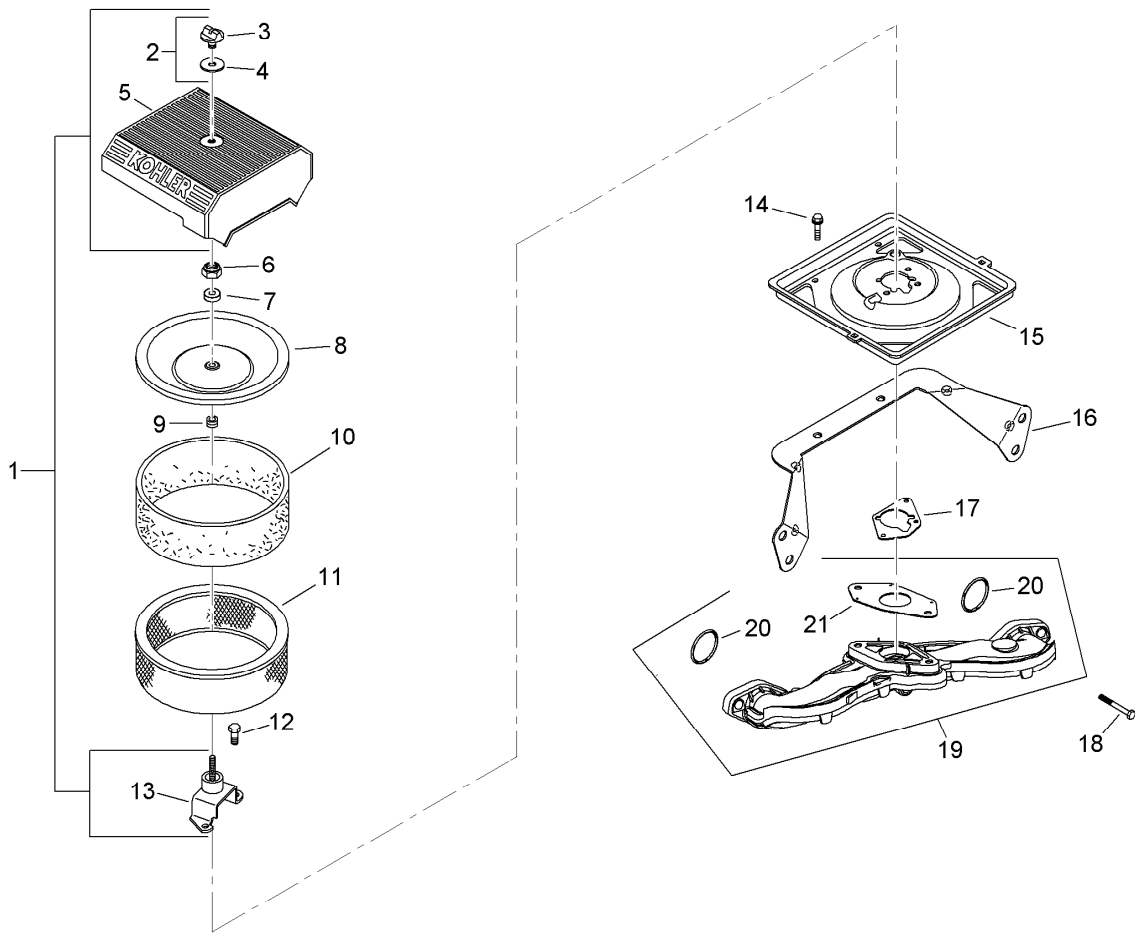
■ Obtain parts from www.kohlerplus.com



Engine Control Assembly Kohler CH730-0162

Ref.	Part Number	Qty.	Description	Ref.	Part Number	Qty.	Description
1	M-547050-S	1	Nut-Lock (M5X.8) ●	15	24 079 21-S	1	Linkage-Choke ●
2	24 089 03-S	1	Spring-Return, Choke ●	16	41 468 03-S	1	Washer-Spring (1/4) ●
3	M-545016-S	1	Screw-Flange, Thread Forming (M5X0.8X16) ●	17	M-545020-S	1	Screw-Flange, Thread Forming (M5X.8X20) ●
4	24 126 56-S	1	Bracket-Control ●	18	24 089 51-S	1	Spring-Limiter, Throttle ●
5	M-645016-S	4	Screw-Flange, Thread Forming (M6X1.0X16) ●	19	24 089 44-S	1	Spring-Governor ●
6	12 237 01-S	2	Clamp-Cable ●	20	M-641060-S	1	Nut-Flange (M6X1.0) ●
7	24 468 01-S	3	Washer-Flat (5.5MM) ●	21	24 090 33-S	1	Lever-Governor ●
8	X-20-1-S	1	Washer-Lock (.25) ●	22	24 211 03-S	1	Bolt-Sq Neck, Rd HD (M6X1.0X25) ●
9	M-541050-S	1	Nut-HF (M5X0.8) ●	23	24 089 01-S	1	Spring-Linkage ●
10	24 090 07-S	1	Lever-Actuator, Throttle ●	24	25 158 11-S	1	Bushing-Retaining, Linkage ●
11	24 090 03-S	1	Lever-Control, Throttle ●	25	24 079 01-S	1	Linkage-Throttle ●
12	M-446030-S	1	Nut (M4X0.7) ●	26	25 158 08-S	1	Bushing-Linkage, Throttle ●
13	M-401030-S	1	Screw (M4X0.7X30) ●				
14	24 090 05-S	1	Lever-Choke ●				

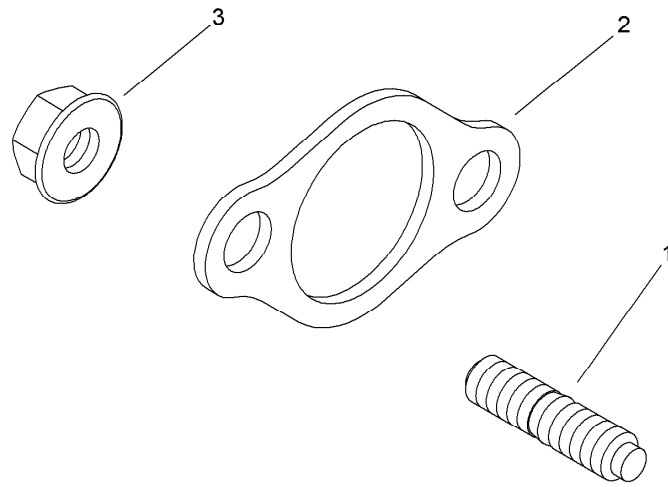
● Obtain parts from www.kohlerplus.com



Air Intake and Filtration Assembly Kohler CH730-0162

Ref.	Part Number	Qty.	Description
1	24 743 06-S	1	Air Cleaner Cover Kit (Includes 2-5, 13)
2	54 755 01-S	1	Knob W/Seal Kit ●
3	25 341 04-S	1	Knob-Cover ●
4	24 153 20-S	1	O-Ring ●
5	24 096 67-S	1	Cover-Cleaner, Air ●
6	M-647060-S	1	Nut-Lock (M6X1.0) ●
7	28 112 01-S	1	Spacer ●
8	24 096 01-S	1	Cover-Air Cleaner, Inner ●
9	230046-S	1	Seal ●
10	24 083 05-S	1	Pre-Cleaner ●
11	24 083 03-S	1	Element-Filter, Air ●
12	24 086 53-S	3	Screw-Flange, Thread Forming (M6X1.0X16) ●
13	24 126 141-S	1	Bracket-Base, Air Cleaner ●
14	M-545010-S	2	Screw-HHFTF (M5X.80X10) ●
15	24 094 37-S	1	Base-Cleaner, Air ●
16	24 126 130-S	1	Bracket-Base, Air Cleaner ●
17	24 041 06-S	1	Gasket-Base, Air Cleaner ●
18	M-651040-S	4	Screw-Flange (M6X1.0X40) ●
19	24 164 54-S	1	Intake Manifold ASM ●
20	24 153 27-S	2	O Ring-Port, Intake ●
21	24 041 53-S	1	Gasket-Carburetor ●

● Obtain parts from www.kohlerplus.com

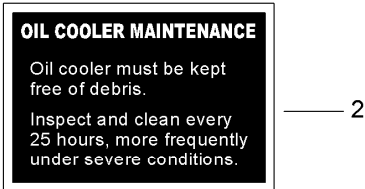
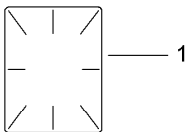


Exhaust Assembly Kohler CH730-0162

<i>Ref.</i>	<i>Part Number</i>	<i>Qty.</i>	<i>Description</i>
1	25 072 14-S	4	Stud (M8X1.25X33) ■
2	24 041 49-S	2	Gasket-Exhaust ■
3	M-841080-S	4	Nut-Flange (M8X1.25) ■

● Not illustrated

■ Obtain parts from www.kohlerplus.com



Artwork is representative
Actual labels may differ depending on model and specification number

Decal Assembly Kohler CH730-0162

<i>Ref.</i>	<i>Part Number</i>	<i>Qty.</i>	<i>Description</i>
1	25 113 39-S	1	Decal-Laminate, Clear ●
2	24 113 25-S	1	Decal-Cooler, Oil ●
3	24 113 97-S	1	Decal-25 HP ●

● Obtain parts from www.kohlerplus.com

Attachments and Accessories

For 22307 Dingo TX 425 Wide Track Compact Utility Loader

Product Name	Model/Part
Track Kit.....	104-6107
Brake Kit.....	106-7581
Straight Track Tensioner Kit.....	106-7610
Right-Hand Track Tensioner Kit.....	106-7611
Left-Hand Track Tensioner Kit.....	106-7612
Road Wheel Kit.....	106-7620
Road Wheel Kit (5-Pack).....	106-7627
Reference Guide Kit.....	107-9310
Replacement Hood Latch Kit.....	108-4650
Rear Cover Kit.....	108-4657
Wheel-Drive.....	108-5645-03
Alignment Tool.....	110-0069
Ce Decal Kit.....	22362
4 Cubic Foot Standard Bucket.....	22409
Loose Materials Bucket.....	22410
48in Hydraulic Blade.....	22414
Rotary Broom.....	22415
Bore Drive Head.....	22420
Multi-Purpose Tool.....	22423
Power Box Rake.....	22425
Stump Grinder.....	22429
Tree Forks.....	22438
The Eliminator Scarifier/Groomer.....	22443
40in Tiller.....	22445
Snowthrower.....	22456
Trencher Head.....	22470
High-Speed Trencher Head.....	22471
Narrow Bucket.....	22520
Auger Head.....	22802
Universal Swivel Auger Head.....	22803
Vibratory Plow.....	22911
Soil Cultivator.....	23101
Concrete Breaker.....	23135
Backhoe Fitup Kit.....	23162
Backhoe.....	23163
Adjustable Forks.....	23164
Leveler.....	23165

Notes:

Notes:



Count on it.