



Count on it.

Parts Catalog

**TX 427 Wide Track
Compact Utility Loader**

Model No. 22322—Serial No. 28000001 and Up



Ordering Replacement Parts

To order replacement parts, please supply the part number, the quantity, and the description of each part desired.

Understanding Reference Numbers

Each identified part in an illustration has a reference number. The reference number for a part also appears in the parts list, along with other information about the part.

This catalog uses two special reference number formats, one to indicate parts in a service assembly and another to indicate the quantity of a given part in an illustration.

Service Assembly Reference Numbers

Parts in service assemblies have reference numbers in the form a:b. The a represents the reference number of the entire service assembly and the b represents a sequential number unique to each part within the service assembly.

For example, a wheel assembly might be identified by reference number 6, the tire by 6:1, the valve by 6:2, and the wheel by 6:3. When you order the assembly identified by reference number 6, you receive all parts identified by reference numbers 6:1, 6:2, and 6:3. However, you may also order any part individually. Reference numbers of this type appear in illustration and in parts lists.

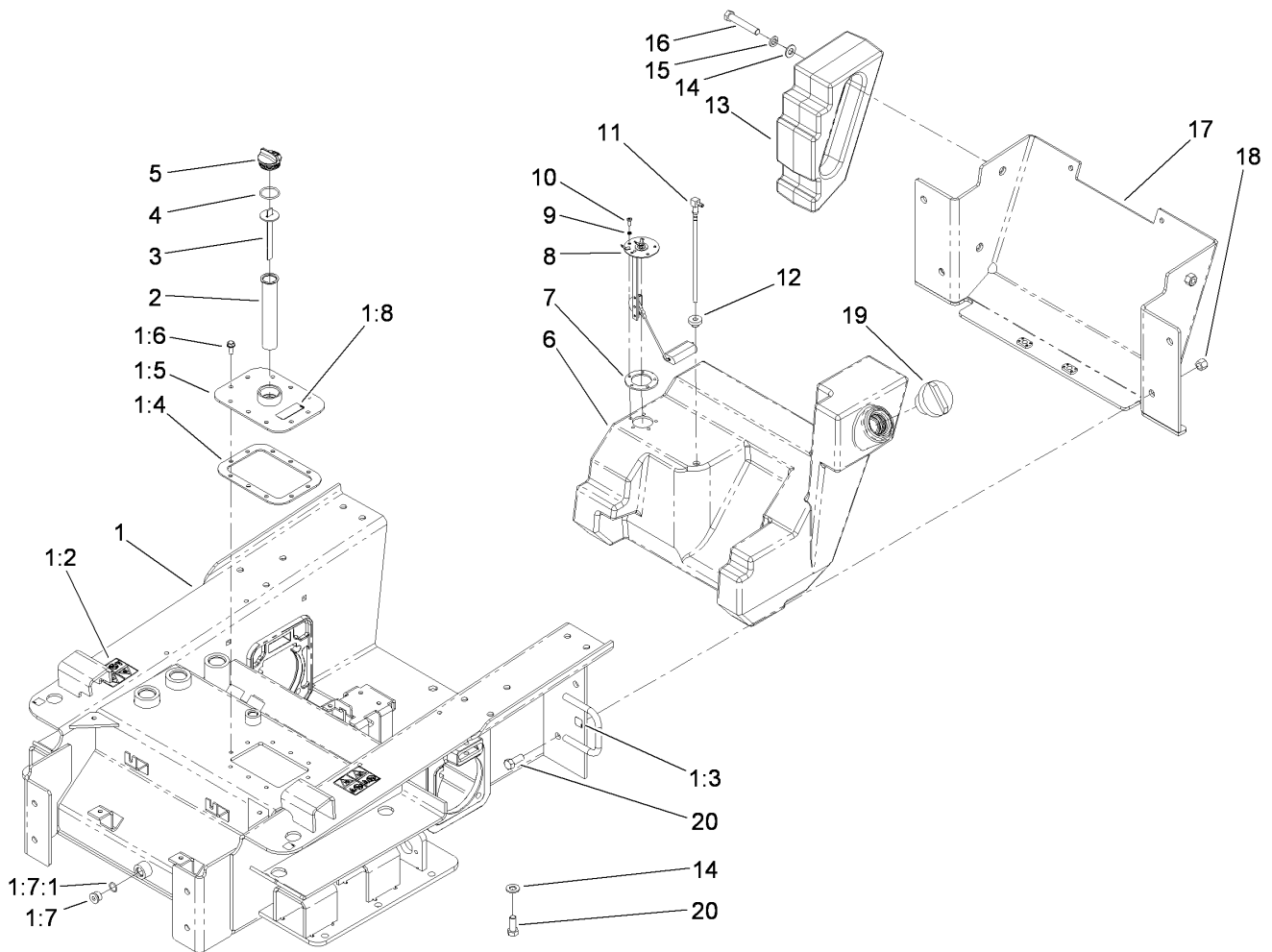
Reference Numbers Indicating Quantity

In an illustration, if a reference number indicates more than one part, the reference number has the form nX y. The n represents the quantity of the part, the X is the multiplication symbol, and the y represents the reference number.

For example, in an illustration, the reference number 2X 37 means that two of the parts identified by reference number 37 are indicated.

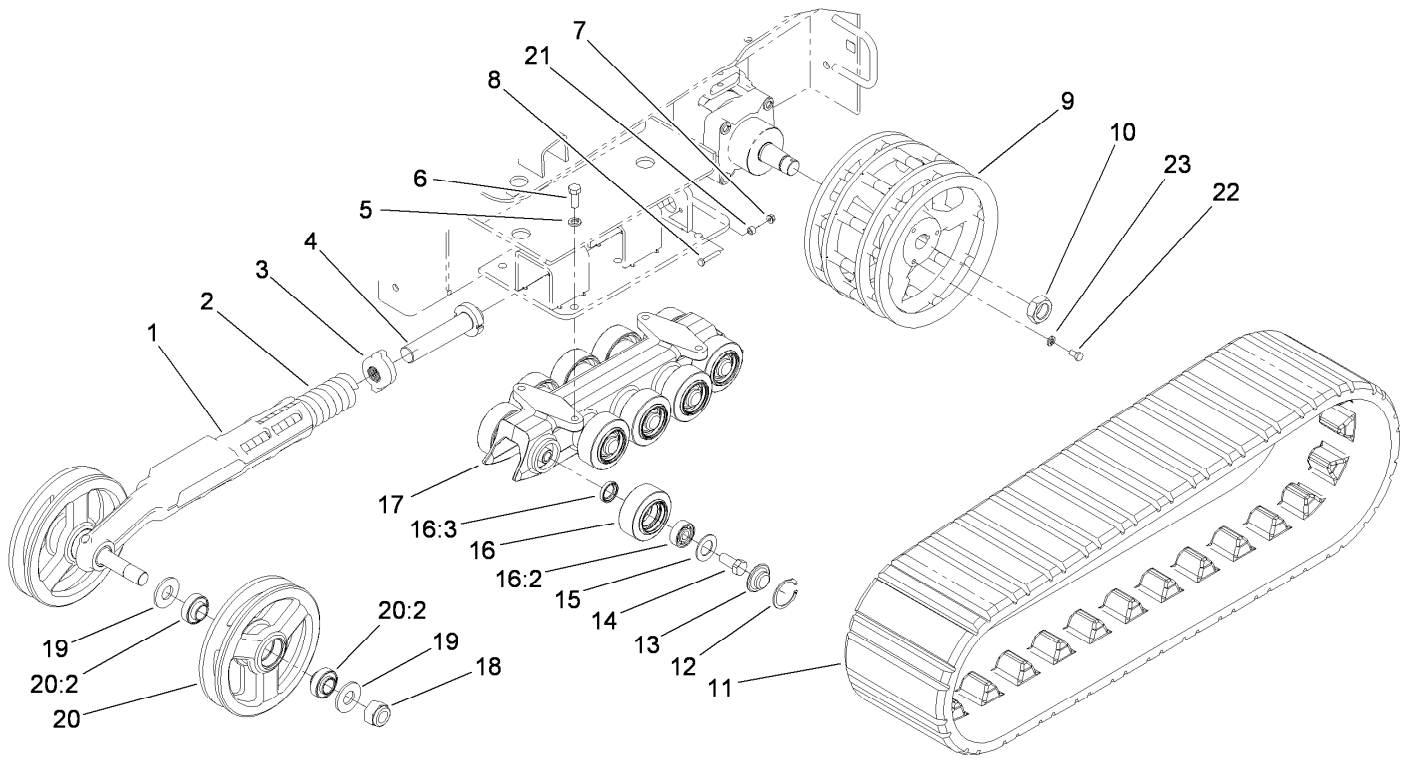
Contents

Main Frame and Fuel Tank Assembly	4
Track and Traction Assembly	5
Parking Brake Assembly	6
Loader Tower and Pulley Assembly	7
Traction Hydraulic Assembly	8
Hydraulic Pump Assembly No. 106-5705 and 106-5706	9
Hydraulic Motor Assembly No. 114-1756	10
Engine and Mount Assembly	11
Air Cleaner Assembly No. 99-3160	12
Hydraulic Pump and Filter Assembly	13
Hydraulic Gear Pump Assembly No. 106-7650	14
Control Panel Assembly	15
Traction Control Assembly	16
Principal Hydraulic Assembly	17
Two Spool Valve Assembly No. 106-9307	19
One Spool Valve Assembly No. 104-2831	20
Loader Arm Assembly	21
Loader Arm Hydraulic Assembly	22
Left Hand Hydraulic Lift Cylinder Assembly No. 104-6267	23
Right Hand Hydraulic Lift Cylinder Assembly No. 104-6269	24
Hydraulic Cylinder Assembly No. 105-8370	25
Quick Attach Assembly	26
Electrical System Assembly	27
Grill Assembly	28
Hydraulic Oil Cooler Assembly	29
Hood Assembly	30
Rear Access Cover Assembly	31
Crankshaft Assembly Kohler CH740-3126	32
Crankcase Assembly Kohler CH740-3126	33
Oil Pan and Lubrication Assembly Kohler CH740-3126	34
Head, Valve and Breather Assembly Kohler CH740-3126	36
Ignition and Electrical Assembly Kohler CH740-3126	38
Blower Housing and Baffle Assembly Kohler CH740-3126	39
Starting System Assembly Kohler CH740-3126	40
Fuel System Assembly Kohler CH740-3126	41
Engine Control Assembly Kohler CH740-3126	42
Air Intake and Filtration Assembly Kohler CH740-3126	43
Exhaust Assembly Kohler CH740-3126	44
Decal Set Kohler CH740-3126	45
Attachments and Accessories	46



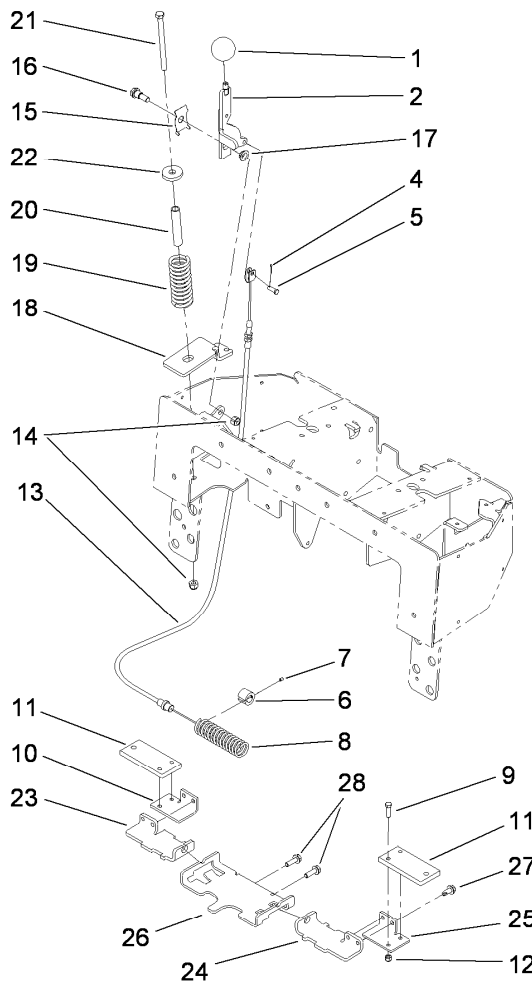
Main Frame and Fuel Tank Assembly

<i>Ref.</i>	<i>Part Number</i>	<i>Qty.</i>	<i>Description</i>	<i>Ref.</i>	<i>Part Number</i>	<i>Qty.</i>	<i>Description</i>
1	115-4846	1	Chassis ASM	7	113372	1	Gasket-Sender, Fuel
1:2	100-4650	2	Decal-Warning	8	100-1298	1	Sender-Fuel
1:3	93-9084	4	Decal-Point, Lift	9	3253-17	5	Washer-Lock
1:4	100-1253	1	Gasket-Cover, Access	10	3250-31	5	Screw-PPH
1:5	104-8389-01	1	Tank Cover ASM	11	98-0185	1	Pipe-Stand
1:6	98-9940	10	Screw-HHF	12	46-6560	1	Bushing
1:7	353-988	2	Plug-Hex	13	99-6165-01	2	Counterweight-Rear
1:7:1	237-79	1	O-Ring	14	3256-26	6	Washer-Flat
1:8	93-6686	1	Decal-Oil, HYD	15	3253-7	4	Washer-Lock
2	61-2790	1	Filter-Screen	16	325-12	4	Screw-HH
3	100-2097	1	Dipstick-Oil	17	115-4565-01	1	Cover-Rear
4	237-123	1	O-Ring	18	3296-23	4	Nut-Lock, NI
5	93-7498	1	Plug-Plastic	19	115-5304	1	Cap-Fuel
6	115-0799	1	Tank-Fuel	20	325-5	6	Screw-HH



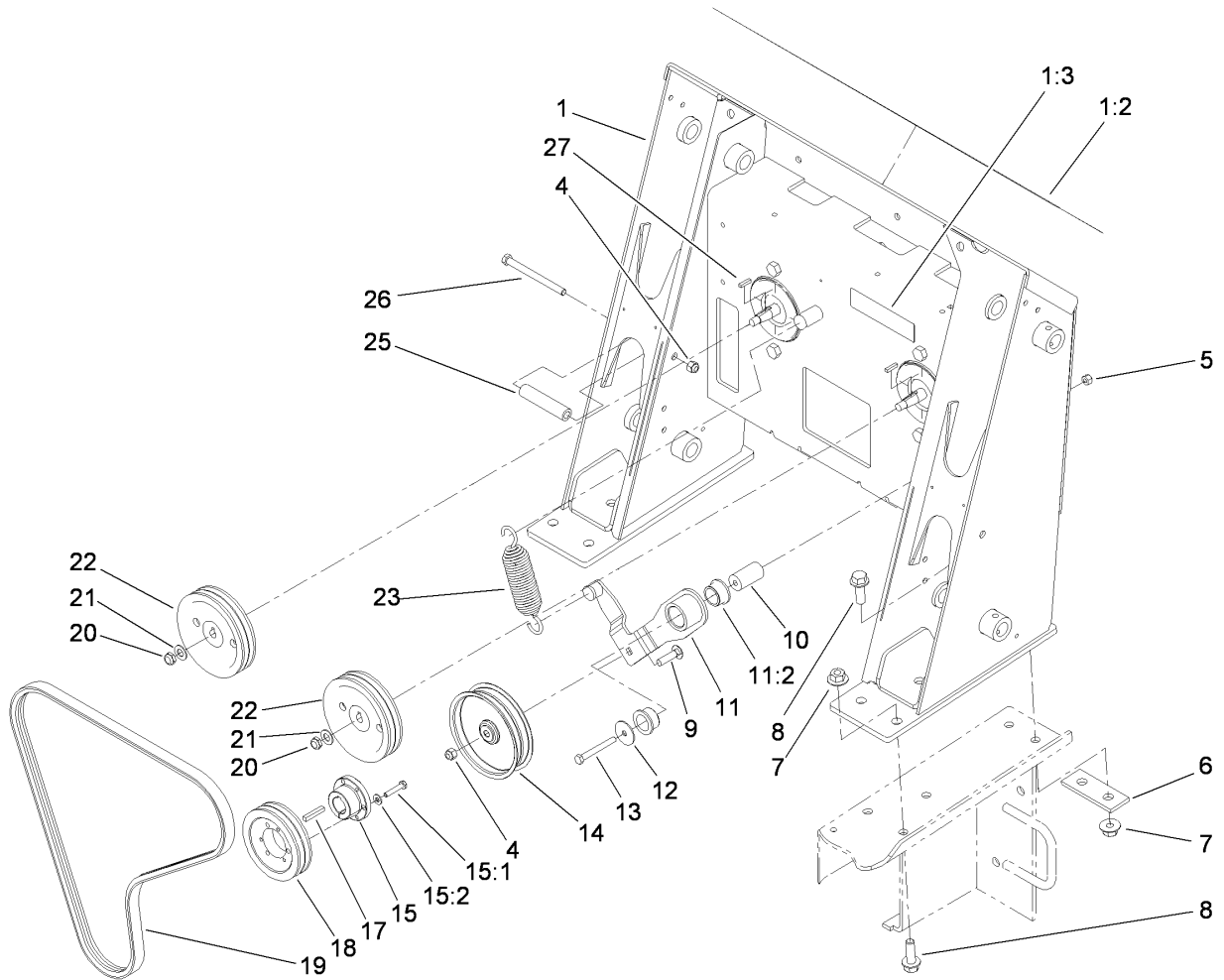
Track and Traction Assembly

<i>Ref.</i>	<i>Part Number</i>	<i>Qty.</i>	<i>Description</i>	<i>Ref.</i>	<i>Part Number</i>	<i>Qty.</i>	<i>Description</i>
1	115-0717-03	2	Arm-Tensioner	14	327-4	20	Screw-HH
2	95-3624	2	Spring-Compression	15	106-7585	20	Gasket-Bogie
3	108-4664	2	Block-Tensioner	16	106-7621	20	Road Wheel ASM
4	98-9846	2	Bolt-Tensioner	16:2	93-4237	1	Bearing
5	3253-7	8	Washer-Lock	16:3	253-118	1	Seal-Oil
6	325-5	8	Screw-HH	17	106-7592-03	2	Guide-Track
7	32128-32	2	Nut-HHF	18	104-2024	4	Nut-Hex, NI
8	321-37	2	Screw-HH	19	115-0722	8	Washer-Plain
9	115-0721-03	2	Wheel-Drive	20	104-6123	4	Tensioner Wheel ASM
10	107-9319	2	Nut-Hex	20:2	104-6129	2	Bearing-Ball
11	100-8931	2	Track	21	98-4799	2	Spacer
12	106-7595	20	Ring-Snap, Internal	22	323-34	6	Screw-HH
13	106-7557	20	Cap-Wheel, Bearing	23	3253-21	6	Washer-Lock



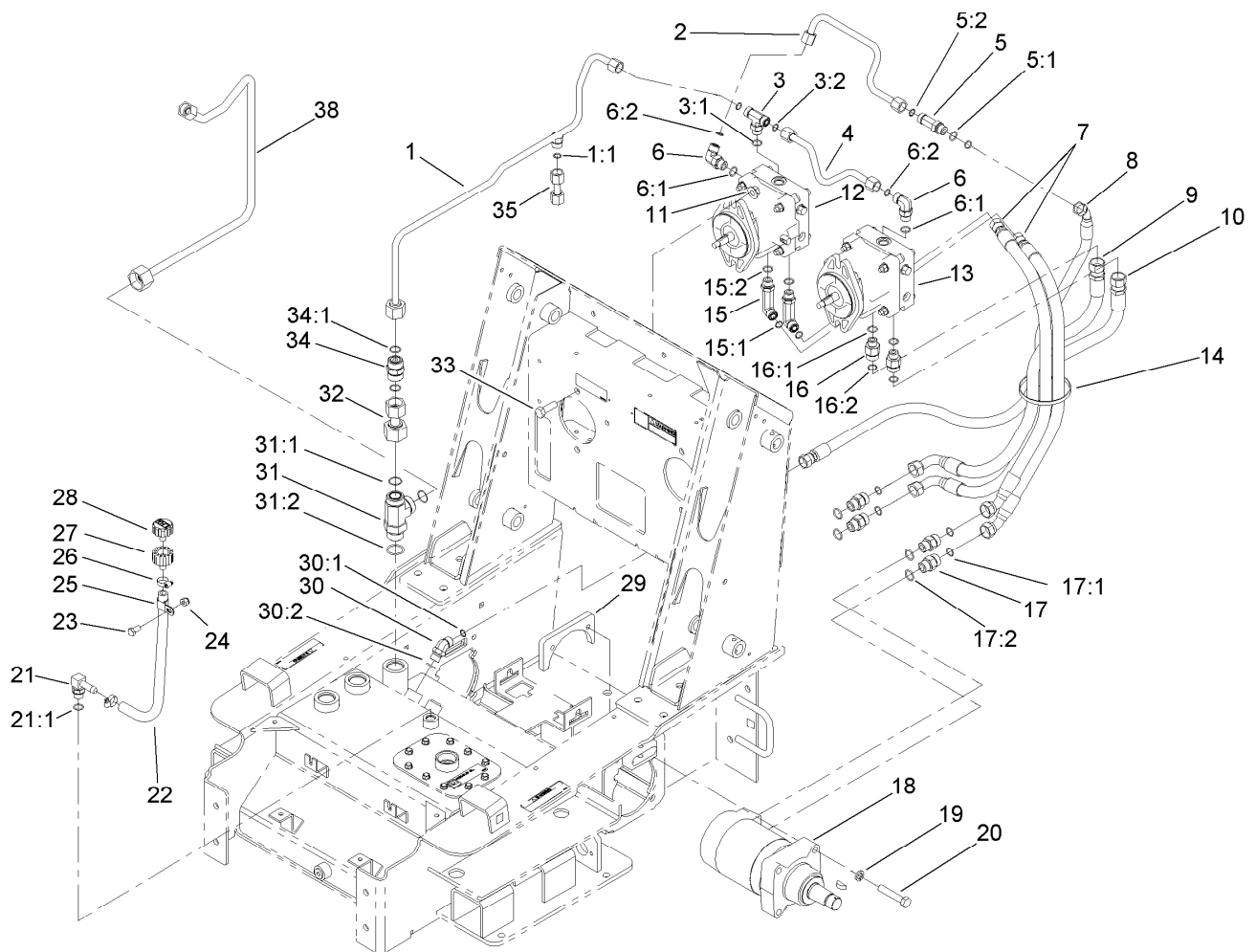
Parking Brake Assembly

<i>Ref.</i>	<i>Part Number</i>	<i>Qty.</i>	<i>Description</i>	<i>Ref.</i>	<i>Part Number</i>	<i>Qty.</i>	<i>Description</i>
1	233-21	1	Knob	16	94-6177	1	Bolt-Shoulder
2	112-2694-03	1	Handle-Brake	17	93-2368	1	Bushing-Flange
4	3272-1	1	Pin-Cotter	18	115-4854-03	1	Bracket-Cable, Spring
5	283-67	1	Pin-Clevis	19	114-1254	1	Spring-Compression
6	100-6274	2	Tube-Guide	20	114-1255	1	Spacer-Spring
7	3245-20	2	Screw-Set	21	323-21	1	Screw-HH
8	100-1678	1	Spring	22	98-0691	1	Washer-Hardened
9	321-6	4	Screw-HH	23	112-2788-03	1	Bracket-Mounting, Brake RH
10	112-2789-03	1	Bar-Link, Brake RH	24	112-2733-03	1	Bracket-Mounting, Brake LH
11	112-2735-03	2	Plate-Brake	25	112-2734-03	1	Bar-Link, Brake LH
12	3296-42	4	Nut-Lock, NI	26	110-0224-03	1	Support-Bar, Brake
13	112-2791	1	Cable-Brake	27	32104-32	4	Screw-HWH
14	3296-39	2	Nut-Lock, NI	28	3234-17	2	Screw-HHF
15	112-2695	1	Spring-Leaf				



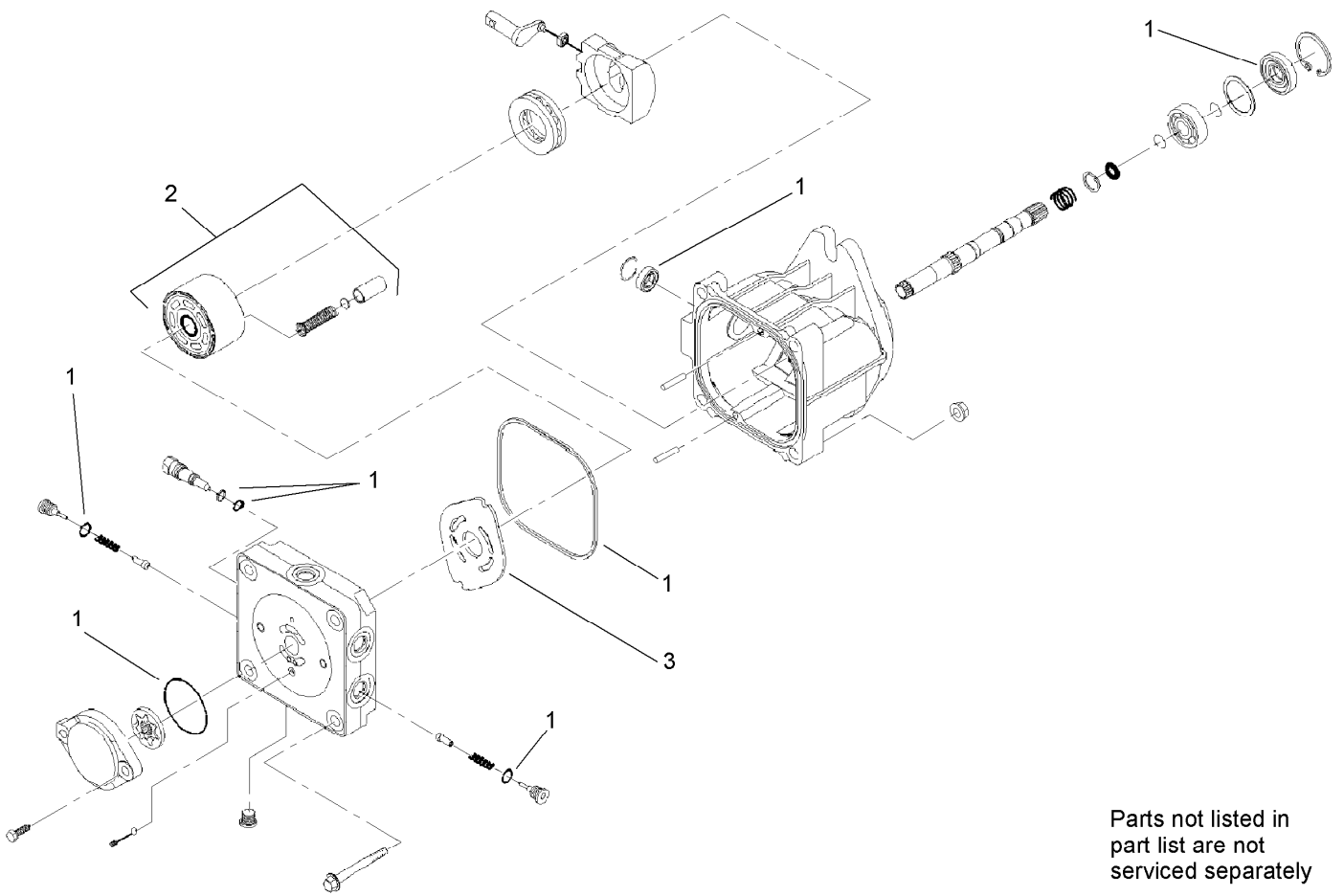
Loader Tower and Pulley Assembly

<i>Ref.</i>	<i>Part Number</i>	<i>Qty.</i>	<i>Description</i>	<i>Ref.</i>	<i>Part Number</i>	<i>Qty.</i>	<i>Description</i>
1	115-0758	1	Loader Tower ASM	14	95-3707	1	Pulley-Idler
1:2	115-4863	1	Decal-Panel, Control	15	61-3340	1	Bushing
1:3	93-7814	1	Decal-Danger	15:1	321-13	3	Screw-HH
4	3296-39	3	Nut-Lock, NI	15:2	3253-2	3	Washer-Lock
5	3296-29	1	Nut-Lock, NI	17	67-7490	1	Key-Square
6	100-6123-01	2	Plate-Stiffener	18	61-3330	1	Pulley
7	32128-52	10	Nut-Lock, Flange	19	95-3611	1	V-Belt
8	100-6116	10	Screw-HHF	20	3296-38	2	Nut-Lock, NI
9	3231-26	1	Screw-CARR	21	3256-25	2	Washer-Flat
10	104-5739	1	Spacer-Mounting	22	106-5710-03	2	Pulley
11	99-6167	1	Idler Arm ASM	23	105-0383	1	Spring-Extension
11:2	256-132	2	Bushing-Flange	25	100-1271	2	Tube-Spacer
12	3256-68	1	Washer-Flat	26	323-23	2	Screw-HH
13	322-13	1	Screw-HH	27	3-6168	2	Key



Traction Hydraulic Assembly

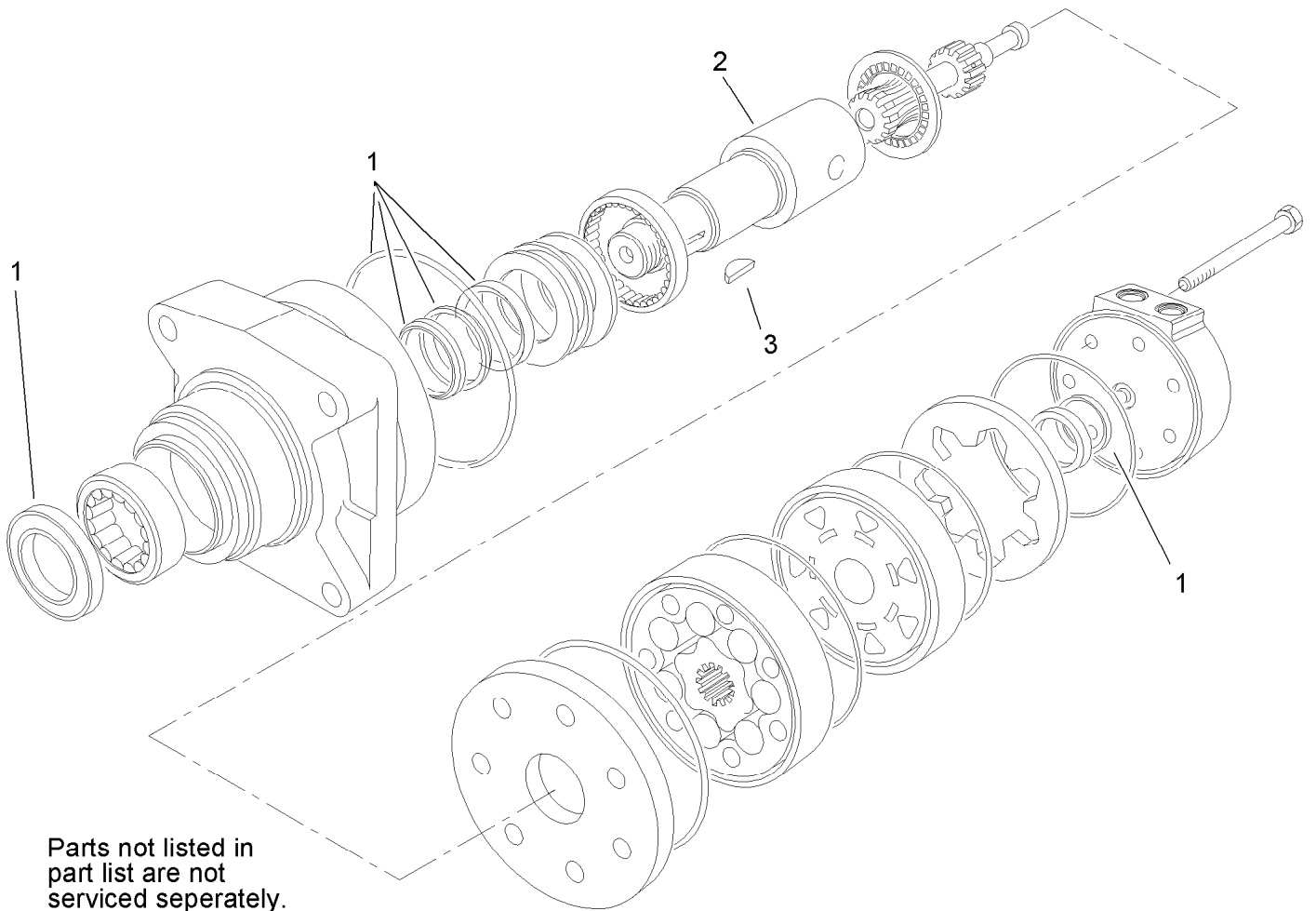
Ref.	Part Number	Qty.	Description	Ref.	Part Number	Qty.	Description
1	108-4665	1	HYD Tube ASM	17:1	237-65	1	O-Ring
1:1	237-30	1	O-Ring	17:2	237-80	1	O-Ring
2	98-0200	1	Tube-HYD	18	114-1756	2	HYD Motor ASM
3	340-157	1	Fitting-HYD, Tee	19	3253-7	8	Washer-Lock
3:1	237-79	1	O-Ring	20	115-4845	4	Screw-HH, TAP
3:2	237-30	2	O-Ring	21	354-120	1	Fitting-Elbow, 90
4	106-9330	1	Tube-HYD	21:1	237-79	1	O-Ring
5	340-109	1	Fitting-Tee	22	106-5709	1	Hose-Vent
5:1	237-79	1	O-Ring	23	3234-42	1	Screw-HHF
5:2	237-30	2	O-Ring	24	3296-39	1	Nut-Lock, NI
6	340-98	2	Fitting-Elbow, 90 DEG	25	2412-4	1	Clamp-R
6:1	237-79	1	O-Ring	26	2412-36	2	Clamp-Hose
6:2	237-30	1	O-Ring	27	92-8020	1	Adapter-Breather
7	98-0233	2	Hose-HYD	28	68-6150	1	Breather
8	98-0201	1	Hose-HYD	29	98-2763-03	2	Plate-Mounting
9	115-4826	1	Hose-HYD	30	340-101	1	Fitting-HYD, 45 DEG
10	115-4829	1	Hose-HYD	30:1	237-30	1	O-Ring
11	32128-23	4	Nut-HF	30:2	237-79	1	O-Ring
12	106-5706	1	RH HYD Pump ASM	31	104-3795	1	Fitting-Tee
13	106-5705	1	LH HYD Pump ASM	31:1	340-65	2	O-Ring
14	3334-945	1	Tie-Cable	31:2	237-146	1	O-Ring
15	99-6160	2	Fitting-Elbow, 90 Long	32	105-0226	1	Tube-HYD
15:1	237-30	1	O-Ring	33	325-6	4	Screw-HH
15:2	237-79	1	O-Ring	34	99-6161	1	HYD Check Valve ASM
16	340-155	2	Fitting-Straight	34:1	237-58	2	O-Ring
16:1	237-79	1	O-Ring	35	108-4666	1	Tube-HYD
16:2	237-151	1	O-Ring	38	106-9332	1	HYD Tube ASM
17	340-7	4	Fitting-Straight				



Parts not listed in
part list are not
serviced separately

Hydraulic Pump Assembly No. 106-5705 and 106-5706

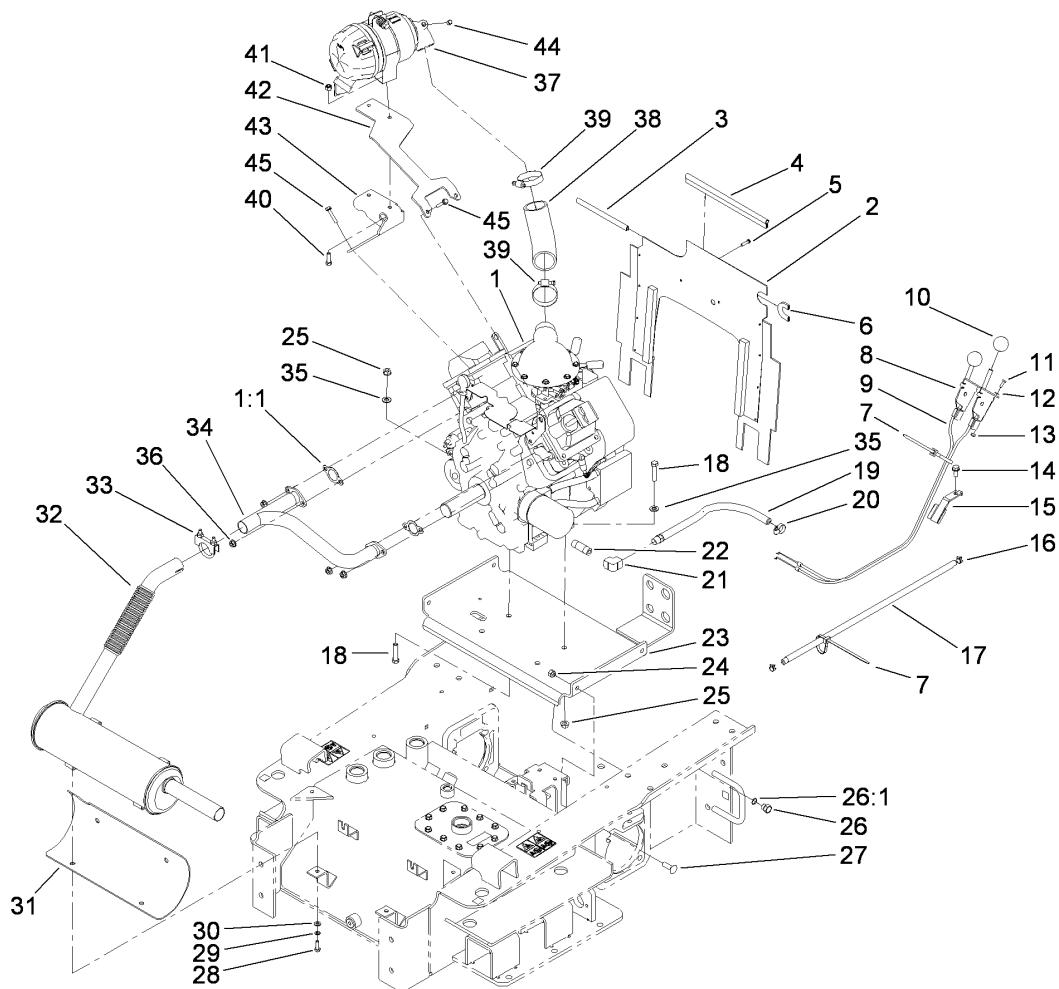
<i>Ref.</i>	<i>Part Number</i>	<i>Qty.</i>	<i>Description</i>
1	100-6110	1	Overhaul Seal Kit
2	94-1913	1	Cylinder Block ASM
3	100-6112	1	Plate-Valve



Parts not listed in
part list are not
serviced seperately.

Hydraulic Motor Assembly No. 114-1756

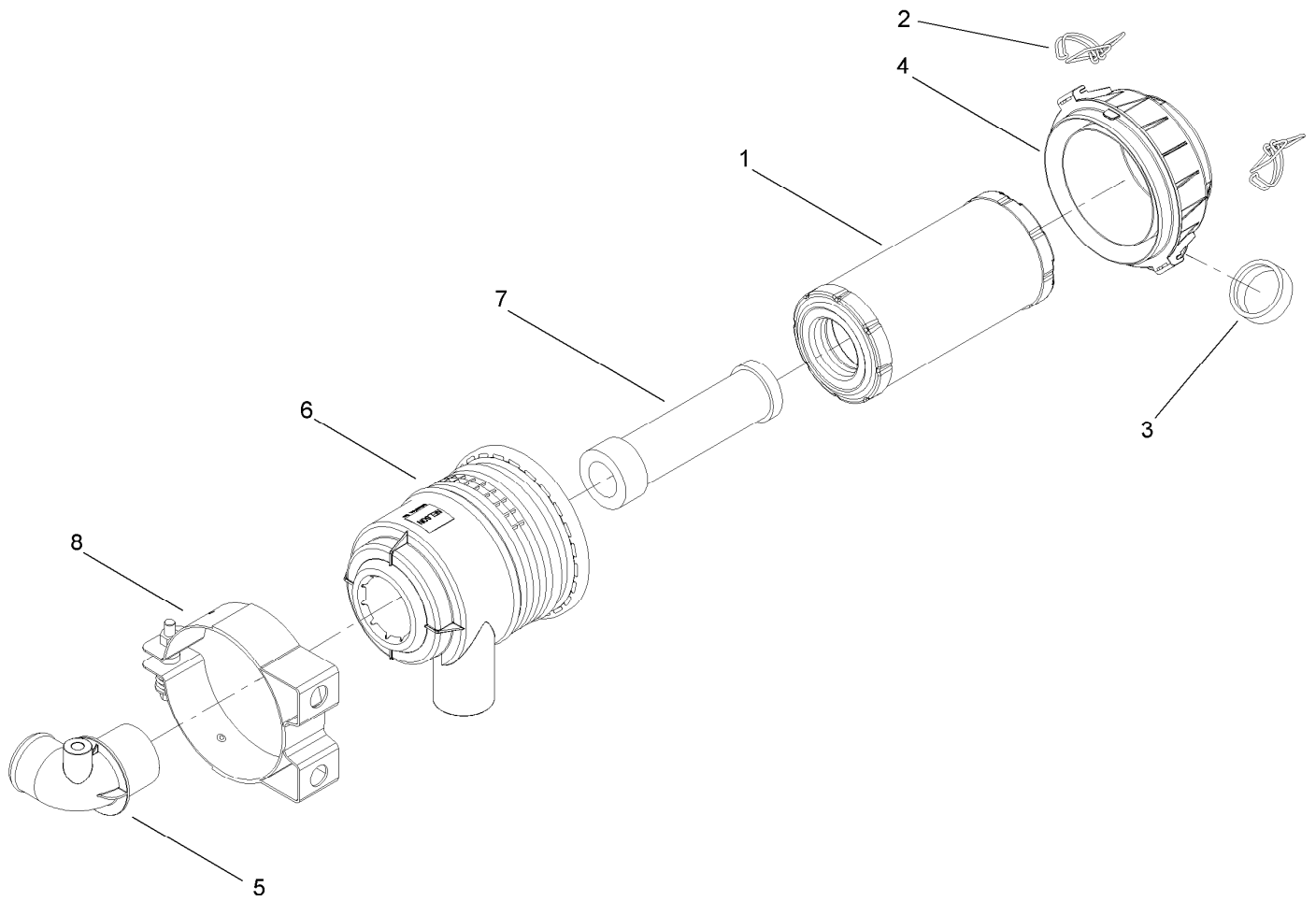
<i>Ref.</i>	<i>Part Number</i>	<i>Qty.</i>	<i>Description</i>
1	100-6131	1	Seal Kit
2	106-7645	1	Coupling-Shaft
3	3257-42	1	Key-Woodruff



Engine and Mount Assembly

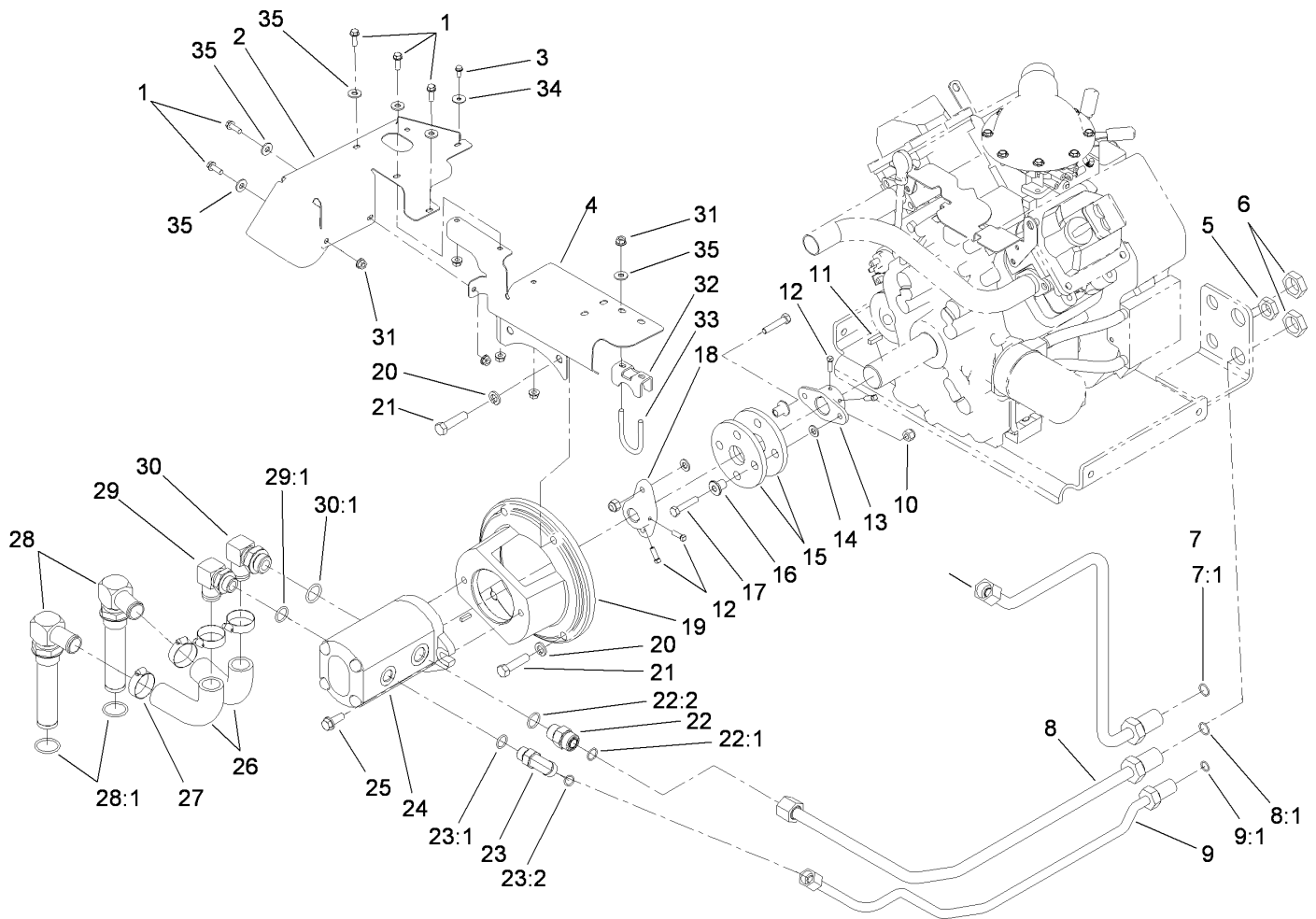
Ref.	Part Number	Qty.	Description	Ref.	Part Number	Qty.	Description
1		1	Engine-Kohler, Ch740-3126	24	3296-39	4	Nut-Lock, NI
1:1	93-0350	2	Gasket-Exhaust	25	32128-21	4	Nut-HF Lock
2	114-8725	1	Baffle-Engine	26	353-508	1	Plug-HH
3	105-0378	1	Seal-Strip, 6.5 Inch	26:1	237-42	1	O-Ring
4	115-4837	1	Strip-Seal, 10.5 Inch	27	3231-28	4	Screw-CARR
5	32144-36	2	Screw-PPH	28	321-5	4	Screw-HH
6	105-0377	1	Seal-Strip, 3 Inch	29	3253-3	4	Washer-Lock
7	3290-378	2	Tie-Cable	30	3256-78	4	Washer-Flat
8	108-9730	2	Lever-Control	31	98-2762	1	Shield-Heat, Muffler
9	108-4679	2	Cable-Throttle/Choke	32	105-0249	1	Muffler
10	233-42	2	Knob	33	2112-11	1	Clamp-Muffler
11	3290-134	4	Screw	34	110-0150	1	Manifold-Crossover
12	3256-51	4	Washer-Flat	35	48-9220	4	Washer-Flat
13	3296-2	4	Nut-Lock, NI	36	112-2844	4	Nut-HF
14	32144-11	1	Screw-HWH	37	99-3160	1	Air Cleaner ASM
15	100-1299-03	1	Guide-Cable	38	114-8734	1	Hose-Air Cleaner
16	2412-98	2	Clamp-Hose	39	2412-92	2	Clamp-Hose
17	109-0301	1	Hose-Fuel	40	322-5	2	Screw-HH
18	323-53	4	Screw-HH	41	3296-29	2	Nut-Lock, NI
19	100-1256	1	Oil Hose ASM	42	115-4850-03	1	Bracket-Left Support, Air Filter
20	2412-36	1	Clamp-Hose	43	115-4851-03	1	Bracket-Right Support, Air Filter
21	94-9650	1	Elbow-90 DEG	44	285-17	1	Plug-Pipe
22	289-42	1	Nipple	45	33103-035	4	Screw-HHF
23	114-1288-03	1	Plate-Mounting, Engine				

● Obtain parts from www.kohlerplus.com



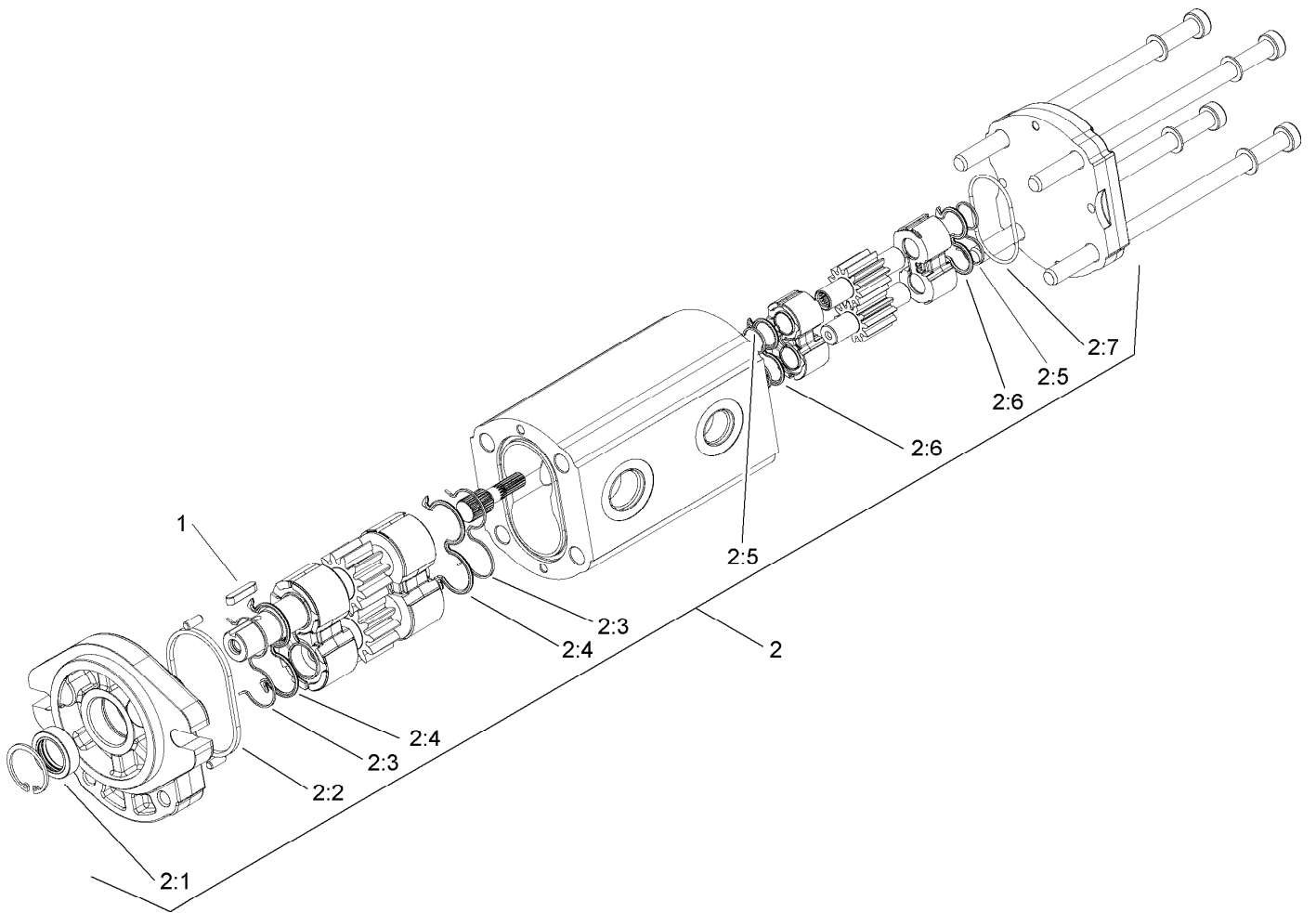
Air Cleaner Assembly No. 99-3160

<i>Ref.</i>	<i>Part Number</i>	<i>Qty.</i>	<i>Description</i>
1	99-3173	1	Element-Filter, Air
2	99-3174	2	Clip-Cleaner, Air
3	99-3175	1	Valve-Ejector, Dust
4	99-3176	1	Cover
5	99-3183	1	Tube ASM
6	99-3184	1	Housing
7	99-3198	1	Filter-Safety
8	99-3197	1	Mounting Bracket ASM



Hydraulic Pump and Filter Assembly

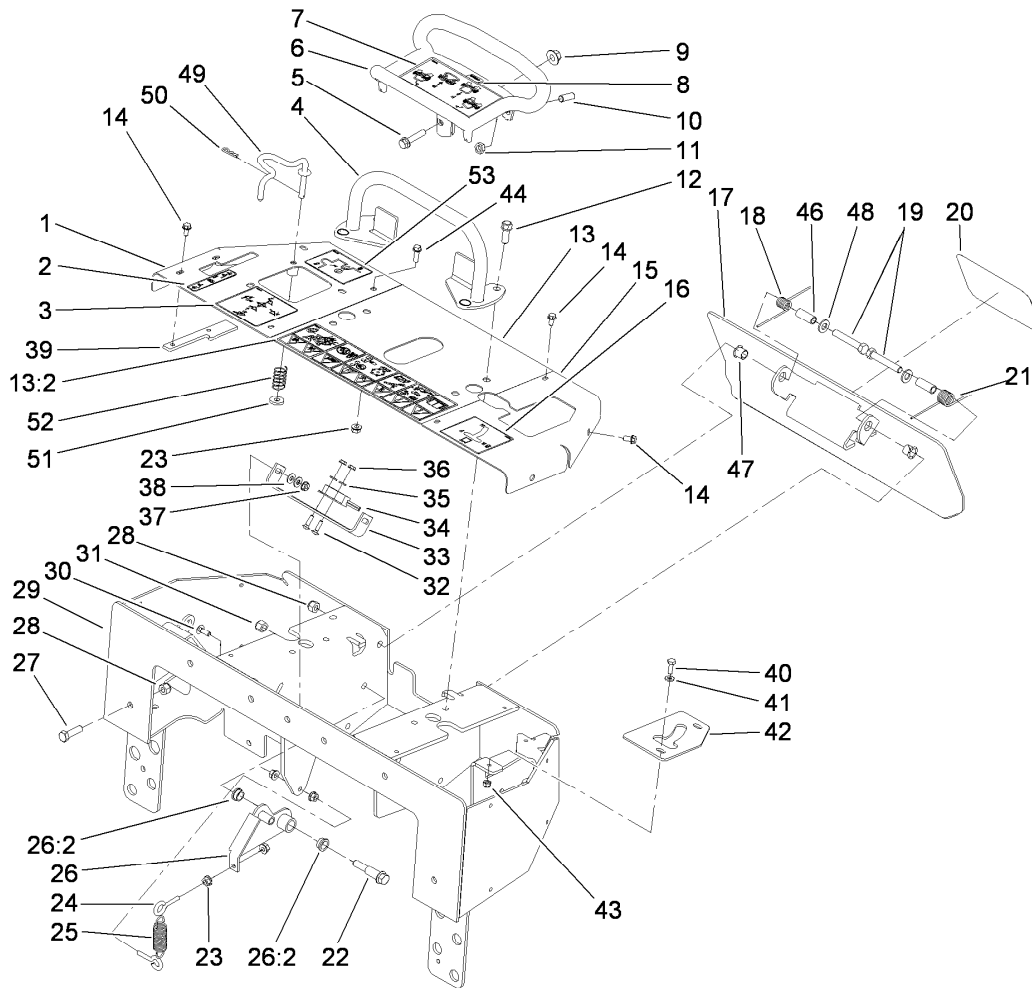
Ref.	Part Number	Qty.	Description	Ref.	Part Number	Qty.	Description
1	32105-15	5	Screw-HWH	21	324-7	4	Screw-HH
2	112-2667	1	Shield-Heat	22	340-7	1	Fitting-Straight
3	32144-112	1	Screw-HWH	22:1	237-65	1	O-Ring
4	112-2666	1	Shield-Heat	22:2	237-80	1	O-Ring
5	340-127	1	Nut-Bulkhead	23	340-98	1	Fitting-Elbow, 90 DEG
6	340-74	2	Nut-Lock, Bulkhead	23:1	237-79	1	O-Ring
7	106-9333	1	HYD Tube ASM	23:2	237-30	1	O-Ring
7:1	237-65	1	O-Ring	24	106-7650	1	HYD Pump ASM
8	98-2783	1	HYD Tube ASM	25	66-9300	2	Screw-HHF
8:1	237-65	1	O-Ring	26	105-0201	2	Hose-Suction, Formed
9	106-9393	1	HYD Tube ASM	27	2412-34	4	Clamp-Hose
9:1	237-30	1	O-Ring	28	105-0204	2	Strainer Fitting ASM
10	3296-29	4	Nut-Lock, NI	28:1	237-146	1	O-Ring
11	10-7070	1	Key-Square	29	61-2710	1	Stem-Hose, 90 DEG
12	3241-6	4	Screw-SQH	29:1	237-117	1	O-Ring
13	110-5236	1	Hub-Engine	30	100-4202	1	Fitting-90
14	3256-23	4	Washer-Plain	30:1	237-81	1	O-Ring
15	115-4523	2	Coupling-Rubber	31	32128-32	7	Nut-HHF
16	71-4411	4	Spacer	32	112-2688	1	Clamp-Pipe
17	322-8	4	Screw-HH	33	112-2689	1	U-Bolt
18	110-9695	1	Hub-Pump	34	3256-61	1	Washer-Flat
19	98-2751-03	1	Mount-Pump	35	3256-2	7	Washer-Flat
20	3253-6	4	Washer-Lock				



Hydraulic Gear Pump Assembly No. 106-7650

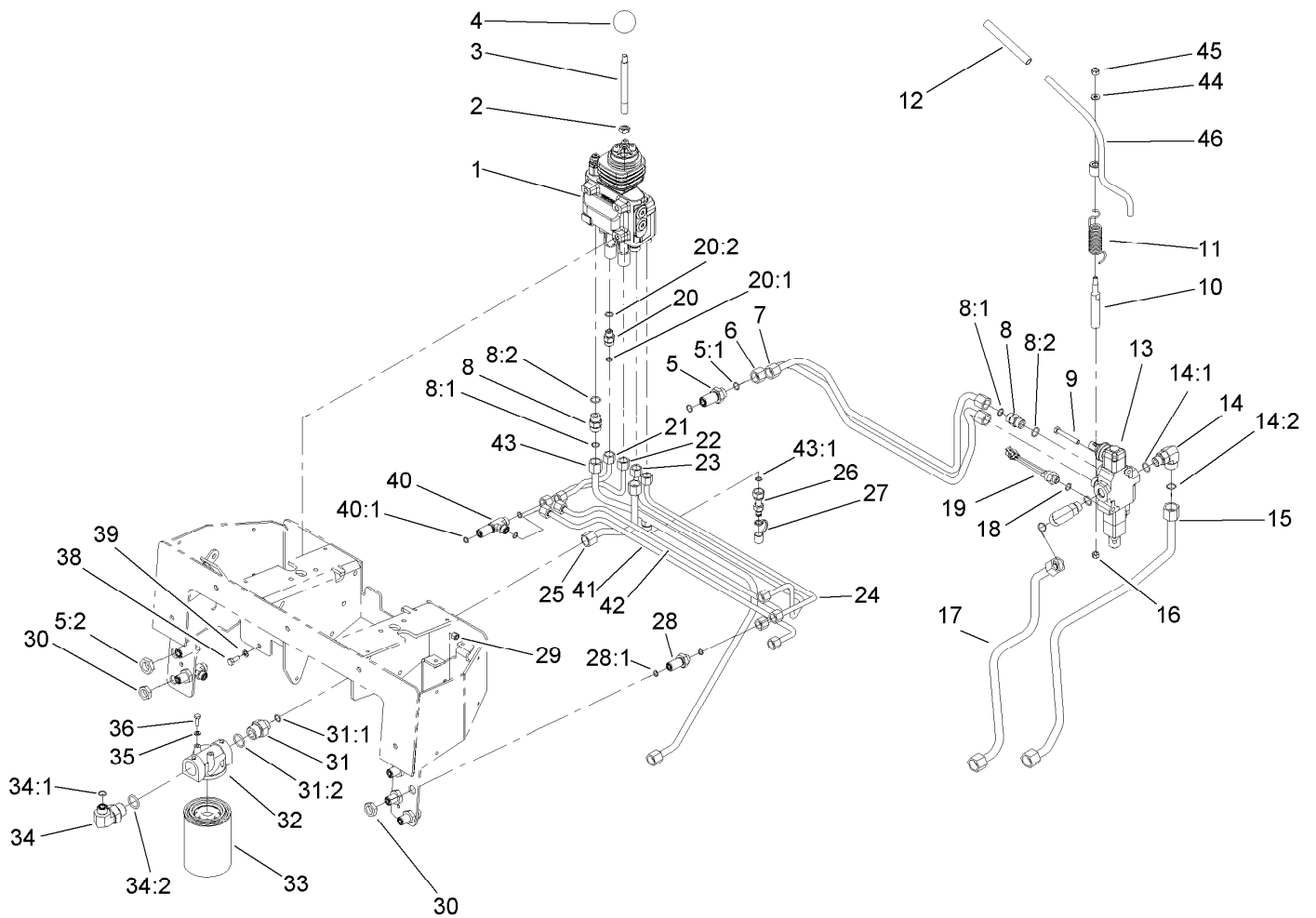
<i>Ref.</i>	<i>Part Number</i>	<i>Qty.</i>	<i>Description</i>
1	100-4238	1	Key-Square
2	107-9316	1	Seal Kit
2:1		1	Seal-Shaft ●
2:2		1	Seal-Square ●
2:3		2	Ring-Backup ●
2:4		2	Seal-Gear ●
2:5		2	Ring-Backup ●
2:6		2	Seal-Gear, Rear ●
2:7		1	O-Ring ●

● Not serviced separately



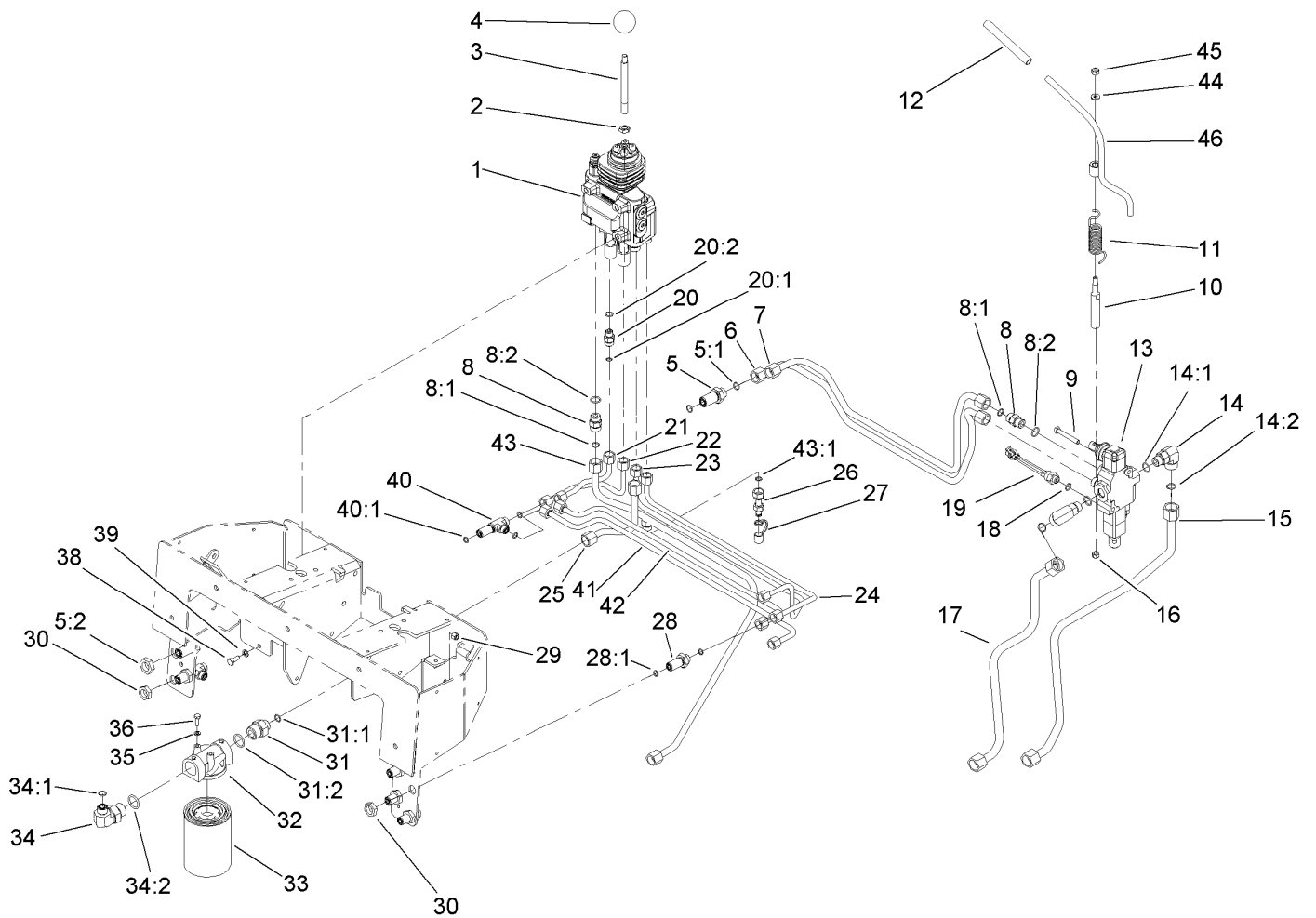
Control Panel Assembly

Ref.	Part Number	Qty.	Description	Ref.	Part Number	Qty.	Description
1	115-4836-01	1	Panel-RH	26:2	256-156	2	Bushing-Flange
2	115-4859	1	Decal-Brake	27	323-7	5	Screw-HH
3	115-4857	1	Decal-Control, Loader	28	3296-39	7	Nut-Lock, NI
4	106-7715	1	Bar-Reference	29	110-0228-01	1	Panel-Control
5	3234-18	1	Screw-HHF	30	3229-1	2	Screw-CARR
6	106-7614-03	1	Handle-Control	31	3296-6	1	Nut-Lock
7	115-4020	1	Decal-Traction	32	3229-20	2	Screw-CARR
8	98-1459	1	Decal	33	100-1263	1	Plate-Switch
9	32128-43	1	Nut-Flange	34	100-1270	1	Switch-Proximity
10	3247-6	2	Screw-Set	35	3256-51	2	Washer-Flat
11	3218-3	2	Nut-Jam	36	32149-7	2	Nut-Keps
12	95-1726	4	Screw-Taptite	37	32149-2	2	Nut-Keps
13	108-4643	1	Center Panel ASM	38	3256-22	4	Washer-Flat
13:2	115-4860	1	Decal-Danger	39	112-2691-01	1	Plate-Locking, Brake
14	9266714	9	Screw-HWH	40	321-4	2	Screw-HH
15	112-2737-01	1	Panel-LH	41	3256-16	2	Washer-Flat
16	115-4861	1	Decal-Control, Auxiliary	42	112-2749-01	1	Plate-Stop
17	112-2786-03	1	Plate-Reverse	43	3296-42	2	Nut-Lock, NI
18	98-8425	1	Spring-Torsion, LH	44	32105-15	1	Screw-HWH
19	323-11	2	Screw-HH	46	114-1337	2	Spacer-Spring
20	105-1217	1	Decal	47	256-257	2	Bushing-Nyliner
21	98-8424	1	Spring-Torsion, RH	48	3256-24	2	Washer-Plain
22	66-0560	1	Bolt-Shoulder	49	115-4580	1	Rod-Interlock
23	32128-32	5	Nut-HHF	50	3290-307	1	Pin-Cotter
24	71-2870	2	Bolt-Eye	51	88-7200	1	Washer-Flat
25	108-4724	1	Spring-Extension	52	85-6750	1	Spring-Control
26	100-4203	1	Neutral Centering Lever ASM	53	115-4862	1	Decal-Loader Lock



Principal Hydraulic Assembly

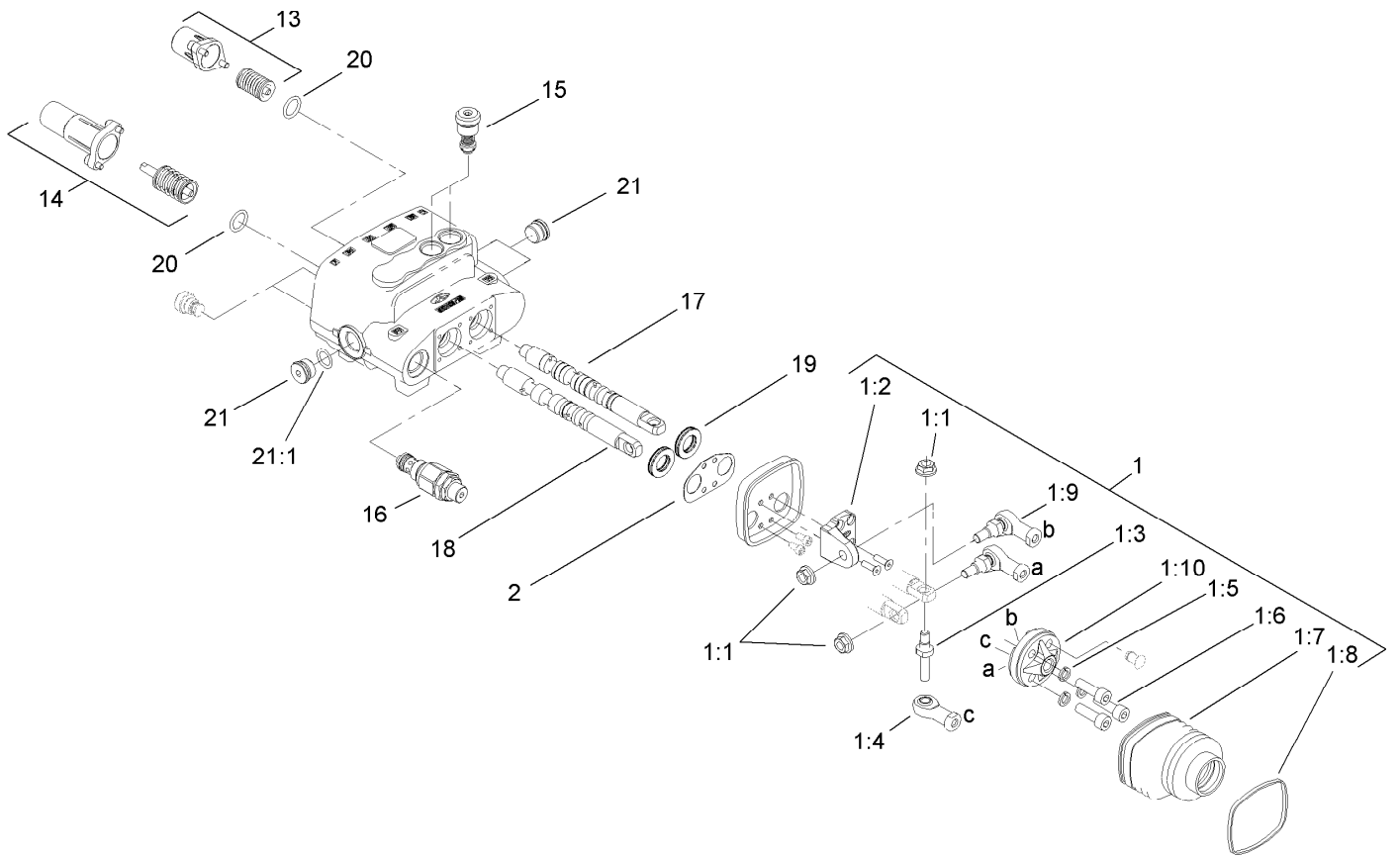
Ref.	Part Number	Qty.	Description	Ref.	Part Number	Qty.	Description
1	106-9307	1	2 Spool Valve ASM	20:2	237-42	1	O-Ring
2	51-2070	1	Nut	21	106-9315	1	Tube-HYD
3	108-4675	1	Shaft-Handle, Loader	22	106-9313	1	Tube-HYD
4	233-21	1	Knob	23	106-9312	1	Tube-HYD
5	340-161	2	Fitting-Bulkhead	24	106-9314	1	Tube-HYD
5:1	237-30	2	O-Ring	25	106-9385	1	Tube-HYD
5:2	340-127	1	Nut-Bulkhead	26	86-5480	1	Nipple-Test
6	106-9310	1	Tube-HYD	27	354-79	1	Cap-Dust
7	106-9311	1	Tube-HYD	28	340-71	4	Fitting-Straight, Bulkhead
8	340-4	4	Fitting-Straight	28:1	237-22	2	O-Ring
8:1	237-30	1	O-Ring	29	3296-29	2	Nut-Lock, NI
8:2	237-79	1	O-Ring	30	340-70	6	Nut-Lock
9	322-11	2	Screw-HH	31	100-4240	1	Fitting-STR
10	104-2827	1	Spacer-Hiflo	31:1	237-30	1	O-Ring
11	112-2738	1	Spring-Torsion	31:2	237-81	1	O-Ring
12	112-2605	1	Grip-Rubber	32	92-5821	1	Head-Filter
13	104-2831	1	1 Spool Valve ASM	33	86-3010	2	Filter-Oil
14	340-153	2	Fitting-Elbow, 90 DEG	34	340-131	1	Fitting-HYD, 90 DEG
14:1	237-79	1	O-Ring	34:1	237-30	1	O-Ring
14:2	237-151	1	O-Ring	34:2	237-81	1	O-Ring
15	106-9309	1	Tube-HYD	35	3253-3	2	Washer-Lock
16	48-7740	1	Screw	36	321-4	2	Screw-HH
17	104-5707	1	Tube-HYD	38	322-3	3	Screw-HH
18	237-42	1	O-Ring	39	3253-4	3	Washer-Lock
19	72-4310	1	Switch-Ball	40	340-68	2	Fitting-Tee, Bulkhead
20	340-2	4	Fitting-Straight	40:1	237-22	3	O-Ring
20:1	237-22	1	O-Ring	41	106-9316	1	Tube-HYD
				42	106-9317	1	Tube-HYD



Principal Hydraulic Assembly (continued)

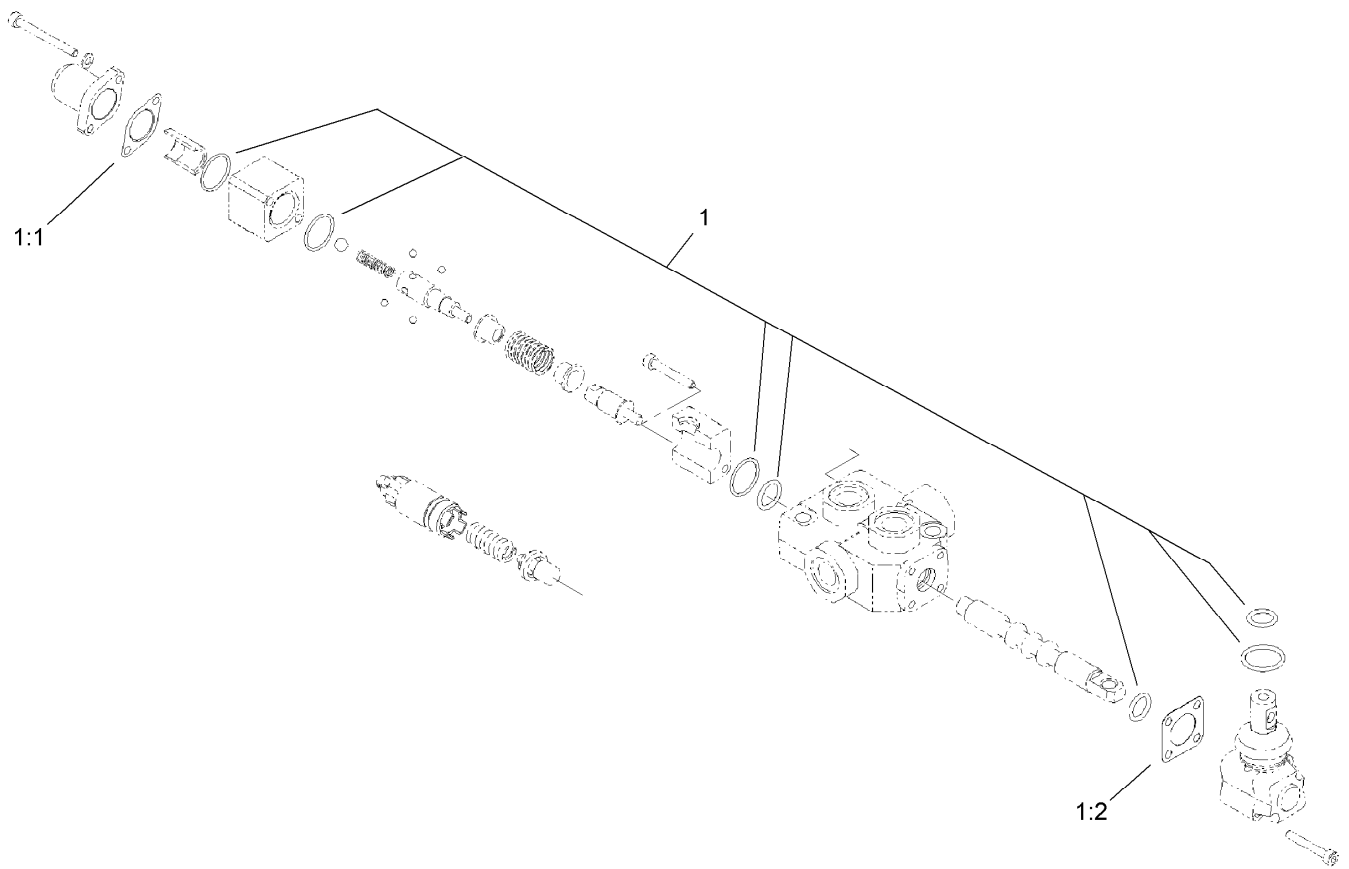
<i>Ref.</i>	<i>Part Number</i>	<i>Qty.</i>	<i>Description</i>
43	106-9387	1	HYD Tube ASM
43:1	237-22	1	O-Ring
44	3256-16	1	Washer-Flat

<i>Ref.</i>	<i>Part Number</i>	<i>Qty.</i>	<i>Description</i>
45	3296-42	1	Nut-Lock, NI
46	112-2739	1	Lever-Auxiliary



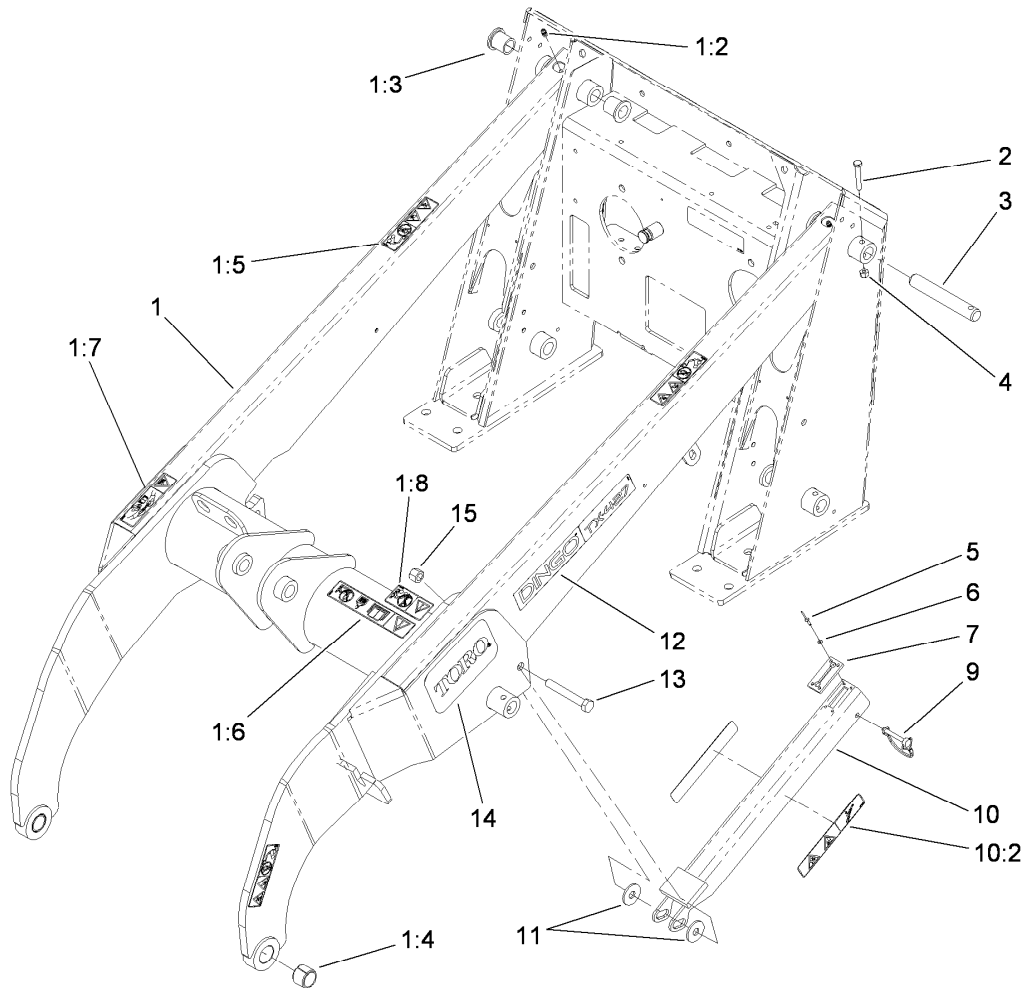
Two Spool Valve Assembly No. 106-9307

Ref.	Part Number	Qty.	Description
1	106-7724	1	Joystick Kit
1:1	98-0668	3	Nut
1:2	106-7726	1	Pivot-Joystick
1:3	106-7727	1	Pin-Joystick
1:4	106-7728	1	End-Rod
1:5	42-9850	3	Washer-Lock, Spring
1:6	98-5828	3	Screw-HSH
1:7	106-7729	1	Bellow-Rubber
1:8	3290-379	1	Tie-Cable
1:9	106-7730	2	Joint-Joystick
1:10	106-7731	1	Holder-Articulated
2	106-7725	1	Seal-Joystick
13	106-7732	1	Valve Spring Kit
14	106-7733	1	Detent Spring Kit
15	106-7734	2	Valve-Relief
16	106-7735	1	Valve-Relief, Main
17	106-7736	1	Spool-Valve
18	106-7737	1	Spool-Valve
19	106-7738	2	Seal-Valve, Spool
20	106-7719	2	Seal-Valve
21	353-988	3	Plug-Hex
21:1	237-79	1	O-Ring



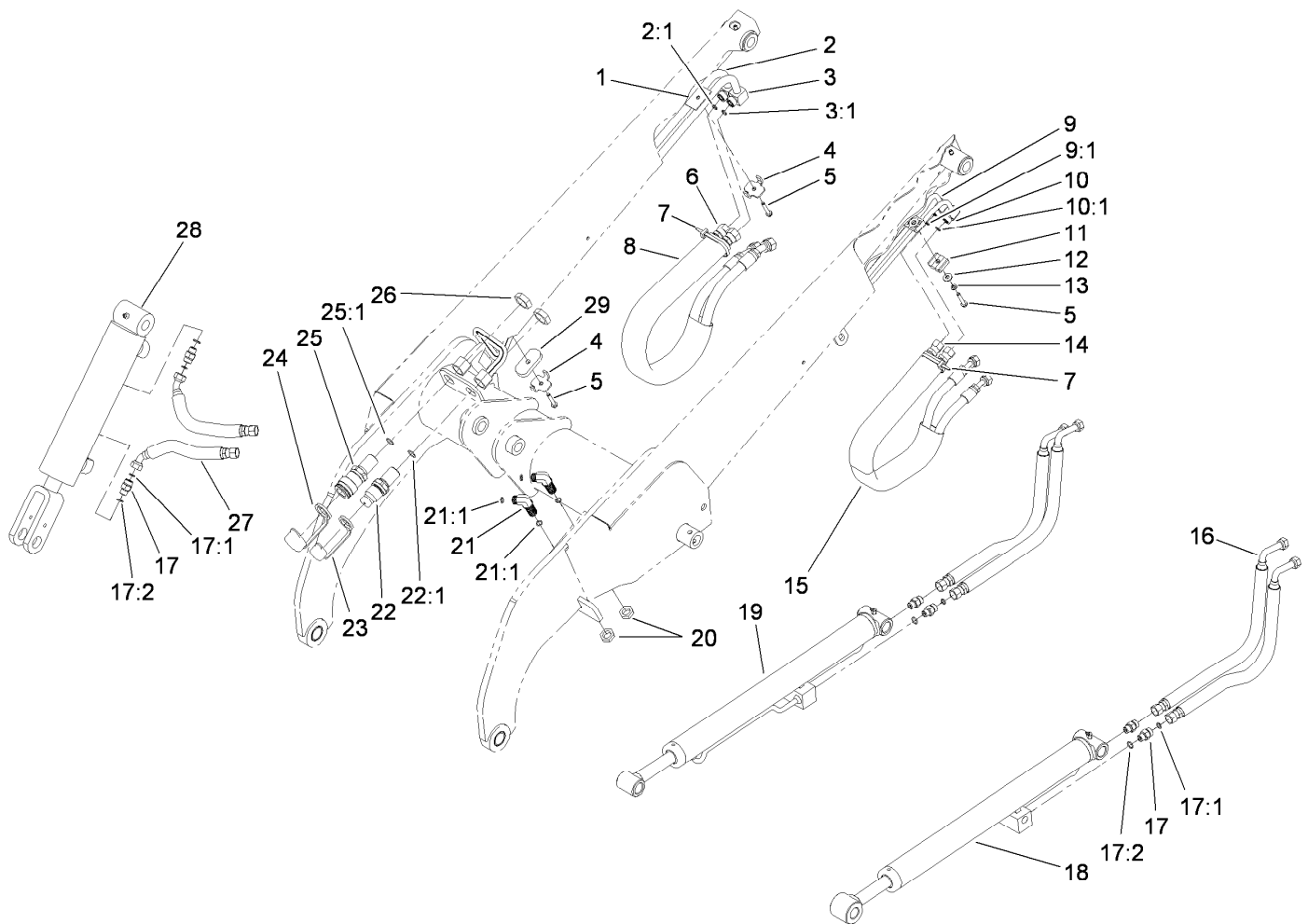
One Spool Valve Assembly No. 104-2831

<i>Ref.</i>	<i>Part Number</i>	<i>Qty.</i>	<i>Description</i>
1	99-4391	1	Seal Kit
1:1	99-3074	1	Gasket
1:2	99-3075	3	Gasket



Loader Arm Assembly

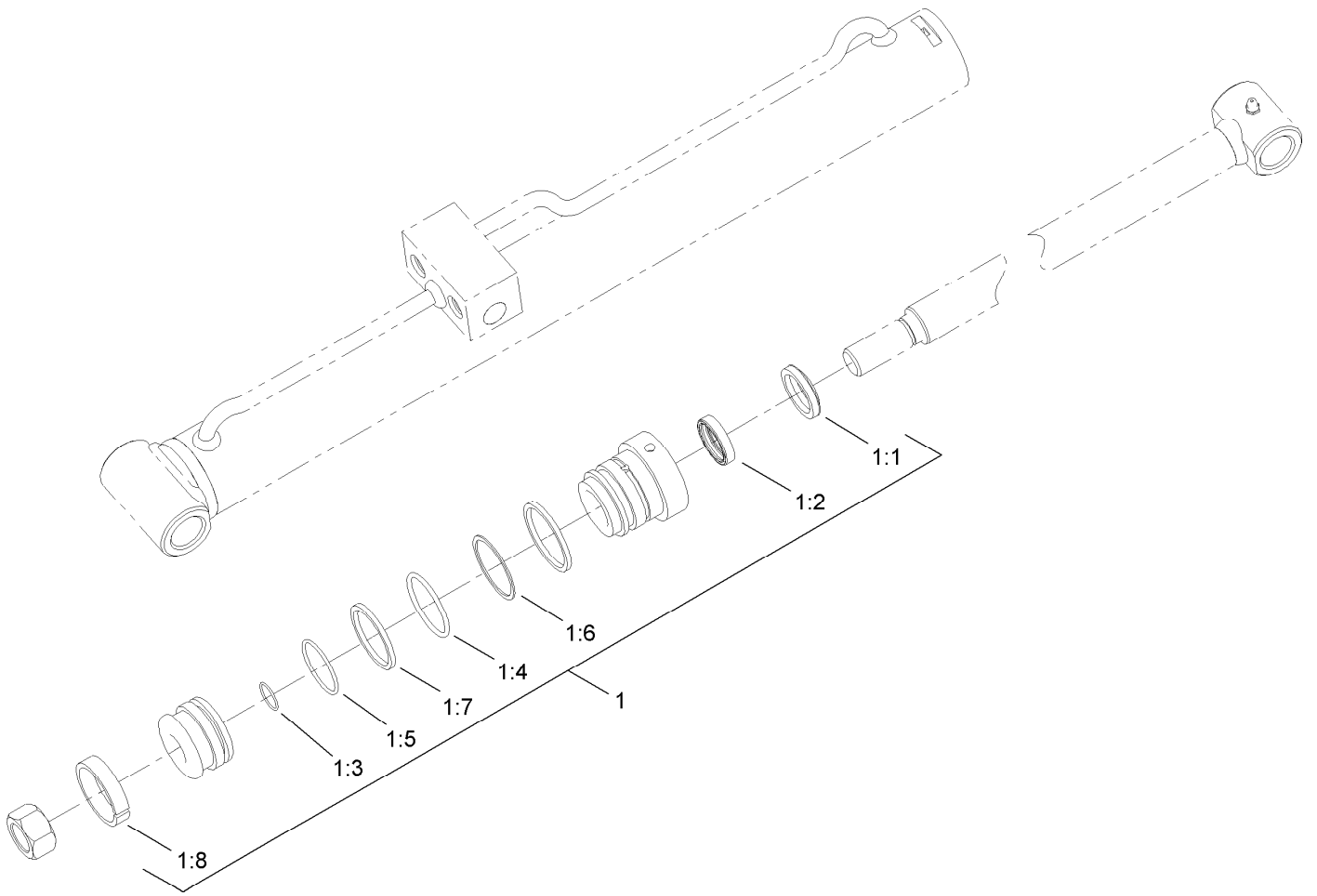
<i>Ref.</i>	<i>Part Number</i>	<i>Qty.</i>	<i>Description</i>
1	108-4638	1	Loader Arm ASM
1:2	302-5	2	Fitting-Grease
1:3	95-3577	4	Bushing
1:4	98-4871	2	Bushing-Tension
1:5	100-8821	4	Decal-Warning, Pinch
1:6	115-4856	1	Decal-Caution
1:7	115-4855	1	Decal-Caution
1:8	100-8822	1	Decal-No Rider
2	322-10	7	Screw-HH
3	104-2849	7	Pin-Locking
4	3296-29	7	Nut-Lock, NI
5	3269-8	4	Rivet-Blind
6	104-5112	4	Washer-Flat
7	98-0083	1	Stop-Rubber
9	112-2583	1	Pin-Locking
10	108-4639	1	Locking Arm ASM
10:2	115-4858	2	Decal-Danger
11	68-1440	2	Washer-Rubber
12	115-4867	2	Decal
13	325-14	1	Screw-HH
14	105-1217	2	Decal
15	3296-23	1	Nut-Lock, NI



Loader Arm Hydraulic Assembly

Ref.	Part Number	Qty.	Description	Ref.	Part Number	Qty.	Description
1	106-9366	1	Spacer-Hardline	17	340-2	6	Fitting-Straight
2	108-6319	1	HYD Tube ASM	17:1	237-22	1	O-Ring
2:1	237-22	1	O-Ring	17:2	237-42	1	O-Ring
3	112-2563	1	HYD Tube ASM	18	104-6267	1	LH Lift Cylinder ASM
3:1	237-22	1	O-Ring	19	104-6269	1	RH Lift Cylinder ASM
4	98-0237	2	Plate-Clamp, Tube	20	340-70	2	Nut-Lock
5	94-2691	3	Screw-HWH Taptite	21	340-154	2	Union-Bulkhead
6	98-0242	2	Hose-HYD	21:1	237-22	2	O-Ring
7	3290-378	2	Tie-Cable	22	105-8395	1	Bulkhead Nipple ASM
8	100-6128	1	Sleeve-Protective	22:1	237-65	1	O-Ring
9	106-9364	1	HYD Tube ASM	22:2	100-6120	1	Seal Kit ●
9:1	237-22	1	O-Ring	23	100-8815	1	Cap-Dust, Nipple
10	106-9365	1	HYD Tube ASM	24	100-8816	1	Cap-Dust, Coupler
10:1	237-22	1	O-Ring	25	105-8394	1	Bulkhead Coupler ASM
11	56-7973	2	Clamp-Tube	25:1	237-65	1	O-Ring
12	3256-2	1	Washer-Flat	26	340-74	2	Nut-Lock, Bulkhead
13	3253-3	1	Washer-Lock	27	98-0207	2	Hose-HYD
14	98-0213	2	Hose-HYD	28	105-8370	1	Tilt Cylinder ASM
15	100-6127	1	Sleeve-Protective	29	112-2565	1	Plate-Hardline
16	98-0216	4	Hose-HYD				

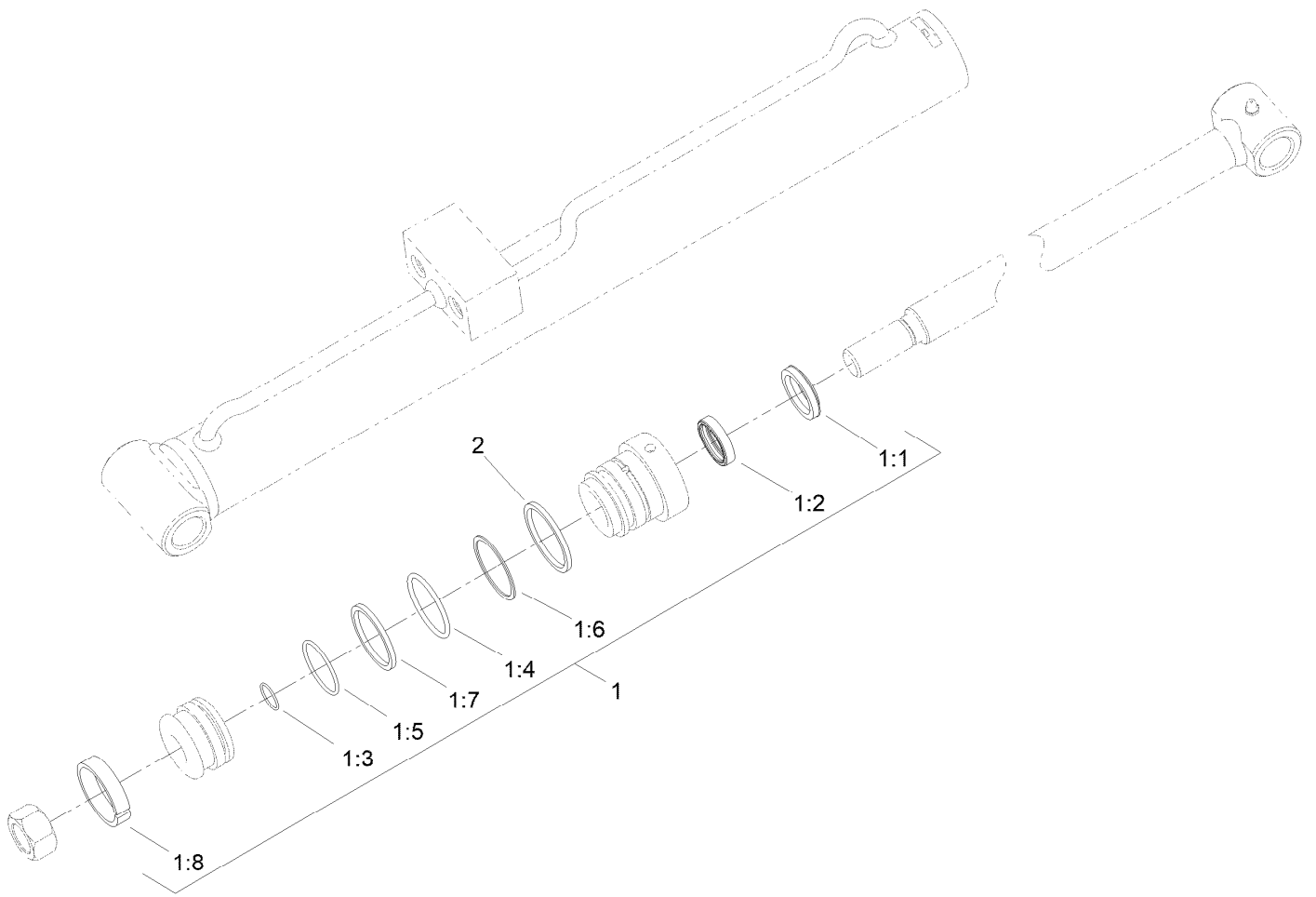
● Not illustrated



Left Hand Hydraulic Lift Cylinder Assembly No. 104-6267

<i>Ref.</i>	<i>Part Number</i>	<i>Qty.</i>	<i>Description</i>
1	104-6268	1	Seal Kit
1:1		1	Wiper ●
1:2		1	Seal ●
1:3		1	Ring-Retaining ●
1:4		1	Ring-Retaining ●
1:5		1	Ring-Retaining ●
1:6		1	Back-Up ●
1:7		1	Seal ●
1:8		1	Wear Ring ●

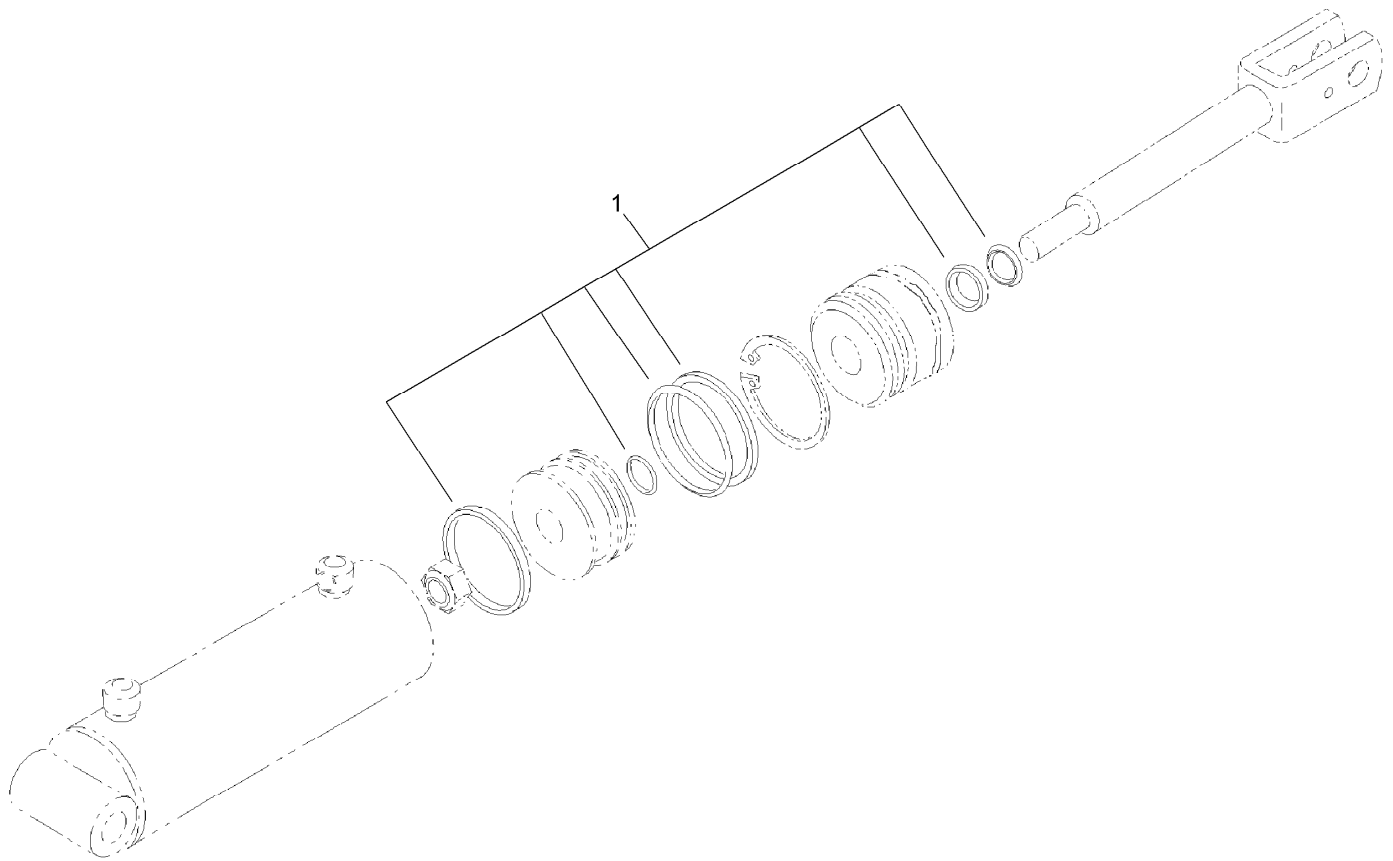
● Not serviced separately



Right Hand Hydraulic Lift Cylinder Assembly No. 104-6269

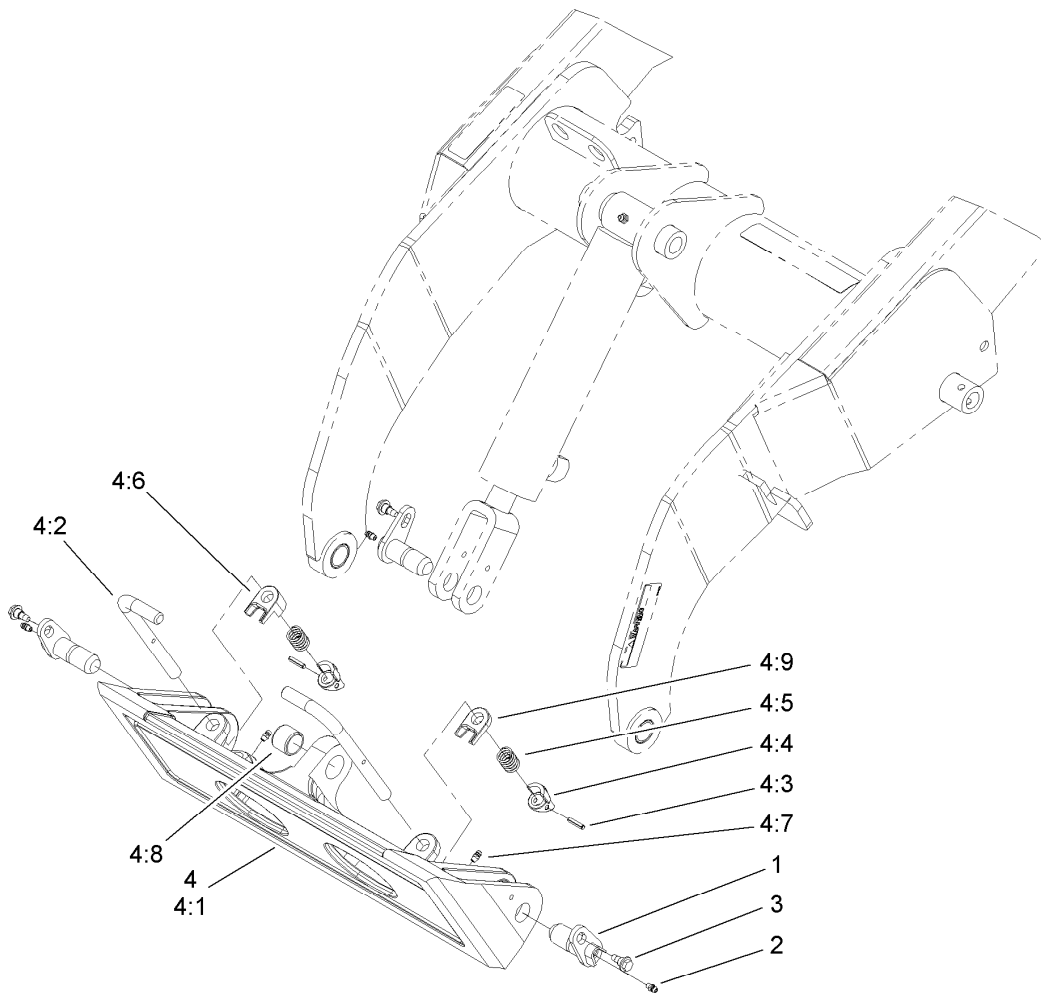
<i>Ref.</i>	<i>Part Number</i>	<i>Qty.</i>	<i>Description</i>
1	104-6268	1	Seal Kit
1:1		1	Wiper ●
1:2		1	Seal ASM ●
1:3		1	Seal-Dust ●
1:4		1	Seal-Dust ●
1:5		1	Seal-Dust ●
1:6		1	Back-Up ●
1:7		1	Seal ASM ●
1:8		1	Ring-Wear ●
2	161-7281	1	Ring - Retaining

● Not serviced separately



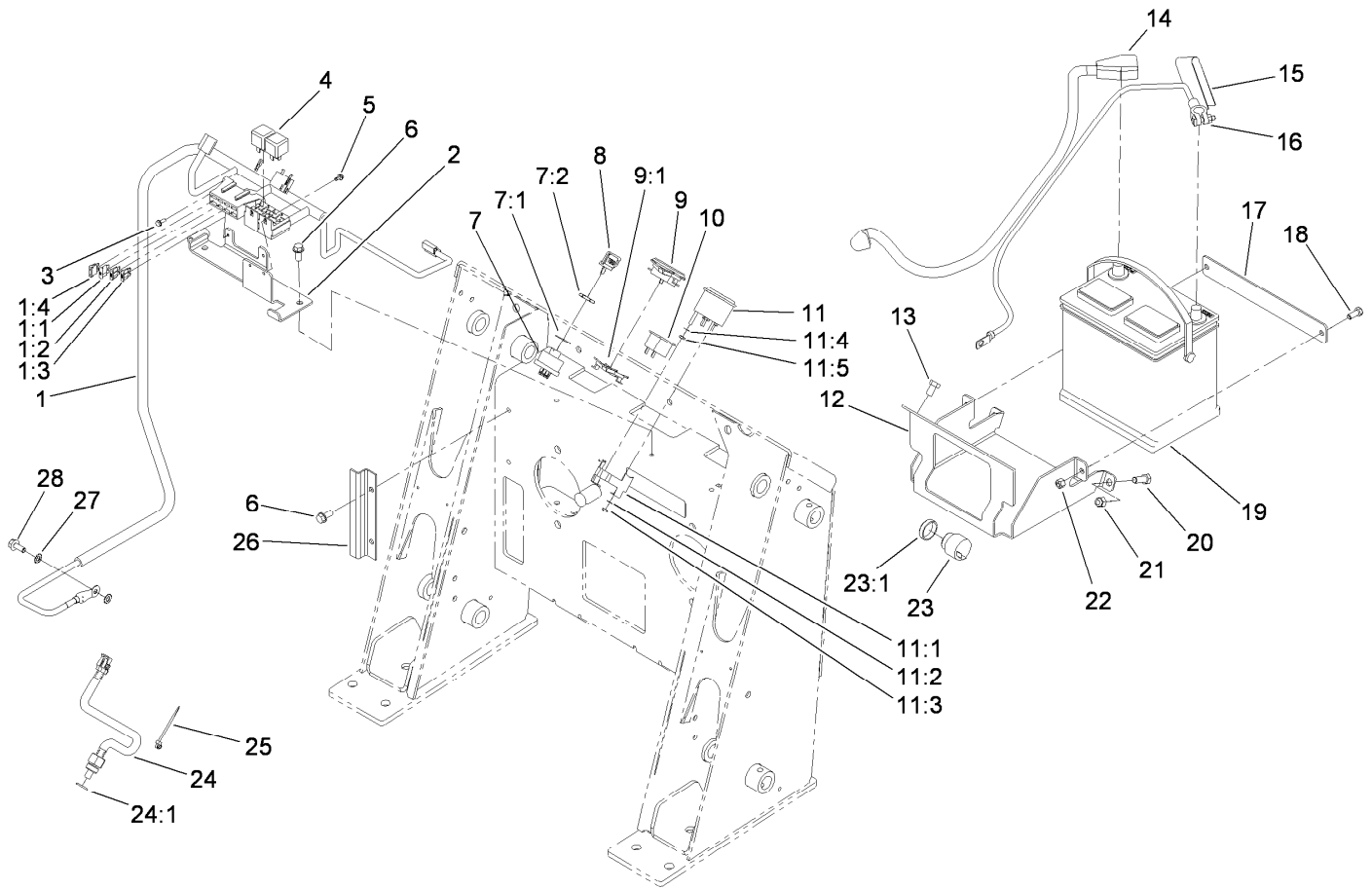
Hydraulic Cylinder Assembly No. 105-8370

<i>Ref.</i>	<i>Part Number</i>	<i>Qty.</i>	<i>Description</i>
1	106-7567	1	Seal Kit



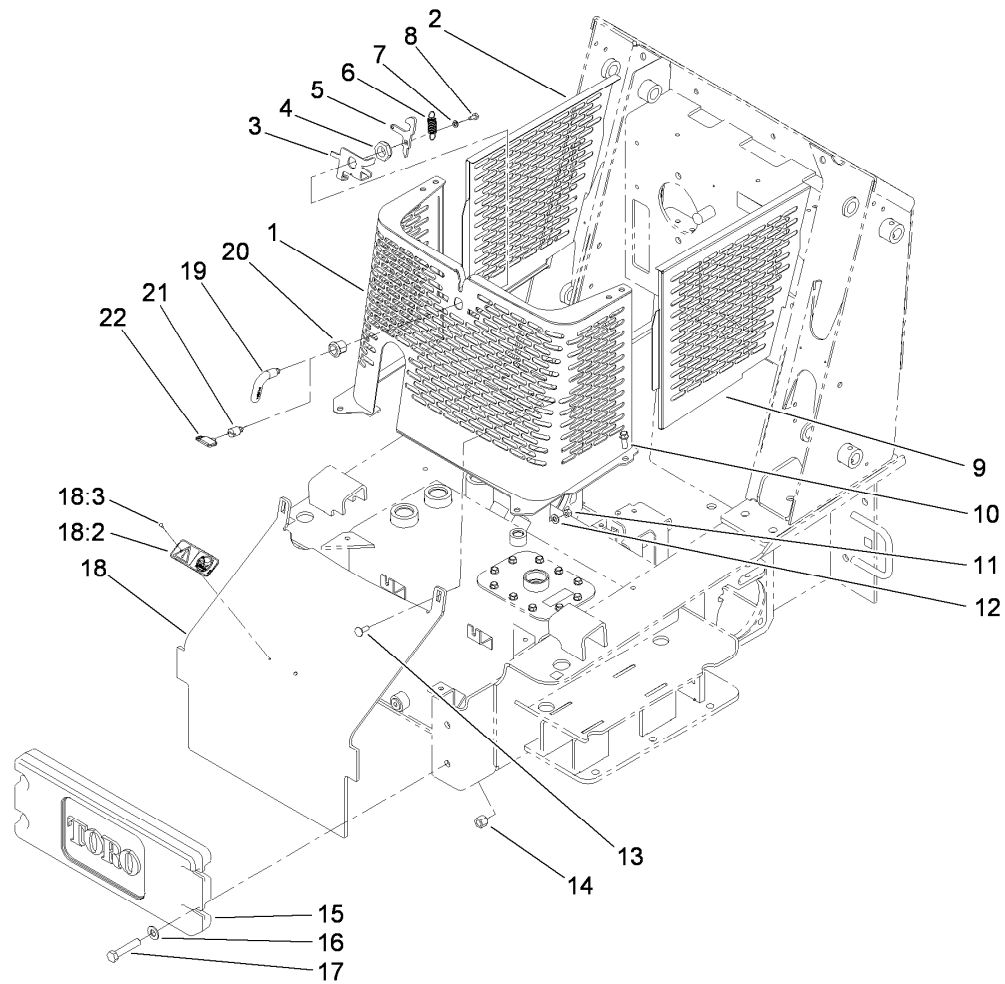
Quick Attach Assembly

<i>Ref.</i>	<i>Part Number</i>	<i>Qty.</i>	<i>Description</i>
1	112-2609	3	Pin-Pivot
2	302-5	3	Fitting-Grease
3	99-5105	3	Screw-Shoulder
4	105-8364	1	Quick Attach ASM
4:1	105-0245-03	1	Mount-Attach, Quick
4:2	105-8367	2	Pin-Locking
4:3	3285-1	2	Pin-Grooved
4:4	105-0246	2	Cam
4:5	98-4694	2	Spring-Compression
4:6	104-5909	1	Stop-RH
4:7	302-5	2	Fitting-Grease
4:8	98-4871	1	Bushing-Tension
4:9	104-5903	1	Stop-LH



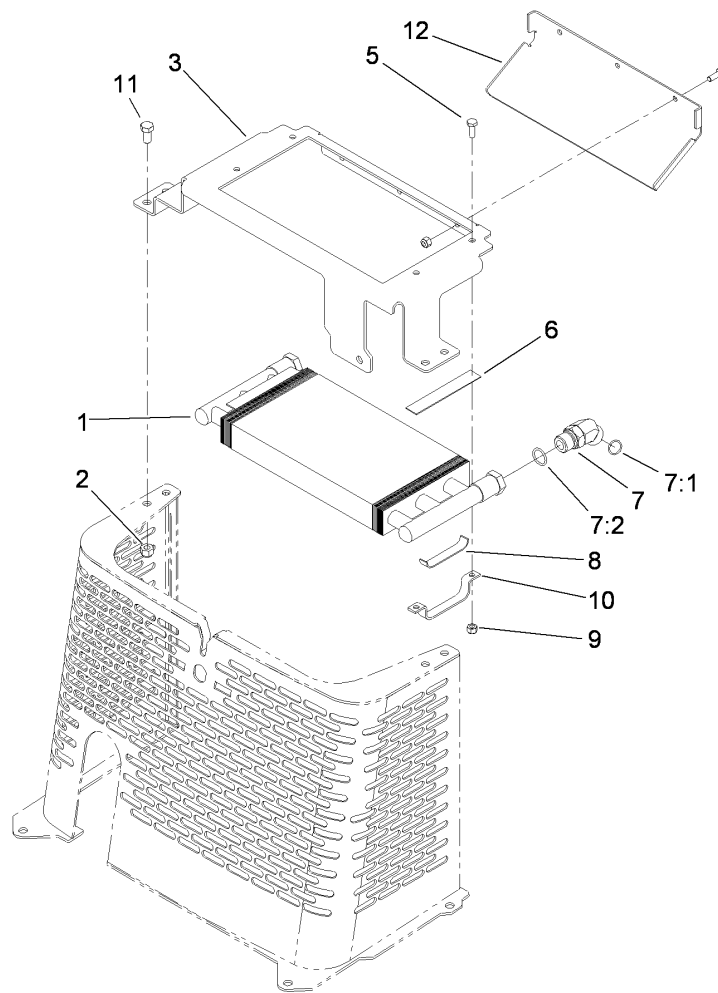
Electrical System Assembly

Ref.	Part Number	Qty.	Description	Ref.	Part Number	Qty.	Description
1	115-0732	1	Harness-Wire	11:5	3217-16	3	Nut-Hex
1:1	218-578	1	Fuse-Blade, 10 Amp	12	106-9390-01	1	Tray-Mounting, Battery
1:2	109102	1	Fuse-Blade, 25 Amp	13	32144-69	2	Screw-HWHTF
1:3	109103	1	Fuse-Blade, 30 Amp	14	106-5707	1	Cable-Battery, Positive
1:4	109355	1	Fuse-Blade, 15 Amp	15	107-9309	1	Decal-Instructions, Charging
2	106-2558-03	1	Fuse/Relay Bracket ASM	16	106-5708	1	Cable-Battery, Negative
3	32144-112	2	Screw-HWH	17	105-0371-01	1	Clamp-Battery
4	98-7249	2	Relay	18	322-3	2	Screw-HH
5	104-2065	2	Screw-HWH	19	104-9979	1	Battery
6	32144-11	4	Screw-HWH	20	323-6	2	Screw-HH
7	88-9830	1	Key Switch ASM	21	3296-39	2	Nut-Lock, NI
7:1	3254-5	1	Washer-Lock	22	3296-29	2	Nut-Lock, NI
7:2	218-461	1	Nut-HH	23	80-9330	1	Audio Alarm ASM
8	63-8360	3	Key-Ignition	23:1	104-5107	1	Nut-Plastic, Knurled
9	104-7427	1	Inductive Hourmeter ASM	24	98-2765	1	Switch-Temperature
9:1	104-4234	1	Clip-Mounting	24:1	237-79	1	O-Ring
10	104-2839	1	Light-Temp, Oil	25	3290-381	3	Tie-Cable
11	66-2940	1	Gauge-Fuel	26	100-6117-01	1	Shield-Wiring
11:1	100-6147	1	Bracket-Mounting, Gauge	27	3255-8	2	Washer-Lock
11:2	3254-1	2	Washer-Lock, Int	28	33104-020	1	Screw-HHF
11:3	3217-27	2	Nut-Hex				
11:4	3255-24	3	Washer-Lock / EXT				



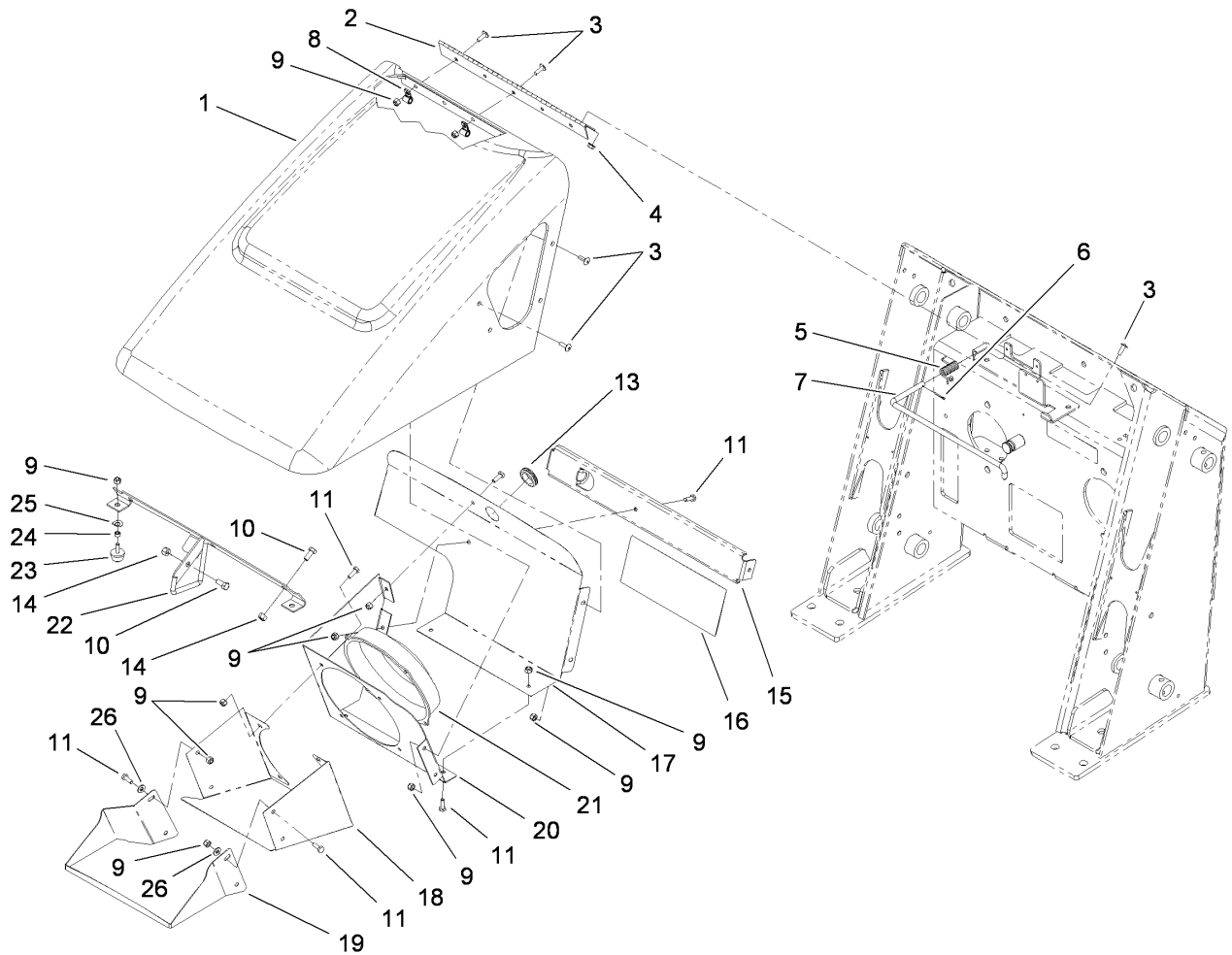
Grill Assembly

Ref.	Part Number	Qty.	Description
1	106-5721-03	1	Grill ASM
2	106-5727-03	1	Panel-Side, RH
3	106-5729-03	1	Bracket-Latch
4	3296-60	1	Nut-Lock, NI
5	106-5728	1	Cam-Latch
6	104-0869	1	Spring
7	3253-3	1	Washer-Lock
8	321-2	1	Screw-HH
9	106-5726-03	1	Panel-Side, LH
10	95-1726	4	Screw-Taptite
11	3296-29	2	Nut-Lock, NI
12	3256-23	2	Washer-Plain
13	3230-28	2	Screw-CARR
14	3296-23	4	Nut-Lock, NI
15	99-6166-01	1	Counterweight-Front
16	3256-26	4	Washer-Flat
17	325-10	4	Screw-HH
18	108-4644	1	Heat Shield ASM
18:2	115-4882	1	Plate-Hot Surface
18:3	3269-31	2	Rivet-Pop
19	108-5639	1	Handle-Latch
20	106-9335	1	Housing-Latch
21	106-9336	1	Insert-Latch
22	99-8970	1	Key-Latch, Hood



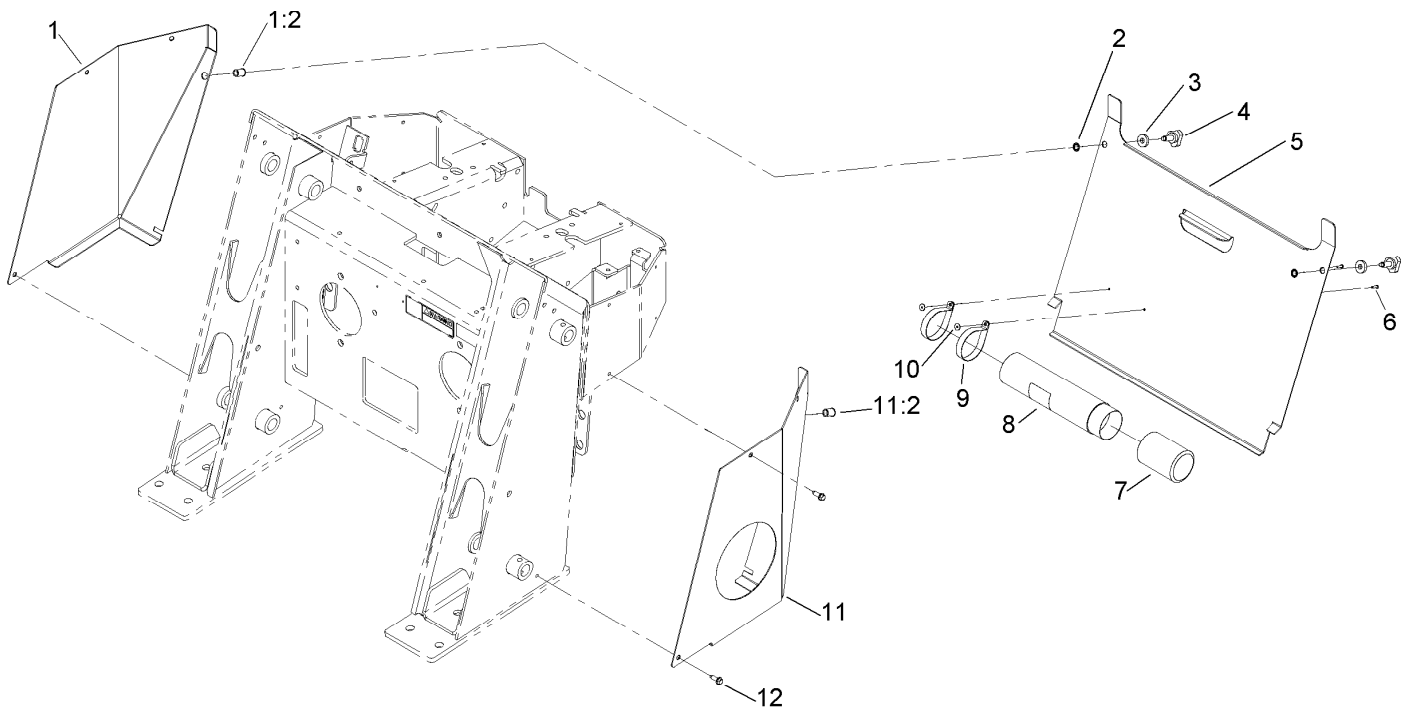
Hydraulic Oil Cooler Assembly

<i>Ref.</i>	<i>Part Number</i>	<i>Qty.</i>	<i>Description</i>
1	105-0352	1	Exchanger-Heat
2	3296-39	4	Nut-Lock, NI
3	115-4801-03	1	Bracket-Mounting, Cooler
5	321-4	7	Screw-HH
6	94-9566	2	Pad-Footrest
7	340-14	2	Fitting-HYD, 45 DEG
7:1	237-65	1	O-Ring
7:2	237-80	1	O-Ring
8	104-2816	2	Pad-Support
9	3296-42	7	Nut-Lock, NI
10	104-2803	2	Support-Cooler
11	3234-42	4	Screw-HHF
12	115-0798-03	1	Deflector-Cooler



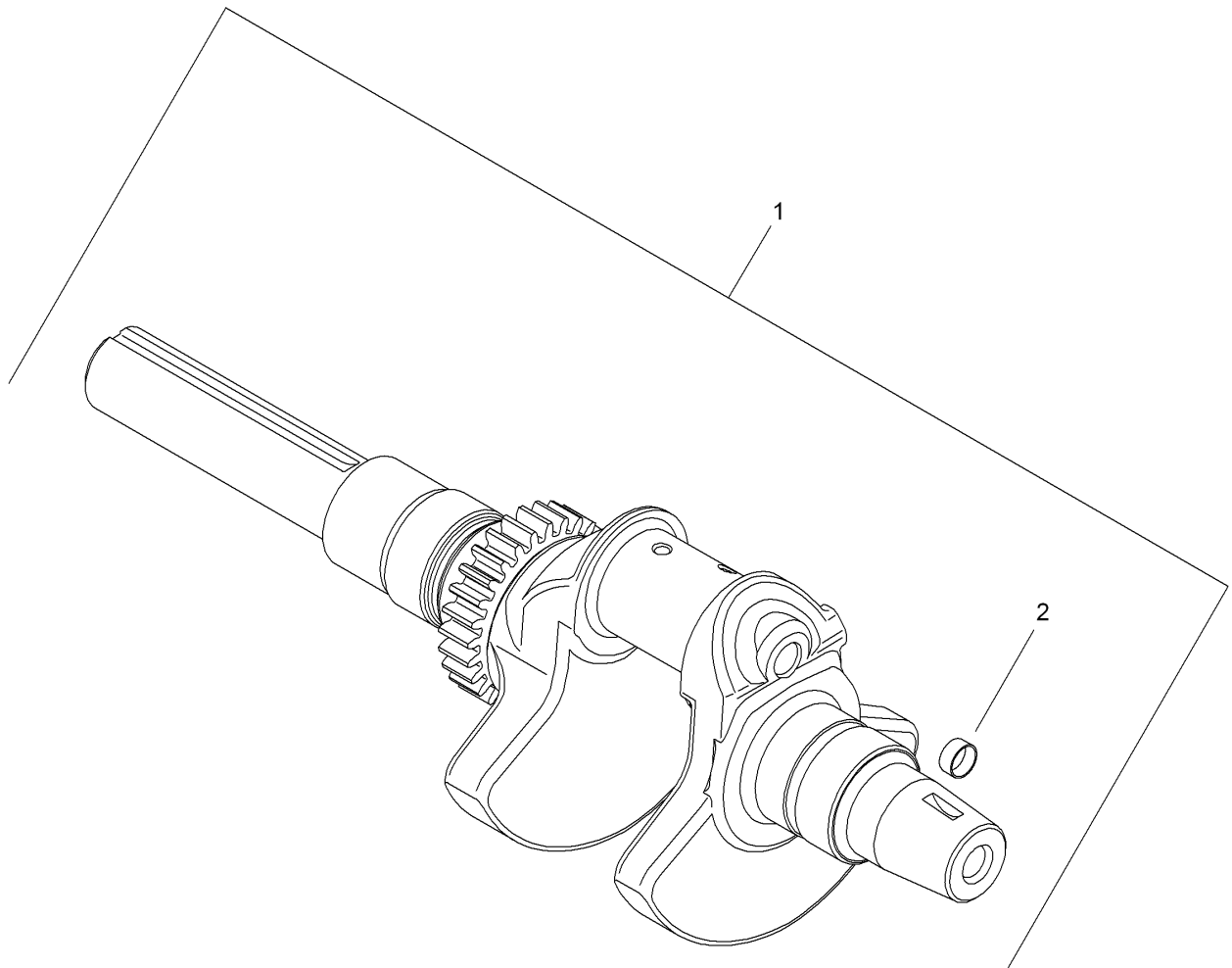
Hood Assembly

<i>Ref.</i>	<i>Part Number</i>	<i>Qty.</i>	<i>Description</i>	<i>Ref.</i>	<i>Part Number</i>	<i>Qty.</i>	<i>Description</i>
1	114-8717	1	Hood ASM	15	115-4849-03	1	Bracket-Support, Hood
2	100-1284	1	Hinge-Hood	16	115-4848	1	Decal-Service
3	9114604	14	Screw-Head, Truss	17	114-8715-03	1	Bracket-Fan, Back
4	32128-33	4	Nut-HF	18	114-8711-03	1	Shroud-Fan
5	106-2584	1	Spring-Torsion	19	114-8712-03	1	Shroud-Fan, Front
6	3272-6	1	Pin-Cotter	20	114-8714-03	1	Bracket-Fan, Back
7	106-2554	1	Rod-Support, Hood	21	104-2809	1	Fan
8	2412-91	2	Clamp	22	106-5717-03	1	Rod Latch ASM
9	3296-42	24	Nut-Lock, NI	23	1-523420	2	Bumper
10	322-3	4	Screw-HH	24	106-9308	2	Spacer
11	321-4	12	Screw-HH	25	3290-301	2	Washer-Spring
13	240-5	1	Grommet	26	3256-22	2	Washer-Flat
14	3296-29	4	Nut-Lock, NI				



Rear Access Cover Assembly

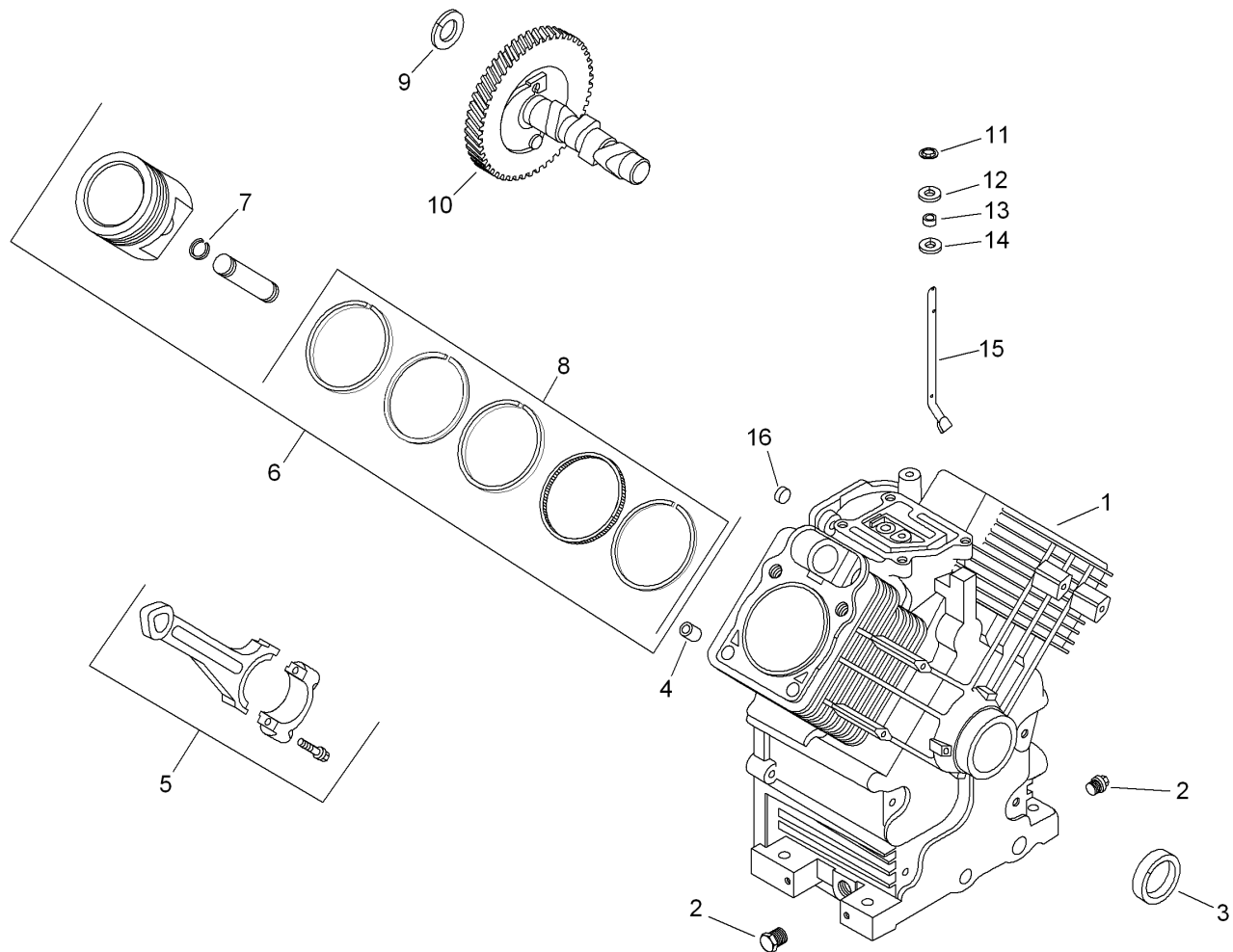
<i>Ref.</i>	<i>Part Number</i>	<i>Qty.</i>	<i>Description</i>
1	106-9342	1	RH Rear Cover Support ASM
1:2	32148-9	1	Nut-Clinch
2	32151-72	2	Ring-Retaining
3	106-0565	2	Washer-Rubber
4	95-9648	2	Knob
5	106-9339-01	1	Cover-Access, Rear
6	3269-17	2	Rivet-Pop
7	104-7048	1	Cap-Housing
8	104-7050	1	Tube-Manual
9	2412-120	2	Clamp-R
10	3269-10	2	Washer-Back
11	106-9343	1	LH Rear Cover Support ASM
11:2	32148-9	1	Nut-Clinch
12	9266714	6	Screw-HWH



Crankshaft Assembly Kohler CH740-3126

<i>Ref.</i>	<i>Part Number</i>	<i>Qty.</i>	<i>Description</i>
1	24 014 90-S	1	Crankshaft (Includes 2) ●
2	52 139 09-S	1	Plug-Cup ●

● Obtain parts from www.kohlerplus.com

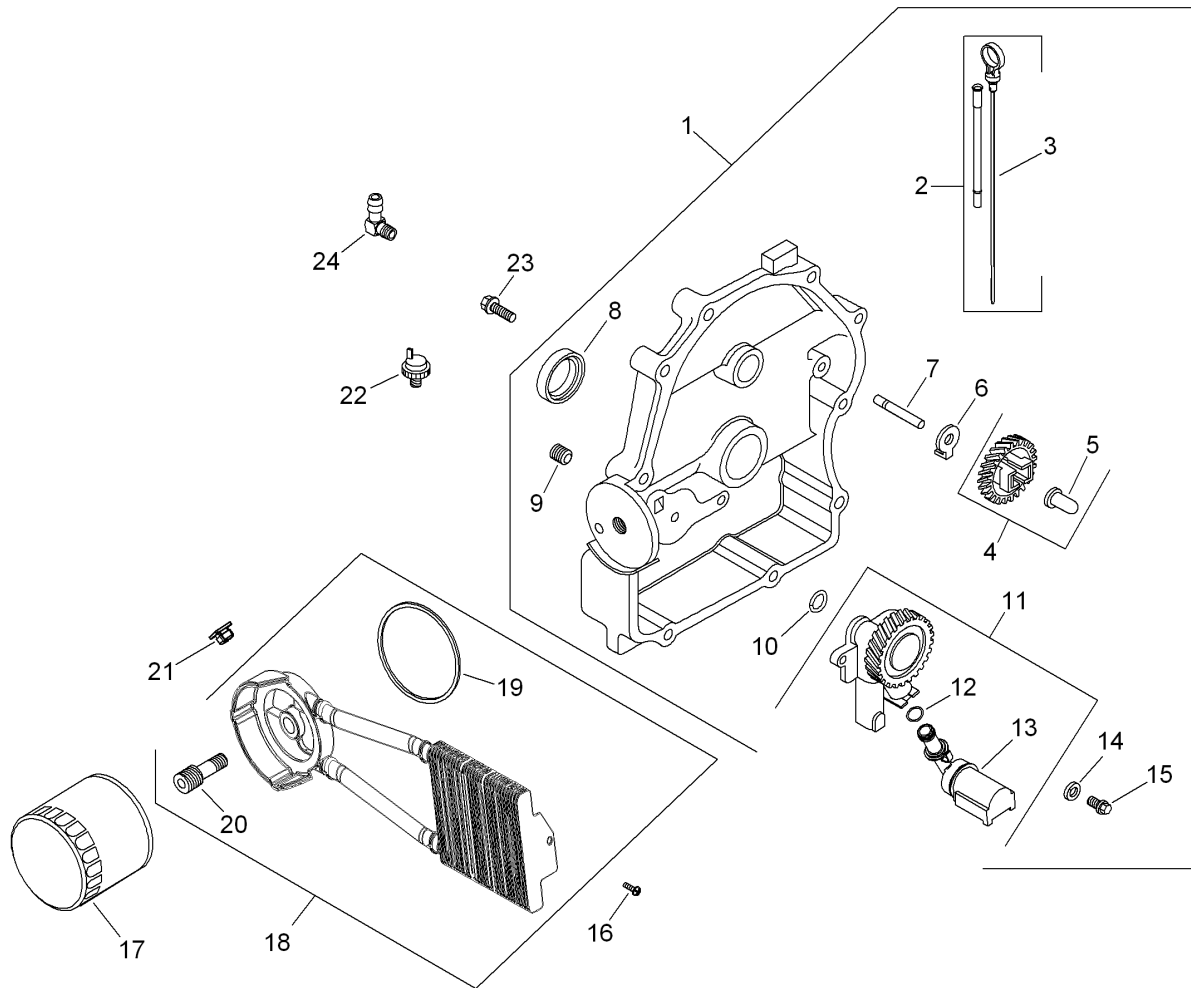


Crankcase Assembly Kohler CH740-3126

Ref.	Part Number	Qty.	Description	Ref.	Part Number	Qty.	Description
1	24 782 32	1	Mini Block (C I Bore) ■	9	12 422 10-S	1	Shim-Camshaft (Yellow .034) ■
2	52 139 02-S	2	Plug-Pipe Head, 3/8 ■	9	12 422 11-S	1	Shim-Camshaft (Green .036) ■
3	24 032 19-S	1	Seal-Oil (Helix Lip) ■	9	12 422 12-S	1	Shim-Camshaft (Gray .038) ■
4	24 380 16-S	6	Pin-Locating ■	9	12 422 13-S	1	Shim-Camshaft (Black .04) ■
5	24 067 24-S	2	Rod-Connecting (STD) ■	10	24 012 18-S	1	Camshaft Kit (Includes 25 357 14-S) ■
5	24 067 25-S	2	Rod-Connecting (.25) ■	11	24 018 09-S	1	Retainer-Ring ■
6	25 874 01-S	2	Piston And Ring Kit (STD) (Includes 7, 8) ■	12	M-931010-S	1	Washer-Flat (9MM) ■
6	24 874 27-S	2	Piston W/Ring Set (.08) ■	13	28 032 09-S	1	Seal-Cross Shaft, Governor ■
6	24 874 28-S	2	Piston W/Ring Set (.25) ■	14	24 468 15-S	1	Washer-Flat (11/32) ■
6	24 874 29-S	2	Piston W/Ring Set (.50) ■	15	24 144 38-S	1	Shaft-Cross, Governor ■
7	24 018 01-S	4	Retainer-Pin, Piston ■	16	52 139 09-S	1	Plug-Cup ■
8	24 108 14-S	1	Piston Ring Set (STD) ■	25	357 14-S	1	Lubricant-Camshaft ● ■
8	24 108 15-S	1	Piston Ring Set (.08) ■	24	755 158-S	1	Gasket Set ● ■
8	24 108 16-S	1	Piston Ring Set (.25) ■				
8	24 108 17-S	1	Piston Ring Set (.50) ■				
9	12 422 07-S	1	Shim-Camshaft (White .028) ■				
9	12 422 08-S	1	Shim-Camshaft (Blue .03) ■				
9	12 422 09-S	1	Shim-Camshaft (Red .032) ■				

● Not illustrated

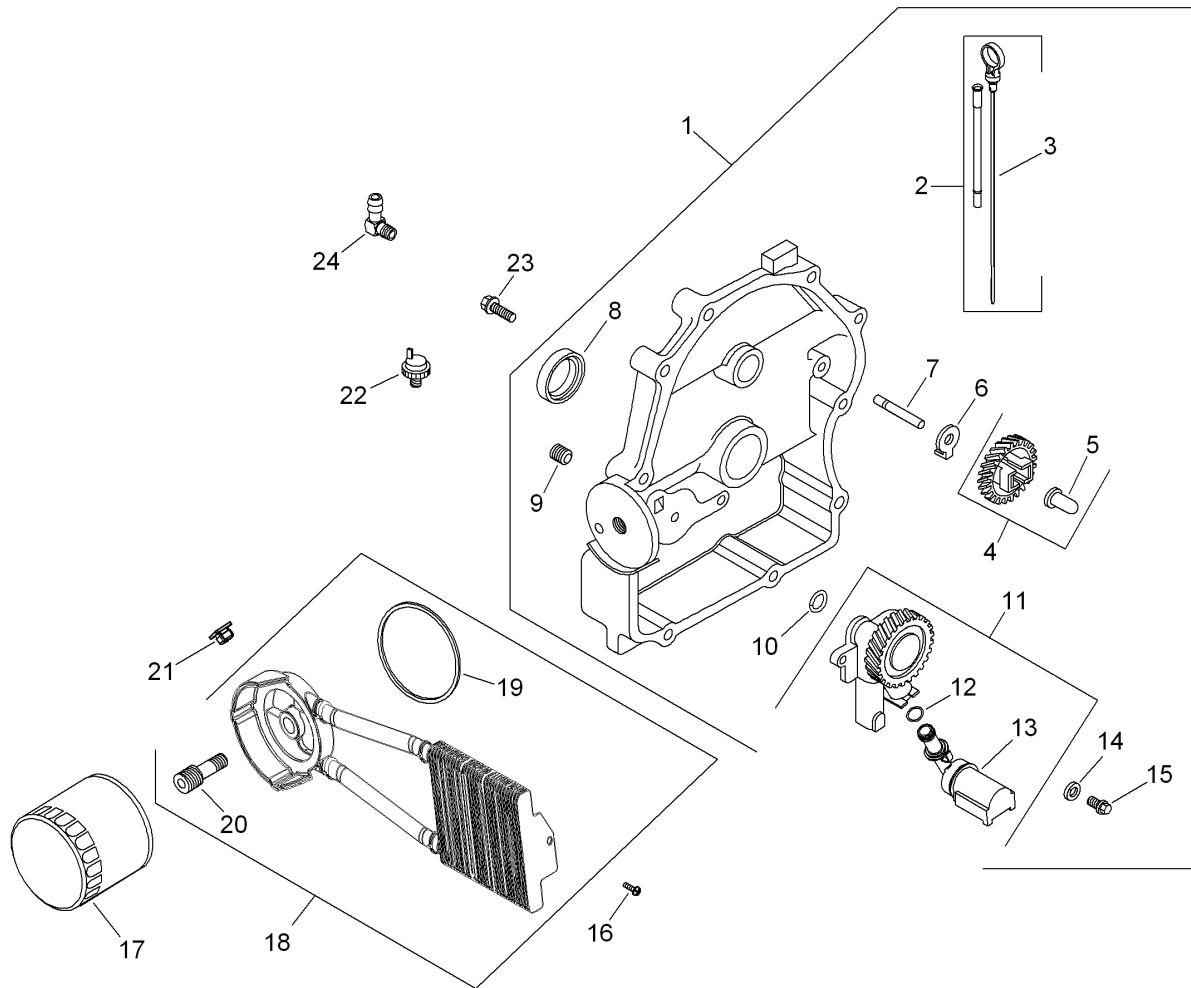
■ Obtain parts from www.kohlerplus.com



Oil Pan and Lubrication Assembly Kohler CH740-3126

Ref.	Part Number	Qty.	Description
1	66 009 08-S	1	Closure Plate ASM (Includes 2-15) ●
2	24 755 121-S	1	Dipstick And Dipstick Tube ASM (Includes 3) ●
3	24 038 10-S	1	Dipstick ●
4	24 043 12-S	1	Governor Gear W/Pin Kit (Includes 5) ●
5	12 380 01-S	1	Pin-Regulating, Governor ●
6	24 448 02-S	1	Tab-Locking ●
7	12 144 02-S	1	Shaft-Gear, Governor ●
8	25 032 06-S	1	Seal-Oil ●
9	25 139 60-S	1	Plug-Pipe, Countersunk (1/8) ●
10	24 153 08-S	1	O-Ring ●
11	24 393 51-S	1	Oil Pump ASM (Includes 12, 13) ●
12	24 153 01-S	1	O-Ring (Oil Pick-Up) ●
13	24 381 04-S	1	Tube-Pick Up, Oil ●
14	M-631005-S	2	Washer-Flat (6 MM) ●
15	M-645025-S	2	Screw-Flange, Thread Forming (M6X1.0X25) ●
16	24 086 12-S	2	Screw-TAP (M6X1.7X18) ●
17	52 050 02-S	1	Filter-Oil ●
18	54 755 21-S	1	Oil Cooler Kit (Metal) (Includes 19, 10) ●
19	24 153 21-S	1	O-Ring ●
20	24 136 05-S	1	Nipple-Filter, Oil ●
21	25 100 37-S	2	Nut-Plastic (Black) ●

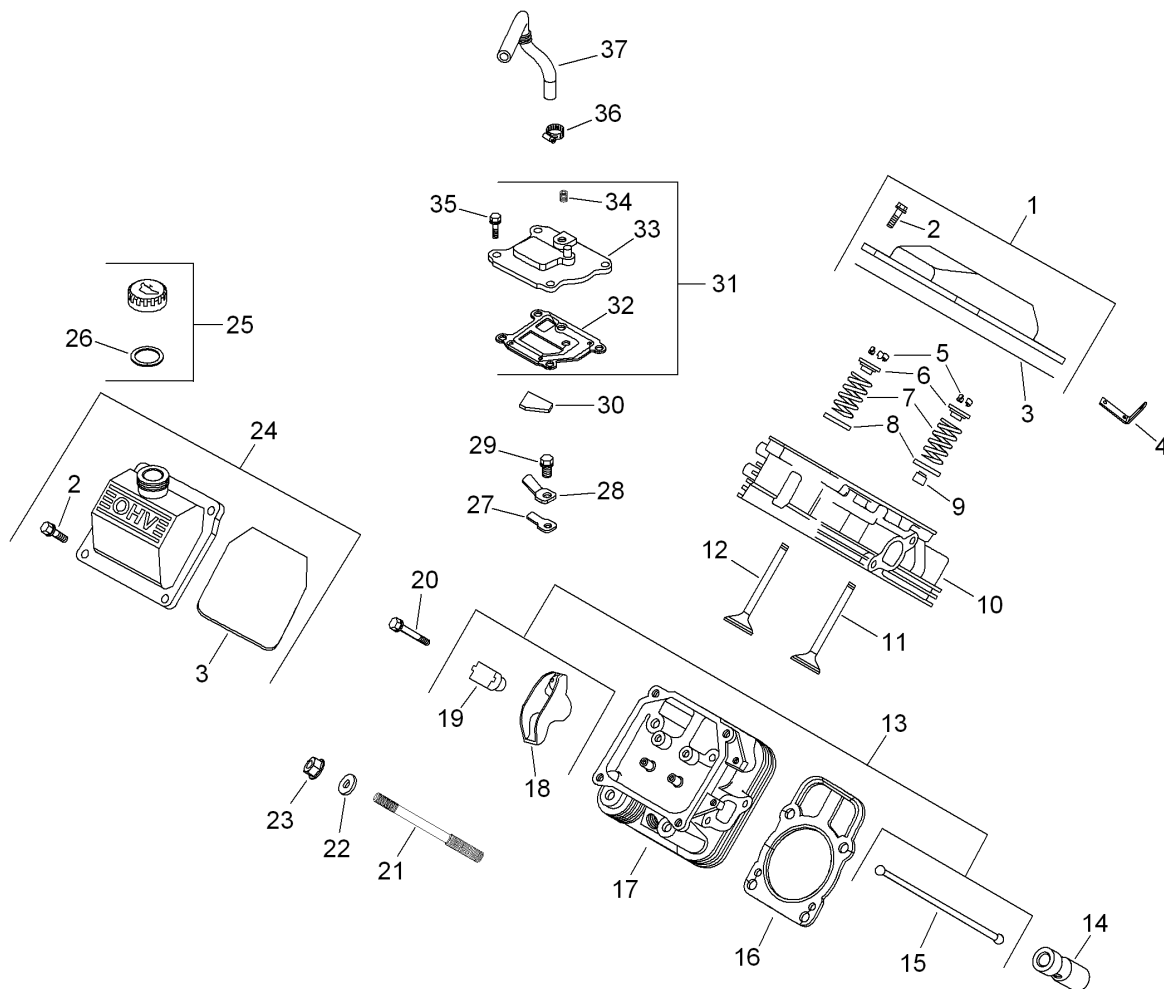
● Obtain parts from www.kohlerplus.com



Oil Pan and Lubrication Assembly Kohler CH740-3126 (continued)

Ref.	Part Number	Qty.	Description
22	24 099 03-S	1	Switch-Pressure, Oil ●
23	24 086 17-S	10	Screw-Flange (M8X1.25X45) ●
24	25 155 02-S	1	Connector-Hose, 90 Deg ●

● Obtain parts from www.kohlerplus.com

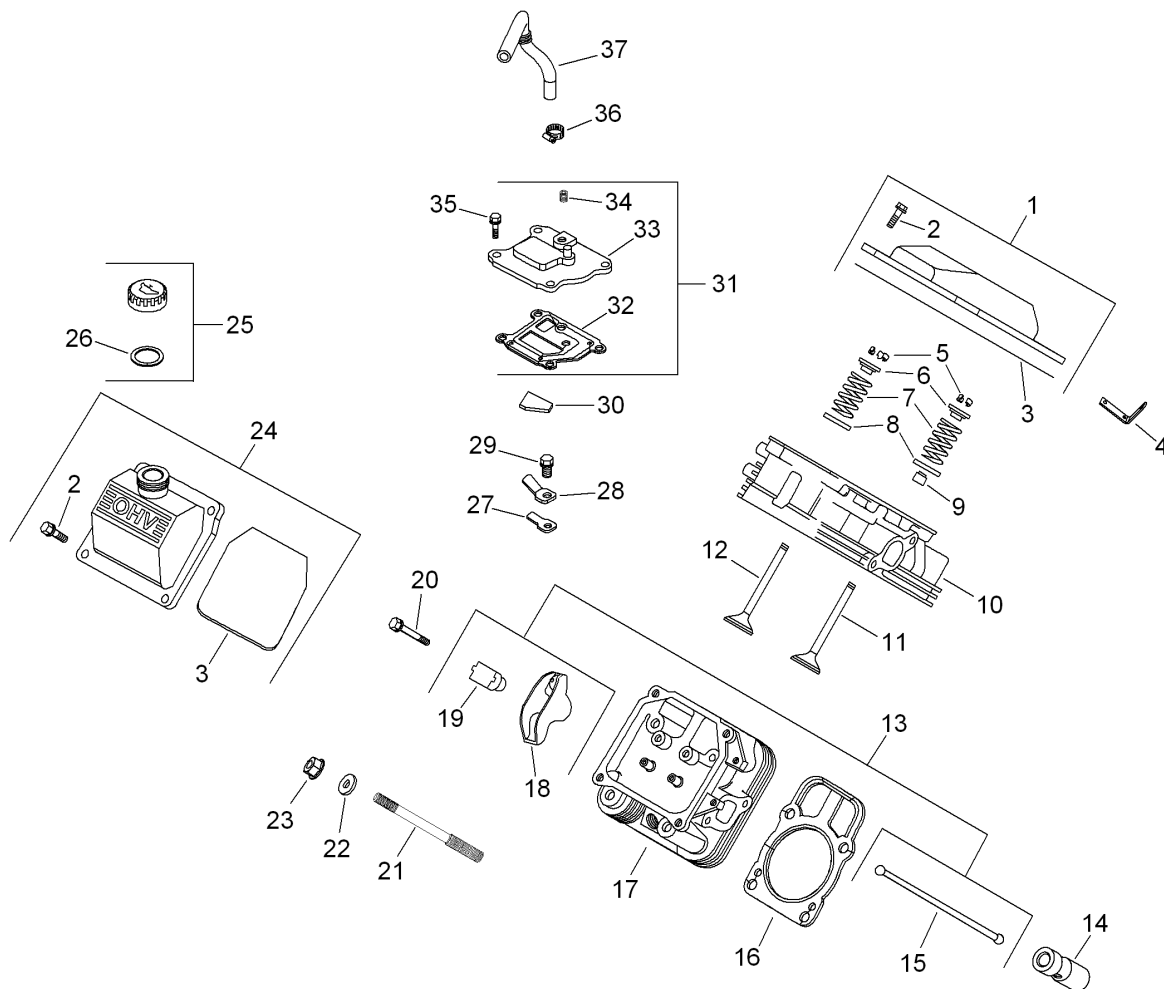


Head, Valve and Breather Assembly Kohler CH740-3126

Ref.	Part Number	Qty.	Description	Ref.	Part Number	Qty.	Description
1	24 755 141-S	1	Plain Rocker Cover Kit (Includes 2, 3) ■	17	24 318 114-S	1	Cylinder Head No.2 ASM (Includes 25 072 04-S) ■
2	M-651030-S	8	Screw-Flange (M6X1.0X30) ■	18	25 186 01-S	4	Arm-Rocker ■
3	24 153 30-S	2	O-Ring ■	19	24 599 02-S	4	Pivot-Arm, Rocker ■
4	25 445 01-S	1	Strap-Lifting ■	20	M-640034-S	4	Screw-Flange (M6X1.0X34) ■
5	12 755 03-S	4	Retainer Kit ■	21	24 072 09-S	8	Stud (M8X1.25Xm10X1.5X105MM) ■
6	12 173 01-S	4	Cap-Spring, Valve ■	22	24 468 16-S	8	Washer-Flat (8.6 MM) ■
7	24 089 02-S	4	Spring-Valve ■	23	24 100 10-S	8	Nut-Flange (M8X1.25) ■
8	235011-S	4	Retainer-Spring ■	24	24 755 140-S	1	Oil Fill Rocker Cover Kit (Includes 2, 3) ■
9	66 032 05-S	2	Seal-Stem, Valve ■	25	24 755 46-S	1	Oil Fill Cap Kit (Yellow) (Includes 26) ■
10	24 318 106-S	1	Cylinder Head No.1 ASM (Includes 25 072 04-S) ■	26	25 153 02-S	1	O-Ring (Dipstick) ■
11	24 017 01-S	2	Valve-Intake (STD) ■	27	24 402 03-S	1	Reed-Breather ■
11	24 017 02-S	2	Valve-Intake (.25) ■	28	66 018 04-S	1	Retainer-Reed ■
12	24 016 01-S	2	Valve-Exhaust (STD) ■	29	M-545010-S	1	Screw-HHFTF (M5X.80X10) ■
12	24 016 02-S	2	Valve-Exhaust (.25) ■	30	24 050 11-S	1	Filter-Breather ■
13	24 755 66-S	1	Valve Train Kit (Includes 15,18 And 19) ■	31	24 033 01-S	1	Breather ASM (Includes 32, 33) ■
14	25 351 04-S	4	Hydraulic Valve Lifter Kit (Includes 25 357 14-S) ■				
15	24 411 05-S	4	Rod-Push ■				
16	24 841 03-S	2	Cylinder Head Gasket Kit ■				

● Not illustrated

■ Obtain parts from www.kohlerplus.com

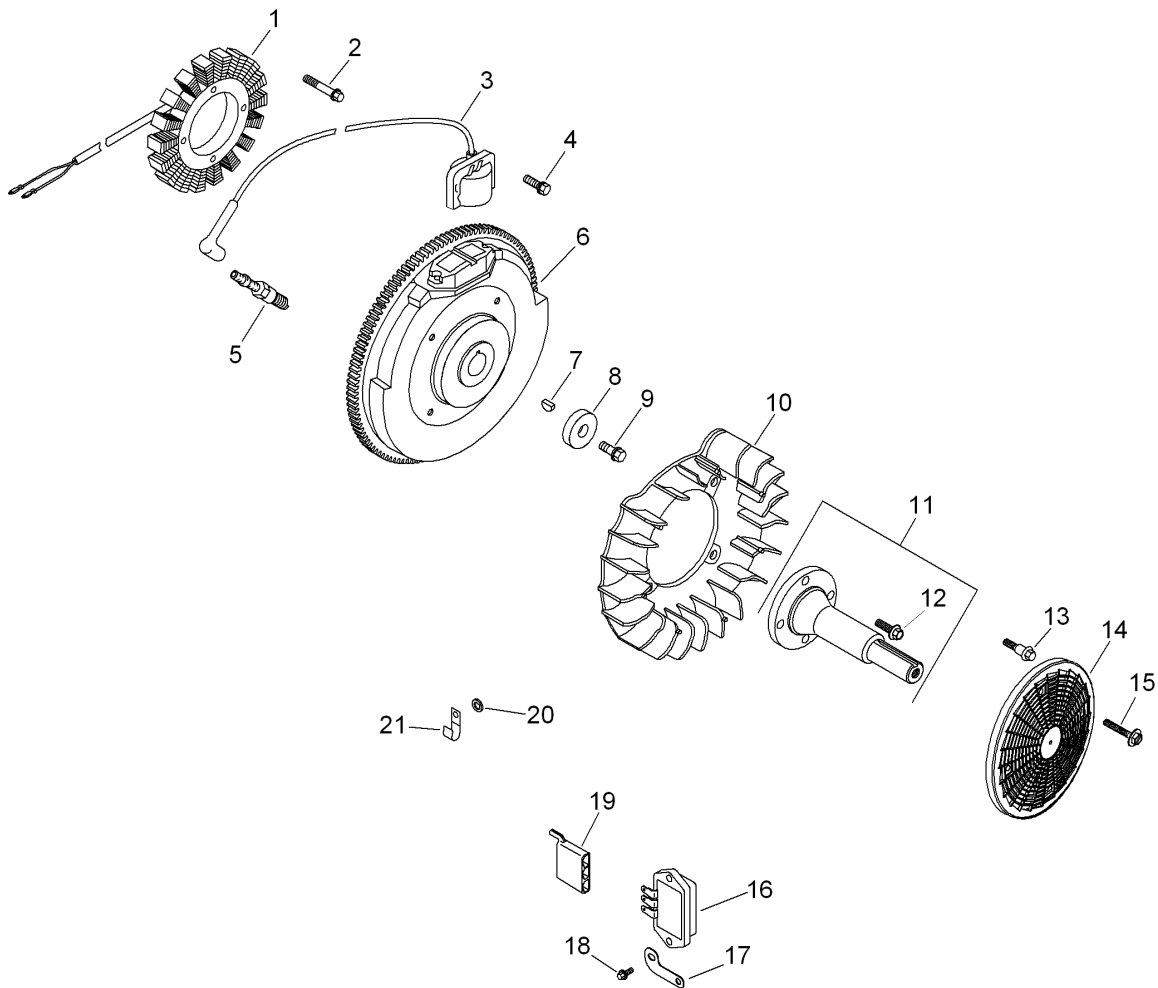


Head, Valve and Breather Assembly Kohler CH740-3126 (continued)

<i>Ref.</i>	<i>Part Number</i>	<i>Qty.</i>	<i>Description</i>	<i>Ref.</i>	<i>Part Number</i>	<i>Qty.</i>	<i>Description</i>
32	24 041 51-S	1	Gasket-Breather ■	37	24 326 89-S	1	Hose-Breather ■
33	24 096 86-S	1	Cover-Breather ■	24 755 147-S	2	Cylinder Head Hardware Kit (Services 1 Head-Qtys For Both Heads) (Includes 5-9, 11, 12, 15, 18-20) ●■	
34	25 139 60-S	1	Plug-Pipe, Countersunk (1/8) ■	25 357 14-S	1	Lubricant-Camshaft ●■	
35	M-645020-S	4	Screw-HHFTF (M6X1.0X20) ■	25 072 04-S	2	Stud (M8X1.25X33) ●■	
36	25 237 14-S	1	Clamp-Hose, Spring (1/2) ■				

● Not illustrated

■ Obtain parts from www.kohlerplus.com

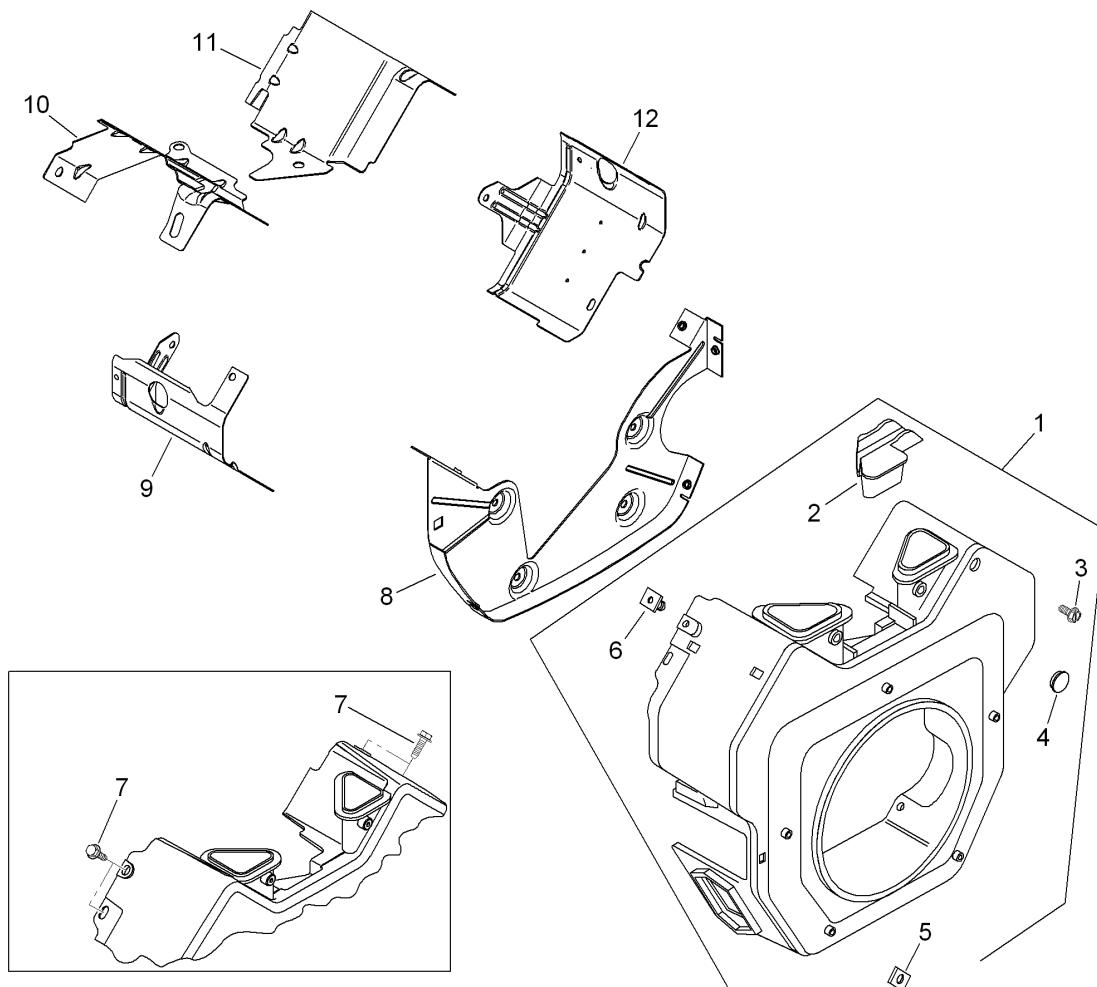


Ignition and Electrical Assembly Kohler CH740-3126

Ref.	Part Number	Qty.	Description	Ref.	Part Number	Qty.	Description
1	237878-S	1	15 Amp Stator Kit (Includes 25 452 01-S) ■	13	25 086 47-S	4	Bolt-Shoulder (M6X1.0X16) ■
2	M-548025-S	2	Screw-Thread Forming (M5X0.8X25) ■	14	24 162 34-S	1	Screen-Grass ■
3	24 584 52-S	2	Module Spark Adv (D S A I) ASM ■	15	25 086 117-S	4	Screw-Flange, Sems (M4X.7X25) ■
4	M-545020-S	4	Screw-Flange, Thread Forming (M5X.8X20) ■	16	41 403 09-S	1	Rectifier-Regulator ■
5	25 132 12-S	2	Spark Plug (Pro Series) ■	17	24 126 137-S	1	Bracket-Strap, Ground ■
6	24 025 58-S	1	Flywheel ASM (L W) ■	18	25 086 157-S	2	Screw-Hex Flange, Hi-Lo ■
7	X-42-15-S	1	Key (3/16 X 5/8) ■	19	25 155 41-S	1	Connector (3 Contact) ■
8	12 468 03-S	1	Washer-Flat (13/32) ■	20	X-25-63-S	1	Washer-Flat (1/4) ■
9	12 086 14-S	1	Screw-Flange (M10X1.5X45) ■	21	235173-S	1	Clip-Cable ■
10	24 157 11-S	1	Fan ■	24 176 132-S	1	Harness-Wiring, D S A I ● ■	
11	24 144 13-S	1	Shaft-Drive, Front ■	24 176 42-S	1	Harness-Wiring ● ■	
12	M-839025-S	4	Screw-HF (M8X1.25X25) ■	25 086 91-S	2	Screw-Wsh HD Tap (8-18X.50) ● ■	
				25 454 07-S	2	Tie-Wire ● ■	
				25 452 01-S	2	Terminal ● ■	

● Not illustrated

■ Obtain parts from www.kohlerplus.com

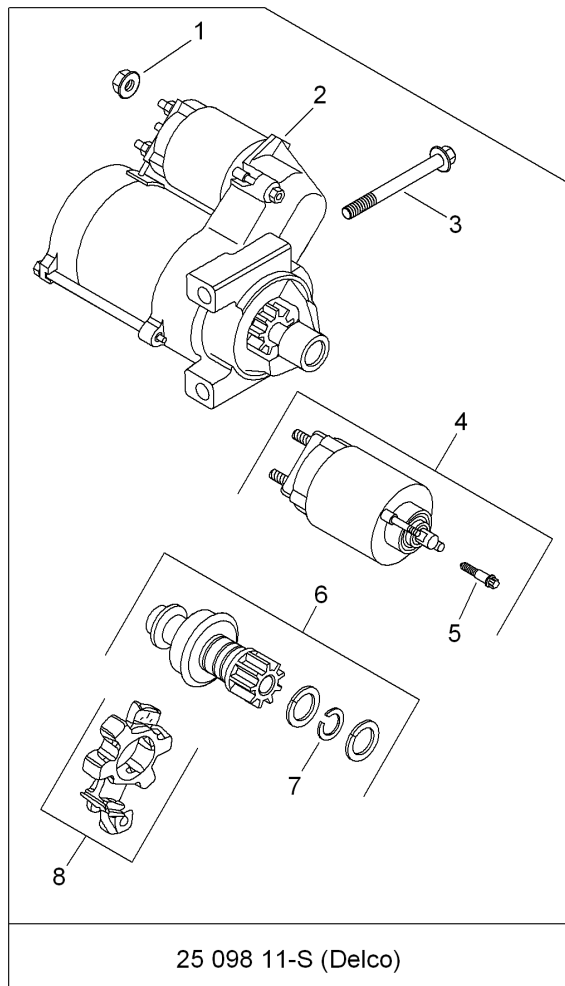


Blower Housing and Baffle Assembly Kohler CH740-3126

Ref.	Part Number	Qty.	Description
1	24 027 195-S	1	Blower Housing ASM (Includes 2-6 And 41 037 10-S) ■
2	24 096 85-S	1	Cover-Housing, Blower ■
3	25 086 91-S	1	Screw-Wsh HD Tap (8-18X.50) ■
4	25 139 16-S	1	Plug-Button (9/16) ■
5	24 100 02-S	2	Nut-Plastic ■
6	24 100 01-S	3	Nut-Plastic ■
7	M-645016-S	6	Screw-Flange, Thread Forming (M6X1.0X16) ■
8	24 146 55-S	1	Backing Plate Kit (Includes 25 154 11-S) ■
9	24 063 88-S	1	Baffle-Barrel, Cylinder (No. 2 Side) ■
10	24 063 70-S	1	Baffle-Valley (No. 2 Side) ■
11	24 063 59-S	1	Baffle-Valley (No. 1 Side) ■
12	24 063 85-S	1	Barrel-Cylinder (No.1 Side) ■
	M-561016-S	1	Screw-Flange, Thread Forming (M5X.80X16) ● ■
	M-545016-S	4	Screw-Flange, Thread Forming (M5X0.8X16) ● ■
	M-545020-S	4	Screw-Flange, Thread Forming (M5X.8X20) ● ■
	M-545010-S	2	Screw-HHFTF (M5X.80X10) ● ■
	41 037 10-S	1	Nameplate-Service ● ■

● Not illustrated

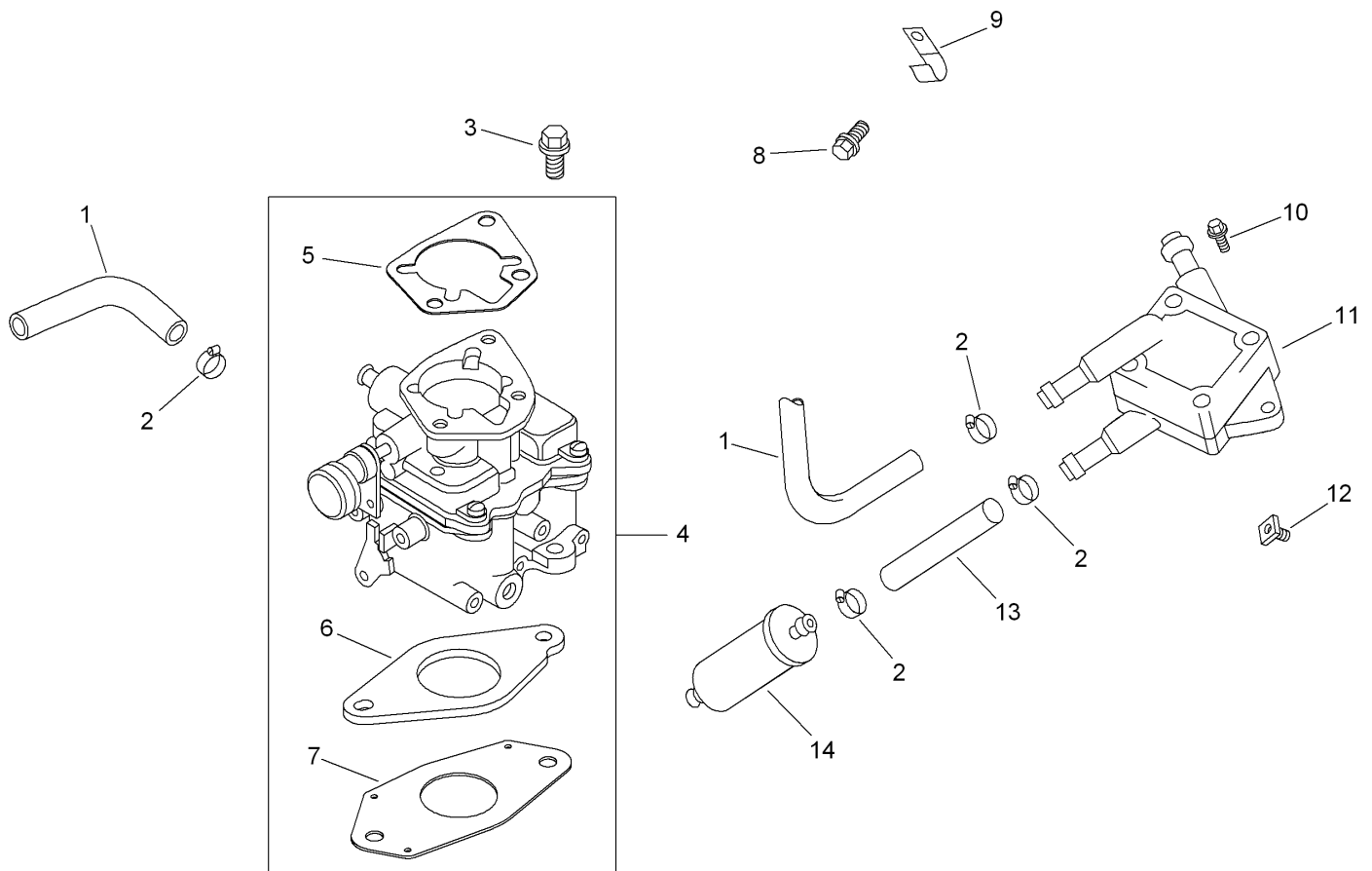
■ Obtain parts from www.kohlerplus.com



Starting System Assembly Kohler CH740-3126

Ref.	Part Number	Qty.	Description
1	M-841080-S	1	Nut-Flange (M8X1.25) ●
2	25 098 11-S	1	Starter ASM (Solenoid Shift) ●
3	M-851080-S	2	Screw-Flange (M8X1.25X80) ●
4	25 435 06-S	1	Solenoid Kit (Includes 5) ●
5	25 086 113-S	3	Screw-Torx Head, External ●
6	25 755 33-S	1	Starter Pinion Kit (Includes 7) ●
7	25 141 05-S	1	Ring-Retaining ●
8	25 221 01-S	1	Brush Holder Kit ●

● Obtain parts from www.kohlerplus.com

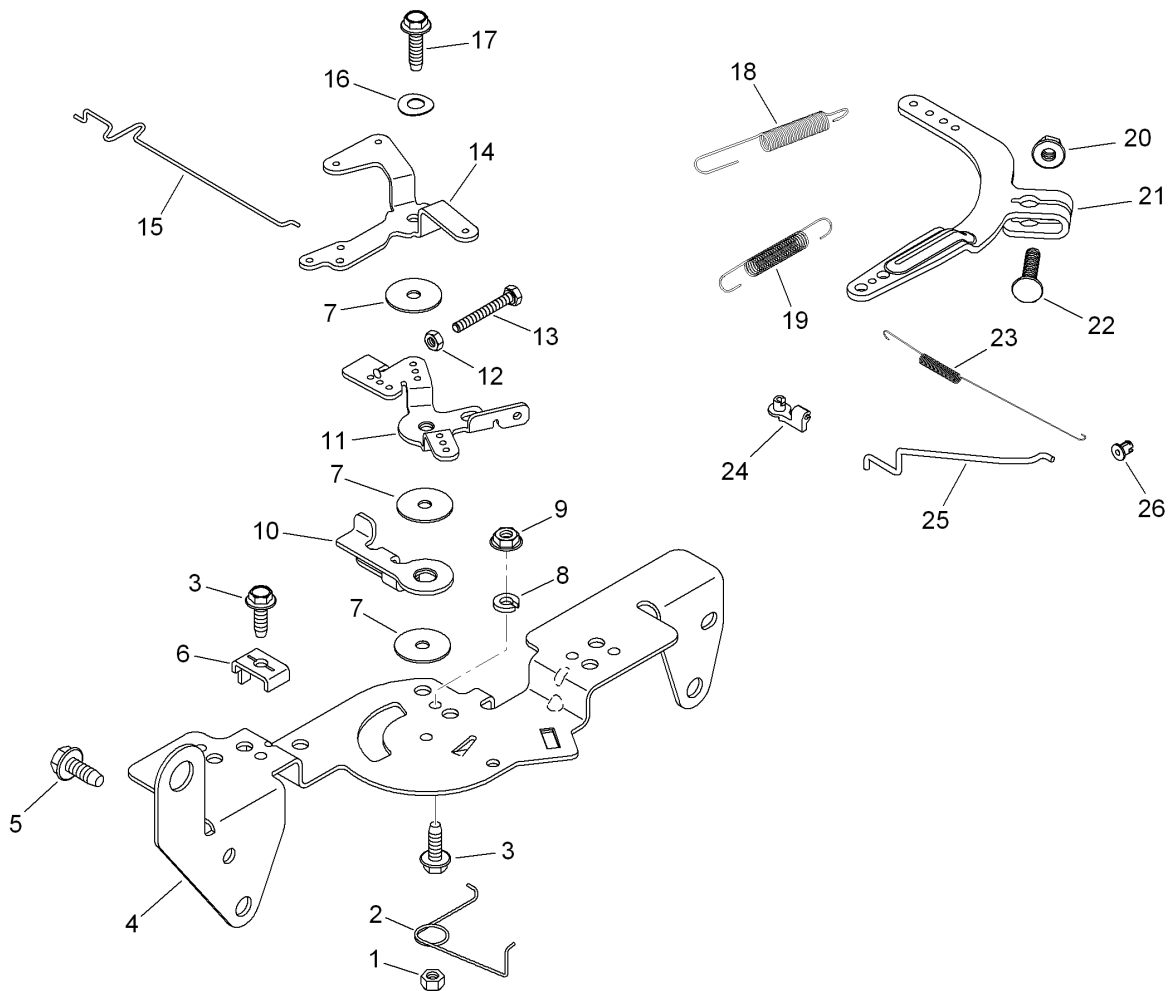


Fuel System Assembly Kohler CH740-3126

Ref.	Part Number	Qty.	Description
1	25 111 34-S	1	Line-Fuel (24.0 Cut To Length) ■
2	25 237 14-S	6	Clamp-Hose, Spring (1/2) ■
3	M-651030-S	2	Screw-Flange (M6X1.0X30) ■
4	24 853 93-S	1	Carburetor Kit W/Gaskets (Includes 5-7) ■
5	24 041 06-S	1	Gasket-Base, Air Cleaner ■
6	24 041 17-S	1	Gasket-Carburetor ■
7	24 041 53-S	1	Gasket-Carburetor ■
8	25 086 158-S	1	Screw-Flanged, Thread Forming (M6X1.0X11) ■
9	47 154 01-S	1	Clip-Cable ■
10	24 086 12-S	2	Screw-TAP (M6X1.7X18) ■
11	24 393 16-S	1	Pump-Fuel ■
12	25 100 37-S	2	Nut-Plastic (Black) ■
13	24 353 02-S	1	Line-Fuel, Flexible (15.5) ■
14	24 050 13-S	1	Filter-Fuel ■
	24 755 137-S	1	High Altitude Kit (10,000+ Ft) ●■
	24 757 07-S	1	Choke Repair Kit ●■
	24 757 02-S	1	Float Repair Kit ●■
	24 757 01-S	1	Solenoid Repair Kit ●■
	24 757 03-S	1	Carburetor Repair Kit ●■
	24 757 08-S	1	Accelerator Pump Repair Kit ●■
	24 757 09-S	1	Accelerator Pump Seal Repair Kit ●■
	24 755 138-S	1	High Altitude Kit (5-10,000 Ft) ●■

● Not illustrated

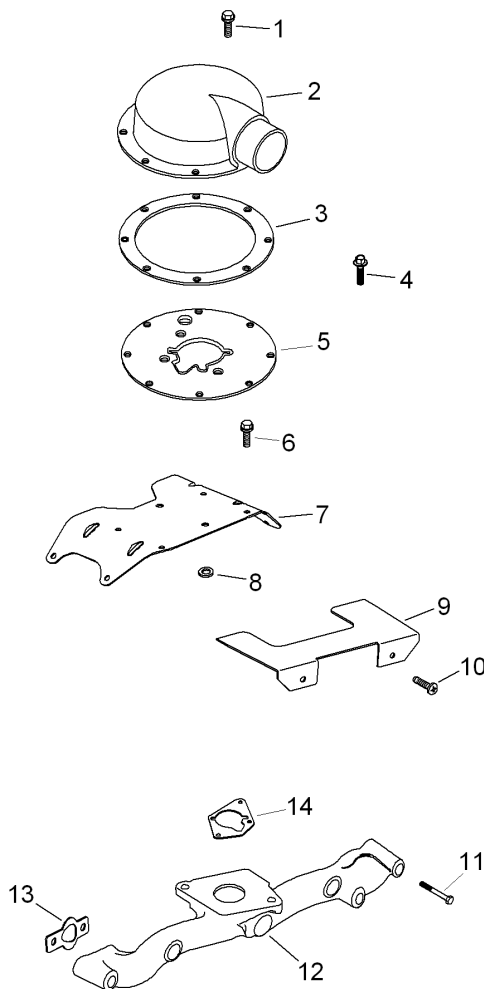
■ Obtain parts from www.kohlerplus.com



Engine Control Assembly Kohler CH740-3126

Ref.	Part Number	Qty.	Description	Ref.	Part Number	Qty.	Description
1	M-547050-S	1	Nut-Lock (M5X.8) ●	15	24 079 21-S	1	Linkage-Choke ●
2	24 089 03-S	1	Spring-Return, Choke ●	16	41 468 03-S	1	Washer-Spring (1/4) ●
3	M-545016-S	3	Screw-Flange, Thread Forming (M5X0.8X16) ●	17	M-545020-S	1	Screw-Flange, Thread Forming (M5X.8X20) ●
4	24 126 56-S	1	Bracket-Control ●	18	24 089 51-S	1	Spring-Limiter, Throttle ●
5	M-645016-S	4	Screw-Flange, Thread Forming (M6X1.0X16) ●	19	24 089 44-S	1	Spring-Governor ●
6	12 237 01-S	2	Clamp-Cable ●	20	M-641060-S	1	Nut-Flange (M6X1.0) ●
7	24 468 01-S	3	Washer-Flat (5.5MM) ●	21	24 090 51-S	1	Lever-Governor ●
8	X-20-1-S	1	Washer-Lock (.25) ●	22	24 211 03-S	1	Bolt-Sq Neck, Rd HD (M6X1.0X25) ●
9	M-541050-S	1	Nut-HF (M5X0.8) ●	23	24 089 01-S	1	Spring-Linkage ●
10	24 090 07-S	1	Lever-Actuator, Throttle ●	24	25 158 11-S	1	Bushing-Retaining, Linkage ●
11	24 090 03-S	1	Lever-Control, Throttle ●	25	24 079 01-S	1	Linkage-Throttle ●
12	M-446030-S	1	Nut (M4X0.7) ●	26	25 158 08-S	1	Bushing-Linkage, Throttle ●
13	M-401030-S	1	Screw (M4X0.7X30) ●				
14	24 090 05-S	1	Lever-Choke ●				

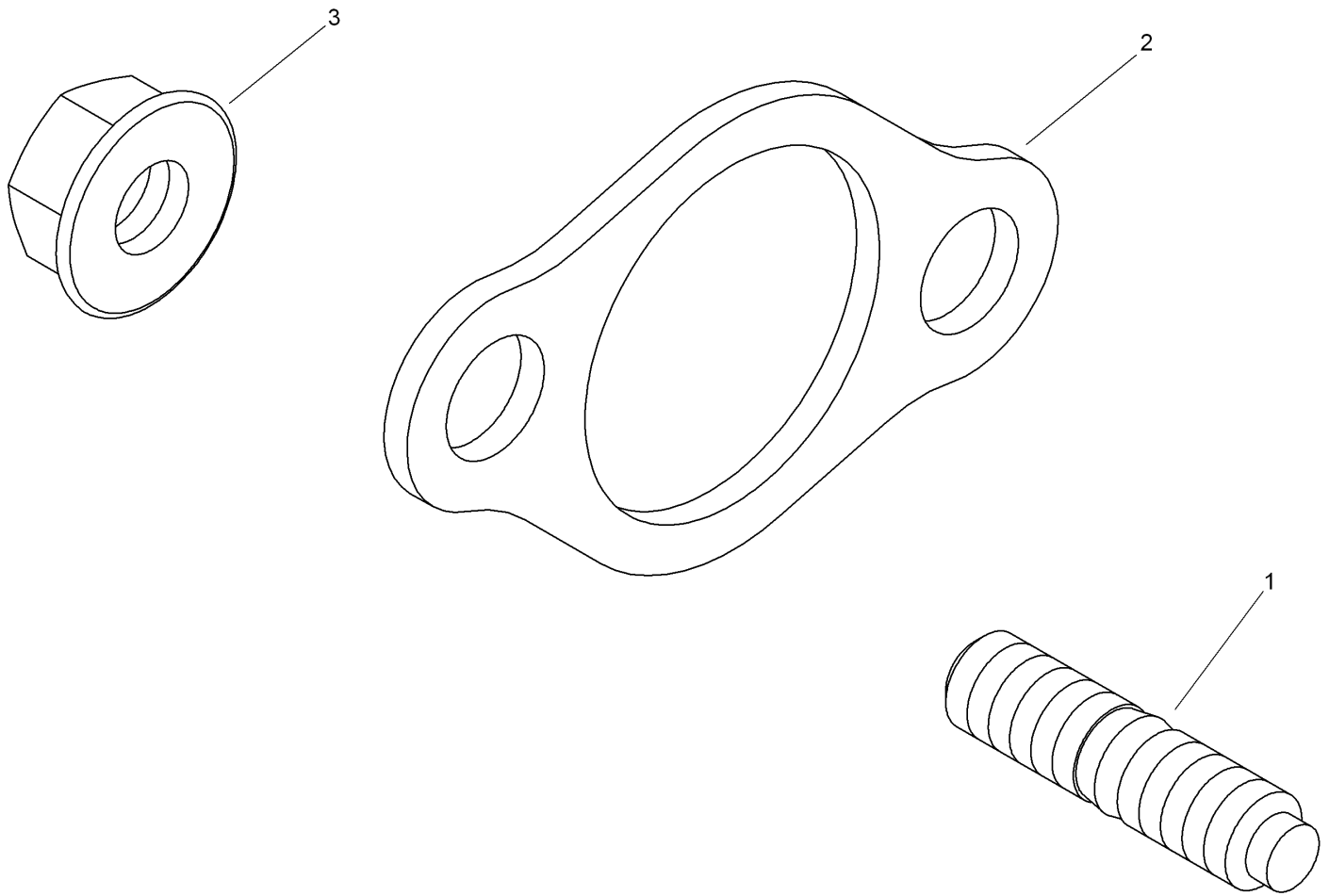
● Obtain parts from www.kohlerplus.com



Air Intake and Filtration Assembly Kohler CH740-3126

Ref.	Part Number	Qty.	Description
1	M-645016-S	7	Screw-Flange, Thread Forming (M6X1.0X16) ●
2	24 029 28-S	1	Adapter-Intake, Air ●
3	24 041 38-S	1	Gasket-Adapter, Air Cleaner ●
4	M-551016-S	1	Screw-Hex Flange, Heavy (M5X0.8X16) ●
5	24 029 35-S	1	Plate-Adapter ●
6	M-639016-S	3	Screw-HF (M6X1.0X16) ●
7	24 126 143-S	1	Bracket-Cleaner, Air ●
8	X-25-12-S	1	Washer-Plain (9/16) ●
9	24 314 29-S	1	Shield-Debris ●
10	24 086 06-S	2	Screw-PPH (11-16X3/4) ●
11	25 086 84-S	4	Screw-HF (M6X1.0X55) ●
12	24 164 14-S	1	Manifold-Intake ●
13	24 041 01-S	2	Gasket-Manifold, Intake ●
14	24 041 06-S	1	Gasket-Base, Air Cleaner ●

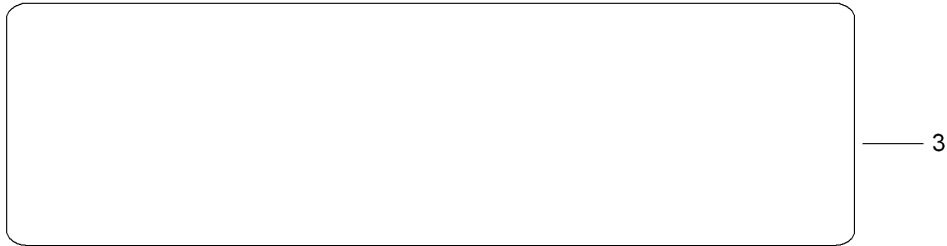
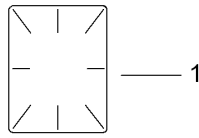
● Obtain parts from www.kohlerplus.com



Exhaust Assembly Kohler CH740-3126

<i>Ref.</i>	<i>Part Number</i>	<i>Qty.</i>	<i>Description</i>
1	25 072 14-S	4	Stud (M8X1.25X33) ●
2	24 041 49-S	2	Gasket-Exhaust ●
3	M-841080-S	4	Nut-Flange (M8X1.25) ●

● Obtain parts from www.kohlerplus.com



Artwork is representative
Actual labels may differ depending on model and specification number

Decal Set Kohler CH740-3126

<i>Ref.</i>	<i>Part Number</i>	<i>Qty.</i>	<i>Description</i>
1	25 113 39-S	1	Decal-Laminate, Clear ●
2	24 113 25-S	1	Decal-Cooler, Oil ●
3	24 113 124-S	1	Decal-27 HP ●

● Obtain parts from www.kohlerplus.com

Attachments and Accessories

For 22322 TX 427 Wide Track Compact Utility Loader

Product Name	Model/Part
Light Kit.....	100-8840
Road Wheel Kit.....	106-7620
Reference Guide Kit	107-9310
Track-Aggressive Tread, Wide	108-9749
Alignment Tool	110-0069
4 Cubic Foot Standard Bucket	22409
Loose Materials Bucket	22410
48in Hydraulic Blade	22414
Rotary Broom	22415
Bore Drive Head	22420
Rod and Reamer	22421
Multi-Purpose Tool.....	22423
Power Box Rake	22425
Stump Grinder	22429
Tree Forks	22438
Cement Bowl	22442
40in Tiller	22445
Snowthrower.....	22456
Crumber Kit	22464
Trencher Head.....	22470
High-Speed Trencher Head	22471
Trench Filler.....	22472
TX Platform.....	22475
Narrow Bucket	22520
Grapple Rake	22521
Auger Head	22805
Universal Swivel Auger Head	22806
Vibratory Plow	22911
Soil Cultivator	23101
Concrete Breaker	23135
Backhoe Fitup Kit.....	23162
Backhoe.....	23163
Adjustable Forks.....	23164
Leveler.....	23165
Spark Arrestor Screen	75-6880

Notes:



Count on it.