



Count on it.

Parts Catalog

**TX 525 Wide Track
Compact Utility Loader**

Model No. 22324—Serial No. 290000001 and Up



Ordering Replacement Parts

To order replacement parts, please supply the part number, the quantity, and the description of each part desired.

Understanding Reference Numbers

Each identified part in an illustration has a reference number. The reference number for a part also appears in the parts list, along with other information about the part.

This catalog uses two special reference number formats, one to indicate parts in a service assembly and another to indicate the quantity of a given part in an illustration.

Service Assembly Reference Numbers

Parts in service assemblies have reference numbers in the form a:b. The a represents the reference number of the entire service assembly and the b represents a sequential number unique to each part within the service assembly.

For example, a wheel assembly might be identified by reference number 6, the tire by 6:1, the valve by 6:2, and the wheel by 6:3. When you order the assembly identified by reference number 6, you receive all parts identified by reference numbers 6:1, 6:2, and 6:3. However, you may also order any part individually. Reference numbers of this type appear in illustration and in parts lists.

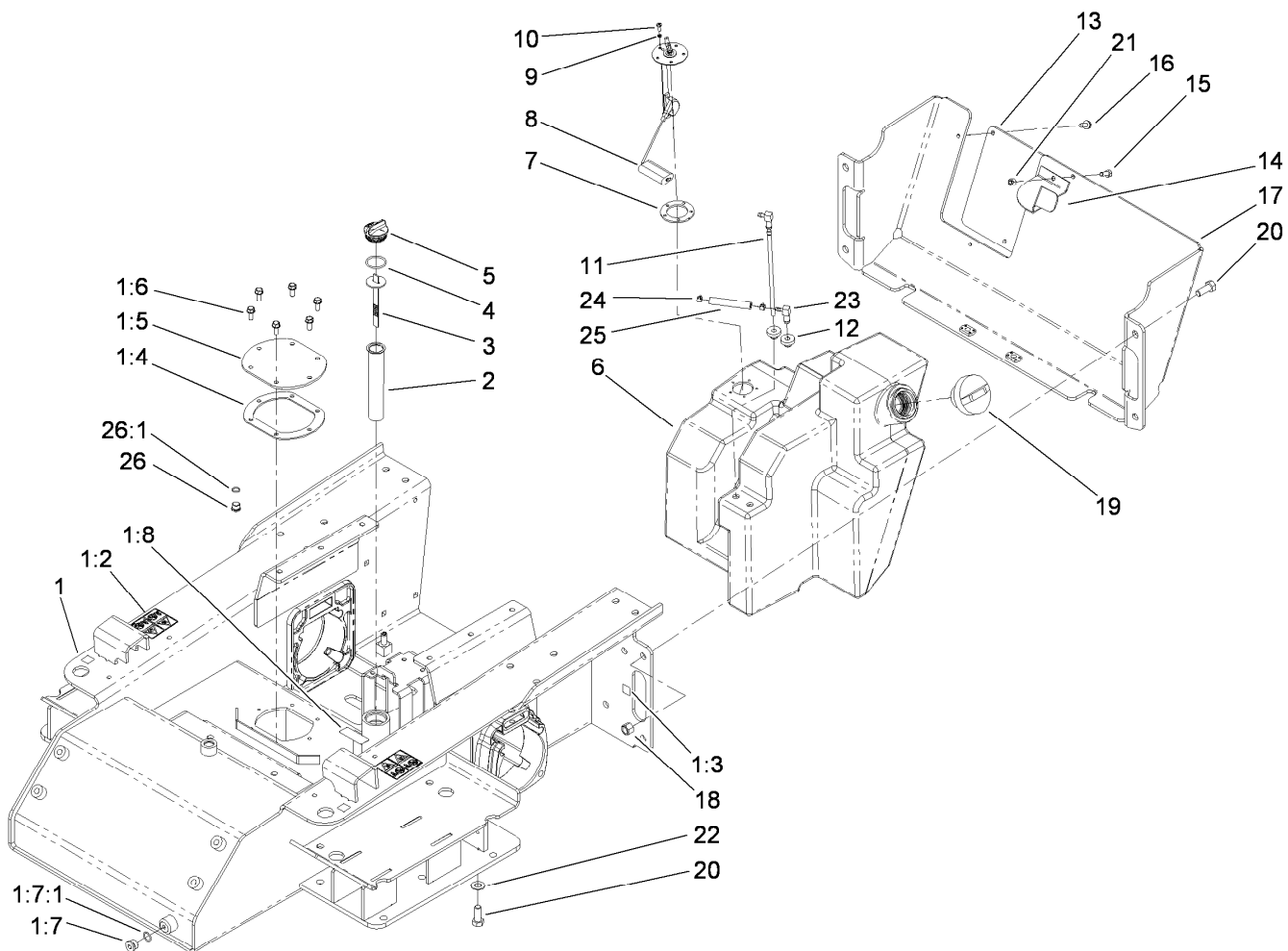
Reference Numbers Indicating Quantity

In an illustration, if a reference number indicates more than one part, the reference number has the form nX y. The n represents the quantity of the part, the X is the multiplication symbol, and the y represents the reference number.

For example, in an illustration, the reference number 2X 37 means that two of the parts identified by reference number 37 are indicated.

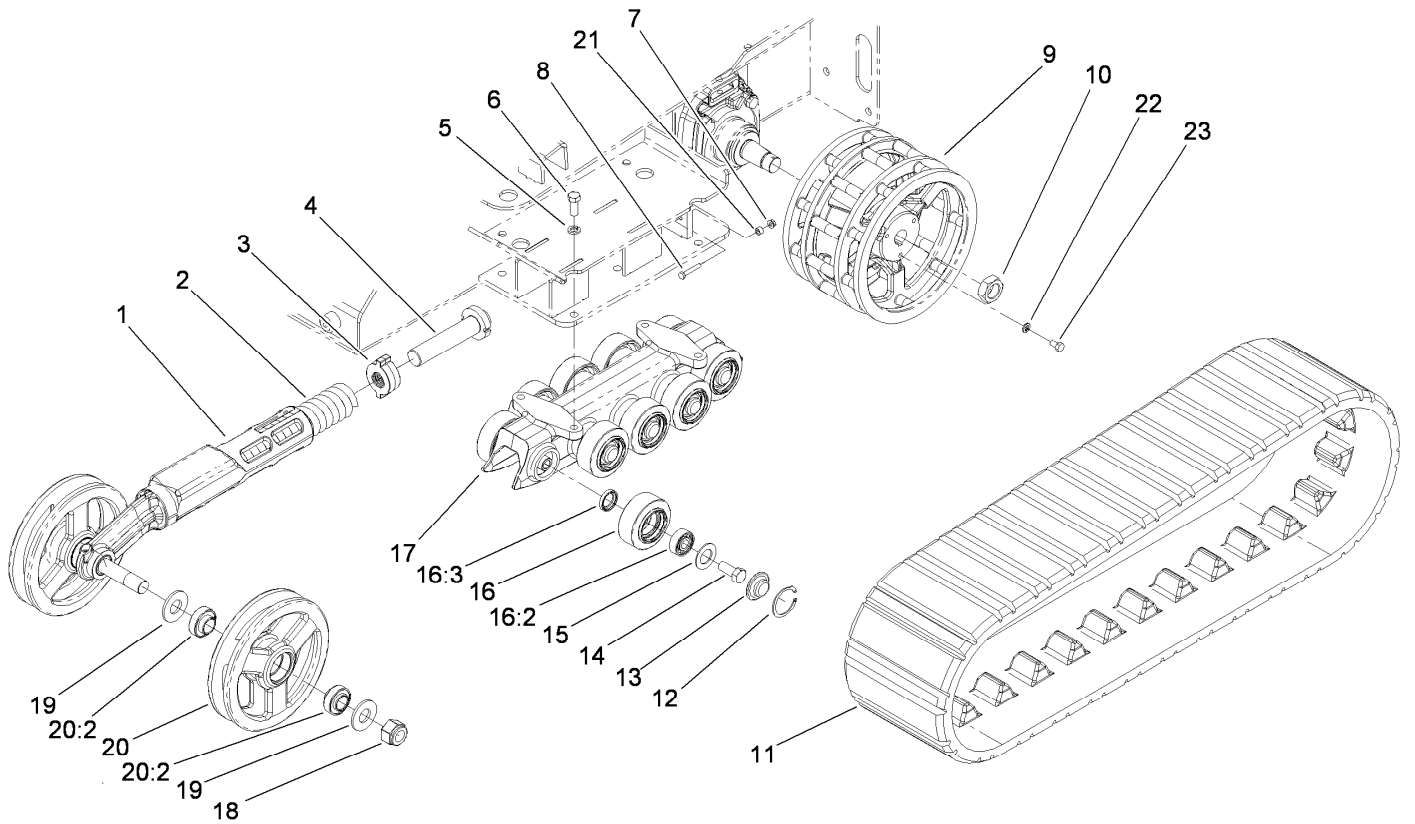
Contents

Main Frame and Fuel Tank Assembly	4
Track and Traction Assembly	5
Parking Brake Assembly	6
Loader Tower, Fuel Pump and Drive Assembly	7
Filter / Water Separator Assembly No. 63-7650	8
Traction Hydraulic Assembly	9
Hydraulic Pump Assembly No. 106-9590 and 106-9591	10
Hydraulic Motor Assembly No. 114-1756	11
Radiator and Air Cleaner Assembly	12
Air Cleaner Assembly No. 99-3160	14
Hydraulic Pump and Filter Assembly	15
Hydraulic Pump Assembly No. 106-9589	17
Control Panel Assembly	18
Traction Control Assembly	19
Principal Hydraulic Assembly	20
Two Spool Valve Assembly No. 106-9307	22
One Spool Valve Assembly No. 104-2831	23
Loader Arm Assembly	24
Loader Arm Hydraulic Assembly	25
Right Hand Hydraulic Lift Cylinder Assembly No. 104-6269	26
Left Hand Hydraulic Lift Cylinder Assembly No. 104-6267	27
Hydraulic Cylinder Assembly No. 105-8370	28
Quick Attach Assembly	29
Electrical System Assembly	30
Grill Assembly	31
Hood Assembly	32
Rear Access Cover Assembly	33
Crankcase Assembly	34
Oil Pan Assembly	35
Cylinder Head Assembly	36
Gear Case and Oil Filter Cartridge Assembly	37
Cylinder Head Cover Assembly	38
Dipstick, Guide and Oil Pump Assembly	39
Main Bearing Case Assembly	40
Cam Shaft and Idle Gear Shaft Assembly	41
Piston and Crankshaft Assembly	42
Flywheel and Fuel Camshaft Assembly	43
Idle Apparatus and Stop Solenoid Assembly	44
Injection Pump and Governor Assembly	45
Speed Control Plate Assembly	46
Nozzle Holder and Glow Plug Assembly	47
Nozzle Holder Assembly	48
Alternator, Pulley and Fuel Pump Cover Assembly	50
Alternator Components Assembly	51
Starter Installation Assembly	52
Starter Components Assembly	53
Oil Switch and Thermometer Assembly	54
Water Flange, Thermostat and Water Pump Assembly	55
Water Pipe Assembly	56
Fan Assembly	57
Valve and Rocker Arm Assembly	58
Inlet Manifold Assembly	59
Exhaust Manifold Assembly	60
Engine Gasket Kits	61
Attachments and Accessories	62



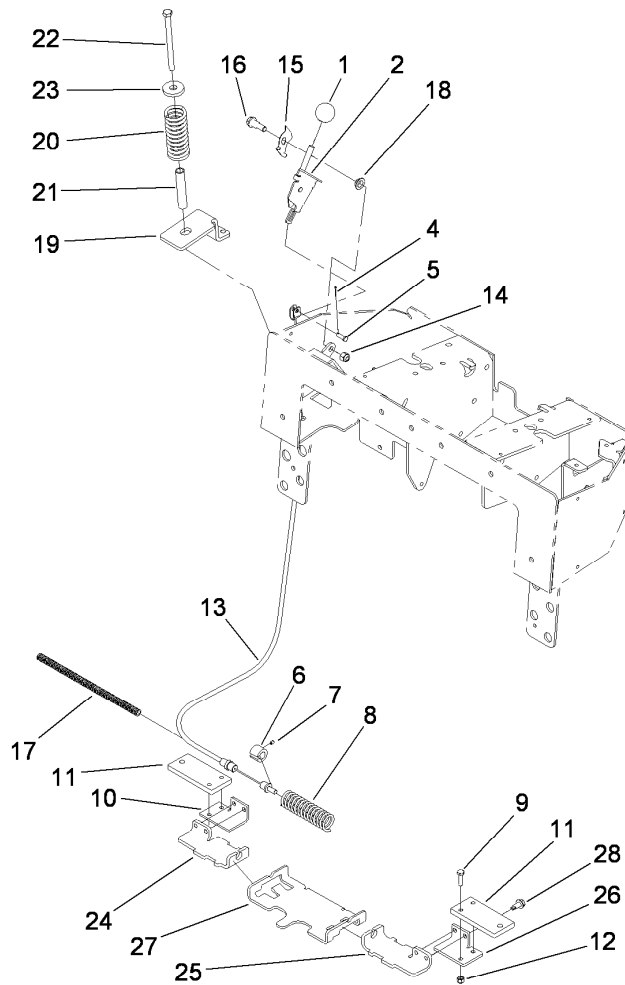
Main Frame and Fuel Tank Assembly

<i>Ref.</i>	<i>Part Number</i>	<i>Qty.</i>	<i>Description</i>	<i>Ref.</i>	<i>Part Number</i>	<i>Qty.</i>	<i>Description</i>
1	115-4832	1	Chassis ASM	11	98-0185	1	Pipe-Stand
1:2	100-4650	2	Decal-Warning	12	46-6560	2	Bushing
1:3	93-9084	4	Decal-Point, Lift	13	108-6267-01	1	Panel-Rear
1:4	107-3557	1	Gasket-Cover, Access	14	108-6273-01	1	Clamp-Tank, Fuel
1:5	108-6297-01	1	Cover-Tank	15	322-3	1	Screw-HH
1:6	98-9940	6	Screw-HHF	16	32144-11	3	Screw-HWH
1:7	353-988	2	Plug-Hex	17	114-8911-01	1	Cover-Rear
1:7:1	237-79	1	O-Ring	18	3296-23	4	Nut-Lock, NI
1:8	93-6686	1	Decal-Oil, HYD	19	107-2172	1	Cap-Diesel
2	61-2790	1	Filter-Screen	20	325-5	6	Screw-HH
3	100-2097	1	Dipstick-Oil	21	3296-29	1	Nut-Lock, NI
4	237-123	1	O-Ring	22	3256-26	2	Washer-Flat
5	93-7498	1	Plug-Plastic	23	104-5228	1	Fitting-Elbow, 90 DEG
6	115-4800	1	Tank-Fuel	24	2412-80	2	Clamp-Hose
7	113372	1	Gasket-Sender, Fuel	25	108-6344	1	Hose-Fuel
8	100-1298	1	Sender-Fuel	26	353-989	1	Plug-Hex, Hollow
9	3253-17	5	Washer-Lock	26:1	237-42	1	O-Ring
10	3250-31	5	Screw-PPH				



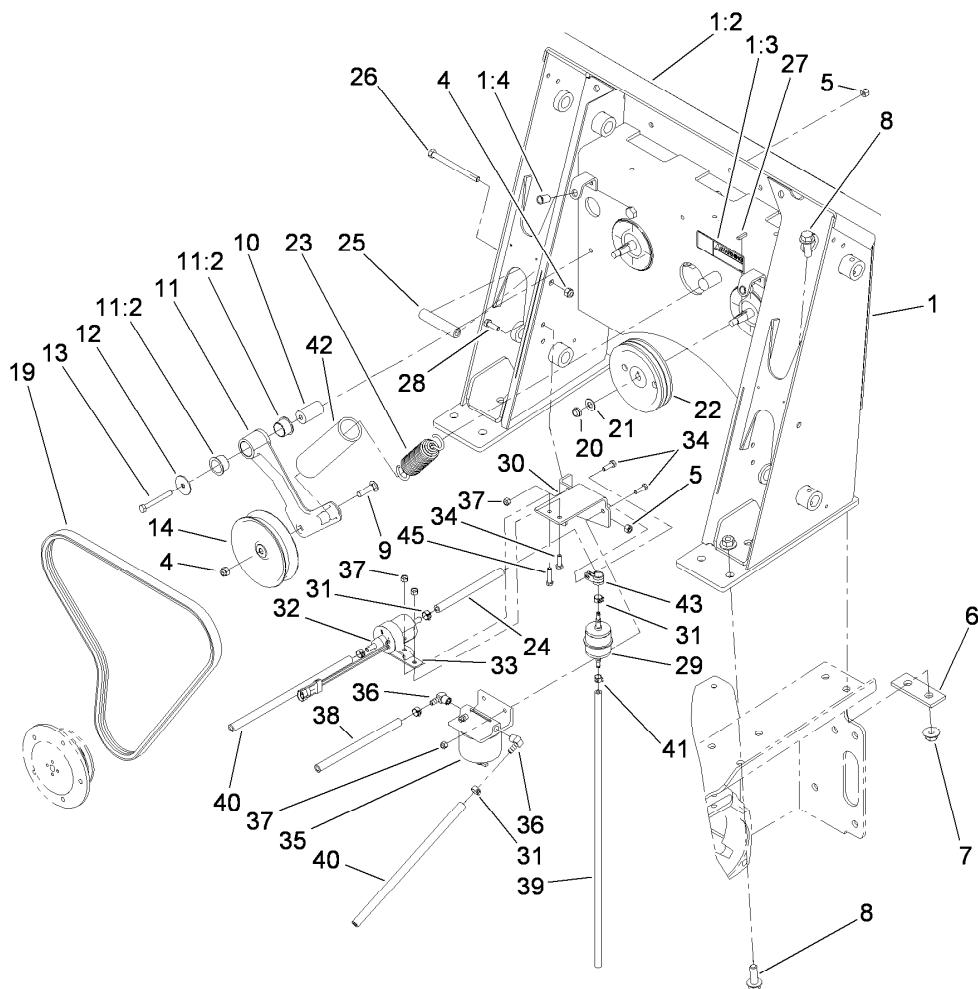
Track and Traction Assembly

<i>Ref.</i>	<i>Part Number</i>	<i>Qty.</i>	<i>Description</i>	<i>Ref.</i>	<i>Part Number</i>	<i>Qty.</i>	<i>Description</i>
1	115-0717-03	2	Arm-Tensioner	14	327-4	20	Screw-HH
2	95-3624	2	Spring-Compression	15	106-7585	20	Gasket-Bogie
3	108-4664	2	Block-Tensioner	16	106-7621	20	Road Wheel ASM
4	98-9846	2	Bolt-Tensioner	16:2	93-4237	1	Bearing
5	3253-7	8	Washer-Lock	16:3	253-118	1	Seal-Oil
6	325-5	8	Screw-HH	17	106-7592-03	2	Guide-Track
7	32128-32	2	Nut-HHF	18	104-2024	4	Nut-Hex, NI
8	321-37	2	Screw-HH	19	115-0722	8	Washer-Plain
9	115-0721-03	2	Wheel-Drive	20	104-6123	4	Tensioner Wheel ASM
10	107-9319	2	Nut-Hex	20:2	104-6129	2	Bearing-Ball
11	100-8931	2	Track	21	98-4799	2	Spacer
12	106-7595	20	Ring-Snap, Internal	22	3253-21	6	Washer-Lock
13	106-7557	20	Cap-Wheel, Bearing	23	323-34	6	Screw-HH



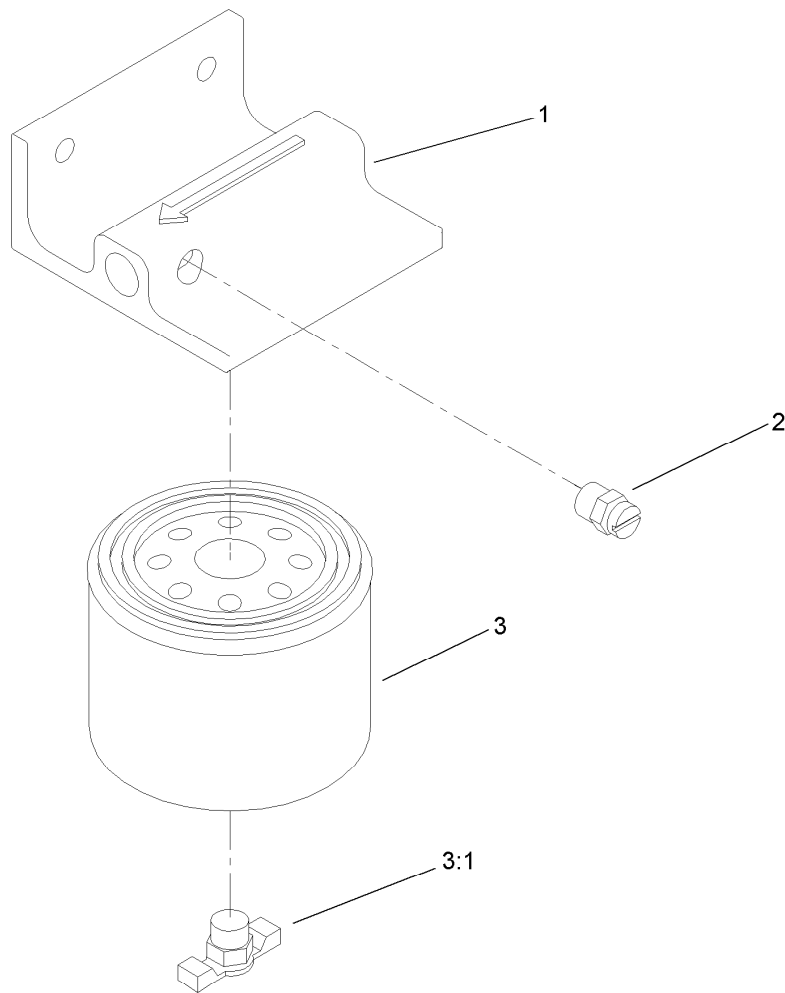
Parking Brake Assembly

<i>Ref.</i>	<i>Part Number</i>	<i>Qty.</i>	<i>Description</i>	<i>Ref.</i>	<i>Part Number</i>	<i>Qty.</i>	<i>Description</i>
1	233-21	1	Knob	16	94-6177	1	Bolt-Shoulder
2	112-2694-03	1	Handle-Brake	17	100-4697	1	Tube-Convoluted
4	3272-1	1	Pin-Cotter	18	93-2368	1	Bushing-Flange
5	283-67	1	Pin-Clevis	19	115-4854-03	1	Bracket-Cable, Spring
6	100-6274	2	Tube-Guide	20	114-1254	1	Spring-Compression
7	3245-20	2	Screw-Set	21	114-1255	1	Spacer-Spring
8	100-1678	1	Spring	22	323-21	1	Screw-HH
9	321-6	4	Screw-HH	23	98-0691	1	Washer-Hardened
10	112-2789-03	1	Bar-Link, Brake RH	24	112-2788-03	1	Bracket-Mounting, Brake RH
11	112-2735-03	2	Plate-Brake	25	112-2733-03	1	Bracket-Mounting, Brake LH
12	3296-42	4	Nut-Lock, NI	26	112-2734-03	1	Bar-Link, Brake LH
13	112-2791	1	Cable-Brake	27	110-0224-03	1	Support-Bar, Brake
14	3296-39	2	Nut-Lock, NI	28	32104-32	4	Screw-HWH
15	112-2695	1	Spring-Leaf				



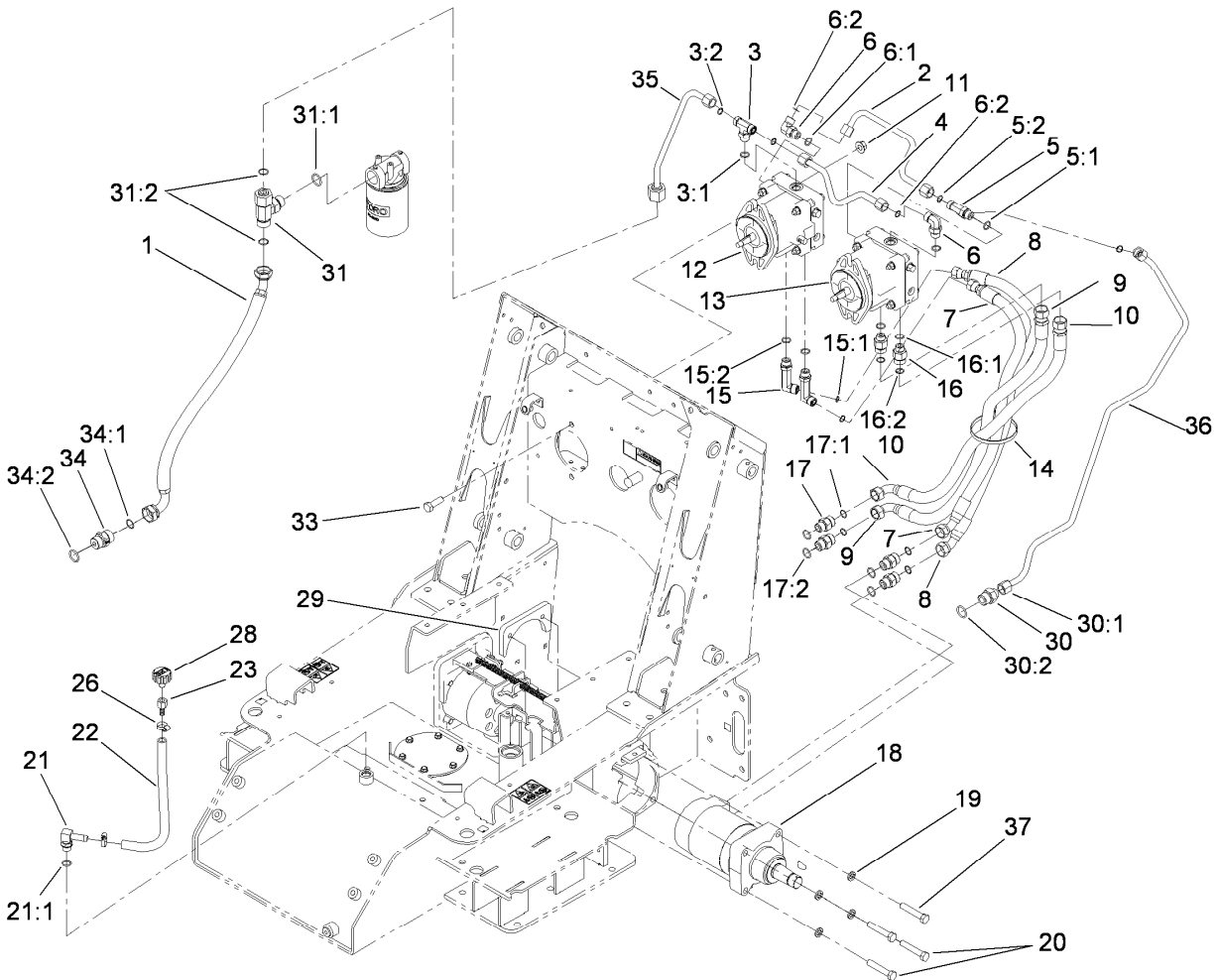
Loader Tower, Fuel Pump and Drive Assembly

<i>Ref.</i>	<i>Part Number</i>	<i>Qty.</i>	<i>Description</i>	<i>Ref.</i>	<i>Part Number</i>	<i>Qty.</i>	<i>Description</i>
1	115-0762	1	Loader Tower ASM	24	108-3280	1	Hose-Fuel
1:2	115-4864	1	Decal-Panel, Control	25	100-1271	2	Tube-Spacer
1:3	93-7814	1	Decal-Danger	26	323-23	2	Screw-HH
1:4	32148-8	2	Nut-Clinch	27	3-6168	2	Key
4	3296-39	3	Nut-Lock, NI	28	322-5	2	Screw-HH
5	3296-29	3	Nut-Lock, NI	29	112-7836	1	Filter-Inline
6	100-6123-01	2	Plate-Stiffener	30	117-1346-03	1	Bracket-Pump, Fuel
7	32128-52	10	Nut-Lock, Flange	31	92-2379	6	Clamp-Hose
8	100-6116	10	Screw-HHF	32	110-8806	1	Pump-Fuel
9	3231-26	1	Screw-CARR	33	110-8817	1	Bracket-Pump, Fuel
10	112-2586	1	Spacer-Mounting	34	321-5	4	Screw-HH
11	112-2588	1	Idler Arm ASM	35	63-7650	1	Separator-Filter / Water
11:2	112-2587	2	Bushing-Flange	36	353-781	2	Fitting-HYD, 90
12	3256-68	1	Washer-Flat	37	3296-42	5	Nut-Lock, NI
13	322-13	1	Screw-HH	38	110-4124	1	Hose-Fuel
14	95-3707	1	Pulley-Idler	39	109-0302	1	Hose-Fuel
19	108-6262	1	V-Belt	40	106-1126	1	Hose-Fuel
20	3296-38	2	Nut-Lock, NI	41	2412-98	2	Clamp-Hose
21	3256-25	2	Washer-Flat	42	112-2409	1	Retainer-Spring
22	106-5710-03	2	Pulley	43	2412-134	1	Clamp-R
23	105-0383	1	Spring-Extension	45	321-8	1	Screw-HH



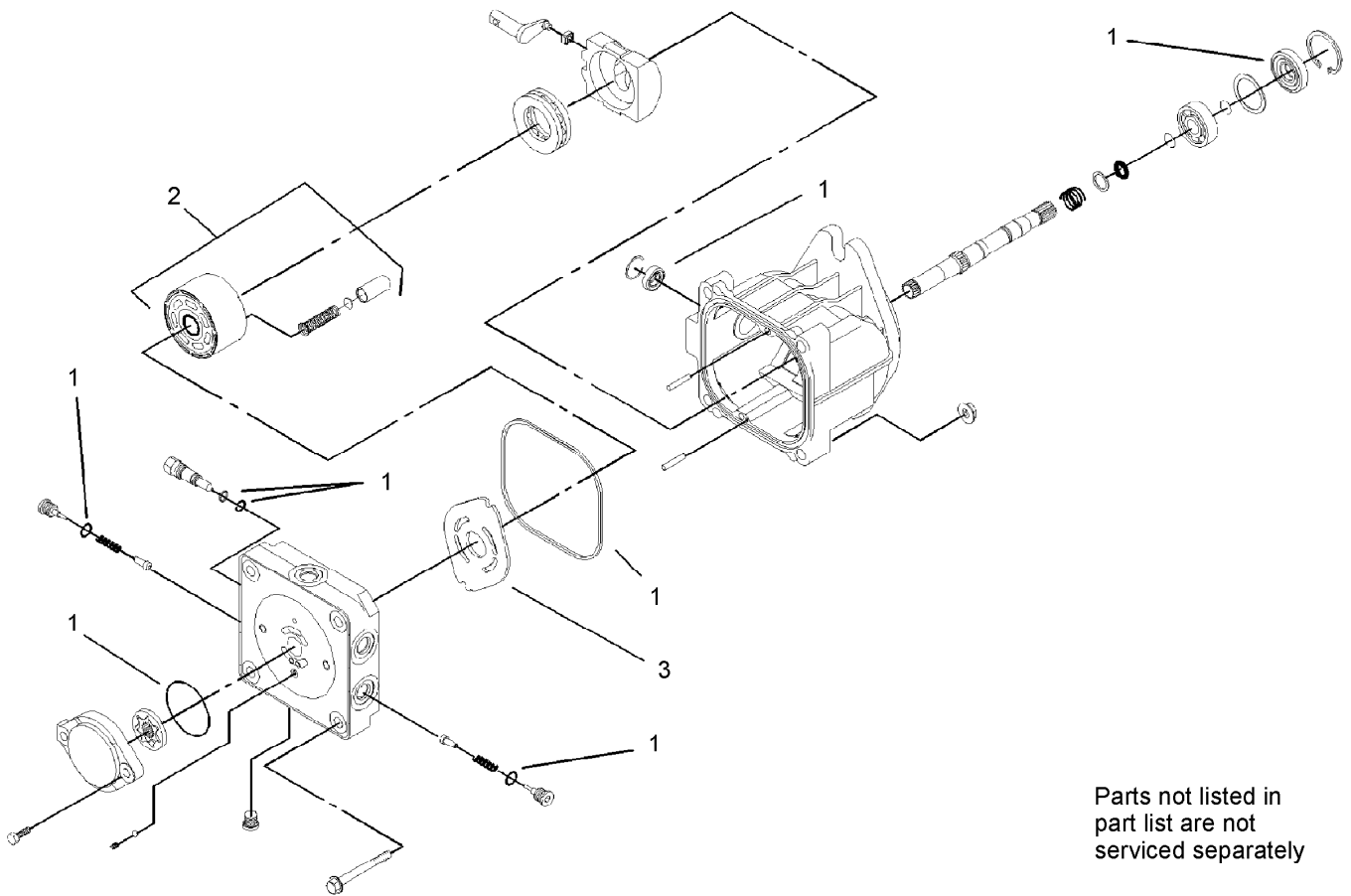
Filter / Water Separator Assembly No. 63-7650

<i>Ref.</i>	<i>Part Number</i>	<i>Qty.</i>	<i>Description</i>
1	63-8280	1	Head ASM
2	63-8290	1	Vent-Air
3	63-8300	1	Element-Spin On
3:1	63-8310	1	Valve-Drain



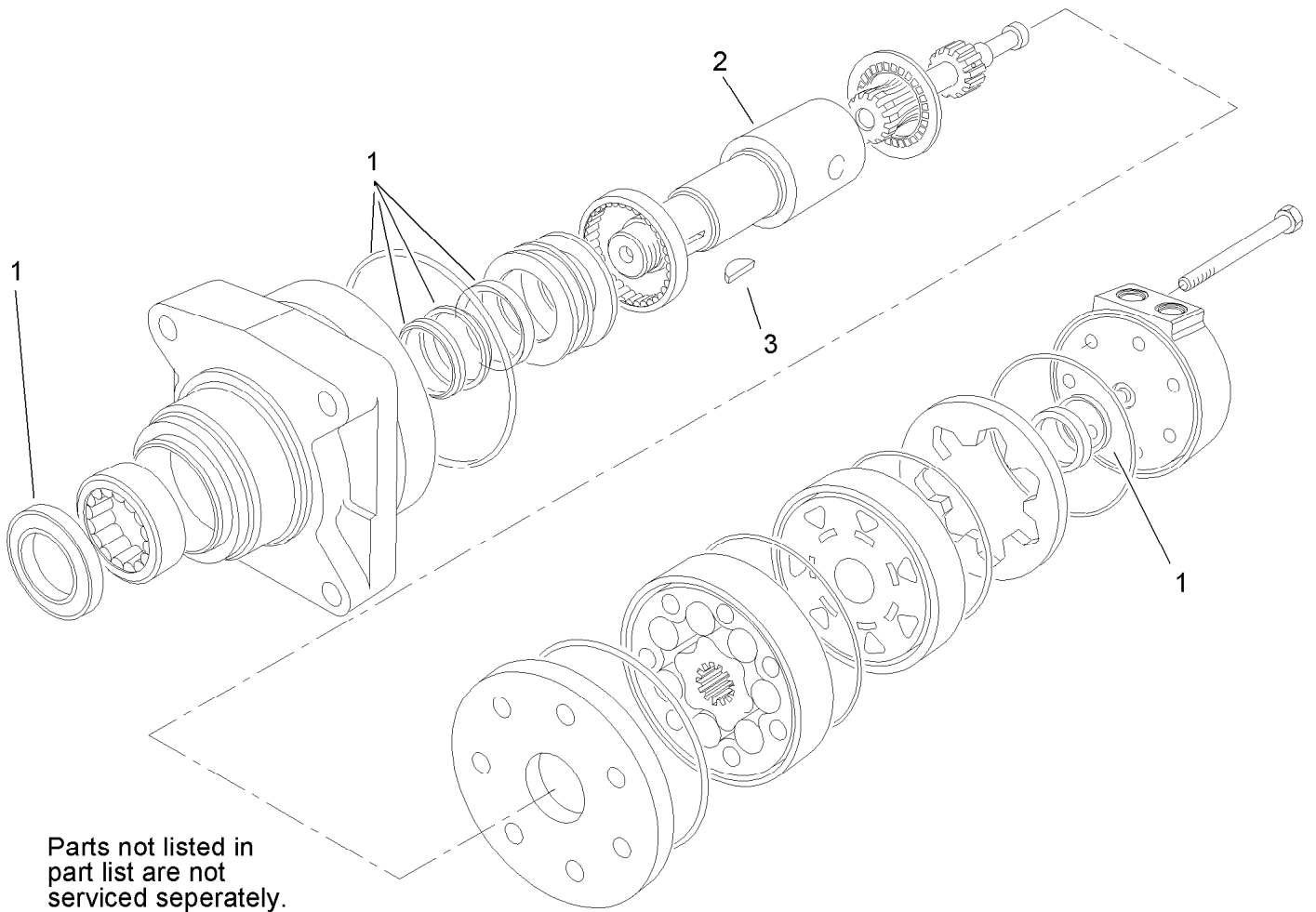
Traction Hydraulic Assembly

Ref.	Part Number	Qty.	Description	Ref.	Part Number	Qty.	Description
1	112-2562	1	Hose-HYD	17	340-7	4	Fitting-Straight
2	98-0200	1	Tube-HYD	17:1	237-65	1	O-Ring
3	340-157	1	Fitting-HYD, Tee	17:2	237-80	1	O-Ring
3:1	237-79	1	O-Ring	18	114-1756	2	HYD Motor ASM
3:2	237-30	2	O-Ring	19	3253-7	8	Washer-Lock
4	106-9330	1	Tube-HYD	20	115-4845	4	Screw-HH, TAP
5	340-109	1	Fitting-Tee	21	354-120	1	Fitting-Elbow, 90
5:1	237-79	1	O-Ring	21:1	237-79	1	O-Ring
5:2	237-30	2	O-Ring	22	103-1964	1	Hose-Drain, Oil
6	340-98	2	Fitting-Elbow, 90 DEG	23	354-94	1	Fitting-Female, Barbed
6:1	237-79	1	O-Ring	26	2412-36	2	Clamp-Hose
6:2	237-30	1	O-Ring	28	68-6150	1	Breather
7	107-3631	1	Hose-HYD	29	98-2763-03	2	Plate-Mounting
8	107-3632	1	Hose-HYD	30	100-4240	1	Fitting-STR
9	115-4827	1	Hose-HYD	30:1	237-30	1	O-Ring
10	115-4826	1	Hose-HYD	30:2	237-81	1	O-Ring
11	32128-52	4	Nut-Lock, Flange	31	100-4836	1	Fitting-Tee
12	106-9590	1	Pump-HYD, RH	31:1	237-81	1	O-Ring
13	106-9591	1	Pump-HYD, LH	31:2	237-58	2	O-Ring
14	3334-945	1	Tie-Cable	33	325-6	4	Screw-HH
15	99-6160	2	Fitting-Elbow, 90 Long	34	108-6306	1	Valve-Check, HYD
15:1	237-30	1	O-Ring	34:1	237-30	1	O-Ring
15:2	237-79	1	O-Ring	34:2	237-81	1	O-Ring
16	340-155	2	Fitting-Straight	35	107-3634	1	Tube-HYD
16:1	237-79	1	O-Ring	36	107-3633	1	Tube-HYD
16:2	237-151	1	O-Ring	37	325-19	4	Screw-HH



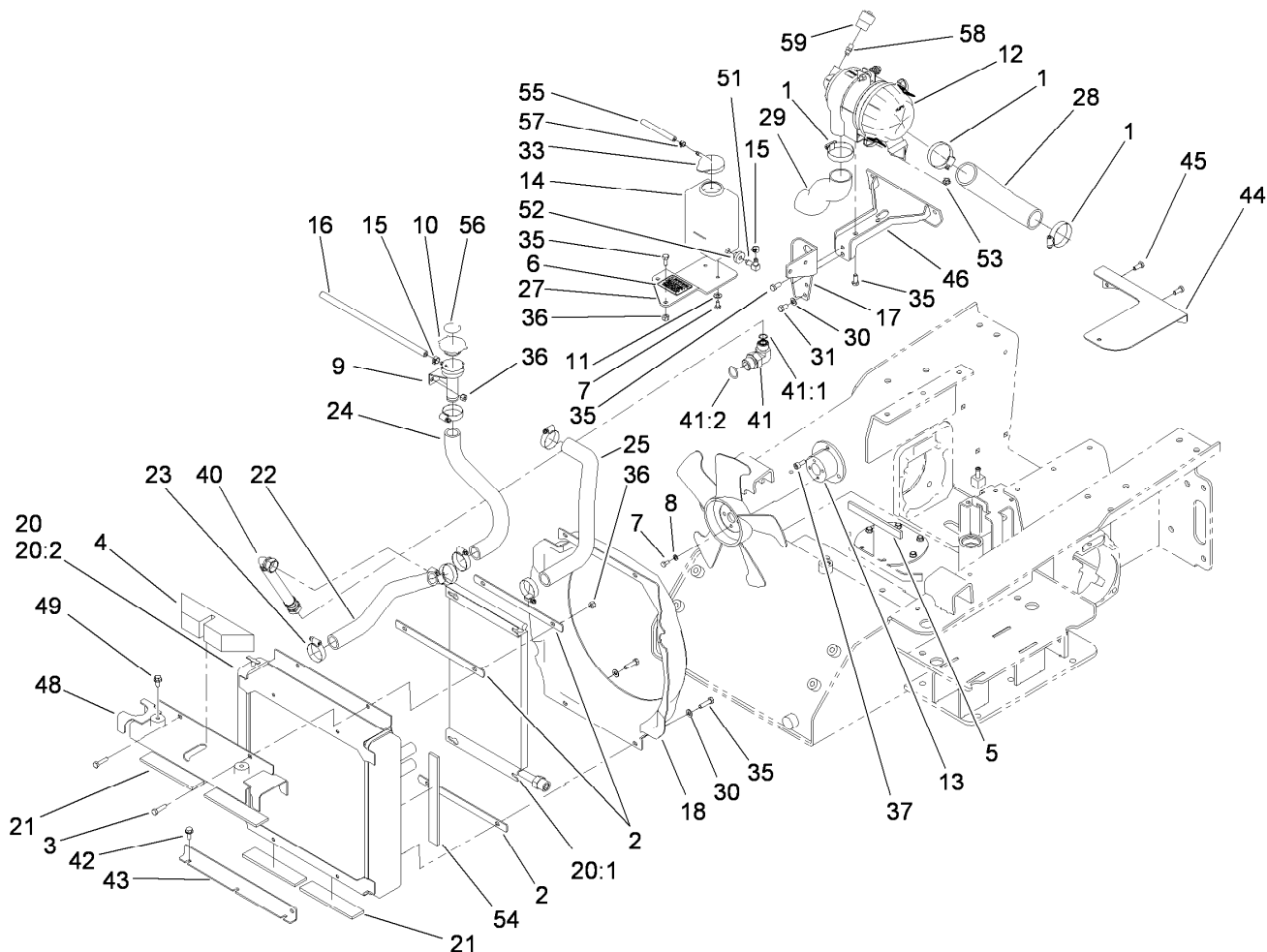
Hydraulic Pump Assembly No. 106-9590 and 106-9591

<i>Ref.</i>	<i>Part Number</i>	<i>Qty.</i>	<i>Description</i>
1	100-6110	1	Overhaul Seal Kit
2	94-1913	1	Cylinder Block ASM
3	100-6112	1	Plate-Valve



Hydraulic Motor Assembly No. 114-1756

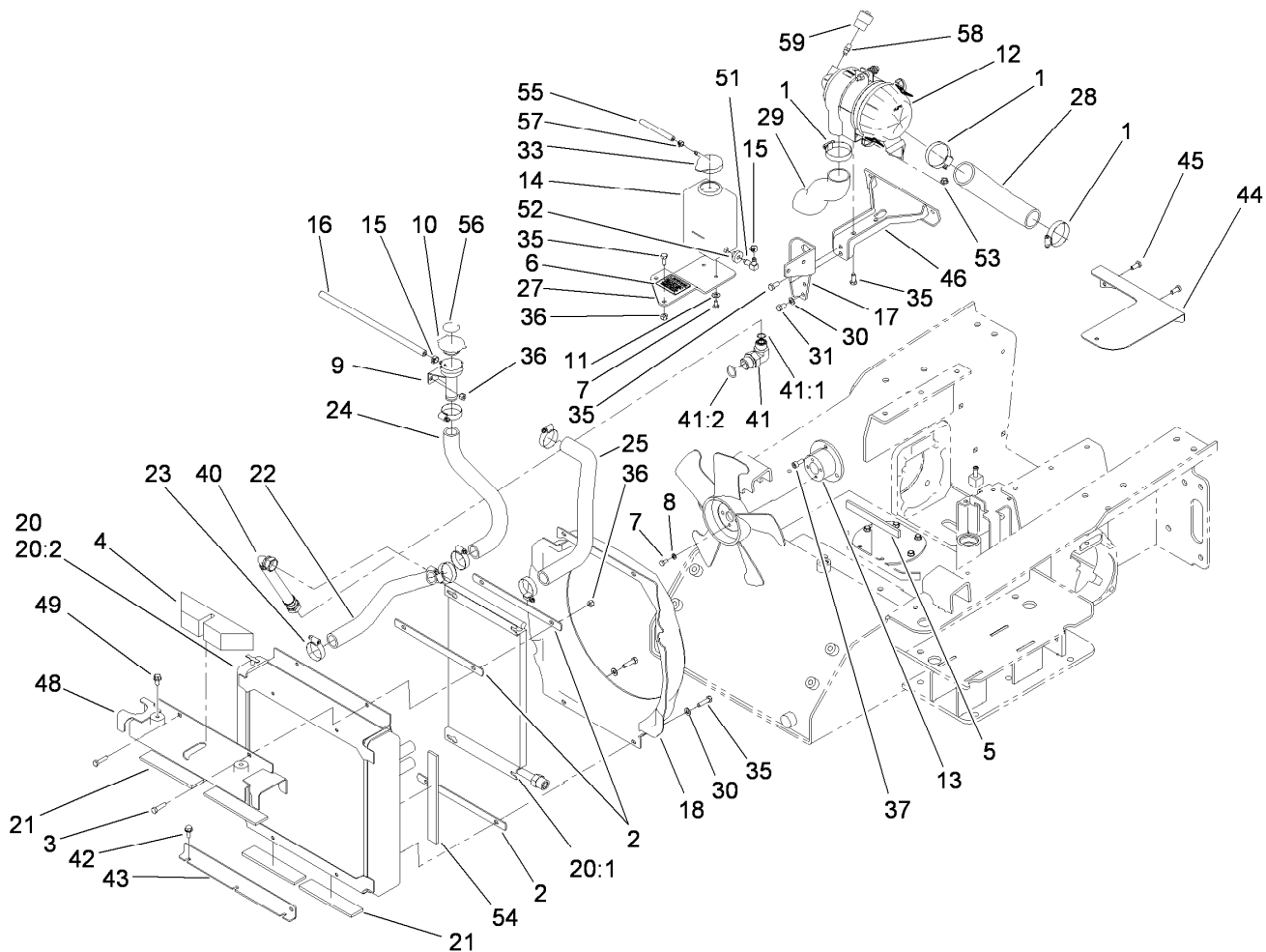
<i>Ref.</i>	<i>Part Number</i>	<i>Qty.</i>	<i>Description</i>
1	100-6131	1	Seal Kit
2	106-7645	1	Coupling-Shaft
3	3257-42	1	Key-Woodruff



Radiator and Air Cleaner Assembly

Ref.	Part Number	Qty.	Description	Ref.	Part Number	Qty.	Description
1	2412-92	3	Clamp-Hose	24	108-6310	1	Hose-Radiator
2	108-6395-03	3	Plate-Backing	25	112-2459	1	Hose-Radiator, Lower
3	322-6	4	Screw-HH	27	112-2458-03	1	Bracket-Tank, Overflow
4	108-6372	1	Seal-Foam	28	108-6336	1	Hose-Air, Inlet
5	112-2466	1	Pad-Rubber	29	112-2431	1	Hose-Air
6	115-4865	1	Decal-Fill, Radiator	30	3256-23	4	Washer-Plain
7	321-2	6	Screw-HH	31	99-5132	2	Bolt
8	3253-3	4	Washer-Lock	33	1-643164	1	Cap-Tank, Overflow
9	108-6312	1	Tube-Filler, Radiator	35	322-3	8	Screw-HH
10	93-5957	1	Cap-Radiator	36	3296-29	8	Nut-Lock, NI
11	3256-22	2	Washer-Flat	37	108-6343	3	Screw-HSH,Lock
12	99-3160	1	Air Cleaner ASM	40	112-2442	1	Hose-HYD
13	112-2576-03	1	Spacer-Machined	41	340-139	1	Fitting-Elbow 90
14	1-643163	1	Tank-Overflow	41:1	237-81	1	O-Ring
15	92-2379	2	Clamp-Hose	41:2	237-65	1	O-Ring
16	110-4110	1	Hose-Fuel	42	32144-11	3	Screw-HWH
17	107-3645-03	1	Mount-Filter, Air	43	108-6397-03	1	Mount-Radiator
18	108-6347	1	Shroud-Fan	44	108-6362	1	Plate-Baffle, Starter
20		1	Radiator And Oil Cooler ASM ●	45	33114-020	2	Screw-HH
20:1	106-9597	1	Cooler-Oil, HYD	46	108-6390-03	1	Bracket ASM
20:2	106-9595	1	Radiator	48	112-2440-03	1	Bracket-Radiator
21	112-2401	4	Pad-Rubber	49	3234-12	2	Screw-HHF
22	108-6309	1	Hose-Radiator	51	46-6550	1	Fitting-Elbow, 90 DEG
23	2412-34	6	Clamp-Hose	52	46-6560	1	Bushing
				53	32128-20	2	Nut-HF

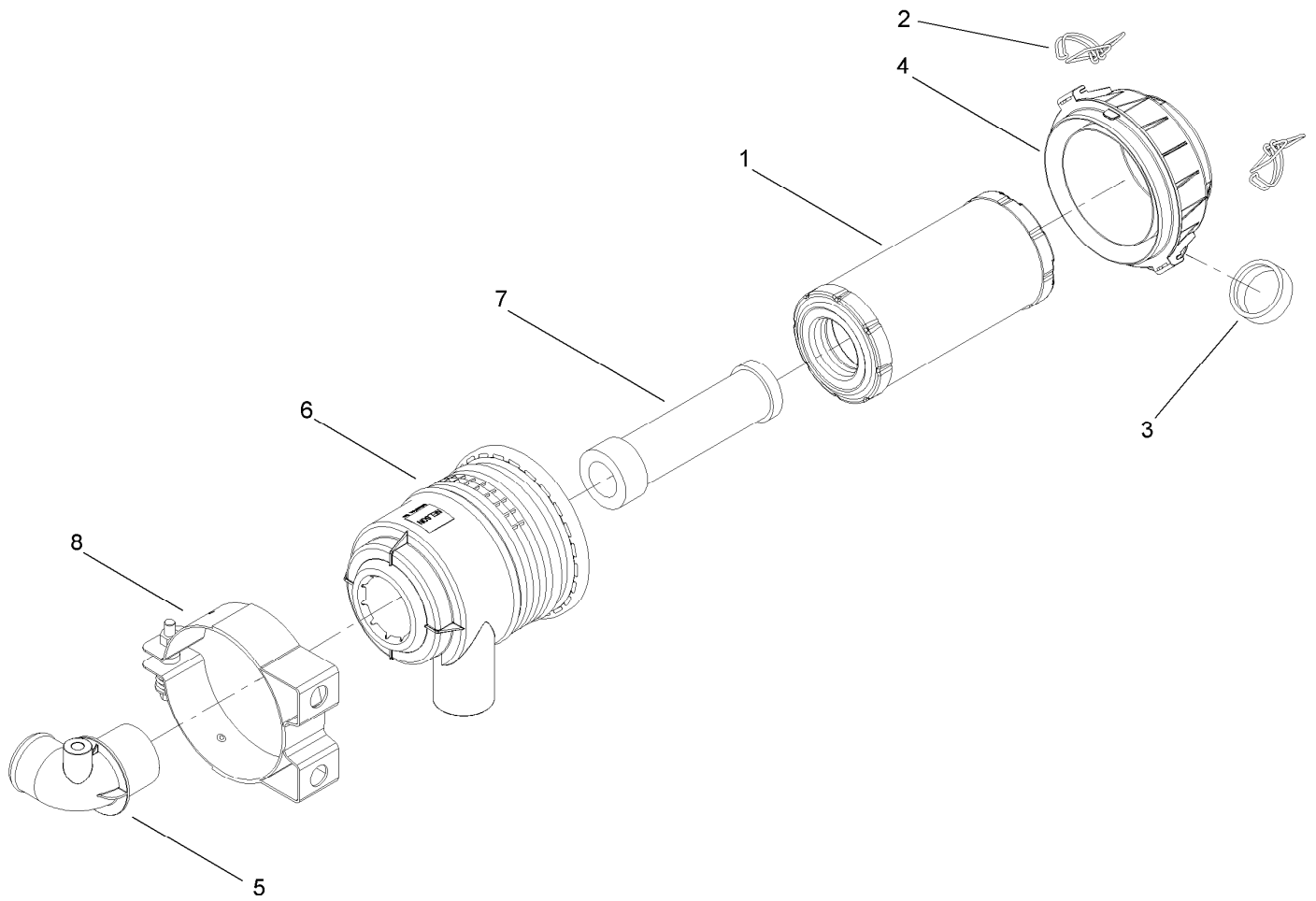
● Not serviced separately



Radiator and Air Cleaner Assembly (continued)

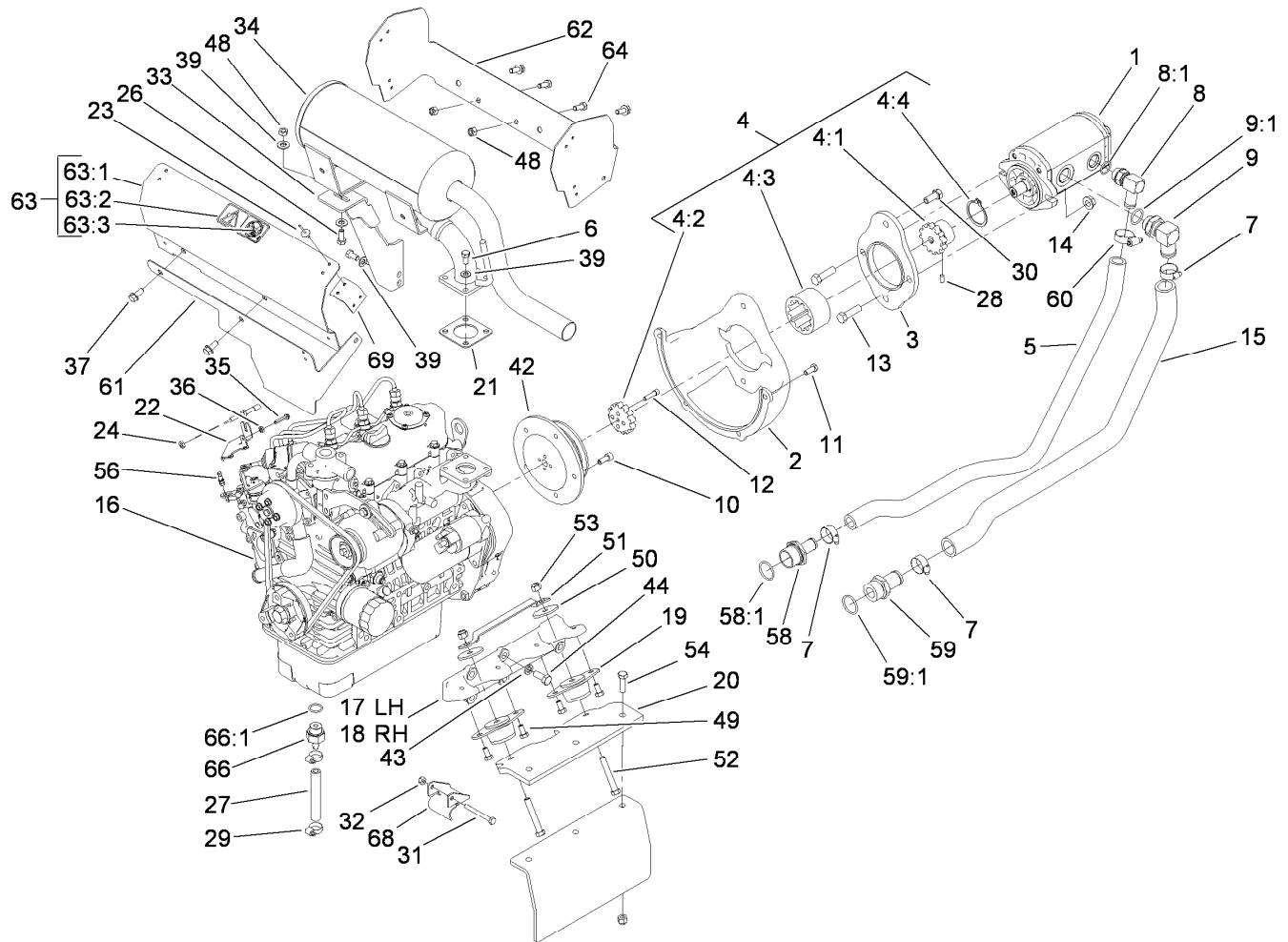
<i>Ref.</i>	<i>Part Number</i>	<i>Qty.</i>	<i>Description</i>	<i>Ref.</i>	<i>Part Number</i>	<i>Qty.</i>	<i>Description</i>
54	112-2529	2	Foam-Seal	57	2412-80	1	Clamp-Hose
55	108-6344	1	Hose-Fuel	58	105-4292	1	Nipple-Pipe
56	106-6755	1	Decal-Cap, Radiator	59	93-9164	1	Indicator-Mini

● Not serviced separately



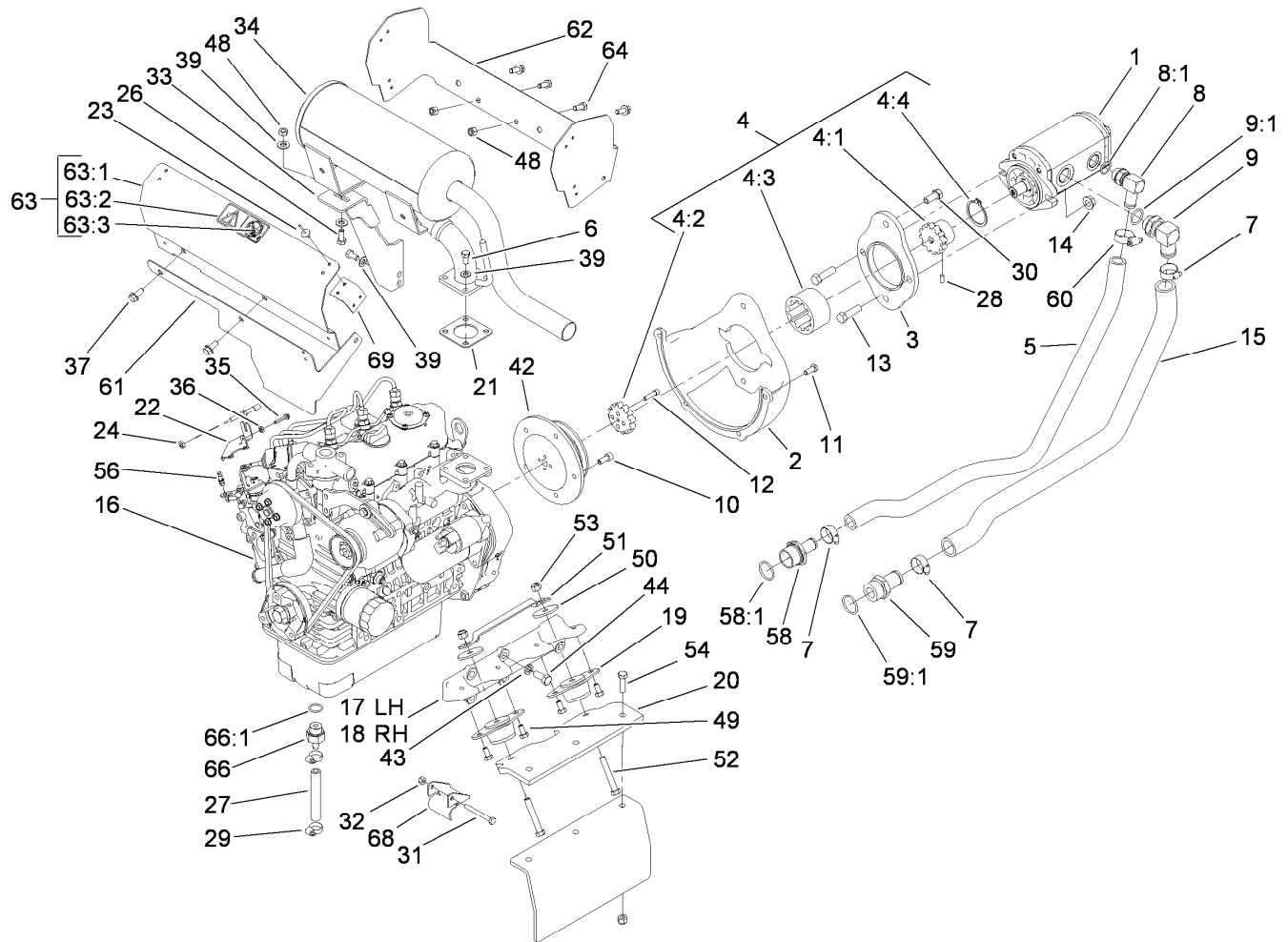
Air Cleaner Assembly No. 99-3160

<i>Ref.</i>	<i>Part Number</i>	<i>Qty.</i>	<i>Description</i>
1	99-3173	1	Element-Filter, Air
2	99-3174	2	Clip-Cleaner, Air
3	99-3175	1	Valve-Ejector, Dust
4	99-3176	1	Cover
5	99-3183	1	Tube ASM
6	99-3184	1	Housing
7	99-3198	1	Filter-Safety
8	99-3197	1	Mounting Bracket ASM



Hydraulic Pump and Filter Assembly

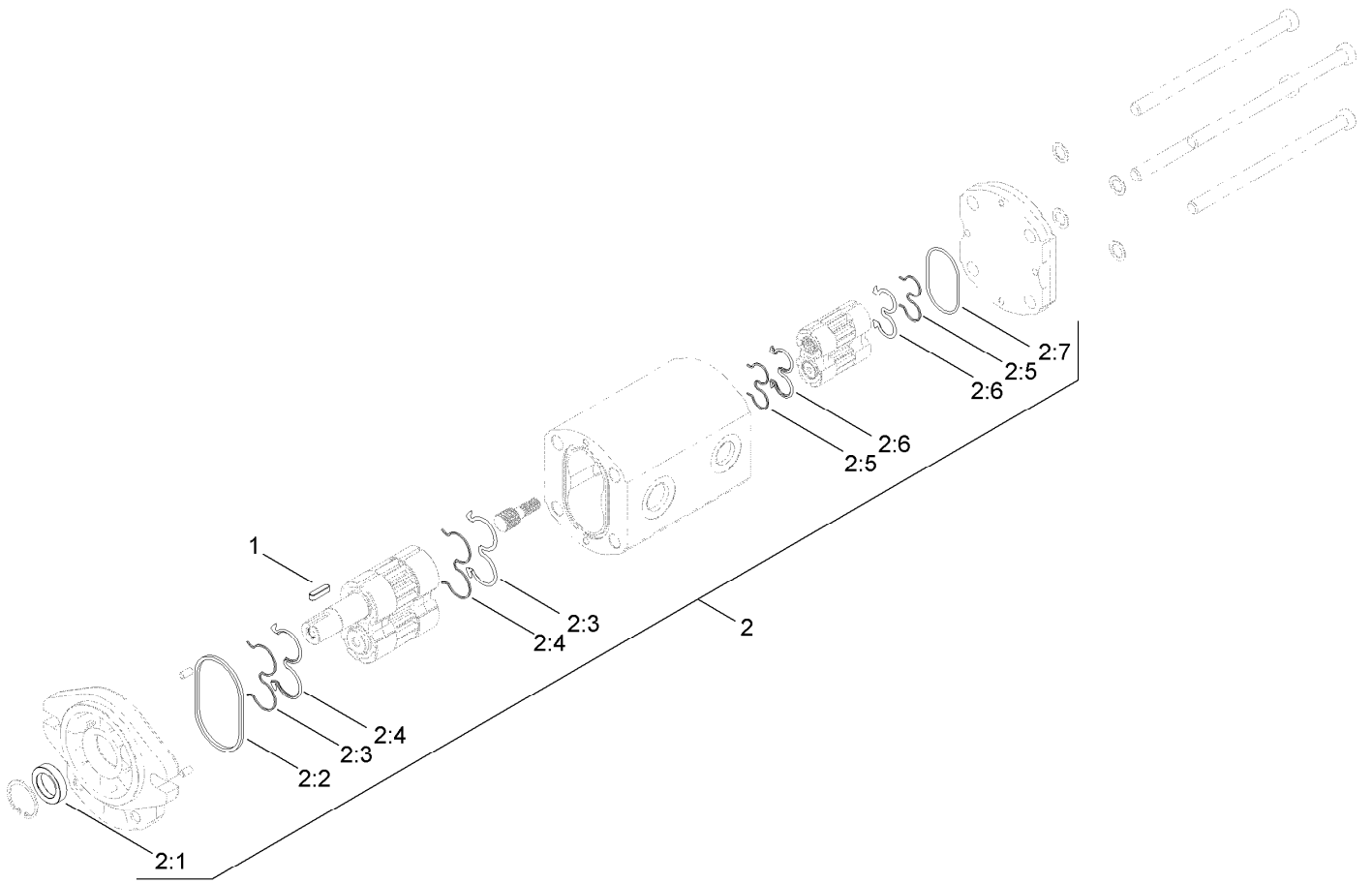
Ref.	Part Number	Qty.	Description	Ref.	Part Number	Qty.	Description
1	106-9589	1	Pump-HYD	22	108-5922	1	Bracket-Support, Throttle
2	108-6235-03	1	Pump-Mount	23	146489	16	Rivet
3	108-6211-03	1	Plate-Mount, Pump	24	3220-1	2	Nut-Jam
4	108-6314	1	Coupling ASM	26	322-4	1	Screw-HH
4:1	106-9562	1	Hub-Coupling	27	114-8599	1	Hose-Drain, Engine Oil
4:2	106-9587	1	Sleeve-Hub	28	3245-9	1	Screw-Set, HSH
4:3	106-9561	1	Sleeve-Coupling	29	2412-36	2	Clamp-Hose
4:4	108-6383	1	Ring-Snap, Coupling	30	324-4	2	Screw-HH
5	108-6315	1	Hose-Formed, Suction	31	321-18	2	Screw-HH
6	99-5132	6	Bolt	32	32152-4	2	Nut-Lock, Cone
7	2412-34	3	Clamp-Hose	33	112-2403-03	1	Support-Muffler
8	87-8170	1	Fitting-90	34	106-9584	1	Muffler ASM
8:1	237-80	1	O-Ring	35	117-1701	1	Screw-HWHTF
9	100-4202	1	Fitting-90	36	3217-26	1	Nut-Hex
9:1	237-81	1	O-Ring	37	3234-5	4	Screw-HHF
10	108-6343	5	Screw-HSH,Lock	39	3256-23	8	Washer-Plain
11	33114-020	4	Screw-HH	42	112-2568-03	1	Pulley
12	3274-26	4	Screw-HSH	43	42-9600	10	Washer-Lock
13	324-6	2	Screw-HH	44	43-0090	10	Screw-HH
14	32128-42	2	Nut-HF	48	32152-1	6	Nut-Lock, Cone
15	108-6316	1	Hose-Formed, Suction	49	322-2	8	Screw-HH
16	112-2599	1	Engine-Kubota, D902	50	63-7400	4	Washer-Rebound
17	108-6269-03	1	Mount-Engine, LH	51	108-6340-03	2	Strap-Rebound
18	108-6271-03	1	Mount-Engine, RH	52	323-12	4	Screw-HH
19	107-3640	4	Mount-Engine	53	3296-39	10	Nut-Lock, NI
20	107-3617-03	2	Plate-Mount, Engine	54	323-7	6	Screw-HH
21	99-8343	1	Gasket-Muffler	56	108-5928	1	Swivel-Stop, Cable
				58	99-6932	1	Fitting-STR



Hydraulic Pump and Filter Assembly (continued)

Ref.	Part Number	Qty.	Description
58:1	237-117	1	O-Ring
59	354-78	1	Fitting-STR
59:1	237-146	1	O-Ring
60	2412-129	1	Clamp-Hose
61	108-6356	1	Plate-Baffle, Lower
62	108-6354	1	Plate-Baffle
63	112-2564	1	Heat Shield Baffle ASM
63:1	108-6355	1	Plate-Baffle, Muffler

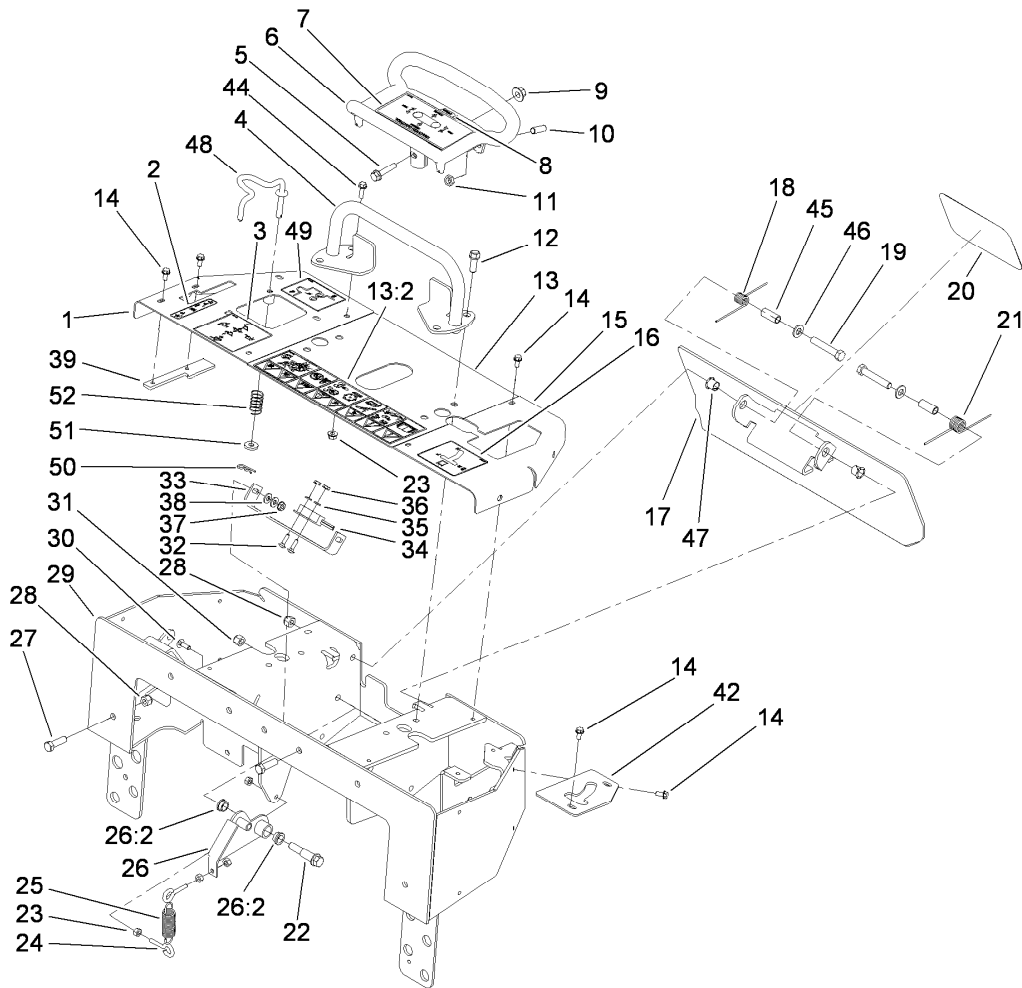
Ref.	Part Number	Qty.	Description
63:2	115-4882	1	Plate-Hot Surface
63:3	3269-31	2	Rivet-Pop
64	322-3	3	Screw-HH
66	114-8587	1	Fitting-Hose
66:1	98-9399	1	Gasket
68	112-2533-03	2	Guide-Cable
69	112-2449	4	Bracket-Shield



Hydraulic Pump Assembly No. 106-9589

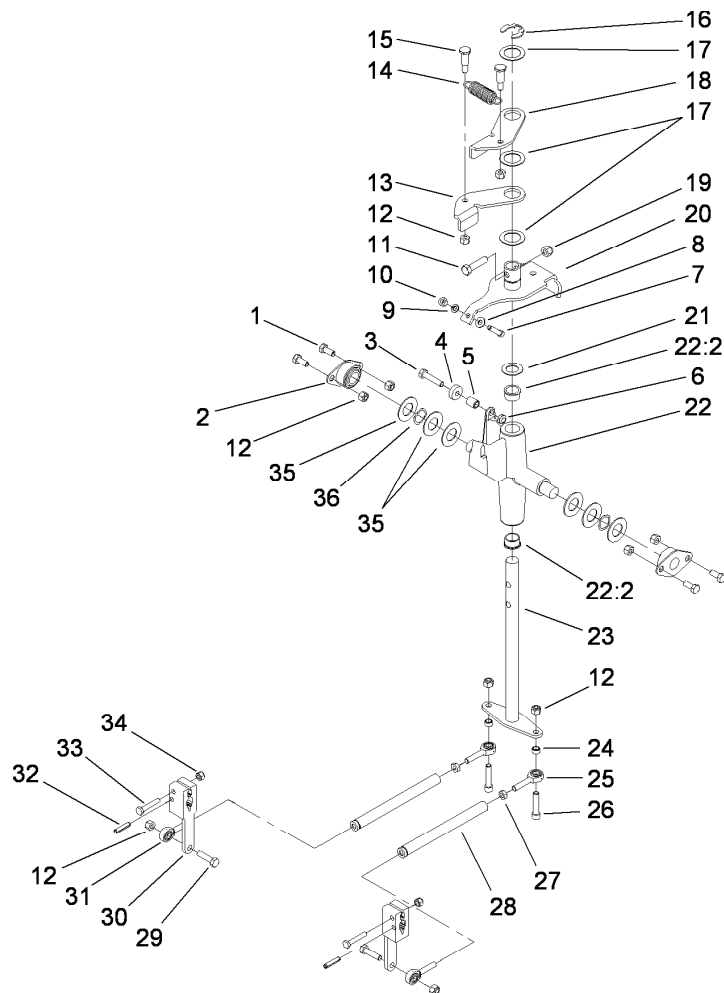
<i>Ref.</i>	<i>Part Number</i>	<i>Qty.</i>	<i>Description</i>
1	100-4238	1	Key-Square
2	107-9316	1	Seal Kit
2:1		1	Seal-Shaft ●
2:2		1	Seal-Square ●
2:3		2	Ring-Backup ●
2:4		2	Seal-Gear ●
2:5		2	Ring-Backup ●
2:6		2	Seal-Gear, Rear ●
2:7		1	Ring-Retaining ●

● Not serviced separately



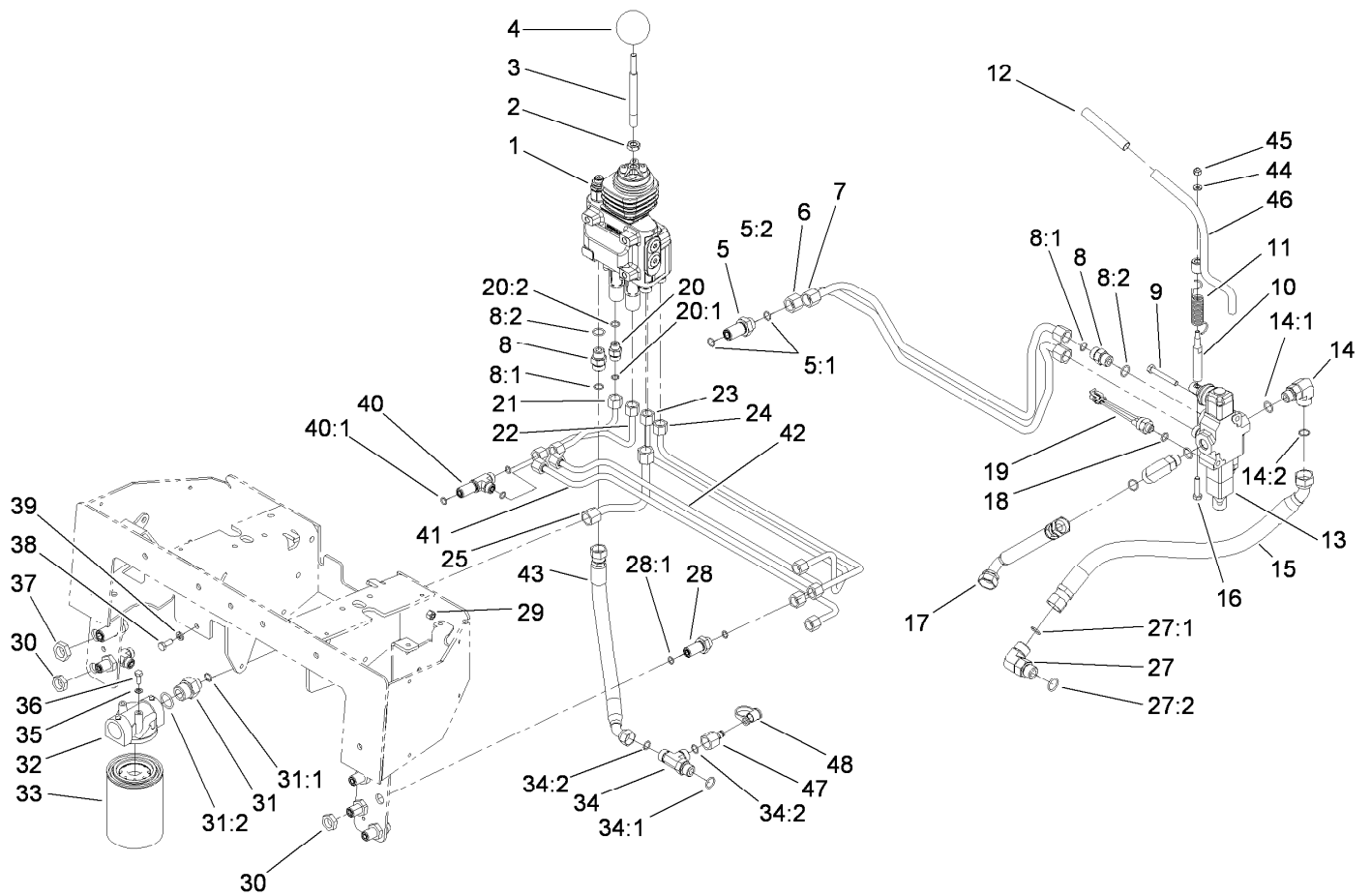
Control Panel Assembly

Ref.	Part Number	Qty.	Description	Ref.	Part Number	Qty.	Description
1	115-4836-01	1	Panel-RH	26	100-4203	1	Neutral Centering Lever ASM
2	115-4859	1	Decal-Brake	26:2	256-156	2	Bushing-Flange
3	115-4857	1	Decal-Control, Loader	27	323-7	5	Screw-HH
4	106-7715	1	Bar-Reference	28	3296-39	7	Nut-Lock, NI
5	3234-18	1	Screw-HHF	29	110-0228-01	1	Panel-Control
6	106-7614-03	1	Handle-Control	30	3229-1	2	Screw-CARR
7	115-4020	1	Decal-Traction	31	3296-6	1	Nut-Lock
8	98-1459	1	Decal	32	3229-20	2	Screw-CARR
9	32128-43	1	Nut-Flange	33	100-1263	1	Plate-Switch
10	3247-6	2	Screw-Set	34	100-1270	1	Switch-Proximity
11	3218-3	2	Nut-Jam	35	3256-51	2	Washer-Flat
12	95-1726	4	Screw-Taptite	36	32149-7	2	Nut-Keps
13	108-4643	1	Center Panel ASM	37	32149-2	2	Nut-Keps
13:2	115-4860	1	Decal-Danger	38	3256-22	4	Washer-Flat
14	9266714	11	Screw-HWH	39	112-2691-01	1	Plate-Locking, Brake
15	112-2737-01	1	Panel-LH	42	112-2749-01	1	Plate-Stop
16	115-4861	1	Decal-Control, Auxiliary	44	32105-15	1	Screw-HWH
17	112-2786-03	1	Plate-Reverse	45	114-1337	2	Spacer-Spring
18	98-8425	1	Spring-Torsion, LH	46	3256-24	2	Washer-Plain
19	323-11	2	Screw-HH	47	256-257	2	Bushing-Nyliner
20	105-1217	1	Decal	48	115-4580	1	Rod-Interlock
21	98-8424	1	Spring-Torsion, RH	49	115-4862	1	Decal-Loader Lock
22	66-0560	1	Bolt-Shoulder	50	3290-307	1	Pin-Cotter
23	32128-32	5	Nut-HHF	51	88-7200	1	Washer-Flat
24	71-2870	2	Bolt-Eye	52	85-6750	1	Spring-Control
25	108-4724	1	Spring-Extension				



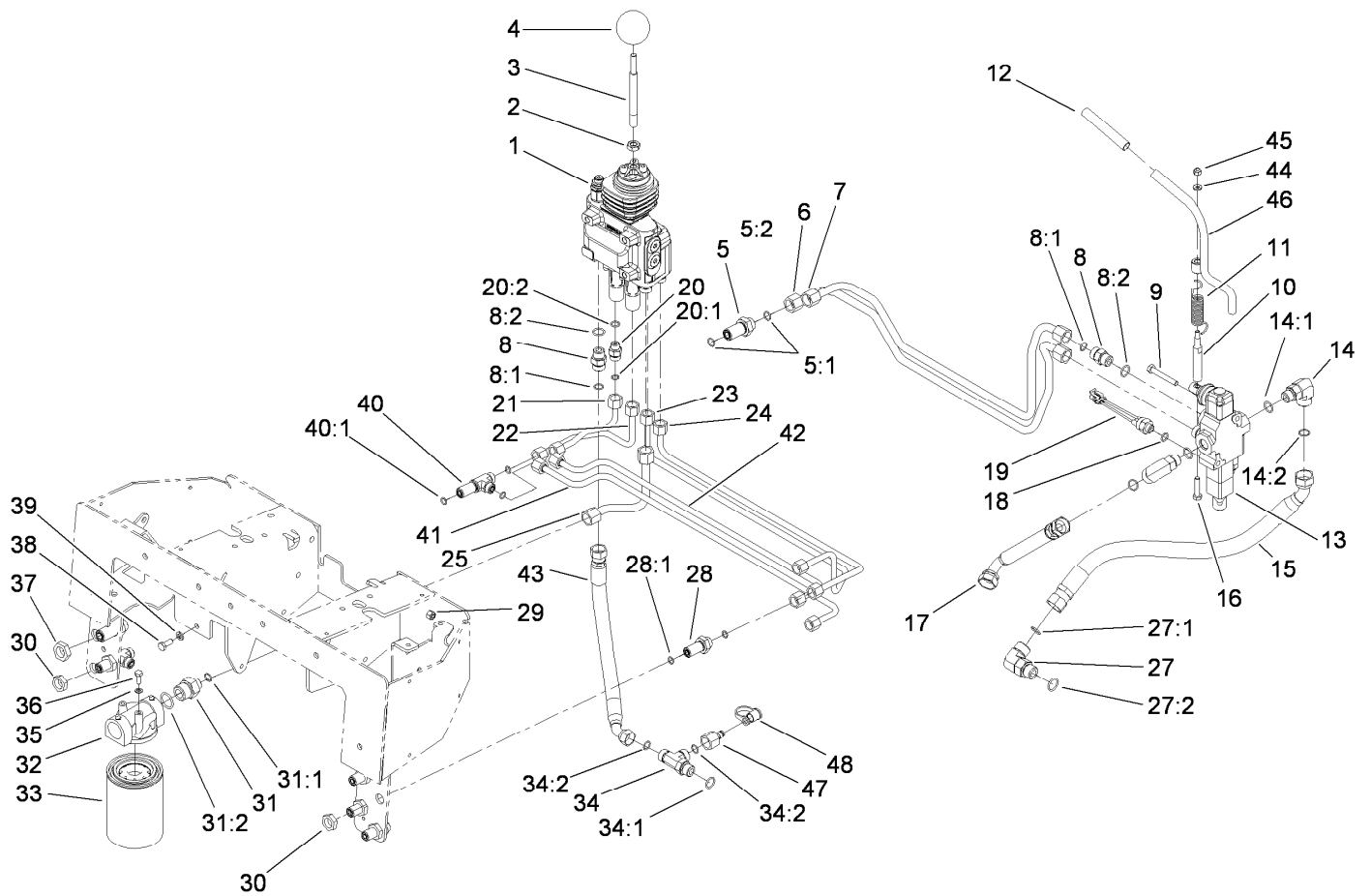
Traction Control Assembly

<i>Ref.</i>	<i>Part Number</i>	<i>Qty.</i>	<i>Description</i>	<i>Ref.</i>	<i>Part Number</i>	<i>Qty.</i>	<i>Description</i>
1	322-3	4	Screw-HH	20	112-2783	1	Lever-Pivot
2	68-2970	2	Bushing	21	257-8	1	Washer-Thrust
3	322-7	1	Screw-HH	22	106-5737	1	Control Support ASM
4	251-259	1	Bearing-Ball	22:2	256-252	2	Bearing-Flange
5	88-7450	1	Spacer-Lever, Control	23	106-5745	1	Drive Rod ASM
6	3296-47	1	Nut-Lock,NI	24	92-3133	2	Spacer-Lever, Traction
7	3274-51	1	Screw-HSH	25	2411-52	2	Bearing-Rod End, RH
8	3256-22	1	Washer-Flat	26	3274-83	2	Screw-HSH
9	3253-3	1	Washer-Lock	27	3220-2	2	Nut-Jam
10	3217-5	1	Nut-Hex	28	95-3711	2	Rod-Linkage
11	323-8	1	Screw-HH	29	322-6	2	Screw-HH
12	3296-29	10	Nut-Lock, NI	30	106-5739	2	Arm-Control, Pump
13	98-8407	1	Lever-Return, RH	31	2411-53	2	Bearing-Rod End, LH
14	108-4724	1	Spring-Extension	32	100-5440	2	Pin-Spring, Slotted
15	63-2650	2	Screw-Shoulder	33	321-9	2	Screw-HH
16	32151-91	1	Ring-Retaining	34	3296-42	2	Nut-Lock, NI
17	108-9743	3	Washer-Plain	35	3256-39	6	Washer-Flat
18	98-8408	1	Lever-Return, LH	36	95-3703	2	Washer-Spring, Wave
19	3296-39	1	Nut-Lock, NI				



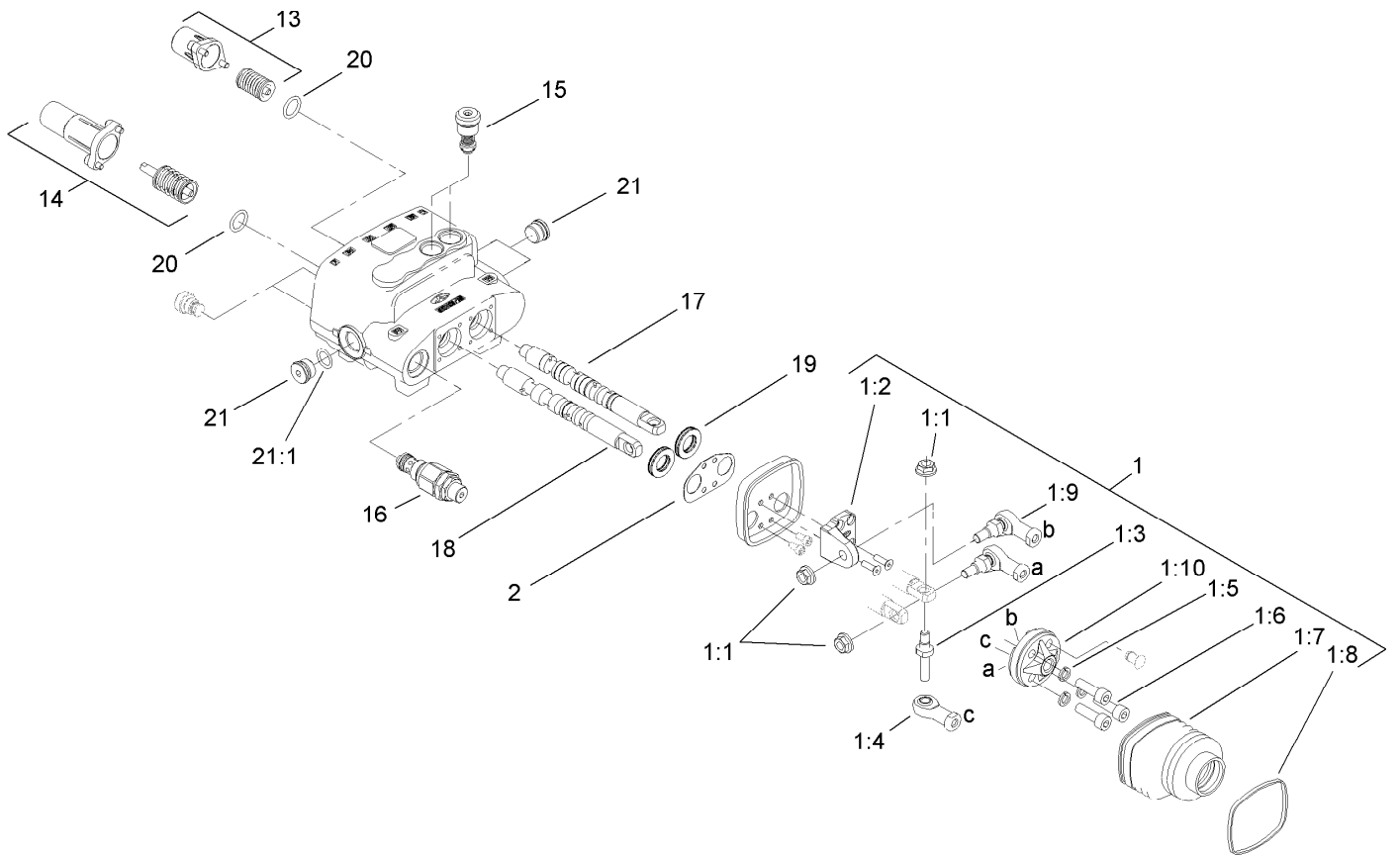
Principal Hydraulic Assembly

Ref.	Part Number	Qty.	Description	Ref.	Part Number	Qty.	Description
1	106-9307	1	2 Spool Valve ASM	20:1	237-22	1	O-Ring
2	51-2070	1	Nut	20:2	237-42	1	O-Ring
3	108-4675	1	Shaft-Handle, Loader	21	106-9315	1	Tube-HYD
4	233-21	1	Knob	22	106-9313	1	Tube-HYD
5	340-161	2	Fitting-Bulkhead	23	106-9312	1	Tube-HYD
5:1	237-30	2	O-Ring	24	106-9314	1	Tube-HYD
5:2	340-127	1	Nut-Bulkhead (Not Used In This Application)	25	106-9385	1	Tube-HYD
6	106-9310	1	Tube-HYD	27	340-17	1	Fitting-Elbow, 90 DEG
7	106-9311	1	Tube-HYD	27:1	237-65	1	O-Ring
8	340-4	4	Fitting-Straight	27:2	237-80	1	O-Ring
8:1	237-30	1	O-Ring	28	340-71	4	Fitting-Straight, Bulkhead
8:2	237-79	1	O-Ring	28:1	237-22	2	O-Ring
9	322-11	2	Screw-HH	29	3296-29	2	Nut-Lock, NI
10	104-2827	1	Spacer-Hiflo	30	340-70	6	Nut-Lock
11	112-2738	1	Spring-Torsion	31	100-4240	1	Fitting-STR
12	112-2605	1	Grip-Rubber	31:1	237-30	1	O-Ring
13	104-2831	1	1 Spool Valve ASM	31:2	237-81	1	O-Ring
14	340-153	2	Fitting-Elbow, 90 DEG	32	92-5821	1	Head-Filter
14:1	237-79	1	O-Ring	33	86-3010	2	Filter-Oil
14:2	237-151	1	O-Ring	34	340-109	1	Fitting-Tee
15	112-2561	1	Hose-HYD	34:1	237-79	1	O-Ring
16	48-7740	1	Screw	34:2	237-30	2	O-Ring
17	112-2443	1	Hose-HYD	35	3253-3	2	Washer-Lock
18	237-42	1	O-Ring	36	321-4	2	Screw-HH
19	72-4310	1	Switch-Ball	37	340-127	2	Nut-Bulkhead
20	340-2	4	Fitting-Straight	38	322-3	3	Screw-HH
				39	3253-4	3	Washer-Lock
				40	340-68	2	Fitting-Tee, Bulkhead



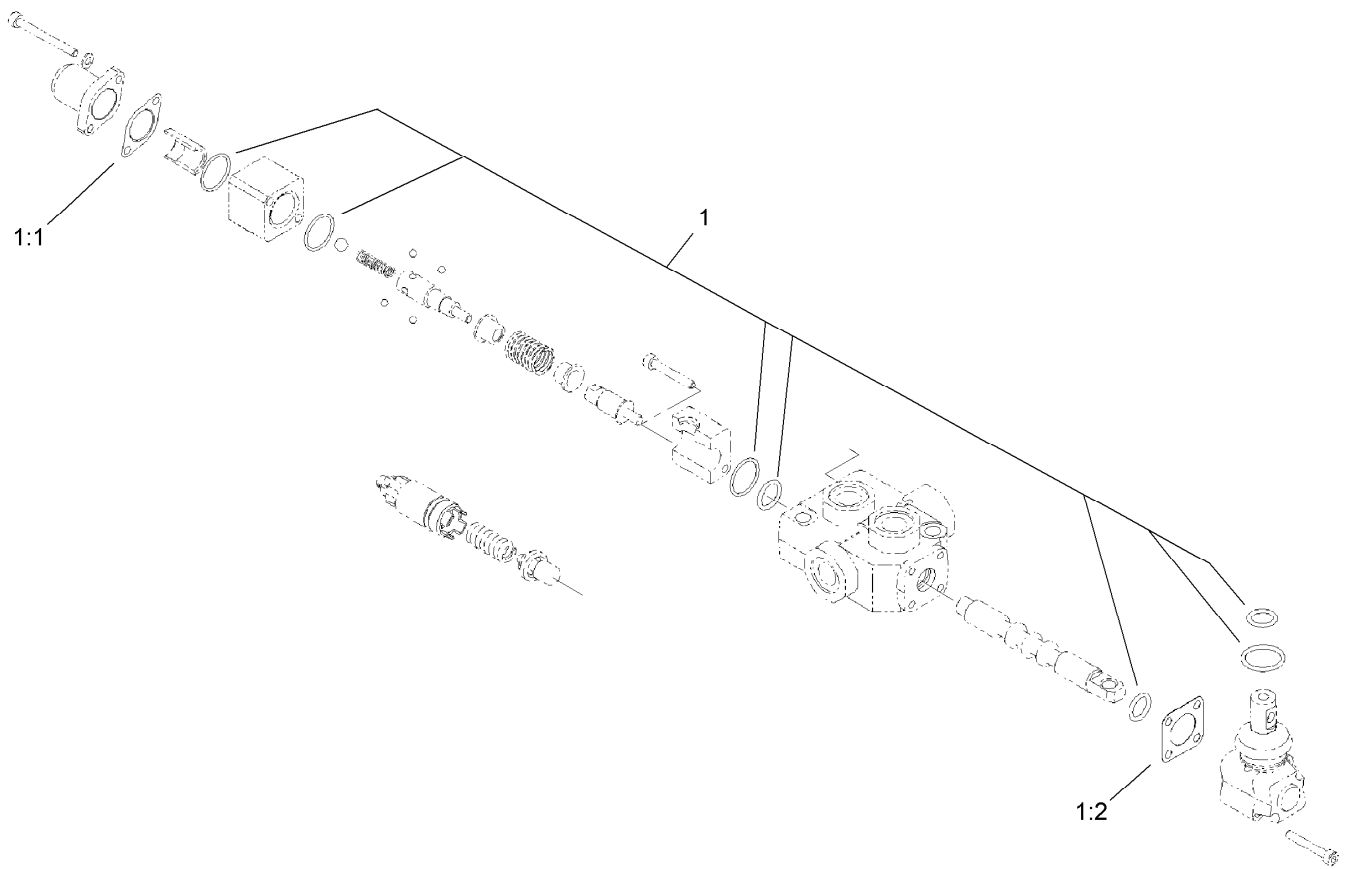
Principal Hydraulic Assembly (continued)

<i>Ref.</i>	<i>Part Number</i>	<i>Qty.</i>	<i>Description</i>	<i>Ref.</i>	<i>Part Number</i>	<i>Qty.</i>	<i>Description</i>
40:1	237-22	3	O-Ring	45	3296-42	1	Nut-Lock, NI
41	106-9316	1	Tube-HYD	46	112-2739	1	Lever-Auxiliary
42	106-9317	1	Tube-HYD	47	100-5616	1	Fitting
43	112-2560	1	Hose-HYD	48	354-79	1	Cap-Dust
44	3256-16	1	Washer-Flat				



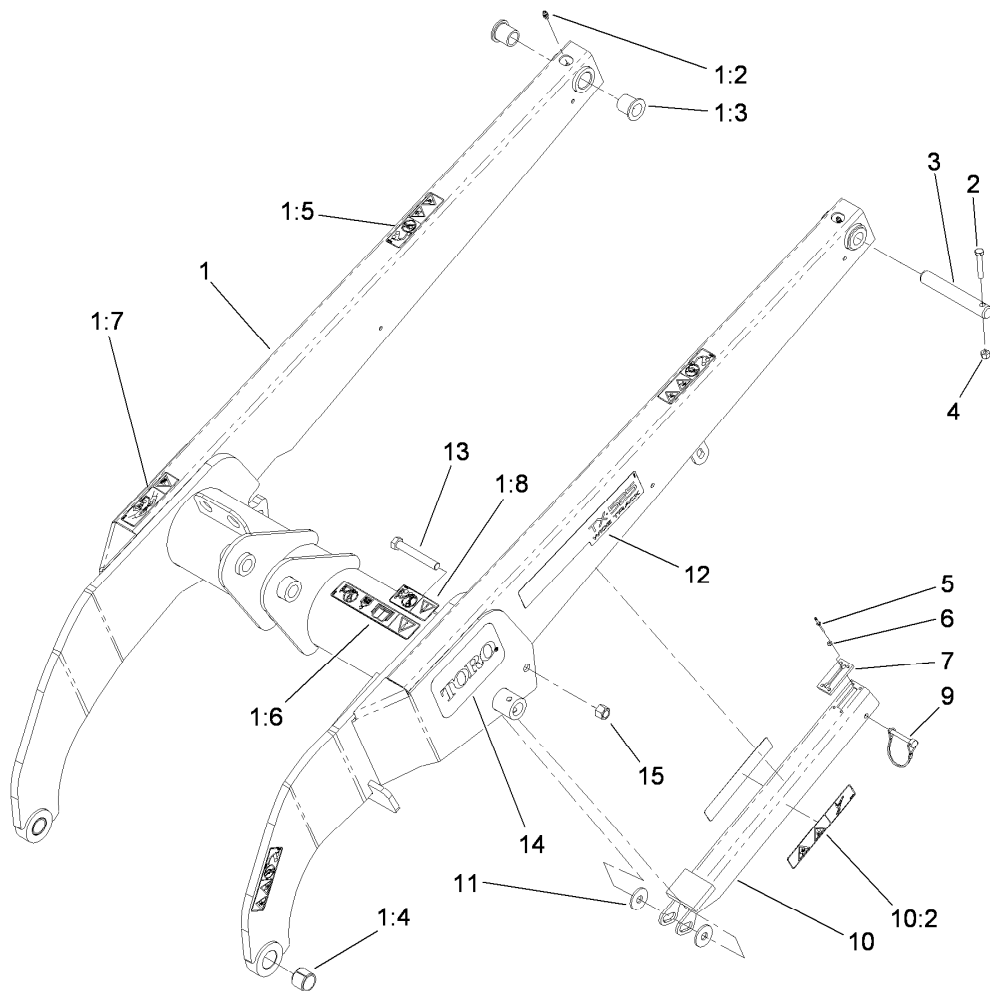
Two Spool Valve Assembly No. 106-9307

<i>Ref.</i>	<i>Part Number</i>	<i>Qty.</i>	<i>Description</i>
1	106-7724	1	Joystick Kit
1:1	98-0668	3	Nut
1:2	106-7726	1	Pivot-Joystick
1:3	106-7727	1	Pin-Joystick
1:4	106-7728	1	End-Rod
1:5	42-9850	3	Washer-Lock, Spring
1:6	98-5828	3	Screw-HSH
1:7	106-7729	1	Bellow-Rubber
1:8	3290-379	1	Tie-Cable
1:9	106-7730	2	Joint-Joystick
1:10	106-7731	1	Holder-Articulated
2	106-7725	1	Seal-Joystick
13	106-7732	1	Valve Spring Kit
14	106-7733	1	Detent Spring Kit
15	106-7734	2	Valve-Relief
16	106-7735	1	Valve-Relief, Main
17	106-7736	1	Spool-Valve
18	106-7737	1	Spool-Valve
19	106-7738	2	Seal-Valve, Spool
20	106-7719	2	Seal-Valve
21	353-988	3	Plug-Hex
21:1	237-79	1	O-Ring



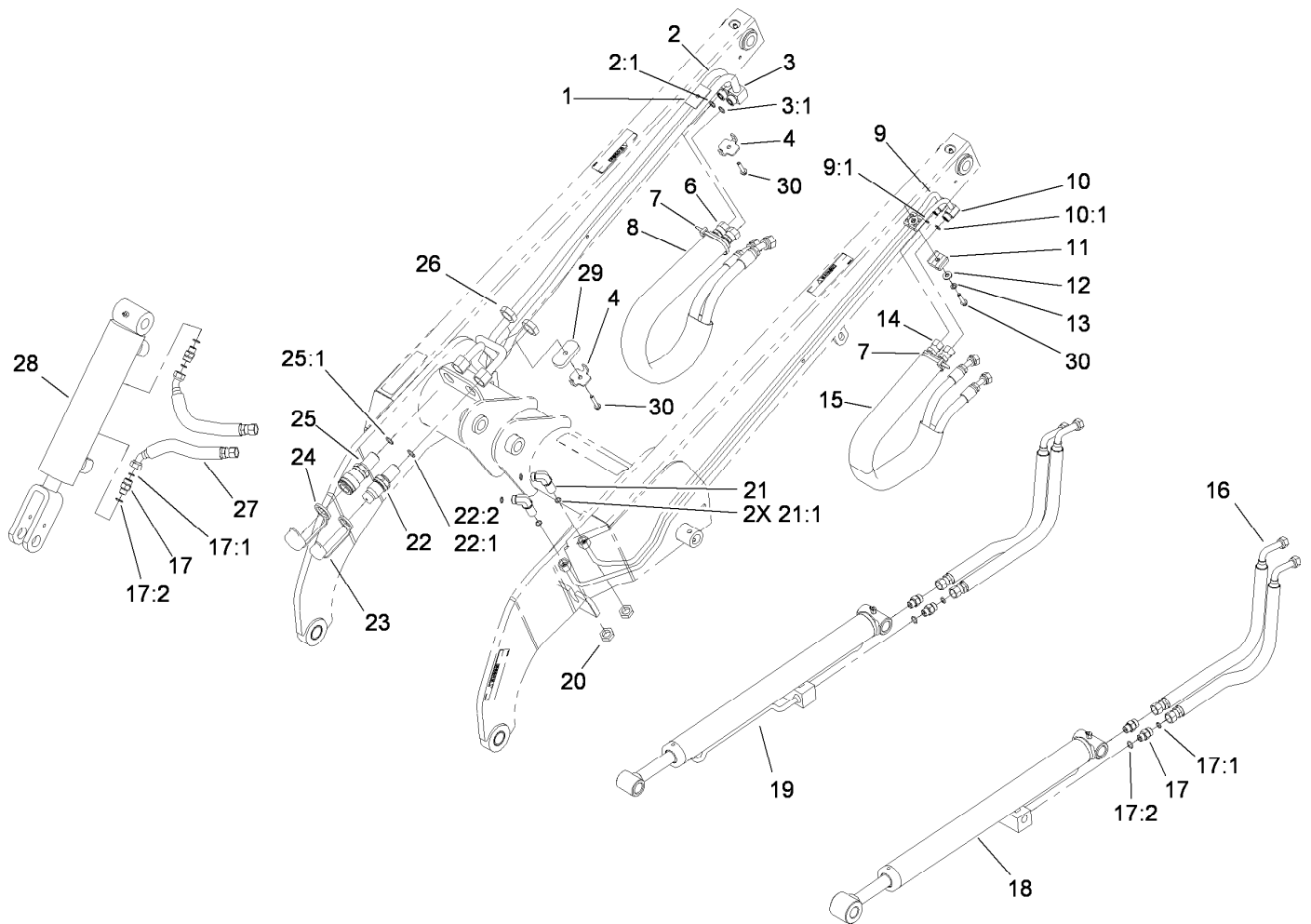
One Spool Valve Assembly No. 104-2831

<i>Ref.</i>	<i>Part Number</i>	<i>Qty.</i>	<i>Description</i>
1	99-4391	1	Seal Kit
1:1	99-3074	1	Gasket
1:2	99-3075	3	Gasket



Loader Arm Assembly

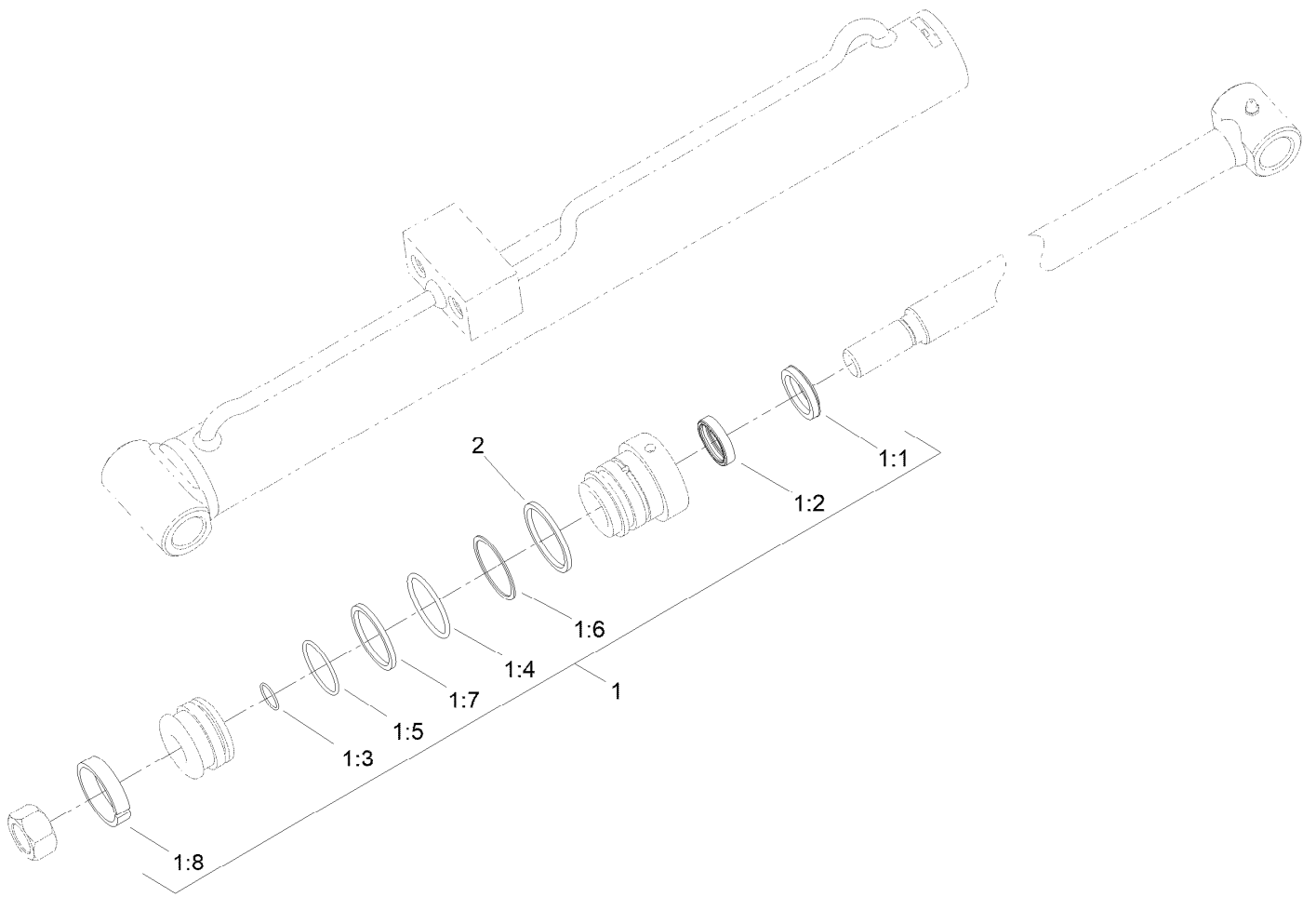
Ref.	Part Number	Qty.	Description
1	108-4638	1	Loader Arm ASM
1:2	302-5	2	Fitting-Grease
1:3	95-3577	4	Bushing
1:4	98-4871	2	Bushing-Tension
1:5	100-8821	4	Decal-Warning, Pinch
1:6	115-4856	1	Decal-Caution
1:7	115-4855	1	Decal-Caution
1:8	100-8822	1	Decal-No Rider
2	322-10	7	Screw-HH
3	104-2849	7	Pin-Locking
4	3296-29	7	Nut-Lock, NI
5	3269-8	4	Rivet-Blind
6	104-5112	4	Washer-Flat
7	98-0083	1	Stop-Rubber
9	112-2583	1	Pin-Locking
10	108-4639	1	Locking Arm ASM
10:2	115-4858	2	Decal-Danger
11	68-1440	2	Washer-Rubber
12	115-4869	2	Decal
13	325-14	1	Screw-HH
14	105-1217	2	Decal
15	3296-23	1	Nut-Lock, NI



Loader Arm Hydraulic Assembly

Ref.	Part Number	Qty.	Description	Ref.	Part Number	Qty.	Description
1	106-9366	1	Spacer-Hardline	17:1	237-22	1	O-Ring
2	108-6319	1	HYD Tube ASM	17:2	237-42	1	O-Ring
2:1	237-22	1	O-Ring	18	104-6267	1	LH Lift Cylinder ASM
3	112-2563	1	HYD Tube ASM	19	104-6269	1	RH Lift Cylinder ASM
3:1	237-22	1	O-Ring	20	340-70	2	Nut-Lock
4	98-0237	2	Plate-Clamp, Tube	21	340-154	2	Union-Bulkhead
6	98-0242	2	Hose-HYD	21:1	237-22	2	O-Ring
7	3290-378	2	Tie-Cable	22	105-8395	1	Bulkhead Nipple ASM
8	100-6128	1	Sleeve-Protective	22:1	237-65	1	O-Ring
9	106-9364	1	HYD Tube ASM	22:2	100-6120	1	Seal Kit ●
9:1	237-22	1	O-Ring	23	100-8815	1	Cap-Dust, Nipple
10	106-9365	1	HYD Tube ASM	24	100-8816	1	Cap-Dust, Coupler
10:1	237-22	1	O-Ring	25	105-8394	1	Bulkhead Coupler ASM
11	56-7973	2	Clamp-Tube	25:1	237-65	1	O-Ring
12	3256-2	1	Washer-Flat	26	340-74	2	Nut-Lock, Bulkhead
13	3253-3	1	Washer-Lock	27	98-0207	2	Hose-HYD
14	98-0213	2	Hose-HYD	28	105-8370	1	Tilt Cylinder ASM
15	100-6127	1	Sleeve-Protective	29	112-2565	1	Plate-Hardline
16	98-0216	4	Hose-HYD	30	94-2691	3	Screw-HWH Taptite
17	340-2	6	Fitting-Straight				

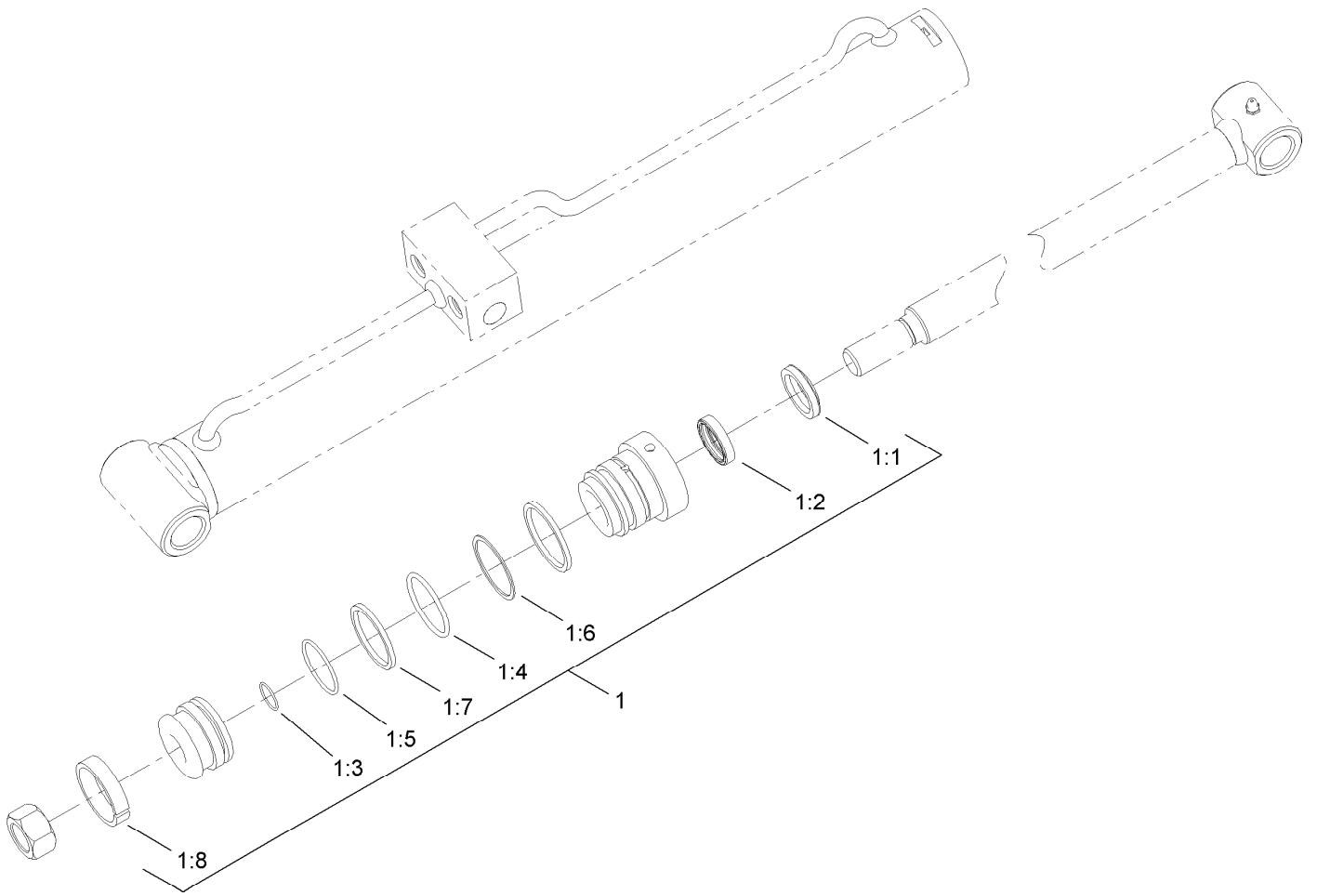
● Not illustrated



Right Hand Hydraulic Lift Cylinder Assembly No. 104-6269

<i>Ref.</i>	<i>Part Number</i>	<i>Qty.</i>	<i>Description</i>
1	104-6268	1	Seal Kit
1:1		1	Wiper ●
1:2		1	Seal ASM ●
1:3		1	Seal-Dust ●
1:4		1	Seal-Dust ●
1:5		1	Seal-Dust ●
1:6		1	Back-Up ●
1:7		1	Seal ASM ●
1:8		1	Ring-Wear ●
2	161-7281	1	Ring - Retaining

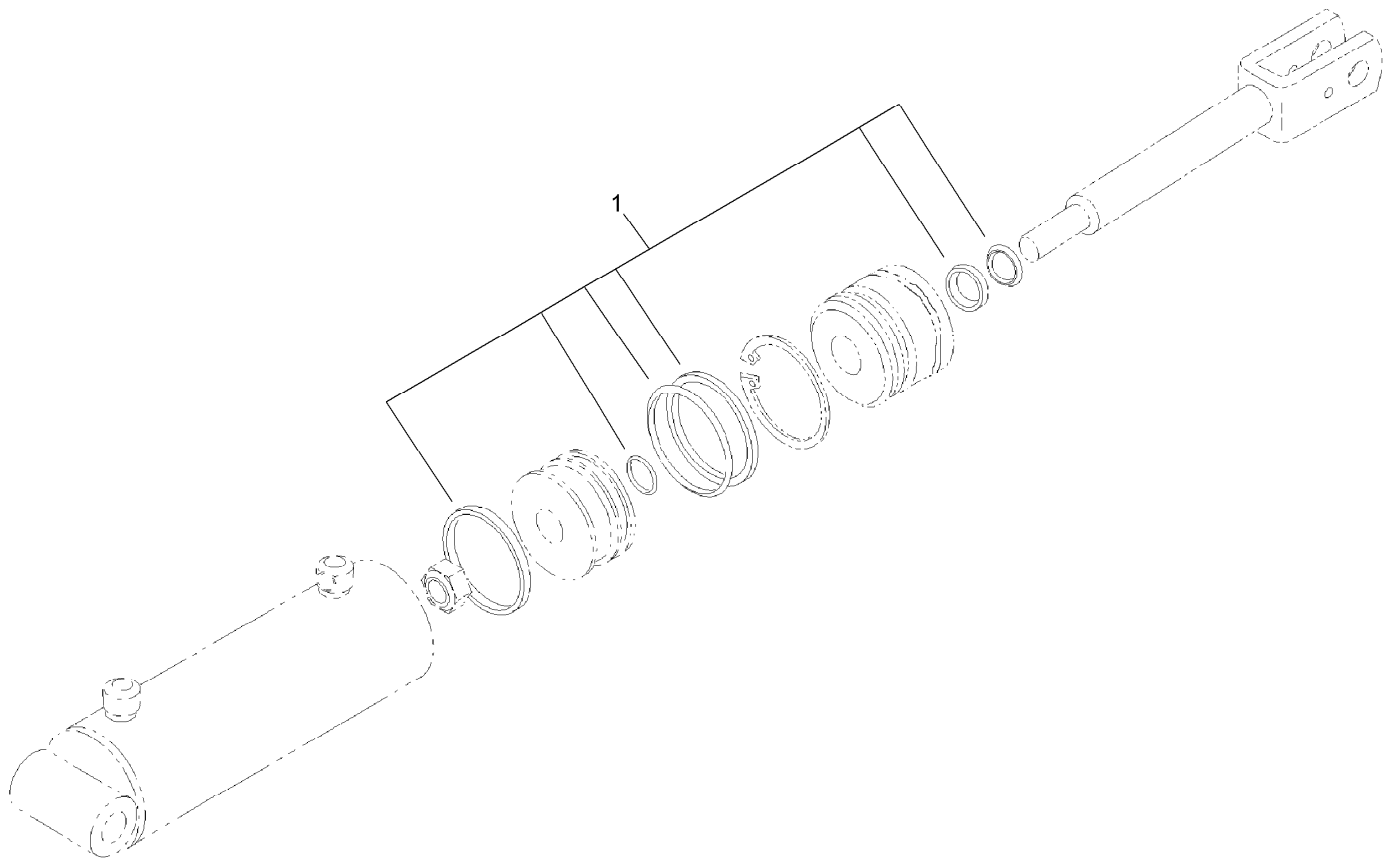
● Not serviced separately



Left Hand Hydraulic Lift Cylinder Assembly No. 104-6267

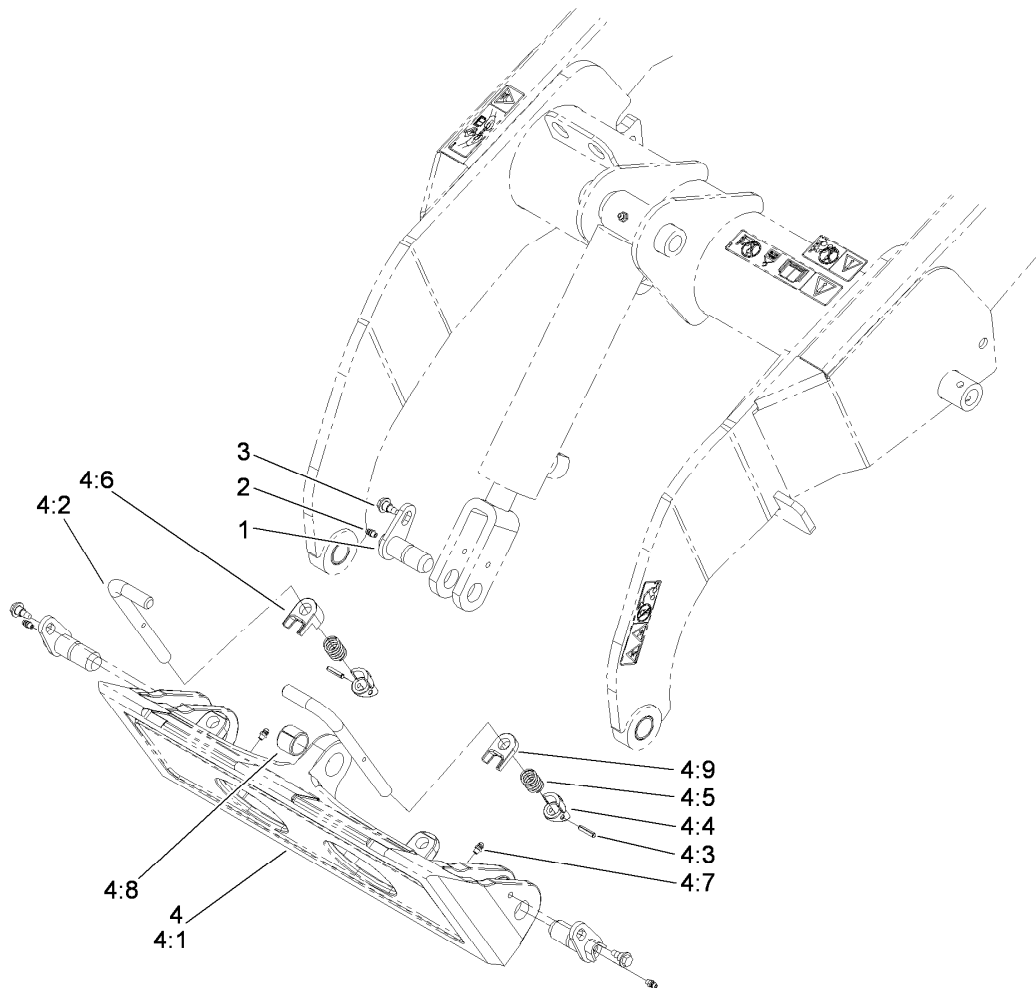
<i>Ref.</i>	<i>Part Number</i>	<i>Qty.</i>	<i>Description</i>
1	104-6268	1	Seal Kit
1:1		1	Wiper ●
1:2		1	Seal ●
1:3		1	Ring-Retaining ●
1:4		1	Ring-Retaining ●
1:5		1	Ring-Retaining ●
1:6		1	Back-Up ●
1:7		1	Seal ●
1:8		1	Wear Ring ●

● Not serviced separately



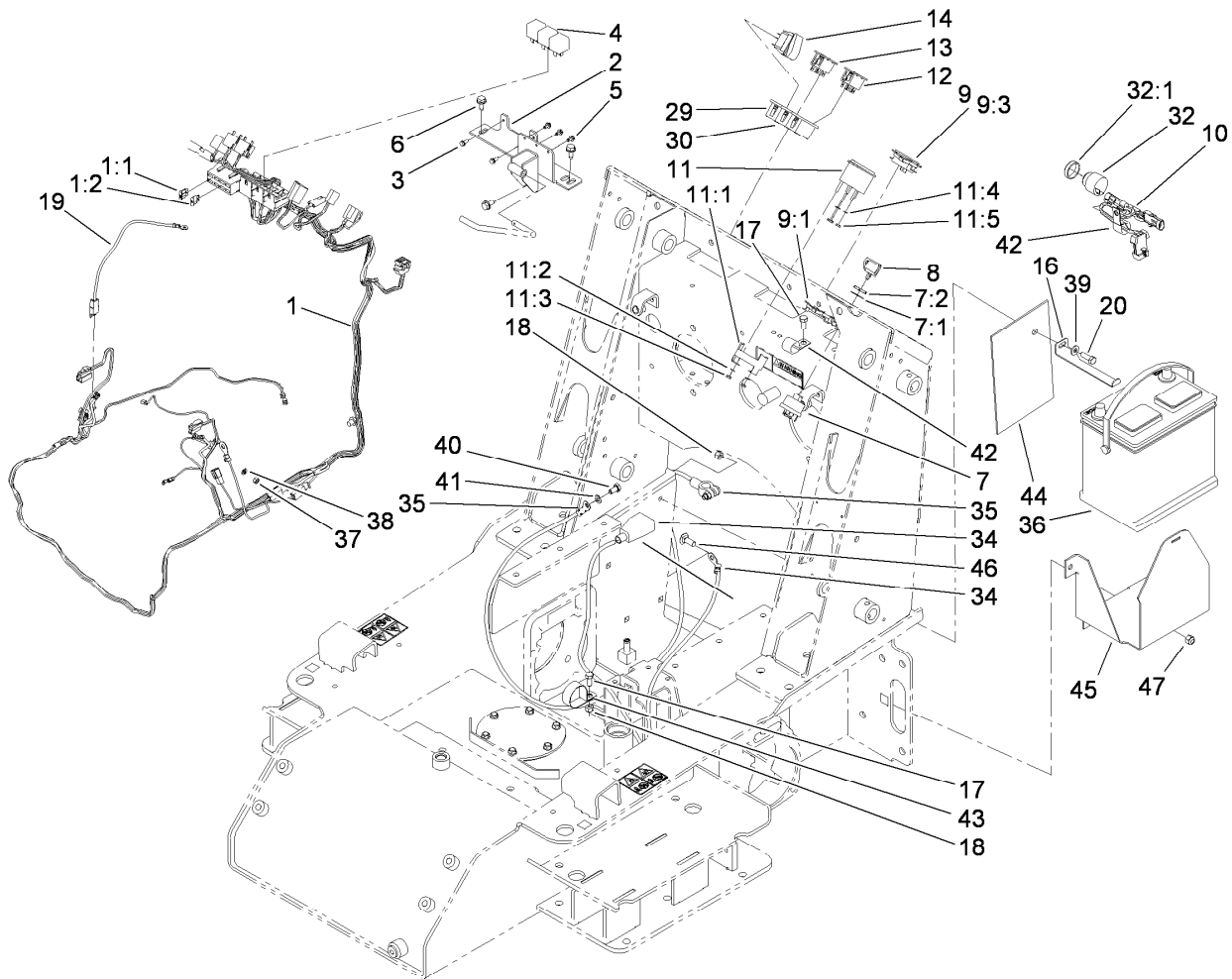
Hydraulic Cylinder Assembly No. 105-8370

<i>Ref.</i>	<i>Part Number</i>	<i>Qty.</i>	<i>Description</i>
1	106-7567	1	Seal Kit



Quick Attach Assembly

<i>Ref.</i>	<i>Part Number</i>	<i>Qty.</i>	<i>Description</i>
1	112-2609	3	Pin-Pivot
2	302-5	3	Fitting-Grease
3	99-5105	3	Screw-Shoulder
4	115-0788	1	Quick Attach ASM
4:1	115-0774-03	1	Mount-Qtach
4:2	105-8367	2	Pin-Locking
4:3	3285-1	2	Pin-Grooved
4:4	105-0246	2	Cam
4:5	98-4694	2	Spring-Compression
4:6	104-5909	1	Stop-RH
4:7	302-5	2	Fitting-Grease
4:8	98-4871	1	Bushing-Tension
4:9	104-5903	1	Stop-LH

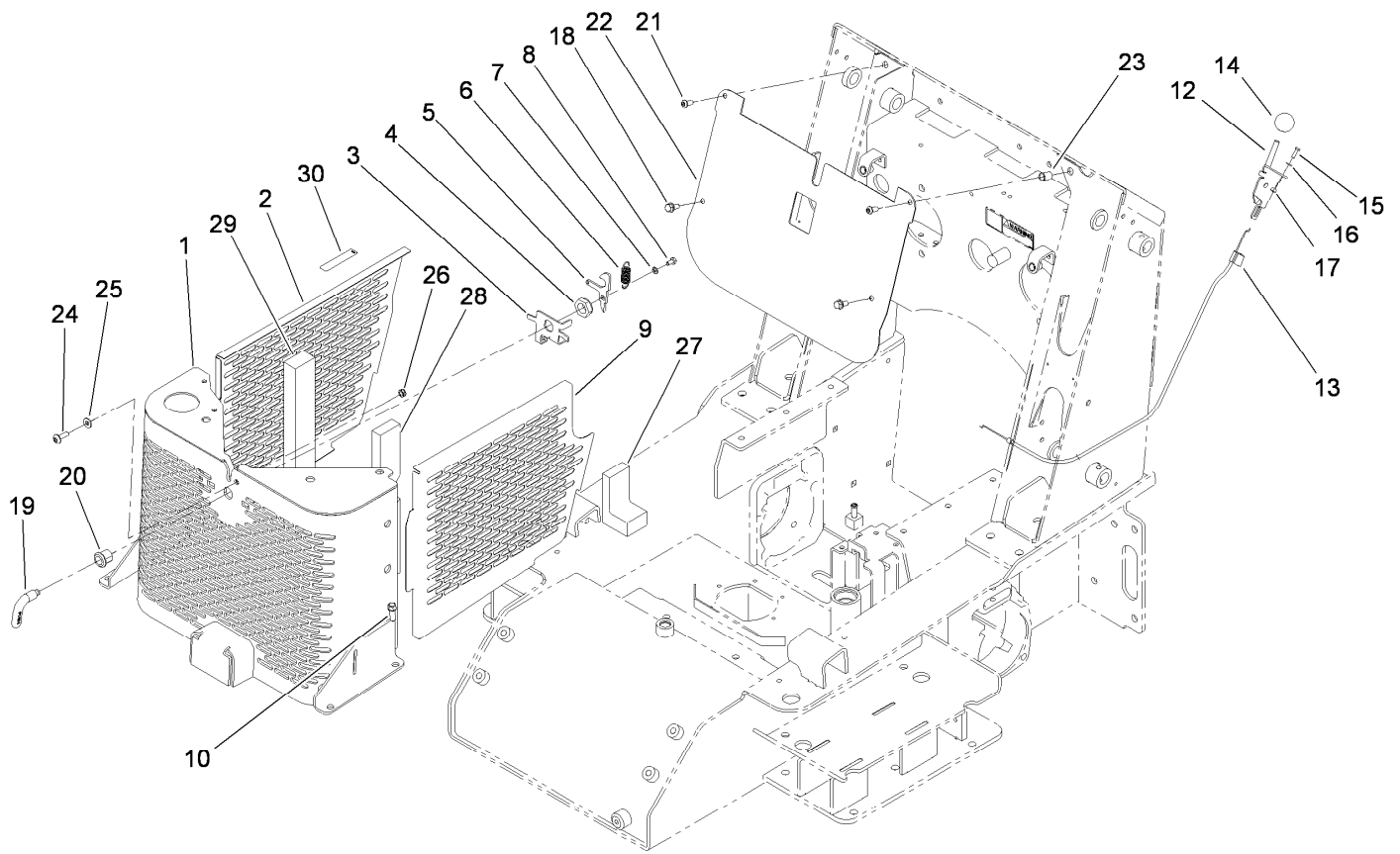


Electrical System Assembly

Ref.	Part Number	Qty.	Description	Ref.	Part Number	Qty.	Description
1	117-1329	1	Harness-Wire	14	110-0811	1	Switch-Rocker On-None-(On)
1:1	112-2463	1	Harness-Link, Fusible ●	16	108-6275-03	1	Clamp-Battery
1:2	108-6346	1	Harness-Link, Fusible (14FI) ●	17	322-3	2	Screw-HH
2	108-6360-03	1	Bracket-Relay	18	3296-29	3	Nut-Lock, NI
3	32104-4	2	Screw	19	108-6365	1	Harness-Wire
4	98-7249	3	Relay	20	322-5	1	Screw-HH
5	104-2065	3	Screw-HWH	29	108-6325	2	Bracket-End
6	32144-11	3	Screw-HWH	30	108-6326	1	Bracket-Middle
7	88-9830	1	Key Switch ASM	32	80-9330	1	Audio Alarm ASM
7:1	3254-5	1	Washer-Lock	32:1	104-5107	1	Nut-Plastic, Knurled
7:2	218-461	1	Nut-HH	34	108-6327	1	Cable-Battery, Positive
8	63-8360	2	Key-Ignition	35	108-6328	1	Cable-Battery, Negative
9	110-1855	1	Meter-Hour	36	104-9979	1	Battery
9:1	104-4234	1	Clip-Mounting	37	43-2830	1	Nut-Hex
9:3		1	Hour Meter Body ■	38	43-5930	1	Washer-Lock, Spring
10	115-0730	1	Harness-Wire, Neutral	39	3256-2	1	Washer-Flat
11	66-2940	1	Gauge-Fuel	40	33114-016	1	Screw-HH
11:1	100-6147	1	Bracket-Mounting, Gauge	41	3255-8	1	Washer-Lock
11:2	3254-1	2	Washer-Lock, Int	42	94-9580	2	Clamp-J
11:3	3217-27	2	Nut-Hex	43	2412-147	1	Clamp-R
11:4	3255-24	3	Washer-Lock / EXT	44	108-6392	1	Guard-Battery
11:5	3217-16	3	Nut-Hex	45	108-6274-01	1	Mount-Battery
12	100-8070	1	Lamp-Warning	46	3231-2	3	Bolt-CARR
13	100-8071	1	Lamp-Warning	47	3296-39	3	Nut-Lock, NI

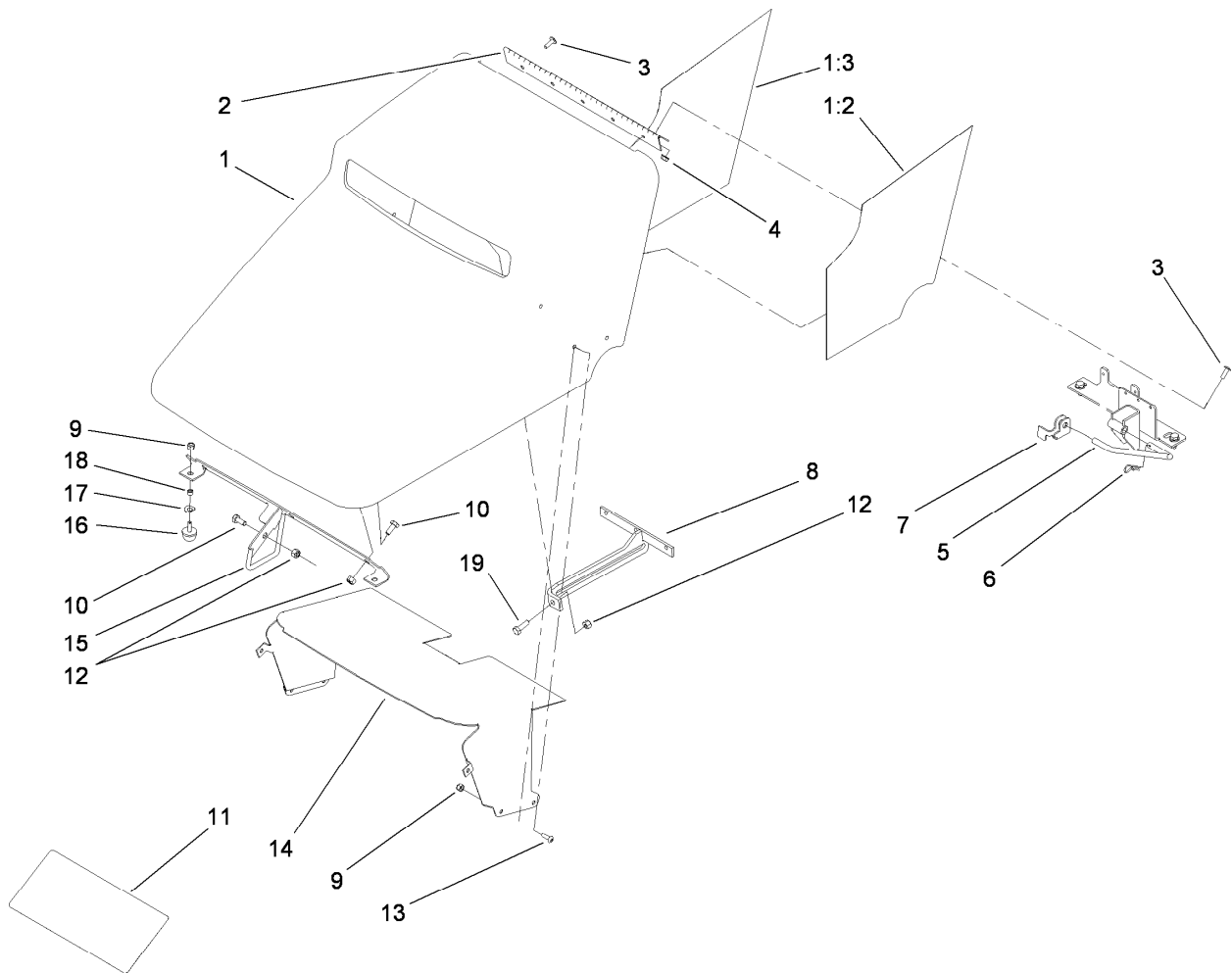
● Not illustrated

■ Not serviced separately



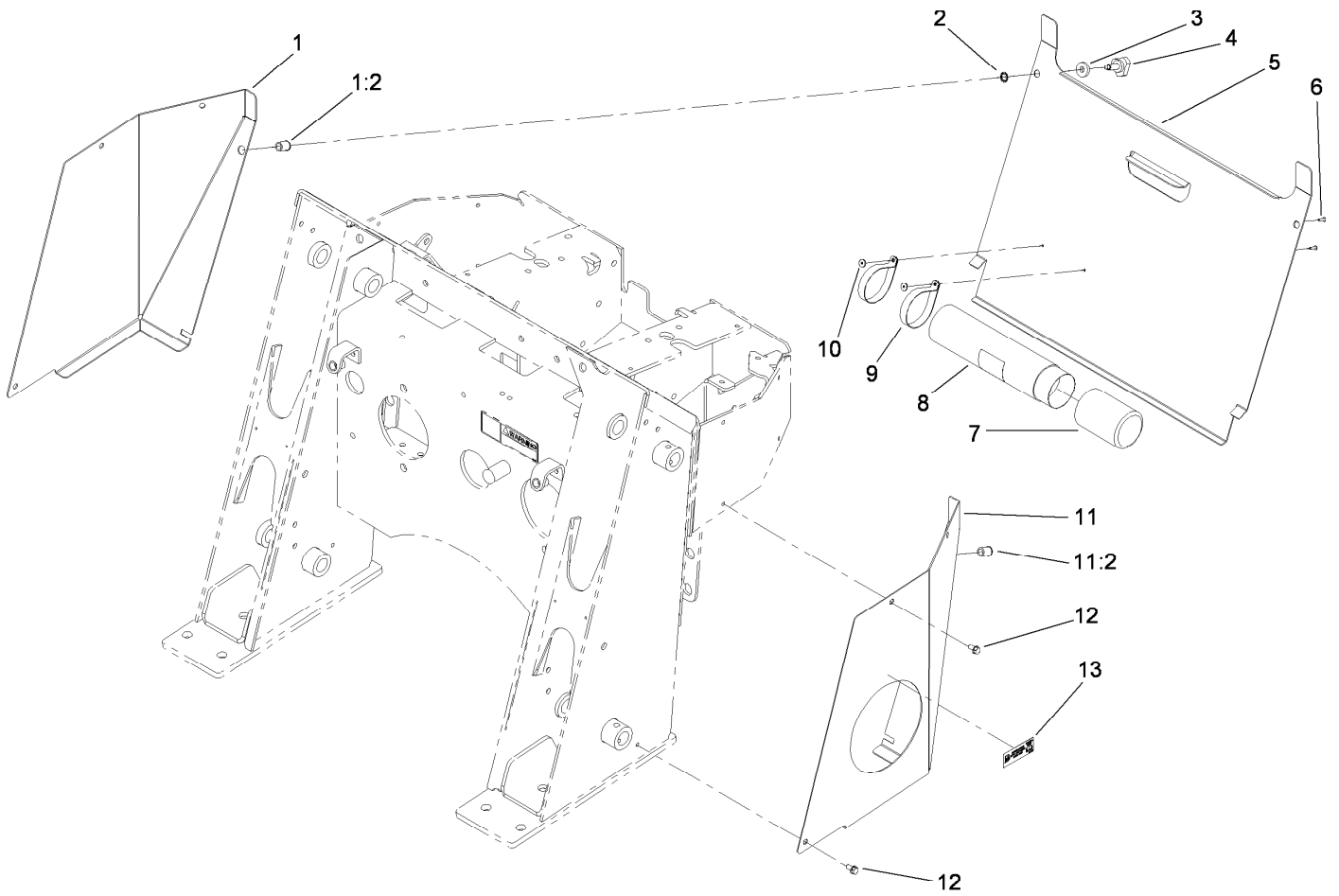
Grill Assembly

<i>Ref.</i>	<i>Part Number</i>	<i>Qty.</i>	<i>Description</i>	<i>Ref.</i>	<i>Part Number</i>	<i>Qty.</i>	<i>Description</i>
1	117-1318-03	1	Grill	17	3296-2	2	Nut-Lock, NI
2	108-6276-03	1	Panel-Side, RH	18	3234-5	2	Screw-HHF
3	106-5729-03	1	Bracket-Latch	19	108-5639	1	Handle-Latch
4	3296-60	1	Nut-Lock, NI	20	106-9335	1	Housing-Latch
5	106-5728	1	Cam-Latch	21	3274-55	2	Screw-HSBH
6	104-0869	1	Spring	22	108-6225	1	Baffle-Electrical
7	3253-3	1	Washer-Lock	23	32148-8	2	Nut-Clinch
8	321-2	1	Screw-HH	24	107-8021	1	Screw-PTH
9	108-6277-03	1	Panel-Side, LH	25	3256-2	1	Washer-Flat
10	95-1726	4	Screw-Taptite	26	3296-47	1	Nut-Lock,NI
12	108-9730	1	Lever-Control	27	108-6375	2	Seal-Foam
13	108-6337	1	Cable-Throttle	28	108-6371	2	Seal-Foam
14	233-42	1	Knob	29	108-6369	1	Seal-Foam
15	3290-134	2	Screw	30	93-6681	1	Decal-Warning, Fan
16	3256-51	2	Washer-Flat				



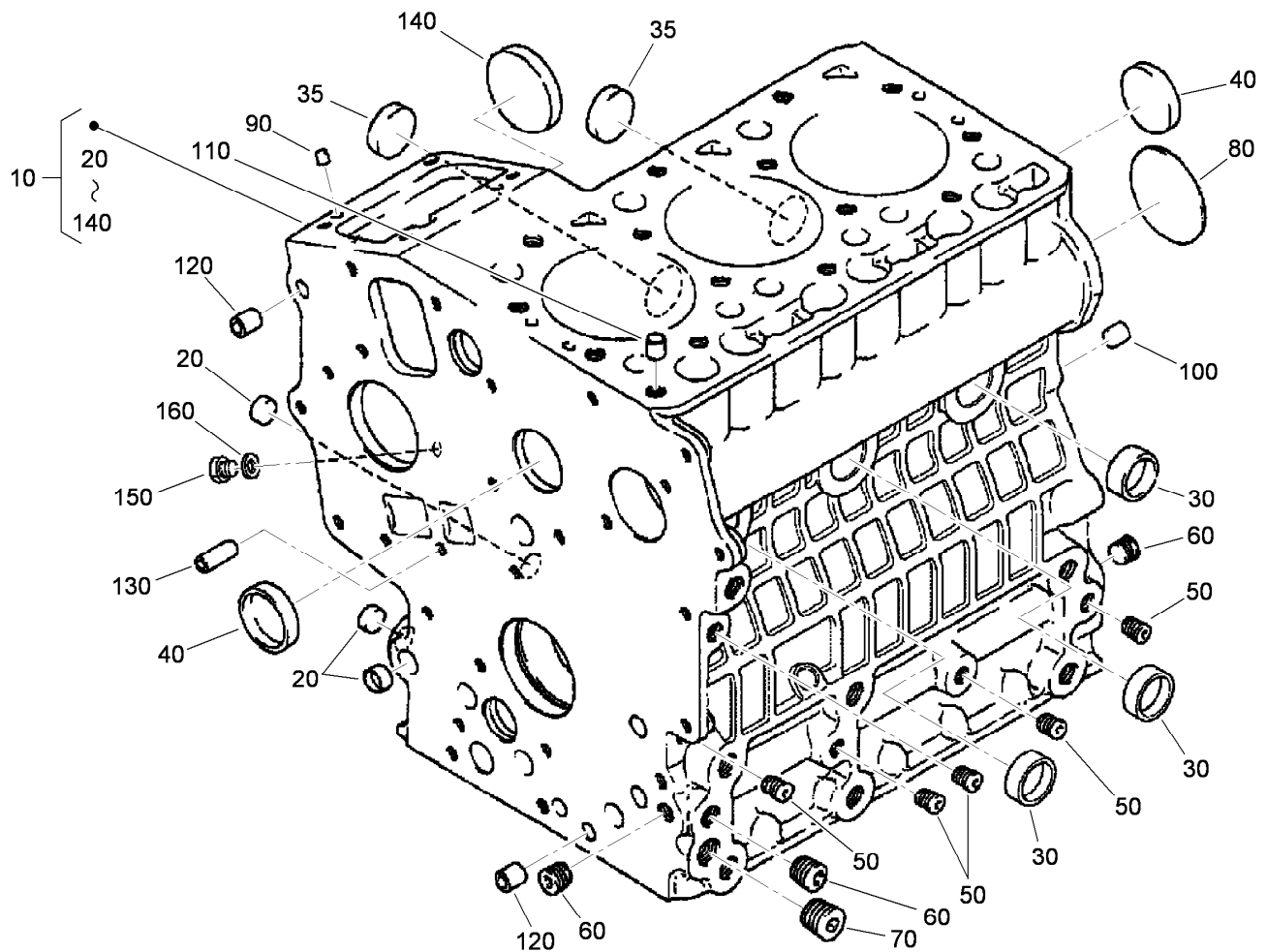
Hood Assembly

<i>Ref.</i>	<i>Part Number</i>	<i>Qty.</i>	<i>Description</i>
1	112-2460	1	Hood ASM
1:2	112-2464	1	Foiltape-LH
1:3	112-2465	1	Foiltape-RH
2	100-1284	1	Hinge-Hood
3	9114604	9	Screw-Head, Truss
4	32128-33	4	Nut-HF
5	108-6357	1	Rod-Support, Hood
6	3290-250	1	Pin-Cotter
7	115-0714	1	Bracket-Latch, Locking
8	112-2448-03	1	Bracket-Rod, Prop
9	3296-42	13	Nut-Lock, NI
10	322-3	5	Screw-HH
11	115-0790	1	Decal-Service
12	3296-29	5	Nut-Lock, NI
13	3258-166	6	Screw-PRH
14	108-6286	1	Baffle-Hood
15	108-6287-03	1	Rod Latch ASM
16	1-523420	2	Bumper
17	3290-301	2	Washer-Spring
18	106-9308	2	Spacer
19	322-5	1	Screw-HH



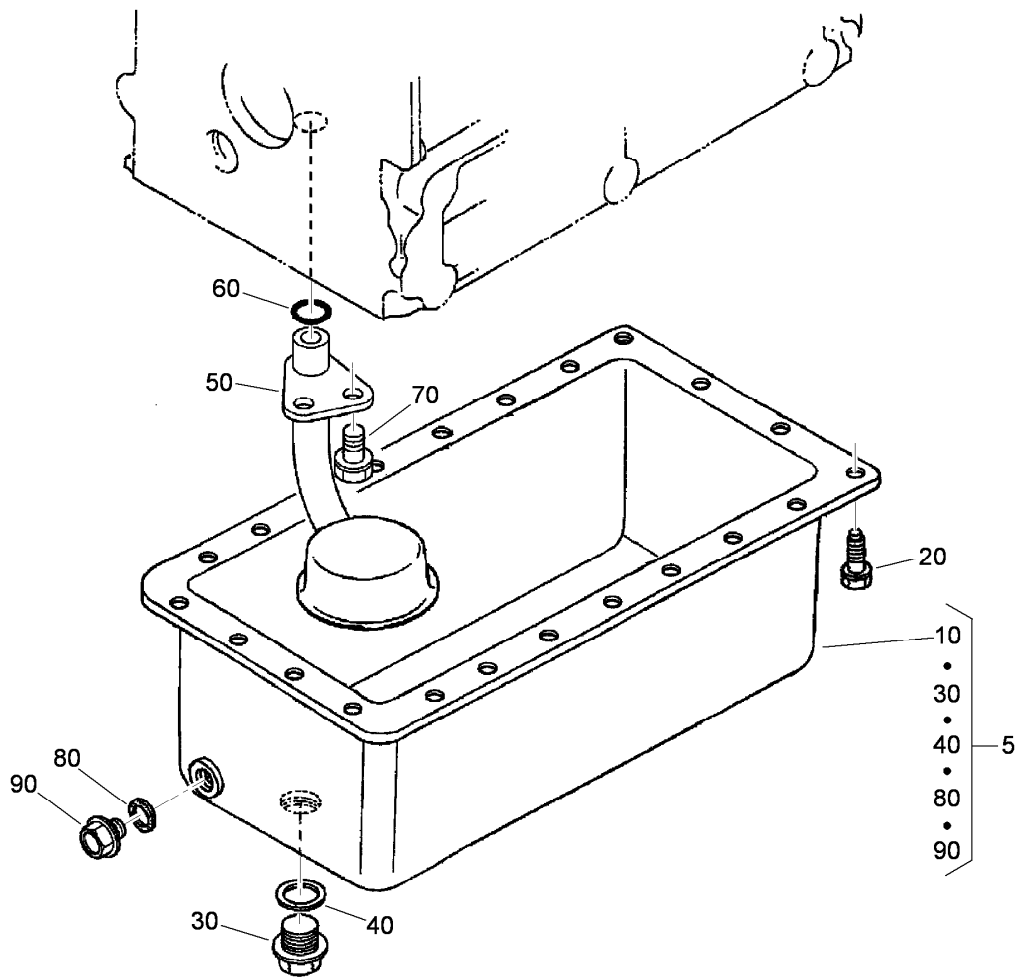
Rear Access Cover Assembly

<i>Ref.</i>	<i>Part Number</i>	<i>Qty.</i>	<i>Description</i>
1	106-9342	1	RH Rear Cover Support ASM
1:2	32148-9	1	Nut-Clinch
2	32151-72	2	Ring-Retaining
3	106-0565	2	Washer-Rubber
4	95-9648	2	Knob
5	106-9339-01	1	Cover-Access, Rear
6	3269-17	2	Rivet-Pop
7	104-7048	1	Cap-Housing
8	104-7050	1	Tube-Manual
9	2412-120	2	Clamp-R
10	3269-10	2	Washer-Back
11	106-9343	1	LH Rear Cover Support ASM
11:2	32148-9	1	Nut-Clinch
12	9266714	6	Screw-HWH
13	114-9600	1	Decal-Low Sulfur



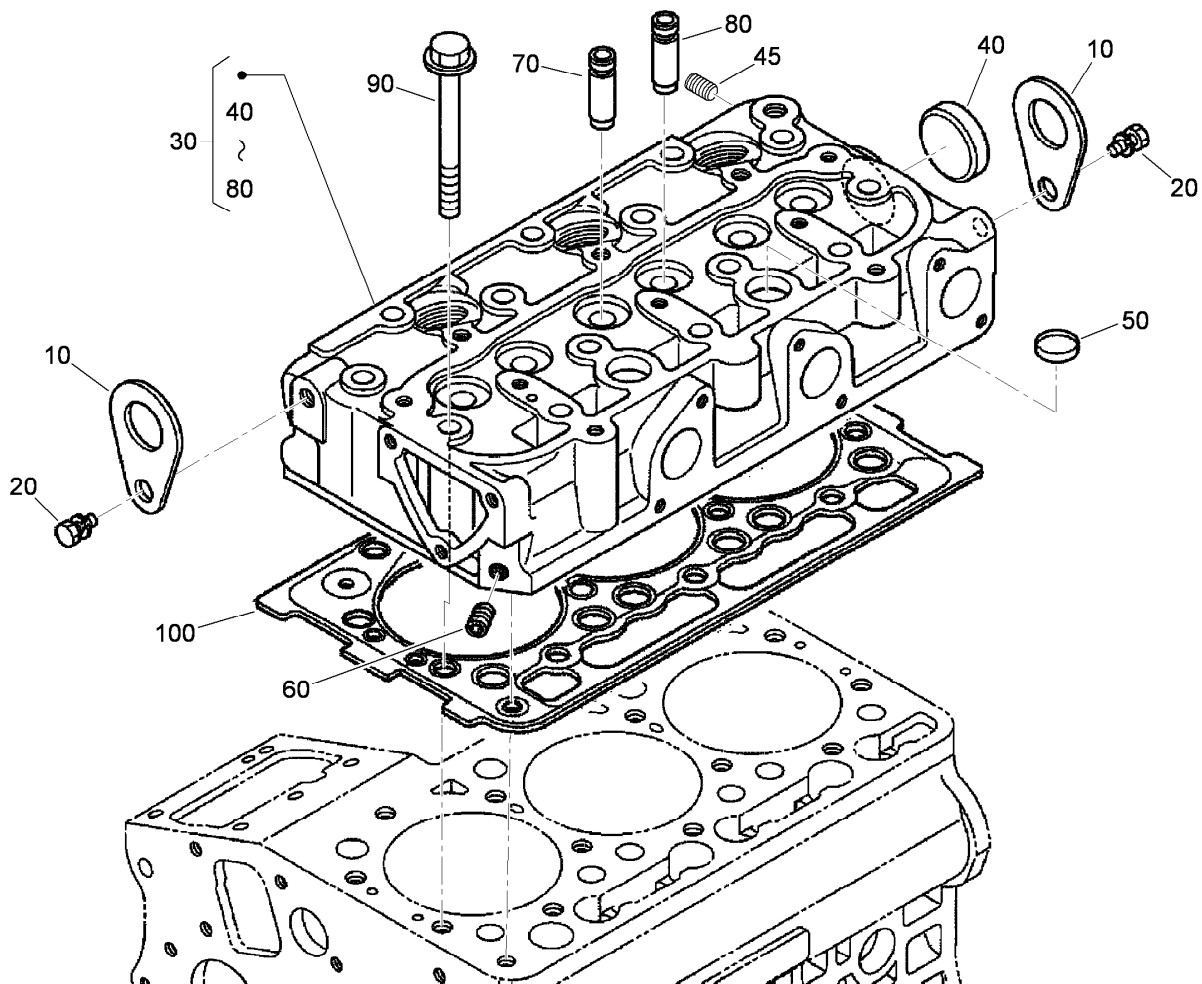
Crankcase Assembly

<i>Ref.</i>	<i>Part Number</i>	<i>Qty.</i>	<i>Description</i>
10	117-0301	1	Crankcase ASM
20	100-2019	3	Cap-Sealing
30	100-2020	3	Cap-Sealing
35	110-3702	2	Cap-Sealing
40	98-9398	2	Cap-Sealing
50	98-9687	5	Plug
60	98-7487	3	Plug
70	98-7488	1	Plug
80	100-1851	1	Plug-Expansion
90	98-9375	2	Pin-Straight
100	98-9377	2	Pin-Straight
110	98-7506	1	Pin-Pipe
120	98-9387	2	Pin-Pipe
130	100-2051	2	Pin-Pipe
140	100-1991	1	Cover-Fuel, Camshaft
150	99-3447	1	Plug
160	112-8325	1	Washer



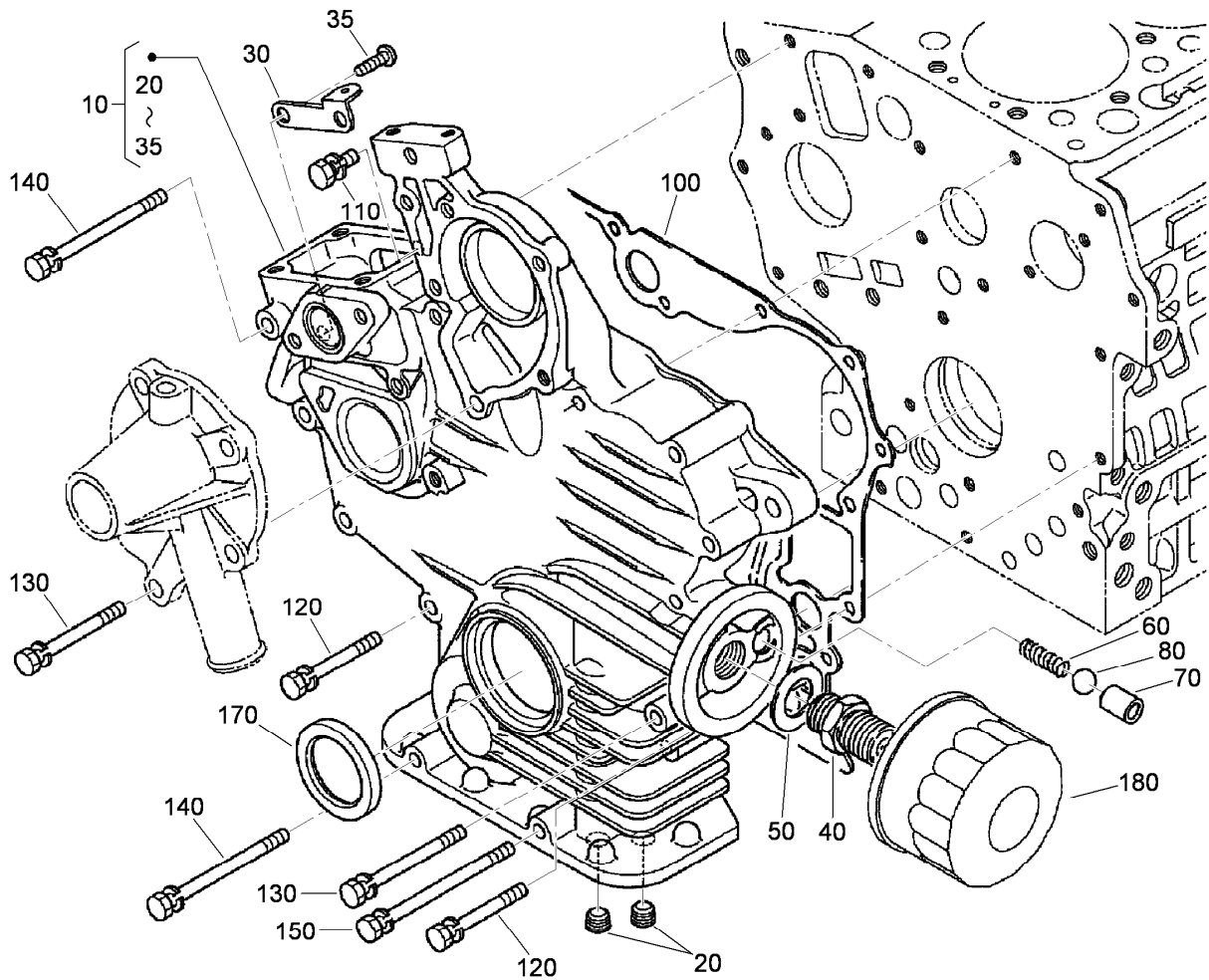
Oil Pan Assembly

<i>Ref.</i>	<i>Part Number</i>	<i>Qty.</i>	<i>Description</i>
5	112-8327	1	Oil Pan Kit
10	112-2523	1	Pan-Oil
20	117-0302	22	Bolt
30	98-9686	1	Plug-Drain
40	110-9715	1	Gasket-Pan, Oil
50	100-2001	1	Strainer-Pickup, Oil
60	105-3776	1	O-Ring
70	100-9195	1	Bolt
80	98-7524	1	Gasket
90	114-8151	1	Plug-Drain



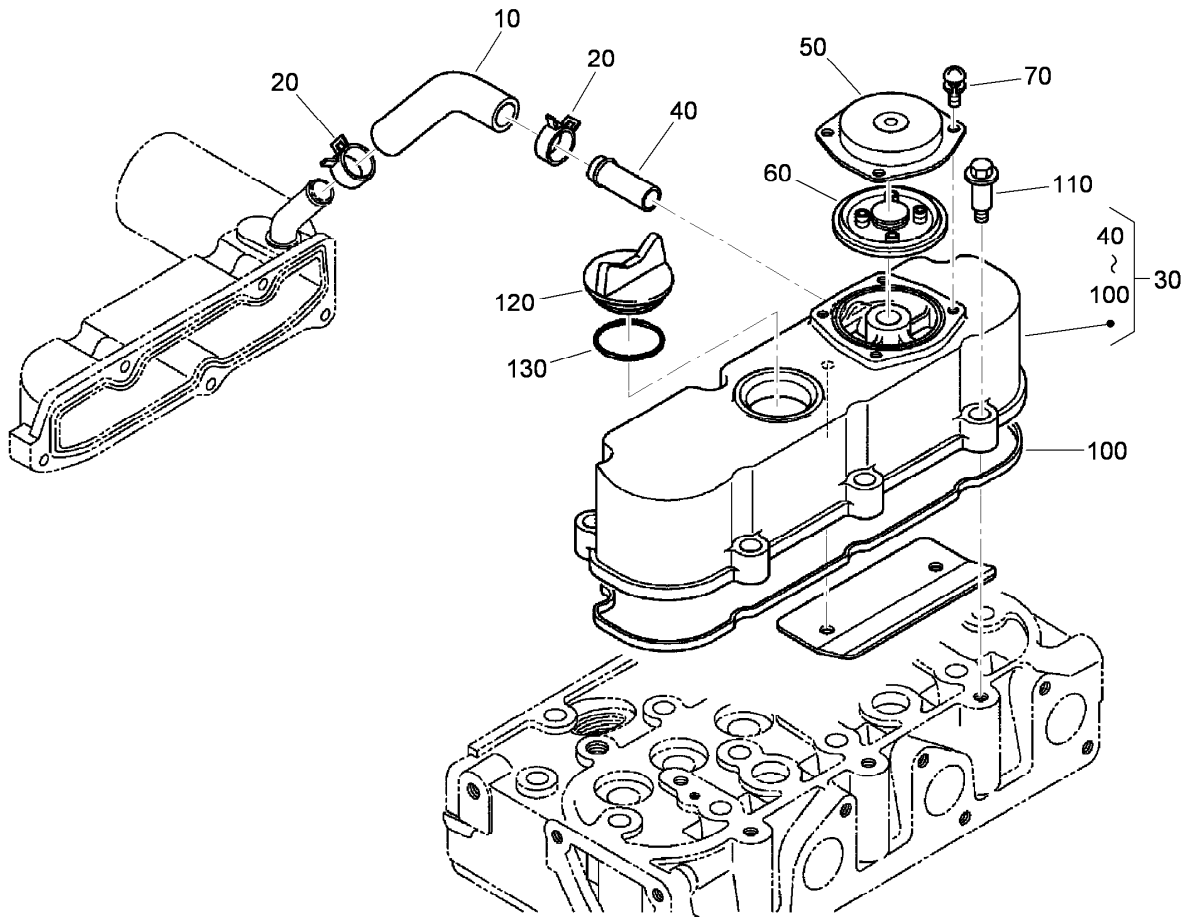
Cylinder Head Assembly

<i>Ref.</i>	<i>Part Number</i>	<i>Qty.</i>	<i>Description</i>
10	98-7531	2	Hook-Engine
20	98-7526	2	Bolt
30	112-8329	1	Head-Cylinder
40	105-3705	1	Cap-Sealing
45	98-9444	1	Plug
50	98-9389	2	Cap-Sealing
60	98-7540	1	Plug
70	100-1882	3	Guide-Valve, Inlet
80	100-1883	3	Guide-Valve, Exhaust
90	100-1820	14	Bolt-Head, Cylinder
100	112-2520	1	Gasket-Head, Cylinder



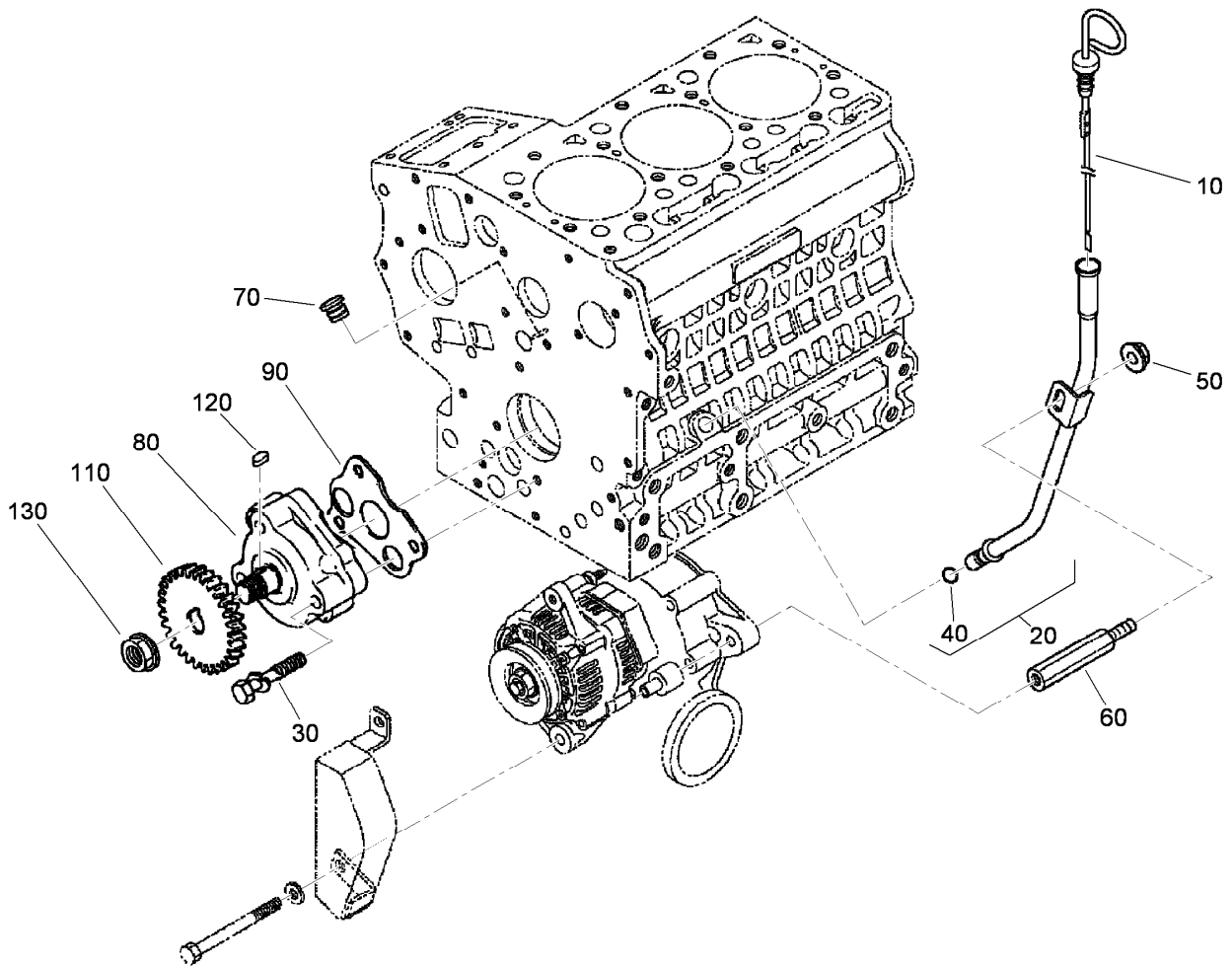
Gear Case and Oil Filter Cartridge Assembly

<i>Ref.</i>	<i>Part Number</i>	<i>Qty.</i>	<i>Description</i>
10	117-1702	1	Gear Case ASM
20	98-7488	2	Plug
30	110-3708	1	Stay-Spring, Start
35	100-2040	2	Screw
40	98-9388	1	Joint-Pipe
50	100-1926	1	Washer-Plain
60	100-2004	1	Spring
70	100-1894	1	Seat-Valve
80	100-1792	1	Ball
100	117-0327	1	Gasket-Case, Gear
110	98-7605	1	Bolt
120	105-3797	9	Bolt
130	100-1922	2	Bolt
140	98-9357	2	Bolt
150	110-3710	1	Bolt
170	100-1971	1	Seal-Oil
180	100-1892	1	Cartridge-Filter, Oil



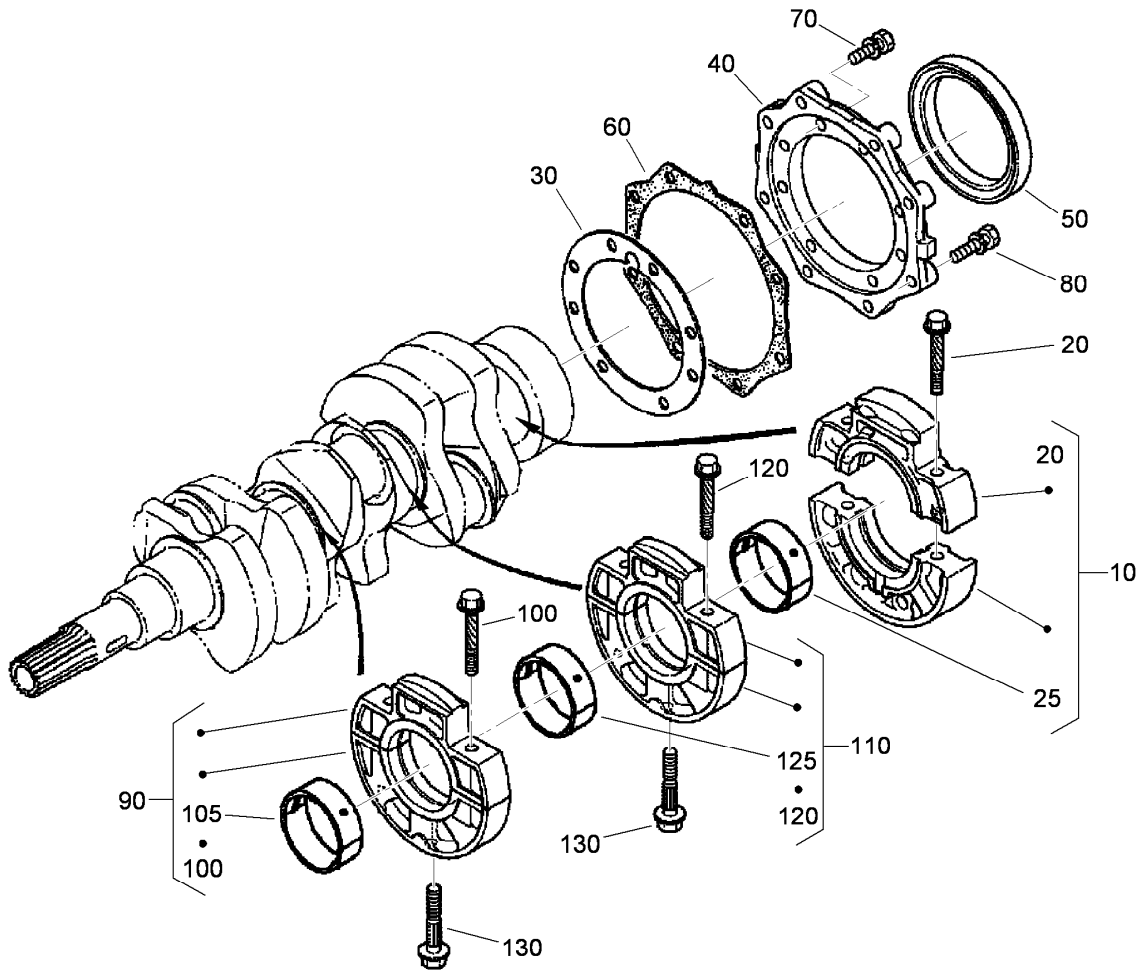
Cylinder Head Cover Assembly

<i>Ref.</i>	<i>Part Number</i>	<i>Qty.</i>	<i>Description</i>
10	110-3711	1	Tube-Breather
20	110-3712	2	Clamp-Hose
30	112-8332	1	Cylinder Head Cover ASM
40	98-9580	1	Pipe-Return, Water
50	110-3714	1	Cover-Breather
60	110-3715	1	Valve-Breather
70	98-9364	4	Screw (With Washer)
100	112-2521	1	Gasket-Cover, Head
110	108-7063	4	Bolt
120	107-9075	1	Plug-Filler, Oil
130	99-3446	1	O-Ring



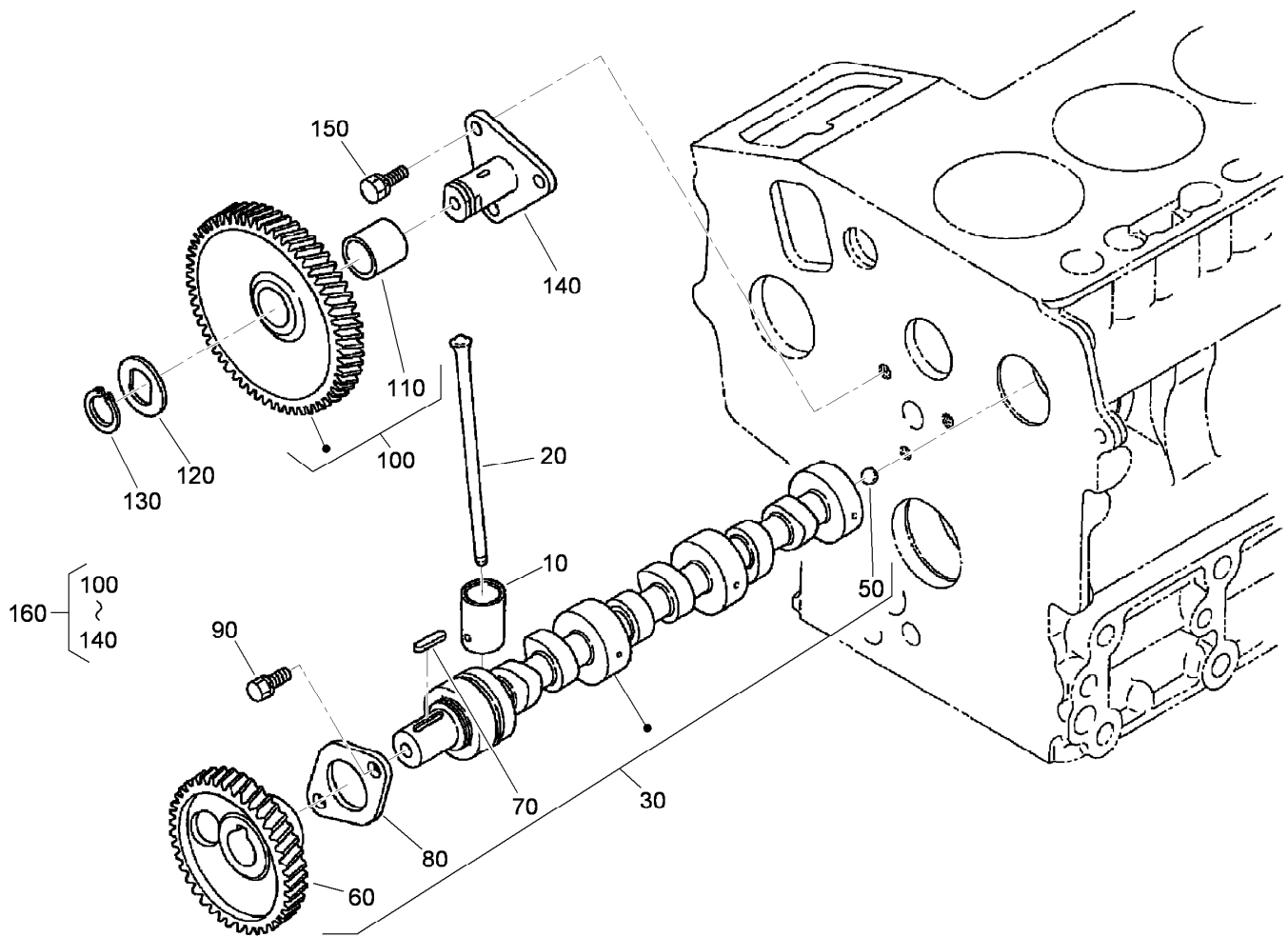
Dipstick, Guide and Oil Pump Assembly

<i>Ref.</i>	<i>Part Number</i>	<i>Qty.</i>	<i>Description</i>
10	112-2489	1	Gauge-Oil
20	112-2490	1	Oil Gauge Guide ASM
30	100-1923	1	Bolt
40	98-9722	3	O-Ring
50	112-2492	1	Nut-Flange
60	112-2493	1	Support-Guide, Gauge
70	110-3720	1	Plug-Gauge, Oil
80	100-2002	1	Oil Pump ASM
90	100-2003	1	Gasket-Pump, Oil
110	100-1893	1	Gear-Drive, Oil Pump
120	98-7658	1	Key-Feather
130	100-1779	2	Nut-Flange



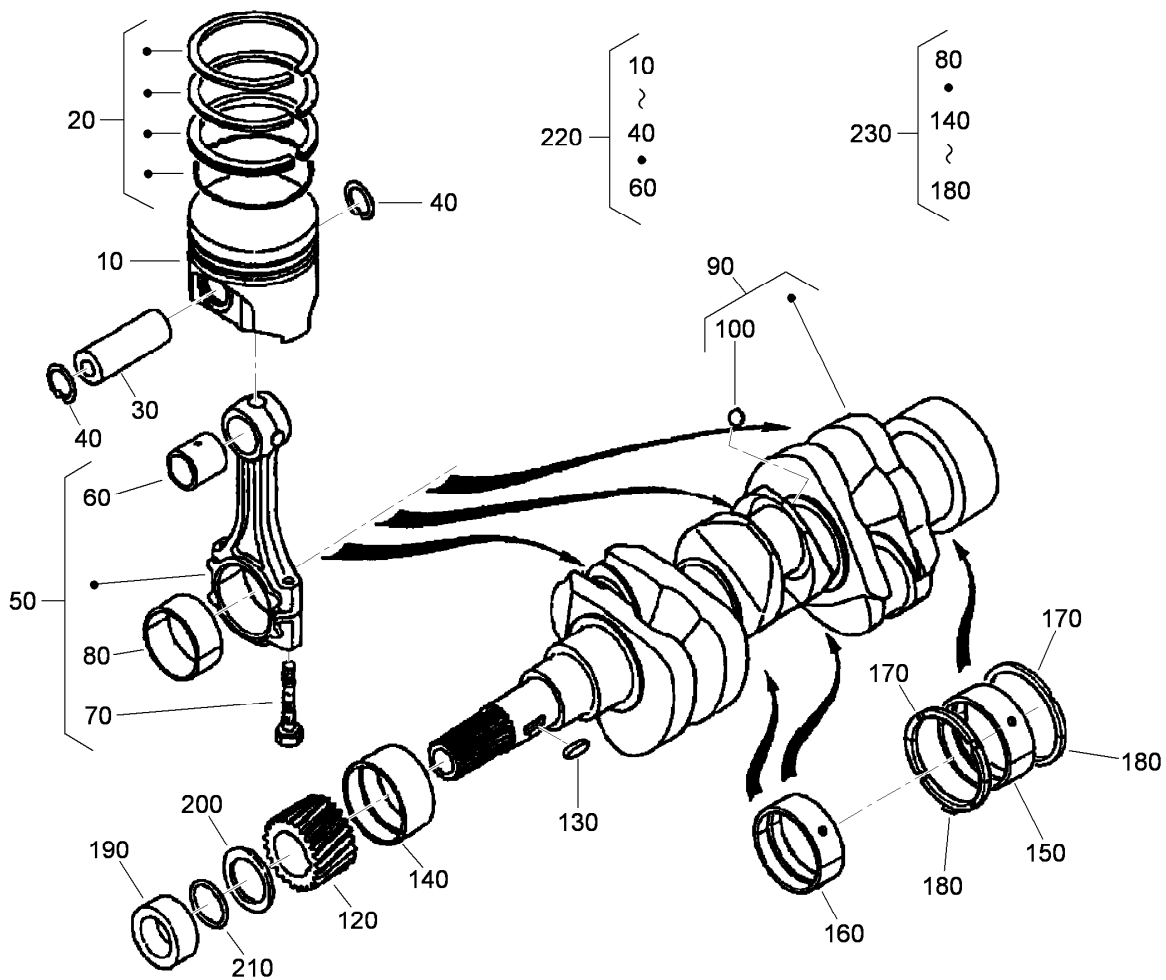
Main Bearing Case Assembly

<i>Ref.</i>	<i>Part Number</i>	<i>Qty.</i>	<i>Description</i>
10	112-2494	1	Wheel Case Bearing ASM
20	110-3723	2	Bolt-Case, Bearing
25	110-3744	1	Crankshaft Metal ASM (STD)
30	112-2812	1	Gasket-Case, Bearing
40	112-8334	1	Cover-Case, Bearing
50	110-3724	1	Seal-Oil
60	100-1876	1	Gasket-Cover, Case
70	98-7568	8	Bolt
80	100-1750	8	Bolt
90	112-2495	1	Main Case Bearing ASM
100	110-3723	2	Bolt-Case, Bearing
105	110-3741	1	Crankshaft Metal ASM (STD)
110	112-2496	1	Main Case Bearing ASM
120	110-3723	2	Bolt-Case, Bearing
125	110-3741	1	Crankshaft Metal ASM (STD)
130	100-1874	2	Bolt-Case, Bearing



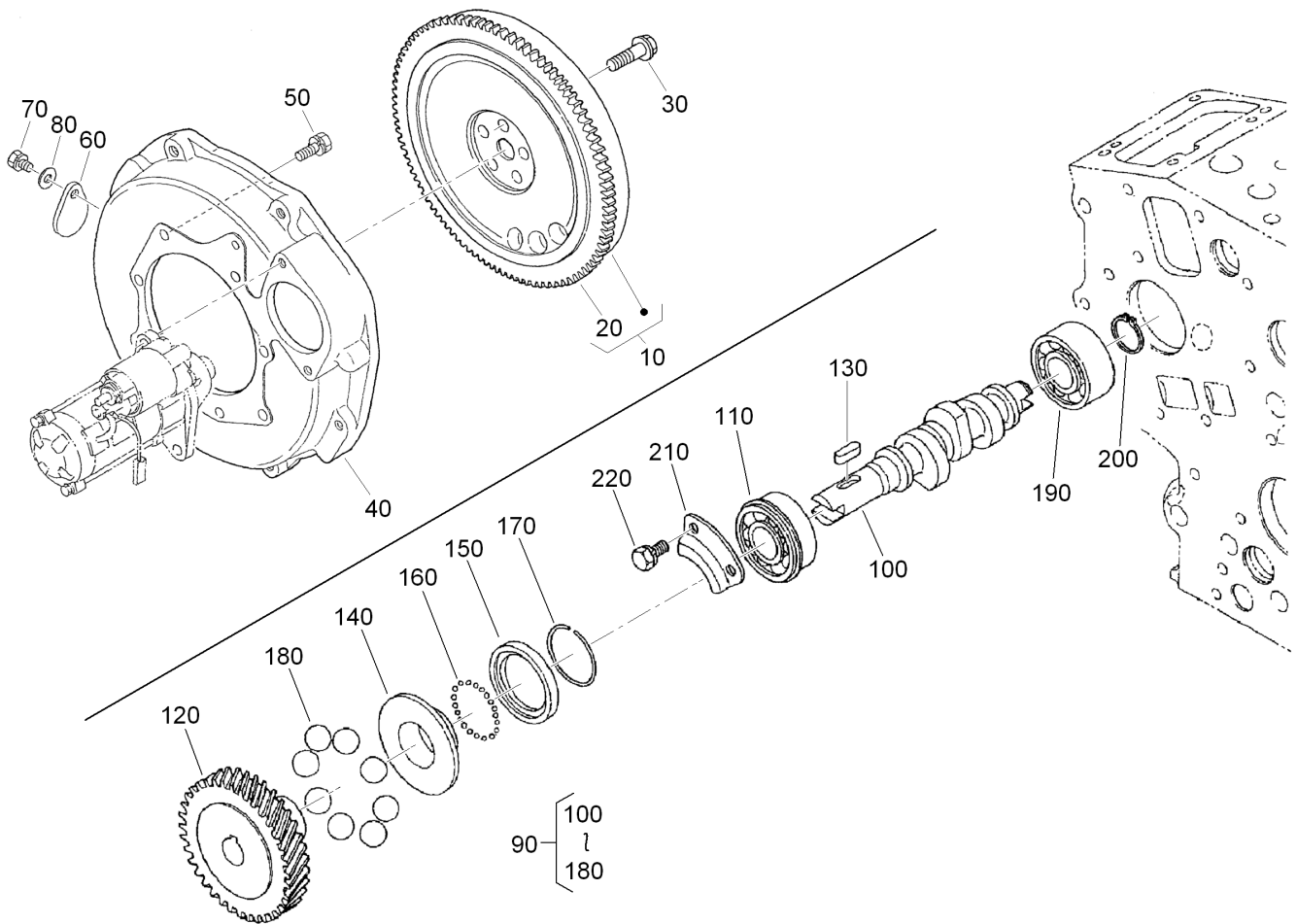
Cam Shaft and Idle Gear Shaft Assembly

<i>Ref.</i>	<i>Part Number</i>	<i>Qty.</i>	<i>Description</i>
10	110-3727	6	Tappet
20	100-1989	6	Rod-Push
30	117-0305	1	Camshaft ASM
50	110-3729	1	Ball
60	100-2163	1	Gear-Cam
70	98-9378	1	Key-Feather
80	100-1887	1	Stopper-Camshaft
90	98-9350	2	Bolt
100	100-1966	1	Gear-Idle
110	100-1968	1	Bushing
120	100-1970	1	Collar-Gear, Idle
130	100-1969	1	Ring-Snap
140	100-1967	1	Shaft-Gear, Idle
150	98-9351	3	Bolt
160	100-2240	1	Idle Gear ASM



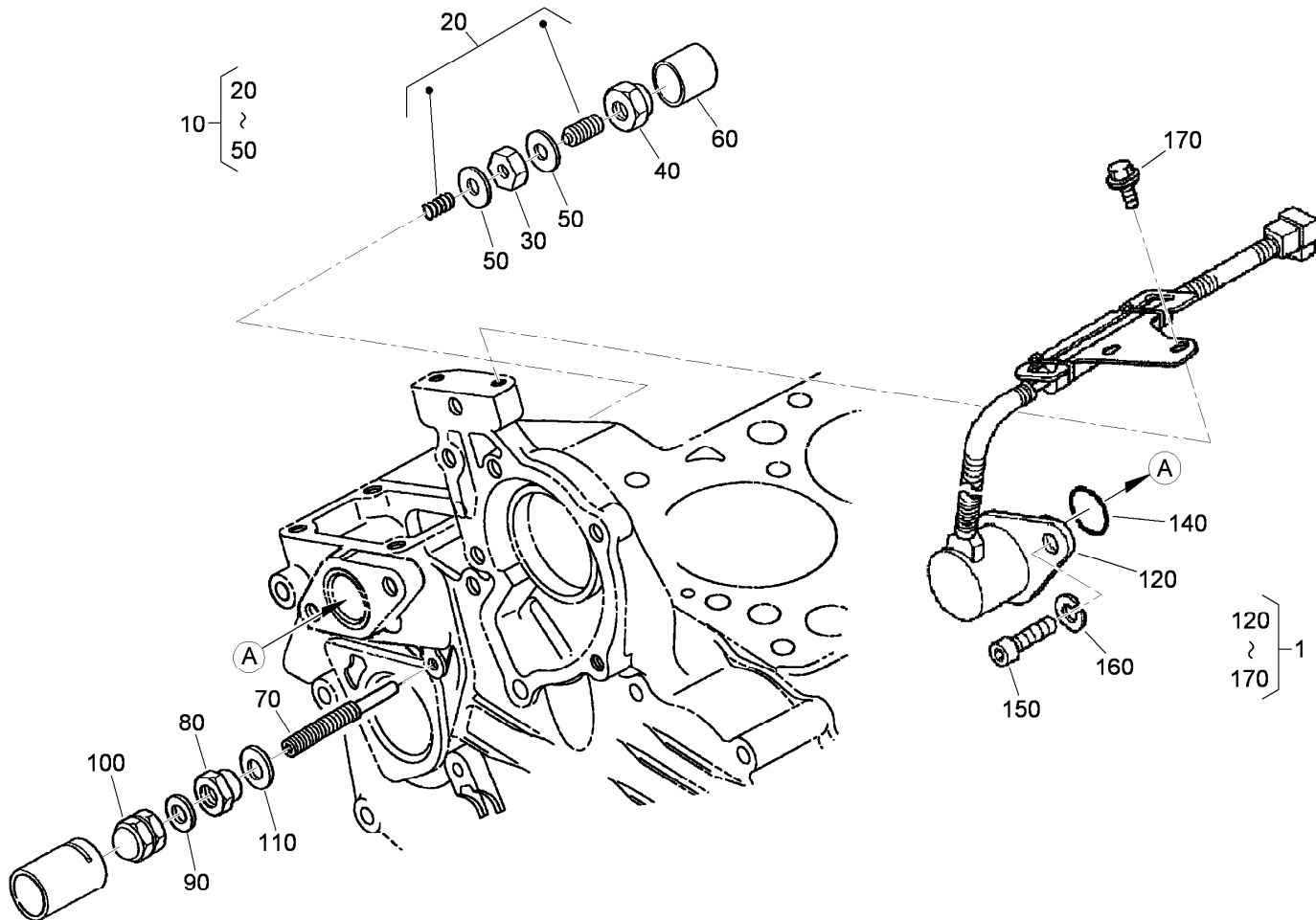
Piston and Crankshaft Assembly

Ref.	Part Number	Qty.	Description	Ref.	Part Number	Qty.	Description
10	117-0306	3	Piston (STD)	150	110-3746	1	Crankshaft Metal ASM (-0.40MM)
10	117-0307	3	Piston (+.25MM)	160	110-3741	2	Crankshaft Metal ASM (STD)
20	112-2501	3	Piston Ring ASM (STD)	160	110-3742	2	Crankshaft Metal ASM (-0.20MM)
20	112-2502	3	Piston Ring ASM (+.25MM)	160	110-3743	2	Crankshaft Metal ASM (-0.40Mm)
30	110-3734	3	Pin-Piston	170	100-1836	2	Metal-Side (STD)
40	100-1835	6	Circlip-Internal	170	100-1838	2	Metal-Side (+0.20MM)
50	110-3735	3	Connecting Rod ASM	170	100-1839	2	Metal-Side (+0.40MM)
60	110-3736	3	Bushing-Pin, Piston	180	117-0309	2	Metal-Side (STD)
70	100-1999	6	Bolt-Rod, Connecting	180	117-0310	2	Metal-Side (+0.20Mm)
80	100-2000	3	Metal-Crankpin (STD)	180	117-0311	2	Metal-Side (+0.40Mm)
80	100-1942	3	Metal-Crankpin (-0.20Mm)	190	100-1890	1	Collar-Crankshaft
80	100-1943	3	Metal-Crankpin (-0.40Mm)	200	100-1974	1	Slinger-Oil
90	117-0308	1	Crankshaft	210	100-2209	1	O-Ring
100	100-1791	3	Ball	220	112-2497	3	Piston Kit (STD)
120	100-1891	1	Gear-Crankshaft	220	112-2498	3	Piston Kit (+.25MM)
130	100-1752	1	Key-Feather	230	110-3749	1	Engine Metal Kit
140	110-3738	1	Metal-Crankshaft (STD)	230	110-3750	1	Engine Metal Kit
140	110-3739	1	Metal-Crankshaft (-0.20MM)	230	110-3751	1	Engine Metal Kit
140	110-3740	1	Metal-Crankshaft (-0.40MM)				
150	110-3744	1	Crankshaft Metal ASM (STD)				
150	110-3745	1	Crankshaft Metal ASM (-0.20MM)				



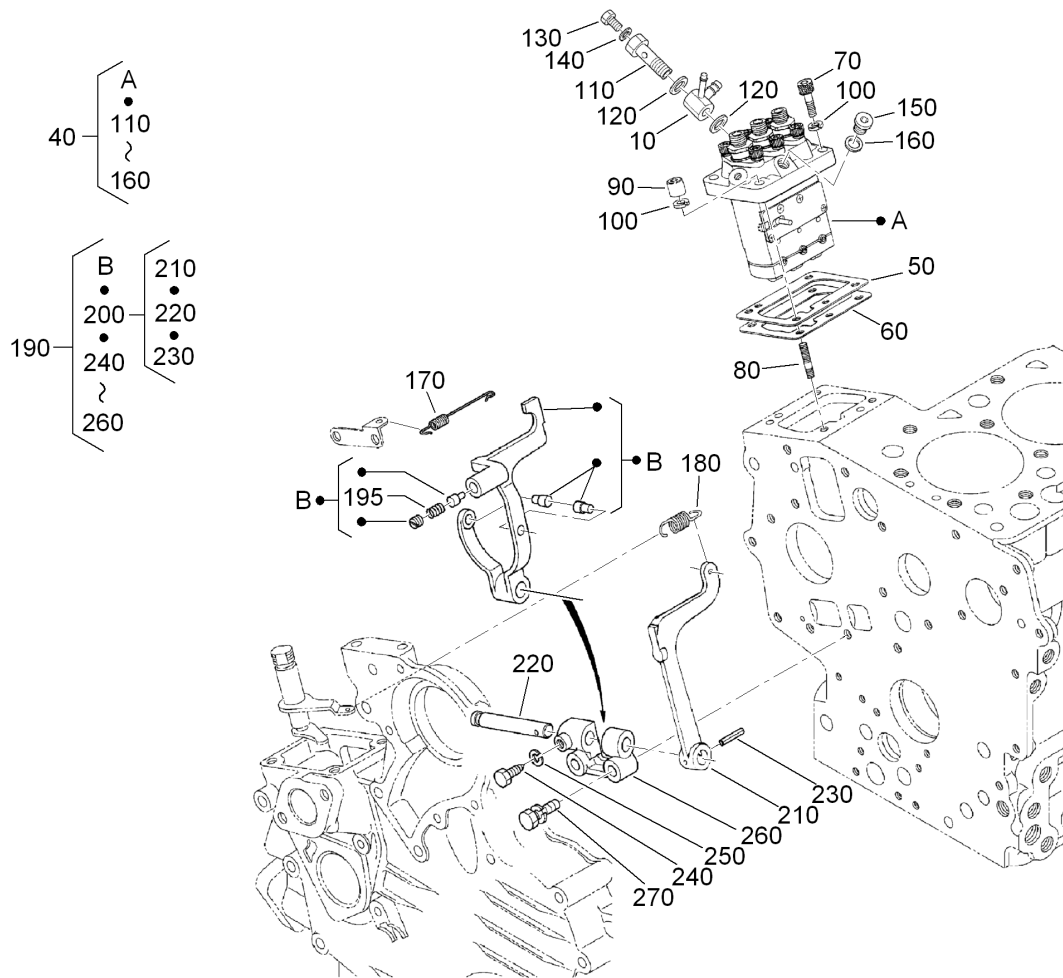
Flywheel and Fuel Camshaft Assembly

<i>Ref.</i>	<i>Part Number</i>	<i>Qty.</i>	<i>Description</i>
10	110-3752	1	Flywheel
20	112-2816	1	Gear-Ring
30	100-1930	5	Bolt-Flywheel
40	117-1703	1	Housing-Flywheel
50	98-9359	10	Bolt
60	100-2177	1	Cover
70	100-9195	1	Bolt
80	98-7660	1	Washer-Plain
90	112-8335	1	Fuel Camshaft ASM
100	112-2818	1	Camshaft-Fuel
110	100-1795	1	Bearing-Ball
120	100-2006	1	Gear-Pump, Injection
130	100-1752	1	Key-Feather
140	112-8336	1	Sleeve-Governor
150	100-1904	1	Case-Ball, Governor
160	100-1790	32	Ball
170	100-1843	1	Circ-Clip
180	100-1793	8	Ball
190	110-3757	1	Bearing-Ball
200	100-1784	1	Circ-Clip, External
210	100-1888	1	Stopper-Fuel, Camshaft
220	98-9350	2	Bolt



Idle Apparatus and Stop Solenoid Assembly

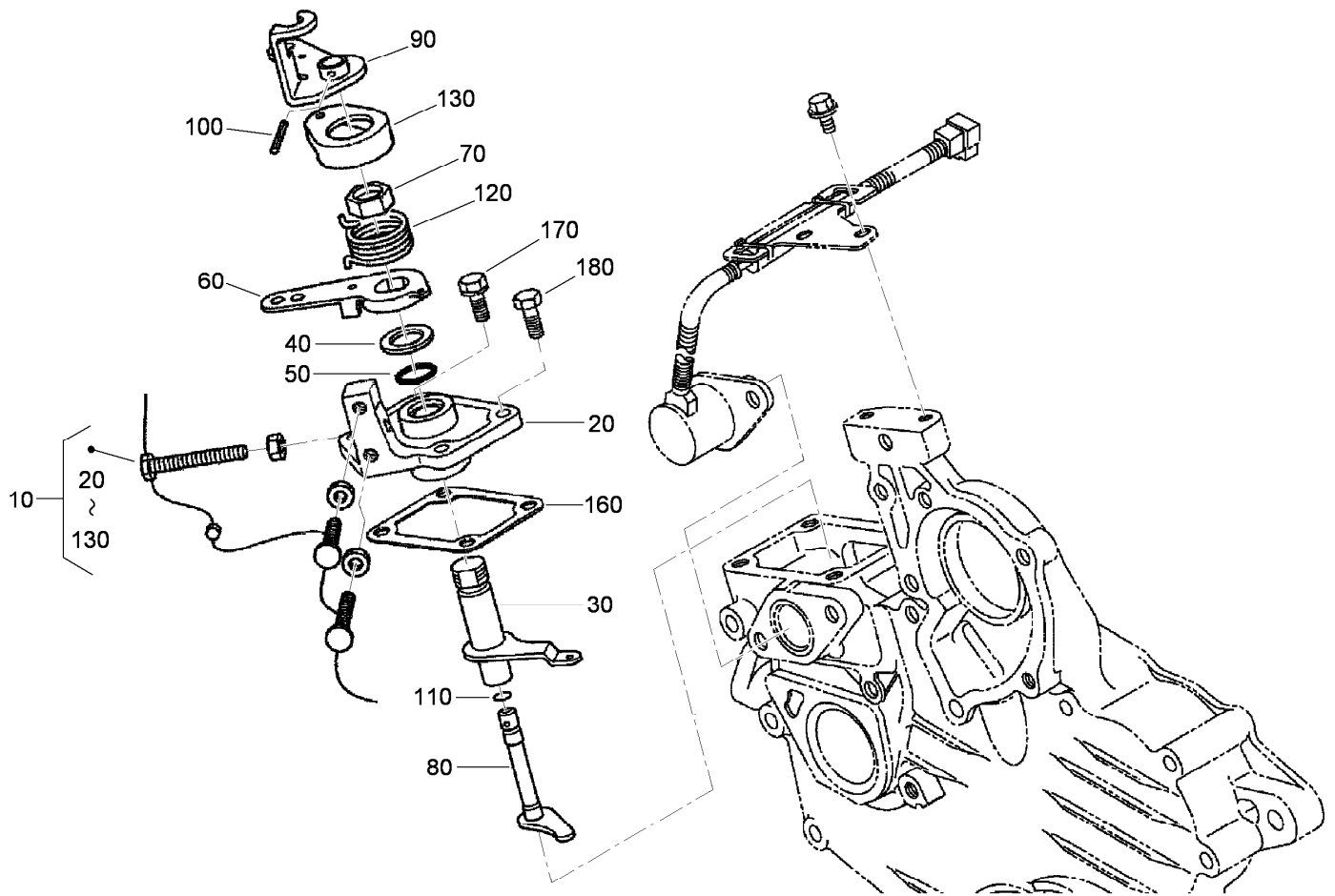
Ref.	Part Number	Qty.	Description
1	117-0312	1	*obs* Solenoid ASM
10	100-1898	1	Idle Apparatus ASM
20	100-1899	1	Adjusting Bolt ASM
30	100-1846	1	Nut
40	100-1901	1	Nut-Cap
50	98-7428	2	Gasket
60	100-1902	1	Cap
70	110-3758	1	Bolt-Adjusting
80	100-2175	1	Nut-Lock
90	98-7654	1	Gasket
100	99-8387	1	Nut-Cap
110	107-9081	1	Gasket
120	117-2719	1	Solenoid Stop ASM
140	110-3762	1	O-Ring
150	110-3763	2	Bolt-HSH
160	98-7699	2	Washer-Spring
170	100-1774	2	Bolt-Flange



Injection Pump and Governor Assembly

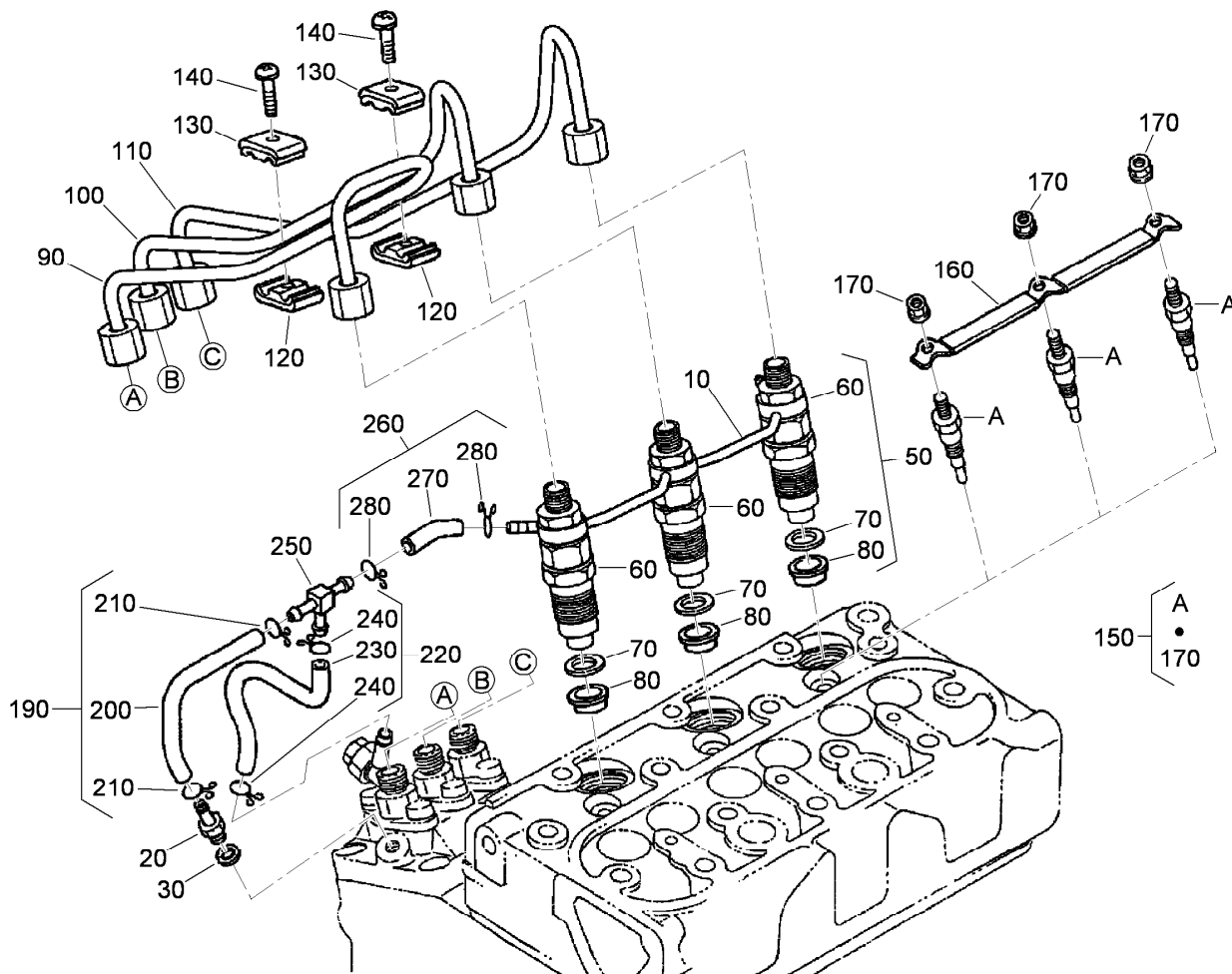
<i>Ref.</i>	<i>Part Number</i>	<i>Qty.</i>	<i>Description</i>
10	110-3764	1	Joint
40	110-3765	1	Injection Pump ASM
50	115-3045	1	Shim-Injection (0.175MM)
50	98-9456	1	Shim-Injection (0.20MM)
50	98-9457	1	Shim-Injection (0.25MM)
60	115-3046	1	Shim-Injection (0.35MM)
60	98-9458	1	Shim-Injection (0.30MM)
70	98-9361	2	Bolt-HSH
80	98-9438	2	Stud
90	98-9440	2	Nut-Cap
100	98-7699	4	Washer-Spring
110	100-1896	1	Screw-Hollow
120	98-9445	2	Gasket
130	98-9430	1	Screw
140	98-9446	1	Gasket

<i>Ref.</i>	<i>Part Number</i>	<i>Qty.</i>	<i>Description</i>
150	98-9466	1	Plug
160	98-9451	1	Gasket
170	110-3766	1	Spring-Start
180	110-3767	1	Spring-Governor
190	112-2506	1	Fork Lever ASM
195	117-0313	1	Spring
200	100-1905	1	Fork Lever ASM
210	100-1907	1	Lever-Fork
220	100-1908	1	Shaft-Lever, Fork
230	100-1751	1	Pin-Spring
240	100-1845	1	Bolt
250	100-2204	1	Washer-Spring
260	100-1909	1	Holder-Lever, Fork
270	100-1763	2	Bolt



Speed Control Plate Assembly

<i>Ref.</i>	<i>Part Number</i>	<i>Qty.</i>	<i>Description</i>
10	110-3769	1	Speed Control Plate ASM
20	110-3770	1	Plate-Control, Speed
30	110-3771	1	Lever-Governor
40	110-3772	1	Collar
50	100-2208	1	O-Ring
60	110-3773	1	Lever-Control, Speed
70	110-3774	1	Nut-Control, Speed
80	110-3775	1	Shaft-Lever
90	110-3776	1	Lever-Stop, Engine
100	110-3777	1	Pin-Spring
110	100-2207	1	O-Ring
120	110-3778	1	Spring-Return
130	110-3779	1	Cap
160	100-1962	1	Gasket-Plate, Control
170	98-7605	2	Bolt
180	112-2507	2	Bolt

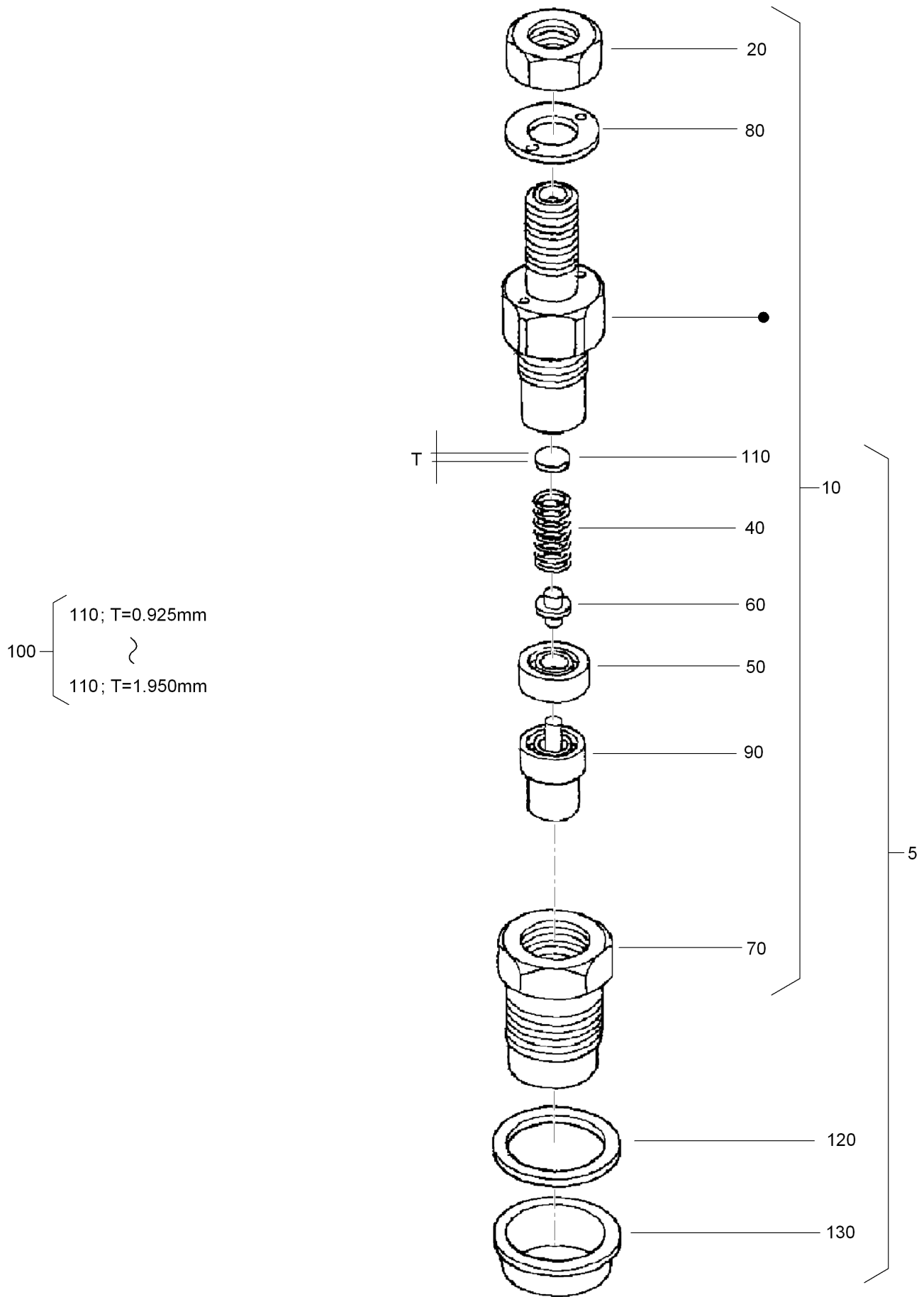


Nozzle Holder and Glow Plug Assembly

Ref.	Part Number	Qty.	Description
10	110-3780	1	Over Flow Pipe ASM
20	98-9431	1	Screw-Bleeder, Air
30	98-7654	1	Gasket
50	100-1982	3	Nozzle Holder Kit
60	100-1758	3	Nozzle Holder ASM
70	98-7676	3	Gasket
80	98-7677	3	Seal-Heat
90	110-3781	1	Pipe-Injection
100	110-3782	1	Pipe-Injection
110	110-3783	1	Pipe-Injection
120	98-7682	2	Clamp-Pipe
130	98-7683	2	Clamp-Pipe
140	98-7684	2	Screw (W/Washer)

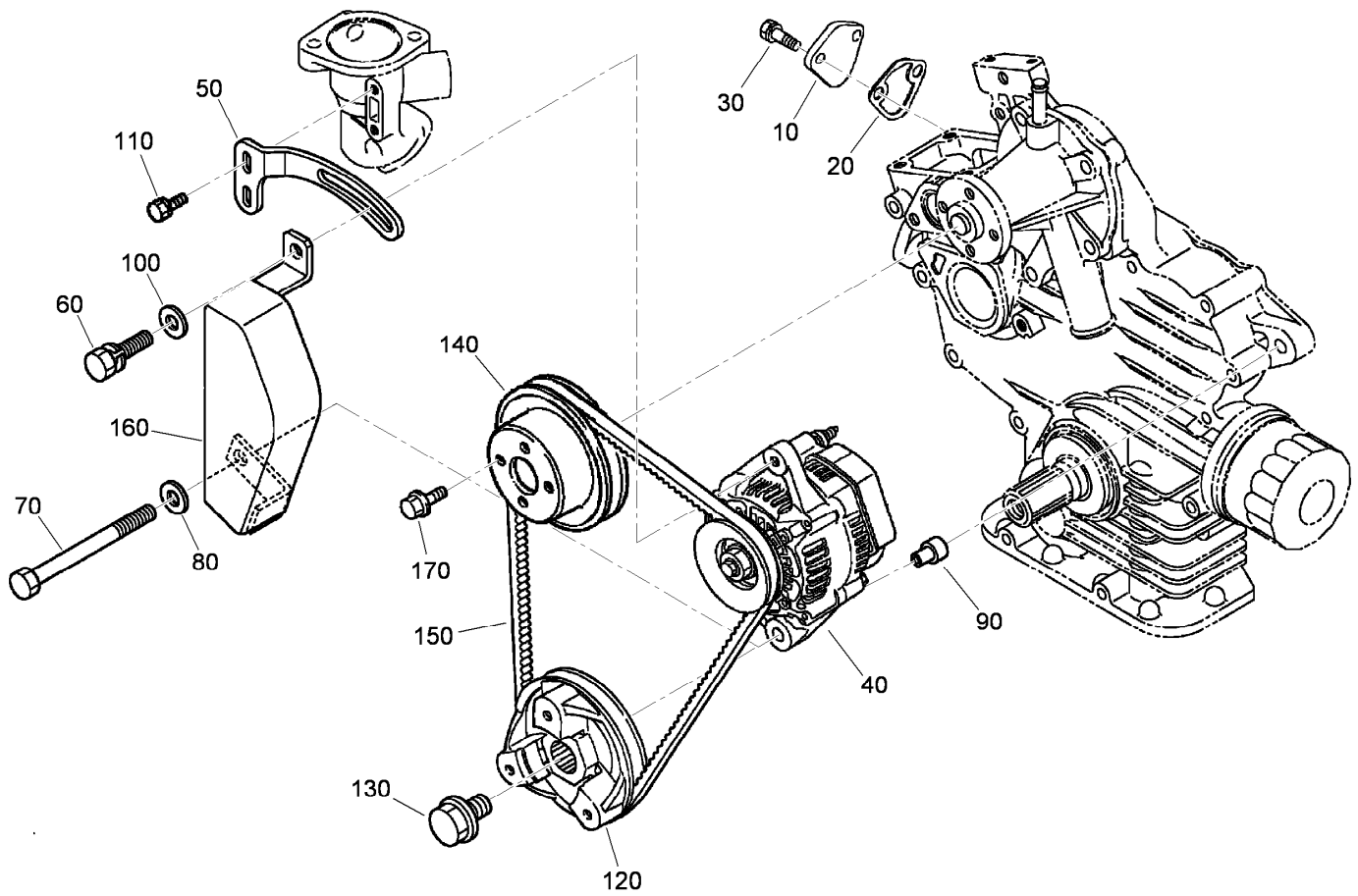
Ref.	Part Number	Qty.	Description
150	100-1854	3	Plug-Glow
160	110-3784	1	Cord-Plug, Glow
170	99-8377	3	Nut-Flange
190	110-3785	1	Fuel Tube ASM
200	110-3786	1	Tube-Fuel
210	98-7671	2	Clip-Pipe
220	110-3787	1	Fuel Tube ASM
230	110-3788	1	Tube-Fuel
240	98-7671	2	Clip-Pipe
250	112-8338	1	Pipe-Joint, T
260	110-3790	1	Fuel Tube ASM
270	110-3791	1	Tube-Fuel
280	98-7671	2	Clip-Pipe

Nozzle Holder Assembly



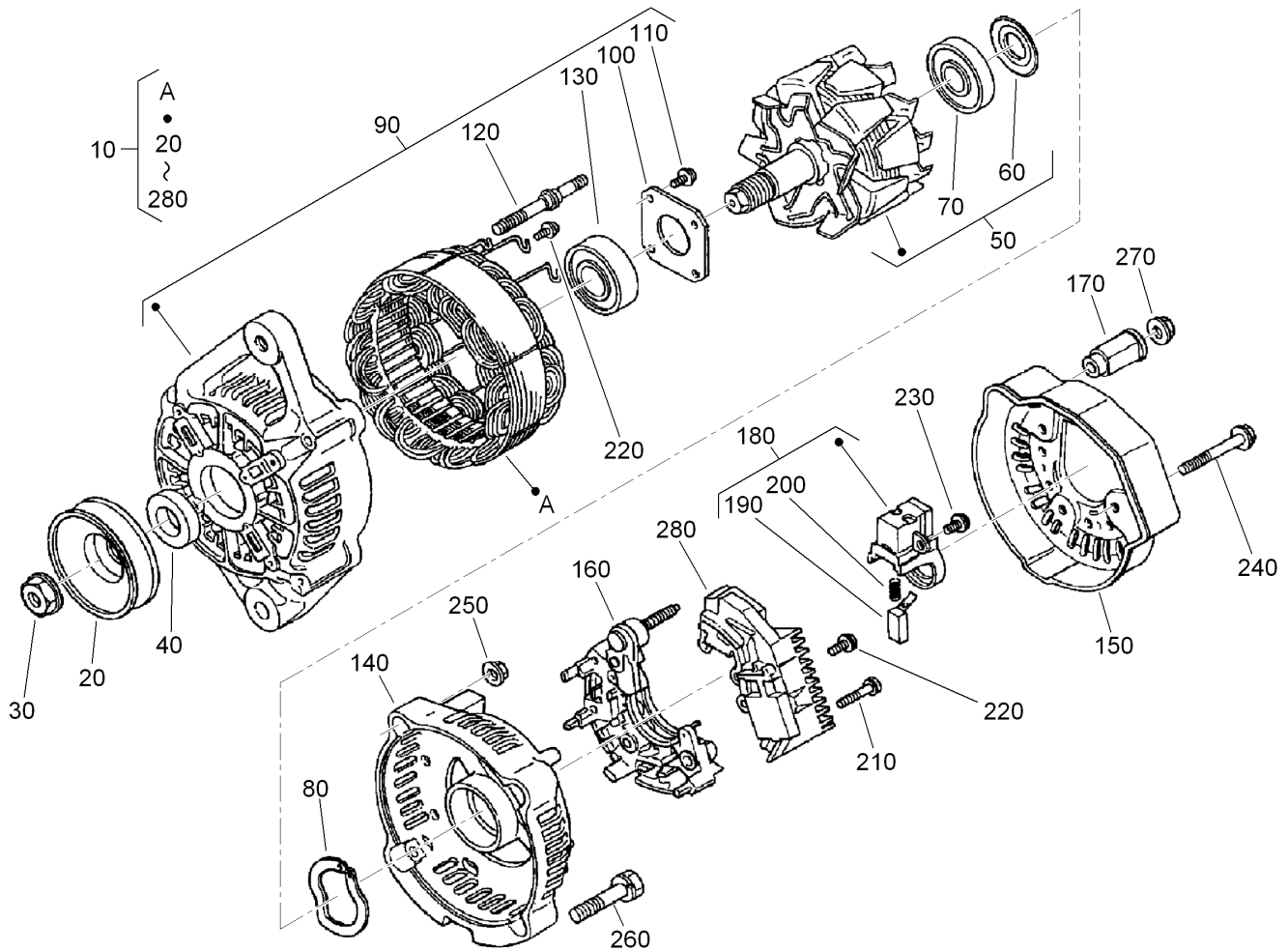
Nozzle Holder Assembly (continued)

<i>Ref.</i>	<i>Part Number</i>	<i>Qty.</i>	<i>Description</i>	<i>Ref.</i>	<i>Part Number</i>	<i>Qty.</i>	<i>Description</i>
5	100-1982	3	Nozzle Holder Kit	110	98-7860	3	Washer-Adjusting (1.400MM)
10	100-1758	3	Nozzle Holder ASM	110	98-7861	3	Washer-Adjusting (1.425MM)
20	98-7613	3	Nut	110	98-7862	3	Washer-Adjusting (1.450MM)
40	98-7647	3	Spring-Nozzle	110	98-7863	3	Washer-Adjusting (1.475MM)
50	98-7665	3	Spacer-Distance	110	98-7864	3	Washer-Adjusting (1.500MM)
60	98-7666	3	Rod-Push	110	98-7865	3	Washer-Adjusting (1.525MM)
70	100-2242	3	Nut-Nozzle	110	98-7866	3	Washer-Adjusting (1.550MM)
80	98-7668	3	Washer	110	98-7867	3	Washer-Adjusting (1.575MM)
90	100-2009	3	Piece-Nozzle	110	98-7868	3	Washer-Adjusting (1.600MM)
100	98-9448	3	Adjusting Washer ASM	110	98-7869	3	Washer-Adjusting (1.625MM)
110	98-7842	3	Washer-Adjusting (0.950Mm)	110	98-7870	3	Washer-Adjusting (1.650MM)
110	98-7841	3	Washer-Adjusting (0.925Mm)	110	98-7871	3	Washer-Adjusting (1.675MM)
110	98-7843	3	Washer-Adjusting (0.975Mm)	110	98-7872	3	Washer-Adjusting (1.700MM)
110	98-7844	3	Washer-Adjusting (1.000Mm)	110	98-7873	3	Washer-Adjusting (1.725MM)
110	98-7845	3	Washer-Adjusting (1.025Mm)	110	98-7874	3	Washer-Adjusting (1.750MM)
110	98-7846	3	Washer-Adjusting (1.050Mm)	110	98-7875	3	Washer-Adjusting (1.775MM)
110	98-7847	3	Washer-Adjusting (1.075MM)	110	98-7876	3	Washer-Adjusting (1.800MM)
110	98-7848	3	Washer-Adjusting (1.100MM)	110	98-7877	3	Washer-Adjusting (1.825MM)
110	98-7849	3	Washer-Adjusting (1.125MM)	110	98-7878	3	Washer-Adjusting (1.850MM)
110	98-7850	3	Washer-Adjusting (1.150MM)	110	98-7879	3	Washer-Adjusting (1.875MM)
110	98-7851	3	Washer-Adjusting (1.175MM)	110	98-7880	3	Washer-Adjusting (1.900MM)
110	98-7852	3	Washer-Adjusting (1.200MM)	110	98-7881	3	Washer-Adjusting (1.925MM)
110	98-7853	3	Washer-Adjusting (1.225MM)	110	98-7882	3	Washer-Adjusting (1.950MM)
110	98-7854	3	Washer-Adjusting (1.250MM)	120	98-7676	3	Gasket
110	98-7855	3	Washer-Adjusting (1.275MM)	130	98-7677	3	Seal-Heat
110	98-7856	3	Washer-Adjusting 1.300MM)				
110	98-7857	3	Washer-Adjusting (1.325MM)				
110	98-7858	3	Washer-Adjusting (1.350MM)				
110	98-7859	3	Washer-Adjusting (1.375MM)				



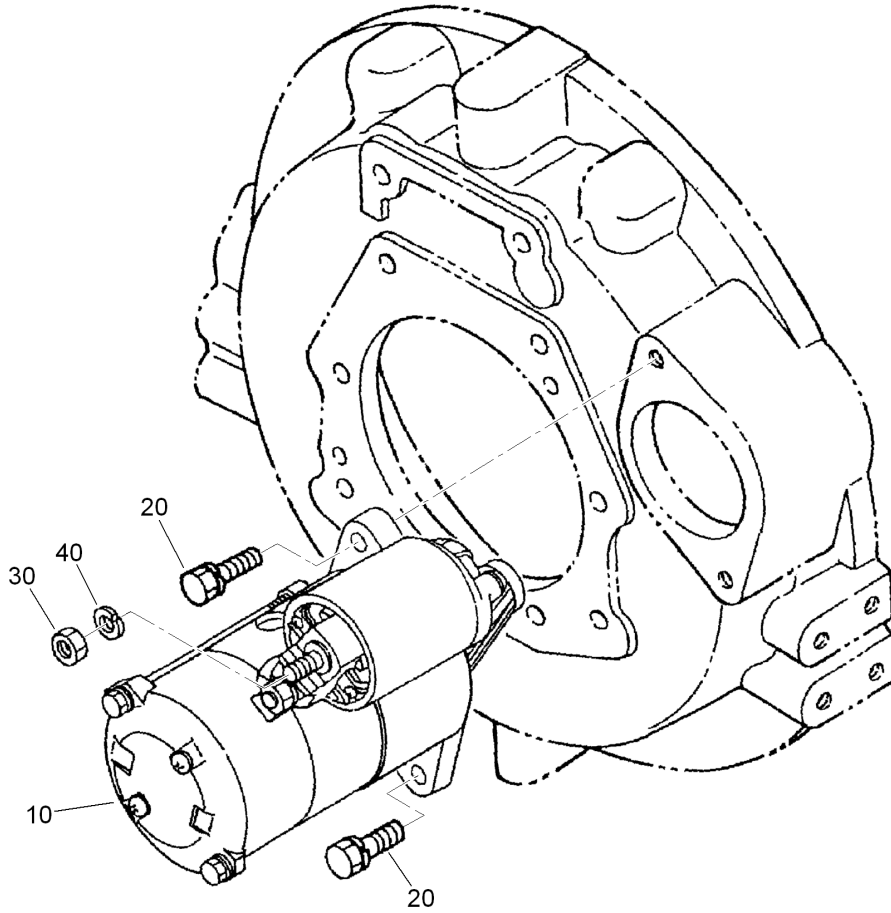
Alternator, Pulley and Fuel Pump Cover Assembly

<i>Ref.</i>	<i>Part Number</i>	<i>Qty.</i>	<i>Description</i>
10	99-3514	1	Cover
20	98-9636	1	Gasket-Pump, Fuel
30	98-7692	2	Bolt
40	98-9474	1	Alternator ASM
50	110-3792	1	Stay-Alternator
60	98-7697	1	Bolt
70	98-7556	1	Bolt
80	98-7660	1	Washer-Plain
90	110-3794	1	Collar
100	107-0119	1	Washer-Plain
110	98-7692	2	Bolt
120	112-2510	1	Pulley-Drive, Fan
130	100-1978	1	Bolt
140	100-1921	1	Pulley-Fan
150	112-2511	1	Belt
160	110-3797	1	Cover
170	99-8363	4	Bolt-Flange



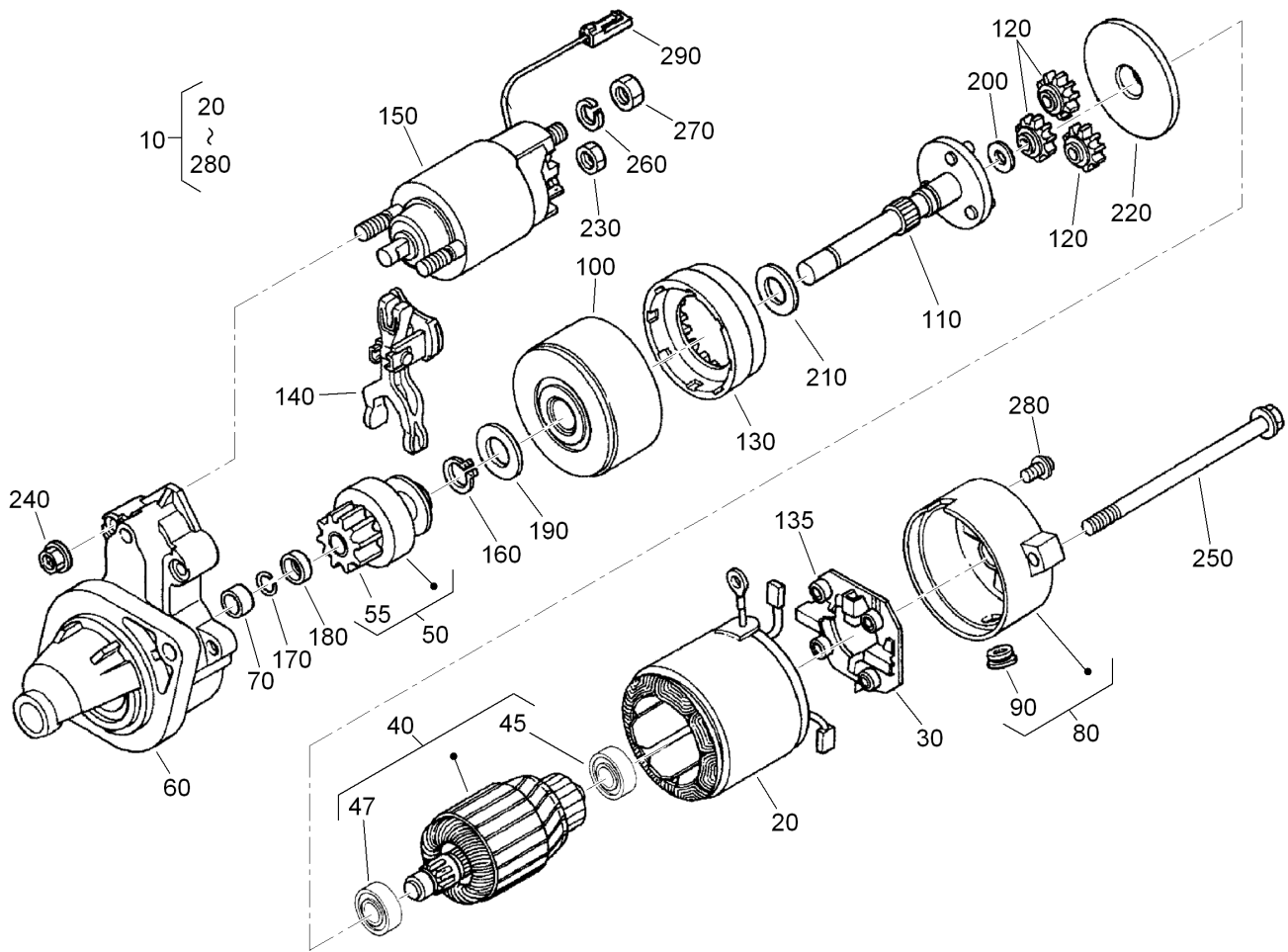
Alternator Components Assembly

<i>Ref.</i>	<i>Part Number</i>	<i>Qty.</i>	<i>Description</i>	<i>Ref.</i>	<i>Part Number</i>	<i>Qty.</i>	<i>Description</i>
10	98-9474	1	Alternator ASM	150	107-0140	1	Cover-End
20	98-9453	1	Pulley-Dynamo	160	98-7721	1	Rectifier ASM
30	98-7708	1	Nut	170	98-7722	1	Bushing-Insulation
40	98-7709	1	Collar	180	107-0141	1	Brush Holder ASM
50	107-0136	1	Rotor ASM	190	98-7724	2	Brush
60	98-7711	1	Cover-Bearing	200	98-7725	2	Spring-Brush
70	107-0138	1	Bearing-Ball	210	98-7726	2	Screw-Head, Round
80	98-7713	1	Washer-Thrust	220	98-7727	6	Screw-Head, Round
90	107-0139	1	Drive End Frame ASM	230	98-7728	1	Screw-Head, Round
100	98-7715	1	Plate-Retainer	240	98-7729	3	Bolt
110	98-7716	4	Screw-Head, Round	250	98-7730	2	Nut
120	98-7717	2	Bolt-Through	260	98-7731	2	Bolt
130	107-0137	1	Bearing-Ball	270	98-7732	1	Nut
140	107-9087	1	Frame-End	280	110-3799	1	Regulator ASM



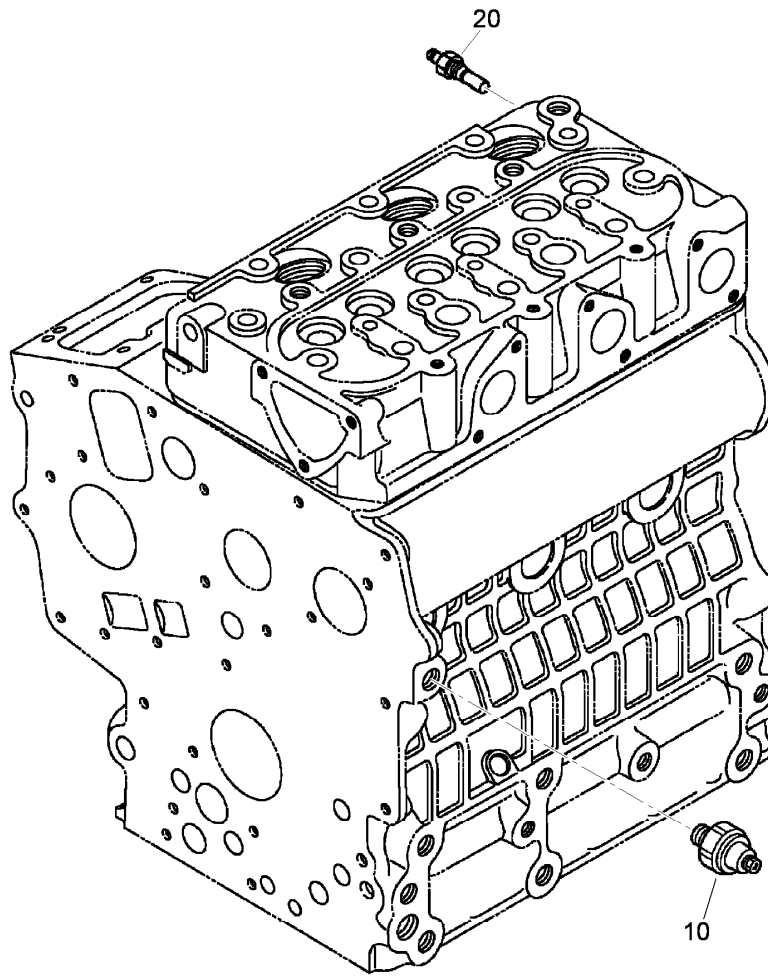
Starter Installation Assembly

<i>Ref.</i>	<i>Part Number</i>	<i>Qty.</i>	<i>Description</i>
10	100-2179	1	Starter ASM
20	98-7438	2	Bolt
30	98-7534	1	Nut
40	105-2893	1	Washer-Spring



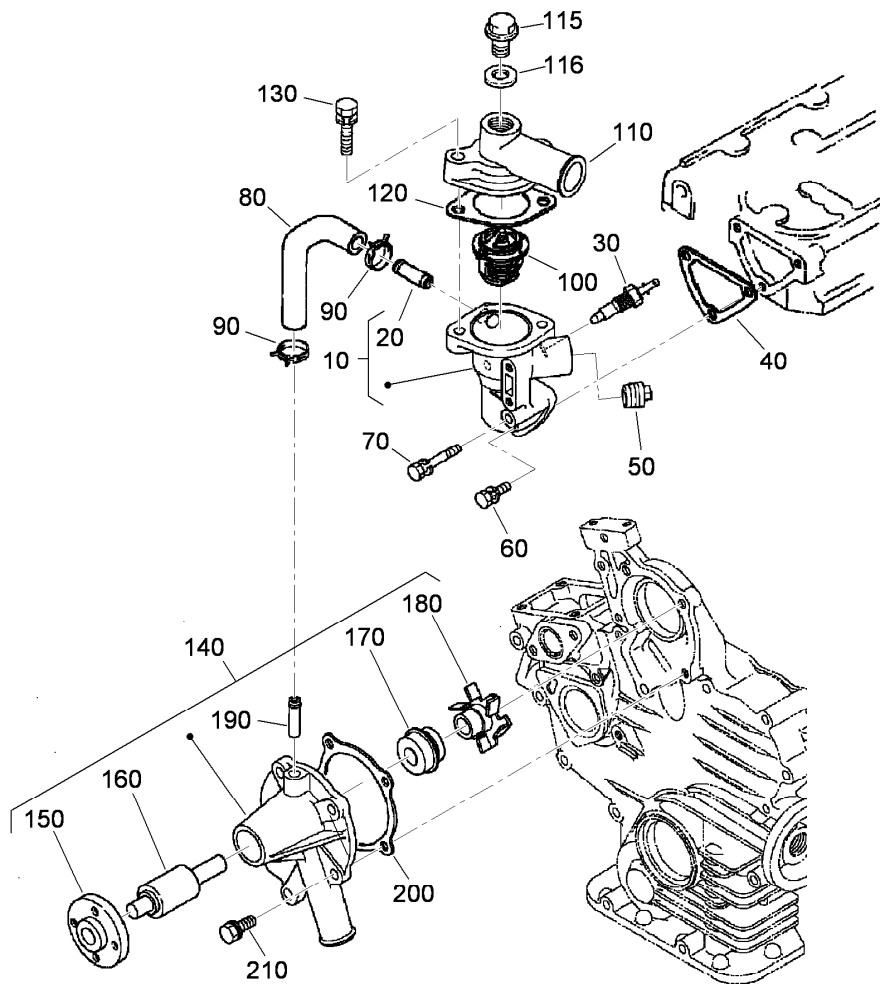
Starter Components Assembly

Ref.	Part Number	Qty.	Description	Ref.	Part Number	Qty.	Description
10	100-2179	1	Starter ASM	140	100-2218	1	Lever
20	100-2181	1	Starter Yoke ASM	150	100-2211	1	Magnetic Switch ASM
30	100-2222	1	Holder ASM	160	100-2219	1	Ring-Snap
40	100-2182	1	Armature ASM	170	100-2212	1	Ring-Snap
45	117-1704	1	Bearing, Ball	180	100-2216	1	Collar
47	117-1705	1	Bearing, Ball	190	100-2224	1	Washer-Plain
50	100-2185	1	Starter Clutch ASM	200	100-2225	1	Washer-Plain
55	112-2833	1	Gear-Pinion	210	100-2226	1	Washer-Plain
60	100-2180	1	Starter Housing ASM	220	100-2227	1	Plate
70	100-2183	1	Bearing	230	99-8371	1	Nut-Hex
80	100-2186	1	Frame ASM	240	100-1813	2	Nut
90	100-2213	1	Cover	250	100-2210	2	Bolt-Through
100	100-2223	1	Bearing ASM	260	100-2215	1	Washer-Spring
110	100-2187	1	Starter Shaft ASM	270	100-2171	1	Nut-Hex
120	100-2220	3	Gear	280	100-2188	2	Screw
130	100-2221	1	Gear	290	99-1434	1	Wire-Lead
135	98-7750	4	Spring-Brush				



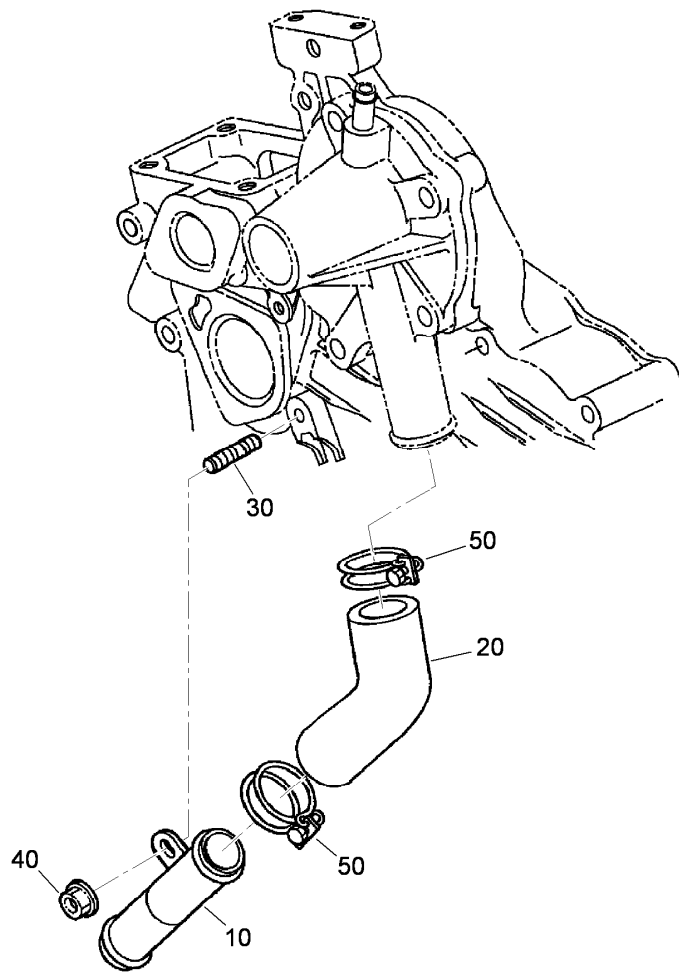
Oil Switch and Thermometer Assembly

<i>Ref.</i>	<i>Part Number</i>	<i>Qty.</i>	<i>Description</i>
10	98-7764	1	Switch-Oil
20	99-3582	1	Thermoswitch



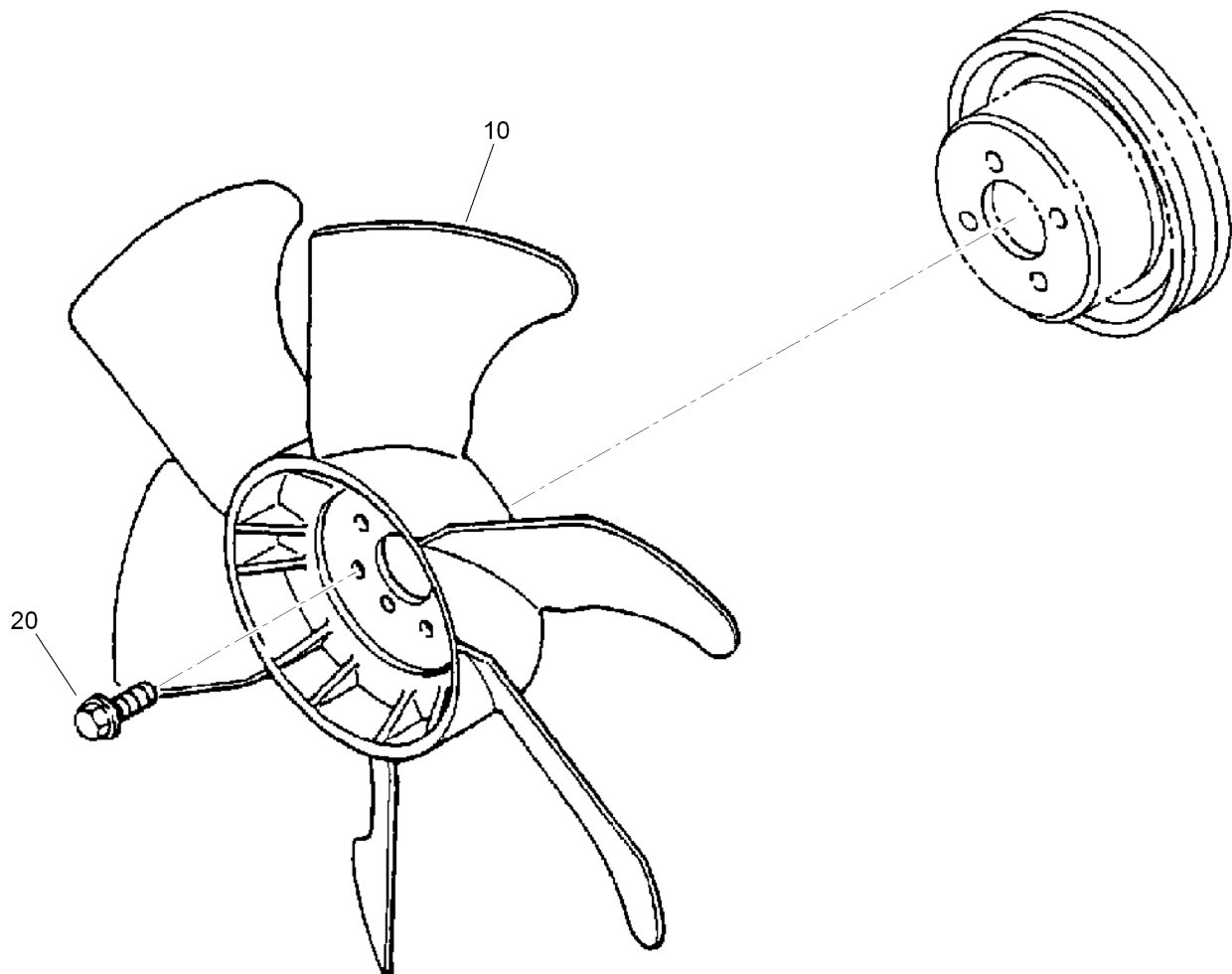
Water Flange, Thermostat and Water Pump Assembly

<i>Ref.</i>	<i>Part Number</i>	<i>Qty.</i>	<i>Description</i>
10	110-3819	1	Water Flange ASM
20	98-9580	1	Pipe-Return, Water
30	99-3582	1	Thermoswitch
40	110-3820	1	Gasket-Flange, Water
50	110-3821	1	Plug
60	98-7692	2	Bolt
70	105-3797	1	Bolt
80	110-3822	1	Pipe-Return, Water
90	98-9579	2	Band-Pipe
100	98-7778	1	Thermostat ASM
110	112-2512	1	Cover-Thermostat
115	105-3747	1	Plug
116	99-3583	1	Gasket
120	105-3748	1	Gasket-Thermostat
130	98-7777	2	Bolt
140	110-3824	1	Water Pump ASM
150	100-1933	1	Flange-Pump, Water
160	100-1934	1	Bearing-Ball
170	99-3518	1	Water Pump Seal ASM
180	110-3825	1	Impeller-Pump, Water
190	100-1932	1	Pipe-Return, Water
200	117-0330	1	Gasket-Pump, Water
210	100-1750	4	Bolt



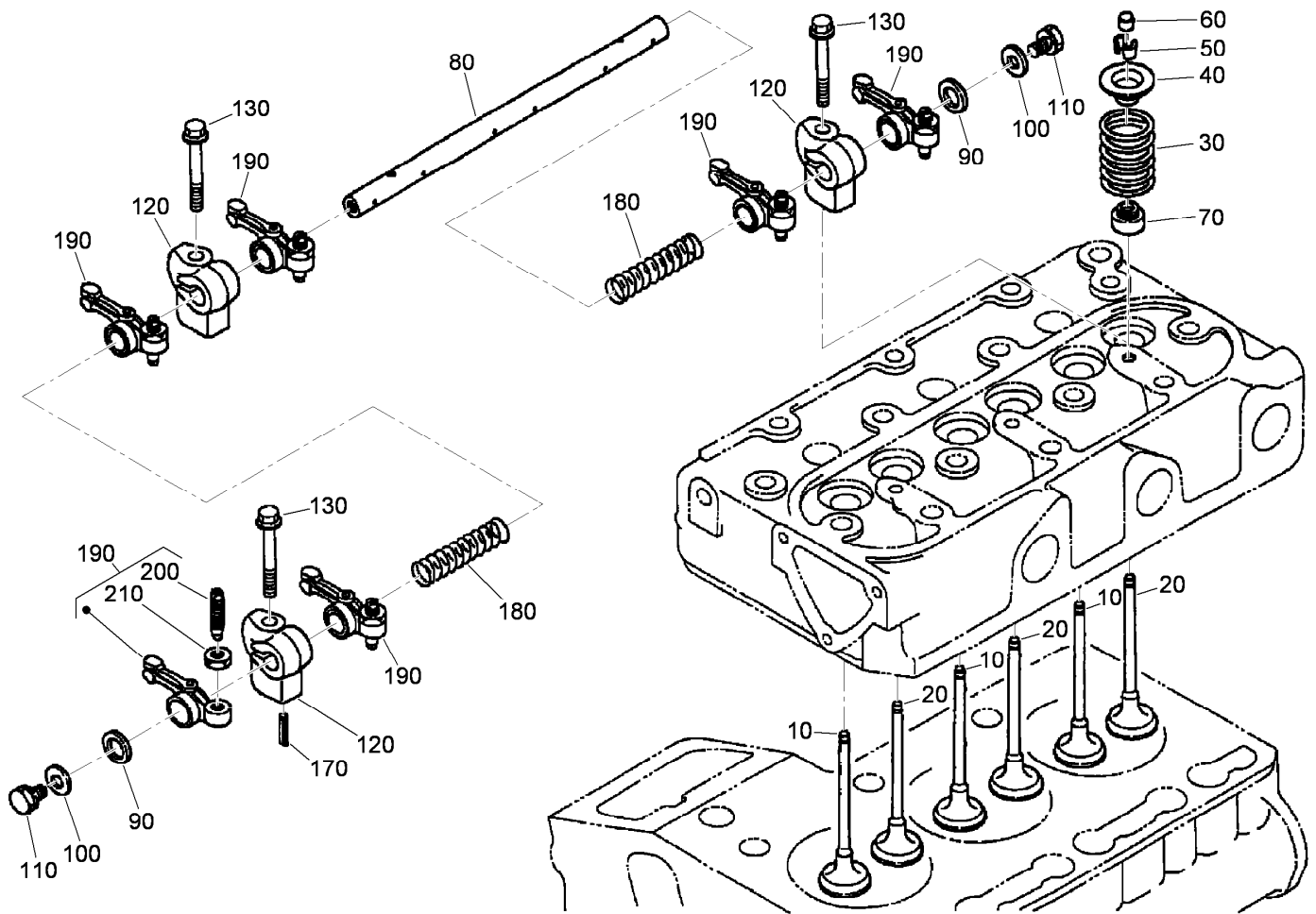
Water Pipe Assembly

<i>Ref.</i>	<i>Part Number</i>	<i>Qty.</i>	<i>Description</i>
10	100-1918	1	Pipe-Water
20	110-3827	1	Pipe-Water
30	100-1924	1	Stud
40	100-2203	1	Nut-Flange
50	110-3828	2	Band-Pipe



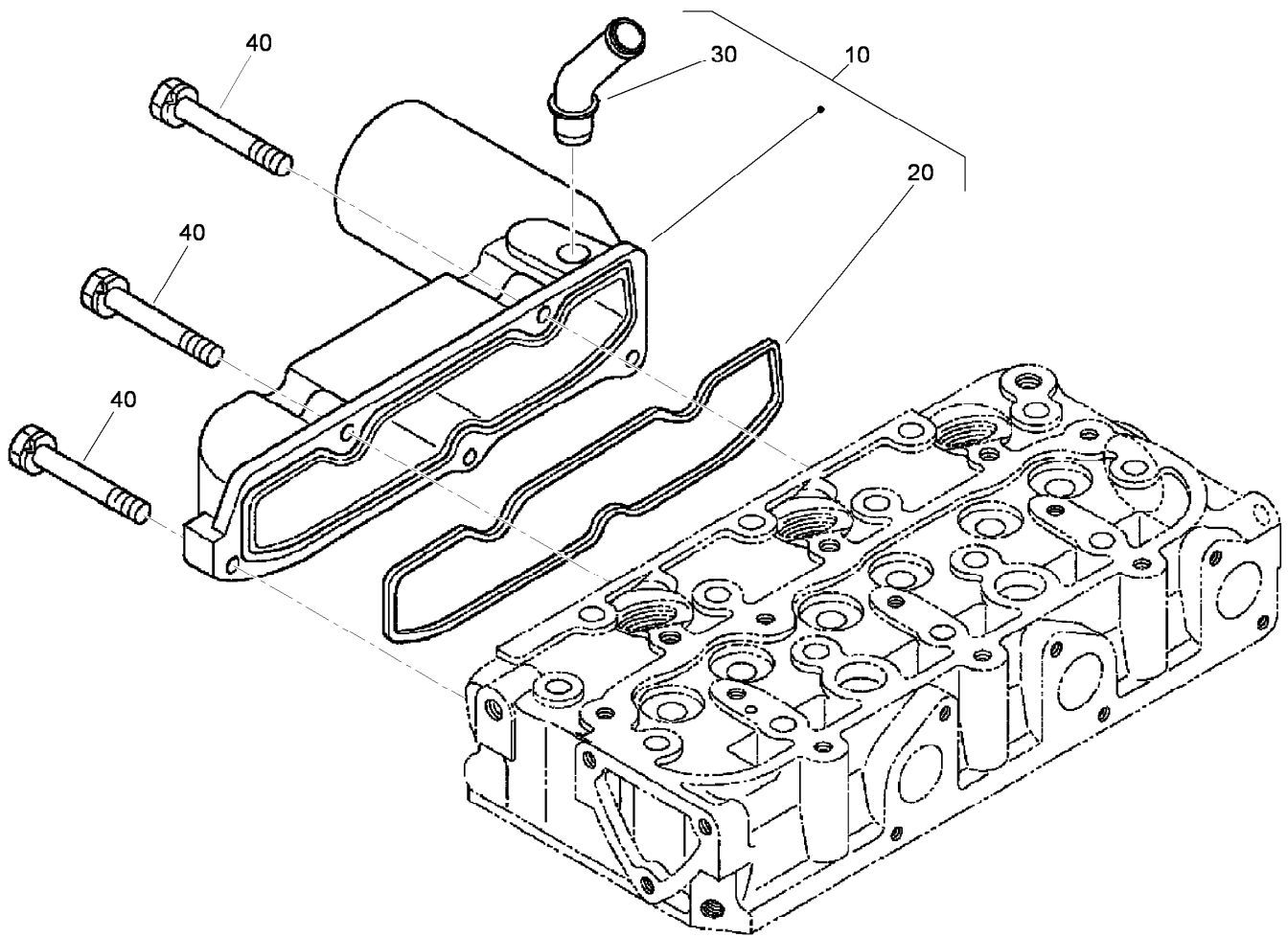
Fan Assembly

<i>Ref.</i>	<i>Part Number</i>	<i>Qty.</i>	<i>Description</i>
10	112-2513	1	Fan
20	99-8363	1	Bolt-Flange



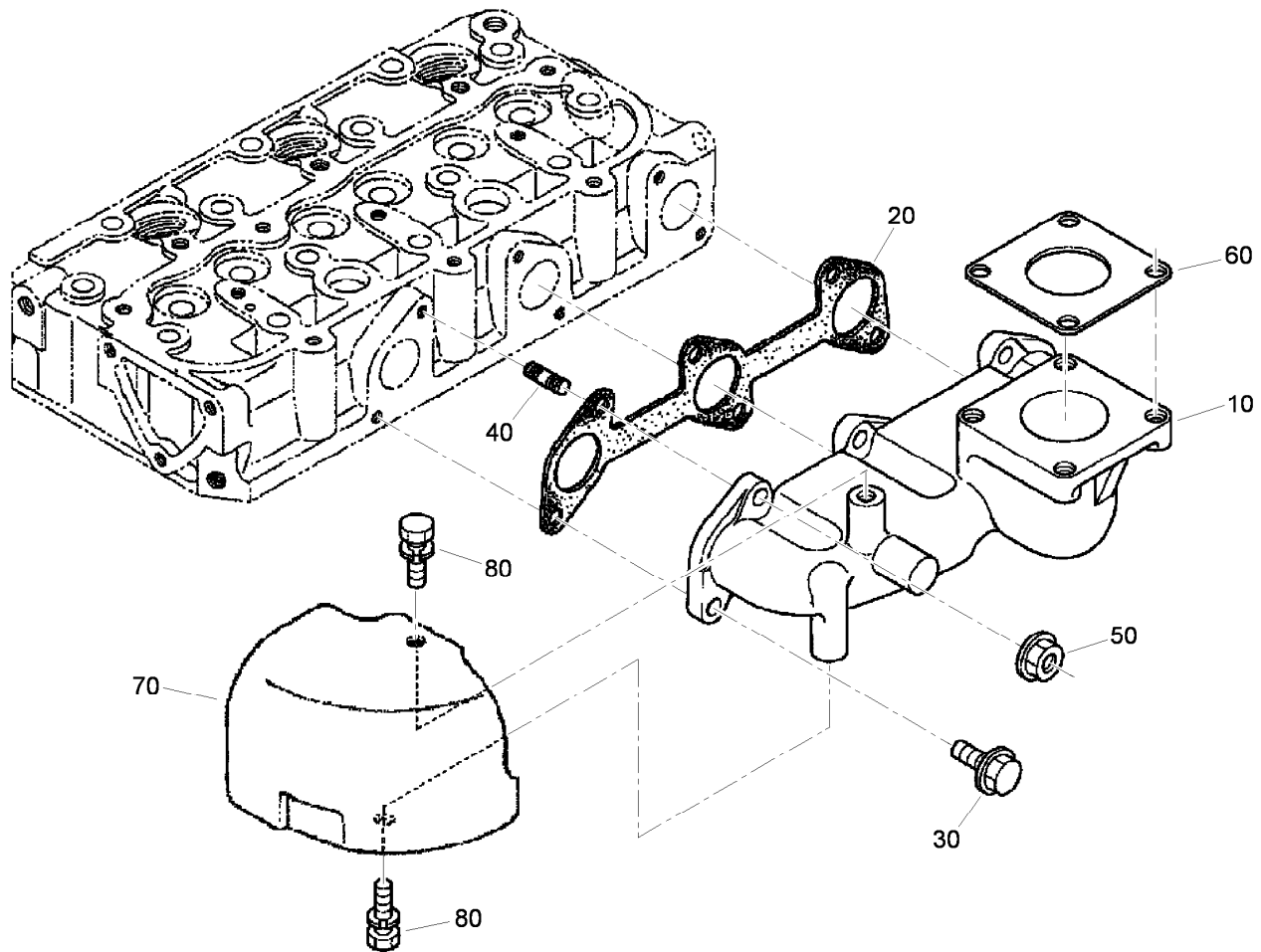
Valve and Rocker Arm Assembly

Ref.	Part Number	Qty.	Description
10	112-2514	3	Valve-Inlet
20	112-2515	3	Valve-Exhaust
30	100-1823	6	Spring-Valve
40	100-1825	6	Retainer-Spring, Valve
50	100-1826	6	Collet-Spring, Valve
60	100-2155	6	Cap-Valve
70	100-1797	6	Seal-Stem, Valve
80	112-8341	1	Shaft-Arm, Rocker
90	100-2044	2	Washer
100	110-3832	2	Washer-Plain
110	100-1762	2	Bolt
120	110-3833	3	Bracket-Arm, Rocker
130	110-3834	3	Bolt-Flange
170	98-7602	1	Pin-Spring
180	112-8342	2	Spring
190	100-1884	6	Rocker Arm ASM
200	100-1885	6	Screw-Adjusting
210	100-1827	6	Nut



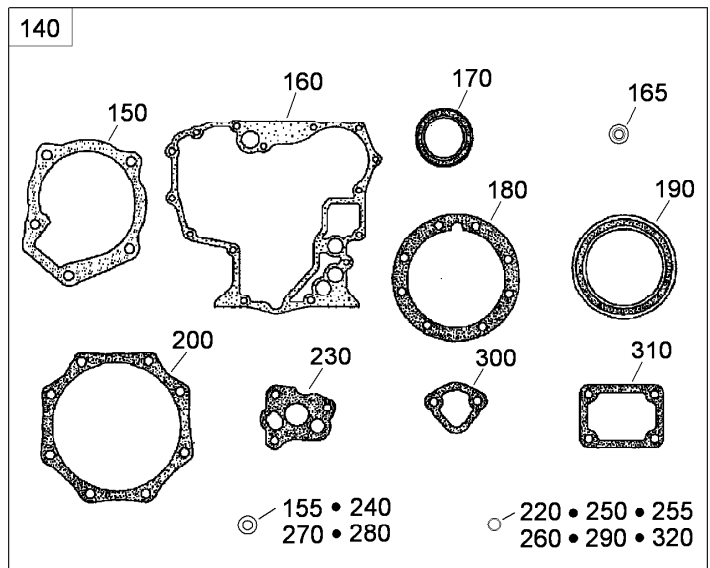
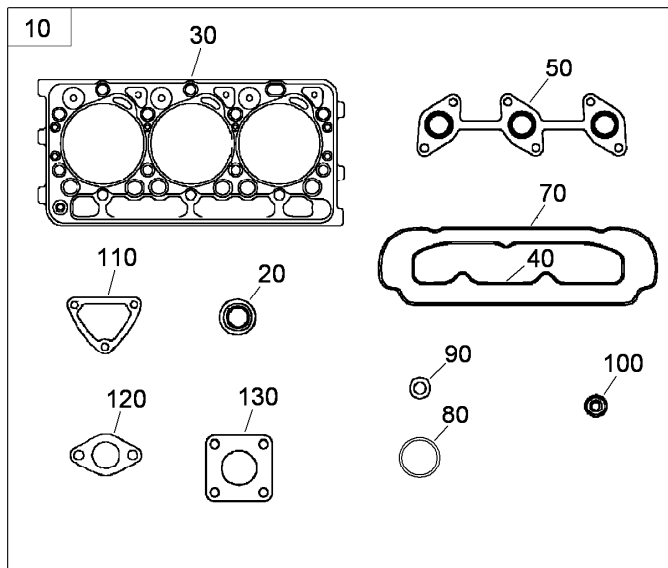
Inlet Manifold Assembly

<i>Ref.</i>	<i>Part Number</i>	<i>Qty.</i>	<i>Description</i>
10	110-3836	1	Inlet Manifold ASM
20	110-3838	1	Gasket-Manifold, Intake
30	110-3837	1	Pipe-Breather
40	98-9352	5	Bolt



Exhaust Manifold Assembly

<i>Ref.</i>	<i>Part Number</i>	<i>Qty.</i>	<i>Description</i>
10	112-2516	1	Manifold-Exhaust
20	110-3840	1	Gasket-Manifold, Exhaust
30	100-1775	3	Bolt
40	100-2202	3	Stud
50	100-1778	3	Nut
60	99-8343	1	Gasket-Muffler
70	112-2517	1	Cover-Heat
80	100-1762	2	Bolt



Engine Gasket Kits

Ref.	Part Number	Qty.	Description
10	112-2518	1	Upper Gasket Kit
20	100-1797	6	Seal-Stem, Valve
30	112-2520	1	Gasket-Head, Cylinder
40	110-3838	1	Gasket-Manifold, Intake
50	110-3840	1	Gasket-Manifold, Exhaust
70	112-2521	1	Gasket-Cover, Head
80	99-3446	1	O-Ring
90	98-7676	3	Gasket
100	98-7677	3	Seal-Heat
110	110-3820	1	Gasket-Flange, Water
120	105-3748	1	Gasket-Thermostat
130	99-8343	1	Gasket-Muffler
140	117-1706	1	Lower Gasket Kit
150	117-0330	1	Gasket-Pump, Water
155	98-7524	1	Gasket
160	117-0327	1	Gasket-Case, Gear
165	112-8325	1	Washer

Ref.	Part Number	Qty.	Description
170	100-1971	1	Seal-Oil
180	112-2812	1	Gasket-Case, Bearing
190	110-3724	1	Seal-Oil
200	100-1876	1	Gasket-Cover, Case
220	100-2209	1	O-Ring
230	100-2003	1	Gasket-Pump, Oil
240	98-7654	1	Gasket
250	100-2208	1	O-Ring
255	98-9722	1	O-Ring
260	100-2207	1	O-Ring
270	98-7654	2	Gasket
280	110-9715	1	Gasket-Pan, Oil
290	105-3776	1	O-Ring
300	98-9636	1	Gasket-Pump, Fuel
310	100-1962	1	Gasket-Plate, Control
320	110-3762	1	O-Ring

Attachments and Accessories

For 22324 TX 525 Wide Track Compact Utility Loader

Product Name	Model/Part
Light Kit.....	100-8840
Road Wheel Kit.....	106-7620
Reference Guide Kit	107-9310
Track-Aggressive Tread, Wide	108-9749
Alignment Tool	110-0069
4 Cubic Foot Standard Bucket	22409
Loose Materials Bucket	22410
48in Hydraulic Blade.....	22414
Rotary Broom	22415
Bore Drive Head	22420
Rod and Reamer	22421
Multi-Purpose Tool.....	22423
Power Box Rake	22425
Stump Grinder	22429
Tree Forks	22438
Cement Bowl	22442
40in Tiller	22445
Snowthrower.....	22456
6-Inch x 3-Foot Rock Chain Kit	22463
Crumber Kit	22464
6-Inch x 3-Foot Trencher Chain Kit	22467
Trencher Head.....	22470
High-Speed Trencher Head	22471
Trench Filler.....	22472
TX Platform.....	22476
Narrow Bucket.....	22520
Grapple Rake	22521
Auger Head	22805
Universal Swivel Auger Head	22806
6in Auger Bit	22810
9in Auger Bit	22811
12in Auger Bit	22812
15in Auger Bit	22813
18in Auger Bit	22814
24in Auger Bit	22815
30in Auger Bit	22816
12in Auger Bit Extension	22818
24in Auger Bit Extension	22819
Vibratory Plow	22911
Soil Cultivator	23101
Concrete Breaker	23135
Backhoe Fitup Kit.....	23162
Backhoe.....	23163
Adjustable Forks.....	23164
Leveler.....	23165
Spark Arrestor Screen	75-6880

Notes:



Count on it.