



Z257

Z–Master[®] with 62in SFS Side Discharge Mower

Model No. 74231—23000001 and Up

Parts Catalog

Ordering Replacement Parts

To order replacement parts, please supply: the part number, the quantity, and the description of each part desired.

Understanding Reference Numbers

Each identified part in an illustration has a reference number. The reference number for a part also appears in the parts list, along with other information about the part.

This catalog uses two special reference number formats, one to indicate parts in a service assembly and another to indicate the quantity of a given part in an illustration.

Service Assembly Reference Numbers

Parts in service assemblies have reference numbers in the form **a:b**. The **a** represents the reference number of the entire service assembly and the **b** represents a sequential number unique to each part within the service assembly.

For example, a wheel assembly might be identified by reference number **6**, the tire by **6:1**, the valve by **6:2**, and the wheel by **6:3**. When you order the assembly identified by reference number **6**, you receive all parts identified by reference numbers **6:1**, **6:2**, and **6:3**. However, you may also order any part individually.

Reference numbers of this type appear in illustrations and in part lists.

Reference Numbers Indicating Quantity

In an illustration, if a reference number indicates more than one part, the reference number has the form **nX y**. The **n** represents the quantity of the part, the **X** is the multiplication symbol, and the **y** represents the reference number.

For example, in an illustration, the reference number **2X 37** means that two of the parts identified by reference number **37** are indicated.

Contents

Description	Page	Description	Page
Front Frame Assembly	3	Stand Assembly	13
Caster and Wheel Assembly	4	Clutch Assembly	14
Rear Frame and Wheel Assembly	5	Shield Assembly	15
Brake and Wheel Hub Assembly	6	Fuel System Assembly	16
Steering Control Assembly	7	Electrical System Assembly	17
Hydraulic System Assembly	8	Deck, Deflector and Roller Assembly	18
Seat Assembly	10	Spindle and Pulley Assembly	19
Frame and Deck Assembly	11	Belt and Idler Arm Assembly	20
Idler Assembly	12	Electrical Schematic	21

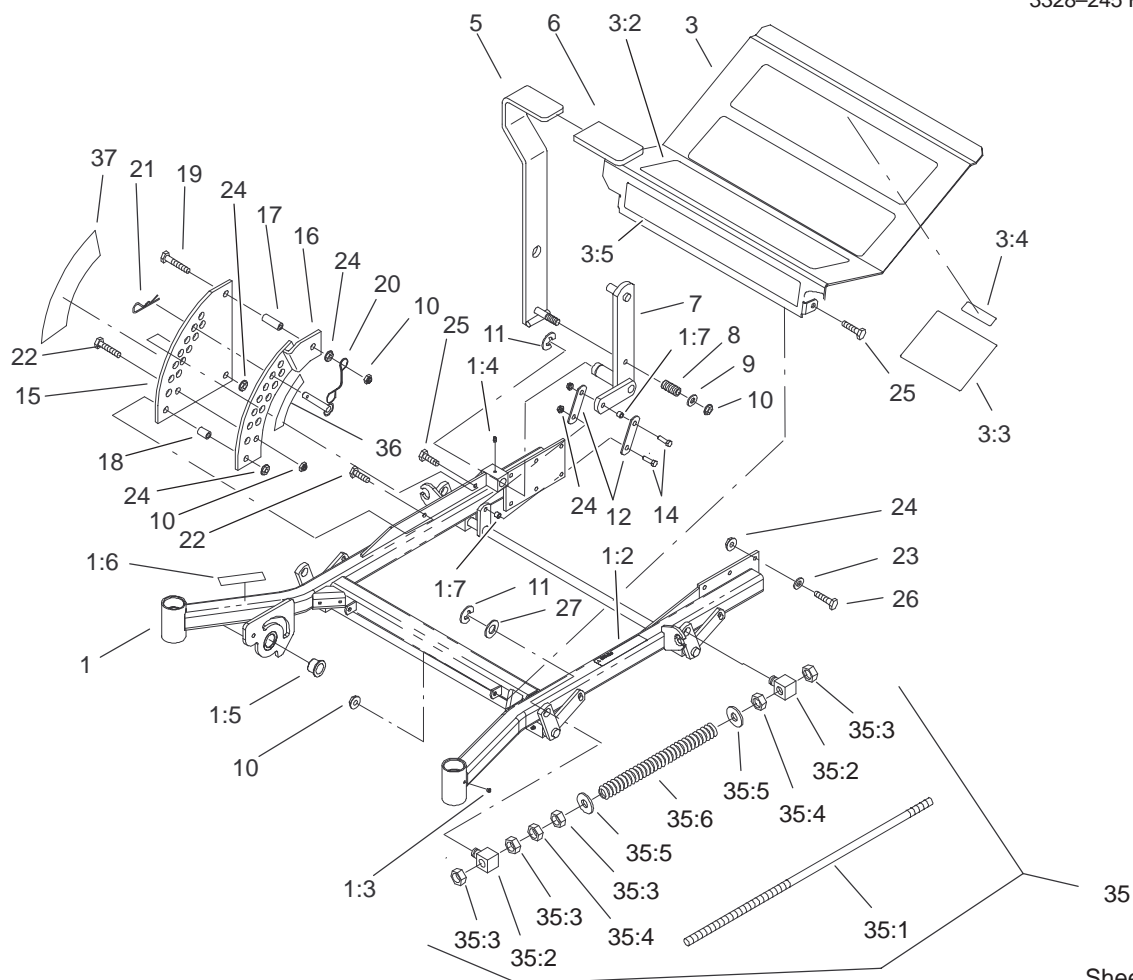
Accessories

Description	Model / Part No.	Description	Model / Part No.
Suspension Seat Kit	99–8522	Z Recycler Kit	100–9678
Striping Kit	30163	Spark Arrester Kit	105–1672
Hitch Kit	99–8925	Filter Minder	99–4664
Atomic Blade Assembly	104–1304		

Part Description Abbreviations

Part descriptions in this catalog may include the following abbreviations.

Abbreviation	Meaning	Abbreviation	Meaning
AR	as required	HWHTF	hex washer head thread forming
ASM	assembly	INC	incorporated
CARR	carriage	LH	left hand
DEG	degrees	NI	nylon insert
FH	flat head	PPH	Phillips pan head
GA	gauge	PTH	Phillips truss head
HF	hex flange	PTO	power take off
HH	hex head	RH	right hand
HHF	hex head flange	SFH	slotted fillister head
HLH	hex lag head	SHH	slotted hex head
HJ	hex jam	SQH	square head
HOC	height-of-cut	SHWH	slotted hex washer head
HS	hex socket	SPH	slotted pan head
HSBH	hex socket button head	SRH	slotted round head
HSFH	hex socket flat head	STD	standard
HSH	hex socket head	TAP	self tapping
HWH	hex washer head	TTH	Torx truss head

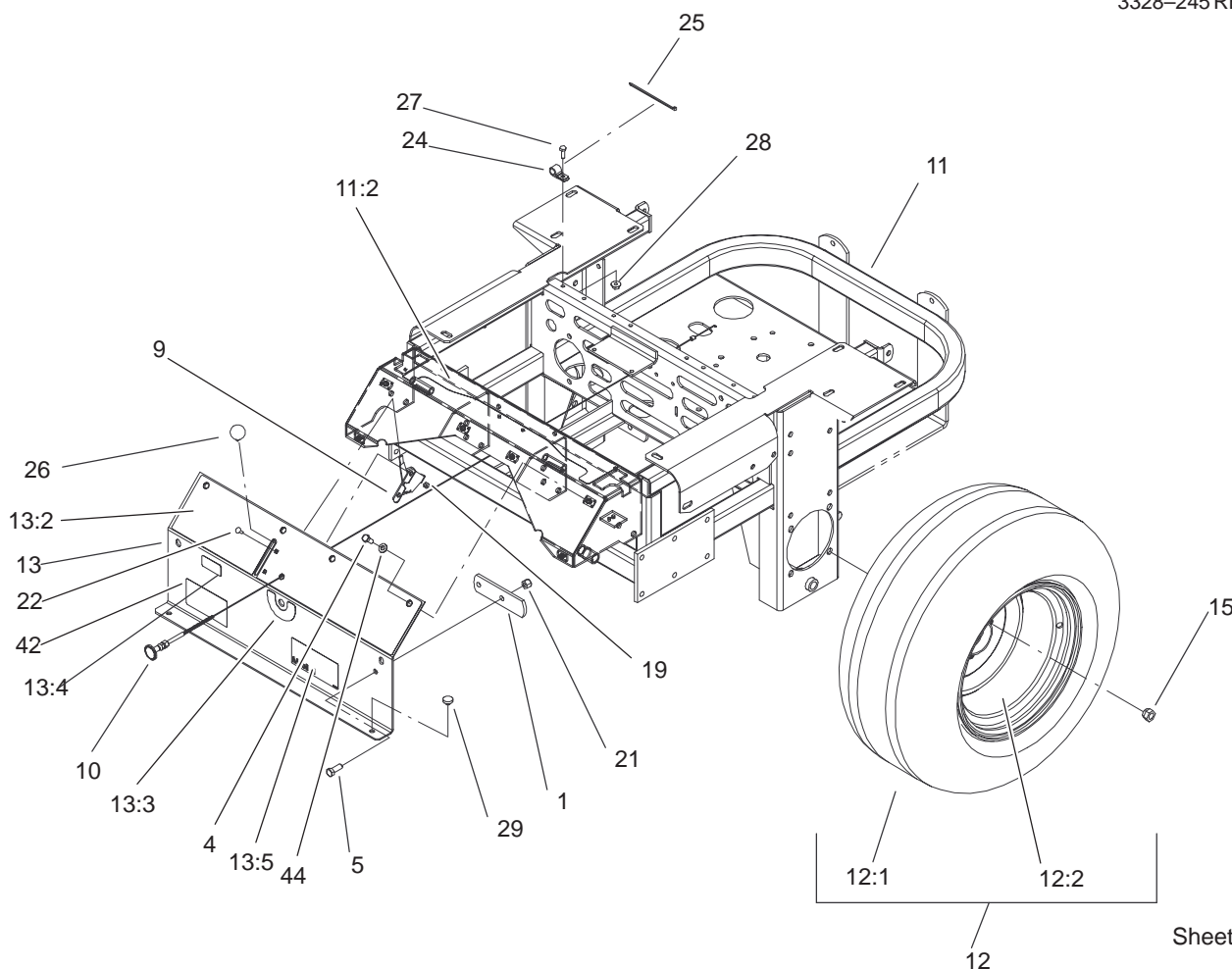


Sheet No.:2

Front Frame Assembly

Ref. No.	Part No.	Qty.	Description	Ref. No.	Part No.	Qty.	Description
1	104-5132	1	Frame ASM	20	1-633097	1	Pin-Hitch W/Lanyard
1:2	1-633818	1	Decal-Warning	21	1-806005	1	Pin-Hair
1:3	1-811010	2	Plug	22	323-9	2	Screw-HH
1:4	302-19	5	Fitting-Grease	23	98-5975	12	Washer-Belleville
1:5	94-1291	2	Bushing-Special	24	3290-357	17	Nut-HHF
1:6	104-7759	1	Decal-Warning	25	323-6	3	Screw-HH
1:7	103-1918	1	Bushing	26	323-7	12	Screw-HH
3	100-6509	1	Floorpan ASM	27	3256-29	4	Washer-Flat
3:2	1-633553	3	Pad-Antiskid	☆35		2	Front Frame Spring ASM
3:3	1-633766	1	Decal-Check	35:1	1-633096	1	Rod-Lift, Deck
3:4	98-5954	1	Decal-Missing, Cover	35:2	1-633441	2	Swivel-Deck Mount, Rear
3:5	1-633737	1	Decal-Z Master	35:3	3217-11	4	Nut-Hex
5	103-2083-03	1	Lever-Lift	35:4	3218-6	2	Nut-Jam
6	1-633295	1	Grip-Lever, Lift	35:5	3256-7	2	Washer-Flat
7	103-2064-03	1	Arm-Lift, Deck	35:6	1-633064	1	Spring-Support, Deck
8	1-633325	1	Spring-Compression	36	1-633706	1	Decal-Height, Deck
9	3256-24	1	Washer-Flat	37	1-633345	1	Decal-Height, Deck
10	3296-39	5	Nut-Lock, NI				
11	32151-103	5	Ring-Snap				
12	1-633068	2	Arm-Lift, Deck				
14	323-29	2	Screw-HH				
15	1-633889-01	1	Plate-Lift, Deck				
16	1-632899-01	1	Plate-Lift, Deck				
17	1-633082	1	Bushing-Lever, Lift				
18	1-633080	1	Bushing-Lever, Lift				
19	323-13	1	Screw-HH				

☆ Not serviced separately

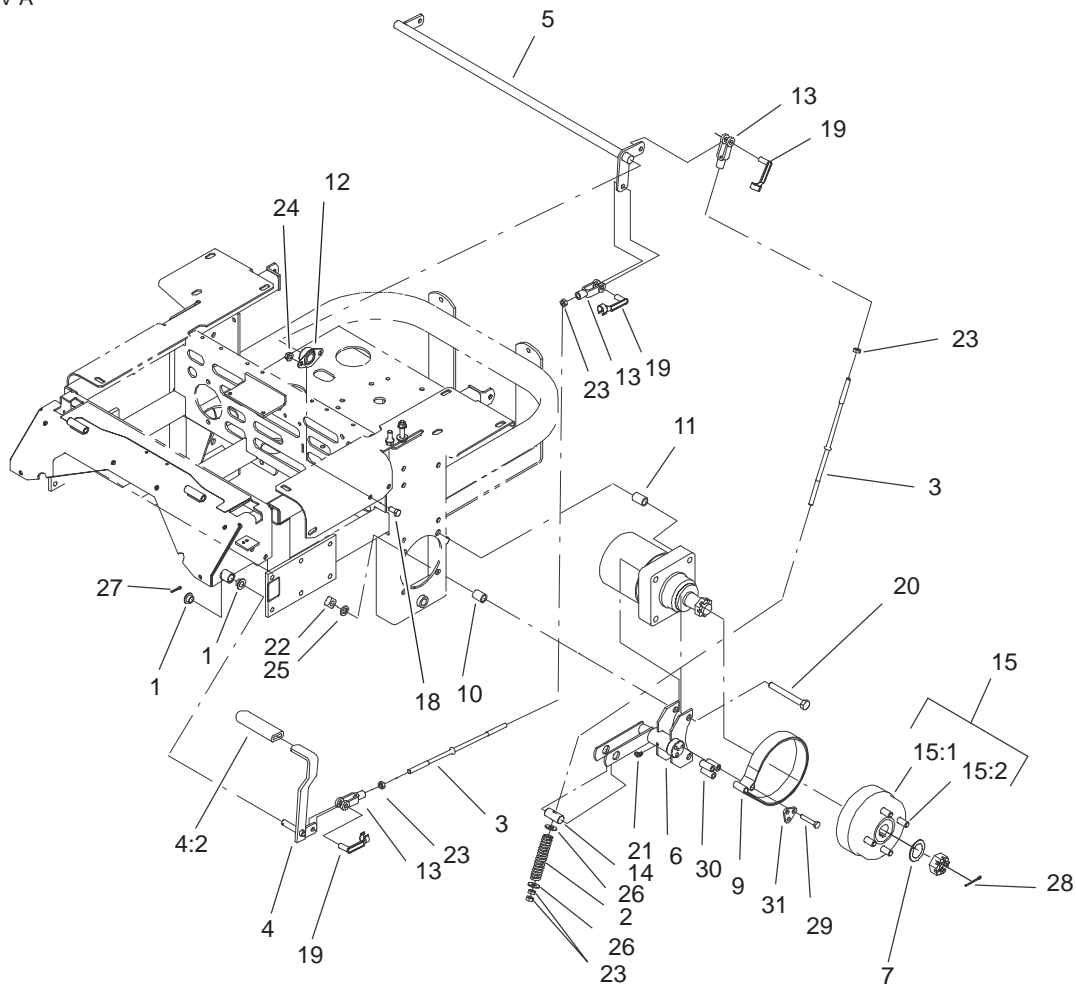


Sheet No.:4

Rear Frame and Wheel Assembly

Ref. No.	Part No.	Qty.	Description
1	1-633964-03	1	Stop-Brake, Park
4	322-3	6	Screw-HH
5	323-6	2	Screw-HH
9	1-633696	1	Cable-Throttle
10	1-603336	1	Control-Choke
11	105-3648	1	Main Frame ASM
11:2	103-2433	1	Decal-Console, Top
12	1-633970	2	Wheel And Tire ASM
12:1	1-633993	1	Tire
12:2	1-633992	1	Wheel
13	99-4623	1	Console ASM
13:2	100-4311	1	Decal-Panel, Control
13:3	103-0262	1	Decal-Valve, Fuel
13:4	98-4387	1	Decal-Protection, Ear
13:5	104-8172	1	Decal-Mobil 1
15	242-50	8	Nut-Lug
19	3296-2	2	Nut-Lock
21	3296-39	2	Nut-Lock, NI
22	1-807513	2	Bolt-CARR
24	1-513762	1	Clip-Loom
25	1-303335	1	Tie-Plastic
26	1-513592	1	Knob-Ball
27	321-4	1	Screw-HH
28	32128-33	1	Nut-HF
29	1-513658	2	Bumper-Catcher, Grass

Ref. No.	Part No.	Qty.	Description
42	106-6561	1	Decal-Z257
44	3256-23	6	Washer-Flat

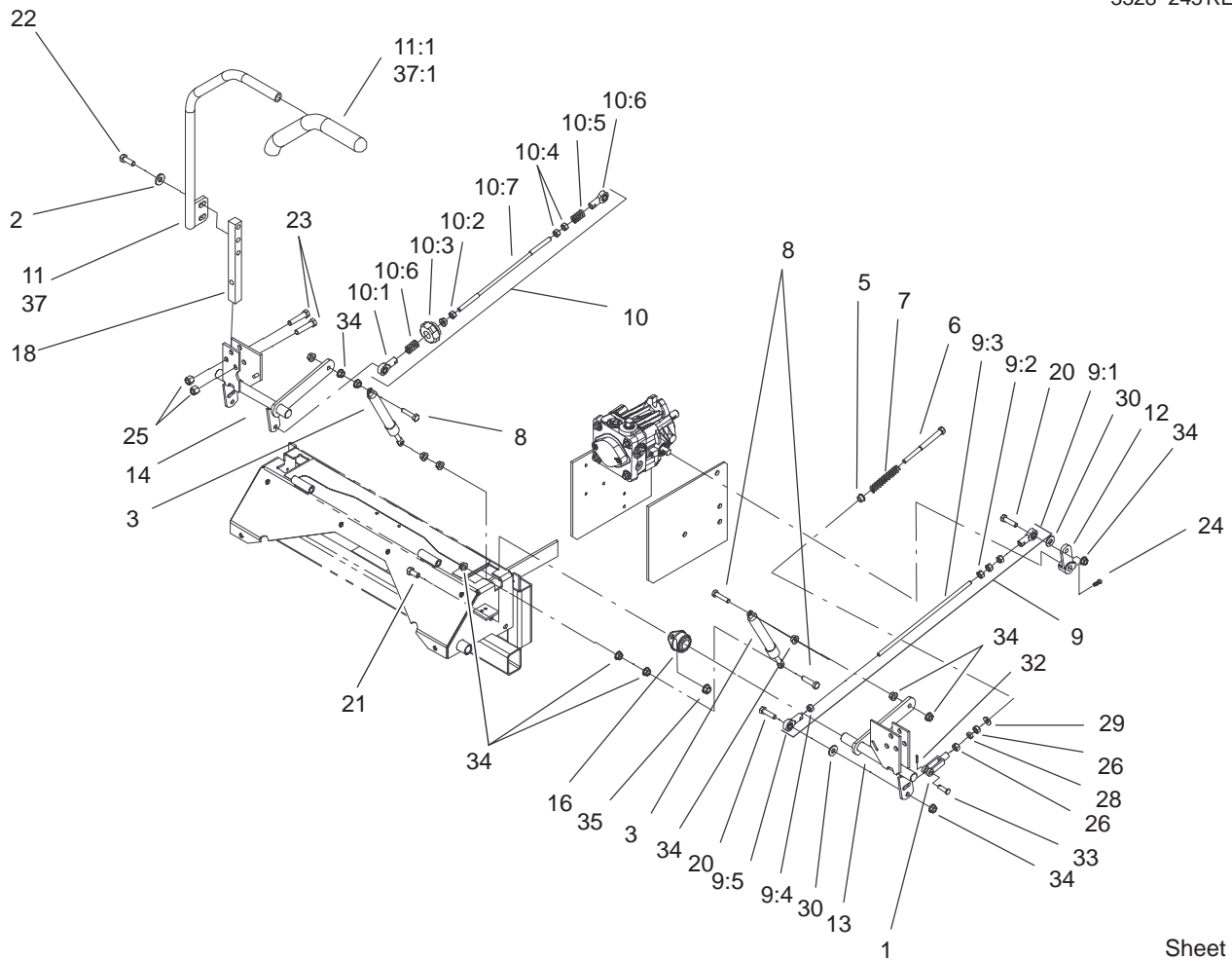


Sheet No.:5

Brake and Wheel Hub Assembly

Ref. No.	Part No.	Qty.	Description
1	1-513140	2	Bearing-Control
2	1-633454	2	Spring-Brake
3	1-633477	3	Rod-Brake
4	1-634500	1	Brake Lever ASM
4:2	1-633268	1	Grip-Lever, Brake
5	1-632217-03	1	Shaft-Brake
6	103-0352-03	2	Bracket-Brake
7	1-523157	2	Washer-Spacer
9	103-0355	2	Band-Brake
10	1-633380	4	Spacer-Wheel, Short
11	1-633382	4	Spacer-Wheel, Long
12	1-633102	2	Bearing-Flange, Side
13	1-633131	4	Yoke-Linkage, Brake
14	1-633144	2	Pin-Trunion
15	103-0590	2	Hub-Wheel
15:1	103-0589	1	Hub-Wheel
15:2	1-633926	4	Stud-Wheel
18	323-4	4	Screw-HH
19	103-2399	4	Pin-Spring, Clevis
20	325-17	8	Screw-HH
21	1481	2	Fitting-Grease
22	103-0131	8	Nut-Square
23	3219-3	8	Nut-HH
24	3290-357	4	Nut-HHF
25	3253-7	8	Washer-Lock
26	3256-4	4	Washer-Flat

Ref. No.	Part No.	Qty.	Description
27	3272-10	1	Pin-Cotter
28	1-806800	2	Pin-Cotter
29	322-9	6	Screw-HH
30	103-0384	6	Spacer
31	103-0374	2	Retainer-Band, Brake

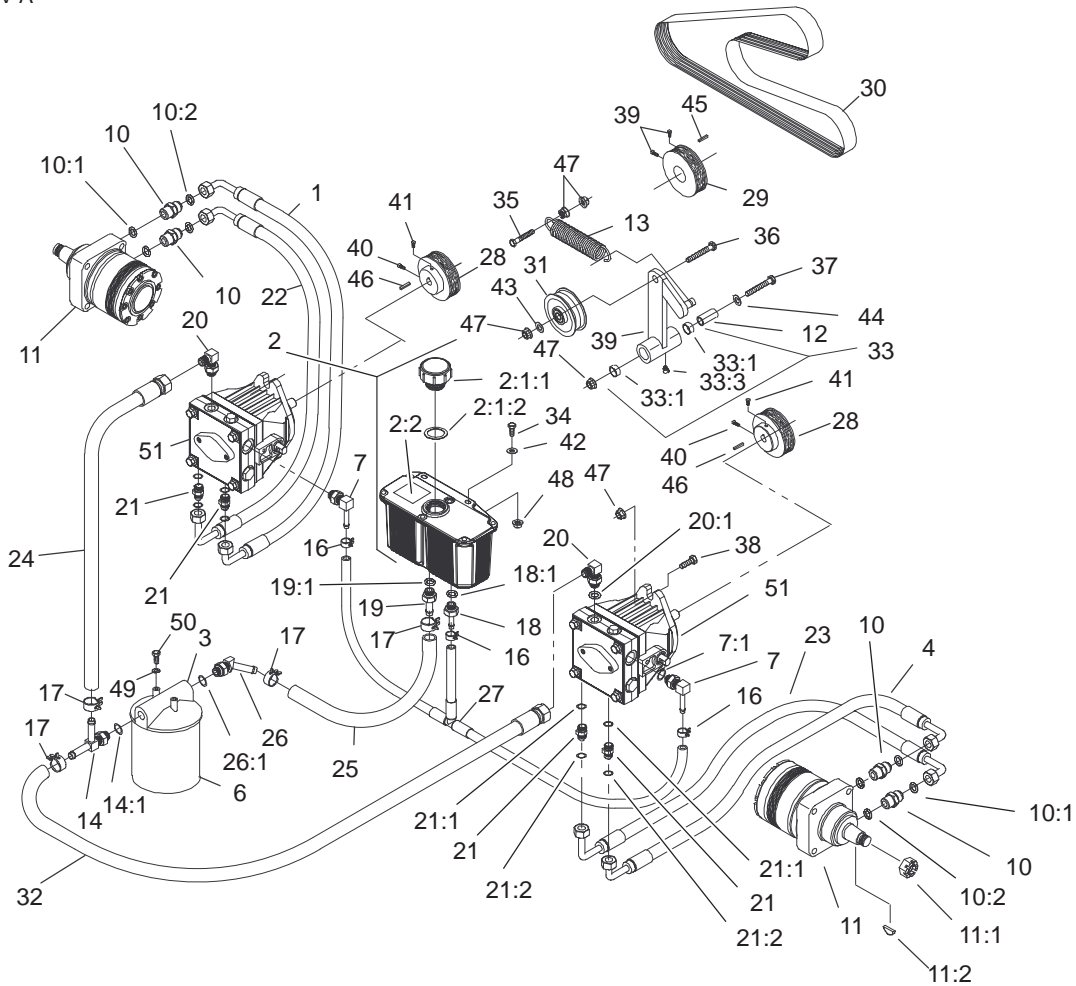


Sheet No.:6

Steering Control Assembly

Ref. No.	Part No.	Qty.	Description
1	1-303105	2	Yoke-Adjustable
2	98-5975	4	Washer-Belleville
3	103-2913	2	Damper-Control, Motion
5	1-603735	2	Bushing-Flanged
6	1-603737	2	Bolt-Return, Neutral
7	1-603807	2	Spring-Return, Neutral
8	1-403180	4	Screw-HH
9	1-634275	1	LH Pump Linkage ASM
9:1	1-543017	1	Balljoint-RH
9:2	3219-2	3	Nut-Hex
9:3	1-633153	1	Link-Rod, Tracking
9:4	1-804524	1	Nut
9:5	1-633152	1	Balljoint-Thread, LH
10	103-3061	1	Tracking Rod ASM
10:1	1-543017	1	Balljoint-RH
10:2	3219-2	1	Nut-Hex
10:3	103-3060	1	Knob-Tracking
10:4	1-804524	2	Nut
10:5	1-323245	2	Spring-Compression
10:6	1-633152	1	Balljoint-Thread, LH
10:7	103-3064	1	Link-Rod, Tracking
11	103-0632	1	RH Lever ASM
11:1	1-633257	1	Grip-Control, Motion

Ref. No.	Part No.	Qty.	Description
12	1-632208	2	Arm-Control, Pump
13	1-642319	1	Control-Motion, LH
14	1-642320	1	Control-Motion, RH
16	1-633102	4	Bearing-Flange, Side
18	103-0407	2	Arm-Shaft, Control
20	322-6	4	Screw-HH
21	323-4	8	Screw-HH
22	323-6	4	Screw-HH
23	323-9	6	Screw-HH
24	1-803022	2	Screw-Set
25	3296-39	6	Nut-Lock, NI
26	3219-2	4	Nut-Hex
28	3220-2	2	Nut
29	3256-2	2	Washer-Flat
30	3256-3	4	Washer-Flat
32	3272-5	2	Pin-Cotter
33	1-808280	2	Pin-Clevis
34	32128-20	16	Nut-HF
35	3290-357	8	Nut-HHF
37	103-0631	1	LH Lever ASM
37:1	1-633257	1	Grip-Control, Motion



Sheet No.:7

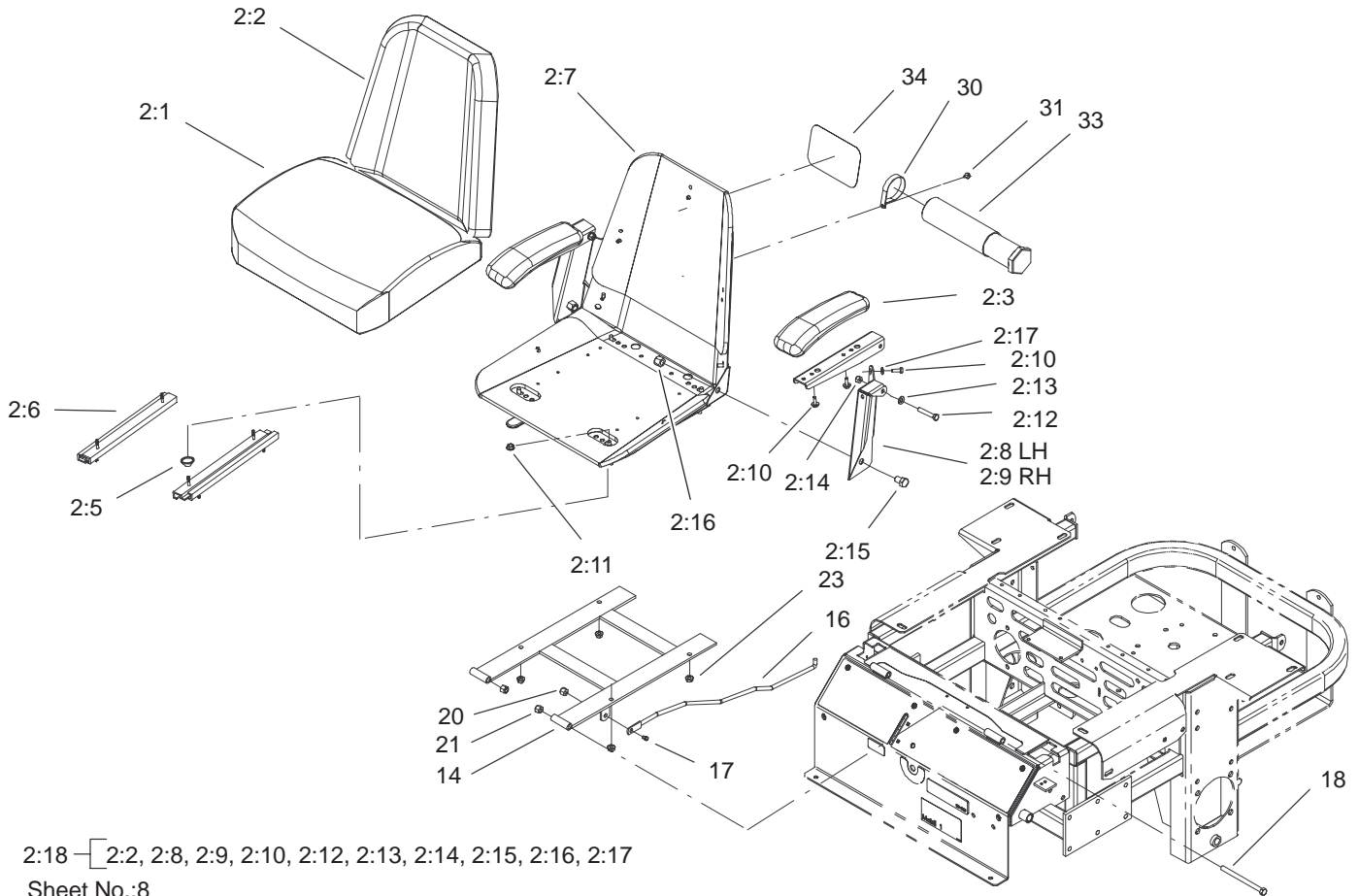
Hydraulic System Assembly

Ref. No.	Part No.	Qty.	Description
1	103-1764	1	Upper RH Hose ASM
2	103-1947	1	HYD Reservoir ASM
☆2:1		1	Reservoir-HYD
2:1:1	103-1948	1	Cap-Reservoir, HYD
2:1:2	103-1949	1	Gasket-Cap
2:2	1-523552	1	Decal-Tank, HYD
3	104-7836	1	Head-Filter
4	103-1682	1	Upper LH Hose ASM
6	1-633752	1	Filter-HYD, Winter
6	1-633750	1	Filter-HYD
7	103-1799	2	Elbow-90°
7:1	237-42	1	O-Ring
10	1-603991	4	Fitting-Straight
10:1	237-80	1	O-Ring
10:2	1-603992	1	O-Ring
11	1-523328	2	Motor-Wheel
11:1	1-809036	1	Nut-HH
11:2	3257-42	1	Key-Woodruff
*11:99	103-2748	1	Drive Link Kit
*11:99	1-000139	1	Bearing Kit
*11:99	1-000099	1	Seal Kit
12	1-603384	1	Bushing-Pivot, Idler
13	1-633151	1	Spring-Extension
14	103-1828	1	Adapter-Run, Tee
14:1	237-42	1	O-Ring
16	103-1716	3	Clamp-Hose

Ref. No.	Part No.	Qty.	Description
17	103-1988	4	Clamp-Hose
18	103-1801	1	Adapter-Straight
18:1	237-42	1	O-Ring
19	103-1912	1	Adapter-Straight
19:1	237-42	1	O-Ring
20	103-1802	2	Elbow-HYD, 90°
20:1	237-42	1	O-Ring
21	1-603990	4	Fitting-Straight
21:1	237-79	1	O-Ring
21:2	1-603992	1	O-Ring
22	103-1765	1	Lower RH Hose ASM
23	103-1683	1	Lower LH Hose ASM
24	103-1826	1	HYD Hose ASM
25	103-1808	1	Hose-HYD
26	103-1807	1	Elbow-45°
26:1	237-42	1	O-Ring
27	103-1806	1	HYD Hose ASM
28	1-633568	2	Sheave
29	1-633567	1	Sheave
30	1-633749	1	Belt-Drive, Pump
31	1-633167	1	Sheave-Idler
32	103-1827	1	HYD Hose ASM
33	1-634277	1	Bearing Arm ASM
33:1	1-513034	2	Sleeve-Bearing
33:3	302-40	1	Fitting-Grease
34	321-6	2	Screw-HH

☆ Not serviced separately

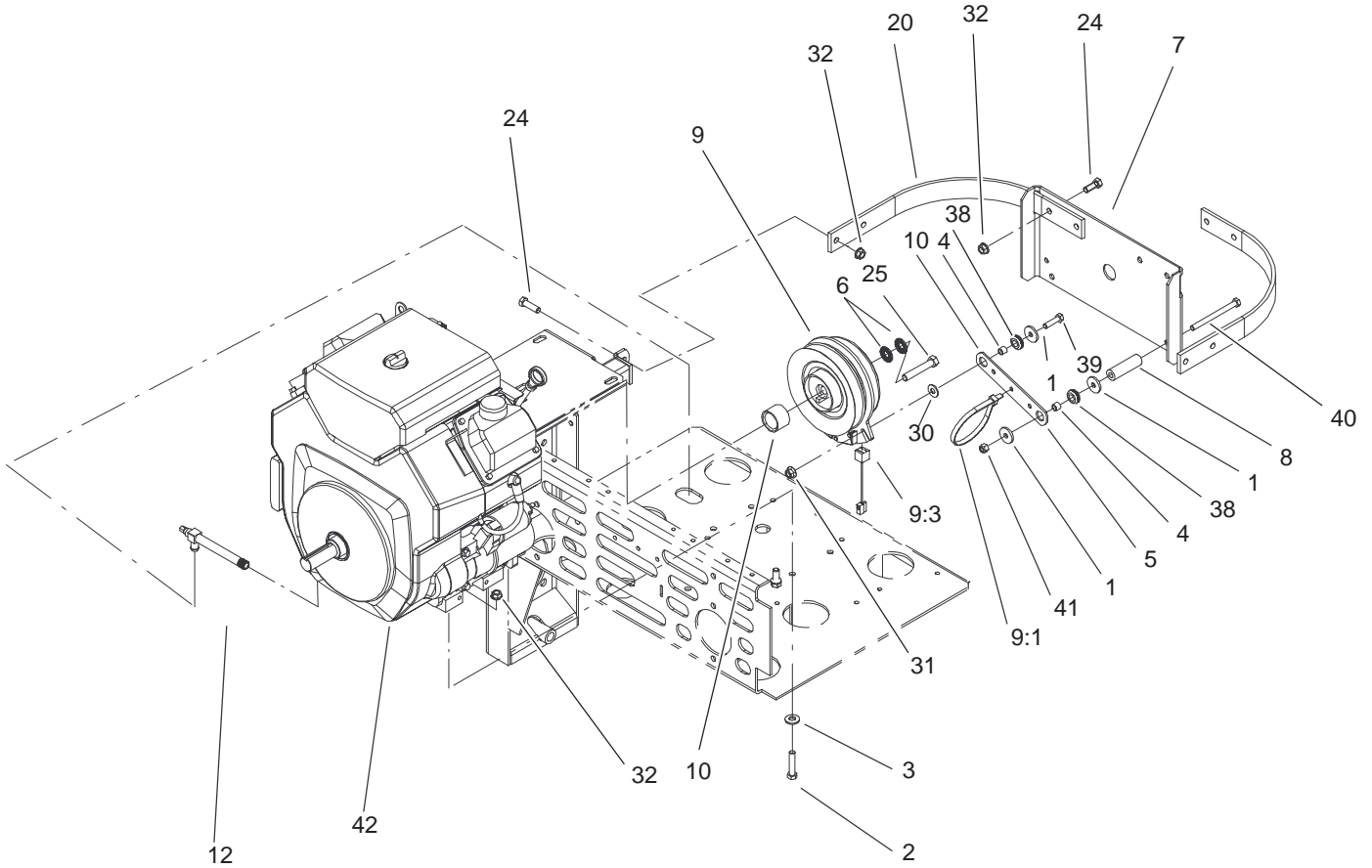
* Not illustrated



Seat Assembly

Ref. No.	Part No.	Qty.	Description
2	1-633705	1	Seat ASM
2:1	103-0290	1	Cushion-Seat, Bottom
2:2	104-7754	1	Cushion-Seat, Back
2:3	1-633710	2	Cushion-Armrest
2:5	1-543401	4	Spacer-Track
2:6	1-643255	1	Track-Seat
2:7	1-633859	1	Frame-Seat
2:8	105-3622	1	Bracket-Armrest, LH
2:9	105-3621	1	Bracket-Armrest, RH
2:10	321-4	11	Screw-HH
2:11	32128-20	4	Nut-HF
2:12	322-10	2	Screw-HH
2:13	3256-23	4	Washer-Flat
2:14	3296-29	2	Nut-Lock, NI
2:15	325-2	2	Screw-HH
2:16	3296-23	2	Nut-Lock, NI
2:17	3256-22	11	Washer-Flat
2:18	105-3620	1	Kit-Armrests W/Brackets
14	1-632187-03	1	Frame-Seat
16	1-633293	1	Rod-Holdup, Seat
17	322-5	1	Screw-HH
18	323-39	2	Screw-HH
20	3296-29	1	Nut-Lock, NI
21	3296-39	2	Nut-Lock, NI
23	32128-20	4	Nut-HF

Ref. No.	Part No.	Qty.	Description
30	2412-120	2	R-Clamp
31	32104-76	2	Screw
33	74-0720	1	Tube-Manual
34	99-4693	1	Decal-Toro



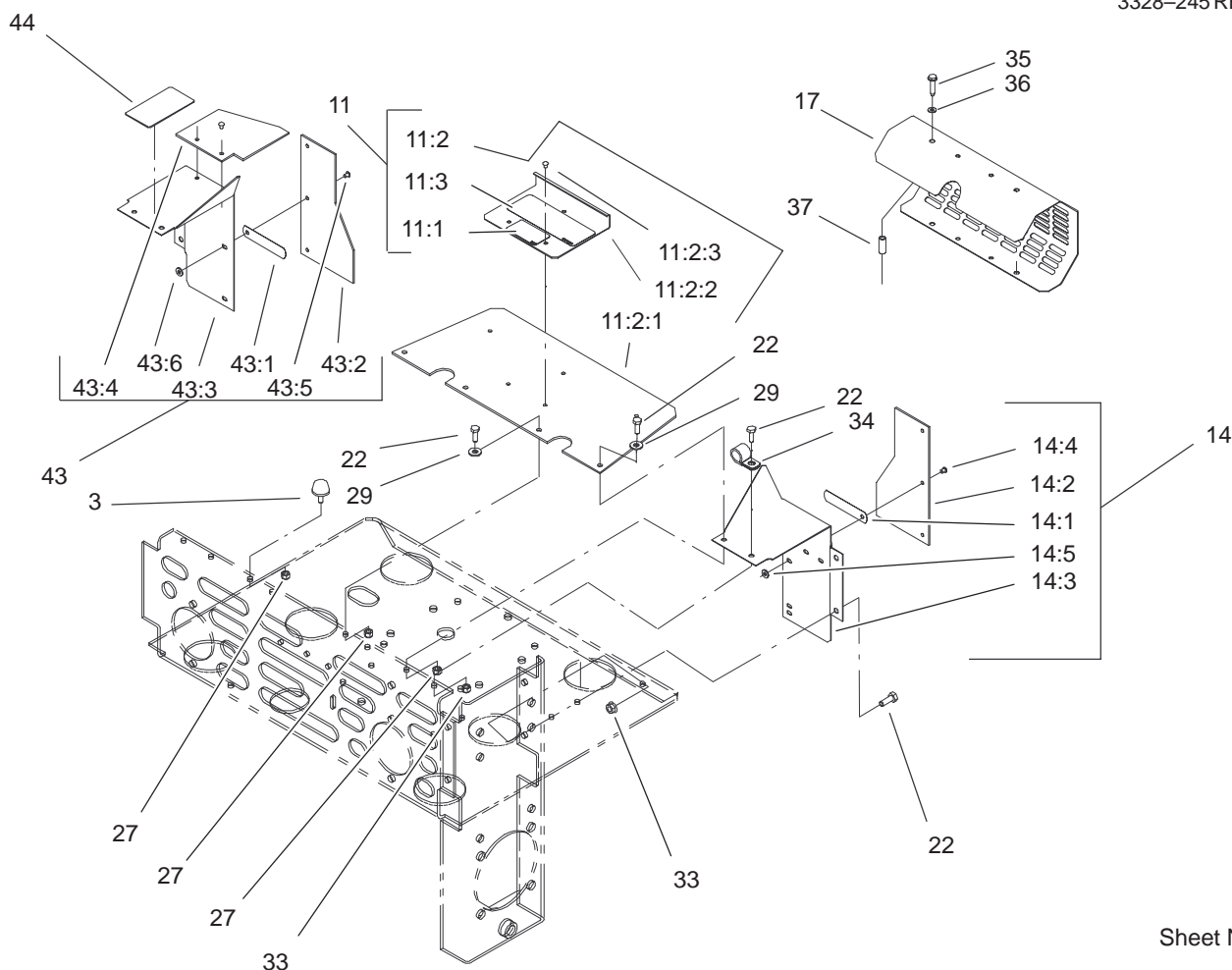
Sheet No.:12

Clutch Assembly

Ref. No.	Part No.	Qty.	Description
1	1-613235	4	Washer
2	323-9	4	Screw-HH
3	98-5975	4	Washer-Belleville
4	1-633545	2	Spacer-Grommet
5	1-633543-03	1	Strap-Clutch, Brake
6	1-603610	2	Washer-Spring
7	1-633615-03	1	Guard-Clutch
8	1-633988	1	Spacer-Anchor, Clutch
9	103-0665	1	Clutch ASM
9:1	1-303335	1	Tie-Plastic
9:3	105-1670	1	Harness-Jumper, Clutch
10	1-633179	1	Spacer-Clutch
12	103-1996	1	Valve-Oil Drain, Long
20	1-643264-03	2	Bracket-Guard, Top
24	323-6	6	Screw-HH
25	3212-10	1	Screw-HH
30	3256-3	1	Washer-Flat
31	32128-20	1	Nut-HF
32	3290-357	8	Nut-HHF
38	1-633630	2	Grommet-Brake
39	322-6	1	Screw-HH
40	322-19	1	Screw-HH
41	3296-29	1	Nut-Lock, NI

Ref. No.	Part No.	Qty.	Description
☆42		1	Engine-Kohler, Ch740s-0007

☆ Not serviced separately

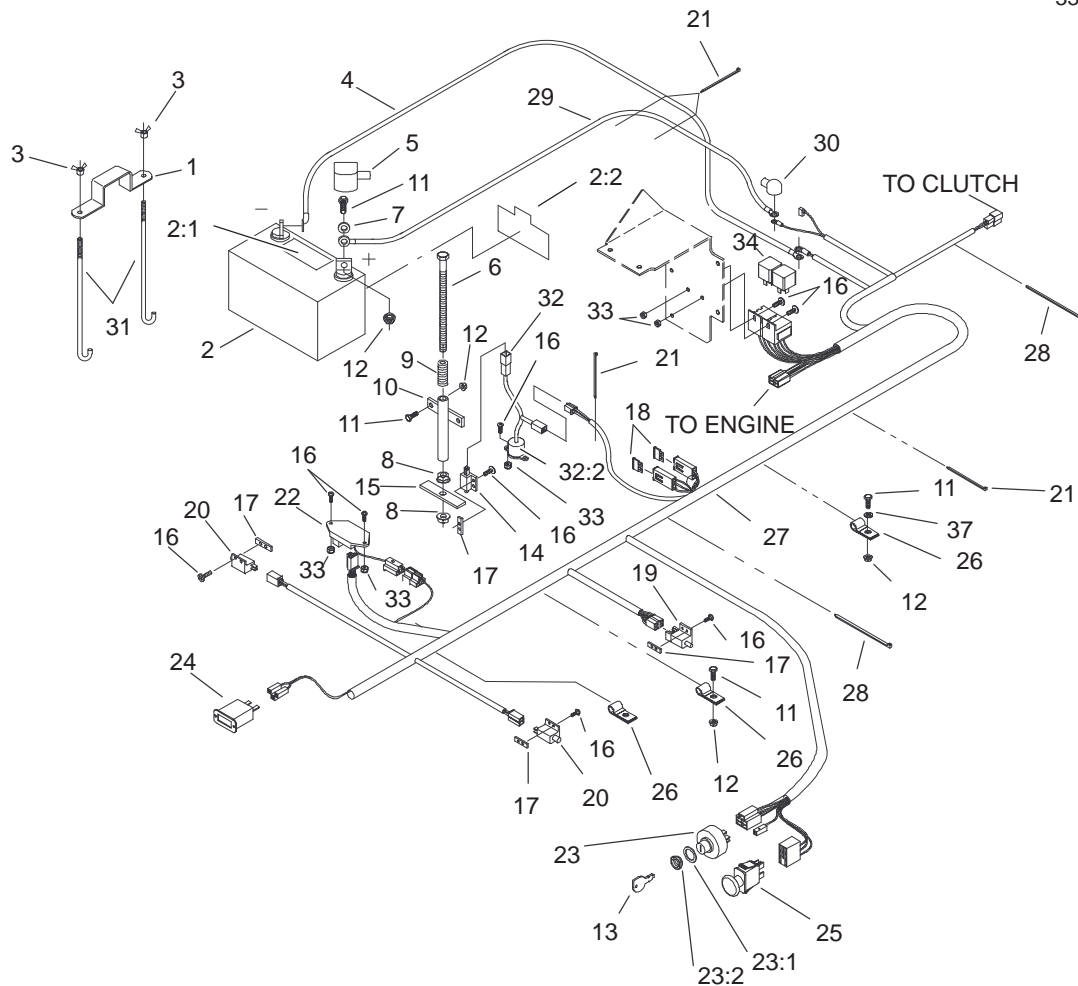


Sheet No.:13

Shield Assembly

Ref. No.	Part No.	Qty.	Description
3	1-523420	2	Bumper
11	1-644276	1	Shield ASM
11:1	1-633462	1	Decal-Important
11:2	1-634308	1	Shield/Lift ASM
11:2:1	103-1308	1	Shield-Engine
11:2:2	1-633300-03	1	Lift-Shield
11:2:3	1-803035	3	Rivet-Pop
11:3	103-0368	1	Decal-Devices, Rotating
14	1-634796	1	LH Shield ASM
14:1	1-523285	1	Clip-Baffle, Rear
14:2	1-633301	1	Shield-Engine
14:3	1-633795-03	1	Baffle-Engine Shield, LH
14:4	1-803035	3	Rivet-Pop
14:5	3256-63	3	Washer-Flat
17	1-643313-03	1	Guard-Muffler
22	321-4	10	Screw-HH
27	3296-42	6	Nut-Lock, NI
29	3256-2	4	Washer-Flat
33	32128-33	5	Nut-HF
34	1-633396	1	Clip-Loom
35	1-809076	2	Screw
36	1-323235	2	Washer-Spring
37	1-323236	2	Spacer
43	1-644316	1	RH Shield ASM

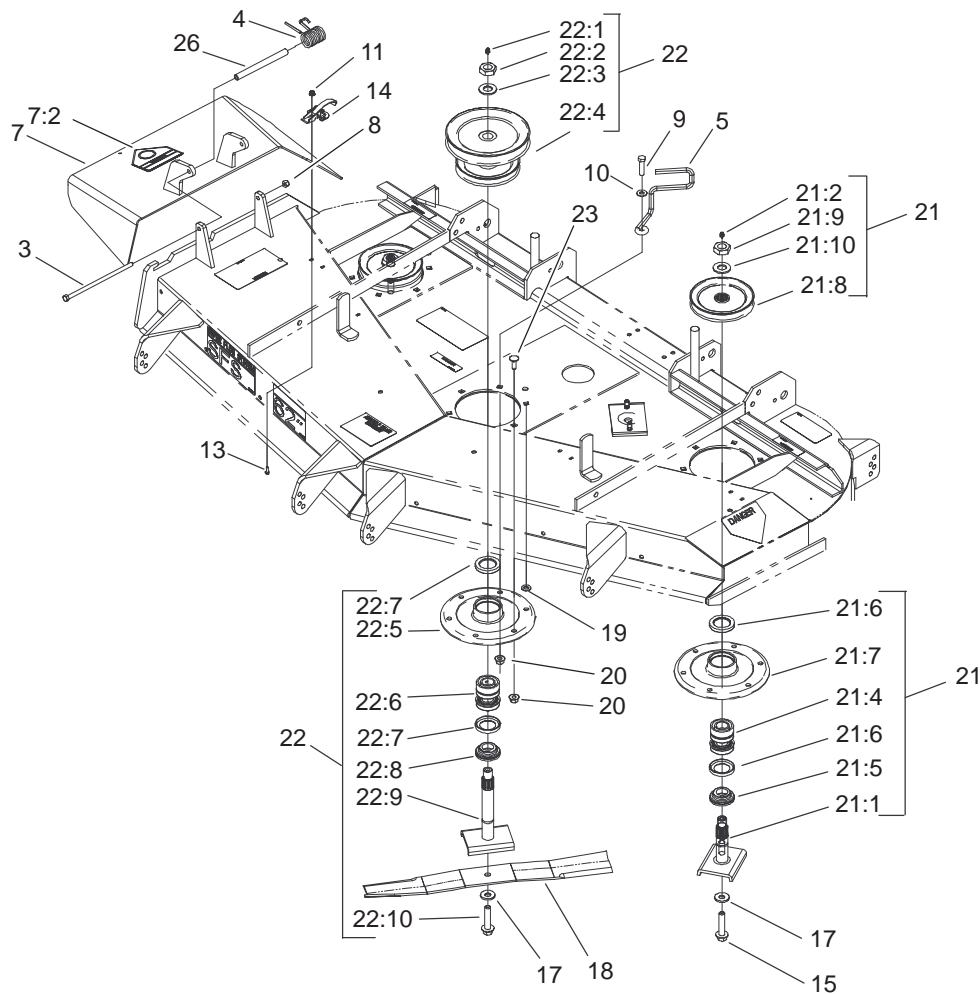
Ref. No.	Part No.	Qty.	Description
43:1	1-523285	1	Clip-Baffle, Rear
43:2	1-633301	1	Shield-Engine
43:3	1-633794-03	1	Baffle-Engine Shield, RH
43:4	1-643315	1	Baffle-Cooler, Engine
43:5	1-803035	5	Rivet-Pop
43:6	3256-63	5	Washer-Flat
44	1-643339	1	Decal-Routing, Belt



Sheet No.:27

Electrical System Assembly

Ref. No.	Part No.	Qty.	Description	Ref. No.	Part No.	Qty.	Description
1	1-633652-03	1	Strap-Holddown	23	88-9830	1	Key Switch ASM
2	105-1692	1	Battery	23:1	3254-5	1	Washer-Lock, Internal
2:1	104-4163	1	Decal-Battery	23:2	218-461	1	Nut-HH
2:2	104-4164	1	Decal-Battery	24	1-513374	1	Meter-Hour
3	1-543792	2	Wingnut	25	1-633673	1	Switch-Delta
4	1-633307	1	Wire-Ground	26	1-633396	3	Clip-Loom
5	1-543391	1	Insulator-Battery	27	100-4340	1	Harness-Wire
6	1-800282	1	Screw-HH	28	1-303335	2	Tie-Plastic
7	3256-2	2	Washer-Flat	29	1-523281	1	Wire-Starter
8	32128-20	2	Nut-HF	30	1-543393	1	Insulator-Solenoid
9	1-523415	1	Spring-Switch, Seat	31	1-633651	2	Bolt-Holddown
10	1-522424-03	1	Mount-Spring, Seat	32	1-644427	1	Tilt Switch ASM
11	321-4	6	Screw-HH	32:2	1-643401	1	Decal-Switch, Mercury
12	32128-33	6	Nut-HF	33	3296-2	6	Nut-Lock
13	63-8360	2	Key-Ignition	34	1-643275	2	Relay
14	1-513152	1	Switch-Closed, Normally	37	3256-22	1	Washer-Flat
15	1-513180	1	Plate-Switch, Seat				
16	3290-500	14	Screw-PPH				
17	1-633181	4	Plate-Tapped				
18	1-816001	2	Fuse-Type, Blade				
19	1-633111	1	Switch				
20	1-513051	2	Switch-Open, Normally				
21	1-303287	5	Tie-Plastic				
22	100-6186	1	Module-Delay, Seat				

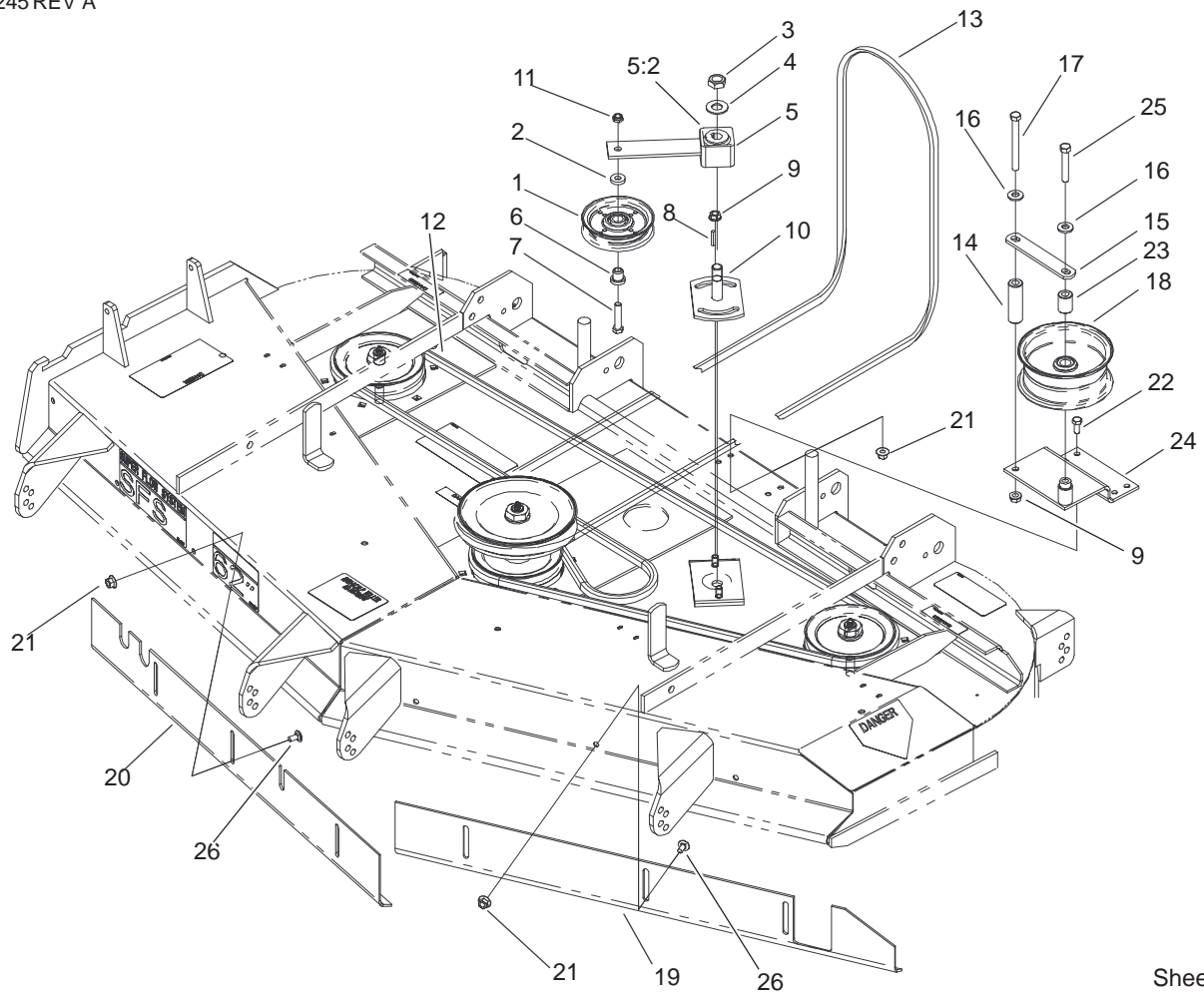


Sheet No.:62

Spindle and Pulley Assembly

Ref. No.	Part No.	Qty.	Description
3	322-50	1	Screw-HH
4	104-8554	1	Spring-Torsion
5	99-8933	1	Guide-Belt
7	105-3605	1	Deflector ASM
7:2	93-1122	1	Decal-Danger
8	3296-29	1	Nut-Lock, NI
9	323-8	1	Screw-HH
10	3256-3	1	Washer-Flat
11	32128-17	8	Nut-Lock, Flange
13	3290-321	8	Screw-HWH
14	249-21	4	Clamp-Slotted
15	92-5816	2	Bolt-Blade
17	1-513435	3	Washer-Spring
18	44-6250	3	Blade
19	3256-24	1	Washer-Flat
20	32128-21	18	Nut-HF
21	99-4640	2	Outer Spindle ASM
21:1	27-0920	1	Shaft
21:2	302-2	1	Fitting-Grease
21:4	46-8530	1	Bearing ASM
21:5	27-0950	1	Spacer
21:6	253-139	2	Seal-Oil
21:7	61-4160	1	Housing
21:8	99-4614	1	Pulley And Hub
21:9	32146-20	1	Nut-Jam
21:10	7-4150	1	Washer

Ref. No.	Part No.	Qty.	Description
22	105-1689	1	Spindle Housing ASM
22:1	302-2	1	Fitting-Grease
22:2	32146-20	1	Nut-Jam
22:3	92-5836	1	Washer
22:4	100-4307	1	Pulley-Hub ASM
22:5	61-4160	1	Housing
22:6	46-8530	1	Bearing ASM
22:7	253-139	2	Seal-Oil
22:8	27-0950	1	Spacer
22:9	105-1686	1	Spindle Shaft ASM
22:10	92-5816	1	Bolt-Blade
23	3231-22	17	Screw-CARR
26	105-4622	1	Spacer



Sheet No.:63

Belt and Idler Arm Assembly

Ref. No.	Part No.	Qty.	Description
1	65-5940	1	Pulley-Idler
2	7-0081	1	Washer-Flat
3	3296-71	1	Nut-Lock NI
4	3256-27	1	Washer-Flat
5	27-8580	1	Idler Arm ASM
5:2	27-8490	1	Bushing-Rubber
6	65-5950	1	Bushing-Pulley
7	3211-8	1	Screw-HH
8	5-1077	1	Key-Square
9	3290-357	3	Nut-HHF
10	44-6301	1	Plate-Idler, LH
11	3296-5	1	Nut-Lock, NI
12	44-6260	1	V-Belt
13	99-4647	1	V-Belt-Drive, Deck
14	99-4659	1	Spacer-Bracket
15	1-653189	1	Plate
16	98-5975	2	Washer-Belleville
17	323-42	1	Screw-HH
18	1-413099	1	Pulley-Idler
19	99-2833-03	1	Baffle-Front, LH
20	99-2834-03	1	Baffle-Front, RH
21	32128-20	10	Nut-HF
22	322-3	4	Screw-HH
23	1-653190	1	Spacer
24	99-4684-01	1	Bracket-Pulley

Ref. No.	Part No.	Qty.	Description
25	323-11	1	Screw-HH
26	3230-18	6	Screw-CARR

Electrical Schematic

