



## Z255

### Z Master<sup>®</sup> with 62in SFS Side Discharge Mower

Model No. 74234—230000001 and Up

## Parts Catalog

---

### Ordering Replacement Parts

To order replacement parts, please supply: the part number, the quantity, and the description of each part desired.

### Understanding Reference Numbers

Each identified part in an illustration has a reference number. The reference number for a part also appears in the parts list, along with other information about the part.

This catalog uses two special reference number formats, one to indicate parts in a service assembly and another to indicate the quantity of a given part in an illustration.

### Service Assembly Reference Numbers

Parts in service assemblies have reference numbers in the form **a:b**. The **a** represents the reference number of the entire service assembly and the **b** represents a sequential number unique to each part within the service assembly.

For example, a wheel assembly might be identified by reference number **6**, the tire by **6:1**, the valve by **6:2**, and the wheel by **6:3**. When you order the assembly identified by reference number **6**, you receive all parts identified by reference numbers **6:1**, **6:2**, and **6:3**. However, you may also order any part individually.

Reference numbers of this type appear in illustrations and in part lists.

### Reference Numbers Indicating Quantity

In an illustration, if a reference number indicates more than one part, the reference number has the form **nX y**. The **n** represents the quantity of the part, the **X** is the multiplication symbol, and the **y** represents the reference number.

For example, in an illustration, the reference number **2X 37** means that two of the parts identified by reference number **37** are indicated.

## Contents

<b>Description</b>	<b>Page</b>
Front Frame Assembly .....	4
Caster and Wheel Assembly .....	5
Main Frame Assembly .....	6
Brake and Wheel Hub Assembly .....	7
Steering Control Assembly .....	8
Hydraulic System Assembly .....	9
Seat Assembly .....	11
Deck Connection Assembly .....	12
Drive Idler Assembly .....	13
Z–Stand Assembly .....	14
Engine and Clutch Assembly .....	15
Guard Assembly .....	16
Fuel System Assembly .....	17
Electrical System Assembly .....	18
Deck, Deflector and Roller Assembly .....	19
Spindle and Pulley Assembly .....	20
Belt and Idler Arm Assembly .....	21
Electrical Schematic .....	22
Cylinder/Crankcase Assembly	
Kawasaki FH721D–AS05 .....	23
Piston/Crankshaft Assembly	
Kawasaki FH721D–AS05 .....	24

<b>Description</b>	<b>Page</b>
Valve/Camshaft Assembly	
Kawasaki FH721D–AS05 .....	25
Lubrication Equipment Assembly	
Kawasaki FH721D–AS05 .....	26
Cooling Equipment Assembly	
Kawasaki FH721D–AS05 .....	27
Electric Equipment Assembly	
Kawasaki FH721D–AS05 .....	28
Control Equipment Assembly	
Kawasaki FH721D–AS05 .....	29
Carburetor Assembly	
Kawasaki FH721D–AS05 .....	30
Air Filter/Muffler Assembly	
Kawasaki FH721D–AS05 .....	31
Fuel Tank/Fuel Valve Assembly	
Kawasaki FH721D–AS05 .....	32
Starter Assembly	
Kawasaki FH721D–AS05 .....	33
P.T.O. Equipment Assembly	
Kawasaki FH721D–AS05 .....	34
Label Assembly	
Kawasaki FH721D–AS05 .....	35

## Accessories

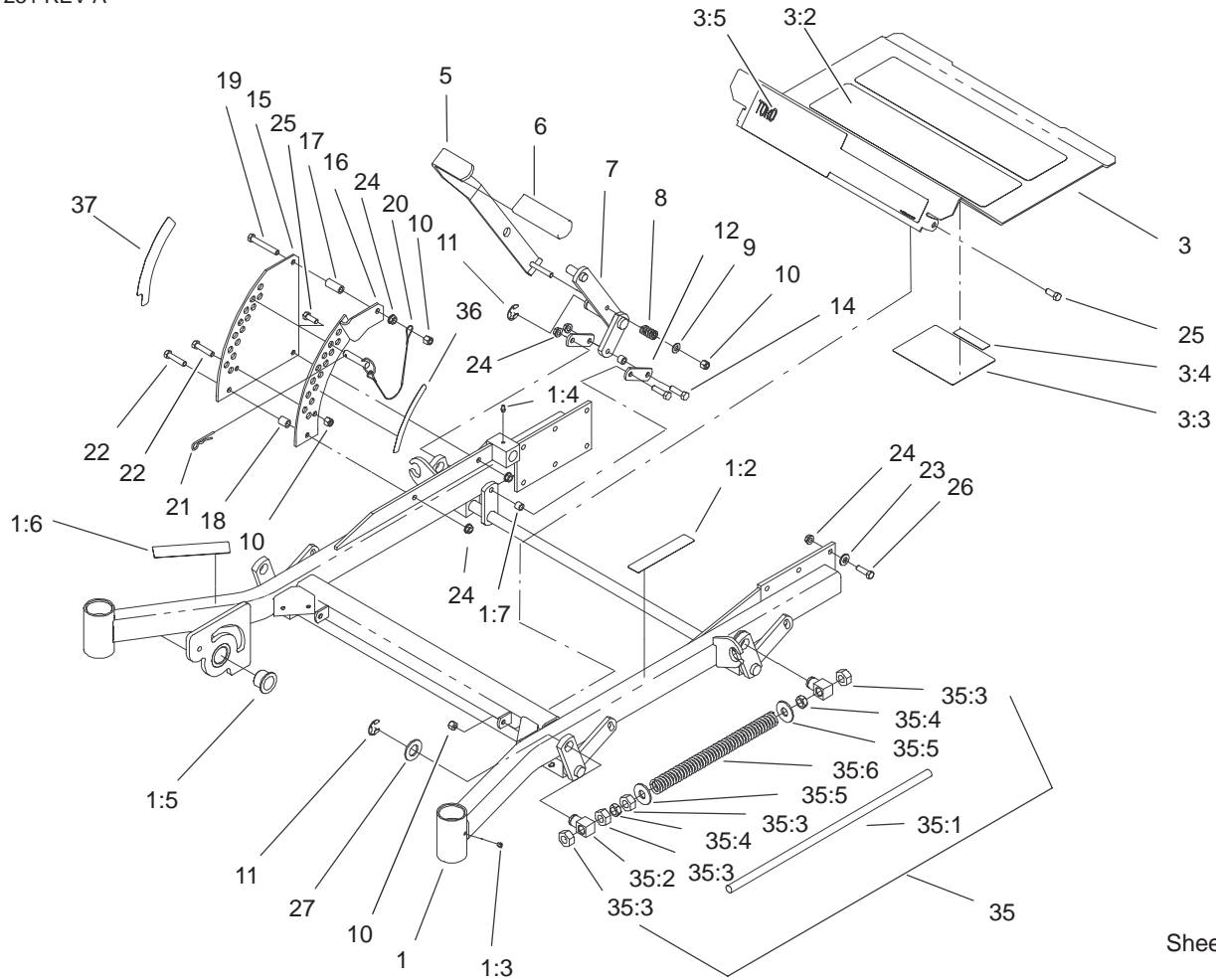
<b>Description</b>	<b>Model / Part No.</b>
Suspension Seat Kit .....	99–8522
Hitch Kit .....	99–8925
Atomic Blade Assembly .....	104–1303

<b>Description</b>	<b>Model / Part No.</b>
Striping Kit .....	30163
Z–Recycler Kit .....	100–9600
Muffler Kit .....	105–3633

## Part Description Abbreviations

Part descriptions in this catalog may include the following abbreviations.

<b>Abbreviation</b>	<b>Meaning</b>	<b>Abbreviation</b>	<b>Meaning</b>
AR .....	as required	HYD .....	hydraulic
ASM .....	assembly	INC .....	incorporated
CARR .....	carriage	LH .....	left hand
DEG .....	degrees	NI .....	nylon insert
FH .....	flat head	PPH .....	Phillips pan head
GA .....	gauge	PTH .....	Phillips truss head
HF .....	hex flange	PTO .....	power take off
HH .....	hex head	RH .....	right hand
HHF .....	hex head flange	SFH .....	slotted fillister head
HLH .....	hex lag head	SHH .....	slotted hex head
HJ .....	hex jam	SQH .....	square head
HOC .....	height-of-cut	SHWH .....	slotted hex washer head
HS .....	hex socket	SPH .....	slotted pan head
HSBH .....	hex socket button head	SRH .....	slotted round head
HSFH .....	hex socket flat head	STD .....	standard
HSH .....	hex socket head	TAP .....	self tapping
HWH .....	hex washer head	TTH .....	Torx truss head
HWHTF .....	hex washer head thread forming	WH .....	wing head



Sheet No.: 2

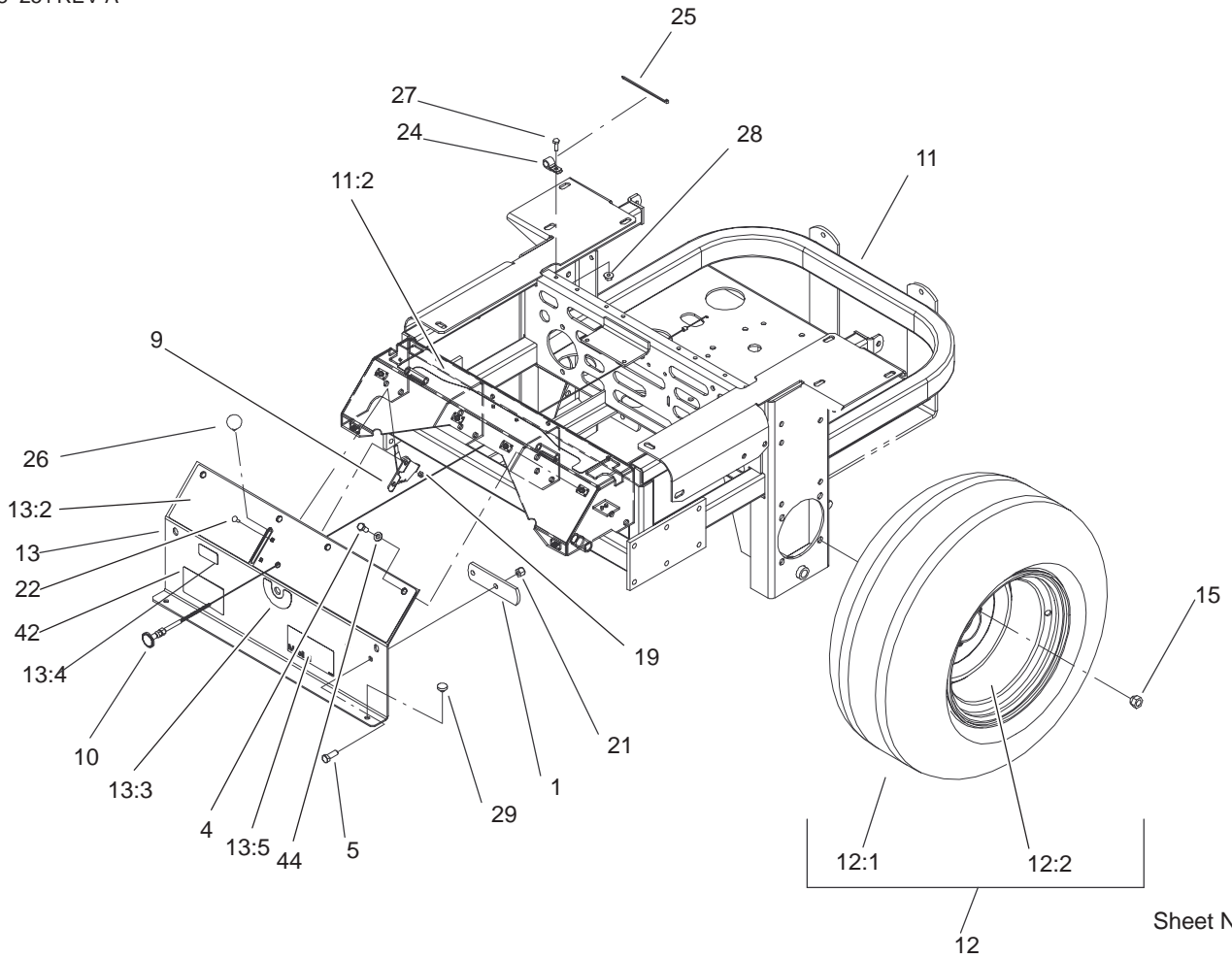
## Front Frame Assembly

Ref. No.	Part No.	Qty.	Description
1	104-5132	1	Frame ASM
1:2	1-633818	1	Decal-Warning
1:3	1-811010	2	Plug
1:4	302-19	5	Fitting-Grease
1:5	94-1291	2	Bushing-Special
1:6	104-7759	1	Decal-Warning
1:7	103-1918	1	Bushing
3	100-6509	1	Floorpan ASM
3:2	1-633553	3	Pad-Antiskid
3:3	1-633766	1	Decal-Check
3:4	98-5954	1	Decal-Missing, Cover
3:5	1-633737	1	Decal-Z Master
5	103-2083-03	1	Lever-Lift
6	1-633295	1	Grip-Lever, Lift
7	103-2064-03	1	Arm-Lift, Deck
8	1-633325	1	Spring-Compression
9	3256-24	1	Washer-Flat
10	3296-39	5	Nut-Lock, NI
11	32151-103	5	Ring-Snap
12	1-633068	2	Arm-Lift, Deck
14	323-29	2	Screw-HH
15	1-633889-01	1	Plate-Lift, Deck
16	1-632899-01	1	Plate-Lift, Deck
17	1-633082	1	Bushing-Lever, Lift
18	1-633080	1	Bushing-Lever, Lift
19	323-13	1	Screw-HH

Ref. No.	Part No.	Qty.	Description
20	1-633097	1	Pin-Hitch W/Lanyard
21	1-806005	1	Pin-Hair
22	323-9	2	Screw-HH
23	98-5975	12	Washer-Belleville
24	3290-357	17	Nut-HHF
25	323-6	3	Screw-HH
26	323-7	12	Screw-HH
27	3256-29	4	Washer-Flat
☆35		2	Front Frame Spring ASM
35:1	1-633096	1	Rod-Lift, Deck
35:2	1-633441	2	Swivel-Deck Mount, Rear
35:3	3217-11	4	Nut-Hex
35:4	3218-6	2	Nut-Jam
35:5	3256-7	2	Washer-Flat
35:6	1-633064	1	Spring-Support, Deck
36	1-633706	1	Decal-Height, Deck
37	1-633345	1	Decal-Height, Deck

☆ Not serviced separately



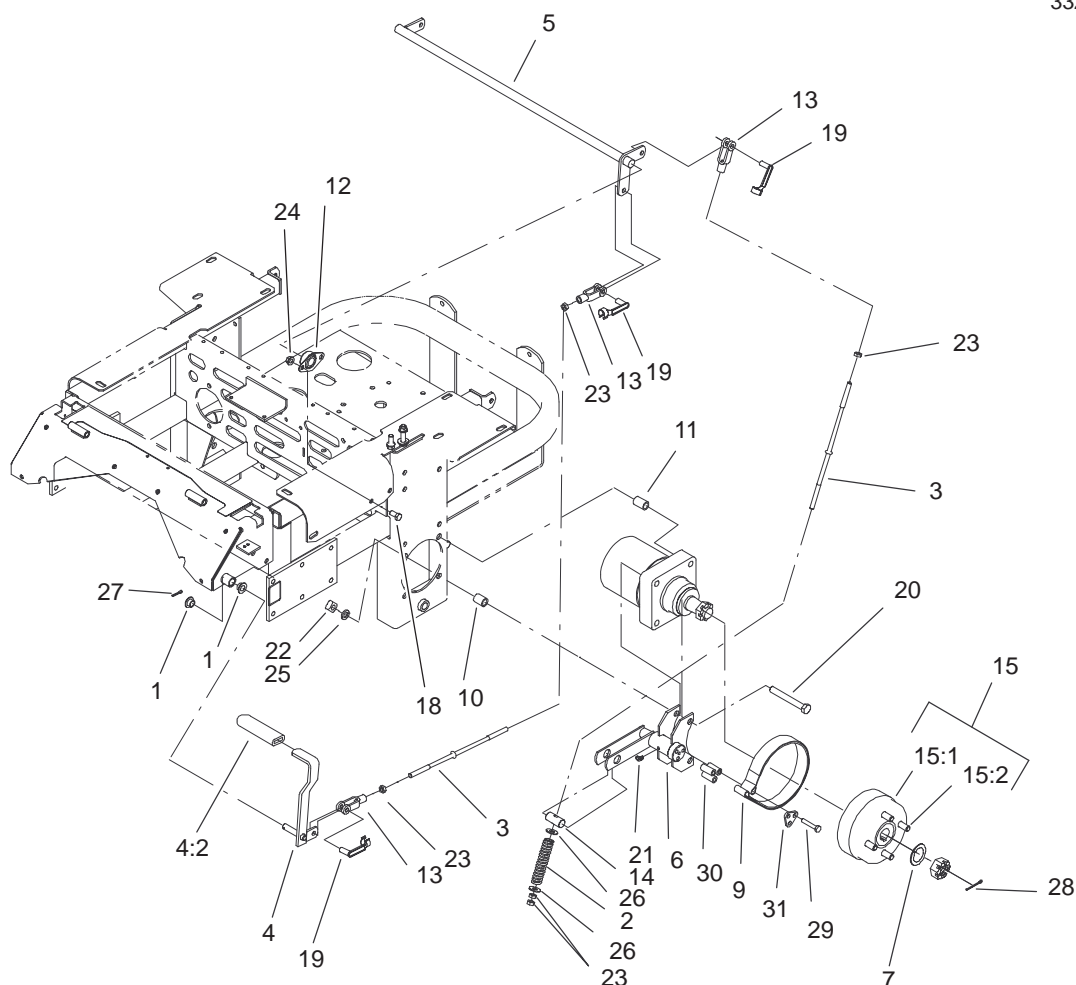


Sheet No.: 4

## Main Frame Assembly

Ref. No.	Part No.	Qty.	Description
1	1-633964-03	1	Stop-Brake, Park
4	322-3	6	Screw-HH
5	323-6	2	Screw-HH
9	1-633696	1	Cable-Throttle
10	1-603336	1	Control-Choke
11	105-3648	1	Main Frame ASM
11:2	103-2433	1	Decal-Console, Top
12	1-633970	2	Wheel And Tire ASM
12:1	1-633993	1	Tire
12:2	1-633992	1	Wheel
13	99-4623	1	Console ASM
13:2	100-4311	1	Decal-Panel, Control
13:3	103-0262	1	Decal-Valve, Fuel
13:4	98-4387	1	Decal-Protection, Ear
13:5	104-8172	1	Decal-Mobil 1
15	242-50	8	Nut-Lug
19	3296-2	2	Nut-Lock
21	3296-39	2	Nut-Lock, NI
22	1-807513	2	Bolt-CARR
24	1-513762	1	Clip-Loom
25	1-303335	1	Tie-Plastic
26	1-513592	1	Knob-Ball
27	321-4	1	Screw-HH
28	32128-33	1	Nut-HF
29	1-513658	2	Bumper-Catcher, Grass

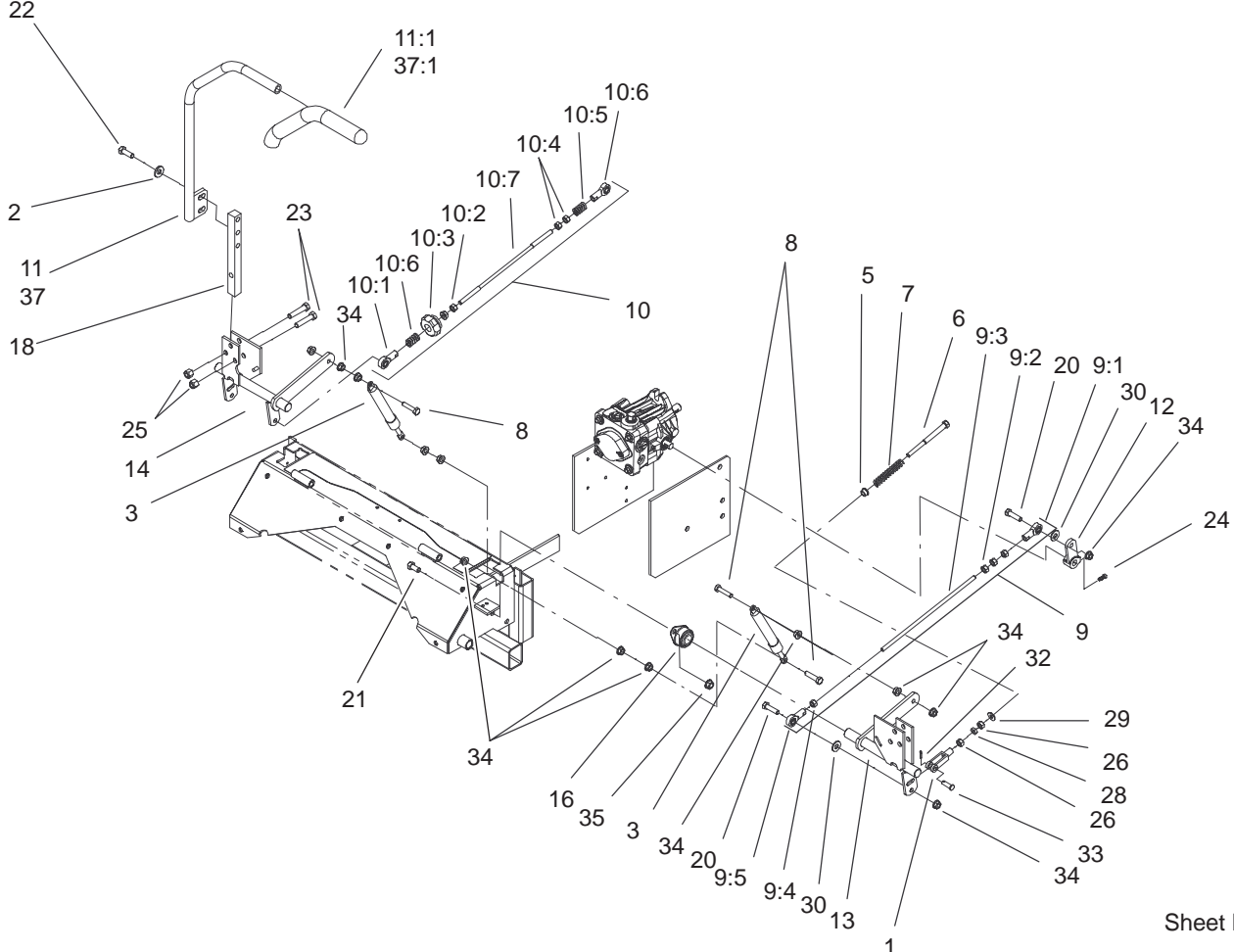
Ref. No.	Part No.	Qty.	Description
42	1-633736	1	Decal-Toro, Z255
44	3256-23	6	Washer-Flat



Sheet No.: 5

## Brake and Wheel Hub Assembly

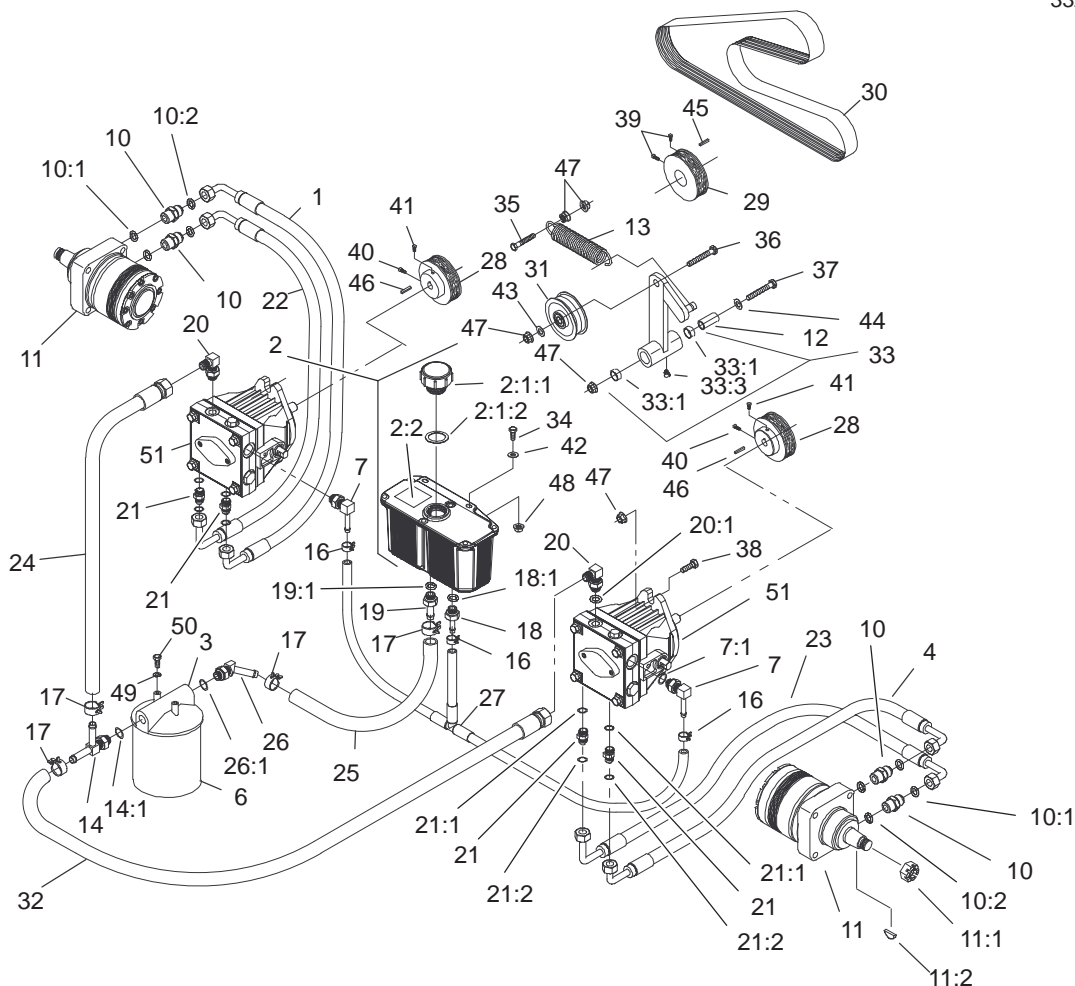
Ref. No.	Part No.	Qty.	Description	Ref. No.	Part No.	Qty.	Description
1	1-513140	2	Bearing-Control	27	3272-10	1	Pin-Cotter
2	1-633454	2	Spring-Brake	28	1-806800	2	Pin-Cotter
3	1-633477	3	Rod-Brake	29	322-9	6	Screw-HH
4	1-634500	1	Brake Lever ASM	30	103-0384	6	Spacer
4:2	1-633268	1	Grip-Lever, Brake	31	103-0374	2	Retainer-Band, Brake
5	1-632217-03	1	Shaft-Brake				
6	103-0352-03	2	Bracket-Brake				
7	1-523157	2	Washer-Spacer				
9	103-0355	2	Band-Brake				
10	1-633380	4	Spacer-Wheel, Short				
11	1-633382	4	Spacer-Wheel, Long				
12	1-633102	2	Bearing-Flange, Side				
13	1-633131	4	Yoke-Linkage, Brake				
14	1-633144	2	Pin-Trunion				
15	103-0590	2	Hub-Wheel				
15:1	103-0589	1	Hub-Wheel				
15:2	1-633926	4	Stud-Wheel				
18	323-4	4	Screw-HH				
19	103-2399	4	Pin-Spring, Clevis				
20	325-17	8	Screw-HH				
21	1481	2	Fitting-Grease				
22	103-0131	8	Nut-Square				
23	3219-3	8	Nut-HH				
24	3290-357	4	Nut-HHF				
25	3253-7	8	Washer-Lock				
26	3256-4	4	Washer-Flat				



## Steering Control Assembly

Ref. No.	Part No.	Qty.	Description
1	1-303105	2	Yoke-Adjustable
2	98-5975	4	Washer-Belleville
3	103-2913	2	Damper-Control, Motion
5	1-603735	2	Bushing-Flanged
6	1-603737	2	Bolt-Return, Neutral
7	1-603807	2	Spring-Return, Neutral
8	1-403180	4	Screw-HH
9	1-634275	1	LH Pump Linkage ASM
9:1	1-543017	1	Balljoint-RH
9:2	3219-2	3	Nut-Hex
9:3	1-633153	1	Link-Rod, Tracking
9:4	1-804524	1	Nut
9:5	1-633152	1	Balljoint-Thread, LH
10	103-3061	1	Tracking Rod ASM
10:1	1-543017	1	Balljoint-RH
10:2	3219-2	1	Nut-Hex
10:3	103-3060	1	Knob-Tracking
10:4	1-804524	2	Nut
10:5	1-323245	2	Spring-Compression
10:6	1-633152	1	Balljoint-Thread, LH
10:7	103-3064	1	Link-Rod, Tracking
11	103-0632	1	RH Lever ASM
11:1	1-633257	1	Grip-Control, Motion

Ref. No.	Part No.	Qty.	Description
12	1-632208	2	Arm-Control, Pump
13	1-642319	1	Control-Motion, LH
14	1-642320	1	Control-Motion, RH
16	1-633102	4	Bearing-Flange, Side
18	103-0407	2	Arm-Shaft, Control
20	322-6	4	Screw-HH
21	323-4	8	Screw-HH
22	323-6	4	Screw-HH
23	323-9	6	Screw-HH
24	1-803022	2	Screw-Set
25	3296-39	6	Nut-Lock, NI
26	3219-2	4	Nut-Hex
28	3220-2	2	Nut
29	3256-2	2	Washer-Flat
30	3256-3	4	Washer-Flat
32	3272-5	2	Pin-Cotter
33	1-808280	2	Pin-Clevis
34	32128-20	16	Nut-HF
35	3290-357	8	Nut-HHF
37	103-0631	1	LH Lever ASM
37:1	1-633257	1	Grip-Control, Motion



## Hydraulic System Assembly

Ref. No.	Part No.	Qty.	Description
1	103-1764	1	Upper RH Hose ASM
2	103-1947	1	HYD Reservoir ASM
☆2:1		1	Reservoir-HYD
2:1:1	103-1948	1	Cap-Reservoir, HYD
2:1:2	103-1949	1	Gasket-Cap
2:2	1-523552	1	Decal-Tank, HYD
3	104-7836	1	Head-Filter
4	103-1682	1	Upper LH Hose ASM
6	1-633752	1	Filter-HYD, Winter
6	1-633750	1	Filter-HYD
7	103-1799	2	Elbow-90°
7:1	237-42	1	O-Ring
10	1-603991	4	Fitting-Straight
10:1	237-80	1	O-Ring
10:2	1-603992	1	O-Ring
11	1-523328	2	Motor-Wheel
11:1	1-809036	1	Nut-HH
11:2	3257-42	1	Key-Woodruff
*11:99	1-000099	1	Seal Kit
*11:99	1-000139	1	Bearing Kit
*11:99	103-2748	1	Drive Link Kit
12	1-603384	1	Bushing-Pivot, Idler
13	1-633151	1	Spring-Extension
14	103-1828	1	Adapter-Run, Tee
14:1	237-42	1	O-Ring
16	103-1716	3	Clamp-Hose

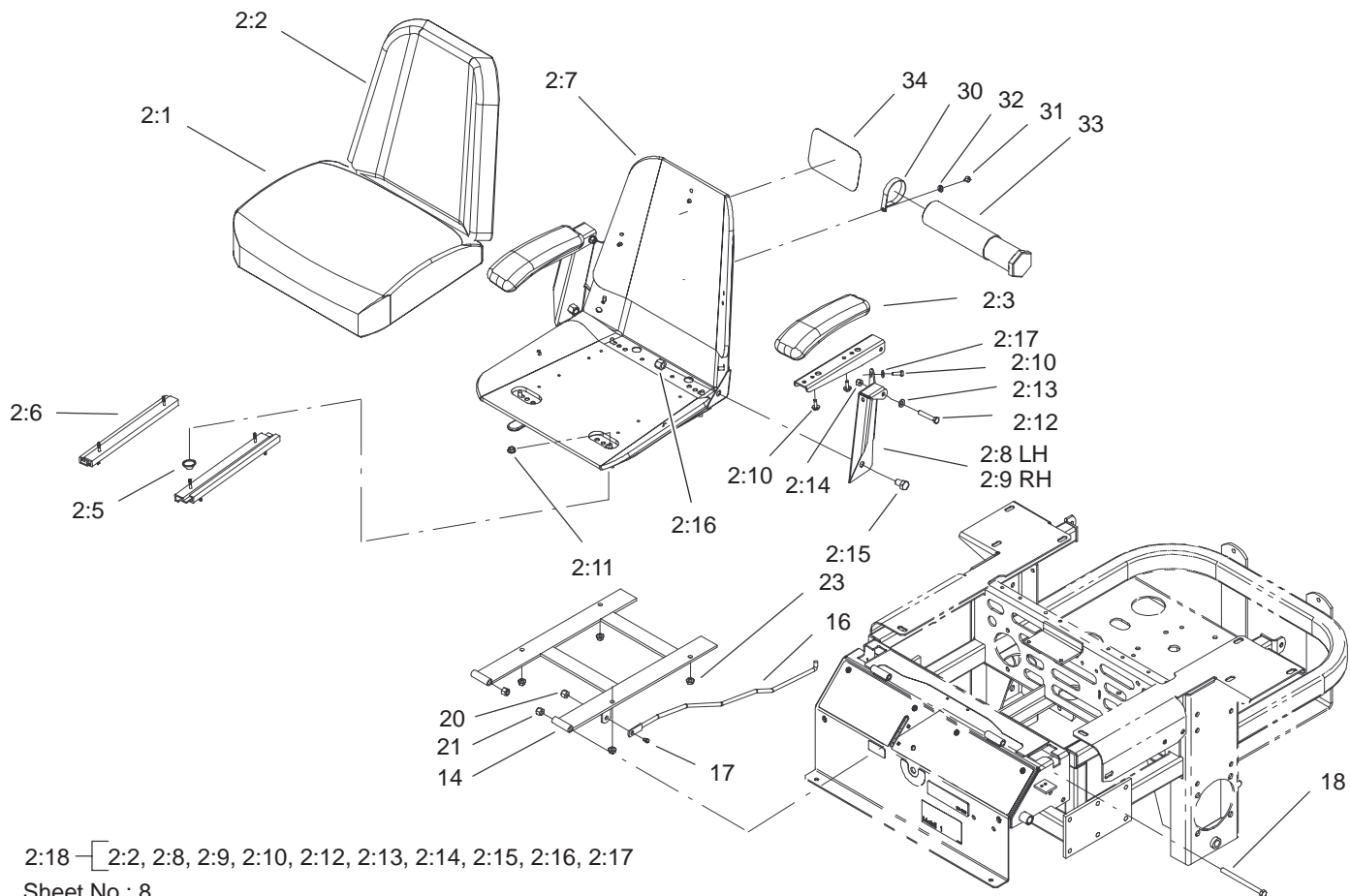
Ref. No.	Part No.	Qty.	Description
17	103-1988	4	Clamp-Hose
18	103-1801	1	Adapter-Straight
18:1	237-42	1	O-Ring
19	103-1912	1	Adapter-Straight
19:1	237-42	1	O-Ring
20	103-1802	2	Elbow-HYD, 90°
20:1	237-42	1	O-Ring
21	1-603990	4	Fitting-Straight
21:1	237-79	1	O-Ring
21:2	1-603992	1	O-Ring
22	103-1765	1	Lower RH Hose ASM
23	103-1683	1	Lower LH Hose ASM
24	103-1826	1	HYD Hose ASM
25	103-1808	1	Hose-HYD
26	103-1807	1	Elbow-45°
26:1	237-42	1	O-Ring
27	103-1806	1	HYD Hose ASM
28	1-633568	2	Sheave
29	1-633567	1	Sheave
30	1-633749	1	Belt-Drive, Pump
31	1-633167	1	Sheave-Idler
32	103-1827	1	HYD Hose ASM
33	1-634277	1	Bearing Arm ASM
33:1	1-513034	2	Sleeve-Bearing
33:3	302-40	1	Fitting-Grease
34	321-6	2	Screw-HH

☆ Not serviced separately

\* Not illustrated

Sheet No.: 7





## Seat Assembly

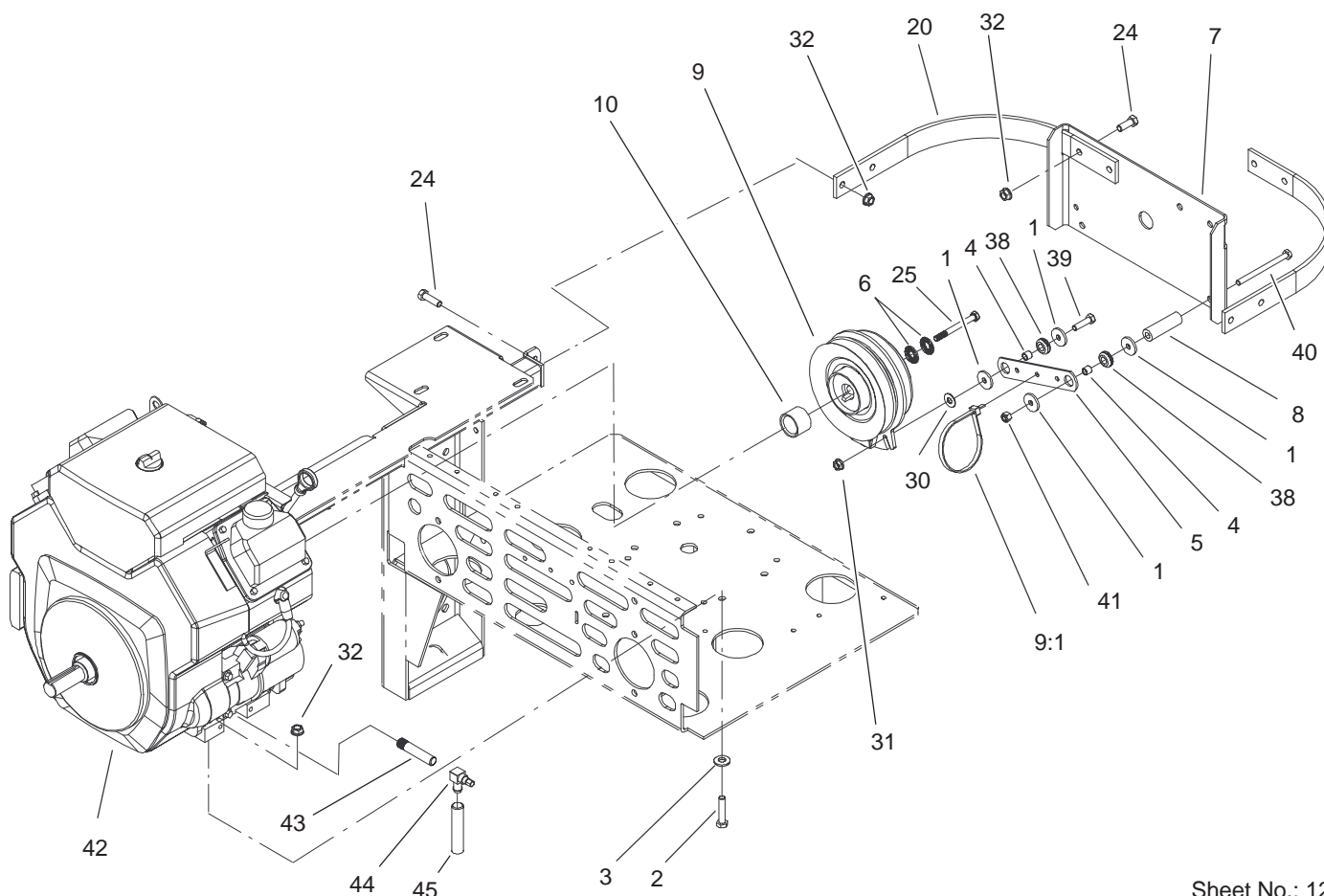
Ref. No.	Part No.	Qty.	Description
2	1-633705	1	Seat ASM
2:1	103-0290	1	Cushion-Seat, Bottom
2:2	104-7754	1	Cushion-Seat, Back
2:3	1-633710	2	Cushion-Armrest
2:5	1-543401	4	Spacer-Track
2:6	1-643255	1	Track-Seat
2:7	1-633859	1	Frame-Seat
2:8	105-3622	1	Bracket-Armrest, LH
2:9	105-3621	1	Bracket-Armrest, RH
2:10	321-4	11	Screw-HH
2:11	32128-20	4	Nut-HF
2:12	322-10	2	Screw-HH
2:13	3256-23	4	Washer-Flat
2:14	3296-29	2	Nut-Lock, NI
2:15	325-2	2	Screw-HH
2:16	3296-23	2	Nut-Lock, NI
2:17	3256-22	11	Washer-Flat
2:18	105-3620	1	Kit-Armrest
14	1-632187-03	1	Frame-Seat
16	1-633293	1	Rod-Holdup, Seat
17	322-5	1	Screw-HH
18	323-39	2	Screw-HH
20	3296-29	1	Nut-Lock, NI
21	3296-39	2	Nut-Lock, NI
23	32128-20	4	Nut-HF
30	2412-133	2	R-Clamp

Ref. No.	Part No.	Qty.	Description
31	32104-76	2	Screw
32	3256-16	2	Washer-Flat
33	74-0720	1	Tube-Manual
34	99-4693	1	Decal-Toro







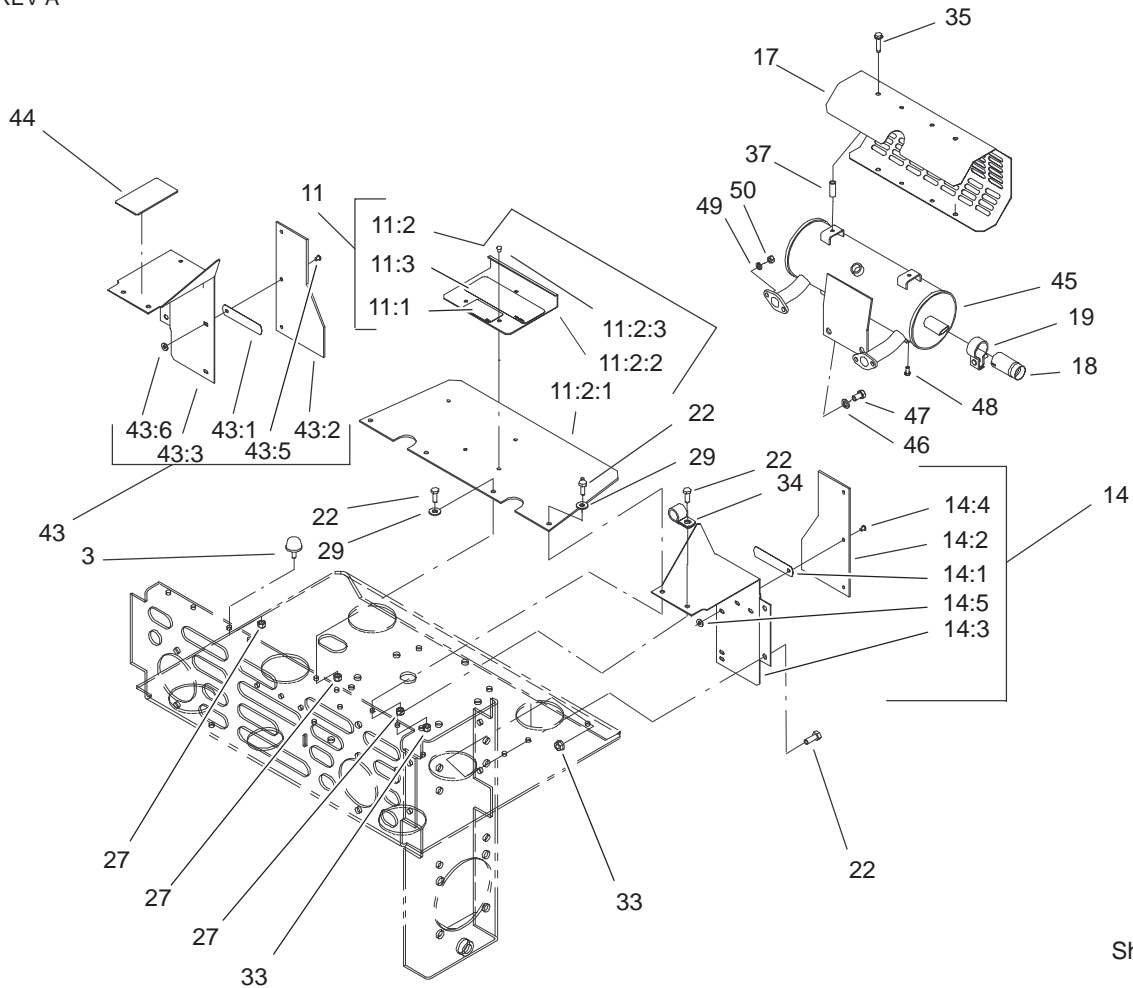


Sheet No.: 12

## Engine and Clutch Assembly

Ref. No.	Part No.	Qty.	Description	Ref. No.	Part No.	Qty.	Description
1	1-613235	4	Washer	44	103-1965	1	Valve-Drain, Oil
2	323-9	4	Screw-HH	45	103-1964	1	Hose-Drain, Oil
3	98-5975	4	Washer-Belleville				
4	1-633545	2	Spacer-Grommet				
5	1-633543-03	1	Strap-Clutch, Brake				
6	1-603610	2	Washer-Spring				
7	1-633615-03	1	Guard-Clutch				
8	1-633988	1	Spacer-Anchor, Clutch				
9	103-1364	1	Clutch				
9:1	1-303335	1	Tie-Plastic				
10	1-633179	1	Spacer-Clutch				
20	1-643264-03	2	Bracket-Guard, Top				
24	323-6	6	Screw-HH				
25	3212-6	1	Screw-HH				
30	3256-3	1	Washer-Flat				
31	32128-20	1	Nut-HF				
32	3290-357	8	Nut-HHF				
38	1-633630	2	Grommet-Brake				
39	322-6	1	Screw-HH				
40	322-19	1	Screw-HH				
41	3296-29	1	Nut-Lock, NI				
☆42		1	Engine-Kawasaki, Fh721d As-05				
43	103-1966	1	Adapter				

☆ Not serviced separately



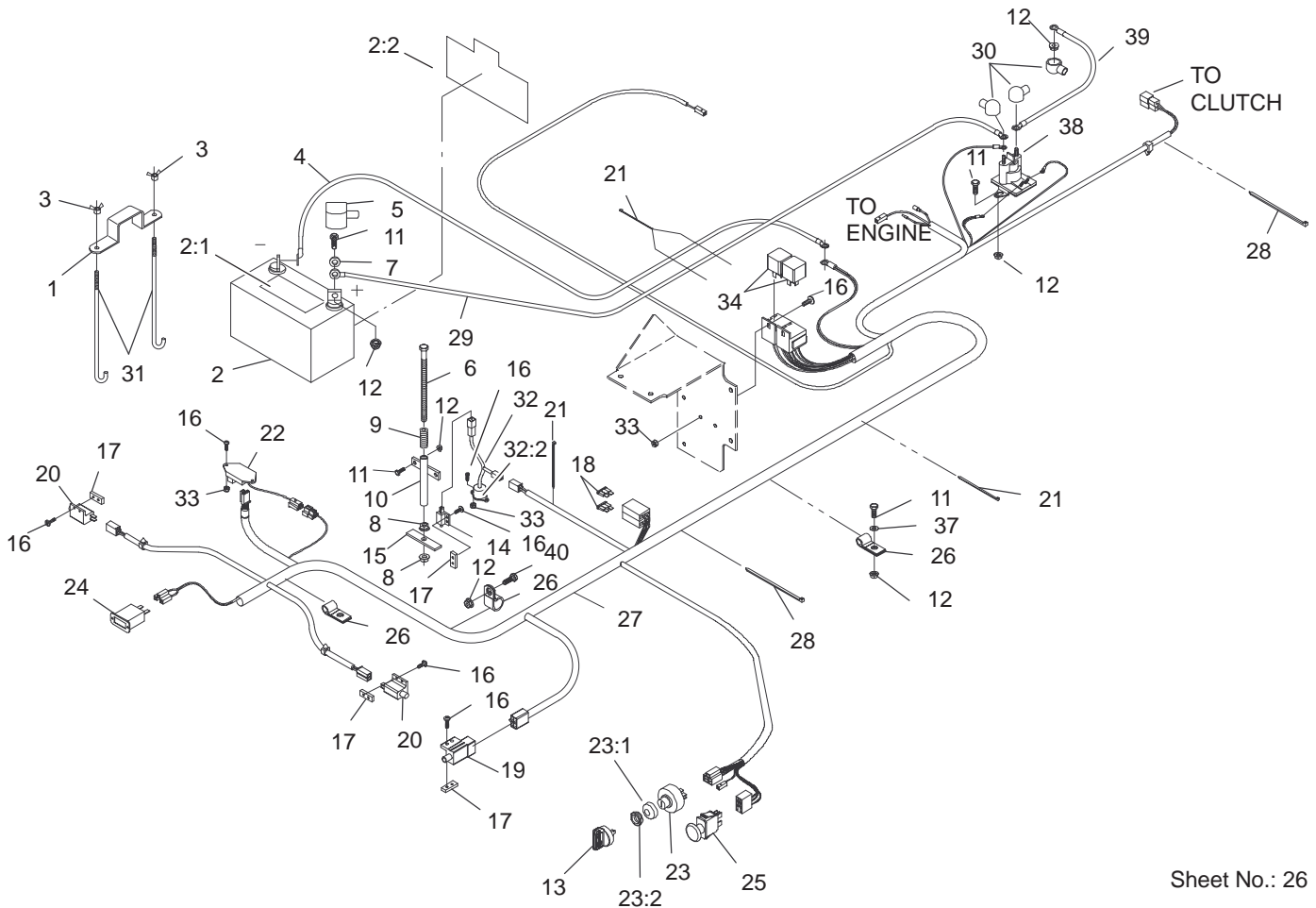
Sheet No.: 13

## Guard Assembly

Ref. No.	Part No.	Qty.	Description
3	1-523420	2	Bumper
11	105-6196	1	Shield ASM W/ Decals
11:1	1-633462	1	Decal-Important
11:2	103-1301	1	Drive Cover ASM
11:2:1	103-1308	1	Shield-Engine
11:2:2	103-1304-03	1	Plate, Drive Cover
11:2:3	1-803035	5	Rivet-Pop
11:3	103-0368	1	Decal-Devices, Rotating
14	103-0241	1	LH Extended Shield ASM
14:1	1-523285	2	Clip-Baffle, Rear
14:2	103-0243	1	Shield, Engine/Pump Drive
14:3	1-633795-03	1	Baffle-Engine Shield, LH
14:4	1-803035	3	Rivet-Pop
14:5	3256-63	3	Washer-Flat
17	1-643313-03	1	Guard-Muffer
18	103-1513	1	Arrester-Spark
19	103-1514	1	Clamp-Muffer
22	321-4	10	Screw-HH
27	3296-42	6	Nut-Lock, NI
29	3256-2	4	Washer-Flat
33	32128-33	5	Nut-HF
34	1-633396	1	Clip-Loom

Ref. No.	Part No.	Qty.	Description
35	1-809108	2	Screw-HWH
37	1-323236	2	Spacer
43	103-0242	1	RH Extended Shield ASM
43:1	1-523285	2	Clip-Baffle, Rear
43:2	103-0243	1	Shield, Engine/Pump Drive
43:3	1-633794-03	1	Baffle-Engine Shield, RH
43:5	1-803035	3	Rivet-Pop
43:6	3256-63	3	Washer-Flat
44	1-643339	1	Decal-Routing, Belt
45	103-0202	1	Muffer
46	3253-6	2	Washer-Lock
47	324-2	2	Screw-HH
48	9266934	2	Screw
49	1-805005	4	Washer-Lock
50	33014-00	4	Nut-Hex





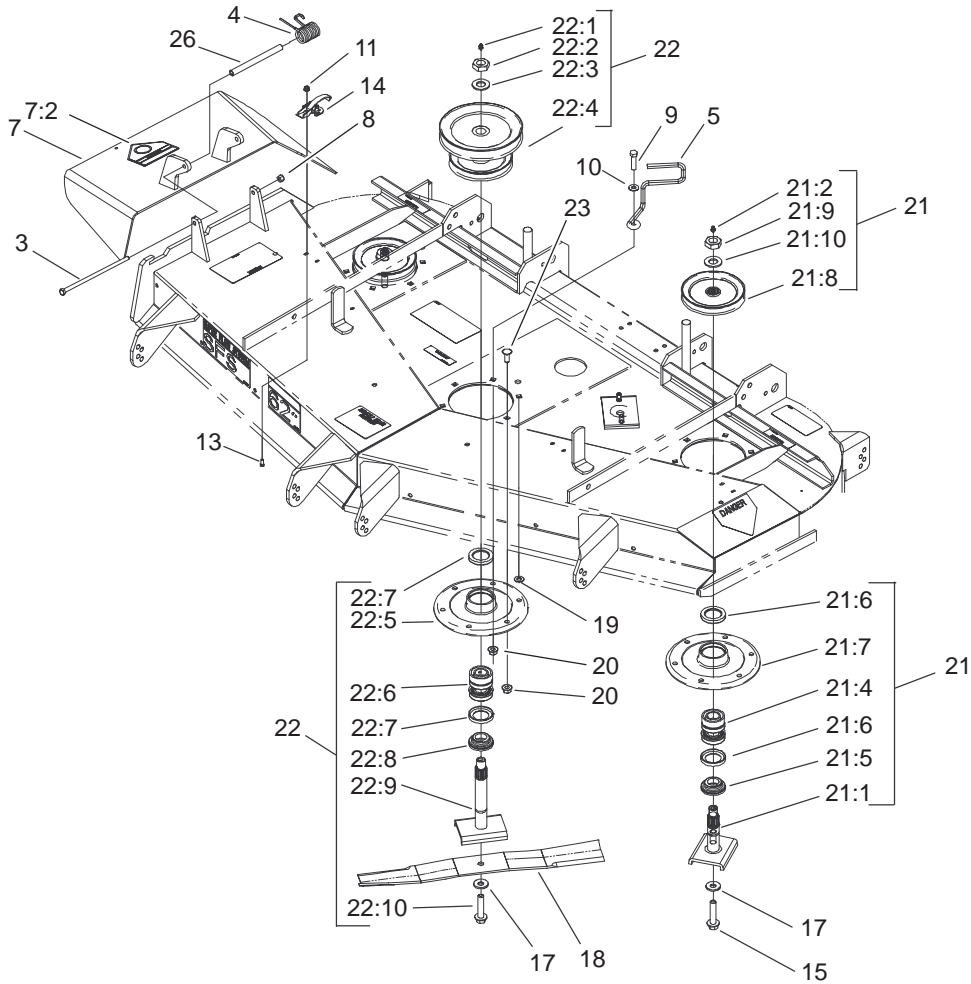
Sheet No.: 26

## Electrical System Assembly

Ref. No.	Part No.	Qty.	Description
1	1-633652-03	1	Strap-Holddown
2	105-1692	1	Battery
2:1	104-4163	1	Decal-Battery
2:2	104-4164	1	Decal-Battery
3	1-543792	2	Wingnut
4	1-633307	1	Wire-Ground
5	1-543391	1	Insulator-Battery
6	1-800282	1	Screw-HH
7	3256-2	2	Washer-Flat
8	32128-20	2	Nut-HF
9	1-523415	1	Spring-Switch, Seat
10	1-522424-03	1	Mount-Spring, Seat
11	321-4	8	Screw-HH
12	32128-33	8	Nut-HF
13	63-8360	2	Key-Ignition
14	1-513152	1	Switch-Closed, Normally
15	1-513180	1	Plate-Switch, Seat
16	3290-500	14	Screw-PPH
17	1-633181	4	Plate-Tapped
18	1-816001	2	Fuse-Type, Blade
19	1-633111	1	Switch
20	1-513051	2	Switch-Open, Normally
21	1-303287	5	Tie-Plastic
22	100-6186	1	Module-Delay, Seat

Ref. No.	Part No.	Qty.	Description
23	88-9830	1	Key Switch ASM
23:1	3254-5	1	Washer-Lock, Internal
23:2	218-461	1	Nut-HH
24	1-513374	1	Meter-Hour
25	1-633673	1	Switch-Delta
26	1-633396	3	Clip-Loom
27	105-3191	1	Harness-Wire
28	1-303335	2	Tie-Plastic
29	1-523281	1	Wire-Starter
30	1-543393	3	Insulator-Solenoid
31	1-633651	2	Bolt-Holddown
32	1-644427	1	Tilt Switch ASM
32:2	1-643401	1	Decal-Switch, Mercury
33	3296-2	6	Nut-Lock
34	1-643275	2	Relay
37	3256-22	1	Washer-Flat
38	1-513075	1	Switch-Solenoid
39	1-633306	1	Wire-Starter
40	321-2	1	Screw-HH



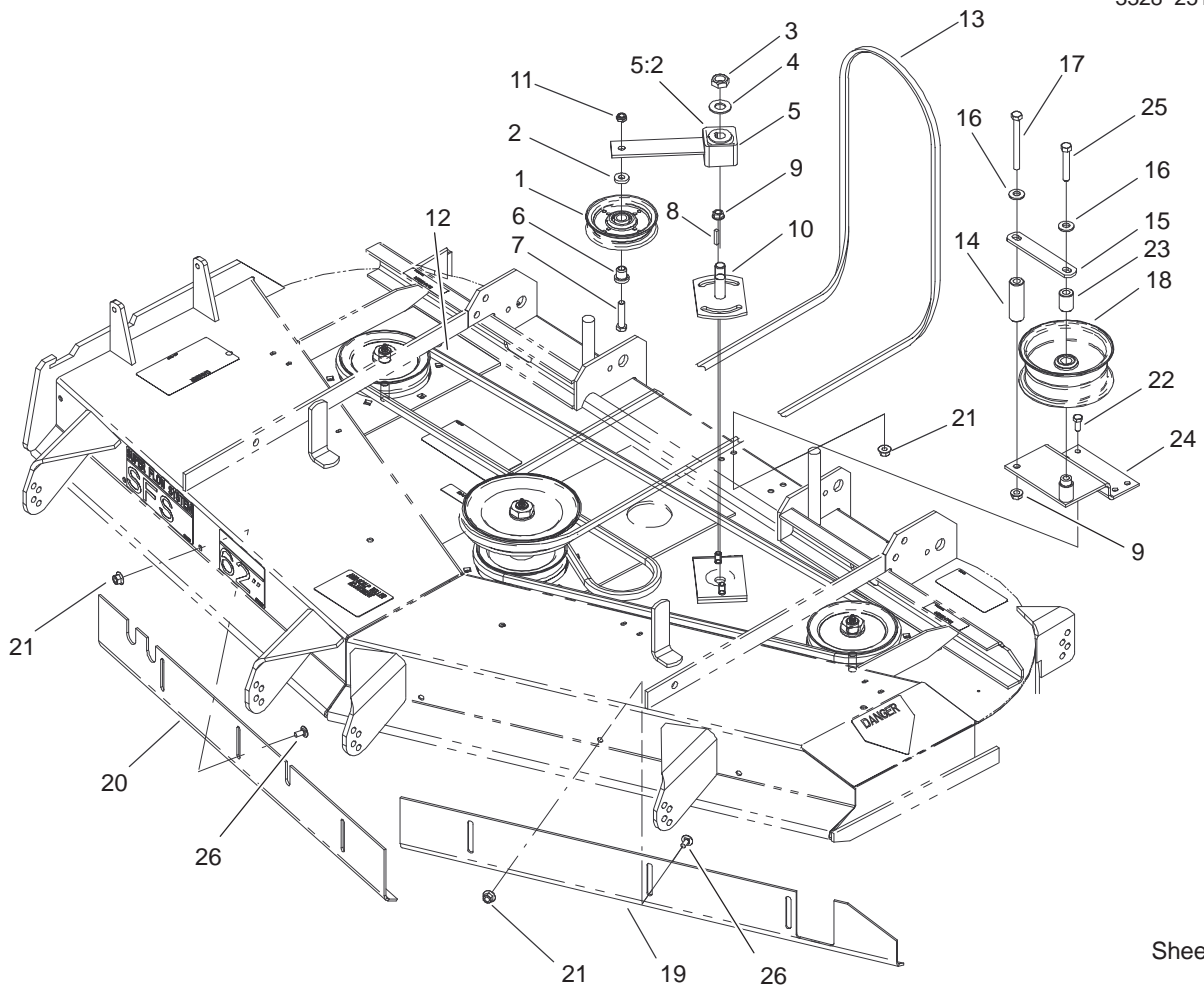


Sheet No.: 62

## Spindle and Pulley Assembly

Ref. No.	Part No.	Qty.	Description
3	322-50	1	Screw-HH
4	104-8554	1	Spring-Torsion
5	99-8933	1	Guide-Belt
7	105-3605	1	Deflector ASM
7:2	93-1122	1	Decal-Danger
8	3296-29	1	Nut-Lock, NI
9	323-8	1	Screw-HH
10	3256-3	1	Washer-Flat
11	32128-17	8	Nut-Lock, Flange
13	3290-321	8	Screw-HWH
14	249-21	4	Clamp-Slotted
15	92-5816	2	Bolt-Blade
17	1-513435	3	Washer-Spring
18	44-6250	3	Blade
19	3256-24	1	Washer-Flat
20	32128-21	18	Nut-HF
21	99-4640	2	Outer Spindle ASM
21:1	27-0920	1	Shaft
21:2	302-2	1	Fitting-Grease
21:4	46-8530	1	Bearing ASM
21:5	27-0950	1	Spacer
21:6	253-139	2	Seal-Oil
21:7	61-4160	1	Housing
21:8	99-4614	1	Pulley And Hub ASM
21:9	32146-20	1	Nut-Jam
21:10	7-4150	1	Washer

Ref. No.	Part No.	Qty.	Description
22	105-1688	1	Spindle Housing ASM
22:1	302-2	1	Fitting-Grease
22:2	32146-20	1	Nut-Jam
22:3	92-5836	1	Washer
22:4	99-4939	1	Pulley And Hub ASM
22:5	61-4160	1	Housing
22:6	46-8530	1	Bearing ASM
22:7	253-139	2	Seal-Oil
22:8	27-0950	1	Spacer
22:9	105-1686	1	Spindle Shaft ASM
22:10	92-5816	1	Bolt-Blade
23	3231-22	17	Screw-CARR
26	105-4622	1	Spacer



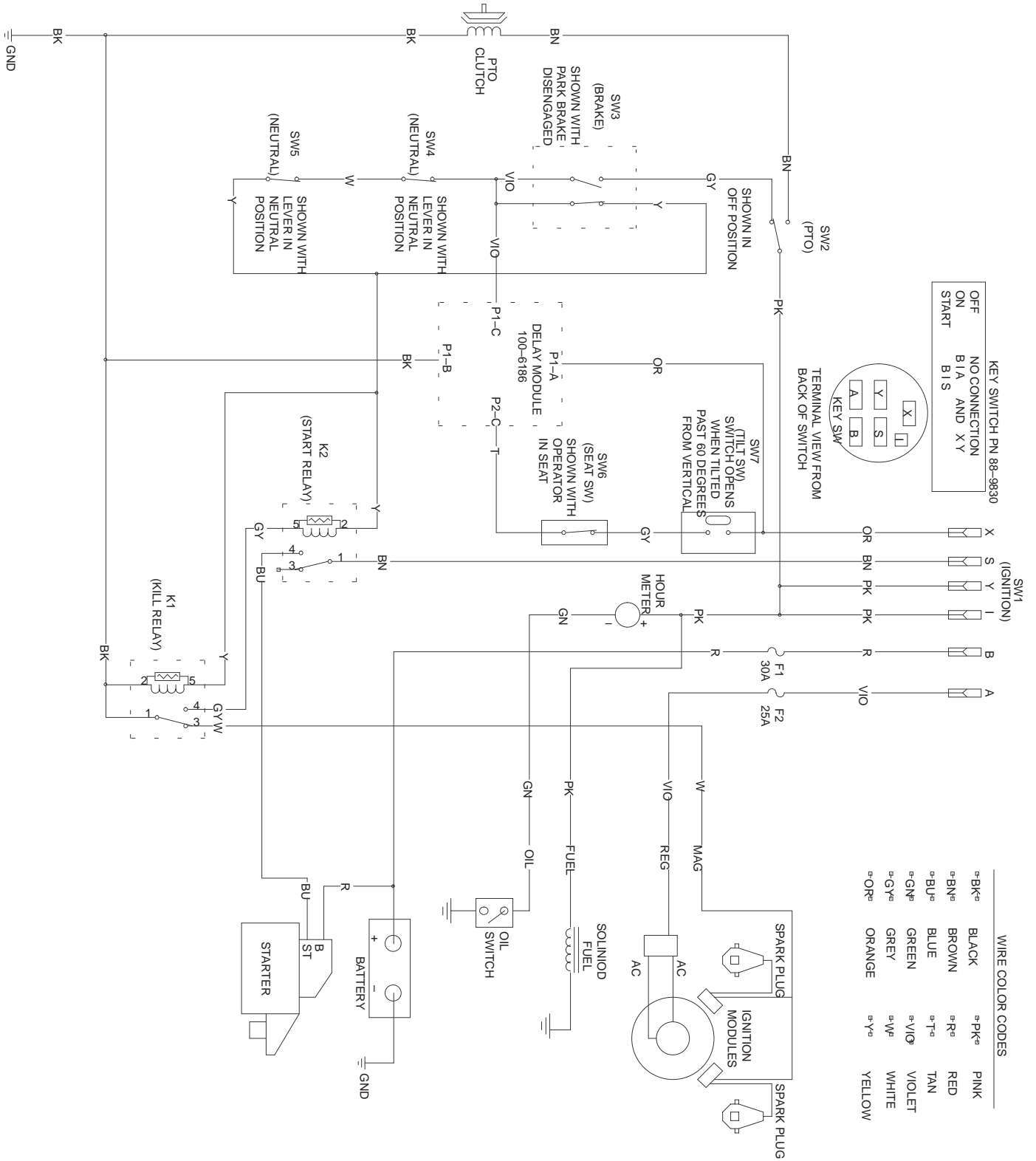
Sheet No.: 63

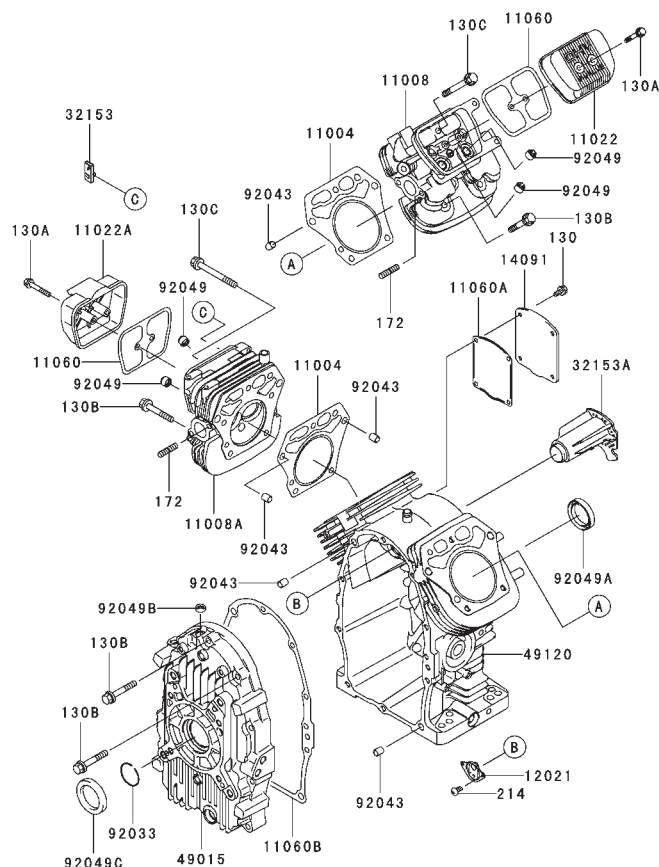
## Belt and Idler Arm Assembly

Ref. No.	Part No.	Qty.	Description
1	65-5940	1	Pulley-Idler
2	7-0081	1	Washer-Flat
3	3296-71	1	Nut-Lock NI
4	3256-27	1	Washer-Flat
5	27-8580	1	Idler Arm ASM
5:2	27-8490	1	Bushing-Rubber
6	65-5950	1	Bushing-Pulley
7	3211-8	1	Screw-HH
8	5-1077	1	Key-Square
9	3290-357	3	Nut-HHF
10	44-6301	1	Plate-Idler, LH
11	3296-5	1	Nut-Lock, NI
12	44-6260	1	V-Belt
13	99-4647	1	V-Belt-Drive, Deck
14	99-4659	1	Spacer-Bracket
15	1-653189	1	Plate
16	98-5975	2	Washer-Belleville
17	323-42	1	Screw-HH
18	1-413099	1	Pulley-Idler
19	99-2833-03	1	Baffle-Front, LH
20	99-2834-03	1	Baffle-Front, RH
21	32128-20	10	Nut-HF
22	322-3	4	Screw-HH
23	1-653190	1	Spacer
24	99-4684-01	1	Bracket-Pulley

Ref. No.	Part No.	Qty.	Description
25	323-11	1	Screw-HH
26	3230-18	6	Screw-CARR

# Electrical Schematic



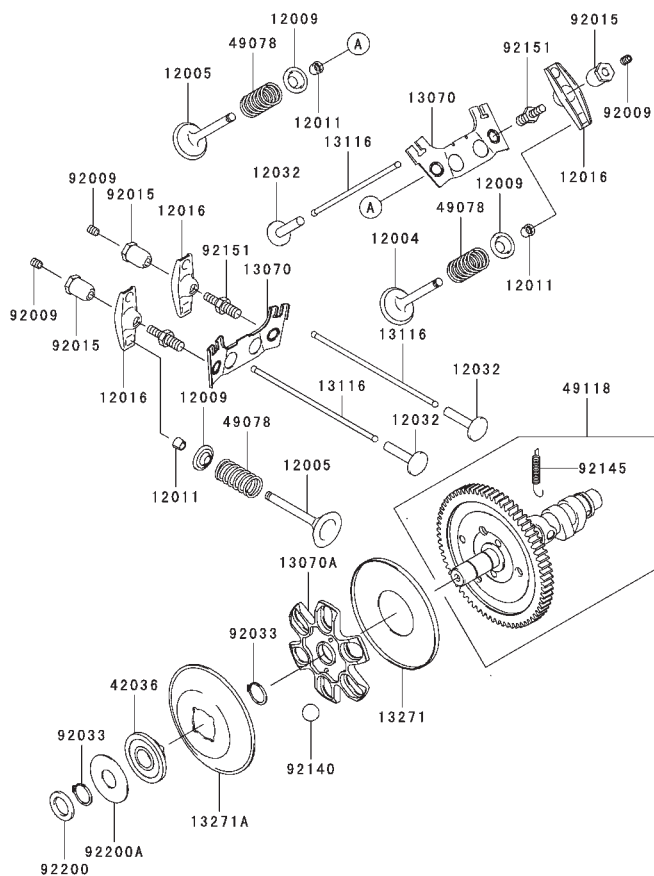


## Cylinder/Crankcase Assembly Kawasaki FH721D-AS05

Ref. No.	Part No.	Qty.	Description	Ref. No.	Part No.	Qty.	Description
11004	11004-7004	2	Gasket-Head	130A	130B0640	4	Bolt-Flanged
11008	11008-7004	1	Head-Comp	130B	130T0850	18	Bolt-Flanged
11008A	11008-7007	1	Cylinder #2	130C	130T0875	2	Bolt-Flanged
11022	11022-7002	1	Cylinder #1	172	172G0818	4	Bolt-Stud
11022A	11022-7004	1	Head-Comp	214	214B0408	2	Screw-Pan
11060	11060-7013	2	Case-Rocker				
11060A	11060-7014	1	Case-Rocker				
11060B	11060-7023	1	Gasket-Rocker, Case				
12021	12021-7002	1	Gasket-Breather				
14091	14091-7004	1	Gasket-Crankcase				
32153	32153-7003	1	Reed Valve ASM				
32153A	32153-7004	1	Cover				
49015	49015-6234	1	Pipe				
49120	49120-6135	1	Pipe				
92033	92033-7004	1	Cover-Crankcase				
92043	92043-7001	6	Crankcase-Comp				
92049	92049-7001	4	Ring-Snap				
92049A	92049-7002	1	Pin				
92049B	92049-7005	1	Seal-Oil				
92049C	92049-7007	1	Seal-Oil				
130	130B0612	4	Seal-Oil				
130A	130B0640	4	Bolt-Flanged				

Obtain Parts From Kawasaki



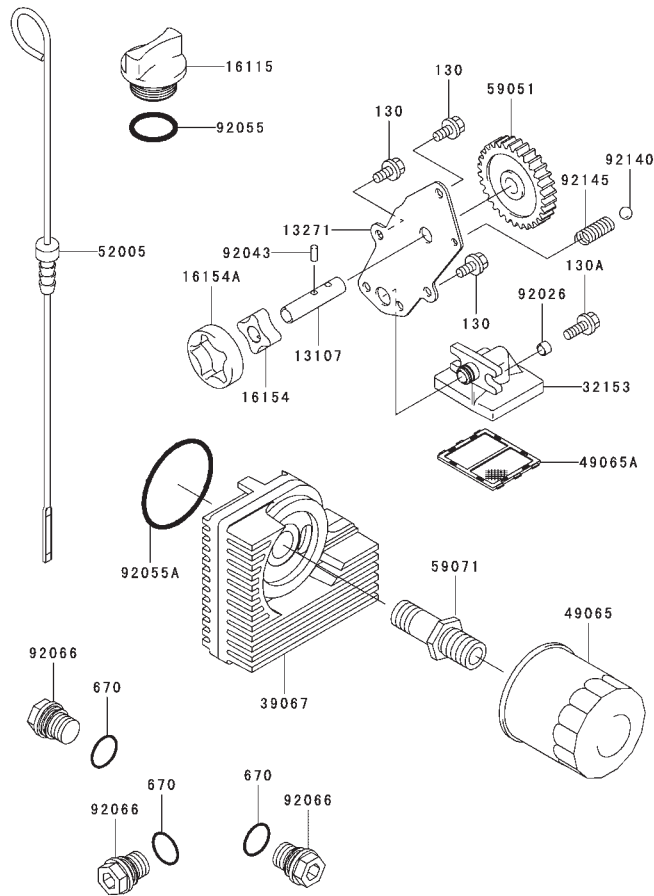


## Valve/Camshaft Assembly Kawasaki FH721D-AS05

Ref. No.	Part No.	Qty.	Description
12004	12004-7002	2	Valve-Intake
12005	12005-7002	2	Valve-Exhaust
12009	12009-7001	4	Retainer-Valve Spring
12011	12011-2056	8	Collet
12016	12016-7006	4	Arm-Rocker
12032	12032-7001	4	Tappet
13070	13070-7007	2	Guide
13070A	13070-7008	1	Arm-Rocker
13116	13116-7002	4	Rod-Push
13271	13271-7007	1	Plate
13271A	13271-7021	1	Plate
42036	42036-7001	1	Sleeve
49078	49078-7002	4	Spring-Engine Valve
49118	49118-7007	1	Camshaft-Comp
92009	92009-2341	4	Screw
92015	92015-2253	4	Nut
92033	92033-7001	2	Ring-Snap
92140	92140-7002	6	Ball
92145	92145-7001	1	Spring
92151	92151-7019	4	Bolt
92200	92200-7001	1	Washer
9200A	92200-7009	1	Washer

Ref. No.	Part No.	Qty.	Description

Obtain Parts From Kawasaki

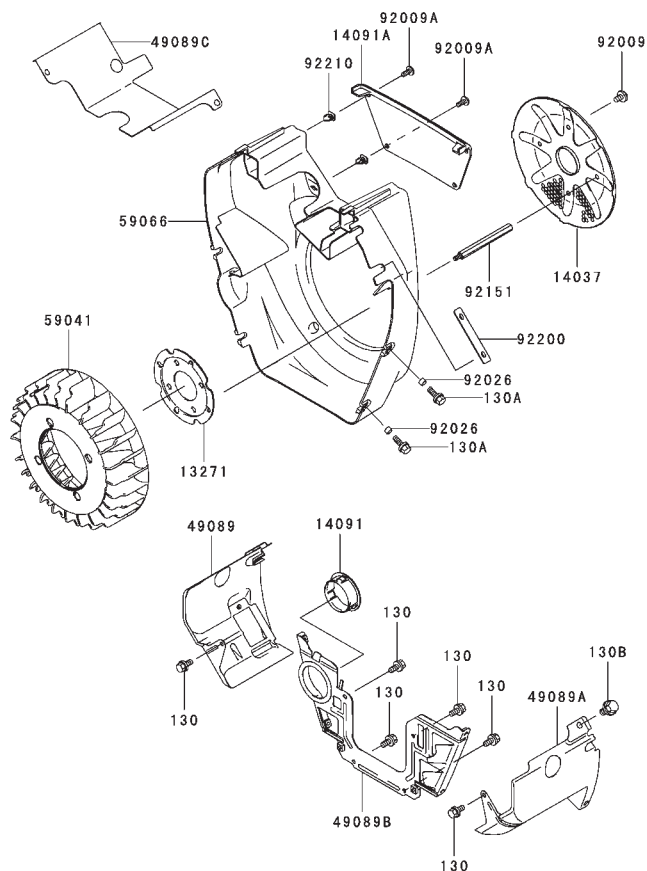


## Lubrication Equipment Assembly Kawasaki FH721D-AS05

Ref. No.	Part No.	Qty.	Description
13107	13107-7009	1	Shaft
13271	13271-7014	1	Plate
16115	16115-7001	1	Cap-Oil Filter
16154	16154-2053	1	Rotor-Pump, In
16154A	16154-2054	1	Rotor-Pump, Out
32153	32153-7002	1	Pipe
39067	39067-7001	1	Cooler-Oil
49065	49065-2078	1	Filter-Oil
49065A	49065-7005	1	Filter-Oil
52005	52005-7003	1	Guage
59051	59051-7004	1	Gear-Spur
59071	59071-7009	1	Joint
92026	92026-7001	2	Spacer
92043	92043-7003	1	Pin
92055	92055-7004	1	O-Ring
92055A	92055-7006	1	O-Ring
92066	92066-7003	3	Plug
92140	92140-7003	1	Ball
92145	92145-7002	1	Spring
130	130B0612	3	Bolt-Flanged
130A	130B0616	2	Bolt-Flanged
670	670D2016	3	O-Ring, 16mm

Ref. No.	Part No.	Qty.	Description

Obtain Parts From Kawasaki

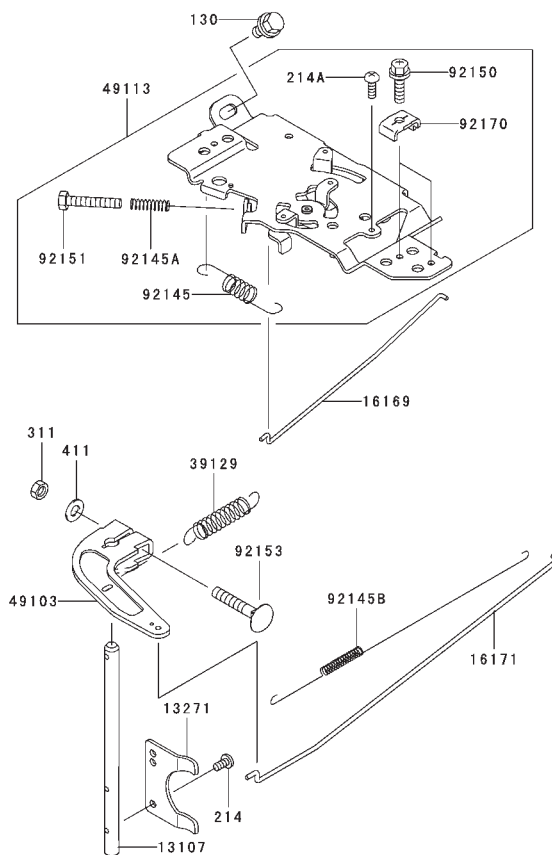


## Cooling Equipment Assembly Kawasaki FH721D-AS05

Ref. No.	Part No.	Qty.	Description	Ref. No.	Part No.	Qty.	Description
13271	13271-7015	1	Plate				
14037	14037-7014	1	Screen				
14091	14091-7002	1	Cover				
14091A	14091-7005	1	Cover				
49089	49089-7004	1	Shroud-Engine				
49089A	49089-7005	1	Shroud-Engine				
49089B	49089-7015	1	Shroud-Engine				
49089C	49089-7019	1	Shroud-Engine				
59041	59041-7004	1	Fan				
59066	59066-7005	1	Housing-Fan				
92009	92009-7008	4	Screw				
92009	92009-7009	4	Screw				
92026	92026-7001	4	Spacer				
92151	92151-7018	4	Bolt				
92200	92200-7011	1	Washer				
92210	92210-7011	4	Nut				
130	130B0612	2	Bolt-Flanged				
130A	130B616	4	Bolt-Flanged				
130B	130B0816	2	Bolt-Flanged				

Obtain Parts From Kawasaki



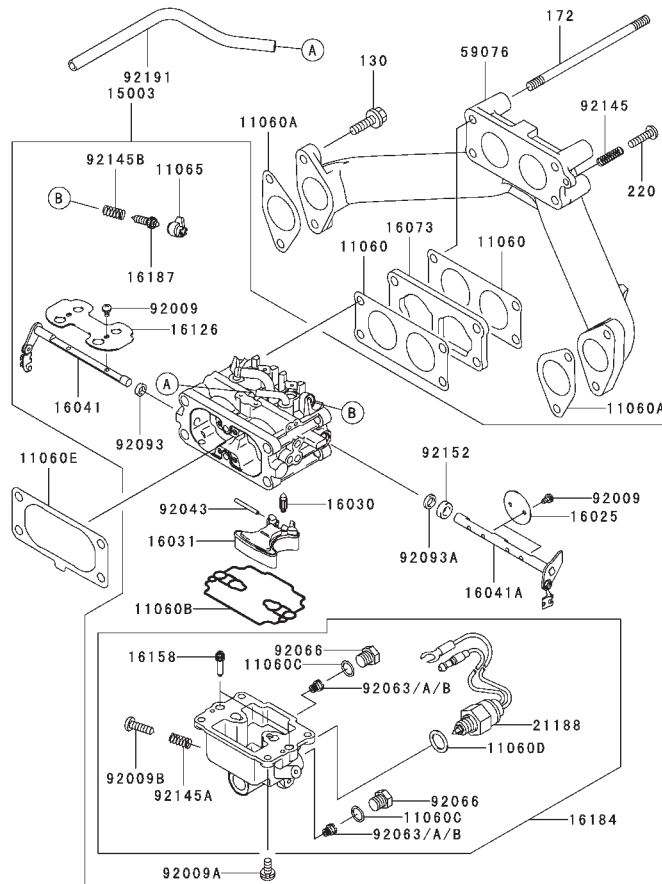


## Control Equipment Assembly Kawasaki FH721D-AS05

Ref. No.	Part No.	Qty.	Description
13107	13107-7011	1	Shaft
13271	13271-7018	1	Plate
16169	16169-7008	1	Link-Choke
16171	16171-7005	1	Link
39129	39129-7004	1	Spring-Governor
49103	49103-7004	1	Arm-Governor
49113	49113-7015	1	Panel-Comp-Control
92145	92145-7004	1	Spring
92145A	92145-7005	1	Spring
92145B	92145-7014	1	Spring
92150	92150-2182	2	Bolt
92151	92151-7014	1	Bolt
92153	92153-7005	1	Bolt
92170	92170-7001	2	Clamp
130	130B0612	2	Bolt-Flanged
214	214B0408	2	Screw-Pan
214A	214B0412	1	Screw-Pan
311	311B0600	1	Nut-Hex
411	411B0600	1	Washer

Ref. No.	Part No.	Qty.	Description

Obtain Parts From Kawasaki

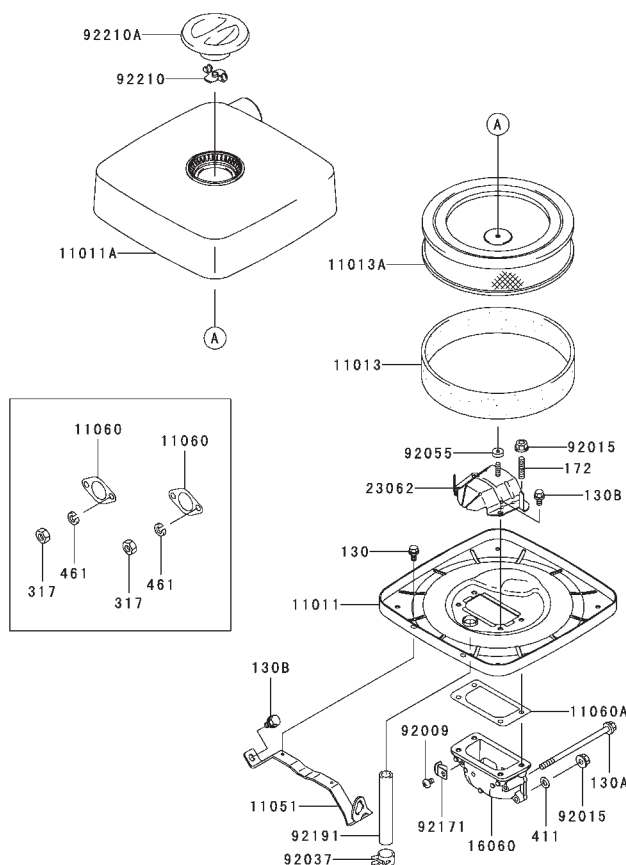


## Carburetor Assembly Kawasaki FH721D-AS05

Ref. No.	Part No.	Qty.	Description
11060	11060-7010	2	Gasket-Carburetor
11060A	11060-7011	2	Gasket-Manifold
11060B	11060-7018	1	Gasket-Float Chamber
11060C	11060-7019	2	Gasket-Main Plug
11060D	11060-7020	1	Gasket-Solenoid
11060E	11060-7025	1	Gasket-Air Filter
11065	11065-7004	2	Cap-Limiter
15003	15003-7042	1	Carburetor ASM
16025	16025-7002	2	Valve-Throttle
16030	16030-7002	1	Valve-Float
16031	16031-7001	1	Float
16041	16041-7011	1	Shaft-Carburetor
16041A	16041-7012	1	Shaft-Carburetor
16073	16073-7003	1	Insulator
16126	16126-7004	1	Valve-Choke
16158	16158-7003	2	Jet-Slow #56
16184	16184-7005	1	Float Chamber ASM
16187	16187-7003	2	Needle-Jet
21188	21188-7001	1	Solenoid
59076	59076-7003	1	Manifold-Intake
92009	92009-7003	6	Screw
92009A	92009-7005	4	Screw
92009B	92009-7006	1	Screw-Drain
92043	92043-7004	2	Pin-Float

Ref. No.	Part No.	Qty.	Description
92063	92063-7012	2	Jet-Main #108
92063A	92063-7013	2	Jet-Main #105
92063B	92063-7014	2	Jet-Main #102
92066	92066-7008	2	Plug-Main Jet
92093	92093-7001	1	Seal
92093A	92093-7002	1	Seal
92145	92145-7005	1	Spring
92145A	92145-7011	1	Spring
92145B	92145-7013	2	Spring
92152	92152-7002	1	Collar
92191	92191-7010	1	Tube
130	130B0620	4	Bolt-Flanged
172	172G06105	2	Bolt-Stud
220	220B0520	1	Screw-Pan

Obtain Parts From Kawasaki

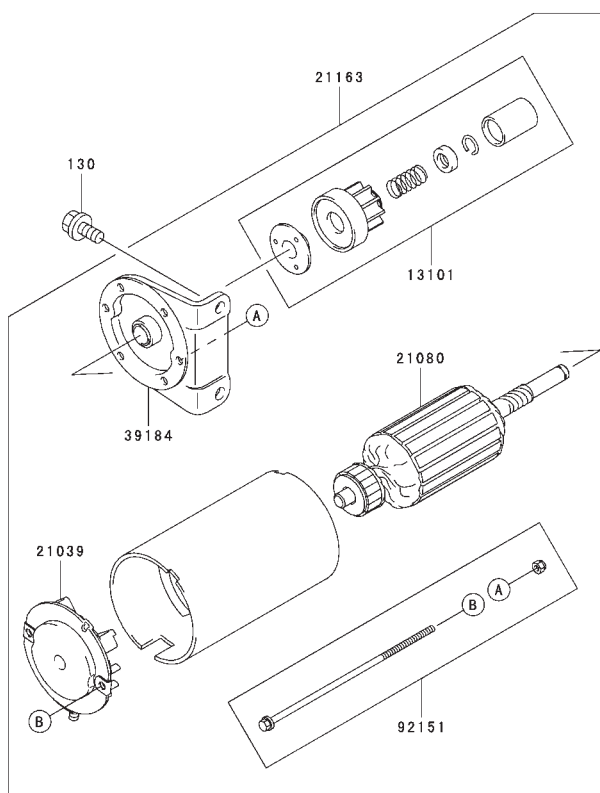


## Air Filter/Muffler Assembly Kawasaki FH721D-AS05

Ref. No.	Part No.	Qty.	Description	Ref. No.	Part No.	Qty.	Description
11011	11011-7004	1	Case-Air Filter				
11011A	11011-7005	1	Case-Air Filter				
11013	11013-7007	1	Element-Air Filter				
11013A	11013-7011	1	Element-Air Filter				
11051	11051-7007	1	Bracket				
11060	11060-7016	2	Gasket-Muffler				
11060A	11060-7022	1	Gasket-A/C Case				
16060	16060-7002	1	Pipe-Intake				
23062	23062-7006	1	Bracket-Comp				
92009	92009-2166	1	Screw				
92015	92015-1193	4	Nut				
92037	92037-2079	1	Clamp				
92055	92055-7005	1	O-Ring				
92171	92171-7003	1	Clamp				
92191	92191-7020	1	Tube				
92210	92210-7004	1	Nut				
92210A	92210-7010	1	Nut				
130	130B0510	2	Bolt-Flanged				
130A	130B0615	2	Bolt-Flanged				
130B	130B0612	4	Bolt-Flanged				
172	172G0612	2	Bolt-Stud				
317	317R0800	4	Nut-Hex				
411	411B0600	1	Washer				
461	461F0800	4	Washer-Spring				

Obtain Parts From Kawasaki



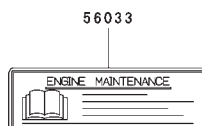


## Starter Assembly Kawasaki FH721D-AS05

Ref. No.	Part No.	Qty.	Description	Ref. No.	Part No.	Qty.	Description
13101	13101-7001	1	Gear ASM				
21039	21039-7001	1	Brush				
21080	21080-7001	1	Armature				
211636	21163-7001	1	Starter-Electric				
39184	39184-7001	1	Bracket ASM				
92151	92151-7013	1	Bolt				
130	130B0816	2	Bolt-Flanged				

Obtain Parts From Kawasaki





## Label Assembly Kawasaki FH721D-AS05

Ref. No.	Part No.	Qty.	Description	Ref. No.	Part No.	Qty.	Description
56033	56033-7001	1	Label-Manual				
56070	56070-7001	1	Label-Warning				
56080	56080-7013	1	Label-Brand				

Obtain Parts From Kawasaki

