



ProLine Mid Size Gear 12.5hp

Traction Unit

Model No. 30165—230000001 and Up

Parts Catalog

Ordering Replacement Parts

To order replacement parts, please supply: the part number, the quantity, and the description of each part desired.

Understanding Reference Numbers

Each identified part in an illustration has a reference number. The reference number for a part also appears in the parts list, along with other information about the part.

This catalog uses two special reference number formats, one to indicate parts in a service assembly and another to indicate the quantity of a given part in an illustration.

Service Assembly Reference Numbers

Parts in service assemblies have reference numbers in the form **a:b**. The **a** represents the reference number of the entire service assembly and the **b** represents a sequential number unique to each part within the service assembly.

For example, a wheel assembly might be identified by reference number **6**, the tire by **6:1**, the valve by **6:2**, and the wheel by **6:3**. When you order the assembly identified by reference number **6**, you receive all parts identified by reference numbers **6:1**, **6:2**, and **6:3**. However, you may also order any part individually.

Reference numbers of this type appear in illustrations and in part lists.

Reference Numbers Indicating Quantity

In an illustration, if a reference number indicates more than one part, the reference number has the form **nX y**. The **n** represents the quantity of the part, the **X** is the multiplication symbol, and the **y** represents the reference number.

For example, in an illustration, the reference number **2X 37** means that two of the parts identified by reference number **37** are indicated.

Contents

Description	Page	Description	Page
Fuel Tank and Idler Bracket Assembly	3	Cooling Equipment Assembly	
Transmission and Idler Pulley Assembly	4	Kawasaki Model FB460V-LS08	13
Brake Pulley and Wheel Assembly	5	Electric Equipment Assembly	
Wheel and Tire Assembly	6	Kawasaki Model FB460V-LS08	14
Handle and Control Panel Assembly	7	Control Equipment Assembly	
Engine, Clutch and Muffler Guard Assembly ..	8	Kawasaki Model FB460V-LS08	15
Crankcase Assembly – Kawasaki Model		Carburetor Assembly	
FB460V-LS08	9	Kawasaki Model FB460V-LS08	16
Piston and Crankshaft Assembly		Air Filter Assembly	
Kawasaki Model FB460V-LS08	10	Kawasaki Model FB460V-LS08	17
Valve and Camshaft Assembly		Starter Assembly	
Kawasaki Model FB460V-LS08	11	Kawasaki Model FB460V-LS08	18
Lubrication Equipment Assembly		Muffler Assembly	
Kawasaki Model FB460V-LS08	12	Kawasaki Model FB460V-LS08	19

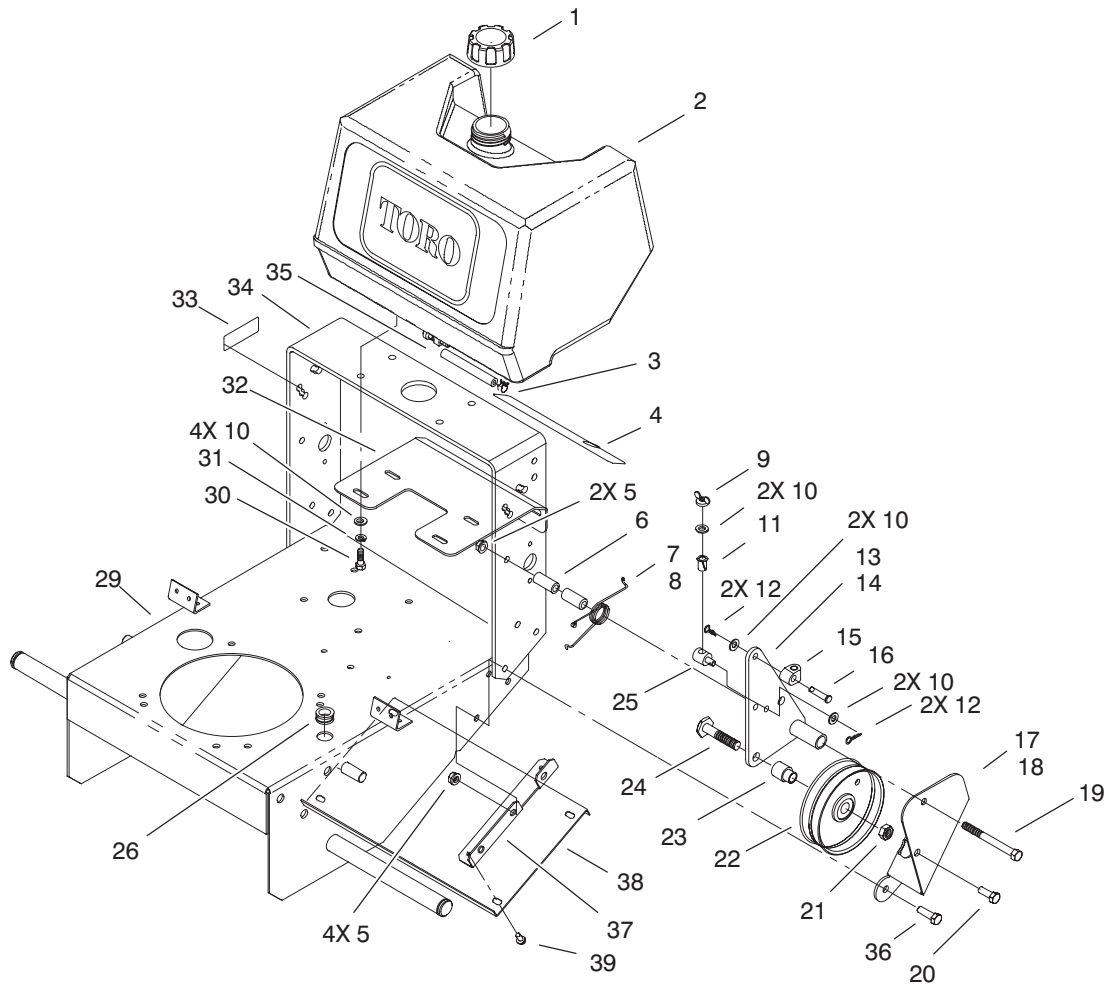
Accessories

Description	Model / Part No.	Description	Model / Part No.
36in Cutting Unit	30138	Steel Bagging Kit for 36in and 44in Deck	30107
44in Cutting Unit	30147	Cloth Bagging Kit for 36in and 44in Decks	30104

Part Description Abbreviations

Part descriptions in this catalog may include the following abbreviations.

Abbreviation	Meaning	Abbreviation	Meaning
AR	as required	HYD	hydraulic
ASM	assembly	INC	incorporated
CARR	carriage	LH	left hand
DEG	degrees	NI	nylon insert
FH	flat head	PPH	Phillips pan head
GA	gauge	PTH	Phillips truss head
HF	hex flange	PTO	power take off
HH	hex head	RH	right hand
HHF	hex head flange	SFH	slotted fillister head
HLH	hex lag head	SHH	slotted hex head
HJ	hex jam	SQH	square head
HOC	height-of-cut	SHWH	slotted hex washer head
HS	hex socket	SPH	slotted pan head
HSBH	hex socket button head	SRH	slotted round head
HSFH	hex socket flat head	STD	standard
HSH	hex socket head	TAP	self tapping
HWH	hex washer head	TTH	Torx truss head
HWHTF	hex washer head thread forming	WH	wing head

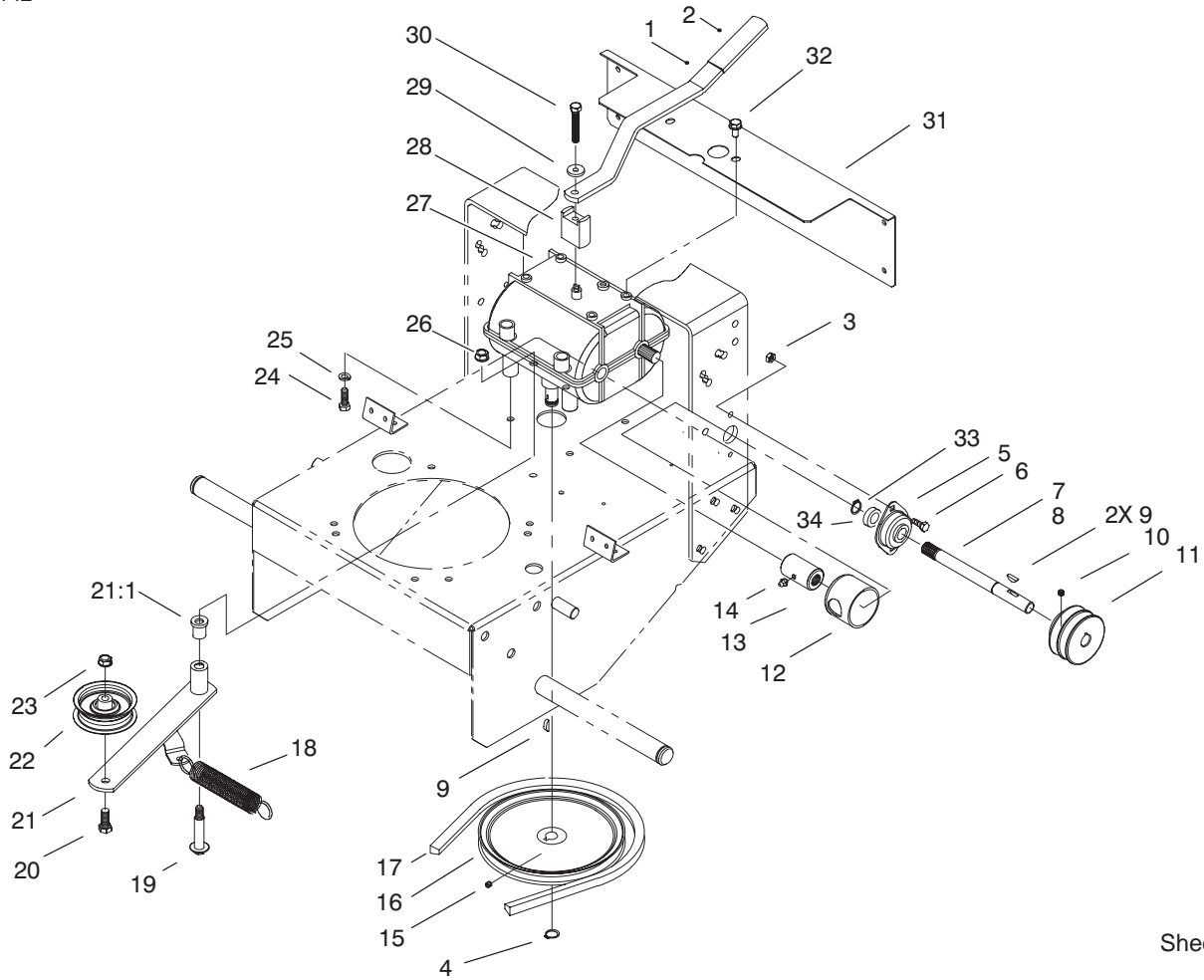


Sheet No.: 2

Fuel Tank and Idler Bracket Assembly

Ref. No.	Part No.	Qty.	Description
1	55-3570	1	Gas Cap ASM
2	95-2802	1	Tank-Fuel
3	2412-98	2	Clamp
4	93-7297	1	Decal-Speed, Ground
5	3296-39	6	Nut-Lock, NI
6	74-0040	4	Spacer-Pivot, Idler
7	51-4370	1	Spring-Torsion, RH
8	51-4380	1	Spring-Torsion, LH
9	32103-25	2	Nut-Wing
10	3256-23	10	Washer-Flat
11	52-2890	2	Bushing-Nylon
12	3290-307	4	Pin-Hair
13	74-0230-01	1	Bracket-Idler, RH
14	74-0220-01	1	Bracket-Idler, LH
15	74-0521	2	Fitting-Rod
16	283-6	2	Pin-Clevis
17	67-6370-01	1	Bracket-Support, RH
18	67-6380-01	1	Bracket-Support, LH
19	323-16	2	Screw-HH
20	323-6	2	Screw-HH
21	3296-23	2	Nut-Lock, NI
22	95-2800	2	Pulley-Idler
23	95-2801	2	Spacer-Pulley
24	51-4450	2	Screw-Leveler
25	68-9690	2	Fitting-Rod
26	237-124	1	Grommet

Ref. No.	Part No.	Qty.	Description
29	93-7438-01	1	Frame
30	322-4	4	Screw-HH
31	3253-4	4	Washer-Lock
32	66-7400-01	1	Plate-Control
33	93-9353	1	Decal-Shut Off, Fuel
34	74-0360-01	1	Frame-Rear
35	47-2982	1	Hose-Fuel
36	323-7	4	Screw-HH
37	93-7436-03	2	Angle-Mounting
38	93-7437-01	1	Panel-Bottom
39	12-3270	4	Screw

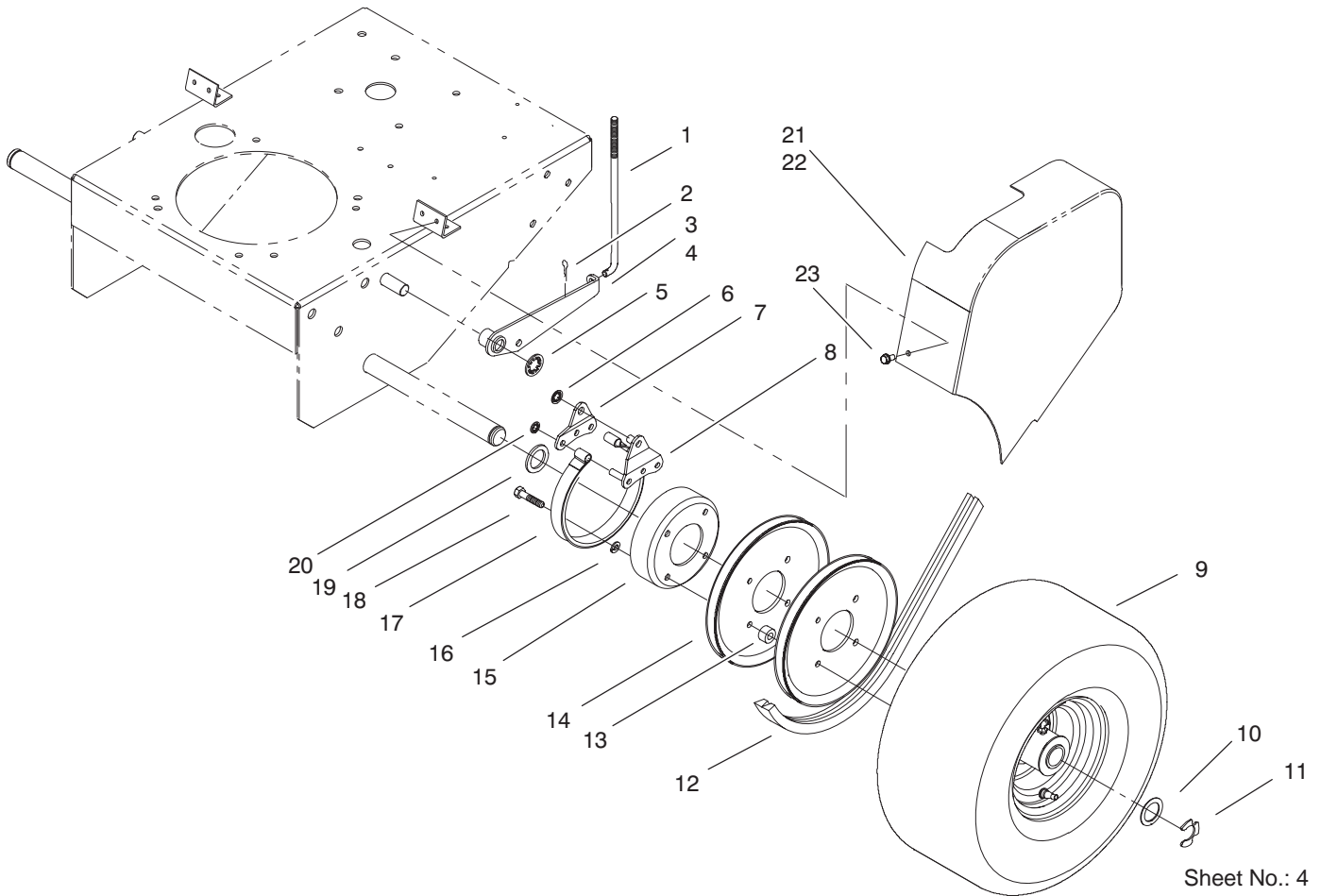


Sheet No.: 3

Transmission and Idler Pulley Assembly

Ref. No.	Part No.	Qty.	Description
1	74-0320-01	1	Lever-Shift
2	47-1970	1	Grip
3	3296-42	4	Nut-Lock, NI
4	32120-64	1	Ring-Snap, External
5	1-323254	2	Flange-Output
6	321-4	4	Screw-HH
7	98-0788	1	Shaft-Extension, RH
8	98-0787	1	Shaft-Extension, LH
9	3257-5	3	Key-Woodruff
10	3245-3	2	Screw-Set, HS
11	105-0828	2	Pulley-Transmission
12	51-4220	2	Guard-Coupler
13	1-323680	2	Coupler
14	302-5	2	Fitting-Grease
15	3245-1	1	Screw-Set, HSH
16	51-4190	1	Pulley-Driven
17	26-9671	1	V-Belt
18	68-2190	1	Spring
19	27-6230	1	Bolt-Wheel
20	323-8	1	Screw-HH
21	16-7509	1	Lever-Idler
21:1	256-155	2	Bushing-Flange
22	62-4540	1	Pulley
23	3296-39	1	Nut-Lock, NI
24	322-2	4	Screw-HH
25	3253-4	4	Washer-Lock

Ref. No.	Part No.	Qty.	Description
26	3296-6	1	Nut-Lock, NI
27	98-0791	1	Transmission
28	72-2190	1	Mount-Lever, Shift
29	7-5461	1	Spacer
30	329-10	1	Screw-HH
31	93-7431-03	1	Guard-Shaft
32	32144-14	2	Screw-HWH
33	32151-52	2	Ring-Retaining
34	1-323252	2	Bearing-Shaft



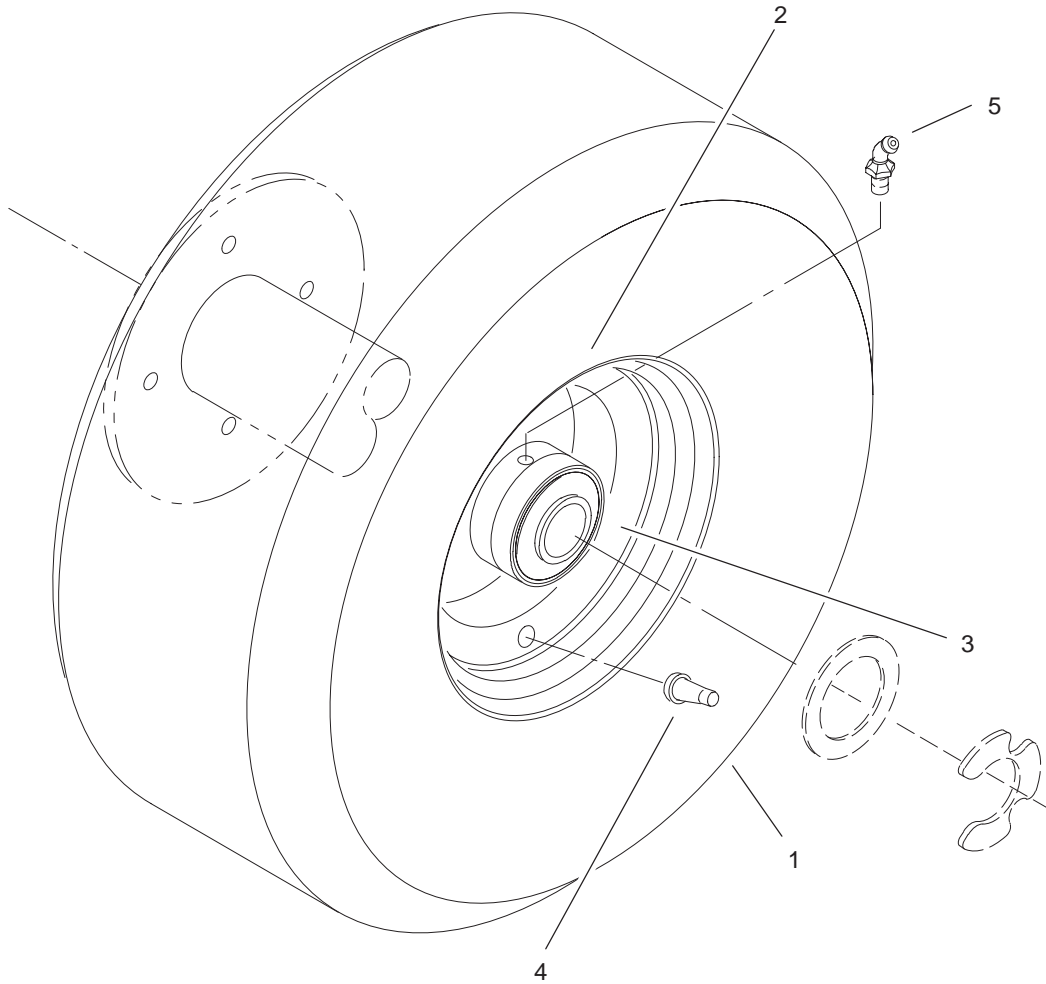
Sheet No.: 4

Brake Pulley and Wheel Assembly

Ref. No.	Part No.	Qty.	Description
1	51-4580	2	Rod-Brake
2	3290-307	2	Pin-Hair
3	51-4600-01	1	Arm-Brake, RH
4	51-4610-01	1	Arm-Brake, LH
5	32151-40	2	Ring-Retaining
6	32151-56	2	Ring-Retaining, External
7	51-4660-01	2	Plate-Link, Brake
8	51-4650-01	2	Link-Brake
☆9		2	Wheel And Tire ASM
10	10-8110	2	Washer-Thrust
11	32151-91	2	Ring-Retaining
12	51-4290	2	V-Belt
13	51-4170	8	Spacer-Pulley
14	51-4160-03	4	Pulley-Wheel
15	51-4180-03	2	Drum-Brake
16	3253-4	8	Washer-Lock
17	51-4700	2	Band-Brake
18	322-7	8	Screw-HH
19	51-4230	2	Washer-Wheel
20	32151-72	4	Ring-Retaining
21	93-7433	1	Guard-Belt, RH
22	93-7434	1	Guard-Belt, LH
23	12-3270	6	Screw

Ref. No.	Part No.	Qty.	Description

☆ Not serviced separately

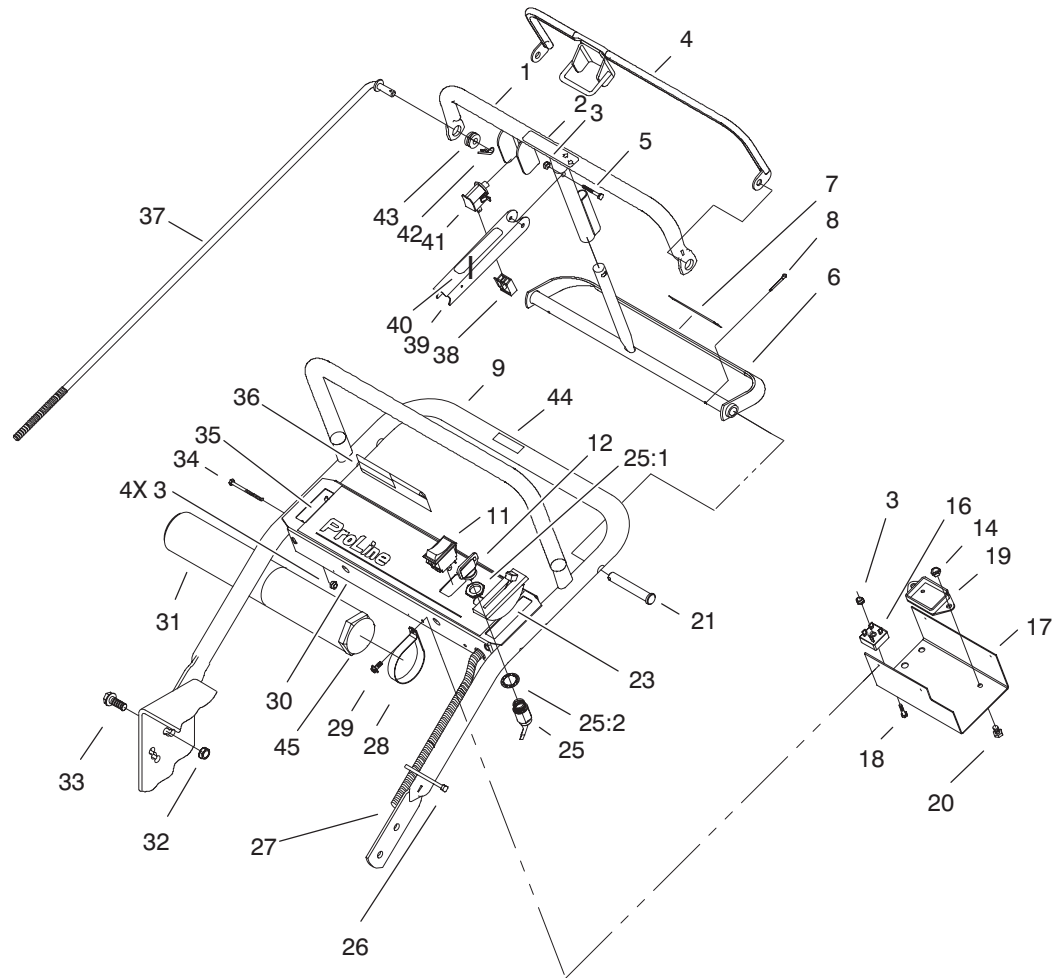


Sheet No.: A1
T-xxxx

Wheel and Tire Assembly

Ref. No.	Part No.	Qty.	Description
1	231-111	1	Tire
2	242-80	1	Wheel And Hub ASM
3	92-1746	2	Bearing-Ball
4	232-27	1	Stem-Valve
5	302-11	1	Fitting-Lube, 45°

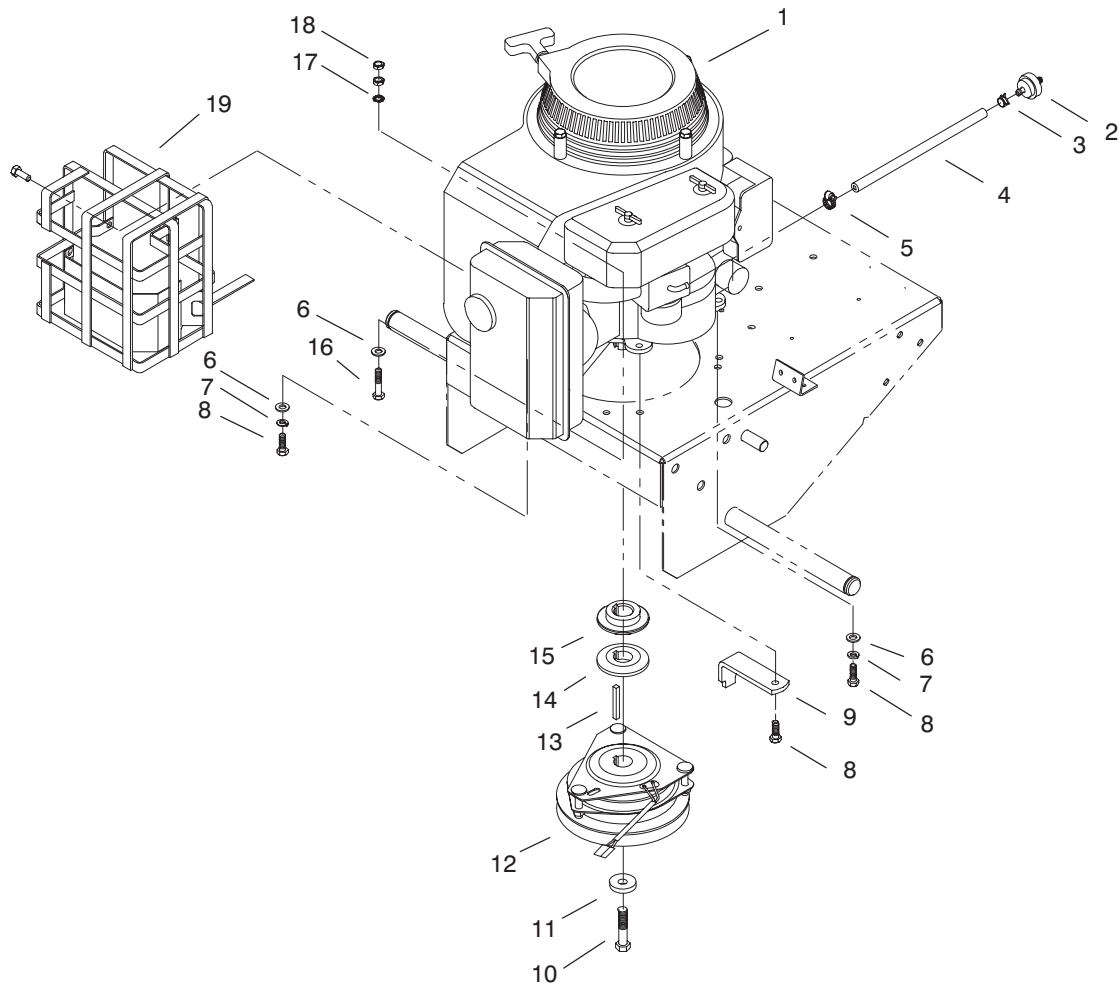
Ref. No.	Part No.	Qty.	Description



Sheet No.: 5

Handle and Control Panel Assembly

Ref. No.	Part No.	Qty.	Description	Ref. No.	Part No.	Qty.	Description
1	82-7690-03	1	Bar-Control	30	82-2180-03	1	Panel-Control
2	93-7298	1	Decal-Bar, Control	31	104-7050	1	Housing-Manual
3	3296-2	6	Nut-Lock	32	32128-21	4	Nut-HF
4	82-7680-03	1	Bail	33	3234-11	4	Screw-HHF
5	32105-1	1	Screw-SHH	34	32105-14	4	Screw
6	106-5477-03	1	Control Pivot ASM	35	106-0685	1	Decal-Control Panel
7	93-7299	1	Decal-Reverse	36	93-6657	1	Decal-Danger
8	3272-11	2	Pin-Cotter	37	82-7631	2	Rod-Control
9	67-6440-01	1	Handle-Upper	38	218-595	1	Connector-Body
11	104-8140	1	Switch-PTO	39	51-4850-03	1	Lever-Brake, Parking
12	63-8360	2	Key-Ignition	40	93-7442	1	Decal-Lever, Parking
14	3296-42	1	Nut-Lock, NI	41	82-2190	1	Switch-Bail
16	37-7600	1	Rectifier-Bridge	42	3290-307	2	Pin-Hair
17	93-1187-03	1	Panel-Bottom	43	237-141	2	Grommet-Rubber
18	32105-13	1	Screw-SHH	44	98-4387	1	Decal-Protection, Ear
19	104-8141	1	Module-Delay	45	104-7048	1	Cap-Housing
20	321-2	1	Screw-HH				
21	283-55	2	Pin-Clevis				
23	74-0740	1	Control-Throttle				
25	29-5560	1	Switch-On/Off				
25:1	218-461	1	Nut-HH				
25:2	3254-5	1	Washer-Tooth				
26	3290-378	2	Tie-Cable				
27	104-8135	1	Harness-Wire				
28	2412-120	2	R-Clamp				
29	32104-76	4	Screw				

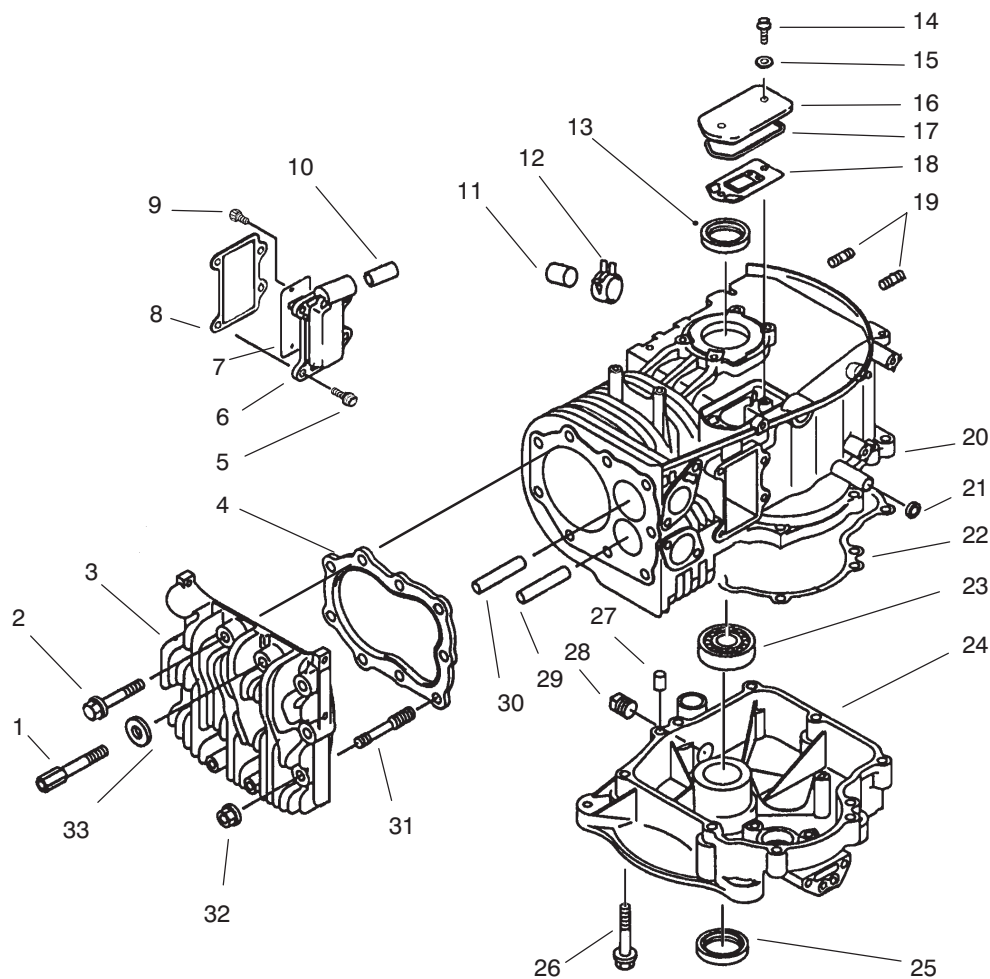


Sheet No.: 6

Engine, Clutch and Muffler Guard Assembly

Ref. No.	Part No.	Qty.	Description
1	105-3104	1	Engine-12.5 Kawasaki
2	56-6360	1	Filter-Fuel
3	2412-98	1	Clamp
4	47-2982	1	Hose-Fuel
5	2412-108	1	Clamp-Worm
6	3256-23	3	Washer-Flat
7	3253-4	2	Washer-Lock
8	33114-025	3	Screw-HH
9	51-4540-03	1	Retainer-Clutch
10	57-6360	1	Screw-Clutch
11	112843	1	Washer
12	105-2635	1	Clutch/Brake
13	92-5436	1	Key
14	74-0050	1	Sheave-Half, Lower
15	74-0060	1	Sheave-Half, Upper
16	57-6370	1	Screw
17	3255-8	1	Washer-Lock
18	57-6390	2	Nut-Jam
19	105-0857-03	1	Muffler Guard ASM

Ref. No.	Part No.	Qty.	Description

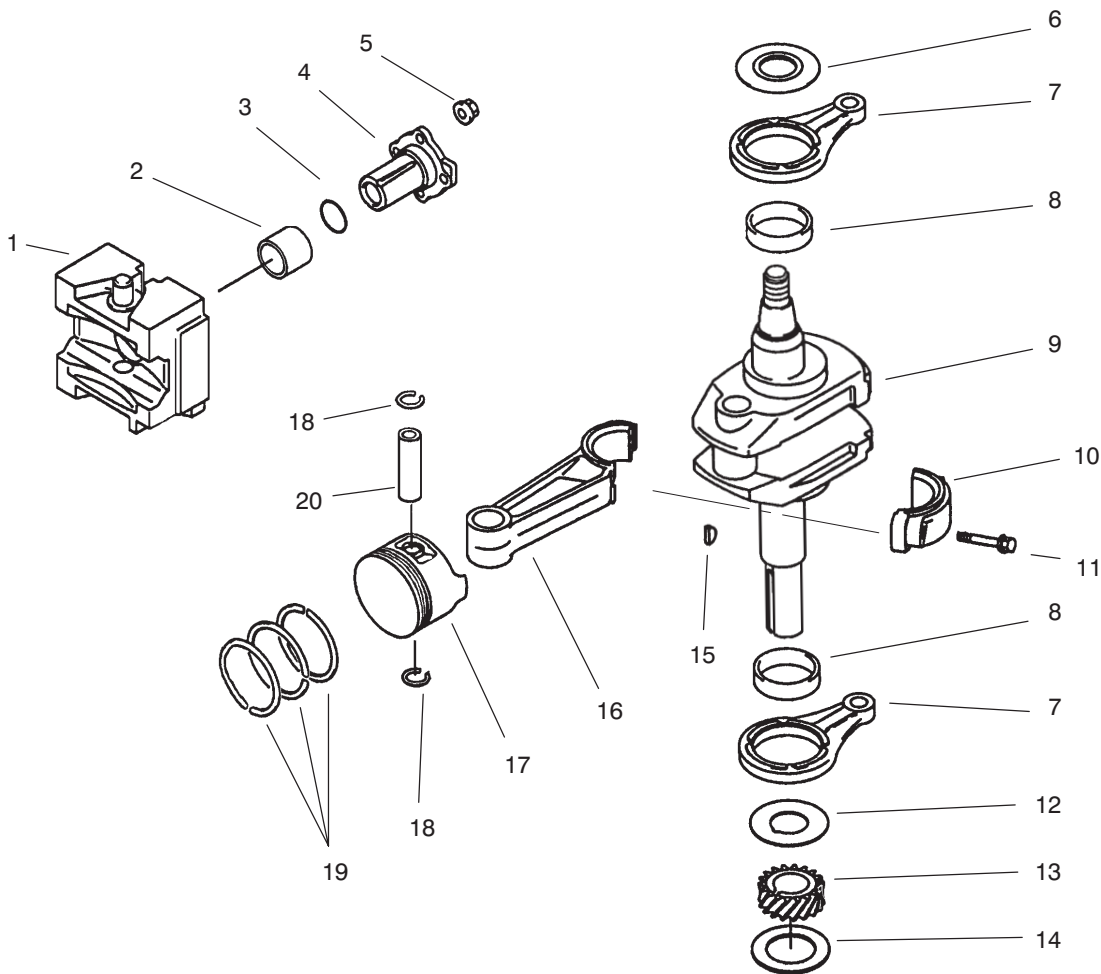


Crankcase Assembly – Kawasaki Model FB460V-LS08

Ref. No.	Part No.	Qty.	Description
1	92002-2258	2	Bolt
2	130g1055	4	Bolt-Flange
3	11001-2151	1	Head-Cylinder
4	11004-2091	1	Gasket-Head
5	130g0616	4	Bolt-Flange
6	49108-2011	1	Cover-Valve Chamber
7	14025-2143	1	Cover
8	11060-2059	1	Gasket
9	92009-2307	2	Screw
10	92059-2142	1	Tube
11	92066-2096	1	Plug
12	92170-2088	1	Clamp
13	92049-2096	1	Seal-Oil
14	92002-2087	2	Bolt
15	11060-2323	2	Gasket
16	14025-2040	1	Cover-Breather
17	11009-2339	1	Gasket-Cover
18	14069-2062	1	Breather
19	92004-2083	4	Stud-6 X 14
20	49120-6108	1	Crankcase-Complete
21	92049-2097	1	Seal-Oil
22	11060-2015	1	Gasket-Crankcase
23	601a6207	1	Bearing-Ball
24	49015-6176	1	Cover-Crankcase
25	92049-2227	1	Seal-Oil
26	130g0845	8	Bolt-Flange

Ref. No.	Part No.	Qty.	Description
27	92043-1263	2	Pin
28	92066-2097	1	Plug
29	49002-2071	1	Guide-Valve Exhaust
30	49002-2070	1	Guide-Valve Intake
31	92004-2082	3	Stud
32	92015-2115	3	Nut
33	410b1000	2	Washer-Plain

*Order Parts from Kawasaki

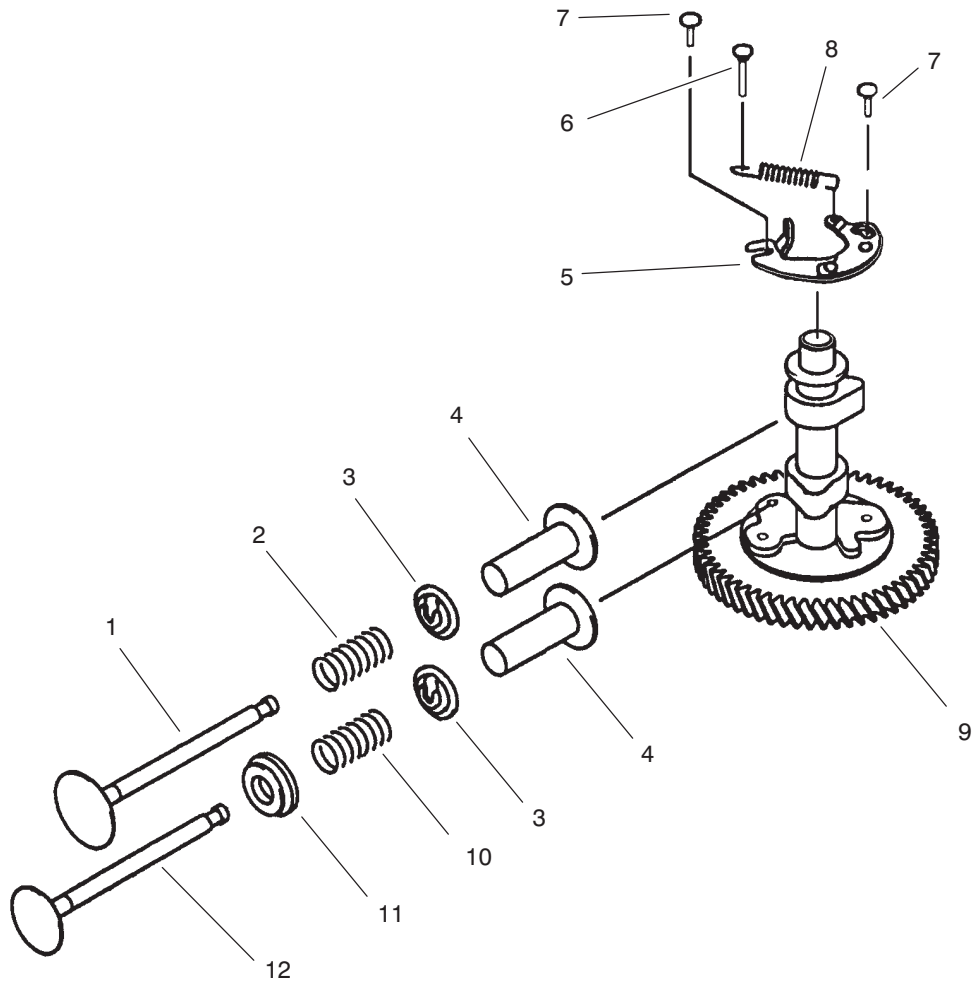


Piston and Crankshaft Assembly Kawasaki Model FB460V-LS08

Ref. No.	Part No.	Qty.	Description
1	13042-6006	1	Weight Incl #2
2	92141-2097	1	Bearing-Plane
3	92055-2072	1	O-Ring
4	13107-2253	1	Shaft
5	92015-1193	4	Nut
6	92026-2164	1	Spacer
7	46102-6007	2	Rod Incl #8
8	92141-2108	2	Bearing-Plane
9	49119-2177	1	Crankshaft ASM
11	92050-2193	2	Bolt
12	92026-2156	1	Spacer
13	59056-2105	1	Gear-Helical
14	92025-2145	A/R	Shim T=1.18
14	92025-2146	A/R	Shim T=1.25
14	92025-2147	A/R	Shim T=1.32
14	92025-2148	A/R	Shim T=1.39
14	92025-2149	A/R	Shim T=1.46
14	92025-2150	A/R	Shim T=1.53
14	92025-2151	A/R	Shim T=1.60
14	92025-2152	A/R	Shim T=1.67
14	92025-2153	A/R	Shim T=1.74
14	92180-2015	A/R	Shim T=1.11
14	92180-2016	A/R	Shim T=1.81
15	92038-2094	1	Key

Ref. No.	Part No.	Qty.	Description
16	13251-6005	1	Rod ASM Incl #10 11
16	13251-6007	A/R	Rod ASM Incl #10 11 0.50
17	13001-2084	1	Piston
17	13029-2019	A/R	Piston 0.25
17	13029-2020	A/R	Piston 0.50
18	92033-2066	2	Ring-Snap
19	13008-6001	1	Set-Ring Piston
19	13008-6002	A/R	Set-Ring Piston 0.25
19	13008-6003	A/R	Set-Ring Piston 0.50
20	13002-2066	1	Pin-Piston

*Order Parts from Kawasaki

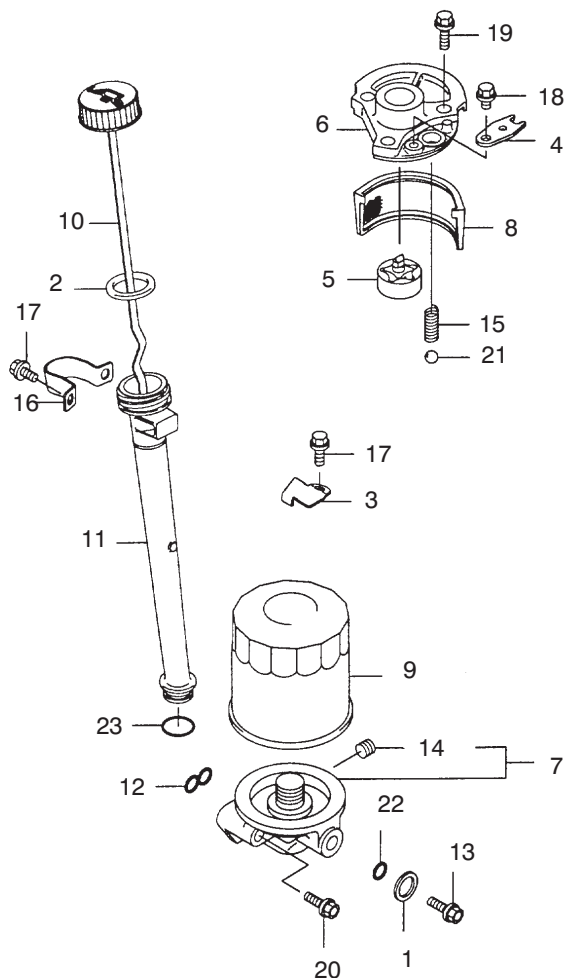


Valve and Camshaft Assembly Kawasaki Model FB460V-LS08

Ref. No.	Part No.	Qty.	Description
1	12004-2076	1	Valve-Intake
2	49078-2059	1	Spring-Valve
3	39108-2054	2	Retainer-Spring
4	12032-2058	2	Tappet
5	21118-2068	1	Decompressor
6	92043-2167	1	Pin
7	92043-2113	2	Pin
8	92144-2171	1	Spring
9	49118-2134	1	Camshaft Incl # 5-8
10	49078-2058	1	Spring-Valve
11	12039-2052	1	Rotator
12	12005-2066	1	Valve-Exhaust

Ref. No.	Part No.	Qty.	Description

*Order Parts from Kawasaki

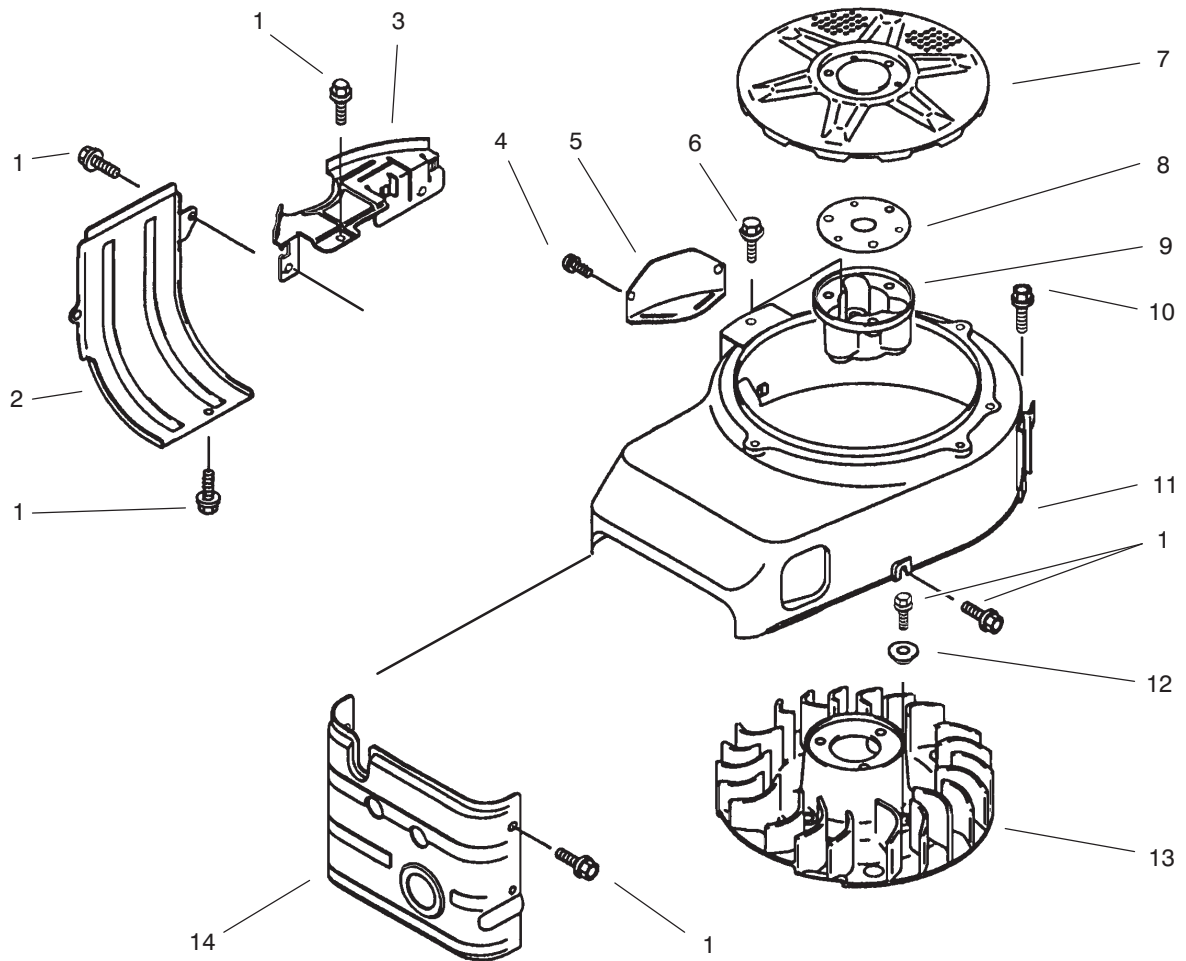


Lubrication Equipment Assembly Kawasaki Model FB460V-LS08

Ref. No.	Part No.	Qty.	Description
1	11009-2175	1	Gasket
2	11009-2346	1	Gasket-Oil Gauge
3	13169-2359	1	Plate
4	13270-2054	1	Plate
5	16082-2057	1	Pump Assy-Oil
6	16142-6001	1	Cover-Pump
7	23062-6001	1	Bracket-Comp
8	49065-2056	1	Filter-Oil
9	49065-2071	1	Filter-Oil
10	52005-2058	1	Gauge-Oil
11	59231-2059	1	Filler
12	92055-2063	1	Ring-O
13	92066-2093	1	Plug
14	92066-2211	1	Plug
15	92081-2216	1	Spring
16	92170-2014-9H	1	Clamp
17	130B0508	3	Bolt-Flanged
18	130B610	1	Bolt-Flanged
19	130G0825	3	Bolt-Flanged
20	130G0845	2	Bolt-Flanged
21	600A1000	1	Ball-Steel
22	670D1507	1	O Ring
23	670D2016	1	O Ring

Ref. No.	Part No.	Qty.	Description

*Order Parts from Kawasaki

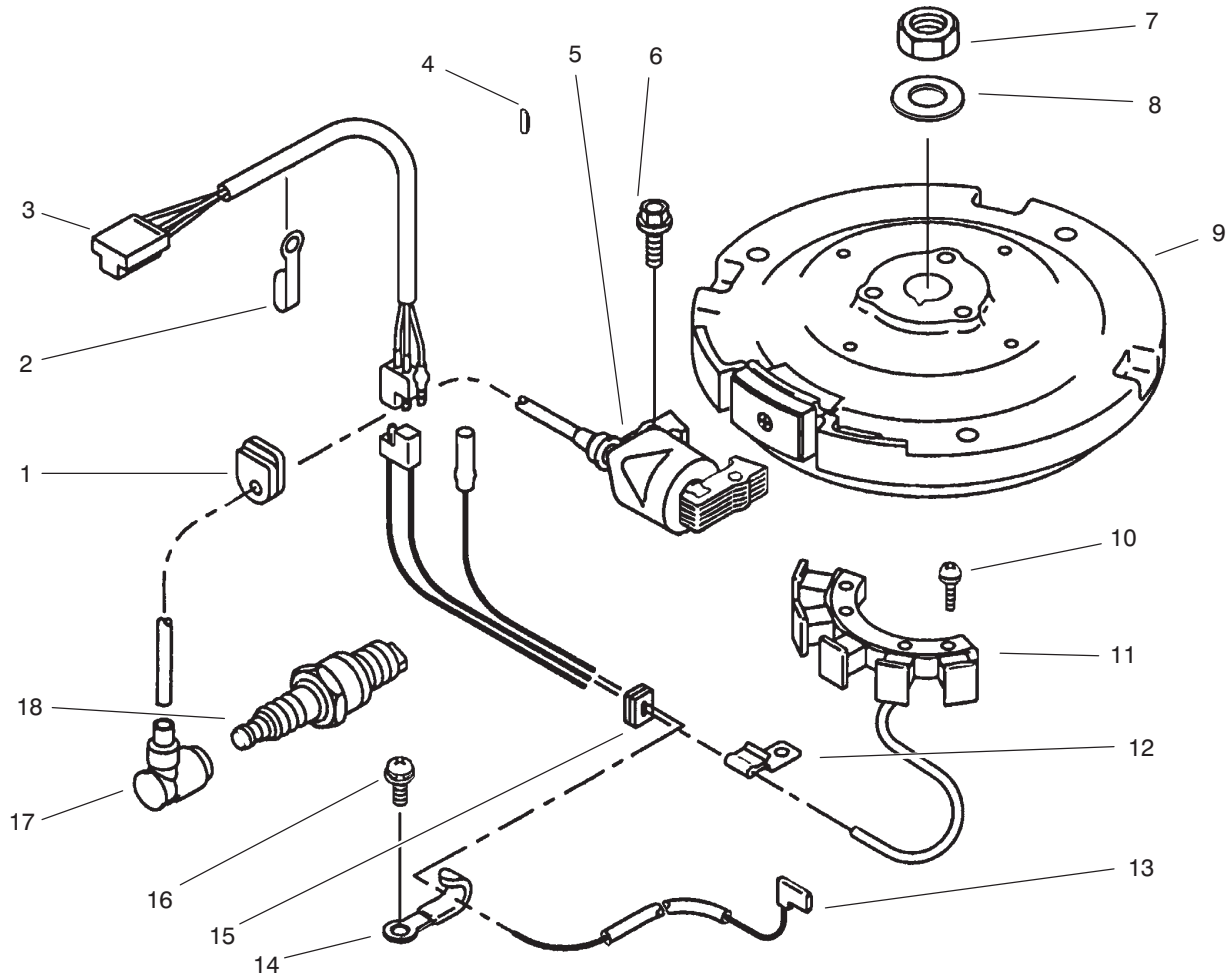


Cooling Equipment Assembly Kawasaki Model FB460V-LS08

Ref. No.	Part No.	Qty.	Description
1	130g0610	9	Bolt-Flange
2	49089-2199-9H	1	Shroud-Engine
3	59066-2295-9H	1	Housing-Fan
4	234b0408	2	Screw
5	14024-2038-9H	1	Cover
6	130b0820	3	Bolt-Flange
7	14037-2104-9H	1	Screen
8	92025-2003	1	Shim T-1.20
9	11044-2084	1	Bracket
10	130go614	6	Bolt-Flange
11	59066-2677-9H	1	Housing-Fan
12	92143-2179	4	Collar
13	59041-2081	1	Fan
14	49089-2181-9H	1	Shroud-Engine

Ref. No.	Part No.	Qty.	Description

*Order Parts from Kawasaki

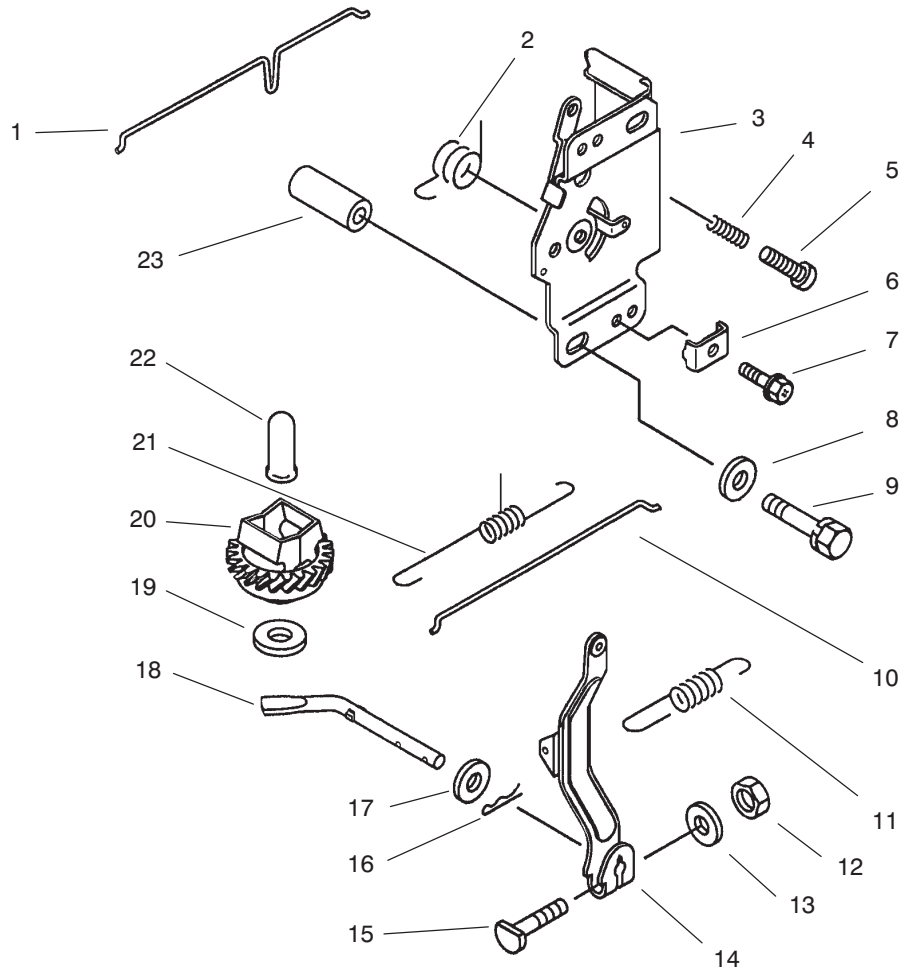


Electric Equipment Assembly Kawasaki Model FB460V-LS08

Ref. No.	Part No.	Qty.	Description
1	92071-2100	1	Grommet
2	92037-2063	1	Clamp
3	26001-2113	1	Harness-Wire
4	92038-2094	1	Key
5	21121-2086	1	Coil-Ignition
6	130b0520	2	Bolt-Flange
7	314g1800	1	Nut-Hex
8	92022-2178	1	Washer
9	21194-2323	1	Flywheel
10	224b0620	2	Screw
11	59031-2106	1	Coil-Charging
12	92037-2158	1	Clamp
13	26011-2329	1	Wire-Lead
14	92170-2029	1	Clamp
15	92071-2099	1	Grommet
16	234b0408	1	Screw
17	21130-2060	1	Cap-Spark Plug
18	92070-2101	1	Spark Plug-Rcj8

Ref. No.	Part No.	Qty.	Description

*Order Parts from Kawasaki

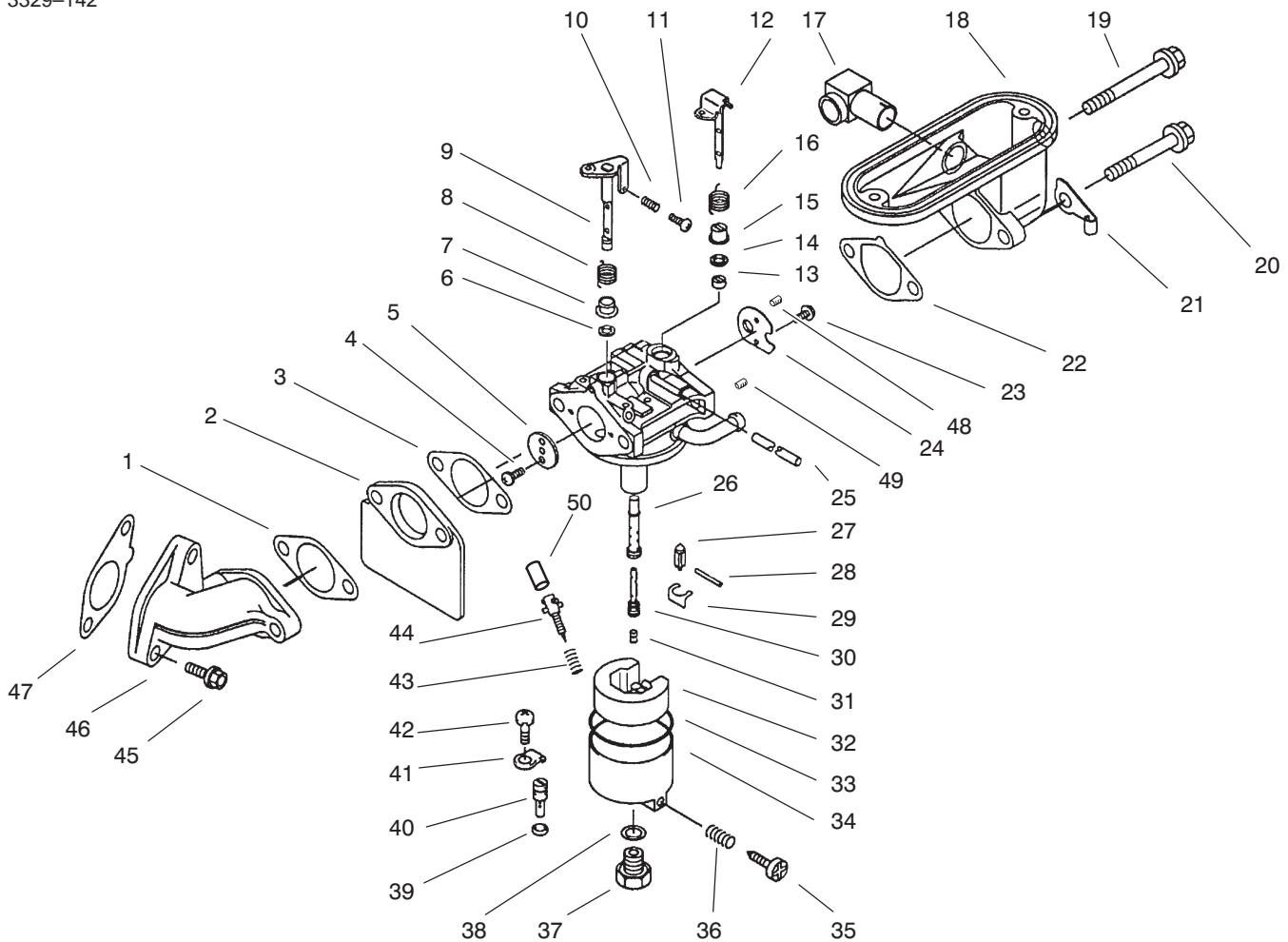


Control Equipment Assembly Kawasaki Model FB460V-LS08

Ref. No.	Part No.	Qty.	Description
1	16169-2126	1	Link-Choke
2	92081-2316	1	Spring
3	49113-2067	1	Panel Incl #2 4-7
4	92144-2266	1	Spring
5	214b0425	1	Screw
6	92037-2020	1	Clamp
7	92150-2128	1	Bolt
8	92200-2070	2	Washer
9		2	Bolt
10	16171-2083	1	Link
11	39129-2019	1	Spring-Governor
12	311b0600	1	Nut-HH
13	411b0600	1	Washer
14	21187-2052	1	Arm ASM
15	92002-2269	1	Bolt
16	554a0600	1	Pin-Snap
17	92200-2029	1	Washer
18	39003-2072	1	Arm-Pivot
19	92200-2036	1	Washer
20	49110-2067	1	Governor ASM
21	92081-2213	1	Spring
22	42036-2060	1	Sleeve
23	92027-2071	2	Collar

Ref. No.	Part No.	Qty.	Description

*Order Parts from Kawasaki

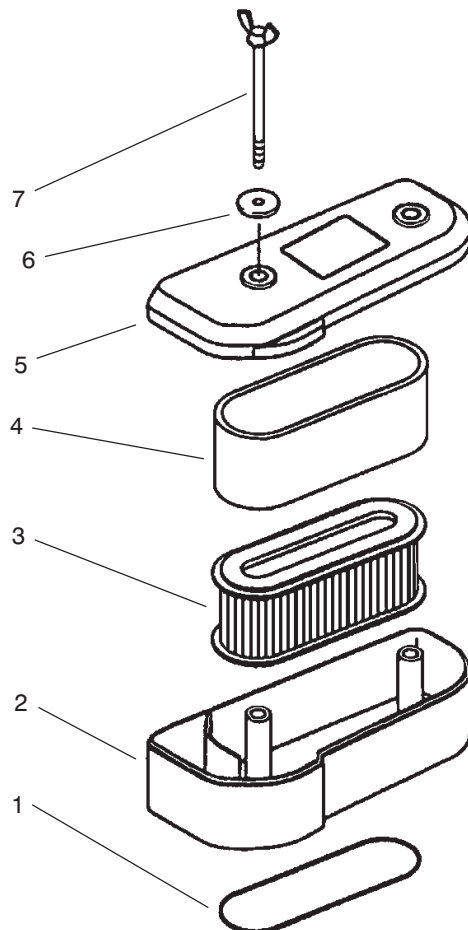


Carburetor Assembly – Kawasaki Model FB460V-LS08

Ref. No.	Part No.	Qty.	Description
0	15003-2467	1	Carburetor ASM
1	11060-2338	1	Gasket-Intake Pipe
2	16073-2091	1	Insulator
3	11060-2339	2	Gasket-Carburetor
4	92009-2080	2	Screw
5	16025-2141	1	Valve-Throttle #110
6	92093-2082	1	Seal
7	92027-2025	1	Collar
8	92081-2077	1	Spring
9	16041-2009	1	Shaft-Throttle
10	92081-2046	1	Spring
11	92009-2079	1	Screw
12	16041-2010	1	Shaft-Choke
13	92027-2003	1	Collar
14	92093-2069	1	Seal
15	92143-2142	1	Collar
16	92144-2160	1	Spring
17	59071-2062	1	Joint
18	16060-2108	1	Pipe-Intake
19	92002-2254	1	Bolt
20	92002-2253	1	Bolt
21	92170-2019	1	Clamp
22	11009-2025	1	Gasket
23	92009-2081	2	Screw
24	16126-2206	1	Valve-Choke
25	92059-2266	1	Tube

Ref. No.	Part No.	Qty.	Description
26	49121-2207	1	Nozzle-Main
27	16030-2073	1	Valve-Float
28	92043-2006	1	Pin
29	92033-2067	1	Ring-Snap
30	49123-2078	1	Holder-Main Jet
31	92063-2294	1	Jet-Main
32	16031-2066	1	Float
33	11009-2024	1	Gasket
34	16020-2109	1	Chamber-Float Incl 35 36
35	92009-2015	1	Screw
36	92081-2009	1	Spring
37	92150-2146	1	Bolt
38	1100a-2025	1	Gasket
39	16038-024	1	Gasket
40	92064-2108	1	Jet-Pilot
41	13183-2252	1	Plate
42	92009-2244	1	Screw
43	92081-2008	1	Spring
44	16014-2076	1	Screw-Pilot Air
45	130g0825	2	Bolt-Flange
46	16060-2109	1	Pipe-Intake
47	11060-2337	1	Gasket-Intake Pipe
48	16035-2063	1	Jet-Air #0.9
49	16035-2051	1	Jet-Air #1.4
50	39076-2053	1	Limiter

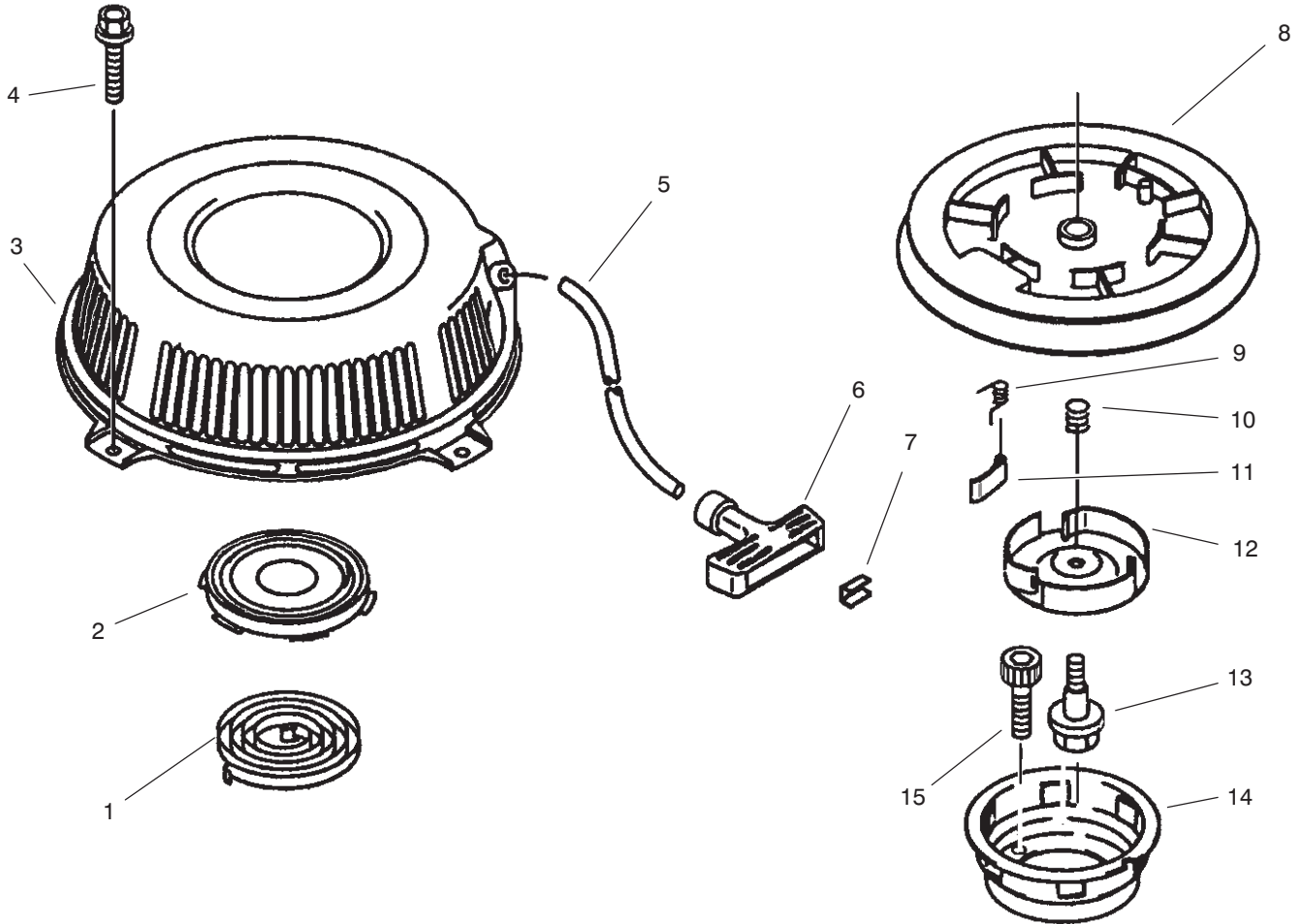
*Order Parts from Kawasaki



Air Filter Assembly – Kawasaki Model FB460V-LS08

Ref. No.	Part No.	Qty.	Description	Ref. No.	Part No.	Qty.	Description
1	11009-2443	1	Gasket-Air Filter				
2	11011-2174	1	Case-Air Filter				
3	11013-2021	1	Element-Air Filter				
4	11013-2020	1	Element-Air Filter				
5	11012-2192	1	Cap-Air Filter				
6	92022-2220	2	Washer				
7	92002-2230	2	Bolt				
	11010-2291	1	Filter ASM				

*Order Parts from Kawasaki

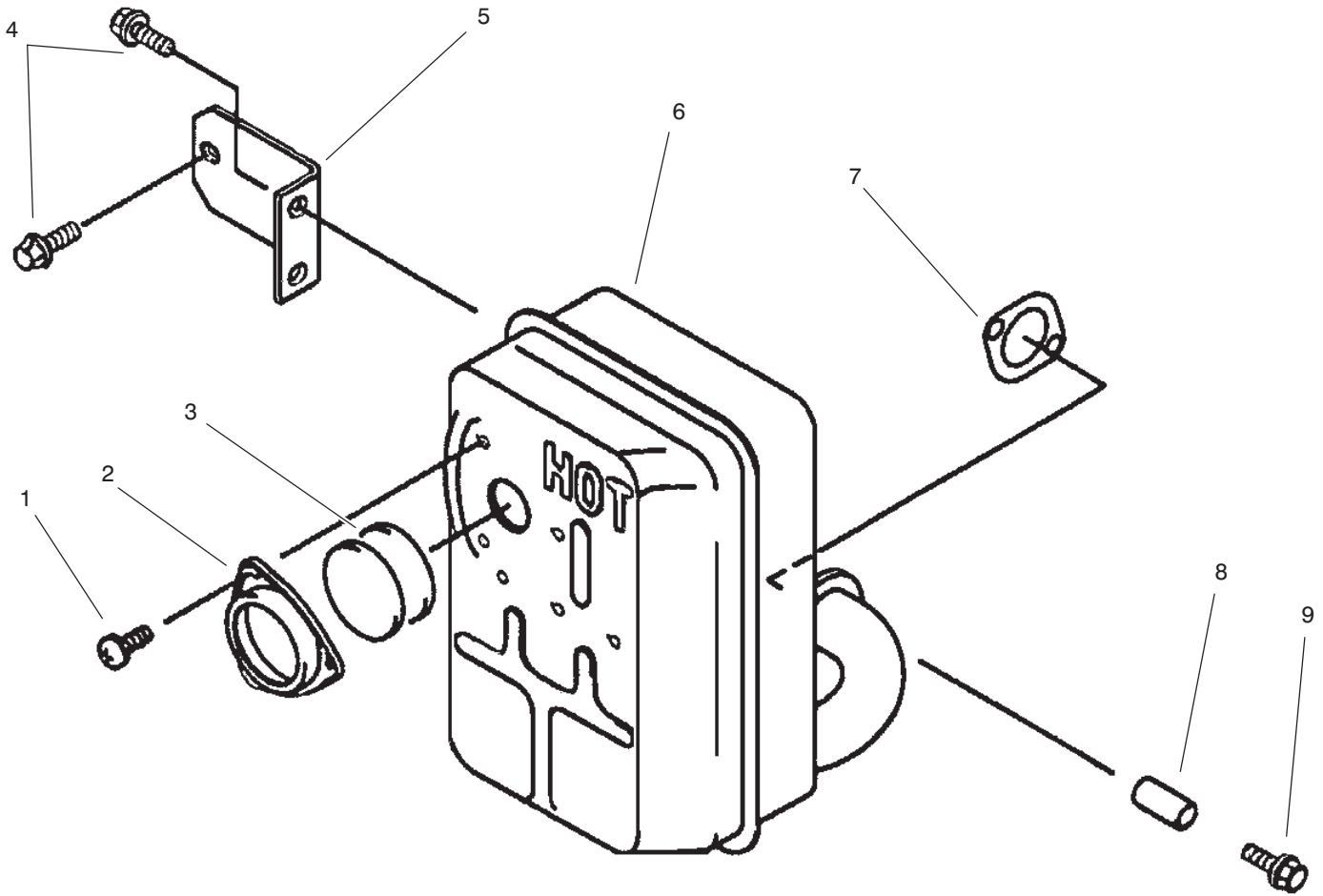


Starter Assembly – Kawasaki Model FB460V-LS08

Ref. No.	Part No.	Qty.	Description
1	90281-2267	1	Spring-Recoil
2	32099-2060	1	Case-Spring
3	32099-2239-yk	1	Case-Recoil Starter
4	130b0610	4	Bolt-Flange
5	59106-2060	1	Rope-Starter
6	46075-2059	1	Grip-Starter Rope
7	92022-2248	1	Washer
8	59101-2054	1	Reel-Recoil Starter
9	92081-2021	3	Spring
10	92081-2268	1	Spring-Return
11	13165-2073	3	Pawl-Recoil Starter
12	14020-2054	1	Retainer-Recoil
13	92001-2027	1	Bolt
14	49080-2144	1	Pulley-Starting
15	120p0620	3	Bolt-Socket
	49088-2412-yk	1	Starter Incl #1-5 8-14

Ref. No.	Part No.	Qty.	Description

*Order Parts from Kawasaki



Muffler Assembly – Kawasaki Model FB460V-LS08

Ref. No.	Part No.	Qty.	Description
1	92009-2166	2	Screw
2	11012-2165-9Y	1	Cap-Spark Arrestor
3	18077-2054	2	Arrestor-Spark
4	130b0812	4	Bolt-Flange
5	11044-2069-9Y	1	Bracket
6	49069-2190-9Y	1	Muffler ASM
7	11009-2527	1	Gasket-Muffler
8	92027-2081	1	Collar
9	130g0845	1	Bolt-Flange

Ref. No.	Part No.	Qty.	Description

*Order Parts from Kawasaki

