

# LAWN-BOY®

## Silver Series® Walk Behind Lawnmower Model No. 10357-23000001 and Up

### Parts Catalog

---

#### Ordering Replacement Parts

To order replacement parts, please supply: the part number, the quantity, and the description of each part desired.

#### Understanding Reference Numbers

Each identified part in an illustration has a reference number. The reference number for a part also appears in the parts list, along with other information about the part.

This catalog uses two special reference number formats, one to indicate parts in a service assembly and another to indicate the quantity of a given part in an illustration.

#### Service Assembly Reference Numbers

Parts in service assemblies have reference numbers in the form **a:b**. The **a** represents the reference number of the entire service assembly and the **b** represents a sequential number unique to each part within the service assembly.

For example, a wheel assembly might be identified by reference number **6**, the tire by **6:1**, the valve by **6:2**, and the wheel by **6:3**. When you order the assembly identified by reference number **6**, you receive all parts identified by reference numbers **6:1**, **6:2**, and **6:3**. However, you may also order any part individually.

Reference numbers of this type appear in illustrations and in part lists.

#### Reference Numbers Indicating Quantity

In an illustration, if a reference number indicates more than one part, the reference number has the form **nX y**. The **n** represents the quantity of the part, the **X** is the multiplication symbol, and the **y** represents the reference number.

For example, in an illustration, the reference number **2X 37** means that two of the parts identified by reference number **37** are indicated.

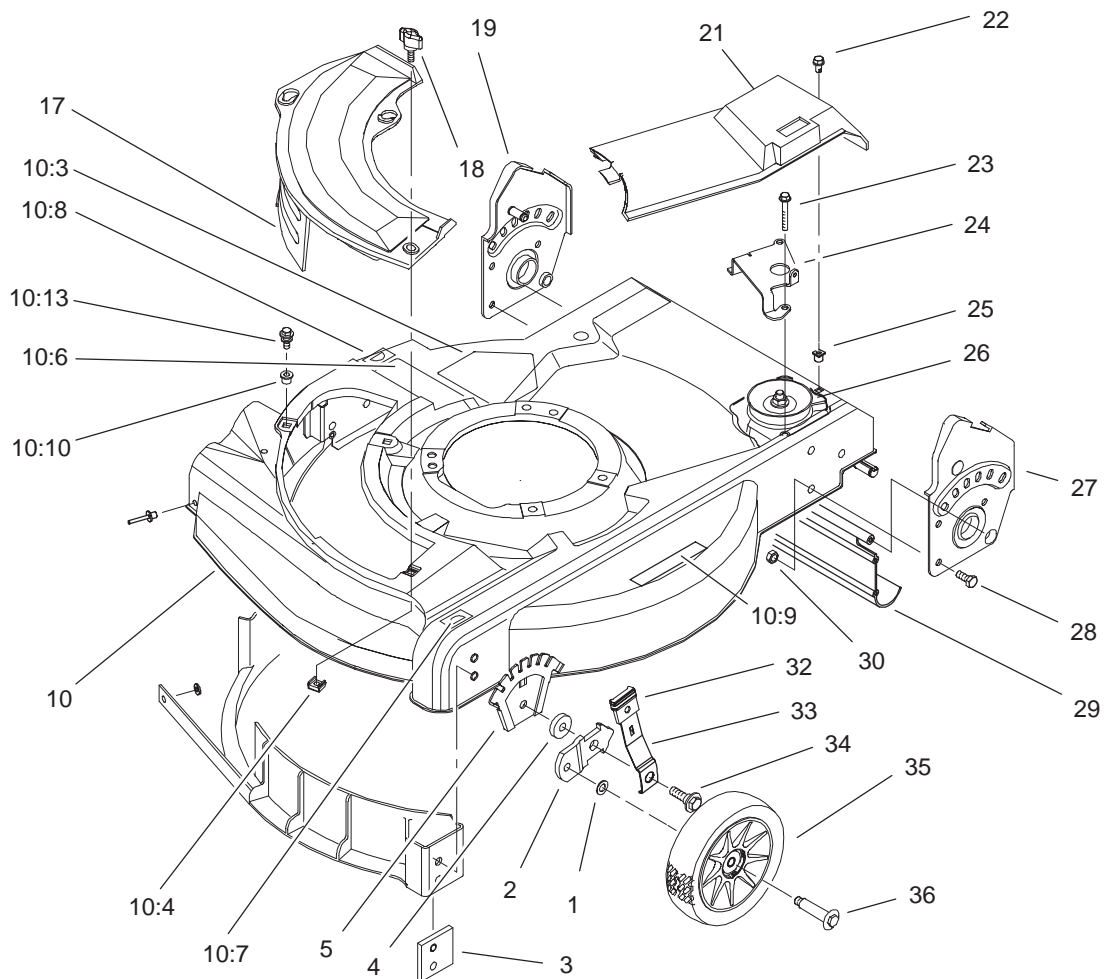
## Contents

<b>Description</b>	<b>Page</b>	<b>Description</b>	<b>Page</b>
Housing, Handle Bracket and Wheel Assembly . . .	3	Engine Assembly (continued)	
Gear Case Assembly No. 104-7671 . . . . .	4	Tecumseh Model No. LEV120-362006A . . . . .	11
Gear Case and Wheel Assembly . . . . .	5	Recoil Starter Assembly No. 590702 (Optional)	
Engine Assembly . . . . .	6	Tecumseh Model No. LEV120-362006A . . . . .	12
Handle Assembly . . . . .	7	Recoil Starter Assembly No. 590739	
Battery and Switch Assembly . . . . .	8	Tecumseh Model No. LEV120-362006A . . . . .	13
Engine Assembly		Carburetor Assembly No. 640303	
Tecumseh Model No. LEV120-362006A . . . . .	9	Tecumseh Model No. LEV120-362006A . . . . .	14
Engine Assembly		Electric Starter Kit No. 35709	
Tecumseh Model No. LEV120-362006A . . . . .	10	Tecumseh Model No. LEV120-362006A . . . . .	15

## Part Description Abbreviations

Part descriptions in this catalog may include the following abbreviations.

<b>Abbreviation</b>	<b>Meaning</b>	<b>Abbreviation</b>	<b>Meaning</b>
AR . . . . .	as required	HYD . . . . .	hydraulic
ASM . . . . .	assembly	INC . . . . .	incorporated
CARR . . . . .	carriage	LH . . . . .	left hand
DEG . . . . .	degrees	NI . . . . .	nylon insert
FH . . . . .	flat head	PPH . . . . .	Phillips pan head
GA . . . . .	gauge	PTH . . . . .	Phillips truss head
HF . . . . .	hex flange	PTO . . . . .	power take off
HH . . . . .	hex head	RH . . . . .	right hand
HHF . . . . .	hex head flange	SFH . . . . .	slotted fillister head
HLH . . . . .	hex lag head	SHH . . . . .	slotted hex head
HJ . . . . .	hex jam	SQH . . . . .	square head
HOC . . . . .	height-of-cut	SHWH . . . . .	slotted hex washer head
HS . . . . .	hex socket	SPH . . . . .	slotted pan head
HSBH . . . . .	hex socket button head	SRH . . . . .	slotted round head
HSFH . . . . .	hex socket flat head	STD . . . . .	standard
HSH . . . . .	hex socket head	TAP . . . . .	self tapping
HWH . . . . .	hex washer head	TTH . . . . .	Torx truss head
HWHTF . . . . .	hex washer head thread forming	WH . . . . .	wing head



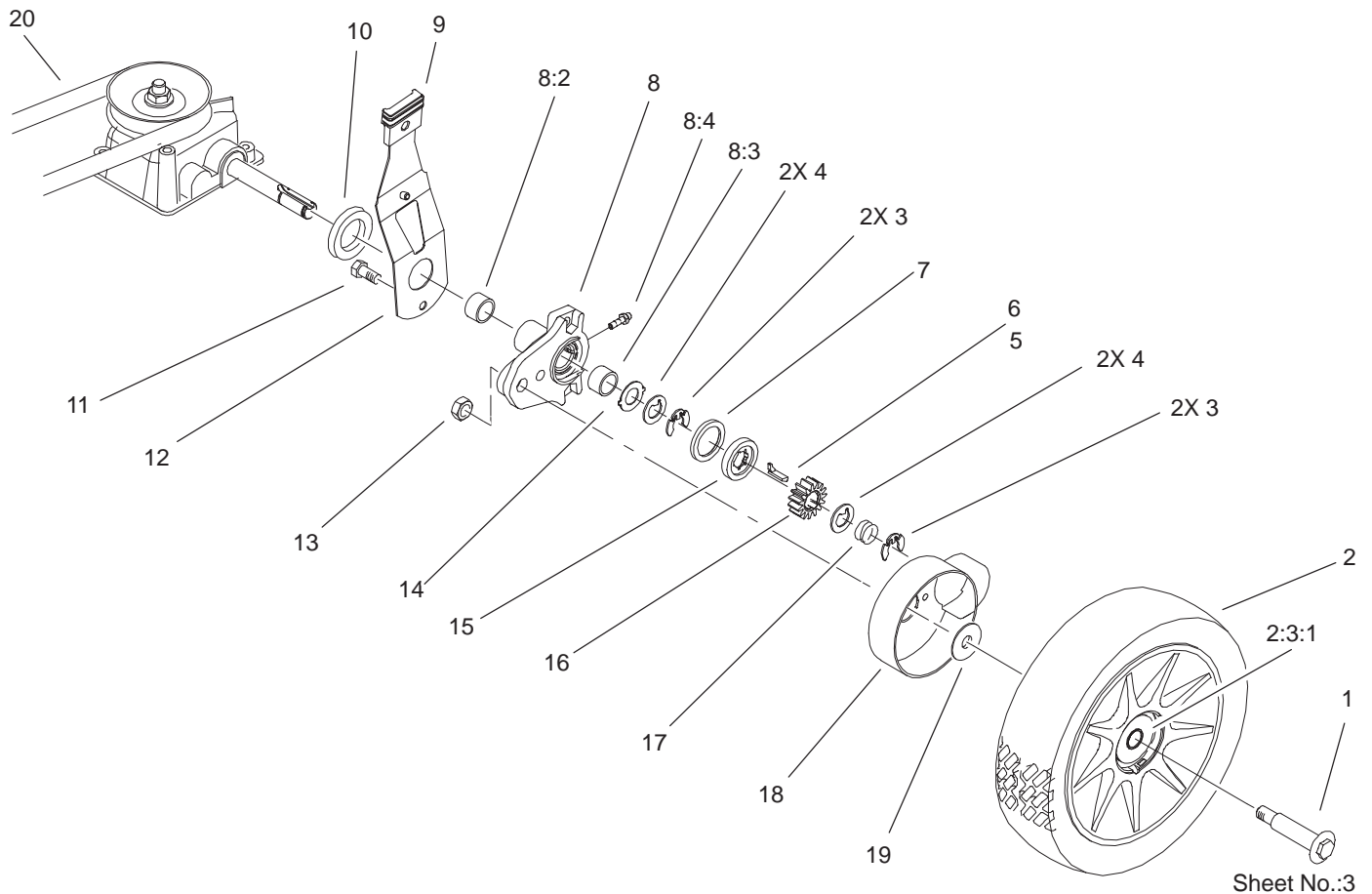
Sheet No.:2

## Housing, Handle Bracket and Wheel Assembly

Ref. No.	Part No.	Qty.	Description	Ref. No.	Part No.	Qty.	Description
1	40-1940	2	Washer	28	322-3	6	Screw-HH
2	95-7403-03	2	Bracket-Height Adjustment, Wheel	29	92-8647	1	Shield-Trailing
3	92-7731	2	Plate-Baffle	30	3296-29	6	Nut-Lock, NI
4	92-4890	2	Washer-Wheel	32	92-1008	2	Knob-Lever, Height Adjustment
5	92-4881-03	2	Plate-Height, Adjustment	33	614687	2	Arm-Front Spring
10	98-4477	1	Deck ASM	34	614672	2	Bolt-Shoulder
10:3	43-8480	1	Decal-Danger	35	92-1099	2	Bolt-Shoulder
10:4	613765	1	Nut-Cage	36	684776	2	Wheel & Tire ASM
10:6	99-6018	1	Decal-Warning	*	95-7052	1	Plate-Opening, Chute
10:7	92-2914	1	Decal-HOC, LH				
10:8	92-2915	1	Decal-HOC, RH				
10:9	93-7250	1	Decal-Warning				
10:10	94-1610	2	Grommet-Plastic				
10:13	614677	2	Screw-Sems				
17	92-8630	1	Plate-Mulch				
18	98-8332	1	Knob				
19	105-8602	1	RH Bracket ASM				
21	95-7068	1	Cover-Drive				
22	92-9665	1	Screw				
23	65-5221	2	Screw-HWHTF				
24	92-7728-03	1	Guide-Transmission				
25	605120	1	Grommet				
26	104-7671	1	Gear Case ASM				
27	105-8604	1	LH Bracket ASM				

\* Not illustrated





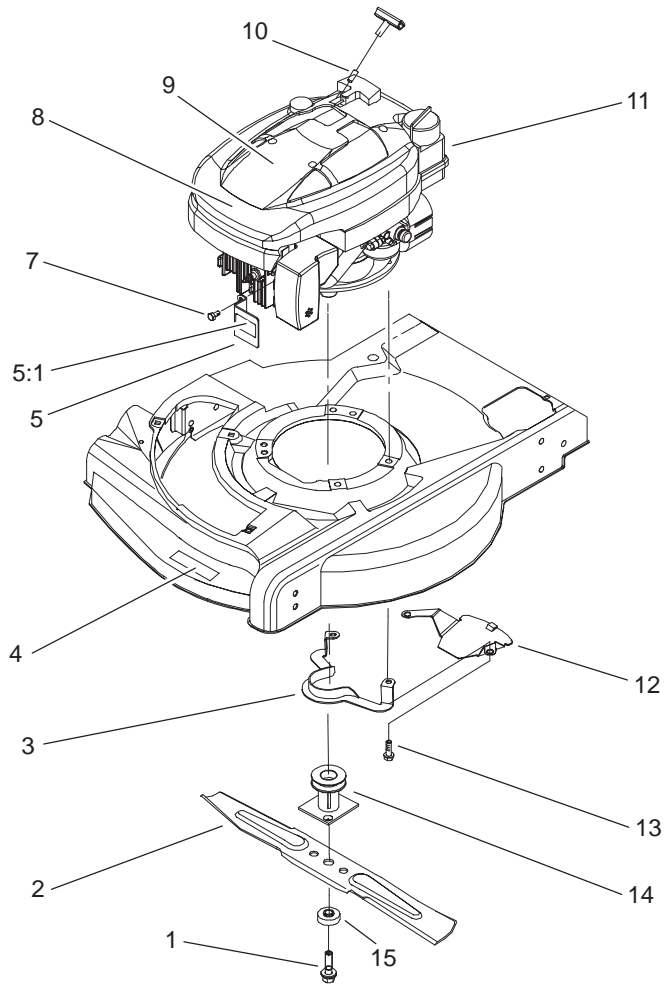
Sheet No.:3

## Gear Case and Wheel Assembly

Ref. No.	Part No.	Qty.	Description
1	92-1057	2	Bolt-Shoulder
2	92-1042	2	Wheel & Tire ASM
2:3:1	27-6250	2	Bushing
3	65-2720	4	Klipring-Locking
4	65-4740	4	Washer-Thrust, Keyed
5	66-6050	1	Key-Rocking, LH
*6	66-6040	1	Key-Rocking, RH
7	65-4710	2	Ring-Friction
8	92-7746	2	Rear Height Adjustment Arm ASM
8:2	70-9760	1	Bushing
8:3	47-2900	1	Bushing
8:4	302-56	1	Fitting-Grease
9	92-1008	2	Knob-Lever, Height Adjustment
10	614447	2	Spacer-Axle Shaft
11	32144-85	2	Screw-HWH
12	92-1004	2	Rear Spring Arm ASM
13	603773	2	Nut
14	65-4730	2	Washer-Arm, Pivot
15	65-4760	2	Washer-Clutch
16	65-4750	2	Gear-Pinion
17	65-4720	2	Spring-Compression
18	94-1609	2	Cover-Wheel

Ref. No.	Part No.	Qty.	Description
19	614426	2	Washer-Stepped
20	93-7381	1	V-Belt

\* Not illustrated



Sheet No.:5

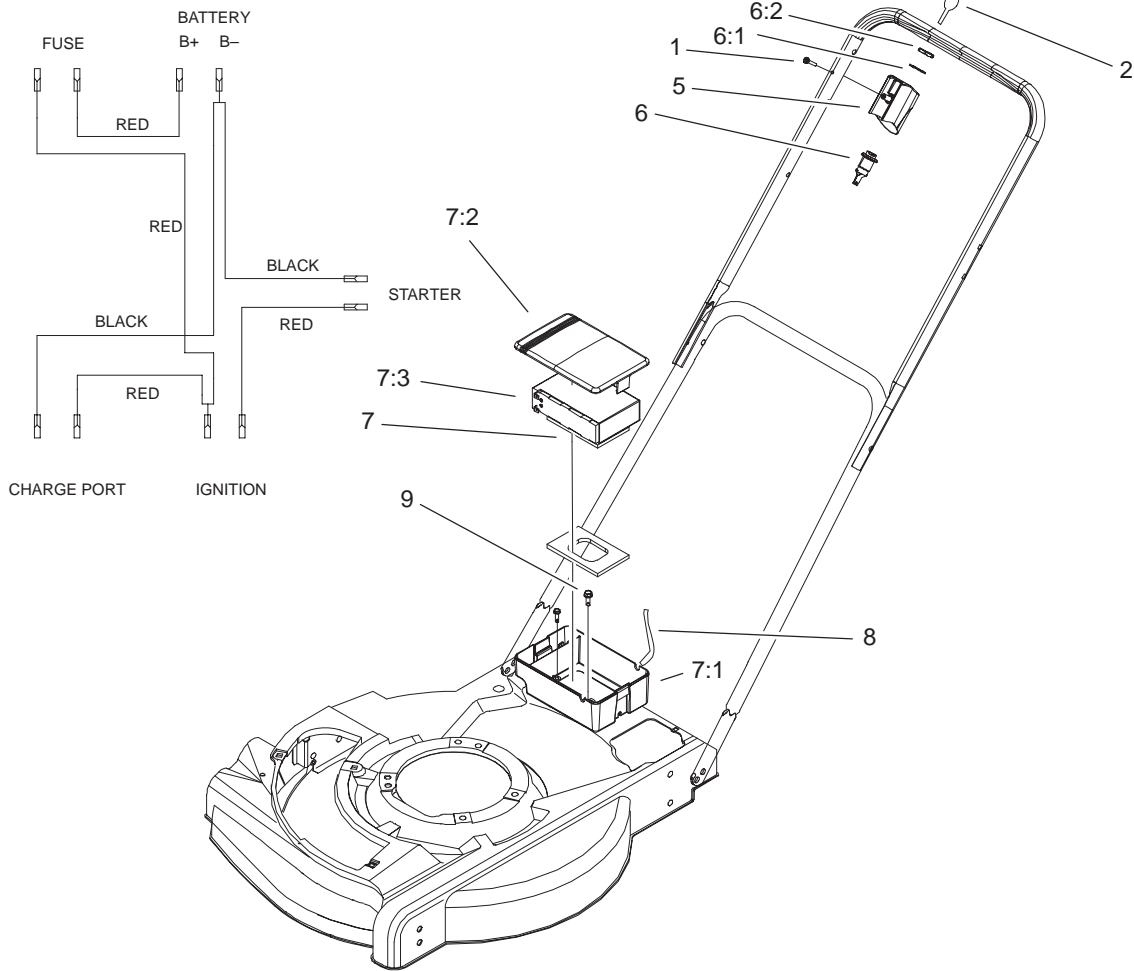
## Engine Assembly

Ref. No.	Part No.	Qty.	Description
1	105-8579	1	Bolt-Blade, Sems
2	612543-03	1	Blade
3	92-1024-03	1	Guide-Belt
4	104-7955	1	Decal-Deck
5	95-5569	1	Muffler Guard ASM
5:1	65-2690	1	Decal-Surface, Hot
7	32144-85	1	Screw-HWH
8	98-1593	1	Applique
9	106-8303	1	Decal-Recoil, Lb
10	92-1701	1	Stop-Rope
☆11		1	Engine-Tecumseh Model Lev120-362006a
12	93-4196-03	1	Shield-Grass
13	95-1726	3	Screw-Taptite W/Patch
14	106-3950	1	Driver-Blade, ASM
15	106-6826	1	Spacer

Ref. No.	Part No.	Qty.	Description

☆ Not serviced separately





Sheet No.:7

## Battery and Switch Assembly

Ref. No.	Part No.	Qty.	Description
1	32144-97	1	Screw
2	98-4486	1	Key-Ignition
5	100-1046	1	Mount-Switch
6	46-5780	1	Switch-Starter
6:1	3254-5	1	Washer-Tooth
6:2	218-461	1	Nut-HH
7	105-6845	1	Battery ASM-Panasonic
7:1	105-6843	1	Box-Battery
7:2	105-6844	1	Cover-Battery
7:3	104-7903	1	Battery-Panasonic, 12v
8	100-1038	1	Harness-Wire
9	104-7649	2	Screw-Tek
*	104-7401	1	Charger-12 Volt
*	104-7953	1	Decal-Harness
*	99-6124	2	Fuse-40 Amp

Ref. No.	Part No.	Qty.	Description

\* Not illustrated



## Engine Assembly Tecumseh Model No. LEV120-362006A

Ref. No.	Part No.	Qty.	Description	Ref. No.	Part No.	Qty.	Description
1	37465	1	Cylinder (Incl. 2, 20 & 150)	110B	36954	1	Wire Ass'y
2	26727	2	Dowel Pin	*119	36787	1	Cylinder Head Gasket
6	33734	1	Breather Element	120	37714	1	Cylinder Head
7	36557	1	Breather Ass'y. (Incl. 6 & 12A)	125	36780	1	Exhaust Valve (1/32" OS) (Incl. 151)
12	36775	1	Breather Tube	125	37288	1	Exhaust Valve (Std.) (Incl. 151)
12A	36558	1	Breather Cover & Tube (Incl. 12B)	126	37289	1	Intake Valve (Std.) (Incl. 151 & 151A)
12B	36694	1	Breather Tube Elbow	130	6021A	8	Screw, 5/16-18 x 1-7/16"
14	28277	1	Washer	135	35395	1	Resistor Spark Plug (RJ19LM)
15	30589	1	Governor Rod (Incl. 14)	150	31672	2	Valve Spring
16	34839A	1	Governor Lever	151	31673	2	Valve Spring Cap
17	31335	1	Governor Lever Clamp	151A	40017	1	Intake Valve Seal
18	651018	1	Screw, T-15, 8-32 x 19/64"	166	37813	1	Engine Shroud (Green)
19	36281	1	Extension Spring	*169	36783	1	Valve Cover Gasket
20	32600	1	Oil Seal	172	36784	1	Valve Cover
30	37692	1	Crankshaft	174	30200	2	Screw, 10-24 x 9/16"
40	40027	1	Piston, Pin & Ring Set (Std.)	178	29752	2	Nut & Lock Washer, 1/4-28
41	40042	1	Piston & Pin Ass'y. (Std.) (Incl. 43)	182	6201	2	Screw, 1/4-28 x 7/8"
42	40006	1	Ring Set (Std.)	*184	26756	1	Carburetor To Intake Pipe Gasket
43	20381	2	Piston Pin Retaining Ring	185	37466	1	Intake Pipe
45	36777	1	Connecting Rod Ass'y. (Incl. 46)	186	32653	1	Governor Link
46	32610A	2	Connecting Rod Bolt	189	650839	2	Screw, 1/4-20 x 3/8"
48	27241	2	Valve Lifter	191	36559A	1	S.E. Brake Bracket (Incl. 195)
50	37460	1	Camshaft (Exhaust MCR) (Inc. 104)	195	610973	1	Terminal
52	29914	1	Oil Pump Ass'y	207	34336A	1	Throttle Link
*69	37609	1	Mounting Flange Gasket	216	33086	1	R.P.M. Adjusting Lever
70	37608	1	Mounting Flange (Incl. 72-83,306,309A & 311A)	223	650451	2	Screw, 1/4-20 x 1"
72	37614	1	Oil Drain Plug	*224	36786	1	Intake Pipe Gasket
75	27897	1	Oil Seal	238	650932	2	Screw, 10-32 x 49/64"
80	30574A	1	Governor Shaft	*239	34338	1	Air Cleaner Gasket
81	30590A	1	Washer	241	36919	1	Air Cleaner Collar
82	30591	1	Governor Gear Ass'y. (Incl. 81)	245	36905	1	Air Cleaner Filter
83	30588A	1	Governor Spool	250	37122	1	Air Cleaner Cover
86	650488	6	Screw, 1/4-20 x 1-1/4"	260	37693A	1	Blower Housing
89	611004	1	Flywheel Key	261	30200	2	Screw, 10-24 x 9/16"
90	37787	1	Flywheel	262	650831	2	Screw, 1/4-20 x 1/2"
92	650815	1	Belleville Washer	275	37498	1	Muffler
93	650816	1	Flywheel Nut	277	650988	2	Screw, 1/4-20 x 2-9/32"
100	34443C	1	Solid State Ignition	285	35000A	1	Starter Cup
101	610118	1	Spark Plug Cover	287	650926	2	Screw, 8-32 x 21/64"
103	651007	2	Screw, T-15, 10-24 x 15/16"	290	29774	1	Fuel Line
104	37480	1	Cam Bushing	292	26460	2	Fuel Line Clamp
110	37047	1	Ground Wire	298	28763	2	Screw, 10-32 x 35/64"
110A	36953	1	Wire Ass'y	300	35586A	1	Fuel Tank (Incl. 292 & 301)
				301	36246	1	Fuel Cap Ass'y
				305	35647	1	Oil Fill Tube

Obtain Parts from Local Tecumseh Dealer. \* Included in Repair Kit No. 632809.

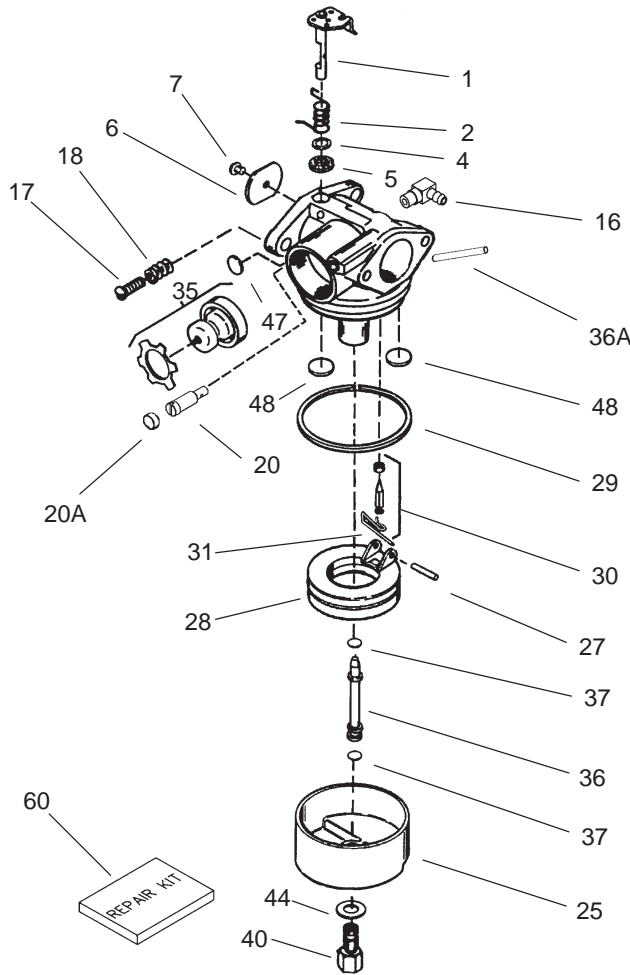
## Engine Assembly (continued) Tecumseh Model No. LEV120-362006A

Ref. No.	Part No.	Qty.	Description	Ref. No.	Part No.	Qty.	Description
*306	37610	1	"O"-Ring				
307	35499	1	"O"-Ring				
309	650562	1	Screw, 10-32 x 1/2"				
309A	650783	1	Screw, 10-24 x 3/4"				
310	35648	1	Dipstick				
311A	37611	1	Hold Down Bracket				
313	34080	1	Spacer				
325	35249	1	Wire Clip				
325	37152	1	Wire Clip				
325A	29443	1	Wire Clip				
347	650898A	1	Screw, 10-32 x 27/32"				
361	650831	2	Screw, 1/4-20 x 1/2"				
370A	36261	2	Lubrication Decal				
370C	37695	1	Primer Decal (3 X)				
370D	35977	1	Warning Decal				
380	640303	1	Carburetor (Incl. 184)				
390	590739	1	Rewind Starter (NOTE: This engine could have been built with 590702 starter.)				
395	35709	1	Electric Starter Motor (12 Volt)				
400	37613	1	Gasket Set (Incl. Items Marked PK in Notes)				
416	37530	1	Spark Arrestor Kit (Optional)				
	750876	1	Short Block Asm				

Obtain Parts from Local Tecumseh Dealer. \* Included in Repair Kit No. 632809.







Sheet No.:  
T-xxxx

## Carburetor Assembly No. 640303 Tecumseh Model No. LEV120-362006A

Ref. No.	Part No.	Qty.	Description
0	640303	1	Carburetor (Incl. 184 of Engine Parts List)
1	631615	1	Throttle Shaft & Lever Assembly
2	631767	1	Throttle Return Spring
*4	631184	1	Dust Seal Washer
*5	631183	1	Dust Seal
6	640070	1	Throttle Shutter
*7	650506	1	Shutter Screw
16	631807	1	Fuel Fitting
17	651025	1	Throttle Crack Screw/Idle Speed Screw
18	630766	1	Tension Spring
20	640018	1	Idle Restrictor Screw
* 20A	640200	1	Idle Restrictor Screw Cap
25	631867	1	Float Bowl
*27	631024	1	Float Shaft
28	632802	1	Float (Plastic)
*29	631028	1	Float Bowl O-Ring
*30	632807	1	Inlet Needle, Seat, & Clip (Incl. 31)

Ref. No.	Part No.	Qty.	Description
*31	631022	1	Spring Clip
35	640259	1	Primer Bulb (Red)/Retainer Ring
36	640019	1	Main Nozzle Tube
36A	632766	1	Bowl Vent Tube Extension
*37	632547	2	O-Ring, Main Nozzle Tube
40	640087	1	High Speed Bowl Nut
*44	27110A	1	Bowl Nut Washer
*47	630748	1	Welch Plug, Idle Mixture Well
*48	631027	2	Welch Plug, Atmospheric Vent
60	632809	1	Repair kit (Incl. Items Marked * in Notes)

Obtain Parts from Local Tecumseh Dealer. \* Included in Repair Kit No. 632809



**LAWN-BOY®**