



Hydraulic Power Pack

ProPass 200 Top Dresser with Tow-Type Chassis

Model No. 44713—Serial No. 403300001 and Up

Installation Instructions

This product complies with all relevant European directives. For details, please see the Declaration of Incorporation (DOI) at the back of this publication.

⚠ WARNING

CALIFORNIA Proposition 65 Warning

The engine exhaust from this product contains chemicals known to the State of California to cause cancer, birth defects, or other reproductive harm.

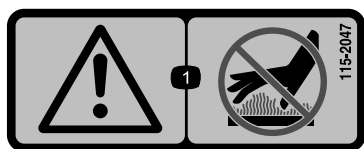
Battery posts, terminals, and related accessories contain lead and lead compounds, chemicals known to the State of California to cause cancer and reproductive harm. Wash hands after handling.

Safety

Safety and Instructional Decals



Safety decals and instructions are easily visible to the operator and are located near any area of potential danger. Replace any decal that is damaged or missing.



115-2047

decal115-2047

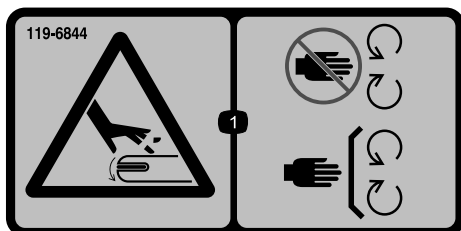
1. Warning—do not touch the hot surface.



119-6807

decal119-6807

1. Warning—no step

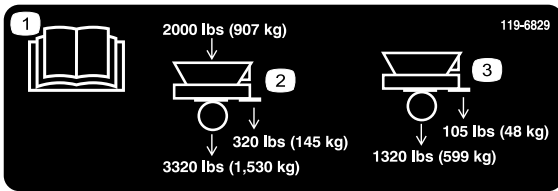


119-6844

decal119-6844

1. Cutting/dismemberment hazard of hand, conveyor—stay away from moving parts, keep all guards and shields in place.





decal119-6829

119-6829

1. Read the *Operator's Manual*.
2. Maximum load of 907 kg (2000 lb) results in an axle weight of 1,530 kg (3320 lb) and a tongue weight of 145 kg (320 lb).
3. Empty hopper has an axle weight of 599 kg (1320 lb) and a tongue weight of 48 kg (105 lb).

▲ WARNING: Cancer and Reproductive Harm - www.P65Warnings.ca.gov.
For more information, please visit www.tccoCProp65.com

CALIFORNIA SPARK ARRESTER WARNING

Operation of this equipment may create sparks that can start fires around dry vegetation. A spark arrester may be required. The operator should contact local fire agencies for laws or regulations relating to fire prevention requirements.

133-8062

decal133-8062

133-8062

Installation

Loose Parts

Use the chart below to verify that all parts have been shipped.

Description	Qty.	Use
Hydraulic tank assembly	1	Prepare the machine
Hose guide mounting bracket	1	
Engine assembly	1	Mount the engine.
Bolt (1/2 x 5 inches)	2	
Battery	1	
Battery hold down	1	
Battery mount strap	1	
Battery bolt	2	
Battery bolt spacer	2	
Washer	2	
Flange nut	2	
Hose guide	1	
Hydraulic return hose (hose #3)	1	
Hydraulic suction hose (hose #4)	1	
Bolt (1/4 x 3/4 inch)	4	
Locknut (1/4 inch)	4	
Bolt (3/8 x 1 inch)	4	
Locknut (3/8 inch)	4	
Flat washer	4	
No parts required	—	Complete the installation.

Important: This kit can only be applied to a ProPass that is equipped as a tow-behind machine.

Preparing the Machine

⚠ CAUTION

Installing the kit before disconnecting all external hydraulic and electrical sources may expose you to electric shock and/or pressurized hydraulic fluid, causing serious injury or death.

Before installing the power pack, disconnect all external hydraulic and electrical power sources.

1. Park the machine on a level surface, lower the jack stand, disconnect it from the traction unit, and chock the front and back of the wheels.
2. Following the instructions given in the *Operator's Manual* for the machine, remove the Twin Spinner and secure the hydraulic power and return hoses.

Important: Some ProPass models have a pre-drilled chassis rear wall. If your machine has a pre-drilled chassis rear wall, refer to [Mounting the Engine \(page 5\)](#).

3. Remove and retain the 2 mounting bolts from the chassis rear wall to allow the hydraulic tank to be mounted.
4. Ensure that the chassis rear wall is clear to mount the hydraulic tank.
5. Remove the hydraulic tank assembly from the crate.
6. Support the hydraulic tank from underneath and position the tank against the chassis rear wall. The tank should be centered evenly from left to right and should be positioned vertically ([Figure 1](#)).

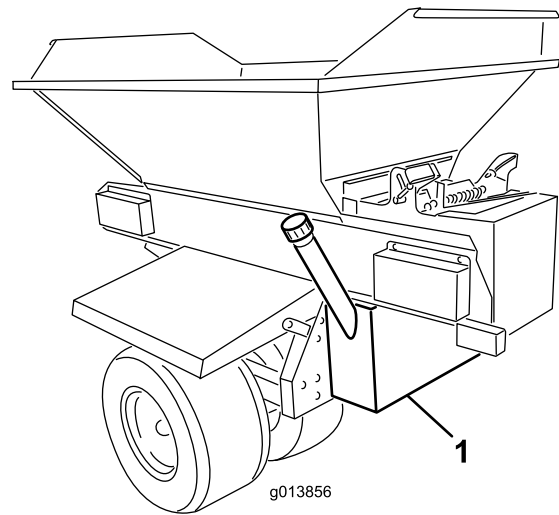


Figure 1

1. Hydraulic tank

7. Ensure that the inlet and outlet fittings and the hose guide mounting bracket all fit cleanly within the round holes in the chassis rear wall ([Figure 2](#)).

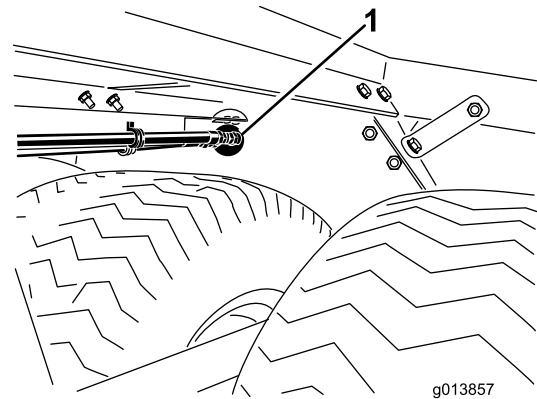


Figure 2

1. Holes in the chassis

8. Ensure that the hydraulic tank is level.
9. Using C-clamps, or similar devices, temporarily clamp the hydraulic tank firmly in place on the chassis rear wall.
10. Ensure that the hydraulic tank is still level.
11. Mark the position of the hydraulic tank mounting holes onto the chassis rear wall.
12. Unclamp and remove the hydraulic tank.
13. Center punch the position of the marked holes.
14. Drill a 7/16 inch diameter hole through the chassis rear wall in each marked and punched position.
15. De-burr each hole.

Mounting the Engine

1. Ensure that the hitch tube is clean and free from dirt or debris.
2. Unpack the engine assembly.
3. Loosen, but do not remove, the 2 bolts and nuts securing the engine mount brackets to the engine mounting plate (Figure 3).

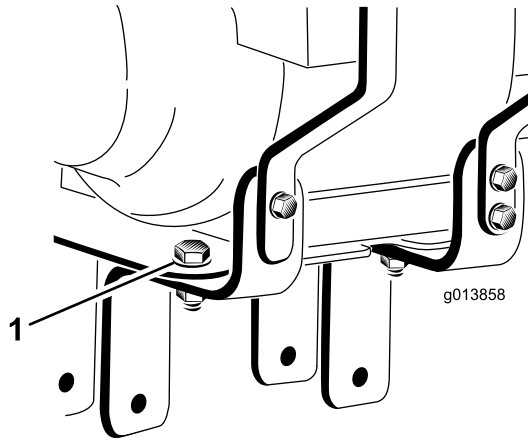


Figure 3

g013858

1. Mounting bolt (2)

4. Remove the 2 nuts holding the battery hold down straps in place and set the nuts, washers and bolt tube off to the side (Figure 4).

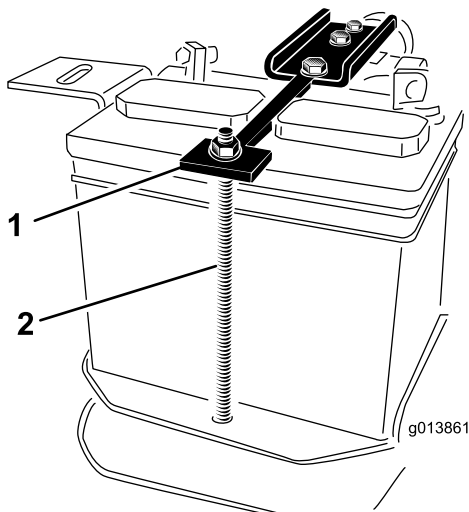


Figure 4

g013861

1. Battery hold down strap
2. Battery hold down bolt (2)

5. Remove the battery from its position on the assembly and rest the filter on the base plate.
6. Charge the battery; refer to [Activating and Charging the Battery](#) (page 12).

7. Have someone help you to position the engine assembly onto the hitch tube.

Ensure that the engine mount brackets straddle the hitch tube (Figure 5) and that the rear of the engine mount plate is approximately 25 mm (1 inch) from the hitch tube receiver (Figure 6).

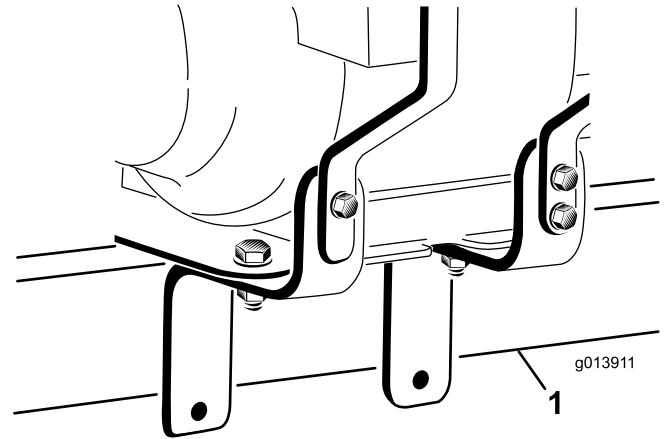


Figure 5

g013911

1. Hitch tube

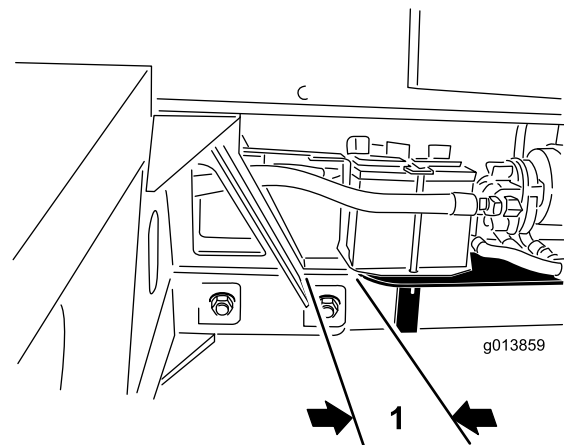


Figure 6

g013859

1. One inch

- Insert the 2 bolts (1/2 x 5 inches) through the engine mount bracket holes, ensuring that a flat washer is fitted against each outer face of the engine mount bracket, and ensuring that the bolts pass beneath the bottom of the hitch tube. Hand tighten the 2 nuts (1/2 inch) as shown in [Figure 7](#).

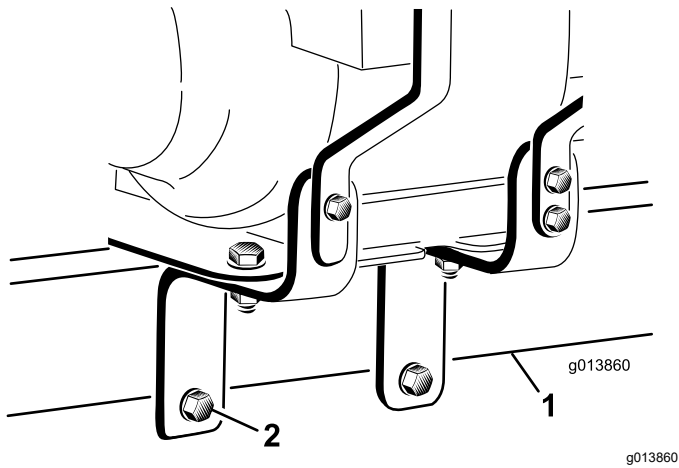


Figure 7

- Hitch tube
- Mounting bolt (2)

- Adjust the engine mount bracket so that it is tight to the hitch. Fully tighten the 2 bolts that you loosened in step 3.
- Ensure that the engine mounting plate is level and fully tighten the 2 bolts (1/2 x 5 inches) through the engine mount bracket lower holes.
- Place the battery onto the battery tray, positioning the terminals as shown in [Figure 8](#).
- Position the battery hold down on the battery ([Figure 8](#)).
- Hold the battery mount strap around the underside of the hitch tube ([Figure 8](#)).
- On the right side, install a battery bolt through the washer, battery mount strap, engine mount plate, battery tray, battery bolt spacer, and hold down. Loosely install a flange nut ([Figure 8](#)).

Note: Ensure that the bolts are installed from the bottom.

- On the left side, install a battery bolt through the washer, battery mount strap, engine mount plate, battery tray, battery bolt spacer, and hold down. Loosely install a flange nut ([Figure 8](#)).
- Ensure that everything is concentric and tighten the nuts.

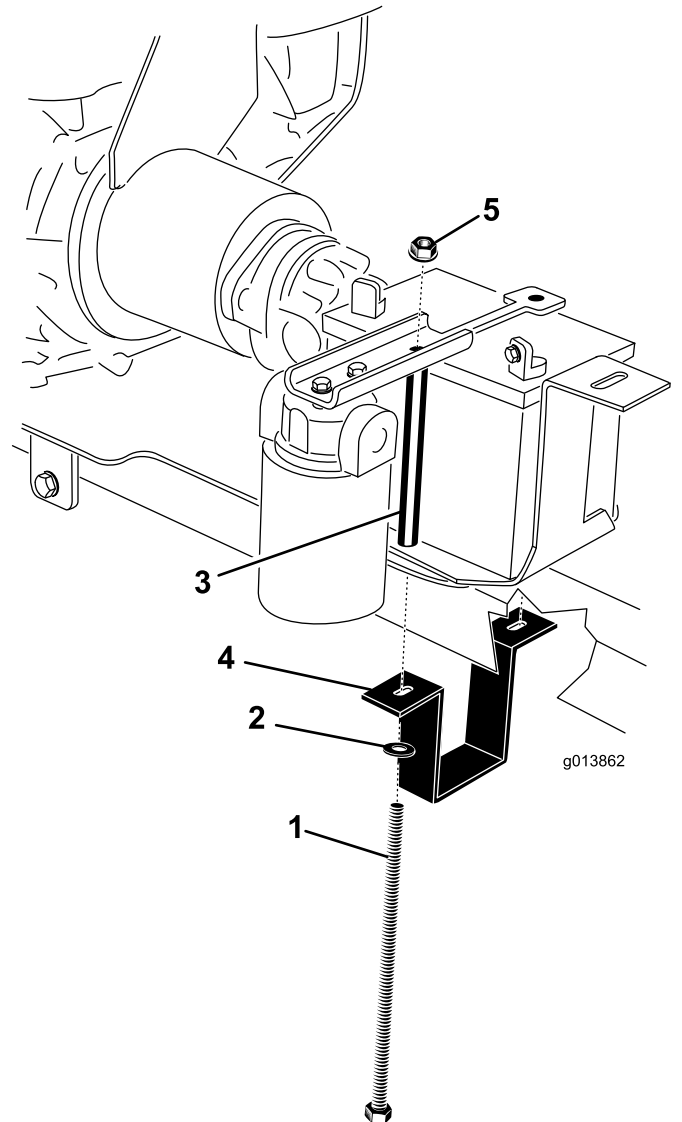


Figure 8

- Battery bolt (2)
- Washer (2)
- Bolt tube
- Battery mount strap
- Flange locknut (2)

Installing the Hydraulic System

1. Unpack the hose guide, hydraulic return hose (hose #3), hydraulic suction hose (hose #4), 4 bolts (1/4 x 3/4 inch) and 4 locknuts (1/4 inch).

Note: Remove the hose secured to the hose guide, hydraulic return hose and hydraulic suction hose for shipping.

2. Using 2 bolts (1/4 x 3/4 inch) and flange locknuts, attach the hose guide to the bracket on the hydraulic tank (Figure 9).

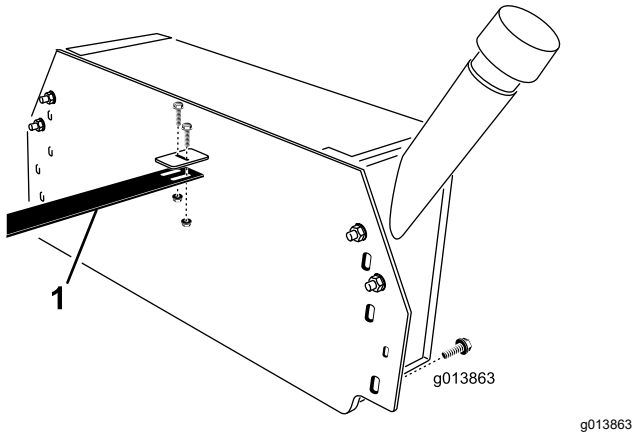


Figure 9

1. Hose guide

Note: Remove the 2 mounting bolts must from the chassis rear wall. Use the removed bolts to mount the tank.

3. Unpack 4 bolts (3/8 x 1 inch) and nylon locknuts. Supporting the hydraulic tank from below, pass the hose guide and hydraulic hoses #3 and #4 through the large central hole in the chassis rear wall and locate the hydraulic tank against the chassis rear wall. Temporarily clamp, or bolt, the hydraulic tank in place.

Note: The hose guide should be fed through the center hole on the front side of the chassis. 2 people may be required.

4. Install the hydraulic return hose (#3) and the hydraulic suction hose (#4) to the appropriate fittings on the hydraulic tank.

Note: Hose #3 and hose #4 do not have the same fittings; each hose will fit only into the correct fitting in the hydraulic tank.

Note: When mounting the hoses, ensure that there is adequate clearance for the tires.

5. The hose guide should sit on top of the tab from the vertical leg of the battery tray (Figure 10). If the holes in the hose guide do not match the holes in the battery tray tab, the hose guide length may be adjusted by loosening the bolts attaching the hose guide to the hydraulic tank bracket and sliding the hose guide forward or to the rear as required.

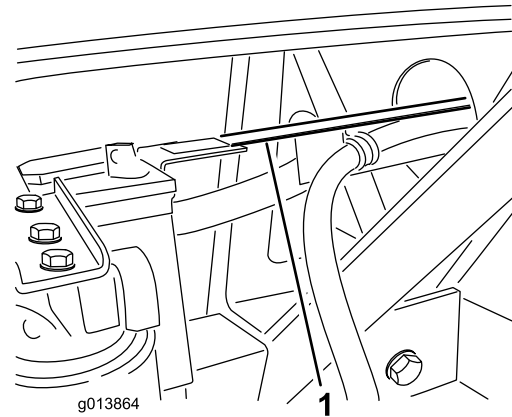


Figure 10

1. Hose guide

6. Attach the hose guide to the battery tray tab using 2 bolts (1/4 x 3/4 inch) and flange locknuts (Figure 10).

7. Mount the hydraulic tank to the chassis rear wall using the previously removed mounting bolts, as well as the bolts (3/8 x 1 inch), nylon locknuts, and flat washers from the kit, Tighten the fasteners.

8. Connect hydraulic hose #3 to the filter outlet (Figure 11).

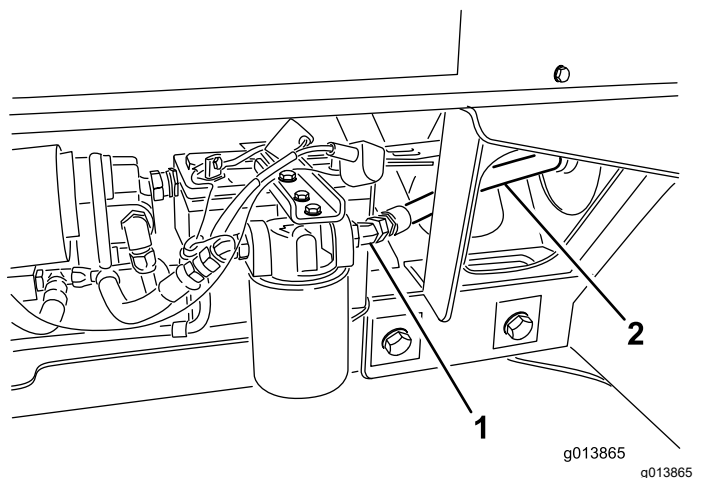


Figure 11

1. Filter outlet
2. Hydraulic hose #3

9. Connect hydraulic hose #4 to the suction side of the hydraulic pump (Figure 12).

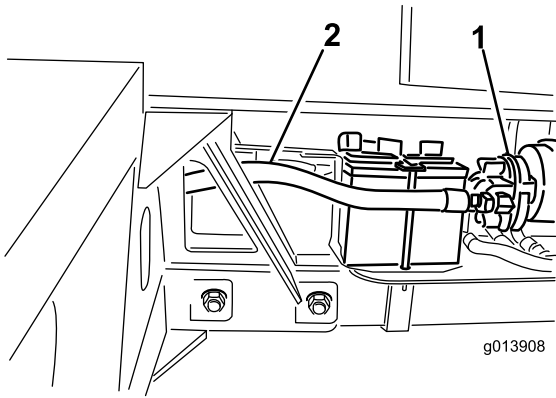


Figure 12

1. Hydraulic pump 2. Hydraulic hose #4

11. Identify the pressure and return connections on the machine base model. Refer to Figure 14 for the SH versions and Figure 15 for the EH versions.

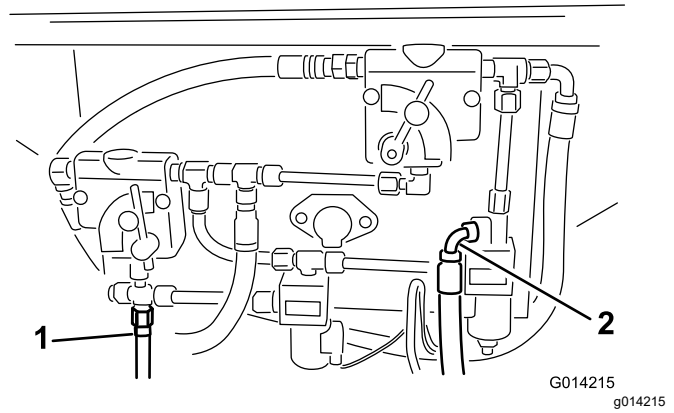


Figure 14
SH version shown

1. Pressure 2. Return

10. On the SH version (Model 44701) remove the fasteners securing the cover to the front of the machine and set the cover aside (Figure 13).

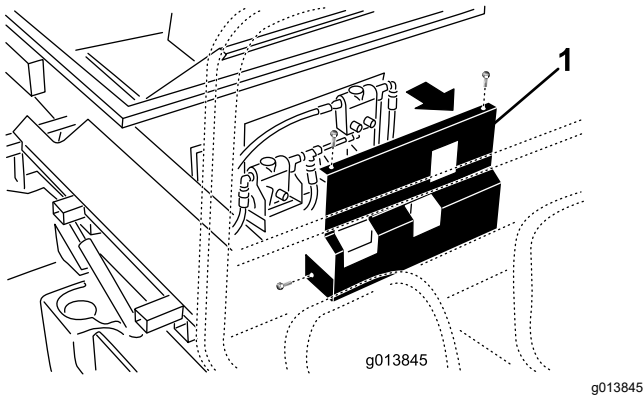


Figure 13

1. Cover

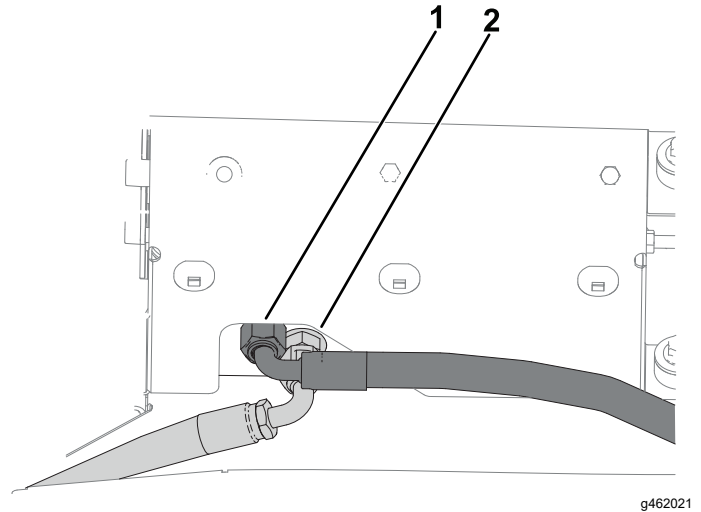


Figure 15
EH version shown

1. Return 2. Pressure

12. If pressure and return hoses were previously installed at the locations shown in [Figure 14](#) and [Figure 15](#), remove them.

Note: Ensure that the hoses do not contact any hot, sharp, or moving parts. Try to attain as much clearance from the muffler as possible.

13. Connect the hydraulic hoses to the hydraulic control panel. Refer to [Figure 14](#) and [Figure 16](#) on the SH versions and [Figure 15](#) and [Figure 17](#) on the EH versions.

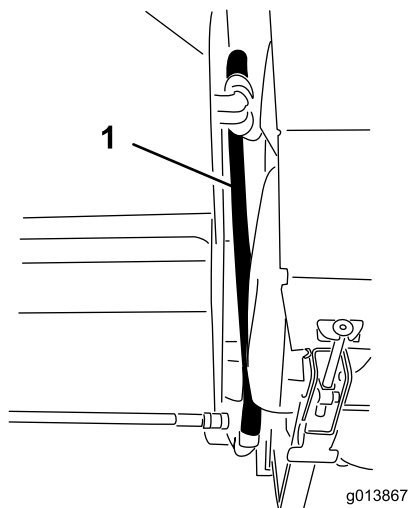


Figure 16
SH version shown

1. Hose routing

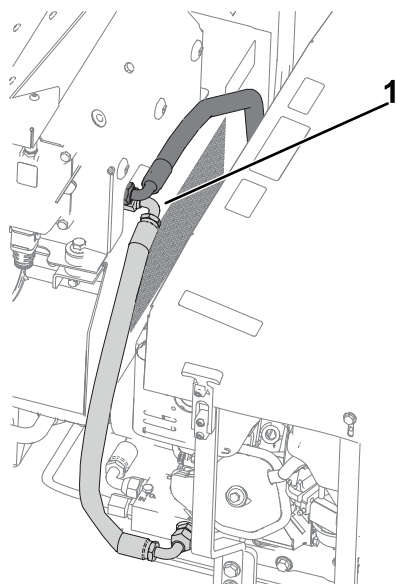


Figure 17
EH version shown

1. Hose routing

14. Tighten all of the hydraulic connections and fasteners.

Completing the Installation

1. Refit the Twin Spinner assembly.
2. Connect the black cable and the black pre-routed cable to the battery negative terminal and the white cable and the red pre-routed cable to the battery positive terminal.
3. Plug the intermediate wire harness into the power harness connector on the machine (Figure 18 or Figure 19).

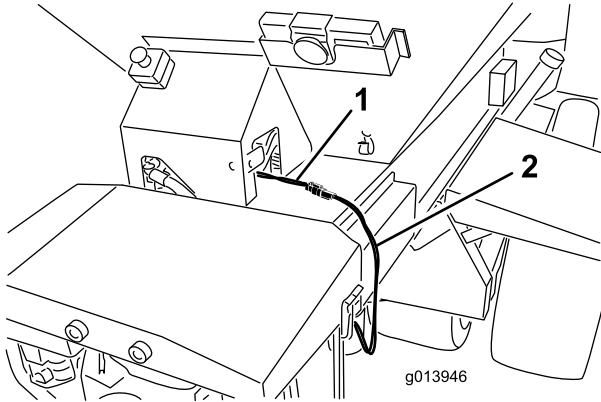


Figure 18

1. Power harness
2. Intermediate wire harness

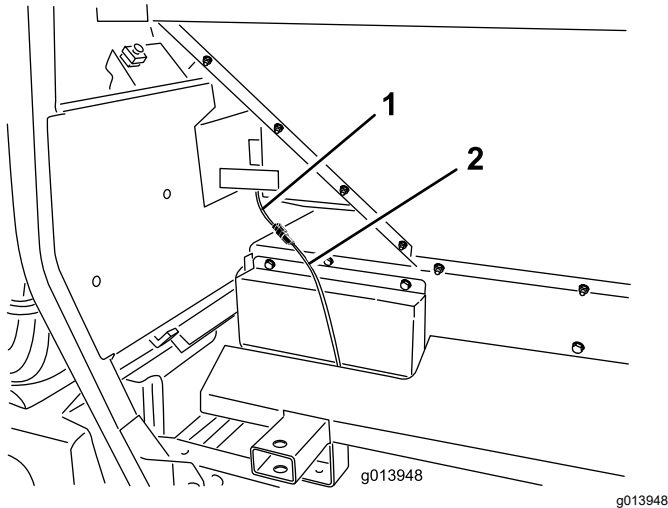


Figure 19

1. Power harness
2. Intermediate wire harness

4. Fill the engine with approximately 1 L (34 fl oz) of the proper viscosity oil before starting; refer to [Servicing the Engine Oil \(page 11\)](#).

Important: The engine is shipped from the factory without oil; attempting to start the machine before you fill it with oil will cause engine damage.

5. Check the level of oil before the engine is first started; refer to [Servicing the Engine Oil \(page 11\)](#).
6. Fill the hydraulic tank with the proper hydraulic fluid; refer to [Servicing the Hydraulic System \(page 11\)](#).

Important: The hydraulic system will not completely fill with fluid until the system is powered up. Check the hydraulic fluid level and add fluid as necessary to ensure that it is at the correct level after using the hydraulic system for the first time.

Operation

⚠ CAUTION

Ensure that all control systems are turned off when working on the power pack.

Servicing the Engine Oil

Important: The engine is shipped *without oil*. Refer to the engine owner's manual for additional information.

The engine is shipped from the factory **without** oil; it must be filled with approximately 1 L (34 fl oz) of oil before starting.

Check the level of oil before the engine is first started and daily thereafter.

The engine uses any high-quality oil having the American Petroleum Institute - API - "service classification" SJ, SL or equivalent. Oil viscosity - weight - must be selected according to ambient temperature. [Figure 20](#) illustrates the temperature/viscosity recommendations.

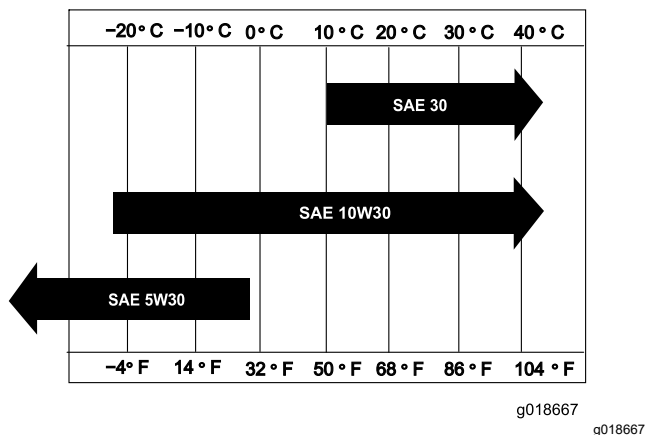


Figure 20

1. Position the machine so that the engine is level.
2. Clean the area around the oil filler cap/dipstick.
3. Remove the oil filler cap/dipstick by rotating it counterclockwise.
4. Wipe the dipstick clean and insert it into the filler port. Do not screw it into the port.
5. Remove the dipstick and check the level of the oil.
6. If the level is near or below the lower limit mark on the dipstick, add only enough oil to raise level to the upper limit mark.

Important: Do not overfill the crankcase.

7. Check the engine oil level again.
8. Install the oil filler cap/dipstick and wipe up any spilled oil.

Important: Ensure that the engine oil is at the proper level. If the engine oil level is not correct, the engine will crank but will not start.

Servicing the Hydraulic System

The machine is shipped from the factory without hydraulic fluid; you must fill it with 32.9 L (8.7 US gallons) of high quality hydraulic fluid. Check the level of hydraulic oil before the machine is first started and daily thereafter. The recommended hydraulic fluids are as follows:

Toro Premium Transmission/Hydraulic Tractor Fluid
(Available in 5 gallon pails or 55 gallon drums. See parts catalog or Toro distributor for part numbers.)

Alternate fluids: If the Toro fluid is not available, other petroleum-based Universal Tractor Hydraulic Fluids (UTHF) may be used provided its specifications fall within the listed range for all the following material properties and it meets industry standards. We do not recommend the use of synthetic fluid. Consult with your lubricant distributor to identify a satisfactory product.

Important: The hydraulic system will not completely fill with fluid until the system is powered up. Check the hydraulic fluid level and add fluid as necessary to ensure that it is at the correct level after using the hydraulic system for the first time.

Note: Toro will not assume responsibility for damage caused by improper substitutions, so use only products from reputable manufacturers who will stand behind their recommendation.

Material Properties:

Viscosity, ASTM D445	cSt @ 40° C 55 to 62 cSt @ 100° C 9.1 to 9.8
Viscosity Index ASTM D2270	140 to 152
Pour Point, ASTM D97	-35° F to -46° F

Industry Specifications:

API GL-4, AGCO Powerfluid 821 XL, Ford New Holland FNHA-2-C-201.00, Kubota UDT, John Deere J20C, Vickers 35VQ25, and Volvo WB-101/BM

Note: Many hydraulic fluids are almost colorless, making it difficult to spot leaks. A red dye additive for the hydraulic system oil is available in 2/3 oz (20 ml) bottles. One bottle is sufficient for 15 to 22 L (4 to 6 US gallons) of hydraulic oil. Order part number 44-2500 from your Authorized Toro Distributor.

Fuel Safety

- Use extreme care in handling fuel. It is flammable and its vapors are explosive.
- Extinguish all cigarettes, cigars, pipes, and other sources of ignition.
- Use only an approved fuel container.
- Do not remove the fuel cap or fill the fuel tank while the engine is running or hot.
- Do not add or drain the fuel in an enclosed space.
- Do not store the machine or fuel container where there is an open flame, spark, or pilot light, such as on a water heater or other appliance.
- If you spill fuel, do not attempt to start the engine; avoid creating any source of ignition until the fuel vapors have dissipated.

Filling the Fuel Tank

Fuel Tank Capacity: 6.1 L (1.6 US gallons)

Recommended Fuel:

- For best results, use only clean, fresh (less than 30 days old), unleaded gasoline with an octane rating of 87 or higher (R+M)/2 rating method).
- Ethanol: Gasoline with up to 10% ethanol (gasohol) or 15% MTBE (methyl tertiary butyl ether) by volume is acceptable. Ethanol and MTBE are not the same. Gasoline with 15% ethanol (E15) by volume is not approved for use. Never use gasoline that contains more than 10% ethanol by volume, such as E15 (contains 15% ethanol), E20 (contains 20% ethanol), or E85 (contains up to 85% ethanol). Using unapproved gasoline may cause performance problems and/or engine damage which may not be covered under warranty.
- Do not use gasoline containing methanol.
- Do not store fuel either in the fuel tank or fuel containers over the winter unless a fuel stabilizer is used.
- Do not add oil to gasoline.

Activating and Charging the Battery

Use only electrolyte (1.265 specific gravity) to fill battery initially.

1. Clean the top of the battery and remove the vent caps (Figure 21).

Important: Do not add electrolyte while the battery is in the machine. You could spill it, causing corrosion.

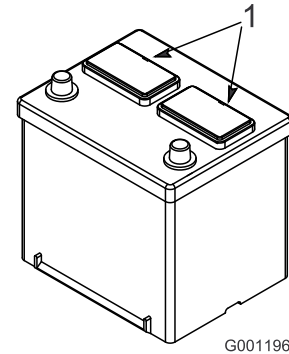


Figure 21

1. Vent caps

2. Carefully fill each cell with electrolyte until the plates are covered with about 6 mm (1/4 inch) of fluid (Figure 22).

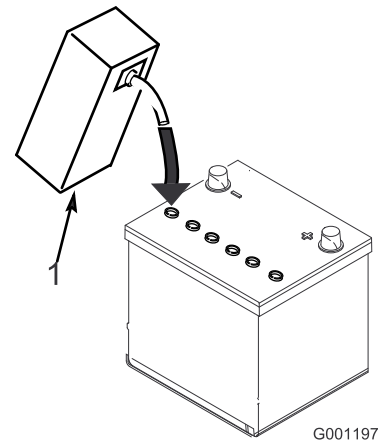


Figure 22

1. Electrolyte

3. Allow approximately 20 to 30 minutes for the electrolyte to soak into the plates. Refill as necessary to bring the electrolyte to within about 6 mm (1/4 inch) of the bottom of the fill well (Figure 22).

⚠ WARNING

Charging the battery produces gasses that can explode.

Never smoke near the battery and keep sparks and flames away from battery.

4. Connect a 3 to 4 amp battery charger to the battery posts. Charge the battery at a rate of 3 to 4 amps until the specific gravity is 1.250 or higher and the temperature is at least 16° C (60° F) with all cells gassing freely.
5. When the battery is charged, disconnect the charger from the electrical outlet and battery posts.

Note: After the battery has been activated, add only distilled water to replace normal loss, although maintenance-free batteries should not require water under normal operating conditions.

⚠ WARNING

Battery terminals or metal tools could short against metal tractor components causing sparks. Sparks can cause the battery gasses to explode, resulting in personal injury.

- **When removing or installing the battery, do not allow the battery terminals to touch any metal parts of the tractor.**
- **Do not allow metal tools to short between the battery terminals and metal parts of the tractor.**

Operating Tips

- Connect the clevis hitch to the tow vehicle. Use a high-strength hitch pin approved for tow vehicles.
- Turn on the fuel valve, place the throttle lever at half throttle, engage the choke, and start the engine. Once the engine starts, turn off the choke and increase the throttle to maximum.
- Test the machine operation. Ensure that there are no hydraulic leaks and make any additional adjustments.
- After testing the hydraulic system, check the hydraulic fluid and add more if required.

Note: Ensure that the pendant and any cords do not drag on the ground during operation.

Notes:

Notes:

Declaration of Incorporation

The Toro Company, 8111 Lyndale Avenue South, Bloomington, MN, USA declares that the following unit(s) conform(s) to the directives listed, when installed in accordance with the accompanying instructions onto certain Toro models as indicated on the relevant Declarations of Conformity.

Model No.	Serial No.	Product Description	Invoice Description	General Description	Directive
44713	315000001 and Up	Hydraulic Power Pack	PROPASS HYD POWER PACK	Hydraulic Power Pack	2006/42/EC

Relevant technical documentation has been compiled as required per Part B of Annex VII of 2006/42/EC.

We will undertake to transmit, in response to requests by national authorities, relevant information on this partly completed machinery. The method of transmission shall be electronic transmittal.

This machinery shall not be put into service until incorporated into approved Toro models as indicated on the associated Declaration of Conformity and in accordance with all instructions, whereby it can be declared in conformity with all relevant Directives.

Certified:



Tom Langworthy
Engineering Director
8111 Lyndale Ave. South
Bloomington, MN 55420, USA
March 25, 2024

Authorized Representative:

Marcel Dutrieux
Manager European Product Integrity
Toro Europe NV
Nijverheidsstraat 5
2260 Oevel
Belgium

UK Declaration of Incorporation

The Toro Company, 8111 Lyndale Avenue South, Bloomington, MN, USA declares that the following unit(s) conform(s) to the regulations listed, when installed in accordance with the accompanying instructions onto certain Toro models as indicated on the relevant Declarations of Conformity.

Model No.	Serial No.	Product Description	Invoice Description	General Description	Regulation
44713	315000001 and Up	Hydraulic Power Pack	PROPASS HYD POWER PACK	Hydraulic Power Pack	S.I. 2008 No. 1597

Relevant technical documentation has been compiled as required per Schedule 10 of S.I. 2008 No. 159.

We will undertake to transmit, in response to requests by national authorities, relevant information on this partly completed machinery. The method of transmission shall be electronic transmittal.

This machinery shall not be put into service until incorporated into approved Toro models as indicated on the associated Declaration of Conformity and in accordance with all instructions, whereby it can be declared in conformity with all relevant Regulations.

This declaration has been issued under the sole responsibility of the manufacturer.
The object of the declaration is in conformity with relevant UK legislation.



Tom Langworthy
Engineering Director
8111 Lyndale Ave. South
Bloomington, MN 55420, USA
March 25, 2024

Authorized Representative:

Marcel Dutrieux
Manager European Product Integrity
Toro U.K. Limited
Spellbrook Lane West
Bishop's Stortford
CM23 4BU
United Kingdom

California Proposition 65 Warning Information

What is this warning?

You may see a product for sale that has a warning label like the following:



WARNING: Cancer and Reproductive Harm—www.p65Warnings.ca.gov.

What is Prop 65?

Prop 65 applies to any company operating in California, selling products in California, or manufacturing products that may be sold in or brought into California. It mandates that the Governor of California maintain and publish a list of chemicals known to cause cancer, birth defects, and/or other reproductive harm. The list, which is updated annually, includes hundreds of chemicals found in many everyday items. The purpose of Prop 65 is to inform the public about exposure to these chemicals.

Prop 65 does not ban the sale of products containing these chemicals but instead requires warnings on any product, product packaging, or literature with the product. Moreover, a Prop 65 warning does not mean that a product is in violation of any product safety standards or requirements. In fact, the California government has clarified that a Prop 65 warning "is not the same as a regulatory decision that a product is 'safe' or 'unsafe.'" Many of these chemicals have been used in everyday products for years without documented harm. For more information, go to <https://oag.ca.gov/prop65/faqs-view-all>.

A Prop 65 warning means that a company has either (1) evaluated the exposure and has concluded that it exceeds the "no significant risk level"; or (2) has chosen to provide a warning based on its understanding about the presence of a listed chemical without attempting to evaluate the exposure.

Does this law apply everywhere?

Prop 65 warnings are required under California law only. These warnings are seen throughout California in a wide range of settings, including but not limited to restaurants, grocery stores, hotels, schools, and hospitals, and on a wide variety of products. Additionally, some online and mail order retailers provide Prop 65 warnings on their websites or in catalogs.

How do the California warnings compare to federal limits?

Prop 65 standards are often more stringent than federal and international standards. There are various substances that require a Prop 65 warning at levels that are far lower than federal action limits. For example, the Prop 65 standard for warnings for lead is 0.5 µg/day, which is well below the federal and international standards.

Why don't all similar products carry the warning?

- Products sold in California require Prop 65 labelling while similar products sold elsewhere do not.
- A company involved in a Prop 65 lawsuit reaching a settlement may be required to use Prop 65 warnings for its products, but other companies making similar products may have no such requirement.
- The enforcement of Prop 65 is inconsistent.
- Companies may elect not to provide warnings because they conclude that they are not required to do so under Prop 65; a lack of warnings for a product does not mean that the product is free of listed chemicals at similar levels.

Why does Toro include this warning?

Toro has chosen to provide consumers with as much information as possible so that they can make informed decisions about the products they buy and use. Toro provides warnings in certain cases based on its knowledge of the presence of one or more listed chemicals without evaluating the level of exposure, as not all the listed chemicals provide exposure limit requirements. While the exposure from Toro products may be negligible or well within the "no significant risk" range, out of an abundance of caution, Toro has elected to provide the Prop 65 warnings. Moreover, if Toro does not provide these warnings, it could be sued by the State of California or by private parties seeking to enforce Prop 65 and subject to substantial penalties.



Toro General Commercial Product Warranty

A Two-Year Limited Warranty

Conditions and Products Covered

The Toro Company and its affiliate, Toro Warranty Company, pursuant to an agreement between them, jointly warrant your Toro Commercial product ("Product") to be free from defects in materials or workmanship for two years or 1500 operational hours*, whichever occurs first. This warranty is applicable to all products with the exception of Aerators (refer to separate warranty statements for these products). Where a warrantable condition exists, we will repair the Product at no cost to you including diagnostics, labor, parts, and transportation. This warranty begins on the date the Product is delivered to the original retail purchaser.

* Product equipped with an hour meter.

Instructions for Obtaining Warranty Service

You are responsible for notifying the Commercial Products Distributor or Authorized Commercial Products Dealer from whom you purchased the Product as soon as you believe a warrantable condition exists. If you need help locating a Commercial Products Distributor or Authorized Dealer, or if you have questions regarding your warranty rights or responsibilities, you may contact us at:

Toro Commercial Products Service Department
Toro Warranty Company
8111 Lyndale Avenue South
Bloomington, MN 55420-1196
952-888-8801 or 800-952-2740
E-mail: commercial.warranty@toro.com

Owner Responsibilities

As the Product owner, you are responsible for required maintenance and adjustments stated in your *Operator's Manual*. Failure to perform required maintenance and adjustments can be grounds for disallowing a warranty claim.

Items and Conditions Not Covered

Not all product failures or malfunctions that occur during the warranty period are defects in materials or workmanship. This warranty does not cover the following:

- Product failures which result from the use of non-Toro replacement parts, or from installation and use of add-on, or modified non-Toro branded accessories and products. A separate warranty may be provided by the manufacturer of these items.
- Product failures which result from failure to perform recommended maintenance and/or adjustments. Failure to properly maintain your Toro product per the Recommended Maintenance listed in the *Operator's Manual* can result in claims for warranty being denied.
- Product failures which result from operating the Product in an abusive, negligent, or reckless manner.
- Parts subject to consumption through use unless found to be defective. Examples of parts which are consumed, or used up, during normal Product operation include, but are not limited to, brake pads and linings, clutch linings, blades, reels, rollers and bearings (sealed or greasable), bed knives, spark plugs, castor wheels and bearings, tires, filters, belts, and certain sprayer components such as diaphragms, nozzles, and check valves, etc.
- Failures caused by outside influence. Conditions considered to be outside influence include, but are not limited to, weather, storage practices, contamination, use of unapproved fuels, coolants, lubricants, additives, fertilizers, water, or chemicals, etc.
- Failure or performance issues due to the use of fuels (e.g. gasoline, diesel, or biodiesel) that do not conform to their respective industry standards.

Countries Other than the United States or Canada

Customers who have purchased Toro products exported from the United States or Canada should contact their Toro Distributor (Dealer) to obtain guarantee policies for your country, province, or state. If for any reason you are dissatisfied with your Distributor's service or have difficulty obtaining guarantee information, contact the Toro importer.

- Normal noise, vibration, wear and tear, and deterioration.
- Normal "wear and tear" includes, but is not limited to, damage to seats due to wear or abrasion, worn painted surfaces, scratched decals or windows, etc.

Parts

Parts scheduled for replacement as required maintenance are warranted for the period of time up to the scheduled replacement time for that part. Parts replaced under this warranty are covered for the duration of the original product warranty and become the property of Toro. Toro will make the final decision whether to repair any existing part or assembly or replace it. Toro may use remanufactured parts for warranty repairs.

Deep Cycle and Lithium-Ion Battery Warranty:

Deep cycle and Lithium-Ion batteries have a specified total number of kilowatt-hours they can deliver during their lifetime. Operating, recharging, and maintenance techniques can extend or reduce total battery life. As the batteries in this product are consumed, the amount of useful work between charging intervals will slowly decrease until the battery is completely worn out. Replacement of worn out batteries, due to normal consumption, is the responsibility of the product owner. Battery replacement may be required during the normal product warranty period at owner's expense. Note: (Lithium-Ion battery only): A Lithium-Ion battery has a part only prorated warranty beginning year 3 through year 5 based on the time in service and kilowatt hours used. Refer to the *Operator's Manual* for additional information.

Maintenance is at Owner's Expense

Engine tune-up, lubrication, cleaning and polishing, replacement of filters, coolant, and completing recommended maintenance are some of the normal services Toro products require that are at the owner's expense.

General Conditions

Repair by an Authorized Toro Distributor or Dealer is your sole remedy under this warranty.

Neither The Toro Company nor Toro Warranty Company is liable for indirect, incidental or consequential damages in connection with the use of the Toro Products covered by this warranty, including any cost or expense of providing substitute equipment or service during reasonable periods of malfunction or non-use pending completion of repairs under this warranty. Except for the Emissions warranty referenced below, if applicable, there is no other express warranty. All implied warranties of merchantability and fitness for use are limited to the duration of this express warranty.

Some states do not allow exclusions of incidental or consequential damages, or limitations on how long an implied warranty lasts, so the above exclusions and limitations may not apply to you. This warranty gives you specific legal rights, and you may also have other rights which vary from state to state.

Note regarding engine warranty:

The Emissions Control System on your Product may be covered by a separate warranty meeting requirements established by the U.S. Environmental Protection Agency (EPA) and/or the California Air Resources Board (CARB). The hour limitations set forth above do not apply to the Emissions Control System Warranty. Refer to the Engine Emission Control Warranty Statement supplied with your product or contained in the engine manufacturer's documentation for details



Count on it.