



Count on it.

Parts Catalog

**GeoLink® Precision Spray
System Finishing Kit**

**Serial Number 415400000 and After Multi
Pro® 1750 Turf Sprayer**

Model No. 41707—Serial No. 400000000 and Up



Ordering Replacement Parts

To order replacement parts, please supply the part number, the quantity, and the description of each part desired.

Understanding Reference Numbers

Each identified part in an illustration has a reference number. The reference number for a part also appears in the parts list, along with other information about the part.

This catalog uses two special reference number formats, one to indicate parts in a service assembly and another to indicate the quantity of a given part in an illustration.

Service Assembly Reference Numbers

Parts in service assemblies have reference numbers in the form a:b. The a represents the reference number of the entire service assembly and the b represents a sequential number unique to each part within the service assembly.

For example, a wheel assembly might be identified by reference number 6, the tire by 6:1, the valve by 6:2, and the wheel by 6:3. When you order the assembly identified by reference number 6, you receive all parts identified by reference numbers 6:1, 6:2, and 6:3. However, you may also order any part individually. Reference numbers of this type appear in illustration and in parts lists.

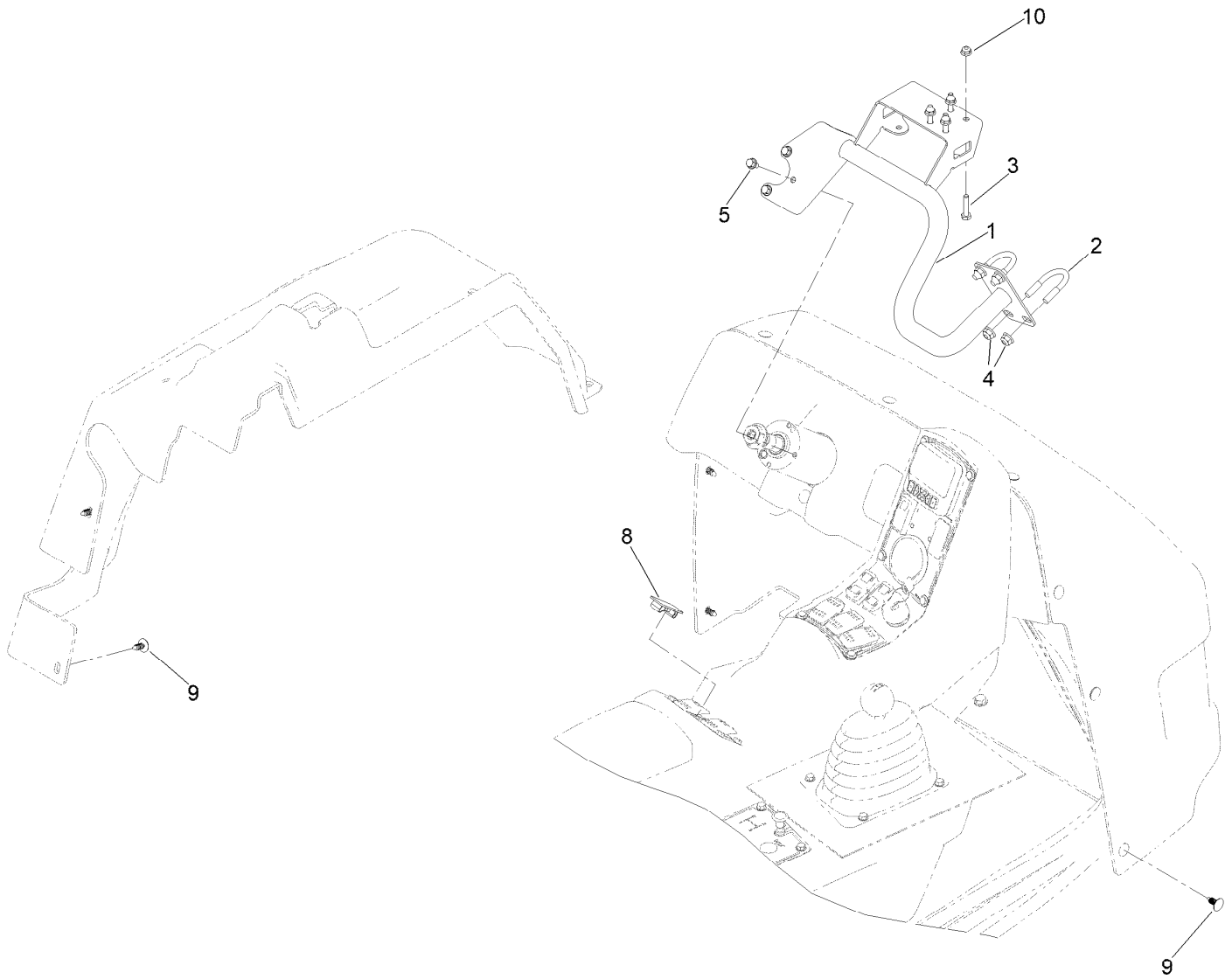
Reference Numbers Indicating Quantity

In an illustration, if a reference number indicates more than one part, the reference number has the form nX y. The n represents the quantity of the part, the X is the multiplication symbol, and the y represents the reference number.

For example, in an illustration, the reference number 2X 37 means that two of the parts identified by reference number 37 are indicated.

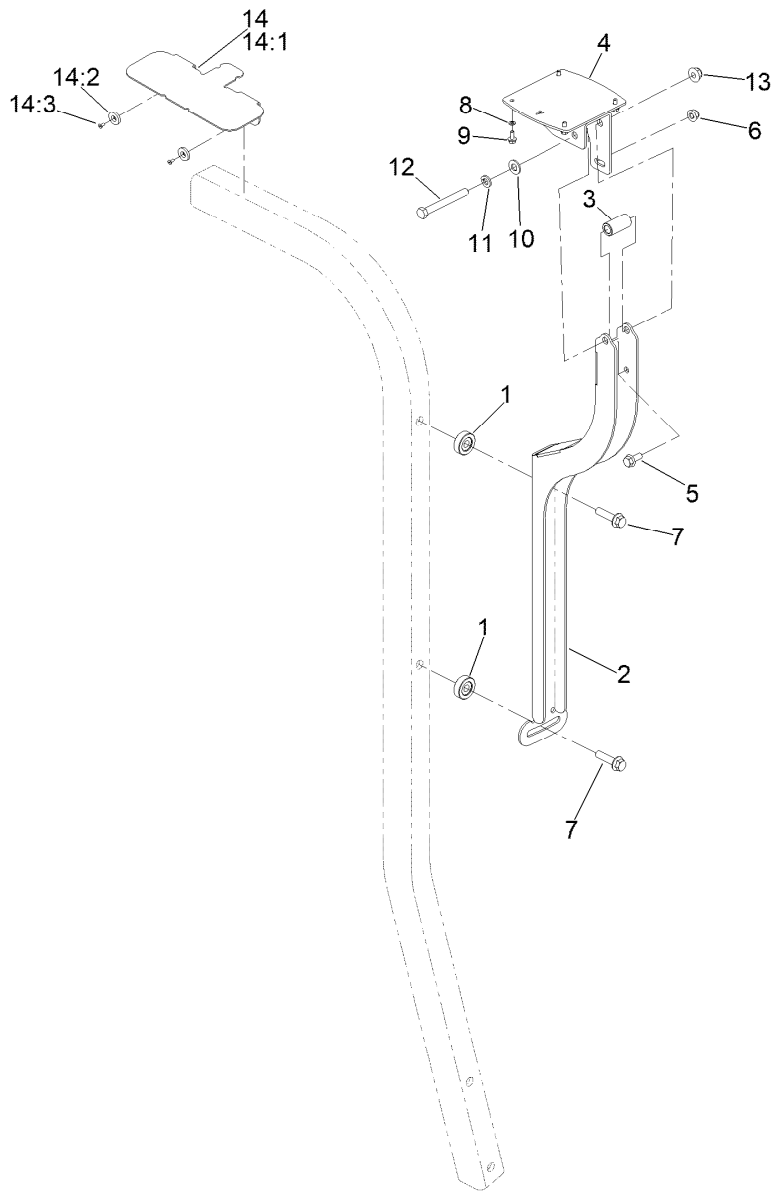
Contents

Monitor Mount Assembly.....	4
Receiver and Antenna Mount.....	5
Manifold Connection Assembly.....	6
Hose Assembly No. 136-0467.....	7
Valve Mount and Hose Assembly.....	8
Manifold Assembly.....	10
3-Way Valve Assembly No. 147-3183.....	11
Actuator On/Off Assembly No. 140-7377.....	12
Bypass Valve Assembly No. 127-9805.....	13
Center Boom Assembly.....	14
Double Turret Body Assembly No. 108-3727.....	15
Electrical Assembly.....	16



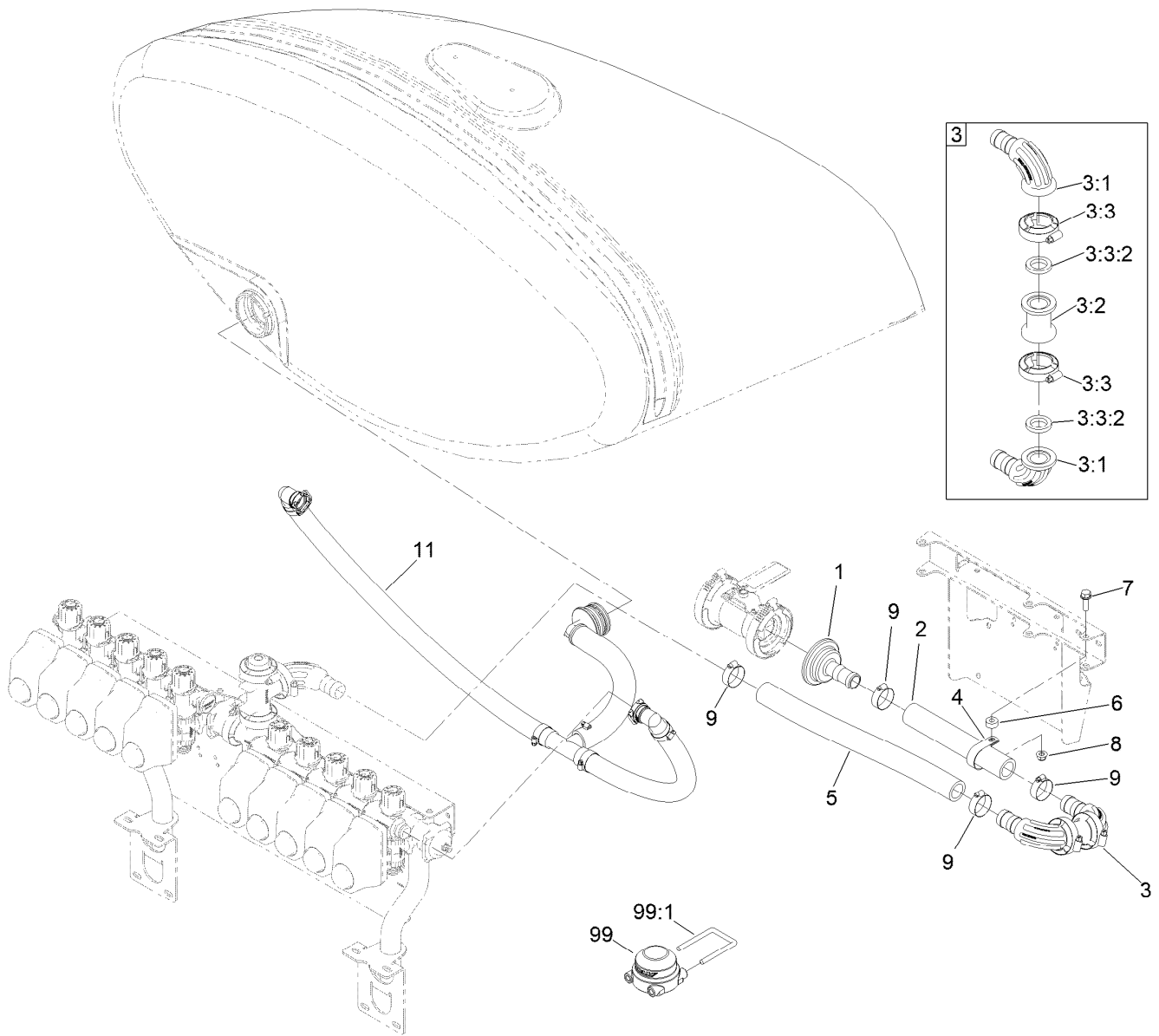
Monitor Mount Assembly

<i>Ref.</i>	<i>Part Number</i>	<i>Qty.</i>	<i>Description</i>
1	133-2844-03	1	Mount-Monitor
2	60-9350	2	U-Bolt
3	114-0282	4	Screw-HH
4	104-8300	4	Nut-HF, NI
5	33103-012	3	Screw-HHF
8	99-7420	1	Plug-Hole
9	117-2382	14	Plug-Plastic
10	104-7201	4	Nut-HF, NI



Receiver and Antenna Mount

<i>Ref.</i>	<i>Part Number</i>	<i>Qty.</i>	<i>Description</i>	<i>Ref.</i>	<i>Part Number</i>	<i>Qty.</i>	<i>Description</i>
1	133-2896	2	Spacer-Standoff	10	3256-24	1	Washer-Plain
2	133-2891-03	1	Mount-Receiver	11	3253-21	1	Washer-Lock
3	110-3726	1	Spacer	12	323-20	1	Screw-HH
4	145-3361-03	1	Receiver-Mount ASM [black]	13	104-8301	1	Nut-HF, NI
5	3234-47	1	Screw-HHF	14	147-3178	1	Antenna Mount, ASM
6	104-8300	1	Nut-HF, NI	14:1	147-3177-03	1	Bracket-Mount, Antenna
7	114-4681	2	Screw-HHF	14:2	140-7369	2	Magnet
8	43-5920	4	Washer-Lock, Spring	14:3	3290-55	2	Rivet-Pop
9	120-4579	4	Screw-HHF				

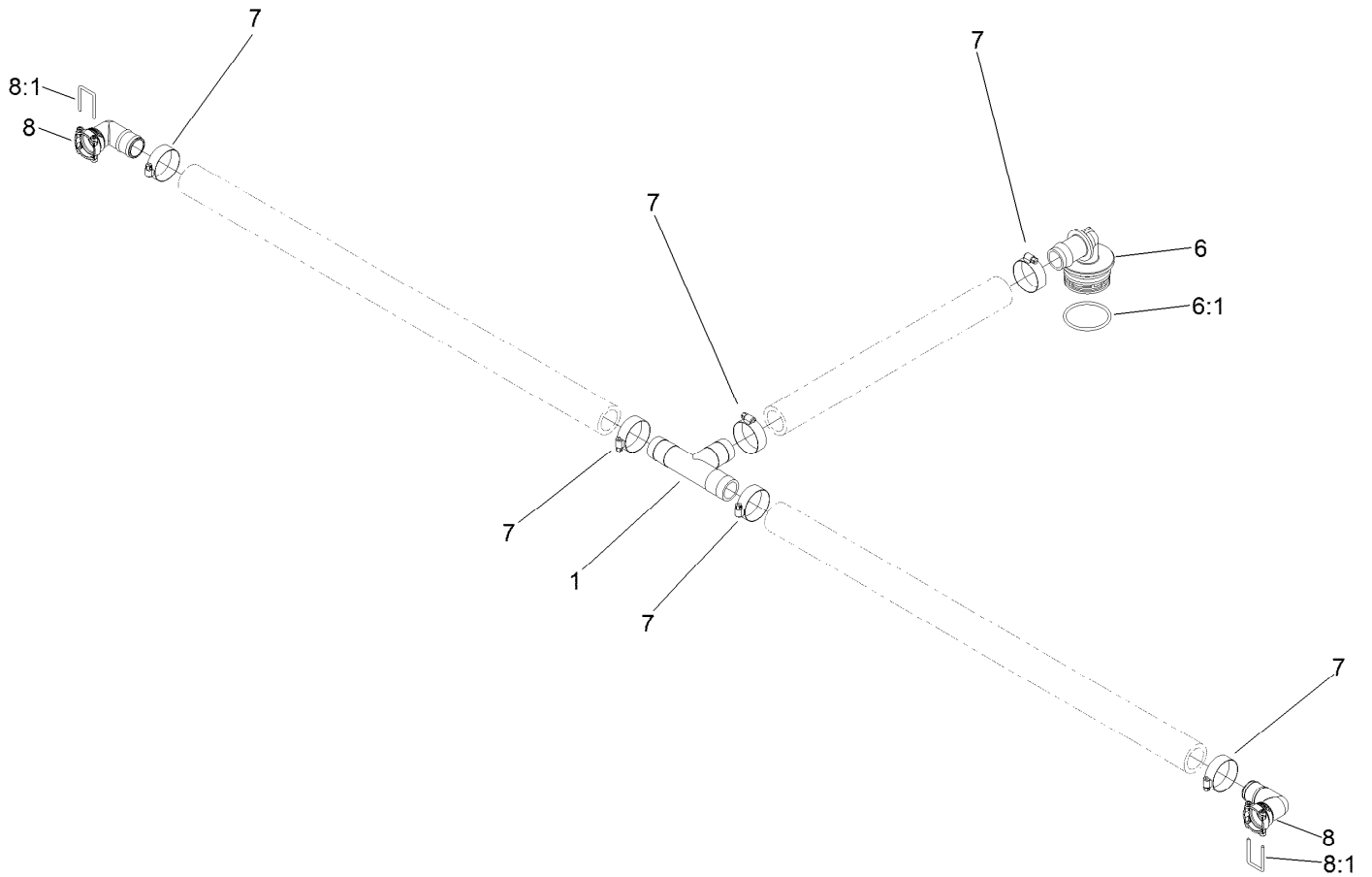


Manifold Connection Assembly

Ref.	Part Number	Qty.	Description
1	107-8704	1	Hosebarb
2	132-4258	1	Hose
3	138-0646	1	Manifold-Connection
3:1	131-0241	2	Fitting-Elb 90
3:2	127-9814	1	Fitting-Adapter
3:3	127-9829	2	Clamp/Gasket Kit
3:3:2	127-1145	1	Gasket-Flange
4	2412-74	1	R-Clamp
5	132-4311	1	Hose-Agitation

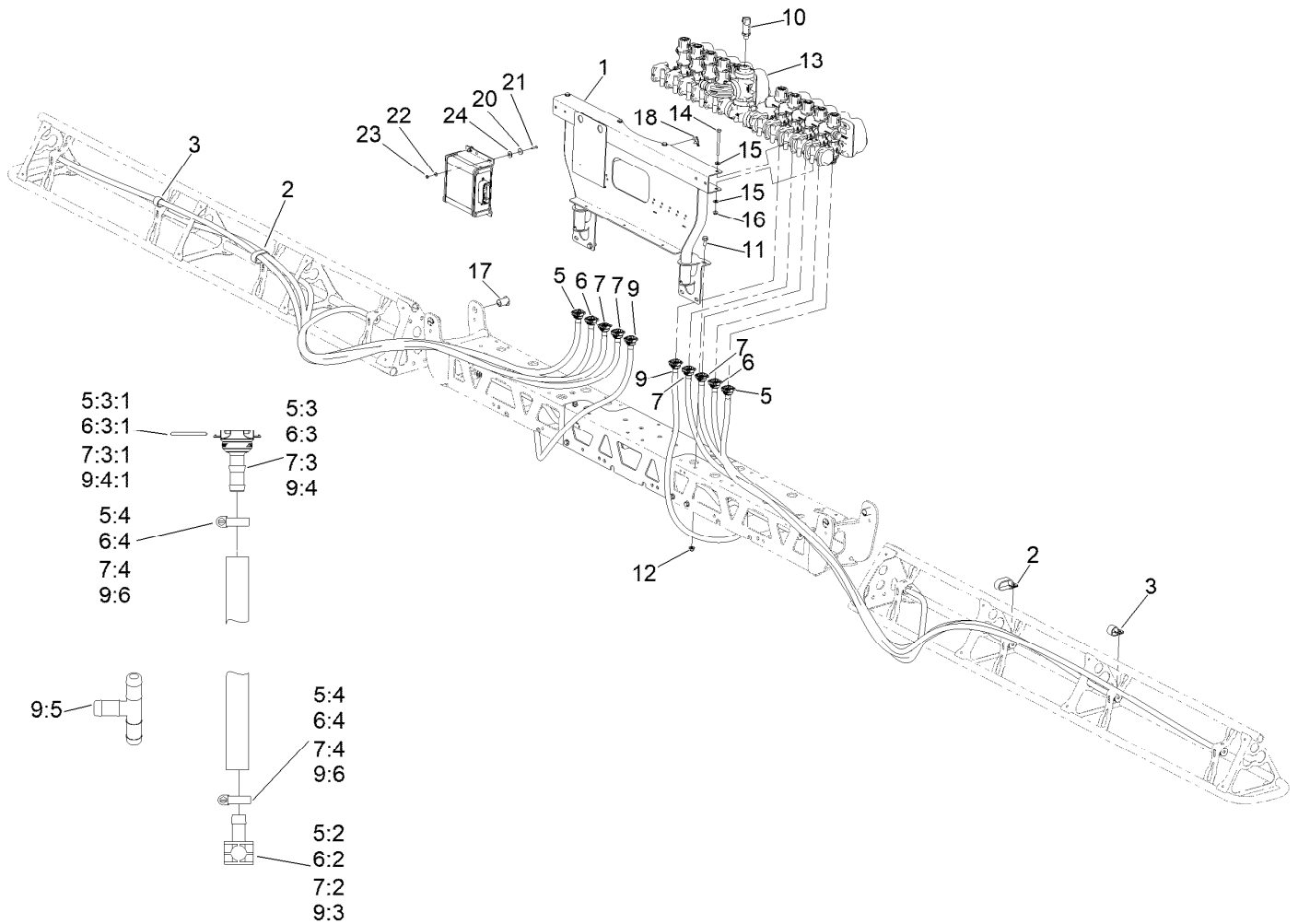
Ref.	Part Number	Qty.	Description
6	121-1759	1	Spacer
7	3234-29	1	Screw-HHF
8	104-8300	1	Nut-HF, NI
9	2412-34	4	Clamp-Hose
11	136-0467	1	Hose Assembly
99	127-9811	1	Fitting-Cap, Female
99	131-5838	1	Shutoff Bypass Valve ASM ●
99:1	133-0398	1	Pin-Fork

● Not illustrated



Hose Assembly No. 136-0467

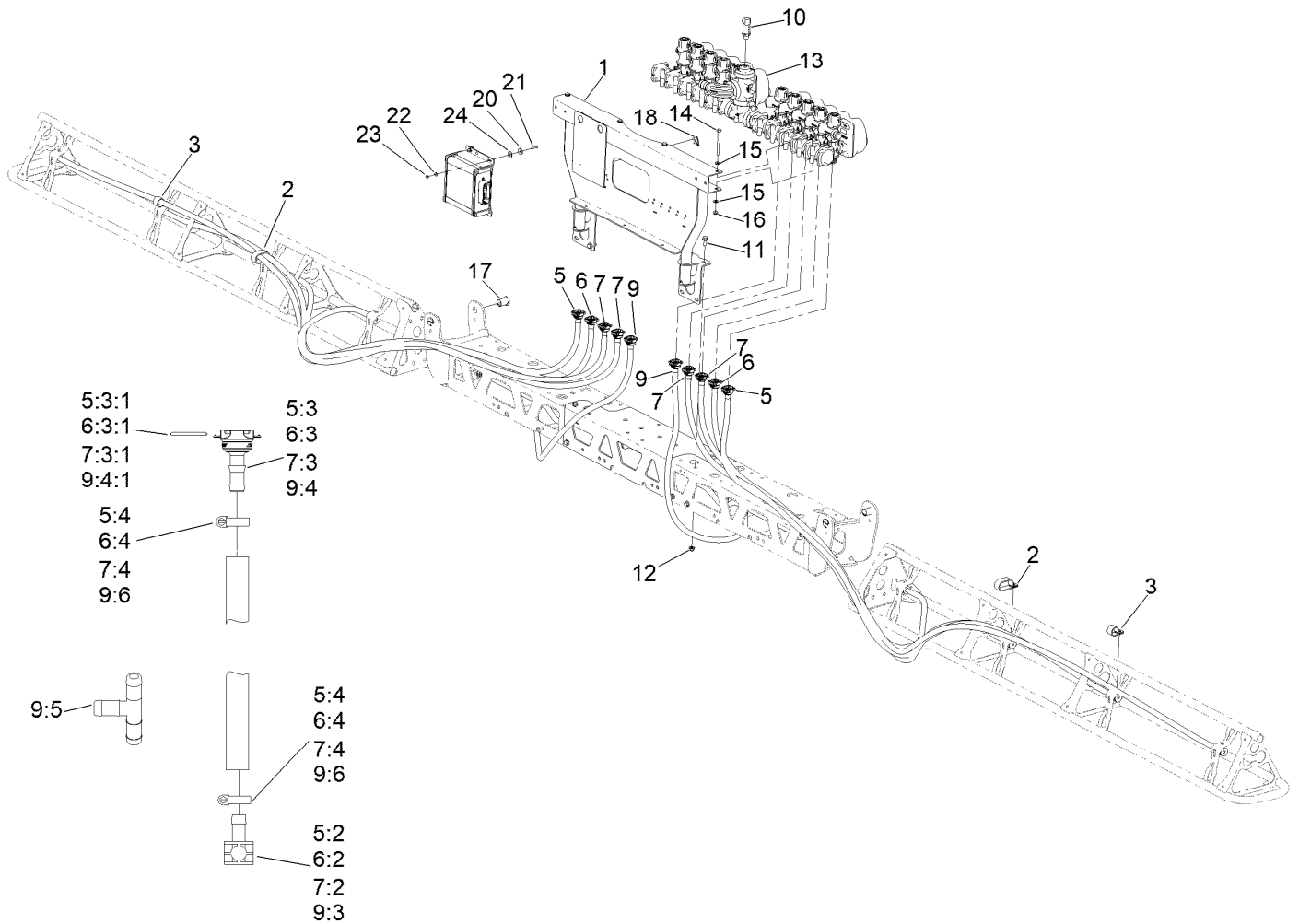
<i>Ref.</i>	<i>Part Number</i>	<i>Qty.</i>	<i>Description</i>
1	117-7866	1	Tee-Hosebarb
6	106-4933	1	Hosebarb ASM
6:1	100-8637	1	O-Ring
7	2412-34	6	Clamp-Hose
8	131-0213	2	90 DEG Barb Fitting Kit
8:1	133-0398	1	Pin-Fork



Valve Mount and Hose Assembly

Ref.	Part Number	Qty.	Description	Ref.	Part Number	Qty.	Description
1	147-4683-03	1	Mount-Valve, GPS [black]	9	131-7292	2	Hose Nozzle ASM
2	2412-137	2	Clamp-R, Double	9:3	130-7265	2	Shank-Nozzle, Single
3	2412-39	2	Clamp-R	9:4	139-3088	1	Kit-Fitting, Qc 1/2" STR Barb
5	131-7288	2	Hose Nozzle ASM	9:4:1	133-0398	1	Pin-Fork
5:2	130-7265	1	Shank-Nozzle, Single	9:5	131-3736	1	Fitting-Tee, Barb
5:3	139-3088	1	Kit-Fitting, Qc 1/2" STR Barb	9:6	2412-36	6	Clamp-Hose
5:3:1	133-0398	1	Pin-Fork	10	130-8202	1	Transducer-Pressure
5:4	2412-36	2	Clamp-Hose	11	3234-47	8	Screw-HHF
6	131-7289	2	Hose Nozzle ASM	12	104-8300	8	Nut-HF, NI
6:2	130-7265	1	Shank-Nozzle, Single	13		1	Manifold ASM-Geolink, Mp1750 ●
6:3	139-3088	1	Kit-Fitting, Qc 1/2" STR Barb	14	321-23	4	Screw-HH
6:3:1	133-0398	1	Pin-Fork	15	3256-22	8	Washer-Flat
6:4	2412-36	2	Clamp-Hose	16	104-7201	4	Nut-HF, NI
7	131-7290	4	Hose Nozzle ASM	17	100-8541	4	Bushing-A Arm
7:2	130-7265	1	Shank-Nozzle, Single	18	32180-161	3	Clip-Connector
7:3	139-3088	1	Kit-Fitting, Qc 1/2" STR Barb	20	140-7369	4	Magnet
7:3:1	133-0398	1	Pin-Fork	21	147-4691	4	Screw-PFH
7:4	2412-36	2	Clamp-Hose				

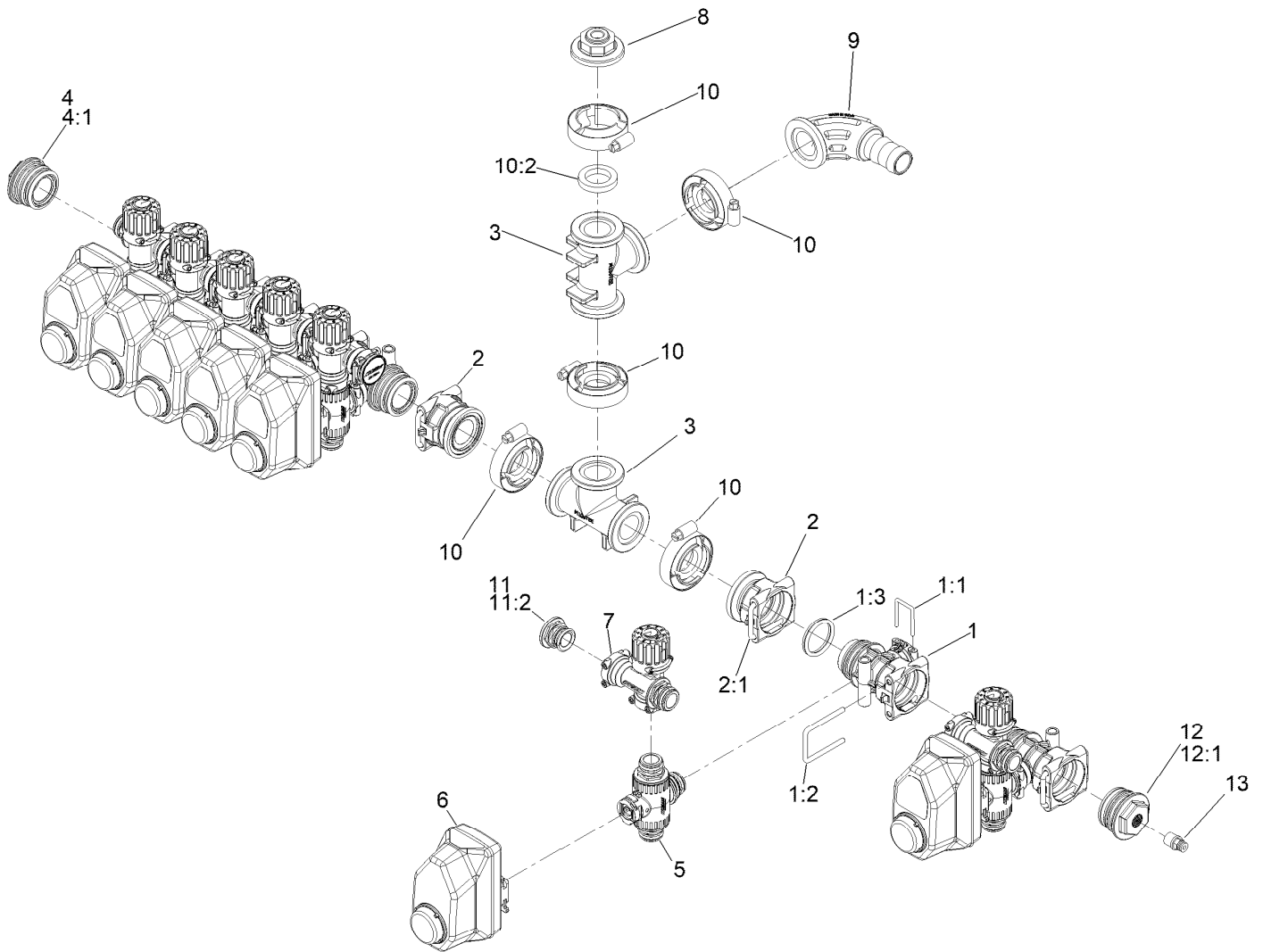
● Not serviced separately



Valve Mount and Hose Assembly (continued)

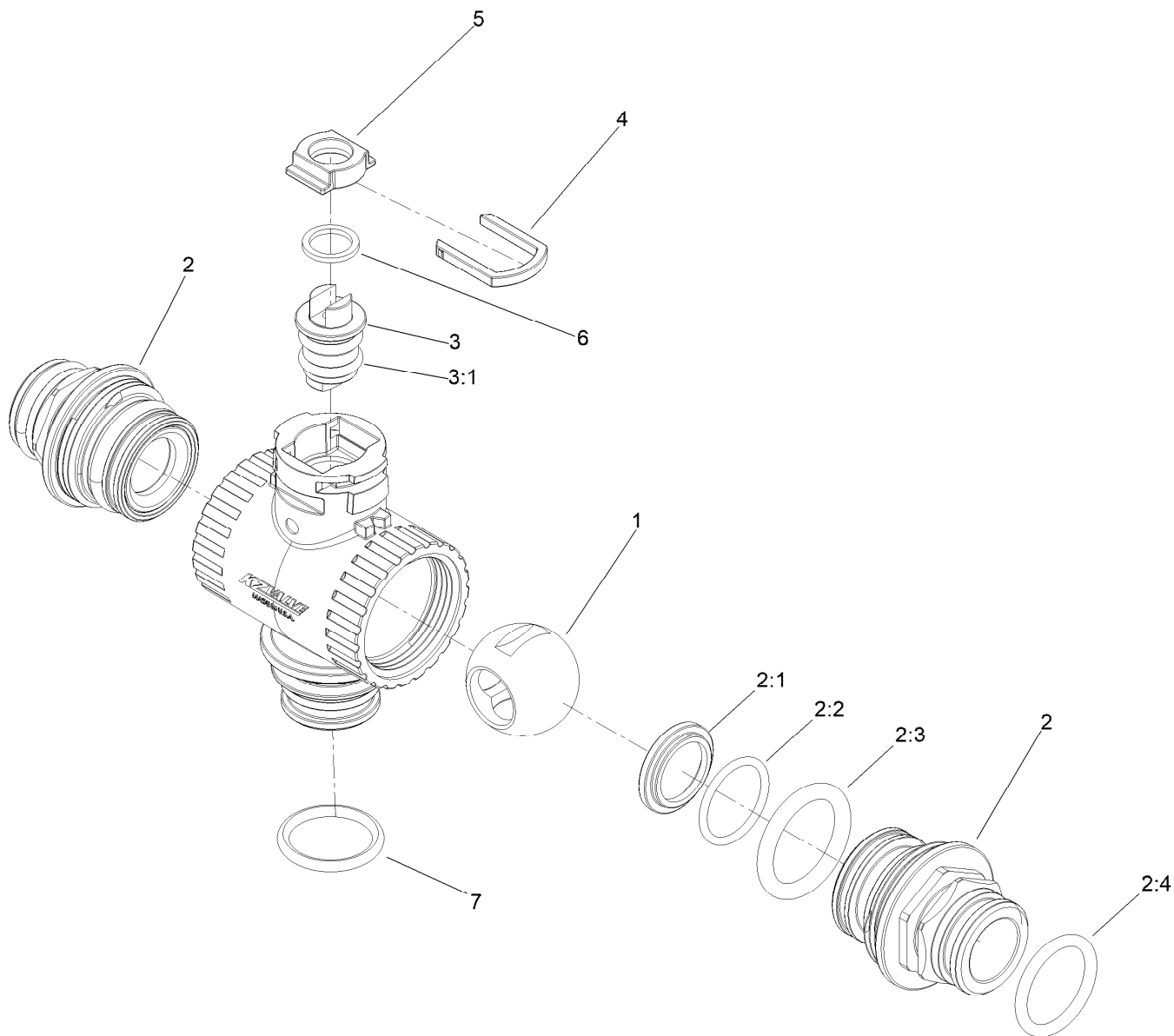
Ref.	Part Number	Qty.	Description	Ref.	Part Number	Qty.	Description
22	3256-21	4	Washer-Flat	23	3296-1	4	Nut-Lock
				24	3256-2	2	Washer-Flat

● Not serviced separately



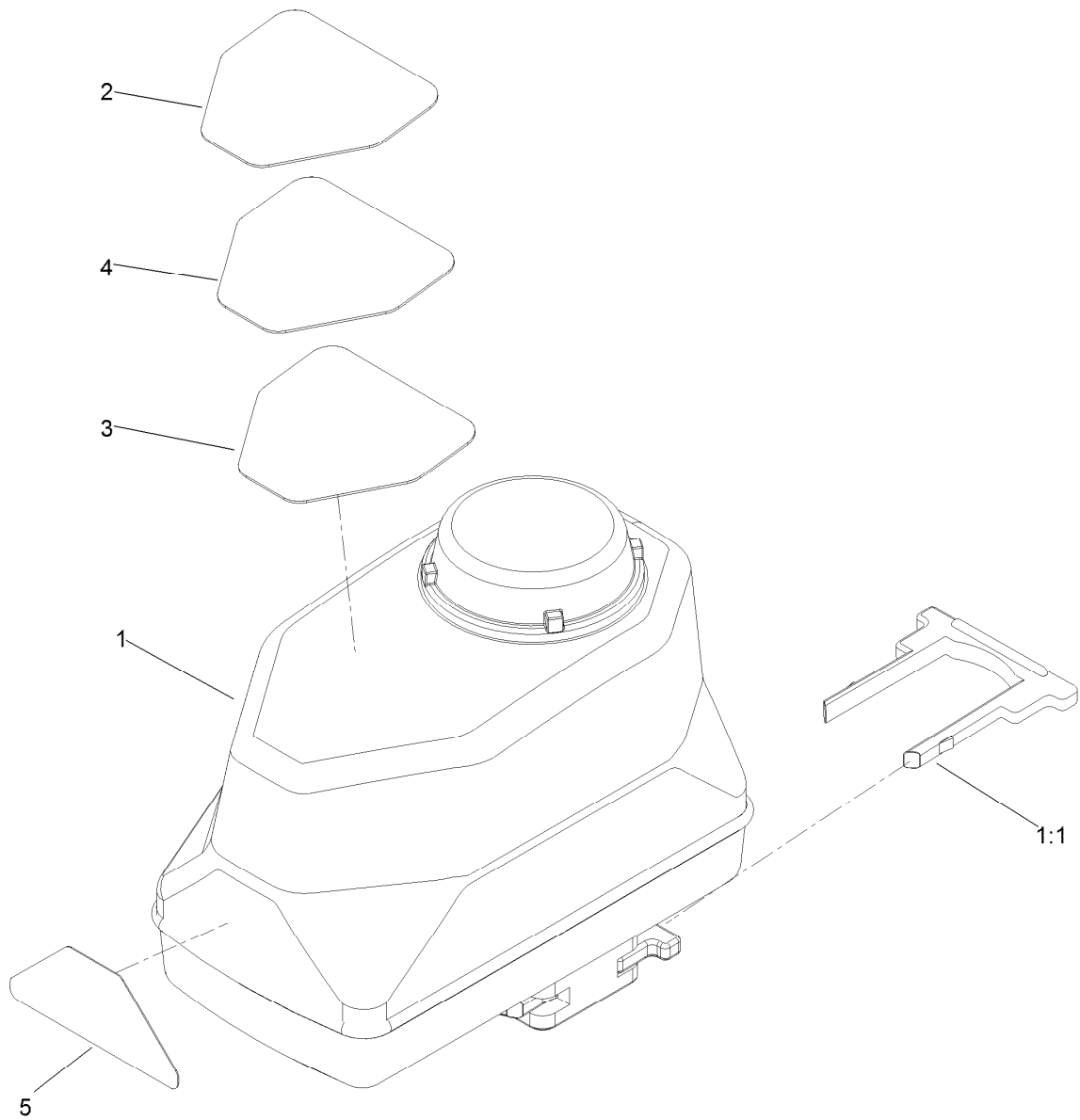
Manifold Assembly

<i>Ref.</i>	<i>Part Number</i>	<i>Qty.</i>	<i>Description</i>	<i>Ref.</i>	<i>Part Number</i>	<i>Qty.</i>	<i>Description</i>
1	147-3187	7	Kit-Qf, Manifold Tee	7	127-9805	7	Bypass Valve ASM
1:1	147-3185	1	Pin-Fork, Qf Small	8	127-1185	1	Fitting-Cap, Port
1:2	147-3186	1	Pin-Fork, Qf Large	9	131-0241	1	Fitting-Elb 90
1:3	147-3188	1	Seal-Manifold, Qf Series	10	127-9829	5	Clamp/Gasket Kit
2	147-3189	2	Kit-Qf, Flange-M100 Female	10:2	127-1145	1	Gasket-Flange
2:1	147-3186	1	Pin-Fork, Qf Large	11	127-9810	2	Male Cap Fitting Kit
3	127-9834	2	Fitting-Tee	11:2	127-1187	1	O-Ring, Endcap
4	147-3193	1	Kit Qf, Plug-Male W/O Port	12	161-4187	1	Kit Qf, Plug-Male W/Port
4:1	147-3188	1	Seal-Manifold, Qf Series	12:1	147-3188	1	Seal-Manifold, Qf Series
5	147-3183	7	Kit-Tx2 - 3Way Manifold	13	131-3709	1	Coupler
6	140-7377	7	Kit-Actuator Pi, On/Off				



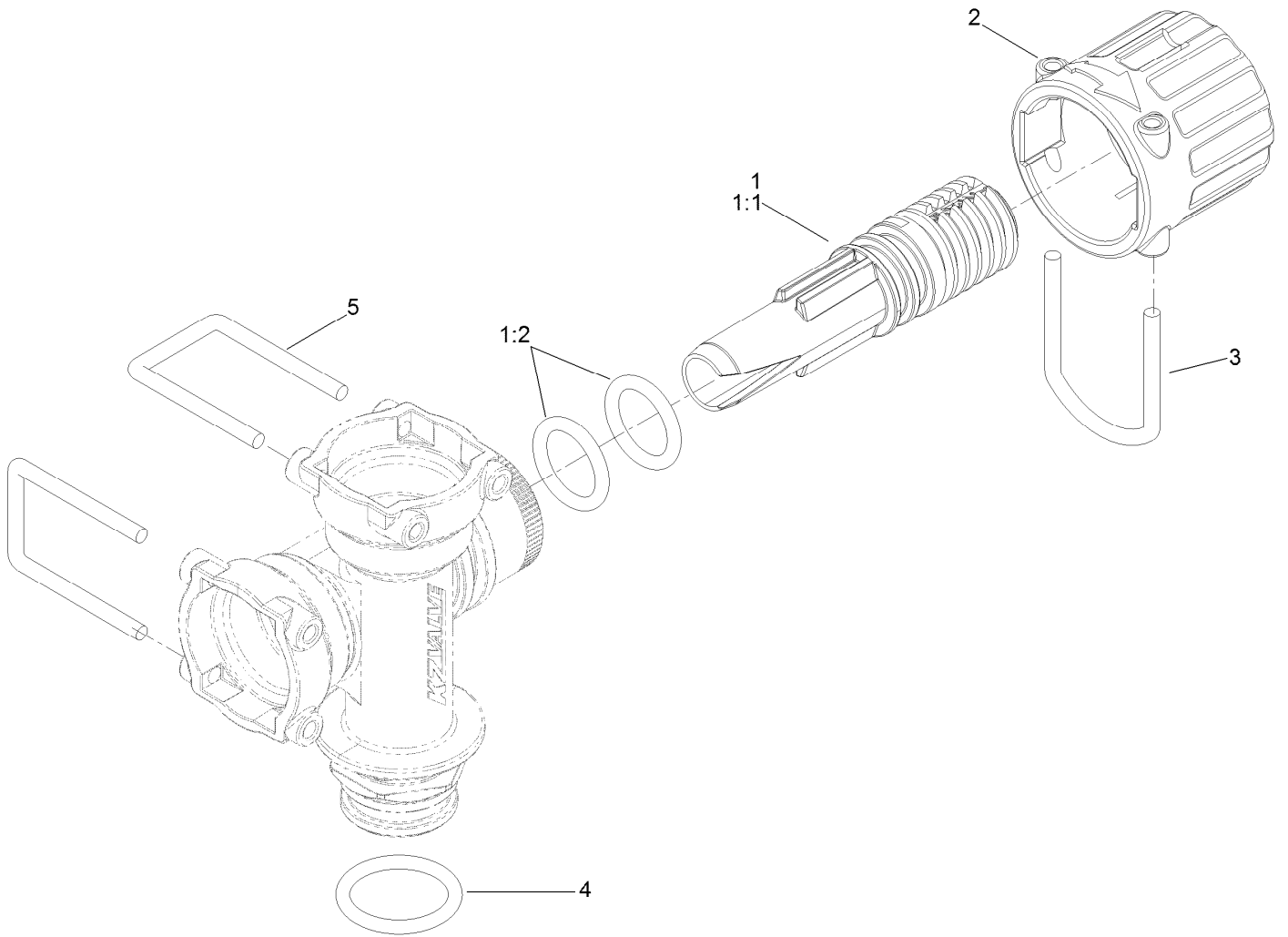
3-Way Valve Assembly No. 147-3183

Ref.	Part Number	Qty.	Description
1	127-1194	1	Ball-Valve, 3Way
2	130-7317	2	Endcap Kit
2:1	127-1192	1	Seat-Ball
2:2	127-1188	1	O-Ring, Seat (Ball)
2:3	127-1189	1	O-Ring, Endcap
2:4	127-1187	1	O-Ring, Endcap
3	130-8248	1	Valve Stem Kit
3:1	127-1197	2	O-Ring-Stem
4	127-1190	1	Fork-Stem, Valve
5	127-1195	1	Seat-Stem, Valve
6	127-1196	1	Washer-Stem, Valve
7	127-1187	1	O-Ring, Endcap



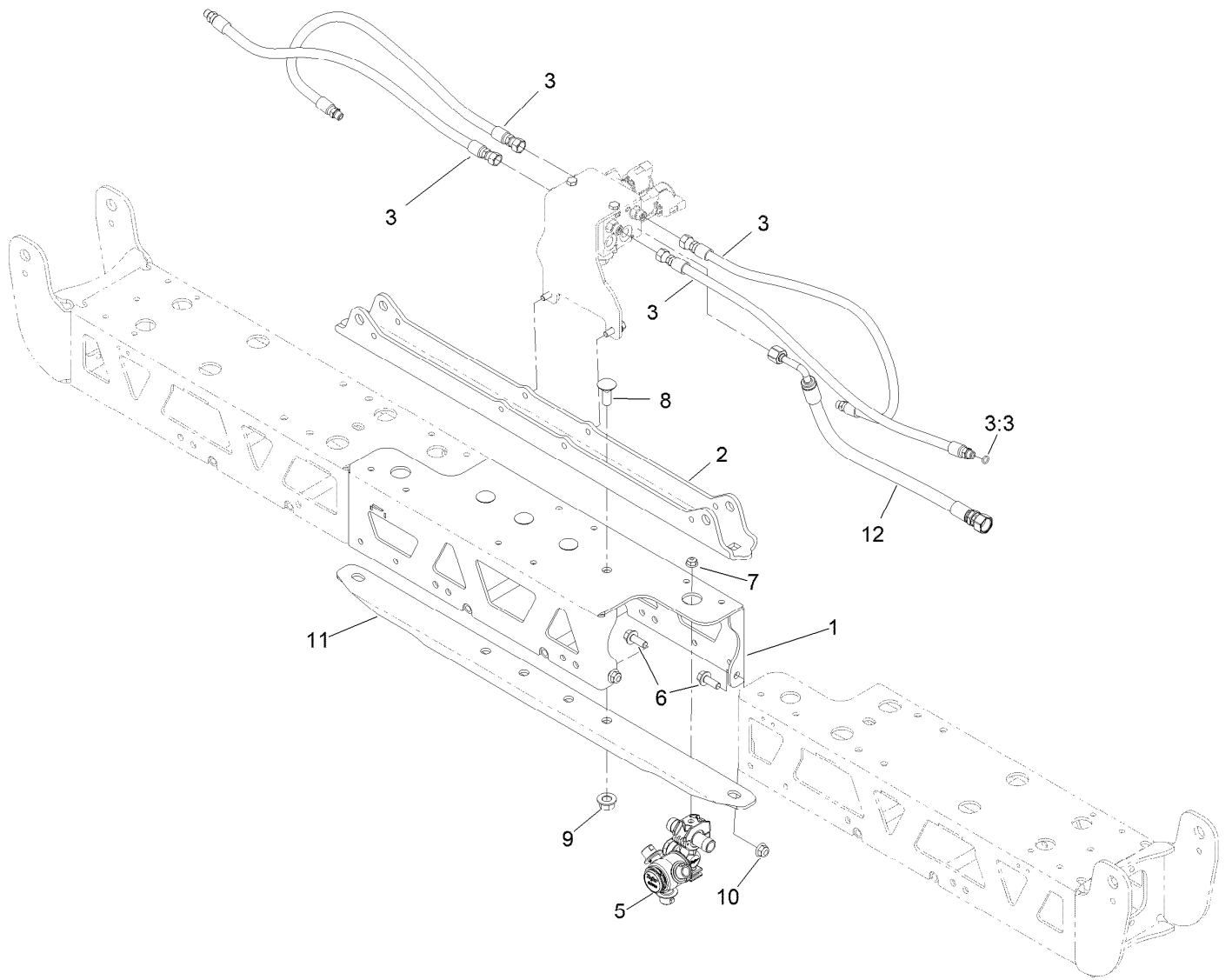
Actuator On/Off Assembly No. 140-7377

<i>Ref.</i>	<i>Part Number</i>	<i>Qty.</i>	<i>Description</i>
1	140-7315	1	Actuator - On/Off
1:1	130-7301	1	Hairpin-Actuator
2	127-6979	1	Decal-Valve, Agitation
3	127-6981	1	Decal-Valve, On/Off
4	127-6982	1	Decal-Valve, Master Boom
5	127-6976	1	Decal-Valve, Bypass Adjust



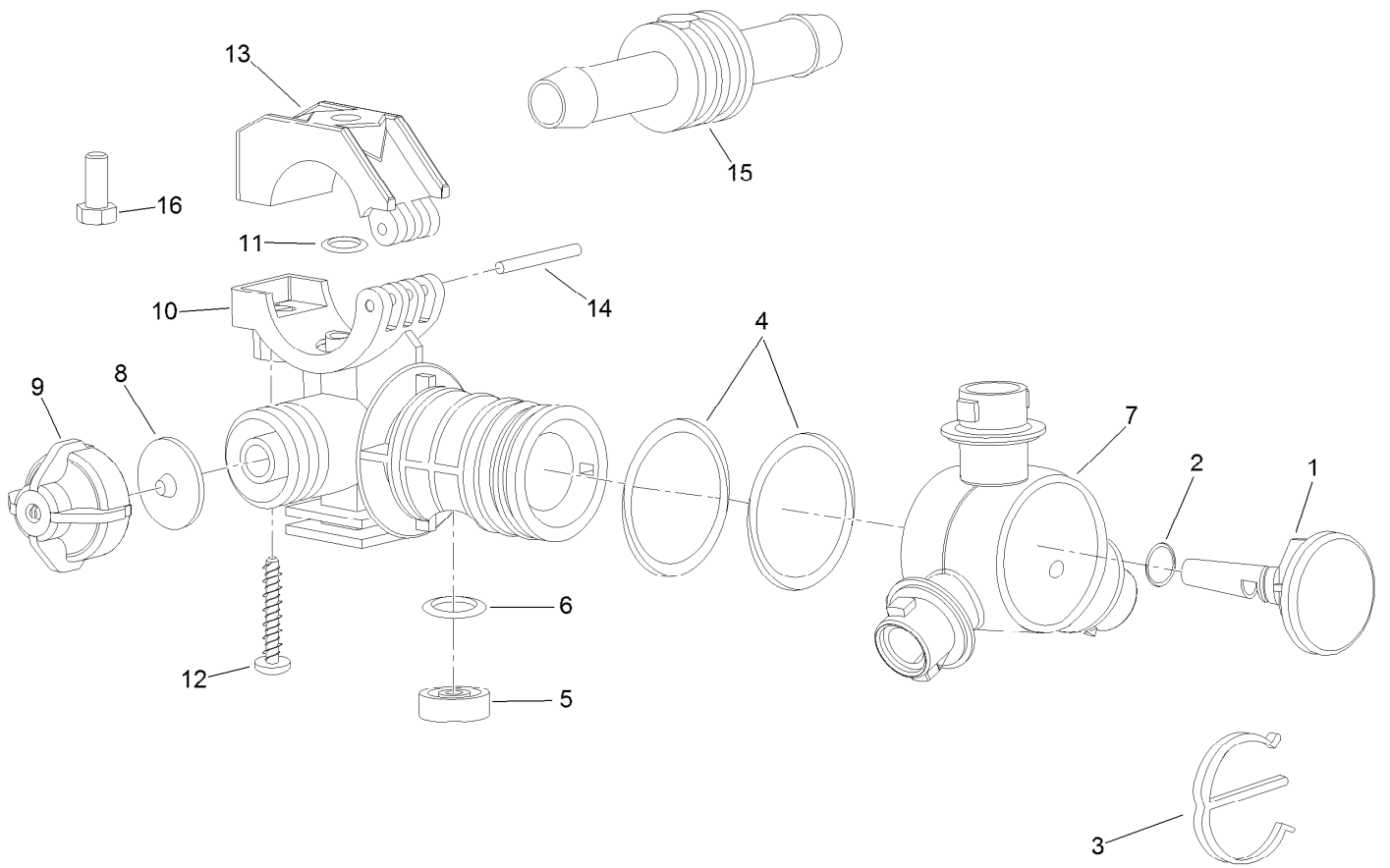
Bypass Valve Assembly No. 127-9805

<i>Ref.</i>	<i>Part Number</i>	<i>Qty.</i>	<i>Description</i>
1	131-0298	1	Bypass Needle Kit
1:1	127-1182	1	Needle-Bypass
1:2	127-1181	2	Oring-Bypass Needle
2	127-1180	1	Knob-Bypass
3	127-1179	1	Fork-Bypass Knob
4	127-1187	1	O-Ring, Endcap
5	133-0398	2	Pin-Fork



Center Boom Assembly

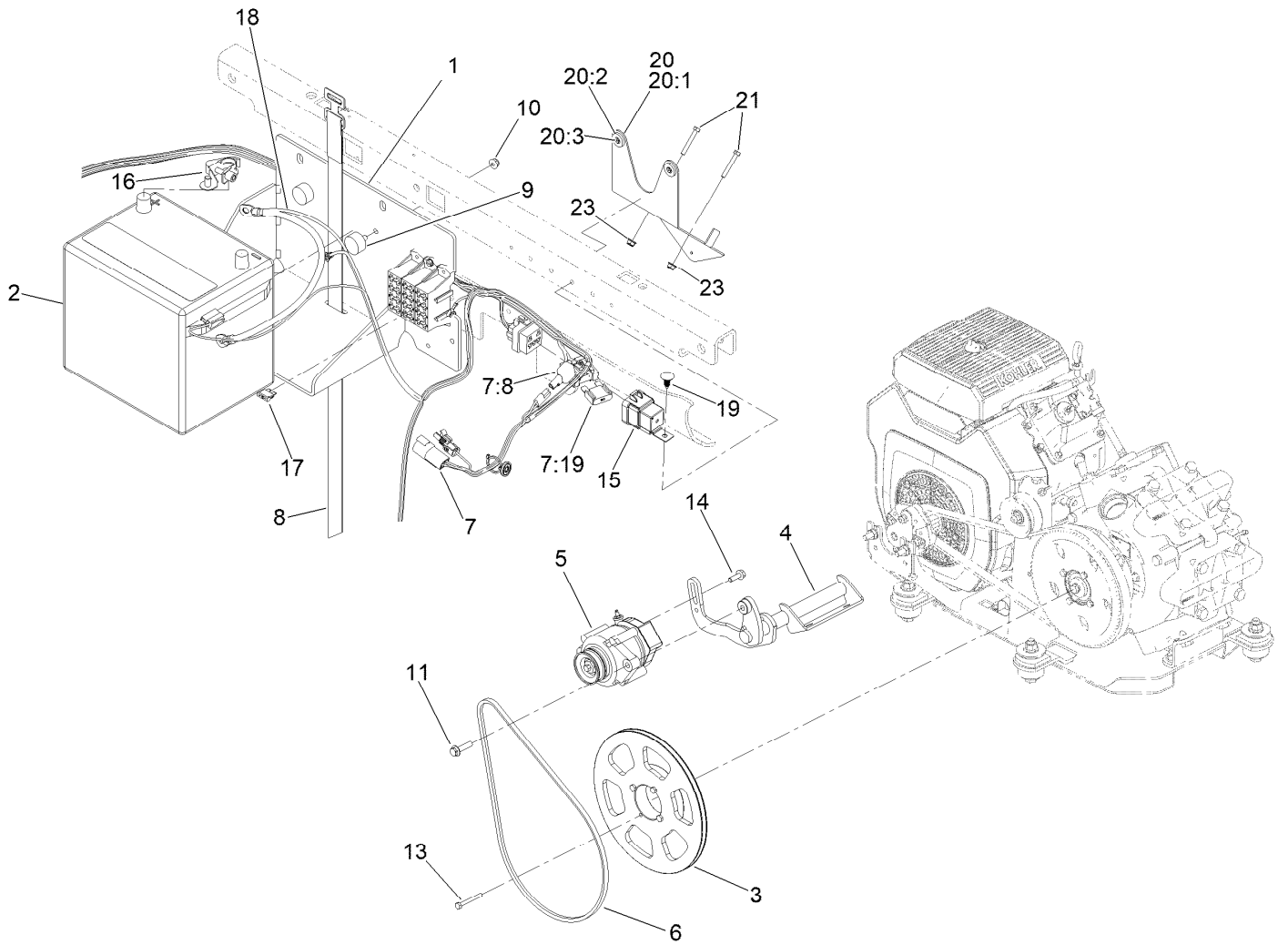
Ref.	Part Number	Qty.	Description
1	133-0412-03	1	Center-Center, Boom
2	131-0275-03	1	Plate-Mount
3	131-0276	4	Hose ASM
3:3	237-78	1	O-Ring
5	108-3727	1	Double Turret Body ASM
6	3234-42	4	Screw-HHF
7	104-8300	1	Nut-HF, NI
8	110-5067	4	Screw-CARR
9	99-5107	4	Nut-Lock
10	104-8301	4	Nut-HF, NI
11	131-0285-03	1	Stiffener-Channel
12	161-4184	1	HYD Hose ASM



Double Turret Body Assembly No. 108-3727

Ref.	Part Number	Qty.	Description
1	95-9200	1	Plug
2	95-9198	1	O-Ring
3	95-9197	1	E-Clip
4	95-9199	2	O-Ring
5	108-3264	1	Seal-Viton
6	108-3265	1	O-Ring-Viton
7	95-9196	1	Turret
8	41003	1	Diaphragm

Ref.	Part Number	Qty.	Description
9	95-9193	1	Cap-Diaphragm
10	95-9192	1	Body-Split Eyelet
11	95-9191	1	O-Ring
12	99-0811	1	Screw-Clamp
13	99-0812	1	Clamp-Upper
14	99-0814	1	Pin-Pivot
15	95-9202	1	Shank-Hose
16	322-3	1	Screw-HH



Electrical Assembly

Ref.	Part Number	Qty.	Description	Ref.	Part Number	Qty.	Description
1	145-3365-03	1	Bracket-Battery	13	100-5858	4	Screw-HH
2	136-3726	1	Battery-12V Agm 35-650	14	33104-025	1	Screw-HHF
3	133-2804	1	Pulley	15	99-7430	1	Relay-Mini
4	136-0483-03	1	Mount-Alternator	16	119-9674	1	Terminal-Clamp, Quick
5	133-2851	1	Alternator	17	109355	1	Fuse-Blade, 15 Amp
6	610040	1	V-Belt	18	122-0838	1	Cable-Battery, Positive
7	122-0794	1	Harness-Wire	19	117-2382	1	Plug-Plastic
7:8	100-4918	1	Diode	20	147-4655	1	Modem Mount, ASM
7:19	94-8002	1	Fuse-Blade, 50 Amp	20:1	147-0614-03	1	Bracket-Modem
8	3339-175	1	Strapping-Web	20:2	140-7369	3	Magnet
9	240-14	2	Bumper-Rubber	20:3	3290-55	3	Rivet-Pop
10	104-7201	2	Nut-HF, NI	21	32105-1	2	Screw-SHH
11	3234-18	1	Screw-HHF	23	138-0719	2	Nut-HF

Notes:

Notes:

Notes:



Count on it.