



**CCR<sup>TM</sup> Powerlite<sup>®</sup>**  
**Snowthrower**

**Model No. 38172-20000001 and Up**  
**Model No. 38182-20000001 and Up**

## Parts Catalog

### Ordering Replacement Parts

To order replacement parts, please supply: the part number, the quantity, and the description of each part desired.

### Understanding Reference Numbers

Each identified part in an illustration has a reference number. The reference number for a part also appears in the parts list, along with other information about the part.

This catalog uses two special reference number formats, one to indicate parts in a service assembly and another to indicate the quantity of a given part in an illustration.

### Service Assembly Reference Numbers

Parts in service assemblies have reference numbers in the form **a:b**. The **a** represents the reference number of the entire service assembly and the **b** represents a sequential number unique to each part within the service assembly.

For example, a wheel assembly might be identified by reference number **6**, the tire by **6:1**, the valve by **6:2**, and the wheel by **6:3**. When you order the assembly identified by reference number **6**, you receive all parts identified by reference numbers **6:1**, **6:2**, and **6:3**. However, you may also order any part individually.

Reference numbers of this type appear in illustrations and in part lists.

### Reference Numbers Indicating Quantity

In an illustration, if a reference number indicates more than one part, the reference number has the form **nX y**. The **n** represents the quantity of the part, the **X** is the multiplication symbol, and the **y** represents the reference number.

For example, in an illustration, the reference number **2X 37** means that two of the parts identified by reference number **37** are indicated.

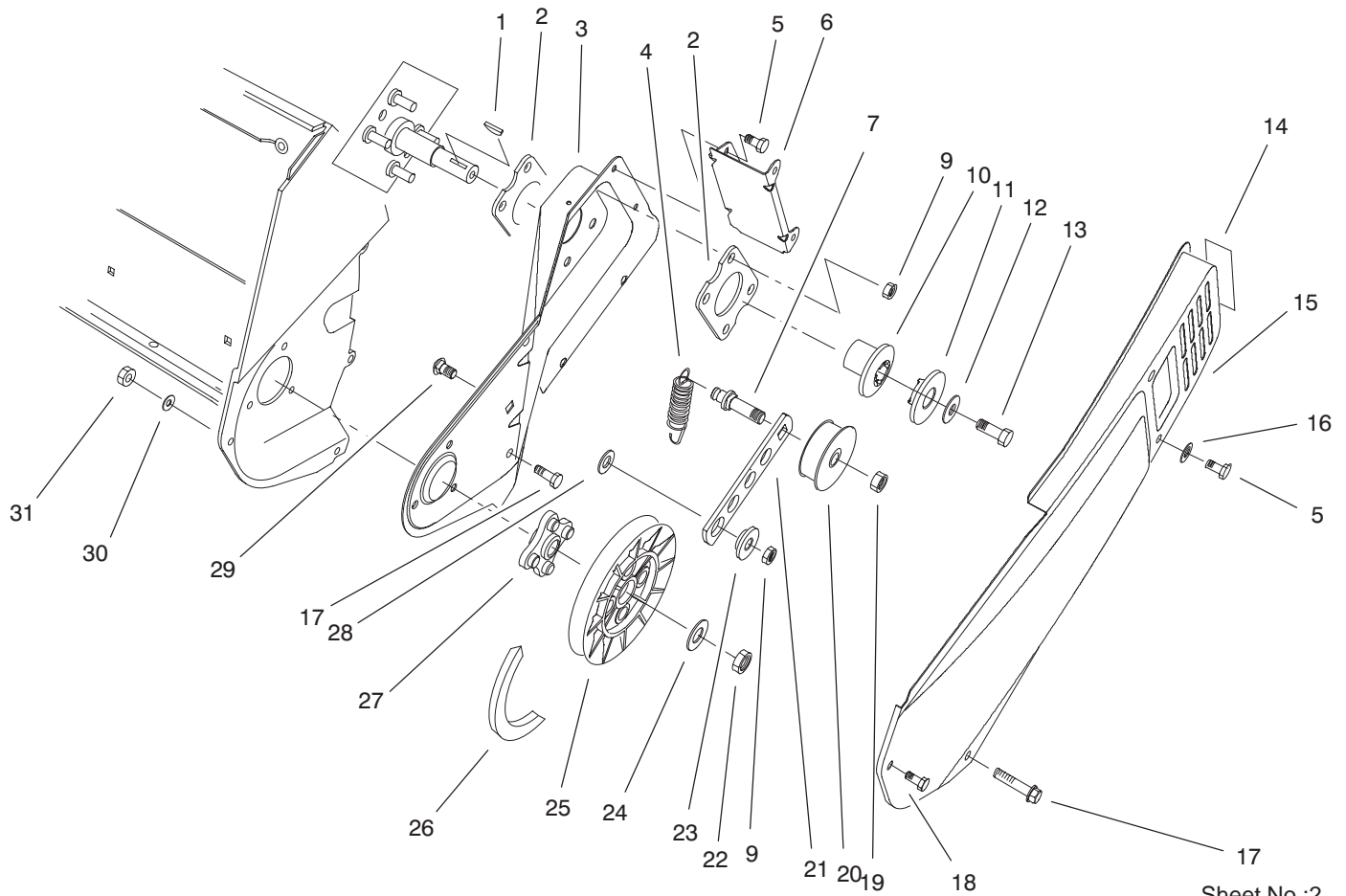
## Contents

Description	Page	Description	Page
Impeller Drive Assembly . . . . .	3	Engine Assembly Tecumseh Model No. HSK635-1723A . . . . .	10
Housing, Upper Shroud, & Chute Assembly . . . . .	4	Engine Assembly Tecumseh Model No. HSK635-1723A . . . . .	11
Impeller Assembly . . . . .	5	Recoil Starter Assembly No. 590743 Tecumseh Model No. HSK635 Type 1723A . . . . .	12
Engine, Side Plate, & Wheel Assembly . . . . .	6		
Motor & Switch Housing Assembly (Model No. 38182) (120 Volt) . . . . .	7		
Handle & Lower Shroud Assembly . . . . .	8		
Carburetor Assembly No. 640086 Tecumseh Model No. HSK635 Type 1723A . . . . .	9		

## Part Description Abbreviations

Part descriptions in this catalog may include the following abbreviations.

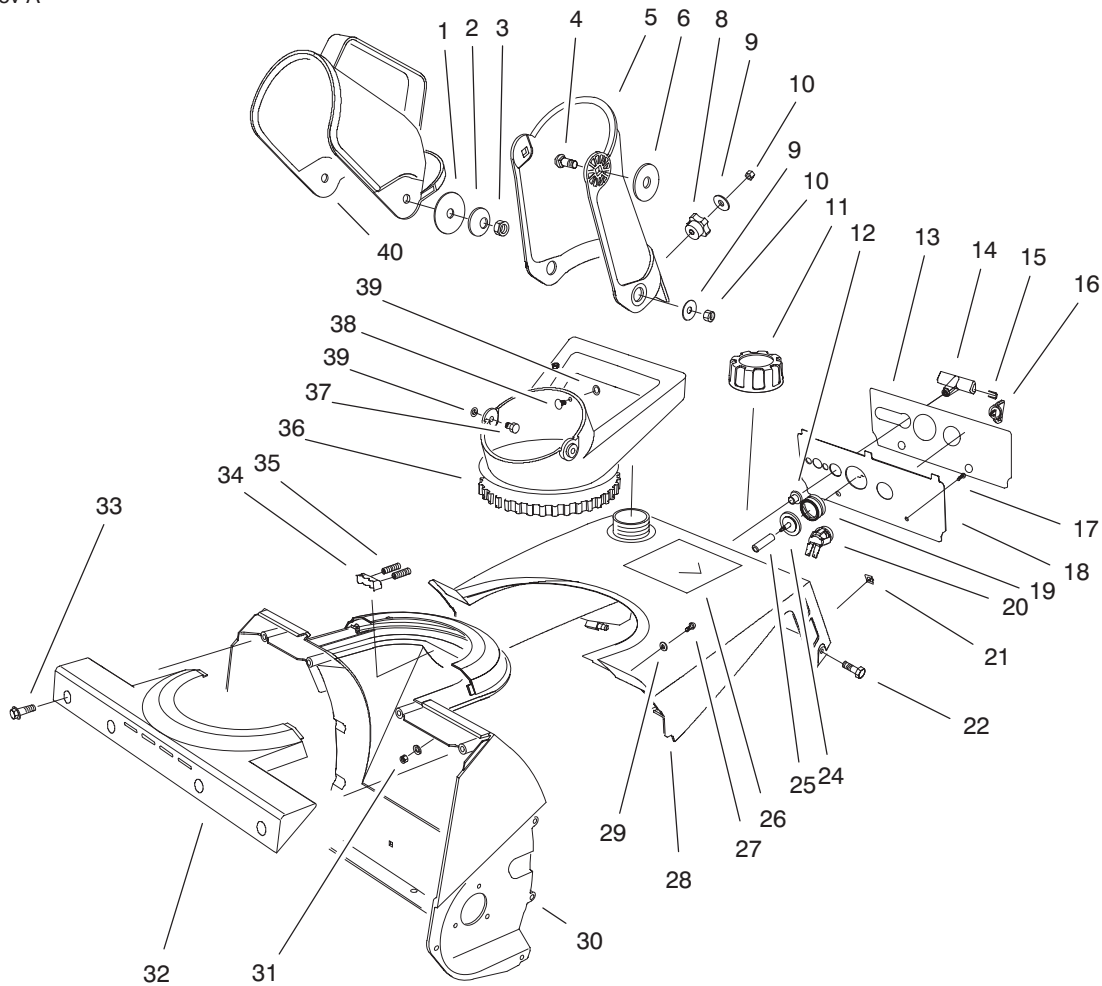
Abbreviation	Meaning	Abbreviation	Meaning
AR . . . . .	as required	INC . . . . .	incorporated
ASM . . . . .	assembly	LH . . . . .	left hand
CARR . . . . .	carriage	NI . . . . .	nylon insert
DEG . . . . .	degrees	PPH . . . . .	Phillips pan head
FH . . . . .	flat head	PTH . . . . .	Phillips truss head
GA . . . . .	gauge	PTO . . . . .	power take off
HF . . . . .	hex flange	RH . . . . .	right hand
HH . . . . .	hex head	SFH . . . . .	slotted fillister head
HHF . . . . .	hex head flange	SHH . . . . .	slotted hex head
HLH . . . . .	hex lag head	SQH . . . . .	square head
HJ . . . . .	hex jam	SHWH . . . . .	slotted hex washer head
HOC . . . . .	height-of-cut	SPH . . . . .	slotted pan head
HS . . . . .	hex socket	SRH . . . . .	slotted round head
HSBH . . . . .	hex socket button head	STD . . . . .	standard
HSFH . . . . .	hex socket flat head	TAP . . . . .	self tapping
HSH . . . . .	hex socket head	TTH . . . . .	Torx truss head
HWH . . . . .	hex washer head	WH . . . . .	wing head
HWHTF . . . . .	hex washer head thread forming		



Sheet No.:2

## Impeller Drive Assembly

Ref. No.	Part No.	Qty.	Description	Ref. No.	Part No.	Qty.	Description
1	3257-3	1	Key-Woodruff	28	25-5640	1	Washer
2	71-5290-03	2	Plate-Engine	29	3230-23	1	Screw-CARR
3	95-7945-03	1	Sideplate-LH	30	3256-14	1	Washer-Flat
4	75-9020	1	Spring-Extension	31	3296-2	1	Nut-Lock
5	32144-4	4	Screw-HH				
6	75-8870-03	1	Bracket-Belt Cover				
7	75-8720	1	Pin-Idler				
9	3296-29	5	Nut-Lock, NI				
10	71-5050	1	Hub - Half Sheave				
11	71-5060	1	Cap - Half Sheave				
12	3256-71	1	Washer-Flat				
13	3235-6	1	Screw-Hex Hd				
14	104-2767	1	Decal-Hot Surface				
15	75-8830-03	1	Cover-Belt				
16	3256-1	2	Washer-Flat				
17	46-8094	3	Screw-Plastite				
18	32105-23	1	Screw				
19	3296-59	1	Nut-Lock, NI				
20	71-5260	1	Pulley-Idler				
21	75-9050	1	Arm-Idler				
22	3296-38	1	Nut-Lock NI				
23	75-8700	1	Bushing-Idler				
24	3256-25	1	Washer-Flat				
25	75-8750	1	Pulley-Driven				
26	75-9010	1	V-Belt				
27	75-8740	1	Hub				



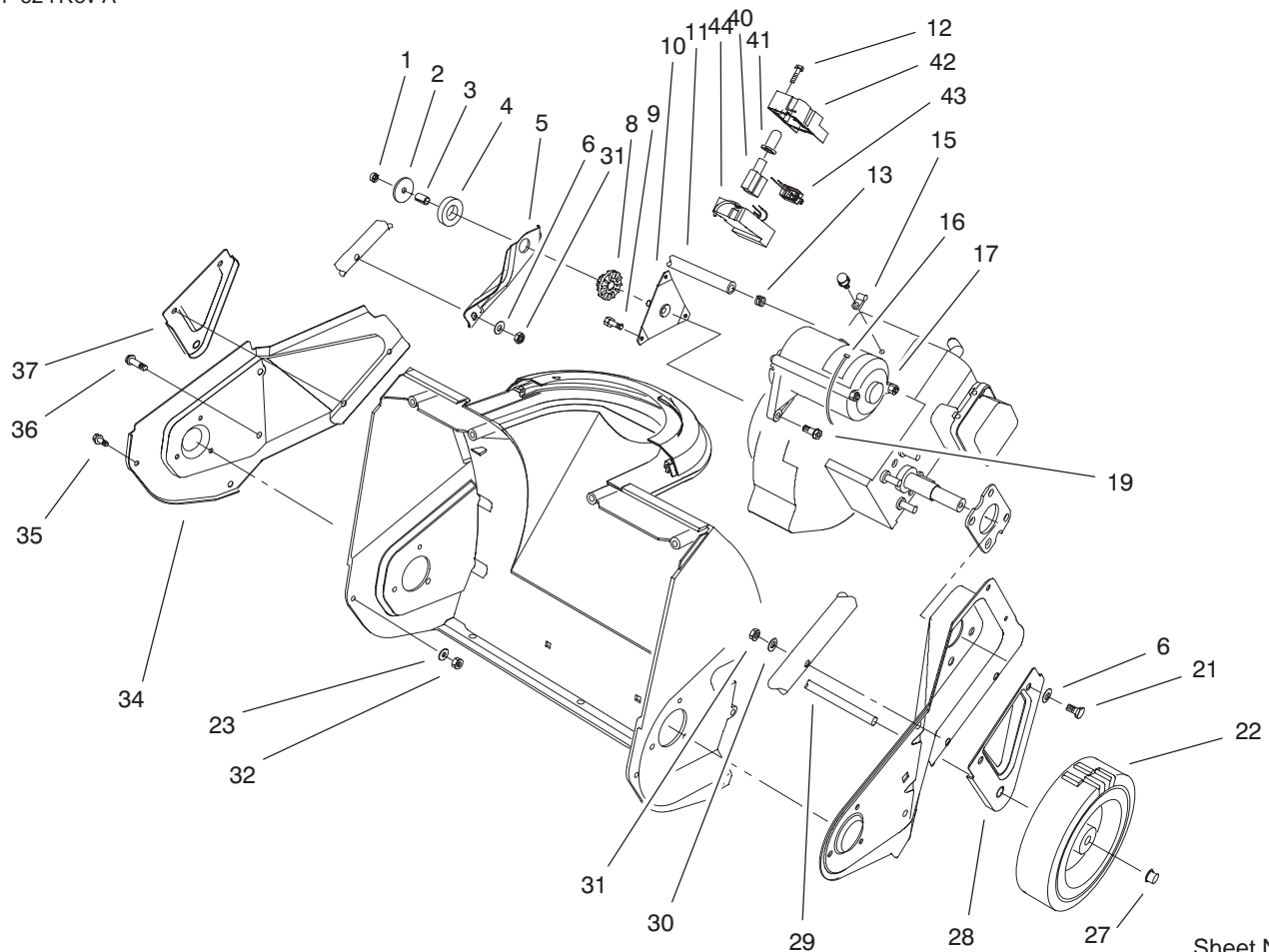
Sheet No.:4

## Housing, Upper Shroud, & Chute Assembly

Ref. No.	Part No.	Qty.	Description
1	3256-68	2	Washer-Flat
2	3290-340	2	Washer-Belleville
3	3296-29	2	Nut-Lock, NI
4	3230-2	2	Screw-CARR
5	104-2764	1	Chute
6	95-1905	2	Washer-Rubber
8	233-67	1	Knob-Chute
9	3256-81	2	Washer-Flat
10	3296-56	2	Nut-Lock, NI
11	55-3573	1	ASM-Gas Cap
12	23-7470	1	Guide-Starter Rope
13	104-2766	1	Decal-Control Panel (only on: 38182)
13	104-2765	1	Decal-Control Panel (only on: 38172)
14	92-4853	1	Handle-Starter
16	63-8360	1	Key-Ignition
17	32144-53	2	Screw-Self TAP
18	75-9031-03	1	Panel-Control (only on: 38172)
18	75-9030-03	1	Panel-Control (only on: 38182)
19	66-7460	1	Bulb-Primer
20	40-5940	1	Switch-On/Off
21	49-1490	2	Nut

Ref. No.	Part No.	Qty.	Description
22	32144-89	2	Screw-Thread Forming
24	44-2750	1	Body-Primer
25	44-3173	1	Hose-Primer
26	99-9331	1	Decal - Powerlite Rec.3.25 HP (only on: 38172)
26	99-9332	1	Decal - Powerlite Rec. Ele 3.25 HP (only on: 38182)
27	3250-32	2	Screw-PPH
28	75-8800	1	Shroud-Tank Assembly
29	3256-1	4	Washer-Flat
30	75-8660	1	Housing
31	3296-42	2	Nut-Lock
32	75-8650	1	Retainer-Chute
33	46-8094	4	Screw-Plastite
34	75-9160	1	Detent-Chute
35	75-9170	2	Spring-Compression
36	75-8670	1	Handle-Chute
37	321-3	2	Screw-HH
38	3229-11	1	Screw-CARR
39	32115-15	3	Pushnut-Bolt Retainer
40	75-8770	1	Deflector-Chute





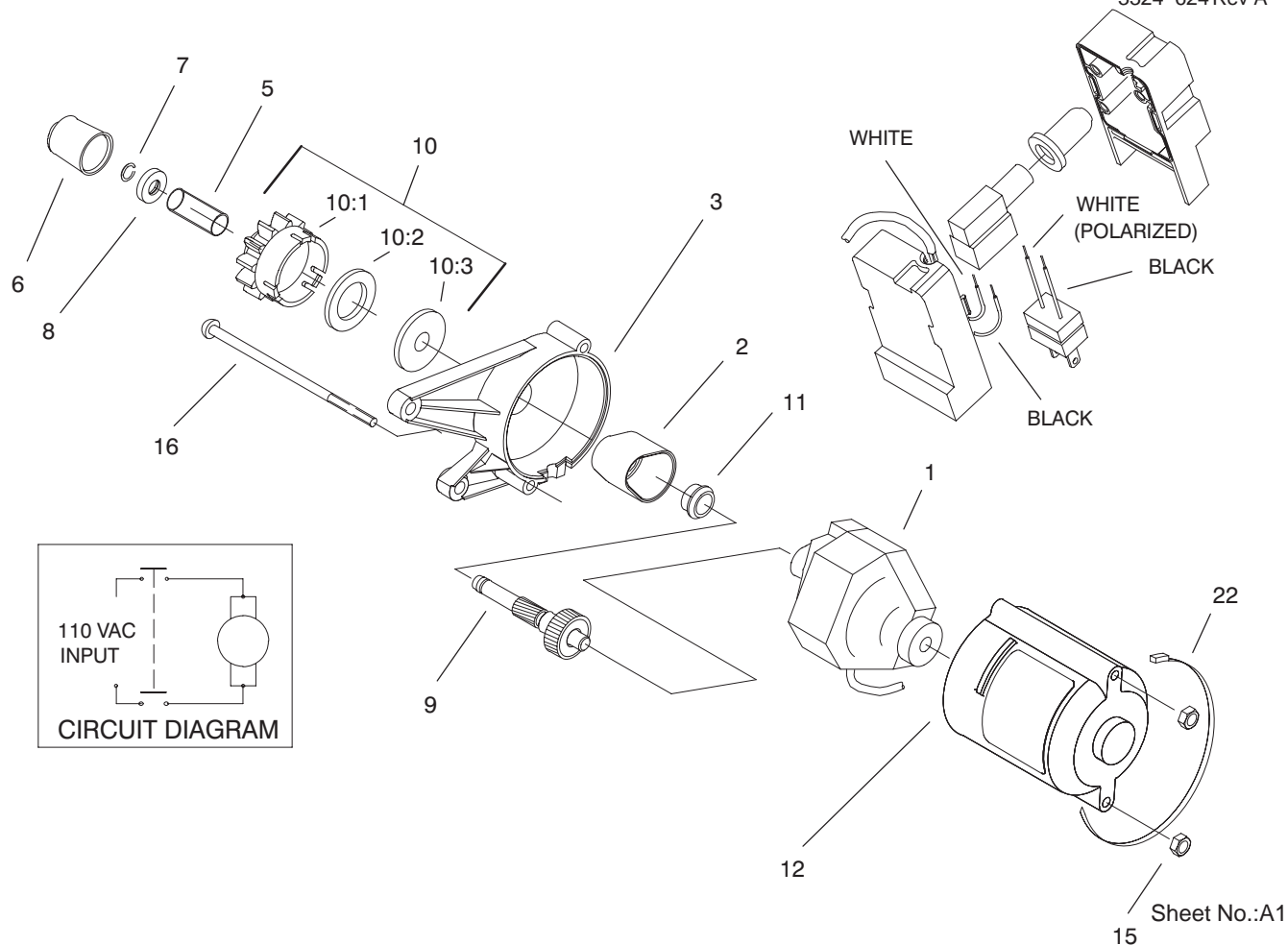
Sheet No.:6

## Engine, Side Plate, & Wheel Assembly

Ref. No.	Part No.	Qty.	Description
1	3296-56	1	Nut-Lock, NI
2	3256-58	1	Washer-Flat
3	80-0650	1	Spacer-Tubular
4	95-1903	1	Ring - Isolator
5	75-8980-03	1	Brkt-Engine Support
6	3256-1	6	Washer-Flat
8	75-9100	1	Bushing-Isolator
9	94-2789	3	Screw
10	92-6012	1	Bracket/Stud ASM
11	49-2483	1	Line-Gas
12	32144-27	3	Screw-Plastite (only on: 38182)
13	2412-98	2	Clamp
15	2412-91	1	Clamp (only on: 38182)
16	250-7	1	Tie-Cable (only on: 38182)
17	77-0402	1	Starter Motor ASM [120 Volt] (only on: 38182)
19	80-0700	2	Screw - Mtg Torx (only on: 38182)
21	321-10	4	Screw-HH
22	23-3250	2	Wheel
23	3256-14	1	Washer-Flat
27	3290-320	2	Retainer-Push On

Ref. No.	Part No.	Qty.	Description
28	75-8910-03	1	Bracket-Wheel, LH
29	27-0062	1	Axle
30	3-7501	2	Washer
31	3296-42	4	Nut-Lock
32	3296-2	1	Nut-Lock
34	75-8820-03	1	Plate-RH Side
35	32105-23	1	Screw
36	46-8094	3	Screw-Plastite
37	75-8900-03	1	Bracket-Wheel, RH
40	36-8340	1	Switch-Starter (only on: 38182)
41	36-8350	1	Boot-Switch (only on: 38182)
42	100-3442	1	Switch-Cap Housing (only on: 38182)
43	94-9933	1	Plug-Power (only on: 38182)
44	100-3441	1	Switch-Base Housing (only on: 38182)
*99	28-9170	1	Cord (only on: 38182)

\* Not illustrated



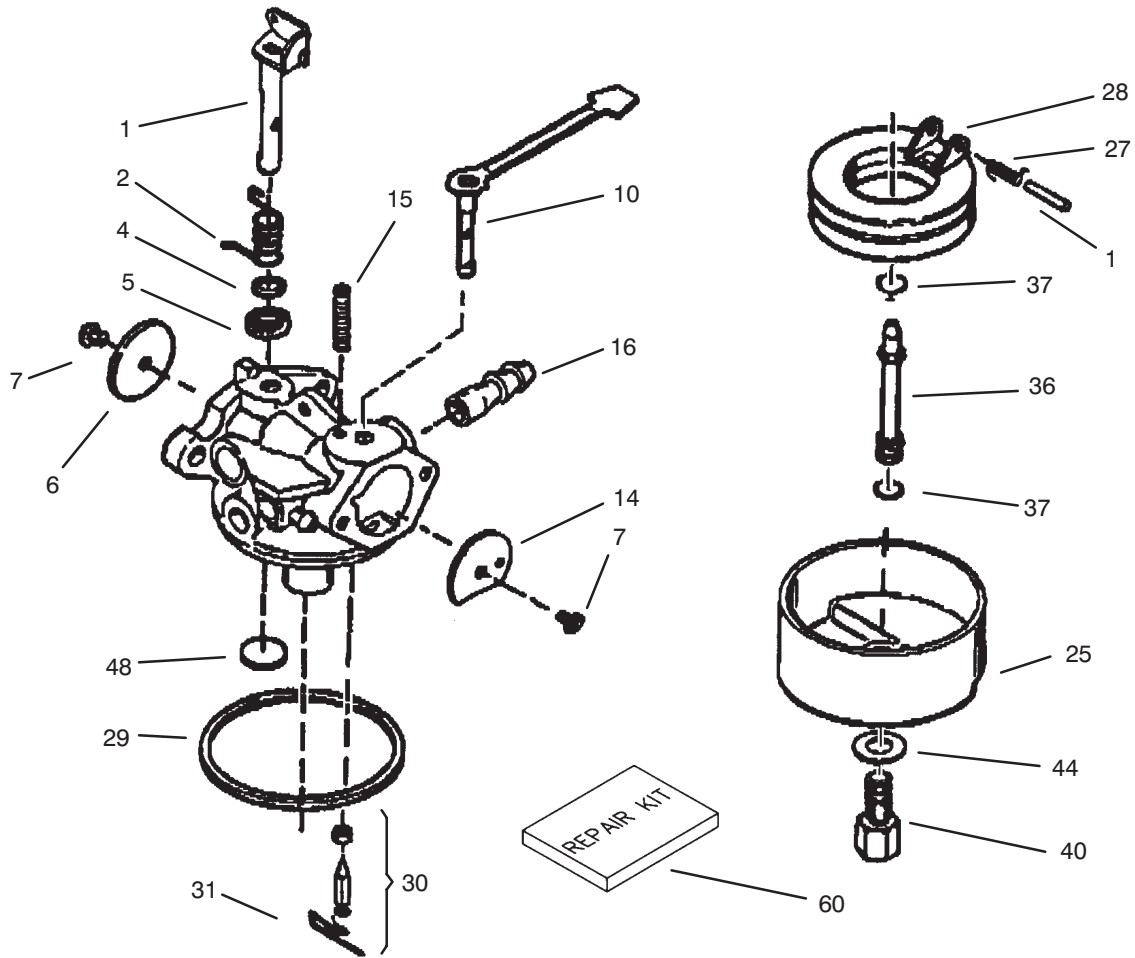
## Motor & Switch Housing Assembly (Model No. 38182) (120 Volt)

Ref. No.	Part No.	Qty.	Description
1	70-7802	1	Starter Motor Assembly (only on: 38182)
2	70-7850	1	Cover-Gear (only on: 38182)
3	100-3443	1	Housing-Upper Starter (only on: 38182)
5	61-4690	1	Spring (only on: 38182)
6	70-7890	1	Pinion-Cap (only on: 38182)
7	61-4680	1	Ring-Lock (only on: 38182)
8	100-2902	1	Stop-Pinion (only on: 38182)
9	95-1797	1	Shaft/Gear Ay X (only on: 38182)
10	84-5240	1	Pinion ASM (R & S) (only on: 38182)
10:1	70-7790	1	Nut (only on: 38182)
10:2	84-5230	1	Pinion (only on: 38182)

Ref. No.	Part No.	Qty.	Description
10:3	84-5440	1	Ring - Rubber (only on: 38182)
11	70-7900	1	Bushing (only on: 38182)
12	100-3444	1	Housing-Lower Starter (only on: 38182)
15	3296-2	2	Nut-Lock (only on: 38182)
16	32144-101	2	Screw-Mach (only on: 38182)
22	250-7	1	Tie-Cable (only on: 38182)







Sheet No.:

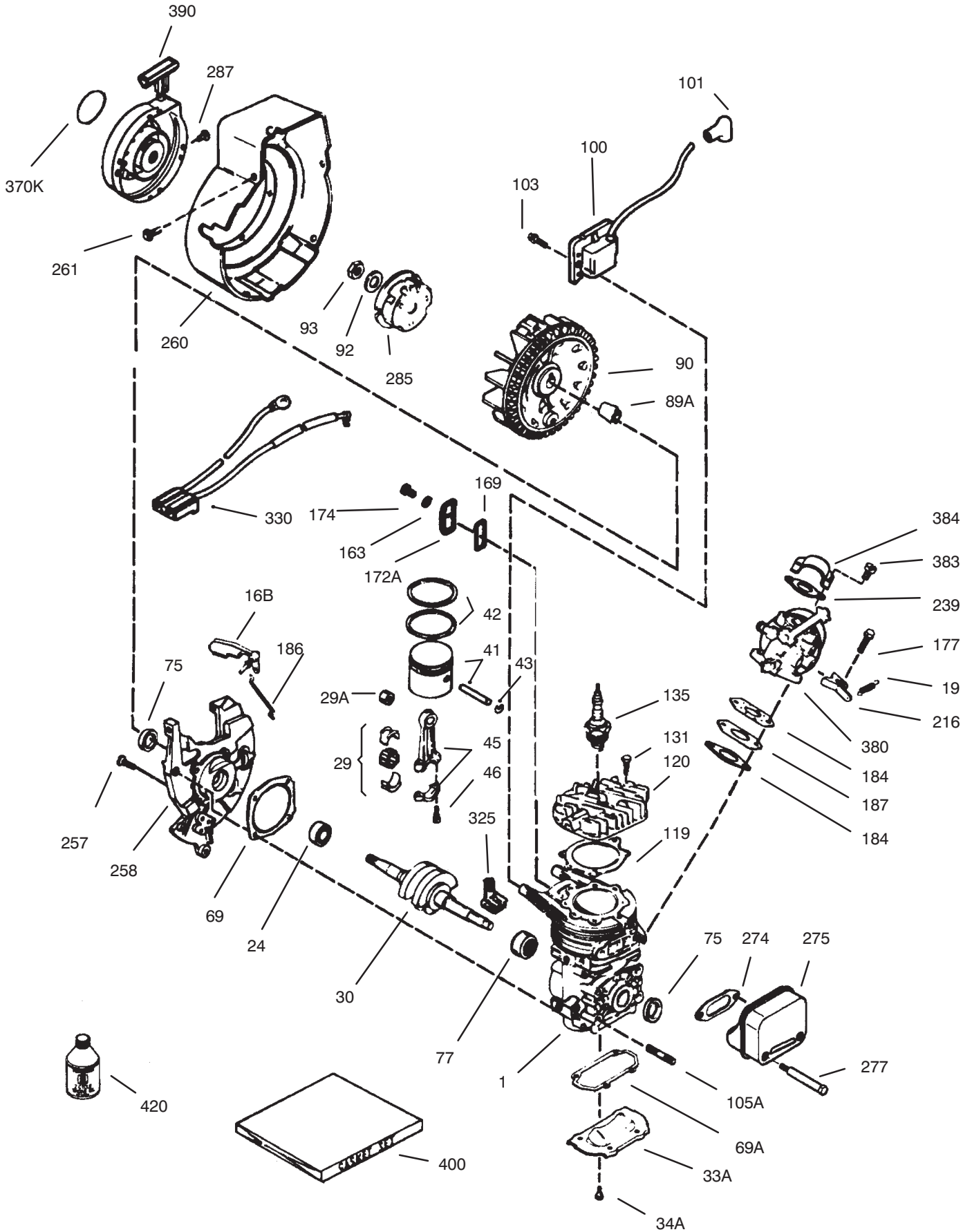
## Carburetor Assembly No. 640086 Tecumseh Model No. HSK635 Type 1723A

Ref. No.	Part No.	Qty.	Description
1	632166A	1	Throttle Shaft & Lever Assy.
2	632169	1	Spring – Throttle Return
4	631184	1	Washer – Steel
5	631183	1	Washer – Felt
6	631621	1	Shutter – Throttle
7	650506	2	Screw – Shutter
10	632553	1	Choke Shaft & Lever Assy.
14	631815	1	Shutter – Choke
15	630735	1	Spring – Choke Positioning
16	632164	1	Fitting – Fuel Inlet
25	631867	1	Bowl – Float
26	632386	1	Spring – Float Shaft
27	631024	1	Shaft – Float
28	632019	1	Float – Carburetor
29	631028	1	Seal – O–Ring
30	631021	1	Inlet Needle, Seat & Clip (Incl. ref. #31)
31	631022	1	Clip – Spring
36	640080	1	Nozzle – Main

Ref. No.	Part No.	Qty.	Description
37	632547	2	O–Ring
40	640087	1	Nut – Float Bowl
44	27110A	1	Washer – Bowl
48	631027	1	Plug – Welch
60	632760	1	Repair Kit

Obtain Parts from Tecumseh

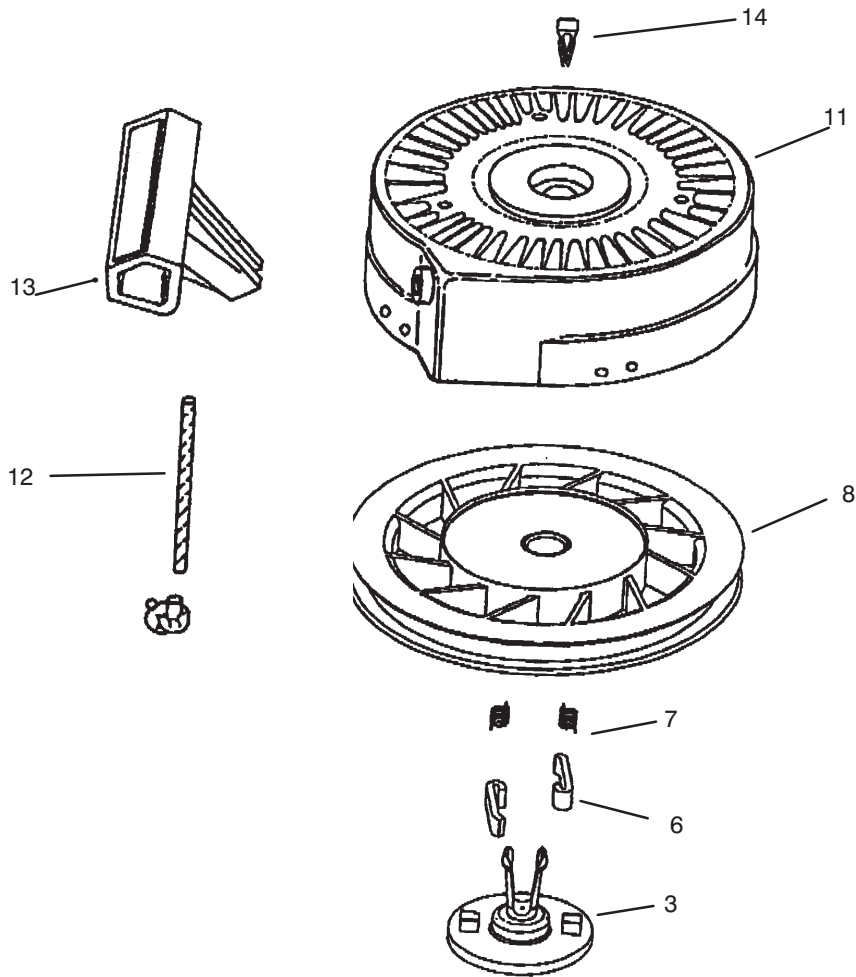
# Engine Assembly Tecumseh Model No. HSK635-1723A



# Engine Assembly

## Tecumseh Model No. HSK635-1723A

Ref. No.	Part No.	Qty.	Description	Ref. No.	Part No.	Qty.	Description
1			Block Ass'y – Cylinder (Order short block if replacement is required)	258	350422	1	Base Ass'y – Blower Housing (Incl ref. #27)
16B	490291A	1	Vane Ass'y – Air	260	350437	1	Housing – Blower
19	570707	1	Spring – Governor	261	650737	3	Screw – Hex. Washer Hd.
24	530110	1	Bearing – Ball	274*	510207A	1	Gasket – Exhaust
29	530150	1	Bearing & Liner Set – Needle (37 Needles)	275	390332	1	Muffler (Incl. Ref. #274 & 277)
29A	530104A	1	Bearing – Cartridge	277	650869	2	Screw – Torx Pan Hd.
30	290602	1	Crankshaft	285	590551A	1	Cup – Starter
33A	570644	1	Plate – Cover	287	650926	3	Screw
3A4	650579	4	Screw – Pan Flex Hd.	325	29443	1	Clip – Spring
41	310283A	1	Piston & Pin Ass'y (Incl. ref. #43)	330	611131A	1	Harness – Wire
42	310289	1	Ring Set – Piston	370K	36695	1	Decal – Starter
43	310167	2	Ring – Piston Pin Retaining	380	640086	1	Carburetor (Incl. ref. #184)
45	310235B	1	Rod Ass'y – Connecting (Incl. ref. #29, 29A & 46)	383	570434	1	Baffle – Air
46	650633	2	Screw – Connecting Rod	384	650431	2	Screw – Pan Hd. Sems
69*	510292A	1	Gasket – Cylinder Cover	390	590743	1	Starter Ass'y – Rewind
69A*	510323A	1	Gasket – Cover Plate	400	510324B	1	Gasket Set (Incl. Items Marked *)
75	510319	2	Seal – Oil	422	730227B	1	Oil – 2 Cycle (8 oz.)
77	530105	1	Bearing – Needle				
89A	611032	1	Sleeve – Flywheel				
90	611066	1	Flywheel				
92	650815	1	Washer – Belleville				
93	650390	1	Nut – Flywheel				
100	34443B	1	Solid State Ass'y (Incl. Ref. #101)				
101	610118	1	Cover – Spark Plug				
103	651007	2	Screw – Hex. Hd. Sems				
105A	650796	4	Stud – Cylinder				
119	*510274A	1	Gasket – Cylinder Head				
120	250240B	1	Head – Cylinder				
131	650477	5	Screw – Pan Flex Hd.				
135	611049	1	Plug – Spark (RCJ-8Y or equivalent)				
163	650838	1	Washer – Flat				
169*	510325A	1	Gasket – Cover				
172A	570708	1	Cover Ass'y – Compression Release				
174	650579	1	Screw – Torx. Hd.				
177	650959	2	Screw				
184*	510326A	2	Gasket – Carburetor				
186	490322	1	Link – Governor				
187	570438A	1	Spacer				
216	570645	1	Level – Adjusting				
239	35815	1	Gasket – Filter Base				
257	650911	4	Screw – Torx Pan Hd.				



Sheet No.:

## Recoil Starter Assembly No. 590743 Tecumseh Model No. HSK635 Type 1723A

Ref. No.	Part No.	Qty.	Description
3	590740	1	Retainer
6	590616	2	Dog - Starter
7	590617	2	Spring - Dog
8	590645A	1	Pulley & Rewind Spring Asm
11	590643	1	Starter Housing Assembly
12	590535	1	Rope - Starter
13	590701	1	Handle - Starter
14	590760	1	Spring Clip

Ref. No.	Part No.	Qty.	Description

Obtain Parts from Tecumseh







