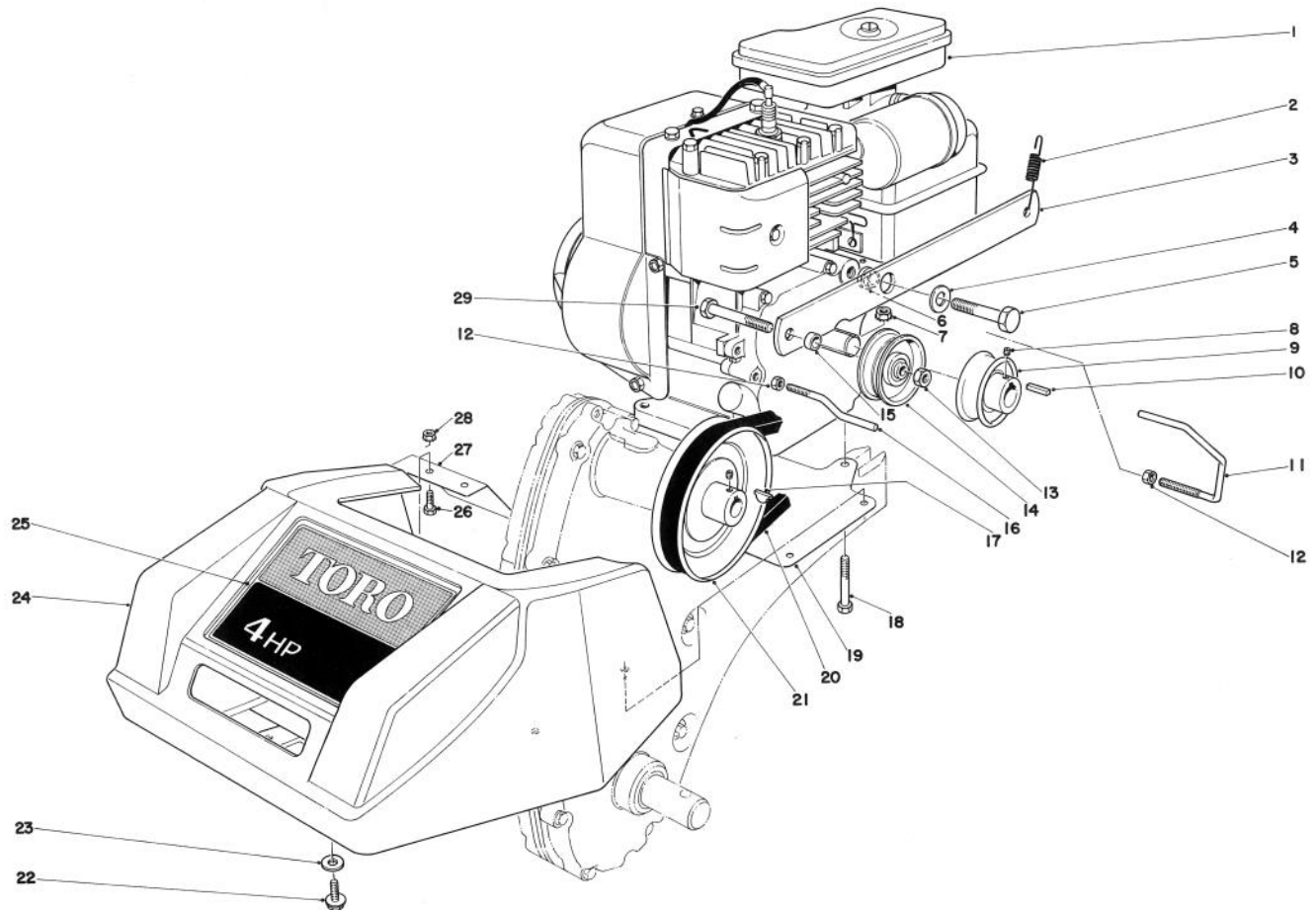




MODEL NO. 58336 — 2000001

**PARTS  
CATALOG**
**4 H.P. TILLER — CHAIN DRIVE**

**ENGINE AND SHROUD ASSEMBLY**

Ref. No.	Part No.	Description	No. Used
1	221-531	Engine	1
2	26-3730	Spring	1
3	28-3030	Idler Arm	1
4	3256-5	Washer	1
5	3213-2	Hex Hd. Capscrew	1
6	29-6850	Spacer Idler Arm	1
7	32149-1	Nut	4
8	3245-32	Set Screw	4
9	28-2970	Driver Pulley	1
10	21-5070	Key Square	1
11	29-6650	Belt Guide	1
12	3217-5	Hex Nut	2
13	32152-2	Locknut	1
14	3-4244	Idler Pulley	1
15	36-3760	Spacer	1

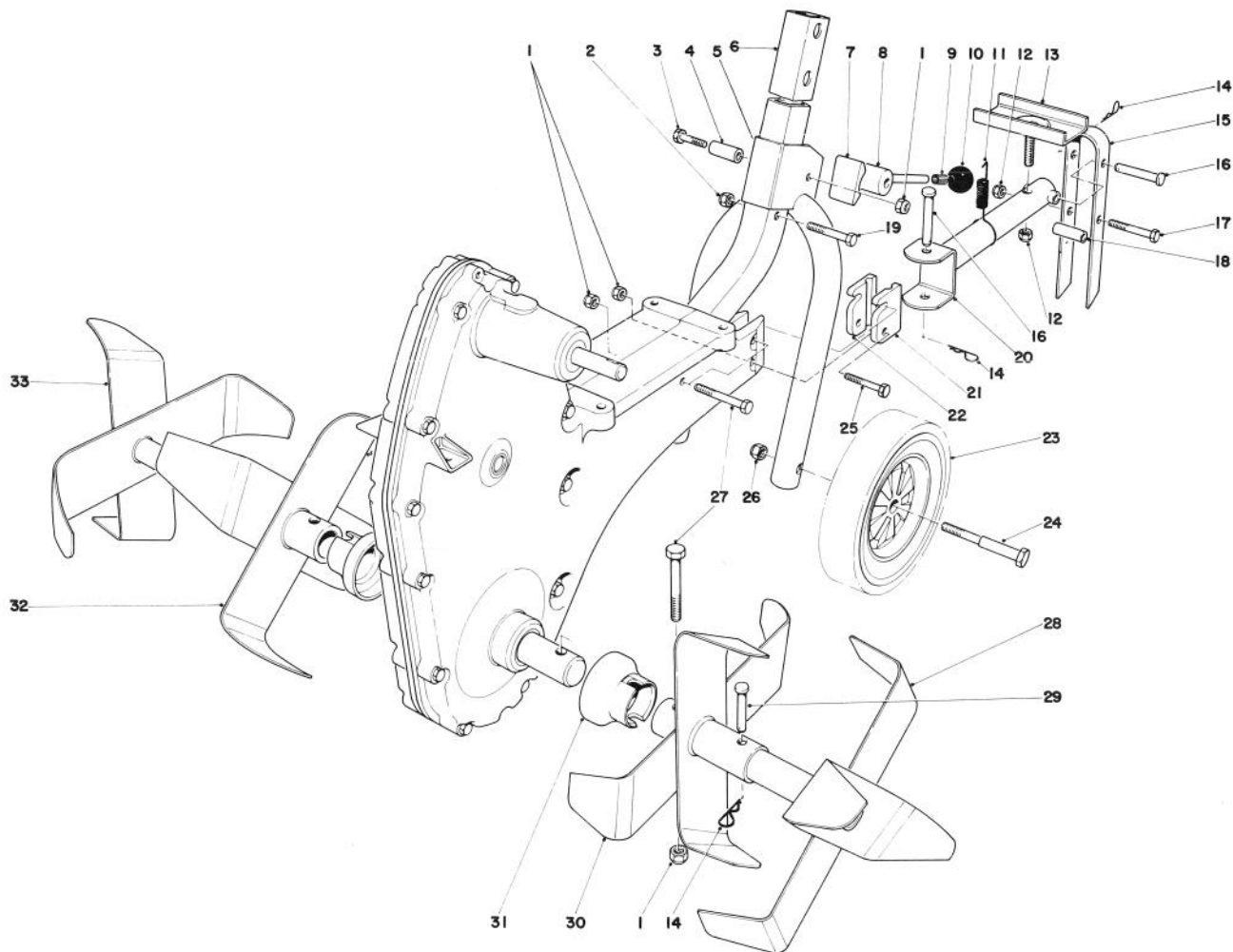
Ref. No.	Part No.	Description	No. Used
16	28-2940	Belt Guide	1
17	3257-30	Hi Pro Key	1
18	322-11	Hex Hd. Capscrew	4
19	36-3750	Mounting Plate Shield	1
20	28-2990	V-Belt	1
21	28-2980	Pulley Driver	1
22	11-9760	Screw	6
23	3256-23	Washer	6
24	28-3050	Shroud	1
25	28-3060	Decal 4 H.P.	1
26	321-2	Capscrew	1
27	29-4400	Shield	1
28	32153-4	Locknut	1
29	323-10	Capscrew	1
*	28-8640	Tube Oil Fill	1

\*Not Illustrated

COPYRIGHT © ALL RIGHTS RESERVED

**The Toro Company — 1982**  
 MINNEAPOLIS, MN 55420 — U.S.A.

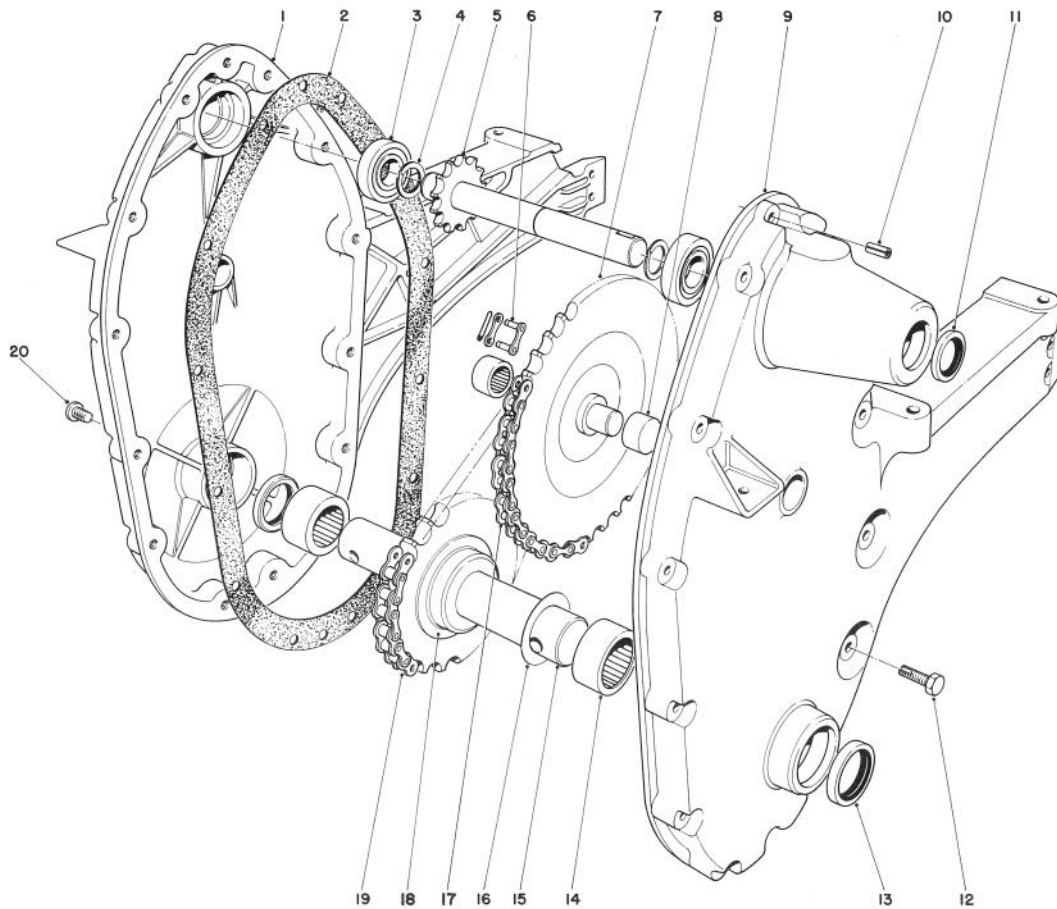
PRICE \$1.00



## CHAIN CASE AND TINE ASSEMBLY

Ref. No.	Part No.	Description	No. Used
1	32153-3	Locknut	6
2	32153-4	Locknut	1
3	322-11	Capscrew	1
4	36-3920	Spacer Cam	1
5	28-3080	Wheel Support	1
6	28-5370	Lower Handle	1
7	28-3110	Cam Shoe	1
8	36-3900	Cam Lever	1
9	233-44	Tolerance Ring	1
10	233-43	Knob	1
11	28-4870	Spring	1
12	32153-2	Locknut	2
13	28-3230	Drawbar Stop	1
14	3290-250	Hairpin Cotter	4
15	28-3220	Dragbar	1
16	283-52	Clevis Pin	2
17	323-12	Hex. Hd. Capscrew	1

Ref. No.	Part No.	Description	No. Used
18	28-3190	Spacer	1
19	321-9	Hex. Hd. Capscrew	1
20	28-3180	Drawbar	1
21	33-1020	Pivot Block L.H.	1
22	33-1030	Pivot Block R.H.	1
23	27-6200	Wheel & Tire Assembly	2
24	28-3160	Wheel Bolt	2
25	322-9	Capscrew	2
26	32152-2	Locknut	2
27	322-10	Hex. Hd. Capscrew	3
28	28-2900	Outboard Tine L.H.	1
29	283-18	Clevis Pin	2
30	28-2910	Inboard Tine L.H.	1
31	28-2920	Dust Cover	2
32	28-2860	Inboard Tine R.H.	1
33	28-2820	Outboard Tine R.H.	1

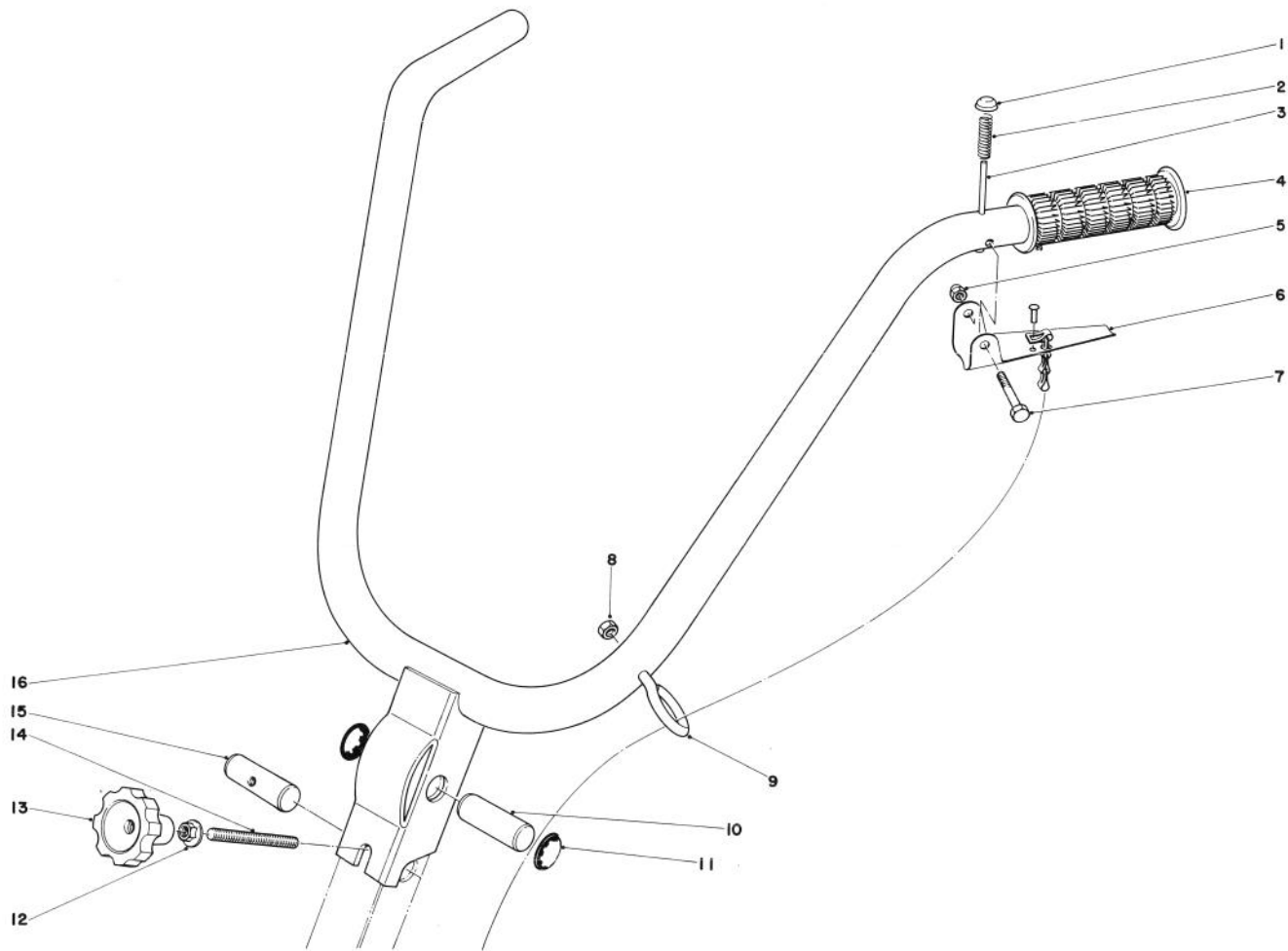


## CHAIN CASE ASSEMBLY

Ref. No.	Part No.	Description	No. Used
1	27-9230	Chain Case R.H.	1
2	28-2790	Gasket	1
3	251-270	Ball Bearing	2
4	32120-38	Retaining Ring	2
5	28-2770	Upper Shaft	1
6	2710-31	Connecting Link	1
7	28-2740	Sprocket Cluster	1
8	252-90	Needle Bearing	2
9	27-9240	Chain Case L.H.	1
10	32121-11	Roll Pin	2
11	253-61	Oil Seal	1

Ref. No.	Part No.	Description	No. Used
12	36-3860	Screw Self Tapping	12
13	7-0045	Oil Seal	2
14	252-91	Needle Bearing	2
15	36-4660	Tine Shaft	1
16	256-260	Thrust Washer	1
17	28-2780	Roller Chain	1
18	36-4670	Cup Spacer	1
19	28-2730	Roller Chain	1
20	285-19	Plug	1
*	25-9150	Decal — Replacement Serial Plate	1

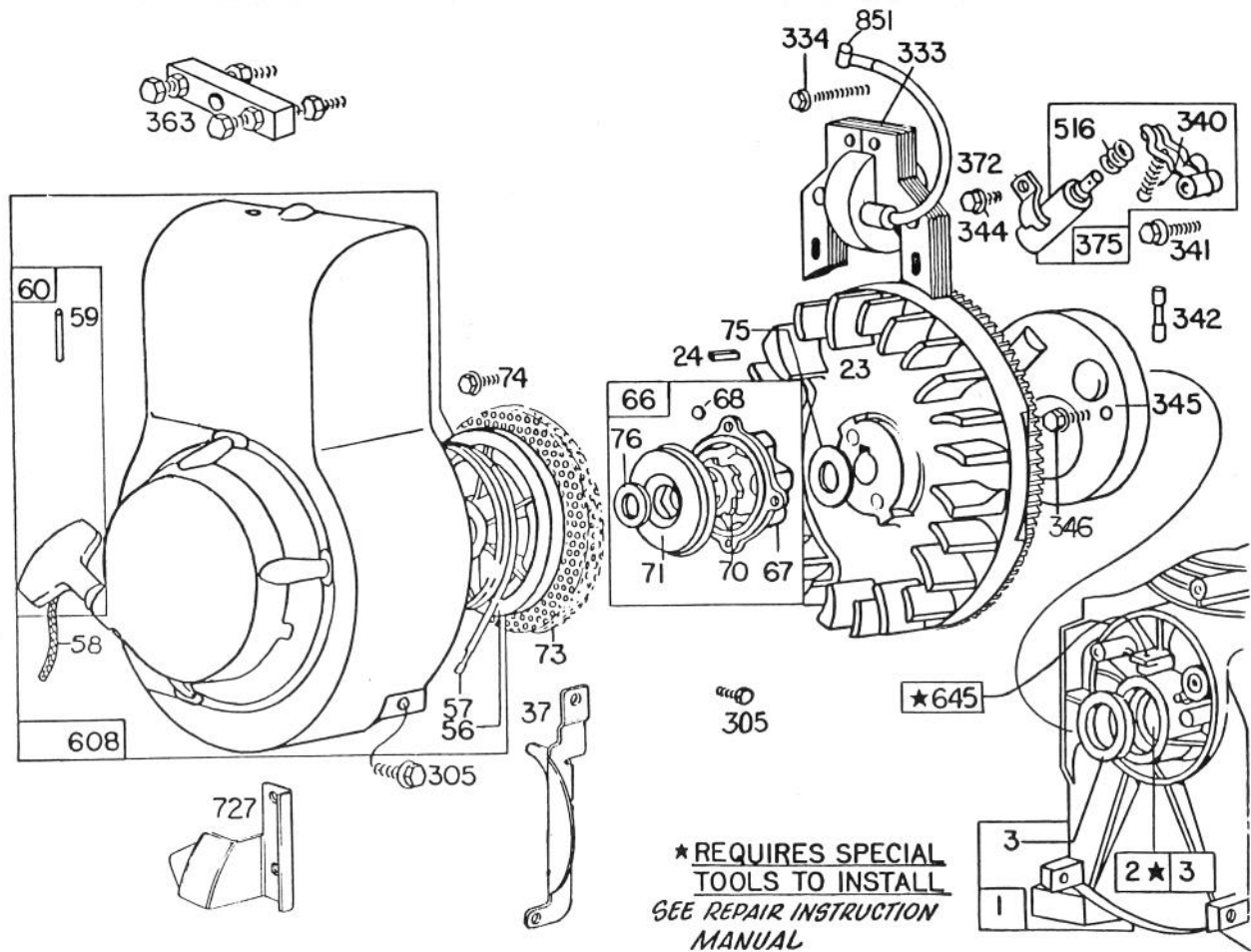
\*Not Illustrated



## HANDLE ASSEMBLY

Ref. No.	Part No.	Description	No. Used
1	32111-9	Push On Cap	1
2	5-4723	Spring	1
3	26-3640	Lockout Pin	1
4	235-21	Hand Grip	2
5	32111-7	Acorn Nut	1
6	28-4930	Lift Bail & Chain Assembly	1
7	321-9	Hex. Hd. Capscrew	1
8	32153-4	Locknut	1

Ref. No.	Part No.	Description	No. Used
9	36-3690	Eye Bolt	1
10	28-5000	Pivot Pin	1
11	3290-406	Push On	2
12	32128-26	Flange Nut	1
13	19-4050	Hand Knob	1
14	28-5020	Stud	1
15	36-3680	Pin Handle	1
16	36-3670	Handle Bar	1

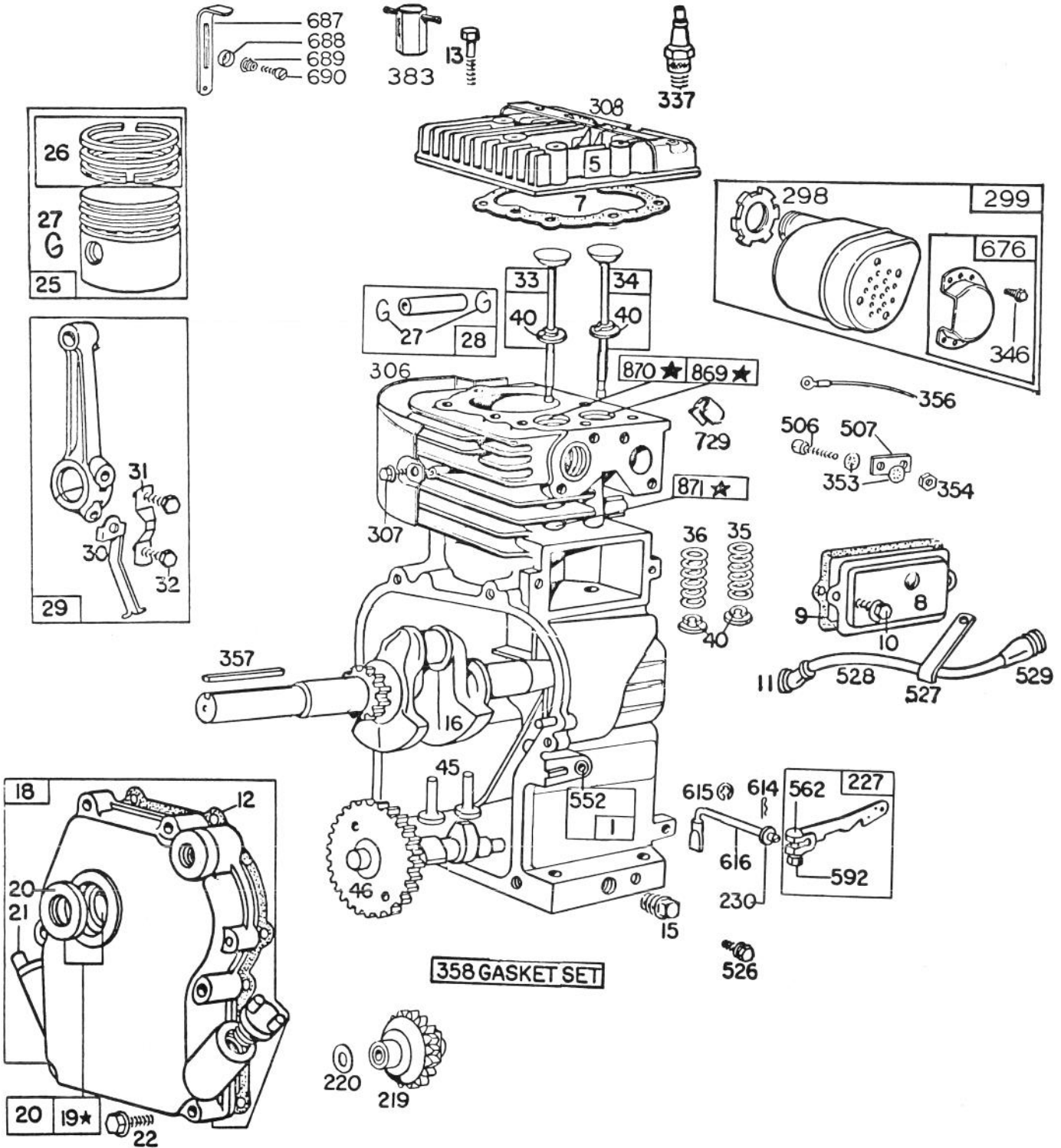


## ENGINE BRIGGS & STRATTON MODEL 112202-0135-01

Ref. No.	Part No.	Description	No. Used
1	394819	Cylinder Assembly	1
2	293708	Bushing – Cylinder <b>Note:</b> Requires special tools for installation	1
3	393862	Seal – Oil	1
23	394413	Flywheel – Magneto	1
24	61760	Key – Flywheel	1
37	223087	Guard – Flywheel	1
56	280117	Pulley – Rewind Starter	1
57	294303	Spring – Rewind Starter	1
58	66694	Rope – Starter – 47-1/8"	1
59	230228	Pin – Starter Grip	1
60	393152	Grip – Starter Rope	1
66	298310	Clutch Assembly – Rewind Starter	1
67	212131	Housing – Starter Clutch	1
68	63770	Ball – Clutch	1
70	298436	Ratchet – Rewind Starter	1
71	221653	Washer – Clutch Retainer	1
73	221661	Screen – Rotating	1
74	93490	Screw – Rotating Screen Mounting	1
75	220865	Washer – Spring	1
76	68238	Washer – Ratchet Sealing	1
305	93158	Screw	1

Ref. No.	Part No.	Description	No. Used
333	298502	Armature – Magneto	1
334	93381	Screw – Armature Mounting	1
340	26018	Spring – Breaker Arm	1
341	93381	Screw	1
342	65704	Plunger – Breaker Point	1
344	93042	Screw – Condenser Clamp Mounting	1
345	220366	Cover – Breaker Point and Condenser	1
346	93705	Screw	1
363	19069	Puller – Flywheel (Optional Accessory)	1
372	220477	Clamp – Condenser	1
375	294628	Breaker Points and Condenser Set <b>Note:</b> 299061 Ignition Kit Includes: 294628 Point Set 65604 Plunger 61760 Key – Flywheel	1
516	260374	Spring – Connector	1
608	394827	Starter Assy. – Rewind	1
645	23513	Bushing – Plunger	1
727	223103	Cover – Blower Housing	1
851	221798	Terminal – Ignition Cable	1

# ENGINE BRIGGS & STRATTON MODEL 112202-0135-01



★ REQUIRES SPECIAL TOOLS  
 TO INSTALL  
 SEE REPAIR INSTRUCTION  
 MANUAL

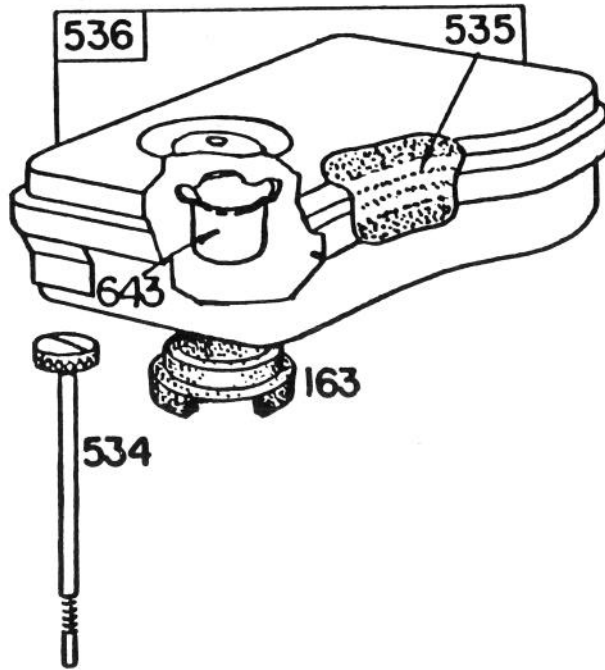
# ENGINE BRIGGS & STRATTON MODEL 112202-0135-01

Ref. No.	Part No.	Description	No. Used
1	394819	Cylinder Assembly	1
5	211851	Head – Cylinder	1
7	*270836	Gasket – Cylinder Head	1
8	294178	Breather – Valve Chamber	1
9	*27549	Gasket – Valve Cover	1
10	93394	Screw – Breather Mounting	1
11	66578	Grommet – Breather Tube	1
12	*270833	Gasket – Crankcase – .015" thick (Standard)	1
	*270895	Gasket – Crankcase – .005" thick	1
	*270896	Gasket – Crankcase – .009" thick	1
13	93111	Screw – Cylinder Head	1
15	91249	Plug – Pipe, Square Head	1
16	261414	Crankshaft	1
18	394820	Cover Assembly – Crankcase	1
19	293708	Bushing Assy. Crankcase Cover (Includes <b>220538</b> Bushing) <b>Note:</b> Bushings require special tools for installation	1
20	393862	Seal – Oil	1
21	66768	Plug – Oil Filler	1
22	93032	Screw – Crankcase Cover Mounting	1
25	391650	Piston Assembly – Std.	1
	391651	Piston Assembly – .010" O.S.	1
	391652	Piston Assembly – .020" O.S.	1
	391653	Piston Assembly – .030" O.S.	1
		<b>PISTON RING SETS:</b> <b>Note:</b> For Chrome Piston Ring Set – Standard Size – Order Part No. <b>392330</b>	
26	391654	Ring Set – Std. Piston	1
	391656	Ring Set – .010" O.S. Piston	1
	391658	Ring Set – .020" O.S. Piston	1
	391660	Ring Set – .030" O.S. Piston	1
27	26026	Lock – Piston Pin	1
28	391649	Pin Assembly – Piston – Standard	1
	394861	Pin Assembly – Piston – .005" O.S.	1
29	392939	Rod Assy. – Connecting <b>Note:</b> For Connecting Rod with .020" undersize Crankpin Bearing – Order No. 393710	1
30	220670	Dipper – Connecting Rod	1
31	222390	Lock – Connecting Rod Screw	1

Ref. No.	Part No.	Description	No. Used
32	93670	Screw – Connecting Rod	1
33	212004	Valve – Exhaust	1
34	261233	Valve – Intake	1
35	260552	Spring – Intake Valve	1
36	26478	Spring – Exhaust Valve	1
40	93312	Retainer – Valve Spring	1
45	261250	Tappet – Valve	1
46	392171	Gear – Cam	1
219	391737	Governor Gear	1
220	221551	Washer – Thrust	1
227	394541	Lever Assy. – Governor	1
230	222450	Washer – Governor Lever	1
298	220859	Locknut – Muffler	1
299	392811	Muffler – Exhaust (Lo-Tone)	1
306	223086	Shield – Cylinder	1
307	93490	Screw – Cylinder Shield Mtg.	1
308	223085	Cover – Cylinder Head	1
337	293918	Plug – Spark (With Gasket) 1½" High (Resistor Type)	1
346	93705	Screw	1
353	92791	Washer – Lock	1
354	90576	Nut – Hex.	1
356	394782	Wire – Ground	1
357	91539	Key – Square	1
358	392856	Gasket Set	1
383	89838	Wrench – Spark Plug	1
506	90200	Screw – Machine, Fil. Hd.	1
507	66895	Insulator	1
526	93343	Screw – Tank Bracket Mounting	1
527	221279	Clamp – Breather Tube	1
528	230634	Tube – Breather	1
529	67608	Grommet – Breather Tube	1
552	231079	Bushing – Governor Shaft	1
562	92613	Bolt – Governor Lever	1
592	231082	Nut – Hex. – Screw Head	1
614	93306	Cotter – Hair Pin	1
615	93307	Retainer E-Ring	1
616	231077	Crank – Governor	1
676	393760	Deflector – Exhaust	1
687	390690	Slide – Friction Control	1
688	221766	Cap – Friction Spring	1
689	260847	Spring – Friction	1
690	92484	Screw – Machine, Fil. Hd.	1
729	221907	Clip – Wire (Used to Retain Ground Wire Lead to Cyl. Rib)	1
869	210879	Seat–Intake Valve (Standard)	1
870	211291	Seat–Exhaust Valve (Standard)	1
871	63709	Guide – Exhaust Valve	1

\* Included in Gasket Set – Part No. 392856





## ENGINE BRIGGS & STRATTON MODEL 112202-0135-01

Ref. No.	Part No.	Description	No. Used
163	27660	Gasket – Air Cleaner Mounting	1
534	93322	Screw – Air Cleaner	1

Ref. No.	Part No.	Description	No. Used
535	27987	Element – Air Cleaner	1
536	297036	Cleaner Assembly – Air	1
643	280374	Cup – Support	1

# The Toro Promise

## A ONE YEAR LIMITED WARRANTY

*The Toro Company promises to repair your TORO Product if defective in materials or workmanship. The following time periods from the date of purchase apply:*

Residential Product . . . . .	1 Year
Residential Products Used Commercially . . . . .	45 Days

*The costs of parts and labor are included, but the customer pays the transportation costs. Just return any residential product to an Authorized TORO Service Dealer or TORO Distributor.*

Should you feel your TORO Product is defective and wish to rely on The Toro Promise, the following procedure is recommended:

1. Contact any Authorized TORO Service Dealer, TORO Master Service Dealer, or TORO Distributor (the Yellow Pages of your telephone directory is a good reference source).
2. He will either instruct you to return the product to him or recommend another Authorized TORO Service outlet which might be more convenient.
3. Bring the product along with your original sales slip, or other evidence of purchase date, to the service dealer.
4. The servicing dealer will inspect the unit, advise you whether the product is defective and, if so, make all repairs necessary to correct the defect without extra charge to you.

If for any reason you are dissatisfied with the dealer's analysis of the defect or the service performed, you may contact us.

Write:

TORO Consumer Service Department  
8111 Lyndale Avenue South  
Minneapolis, Minnesota 55420

The above remedy of product defects through repair by an Authorized TORO Service Dealer is the purchaser's sole remedy for any defect.

**THERE IS NO OTHER EXPRESS WARRANTY. ALL IMPLIED WARRANTIES OF MERCHANTABILITY AND FITNESS FOR USE ARE LIMITED TO THE DURATION OF THE EXPRESS WARRANTY.**

Some states do not allow limitations on how long an implied warranty lasts, so the above limitation may not apply to you.

This warranty applies only to parts or components which are defective and does not cover repairs necessary due to normal wear, misuse, accidents, or lack of proper maintenance. Regular, routine maintenance of the unit to keep it in proper operating condition is the responsibility of the owner.

All warranty repairs reimbursable under The Toro Promise must be performed by an Authorized TORO Service Dealer using Toro approved replacement parts.

Repairs or attempted repairs by anyone other than an Authorized TORO Service Account are not reimbursable under The Toro Promise. In addition, these unauthorized repair attempts may result in additional malfunctions, the correction of which is not covered by warranty.

**THE TORO COMPANY IS NOT LIABLE FOR INDIRECT, INCIDENTAL OR CONSEQUENTIAL DAMAGES IN CONNECTION WITH THE USE OF THE PRODUCT INCLUDING ANY COST OR EXPENSE OF PROVIDING SUBSTITUTE EQUIPMENT OR SERVICE DURING PERIODS OF MALFUNCTION OR NON-USE.**

Some states do not allow the exclusion or limitation of incidental or consequential damages, so the above limitation or exclusion may not apply to you.

This warranty gives you specific legal rights, and you may also have other rights which vary from state to state.

### COUNTRIES OTHER THAN THE UNITED STATES OR CANADA

Customers who have purchased TORO products exported from the United States or Canada should contact their TORO Distributor (Dealer) to obtain guarantee policies for your country, province or state. If for any reason

you are dissatisfied with your Distributor's service or have difficulty obtaining guarantee information, contact the TORO importer. If all other remedies fail, you may contact us at The Toro Company.

Compliance with Radio Interference Regulations Certified.  
Certifie Conforme au Reglement sur le Brouillage Radioelectrique.



