



Track Tensioner Kit

Dingo[®] TX425

Model No. 106-7610

Model No. 106-7611

Model No. 106-7612

Parts Catalog

Ordering Replacement Parts

To order replacement parts, please supply: the part number, the quantity, and the description of each part desired.

Understanding Reference Numbers

Each identified part in an illustration has a reference number. The reference number for a part also appears in the parts list, along with other information about the part.

This catalog uses two special reference number formats, one to indicate parts in a service assembly and another to indicate the quantity of a given part in an illustration.

Service Assembly Reference Numbers

Parts in service assemblies have reference numbers in the form **a:b**. The **a** represents the reference number of the entire service assembly and the **b** represents a sequential number unique to each part within the service assembly.

For example, a wheel assembly might be identified by reference number **6**, the tire by **6:1**, the valve by **6:2**, and the wheel by **6:3**. When you order the assembly identified by reference number **6**, you receive all parts identified by reference numbers **6:1**, **6:2**, and **6:3**. However, you may also order any part individually.

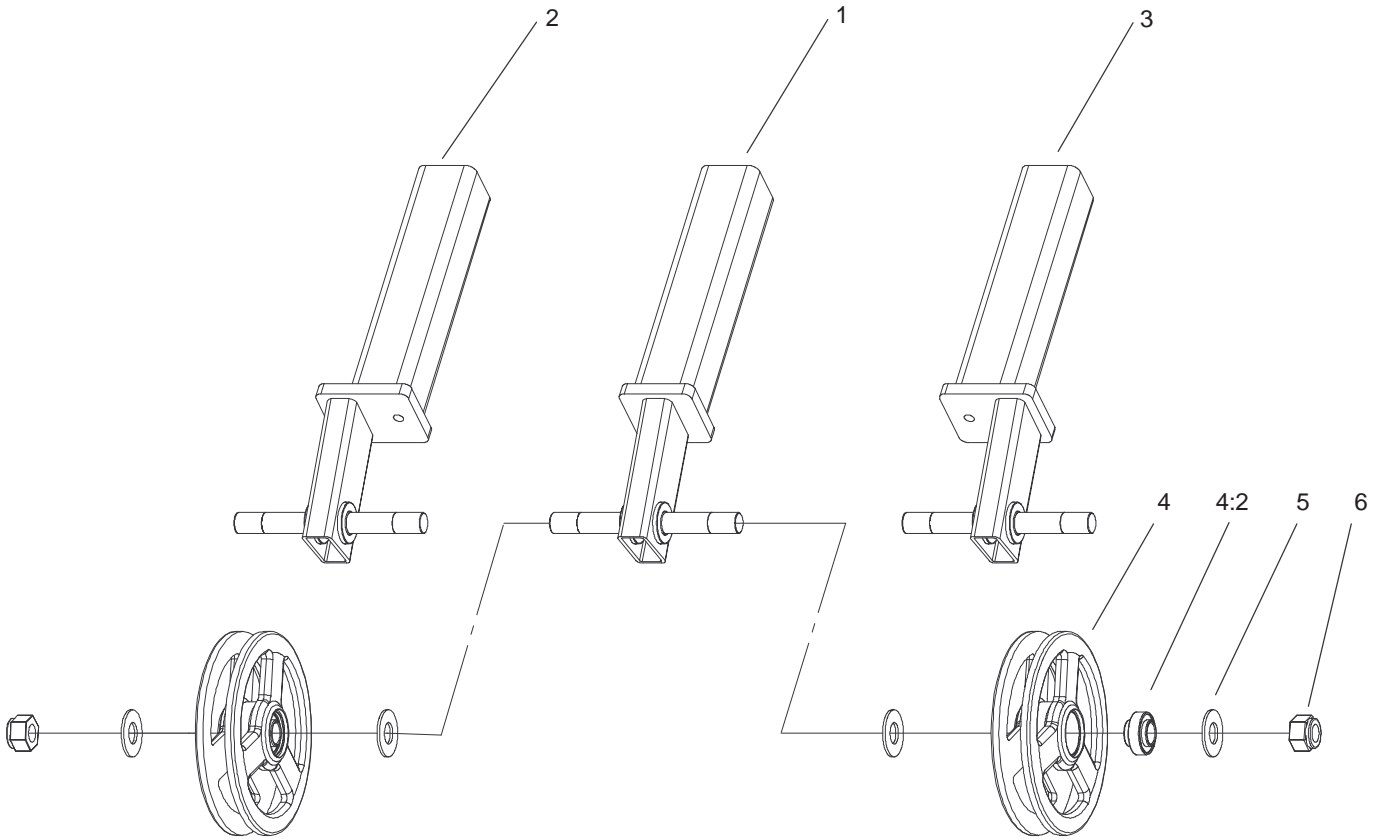
Reference numbers of this type appear in illustrations and in part lists.

Reference Numbers Indicating Quantity

In an illustration, if a reference number indicates more than one part, the reference number has the form **nX y**. The **n** represents the quantity of the part, the **X** is the multiplication symbol, and the **y** represents the reference number.

For example, in an illustration, the reference number **2X 37** means that two of the parts identified by reference number **37** are indicated.

Ref. No. 1 for serial number 220000401 and higher.
 Ref. No. 2 and 3 for serial number 220000400 and lower.



Sheet No.:0

Track Tensioner Assembly

Ref. No.	Part No.	Qty.	Description
1	104-6127-03	1	Tensioner Arm ASM (only on: 106-7610)
2	104-6124-03	1	RH Tensioner Arm ASM (only on: 106-7611)
3	104-6125-03	1	LH Tensioner Arm ASM (only on: 106-7612)
4	104-6123	2	Tensioner Wheel ASM
4:2	104-6129	2	Bearing-Ball
5	104-6126	4	Washer-Flat
6	104-2024	2	Nut-Lock

Ref. No.	Part No.	Qty.	Description