



Count on it.

Parts Catalog

22in Recycler®

Lawn Mower

Model No. 21472—Serial No. 411764000 and Up



Ordering Replacement Parts

To order replacement parts, please supply the part number, the quantity, and the description of each part desired.

Understanding Reference Numbers

Each identified part in an illustration has a reference number. The reference number for a part also appears in the parts list, along with other information about the part.

This catalog uses two special reference number formats, one to indicate parts in a service assembly and another to indicate the quantity of a given part in an illustration.

Service Assembly Reference Numbers

Parts in service assemblies have reference numbers in the form a:b. The a represents the reference number of the entire service assembly and the b represents a sequential number unique to each part within the service assembly.

For example, a wheel assembly might be identified by reference number 6, the tire by 6:1, the valve by 6:2, and the wheel by 6:3. When you order the assembly identified by reference number 6, you receive all parts identified by reference numbers 6:1, 6:2, and 6:3. However, you may also order any part individually. Reference numbers of this type appear in illustration and in parts lists.

Reference Numbers Indicating Quantity

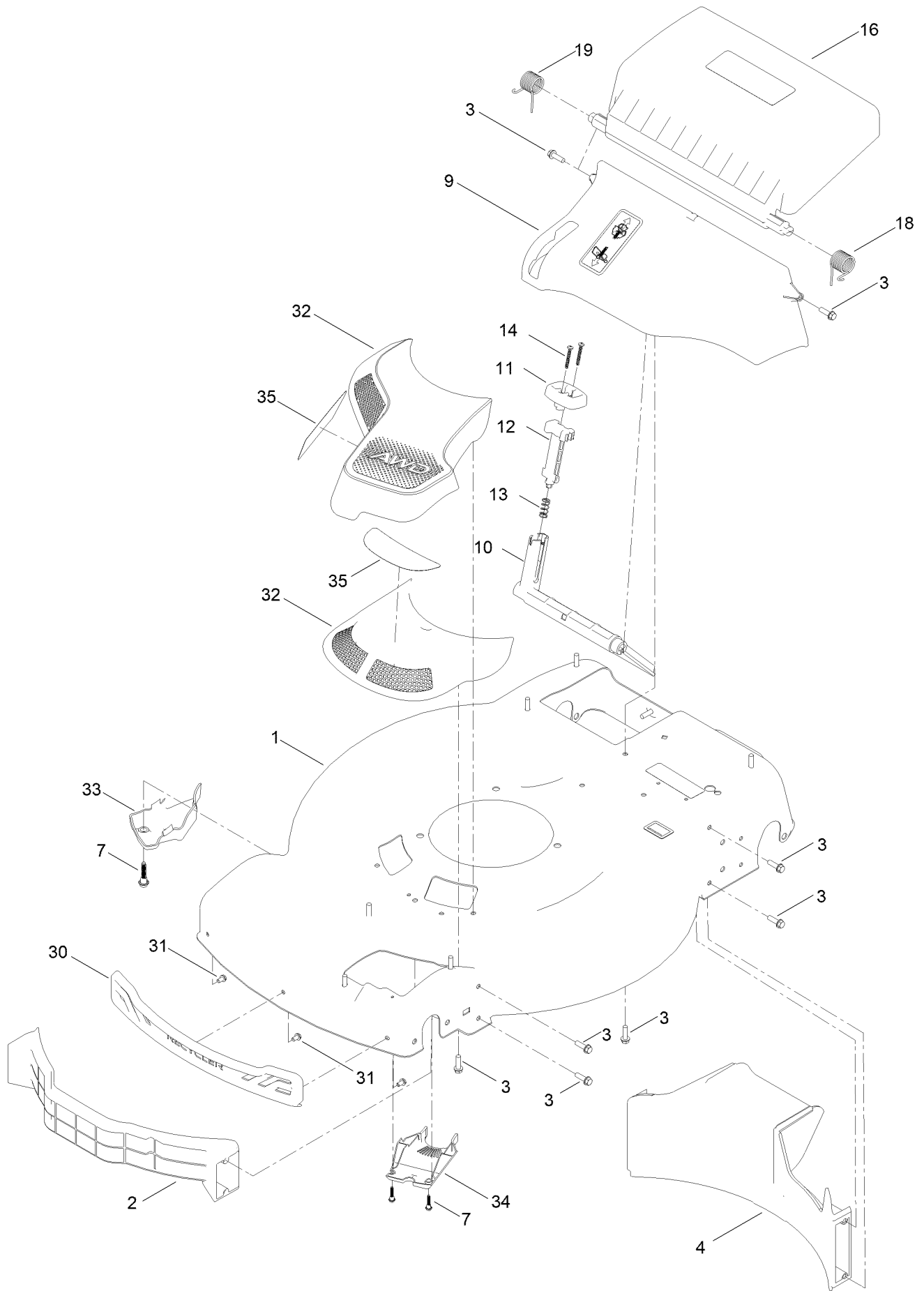
In an illustration, if a reference number indicates more than one part, the reference number has the form nX y. The n represents the quantity of the part, the X is the multiplication symbol, and the y represents the reference number.

For example, in an illustration, the reference number 2X 37 means that two of the parts identified by reference number 37 are indicated.

Contents

- Housing Assembly 4
- Rear Bag Assembly 6
- Decal Assembly 8
- Engine Assembly 10
- Front Wheel and Height-of-Cut Assembly 12
- Rear Wheel and Height-of-Cut Assembly 14
- Handle Assembly 16
- Attachments and Accessories 18

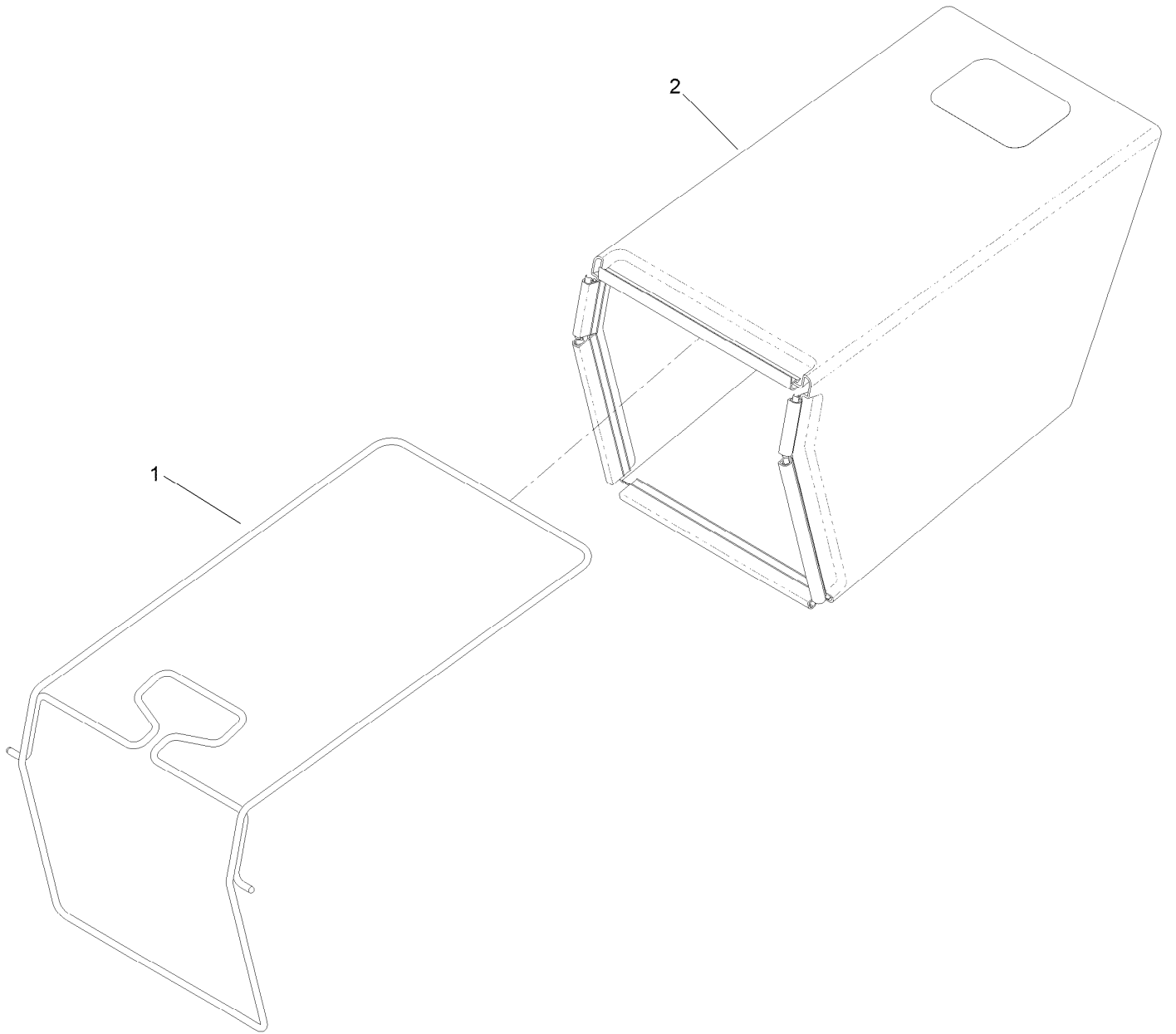
Housing Assembly



Housing Assembly (continued)

<i>Ref.</i>	<i>Part Number</i>	<i>Qty.</i>	<i>Description</i>	<i>Ref.</i>	<i>Part Number</i>	<i>Qty.</i>	<i>Description</i>
1	144-3193	1	Housing ASM	14	32104-120	2	Screw-PPH
2	144-6427	1	Baffle-Front	16	139-5476	1	ASM-Rear Door, In Mold
3	46-8091	17	Screw-HWH	18	139-5478	1	Spring-Torsion, LH
4	139-5440	1	Baffle-Rear, Rwd	19	139-5479	1	Spring-Torsion, RH
7	131-0837	3	Screw-Shoulder, HHF	30	139-5457	1	Bumper-Front
9	140-2368	1	ASM-Chute, In Mold	31	139-5467	3	Screw-Plastic, HWH
10	139-5443	1	Deflector-Recycle	32	144-0211	1	ASM-Intake, Awd
11	139-5444	1	Knob-Recycle	33	140-2384	1	Cover-Intake, Bottom
12	139-5445	1	Latch-Recycle	34	140-2389	1	Cover-Belt, Lower (Awd)
13	140-4192	1	Spring-Compression	35	140-4186	1	Decal

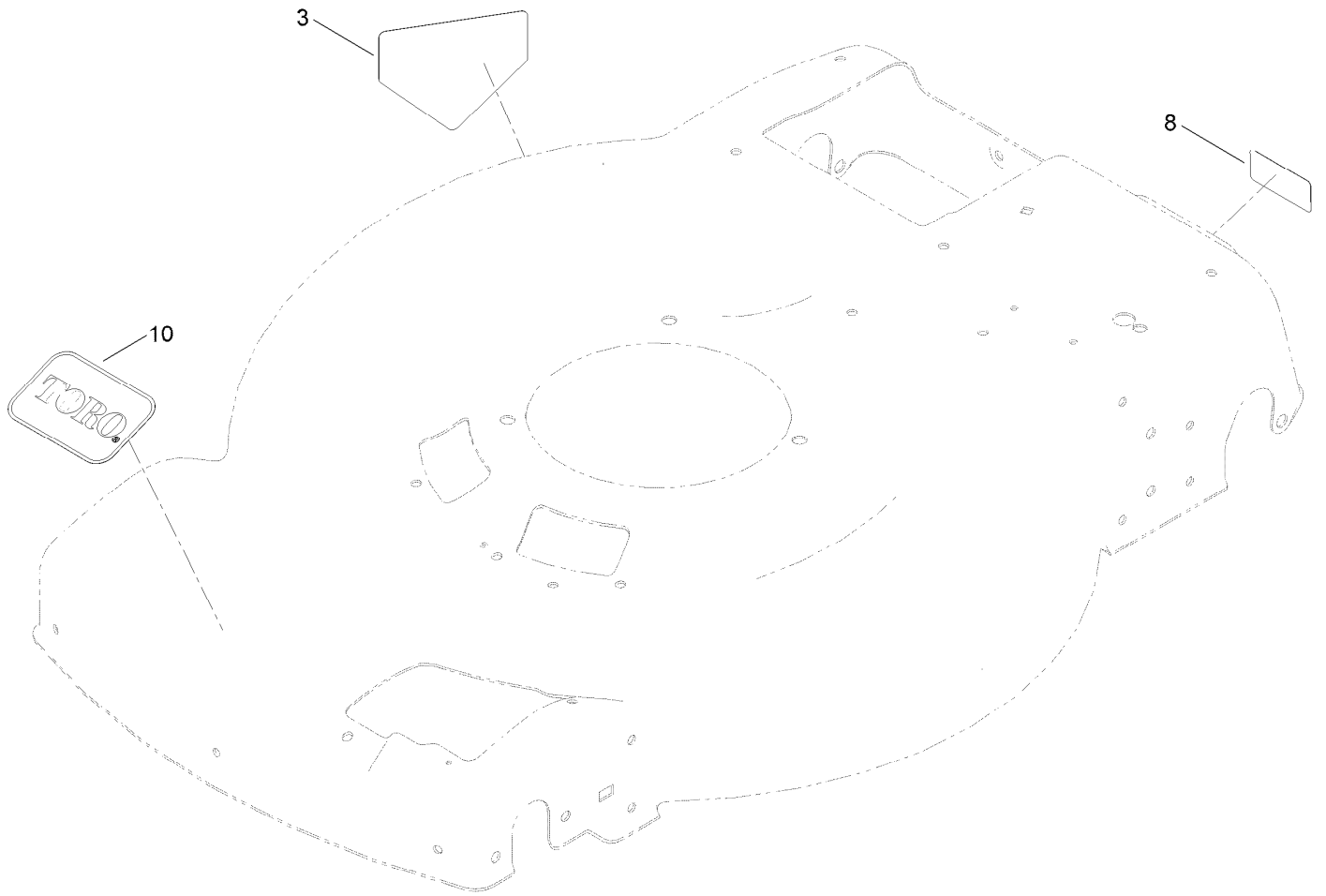
Rear Bag Assembly



Rear Bag Assembly (continued)

<i>Ref.</i>	<i>Part Number</i>	<i>Qty.</i>	<i>Description</i>
1	139-5470-03	1	ASM-Frame, Bag
2	139-5471	1	ASM-Bag, Grass

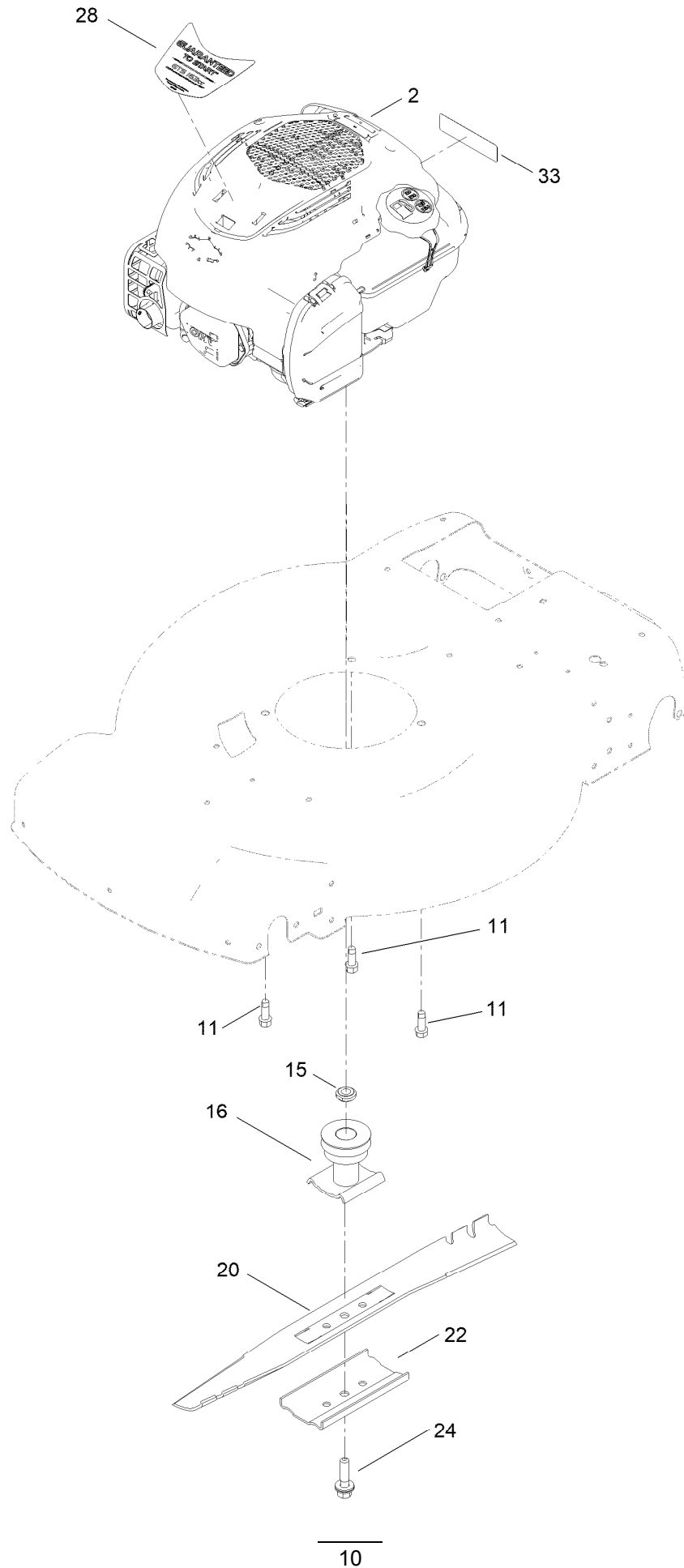
Decal Assembly



Decal Assembly (continued)

<i>Ref.</i>	<i>Part Number</i>	<i>Qty.</i>	<i>Description</i>
3	94-8072	1	Decal-Danger
8	121-5684	1	Decal-Location, Service Dealer
10	140-4183	1	Decal

Engine Assembly



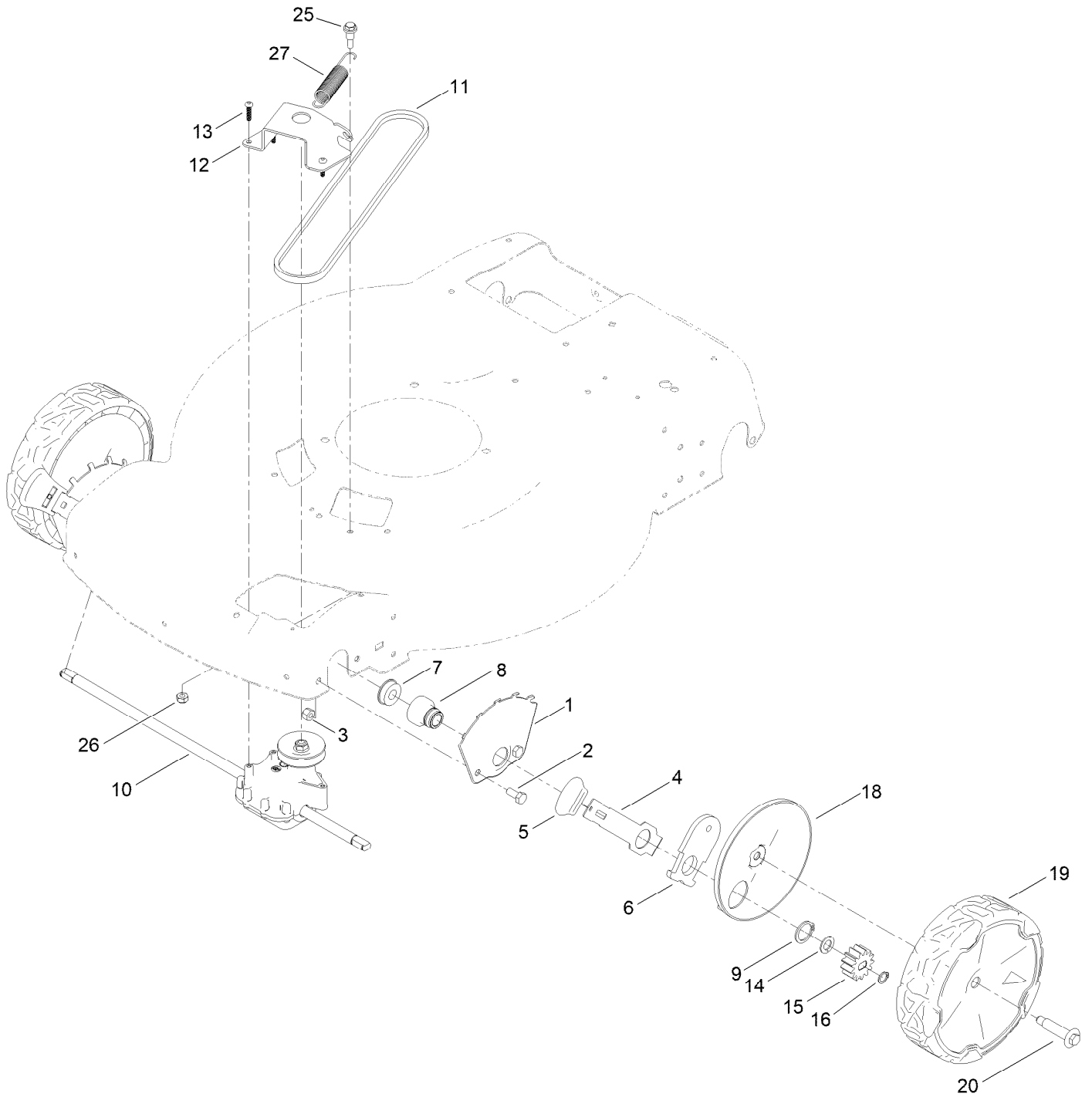
Engine Assembly (continued)

<i>Ref.</i>	<i>Part Number</i>	<i>Qty.</i>	<i>Description</i>	<i>Ref.</i>	<i>Part Number</i>	<i>Qty.</i>	<i>Description</i>
2		1	Engine-Briggs, 104M020010F1 ●■	20	131-4547-03	1	Blade-22 Inch
11	121-5844	3	Screw-Thd Form, HWH	22	108-3766-03	1	Support-Blade
15	106-3999	1	Spacer-Driver	24	125-2466	1	Bolt-Blade
16	130-6705	1	Driver-Blade	28	140-4248	1	Decal - Briggs 725 Ex
				33	133-8062	1	Decal-Spark Arrestor

● Not serviced separately

■ Obtain parts from www.briggsandstratton.com

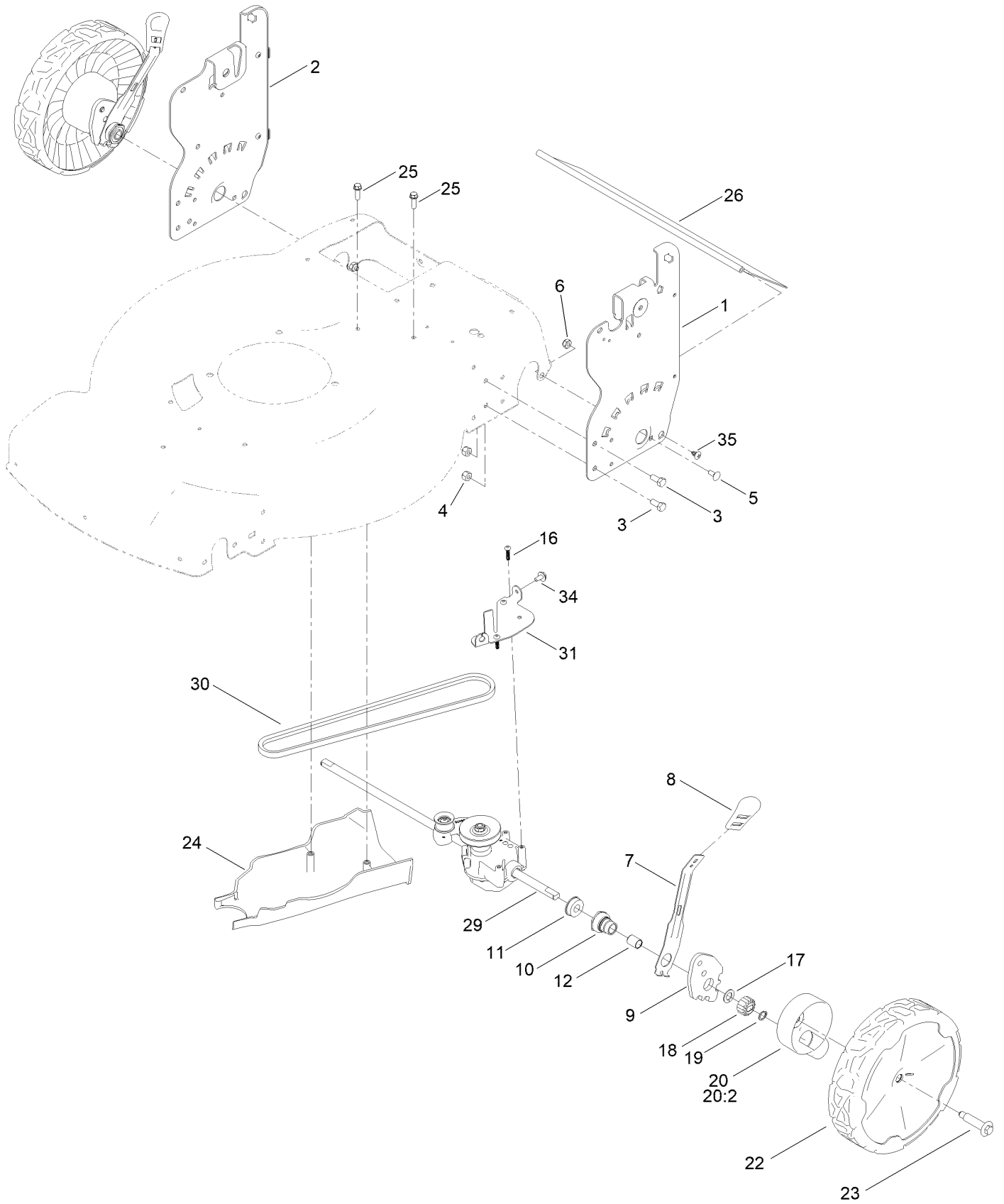
Front Wheel and Height-of-Cut Assembly



Front Wheel and Height-of-Cut Assembly (continued)

<i>Ref.</i>	<i>Part Number</i>	<i>Qty.</i>	<i>Description</i>	<i>Ref.</i>	<i>Part Number</i>	<i>Qty.</i>	<i>Description</i>
1	115-1956-05	2	Plate-HOC,Front Fsvq	13	108-7476	3	Screw-Plastite
2	322-3	4	Screw-HH	14	110-7191	2	Washer-Thrust
3	3296-29	4	Nut-Lock, NI	15	131-0896	2	Gear-Pinion, 13T
4	105-1809	2	Arm-Spring	16	32151-61	2	Ring-Retaining
5	110-0549	2	Knob-HOC	18	140-2364	2	ASM-Cover, Wheel (Dk Gray)
6	137-9128	2	Arm-Pivot, Front	19	140-2358	2	ASM-8" Wheel, Fwd (Bushings)
7	104-8699	2	Bearing-Ball	20	139-1789	2	Wheel Bolt
8	131-0836	2	Retainer-Bearing, HOC	25	104-0858	1	Bolt-Shoulder
9	32151-36	2	Ring-Retaining	26	3296-16	1	Nut-Lock, NI
10	137-4823	1	Transmission	27	140-4193	1	Spring-Extension
11	71-9450	1	V-Belt				
12	114-7978-03	1	Bracket-Transmission				

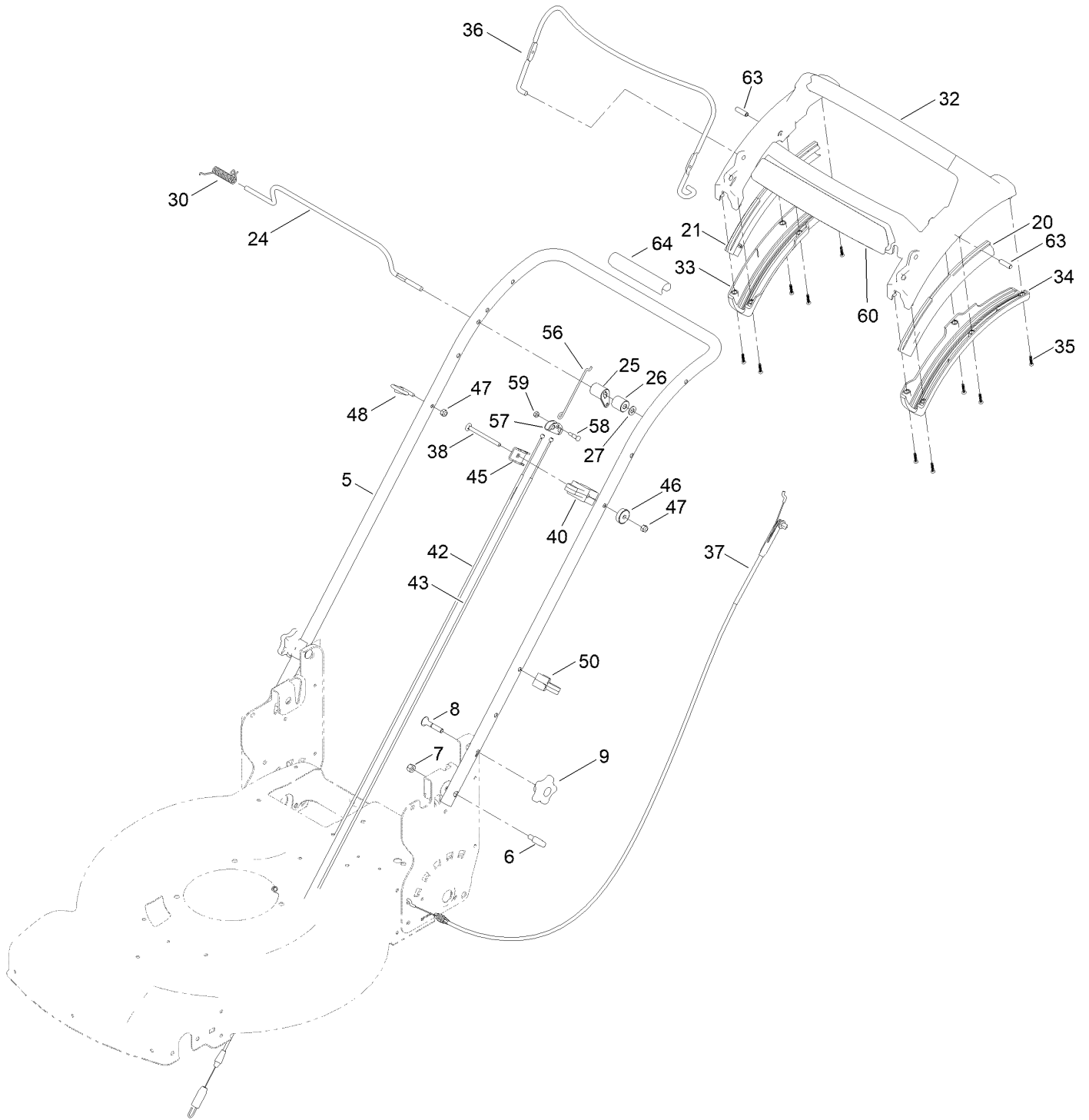
Rear Wheel and Height-of-Cut Assembly



Rear Wheel and Height-of-Cut Assembly (continued)

<i>Ref.</i>	<i>Part Number</i>	<i>Qty.</i>	<i>Description</i>	<i>Ref.</i>	<i>Part Number</i>	<i>Qty.</i>	<i>Description</i>
1	144-6476-05	1	Plate-HOC, LH	18	131-5399	2	Gear-Pinion, 15T
2	144-6515-05	1	Plate-HOC, RH (ISO)	19	32151-61	2	Ring-Retaining
3	322-3	4	Screw-HH	20	140-2362	2	ASM-Cover, Gear (Dk Gray)
4	3296-29	4	Nut-Lock, NI	20:2	614426	1	Washer-Stepped
5	3229-11	2	Screw-CARR	22	140-2350	2	ASM-9.65" Wheel, Geared
6	3296-16	2	Nut-Lock, NI	23	139-1789	2	Wheel Bolt
7	132-4486	2	Arm-Spring	24	130-6709	1	Cover-Belt, Rear
8	110-0549	2	Knob-HOC	25	46-8091	2	Screw-HWH
9	139-5451	2	Arm-Pivot, Rear	26	139-6597	1	Shield-Trailing
10	108-9779	2	Retainer-Bushing, HOC	29	140-2370	1	Transmission-Awd
11	104-8699	2	Bearing-Ball	30	140-2380	1	Belt-Awd, 34.50
12	108-9782	2	Bushing-Sleeve	31	140-2371-03	1	Guide-Belt, Awd
16	108-7476	3	Screw-Plastite	34	46-8560	1	Screw-HHFTF
17	110-7191	2	Washer-Thrust	35	117-1092	2	Screw-PTH

Handle Assembly



Handle Assembly (continued)

<i>Ref.</i>	<i>Part Number</i>	<i>Qty.</i>	<i>Description</i>	<i>Ref.</i>	<i>Part Number</i>	<i>Qty.</i>	<i>Description</i>
5	144-0227-05	1	Handle-Curved, Awd	37	139-6594	1	Cable-Brake, Pp B&s
6	139-6599	2	Bolt-Shoulder, Handle	38	144-0222	1	Screw-CARR
7	3296-29	2	Nut-Lock, NI	40	139-6582	1	Anchor-Cable, Awd
8	131-9663	2	Screw-CARR	42	140-2391	1	Cable-Traction, Front (Awd)
9	117-5976	2	Knob-Handle	43	140-2392	1	Cable-Traction, Rear (Awd)
20	140-2367	1	Guide-Curved, LH (Rwd)	45	136-5922	1	Clamp-Cable
21	140-2366	1	Guide-Curved, RH (Rwd)	46	136-9075	1	Washer-Curved
24	139-5464	1	Rod-Control, Traction	47	3296-73	2	Nut-Lock, NI
25	140-2378	1	Lever-Traction, Awd	48	86-9671	1	Guide-Rope
26	144-0219	1	Spacer-Lever, Traction	50	114-7988	1	Guide-Cable
27	3256-23	1	Washer-Plain	56	140-2379	1	Linkage-Equalizer
30	140-4194	1	Spring-Torsion	57	144-0213	1	Yoke-Cable
32	139-6569	1	Handle-Personal Pace, Curved	58	144-0212	1	Bolt-Equalizer
33	139-6567	1	Bottom-Handle, RH	59	3296-2	1	Nut-Lock, NI
34	139-6568	1	Bottom-Handle, LH	60	140-4187	1	Decal
35	94-4496	10	Screw-PPH	63	139-6577	2	Pin-Handle, Pp
36	140-4023-03	1	Bail-Brake	64	131-4551	1	Cover-Handle

Attachments and Accessories

For 21472 22in Recycler Lawn Mower

Product Name	Model/Part
Traction Assist Handle Kit.....	144-6377
22 Inch Atomic Blade.....	59534P
Briggs Maint Kit.....	130-8148
Lawnmower Cover.....	490-7462
Lawn Striping Kit with 22in Roller.....	20601
Bag-Walk Behind (Toro).....	490-7318
Fuel Stabilizer .05 oz.....	130-2393
Summer Oil-Case of 24 (20oz Bottles).....	38916
4-Cycle Fuel, Snow And Lawn 32oz Can.....	131-3823
Chute ASM.....	139-6556
Oil-30/10W-30 Synthetic (Quart).....	138-6053
Toro Premium Fuel Treatment 12oz Bottle.....	131-6572
Toro 4-Cycle SAE 30 Oil (32oz Bottle).....	38903

For 21472 22in Recycler Lawn Mower

Product Name	Model/Part
Traction Assist Handle Kit.....	144-6377
22 Inch Atomic Blade.....	59534P
Briggs Maint Kit.....	130-8148
Lawnmower Cover.....	490-7462
Lawn Striping Kit with 22in Roller.....	20601
Bag-Walk Behind (Toro).....	490-7318
Fuel Stabilizer .05 oz.....	130-2393
Summer Oil-Case of 24 (20oz Bottles).....	38916
4-Cycle Fuel, Snow And Lawn 32oz Can.....	131-3823
Chute ASM.....	139-6556
Oil-30/10W-30 Synthetic (Quart).....	138-6053
Toro Premium Fuel Treatment 12oz Bottle.....	131-6572
Toro 4-Cycle SAE 30 Oil (32oz Bottle).....	38903

Notes:



Count on it.