



## 22in Recycler<sup>®</sup> Lawnmower

Model No. 20009–220000001 and Up

### Parts Catalog

#### Ordering Replacement Parts

To order replacement parts, please supply: the part number, the quantity, and the description of each part desired.

#### Understanding Reference Numbers

Each identified part in an illustration has a reference number. The reference number for a part also appears in the parts list, along with other information about the part.

This catalog uses two special reference number formats, one to indicate parts in a service assembly and another to indicate the quantity of a given part in an illustration.

#### Service Assembly Reference Numbers

Parts in service assemblies have reference numbers in the form **a:b**. The **a** represents the reference number of the entire service assembly and the **b** represents a sequential number unique to each part within the service assembly.

For example, a wheel assembly might be identified by reference number **6**, the tire by **6:1**, the valve by **6:2**, and the wheel by **6:3**. When you order the assembly identified by reference number **6**, you receive all parts identified by reference numbers **6:1**, **6:2**, and **6:3**. However, you may also order any part individually.

Reference numbers of this type appear in illustrations and in part lists.

#### Reference Numbers Indicating Quantity

In an illustration, if a reference number indicates more than one part, the reference number has the form **nX y**. The **n** represents the quantity of the part, the **X** is the multiplication symbol, and the **y** represents the reference number.

For example, in an illustration, the reference number **2X 37** means that two of the parts identified by reference number **37** are indicated.

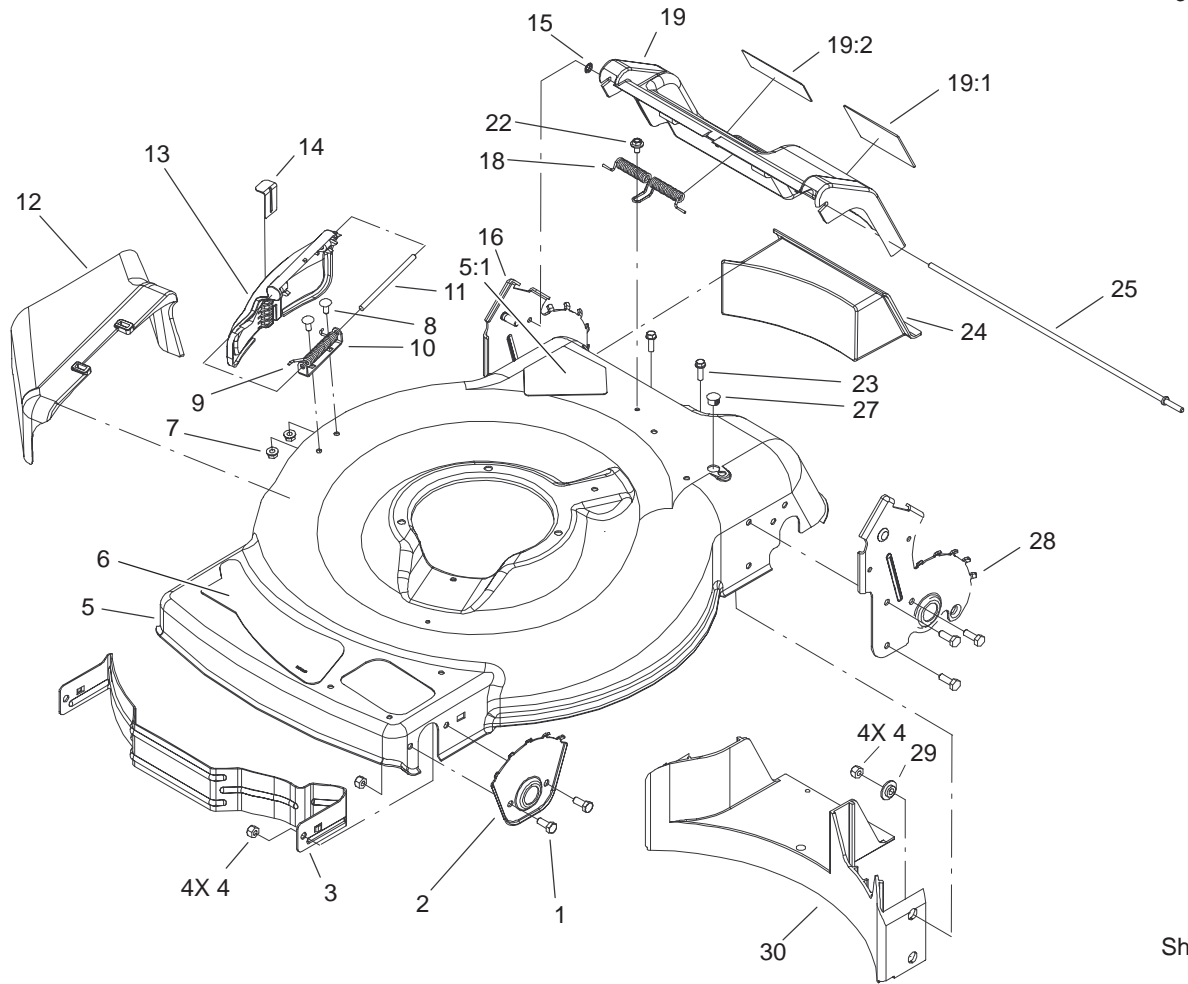
## Contents

<b>Description</b>	<b>Page</b>	<b>Description</b>	<b>Page</b>
Deck, Side Chute, and Rear Door Assembly . .	3	Engine Assembly	
Rear Axle and Wheel Assembly . . . . .	4	Tecumseh–LEV120–361541B . . . . .	10
Front Axle and Wheel Assembly . . . . .	5	Engine Assembly	
Engine and Blade Assembly . . . . .	6	Tecumseh–LEV120–361541B (Continued) . .	11
Handle and Control Assembly . . . . .	7	Recoil Starter No. 590739	
Carburetor No. 640303		Tecumseh–LEV120–361541B . . . . .	12
Tecumseh–LEV120–361541B . . . . .	8	Recoil Starter No. 590702 (Optional)	
Engine Assembly		Tecumseh–LEV120–361541B . . . . .	13
Tecumseh–LEV120–361541B . . . . .	9		

## Part Description Abbreviations

Part descriptions in this catalog may include the following abbreviations.

<b>Abbreviation</b>	<b>Meaning</b>	<b>Abbreviation</b>	<b>Meaning</b>
AR . . . . .	as required	HYD . . . . .	hydraulic
ASM . . . . .	assembly	INC . . . . .	incorporated
CARR . . . . .	carriage	LH . . . . .	left hand
DEG . . . . .	degrees	NI . . . . .	nylon insert
FH . . . . .	flat head	PPH . . . . .	Phillips pan head
GA . . . . .	gauge	PTH . . . . .	Phillips truss head
HF . . . . .	hex flange	PTO . . . . .	power take off
HH . . . . .	hex head	RH . . . . .	right hand
HHF . . . . .	hex head flange	SFH . . . . .	slotted fillister head
HLH . . . . .	hex lag head	SHH . . . . .	slotted hex head
HJ . . . . .	hex jam	SQH . . . . .	square head
HOC . . . . .	height-of-cut	SHWH . . . . .	slotted hex washer head
HS . . . . .	hex socket	SPH . . . . .	slotted pan head
HSBH . . . . .	hex socket button head	SRH . . . . .	slotted round head
HSFH . . . . .	hex socket flat head	STD . . . . .	standard
HSH . . . . .	hex socket head	TAP . . . . .	self tapping
HWH . . . . .	hex washer head	TTH . . . . .	Torx truss head
HWHTF . . . . .	hex washer head thread forming	WH . . . . .	wing head



Sheet No.:2

## Deck, Side Chute, and Rear Door Assembly

Ref. No.	Part No.	Qty.	Description
1	322-3	4	Screw-HH
2	105-1808-03	2	Plate-HOC, Front
3	104-8694-03	1	Baffle-Front
4	3296-29	8	Nut-Lock, NI
5	104-7916	1	Housing
5:1	94-8072	1	Decal-Danger, Cut Finger
6	105-1297	1	Decal-Deck
7	32128-32	2	Nut-HHF
8	3229-11	2	Screw-CARR
9	99-5293	1	Spring-Torsion
10	99-5292	1	Bracket-Cover
11	99-5291	1	Rod-Cover
12	105-3028	1	Chute-Side Discharge
13	105-3027	1	Door-Side Discharge
14	105-3038	1	Lever-Latch
15	32112-6	1	Pushnut
16	105-3045	1	RH Rear HOC Plate ASM
18	105-3032	1	Spring-Door, Rear
19	105-1324	1	Door
19:1	104-7909	1	Decal-Warning
19:2	104-7908	1	Decal Warning
22	46-6810	1	Screw And Washer ASM
23	46-8091	2	Screw-HWH

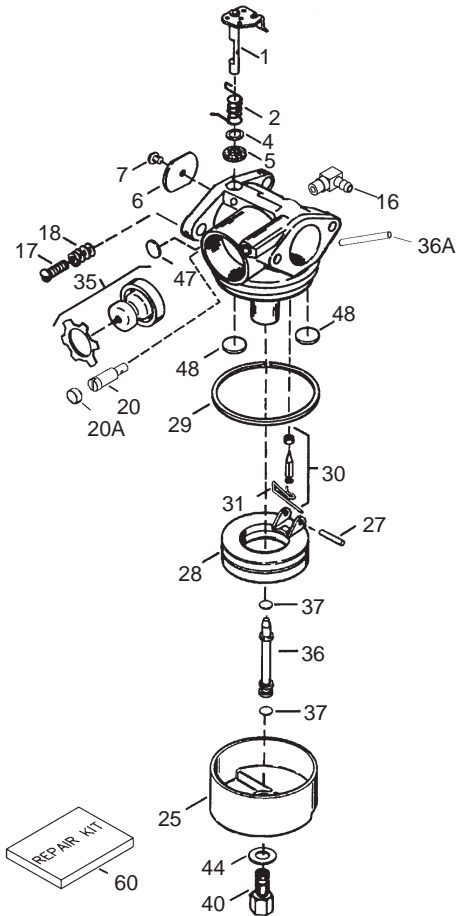
Ref. No.	Part No.	Qty.	Description
24	105-1842	1	Plug-Discharge, Rear
25	105-1827	1	Rod-Pivot, Rear Door
27	104-9369	1	Plug-Dome
28	105-3044	1	LH Rear HOC Plate ASM
29	105-3006	4	Washer-Stepped
30	105-3047	1	Baffle-Rear









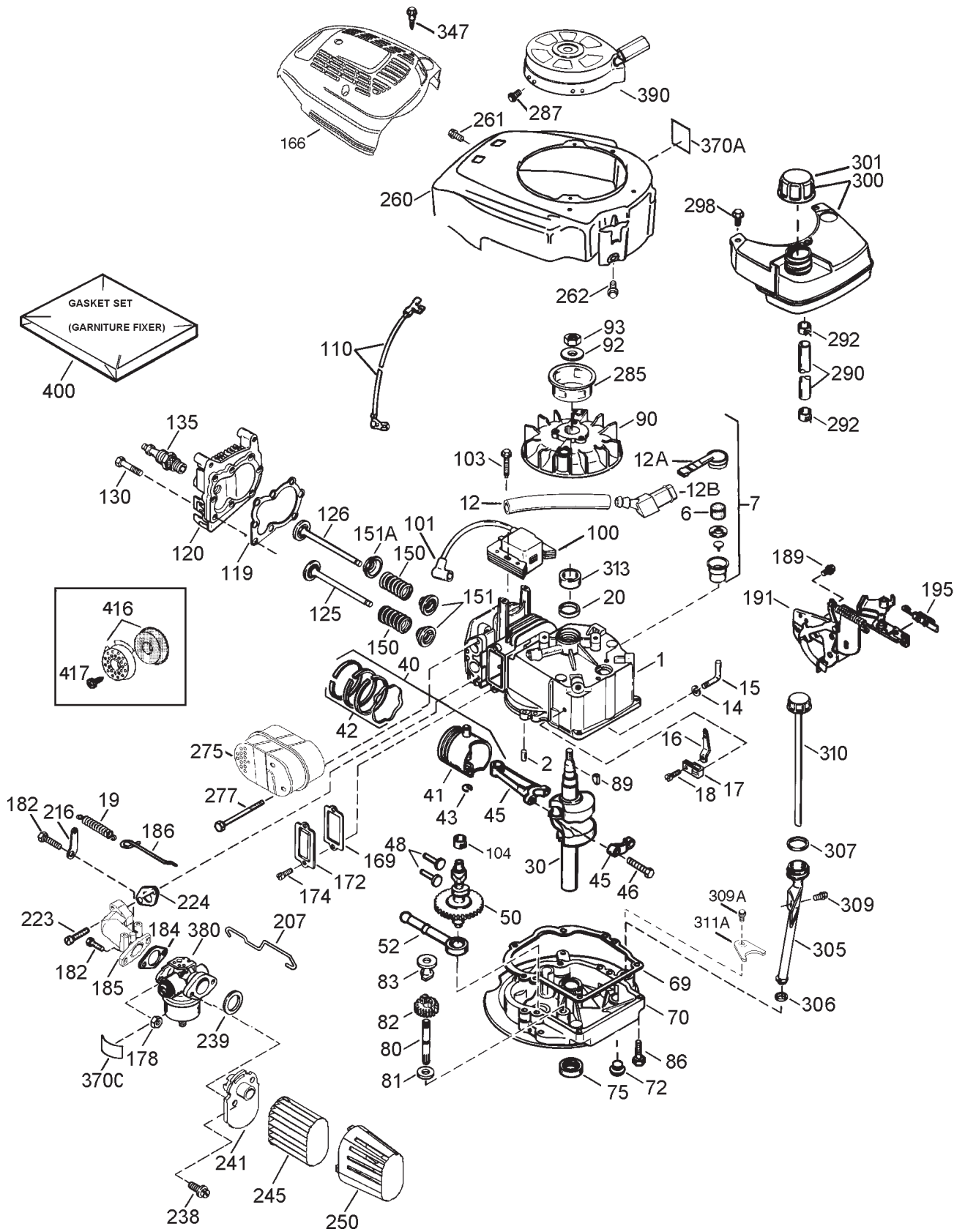


## Carburetor No. 640303 Tecumseh-LEV120-361541B

Ref. No.	Part No.	Qty.	Description	Ref. No.	Part No.	Qty.	Description
1	631615	1	Throttle Shaft & Lever Assembly	36	640019	1	Main Nozzle Tube
2	631767	1	Throttle Return Spring	36A	632766	1	Carburetor Tube
4	631184	1	Dust Seal Washer	37	632547	2	O-Ring, Main Nozzle Tube
5	631183	1	Dust Seal (Throttle)	40	640030	1	High Speed Bowl Nut
6	640070	1	Throttle Shutter	44	27110A	1	Bowl Nut Washer
7	650506	1	Shutter Screw	47	630748	1	Welch Plug, Idle Mixture Well
16	631807	1	Fuel Fitting	48	631027	1	Welch Plug, Atmospheric Vent
17	651025	1	Throttle Crack Screw/Idle Speed Screw	60	632760B	1	Repair Kit
18	630766	1	Tension Spring				
20	640018	1	Idle Restrictor Screw				
20A	640200	1	Idle Restrictor Screw Cap				
25	631867	1	Float Bowl				
27	631024	1	Float Shaft				
28	632765	1	Float (Plastic)				
29	631028	1	Float Bowl "O" Ring				
30	631021	1	Inlet Needle, Seat, & Clip (Incl. 31)				
31	631022	1	Spring Clip				
35	640259	1	Primer Bulb/Retainer Ring				

Obtain parts from local Tecumseh dealer

# Engine Assembly Tecumseh-LEV120-361541B



## Engine Assembly Tecumseh-LEV120-361541B

Ref. No.	Part No.	Qty.	Description
1	37265	1	Cylinder (Incl. 2,20 & 150)
2	26727	2	Dowel Pin
6	33734	1	Breather Element
7	36557	1	Breather Body ASM (Incl. 6 & 12A)
12	36775	1	Breather Tube
12A	36558	1	Breather Cover & Tube
12B	36694	1	Breather Tube Elbow
14	28277	1	Washer
15	30589	1	Governor Rod (Incl. 14)
16	34839A	1	Governor Lever
17	31335	1	Governor Lever Clamp
18	651018	1	Screw, Torx T-15
19	36281	1	Extension Spring
20	32600	1	Oil Seal
30	37692	1	Crankshaft
40	40027	1	Piston, Pin & Ring Set (Std.)
41	40042	1	Piston & Pin ASM (Std.) (Incl. 43)
42	40006	1	Ring Set (Std.)
42	40007	1	Ring Set (.010" OS)
43	20381	2	Piston Pin Retaining Ring
45	36777	1	Connecting Rod ASM (Incl. 46)
46	32610A	2	Connecting Rod Bolt
48	27241	2	Valve Lifter
50	37460	1	Camshaft Exhaust(MCR)
52	29914	1	Oil Pump ASM
69	37609	1	Mounting Flange Gasket
70	37608	1	Mounting Flange (Incl. 72 thru 83)
72	37614	1	Oil Drain Plug
75	27897	1	Oil Seal
80	30574A	1	Governor Shaft
81	30590A	1	Washer
82	30591	1	Governor Gear ASM (Incl. 81)
83	30588A	1	Governor Spool
86	650488	6	Screw
89	611004	1	Flywheel Key
90	611112	1	Flywheel
92	650815	1	Belleville Washer
93	650816	1	Flywheel Nut
100	34443C	1	Solid State Ignition
101	610118	1	Spark Plug Cover
103	651007	2	Screw, Torx T-15
104	37480	1	Cam Bearing Bushing
110	37047	1	Ground Wire
119	36787	1	Cylinder Head Gasket
120	36825	1	Cylinder Head
125	36780	1	Exhaust Valve (1/32" OS) (Incl. 151)

Ref. No.	Part No.	Qty.	Description
126	37289	1	Intake Valve (Std.) (Incl. 151)
130	6021A	6	Screw
135	35395	1	Resistor Spark Plug (RJ19LM)
150	31672	2	Valve Spring
151	31673	2	Valve Spring Cap
151A	40017	1	Intake Valve Seal
166	37694	1	Engine Shroud
169	36783	1	Valve Cover Gasket
172	36784	1	Valve Cover
174	30200	2	Screw
178	29752	2	Nut & Lock Washer
182	6201	2	Screw
184	26756	1	Carburetor To Intake Pipe Gasket
185	37466	1	Intake Pipe
186	32653	1	Governor Link
189	650839	2	Screw
191	36559A	1	S.E. Brake Bracket (Incl. 195)
195	610973	1	Terminal
207	34336	1	Throttle Link
216	33086	1	R.P.M. Adjusting Lever
223	650451	2	Screw
224	36786	1	Intake Pipe Gasket
238	650932	2	Screw
239	34338	1	Air Cleaner Gasket
241	36919	1	Air Cleaner Vollar
245	36905	1	Air Cleaner Filter
250	37122	1	Air Cleaner Cover
260	37696	1	Blower Housing
261	30200	2	Screw
262	650831	2	Screw
263A	36758	1	Starter Grill
275	37498	1	Muffler
277	650988	2	Screw
285	35000A	1	Starter Cup
287	650926	2	Screw
290	29774	1	Fuel Line
292	26460	2	Fuel Line Clamp
298	28763	3	Screw
300	35586	1	Fuel Tank (Incl. 292 & 301)
301	36246	1	Fuel Cap
305	35647	1	Oil Fill Tube
306	37610	1	"O"-Ring
307	35499	1	"O"-Ring
309	650562	1	Screw
309A	650783	1	Screw
310	36801	1	Dipstick
311A	37611	1	Hold Down Bracket
313	34080	1	Spacer
347	650898A	1	Screw
370A	36261	1	Lubrication Decal
370C	37695	1	Primer Decal (3X)

Obtain parts from local Tecumseh dealer

## Engine Assembly Tecumseh-LEV120-361541B (Continued)

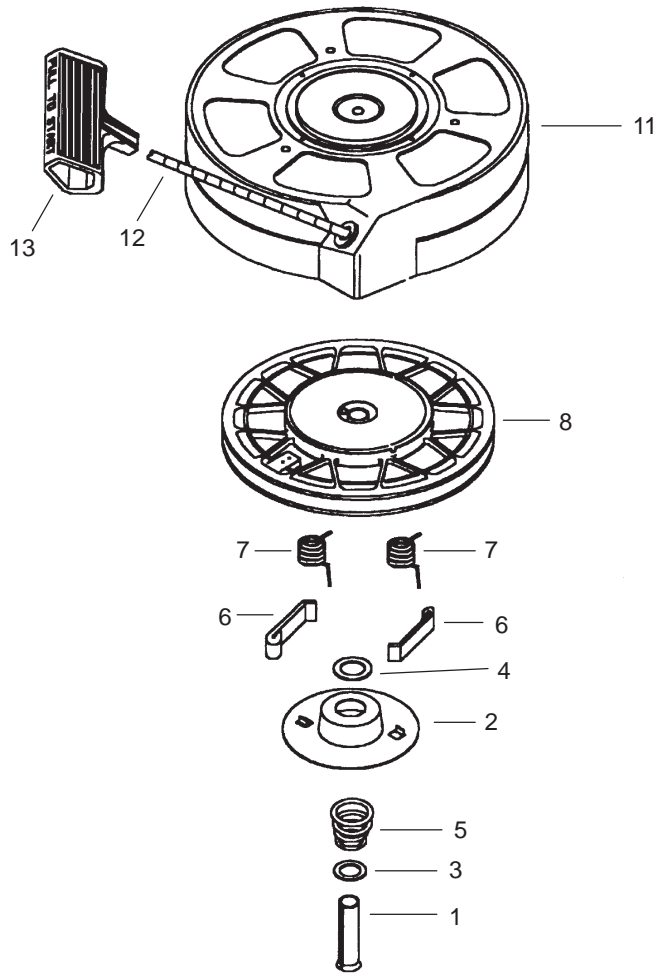
Ref. No.	Part No.	Qty.	Description
380	640303	1	Carburetor (Incl. 184)
390	590739	1	Rewind Starter
400	37613	1	Gasket Set
416	36085	1	Spark Arrestor Kit (Incl. 417) (Optional)
417	650760	1	Screw
*	750876	1	Shortblock

Ref. No.	Part No.	Qty.	Description

Obtain parts from local Tecumseh dealer

\* Not illustrated





### Recoil Starter No. 590702 (Optional) Tecumseh-LEV120-361541B

Ref. No.	Part No.	Qty.	Description
1	590599A	1	Spring Pin (Incl. 4)
2	590600	1	Washer
3	590696	1	Retainer
4	590601	2	Washer
5	590697	1	Brake Spring
6	590698	2	Starter Dog
7	590699	2	Dog Spring
8	590700	1	Pulley & Rewind Spring ASM
11	590703A	1	Starter Housing ASM (40 degree grommet)
12	590535	1	Starter Rope ( 98" X 9/64" dia.)
13	590701	1	Starter Handle

Ref. No.	Part No.	Qty.	Description

Obtain parts from local Tecumseh dealer





