



Count on it.

Parts Catalog

**Groundsmaster® 3500-D
Rotary Mower**

Model No. 30807—Serial No. 410400000 and Up



Ordering Replacement Parts

To order replacement parts, please supply the part number, the quantity, and the description of each part desired.

Understanding Reference Numbers

Each identified part in an illustration has a reference number. The reference number for a part also appears in the parts list, along with other information about the part.

This catalog uses two special reference number formats, one to indicate parts in a service assembly and another to indicate the quantity of a given part in an illustration.

Service Assembly Reference Numbers

Parts in service assemblies have reference numbers in the form a:b. The a represents the reference number of the entire service assembly and the b represents a sequential number unique to each part within the service assembly.

For example, a wheel assembly might be identified by reference number 6, the tire by 6:1, the valve by 6:2, and the wheel by 6:3. When you order the assembly identified by reference number 6, you receive all parts identified by reference numbers 6:1, 6:2, and 6:3. However, you may also order any part individually. Reference numbers of this type appear in illustration and in parts lists.

Reference Numbers Indicating Quantity

In an illustration, if a reference number indicates more than one part, the reference number has the form nX y. The n represents the quantity of the part, the X is the multiplication symbol, and the y represents the reference number.

For example, in an illustration, the reference number 2X 37 means that two of the parts identified by reference number 37 are indicated.

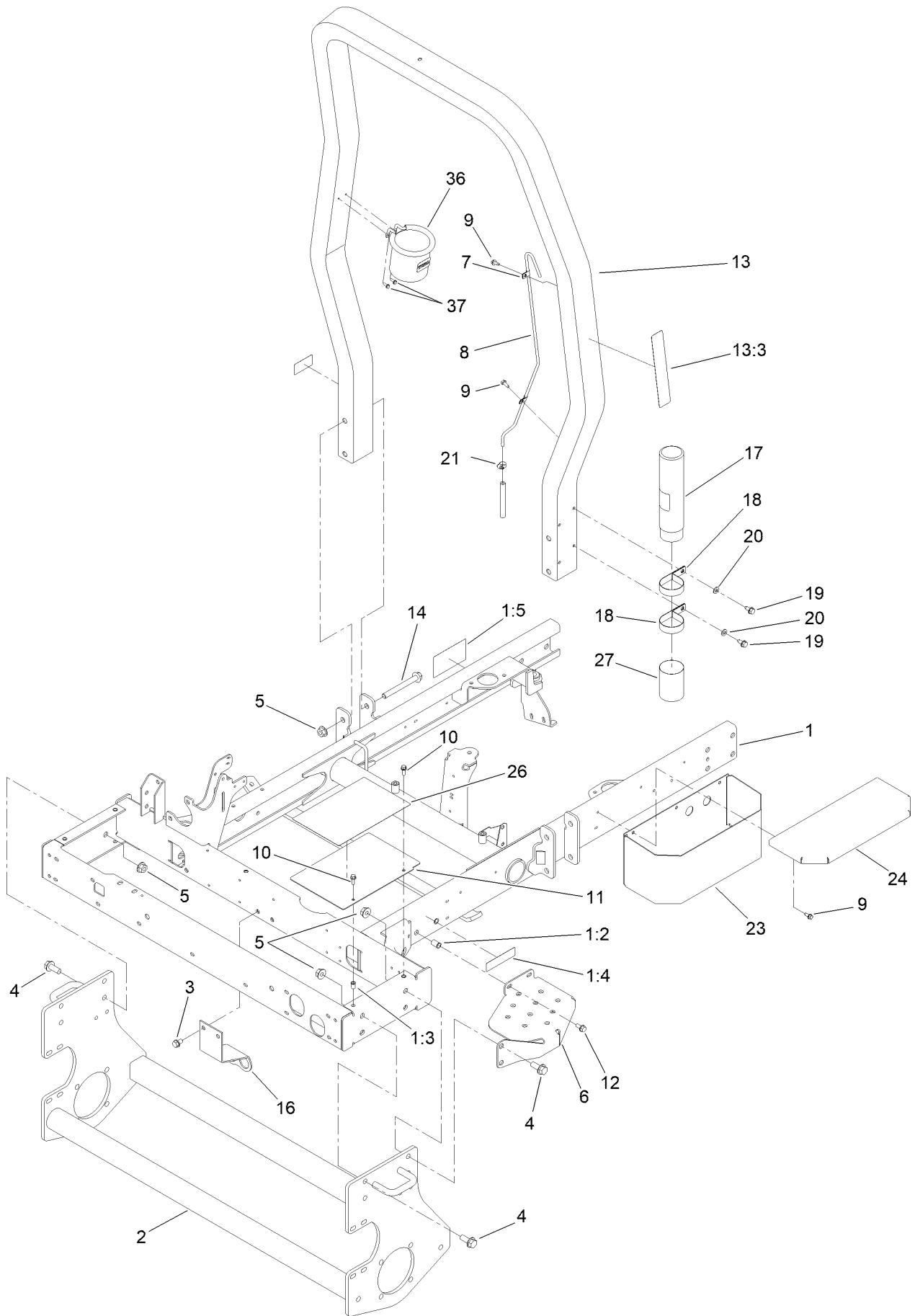
Contents

Frame and Roll-Over Protection System Assembly	6
Engine Assembly	8
Air Cleaner and Muffler Assembly	10
Air Cleaner Assembly No. 93-2190	12
Radiator and Oil Cooler Assembly	14
Rear Lift Arm and Carrier Frame Assembly	16
Hydraulic Cylinder Assembly No. 112-9916	18
Sidewinder Carrier Assembly	20
Carrier Support Assembly	22
Scissor Frame and Link Assembly	24
Hydraulic Motor and Foot Guard Assembly	26
Gear Motor Assembly No. 117-5141	28
Fuel System Assembly	30
Hydraulic Tank Assembly	32
Battery Assembly	34
Seat Assembly	36
Seat and Track Assembly No. 139-2679	38
Seat Assembly No. 139-2700	40
Control Panel Assembly	42
Wire Harness Assembly No. 122-1523	44
Parking Brake and Dash Cover Assembly	46
2-Spool Control Valve Assembly	48
2-Spool Control Valve Assembly No. 95-8581	50
Hydraulic Manifold Assembly No. 121-3570	52
Steering Column Assembly	54
Steering Valve Assembly No. 121-7856	56
Floorplate Assembly	58
Traction Pedal Assembly	60
Hood Assembly	62
Hood Assembly No. 121-3631	64
Wheel Motor and Brake Assembly	66
Hydraulic Motor Assembly No. 110-8785	68
Hydraulic Motor Assembly No. 110-8786	70
Brake Assembly No. 104-7705	72
Rear Fork and Tire Assembly	74
Hydraulic Cylinder Assembly No. 121-3653	76
Hydraulic Motor Assembly No. 95-8694	78
Neutral Arm Assembly	80
Gear Pump and Piston Pump Assembly	82
Hydraulic Pump Assembly No. 104-4890	84
Hydraulic Gear Pump Assembly No. 108-9036	86
Traction Hydraulic Assembly	88
Lift Hydraulic Assembly	90
Steering Hydraulic Assembly	92
Sidewinder Hydraulic Assembly	94
Hydraulic Mow Circuit Plumbing Assembly	96
Roller and Carrier Frame Assembly	98
Rear Roller Assembly No. 137-6141	100
Height-of-Cut Bracket Assembly	102
Chamber, Blade and Spindle Assembly	104
Spindle Assembly No. 121-3666	106
Crankcase Assembly	108
Oil Pan and Dipstick Assembly	109
Cylinder Head Assembly	110

Contents (continued)

Gear Case and Oil Filter Cartridge Assembly	111
Cylinder Head Cover Assembly	112
Main Bearing Case Assembly	113
Camshaft and Idle Gear Shaft Assembly	114
Piston and Crankshaft Assembly	115
Fuel Camshaft and Governor Shaft Assembly	116
Idle Apparatus and Stop Solenoid Assembly	117
Solenoid Assembly	118
Injection Pump Assembly	119
Governor Assembly	120
Speed Control Plate Assembly	121
Nozzle Holder and Glow Plug Assembly	122
Nozzle Holder Assembly	123
Alternator, Pulley and Fan Assembly	124
Alternator Components Assembly	125
Starter and Flywheel Assembly	126
Starter Component Assembly	127
Water Flange and Thermostat Assembly	128
Water Pump Assembly	129
Valve and Rocker Arm Assembly	130
Inlet and Exhaust Manifold Assembly	131
Miscellaneous Engine Parts	132
Attachments and Accessories	133

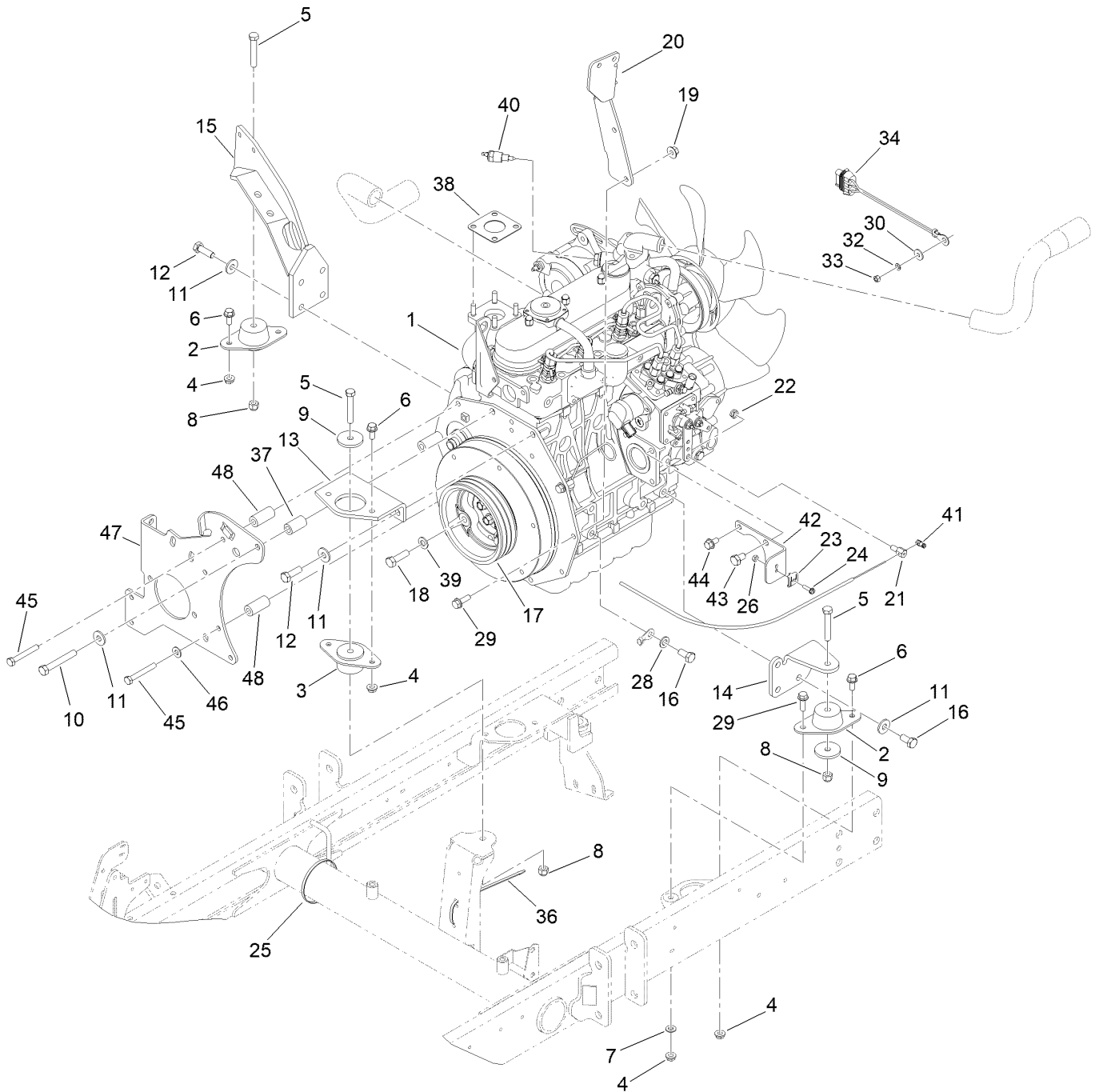
Frame and Roll-Over Protection System Assembly



Frame and Roll-Over Protection System Assembly (continued)

<i>Ref.</i>	<i>Part Number</i>	<i>Qty.</i>	<i>Description</i>	<i>Ref.</i>	<i>Part Number</i>	<i>Qty.</i>	<i>Description</i>
1	121-3635	1	Frame	13	127-8493	1	ROPS ASM
1:2	32148-8	2	Nut-Clinch	13:3	136-3702	1	Decal-Safety, ROPS
1:3	32148-6	4	Nut-Clinch	14	117-3176	4	Screw-HHF
1:4	133-8062	1	Decal-Spark Arrestor	16	115-3417-0P	1	Bracket-Bulkhead, Scissor
1:5	117-3270	1	Decal-Danger	17	104-7050	1	Tube-Manual
2	95-8568-03	1	Frame-Lower	18	2412-133	2	Clamp-R
3	32144-15	2	Screw-HHFTF	19	32144-70	2	Screw-HWHTF
4	3234-38	8	Screw-HHF	20	3256-23	2	Washer-Plain
5	32128-49	12	Nut-HHF	21	2412-108	1	Clamp-Worm
6	99-3375-03	1	Step	23	104-4634-03	1	Toolbox
7	2412-72	2	Clip-Closed, Insulated	24	104-4633-03	1	Cover-Toolbox
8	95-8615	1	Tube-Breather	26	121-3623	1	Decal-Danger
9	32144-10	5	Screw-HWH	27	104-7048	1	Cap-Housing
10	3234-4	2	Screw-HHF	36	117-2378	1	Holder-Bag
11	104-0468-01	1	Cover-Frame	37	32144-1	2	Screw-Taptite
12	3234-5	2	Screw-HHF				

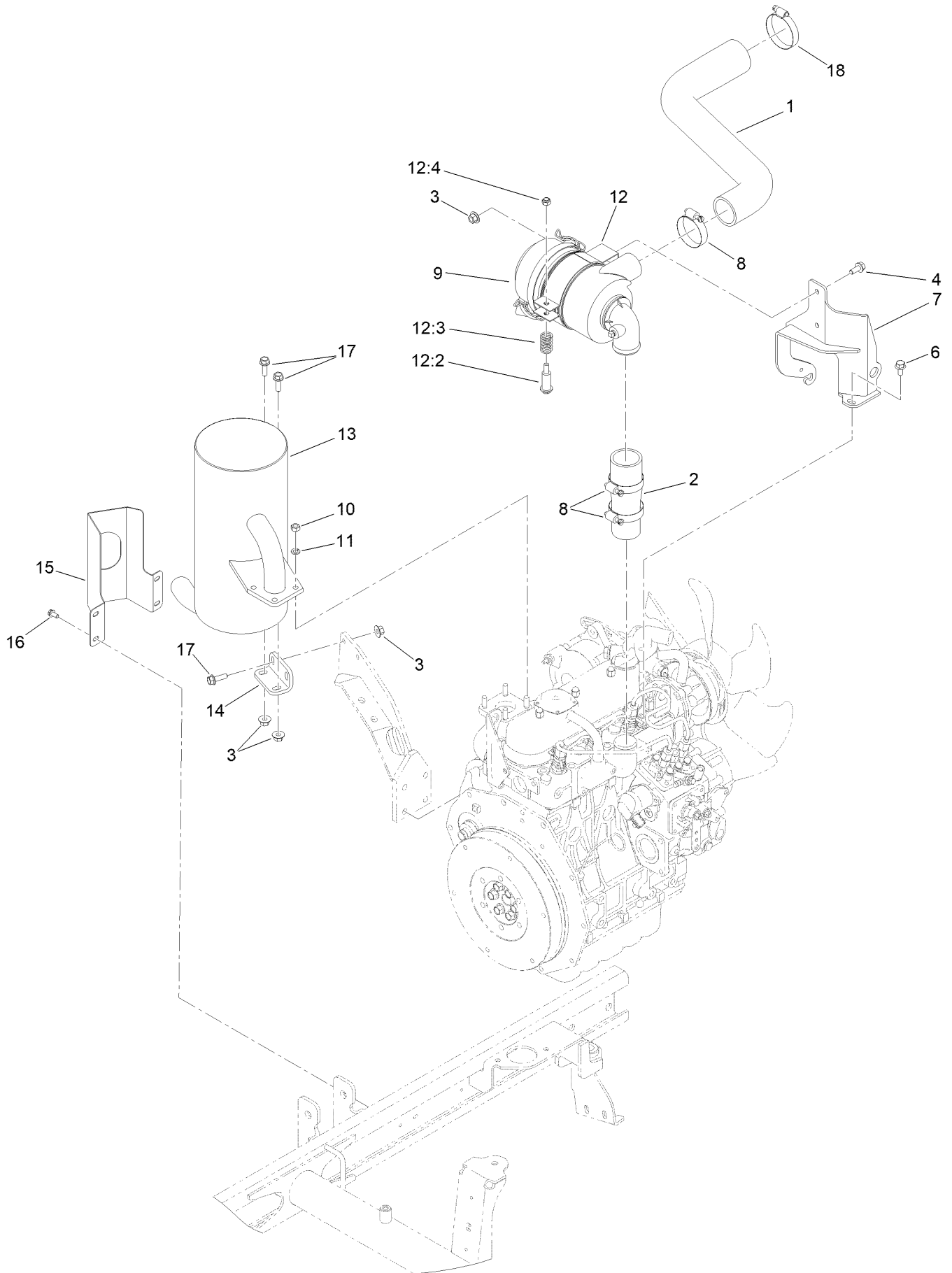
Engine Assembly



Engine Assembly (continued)

<i>Ref.</i>	<i>Part Number</i>	<i>Qty.</i>	<i>Description</i>	<i>Ref.</i>	<i>Part Number</i>	<i>Qty.</i>	<i>Description</i>
1	138-6908	1	Engine-Kubota, D1105	24	32105-13	1	Screw-HWH
2	121-9076	2	Mount-Engine	25	3290-379	2	Tie-Cable
3	93-5265	1	Mount-Engine	26	3296-2	1	Nut-Lock, NI
4	32128-20	6	Nut-HF	28	33095-00	1	Washer-Flat
5	323-11	3	Screw-HH	29	3234-17	3	Screw-HHF
6	3234-5	5	Screw-HHF	30	3256-78	1	Washer-Flat
7	120-9683	1	Washer-Plain	32	43-5930	1	Washer-Lock, Spring
8	3296-39	3	Nut-Lock, NI	33	48-7890	1	Nut-Hex
9	80-8560	3	Washer-Hardened	34	99-3441	1	Harness-Wire, Fusible Link
10	42-9370	1	Screw-HH	36	3290-378	14	Tie-Cable
11	80-6990	9	Washer-Hardened	37	95-8736	1	Spacer
12	95-8812	5	Screw-HH	38	98-9611	1	Gasket
13	99-3618-0P	1	Mount-Engine, Front	39	3256-24	3	Washer-Plain
14	95-8937-0P	1	Mount-Engine, LH	40	106-7772	1	Thermoswitch
15	100-4838-0P	1	Mount-Engine	41	112-9919	1	Stop-Cable, Throttle
16	63-7790	4	Screw-Cap	42	110-9009-0P	1	Bracket-Cable, Throttle
17	99-3626	1	Pulley-3V	43	70-8470	1	Screw-HH
18	56-2140	3	Screw-HH	44	33104-016	1	Screw-HHF
19	32128-44	2	Nut	45	33114-060	4	Screw-HH
20	115-3487-0P	1	Bracket-Mount, Fuel Filter	46	87-8640	3	Washer-Flat
21	98-9311	1	Swivel-Throttle	47	120-3375-0P	1	Plate-Mount, Pump
22	3296-20	1	Nut-Lock, NI	48	95-8941	4	Spacer-Mount, Pump
23	81-1690	1	Clamp-Cable				

Air Cleaner and Muffler Assembly



Air Cleaner and Muffler Assembly (continued)

<i>Ref.</i>	<i>Part Number</i>	<i>Qty.</i>	<i>Description</i>	<i>Ref.</i>	<i>Part Number</i>	<i>Qty.</i>	<i>Description</i>
1	120-3354	1	Hose-Air Inlet, Upper	12:2	94-3653	1	Bolt
2	95-8947	1	Hose-Air Inlet, Lower	12:3	94-3654	1	Spring
3	32128-44	6	Nut	12:4	48-9510	1	*obs* Nut
4	3234-5	2	Screw-HHF	13	139-6013	1	Muffler
6	33104-016	3	Screw-HHF	14	95-8943-0P	1	Bracket-Muffler
7	136-3154-0P	1	Bracket-Cleaner, Air	15	99-3425-03	1	Guard-Exhaust
8	2412-92	3	Clamp-Hose	16	32144-4	4	Screw-HWH
9	93-2190	1	Air Cleaner ASM	17	3234-17	4	Screw-HHF
10	33014-00	4	Nut-Hex	18	2412-130	1	Clamp-Hose
11	3253-4	4	Washer-Lock				
12	93-2191	1	Air Cleaner Mounting Band ASM				

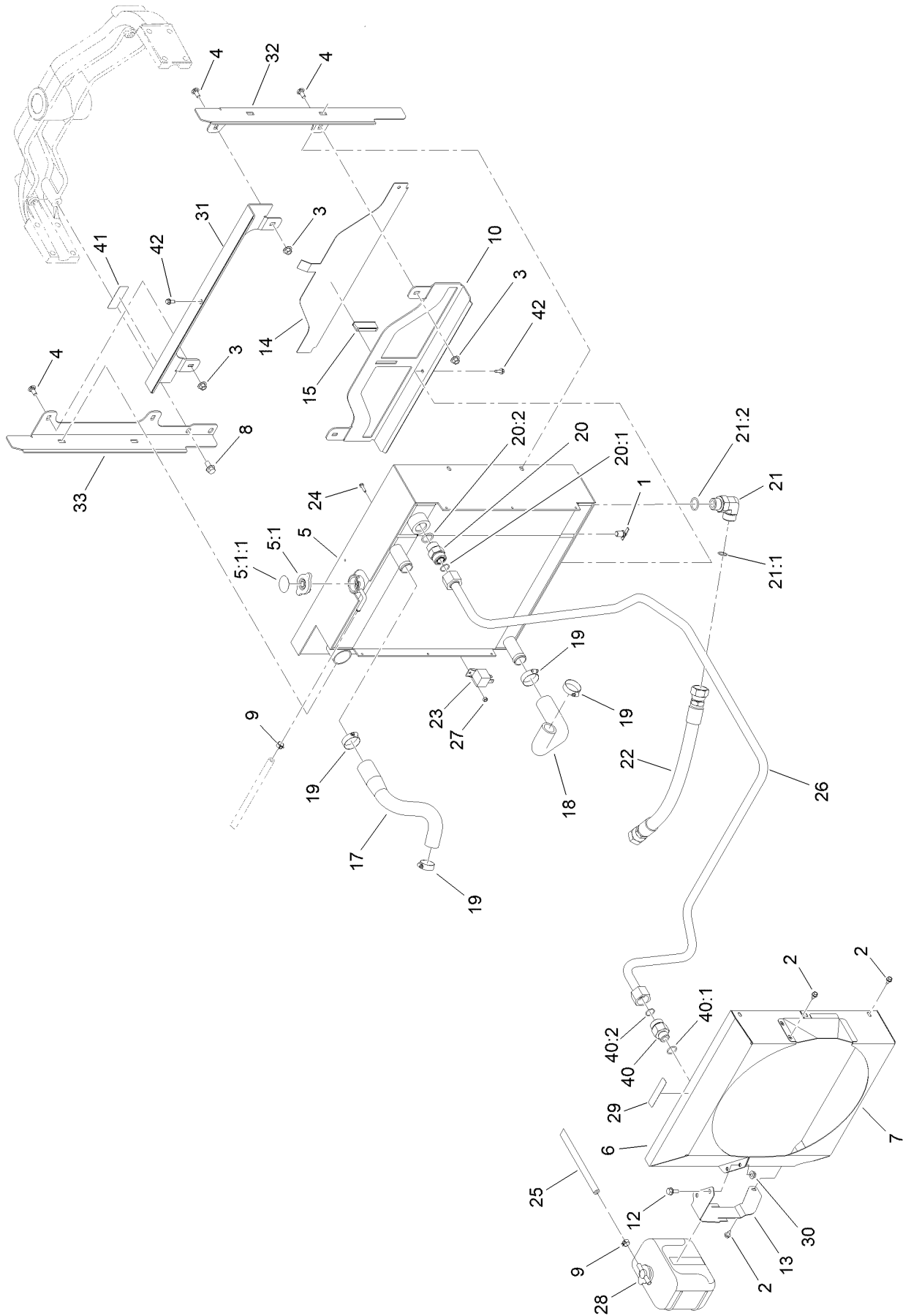
Air Cleaner Assembly No. 93-2190



Air Cleaner Assembly No. 93-2190 (continued)

<i>Ref.</i>	<i>Part Number</i>	<i>Qty.</i>	<i>Description</i>	<i>Ref.</i>	<i>Part Number</i>	<i>Qty.</i>	<i>Description</i>
2	108-3811	1	Filter-Air V-Twin HD	4	87-9400	1	Valve-Vacuator
3	94-3652	1	Cover ASM	5	285-17	1	Plug-Pipe
3:1	1-643283	2	Latch-Cleaner, Air				

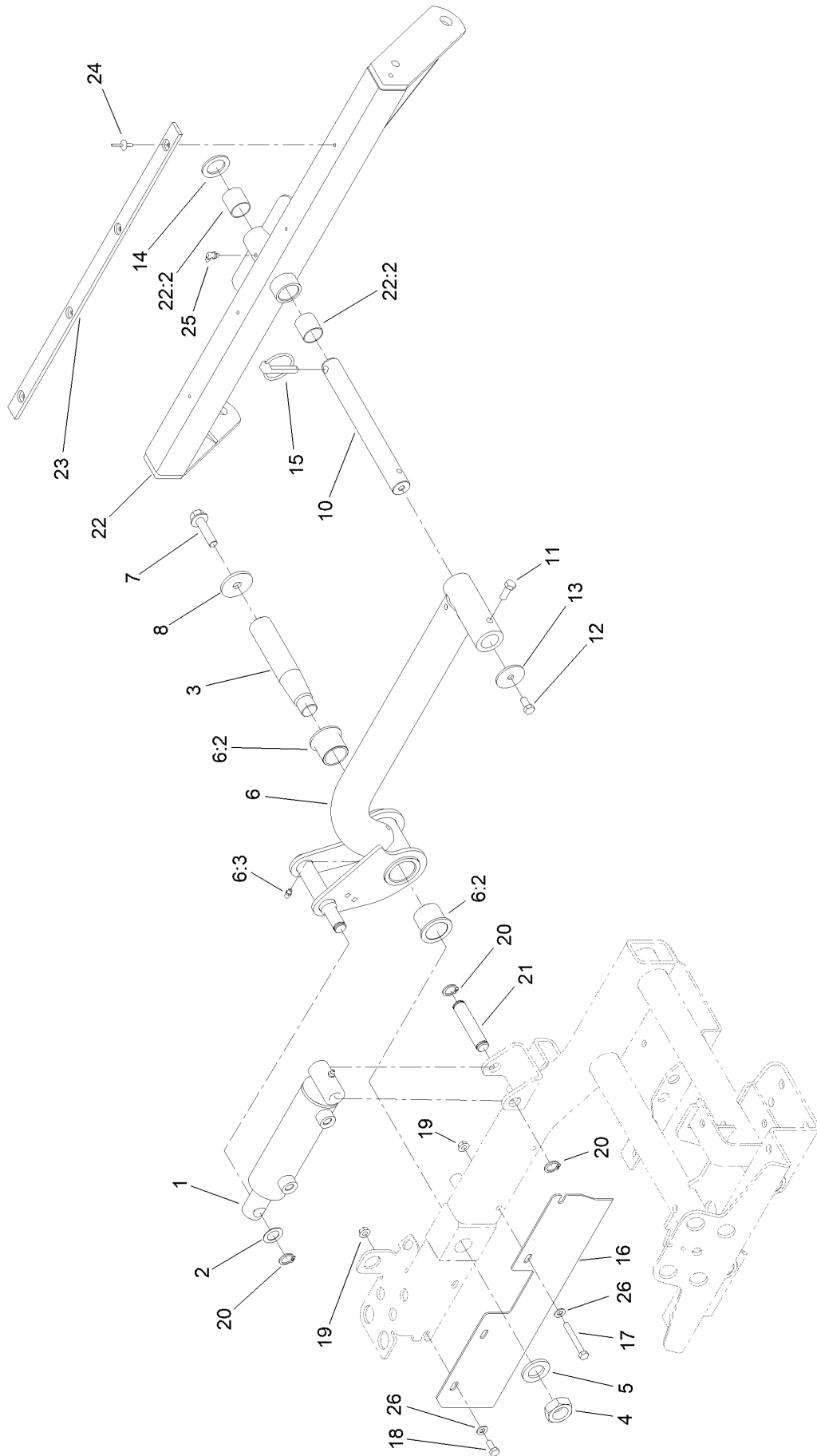
Radiator and Oil Cooler Assembly



Radiator and Oil Cooler Assembly (continued)

<i>Ref.</i>	<i>Part Number</i>	<i>Qty.</i>	<i>Description</i>	<i>Ref.</i>	<i>Part Number</i>	<i>Qty.</i>	<i>Description</i>
1	304-46	1	Draincock	20:2	237-81	1	O-Ring
2	32104-116	8	Screw-HWHTF	21	340-142	1	Fitting-Elbow, 90 DEG
3	32128-44	8	Nut	21:1	237-58	1	O-Ring
4	3230-1	8	Bolt-CARR	21:2	237-81	1	O-Ring
5	119-2028	1	Radiator And Oil Cooler ASM	22	92-7536	1	Hose-HYD
5:1	115-7766	1	Cap-Radiator	23	99-7435	1	Relay
5:1:1	106-6755	1	Decal-Cap, Radiator	24	32105-13	1	Screw-HWH
6	121-3556-0P	1	Shroud-Fan, Upper	25	109-0274	1	Hose-Fuel
7	121-3552-0P	1	Shroud-Fan, Lower	26	121-3609	1	Tube-HYD
8	3234-1	4	Screw-HHF	27	3296-2	1	Nut-Lock, NI
9	92-2379	2	Clamp-Hose	28	104-9318	1	Bottle-Overflow
10	120-3530-0P	1	Bracket-Radiator, Bottom	29	93-6681	1	Decal-Warning, Fan
12	3234-5	2	Screw-HHF	30	32128-20	2	Nut-HF
13	121-3557-0P	1	Bracket-Reservoir	31	120-3529-0P	1	Bracket-Radiator, Top
14	95-8702-0P	1	Shield-Radiator, Lower	32	120-3531-0P	1	Bracket-Radiator, LH
15	99-3497	1	Magnet	33	120-3532-0P	1	Bracket-Radiator, RH
17	121-3558	1	Hose-Radiator, Upper	40	340-66	1	Fitting-Straight
18	120-3399	1	Hose-Radiator, Lower	40:1	237-80	1	O-Ring
19	2412-34	4	Clamp-Hose	40:2	237-58	1	O-Ring
20	340-9	1	Fitting-STR	41	125-6688	1	Decal-Danger, Starter Fluid
20:1	237-58	1	O-Ring	42	32144-10	2	Screw-HWH

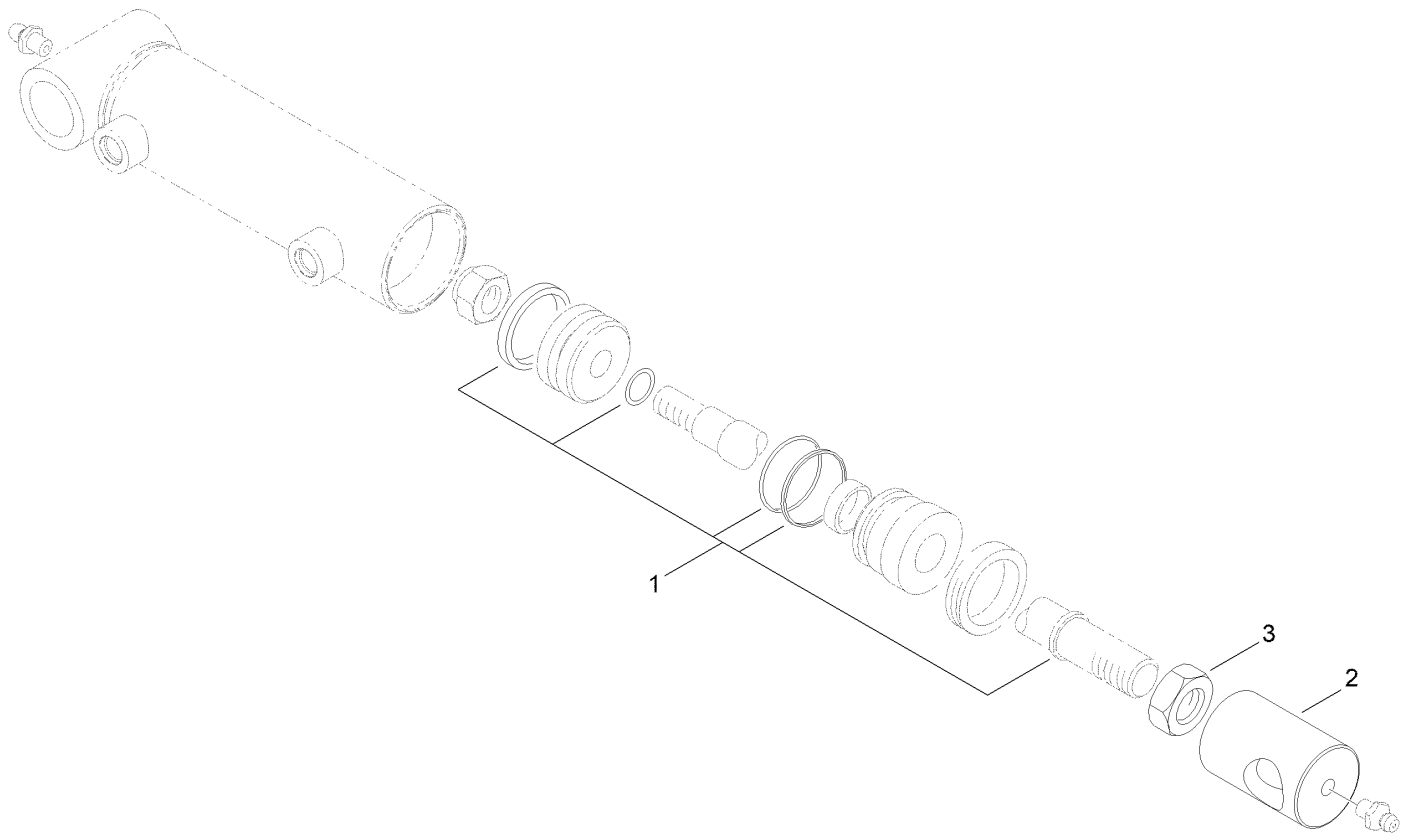
Rear Lift Arm and Carrier Frame Assembly



Rear Lift Arm and Carrier Frame Assembly (continued)

<i>Ref.</i>	<i>Part Number</i>	<i>Qty.</i>	<i>Description</i>	<i>Ref.</i>	<i>Part Number</i>	<i>Qty.</i>	<i>Description</i>
1	112-9916	1	HYD Cylinder ASM	14	3-6781	1	Washer-Flat
2	3-6498	1	Washer-Thrust	15	283-71	1	Pin-Lynch
3	95-8990	1	Shaft-Pivot, Rear	16	121-3616-03	1	Guard
4	3220-9	1	Nut-Jam	17	322-12	2	Screw-HH
5	86-1480	1	Washer	18	322-3	2	Screw-HH
6	136-3415	1	Rear Liftarm ASM	19	32128-20	4	Nut-HF
6:2	69-6470	2	Bushing-Caster	20	32120-93	3	Ring-Retaining
6:3	302-5	1	Fitting-Grease	21	95-8575	1	Pin-Clevis
7	3234-27	1	Screw-HHF	22	104-4229	1	Rear Carrier Frame ASM
8	75-7730	1	Washer-Thrust	22:2	108-4000	2	Bushing
10	100-4944	1	Shaft-Pivot, Cutting Unit	23	95-8936	1	Strip-Wear
11	323-6	1	Screw-HH	24	3269-18	4	Rivet-Blind
12	323-4	1	Screw-HH	25	302-60	1	Fitting-Grease
13	63-7400	1	Washer-Rebound	26	3256-23	4	Washer-Plain

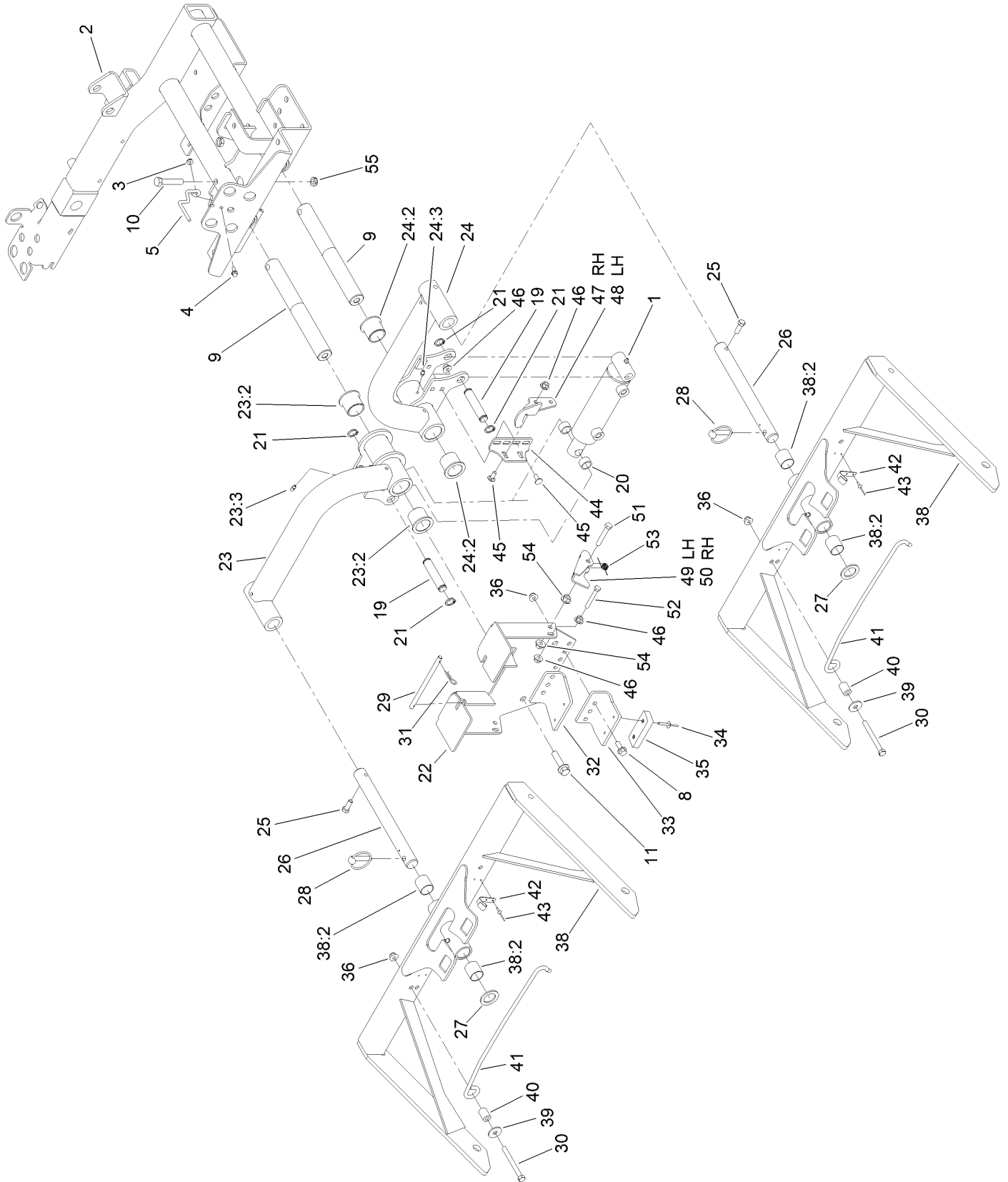
Hydraulic Cylinder Assembly No. 112-9916



Hydraulic Cylinder Assembly No. 112-9916 (continued)

<i>Ref.</i>	<i>Part Number</i>	<i>Qty.</i>	<i>Description</i>
1	115-3410	1	Seal Kit
2	108-9035	1	Clevis
3	3220-7	1	Nut-Jam

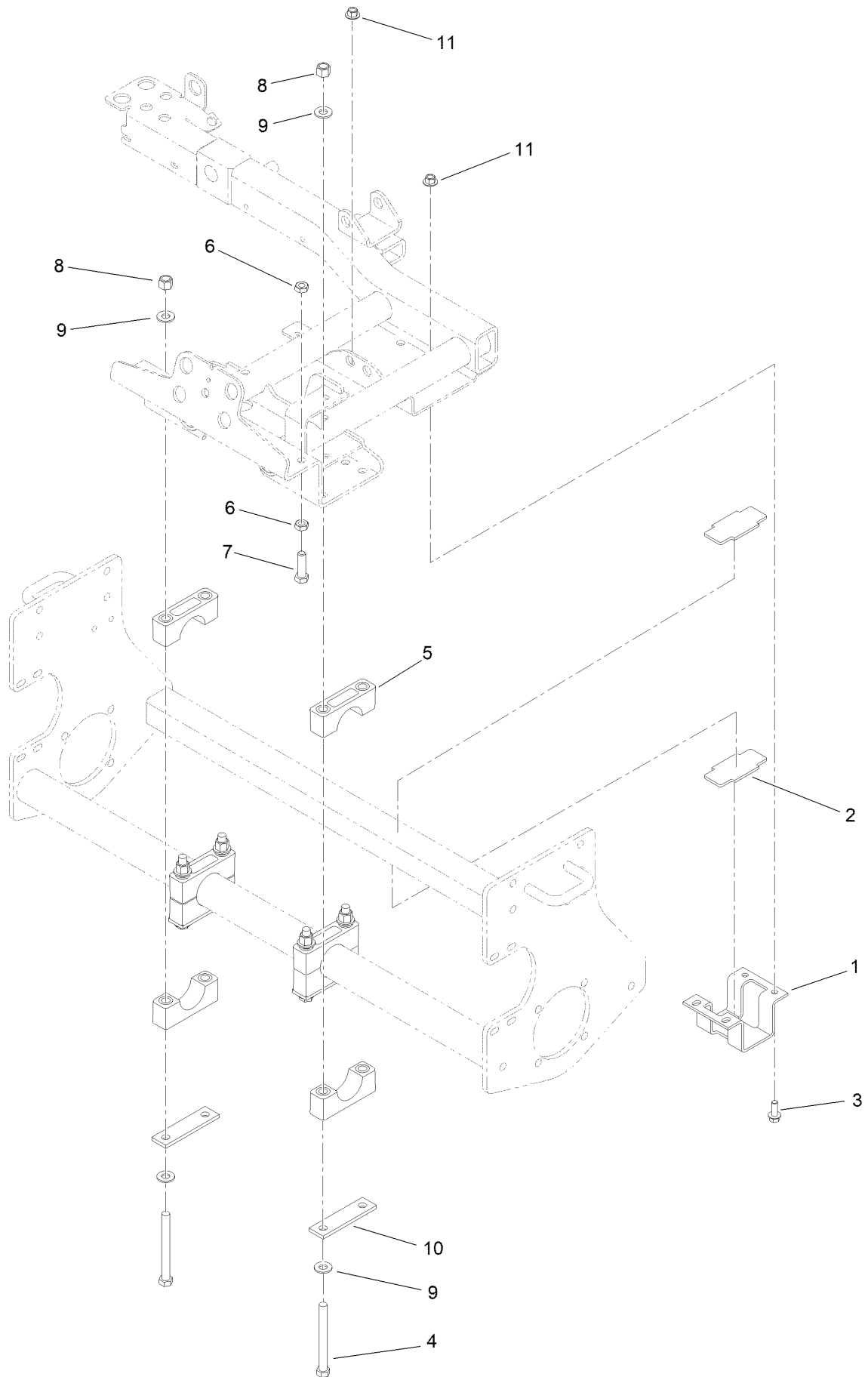
Sidewinder Carrier Assembly



Sidewinder Carrier Assembly (continued)

<i>Ref.</i>	<i>Part Number</i>	<i>Qty.</i>	<i>Description</i>	<i>Ref.</i>	<i>Part Number</i>	<i>Qty.</i>	<i>Description</i>
1	112-9916	1	HYD Cylinder ASM	31	3290-467	2	Pin-Hair
2	100-4939-03	1	Carrier-Sidewinder	32	110-8793-03	1	Stop-Deck, RH
3	32128-33	1	Nut-HF	33	110-8794-03	1	Stop-Deck, LH
4	3234-4	1	Screw-HHF	34	3269-11	4	Rivet-Pop
5	99-3433	1	Wire-Center	35	86-5350	2	Bumper-Rubber
8	3234-11	4	Screw-HHF	36	104-8301	6	Nut-HF, NI
9	95-8531	2	Shaft-Pivot, Liftarm	38	110-8787	2	Front Carrier Frame ASM
10	325-10	2	Screw-HH	38:2	108-4000	2	Bushing
11	3234-27	2	Screw-HHF	39	93-8806	2	Washer-Hardened
19	95-8575	2	Pin-Clevis	40	104-4613	2	Tube-Latch
20	75-9590	2	Spacer-Cylinder	41	104-4612	2	Rod-Latch
21	32120-93	4	Ring-Retaining	42	104-4237	2	Clip-Rod
22	104-4820-03	1	Bracket-Stop, Carrier	43	3290-271	4	Rivet-Pop
23	136-3419	1	RH Liftarm ASM	44	104-4828-03	2	Bracket-Actuator
23:2	69-6470	2	Bushing-Caster	45	3230-23	8	Bolt-CARR
23:3	302-5	1	Fitting-Grease	46	32128-44	12	Nut
24	136-3417	1	LH Liftarm ASM	47	104-4826-03	1	Actuator-RH
24:2	69-6470	2	Bushing-Caster	48	104-4827-03	1	Actuator-LH
24:3	302-5	1	Fitting-Grease	49	104-4819-03	1	Bracket-Pivot, LH
25	323-6	2	Screw-HH	50	104-4825-03	1	Bracket-Pivot, RH
26	105-7560	2	Shaft-Cu Pivot	51	323-12	2	Screw-HH
27	3-6781	2	Washer-Flat	52	322-12	2	Screw-HH
28	283-71	2	Pin-Lynch	53	104-4821	2	Spring-Torsion
29	104-0472	1	Rod	54	32128-43	4	Nut-Flange
30	323-42	2	Screw-HH	55	3296-45	2	Nut-Hex

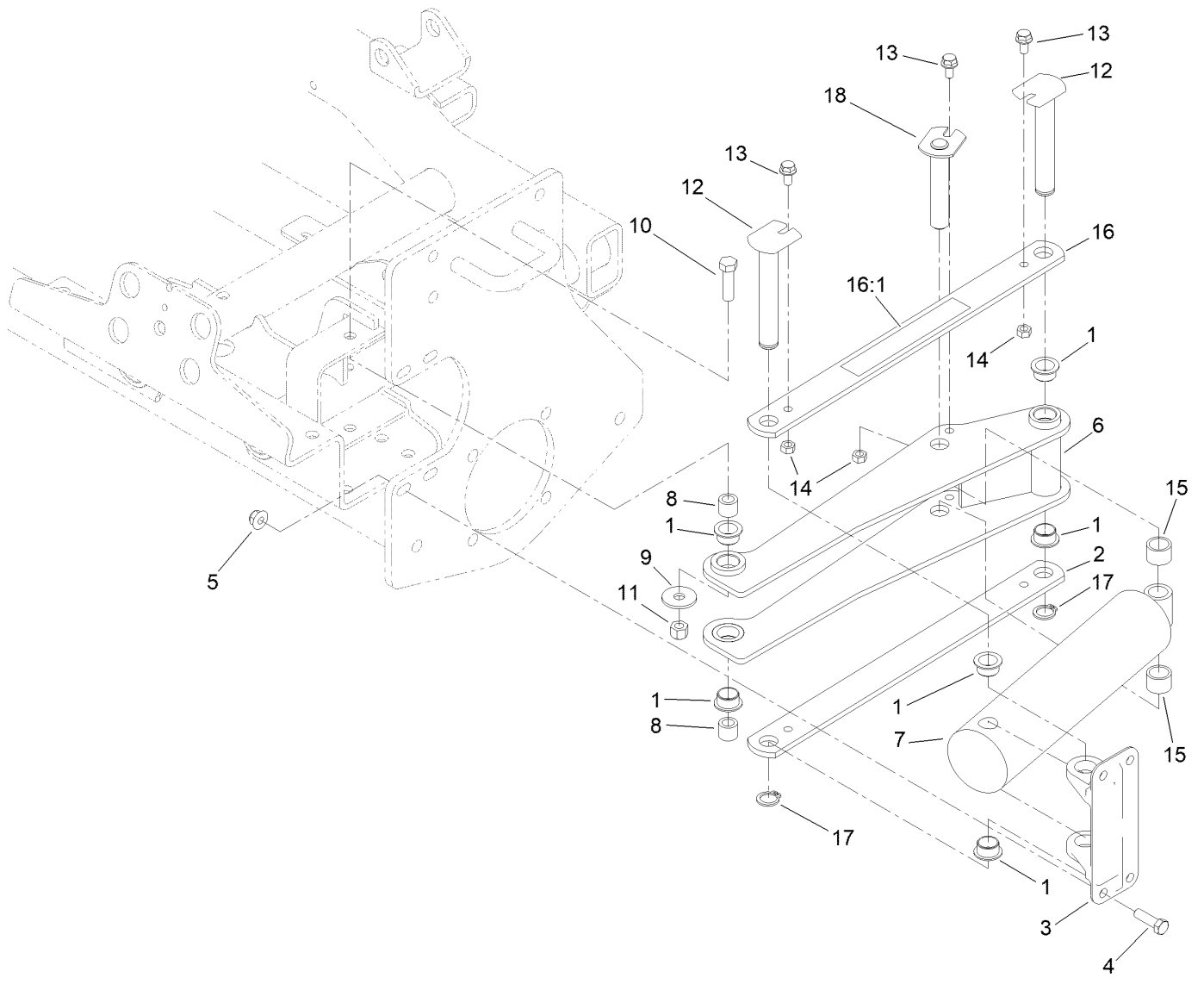
Carrier Support Assembly



Carrier Support Assembly (continued)

<i>Ref.</i>	<i>Part Number</i>	<i>Qty.</i>	<i>Description</i>	<i>Ref.</i>	<i>Part Number</i>	<i>Qty.</i>	<i>Description</i>
1	104-0416-0P	1	Bracket-Slide	7	325-7	2	Screw-HH
2	104-0417	2	Slide-Plastic	8	3296-23	8	Nut-Lock, NI
3	3234-11	4	Screw-HHF	9	87-7270	16	Washer-Thrust
4	325-19	8	Screw-HH	10	99-3373	4	Bar-Support, Slide
5	104-4865	8	Cap-Bearing	11	32128-43	4	Nut-Flange
6	3218-5	4	Nut-Jam				

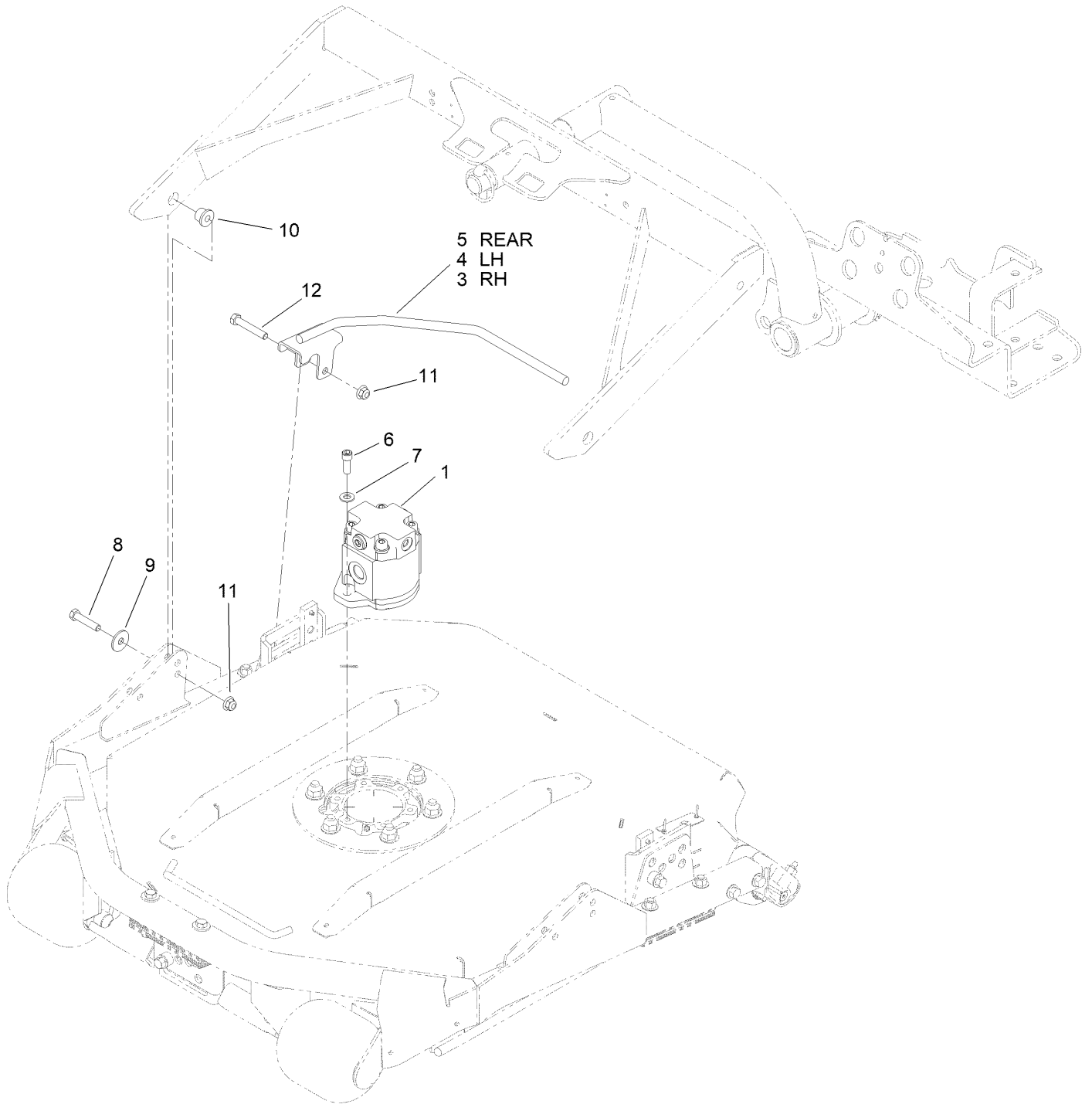
Scissor Frame and Link Assembly



Scissor Frame and Link Assembly (continued)

<i>Ref.</i>	<i>Part Number</i>	<i>Qty.</i>	<i>Description</i>	<i>Ref.</i>	<i>Part Number</i>	<i>Qty.</i>	<i>Description</i>
1	95-8526	6	Bushing-Plastic	11	3296-48	2	Nut-Hex
2	95-8527-0P	1	Link-Scissor	12	125-1914	2	Pin-Pivot
3	95-8883	1	Mount-Scissor	13	3234-14	3	Screw-HHF
4	323-7	4	Screw-HH	14	32152-1	3	Nut-Lock, Cone
5	104-8301	4	Nut-HF, NI	15	46-6350	2	Spacer
6	95-8521-03	1	Frame-Scissor	16	99-3505	1	Scissors Link ASM
7	121-3654	1	Cylinder-HYD	16:1	94-3353	1	Decal-Pinch Point, Intl
8	95-8603	2	Spacer	17	32120-93	2	Ring-Retaining
9	87-5330	2	Washer	18	140-5248	1	Pin-Ram, Pivot
10	324-6	2	Screw-HH				

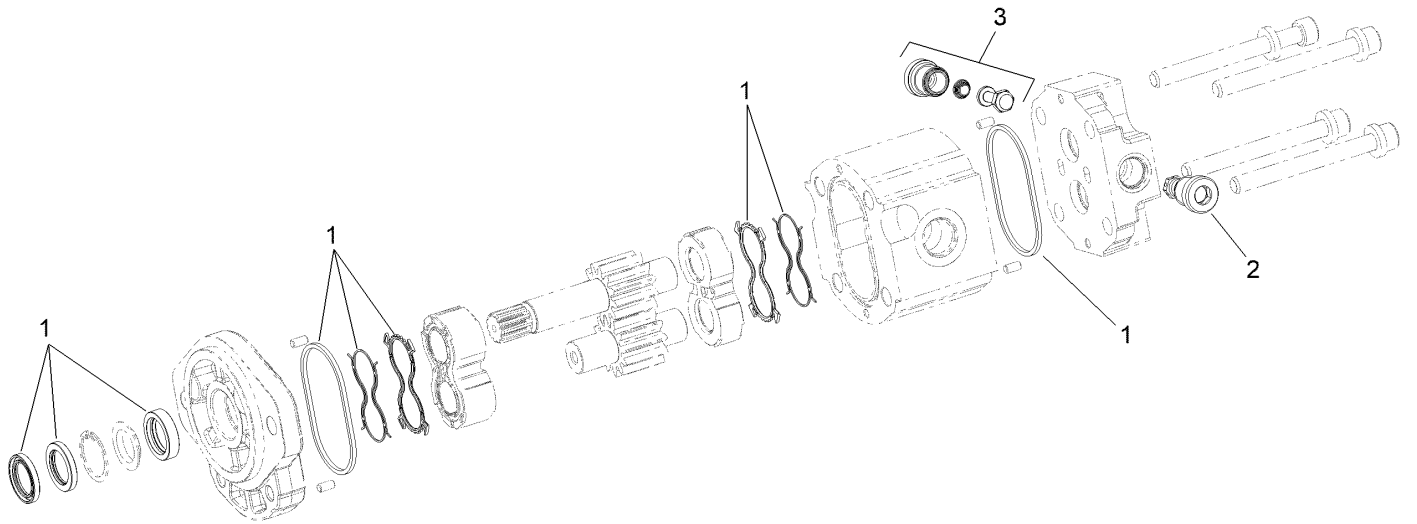
Hydraulic Motor and Foot Guard Assembly



Hydraulic Motor and Foot Guard Assembly (continued)

<i>Ref.</i>	<i>Part Number</i>	<i>Qty.</i>	<i>Description</i>	<i>Ref.</i>	<i>Part Number</i>	<i>Qty.</i>	<i>Description</i>
1	117-5141	3	HYD Motor ASM	8	323-52	6	Screw-HH
3	112-9901-03	1	Guard-Foot, RH	9	93-8806	6	Washer-Hardened
4	112-9902-03	1	Guard-Foot, LH	10	95-8803	6	Bushing-Flange
5	112-9900-03	1	Guard-Foot	11	104-8301	10	Nut-HF, NI
6	3274-7	6	Screw-HSH	12	323-11	4	Screw-HH
7	3256-24	6	Washer-Plain				

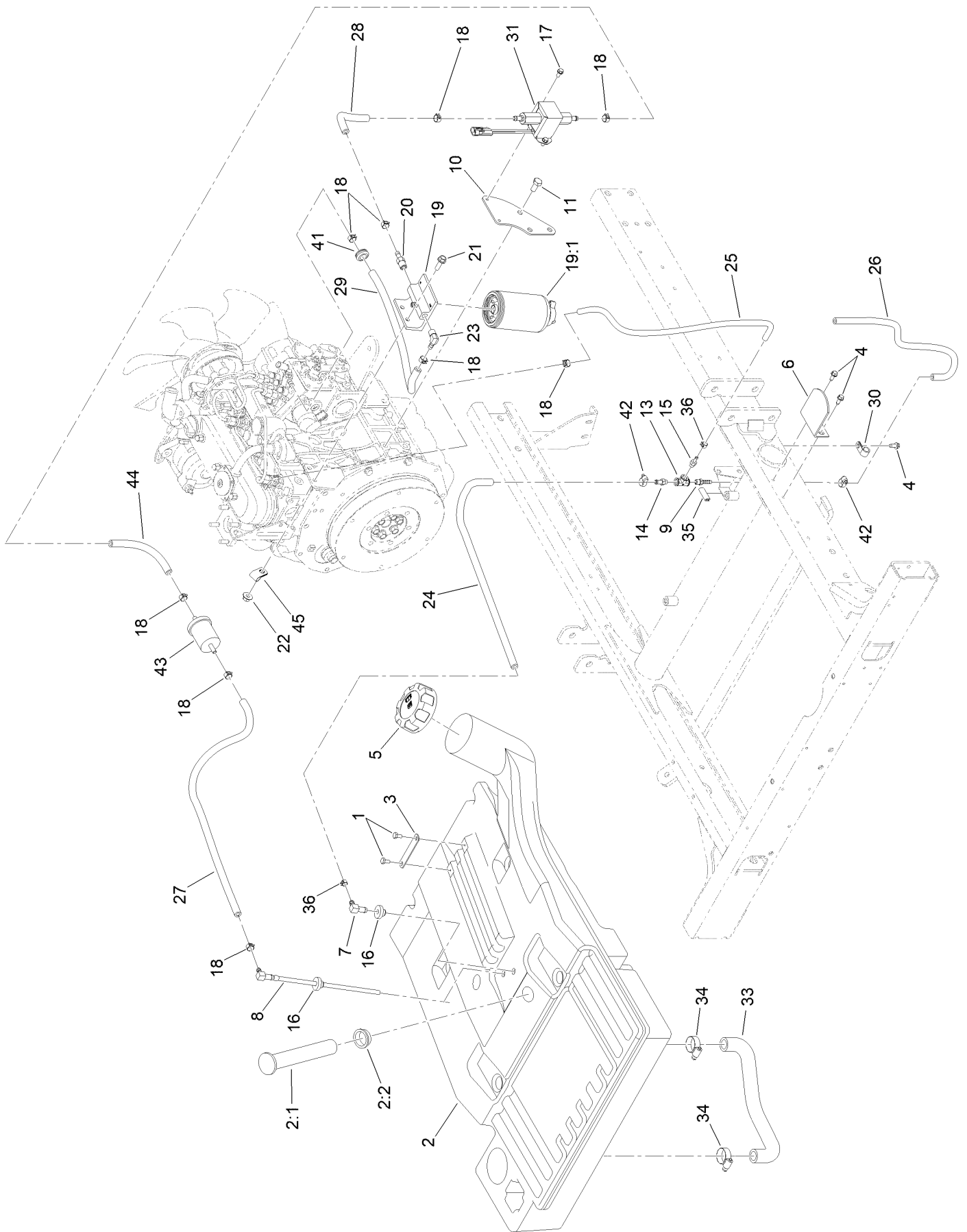
Gear Motor Assembly No. 117-5141



Gear Motor Assembly No. 117-5141 (continued)

<i>Ref.</i>	<i>Part Number</i>	<i>Qty.</i>	<i>Description</i>
1	117-0235	1	Seal Kit
2	107-7820	1	Valve-Relief
3	107-7821	1	Valve-Anticavitation

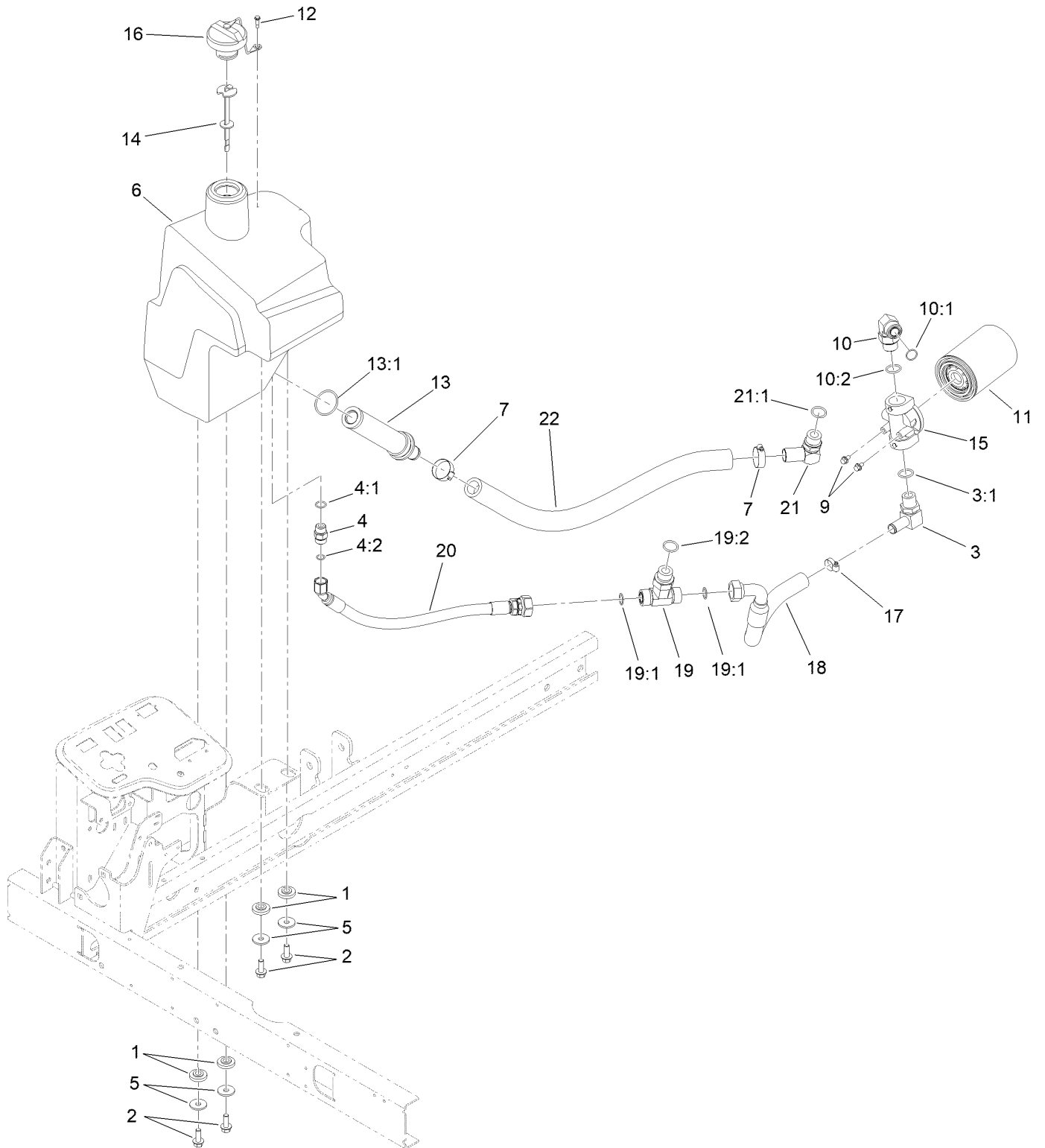
Fuel System Assembly



Fuel System Assembly (continued)

<i>Ref.</i>	<i>Part Number</i>	<i>Qty.</i>	<i>Description</i>	<i>Ref.</i>	<i>Part Number</i>	<i>Qty.</i>	<i>Description</i>
1	321-2	2	Screw-HH	20	353-783	1	Fitting-STR
2	105-7865	1	Tank-Fuel	21	3234-17	2	Screw-HHF
2:1	95-8971	1	Gauge-Fuel	22	32128-44	2	Nut
2:2	95-8972	1	Grommet	23	353-781	1	Fitting-HYD, 90
3	95-8881	1	Strap-Line, Fuel	24	110-6187	1	Hose-Fuel
4	32144-10	3	Screw-HWH	25	110-8751	1	Hose-Fuel
5	114-5064	1	Cap-Diesel	26	110-5701	1	Hose-Fuel
6	95-8968-03	1	Support-Tank, Fuel	27	110-3257	1	Hose-Fuel
7	46-6550	1	Fitting-Elbow, 90 DEG	28	109-0310	1	Hose-Fuel
8	110-9689	1	Pipe-Stand	29	121-7852	1	Hose-Fuel
9	304-73	1	Fitting-Straight	30	2412-73	1	Clamp-R
10	136-3818-0P	1	Plate-Fuel Pump	31	145-3160	1	Pump-Fuel, Electric
11	63-7790	3	Screw-Cap	33	105-4094	1	Hose-Formed
13	354-20	1	Fitting-Tee	34	2412-129	2	Clamp-Hose
14	354-21	1	Fitting-Barbed	35	110-8754	1	Trim
15	354-22	1	Fitting-Barbed	36	2412-80	2	Clamp-Hose
16	46-6560	2	Bushing	41	1-543296	1	Grommet
17	32144-4	2	Screw-HWH	42	2412-108	2	Clamp-Worm
18	92-2379	9	Clamp-Hose	43	98-7612	1	Filter-Fuel
19	110-9044	1	Separator-Filter	44	108-3280	1	Hose-Fuel
19:1	110-9049	1	Filter-Spin On, Fuel/Water	45	2412-10	1	Clamp-R

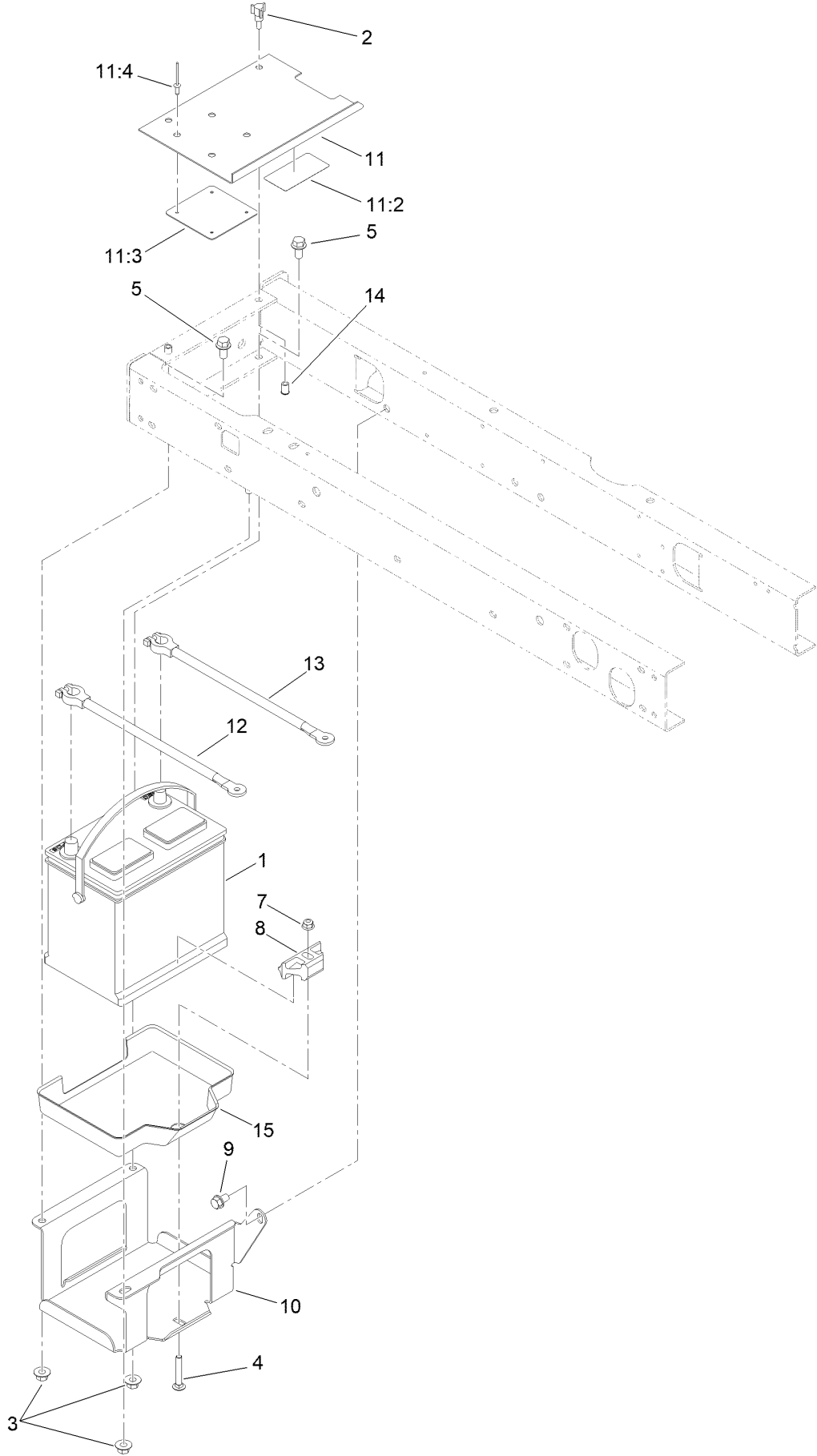
Hydraulic Tank Assembly



Hydraulic Tank Assembly (continued)

<i>Ref.</i>	<i>Part Number</i>	<i>Qty.</i>	<i>Description</i>	<i>Ref.</i>	<i>Part Number</i>	<i>Qty.</i>	<i>Description</i>
1	240-11	4	Bushing-Flange	12	57-5420	1	Screw-Shoulder
2	3234-11	4	Screw-HHF	13	104-7546	1	Tank Strainer ASM
3	353-987	1	Fitting-Elbow, 90	13:1	340-136	1	O-Ring
3:1	237-81	1	O-Ring	14	119-6968	1	Dipstick-Oil
4	100-4890	1	Fitting-Check	15	92-5821	1	Head-Filter
4:1	237-79	1	O-Ring	16	93-7160	1	Cap-Oil, HYD
4:2	237-30	1	O-Ring	17	2412-36	1	Clamp-Hose
5	63-8410	4	Washer	18	104-0486	1	Hose-HYD
6	104-4840	1	Tank-HYD	19	104-4836	1	Fitting-Tee
7	2412-34	2	Clamp-Hose	19:1	237-58	2	O-Ring
9	3234-13	2	Screw-HHF	19:2	237-81	1	O-Ring
10	340-142	1	Fitting-Elbow, 90 DEG	20	104-0487	1	Hose-HYD
10:1	237-58	1	O-Ring	21	95-3502	1	Fitting-Elbow 90
10:2	237-81	1	O-Ring	21:1	237-81	1	O-Ring
11	86-3010	1	Filter-Oil	22	104-5486	1	Hose

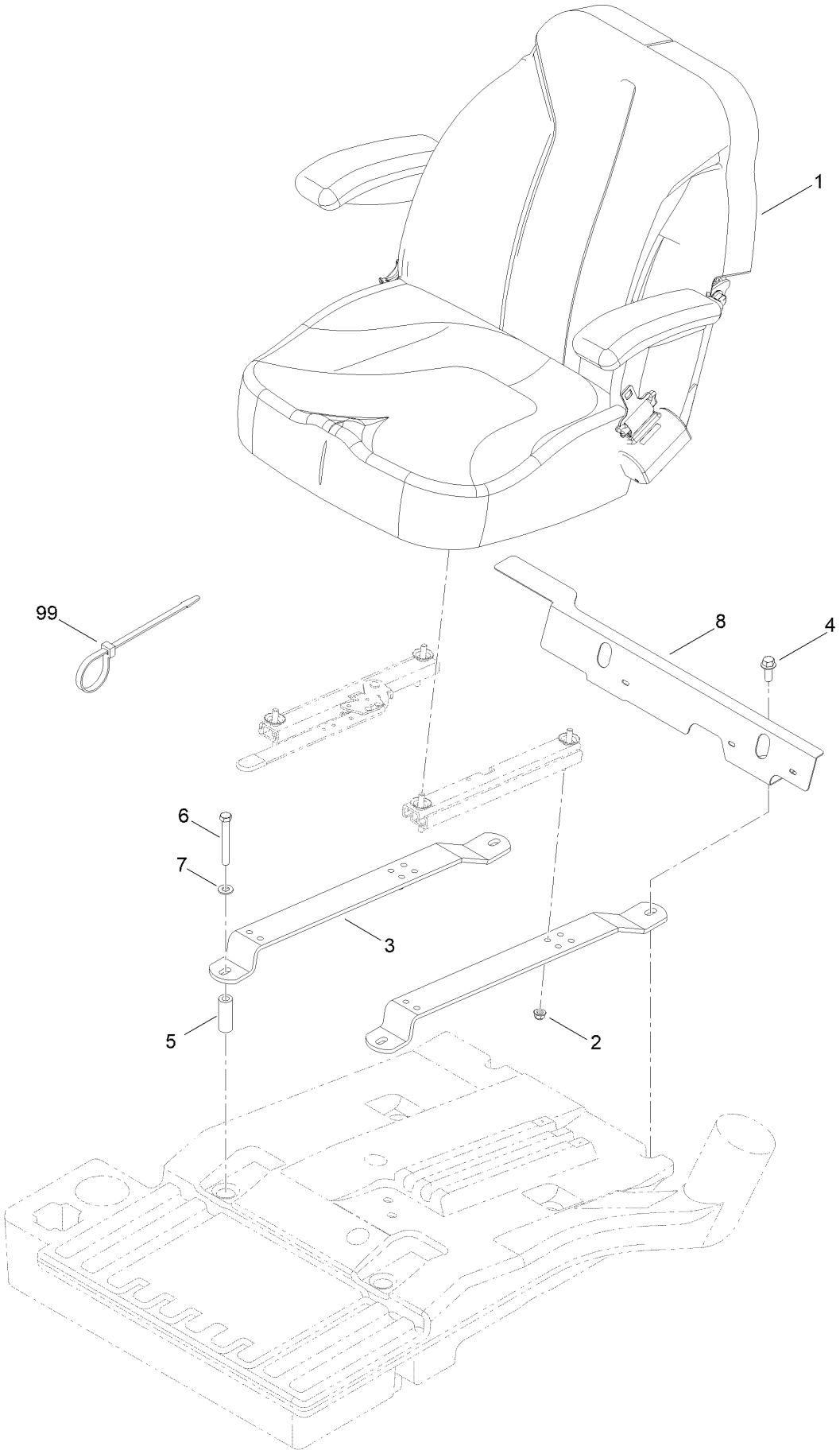
Battery Assembly



Battery Assembly (continued)

<i>Ref.</i>	<i>Part Number</i>	<i>Qty.</i>	<i>Description</i>	<i>Ref.</i>	<i>Part Number</i>	<i>Qty.</i>	<i>Description</i>
1	104-0496	1	Battery- Wet, 12V, 540 CCA	11	99-3602	1	Battery Cover ASM
2	233-70	2	Knob-Star, Three	11:2	93-7276	1	Decal-Danger
3	32128-43	3	Nut-Flange	11:3	87-7620	1	Shield-Terminal, Battery
4	3230-6	1	Bolt-CARR	11:4	3269-27	4	Rivet-Snap
5	3234-1	3	Screw-HHF	12	95-8853	1	Cable-Battery, Positive
7	104-8300	1	Nut-HF, NI	13	95-8854	1	Cable-Battery, Negative
8	138-6335	1	Retainer-Battery	14	32148-6	2	Nut-Clinch
9	32144-15	1	Screw-HHFTF	15	99-3513	1	Tray-Battery
10	95-8796-03	1	Support-Battery				

Seat Assembly

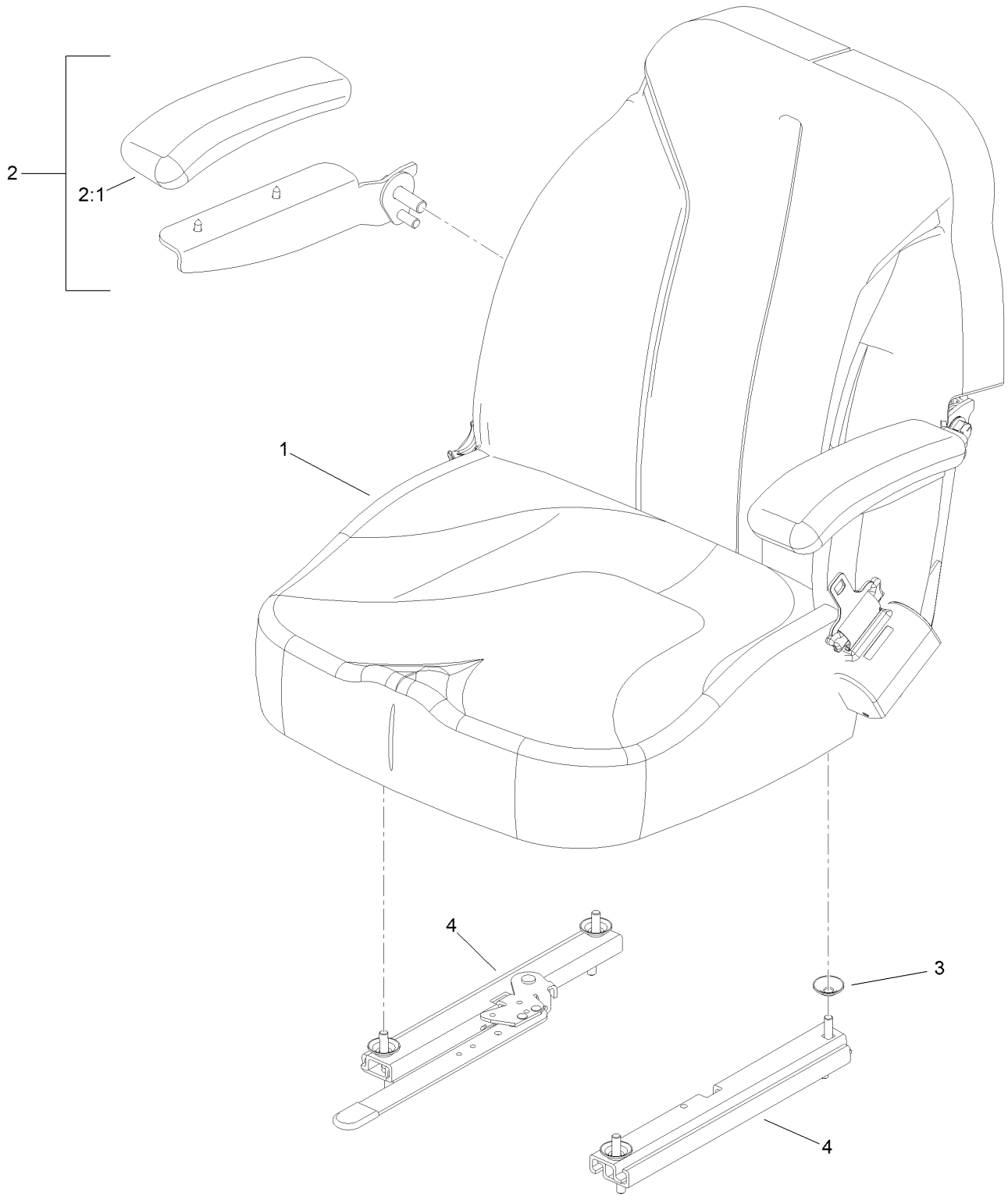


Seat Assembly (continued)

<i>Ref.</i>	<i>Part Number</i>	<i>Qty.</i>	<i>Description</i>	<i>Ref.</i>	<i>Part Number</i>	<i>Qty.</i>	<i>Description</i>
1	139-2679	1	Seat And Track ASM	6	323-14	2	Screw-HH
2	104-8300	4	Nut-HF, NI	7	3256-24	2	Washer-Plain
3	121-3655-03	2	Strap-Support, Seat	8	121-3644-03	1	Shield-Heat
4	3234-11	2	Screw-HHF	99	3290-378	1	Tie-Cable ●
5	104-0466	2	Spacer				

● Not illustrated

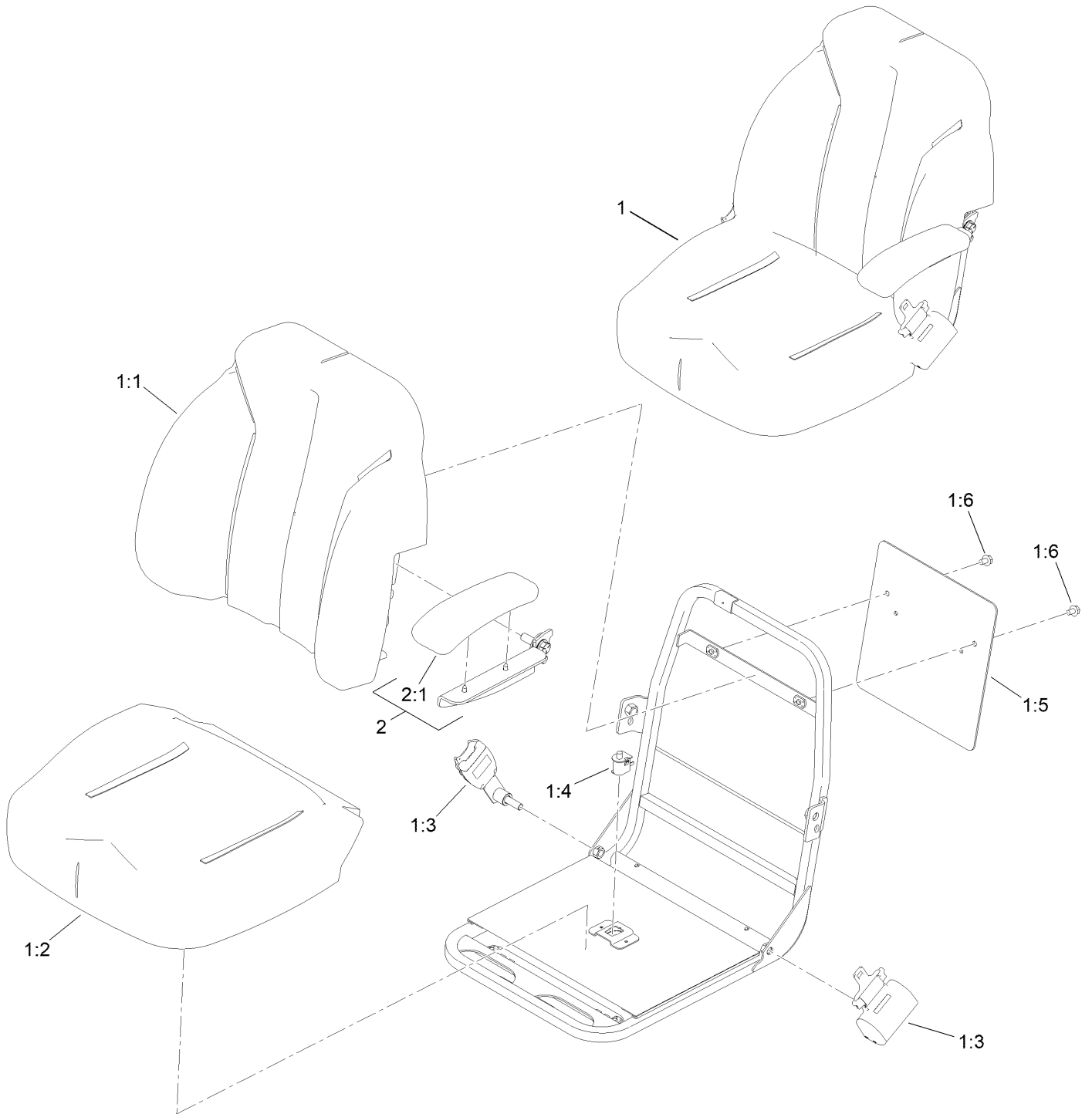
Seat and Track Assembly No. 139-2679



Seat and Track Assembly No. 139-2679 (continued)

<i>Ref.</i>	<i>Part Number</i>	<i>Qty.</i>	<i>Description</i>	<i>Ref.</i>	<i>Part Number</i>	<i>Qty.</i>	<i>Description</i>
1	139-2700	1	Seat ASM	3	136-9002	4	Spacer-Mounting
2	121-3658	1	RH Arm Rest Kit	4	126-2177	1	Track-Seat
2:1	110-4163	1	Cushion-Rest, Arm				

Seat Assembly No. 139-2700

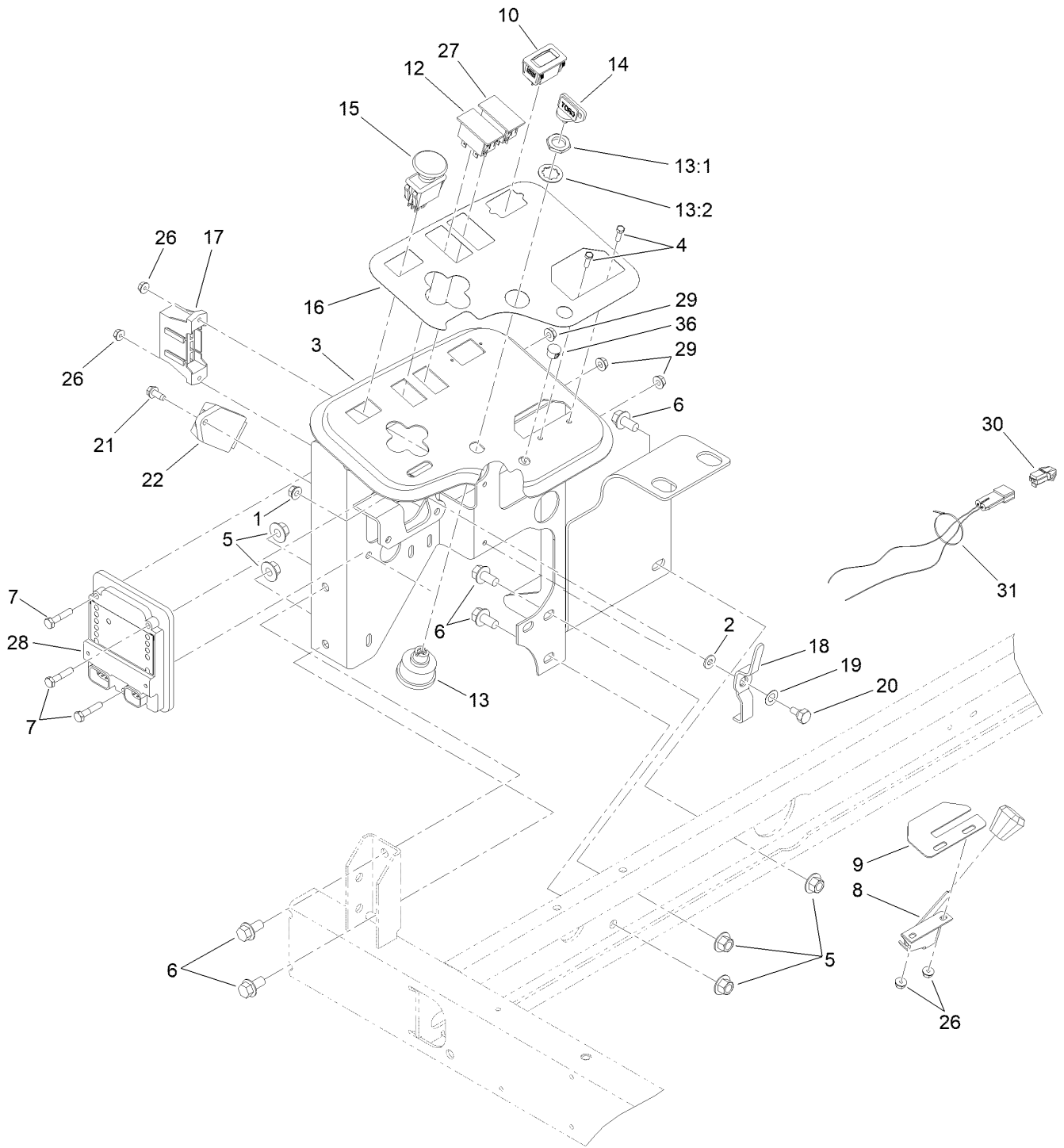


Seat Assembly No. 139-2700 (continued)

<i>Ref.</i>	<i>Part Number</i>	<i>Qty.</i>	<i>Description</i>
1	139-2680	1	Seat ASM
1:1	145-0083	1	Cover-Seat, Back
1:2	145-0084	1	Cover-Seat, Bottom
1:3	139-2707	1	Seat Belt Kit
1:4	82-2190	1	Switch-Bail

<i>Ref.</i>	<i>Part Number</i>	<i>Qty.</i>	<i>Description</i>
1:5	139-2701	1	Plate-Decal
1:6	3234-30	2	Screw-HHF
2	121-3660	1	LH Arm Rest Kit
2:1	110-4163	1	Cushion-Rest, Arm

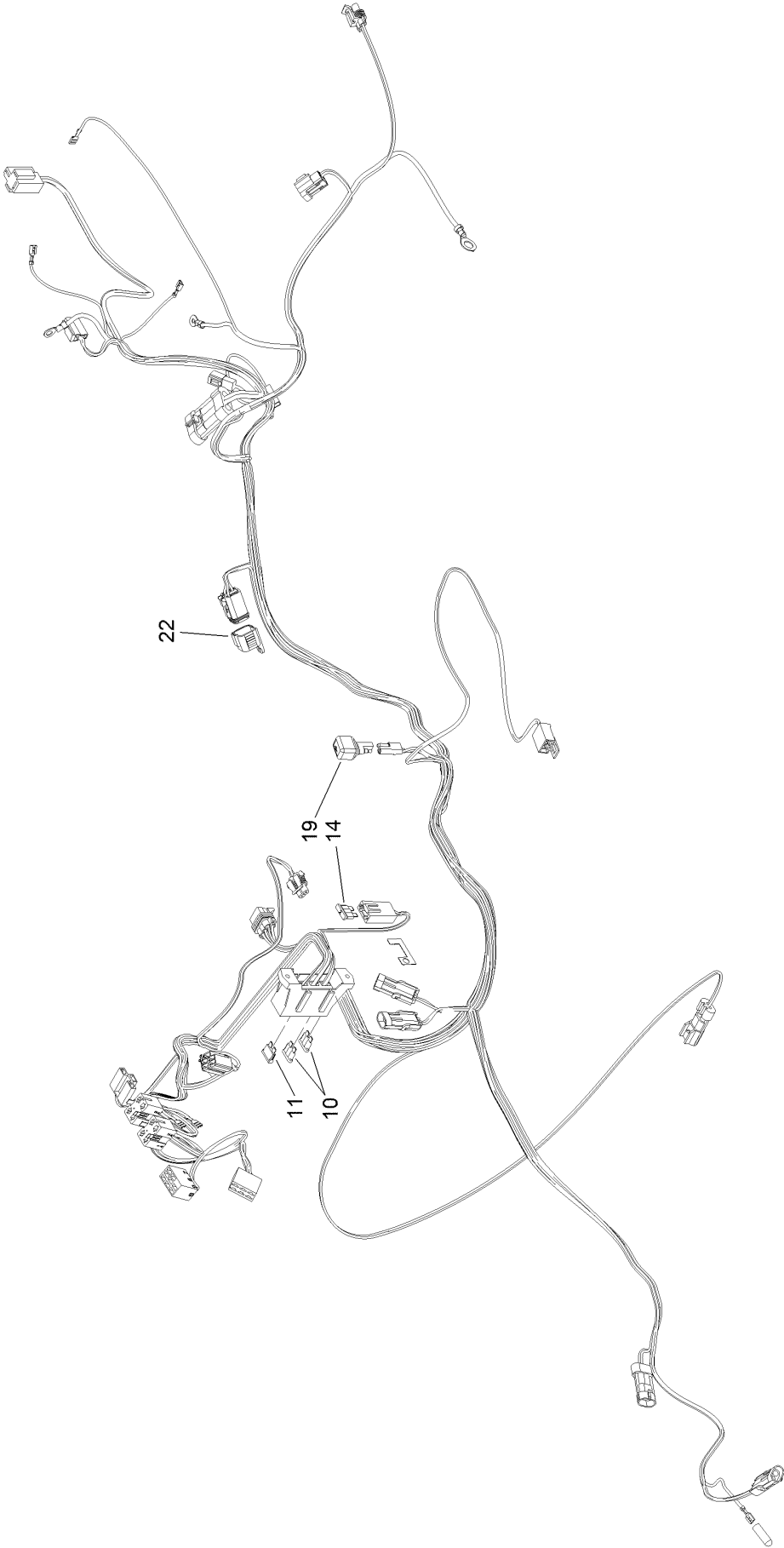
Control Panel Assembly



Control Panel Assembly (continued)

<i>Ref.</i>	<i>Part Number</i>	<i>Qty.</i>	<i>Description</i>	<i>Ref.</i>	<i>Part Number</i>	<i>Qty.</i>	<i>Description</i>
1	32128-32	1	Nut-HHF	15	93-9999	1	Switch-PTO
2	3256-22	1	Washer-Flat	16	136-3679	1	Decal-Console
3	136-3681-03	1	Panel-Control	17	122-1523	1	Harness-Wire
4	3290-134	4	Screw	18	99-3401	1	Lever-Lock
5	32128-43	5	Nut-Flange	19	3290-477	1	Washer-Curved
6	3234-1	5	Screw-HHF	20	63-3410	1	Screw-Shoulder
7	321-8	3	Screw-HH	21	32144-10	1	Screw-HWH
8	138-1224	1	Cable-Throttle	22	98-7611	1	Controller-Glow
9	104-0421	1	Plate-Stop, Throttle	26	3290-148	4	Nut-HF
10	120-2244	1	Hourmeter	27	100-8071	1	Lamp-Warning
12	100-8070	1	Lamp-Warning	28	106-9277	1	Module-Control, Standard
13	104-2541	1	Ignition Switch ASM	29	32128-33	3	Nut-HF
13:1	218-461	1	Nut-HH	30	104-4875	1	Harness-Wire, Jumper
13:2	3254-5	1	Washer-Lock	31	3290-379	1	Tie-Cable
14	63-8360	1	Key-Ignition	36	2410-64	1	Plug-Button

Wire Harness Assembly No. 122-1523

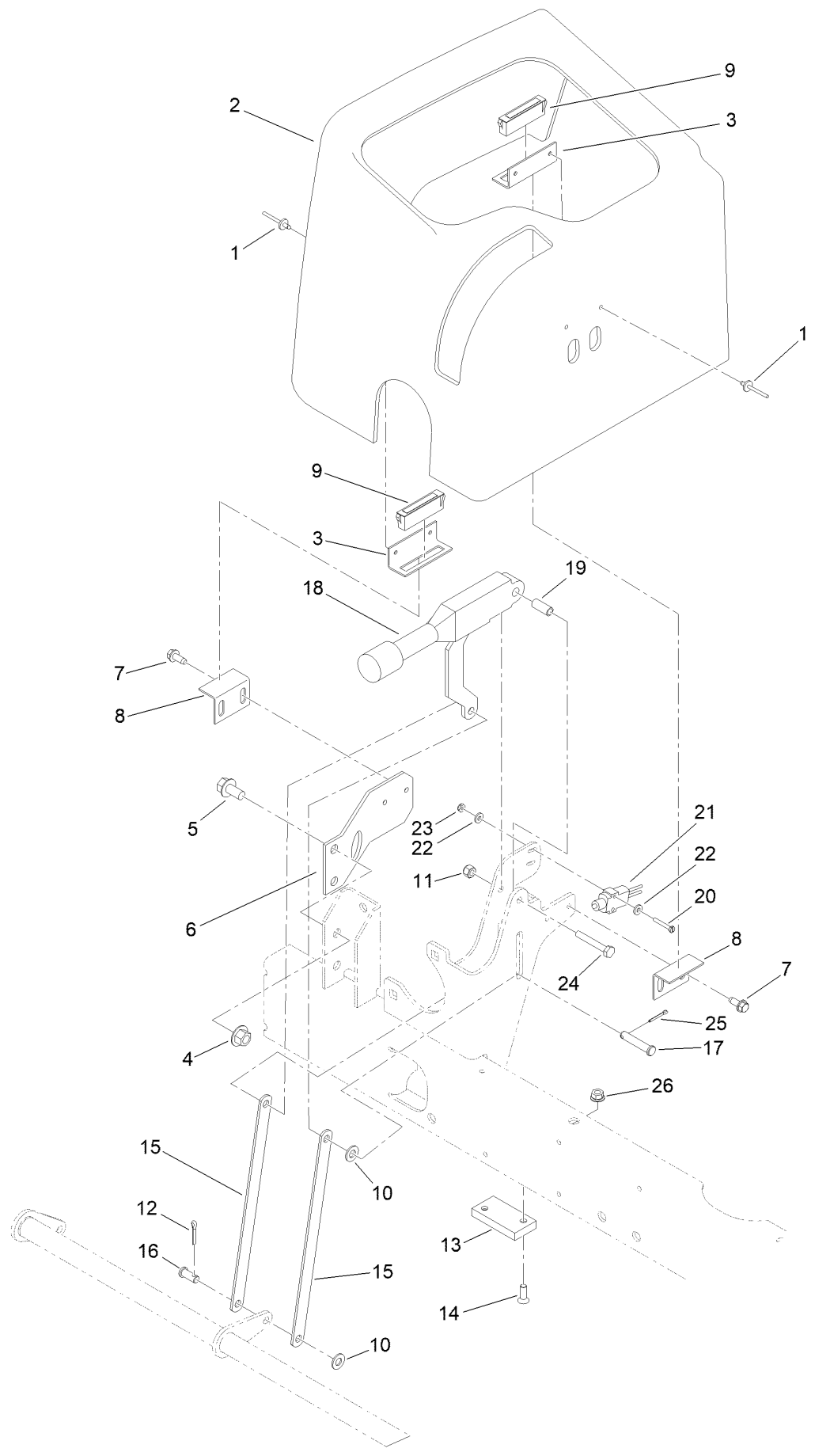


Wire Harness Assembly No. 122-1523 (continued)

<i>Ref.</i>	<i>Part Number</i>	<i>Qty.</i>	<i>Description</i>
10	218-578	2	Fuse-Blade, 10 Amp
11	109355	1	Fuse-Blade, 15 Amp
14	94-6710	1	Fuse-2 Amp

<i>Ref.</i>	<i>Part Number</i>	<i>Qty.</i>	<i>Description</i>
19	100-4918	1	Diode
22	32180-156	1	Cap-Plug, 6 Way

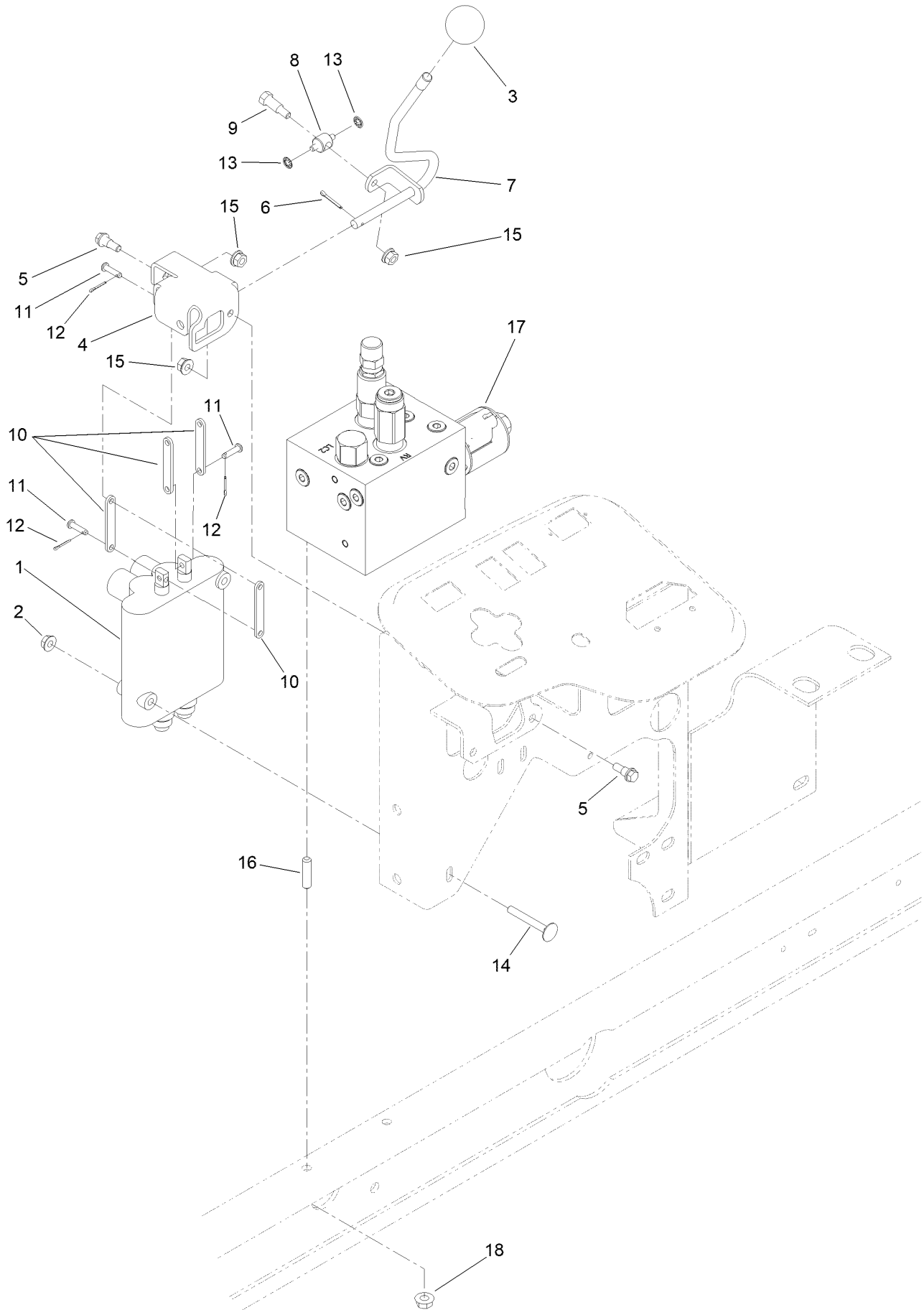
Parking Brake and Dash Cover Assembly



Parking Brake and Dash Cover Assembly (continued)

<i>Ref.</i>	<i>Part Number</i>	<i>Qty.</i>	<i>Description</i>	<i>Ref.</i>	<i>Part Number</i>	<i>Qty.</i>	<i>Description</i>
1	3269-5	4	Rivet-Pop	14	3289-4	2	Screw-FH
2	95-8707	1	Cover-Dash	15	104-4628	2	Link-Brake, Parking
3	95-8763	2	Bracket-Hold Down, Cover	16	283-62	1	Pin-Clevis
4	32128-43	2	Nut-Flange	17	94-3829	1	Pin-Clevis
5	3234-1	2	Screw-HHF	18	104-4817	1	Lever-Brake
6	95-8764-0P	1	Support-Magnet	19	87-4710	1	Spacer-Brake, Parking
7	32144-10	4	Screw-HWH	20	32105-9	2	Screw-HH
8	95-8765	2	Bracket-Strike, Magnet	21	95-8900	1	Switch
9	58-4250	2	Catch-Magnetic	22	3256-21	4	Washer-Flat
10	3256-23	2	Washer-Plain	23	3296-9	2	Nut-Hex
11	3296-42	1	Nut-Lock, NI	24	321-10	1	Screw-HH
12	3272-10	1	Pin-Cotter	25	3272-6	1	Pin-Cotter
13	95-8684	1	Pad-Bumper	26	104-7201	2	Nut-HF, NI

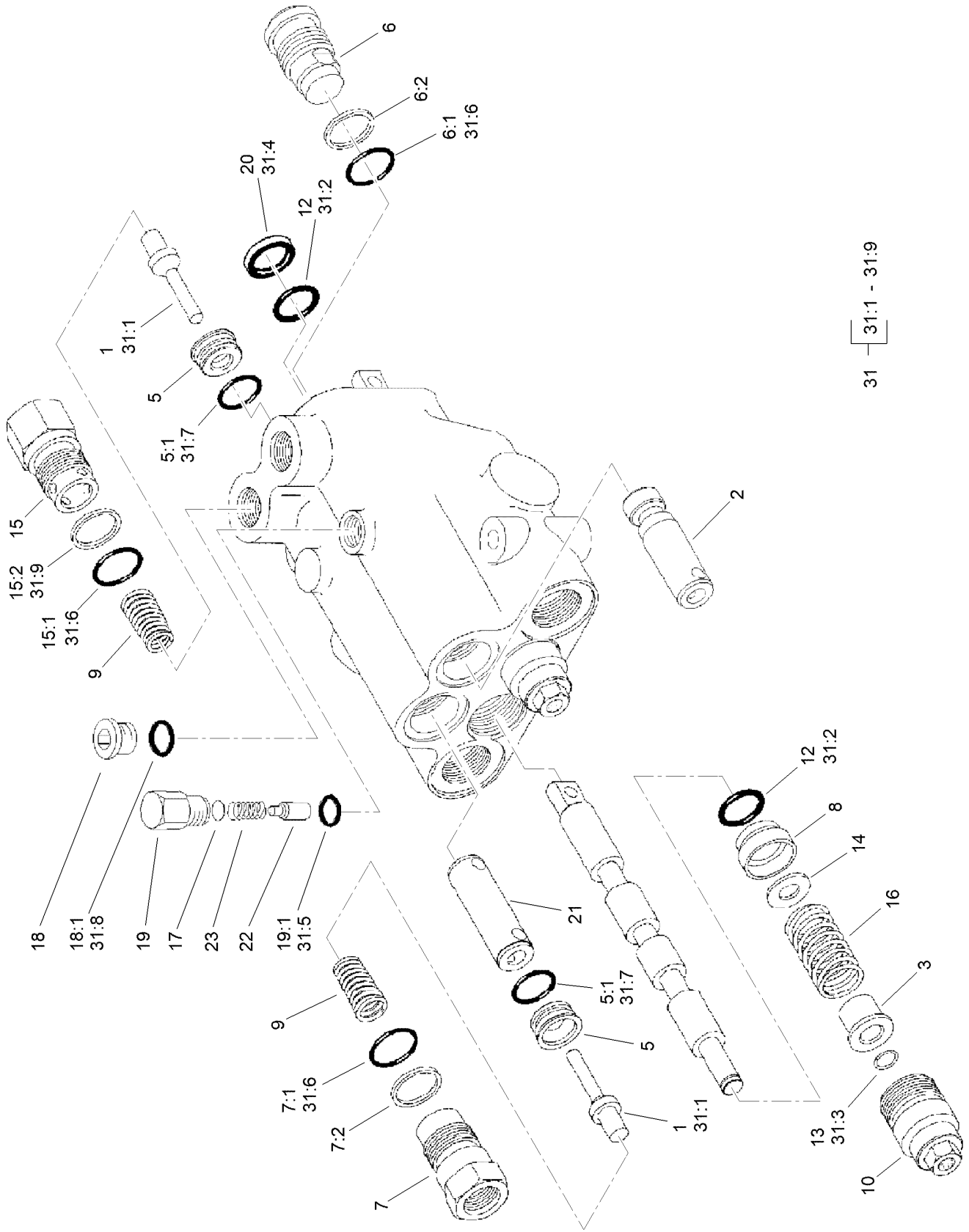
2-Spool Control Valve Assembly



2-Spool Control Valve Assembly (continued)

<i>Ref.</i>	<i>Part Number</i>	<i>Qty.</i>	<i>Description</i>	<i>Ref.</i>	<i>Part Number</i>	<i>Qty.</i>	<i>Description</i>
1	95-8581	1	2-Spool Control Valve ASM	10	95-8634	4	Link
2	32128-33	2	Nut-HF	11	283-16	3	Pin-Clevis
3	233-42	1	Knob	12	3272-1	3	Pin-Cotter
4	95-8633	1	Bracket-Valve, Actuator	13	32151-106	2	Ring-Retaining
5	42-3560	2	Bolt-Shoulder	14	3230-33	2	Screw-CARR
6	3272-6	1	Pin-Cotter	15	32128-32	3	Nut-HHF
7	95-8635	1	Lever-Valve	16	104-0430	2	Stud
8	95-8638	1	Trunnion-Valve, Actuator	17	121-3570	1	Manifold ASM
9	92-8916	1	Bolt-Shoulder	18	104-8300	2	Nut-HF, NI

2-Spool Control Valve Assembly No. 95-8581

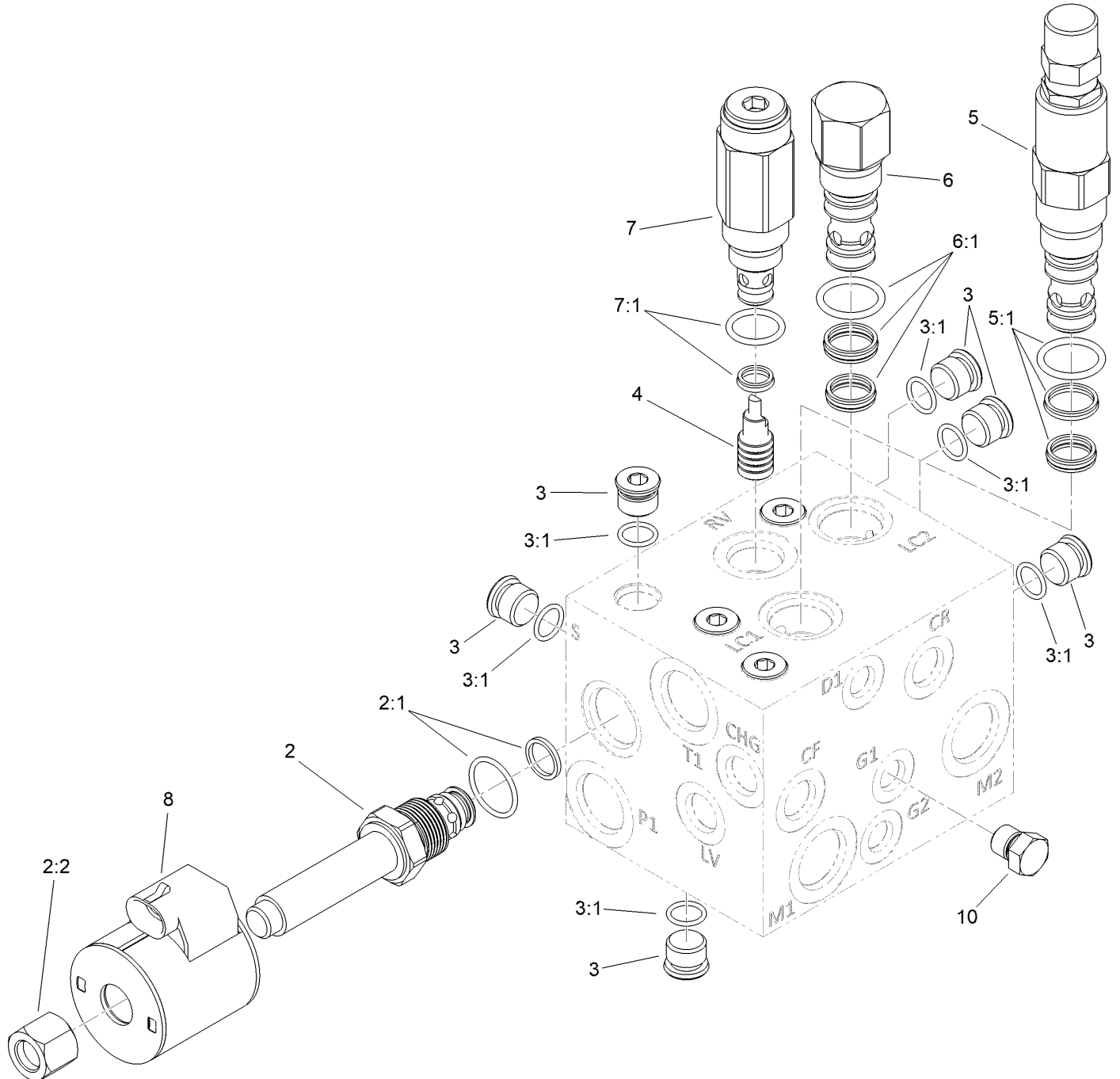


31 — 31:1 - 31:9

2-Spool Control Valve Assembly No. 95-8581 (continued)

<i>Ref.</i>	<i>Part Number</i>	<i>Qty.</i>	<i>Description</i>	<i>Ref.</i>	<i>Part Number</i>	<i>Qty.</i>	<i>Description</i>
1	58-6290	3	Poppet	16	99-3531	2	Spring
2	69-1840	1	Plunger	17	60-6450	1	Disc
3	58-6310	2	Spacer	18	353-989	1	Plug-Hex, Hollow
5	58-6330	3	Seat	18:1	237-42	1	O-Ring
5:1	58-6340	1	O-Ring	19	58-6780	1	Plug
6	58-6350	1	Plug	19:1	58-6790	1	O-Ring
6:1	60-5720	1	O-Ring	20	58-6320	2	Wiper
6:2	58-6370	1	Washer	21	99-3528	1	Plunger
7	69-1800	2	Plug ASM	22	58-6770	1	Plunger
7:1	60-5720	1	O-Ring	23	58-6760	1	Spring
7:2	58-6370	1	Washer	31	99-3530	1	Seal Kit
8	58-6400	2	Bushing	31:1	58-6290	3	Poppet
9	69-1810	3	Spring	31:2	58-6450	4	O-Ring
10	58-6420	2	Cap	31:3	58-6460	2	Ring-Retaining
12	58-6450	4	O-Ring	31:4	58-6320	2	Wiper
13	58-6460	2	Ring-Retaining	31:5	58-6790	1	O-Ring
14	65-2770	2	Washer	31:6	60-5720	4	O-Ring
15	99-3526	1	Plug ASM	31:7	58-6340	2	O-Ring
15:1	60-5720	1	O-Ring	31:8	237-42	1	O-Ring
15:2	59-7730	1	Washer-Backup	31:9	59-7730	2	Washer-Backup

Hydraulic Manifold Assembly No. 121-3570

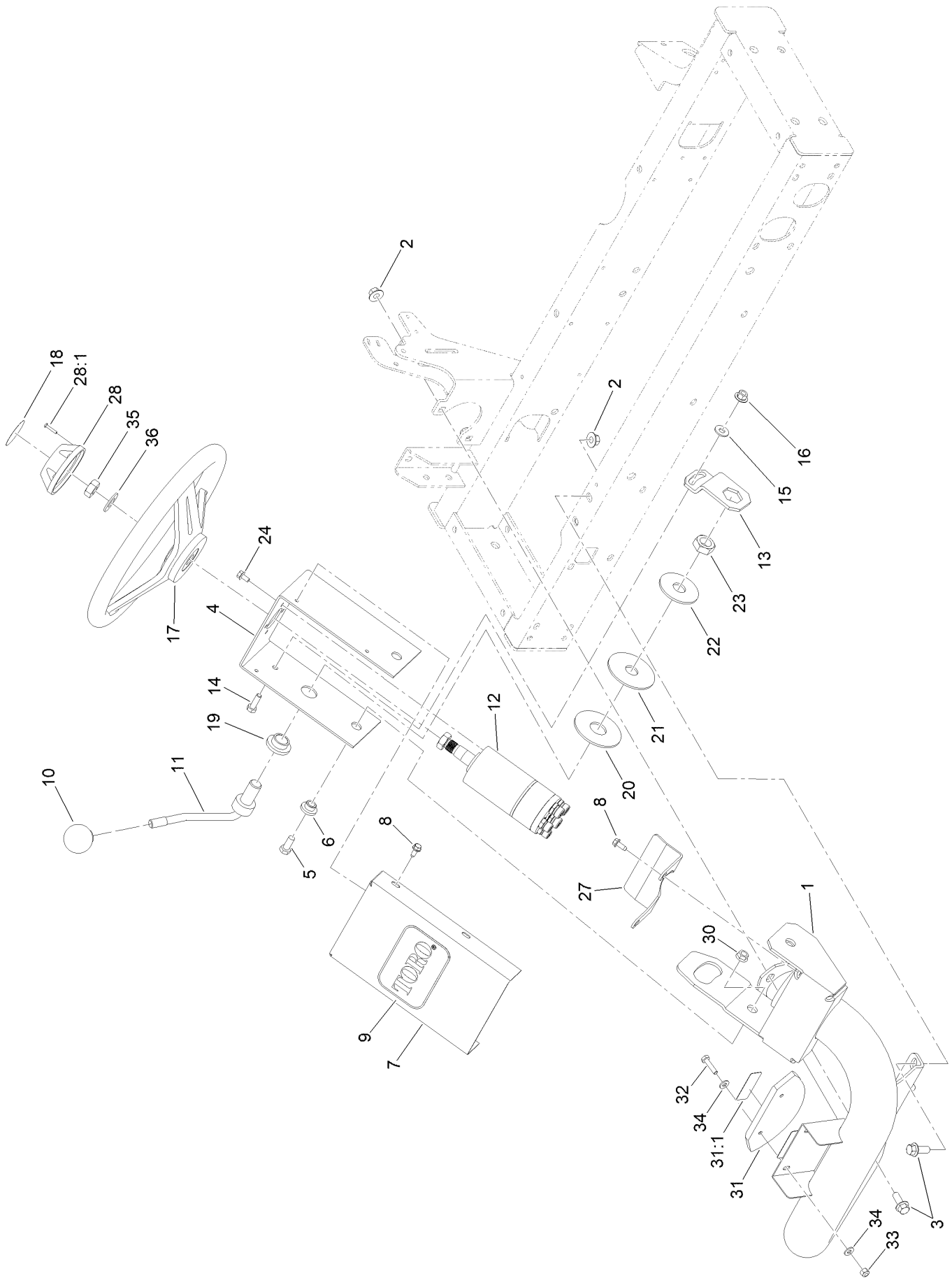


Hydraulic Manifold Assembly No. 121-3570 (continued)

<i>Ref.</i>	<i>Part Number</i>	<i>Qty.</i>	<i>Description</i>	<i>Ref.</i>	<i>Part Number</i>	<i>Qty.</i>	<i>Description</i>
2	110-8768	1	Valve-Relief, Solenoid (3000 PSI)	5:1	119-2159	1	Seal Kit
2:1	110-6316	1	Seal Kit	6	105-9153	1	Element-Logic, Vented
2:2	130-8180	1	Nut-Coil (9/16-24 Unef-2B)	6:1	119-2159	1	Seal Kit ●
3	353-512	9	Plug	7	112-5259	1	Valve-Relief
3:1	237-78	1	O-Ring	7:1	105-9156	1	Seal Kit
4	105-9157	1	Piston-Pilot	8	110-6344	1	Coil-12V, DC
5	119-2011	1	Valve-Logic, Adjustable	10	117-0115	1	Plug

● Not illustrated

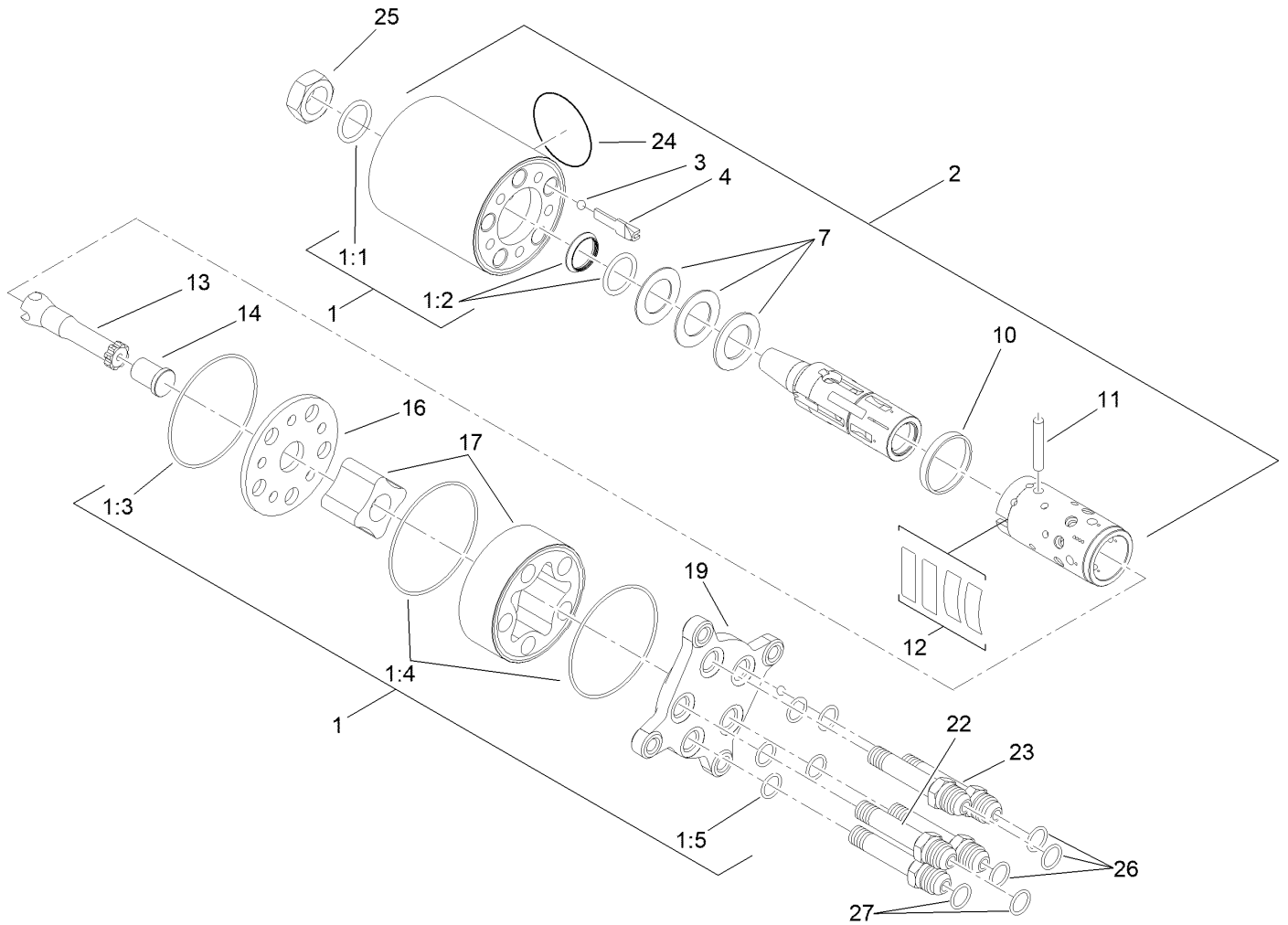
Steering Column Assembly



Steering Column Assembly (continued)

<i>Ref.</i>	<i>Part Number</i>	<i>Qty.</i>	<i>Description</i>	<i>Ref.</i>	<i>Part Number</i>	<i>Qty.</i>	<i>Description</i>
1	105-8536-01	1	Arm-Steering	19	99-3502	1	Boss
2	32128-43	4	Nut-Flange	20	31-0390	1	Disc-Friction
3	3234-11	4	Screw-HHF	21	82-9010	1	Disc-Friction
4	104-5185-01	1	Bracket-Valve, Steering	22	80-2930	1	Washer-Flat
5	323-5	2	Screw-HH	23	3218-7	1	Nut-Jam
6	93-5988	2	Hub-Pivot	24	33103-012	4	Screw-HHF
7	95-8794-01	1	Cover-Valve, Steering	27	99-3405-01	1	Shield-Steering
8	32144-10	5	Screw-HWH	28	68-5140	1	Cap-Wheel, Steering
9	67-1300	1	Decal	28:1	32144-21	1	Screw
10	233-48	1	Knob	30	32128-21	2	Nut-HF Lock
11	95-8798-03	1	Lever-Steering	31	100-4929	1	Slope Indicator ASM
12	121-7856	1	Steering Valve ASM	31:1	121-3628	1	Decal-Angle
13	80-2880	1	Bracket-Tilt	31:1	121-3598	1	Decal-Danger, 17 Degree
14	322-5	1	Screw-HH	32	321-7	2	Screw-HH
15	3256-3	1	Washer-Flat	33	3296-42	2	Nut-Lock, NI
16	32128-44	1	Nut	34	3256-22	4	Washer-Flat
17	145-0051	1	Steering Wheel	35	3296-33	1	Nut-Lock, NI
18	68-5370	1	Decal	36	3256-27	1	Washer-Flat

Steering Valve Assembly No. 121-7856

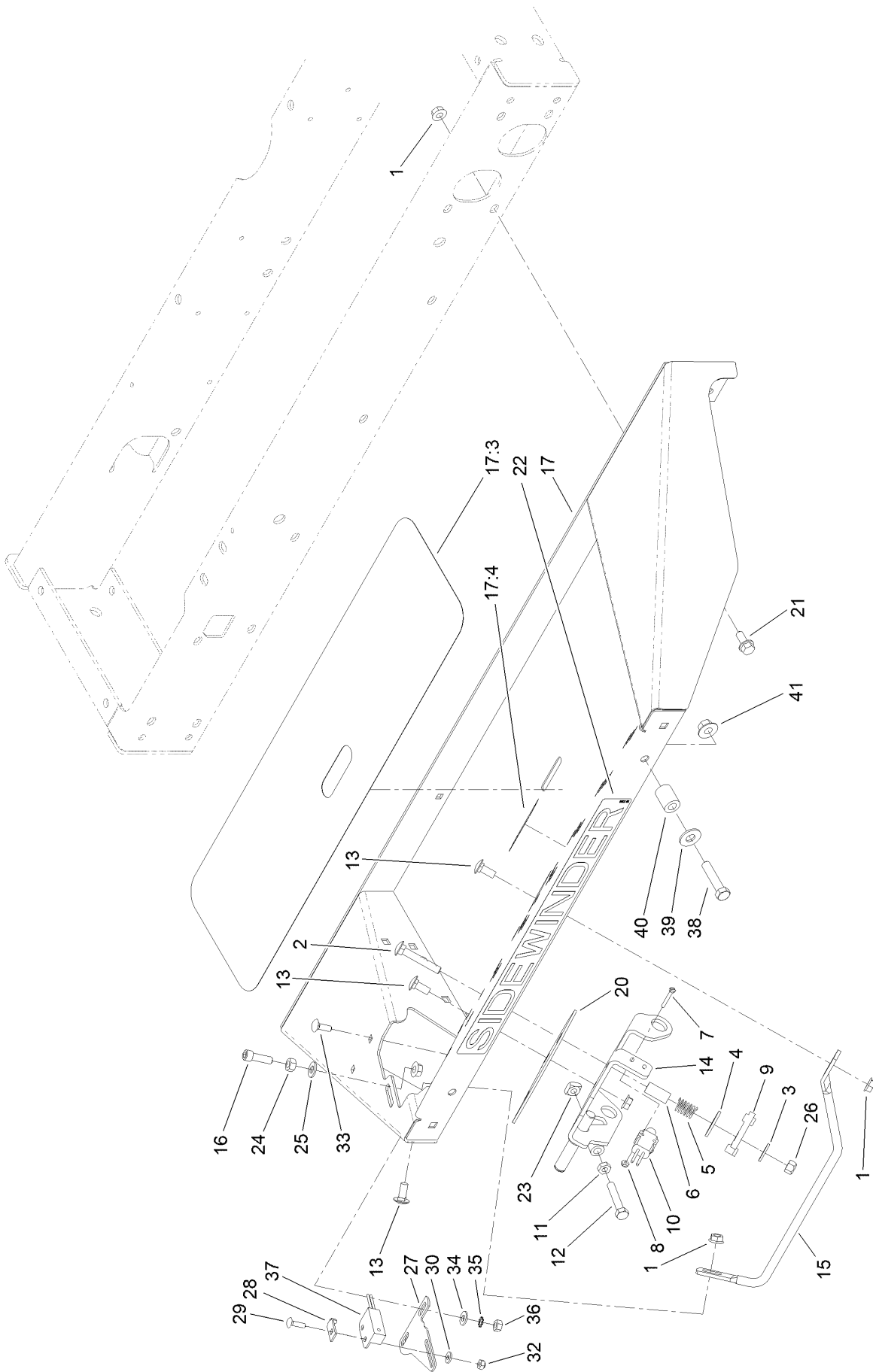


Steering Valve Assembly No. 121-7856 (continued)

<i>Ref.</i>	<i>Part Number</i>	<i>Qty.</i>	<i>Description</i>	<i>Ref.</i>	<i>Part Number</i>	<i>Qty.</i>	<i>Description</i>
1	106-6716	1	Seal Kit	12		1	Springs ●
1:1		1	Ring-Seal, Dust ●	13		1	Shaft ●
1:2		1	Seal-Shaft ●	14		1	Spacer ●
1:3		1	O-Ring ●	16		1	Plate-Distributor ●
1:4		2	O-Ring ●	17		1	Gearwheel Set ●
1:5		5	O-Ring ●	19		1	Cover-End ●
2		1	Housing ●	22		1	Screw-Special ●
3		1	Ball ●	23		4	Screw-Special ●
4		1	Stop-Ball ●	24		1	Plate-Name ●
7		1	Bearing ASM ●	25	3296-33	1	Nut-Lock, NI
10		1	Ring ●	26	237-22	3	O-Ring
11		1	Pin-Cross ●	27	237-21	2	O-Ring

● Not serviced separately

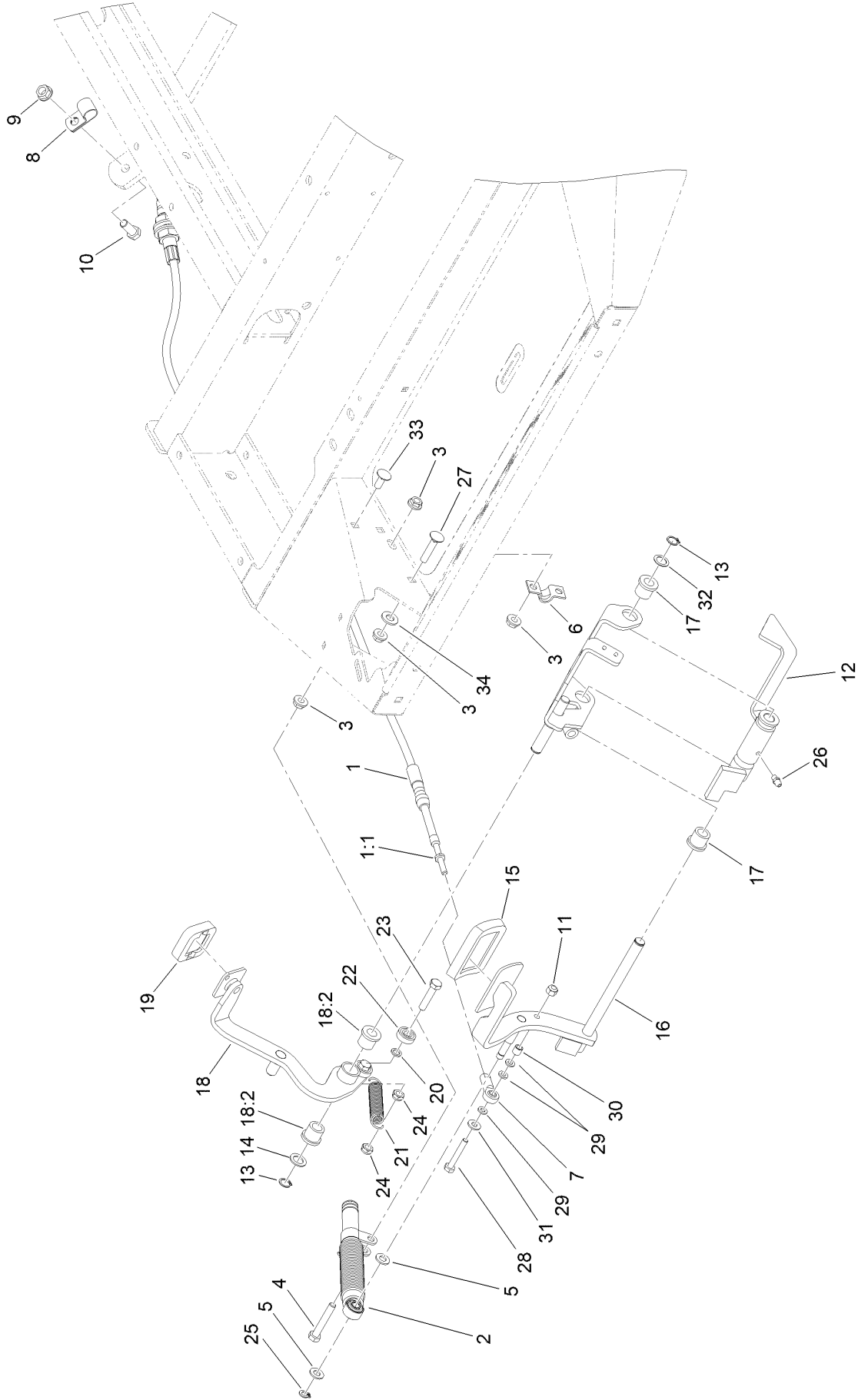
Floorplate Assembly



Floorplate Assembly (continued)

<i>Ref.</i>	<i>Part Number</i>	<i>Qty.</i>	<i>Description</i>	<i>Ref.</i>	<i>Part Number</i>	<i>Qty.</i>	<i>Description</i>
1	32128-20	15	Nut-HF	21	3234-5	10	Screw-HHF
2	3230-6	1	Bolt-CARR	22	99-3388	1	Decal
3	3256-3	1	Washer-Flat	23	99-3565	1	Nut-Square
4	3256-40	1	Washer-Flat	24	3217-6	1	Nut-Hex
5	65-9940	1	Spring	25	3256-23	1	Washer-Plain
6	95-8866	1	Tube-Arm, Rocker	26	3296-29	1	Nut-Lock, NI
7	32105-9	2	Screw-HH	27	100-4871	1	Bracket-Switch, Neutral
8	3296-9	2	Nut-Hex	28	100-4872	1	Plate-Switch, Neutral
9	99-3593	1	Arm-Rocker	29	3229-20	1	Screw-CARR
10	95-8900	1	Switch	30	3256-14	1	Washer-Flat
11	3218-2	1	Nut-Hex Jam	32	3296-2	1	Nut-Lock, NI
12	322-41	1	Bolt-Hex, TAP	33	3229-1	2	Screw-CARR
13	3230-23	4	Bolt-CARR	34	3256-22	2	Washer-Flat
14	95-8869-0P	1	Bracket-Pedal, Traction	35	3255-7	2	Washer-Lock/EXT
15	95-8893	1	Bar-Deflector	36	3217-5	2	Nut-Hex
16	3274-22	1	Screw-HSH	37	100-1270	1	Switch-Proximity
17	106-4154	1	Floorplate ASM	38	323-9	2	Screw-HH
17:3	99-3478	1	Tread-Foot	39	3256-4	2	Washer-Flat
17:4	99-3444	1	Decal-Mow / Transport	40	104-4613	2	Tube-Latch
20	106-2661-0P	1	Plate-Support	41	32128-43	2	Nut-Flange

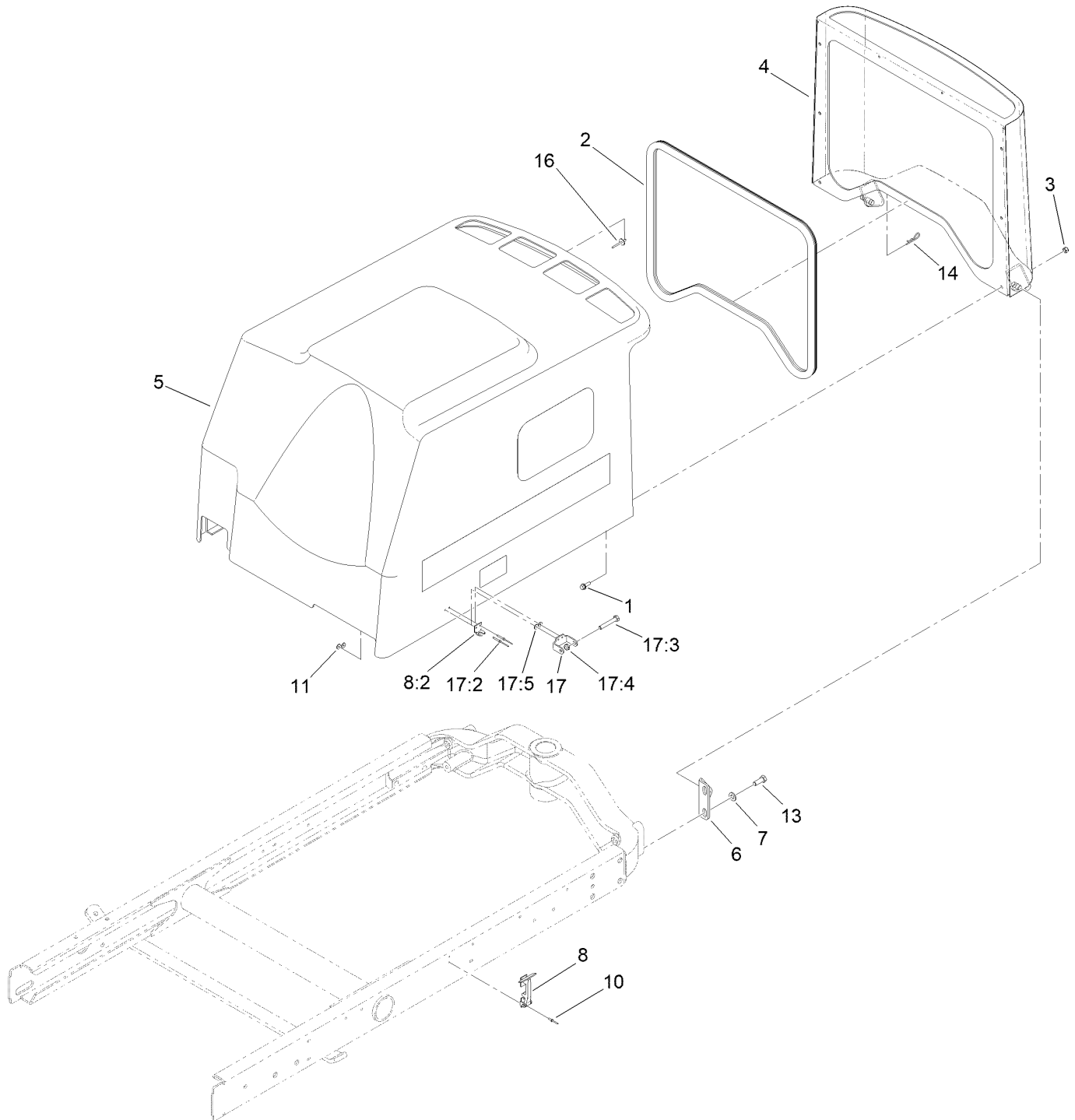
Traction Pedal Assembly



Traction Pedal Assembly (continued)

<i>Ref.</i>	<i>Part Number</i>	<i>Qty.</i>	<i>Description</i>	<i>Ref.</i>	<i>Part Number</i>	<i>Qty.</i>	<i>Description</i>
1	100-4815	1	Cable-Control, Traction	18	99-3379	1	Pedal-Reverse ASM
1:1	3220-1	2	Nut-Jam	18:2	256-243	2	Bearing-Flange
2	140-6248	1	Damper	19	74-9110	1	Pad-Pedal, Reverse
3	32128-20	5	Nut-HF	20	75-5470	1	Spacer-Bearing
4	322-10	1	Screw-HH	21	99-3476	1	Spring-Extension
5	3256-23	2	Washer-Plain	22	251-259	1	Bearing-Ball
6	93-2092	1	Clamp-Cable	23	322-7	1	Screw-HH
7	2411-41	1	Rod End-Ball Joint	24	3296-47	3	Nut-Lock,NI
8	2412-41	1	Clamp-R	25	32151-3	1	Ring-Grip
9	3290-357	1	Nut-HSF	26	302-5	1	Fitting-Grease
10	323-6	1	Screw-HH	27	3230-27	1	Screw-CARR
11	3296-42	1	Nut-Lock, NI	28	321-10	1	Screw-HH
12	95-8861	1	Slide	29	33093-00	3	Washer-Flat
13	32151-84	2	Ring-Shaft, EXT	30	99-3545	1	Spacer
14	41-8440	1	Washer	31	3256-22	1	Washer-Flat
15	74-9100	1	Pad-Pedal, Forward	32	73-0040	4	Washer-Thrust
16	104-4852-03	1	Pedal-Traction	33	3230-23	2	Bolt-CARR
17	256-243	2	Bearing-Flange	34	3256-24	1	Washer-Plain

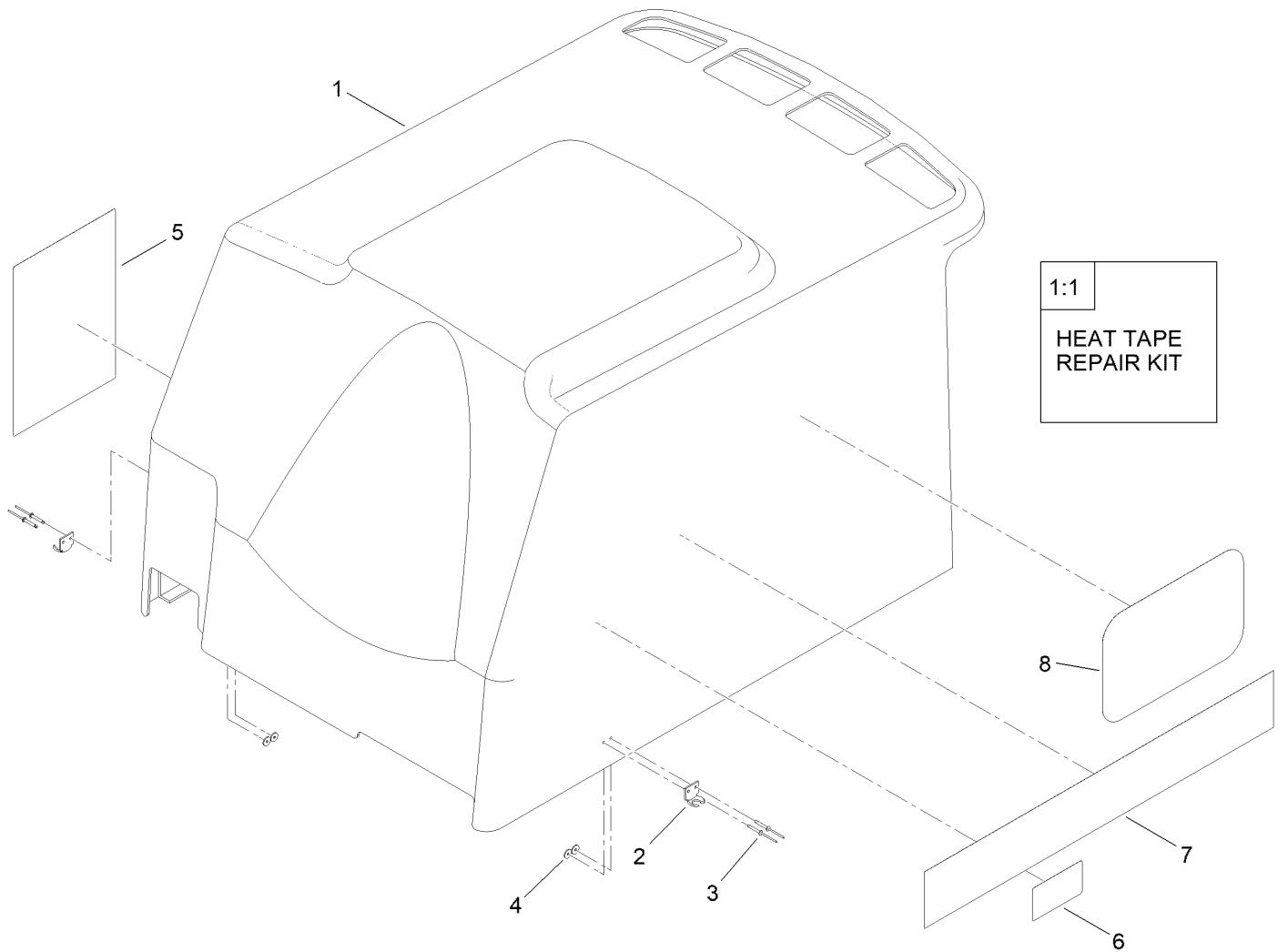
Hood Assembly



Hood Assembly (continued)

<i>Ref.</i>	<i>Part Number</i>	<i>Qty.</i>	<i>Description</i>	<i>Ref.</i>	<i>Part Number</i>	<i>Qty.</i>	<i>Description</i>
1	3234-4	6	Screw-HHF	11	3269-10	4	Washer-Back
2	100-4932	1	Trim-Seal	13	323-6	4	Screw-HH
3	3296-42	6	Nut-Lock, NI	14	3290-467	1	Pin-Hair
4	104-4853-03	1	Screen-Hood	16	3269-21	2	Rivet-Pop
5	121-3631	1	Hood ASM	17	119-2004	1	CE Latch Kit
6	95-8728	2	Bracket-Pivot, Hood	17:2	107-0333	2	Rivet-Pop
7	3256-24	4	Washer-Plain	17:3	322-10	1	Screw-HH
8	59-9740	2	Flex Draw Latch ASM	17:4	3296-47	1	Nut-Lock,NI
8:2	249-40	1	Keeper	17:5	3269-10	2	Washer-Back
10	3290-55	4	Rivet-Pop				

Hood Assembly No. 121-3631



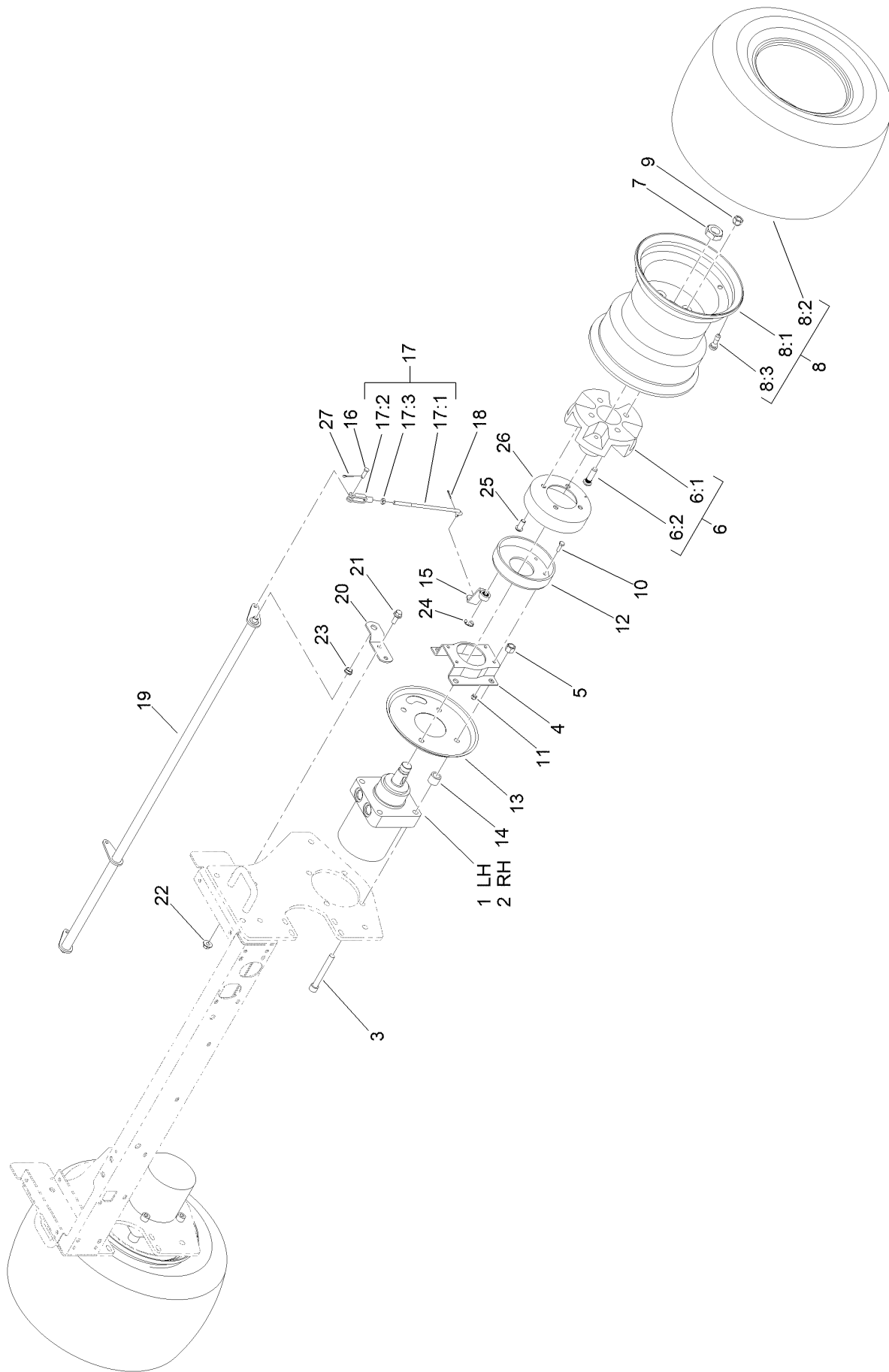
Hood Assembly No. 121-3631 (continued)

<i>Ref.</i>	<i>Part Number</i>	<i>Qty.</i>	<i>Description</i>
1		1	Hood ●
1:1	106-8115	1	Heat Tape Repair Kit
2	249-40	2	Keeper
3	107-0333	4	Rivet-Pop
4	3269-10	4	Washer-Back

<i>Ref.</i>	<i>Part Number</i>	<i>Qty.</i>	<i>Description</i>
5	136-3713	1	Decal-Service
6	117-3270	1	Decal-Danger
7	104-5152	2	Decal-Hood
8	66-6140	2	Decal

● Not serviced separately

Wheel Motor and Brake Assembly

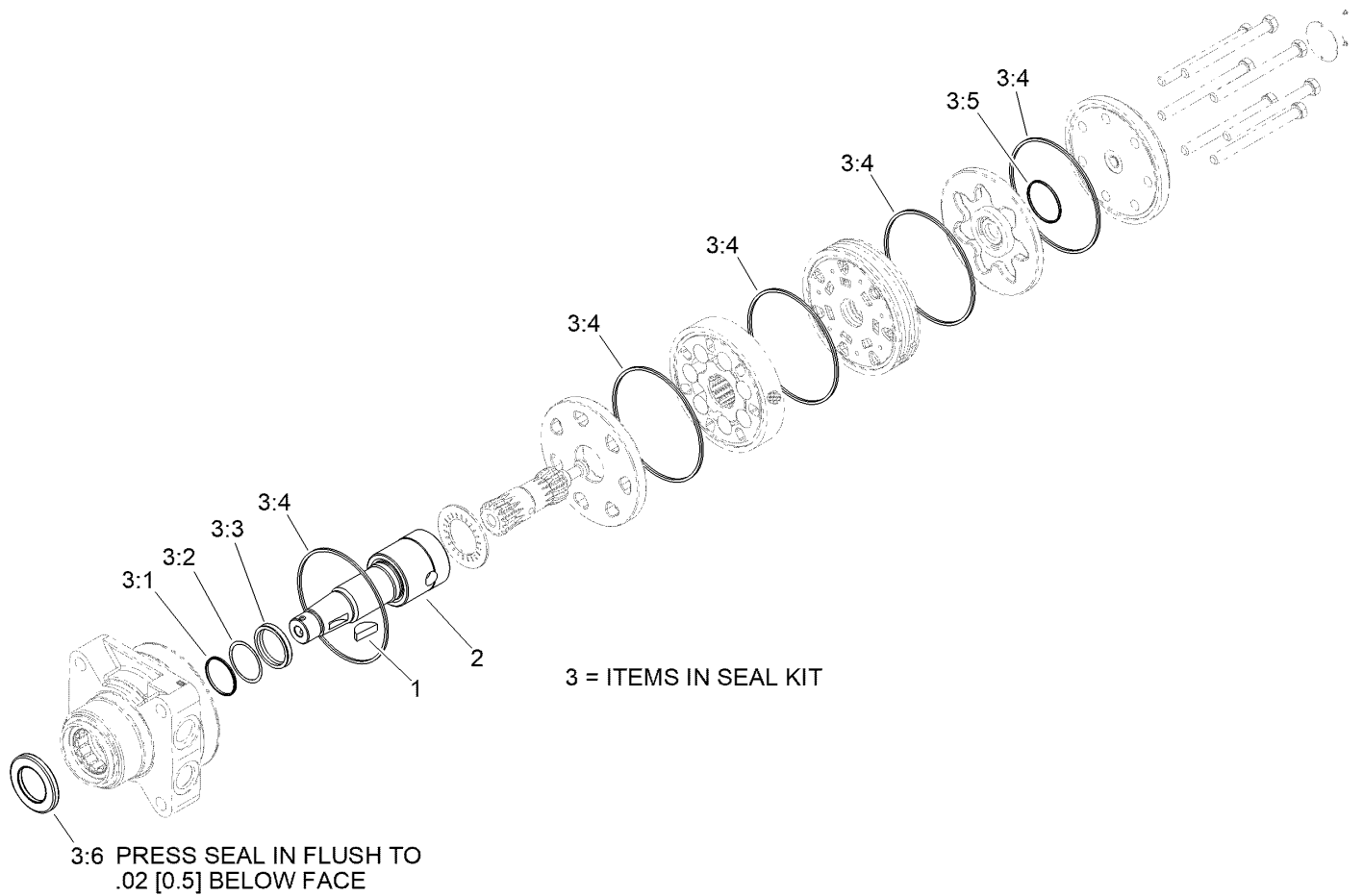


Wheel Motor and Brake Assembly (continued)

<i>Ref.</i>	<i>Part Number</i>	<i>Qty.</i>	<i>Description</i>	<i>Ref.</i>	<i>Part Number</i>	<i>Qty.</i>	<i>Description</i>
1	110-8785	1	HYD Motor ASM (CCW)	14	119-8238	8	Spacer-Deck Pulley
2	110-8786	1	HYD Motor ASM (CW)	15	114-2726	2	Lever-Brake
3	3274-99	8	Screw-HSH	16	283-1	2	Pin-Clevis
4	84-2000-0P	2	Bracket-Brake	17	115-6672	2	Brake Lever ASM
5	3296-23	8	Nut-Lock, NI	17:1	104-4627	1	Rod-Adjusting
6		2	Wheel Hub/Stud ASM ●	17:2	1-303105	1	Yoke-Adjustable
6:1	104-0462	1	Hub-Wheel, Spacer	17:3	3220-2	1	Nut-Jam
6:2	10-6830	4	Stud-Type, Drive	18	3272-6	2	Pin-Cotter
7	26-3790	2	Nut-Lock	19	104-4625-03	1	Shaft-Pivot, Brake
8		2	Tire And Rim ASM ●	20	95-8683	2	Bracket-Pivot, Brake
8:1	121-3548	1	Rim	21	3234-11	4	Screw-HHF
8:2	117-5125	1	Tire	22	32128-43	4	Nut-Flange
8:3	232-27	1	Stem-Valve	23	256-156	2	Bushing-Flange
9	242-50	8	Nut-Lug	24	104-7706	2	E-Ring, Bowed
10	321-5	8	Screw-HH	25	3274-105	8	Screw-HSBH
11	3296-42	8	Nut-Lock, NI	26	104-4809	2	Drum-Brake
12	104-7705	2	Brake ASM	27	3272-10	2	Pin-Cotter
13	104-0485-0P	2	Shield-Wheel				

● Not serviced separately

Hydraulic Motor Assembly No. 110-8785

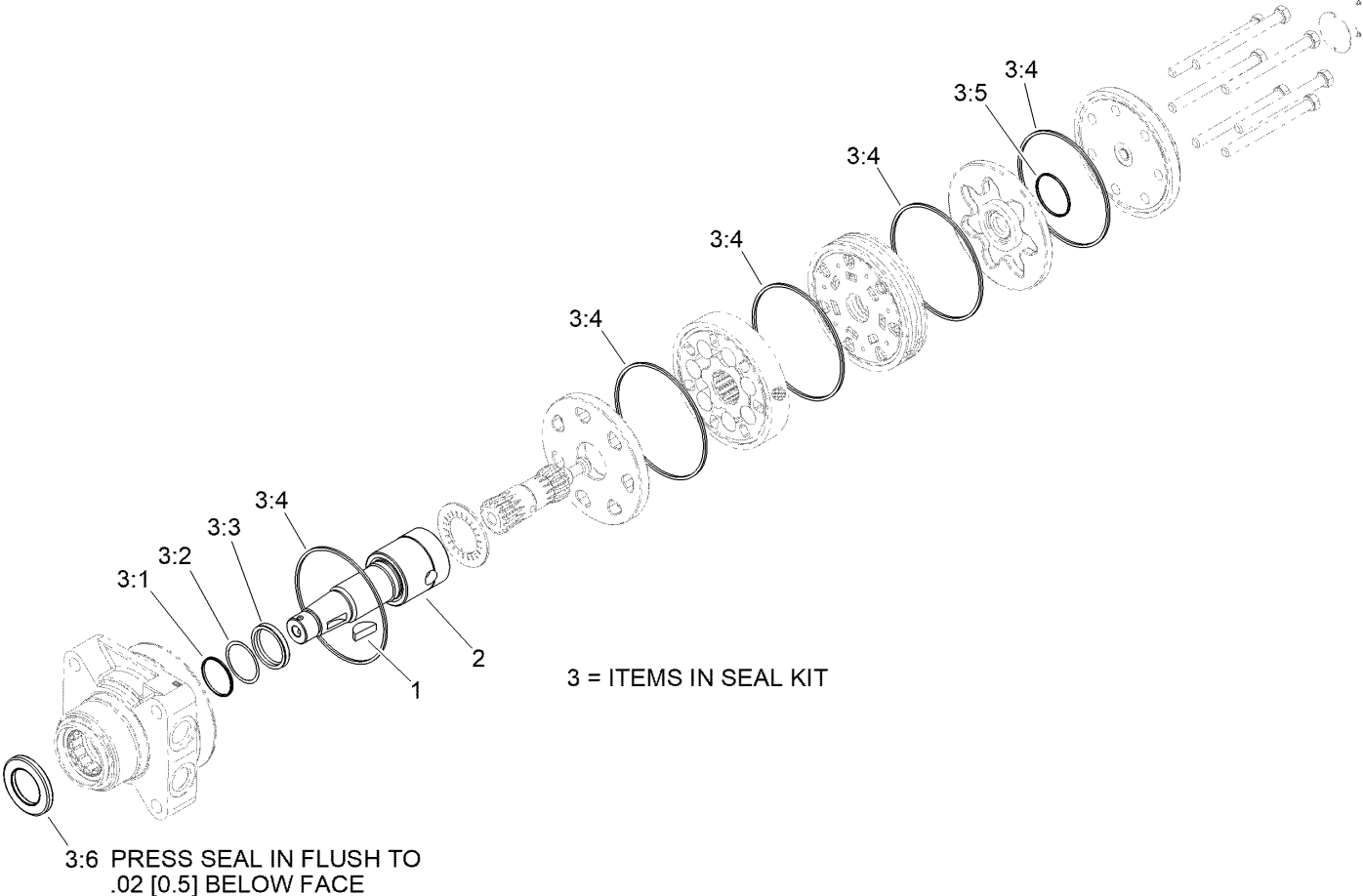


Hydraulic Motor Assembly No. 110-8785 (continued)

<i>Ref.</i>	<i>Part Number</i>	<i>Qty.</i>	<i>Description</i>	<i>Ref.</i>	<i>Part Number</i>	<i>Qty.</i>	<i>Description</i>
1	3257-42	1	Key-Woodruff	3:3		1	Seal-Shaft ●
2	99-3090	1	Shaft-Coupling	3:4		5	Seal-Ring ●
3	100-6131	1	Seal Kit	3:5		1	Seal-Commutator ●
3:1		1	Ring-Back Up ●	3:6		1	Seal-Dirt And Water ●
3:2		1	Washer-Back Up ●				

● Not serviced separately

Hydraulic Motor Assembly No. 110-8786

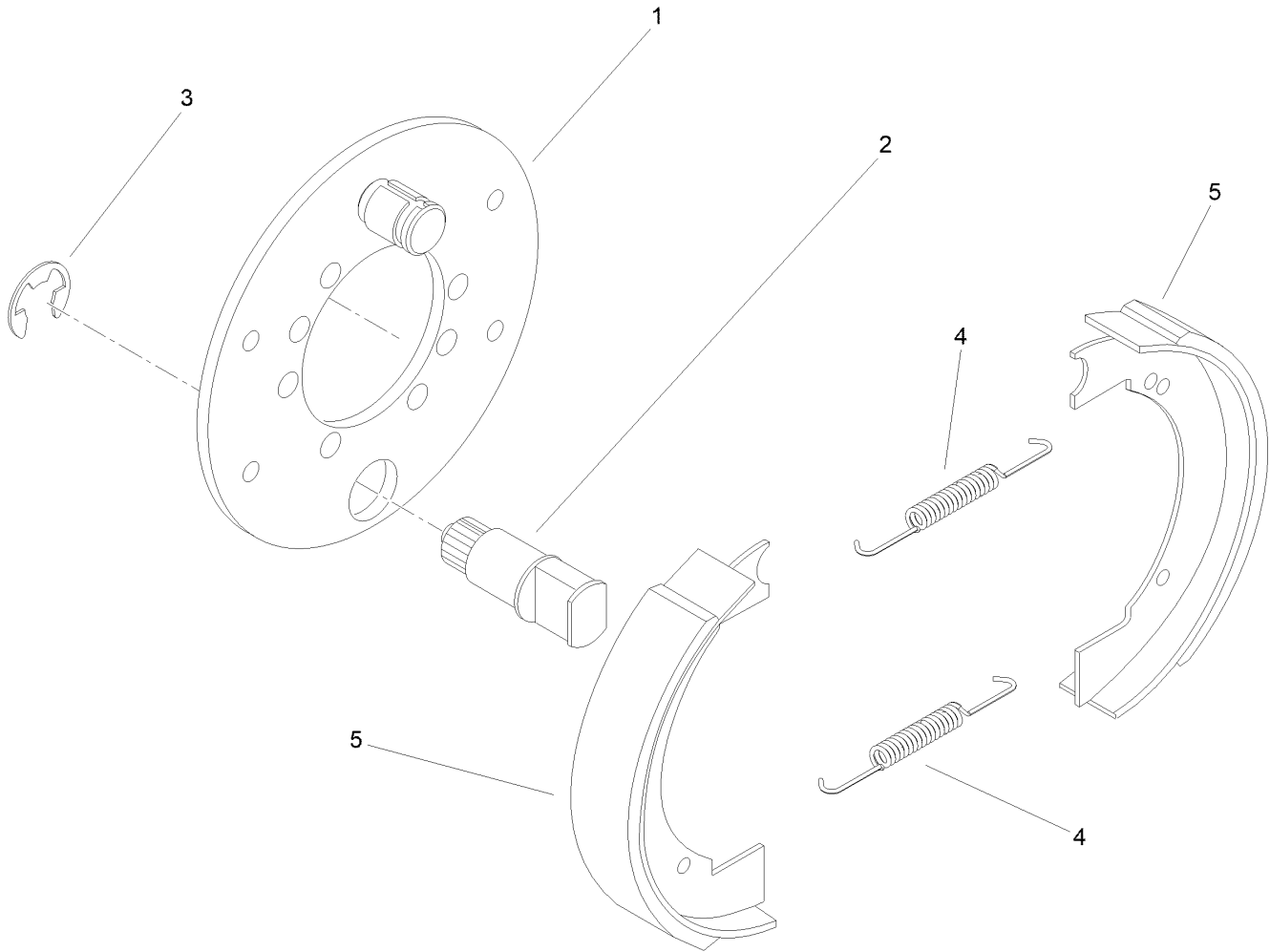


Hydraulic Motor Assembly No. 110-8786 (continued)

<i>Ref.</i>	<i>Part Number</i>	<i>Qty.</i>	<i>Description</i>	<i>Ref.</i>	<i>Part Number</i>	<i>Qty.</i>	<i>Description</i>
1	3257-42	1	Key-Woodruff	3:3		1	Seal-Shaft ●
2	99-3090	1	Shaft-Coupling	3:4		5	Seal-Ring ●
3	100-6131	1	Seal Kit	3:5		1	Seal-Commutator ●
3:1		1	Ring-Back Up ●	3:6		1	Seal-Dirt And Water ●
3:2		1	Washer-Back Up ●				

● Not serviced separately

Brake Assembly No. 104-7705

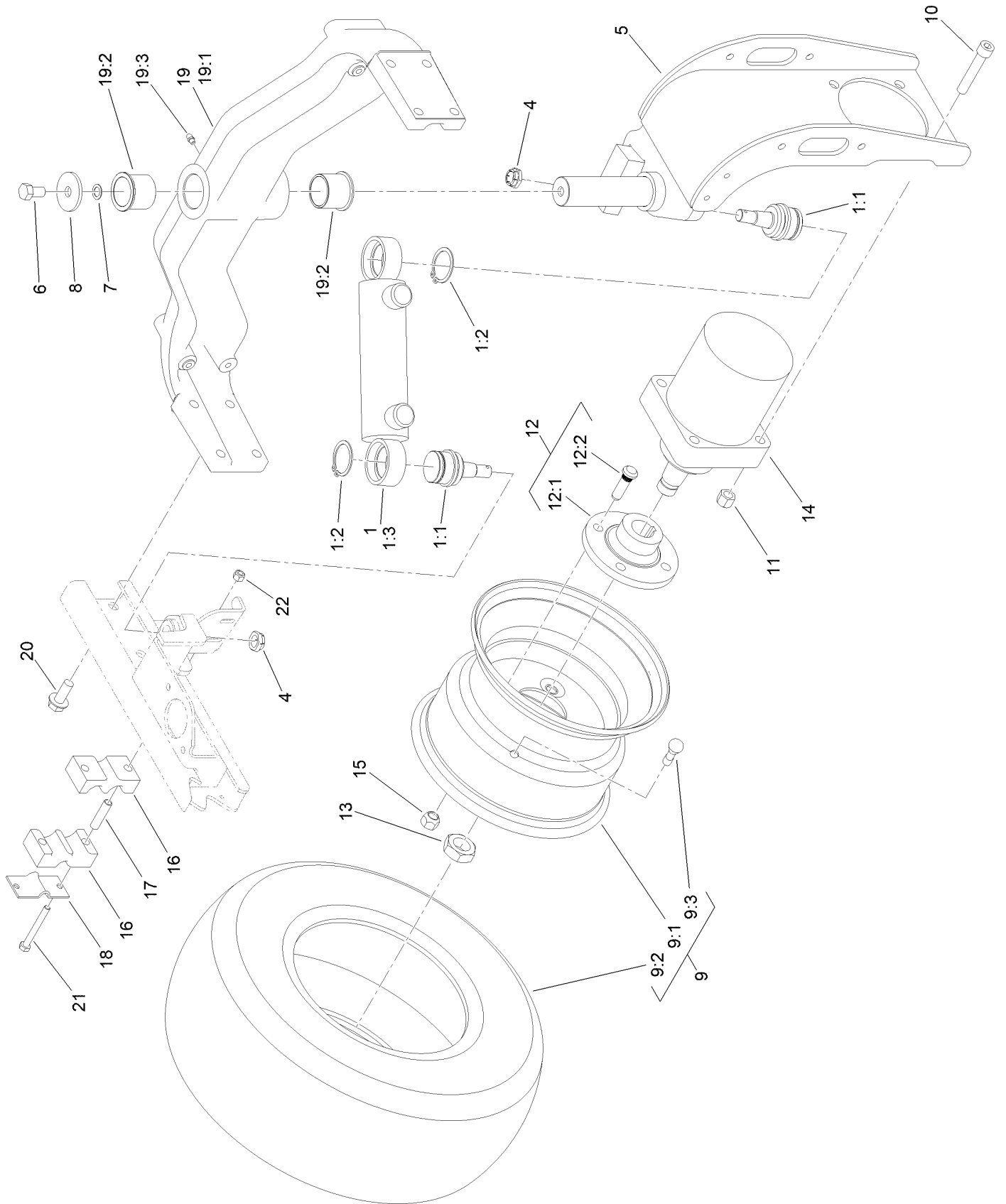


Brake Assembly No. 104-7705 (continued)

<i>Ref.</i>	<i>Part Number</i>	<i>Qty.</i>	<i>Description</i>
1	70-9870	1	Plate-Backing
2	104-7707	1	Shaft-Cam, Brake
3	104-7706	1	E-Ring, Bowed

<i>Ref.</i>	<i>Part Number</i>	<i>Qty.</i>	<i>Description</i>
4	70-9880	2	Spring-Return
5	70-9840	2	Shoe-Brake

Rear Fork and Tire Assembly

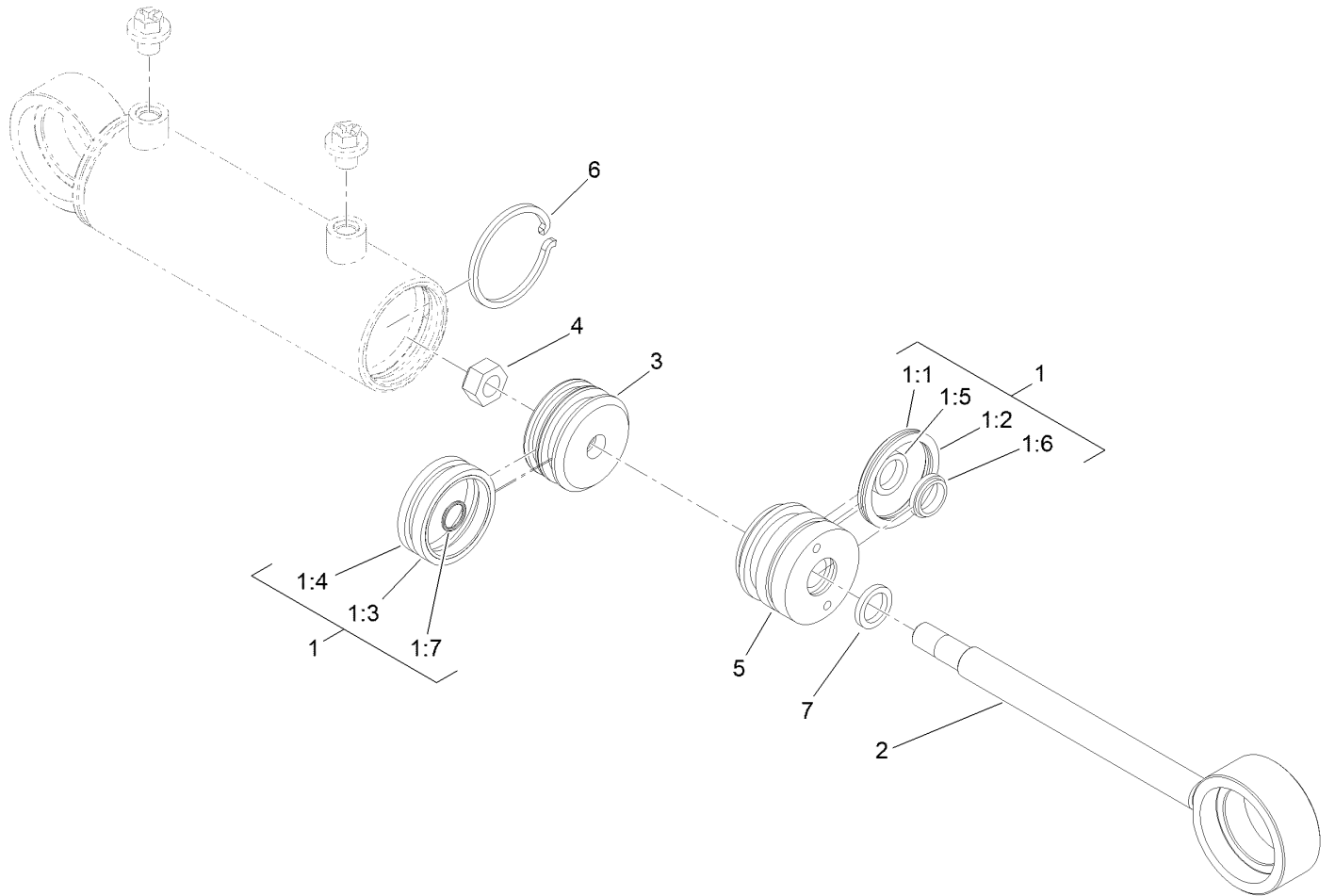


Rear Fork and Tire Assembly (continued)

<i>Ref.</i>	<i>Part Number</i>	<i>Qty.</i>	<i>Description</i>	<i>Ref.</i>	<i>Part Number</i>	<i>Qty.</i>	<i>Description</i>
1		1	Steering Cylinder ASM ●	12:1	10-6870-03	1	Hub-Wheel
1:1	121-3605	2	Ball Joint	12:2	10-6830	4	Stud-Type, Drive
1:2	32151-104	2	Ring-Retaining, External	13	26-3790	1	Nut-Lock
1:3	121-3653	1	Cylinder-HYD	14	95-8694	1	HYD Motor ASM
4	121-3611	2	Nut-Hex, Flextop	15	242-50	4	Nut-Lug
5	136-3812-01	1	Fork-Rear	16	82-8170	2	Clamp
6	325-3	1	Screw-HH	17	93-7960	2	Spacer
7	3255-2	1	Washer-Lock, EXT	18	93-7961	1	Clamp-Drain, Case
8	75-7730	1	Washer-Thrust	19	127-8576	1	Rear Casting ASM
9		1	Wheel And Tire ASM ●	19:1		1	Casting-Rear ●
9:1	117-5129	1	Rim	19:2	127-8572	2	Bushing-Flange
9:2	115-1572	1	Tire	19:3	302-5	1	Fitting-Grease
9:3	232-27	1	Stem-Valve	20	3234-38	8	Screw-HHF
10	3274-93	4	Screw-HSH	21	322-13	2	Screw-HH
11	3296-23	4	Nut-Lock, NI	22	3296-29	2	Nut-Lock, NI
12		1	Wheel Hub/Stud ASM ●				

● Not serviced separately

Hydraulic Cylinder Assembly No. 121-3653

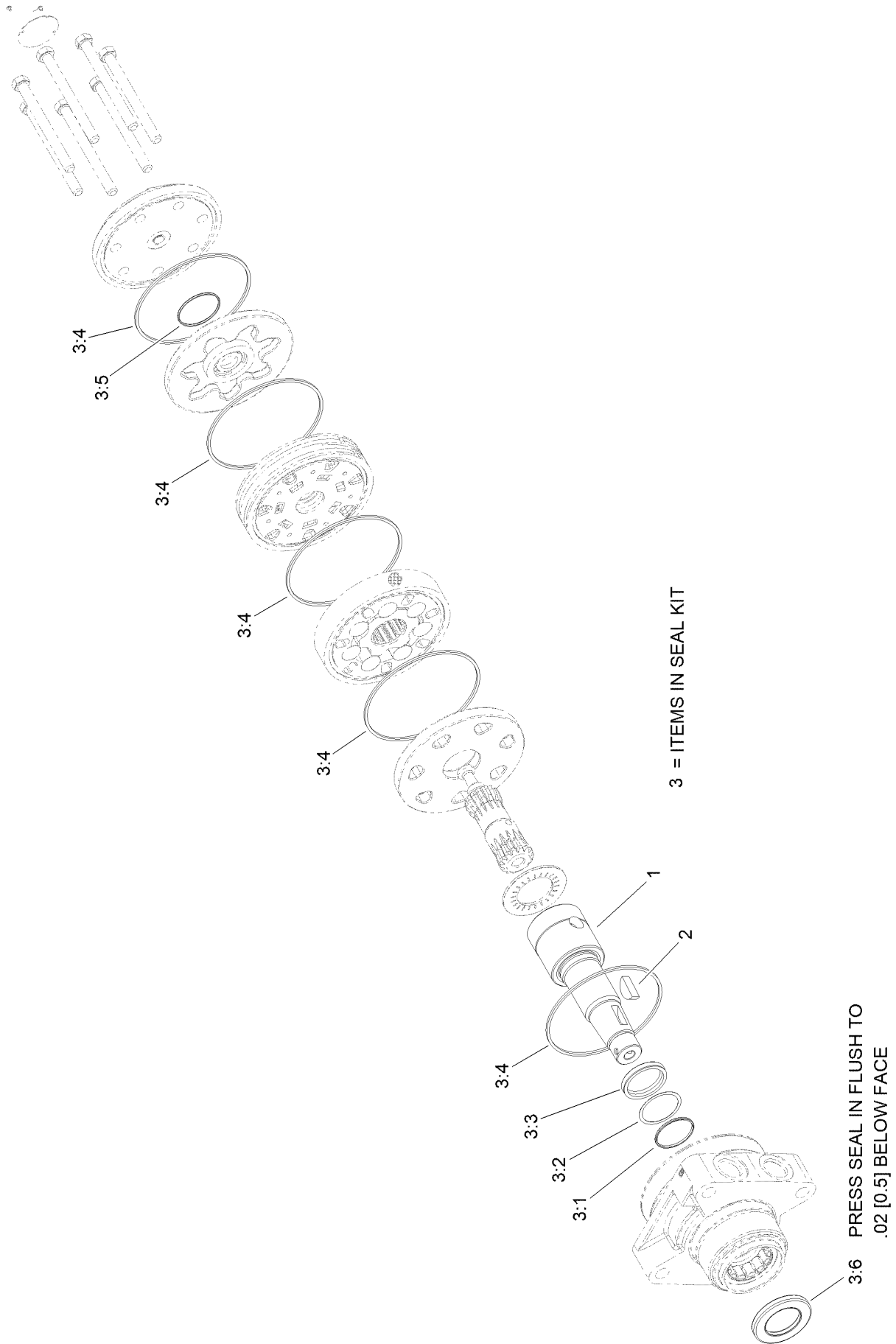


Hydraulic Cylinder Assembly No. 121-3653 (continued)

<i>Ref.</i>	<i>Part Number</i>	<i>Qty.</i>	<i>Description</i>	<i>Ref.</i>	<i>Part Number</i>	<i>Qty.</i>	<i>Description</i>
1	136-3278	1	Seal Kit	1:7		1	O-Ring ●
1:1		1	O-Ring ●	2		1	Rod ●
1:2		1	Backup ●	3		1	Piston ●
1:3		1	Psp Seal ●	4		1	Head ●
1:4		1	Wear Ring ●	5		1	Lock Nut ●
1:5		1	Bt Seal ●	6		1	Retaining Ring ●
1:6		1	Dust Seal ●	7		1	Square O-Ring ●

● Not serviced separately

Hydraulic Motor Assembly No. 95-8694

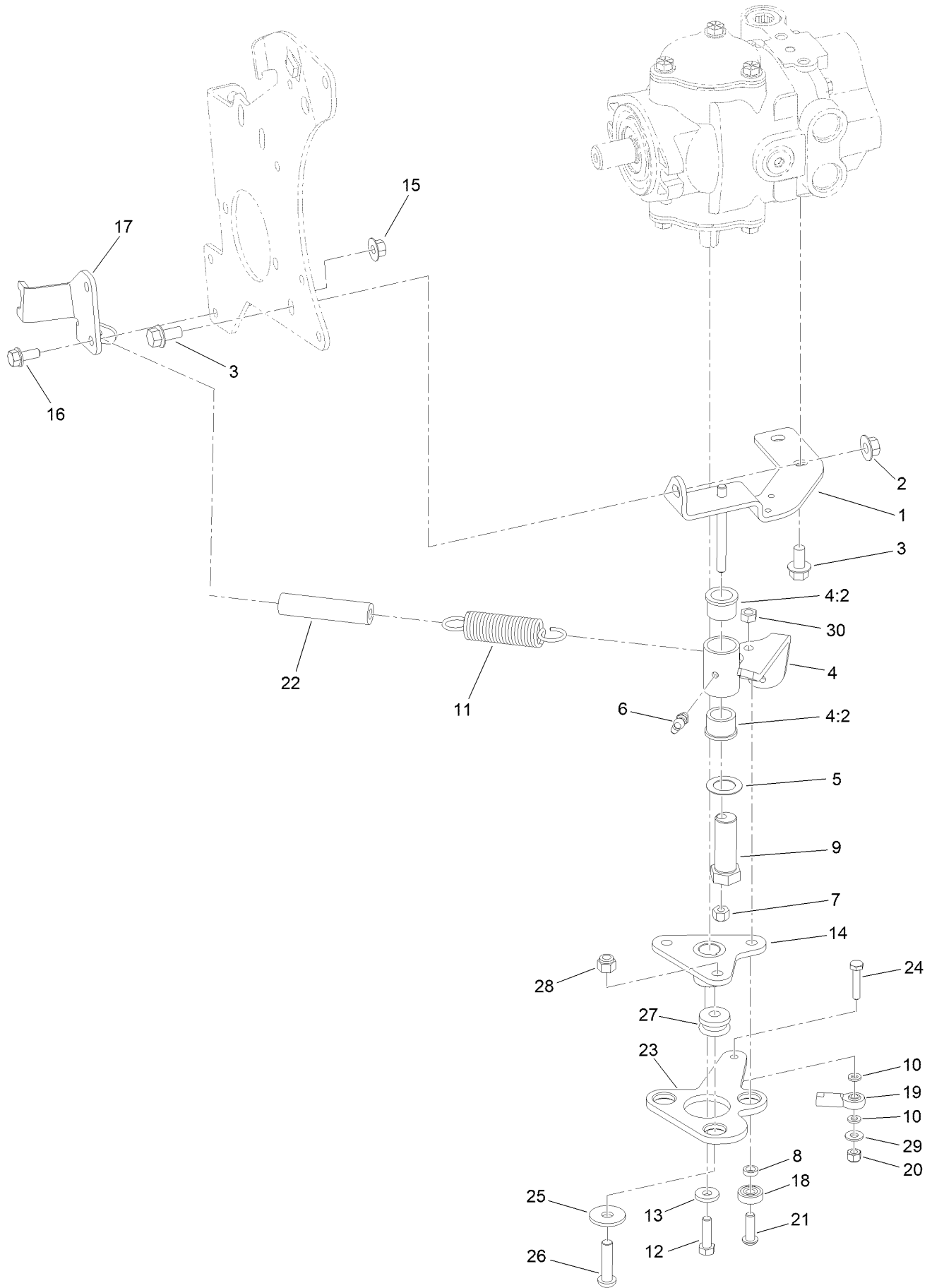


Hydraulic Motor Assembly No. 95-8694 (continued)

<i>Ref.</i>	<i>Part Number</i>	<i>Qty.</i>	<i>Description</i>	<i>Ref.</i>	<i>Part Number</i>	<i>Qty.</i>	<i>Description</i>
1	99-3090	1	Shaft-Coupling	3:3		1	Seal-Shaft ●
2	3257-42	1	Key-Woodruff	3:4		5	Seal-Ring ●
3	100-6131	1	Seal Kit	3:5		1	Seal-Commutator ●
3:1		1	Ring-Back Up ●	3:6		1	Seal-Dirt And Water ●
3:2		1	Washer-Back Up ●				

● Not serviced separately

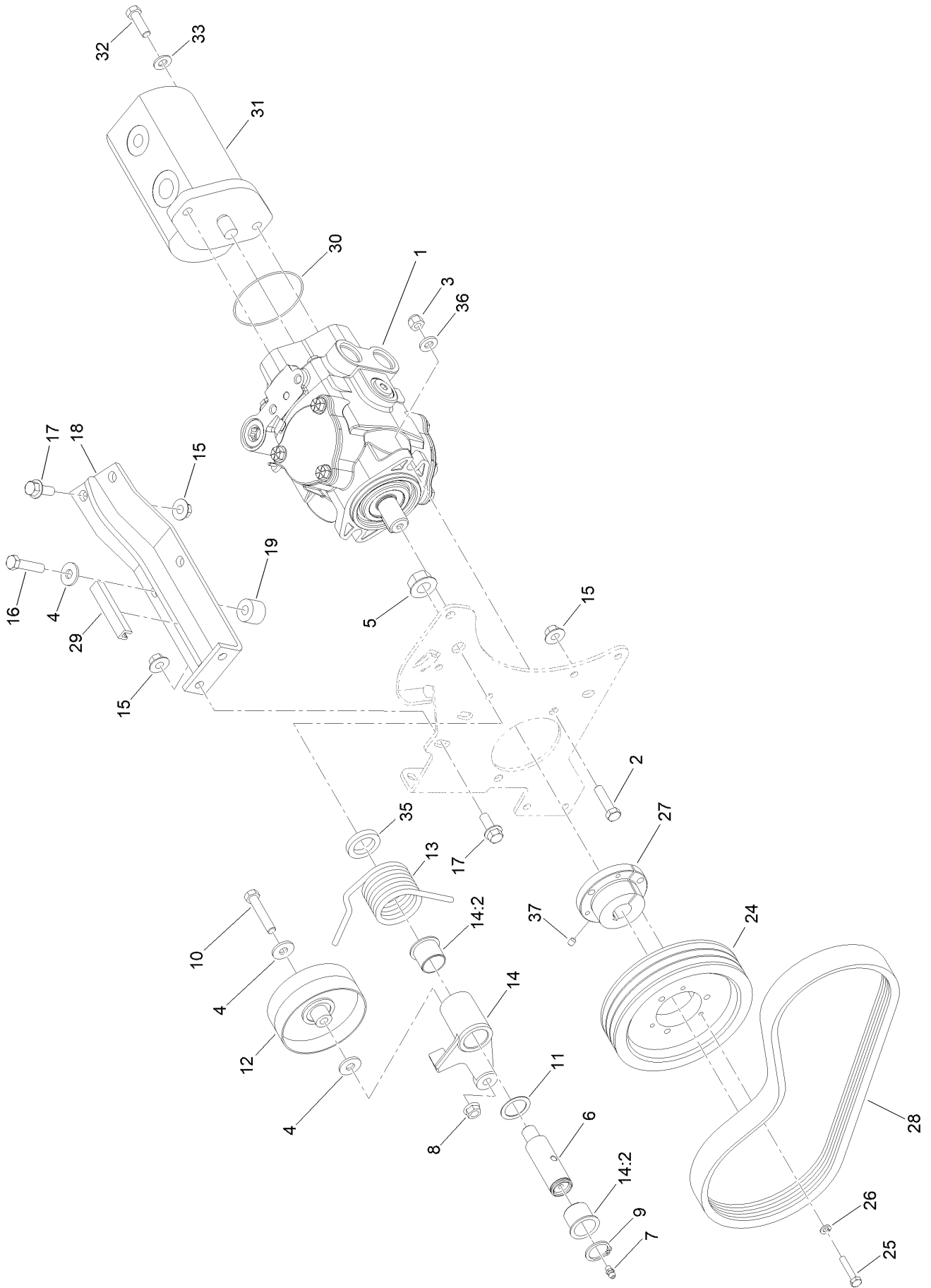
Neutral Arm Assembly



Neutral Arm Assembly (continued)

<i>Ref.</i>	<i>Part Number</i>	<i>Qty.</i>	<i>Description</i>	<i>Ref.</i>	<i>Part Number</i>	<i>Qty.</i>	<i>Description</i>
1	95-8960-0P	1	Bracket-Neutral	16	3234-5	2	Screw-HHF
2	32128-43	1	Nut-Flange	17	104-0464-03	1	Bracket-Support, Cable
3	3234-1	3	Screw-HHF	18	251-259	1	Bearing-Ball
4	104-0422	1	Neutral Arm ASM	19	2411-41	1	Rod End-Ball Joint
4:2	256-113	2	Bushing-Flange	20	3296-42	1	Nut-Lock, NI
5	3-6498	1	Washer-Thrust	21	3274-104	1	Screw-HSBH
6	302-60	1	Fitting-Grease	22	99-3556	1	Hose
7	3296-29	1	Nut-Lock, NI	23	99-3594-0P	1	Lever-Pump
8	100-4817	1	Spacer	24	321-8	1	Screw-HH
9	76-8640	1	Stud-Traction	25	2844	3	Washer
10	33093-00	2	Washer-Flat	26	95-3857	3	Screw-HSBH
11	145-5262	1	Spring-Extension	27	63-9750	3	Mount
12	3210-6	1	Screw-HH	28	3296-39	3	Nut-Lock, NI
13	88-7200	1	Washer-Flat	29	3256-22	1	Washer-Flat
14	120-5566	1	Hub	30	32153-3	1	Nut-Hex, Side Deform
15	32128-44	2	Nut				

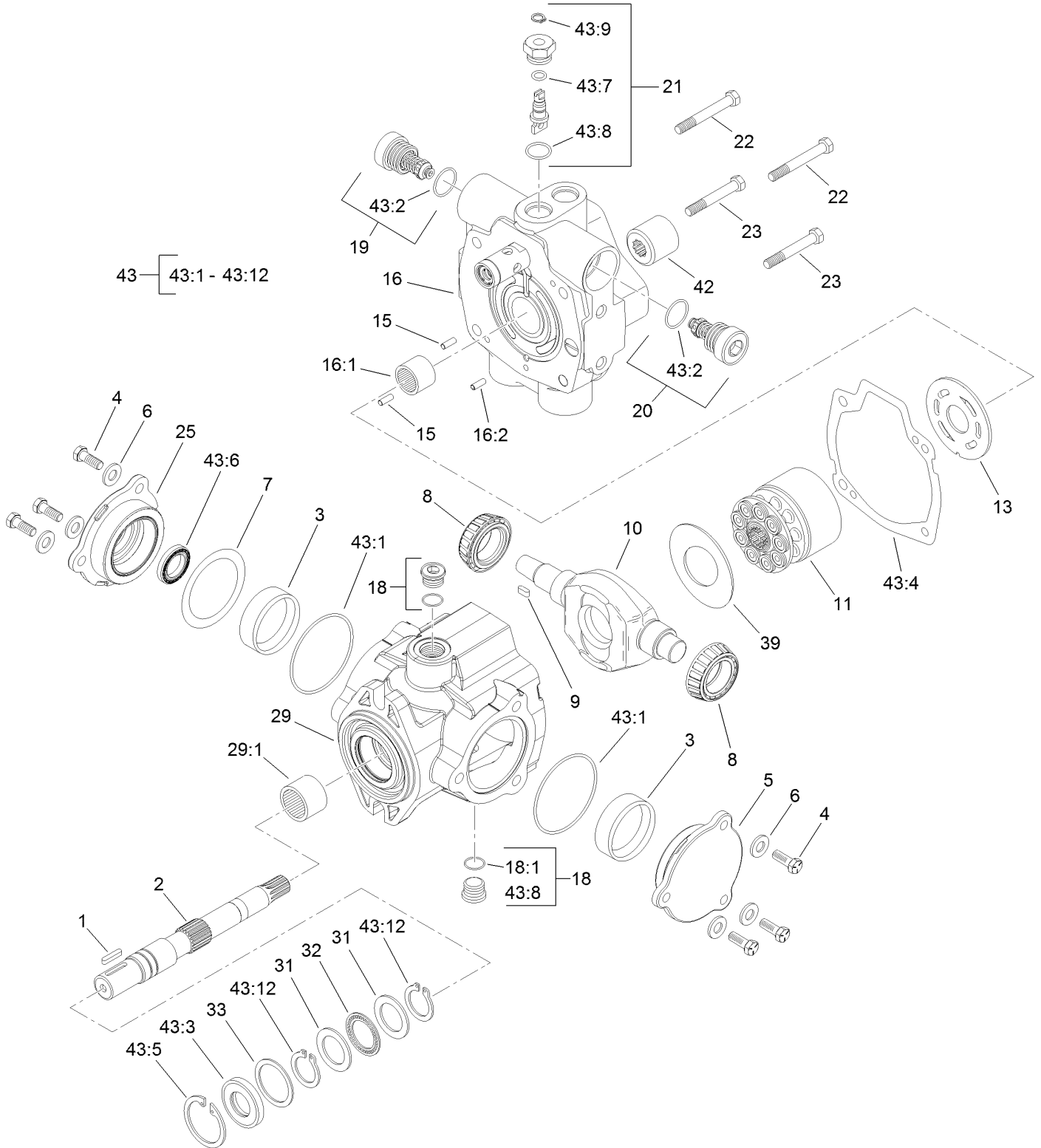
Gear Pump and Piston Pump Assembly



Gear Pump and Piston Pump Assembly (continued)

<i>Ref.</i>	<i>Part Number</i>	<i>Qty.</i>	<i>Description</i>	<i>Ref.</i>	<i>Part Number</i>	<i>Qty.</i>	<i>Description</i>
1	104-4890	1	Piston Pump ASM	17	3234-11	4	Screw-HHF
2	323-8	2	Screw-HH	18	99-3436-0P	1	Support-Pump
3	3296-39	2	Nut-Lock, NI	19	99-3440	2	Spacer
4	80-6990	4	Washer-Hardened	24	120-3350	1	Pulley-3V
5	32128-54	1	Nut-HF	25	321-13	3	Screw-HH
6	99-3624	1	Shaft-Pivot, Idler	26	3253-3	3	Washer-Lock
7	302-5	1	Fitting-Grease	27	100-4813	1	Bushing-Lock, Taper
8	32128-21	1	Nut-HF Lock	28	120-3351	1	Belt-3V
9	32151-36	1	Ring-Retaining	29	70-2041	1	Trim - Edge
10	323-10	1	Screw-HH	30	353-949	1	O-Ring
11	74-1810	1	Washer	31	108-9036	1	HYD Gear Pump ASM
12	139-6031	1	Pulley-Idler	32	323-7	2	Screw-HH
13	115-3488	1	Spring-Torsion	33	3256-24	2	Washer-Plain
14	137-1653	1	Idler Arm ASM	35	99-3625	1	Spacer-Arm, Idler
14:2	126-1963	2	Bushing-Pivot	36	100-4852	2	Washer-Hardened
15	32128-43	4	Nut-Flange	37	3245-7	1	Screw-Set
16	323-19	2	Screw-HH				

Hydraulic Pump Assembly No. 104-4890



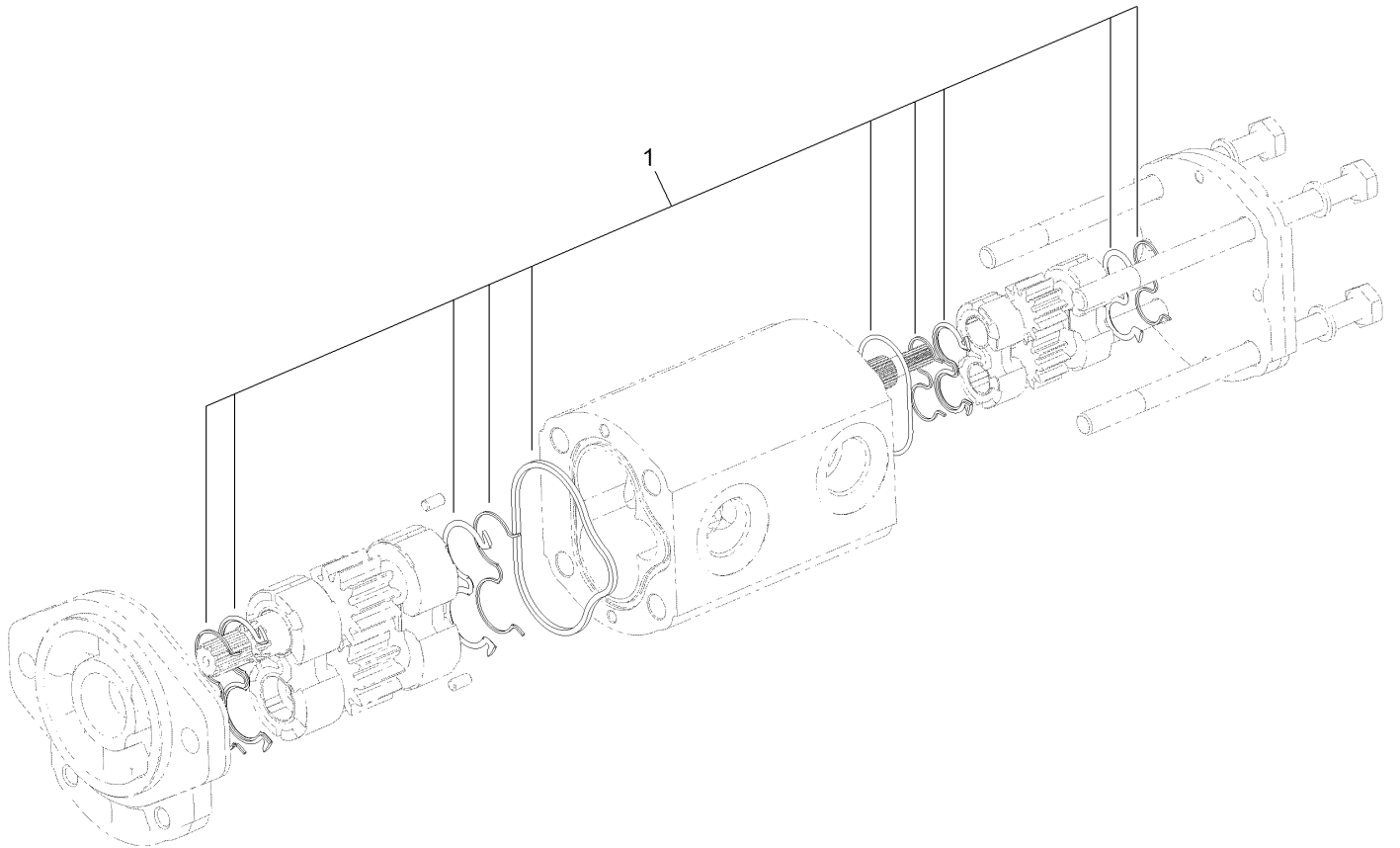
Hydraulic Pump Assembly No. 104-4890 (continued)

<i>Ref.</i>	<i>Part Number</i>	<i>Qty.</i>	<i>Description</i>	<i>Ref.</i>	<i>Part Number</i>	<i>Qty.</i>	<i>Description</i>
1	94-3645	1	Key	25	98-4645	1	Plate-Cover
2	94-6359	1	Shaft-Drive	29	100-3176	1	Housing ASM
3	104-4046	2	Bearing-Cup	29:1	94-6363	1	Bearing
4	98-4640	6	Screw-Cap	31	252-71	2	Washer-Thrust
5	98-4644	1	Plate-Cover	32	252-66	1	Bearing-Thrust
6	105-9762	6	Washer	33	33-3720	1	Washer
7	100-3182	2	Shim Kit	39	98-4635	1	Insert-Plate, Cam
8	98-4639	2	Bearing-Cone	42	74-9040	1	Coupler
9	94-3646	1	Key	43	120-5754	1	Seal Kit
10	104-4888	1	Swashplate	43:1		2	O-Ring ■
11	76-6070	1	Rotating Kit	43:2		2	O-Ring ■
13	104-0429	1	Plate-Valve	43:3		1	Seal-Shaft ■
15	76-6150	2	Pin-Dowel	43:4		1	Gasket ■
16	105-3813	1	Endcover Sub ASM	43:5		1	Ring-Retaining ■
16:1	94-6368	1	Bearing	43:6		1	Seal-Shaft ■
16:2		1	Pin-Roll ■	43:7		1	O-Ring ■
18	74-9280	2	Plug ASM	43:8		5	O-Ring ■
18:1		1	O-Ring ■	43:9		1	Ring-Retaining ■
19	104-4889	1	Relief Valve ASM	43:10		1	O-Ring ●■
20	105-3812	1	Valve-Check	43:11		1	O Ring-Molded ●■
21	105-3811	1	Valve-Bypass	43:12		2	Ring-Retaining ■
22	76-6170	2	Capscrew	43:13		1	O-Ring ■●
23	76-6160	2	Capscrew				

● Not illustrated

■ Not serviced separately

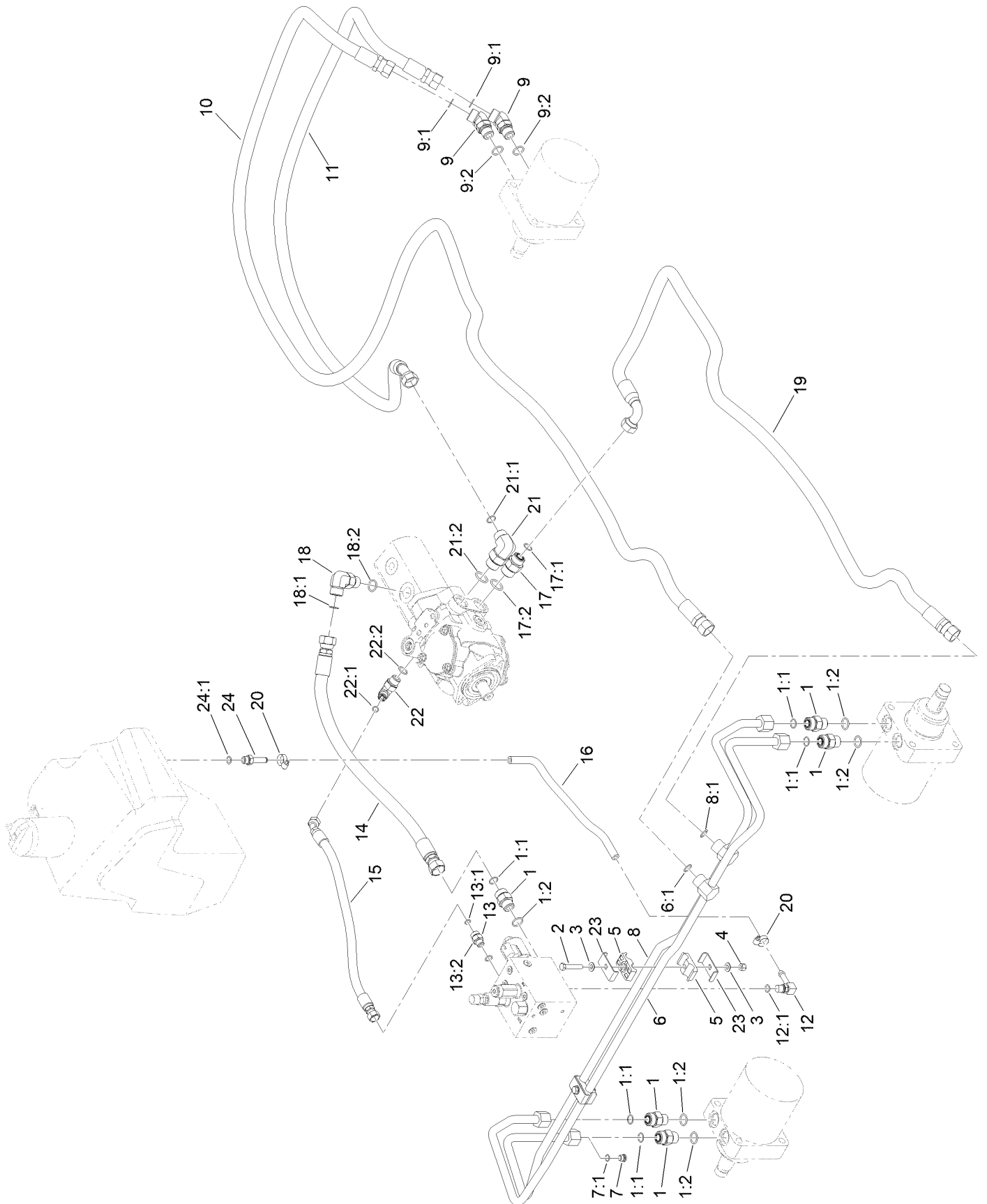
Hydraulic Gear Pump Assembly No. 108-9036



Hydraulic Gear Pump Assembly No. 108-9036 (continued)

<i>Ref.</i>	<i>Part Number</i>	<i>Qty.</i>	<i>Description</i>
1	110-8755	1	Seal Kit

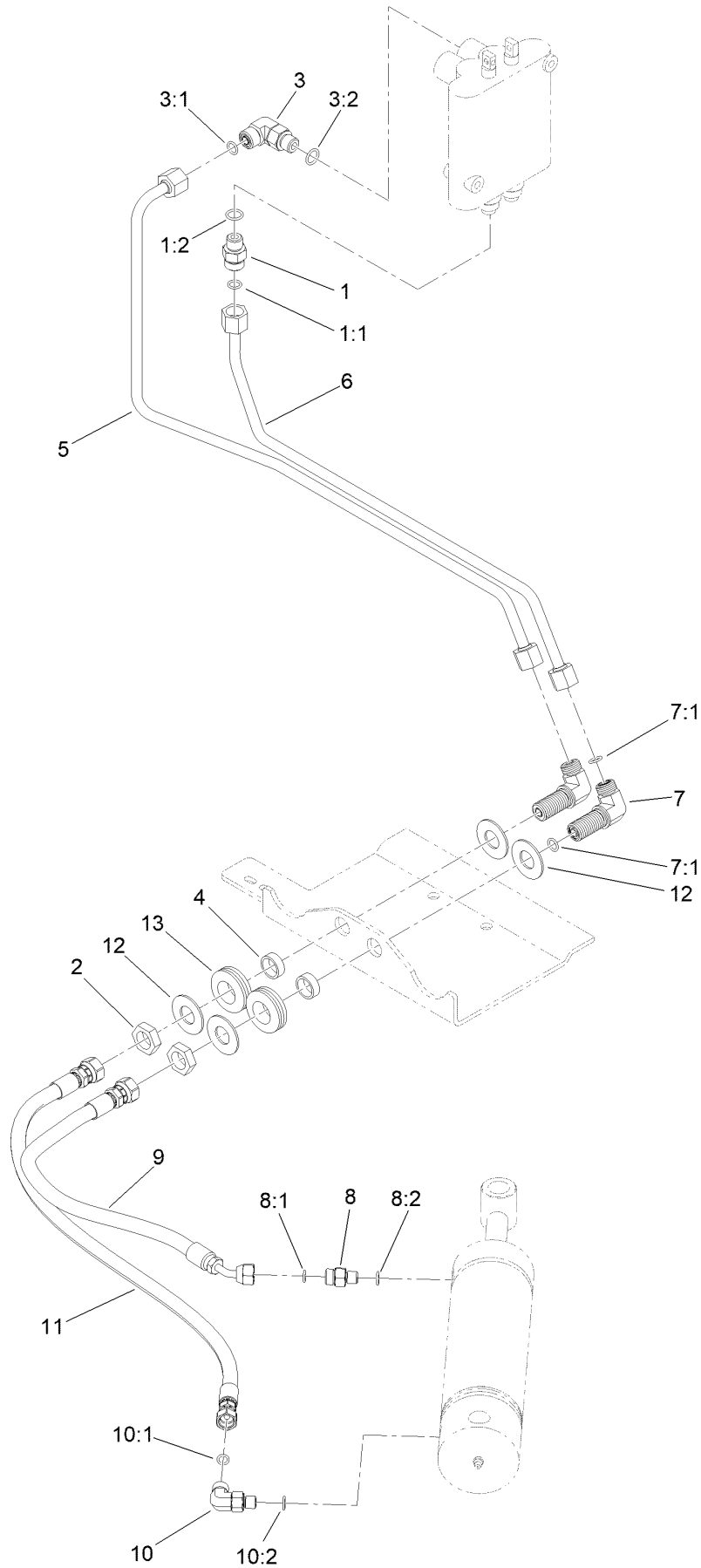
Traction Hydraulic Assembly



Traction Hydraulic Assembly (continued)

<i>Ref.</i>	<i>Part Number</i>	<i>Qty.</i>	<i>Description</i>	<i>Ref.</i>	<i>Part Number</i>	<i>Qty.</i>	<i>Description</i>
1	340-7	5	Fitting-Straight	13:2	237-42	1	O-Ring
1:1	237-65	1	O-Ring	14	104-0488	1	Hose-HYD
1:2	237-80	1	O-Ring	15	92-7595	1	Hose-HYD
2	322-9	2	Screw-HH	16	80-7342	1	Hose-HYD
3	3256-23	4	Washer-Plain	17	340-8	1	Fitting-Straight
4	3296-29	2	Nut-Lock, NI	17:1	237-65	1	O-Ring
5	56-7971	4	Clamp-Tube	17:2	237-81	1	O-Ring
6	95-8783	1	Tube ASM	18	340-17	1	Fitting-Elbow, 90 DEG
6:1	237-65	1	O-Ring	18:1	237-65	1	O-Ring
7	353-990	1	Plug ASM	18:2	237-80	1	O-Ring
7:1	237-78	1	O-Ring	19	105-1214	1	Hose-HYD
8	95-8784	1	Tube ASM	20	2412-36	2	Clamp-Hose
8:1	237-65	1	O-Ring	21	340-139	1	Fitting-Elbow 90
9	340-14	2	Fitting-HYD, 45 DEG	21:1	237-81	1	O-Ring
9:1	237-65	1	O-Ring	21:2	237-65	1	O-Ring
9:2	237-80	1	O-Ring	22	340-18	1	Fitting-HYD, 90 DEG
10	105-1213	1	Hose-HYD	22:1	237-79	1	O-Ring
11	105-1212	1	Hose-HYD	22:2	237-22	1	O-Ring
12	100-4887	1	Fitting-Elbow, 90	23	119-1419	4	Plate-Clamp
12:1	237-42	1	O-Ring	24	353-979	1	Fitting-STR
13	340-2	1	Fitting-Straight	24:1	237-42	1	O-Ring
13:1	237-22	1	O-Ring				

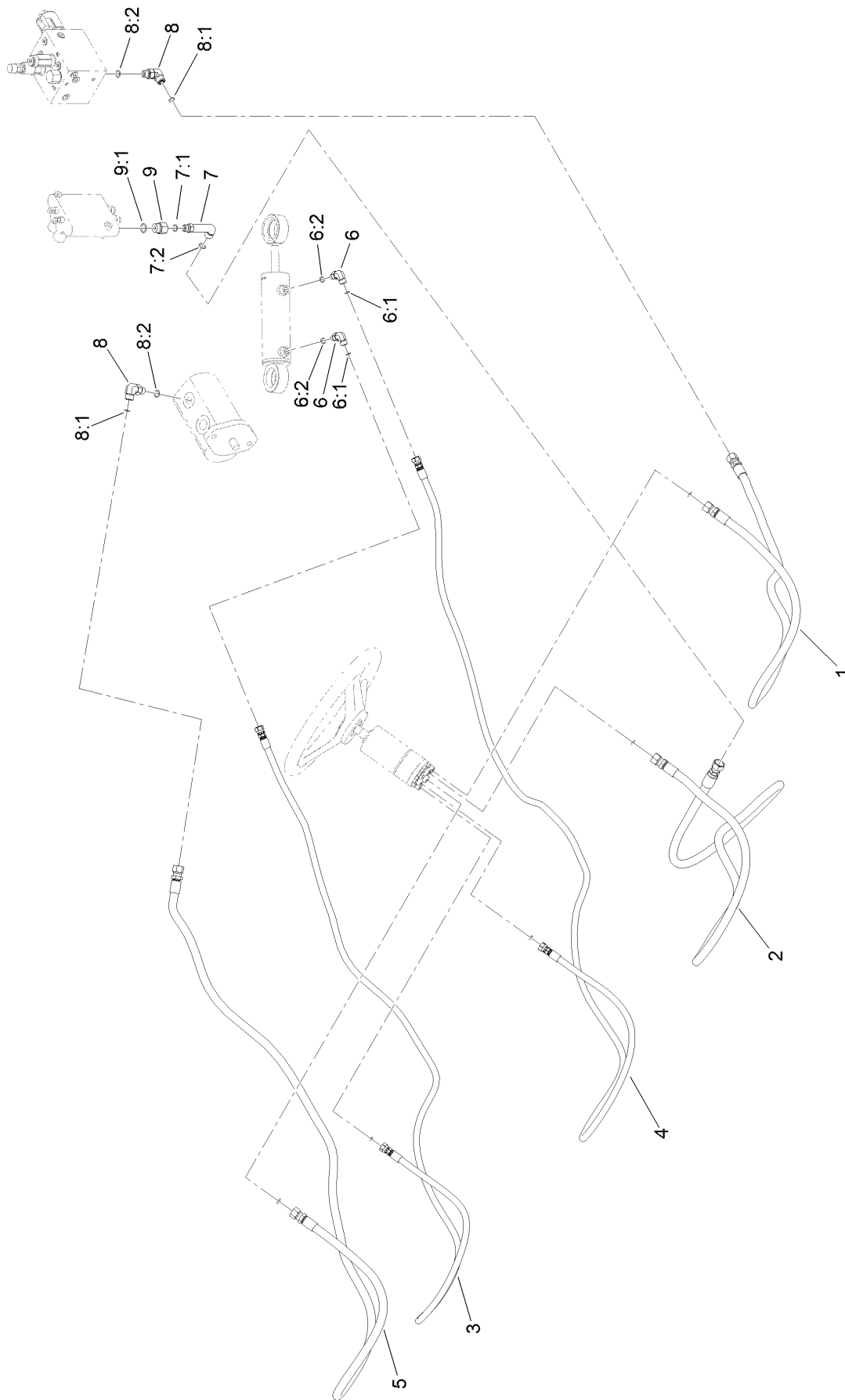
Lift Hydraulic Assembly



Lift Hydraulic Assembly (continued)

<i>Ref.</i>	<i>Part Number</i>	<i>Qty.</i>	<i>Description</i>	<i>Ref.</i>	<i>Part Number</i>	<i>Qty.</i>	<i>Description</i>
1	340-2	1	Fitting-Straight	7:1	237-22	2	O-Ring
1:1	237-22	1	O-Ring	8	85-9720	1	Fitting-STR, Orifice
1:2	237-42	1	O-Ring	8:1	237-78	1	O-Ring
2	340-70	2	Nut-Lock	8:2	237-21	1	O-Ring
3	340-77	1	Fitting-Elbow, 90 DEG	9	95-8838	1	Hose-HYD
3:1	237-22	1	O-Ring	10	340-132	1	Fitting-Elbow, 90 DEG
3:2	237-42	1	O-Ring	10:1	237-78	1	O-Ring
4	69-8970	2	Spacer	10:2	237-21	1	O-Ring
5	95-8790	1	Tube-HYD	11	95-8839	1	Hose-HYD
6	95-8791	1	Tube-HYD	12	69-8940	4	Washer
7	340-154	2	Union-Bulkhead	13	240-4	2	Grommet-Rubber

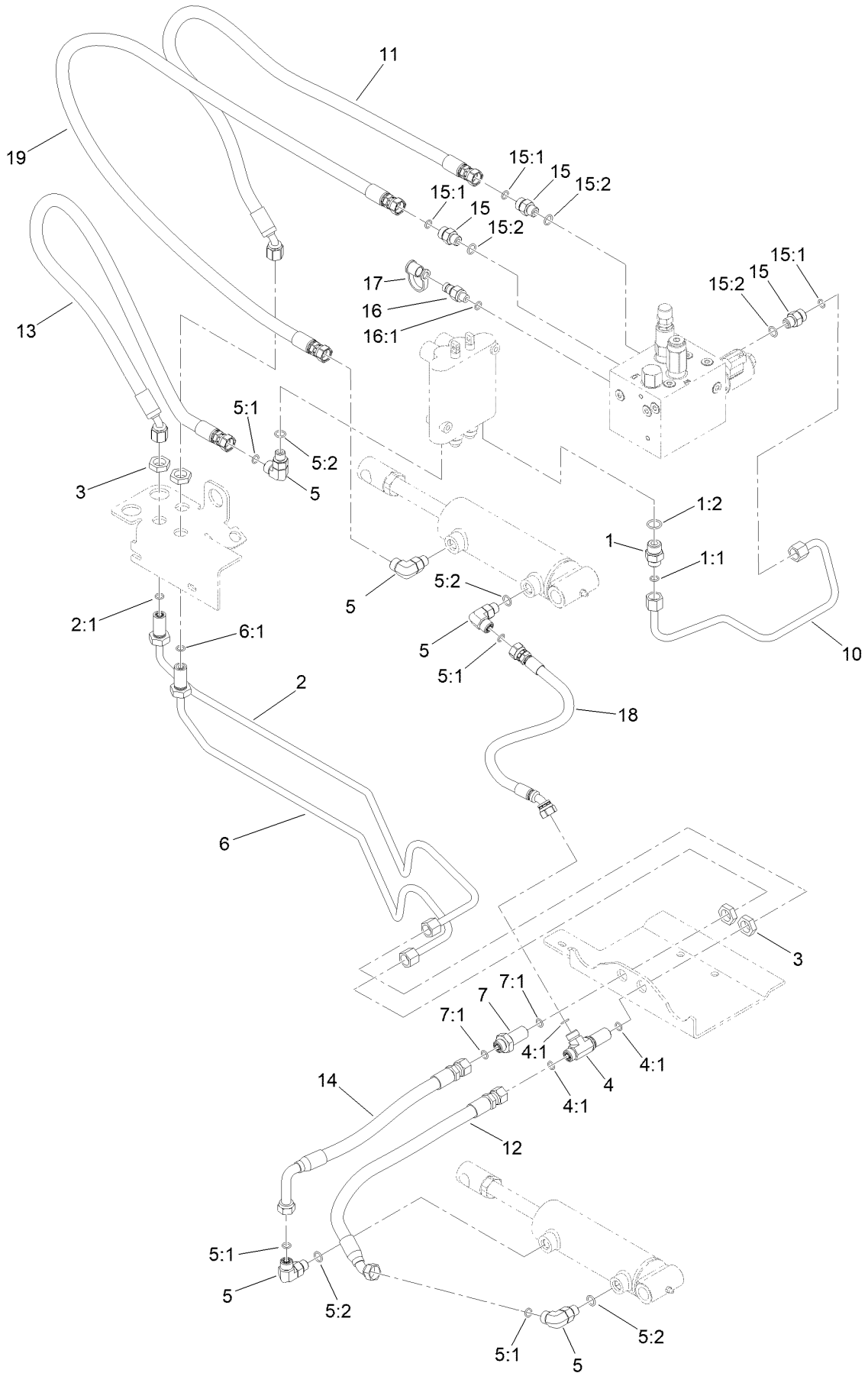
Steering Hydraulic Assembly



Steering Hydraulic Assembly (continued)

<i>Ref.</i>	<i>Part Number</i>	<i>Qty.</i>	<i>Description</i>	<i>Ref.</i>	<i>Part Number</i>	<i>Qty.</i>	<i>Description</i>
1	95-8842	1	Hose-HYD	7	69-4320	1	Fitting-HYD, 90 DEG
2	95-8843	1	Hose-HYD	7:1	237-22	1	O-Ring
3	100-4892	1	Hose-HYD	7:2	237-42	1	O-Ring
4	100-4893	1	Hose-HYD	8	340-77	2	Fitting-Elbow, 90 DEG
5	95-8846	1	Hose-HYD	8:1	237-22	1	O-Ring
6	340-132	2	Fitting-Elbow, 90 DEG	8:2	237-42	1	O-Ring
6:1	237-78	1	O-Ring	9	353-397	1	Reducer-Adapter
6:2	237-21	1	O-Ring	9:1	237-79	1	O-Ring

Sidewinder Hydraulic Assembly

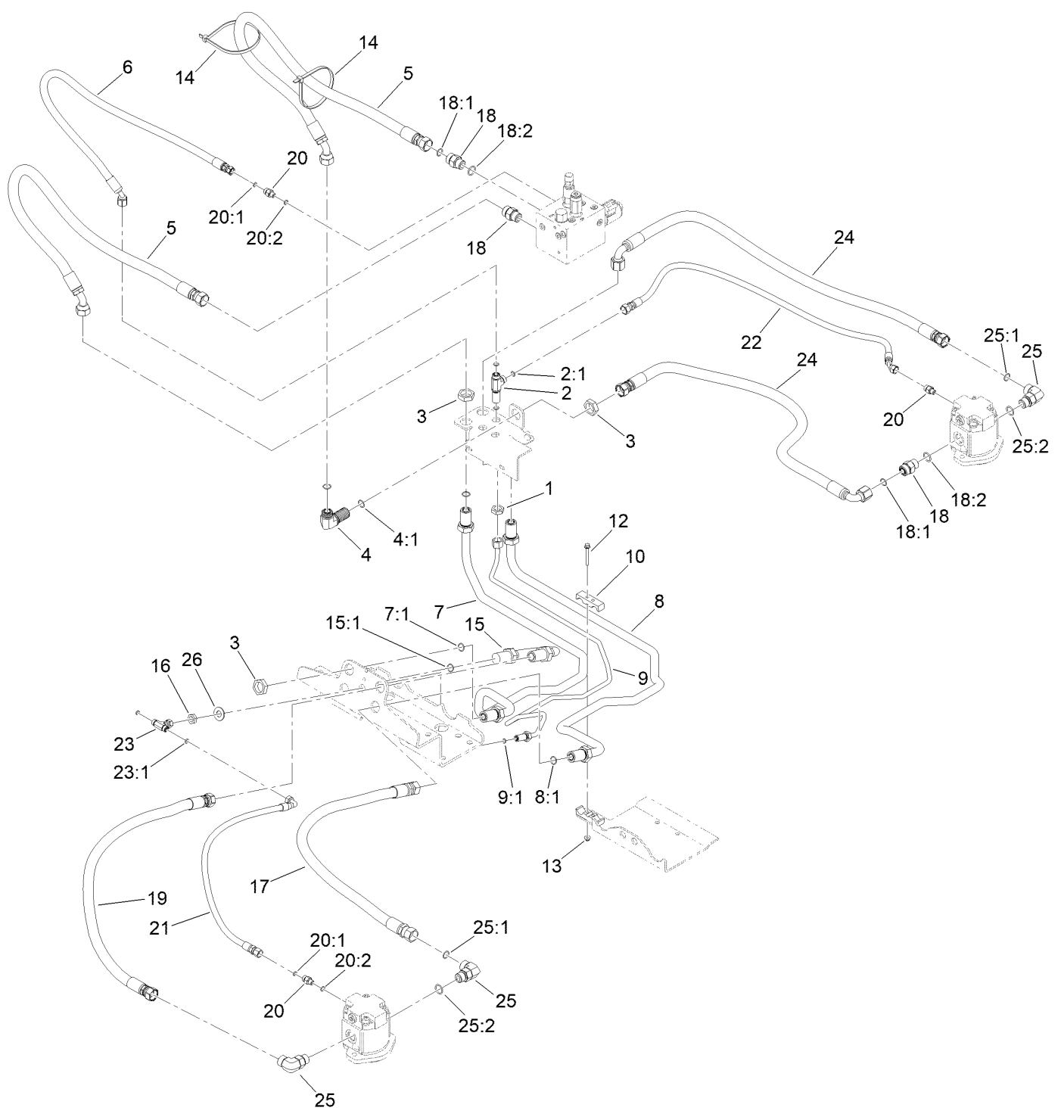


Sidewinder Hydraulic Assembly (continued)

<i>Ref.</i>	<i>Part Number</i>	<i>Qty.</i>	<i>Description</i>	<i>Ref.</i>	<i>Part Number</i>	<i>Qty.</i>	<i>Description</i>
1	340-3	1	Fitting-Straight	7:1	237-22	2	O-Ring
1:1	237-22	1	O-Ring	10	100-4827	1	Tube-HYD
1:2	237-79	1	O-Ring	11	95-8822	1	Hose-HYD
2	104-0402	1	Tube-HYD	12	104-0405	1	Hose-HYD
2:1	237-22	1	O-Ring	13	95-8822	1	Hose-HYD
3	340-70	4	Nut-Lock	14	104-0406	1	Hose-HYD
4	340-68	1	Fitting-Tee, Bulkhead	15	340-2	3	Fitting-Straight
4:1	237-22	3	O-Ring	15:1	237-22	1	O-Ring
5	340-77	5	Fitting-Elbow, 90 DEG	15:2	237-42	1	O-Ring
5:1	237-22	1	O-Ring	16	354-77	1	Fitting-Quick
5:2	237-42	1	O-Ring	16:1	237-78	1	O-Ring ●
6	104-0403	1	Tube ASM	17	354-79	1	Cap-Dust
6:1	237-22	1	O-Ring	18	104-0407	1	Hose-HYD
7	340-71	1	Fitting-Straight, Bulkhead	19	100-4891	1	Hose-HYD

● Not illustrated

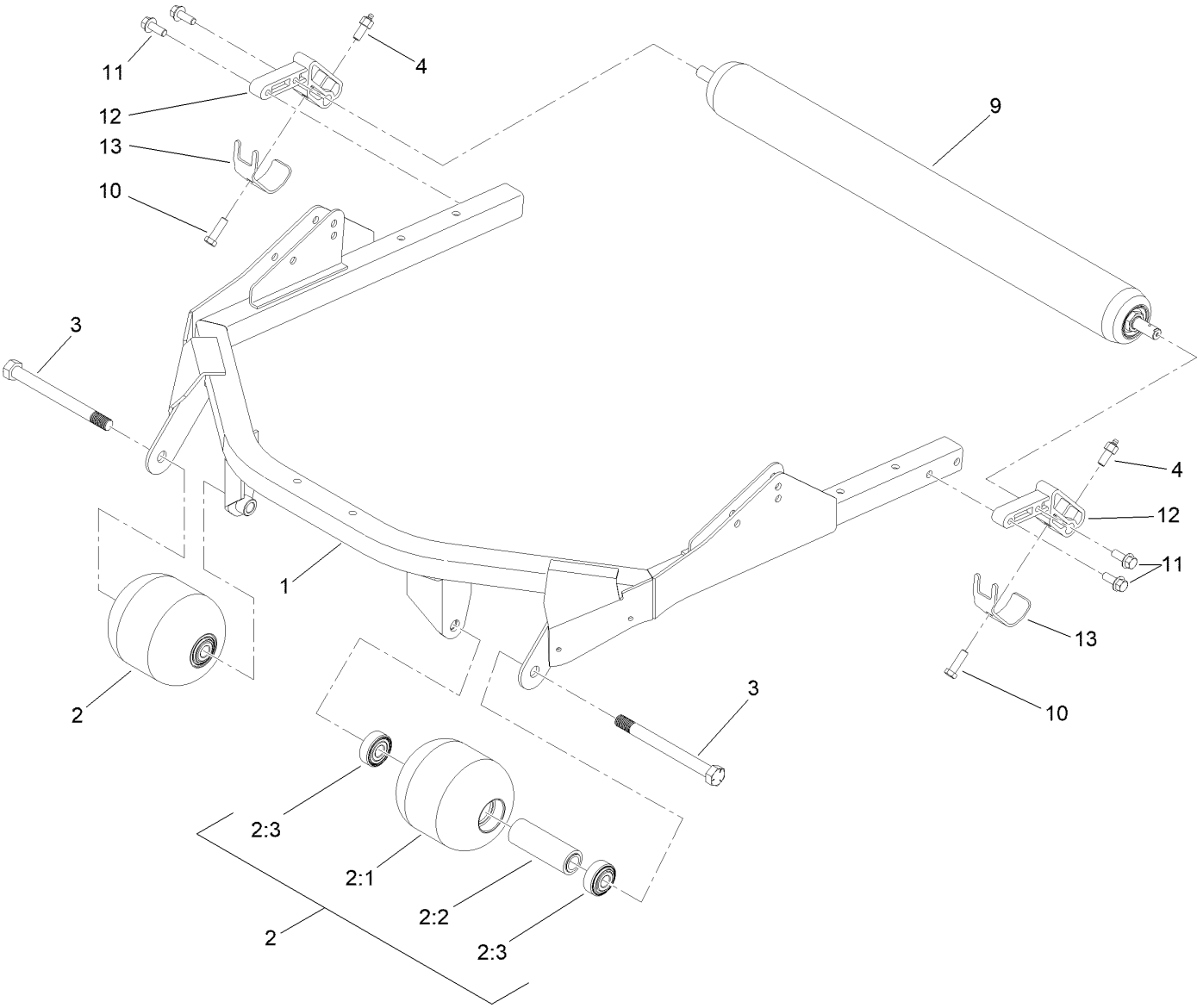
Hydraulic Mow Circuit Plumbing Assembly



Hydraulic Mow Circuit Plumbing Assembly (continued)

<i>Ref.</i>	<i>Part Number</i>	<i>Qty.</i>	<i>Description</i>	<i>Ref.</i>	<i>Part Number</i>	<i>Qty.</i>	<i>Description</i>
1	340-70	1	Nut-Lock	15:1	237-65	2	O-Ring
2	340-68	1	Fitting-Tee, Bulkhead	16	340-78	1	Nut-Lock
2:1	237-22	3	O-Ring	17	105-1216	2	Hose-HYD
3	340-74	7	Nut-Lock, Bulkhead	18	340-7	3	Fitting-Straight
4	340-72	1	Fitting-Bulkhead, 90 DEG	18:1	237-65	1	O-Ring
4:1	237-65	2	O-Ring	18:2	237-80	1	O-Ring
5	100-4879	2	Hose-HYD	19	105-1215	2	Hose-HYD
6	115-3411	1	Hose-HYD	20	340-92	4	Fitting-Straight
7	104-0401	1	Tube ASM	20:1	237-78	1	O-Ring
7:1	237-65	2	O-Ring	20:2	237-21	1	O-Ring
8	104-0400	1	Tube ASM	21	104-1080	2	Hose-HYD
8:1	237-65	2	O-Ring	22	100-4876	1	Hose-HYD
9	104-0404	1	Tube ASM	23	99-3477	1	Fitting-Tee
9:1	237-21	1	O-Ring	23:1	237-21	2	O-Ring
10	99-3641	2	Clamp-Tube	24	100-4880	2	Hose-HYD
12	3234-34	2	Screw-HHF	25	340-17	5	Fitting-Elbow, 90 DEG
13	104-7201	2	Nut-HF, NI	25:1	237-65	1	O-Ring
14	3334-945	2	Tie-Cable	25:2	237-80	1	O-Ring
15	99-3640	1	Tube ASM	26	69-8980	1	Washer

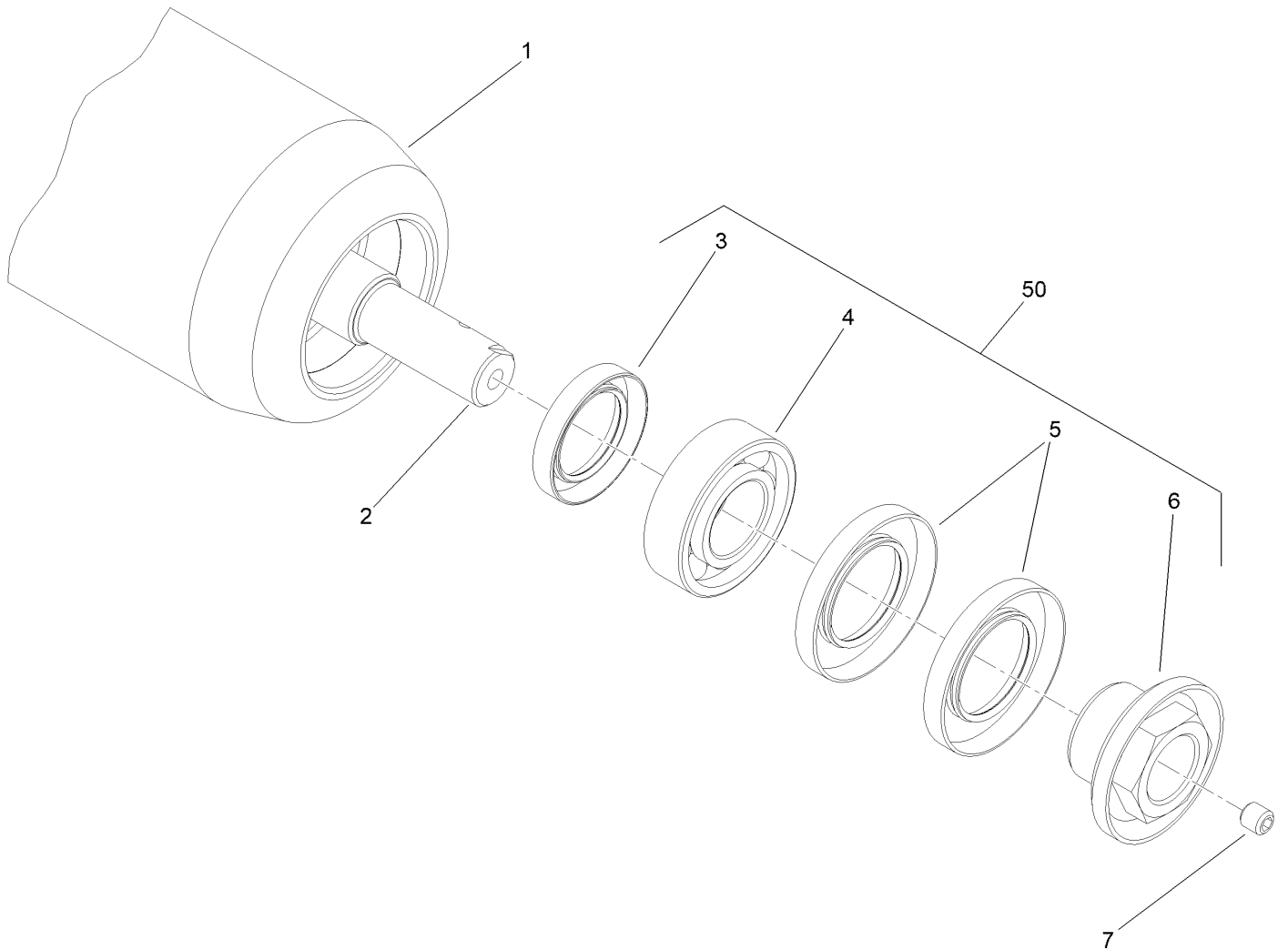
Roller and Carrier Frame Assembly



Roller and Carrier Frame Assembly (continued)

<i>Ref.</i>	<i>Part Number</i>	<i>Qty.</i>	<i>Description</i>	<i>Ref.</i>	<i>Part Number</i>	<i>Qty.</i>	<i>Description</i>
1	100-5780-03	1	Frame-Deck	4	127-6422	2	Screw-Grease, Roller
2	136-2908	2	Roller ASM	9	137-6141	1	Rear Roller ASM
2:1	104-1093	1	Roller	10	323-7	2	Screw-HH
2:2	100-5762	1	Spacer-Bearing	11	3234-11	4	Screw-HHF
2:3	120-3366	2	Bearing	12	112-5268	2	Mount-Roller
3	136-2924	2	Screw-HH	13	107-7816	2	Bracket-Skid

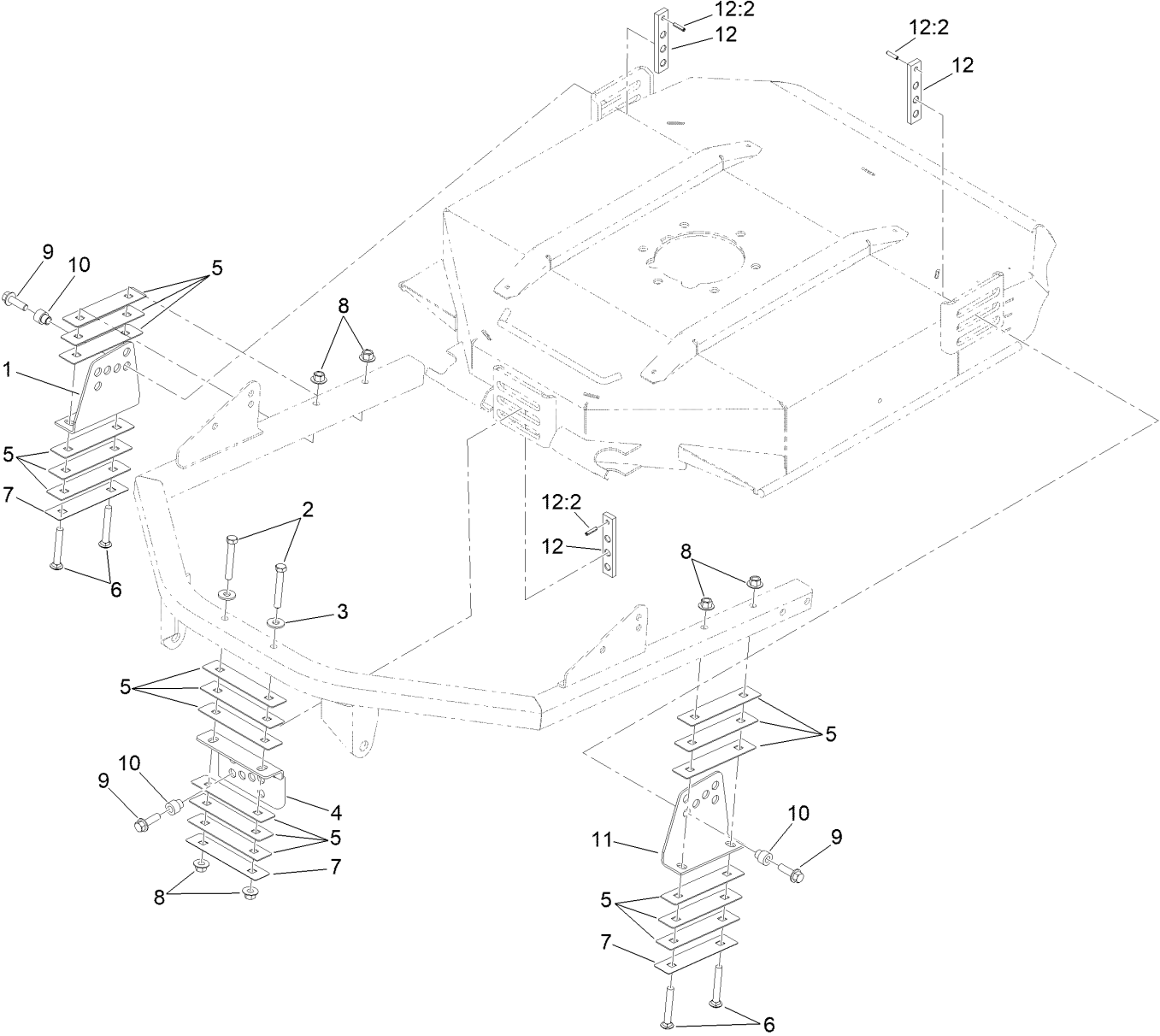
Rear Roller Assembly No. 137-6141



Rear Roller Assembly No. 137-6141 (continued)

<i>Ref.</i>	<i>Part Number</i>	<i>Qty.</i>	<i>Description</i>	<i>Ref.</i>	<i>Part Number</i>	<i>Qty.</i>	<i>Description</i>
1	137-6140	1	Tube-Roller	5	112-7494	4	Seal
2	117-5100	1	Shaft-Roller, Rear	6	114-5411	2	Nut-Lock, Bearing
3	114-3717	2	Seal-Oil	7	108-0989	2	Screw-Set
4	112-5290	2	Bearing-Steel, Stainless	50	114-5430	1	Roller Rebuild Kit

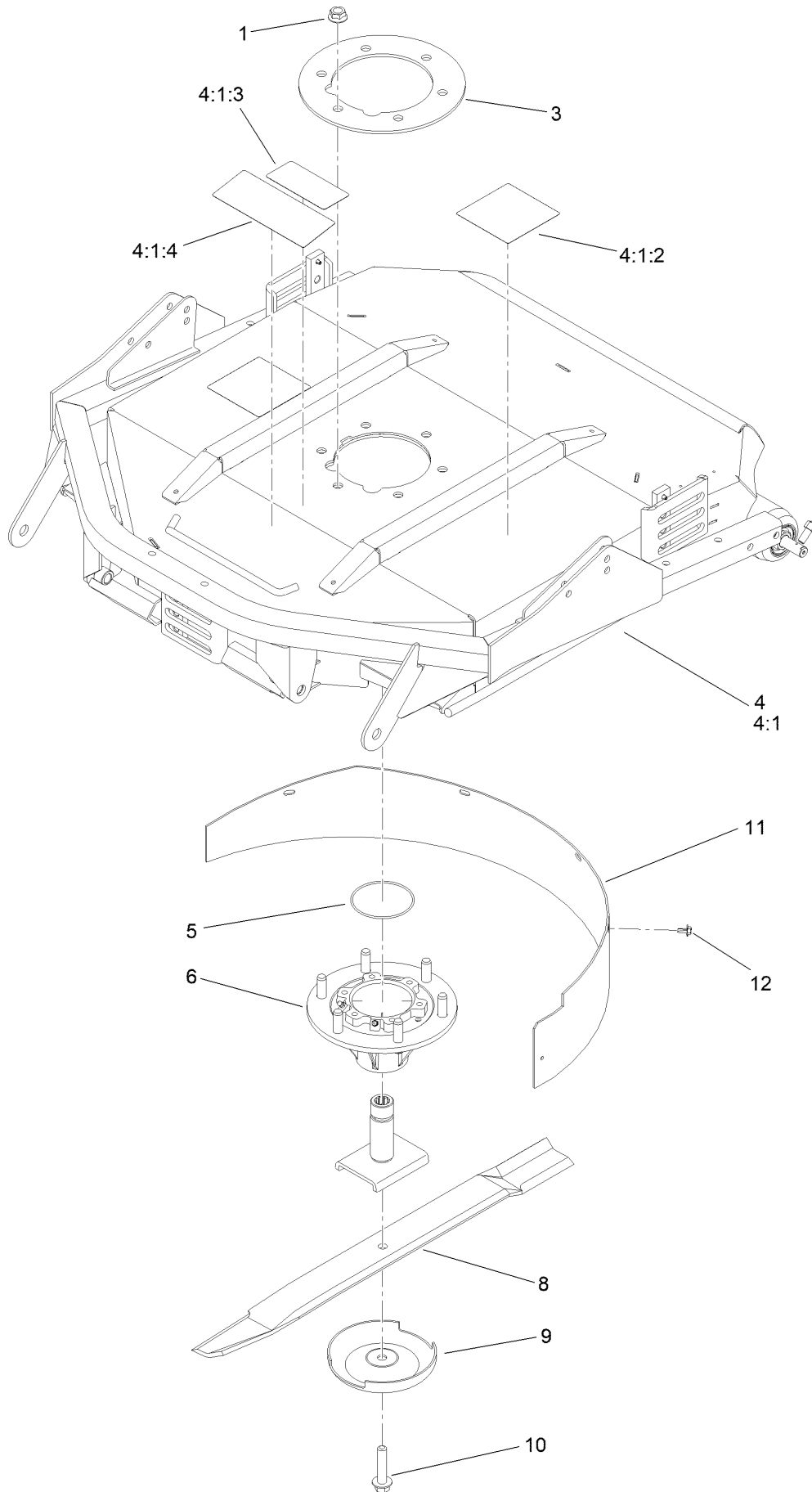
Height-of-Cut Bracket Assembly



Height-of-Cut Bracket Assembly (continued)

<i>Ref.</i>	<i>Part Number</i>	<i>Qty.</i>	<i>Description</i>	<i>Ref.</i>	<i>Part Number</i>	<i>Qty.</i>	<i>Description</i>
1	100-5797-03	1	Bracket-HOC, RH	8	32128-43	6	Nut-Flange
2	323-12	2	Screw-HH	9	3234-24	3	Screw-HHF
3	80-6990	2	Washer-Hardened	10	121-3575	3	Spacer-HOC
4	104-1052-03	1	Bracket-HOC, Front	11	104-4624-03	1	Bracket-HOC, LH
5	100-5799	18	Shim-HOC, .060 Inch	12	136-2921	3	HOC Plate ASM
6	3231-9	4	Screw-CARR	12:2	32121-5	1	Pin-Spring
7	104-4641	3	Shim-HOC, .030 Inch				

Chamber, Blade and Spindle Assembly

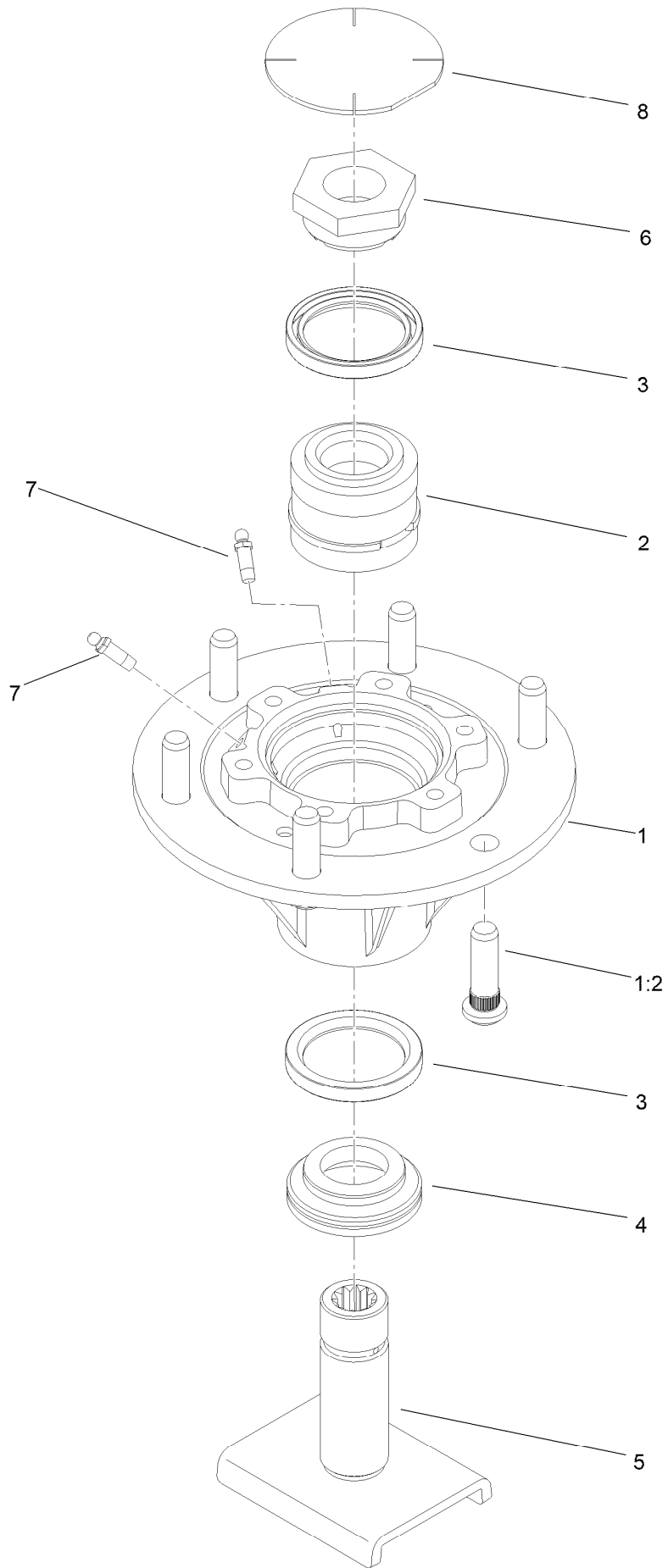


Chamber, Blade and Spindle Assembly (continued)

<i>Ref.</i>	<i>Part Number</i>	<i>Qty.</i>	<i>Description</i>	<i>Ref.</i>	<i>Part Number</i>	<i>Qty.</i>	<i>Description</i>
1	32128-39	6	Nut-HF	6	121-3666	1	Spindle ASM
3	104-1051-03	1	Plate-Spindle	8	107-0235-03	1	Blade-Atomic
4	127-6389	1	Deck Chamber Service ASM	8	108-9026	1	Blade-27", Combo
4:1		1	Chamber ASM ●	9	72-9361	1	Cup-Scalp, Anti
4:1:2	117-4764	2	Decal-Danger	10	92-5816	1	Bolt-Blade
4:1:3	93-7818	1	Decal-Torque, Blade Bolt	11	108-9025-01	1	Baffle-Mulching
4:1:4	121-3627	1	Decal-Height Of Cut	12	46-8560	5	Screw-HHFTF
5	237-161	1	O-Ring				

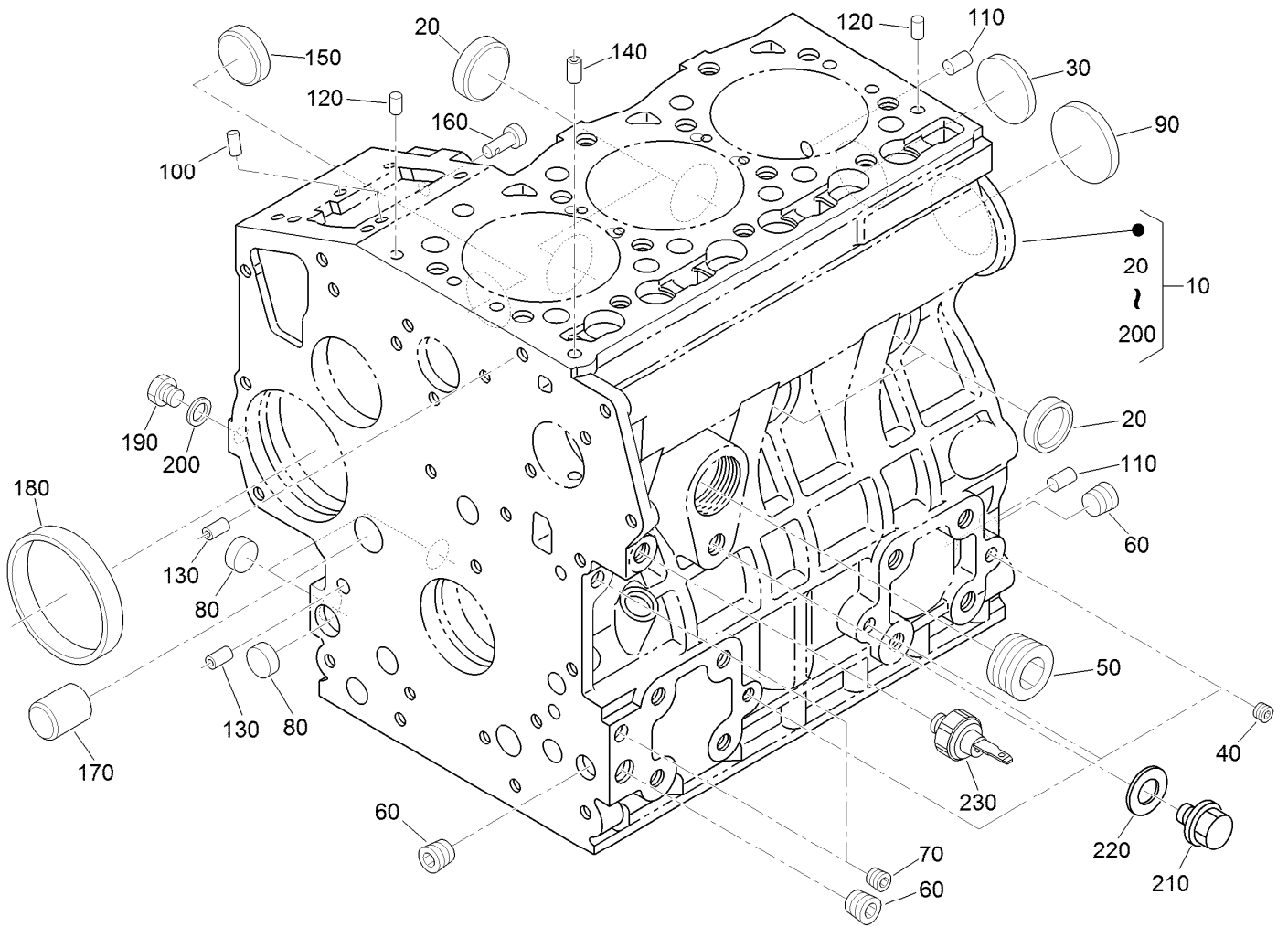
● Not serviced separately

Spindle Assembly No. 121-3666



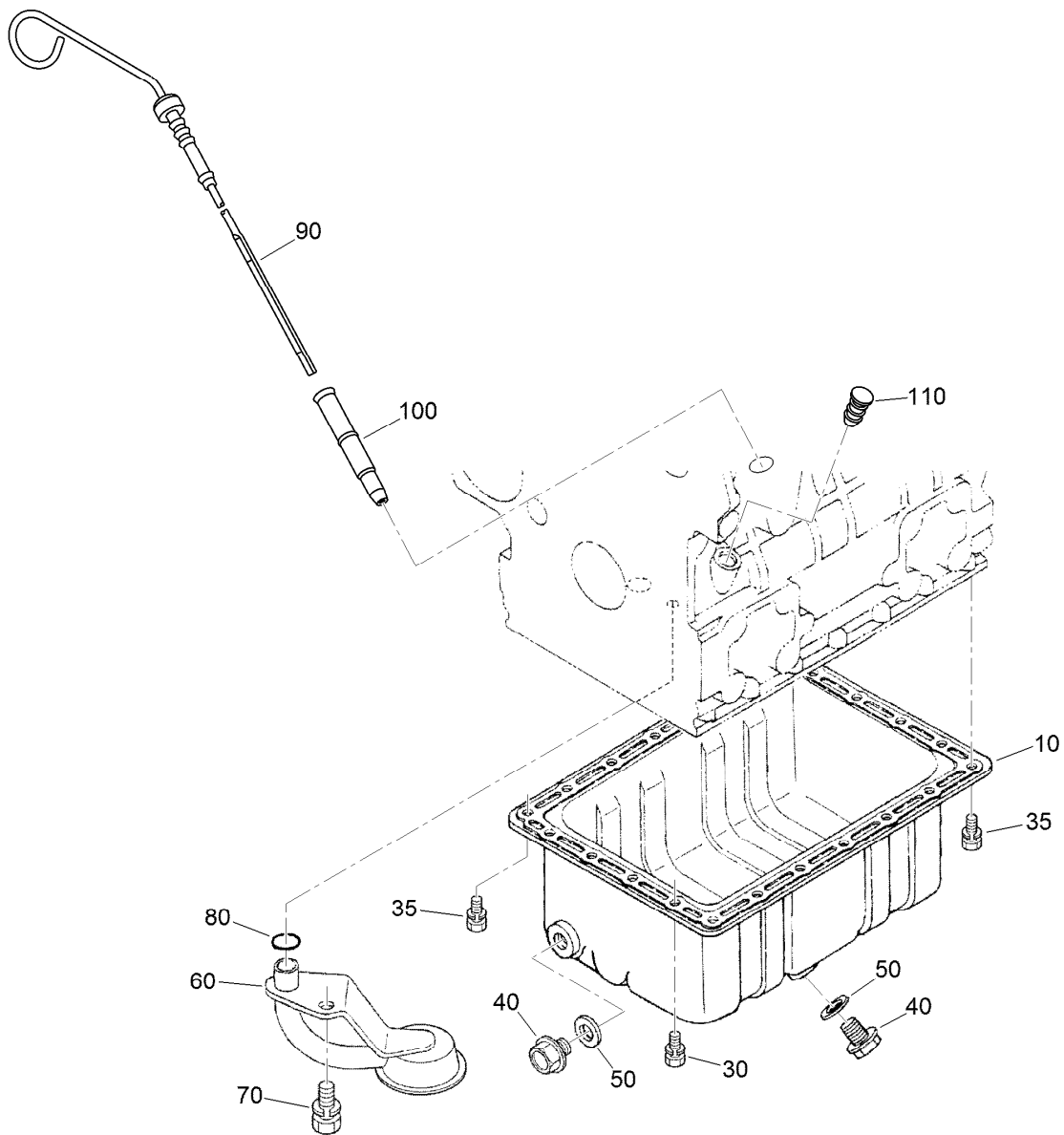
Spindle Assembly No. 121-3666 (continued)

<i>Ref.</i>	<i>Part Number</i>	<i>Qty.</i>	<i>Description</i>	<i>Ref.</i>	<i>Part Number</i>	<i>Qty.</i>	<i>Description</i>
1	115-3434	1	Spindle	5	121-3664	1	Spindle Shaft ASM
1:2	10-6830	6	Stud-Type, Drive	6	100-5709	1	Nut-Spindle, Spcl
2	100-5703	1	Spacer And Bearing ASM	7	302-62	2	Fitting-Grease
3	253-154	2	Seal-Oil	8	94-2703	1	Plug
4	138-6416	1	Spacer-Spindle, Shaft				



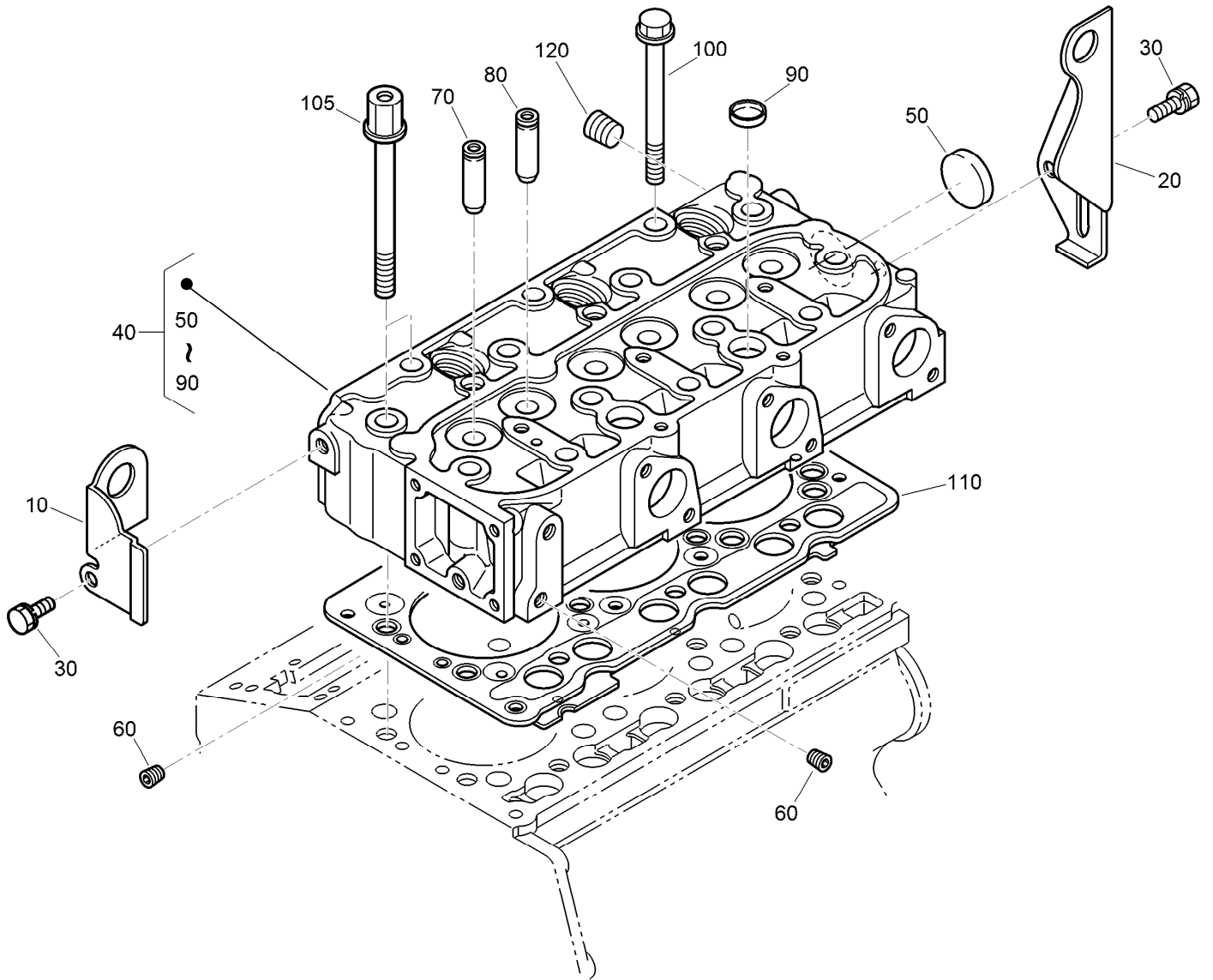
Crankcase Assembly

<i>Ref.</i>	<i>Part Number</i>	<i>Qty.</i>	<i>Description</i>	<i>Ref.</i>	<i>Part Number</i>	<i>Qty.</i>	<i>Description</i>
10	115-3443	1	Crankcase ASM	130	98-9387	2	Pin-Pipe
20	98-9398	4	Cap-Sealing	140	98-9539	1	Pin-Pipe
30	98-7539	1	Cap-Sealing	150	98-9599	1	Plug
40	98-9687	3	Plug	160	98-9630	1	Pin-Spring, Start
50	105-3779	1	Plug	170	98-9675	1	Plug
60	98-9597	3	Plug	180	98-9656	1	Bushing-Governor, Gear
70	98-7487	2	Plug	190	120-2559	1	Plug
80	98-9379	3	Plug-Expansion	200	98-7428	1	Gasket
90	98-9668	1	Plug-Expansion	210	99-3447	1	Plug
100	98-9375	2	Pin-Straight	220	112-8325	1	Washer
110	98-9377	2	Pin-Straight	230	98-9416	1	Switch-Oil
120	98-9376	2	Pin-Straight				



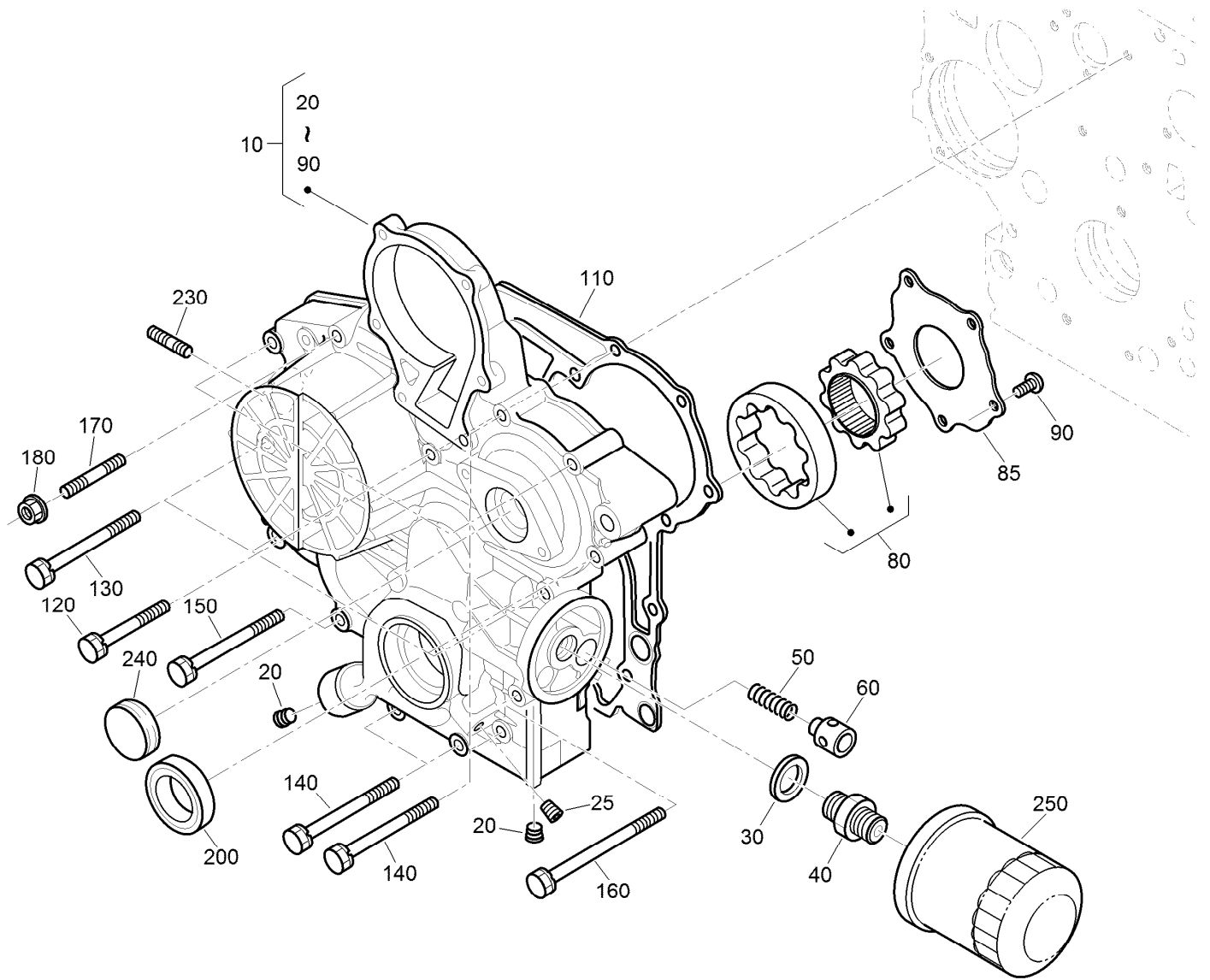
Oil Pan and Dipstick Assembly

<i>Ref.</i>	<i>Part Number</i>	<i>Qty.</i>	<i>Description</i>
10	98-9685	1	Pan-Oil
30	98-9351	20	Bolt
35	98-9351	2	Bolt
40	114-8151	2	Plug-Drain
50	98-7524	2	Gasket
60	108-1401	1	Base-Filter
70	98-7526	1	Bolt
80	105-3776	1	O-Ring
90	104-9348	1	Gauge-Oil
100	105-4580	1	Guide-Gauge, Oil
110	110-3720	1	Plug-Gauge, Oil



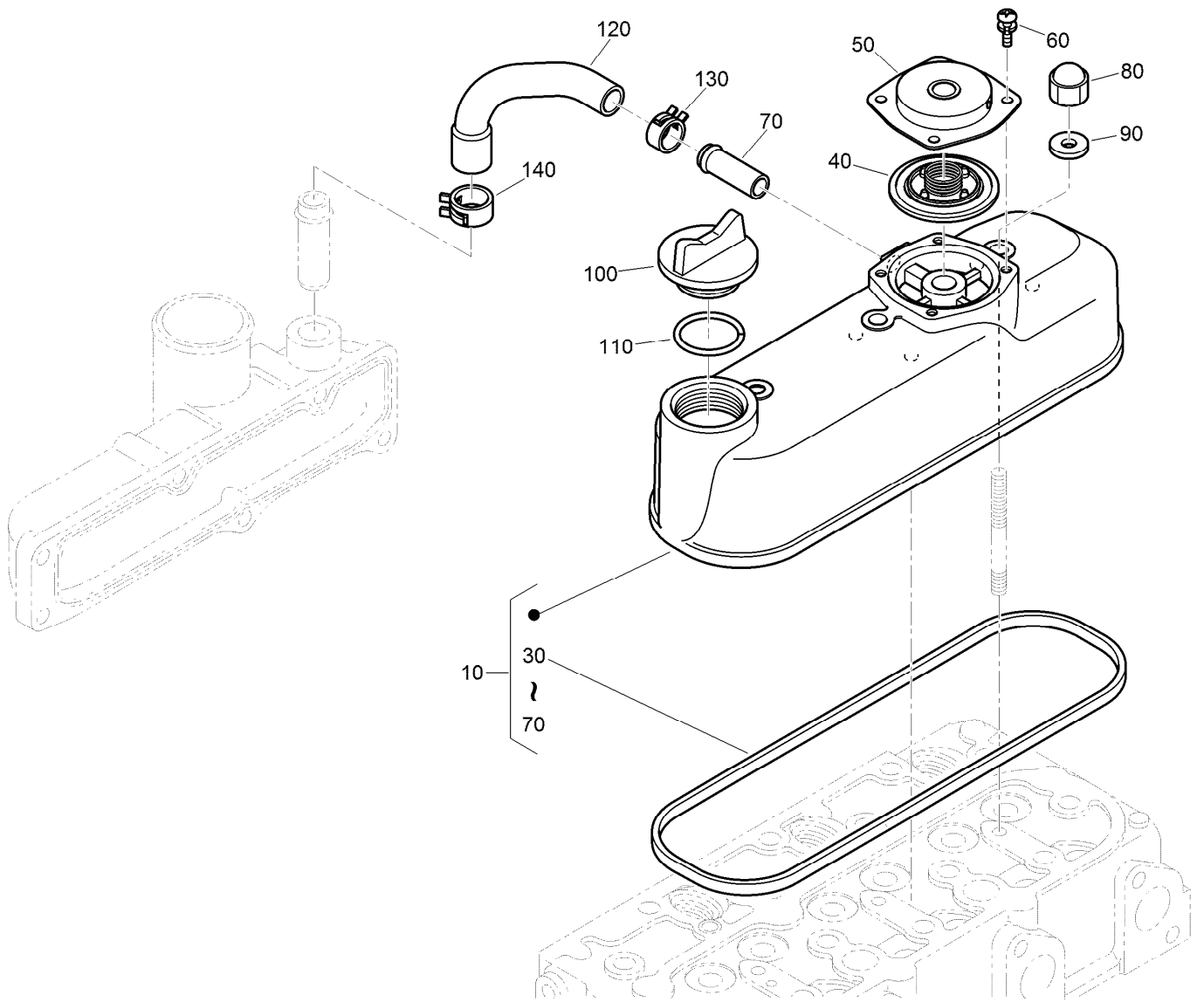
Cylinder Head Assembly

Ref.	Part Number	Qty.	Description
10	130-1231	1	Hook-Engine
20	98-9478	1	Hook-Engine
30	100-9195	2	Bolt
40	130-1544	1	Cylinder Head ASM
50	105-3705	1	Cap-Sealing
60	98-9687	2	Plug
70	107-9066	3	Guide-Valve, Inlet
80	107-9067	3	Guide-Valve, Exhaust
90	98-9389	2	Cap-Sealing
100	98-9479	12	Bolt-Head, Cylinder
105	98-9647	2	Bolt-Head, Cylinder
110	108-6573	1	Gasket-Head, Cylinder
120	98-9444	1	Plug



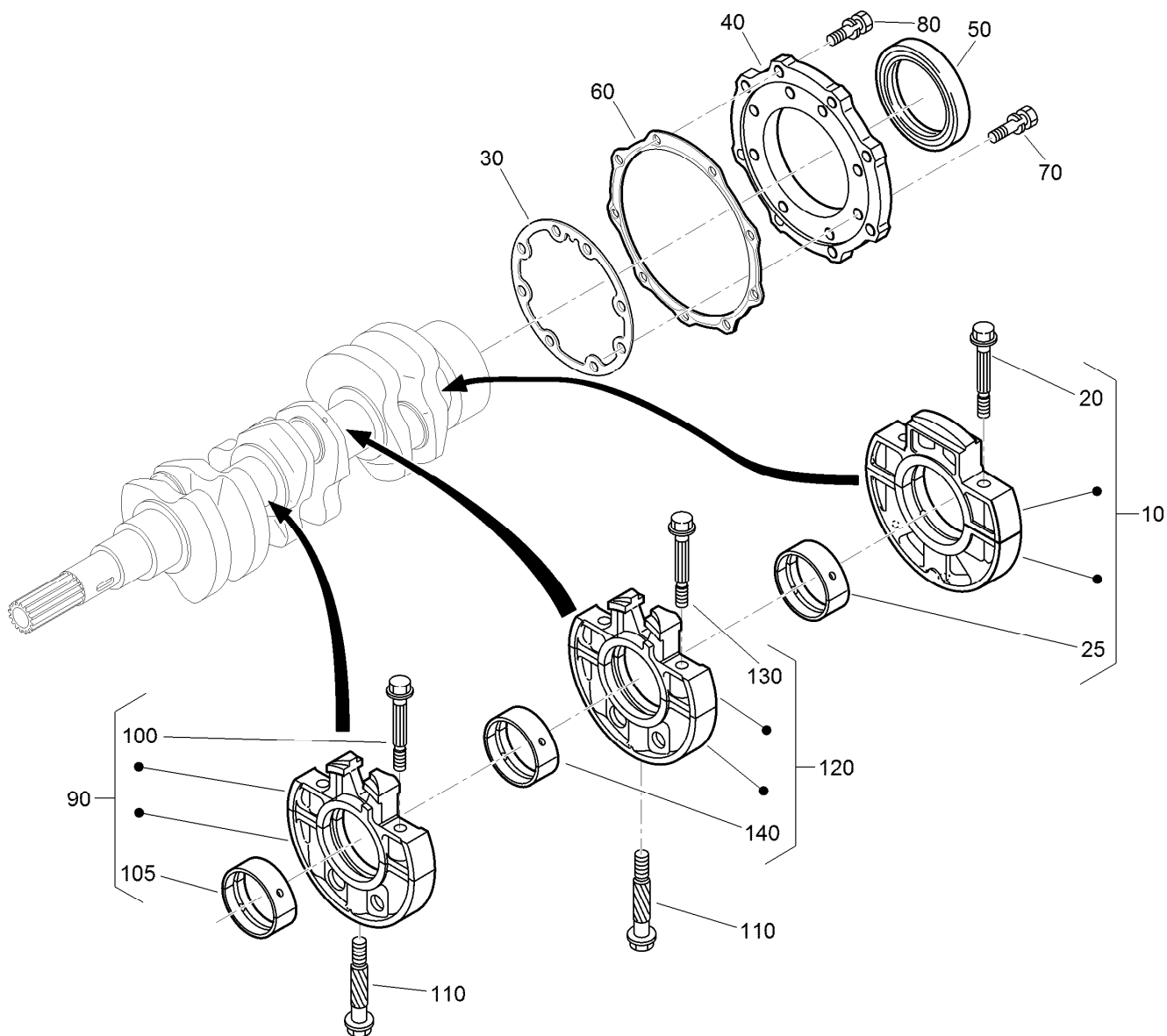
Gear Case and Oil Filter Cartridge Assembly

Ref.	Part Number	Qty.	Description	Ref.	Part Number	Qty.	Description
10	115-4105	1	Gear Case ASM	120	100-1765	3	Bolt
20	127-0425	2	Plug	130	125-9063	4	Bolt-Sems
25	98-7487	1	Plug	140	98-9356	4	Bolt
30	98-7562	1	Washer-Plain	150	107-9074	1	Bolt
40	98-9388	1	Joint-Pipe	160	99-3510	1	Bolt
50	130-1511	1	Spring	170	105-3709	1	Stud
60	130-1510	1	Valve-Relief	180	100-2203	1	Nut-Flange
80	130-1508	1	Rotor ASM	200	119-8038	1	Seal-Oil
85	130-1509	1	Cover-Pump, Oil	230	105-3710	2	Stud
90	130-1164	5	Screw-Binding	240	99-3515	1	Plug-Gearcase
110	98-9633	1	Gasket-Case, Gear	250	108-3841	1	Filter-Oil



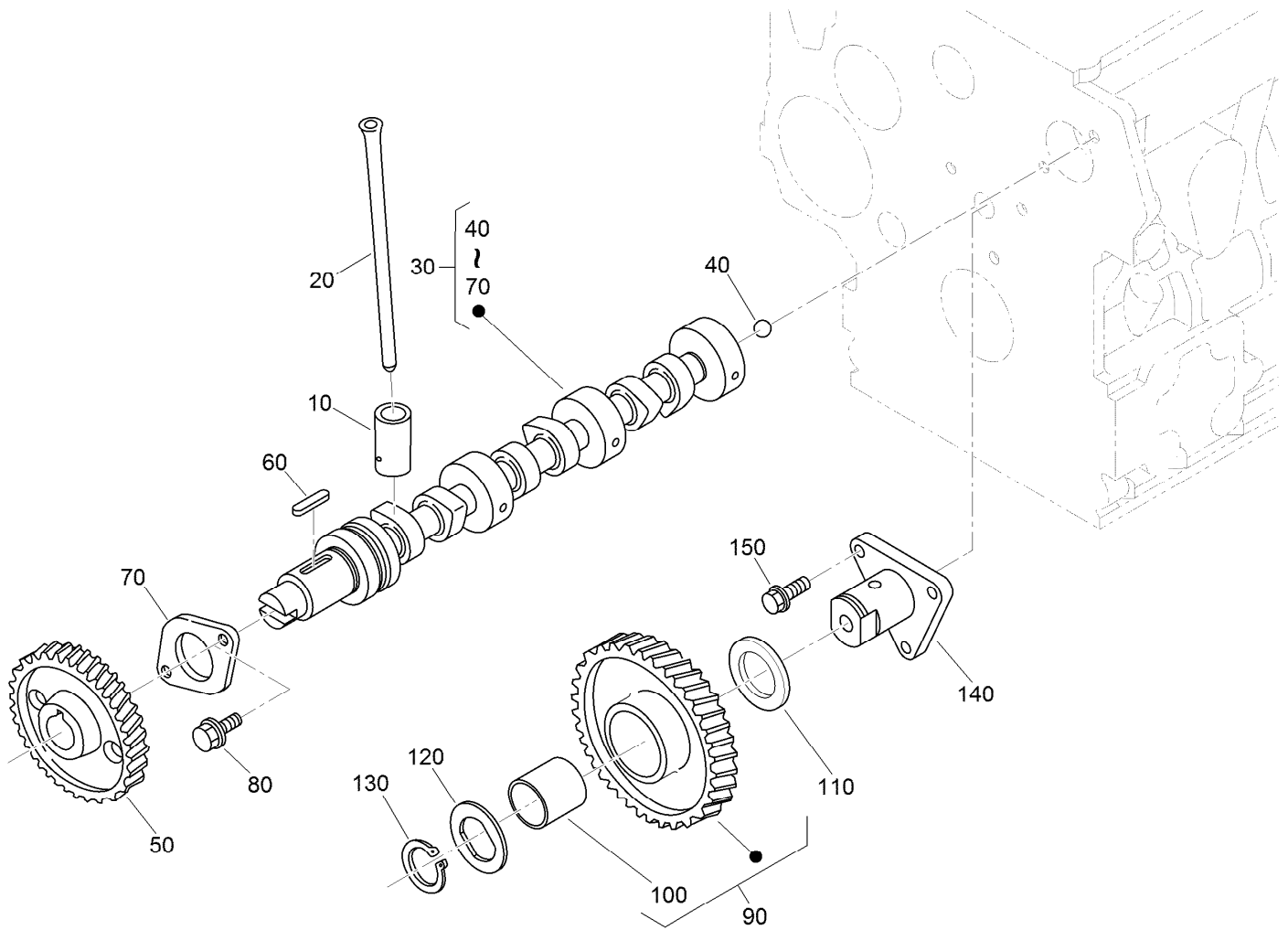
Cylinder Head Cover Assembly

<i>Ref.</i>	<i>Part Number</i>	<i>Qty.</i>	<i>Description</i>
10	139-4544	1	Cylinder Cover ASM
30	98-9615	1	Gasket-Cover, Head
40	110-3715	1	Valve-Breather
50	110-3714	1	Cover-Breather
60	98-9364	4	Screw (With Washer)
70	98-7766	1	Pipe-Return, Water
80	98-9455	3	Nut-Cap
90	98-9454	3	Gasket
100	107-9075	1	Plug-Filler, Oil
110	131-3834	1	O Ring
120	139-4545	1	Tube-Breather
130	108-2859	1	Clamp-Hose
140	108-2860	1	Clamp-Hose



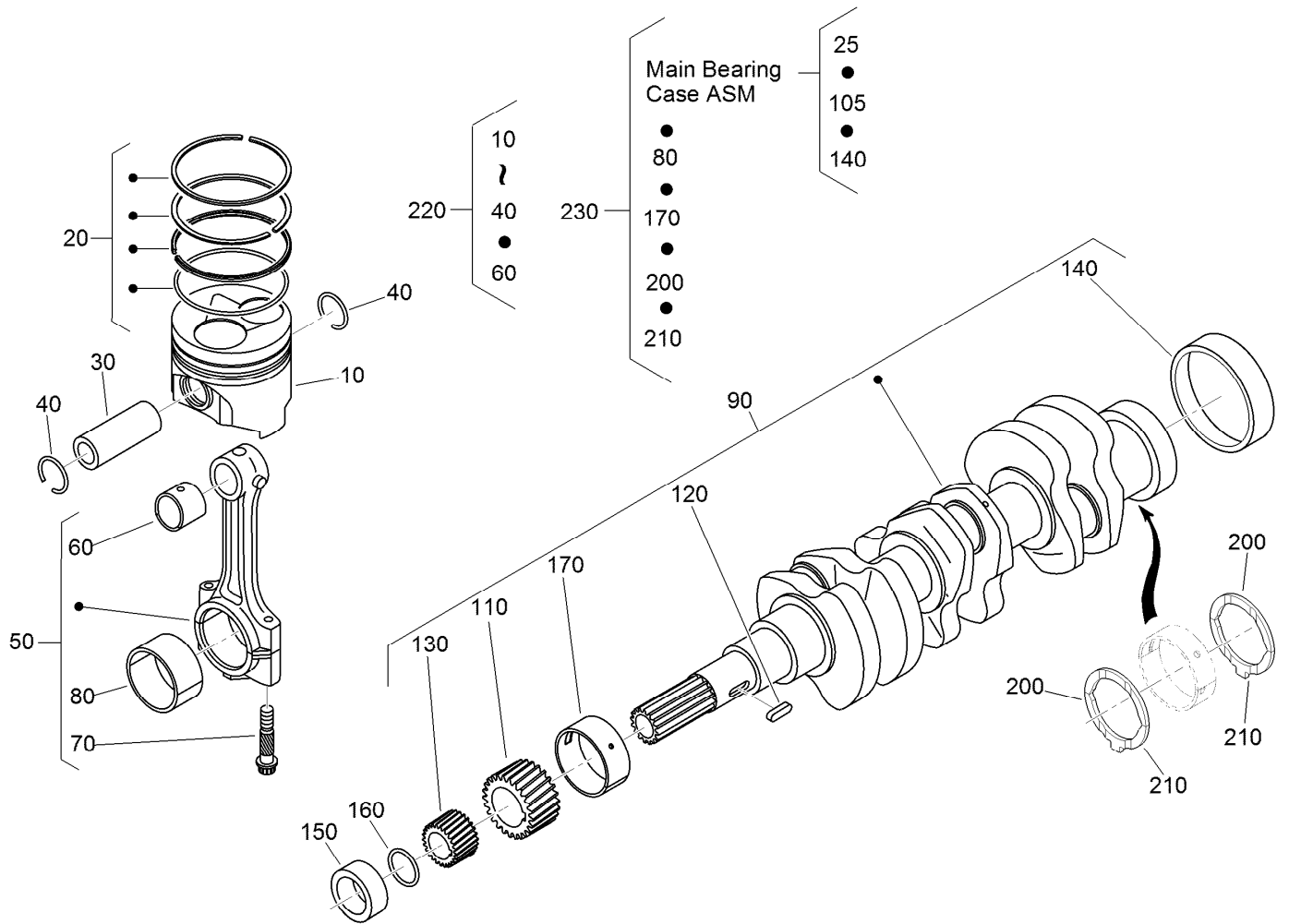
Main Bearing Case Assembly

Ref.	Part Number	Qty.	Description	Ref.	Part Number	Qty.	Description
10	139-4546	1	Bearing Case ASM	90	115-4106	1	Main Bearing Case ASM
20	98-9484	2	Bolt-Case, Bearing	100	98-9484	2	Bolt-Case, Bearing
25	115-4121	1	Metal-Crankshaft (STD)	105	98-9524	1	Metal-Crankshaft (STD Set)
25	112-7039	1	Metal-Crankshaft (0.2Mm)	105	127-0433	1	Metal-Crankshaft (-0.2MM)
25	112-7040	1	Metal-Crankshaft (-0.4Mm)	105	98-9531	1	Bearing-Main (0.4MM)
30	131-6554	1	Gasket-Case, Bearing	110	98-9485	2	Bolt-Case, Bearing
40	112-7046	1	Cover-Case, Bearing	120	115-4107	1	Main Bearing Case ASM
50	112-0180	1	Seal-Oil	130	98-9484	2	Bolt-Case, Bearing
60	112-7037	1	Gasket-Cover, Case	140	98-9524	1	Metal-Crankshaft (STD Set)
70	127-0441	8	Bolt	140	127-0433	1	Metal-Crankshaft (-0.2MM)
80	140-2467	9	Bolt	140	98-9531	1	Bearing-Main (0.4MM)



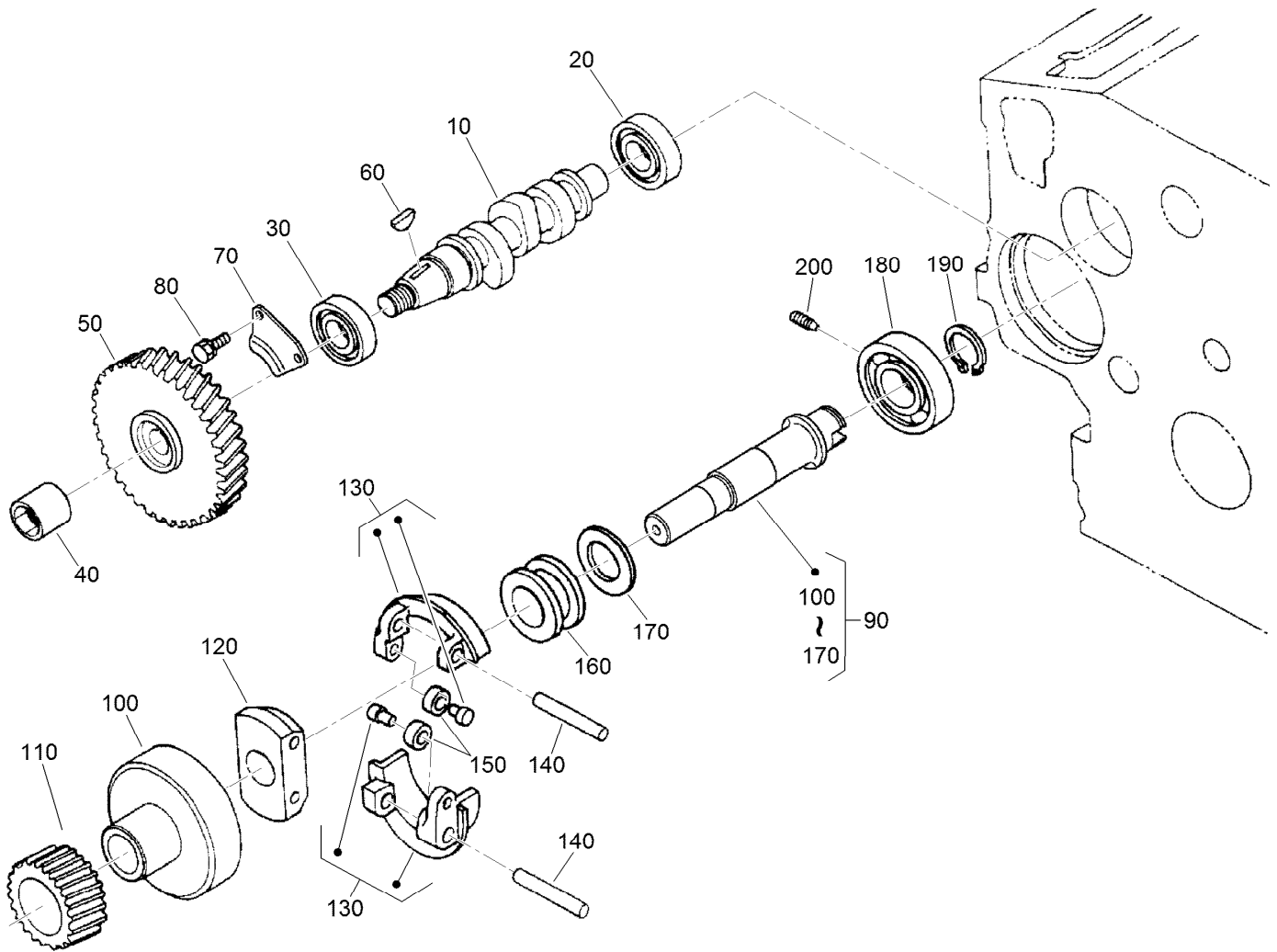
Camshaft and Idle Gear Shaft Assembly

Ref.	Part Number	Qty.	Description
10	112-0185	6	Tappet
20	127-0421	6	Rod-Push
30	130-1545	1	Camshaft ASM
40	110-3729	1	Ball
50	120-3116	1	Camshaft ASM
60	98-9378	1	Key-Feather
70	131-6555	1	Stopper (Camshaft)
80	98-7692	2	Bolt
90	117-7584	1	Idler Gear ASM
100	117-7585	1	Bushing-Gear, Idle
110	98-9535	1	Collar-Gear, Idle
120	98-9536	1	Collar-Gear, Idle
130	98-9534	1	Circlip-Gear, Idle
140	98-9533	1	Shaft-Gear, Idle
150	98-7692	3	Bolt



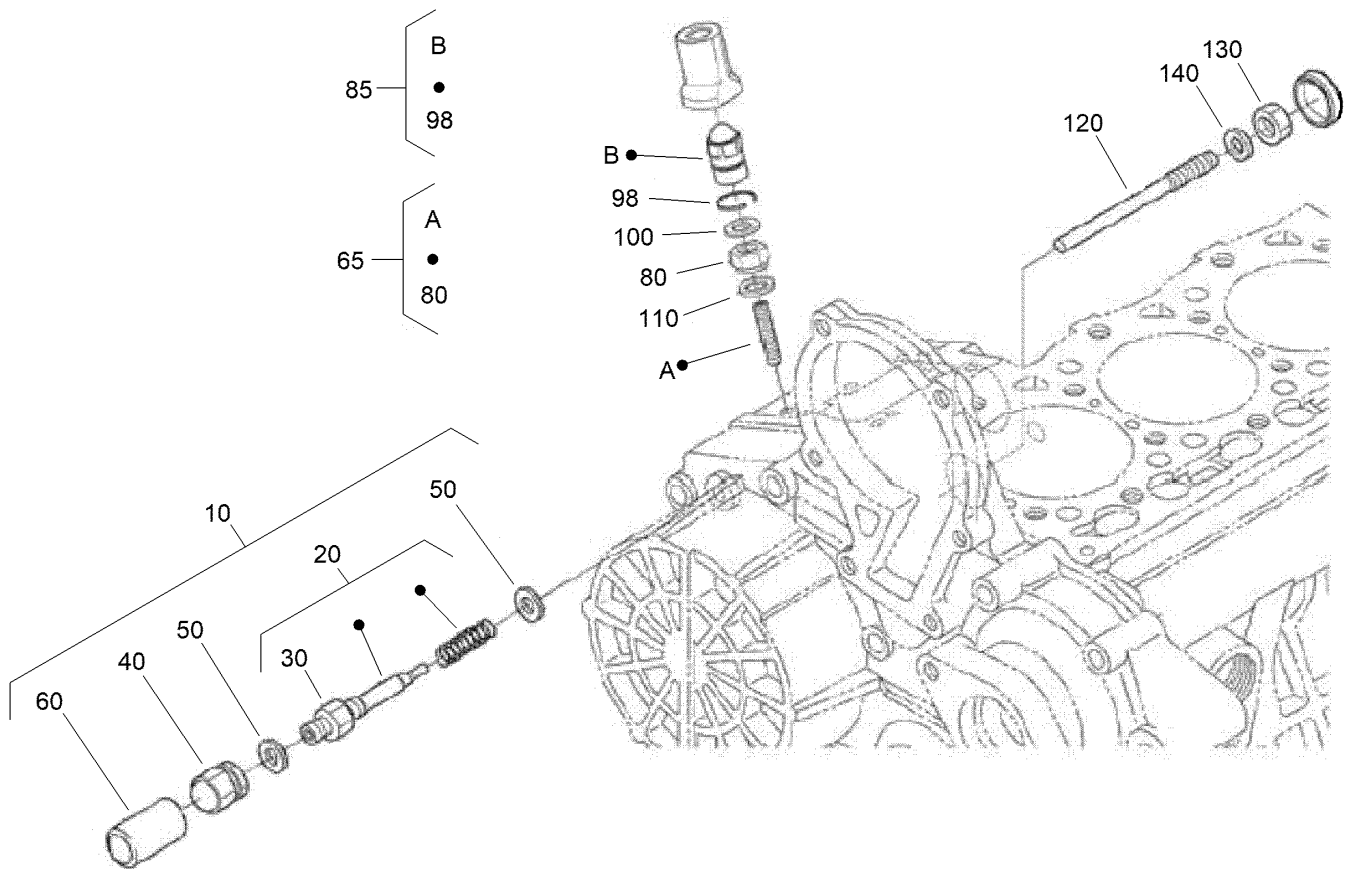
Piston and Crankshaft Assembly

Ref.	Part Number	Qty.	Description	Ref.	Part Number	Qty.	Description
10	130-1546	3	Piston (STD)	160	105-3783	1	O-Ring
10	130-1549	3	Piston (+0.50MM)	170	112-7005	1	Bearing-Main (STD)
20	130-1506	3	Piston Ring ASM (STD)	170	98-9528	1	Bearing-Main (-0.2MM)
20	130-1507	3	Piston Ring ASM (+0.50MM)	170	127-0432	1	Metal-Crankshaft (-0.4MM)
30	98-9513	3	Pin-Piston	200	98-9413	2	Bearing-Thrust (STD)
40	98-9514	6	Circlip-Pin, Piston	200	127-0416	2	Metal-Side (+0.2Mm)
50	117-7586	3	Connecting Rod ASM	200	127-0417	2	Metal-Side (+0.40Mm)
60	115-3014	3	Bushing-Pin, Piston	210	98-9688	2	Bearing-Thrust (STD)
70	98-9517	6	Bolt-Rod, Connecting	210	127-0437	2	Metal-Side (+0.2MM)
80	98-9553	3	Bearing-Rod (STD)	210	127-0438	2	Metal-Side (+0.40MM)
80	98-9519	3	Bearing-Rod (-0.2MM)	220	130-1547	3	Piston Kit
80	117-7588	3	Metal-Crankpin (-0.4MM)	220	130-1548	3	Piston Kit
90	130-1375	1	Crankshaft ASM	230	130-1501	1	Engine Metal Kit (STD)
110	117-7561	1	Gear-Crankshaft	230	130-1498	1	Engine Metal Kit (-0.20Mm/+0.20Mm)
120	98-9666	1	Key	230	130-1499	1	Engine Metal Kit (-0.40Mm/+0.40Mm)
130	127-0445	1	Gear-Drive, Oil Pump				
140	98-9522	1	Sleeve-Crankshaft				
150	127-0444	1	Collar-Crankshaft				



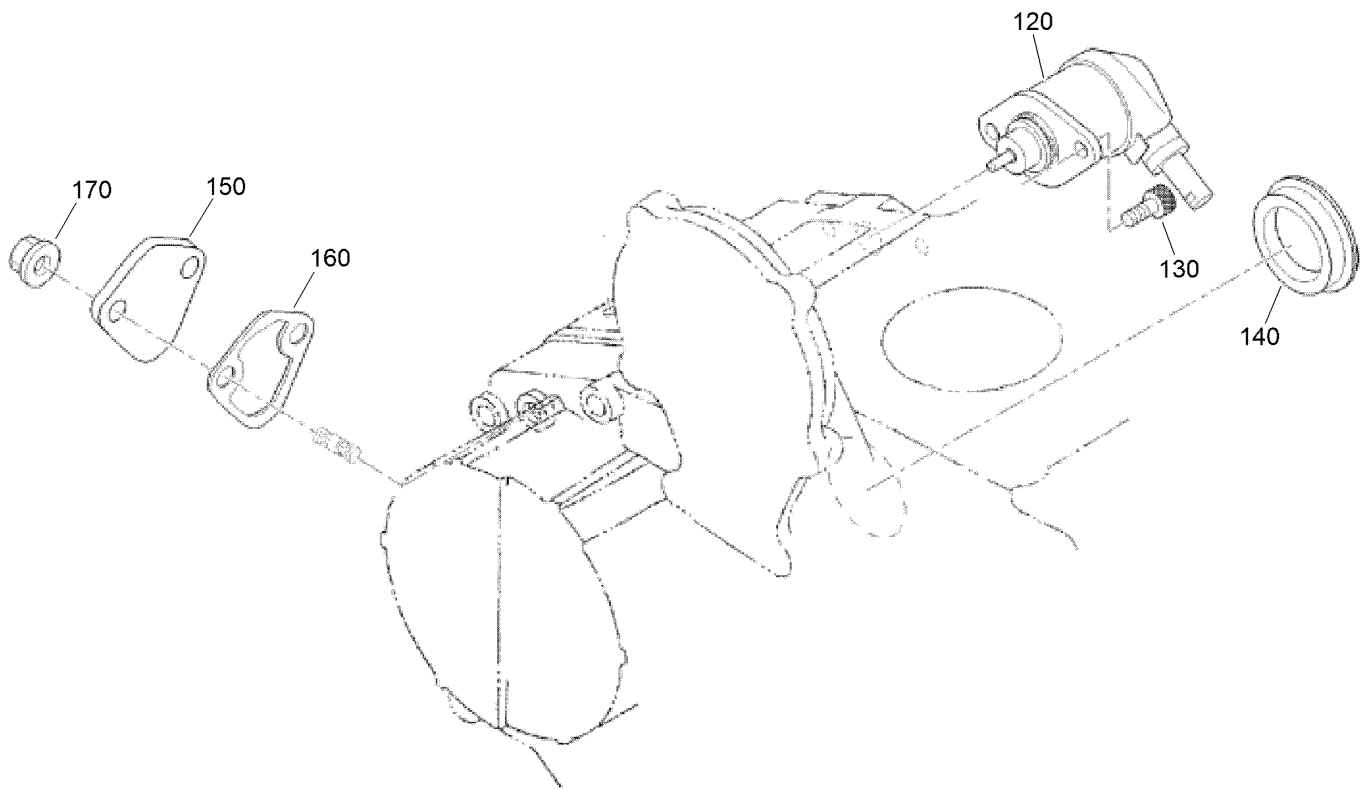
Fuel Camshaft and Governor Shaft Assembly

<i>Ref.</i>	<i>Part Number</i>	<i>Qty.</i>	<i>Description</i>	<i>Ref.</i>	<i>Part Number</i>	<i>Qty.</i>	<i>Description</i>
10	139-4547	1	Camshaft-Fuel	110	98-9673	1	Gear-Governor
20	107-9077	1	Bearing-Ball	120	98-9561	1	Holder-Weight, Governor
30	107-9078	1	Bearing-Ball	130	98-9559	2	Governor Weight ASM
40	130-1512	1	Nut	140	98-9560	2	Shaft-Weight, Governor
50	120-2562	1	Gear-Pump, Injection	150	98-9692	2	Roller
60	98-9595	1	Key-Woodruff	160	98-9563	1	Sleeve-Governor
70	98-9511	1	Stopper-Fuel, Camshaft	170	98-9564	1	Washer-Thrust
80	98-7692	2	Bolt	180	107-9079	1	Bearing-Ball
90	98-9644	1	Governor Shaft ASM	190	98-9657	1	Circlip-Shaft, Governor
100	98-9562	1	Holder-Gear, Governor	200	98-9565	1	Screw-Set



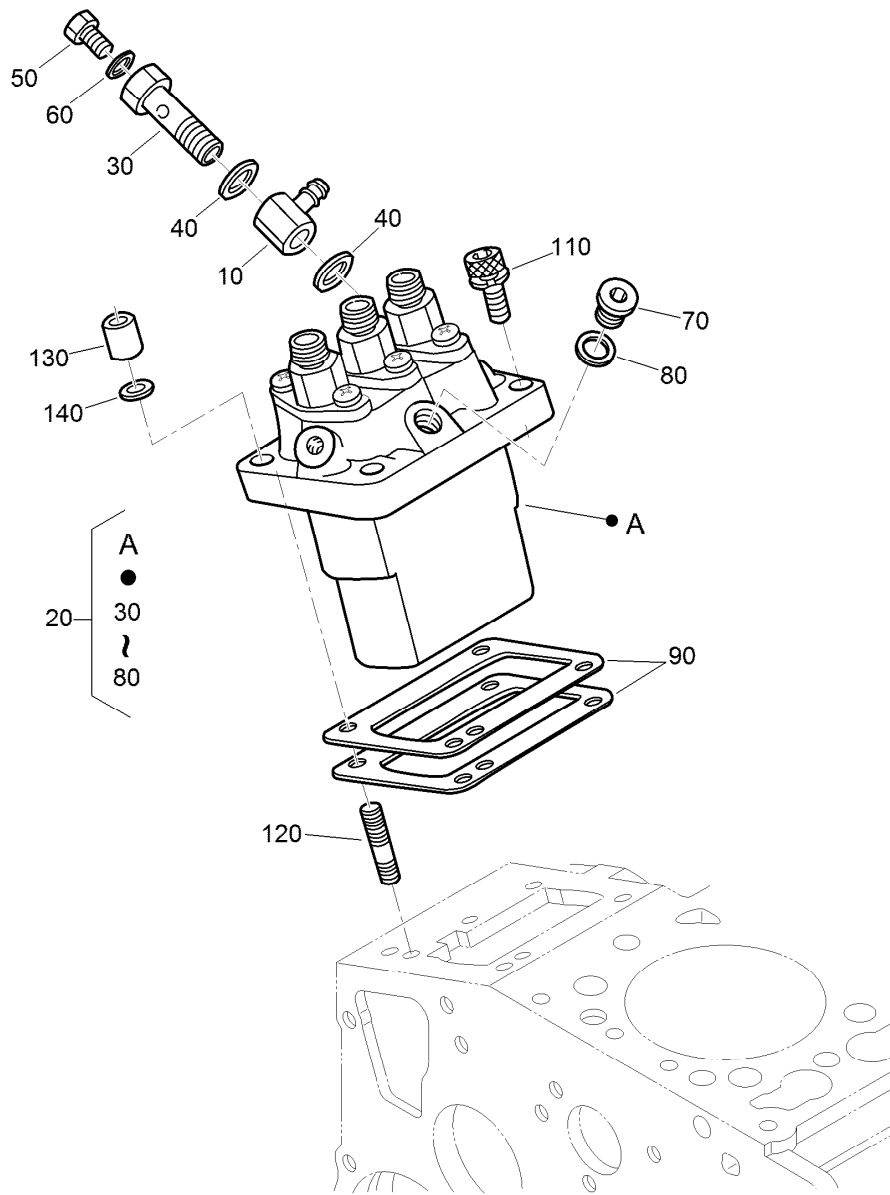
Idle Apparatus and Stop Solenoid Assembly

Ref.	Part Number	Qty.	Description
10	98-9678	1	Idle Apparatus ASM
20	112-7014	1	Adjusting Bolt ASM
30	98-9439	1	Nut
40	112-0181	1	Nut
50	98-7654	2	Gasket
60	98-7656	1	Cap
65	140-2470	1	Adjusting Bolt ASM
80	139-4548	1	Nut-Lock
85	140-2471	1	Cap Nut ASM
98	140-2472	1	Circlip-Int
100	98-7654	1	Gasket
110	107-9081	1	Gasket
120	131-6556	1	Bolt
130	98-7572	1	Nut
140	98-7654	1	Gasket



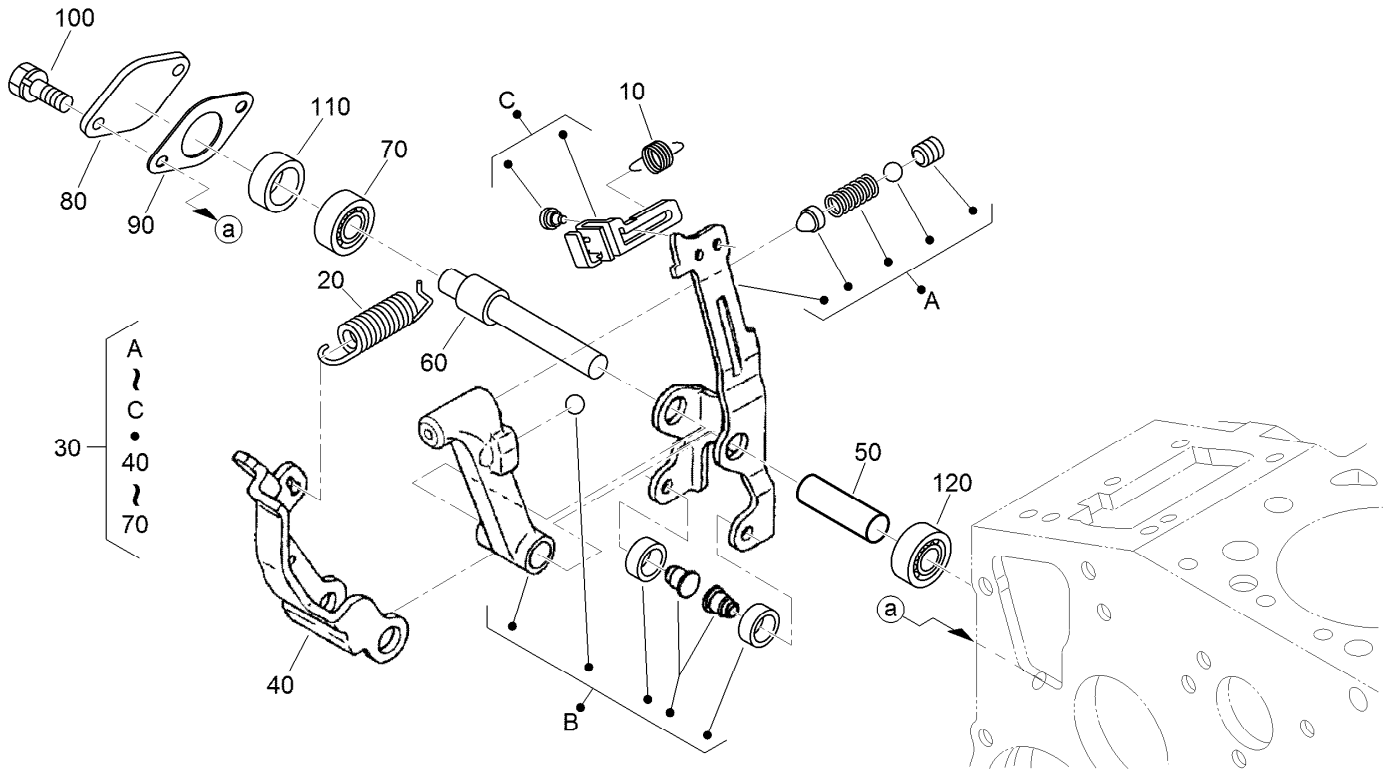
Solenoid Assembly

<i>Ref.</i>	<i>Part Number</i>	<i>Qty.</i>	<i>Description</i>
120	104-5155	1	Solenoid-Stop
130	130-1155	2	Screw-HSH
140	112-7016	1	Cover-Pump
150	99-3514	1	Cover
160	117-7562	1	Gasket-Pump, Fuel
170	100-2203	2	Nut-Flange



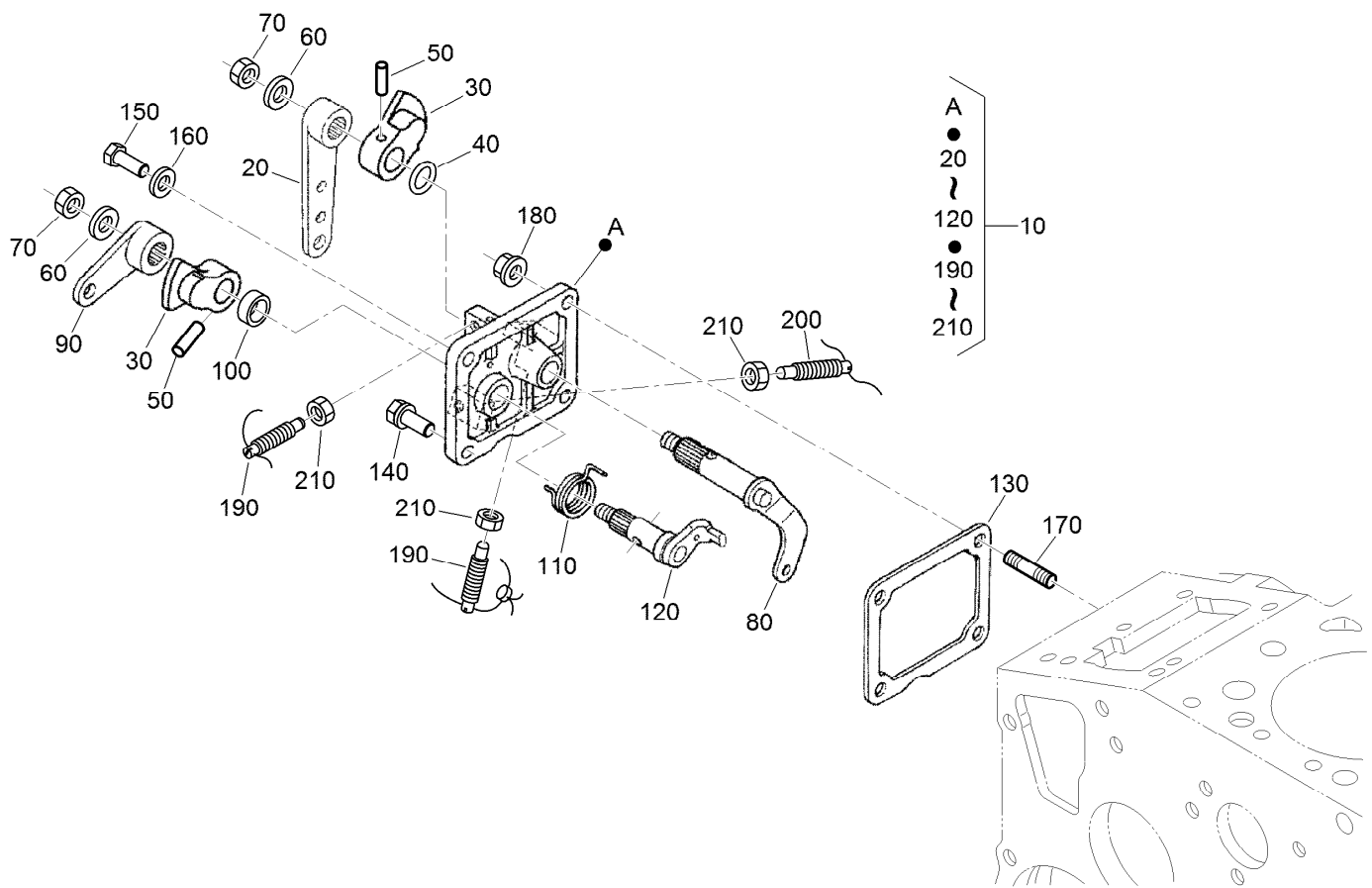
Injection Pump Assembly

<i>Ref.</i>	<i>Part Number</i>	<i>Qty.</i>	<i>Description</i>	<i>Ref.</i>	<i>Part Number</i>	<i>Qty.</i>	<i>Description</i>
10	139-4549	1	Joint-Eye	90	98-9457	1	Shim-Injection (0.25MM)
20	98-9643	1	Injection Pump ASM	90	98-9458	1	Shim-Injection (0.30MM)
30	98-9464	1	Bolt-Joint	90	115-3046	1	Shim-Injection (0.35MM)
40	98-9445	2	Gasket	90	115-3045	1	Shim-Injection (0.175MM)
50	98-9430	1	Screw	110	117-7564	2	Bolt-Hex Soc HD
60	98-9446	1	Gasket	120	98-9438	2	Stud
70	98-9466	1	Plug	130	98-9440	2	Nut-Cap
80	98-9451	1	Gasket	140	98-7699	2	Washer-Spring
90	98-9456	1	Shim-Injection (0.20MM)				



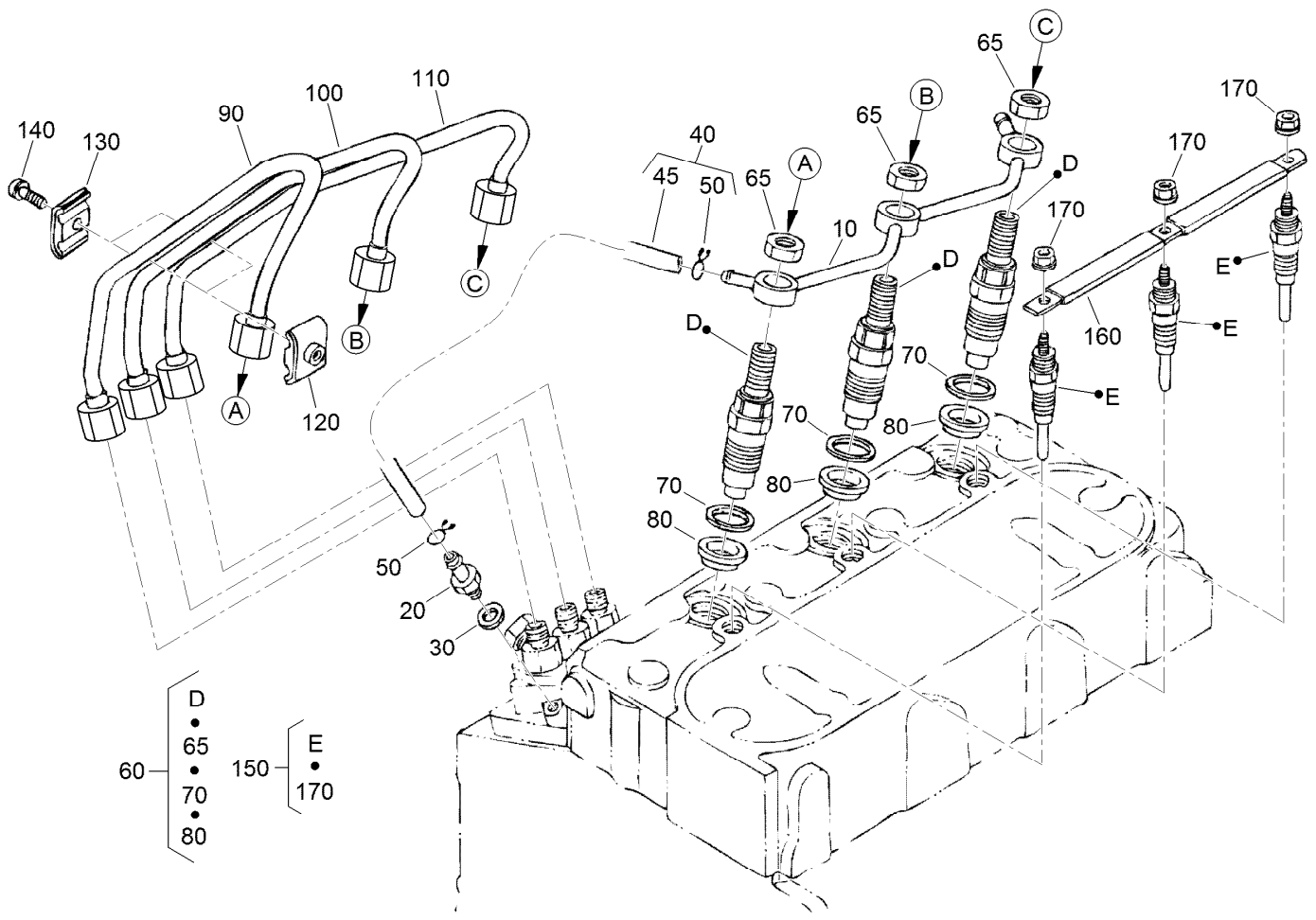
Governor Assembly

Ref.	Part Number	Qty.	Description
10	105-3786	1	Spring-Start
20	98-9681	1	Spring-Governor
30	115-4502	1	Fork Lever ASM
40	107-9084	1	Lever-Fork
50	107-9085	1	Shaft-Lever, Fork
60	107-9086	1	Shaft-Lever, Fork
70	98-9570	1	Bearing-Miniaturize
80	115-4122	1	Cover-Shaft, Fork Lever
90	98-9682	1	Gasket
100	98-9350	2	Bolt
110	98-9567	1	Collar
120	98-9571	1	Bearing-Miniaturize



Speed Control Plate Assembly

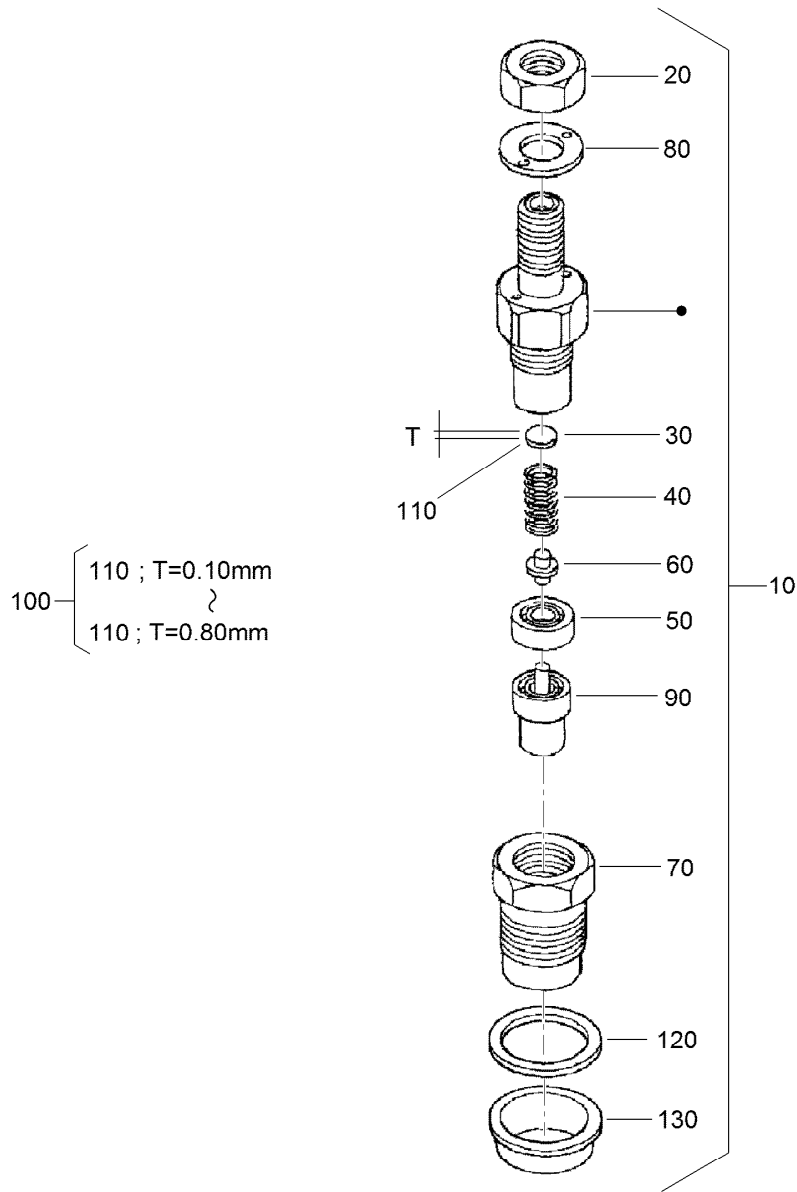
Ref.	Part Number	Qty.	Description	Ref.	Part Number	Qty.	Description
10	105-3735	1	Control Plate ASM	120	98-9664	1	Shaft-Lever, Stop
20	98-9662	1	Lever-Control, Speed	130	98-9637	1	Gasket
30	98-9572	2	Lever-Control, Speed	140	98-7692	1	Bolt
40	105-3788	1	O-Ring	150	127-0401	1	Bolt-Hex
50	98-7602	2	Pin-Spring	160	98-7654	1	Gasket
60	98-9594	2	Washer-Plain	170	105-3710	2	Stud
70	98-9589	2	Nut	180	100-2203	2	Nut-Flange
80	98-9658	1	Governor Lever ASM	190	117-7565	2	Bolt-Adjusting
90	98-9663	1	Lever-Stop, Engine	200	117-7566	1	Bolt-Adjusting
100	98-7601	1	Seal-Oil	210	98-7572	3	Nut
110	98-9472	1	Spring-Return				



Nozzle Holder and Glow Plug Assembly

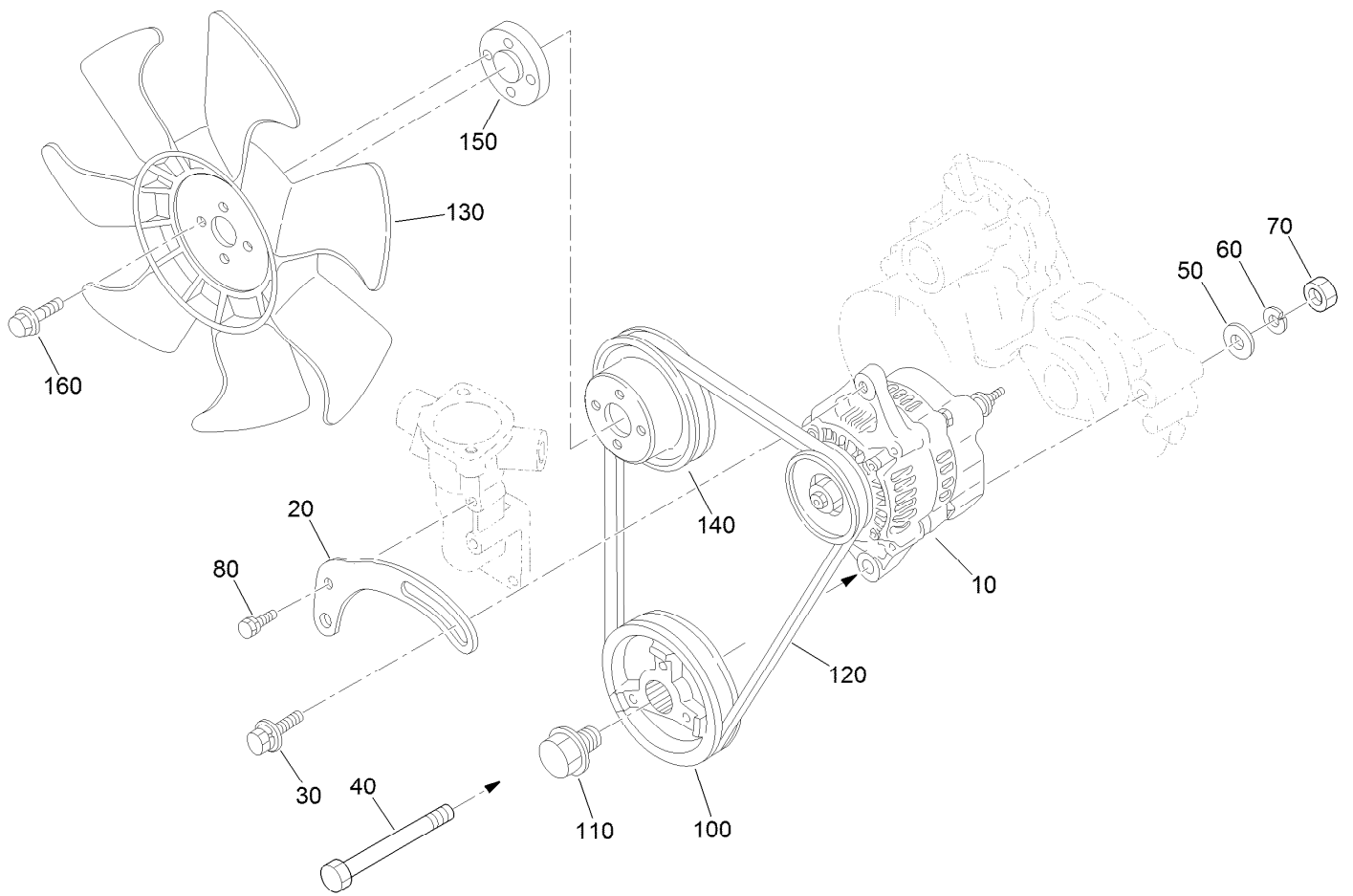
<i>Ref.</i>	<i>Part Number</i>	<i>Qty.</i>	<i>Description</i>
10	98-9620	1	Overflow Pipe ASM
20	98-9431	1	Screw-Bleeder, Air
30	98-7654	1	Gasket
40	140-2456	1	Overflow Pipe ASM
45	140-2457	1	Pipe-Overflow
50	98-7671	2	Clip-Pipe
60	115-3018	3	Nozzle Holder Kit
65	121-2411	3	Nut
70	98-7676	3	Gasket
80	98-7677	3	Seal-Heat

<i>Ref.</i>	<i>Part Number</i>	<i>Qty.</i>	<i>Description</i>
90	98-9622	1	Pipe-Injection
100	98-9654	1	Pipe-Injection
110	98-9655	1	Pipe-Injection
120	98-7682	2	Clamp-Pipe
130	98-7683	2	Clamp-Pipe
140	98-7684	2	Screw (W/Washer)
150	130-1411	3	Plug-Glow
160	98-9631	1	Cord-Plug, Glow
170	99-8377	3	Nut-Flange



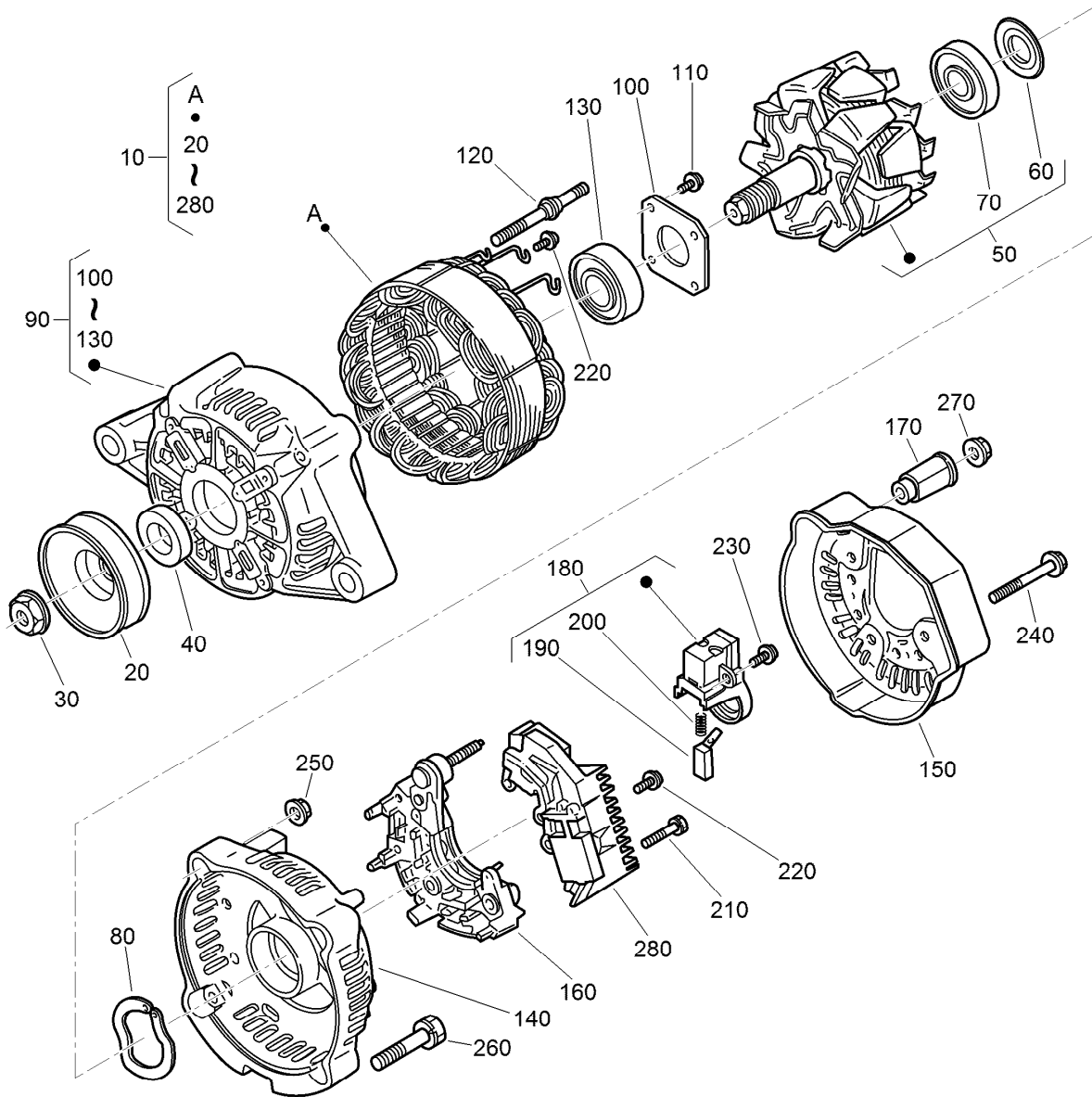
Nozzle Holder Assembly

<i>Ref.</i>	<i>Part Number</i>	<i>Qty.</i>	<i>Description</i>	<i>Ref.</i>	<i>Part Number</i>	<i>Qty.</i>	<i>Description</i>
10	115-3018	3	Nozzle Holder Kit	110	99-8311	3	Washer-Adjust (0.20MM)
20	121-2411	3	Nut	110	99-8312	3	Washer-Adjust (0.30MM)
30	99-8302	3	Washer-Adjusting	110	99-8313	3	Washer-Adjust (0.40MM)
40	99-8303	3	Spring-Nozzle	110	99-8314	3	Washer-Adjust (0.50MM)
50	99-8304	3	Spacer-Distance	110	99-8315	3	Washer-Adjust (0.52MM)
60	99-8305	3	Rod-Push	110	99-8316	3	Washer-Adjust (0.54MM)
70	99-8306	3	Nut-Nozzle	110	99-8317	3	Washer-Adjust (0.56MM)
80	99-8307	3	Washer-Plain	110	99-8318	3	Washer-Adjust (0.58MM)
90	115-3020	3	Piece-Nozzle	110	99-8319	3	Washer-Adjust (0.80MM)
100	99-8309	3	Adjusting Washer ASM	120	98-7676	3	Gasket
110	99-8310	3	Washer-Adjust (0.10MM)	130	98-7677	3	Seal-Heat



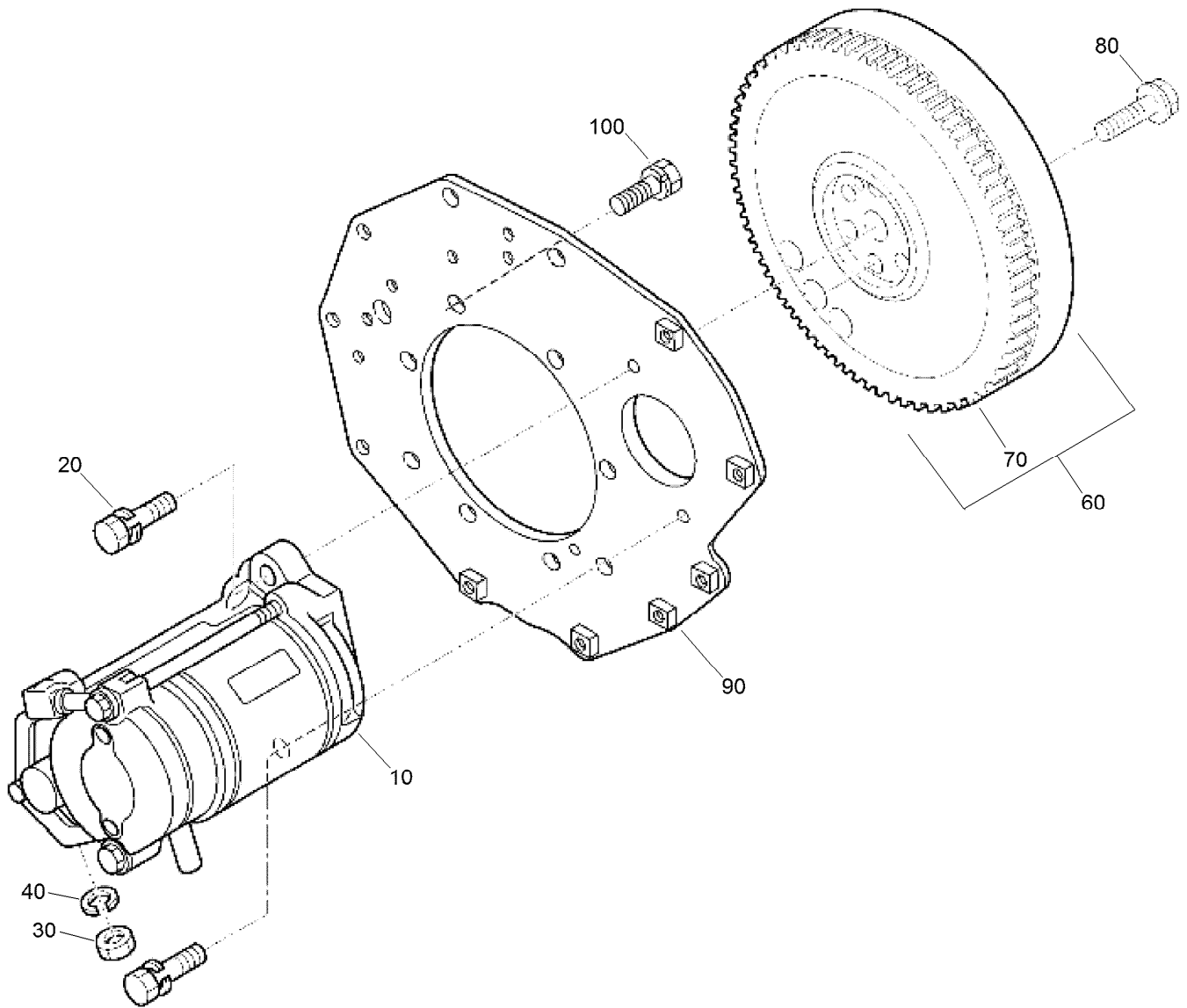
Alternator, Pulley and Fan Assembly

Ref.	Part Number	Qty.	Description
10	131-6557	1	Alternator ASM
20	112-7047	1	Stay-Dynamo
30	108-7088	1	Bolt
40	98-9360	1	Bolt
50	98-9366	1	Washer-Plain
60	98-7738	1	Washer-Spring
70	98-7737	1	Nut
80	98-7692	1	Bolt
100	98-9473	1	Pulley-Drive, Fan
110	98-9585	1	Bolt
120	104-3494	1	Belt-V
130	104-4246	1	Fan-Engine
140	130-1567	1	Pulley-Fan
150	108-2872	1	Collar-Fan
160	108-2873	4	Bolt-Flange



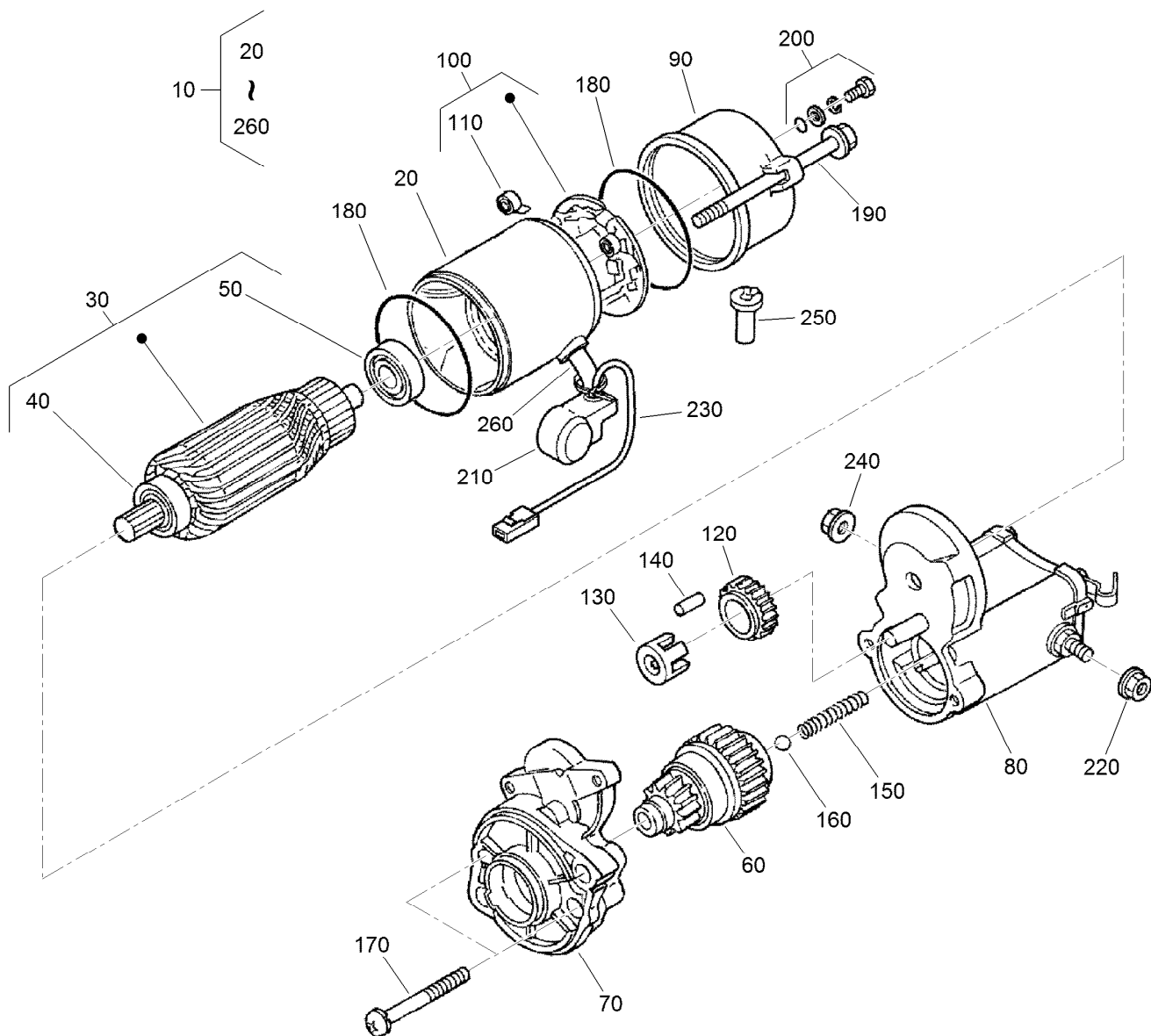
Alternator Components Assembly

Ref.	Part Number	Qty.	Description	Ref.	Part Number	Qty.	Description
10	131-6557	1	Alternator ASM	150	107-0140	1	Cover-End
20	98-9453	1	Pulley-Dynamo	160	127-1612	1	Rectifier ASM
30	98-7708	1	Nut	170	98-7722	1	Bushing-Insulation
40	98-7709	1	Collar	180	107-0141	1	Brush Holder ASM
50	107-0136	1	Rotor ASM	190	98-7724	2	Brush
60	98-7711	1	Cover-Bearing	200	98-7725	2	Spring-Brush
70	107-0138	1	Bearing-Ball	210	98-7726	2	Screw-Head, Round
80	98-7713	1	Washer-Thrust	220	98-7727	6	Screw-Head, Round
90	131-6559	1	Frame-End, Drive	230	98-7728	1	Screw-Head, Round
100	98-7715	1	Plate-Retainer	240	98-7729	3	Bolt
110	98-7716	4	Screw-Head, Round	250	98-7730	2	Nut
120	98-7717	2	Bolt-Through	260	98-7731	2	Bolt
130	133-2811	1	Bearing	270	98-7732	1	Nut
140	107-9087	1	Frame-End	280	140-2458	1	Regulator ASM



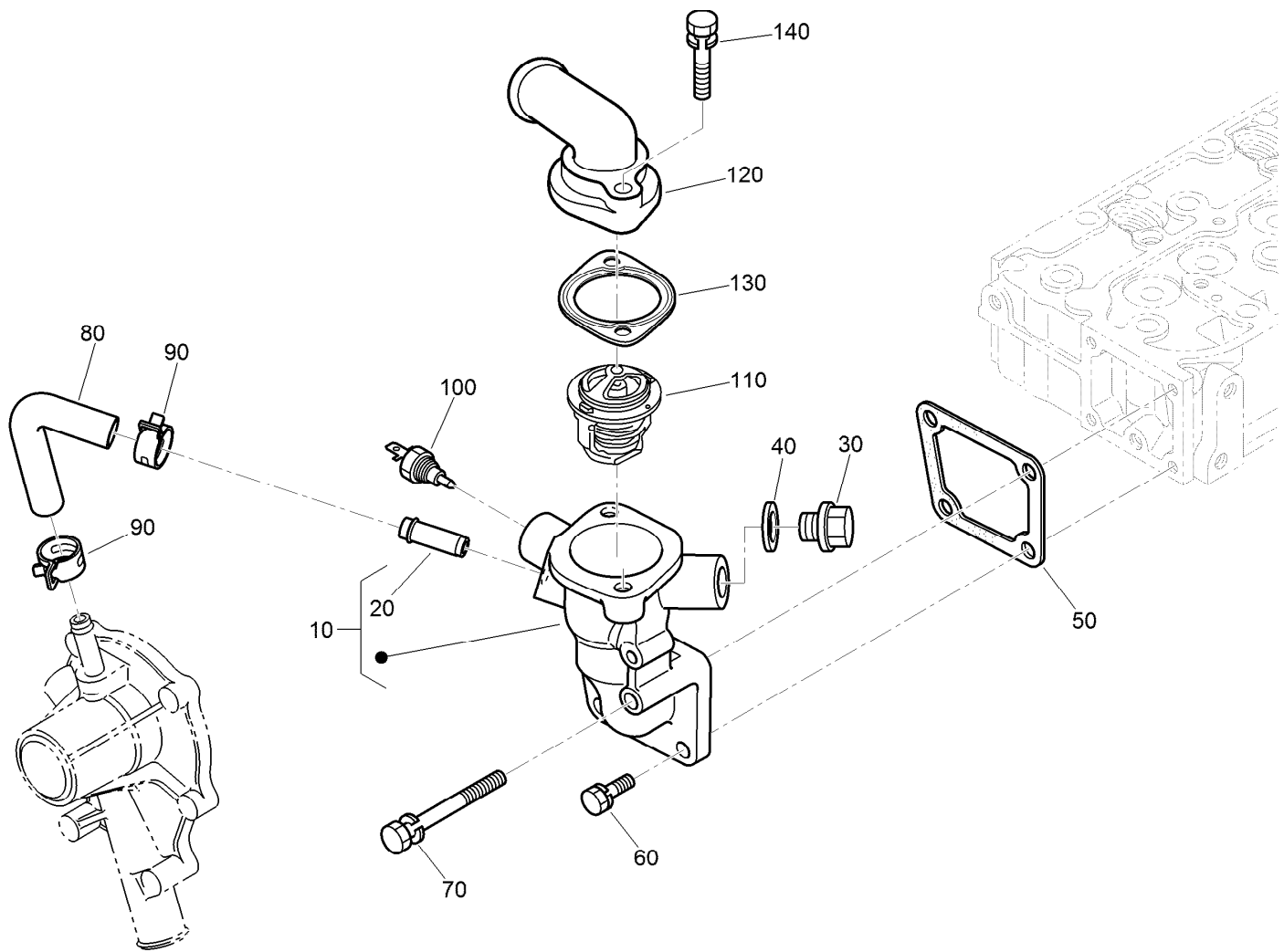
Starter and Flywheel Assembly

<i>Ref.</i>	<i>Part Number</i>	<i>Qty.</i>	<i>Description</i>
10	98-9705	1	Starter ASM
20	98-7697	2	Bolt
30	98-7534	1	Nut
40	105-2893	1	Washer-Spring
60	105-3784	1	Flywheel ASM
70	115-3015	1	Gear-Ring
80	98-9537	6	Bolt-Flywheel
90	98-9486	1	Plate-End, Rear
100	98-9392	8	Bolt



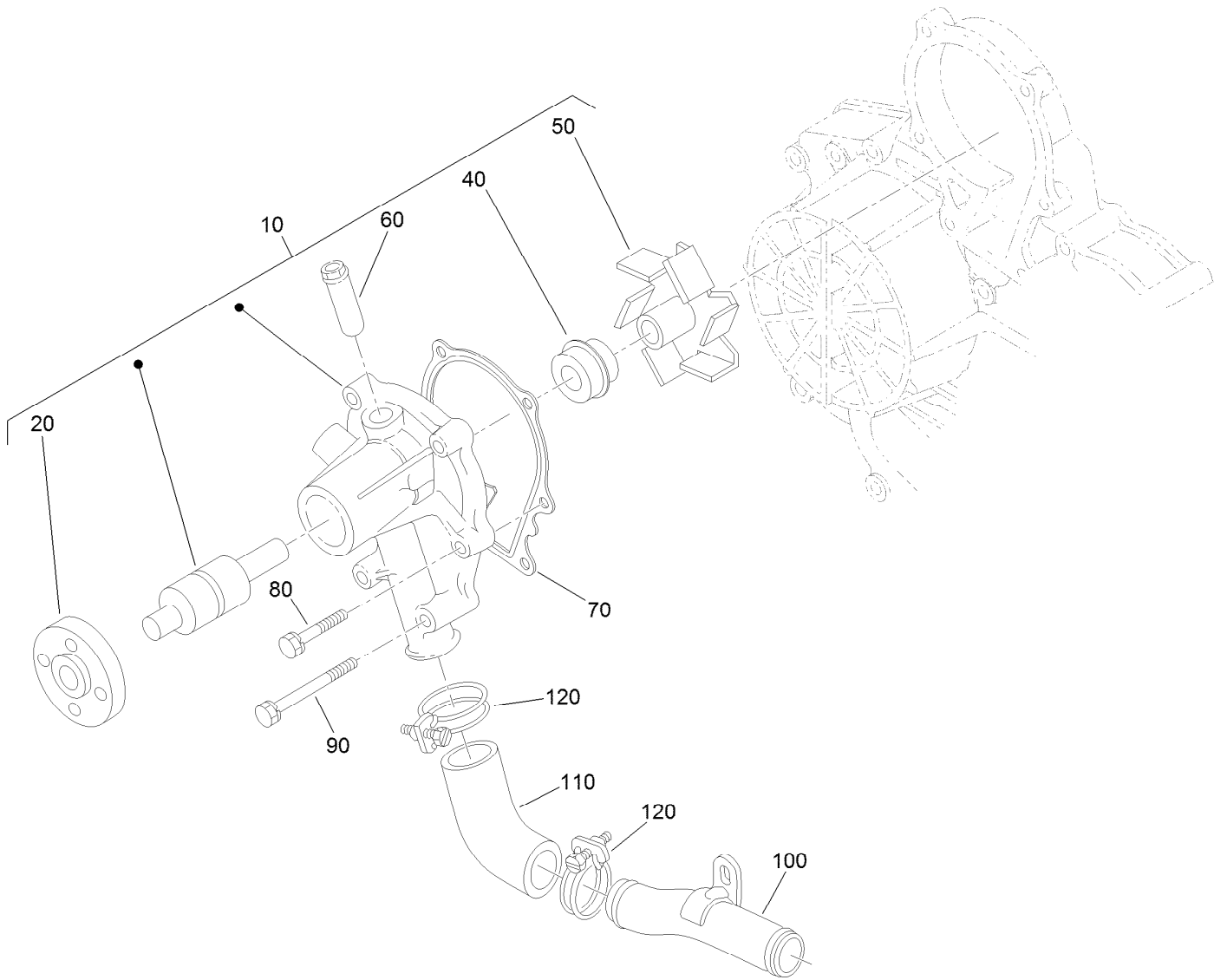
Starter Component Assembly

<i>Ref.</i>	<i>Part Number</i>	<i>Qty.</i>	<i>Description</i>	<i>Ref.</i>	<i>Part Number</i>	<i>Qty.</i>	<i>Description</i>
10	98-9705	1	Starter ASM	140	98-7753	5	Roller
20	104-8608	1	Yoke ASM	150	98-7754	1	Spring
30	98-7742	1	Armature ASM	160	98-7755	1	Ball
40	98-7744	1	Bearing	170	98-7756	2	Bolt
50	98-7743	1	Bearing	180	98-7757	2	O-Ring
60	99-8373	1	Clutch-Running, Over	190	100-9240	2	Bolt
70	99-8374	1	Frame-End, Drive	200	98-7758	2	Bolt ASM
80	105-3746	1	Magnetic Switch ASM	210	99-8375	1	Cover
90	98-7748	1	Frame-End	220	99-8371	1	Nut-Hex
100	98-7749	1	Brush Holder ASM	230	98-9711	1	Cord-Solenoid, Stop
110	98-7750	4	Spring-Brush	240	99-8376	1	Nut-Hex
120	98-7751	1	Gear	250	98-7759	1	Pipe-Drain
130	98-7752	1	Retainer	260	98-9712	1	Band-Cover



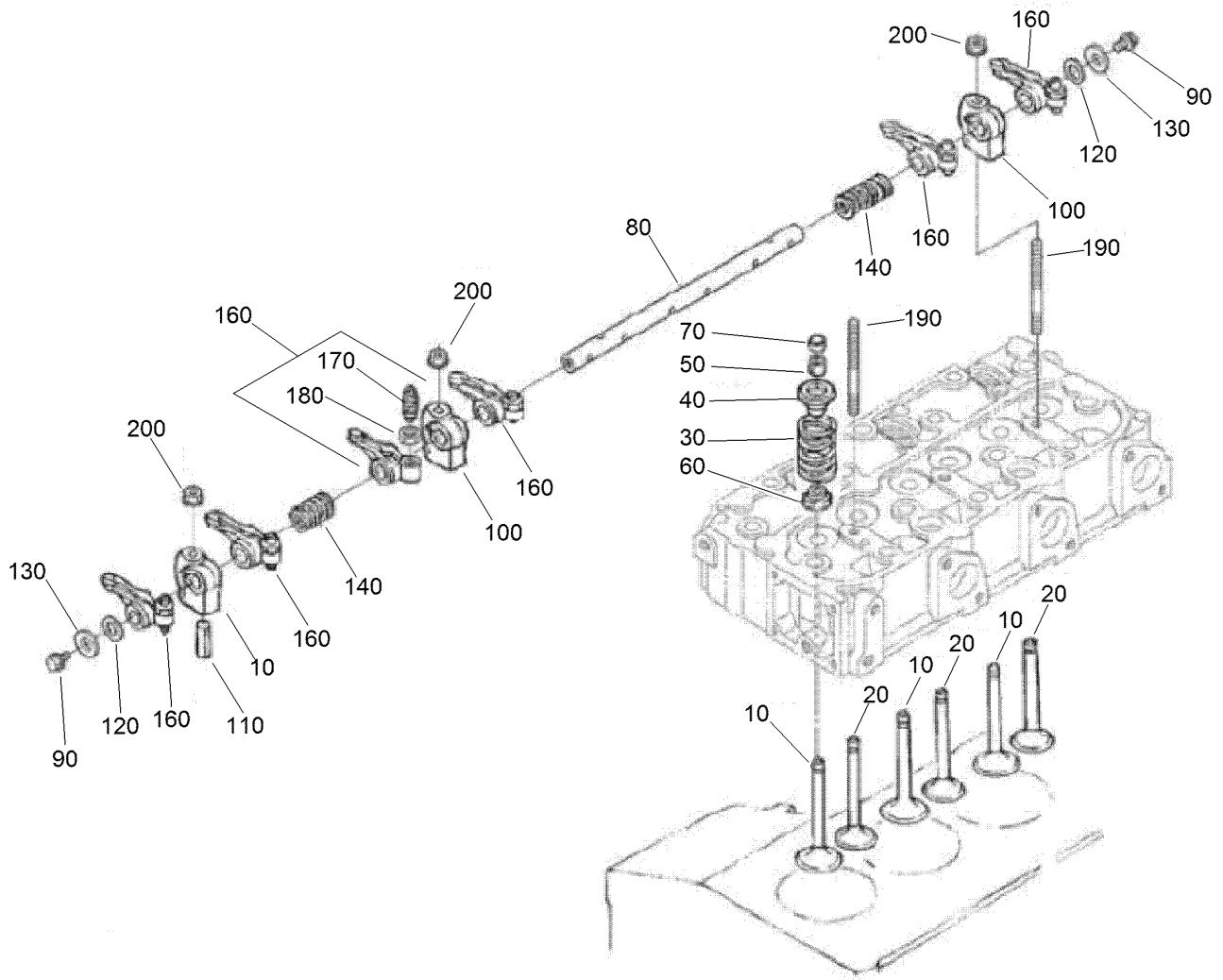
Water Flange and Thermostat Assembly

<i>Ref.</i>	<i>Part Number</i>	<i>Qty.</i>	<i>Description</i>
10	98-9713	1	Water Flange ASM
20	98-9580	1	Pipe-Return, Water
30	105-3747	1	Plug
40	99-3583	1	Gasket
50	98-9638	1	Gasket-Flange, Water
60	98-7692	3	Bolt
70	98-9356	1	Bolt
80	98-9578	1	Pipe-Return, Water
90	125-9078	2	Clamp-Hose
100	98-9719	1	Thermoswitch
110	98-7778	1	Thermostat ASM
120	104-4804	1	Outlet-Water
130	105-3748	1	Gasket-Thermostat
140	98-7777	2	Bolt



Water Pump Assembly

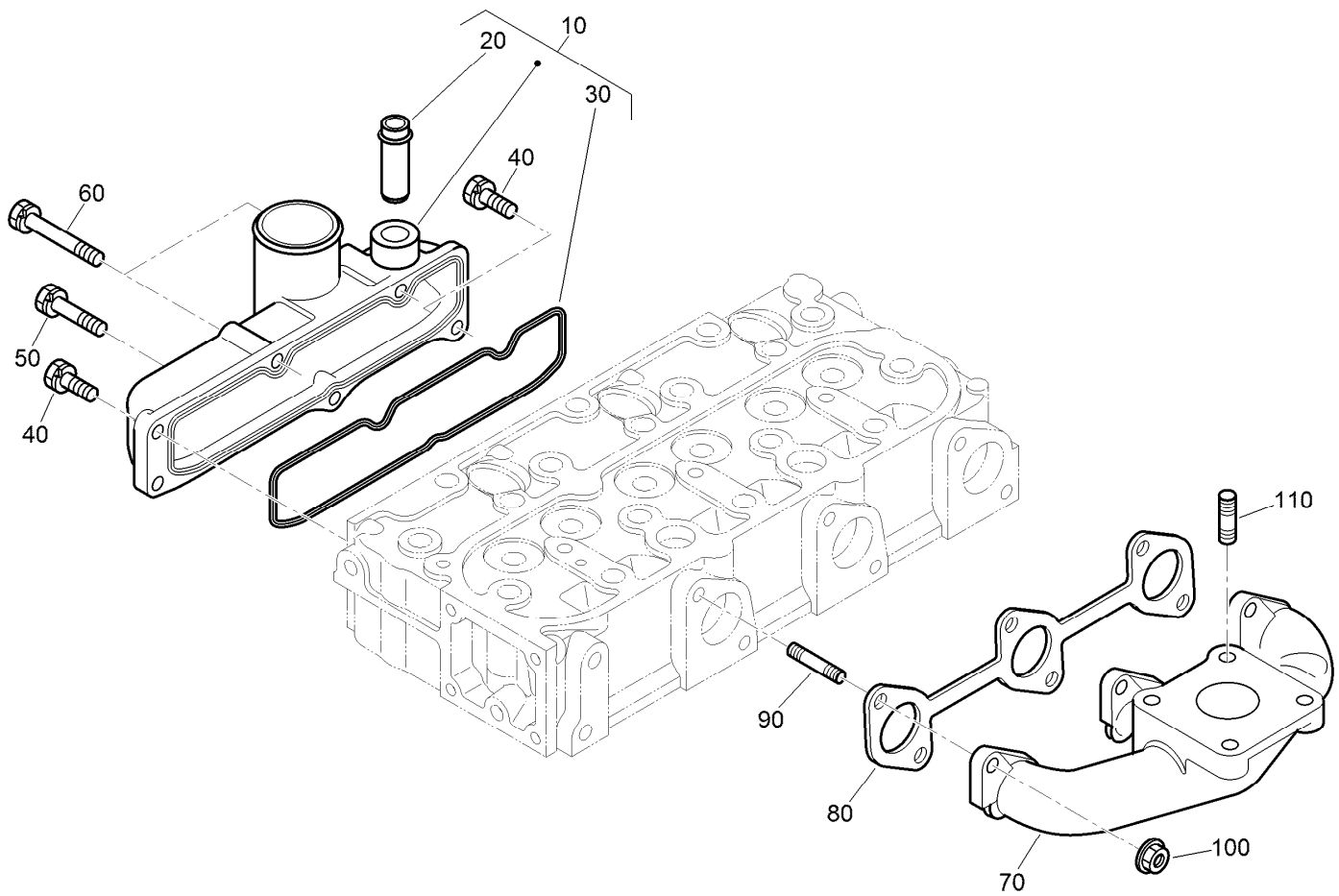
<i>Ref.</i>	<i>Part Number</i>	<i>Qty.</i>	<i>Description</i>
10	107-9089	1	Water Pump ASM
20	99-3516	1	Flange-Pump, Water
40	105-3750	1	Mechanical Seal ASM
50	112-7017	1	Impeller-Pump, Water
60	100-1932	1	Pipe-Return, Water
70	99-3454	1	Gasket-Pump, Water
80	98-9353	4	Bolt
90	107-9090	2	Bolt
100	98-9716	1	Pipe-Water
110	107-9091	1	Pipe-Water
120	127-0439	2	Clamp-Hose



Valve and Rocker Arm Assembly

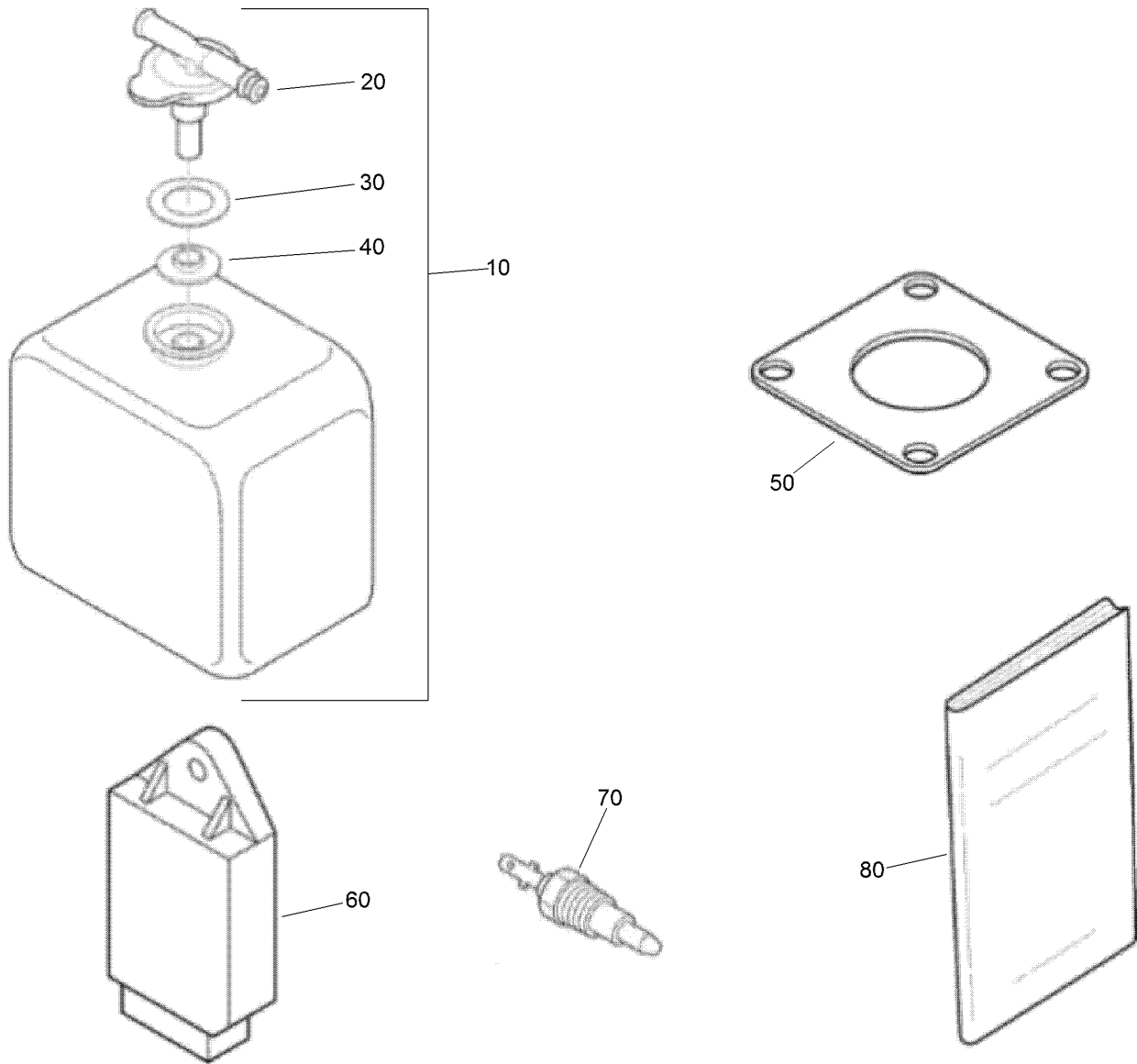
Ref.	Part Number	Qty.	Description
10	140-2459	3	Valve-Inlet
20	140-2460	3	Valve-Exhaust
30	98-9648	6	Spring-Valve
40	107-9092	6	Retainer-Spring
50	117-7572	6	Collet-Spring, Valve
60	99-8385	6	Seal-Stem, Valve
70	98-9497	6	Cap-Valve
80	130-1248	1	Shaft-Arm, Rocker
90	99-8363	2	Bolt-Flange
100	98-9505	3	Bracket-Arm, Rocker

Ref.	Part Number	Qty.	Description
110	105-3758	1	Pin-Spring
120	98-9507	2	Washer-Shaft, Rocker Arm
130	110-3832	2	Washer-Plain
140	98-9504	2	Spring-Arm, Rocker
160	112-7020	6	Rocker Arm ASM
170	98-9502	6	Screw-Adjusting
180	98-9503	6	Nut
190	98-9506	3	Stud
200	131-6563	3	Nut-Flange



Inlet and Exhaust Manifold Assembly

<i>Ref.</i>	<i>Part Number</i>	<i>Qty.</i>	<i>Description</i>
10	107-7843	1	Manifold Inlet ASM
20	98-9492	1	Joint-Pipe, Breather
30	98-9609	1	Gasket-Manifold, Inlet
40	127-0403	3	Bolt-Flange
50	98-9353	1	Bolt
60	125-9063	2	Bolt-Sems
70	107-9093	1	Manifold-Exhaust
80	99-8327	1	Gasket-Manifold, Exhaust
90	98-9588	6	Stud
100	98-9665	6	Nut
110	98-7769	4	Stud



Miscellaneous Engine Parts

<i>Ref.</i>	<i>Part Number</i>	<i>Qty.</i>	<i>Description</i>
10	104-9318	1	Bottle-Overflow
20	115-4132	1	Cap
30	105-3755	1	Gasket
40	105-3756	1	Plate
50	99-8343	1	Gasket-Muffler
60	140-2463	1	Controller-Glow
70	140-2462	1	Thermoswitch
80	140-2461	1	Manual-Operator

Attachments and Accessories

For 30807 Groundsmaster 3500-D Rotary Mower

Product Name	Model/Part
Operator Cooling Fan	03247
Switch Panel-Universal Sunshade.....	03248
Roller Scraper Kit.....	104-5168
Blade-High Lift	104-5183
Blade-Angle Sail	105-9810-03
Blade-Atomic	107-0235-03
27in Blade Service Pack (qty 6)	108-1462
Blade-27in Combo.....	108-9026
LH Short Liftarm Assembly	115-3465
RH Short Liftarm Assembly.....	115-3466
Wireless Hourmeter	115-4754
External Antenna Kit, Wireless Hourmeter System	115-9524
Base Station Kit, Wireless Hourmeter System	115-9542
Repeater Kit, Wireless Hourmeter System	115-9543
Roller Asm (UHMW)	131-7800
Hi-Back Seat Cover	133-1308
PX Hydraulic Fluid (5 Gal)	133-8086
PX Hydraulic Fluid (55 Gal).....	133-8087
Ballast Kit (27in C/U)	136-2881
Wheel Weight Kit	136-3315
3in Dia, 27in Sectional Roller Assembly.....	137-6145
Beacon Kit	138-2699
Sunshade Work Lights Kit.....	138-2700
Power Harness Kit	138-2993
Bimini Sunshade for 2-Post Roll-Over Protection System.....	30358
Premium Seat Kit.....	30629
White Universal Sunshade	30669
Red Universal Sunshade	30671
27in Rotary Cutting Unit.....	30834
Leaf Mulching Kit	30836
LED Light Kit.....	31696
New Red Paint - Gallon	361-11
Dark Metallic Gray Aerosol Paint	361-12
Semi-Gloss Black Spray Paint.....	361-9
1000 Hour MVP Kit	44963
MVP Kit, 1000 Hour	44965
Air Dry Red Paint - Qt	5340

Notes:

Notes:



Count on it.