



## Reelmaster<sup>®</sup> 5400-D 2 and 4 Wheel Drive Traction Unit

Model No. 03543—230000201 and Up

Model No. 03544—230000201 and Up

### Parts Catalog

---

#### Ordering Replacement Parts

To order replacement parts, please supply: the part number, the quantity, and the description of each part desired.

#### Understanding Reference Numbers

Each identified part in an illustration has a reference number. The reference number for a part also appears in the parts list, along with other information about the part.

This catalog uses two special reference number formats, one to indicate parts in a service assembly and another to indicate the quantity of a given part in an illustration.

#### Service Assembly Reference Numbers

Parts in service assemblies have reference numbers in the form **a:b**. The **a** represents the reference number of the entire service assembly and the **b** represents a sequential number unique to each part within the service assembly.

For example, a wheel assembly might be identified by reference number **6**, the tire by **6:1**, the valve by **6:2**, and the wheel by **6:3**. When you order the assembly identified by reference number **6**, you receive all parts identified by reference numbers **6:1**, **6:2**, and **6:3**. However, you may also order any part individually.

Reference numbers of this type appear in illustrations and in part lists.

#### Reference Numbers Indicating Quantity

In an illustration, if a reference number indicates more than one part, the reference number has the form **nX y**. The **n** represents the quantity of the part, the **X** is the multiplication symbol, and the **y** represents the reference number.

For example, in an illustration, the reference number **2X 37** means that two of the parts identified by reference number **37** are indicated.

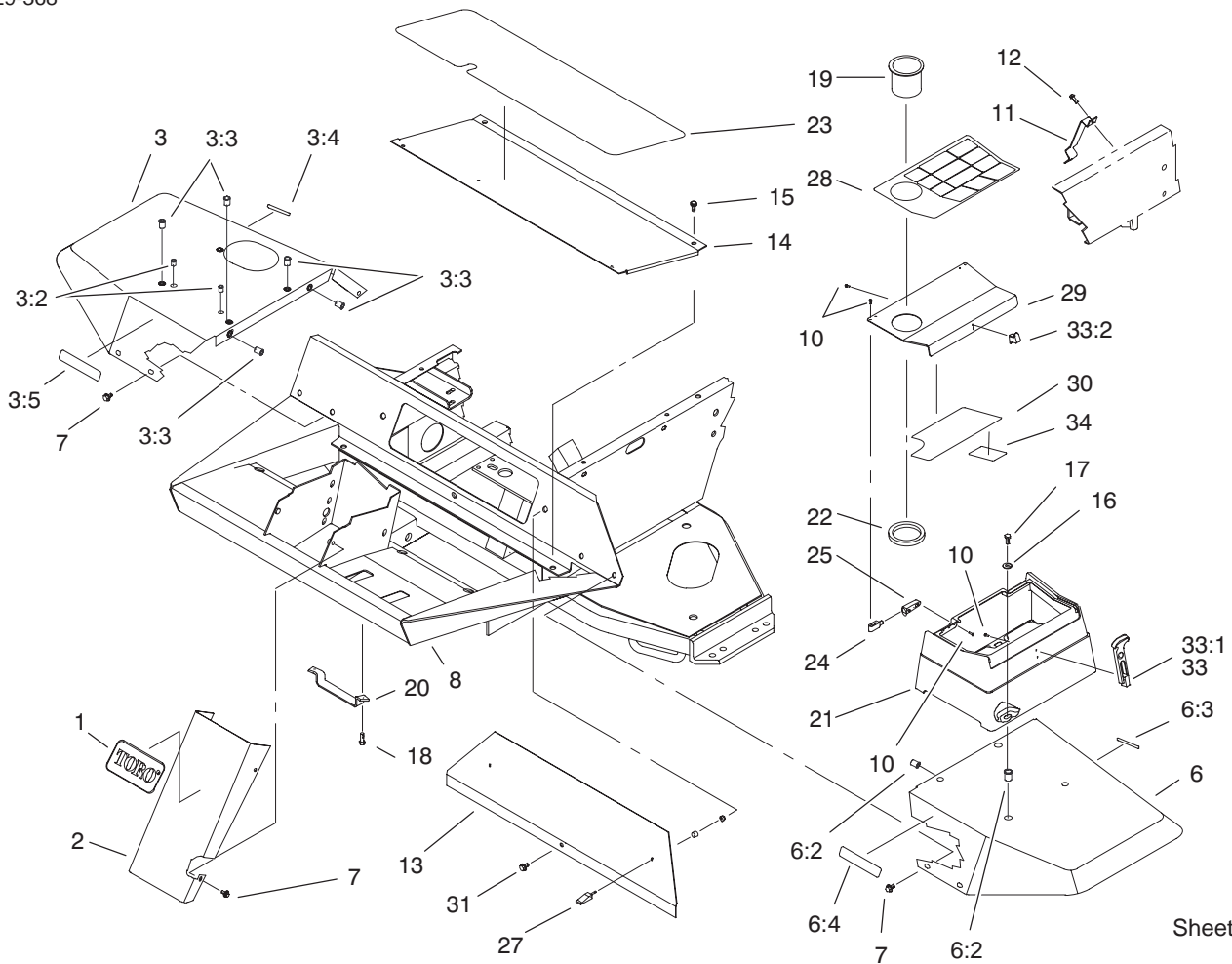
## Contents

<b>Description</b>	<b>Page</b>	<b>Description</b>	<b>Page</b>
Frame and Body Assembly .....	4	Axle Assembly No. 106-9212-03 .....	53
Frame Assembly No. 100-3870 .....	5	Brake Assembly .....	55
Steering Tower Assembly .....	6	Rear Axle Assembly No. 98-3925	
Power Steering Unit No. 75-0600 .....	7	Bevel Pinion Shaft Assembly .....	56
Traction and Brake Pedals Assembly .....	8	Rear Axle Assembly No. 98-3925 (Continued)	
Seat Frame and Throttle Assembly .....	9	Differential Assembly No. 95-7503 .....	57
Seat and Suspension Assembly .....	10	Rear Axle Assembly No. 98-3925 (Continued)	
Control Console Assembly .....	11	Axle Support Assembly .....	58
Hydraulic Filter and Reservoir Assembly .....	13	Rear Axle Assembly No. 98-3925 (Continued)	
Fuel Tank Assembly .....	15	Bevel Gear Case Assembly .....	59
Front Axle Assembly .....	16	Rear Axle Assembly No. 98-3925 (Continued)	
Transmission Assembly .....	17	Bevel Gear Shaft Assembly .....	60
Transmission Assembly No. 75-0012 .....	18	Rear Axle Assembly No. 98-3925 (Continued)	
Traction Control Assembly .....	20	Axle Case Assembly .....	61
Gear Pump Installation Assembly .....	21	Rear Axle Assembly No. 98-3925 (Continued)	
Gear Pump Assembly No. 98-9796 .....	22	Axle Case Assembly .....	62
Engine Installation Assembly .....	23	Hydraulic Schematic .....	63
Muffler and Pump Drive Assembly .....	24	Electrical Schematic .....	64
Engine Components Assembly .....	25	Electrical Schematic - Turfdefender .....	65
Air Cleaner Assembly No. 98-4517 .....	26	Crankcase Assembly .....	66
Water/Fuel Separator Assembly No. 98-9305 .....	27	Oil Pan Assembly .....	67
Fan Drive Assembly .....	28	Cylinder Head Assembly .....	68
Radiator Assembly .....	29	Gearcase and Oil Filter Assembly .....	69
Oil Cooler/Radiator Assembly .....	30	Filter, Oil Cooler and Pipe Assembly .....	70
Hood Assembly .....	31	Head Cover Assembly .....	71
Hydraulic Control Block and Hoses Assembly .....	32	Dipstick and Guide Assembly .....	72
Hydraulic Manifold Assembly No. 98-4579 .....	33	Main Bearing Case Assembly .....	73
Front Hydraulic Manifold Assembly .....	34	Camshaft Assembly .....	74
Rear Hydraulic Manifold Assembly .....	35	Piston and Crankshaft Assembly .....	75
Reel Motors Assembly .....	36	Flywheel Assembly .....	76
Reel Motor Assembly No. 100-6426 .....	37	Fuel Camshaft Assembly .....	77
Front Lift Circuit Assembly .....	38	Engine Stop Lever Assembly .....	78
Hydraulic Cylinder No. 93-9310 .....	39	Stop Solenoid and Fuel Pump Assembly .....	79
Hydraulic Cylinder Assembly No. 99-6986 .....	40	Injection Pump Assembly .....	80
Front Lift Arm Assembly .....	41	Injection Pump Assembly No. 98-9643 .....	81
Rear Lift Circuit Assembly .....	42	Governor Assembly .....	82
Hydraulic Cylinder No. 93-9311 .....	43	Speed Control Plate Assembly .....	83
Rear Lift Arm Assembly .....	44	Nozzle Holder and Glow Plug Assembly .....	84
Rear Axle Support Assembly .....	45	Nozzle Holder Assembly 98-9468 .....	85
2 Wheel Drive Axle Assembly (only on: 03543)	46	Alternator and Pulley Assembly .....	86
Rear Axle Assembly (only on:03543) .....	47	Alternator Assembly No. 98-9474 .....	87
Hydraulic Cylinder No. 75-1200		Starter Mount Assembly .....	88
(only on: 03543) .....	48	Starter Assembly No. 98-9705 .....	89
4 Wheel Drive Rear Axle Assembly		Water Flange and Thermostat Assembly .....	90
(only on: 03544) .....	49	Water Pump Assembly .....	91
Hydraulic Cylinder Assembly No. 98-8163		Valve and Rocker Arm Assembly .....	92
(only on: 03544) .....	50	Exhaust Manifold and Gasket Assembly .....	93
4 Wheel Drive Shaft Assembly (only on: 03544)	51	Turbo Charger Assembly .....	94
Roll-Over-Protection-System and		Special Tools .....	95
Stabilizer Assembly (only on: 03544) .....	52	Gauge Bar and Backlapping Brush Assembly .....	96

## Part Description Abbreviations

Part descriptions in this catalog may include the following abbreviations.

<b>Abbreviation</b>	<b>Meaning</b>	<b>Abbreviation</b>	<b>Meaning</b>
AR .....	as required	HYD .....	hydraulic
ASM .....	assembly	INC .....	incorporated
CARR .....	carriage	LH .....	left hand
DEG .....	degrees	NI .....	nylon insert
FH .....	flat head	PPH .....	Phillips pan head
GA .....	gauge	PTH .....	Phillips truss head
HF .....	hex flange	PTO .....	power take off
HH .....	hex head	RH .....	right hand
HHF .....	hex head flange	SFH .....	slotted fillister head
HLH .....	hex lag head	SHH .....	slotted hex head
HJ .....	hex jam	SQH .....	square head
HOC .....	height-of-cut	SHWH .....	slotted hex washer head
HS .....	hex socket	SPH .....	slotted pan head
HSBH .....	hex socket button head	SRH .....	slotted round head
HSFH .....	hex socket flat head	STD .....	standard
HSH .....	hex socket head	TAP .....	self tapping
HWH .....	hex washer head	TTH .....	Torx truss head
HWHTF .....	hex washer head thread forming	WH .....	wing head



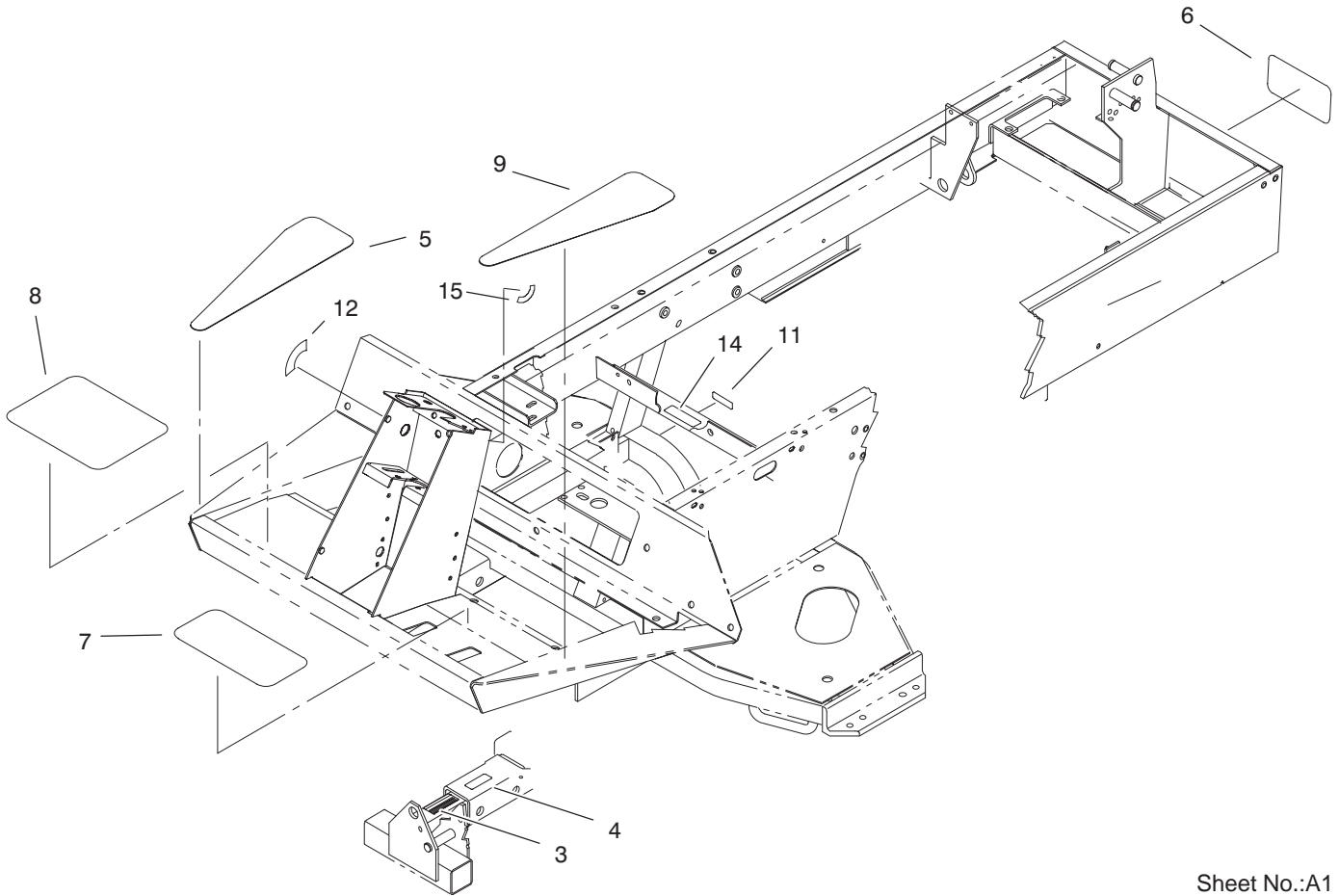
Sheet No.:2

## Frame and Body Assembly

Ref. No.	Part No.	Qty.	Description
1	62-5550	1	Decal
2	93-7996-01	1	Cover-Tower
3	106-5950	1	RH Fender ASM
3:2	32148-6	2	Insert-Nut
3:3	32148-7	5	Insert-Nut
3:4	93-6686	1	Decal-Oil, HYD
3:5	93-6689	1	Decal-No Riders
6	106-5951	1	LH Fender ASM
6:2	32148-7	6	Insert-Nut
6:3	93-6680	1	Decal-Diesel
6:4	93-6689	1	Decal-No Riders
7	3234-14	14	Screw-HHF
8	100-3870	1	Frame ASM
10	32144-1	11	Screw-T aptite
11	98-4572	1	Bracket-Clamp, Hose
12	32144-14	2	Screw-HWH
13	75-1390-01	1	Cover-Access, Front
14	75-1410-01	1	Plate-Access, Floor
*15	75-6840	4	Knob-Knurled
15	3234-7	1	Screw-HHF
16	3256-3	4	Washer-Flat
17	322-5	4	Screw-HH
18	322-4	2	Screw-HH
19	94-1410	1	Holder-Can, Beverage
20	93-3626	1	Bracket-Hose
21	104-0026	1	Toolbox

Ref. No.	Part No.	Qty.	Description
22	104-1476	1	Ring-Rubber
23	75-0630	1	Tread-Foot, Center
24	104-1496	2	Hinge-Pin
25	104-1497	2	Hinge-Receiver
27	74-5950	2	Latch-Swell
28	104-9294	1	Decal-W arning
28	104-9295	1	Decal-W arning, Ce
29	104-1489-03	1	Cover-Toolbox
30	105-7515	1	Decal-Service
30	104-1434	1	Decal-Service, Blank
31	3234-5	1	Screw
33	94-5626	1	Latch-Draw, Flexible
33:1	100-5806	1	Handle-Latch
33:2	100-5807	1	Keeper-Latch
34	105-7527	1	Decal-Numbers, Filter

\* Not illustrated

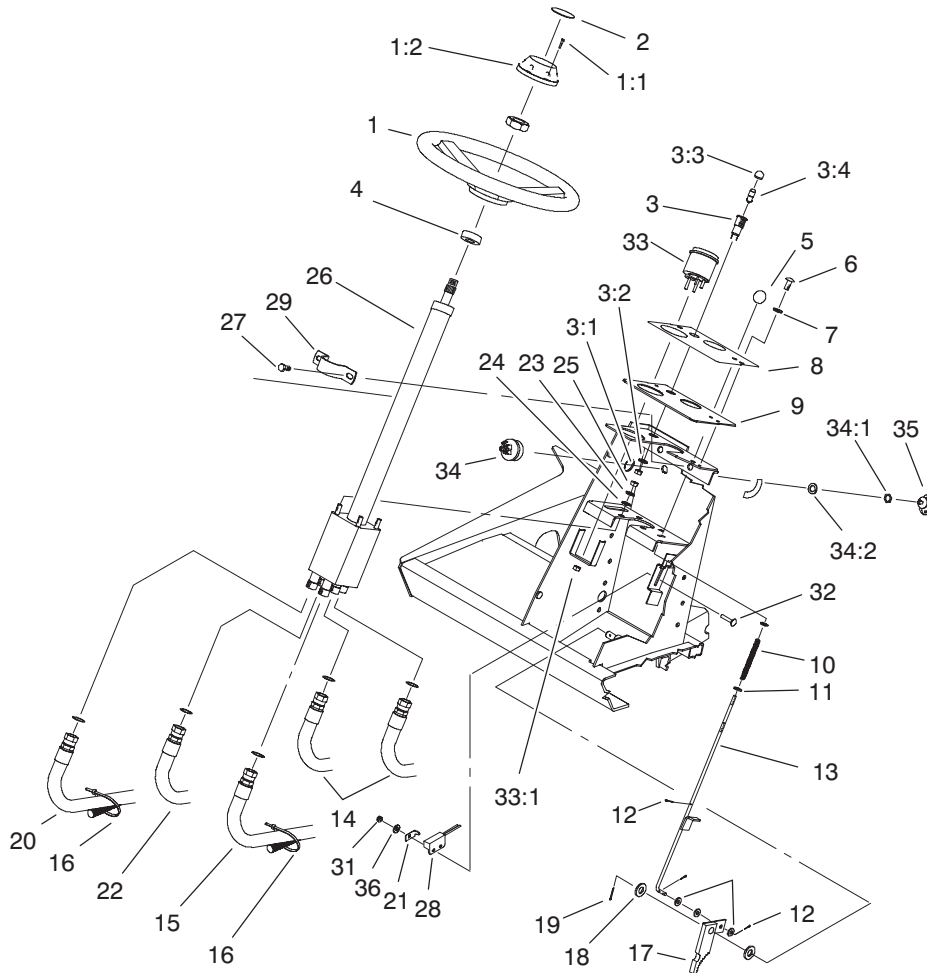


Sheet No.:A1  
T-3730

### Frame Assembly No. 100-3870

Ref. No.	Part No.	Qty.	Description
3	93-6693	1	Decal-Plate, Floor
4	93-6686	1	Decal-Oil, HYD
5	75-0640	1	Tread-Footrest, RH
6	62-7400	1	Decal
7	75-0620	1	Tread-Foot, LH
8	75-0610	1	Tread-Foot, RH
9	75-0650	1	Tread-Footrest, LH
11	93-6691	1	Decal-Bolt, Eccentric
12	93-6699	1	Decal-Fast/Slow
14	104-2052	1	Decal-Ansi
15	105-7506	1	Decal-Switch, Key

Ref. No.	Part No.	Qty.	Description



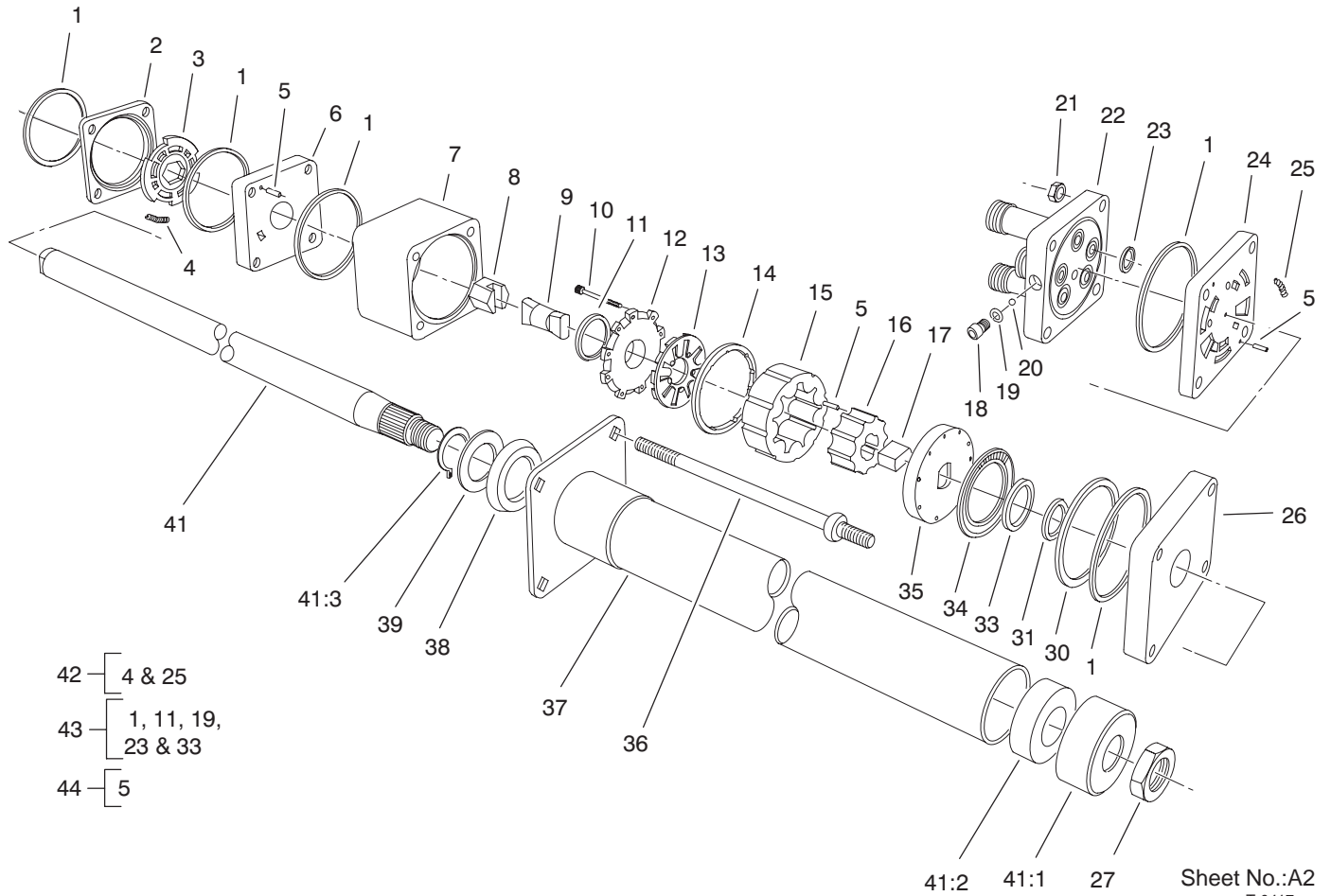
Sheet No.:3

## Steering Tower Assembly

Ref. No.	Part No.	Qty.	Description
1	75-0560	1	Wheel-Steering
1:1	32144-21	1	Screw
1:2	68-5140	1	Cap-Steering Wheel
2	68-5370	1	Decal-Toro
3	44-2210	1	Light-Indicator , Red
3:1	218-535	1	Nut-Hex
3:2	218-536	1	Washer-Lock
3:3	218-533	1	Lens
☆3:4		1	Bulb
4	21-9260	1	Cover-Dust
5	233-17	1	Knob
6	87-6620	2	Screw
7	3256-1	2	Washer-Flat
8	93-1263	1	Decal-Tower
9	93-7998-03	1	Plate-Instrument
10	95-1821-03	1	Spring-Compression
11	3256-22	5	Washer-Flat
12	3272-5	3	Pin-Cotter
13	104-1492	1	Rod ASM
14	75-6230	2	Hose
15	75-6240	1	Hose
16	3290-378	4	Tie-Cable
17	63-7900-03	1	Rack ASM
18	3256-26	2	Washer-Flat
19	3272-10	1	Pin-Cotter
20	75-5940	1	Hose

Ref. No.	Part No.	Qty.	Description
21	100-4872	1	Plate-Switch, Neutral
22	75-6250	1	Hose
23	3256-23	4	Washer-Flat
24	3255-8	1	Washer-Lock
25	3296-20	4	Nut-Lock, NI
26	75-0600	1	Unit-Steering, Power
27	32144-11	2	Screw-T AP
28	100-1270	1	Switch-Proximity
29	75-2810	1	Bracket-Column, Steering
31	3296-2	1	Nut-Lock
32	104-1450	1	Bolt-CARR
33	104-9324	1	Speedometer
33:1	3296-1	4	Nut-Lock, NI
34	99-2319	1	Key-Switch
34:1	218-446	1	Nut-Hex
34:2	218-447	1	Washer-Lock
35	63-8360	1	Key-Ignition
36	3256-14	1	Washer-Flat

☆ Not serviced separately

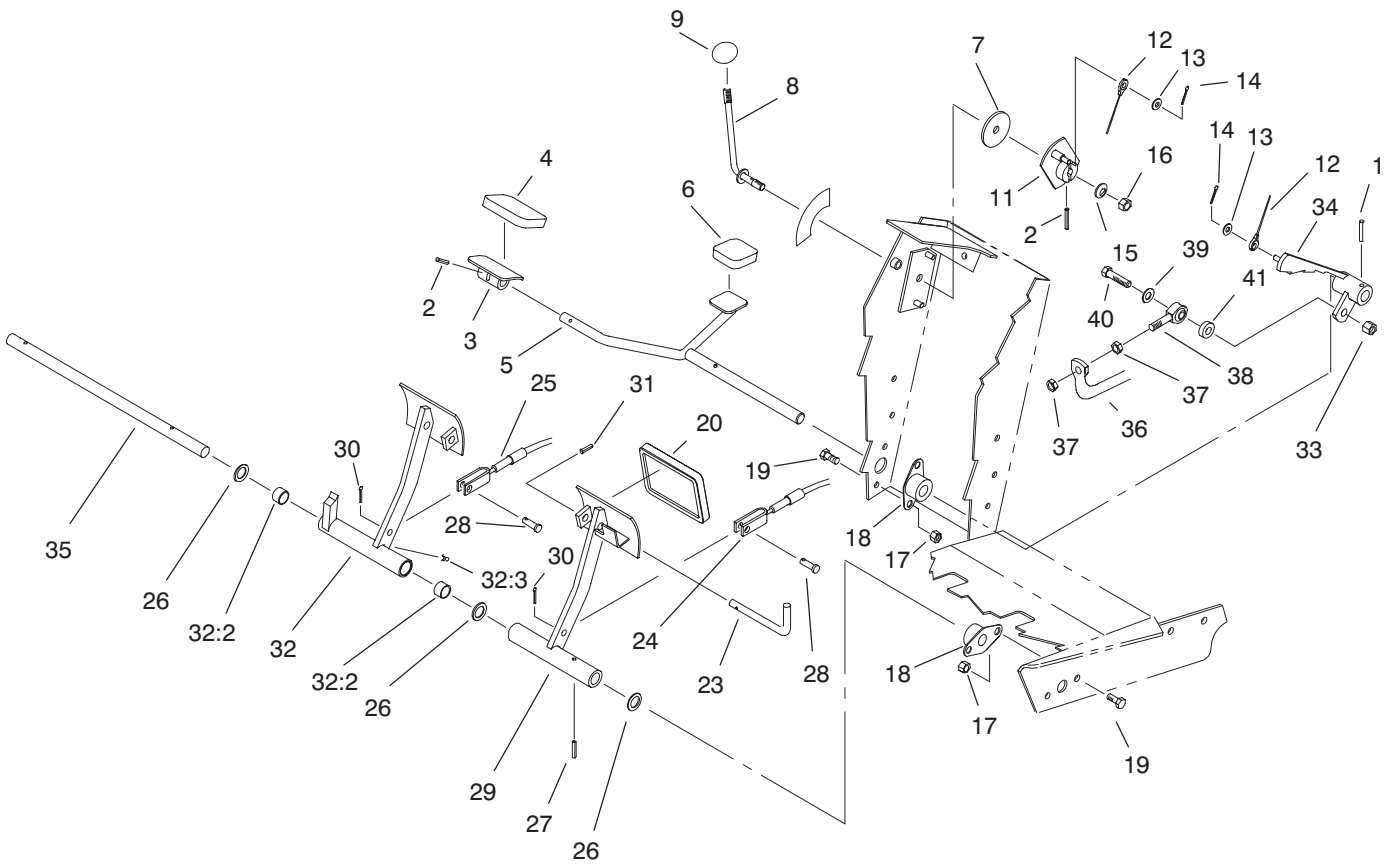


## Power Steering Unit No. 75-0600

Ref. No.	Part No.	Qty.	Description
☆1		5	Ring-Seal
☆2		1	Ring-V valve
☆3		1	Plate-V valve
☆4		3	Spring
☆5		9	Pin-Alignment
☆6		1	Manifold-Isolation
☆7		1	Ring-Metering
☆8		1	Hex Drive ASM
☆9		1	Link-Drive
☆10		11	Screw-HSH
☆11		1	Seal-Commutator
☆12		1	Cover-Commutator
☆13		1	Commutator
☆14		1	Ring-Commutator
☆15		1	Stator
☆16		1	Rotor
☆17		1	Spacer-Drive Link
☆18		1	Plug
☆19		1	O-Ring
☆20		1	Ball
☆21		4	Nut-Hex
☆22		1	Cover-Port
☆23		5	O-Ring
☆24		1	Manifold-Port
☆25		3	Spring
☆26		1	Plate-Cover , Upper

Ref. No.	Part No.	Qty.	Description
27	3220-6	1	Nut-Jam
☆30		1	Spacer-Bearing, Thrust
☆31		1	Spacer-Seal
☆33		1	Seal-Face
☆34		1	Bearing-Thrust
☆35		1	Plate-Drive
36	93-3609	4	Bolt-Special
37	66-9860	1	Cover And Jacket-Upper
38	66-9870	1	Plate-Retaining
39	66-9880	1	Washer-Plate, Retaining
41	66-9900	1	Shaft-Input
41:1	92-7315	1	Seal-Upper
41:2	104-9327	1	Bushing-Column
41:3	66-9890	1	Ring-Retaining
42	66-9970	1	Spring Kit
43	66-9980	1	Seal Kit
44	66-9990	1	Needle Roller Kit

☆ Not serviced separately

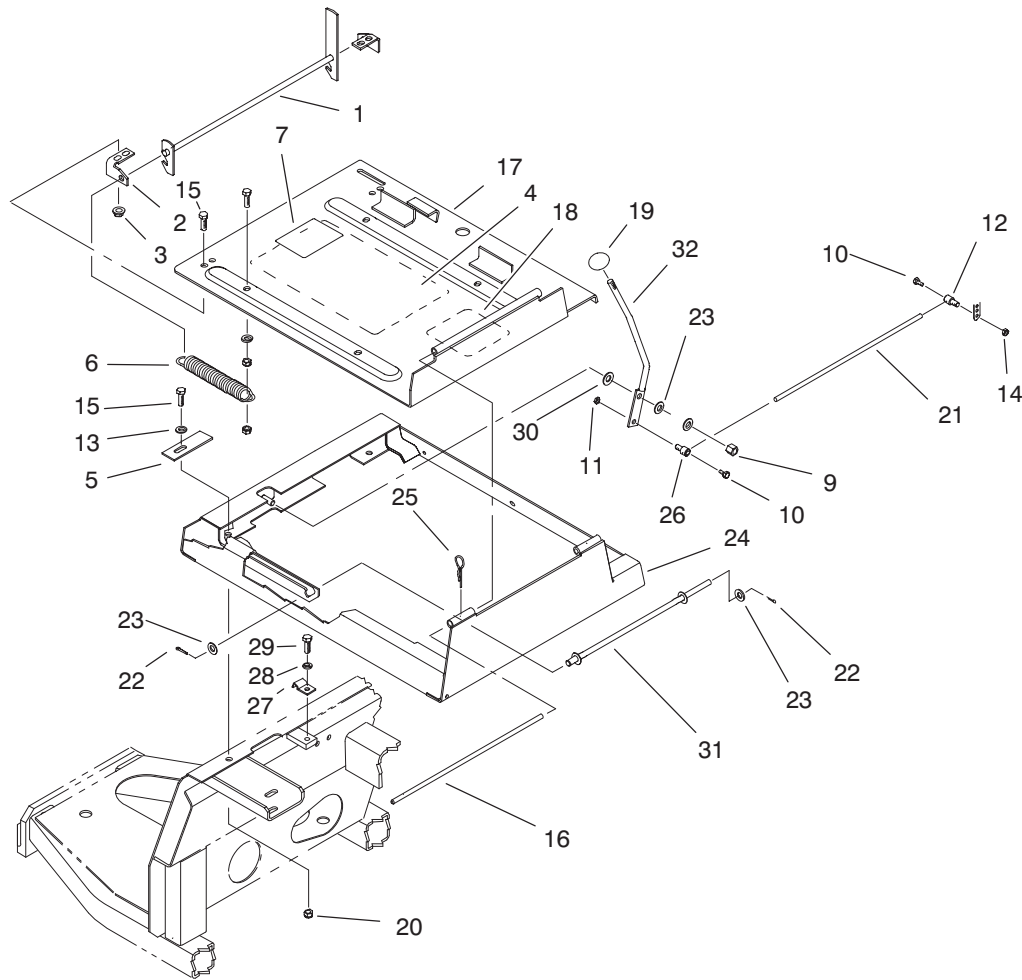


Sheet No.:4

## Traction and Brake Pedals Assembly

Ref. No.	Part No.	Qty.	Description
1	32121-6	1	Pin-Roll
2	32121-45	2	Pin-Spring
3	49-6440-03	1	Pedal-Forward
4	74-9100	1	Pad-Pedal, Forward
5	75-2970	1	Pedal-Traction
6	74-9110	1	Pad-Pedal, Reverse
7	75-6550	1	Disc-Friction
8	75-6490	1	Lever
9	233-42	1	Knob
11	75-6510	1	Bracket-Lever
12	75-6580	1	Cable-Pedal
13	3256-22	2	Washer-Flat
14	3272-2	2	Pin-Cotter
15	3290-461	1	Washer-Spring
16	3296-59	1	Nut-Lock, NI
17	3296-29	8	Nut-Lock, NI
18	256-236	4	Bearing-Mount, Flange
19	322-3	8	Screw-HH
20	93-8742	2	Footpad-Brake
23	63-7880	1	Pin-Latch, Brake
24	63-7733	1	LH Brake Cable ASM
25	63-7732	1	RH Brake Cable ASM
26	3256-69	3	Washer-Flat
27	32121-16	1	Pin-Spring
28	283-58	2	Pin-Clevis

Ref. No.	Part No.	Qty.	Description
29	75-1440-03	1	Pedal-Brake, LH
30	3272-10	2	Pin-Cotter
31	32121-50	1	Pin-Spring
32	75-1430	1	Pedal-Brake, RH
32:2	256-42	2	Bushing
32:3	302-5	1	Fitting-Grease
33	3296-39	1	Nut-Lock, NI
34	75-3270-03	1	Hub-Pivot, Traction
35	75-1470	1	Pin-Pivot, Brake
36	75-2170-03	1	Tube-Control, Pump
37	3220-3	2	Nut-Jam
38	2411-36	1	Bearing-End, Rod
39	3256-24	1	Washer-Flat
40	323-9	1	Screw-HH
41	5-0652	1	Spacer

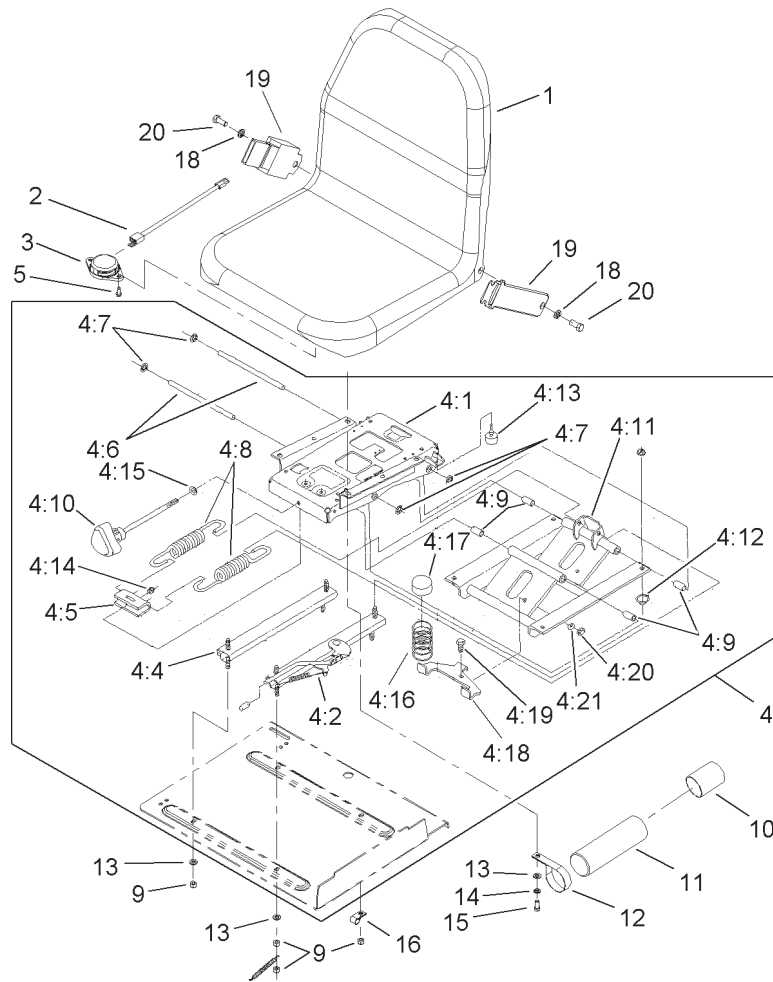


Sheet No.:5

## Seat Frame and Throttle Assembly

Ref. No.	Part No.	Qty.	Description
1	98-2354-03	1	Latch-Seat
2	98-2353	2	Bracket-Latch, Seat
3	32128-25	4	Nut-Flange
4	98-9342	1	Decal
5	98-9302	1	Plate-Stop, Idler
6	66-4190-03	1	Spring-Idler, Clutch
7	105-4674	1	Decal-Noise, Ce
9	3296-39	1	Nut-Lock, NI
10	25-8640	2	Screw-HH
11	3296-3	1	Nut-Lock, NI
12	98-931 1	1	Swivel-Throttle
13	3256-23	1	Washer-Flat
14	3296-20	1	Nut-Lock, NI
15	322-3	8	Screw-HH
16	75-3400	1	Shaft-Pivot, Seat
17	98-2350-03	1	Plate-Seat
18	93-8060	1	Decal-Reels
19	233-42	1	Knob
20	3296-29	4	Nut-Lock, NI
21	98-9303	1	Cable-Throttle
22	3272-10	2	Pin-Cotter
23	3256-24	3	Washer-Flat
24	98-2352-03	1	Frame-Seat
25	3290-467	1	Pin-Hair
26	93-0021	1	Swivel-Cable, Throttle
27	3-6657	1	Clip-Skid

Ref. No.	Part No.	Qty.	Description
28	3253-3	1	Washer-Lock
29	321-4	1	Screw-HH
30	66-2920	2	Washer-Friction
31	75-3680-03	1	Rod-Seat
32	75-3430-03	1	Lever-Throttle

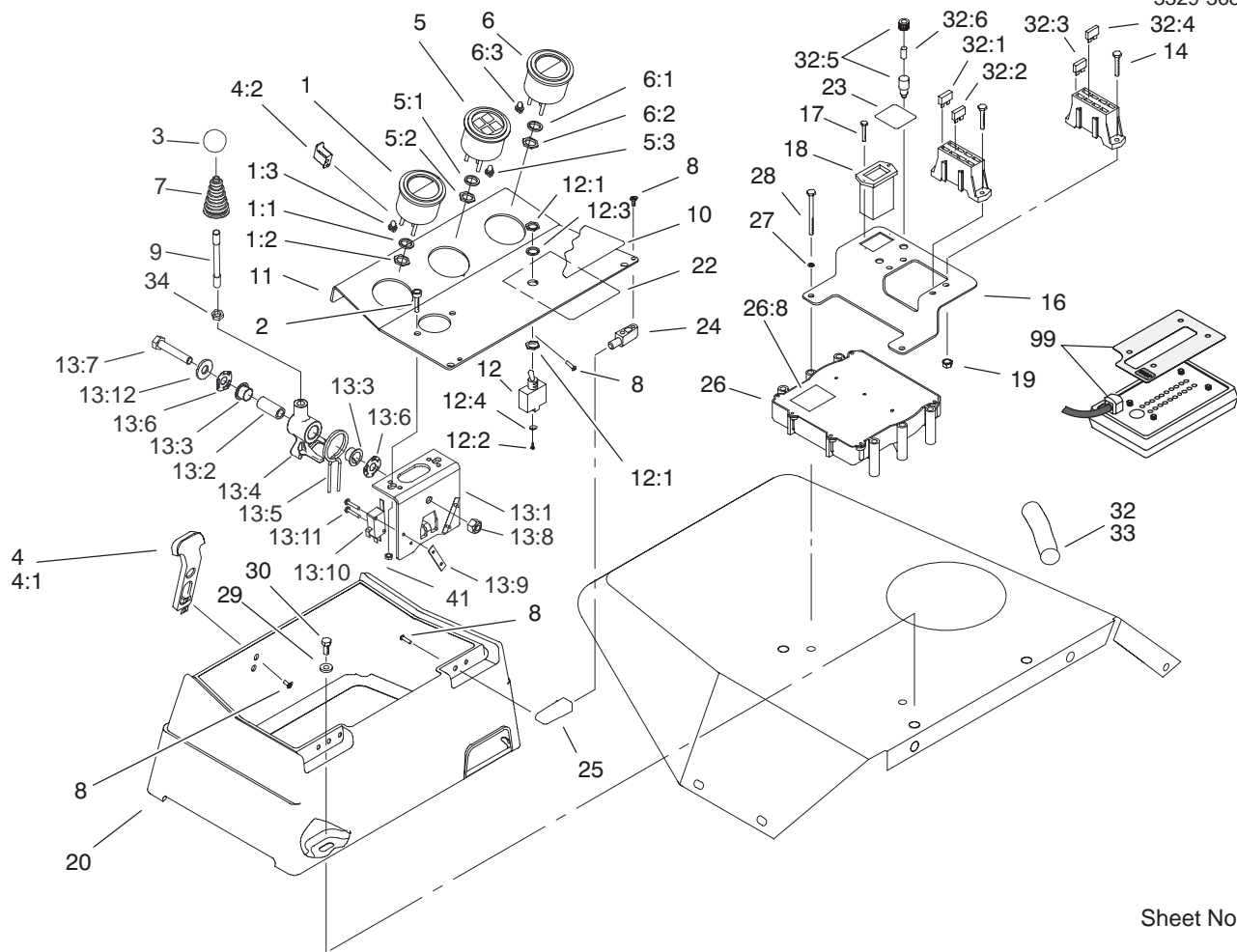


Sheet No.:6

## Seat and Suspension Assembly

Ref. No.	Part No.	Qty.	Description
1	104-4620	1	Seat-Olympic, Toro
2	106-7090	1	Harness-Wire, Seat Switch
3	92-6282	1	Switch-Seat
4	76-1970	1	Seat Suspension ASM
4:1	66-8600	1	Frame-Upper
4:2	66-8510	1	Adjuster W/Handle
4:4	66-8530	1	Adjuster
4:5	77-2870	1	Hanger-Spring
4:6	76-1910	2	Shaft-Pivot
4:7	66-8560	4	Nut-Push
4:8	76-1940	2	Spring-Extension
4:9	76-1920	4	Sleeve-Bearing
4:10	106-1031	1	Tension Adjuster Knob ASM
4:11	66-8610	1	Frame-Lower
4:12	66-9290	4	Spacer-Suspension
4:13	76-2940	2	Bumper
4:14	32153-2	1	Nut-Lock
4:15	3256-24	1	Washer-Flat
4:16	93-3163	2	Spring
4:17	93-3164	2	Cap
4:18	93-3165	1	Bracket
4:19	322-6	1	Screw-HH
4:20	3217-6	1	Nut-Hex
4:21	3253-33	1	Washer-Lock

Ref. No.	Part No.	Qty.	Description
5	32144-10	2	Screw-HWH
9	3296-29	5	Nut-Lock, NI
10	104-7048	1	Cap-Housing
11	104-7050	1	Housing-Manual
12	2412-133	2	R-Clamp
13	3256-23	8	Washer-Flat
14	3253-4	4	Washer-Lock
15	322-3	4	Screw-HH
16	2412-93	1	Clamp-R
18	3253-6	2	Washer-Lock (only on: 03544)
19	21-4191	1	Seat Belt ASM (only on: 03544)
20	3212-4	2	Screw-HH (only on: 03544)

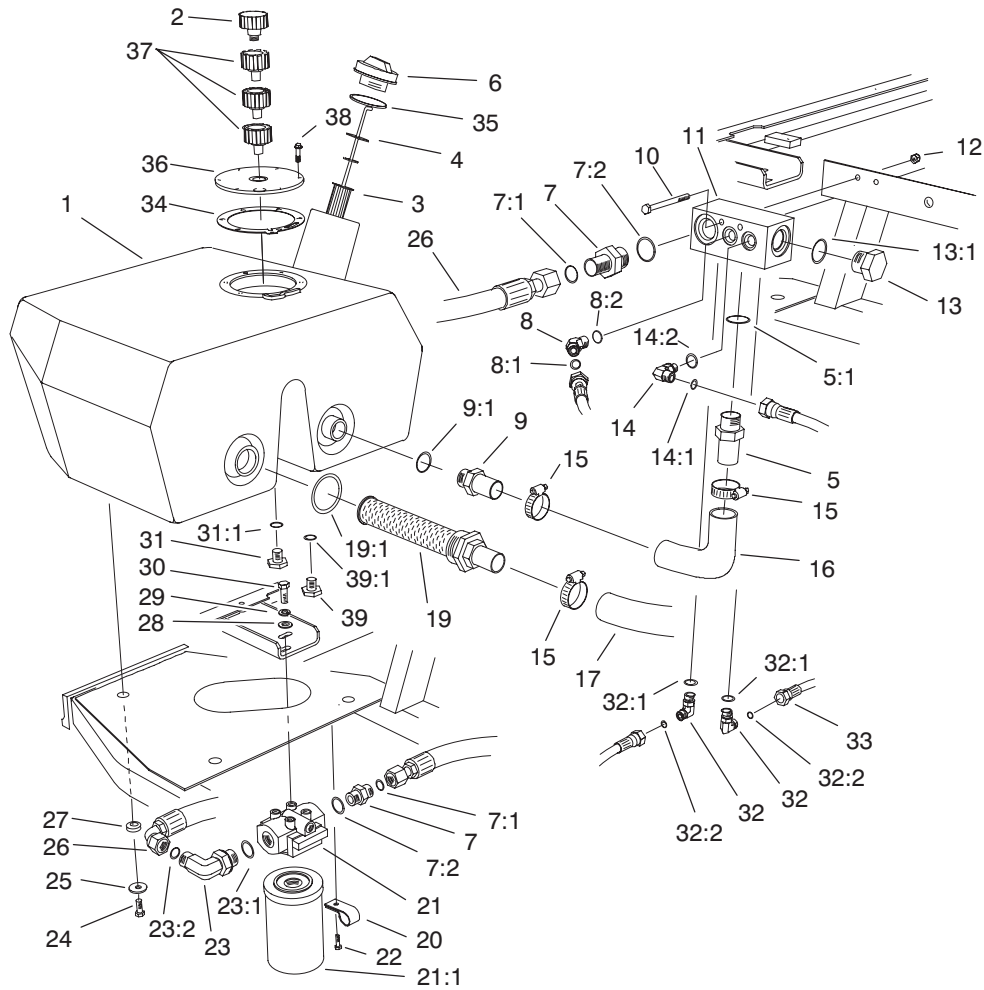


## Control Console Assembly

Ref. No.	Part No.	Qty.	Description
1	98-9339	1	Gauge-Fuel
1:1	3254-1	3	Washer-Lock, Int
1:2	3217-27	3	Nut-Hex
1:3	105-9265	1	Bulb And Lamp ASM
2	3258-166	2	Screw
3	233-42	1	Knob
4	94-5626	1	Latch-Draw , Flexible
4:1	100-5806	1	Handle-Latch
4:2	100-5807	1	Keeper-Latch
5	98-9306	1	Light-W arning
5:1	3254-1	1	Washer-Lock, Int
5:2	3217-27	1	Nut-Hex
5:3	105-9264	4	Bulb And Lamp ASM
6	98-9308	1	Gauge-Temperature
6:1	3254-1	3	Washer-Lock, Int
6:2	3217-27	3	Nut-Hex
6:3	105-9265	1	Bulb And Lamp ASM
7	93-5961	1	Boot-Lever
8	32144-1	11	Screw-T aptite
9	105-7508	1	Lever-Joystick
10	104-9296	1	Decal-Control
11	104-9251-03	1	Plate-Instrument
12	99-8352	1	Switch-Backlap, Master
12:1	218-498	2	Locknut
12:2	218-588	3	Screw

Ref. No.	Part No.	Qty.	Description
12:3	218-589	1	Nut/Lockwasher
12:4	3253-19	3	Washer-Lock
13	106-4167	1	Joystick Bracket ASM
13:1	106-4168-03	1	Bracket-Joystick
13:2	106-4192	1	Spacer
13:3	93-5547	2	Bushing-Nylon
13:4	105-7507	1	Hub-Pivot, Joystick
13:5	105-8289	1	Spring-Torsion
13:6	106-4193	2	Washer-Finger , Spring
13:7	322-9	1	Screw-HH
13:8	3296-29	1	Nut-Lock, NI
13:9	3290-354	2	Nut-Speed
13:10	111332	2	Switch
13:11	147665	4	Screw-HH
13:12	3256-3	1	Washer-Flat
14	32105-13	4	Screw-SHH
16	104-1499-03	1	Bracket-Block, Fuse
17	32144-18	2	Screw-HH
18	75-6820	1	Hourmeter
19	3296-2	4	Nut-Lock
20	104-0027	1	Box-Control
22	94-6767	1	Decal-Fuses
23	104-9298	1	Decal-Controller
24	104-1496	2	Hinge-Pin
25	104-1497	2	Hinge-Receiver
26	92-5720	1	Controller-Electronic





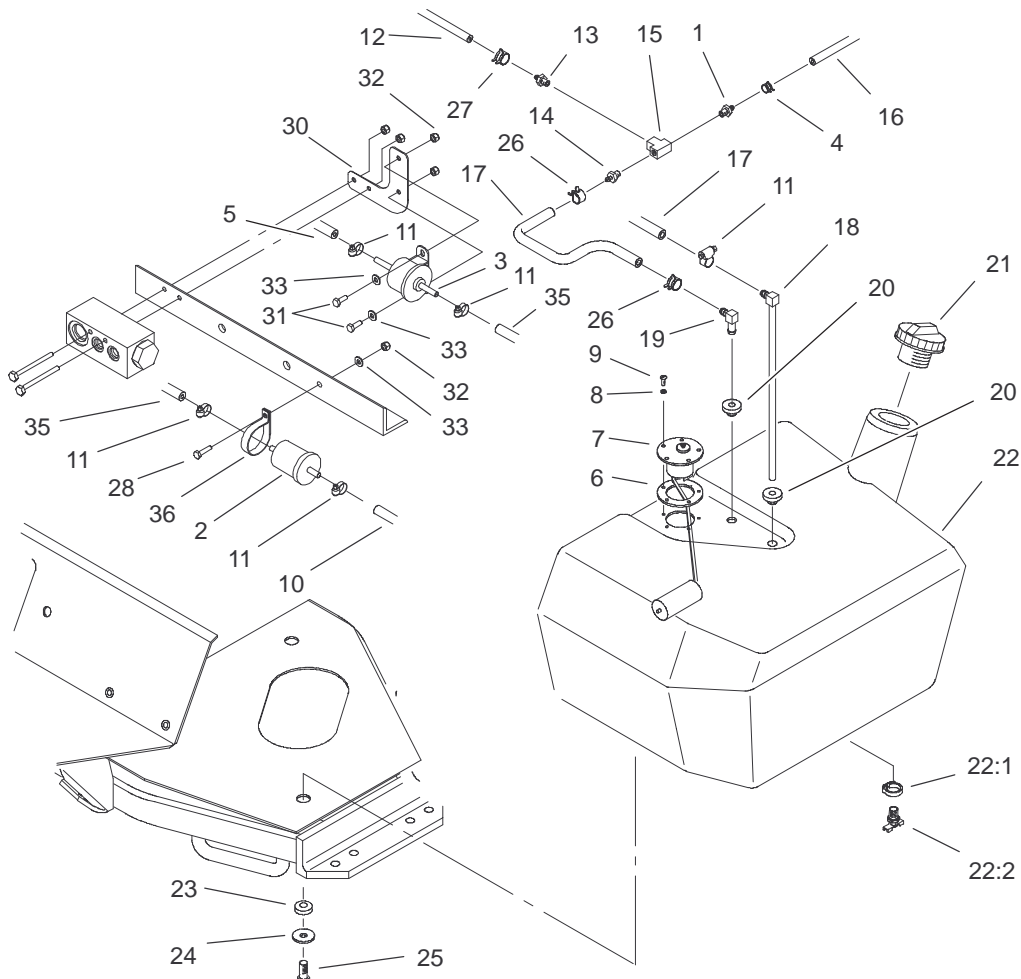
Sheet No.:8

## Hydraulic Filter and Reservoir Assembly

Ref. No.	Part No.	Qty.	Description
1	104-9254	1	Tank-Oil
2	68-6150	1	Breather
3	61-2790	1	Filter-Screen
4	94-941 1	1	Dipstick
5	354-73	1	Fitting
5:1	237-81	1	O-Ring
6	93-7498	1	Plug-Plastic
7	340-8	2	Adapter
7:1	237-65	1	O-Ring
7:2	237-81	1	O-Ring
8	340-87	1	Fitting-HYD, 45°
8:1	237-22	1	O-Ring
8:2	237-42	1	O-Ring
9	99-6932	1	Fitting-Barb, Hose
9:1	237-1 17	1	O-Ring
10	321-23	2	Screw-HH
11	92-9098	1	Manifold-Tank
12	3296-42	2	Nut-Lock, NI
13	354-74	1	Fitting
13:1	237-81	1	O-Ring
14	340-77	1	Fitting-HYD, 90°
14:1	237-22	1	O-Ring
14:2	237-42	1	O-Ring
15	2412-34	3	Clamp-Hose
16	75-5720	1	Hose-Return
17	75-6870	1	Hose-Inlet, Pump

Ref. No.	Part No.	Qty.	Description
19	104-7546	1	Strainer-Tank
19:1	340-136	1	O-Ring
20	2412-93	2	Clamp-R
21	75-1300	1	Oil Filter ASM
21:1	75-1310	1	Element-Filter
22	32144-10	2	Screw-HWH
23	340-139	1	Fitting-HYD, 90°
23:1	237-81	1	O-Ring
23:2	237-65	1	O-Ring
24	33105-025	3	Screw-HHF
25	63-8410	3	Washer
26	75-6130	1	Hose
27	240-1 1	3	Grommet-Mount, Tank
28	3256-24	2	Washer-Flat
29	3253-21	2	Washer-Lock
30	323-4	2	Screw-HH
31	353-550	1	Plug-HYD
31:1	237-79	1	O-Ring
32	340-82	2	Adapter
32:1	237-42	1	O-Ring
32:2	237-21	1	O-Ring
33	100-3739	1	Return Drain Hose ASM
34	93-7499	1	Gasket
35	237-101	1	O-Ring





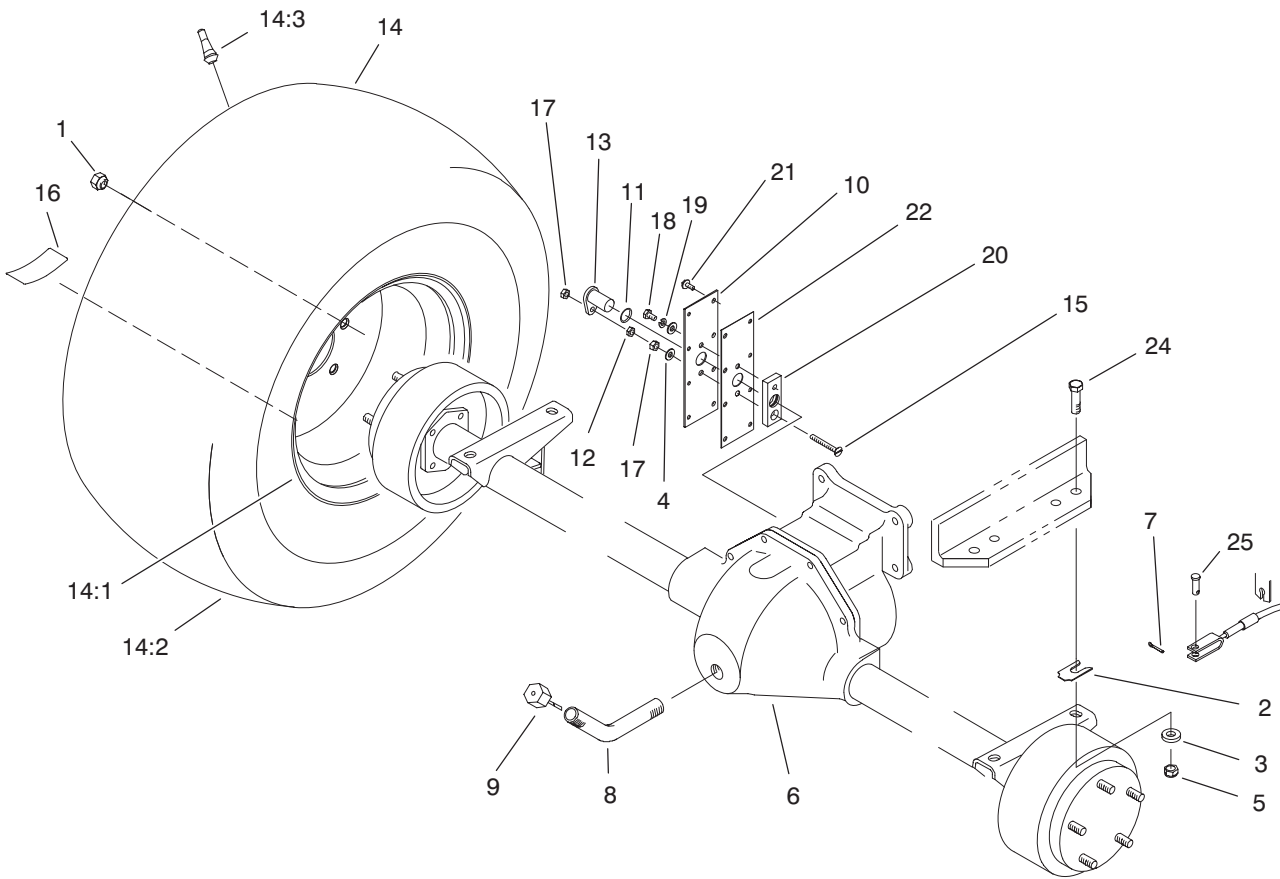
Sheet No.:9

## Fuel Tank Assembly

Ref. No.	Part No.	Qty.	Description
1	304-73	1	Connector-Hose
2	98-7612	1	Filter-Fuel
3	104-5215	1	Pump-Fuel, Electric
4	2412-98	1	Clamp
5	23-2140	1	Hose-Fuel
6	62-7650	1	Gasket
7	63-7640	1	Sender-Fuel
8	3253-15	5	Washer-Lock/Sp
9	32122-24	5	Screw-Pth
10	27-5370	1	Hose-Fuel
11	2412-108	6	Clamp-W orm
12	75-4700	1	Hose-Fuel
13	354-22	1	Fitting-Barb
14	354-21	1	Fitting-Barb
15	354-20	1	Fitting-T ee
16	98-9338	1	Hose-Fuel
17	27-5340	1	Hose-Fuel
18	66-8121	1	Standpipe
19	46-6550	1	Fitting-HYD, 90°
20	46-6560	2	Bushing
21	93-3102	1	Cap-Fuel
22	105-7933	1	Tank-Fuel
22:1	2412-36	1	Clamp-Hose
22:2	304-46	1	Draincock
23	240-11	3	Grommet-Mount, Tank

Ref. No.	Part No.	Qty.	Description
24	63-8410	3	Washer
25	33105-025	3	Screw-HHF
26	92-2379	2	Clamp-Hose
27	2412-146	2	Clamp-Hose
28	321-6	1	Screw-HH
30	104-9333	1	Bracket-Pump, Fuel
31	321-4	2	Screw-HH
32	3296-42	3	Nut-Lock, NI
33	3256-22	3	Washer-Flat
*34	3290-378	1	Tie-Cable
35	27-5360	1	Hose-Fuel
36	2412-148	1	Clamp-R

\* Not illustrated



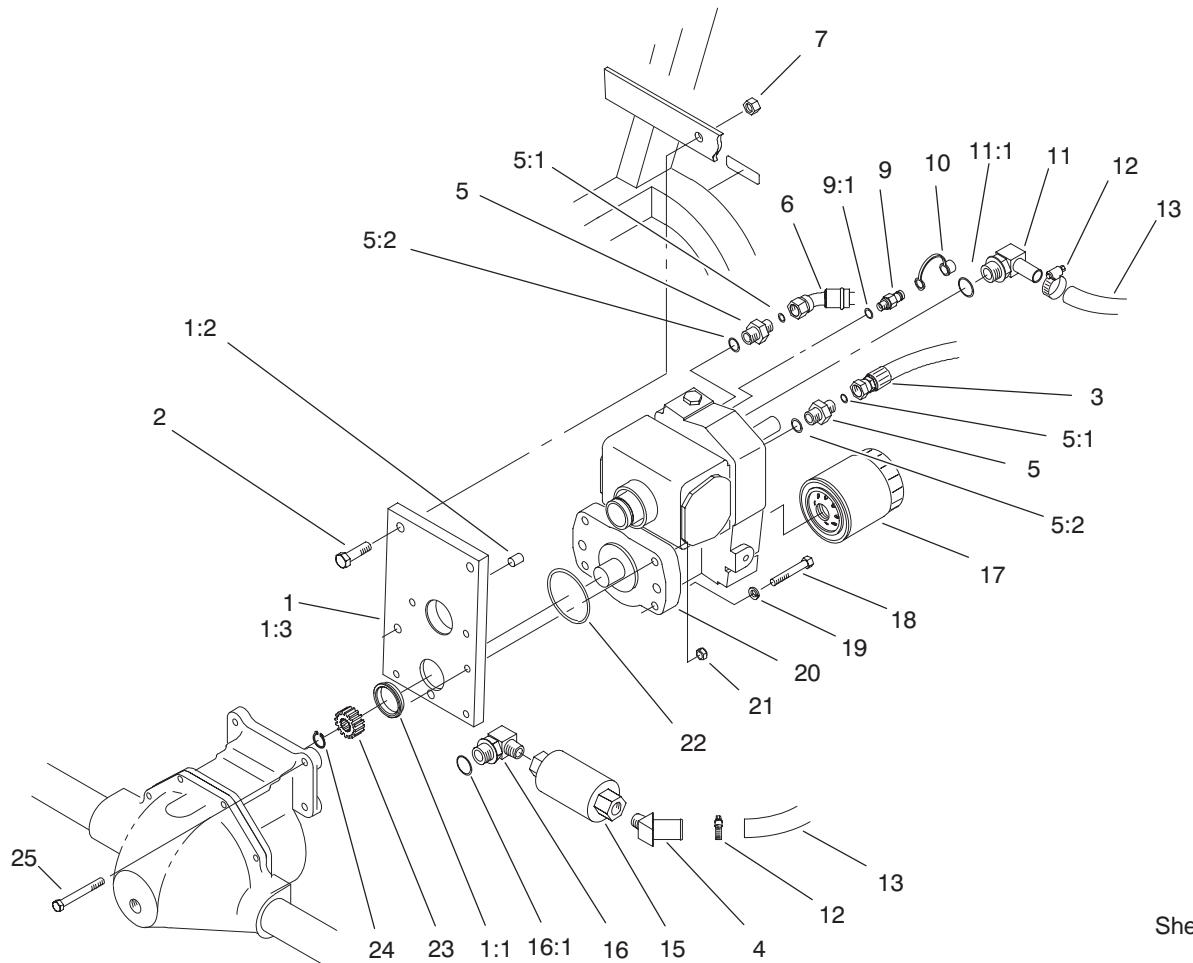
Sheet No.:10

## Front Axle Assembly

Ref. No.	Part No.	Qty.	Description
1	242-50	10	Nut-Lug
2	42-6080	5	Shim-Axle
3	66-6480	4	Washer
4	3256-22	2	Washer-Flat
5	3296-48	4	Nut-Lock, NI
6	106-9212-03	1	Drive Axle ASM
7	3272-10	2	Pin-Cotter
8	75-6850	1	Tube-Fill, Oil
9	27-3710	1	Dipstick
10	85-4330	1	Cover-Gear
11	237-181	1	O-Ring
12	3218-1	1	Nut-Jam
13	85-4350	1	Sensor-Geartooth
☆14		2	Wheel And Tire ASM
14:1	99-6984	1	Wheel ASM
14:2	98-2373	1	Tire
14:3	232-27	1	Stem-V alve
15	32108-9	1	Screw-FH
16	106-9206	2	Decal-Torque, Wheel
17	3296-56	2	Nut-Lock, NI
18	321-2	1	Screw-HH
19	3253-3	1	Washer-Lock
20	85-4340	1	Plate-Mounting, Sensor
21	32144-1 12	8	Screw-HWHTF
22	92-5797	1	Gasket-Axle

Ref. No.	Part No.	Qty.	Description
24	324-7	4	Screw-HH
25	283-58	2	Pin-Clevis

☆ Not serviced separately



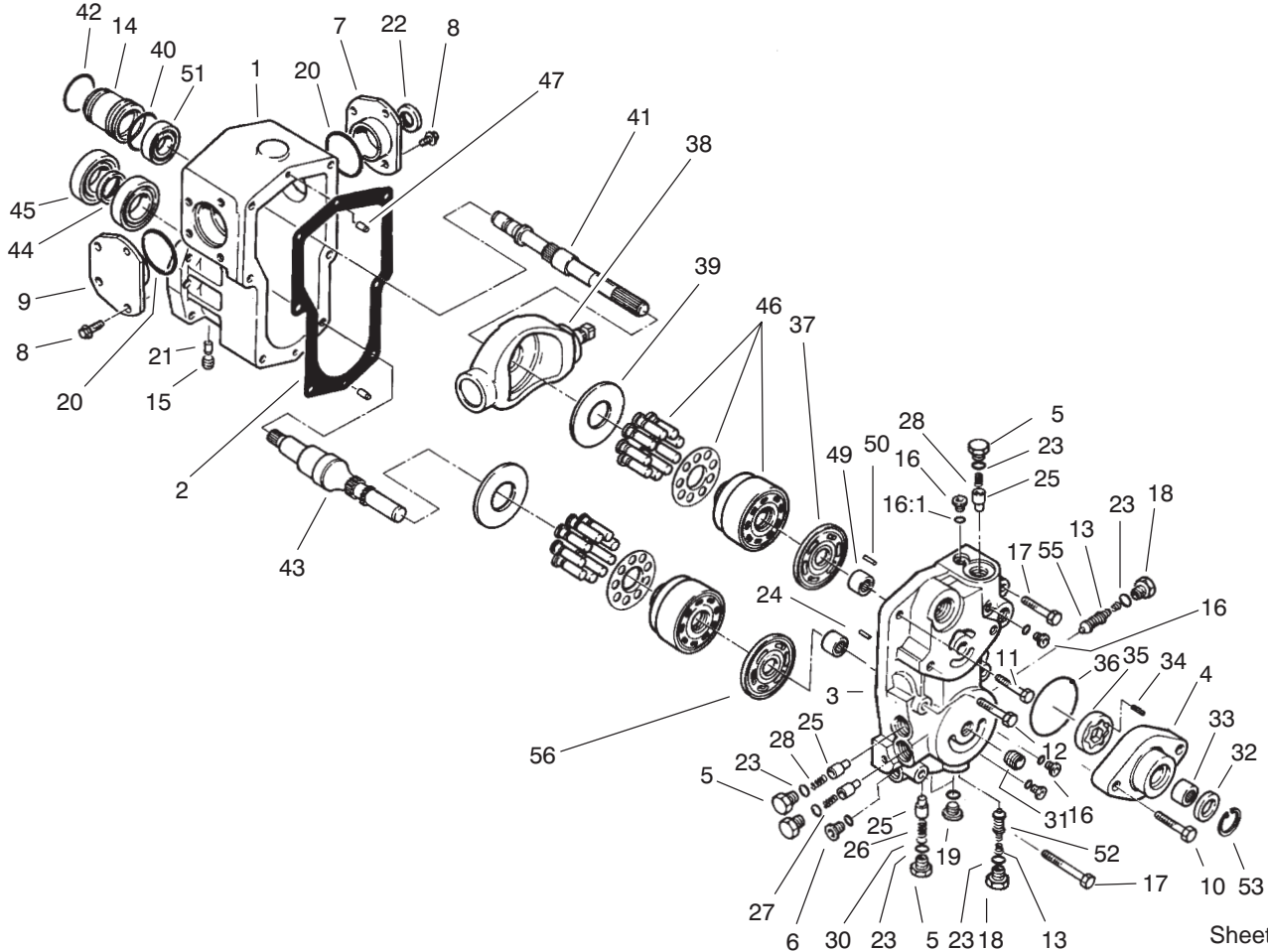
Sheet No.:11

## Transmission Assembly

Ref. No.	Part No.	Qty.	Description
1	92-4846	1	Transmission Support ASM
1:1	75-31 10	1	Collar-T ransmission
1:2	92-4808	1	Sleeve-T ransmission
1:3	92-4809	1	Support-T ransmission
2	325-7	2	Screw-HH
3	93-0075	1	Hose ASM
4	354-72	1	Fitting-HYD
5	340-3	2	Adapter
5:1	237-22	1	O-Ring
5:2	237-79	1	O-Ring
6	93-0076	1	Hose ASM
7	3296-23	2	Nut-Lock, NI
9	354-77	1	Fitting-Quick
9:1	237-78	1	O-Ring
10	354-79	1	Cap-Dust
11	75-4720	1	Fitting-Line, Suction
11:1	237-81	1	O-Ring
12	2412-129	2	Clamp-Hose
13	75-6350	1	Hose
15	75-6340-03	1	Filter
16	354-75	1	Fitting-HYD, 90°
16:1	237-81	1	O-Ring
17	75-1330	1	Element-Filter
18	323-12	2	Screw-HH
19	3253-21	2	Washer-Lock

Ref. No.	Part No.	Qty.	Description
20	75-0012	1	Transmission
21	3296-39	2	Nut-Lock, NI
22	237-161	1	O-Ring
23	86-7220	1	Gear-Pinion
24	32151-62	1	Ring-Retaining
25	323-20	2	Screw-HH

3329-368



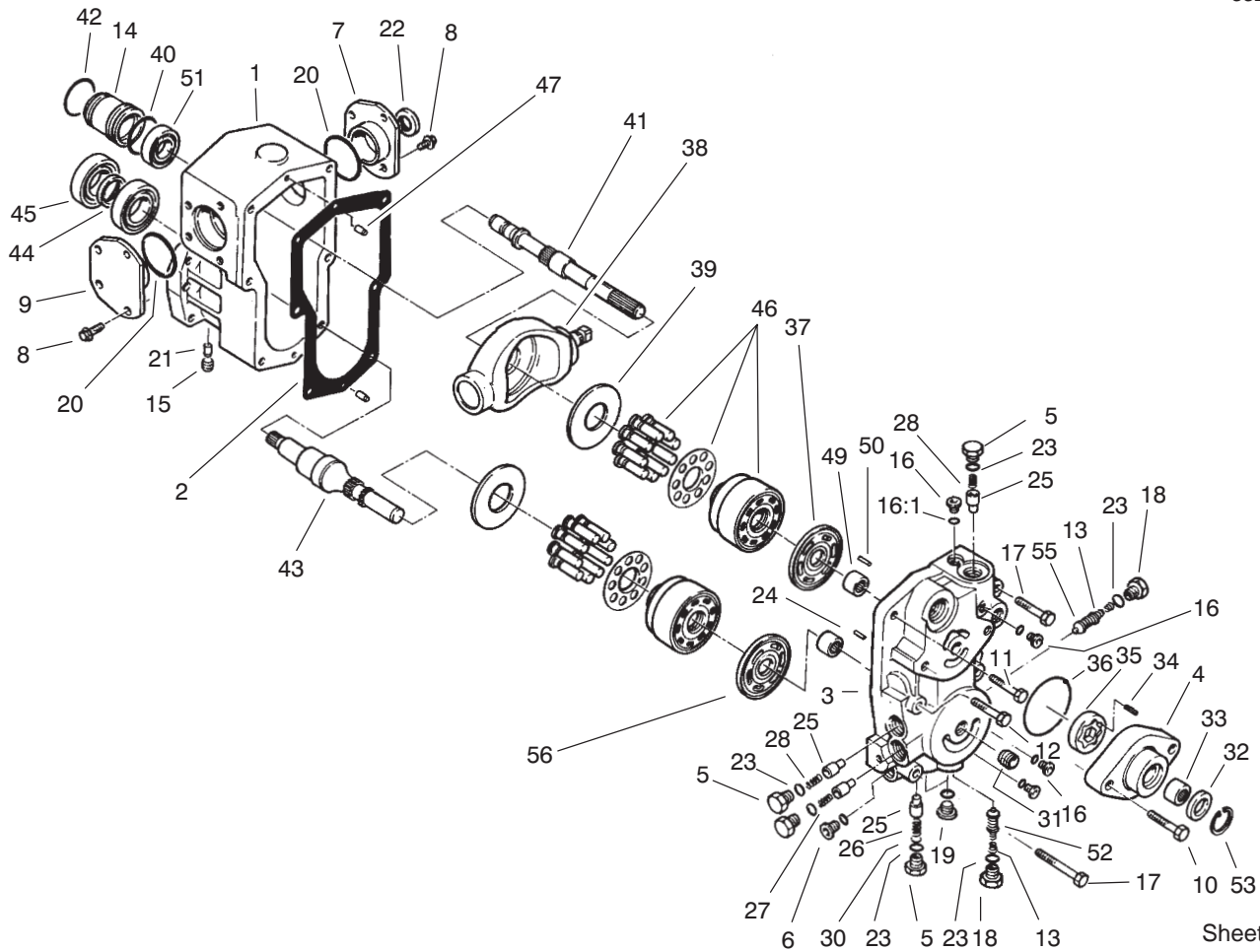
Sheet No.:A3

T-1006

## Transmission Assembly No. 75-0012

Ref. No.	Part No.	Qty.	Description
1	75-0020	1	Housing
2	75-0030	1	Gasket-Housing
3	75-0040	1	Section-Center
4	83-4780	1	Housing-Pump, Charge
5	75-0060	4	Plug
6	75-0070	1	Plug
7	86-7520	1	RH Trunnion Cover ASM
8	75-0090	8	Capscrew-HH
9	86-7530	1	LH Trunnion Cover ASM
10	75-0110	2	Capscrew-HH
11	75-0120	1	Capscrew-HH
12	75-0130	3	Capscrew-HH
13	75-0140	2	Spring-Conical
14	75-0150	1	Guide-Seal
15	75-0160	1	Plug-Pipe
16	75-0170	4	Plug-Thread, Straight
16:1	92-8777	1	O-Ring
17	75-0180	2	Capscrew-HH
18	75-0190	2	Plug-Special
19	75-0200	2	Plug-Thread, Straight
20	75-0210	2	O-Ring
21	75-0220	2	Pin
22	75-0230	1	Seal-Lip

Ref. No.	Part No.	Qty.	Description
23	75-0240	6	O-Ring
24	75-0250	1	Spring
25	75-0260	4	Valve-Relief
26	75-0270	1	Spring
27	75-0280	1	Spring
28	75-0290	2	Spring
30	75-0310	1	Shim
31	75-0320	1	Nipple
32	75-0330	1	Seal-Lip
33	75-0340	1	Bearing-Needle
34	75-0350	1	Pin
35	75-0360	1	Gerotor
36	75-0370	1	O-Ring
37	75-0380	1	Plate-V valve
38	75-0390	1	Plate-Swash
39	75-0400	2	Plate-Thrust
40	75-0410	1	O-Ring
41	86-7540	1	Shaft-Pump
42	75-0430	1	Ring-Retaining
43	75-0440	1	Shaft-Motor
44	75-0450	1	Collar
45	75-0460	2	Bearing-Ball
46	75-0470	2	Cylinder Block Kit
47	75-0480	2	Pin
49	75-0500	2	Bearing-Needle
50	75-0510	1	Pin

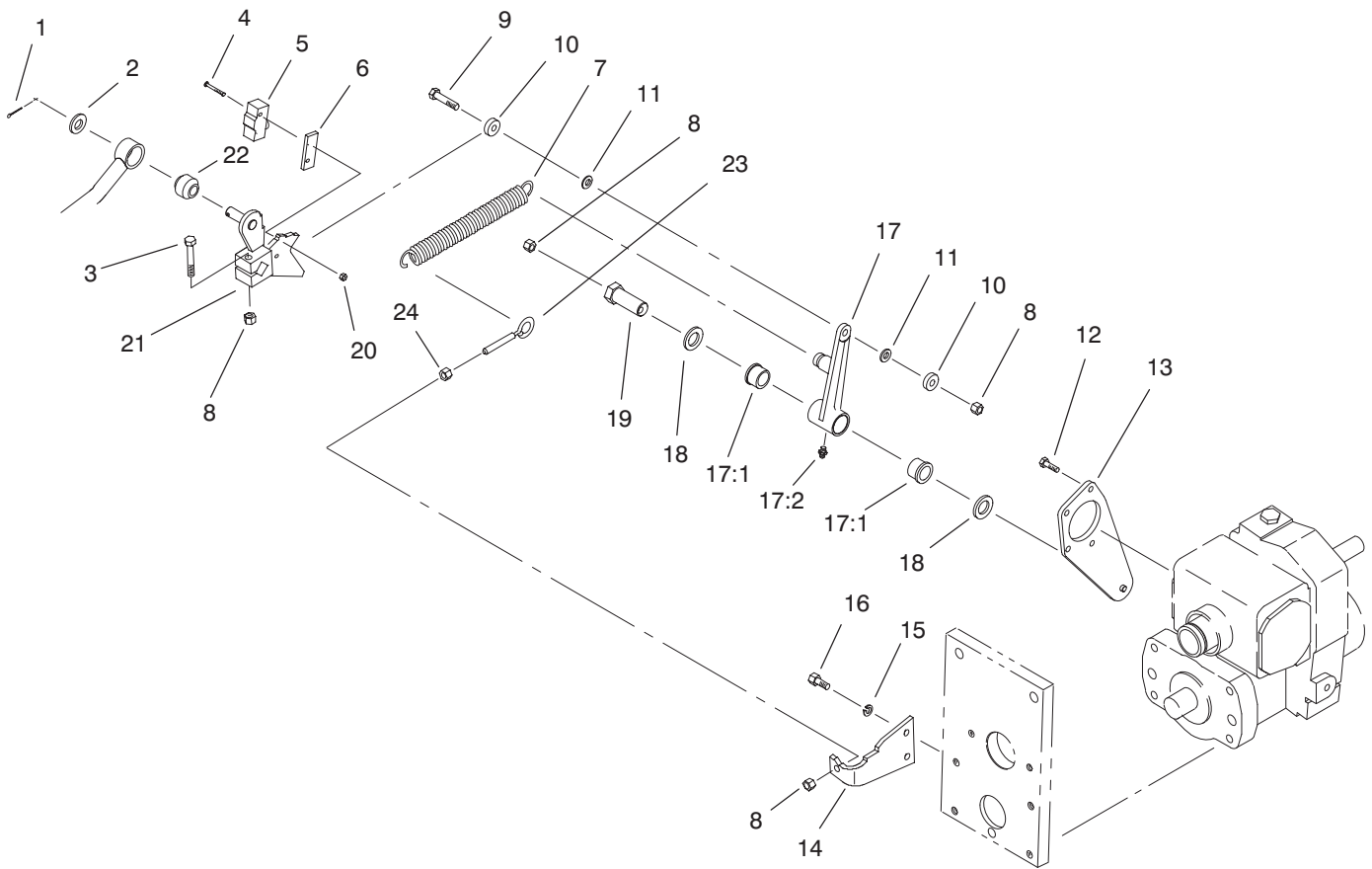


Sheet No.:A3  
T-1006

### Transmission Assembly No. 75-0012 (Continued)

Ref. No.	Part No.	Qty.	Description
51	75-0520	1	Bearing-Ball
52	75-6930	1	Valve-Screw
53	32120-74	1	Snap-Ring
55	93-0097	1	Valve-Screw
56	93-0083	1	Plate-V valve

Ref. No.	Part No.	Qty.	Description



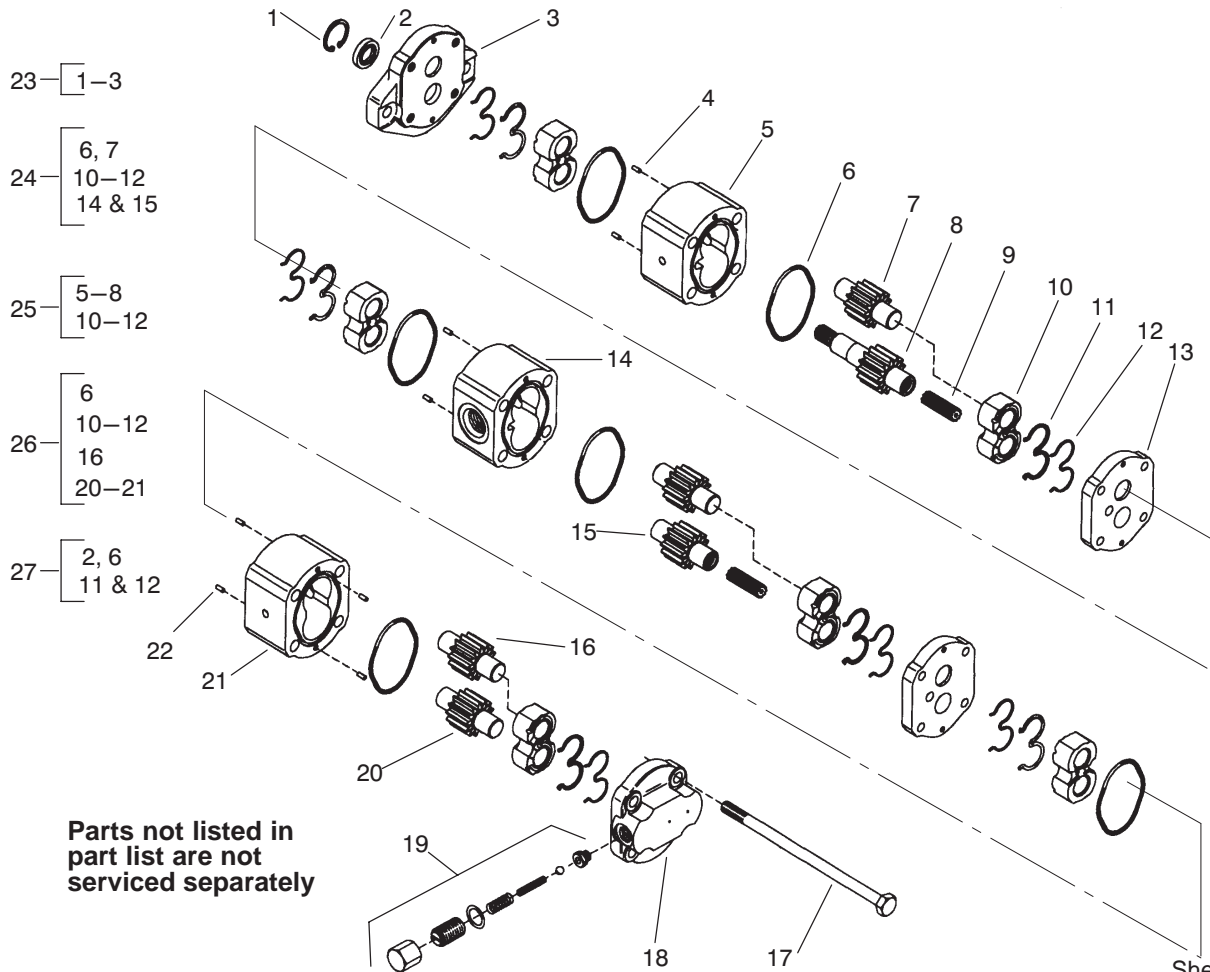
Sheet No.:12

## Traction Control Assembly

Ref. No.	Part No.	Qty.	Description
1	3272-10	1	Pin-Cotter
2	3256-26	1	Washer-Flat
3	322-10	1	Screw-HH
4	32105-21	2	Screw-HH
5	29-6162	1	Switch-Micro
6	75-4130	1	Plate-Switch
7	76-9430-03	1	Spring-Extention
8	3296-29	4	Nut-Lock, NI
9	322-7	1	Screw-HH
10	251-307	2	Bearing-Ball
11	75-5470	2	Spacer-Bearing
12	321-5	4	Screw-HH
13	104-1480-03	1	Traction Plate ASM
14	85-9900-03	1	Plate-Anchor , Spring
15	3253-4	2	Washer-Lock
16	322-3	2	Screw-HH
17	92-2581	1	Neutral Switch Arm ASM
17:1	256-1 13	2	Bushing-Flange
17:2	302-5	1	Fitting-Grease
18	3-6498	2	Washer-Thrust
19	76-8640	1	Stud-T raction
20	3296-9	2	Nut-Lock, NI
21	75-4100-03	1	Control-Pump
22	23-2270	1	Bushing-Rubber

Ref. No.	Part No.	Qty.	Description
23	85-9910	1	Eyebolt
24	3217-6	1	Nut-Hex





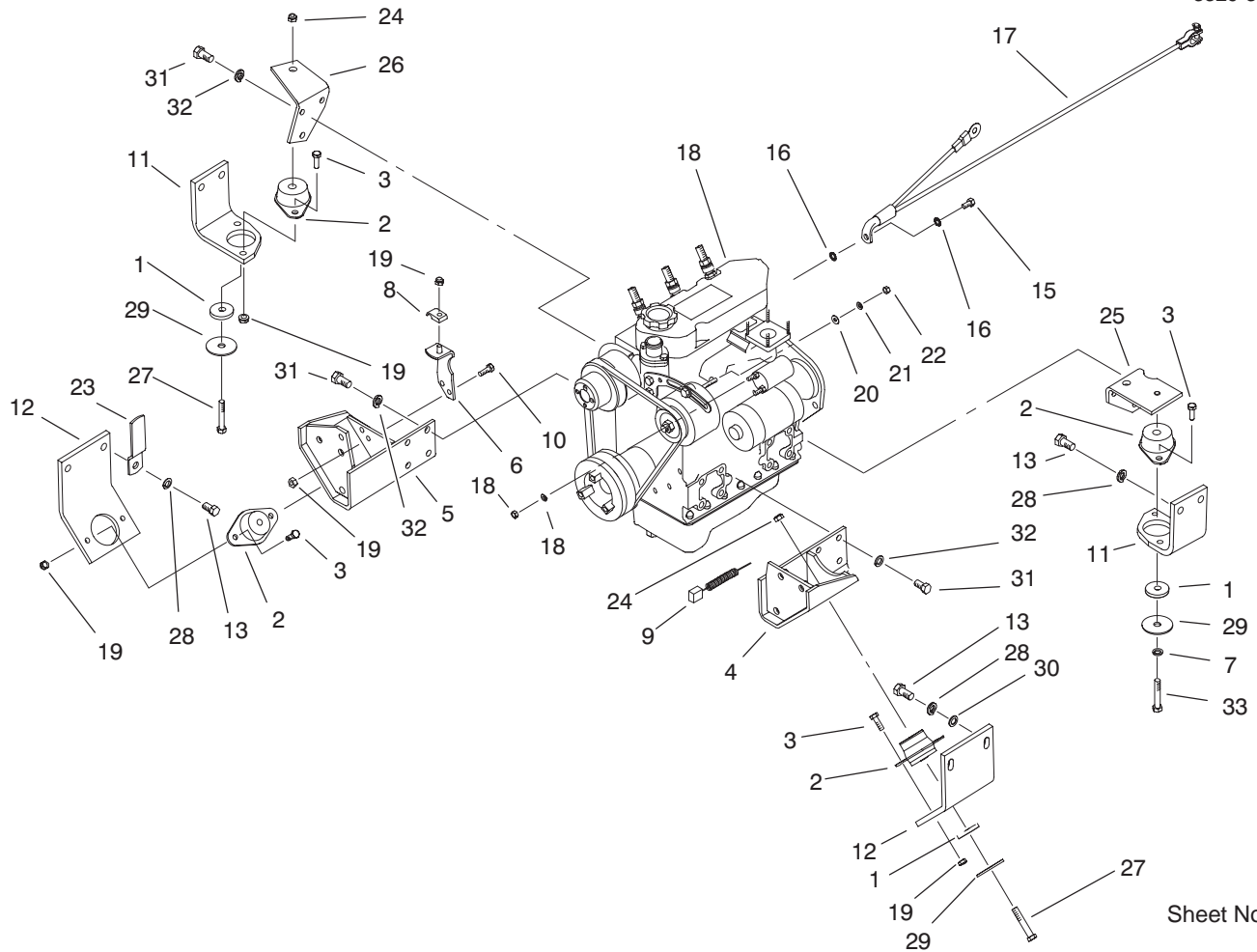
T-3514  
Sheet No.:A4

## Gear Pump Assembly No. 98-9796

Ref. No.	Part No.	Qty.	Description
☆1		1	Ring-Retaining
☆2		1	Seal-Shaft
☆3		1	Flange
4	93-4278	4	Pin-Dowel
☆5		1	Housing
☆6		2	O-Ring
☆7		1	Gear-Idler
☆8		1	Gear-Drive
9	93-4280	2	Coupling
☆10		2	Bearing
☆11		2	E-Seal
☆12		2	Ring-Backup
13	93-4279	2	Plate-Distance
☆14		1	Housing
☆15		1	Gear-Idler
☆16		1	Gear-Idler
17	93-4283	4	Bolt
18	93-4282	1	Block-V alve
19	93-4277	1	Valve Kit
☆20		1	Gear-Idler
☆21		1	Housing
22	93-4281	4	Pin-Dowel
23	93-4268	1	Flange Kit
24	98-9798	1	Section 1 Housing Kit
25	98-9797	1	Section 2 Housing Kit

Ref. No.	Part No.	Qty.	Description
26	98-9799	1	Section 3 Housing Kit
27	99-8353	1	Individual Pieces Kit

☆ Not serviced separately

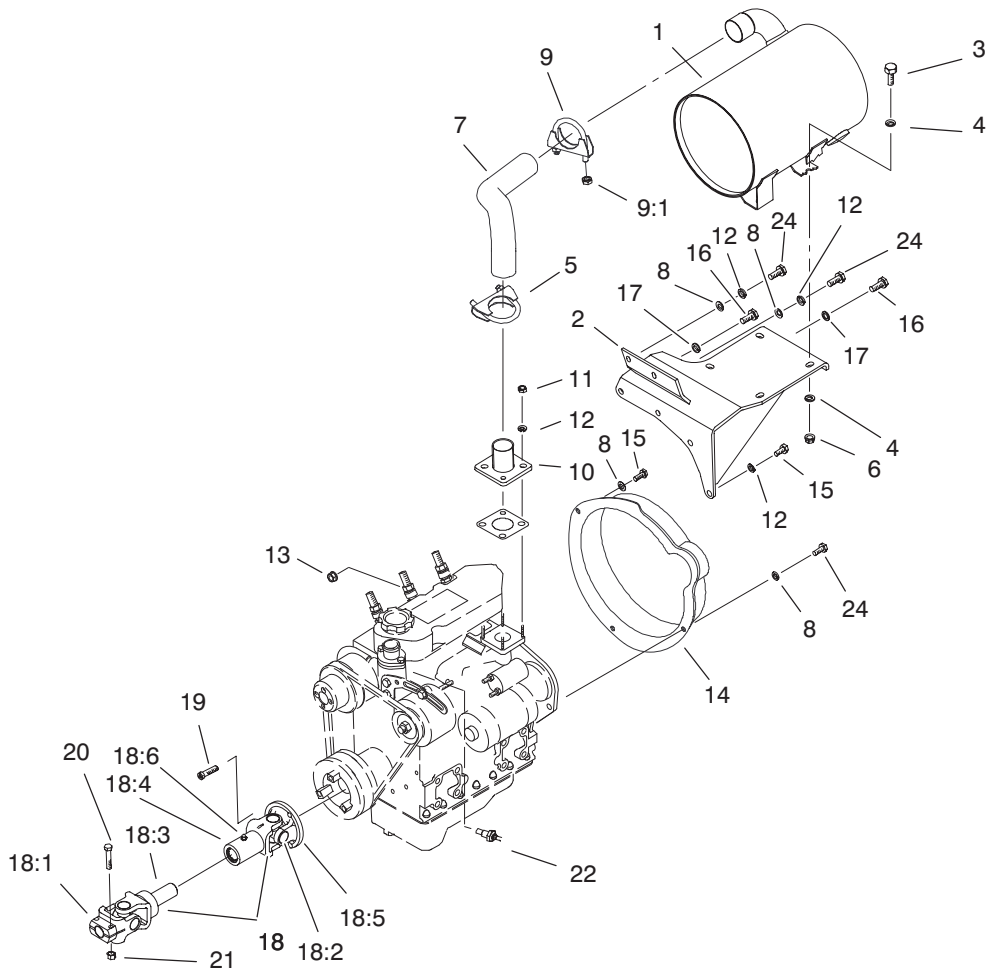


Sheet No.:14

## Engine Installation Assembly

Ref. No.	Part No.	Qty.	Description
1	83-1050	4	Spacer
2	83-1030	4	Mount-Engine
3	322-5	8	Screw-HH
4	98-4539-03	1	Bracket-Engine Mount, LH
5	98-4543-03	1	Bracket-Engine Mount, RH
6	98-9749	1	Plate-Throttle
7	3253-21	1	Washer-Lock
8	3-6657	1	Clip-Skid
9	99-3441	1	Harness-Wire, Fusible Link
10	322-4	2	Screw-HH
11	98-4513-03	2	Bracket-Engine, Rear
12	93-0095-03	2	Bracket-Engine, Front
13	3213-2	8	Screw-HH
15	98-9322	1	Bolt-HH, Metric
16	3255-9	2	Washer-Lock, Ext
17	98-4598	1	Cable-Battery, Negative
18	106-7058	1	Engine-Kubota
19	3296-29	11	Nut-Lock, NI
20	3256-78	1	Washer-Flat
21	43-5930	1	Washer-Spring
22	48-7890	1	Nut
23	98-4594	1	Clamp-Retainer

Ref. No.	Part No.	Qty.	Description
24	32128-36	3	Nut-HF
25	98-4515-03	1	Bracket-Rear Engine, LH
26	98-4514-03	1	Bracket-Rear Engine, RH
27	323-12	3	Screw-HH
28	3253-7	8	Washer-Lock
29	87-5100	4	Washer-Snubbing
30	3256-40	4	Washer-Flat
31	43-0090	14	Screw-HH
32	42-9600	14	Lockwasher-Spring
33	323-10	1	Screw-HH

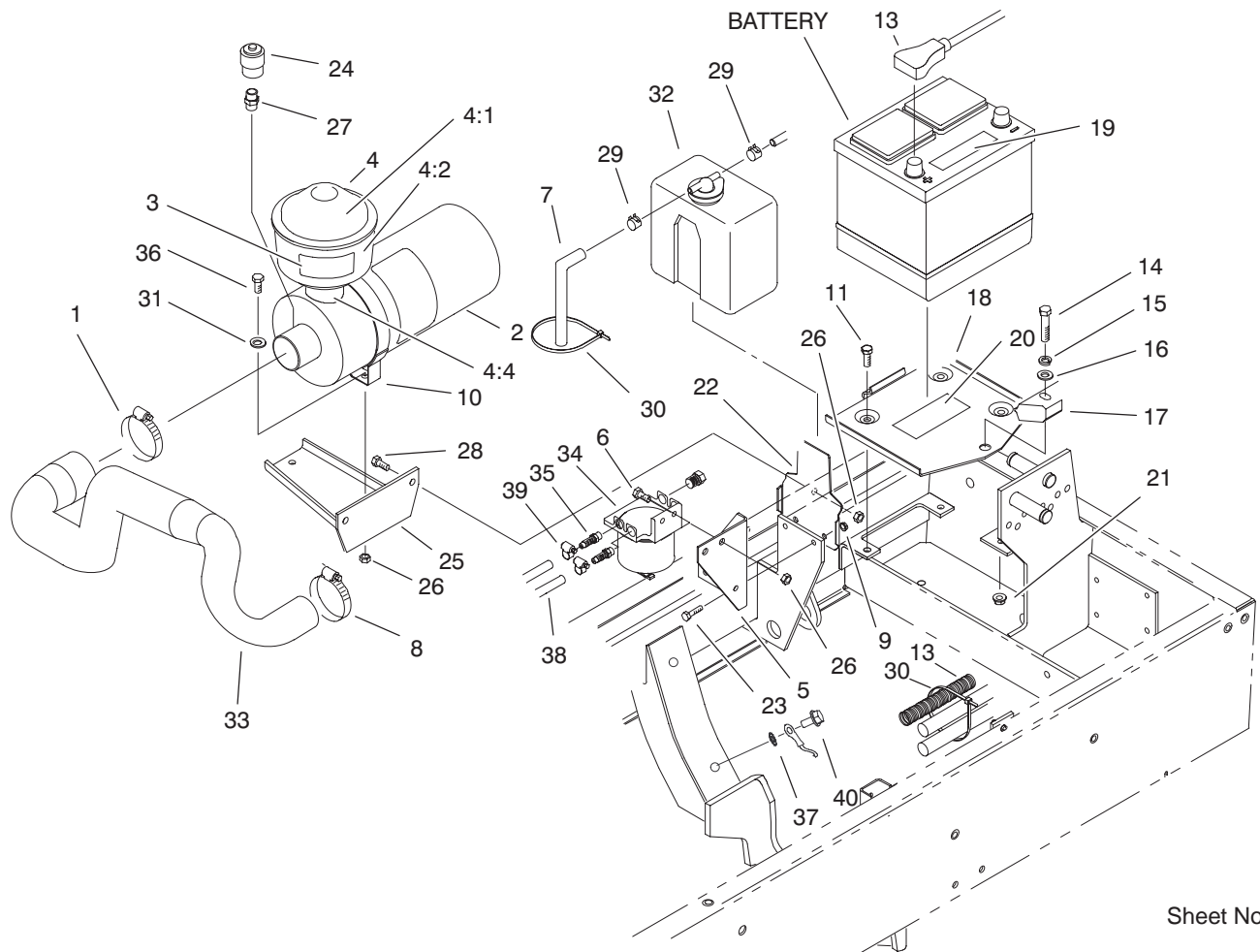


Sheet No.:15

## Muffler and Pump Drive Assembly

Ref. No.	Part No.	Qty.	Description
1	98-9794	1	Muffler-Exhaust
2	98-4555-03	1	Bracket-Muffler
3	323-7	4	Screw-HH
4	3256-4	8	Washer-Flat
5	2112-9	1	Clamp
5:1	32128-20	2	Nut-HF
6	3296-39	4	Nut-Lock, NI
7	98-4524	1	Tube-Exhaust
8	3256-23	5	Washer-Flat
9	2112-6	1	Clamp-Muffler
9:1	3218-2	2	Nut-Jam
10	98-4527	1	Pipe-Exhaust, Engine
11	33014-00	4	Nut-Hex
12	42-9850	7	Washer-Lock, Spring
13	33024-00	1	Nut-Lock
14	105-7505	1	Guard-Flywheel
15	33114-025	3	Screw-HH (only on: 03544)
15	33114-025	2	Screw-HH (only on: 03543)
16	43-0090	2	Screw-HH
17	42-9600	2	Lockwasher-Spring
18	98-4593	1	Driveshaft ASM
18:1	54-9040	1	Yoke-End
18:2	98-9766	2	Universal Joint Kit
18:3	98-9765	1	Yoke And Shaft

Ref. No.	Part No.	Qty.	Description
18:4	98-9767	1	Tube-Yoke
18:5	98-9769	1	Flange-Yoke
18:6	302-5	3	Fitting-Grease
19	98-9322	3	Bolt-HH, Metric
20	322-9	2	Screw-HH
21	3296-29	2	Nut-Lock, NI
22	98-9346	1	Sender-Temperature
24	33114-020	4	Screw-HH



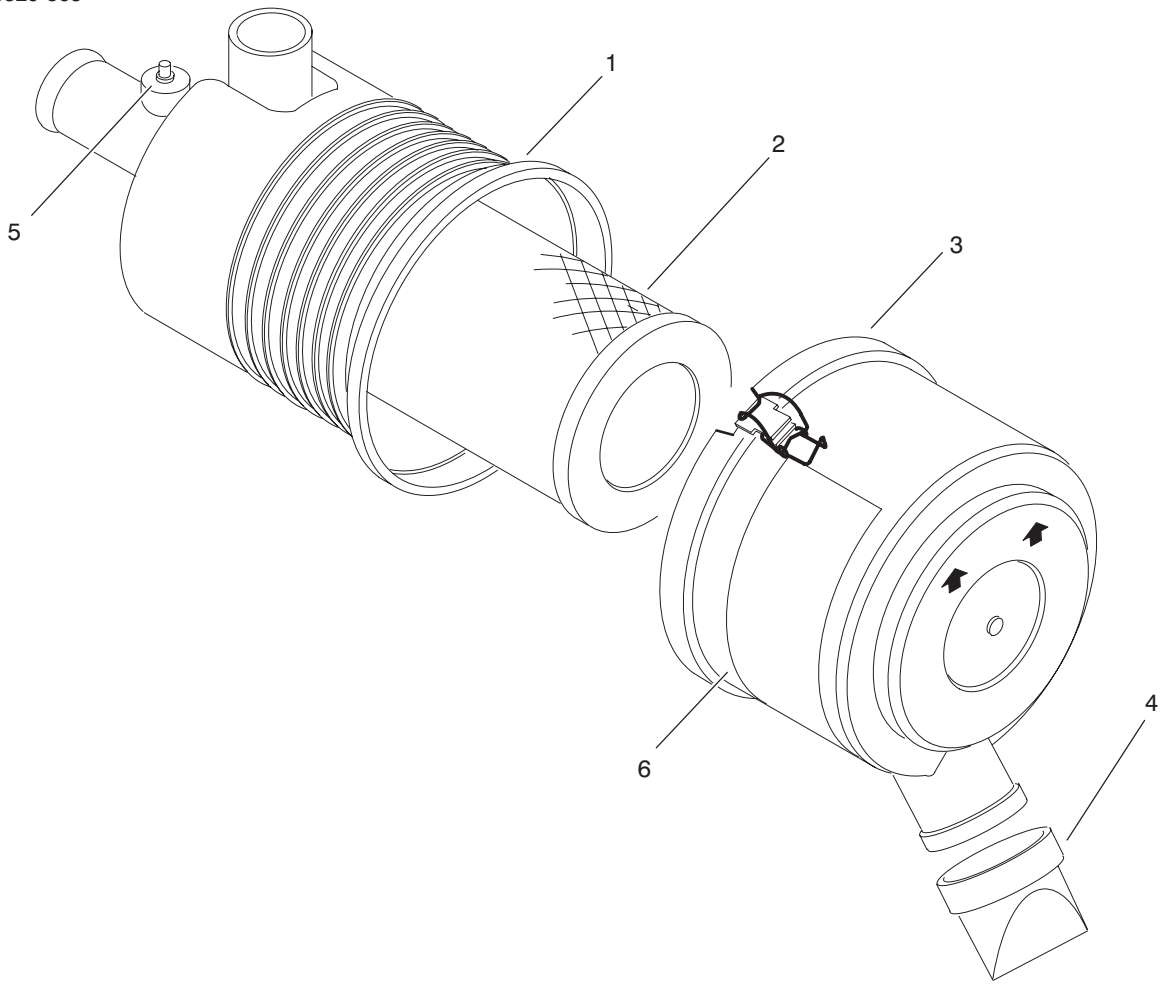
Sheet No.:16

## Engine Components Assembly

Ref. No.	Part No.	Qty.	Description
1	2412-42	1	Clamp-Hose
2	98-4517	1	Air Cleaner ASM
3	93-6692	1	Decal-Fluid, Starting
4	48-7430	1	Precleaner
4:1	33-1260	1	Cover ASM
4:2	33-1270	1	Bowl-Clear
*4:3	62-6300	1	Sleeve ASM
4:4	94-6873	1	Clamp
5	98-4578-03	1	Bracket-Filter , Fuel
6	3234-29	2	Screw-HHF
7	63-7630	1	Hose-Fuel
8	2412-92	1	Clamp-Hose
9	32128-33	2	Nut-HF
10	98-4525	1	Bracket-Cleaner , Air
11	322-4	3	Screw-HH
13	104-0086	1	Cable-Battery , Positive
14	323-9	1	Screw-HH
15	3253-21	1	Washer-Lock
16	3256-24	1	Washer-Flat
17	66-2490	1	Retainer-Battery
18	94-7343	1	Battery Base ASM
19	93-6668	1	Decal-Battery
20	93-7276	1	Decal-Danger
21	32128-20	1	Nut-HF

Ref. No.	Part No.	Qty.	Description
22	98-4576-03	1	Bracket-Reservoir , Water
23	321-5	2	Screw-HH
24	93-9164	1	Indicator-Mini
25	98-4518-03	1	Bracket-Cleaner , Air
26	3296-29	6	Nut-Lock, NI
27	94-1416	1	Indicator Adapter ASM
28	322-5	2	Screw-HH
29	92-2379	2	Clamp-Hose
30	3290-378	2	Tie-Cable
31	3256-23	2	Washer-Flat
32	104-9318	1	Bottle-Overflow
33	98-4509	1	Hose-Cleaner , Air
34	98-9305	1	Filter-W ater/Fuel
35	353-783	2	Fitting
36	322-6	2	Screw-HH
37	3255-8	1	Washer-Lock
38	95-4275	1	Hose-Fuel
39	2412-108	4	Clamp-W orm
40	32144-14	1	Screw-HWH
*99	3290-379	1	Tie-Cable

\* Not illustrated



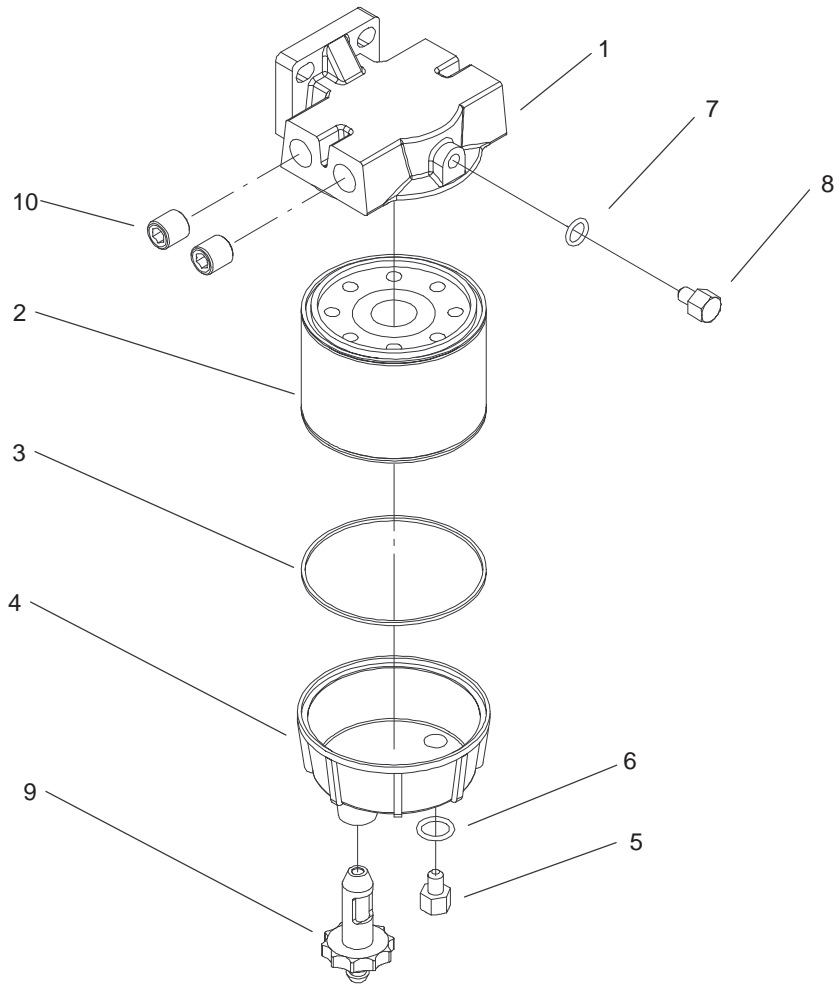
Sheet No.:A9  
T-2903

### Air Cleaner Assembly No. 98-4517

Ref. No.	Part No.	Qty.	Description
☆1		1	Body ASM
2	98-9763	1	Element ASM
3	98-9771	1	Cover ASM
4	94-1414	1	Valve-V acuator
☆5		1	Plug
6	98-9788	1	Decal-Instruction

Ref. No.	Part No.	Qty.	Description

☆ Not serviced separately

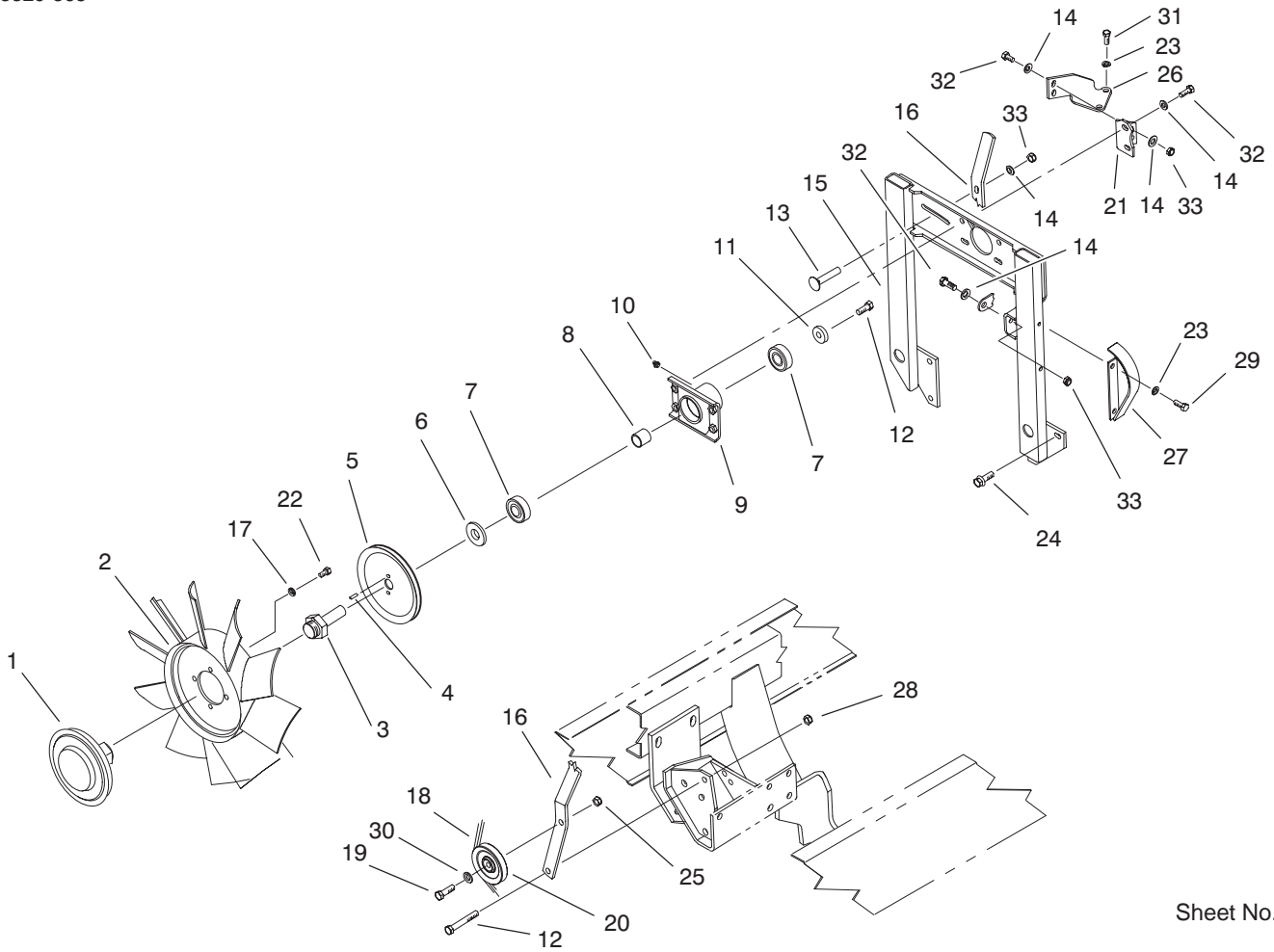


Sheet No.:B1  
T-3330

## Water/Fuel Separator Assembly No. 98-9305

Ref. No.	Part No.	Qty.	Description
1	98-9772	1	Head-Filter
2	98-9764	1	Element
3	98-9774	1	O-Ring-Base, Filter
4	98-9775	1	Base-Filter
5	98-9773	1	Plug-Base, Filter
6	237-42	1	O-Ring
7	237-78	1	O-Ring
8	98-9776	1	Plug-Head, Filter
9	98-9777	1	Drain Valve ASM
10	285-22	2	Plug-Pipe

Ref. No.	Part No.	Qty.	Description

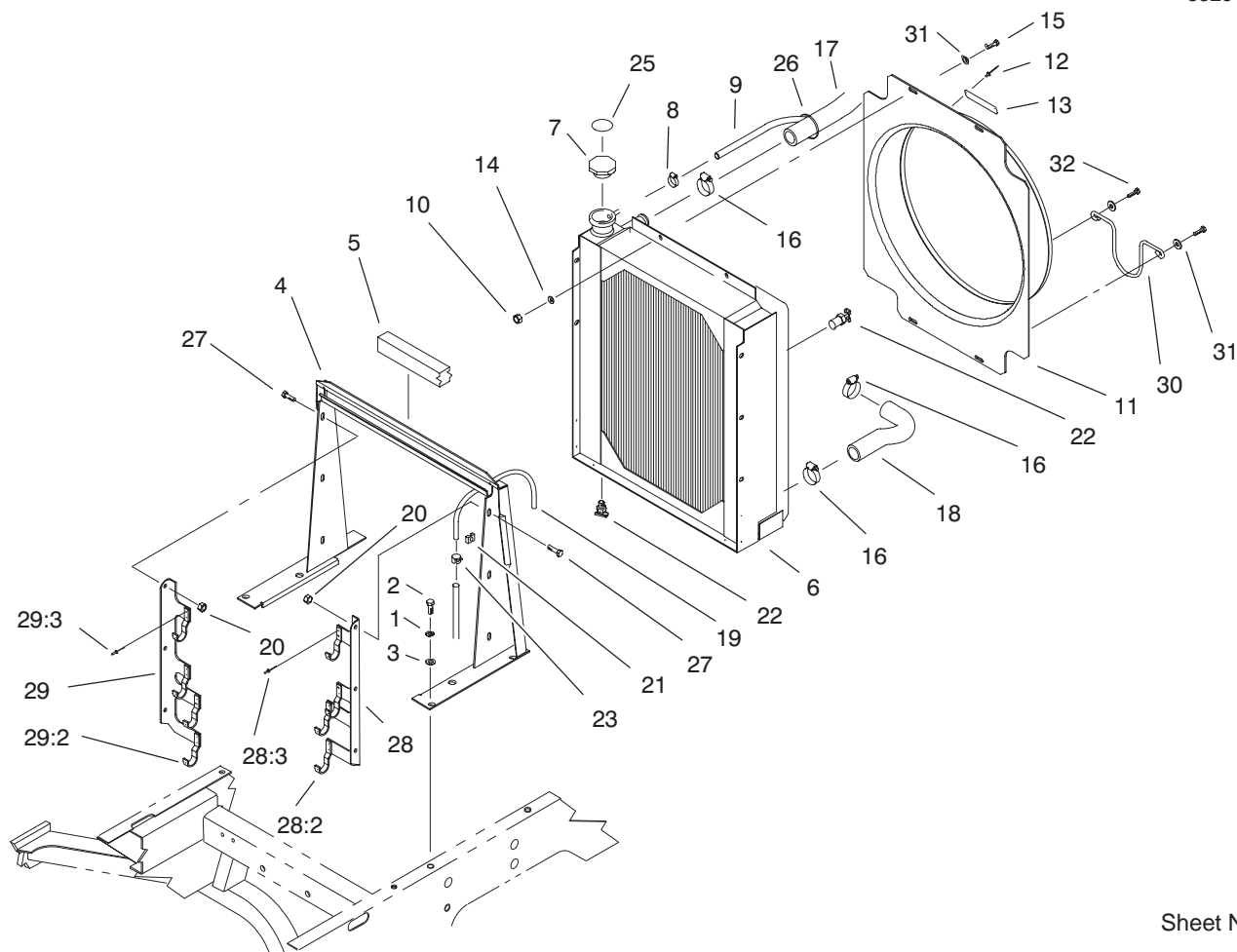


Sheet No.:17

## Fan Drive Assembly

Ref. No.	Part No.	Qty.	Description
1	74-5520	1	Clutch-Fan
2	75-3780	1	Fan-Engine
3	75-6380	1	Shaft-Fan
4	104-9312	2	Pin-Grooved
5	98-9743	1	Pulley-Drive, Fan
6	104-9259	1	Washer-Thrust
7	251-318	2	Bearing
8	104-0001	1	Spacer
9	75-4450-03	1	Hub
10	302-2	1	Fitting-Grease
11	67-1630	1	Spacer
12	323-6	2	Screw-HH
13	3230-2	1	Bolt-CARR
14	3256-23	9	Washer-Flat
15	98-4530-03	1	Support-Fan
16	98-4575-03	1	Lever-Idler, Fan
17	3253-4	4	Washer-Lock
18	98-9744	1	Belt-Fan
19	323-8	1	Screw-HH
20	63-8140	1	Pulley-Idler
21	98-9740	1	Bracket-Fan, Support
22	322-2	4	Screw-HH
23	42-9850	4	Washer-Lock, Spring
24	3234-29	6	Screw-HHF
25	3296-59	1	Nut-Lock, NI
26	98-9741	1	Bracket-Mount, Fan

Ref. No.	Part No.	Qty.	Description
27	98-4561-03	1	Shield-Alternator
28	3296-39	1	Nut-Lock, NI
29	32144-14	2	Screw-HWH
30	3256-24	1	Washer-Flat
31	33114-016	2	Screw-HH
32	322-4	7	Screw-HH
33	3296-29	4	Nut-Lock, NI

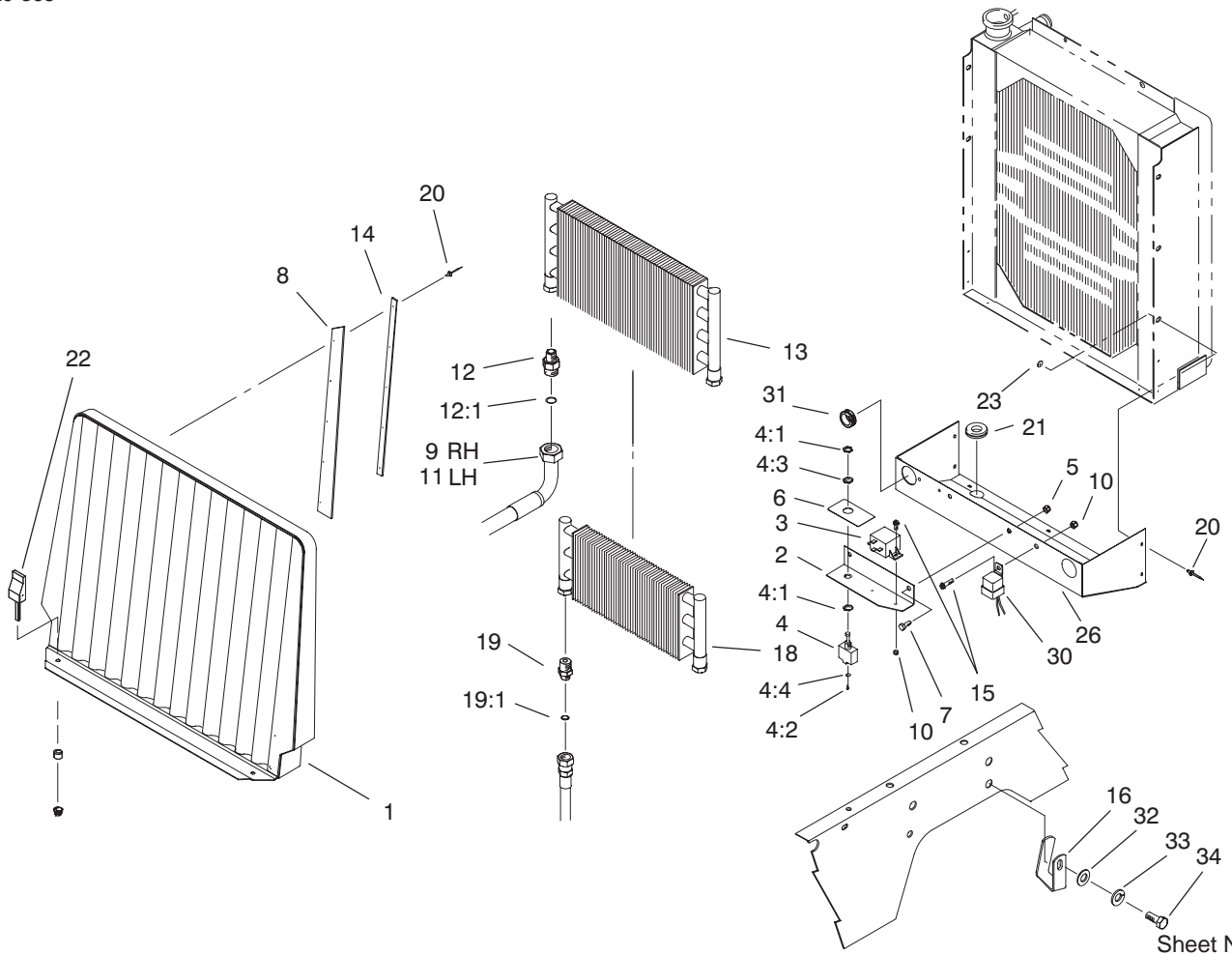


Sheet No.:18

## Radiator Assembly

Ref. No.	Part No.	Qty.	Description
1	3253-4	4	Washer-Lock
2	322-5	4	Screw-HH
3	3256-23	4	Washer-Flat
4	98-9317-03	1	Support-Radiator
5	93-0005	1	Strip-Foam, Radiator Top
6	98-4507	1	Radiator
7	66-3240	1	Cap-Radiator
8	92-2379	1	Clamp-Hose
9	75-2851	1	Hose-Fuel
10	3296-42	4	Nut-Lock, NI
11	98-4571	1	Shroud-Fan
12	3290-55	2	Rivet-Pop
13	98-9335	1	Plate-W arning, Fan
14	3256-22	4	Washer-Flat
15	321-4	2	Screw-HH
16	2412-34	4	Clamp-Hose
17	98-451 1	1	Hose-Radiator , Upper
18	98-4508	1	Hose-Radiator , Lower
19	66-3180	1	Tube-V ent
20	32128-20	6	Nut-HF
21	2412-103	1	Clamp
22	304-46	1	Draincock
23	2412-98	1	Clamp
25	106-5976	1	Decal-Cap, Radiator
26	3290-379	1	Tie-Cable

Ref. No.	Part No.	Qty.	Description
27	3234-5	6	Screw
28	99-6991	1	LH Cooler Mount ASM
28:2	75-0930	4	Hook-Mount, Cooler
28:3	3269-15	8	Rivet
29	99-6994	1	RH Cooler Mount ASM
29:2	75-0930	4	Hook-Mount, Cooler
29:3	3269-15	8	Rivet
30	104-1448	1	Hoop-Driveline
31	3256-55	4	Washer-Flat
32	321-6	2	Screw-HH

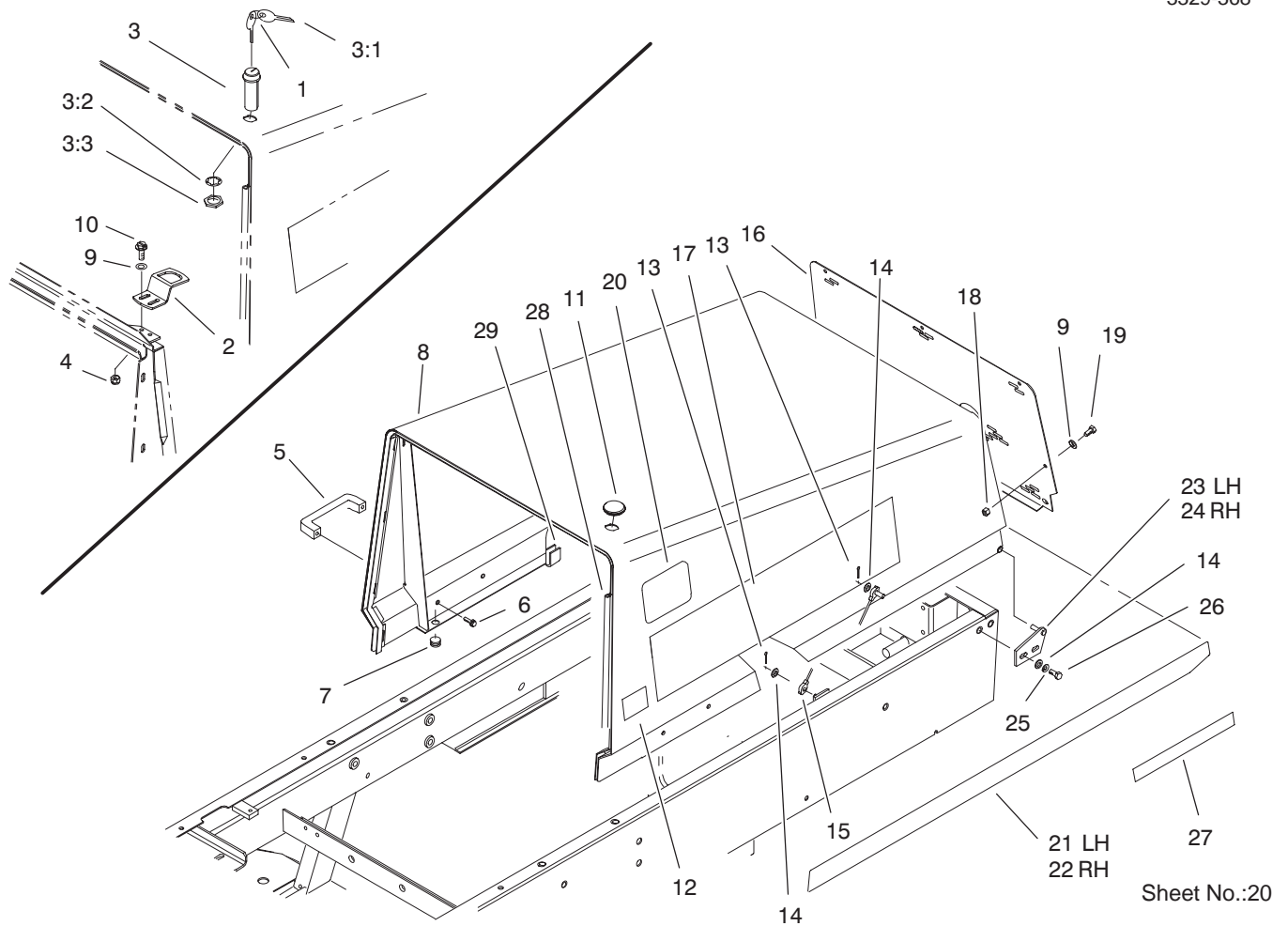


Sheet No.:19

### Oil Cooler/Radiator Assembly

Ref. No.	Part No.	Qty.	Description
1	93-0032-03	1	Housing-Screen, Front
2	75-3390-03	1	Bracket-Backlap
3	66-8800	1	Relay
4	99-8352	1	Switch-Backlap, Master
4:1	218-498	2	Locknut
4:2	218-588	3	Screw
4:3	218-589	1	Nut/Lockwasher
4:4	3253-19	3	Washer-Lock
5	3296-29	2	Nut-Lock, NI
6	93-6684	1	Decal-Backlap
7	322-2	2	Screw-HH
8	93-3623	2	Strip-Sealing, Radiator
9	93-0077	1	Hose ASM
10	3296-42	3	Nut-Lock, NI
11	93-0078	1	Hose ASM
12	92-4999	2	Fitting
12:1	237-65	1	O-Ring
13	75-1040	1	Cooler-Oil
14	93-3624-03	2	Plate-Retaining
15	321-4	3	Screw-HH
16	98-3928	2	Clamp-Hose
18	24-0760	1	Cooler ASM
19	340-124	2	Adapter

Ref. No.	Part No.	Qty.	Description
19:1	237-22	1	O-Ring
20	3269-13	15	Rivet-Pop
21	100-3815	2	Grommet-Rubber
22	93-1374	2	Latch-Swell
23	3269-10	5	Washer-Back
26	104-9257-03	1	Shield-Radiator
30	70-1480	1	Relay
31	240-3	2	Grommet-Rubber
32	3256-26	2	Washer-Flat (only on: 03543)
33	3253-7	2	Washer-Lock (only on: 03543)
34	325-5	2	Screw-HH (only on: 03543)



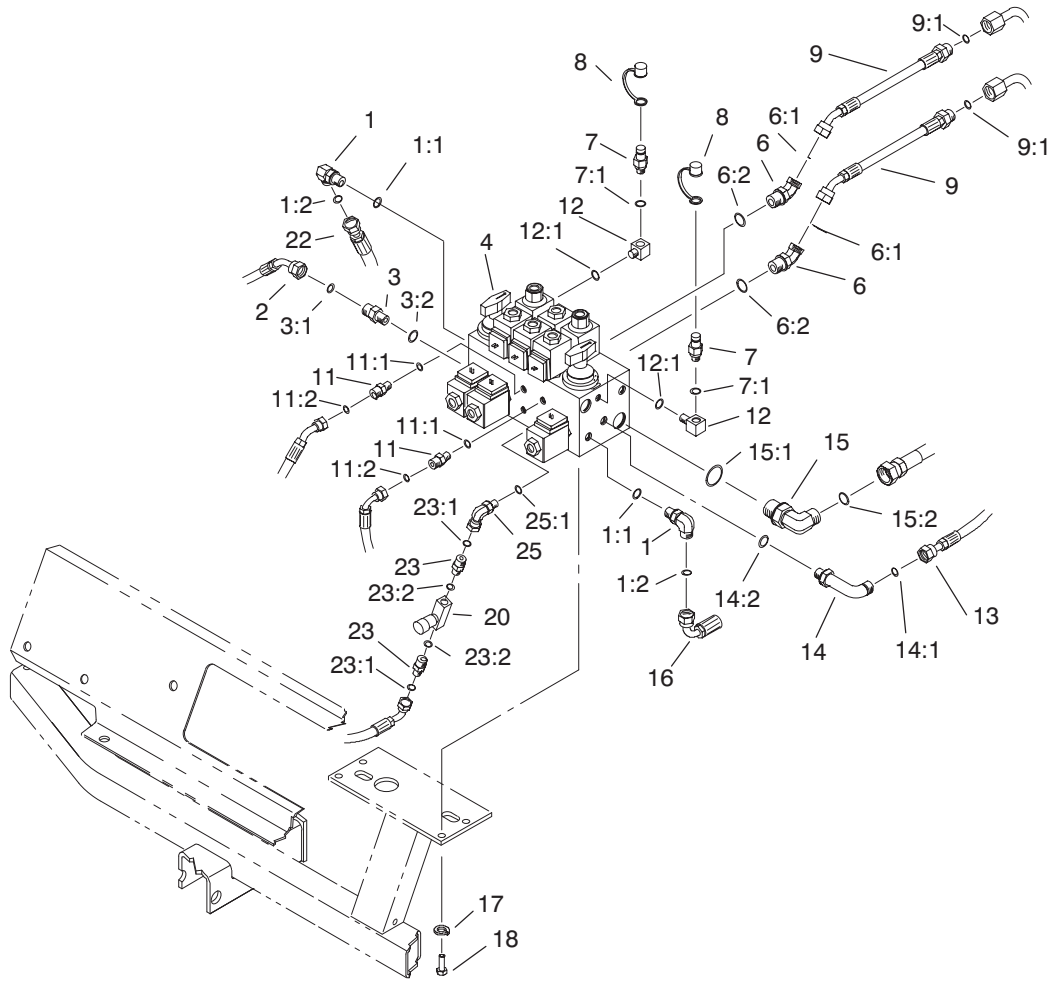
Sheet No.:20

## Hood Assembly

Ref. No.	Part No.	Qty.	Description
1	98-9321	1	Ring-Key
2	98-9316	1	Latch-Hood
3	98-9315	1	Latch-Locking
3:1	99-8350	2	Key-Latch, Locking
☆3:2		1	Washer-Switch
☆3:3		1	Nut-Switch
4	3296-16	2	Nut-Lock, NI
5	65-5100	2	Handle-Door
6	46-8091	4	Screw-HWH
7	237-141	2	Grommet-Rubber
8	98-9746	1	Hood ASM
9	3256-1	9	Washer-Flat
10	321-4	2	Screw-HH
11	98-9314	1	Grommet
12	93-7252	1	Decal-International
13	3272-4	2	Pin-Cotter
14	3256-23	6	Washer-Flat
15	75-0570	1	Cable-Hood
16	98-4573-03	1	Screen-Hood, Rear
17	106-7062	2	Decal
18	3296-42	7	Nut-Lock, NI
19	321-39	7	Screw-HH
20	66-6140	2	Decal
21	92-5751	1	Decal-Hood, LH
22	92-5752	1	Decal-Hood, RH

Ref. No.	Part No.	Qty.	Description
23	63-6900-01	1	LH Hood Hinge Plate ASM
24	63-6890-01	1	RH Hood Hinge Plate ASM
25	3253-4	4	Washer-Lock
26	322-5	4	Screw-HH
27	72-3560	1	Decal-4wd (only on: 03544)
28	93-0081	1	Strip-Seal
29	99-8975	1	Strip-Seal

☆ Not serviced separately



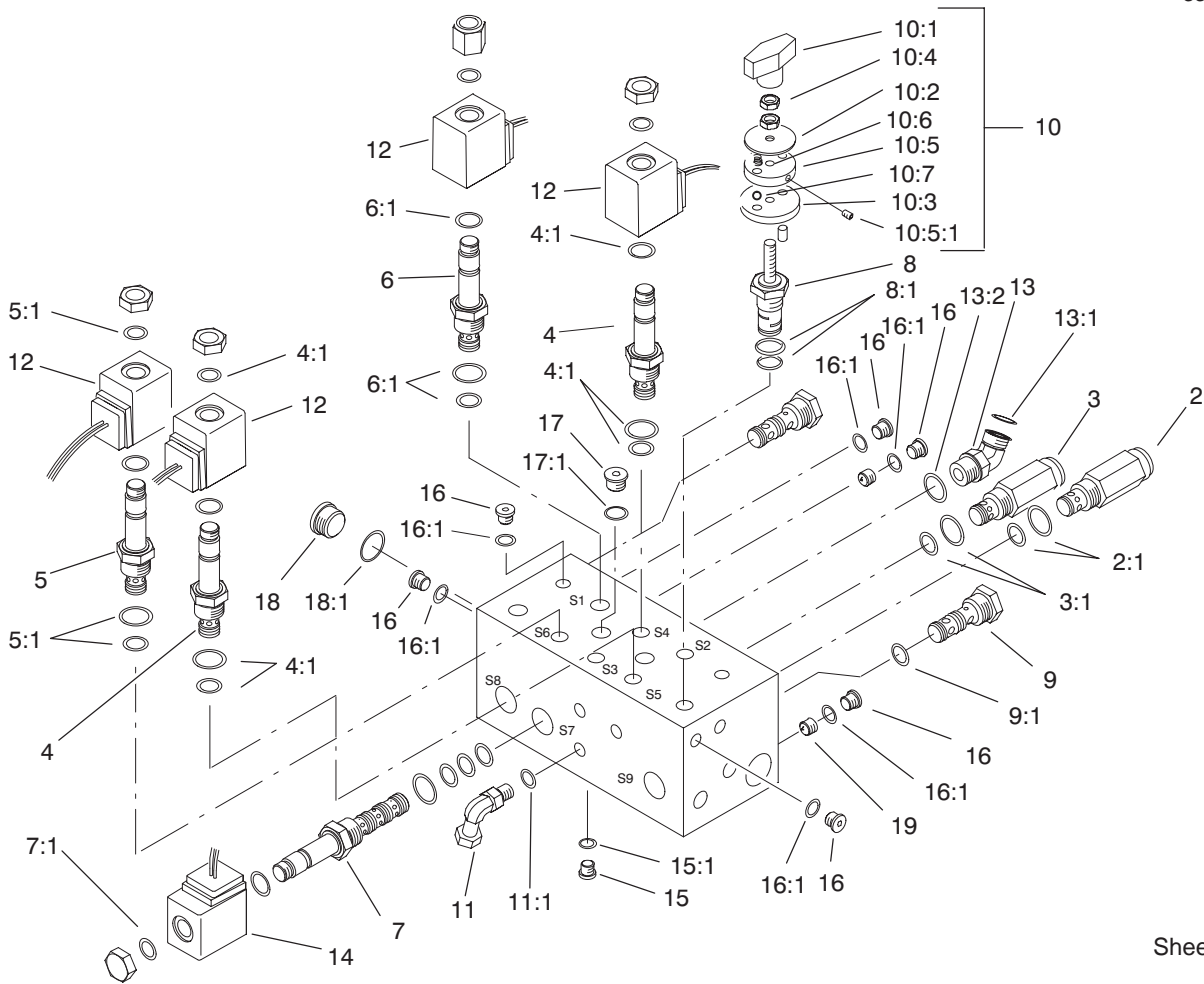
Sheet No.:21

## Hydraulic Control Block and Hoses Assembly

Ref. No.	Part No.	Qty.	Description
1	340-98	2	Fitting-HYD, 90°
1:1	237-79	1	O-Ring
1:2	237-30	1	O-Ring
2	100-3879	1	HYD Hose ASM
3	340-4	1	Adapter
3:1	237-30	1	O-Ring
3:2	237-79	1	O-Ring
4	98-4579	1	Hydraulic Manifold ASM
6	340-101	2	Fitting-HYD, 90°
6:1	237-30	1	O-Ring
6:2	237-79	1	O-Ring
7	354-77	2	Fitting-Quick
7:1	237-78	1	O-Ring
8	354-79	2	Cap-Dust
9	86-9190	2	Hose
9:1	237-30	1	O-Ring
11	340-92	2	Fitting-HYD, Straight
11:1	237-78	1	O-Ring
11:2	237-21	1	O-Ring
12	75-6640	2	Fitting-HYD, Special
12:1	237-78	1	O-Ring
13	98-9348	1	Hydraulic Hose ASM
14	98-9781	1	Fitting-HYD, 90°
14:1	237-30	1	O-Ring
14:2	237-79	1	O-Ring

Ref. No.	Part No.	Qty.	Description
15	340-139	1	Fitting-HYD, 90°
15:1	237-81	1	O-Ring
15:2	237-65	1	O-Ring
16	98-9347	1	Hydraulic Hose ASM
17	3253-4	4	Washer-Lock
18	322-3	4	Screw-HH
20	98-9742	1	Valve-Control, Flow
22	100-3878	1	HYD Hose ASM
23	340-1	2	Adapter
23:1	237-35	1	O-Ring
23:2	237-42	1	O-Ring
*24	3290-378	1	Tie-Cable
25	340-143	1	Elbow-Swivel, 90°
25:1	237-78	1	O-Ring

\* Not illustrated

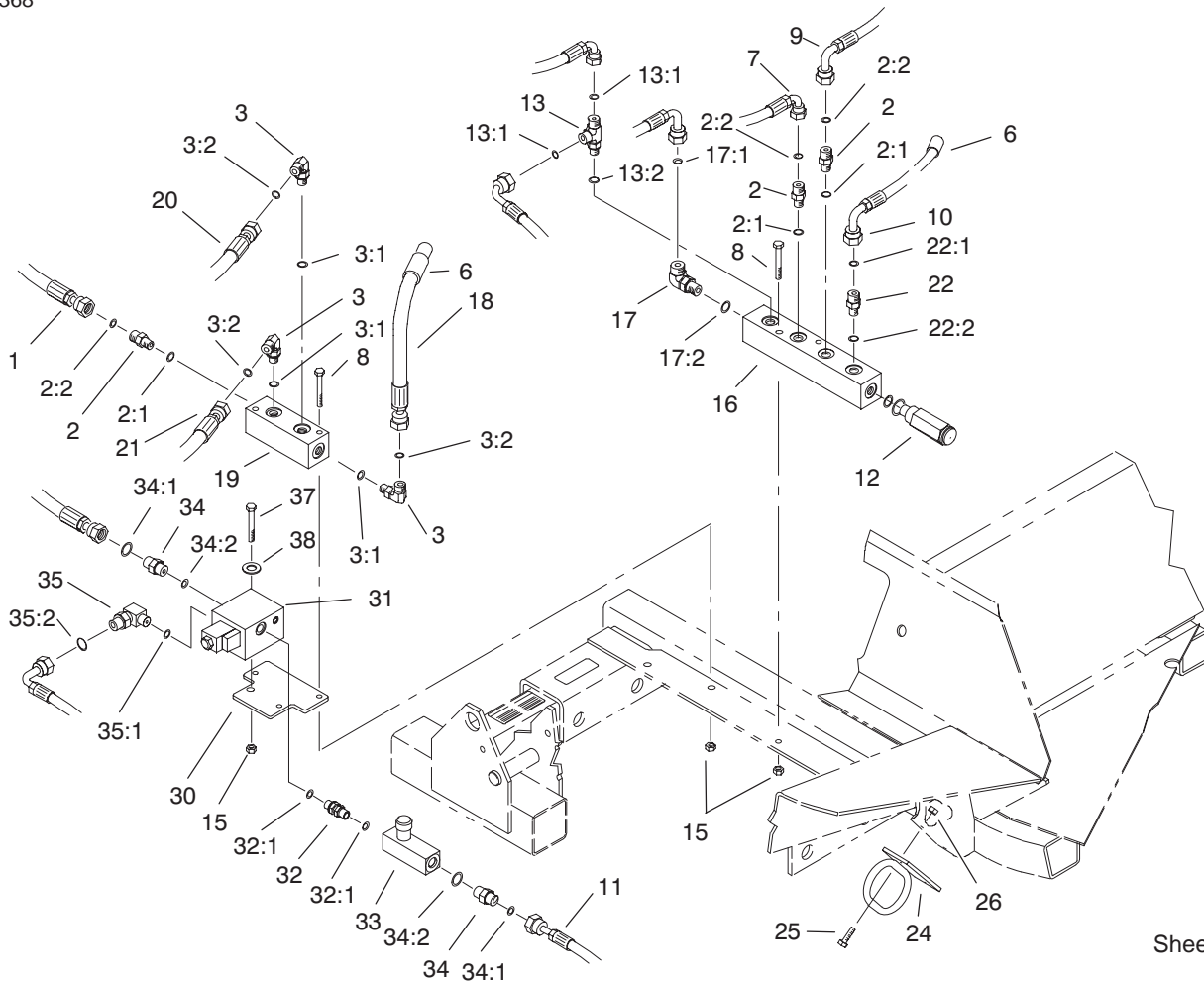


Sheet No.:B2  
T-1503

## Hydraulic Manifold Assembly No. 98-4579

Ref. No.	Part No.	Qty.	Description
2	75-2010	1	Cartridge-Relief, Da
2:1	95-5645	1	Seal Kit
3	75-0920	1	Cartridge-Relief
3:1	95-5645	1	Seal Kit
4	94-2685	3	Cartridge-N.c., Spool
4:1	95-5645	1	Seal Kit
5	92-6315	1	Cartridge-N.c., Poppet
5:1	104-0004	1	Cartridge Seal Kit
6	88-7020	2	Cartridge-N.o., Spool
6:1	95-5645	1	Seal Kit
7	88-6960	3	Cartridge
7:1	95-5642	1	Seal Kit
8	98-9779	2	Cartridge-Flow
8:1	95-5645	1	Seal Kit
9	69-4120	2	Cartridge-Logic
9:1	69-4240	1	Seal Kit
10	94-3660	1	Detent Kit
10:1	94-5020	1	Knob ASM
10:2	94-5025	1	Plate-Locating
10:3	94-5026	1	Plate-Indicator
10:4	3218-1	2	Nut-Jam
10:5	94-5023	1	Plate-Detent
10:5:1	3245-36	1	Screw-HSH
10:6	94-5027	2	Spring
10:7	255-13	2	Ball-Steel, Stainless

Ref. No.	Part No.	Qty.	Description
11	340-143	1	Elbow-Swivel, 90°
11:1	237-78	1	O-Ring
12	88-9190	6	Solenoid Coil Kit
13	340-101	1	Fitting-HYD, 90°
13:1	237-30	1	O-Ring
13:2	237-79	1	O-Ring
14	88-9200	3	Coil-Solenoid
15	106-1024	10	Plug-Zero Leak
15:1	237-156	1	O-Ring
16	106-1025	15	Plug - Zero Leak
16:1	237-78	1	O-Ring
17	106-1026	1	Plug-Zero Leak
17:1	237-42	1	O-Ring
18	106-1028	1	Plug-Zero Leak
18:1	237-80	1	O-Ring
19	95-5999	2	Plug-Orifice



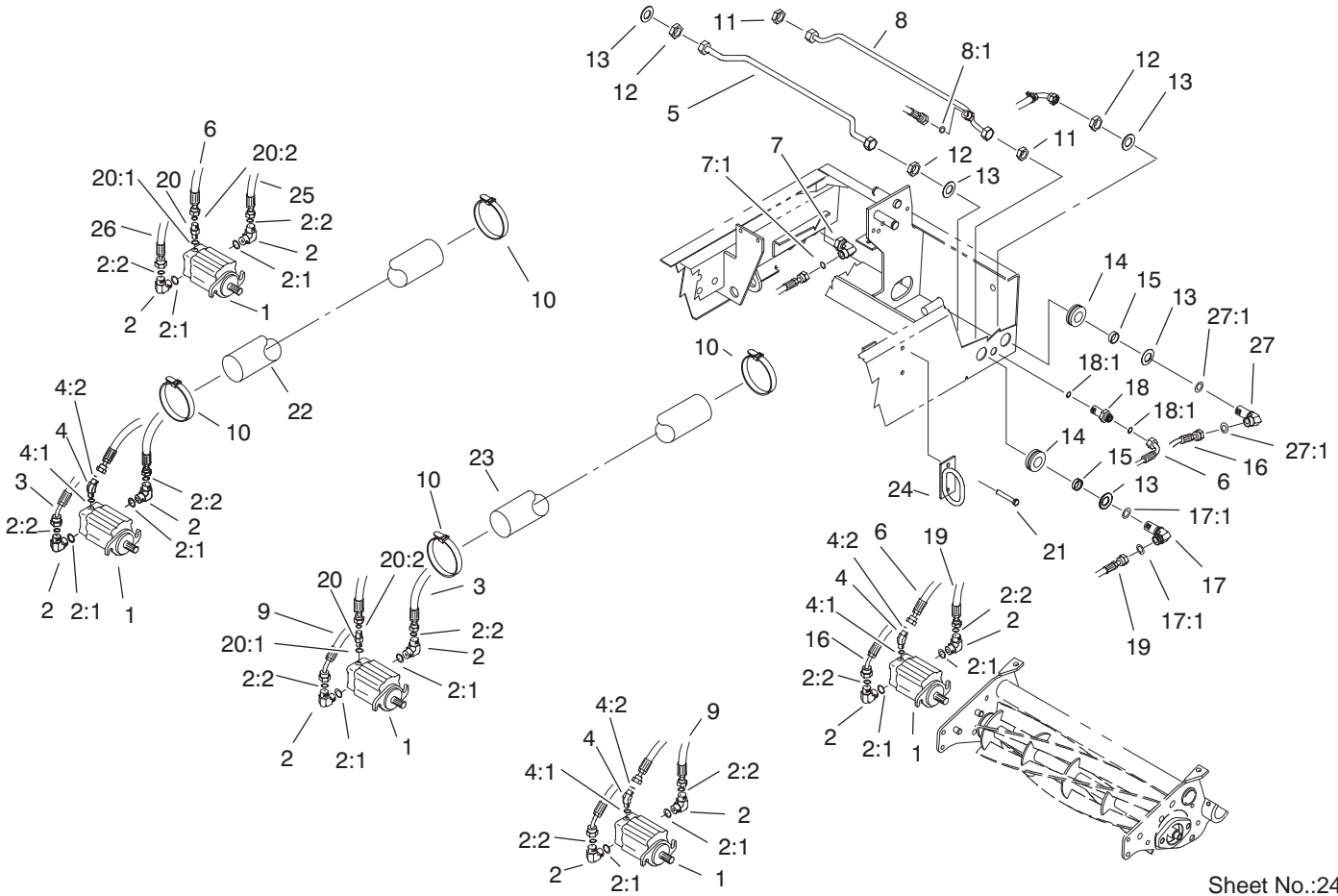
Sheet No.:22

## Front Hydraulic Manifold Assembly

Ref. No.	Part No.	Qty.	Description
1	98-4584	1	HYD Hose ASM
2	340-92	3	Fitting-HYD, Straight
2:1	237-78	1	O-Ring
2:2	237-21	1	O-Ring
3	340-132	3	Fitting-HYD, 90°
3:1	237-78	1	O-Ring
3:2	237-21	1	O-Ring
6	38-3400	2	Guard-Rubber
7	75-5910	1	Hose
8	321-18	4	Screw-HH
9	93-01 18	1	Hose ASM
10	93-01 19	1	Hose ASM
11	99-5643	1	Hose-HYD
12	93-0143	1	Cartridge-Relief, P.o.
13	340-140	1	Adapter-Tee
13:1	237-21	2	O-Ring
13:2	237-78	1	O-Ring
15	3296-42	6	Nut-Lock, NI
16	93-0139	1	Block-Manifold, 6 Port
17	340-77	1	Fitting-HYD, 90°
17:1	237-22	1	O-Ring
17:2	237-42	1	O-Ring
18	92-9096	1	Hose
19	75-1 180	1	Block-Manifold, 4 Port
20	98-4587	1	HYD Hose ASM
21	104-9323	1	HYD Hose ASM

Ref. No.	Part No.	Qty.	Description
22	340-2	2	Fitting-HYD, Straight
22:1	237-22	1	O-Ring
22:2	237-42	1	O-Ring
24	104-0028	2	Guide-Hose
25	322-5	4	Screw-HH
26	3296-29	4	Nut-Lock, NI
30	105-7510	1	Bracket-Mounting
31	105-3303	1	Flow Divider Valve ASM
32	99-5644	1	Fitting-Sae
32:1	237-42	2	O-Ring
33	98-9742	1	Valve-Control, Flow
34	340-1	2	Adapter
34:1	237-35	1	O-Ring
34:2	237-42	1	O-Ring
35	340-82	1	Adapter
35:1	237-42	1	O-Ring
35:2	237-21	1	O-Ring
37	321-23	2	Screw-HH
38	3256-2	2	Washer-Flat





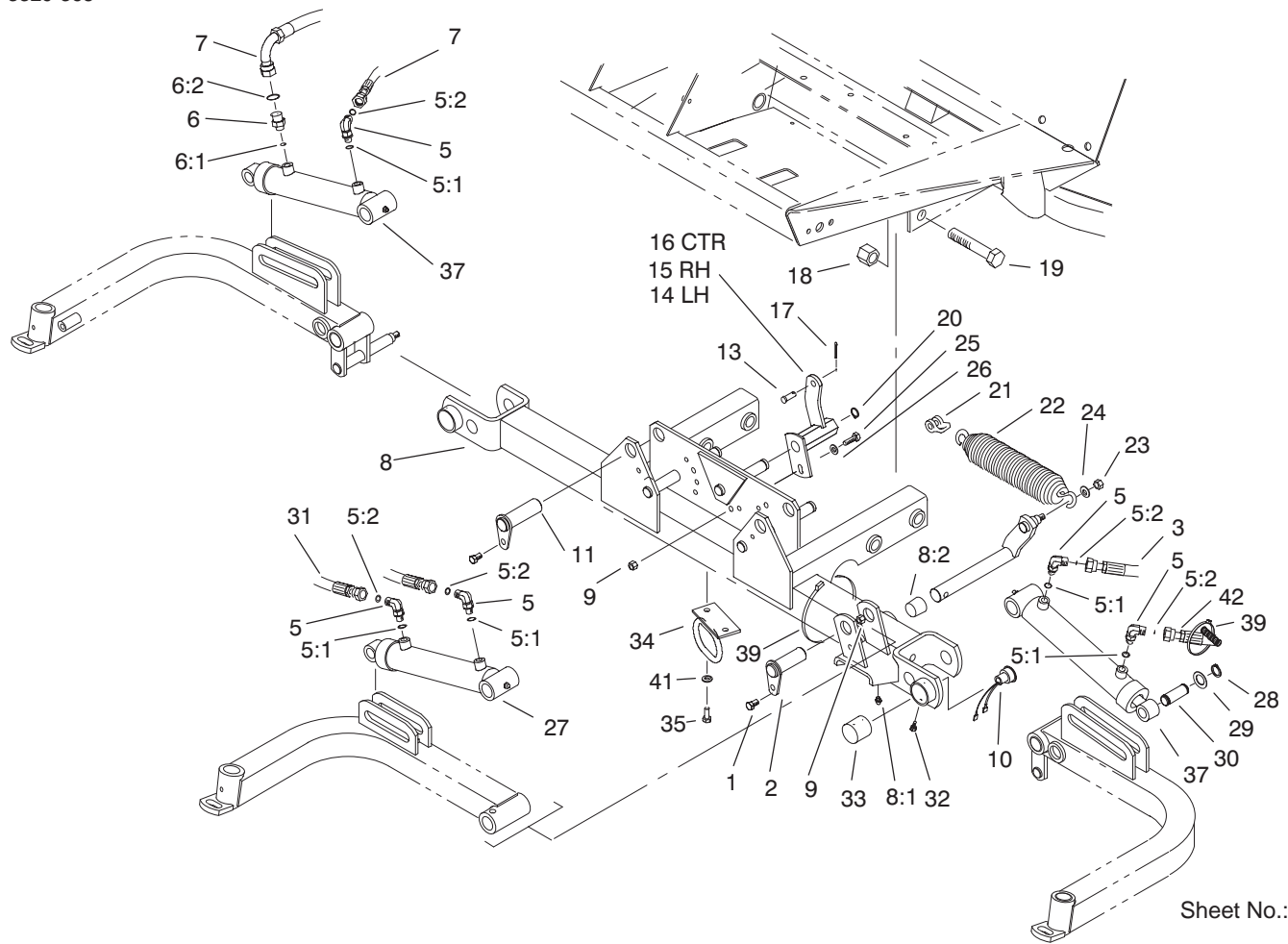
Sheet No.:24

## Reel Motors Assembly

Ref. No.	Part No.	Qty.	Description
1	100-6426	5	HYD Motor ASM
2	340-98	10	Fitting-HYD, 90°
2:1	237-79	1	O-Ring
2:2	237-30	1	O-Ring
3	104-9322	1	HYD Hose ASM
4	340-103	3	Fitting-HYD, 45°
4:1	237-78	1	O-Ring
4:2	237-21	1	O-Ring
5	94-4918	1	Tube ASM
6	98-4583	2	HYD Hose ASM
7	94-6031	1	Fitting-HYD
7:1	237-30	1	O-Ring
8	100-3714	1	Drain Tube ASM
8:1	237-21	1	O-Ring
9	104-9321	1	HYD Hose ASM
10	3290-379	10	Tie-Cable
11	340-70	2	Nut-Lock
12	340-127	4	Nut-Bulkhead
13	69-8930	8	Washer
14	240-5	4	Grommet
15	69-8960	4	Spacer
16	100-3876	1	HYD Hose ASM
17	93-9151	3	Fitting-HYD
17:1	237-30	2	O-Ring
18	340-71	2	Fitting-Straight, Bulkhead

Ref. No.	Part No.	Qty.	Description
18:1	237-22	2	O-Ring
19	100-3877	1	HYD Hose ASM
20	340-92	2	Fitting-HYD, Straight
20:1	237-78	1	O-Ring
20:2	237-21	1	O-Ring
21	32104-32	4	Screw-HH
22	99-5648	4	Sleeve-Protective
23	99-5617	1	Sleeve-Protective
24	104-0028	2	Guide-Hose
25	104-0057	1	HYD Hose ASM
26	104-0069	1	HYD Hose ASM
27	100-3713	1	Fitting-HYD, 90°
27:1	237-30	2	O-Ring





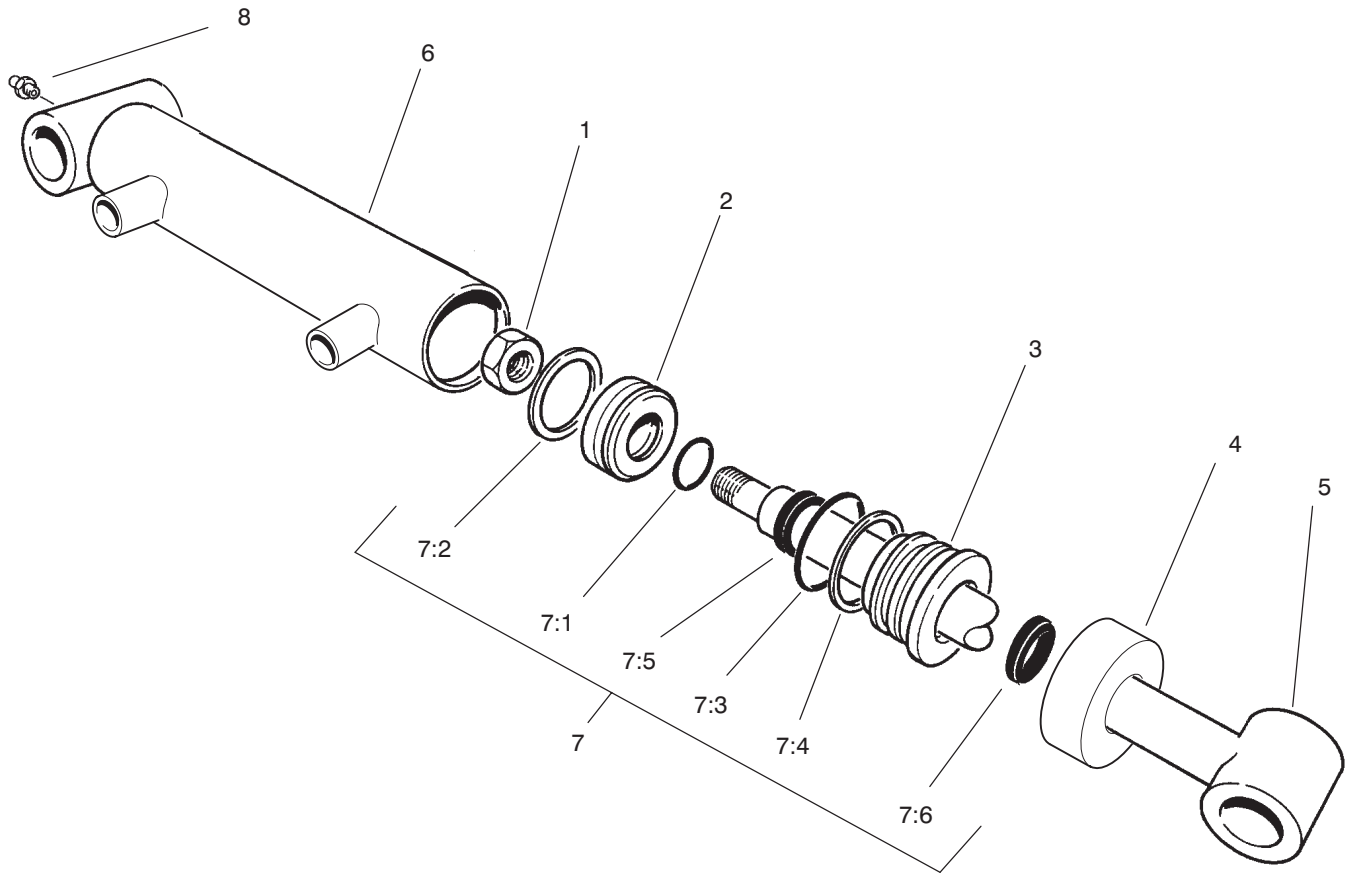
Sheet No.:25

## Front Lift Circuit Assembly

Ref. No.	Part No.	Qty.	Description
1	32144-14	3	Screw-HWH
2	106-9208	1	Short Cylinder Pin ASM
3	99-5643	1	Hose-HYD
5	340-132	5	Fitting-HYD, 90°
5:1	237-78	1	O-Ring
5:2	237-21	1	O-Ring
6	340-92	1	Fitting-HYD, Straight
6:1	237-78	1	O-Ring
6:2	237-21	1	O-Ring
7	99-5641	2	Hose-HYD
8	94-5808	1	Frame-Carrier
8:1	302-5	1	Fitting-Grease
8:2	67-1750	2	Bushing
9	3296-29	4	Nut-Lock, NI
10	92-8002	1	Switch-Lift, Back Biased
11	105-9889	2	Cylinder Pin ASM
*12	3290-379	4	Tie-Cable
13	283-6	3	Pin-Clevis
14	75-5220-03	1	Bracket-Spring, LH
15	75-5200-03	1	Bracket-Spring, RH
16	75-5210-03	1	Bracket-Spring, Center
17	3272-10	3	Pin-Cotter
18	3296-51	4	Nut-Lock, NI

Ref. No.	Part No.	Qty.	Description
19	328-7	4	Screw-HH
20	32151-48	3	E-Ring
21	282-4	3	Shackle
22	5-0743-03	3	Spring-Mower
23	3296-44	3	Nut-Lock, NI
24	3256-24	3	Washer-Flat
25	322-5	3	Screw-HH
26	3256-23	3	Washer-Flat
27	93-9310	1	Cylinder-HYD
28	32120-93	6	Ring-Retaining
29	3-6498	6	Washer-Thrust
30	104-0046	3	Pin-Slide, Cylinder
31	75-5900	1	Hose
32	32104-76	2	Screw
33	75-6370	1	Cap-Sensor
34	104-0028	1	Guide-Hose
35	322-5	2	Screw-HH
37	99-6986	2	Cylinder-HYD
39	3290-378	2	Tie-Cable
41	3253-4	2	Washer-Lock
42	99-5642	1	Hose-HYD

\* Not illustrated



Sheet No.:B4  
T-2114

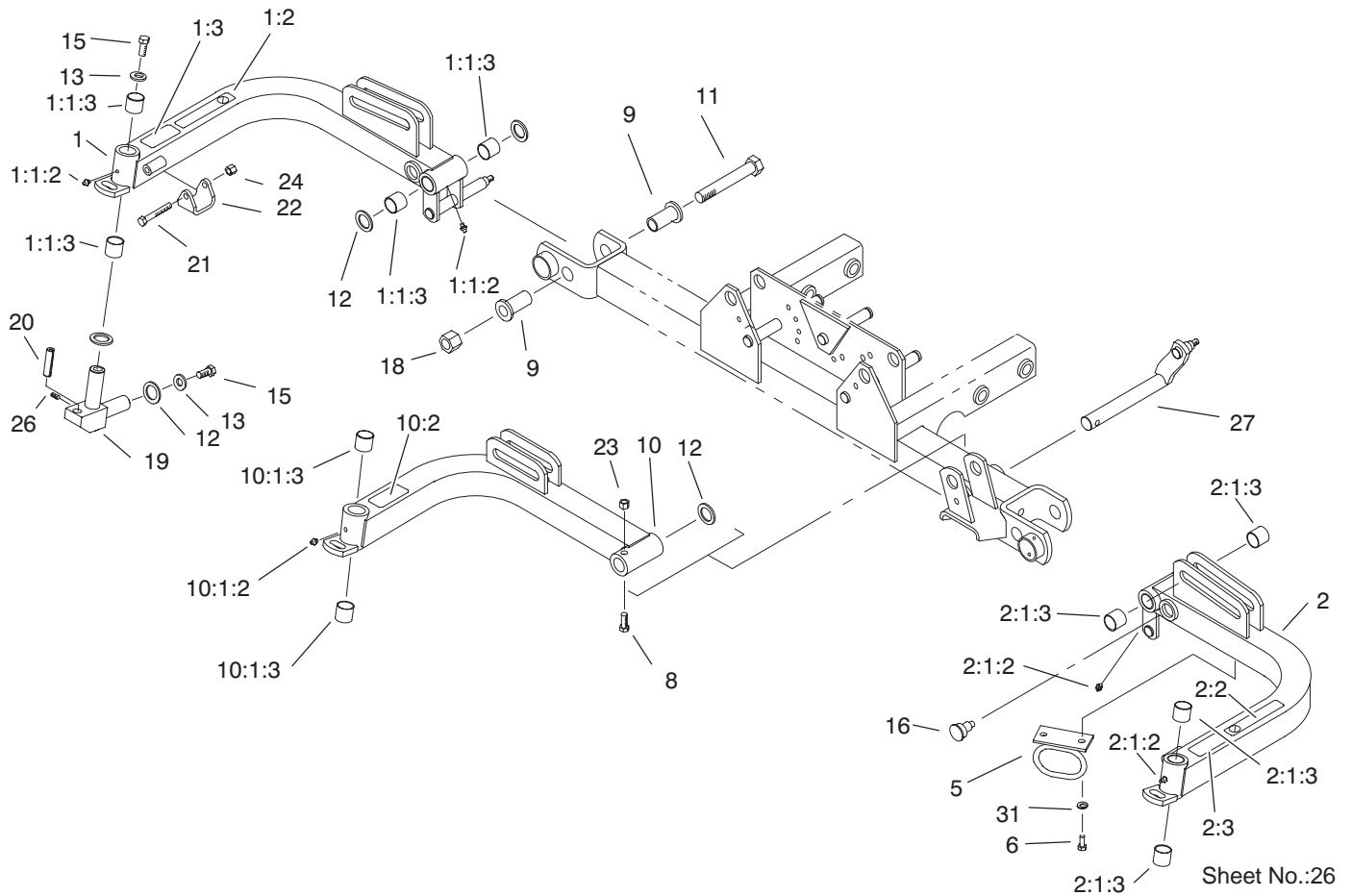
### Hydraulic Cylinder No. 93-9310

Ref. No.	Part No.	Qty.	Description
☆1		1	Locknut
☆2		1	Piston
☆3		1	Head
☆4		1	Collar
☆5		1	Shaft W/Tube
☆6		1	Barrel ASM
7	86-7330	1	Seal Kit
☆7:1		1	O-Ring
☆7:2		1	Seal-Special
☆7:3		1	O-Ring
☆7:4		1	Backup
☆7:5		1	Seal-Rod
☆7:6		1	Seal-Dust
8	302-5	1	Fitting-Grease

Ref. No.	Part No.	Qty.	Description

☆ Not serviced separately

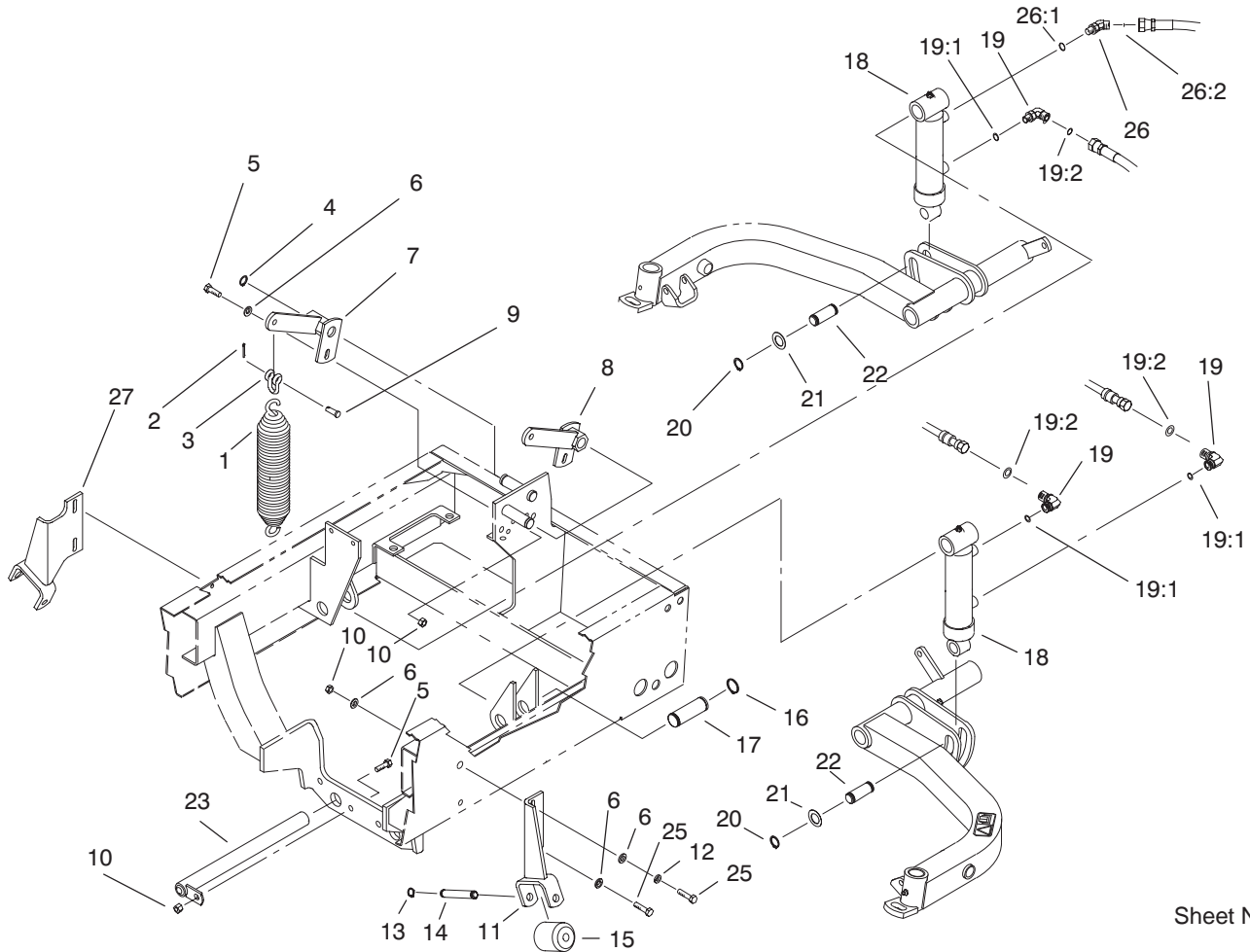




## Front Lift Arm Assembly

Ref. No.	Part No.	Qty.	Description
1	104-8601	1	RH Lift Arm ASM
1:1:2	302-5	2	Fitting-Grease
1:1:3	67-1750	4	Bushing
1:2	93-6687	1	Decal-Step, No
1:3	93-6696	1	Decal-Spring, Loaded
2	104-8600	1	LH Lift Arm ASM
2:1:2	302-5	2	Fitting-Grease
2:1:3	67-1750	4	Bushing
2:2	93-6687	1	Decal-Step, No
2:3	93-6696	1	Decal-Spring, Loaded
5	104-0028	2	Guide-Hose
6	322-5	4	Screw-HH
8	323-11	1	Screw-HH
9	84-8320	4	Insert-Hinge
10	104-8602	1	Center Lift Arm ASM
10:1:2	302-5	1	Fitting-Grease
10:1:3	67-1750	2	Bushing
10:2	93-6696	1	Decal-Spring, Loaded
11	328-12	2	Screw-HH
12	256-115	11	Washer-Thrust
13	3256-6	6	Washer-Flat
15	98-7993	6	Screw-HHF
16	92-8754	1	Lug-Reed Switch, Magnet
18	3296-51	2	Nut-Lock, NI
19	75-3010-03	3	Joint-Arm

Ref. No.	Part No.	Qty.	Description
20	104-9319	3	Pin-Grooved
21	323-12	2	Screw-HH
22	75-5410	2	Bracket-Arm
23	3296-44	1	Nut-Lock, NI
24	3296-39	2	Nut-Lock, NI
26	92-9097	3	Screw-HS
27	75-4550-03	1	Shaft-Lift, Center
31	3253-4	4	Washer-Lock



Sheet No.:27

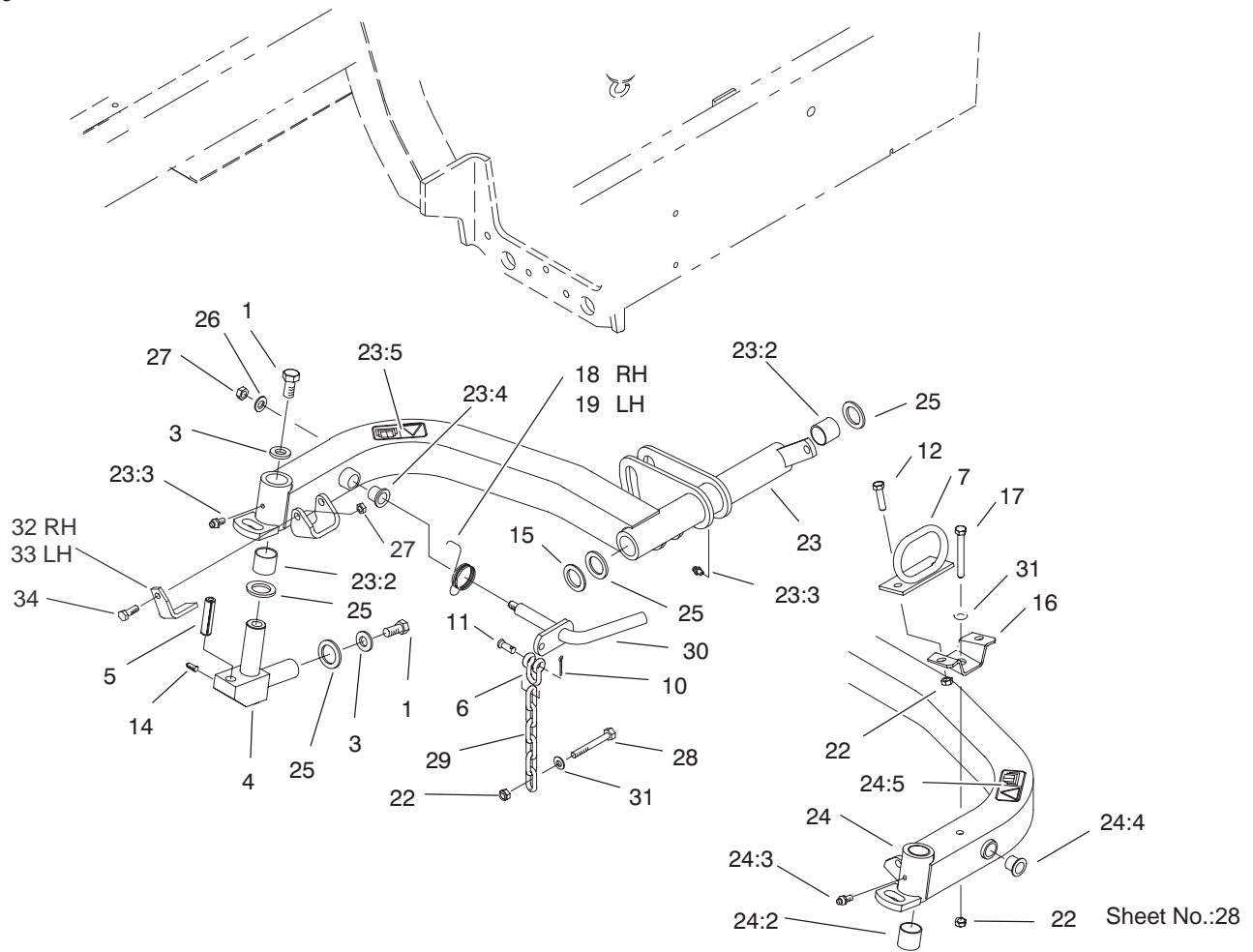
## Rear Lift Circuit Assembly

Ref. No.	Part No.	Qty.	Description
1	5-0743-03	2	Spring-Mower
2	3272-10	2	Pin-Cotter
3	282-4	2	Shackle
4	32151-48	2	E-Ring
5	322-5	4	Screw-HH
6	3256-23	9	Washer-Flat
7	98-4548-03	1	Bracket-Spring, RH
8	98-4536-03	1	Bracket-Spring, LH
9	283-6	2	Pin-Clevis
10	3296-29	11	Nut-Lock, NI
11	100-3831-01	1	Bracket-LH Roller
12	3253-4	2	Washer-Lock
13	32151-61	4	Ring-Retaining
14	75-5400	2	Pin-Roller
15	75-5390	2	Roller
16	32151-36	4	Ring-Retaining
17	75-5360	2	Pin-Cylinder
18	93-931 1	2	Cylinder-HYD
19	340-132	3	Fitting-HYD, 90°
19:1	237-78	1	O-Ring
19:2	237-21	1	O-Ring
20	32120-93	4	Ring-Retaining
21	3-6498	4	Washer-Thrust
22	104-0046	2	Pin-Slide, Cylinder
23	93-0069-03	2	Pin-Rear
*24	3290-379	3	Tie-Cable

Ref. No.	Part No.	Qty.	Description
25	322-6	4	Screw-HH
26	340-103	1	Fitting-HYD, 45°
26:1	237-78	1	O-Ring
26:2	237-21	1	O-Ring
27	100-3829-01	1	Bracket-RH Roller

\* Not illustrated



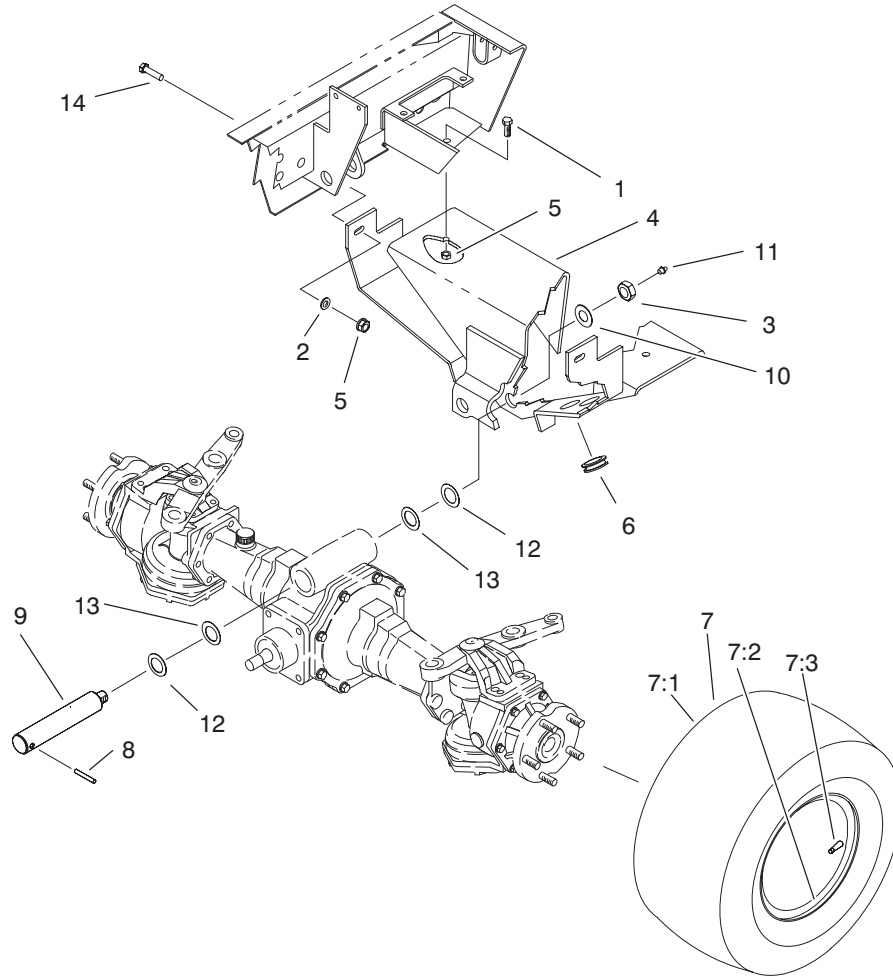


## Rear Lift Arm Assembly

Ref. No.	Part No.	Qty.	Description
1	98-7993	4	Screw-HHF
3	3256-6	4	Washer-Flat
4	75-3010-03	2	Joint-Arm
5	104-9319	2	Pin-Grooved
6	282-4	2	Shackle
7	104-0028	1	Guide-Hose
*9	3290-379	1	Tie-Cable
10	105-7512	2	Pin-Tie, Bow
11	283-6	2	Pin-Clevis
12	322-5	2	Screw-HH
14	92-9097	2	Screw-HS
15	93-0142	2	Bushing-Straight
16	94-4919-03	1	Bracket-Clamp, Hose
17	322-13	1	Screw-HH
18	75-4520	1	Spring-Torsion, RH
19	75-4530	1	Spring-Torsion, LH
22	3296-29	4	Nut-Lock, NI
23	100-3828	1	RH Rear Lift Arm ASM
23:2	67-1750	4	Bushing
23:3	302-5	2	Fitting-Grease
23:4	256-287	2	Bushing
23:5	93-6696	1	Decal-Spring, Loaded
24	100-3827	1	LH Rear Lift Arm ASM
24:2	256-287	2	Bushing
24:3	302-5	2	Fitting-Grease
24:4	67-1750	4	Bushing

Ref. No.	Part No.	Qty.	Description
24:5	93-6696	1	Decal-Spring, Loaded
25	256-1 15	12	Washer-Thrust
26	3256-24	2	Washer-Flat
27	3296-39	4	Nut-Lock, NI
28	322-12	2	Screw-HH
29	84-2451	2	Chain-Link, Straight
30	100-3834-03	2	Rod-Pivot
31	3256-23	3	Washer-Flat
32	93-3640	1	Stop-RH
33	83-5170	1	Stop-LH
34	323-6	2	Screw-HH

\* Not illustrated



Sheet No.:30

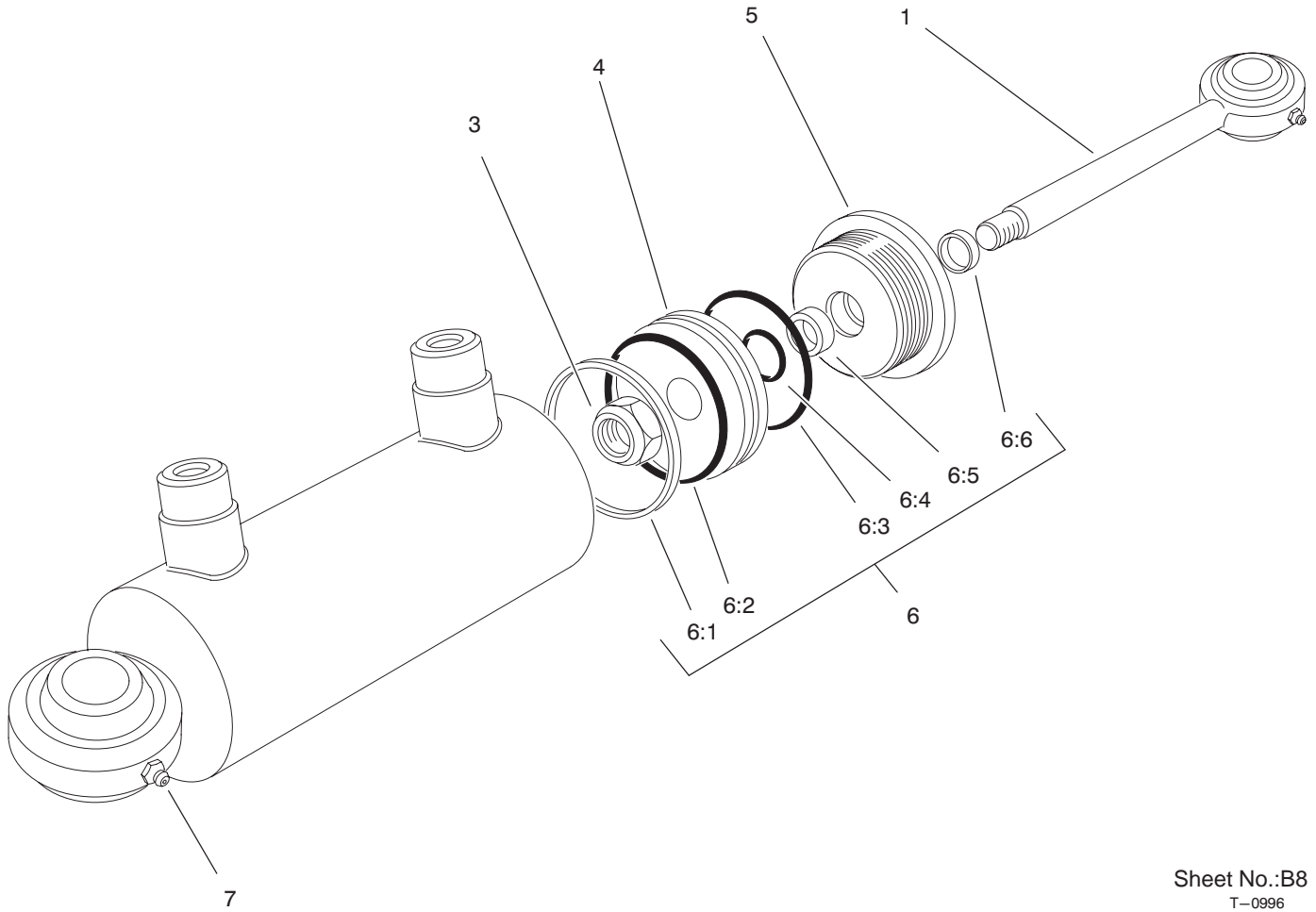
## Rear Axle Support Assembly

Ref. No.	Part No.	Qty.	Description	Ref. No.	Part No.	Qty.	Description
1	323-7	2	Screw-HH				
2	3256-24	2	Washer-Flat				
3	32146-20	1	Nut-Jam				
4	98-8172-03	1	Support-Axle				
5	3296-39	4	Nut-Lock, NI				
6	237-165	2	Grommet				
☆7		2	Tire And Wheel ASM				
7:1	86-5910	1	Tire				
7:2	100-2582	1	Rim				
7:3	232-27	1	Stem-V valve				
8	32121-32	1	Pin-Roll				
9	98-8173-03	1	Pin-Pivot, Axle				
10	71-4540	1	Washer-Thrust				
11	302-2	1	Fitting-Grease				
12	99-8431	2	Washer-Thrust				
13	99-8432	2	Washer-Thrust				
14	323-13	2	Screw-HH				

☆ Not serviced separately







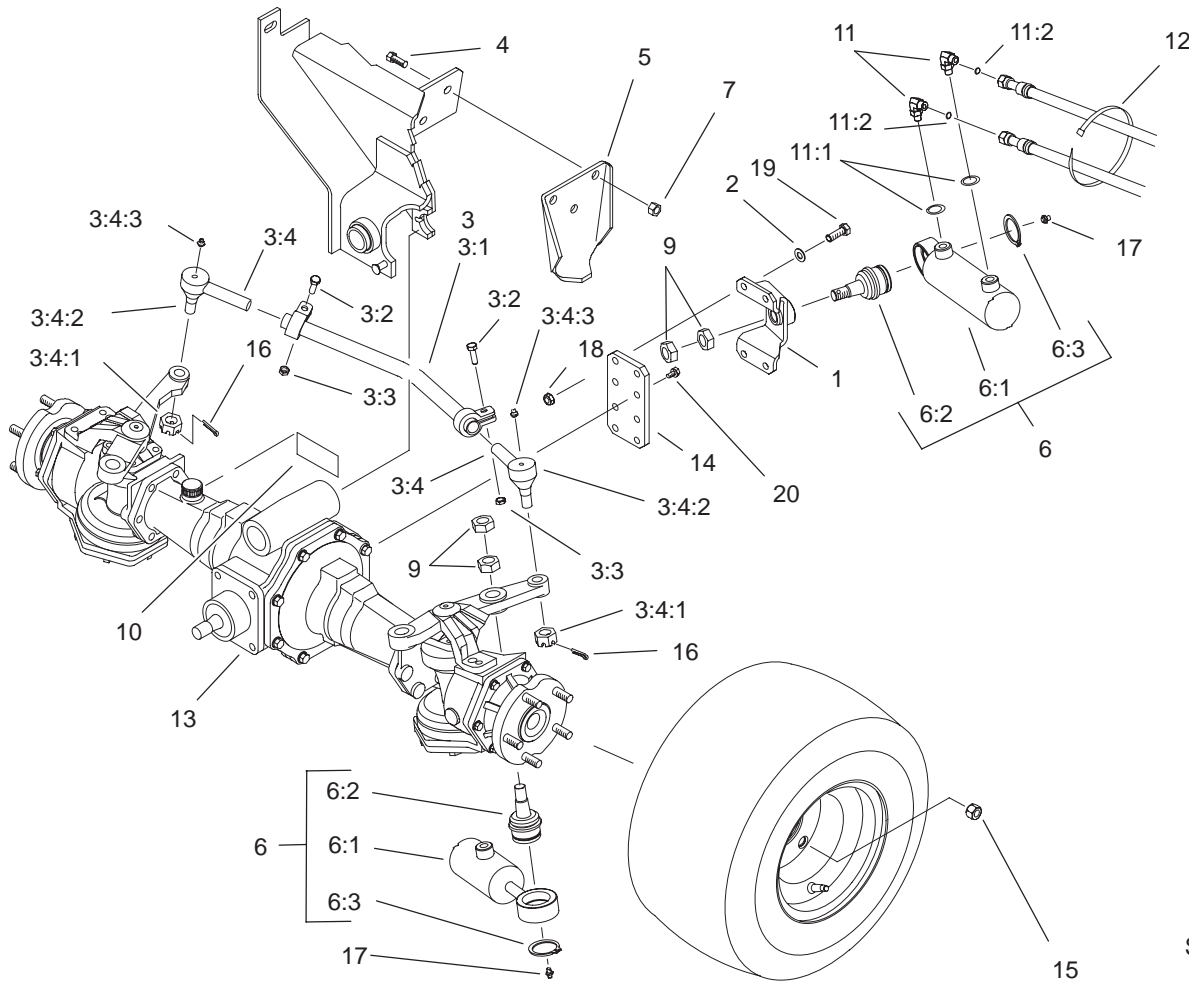
Sheet No.:B8  
T-0996

### Hydraulic Cylinder No. 75-1200 (only on: 03543)

Ref. No.	Part No.	Qty.	Description
☆1		1	Rod
☆3		1	Nut
☆4		1	Piston
☆5		1	Head
6	75-1250	1	Seal Kit
☆6:1		1	Ring-Servon
☆6:2		1	O-Ring
☆6:3		1	O-Ring
☆6:4		1	O-Ring
☆6:5		1	U-Cup
☆6:6		1	Wiper
7	302-5	2	Fitting-Grease

Ref. No.	Part No.	Qty.	Description

☆ Not serviced separately



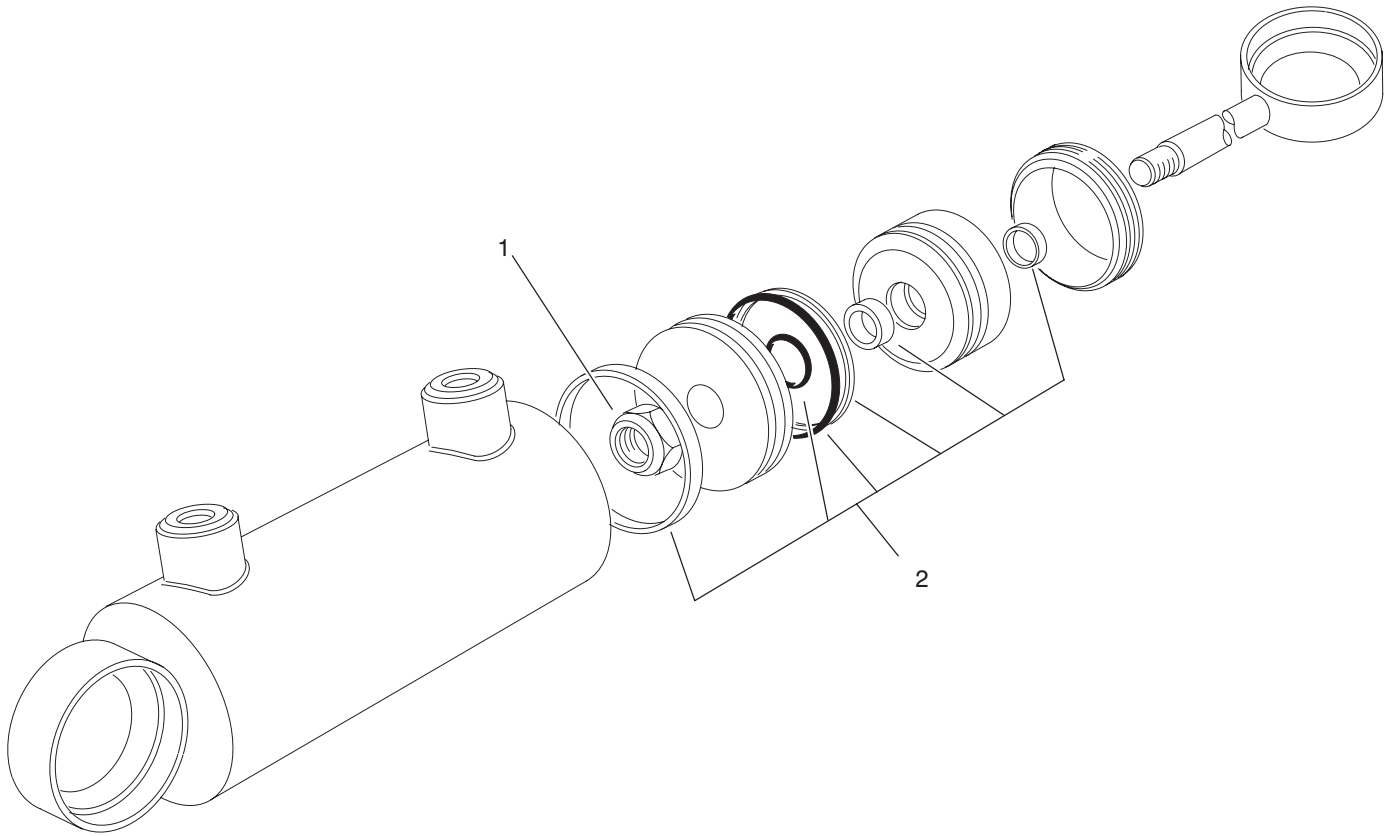
Sheet No.:32

### 4 Wheel Drive Rear Axle Assembly (only on: 03544)

Ref. No.	Part No.	Qty.	Description
1	98-3948-03	1	Mount-Cylinder
2	48-9220	4	Washer
3	98-3932	1	Tie Rod ASM
3:1	99-8996	1	Tube And Clamp ASM
3:2	323-9	2	Screw-HH
3:3	3296-39	2	Nut-Lock, NI
3:4	71-4740	2	End-Rod, Tie
3:4:1	105-7941	1	Nut-Hex, Slotted
3:4:2	105-7835	1	Seal
3:4:3	302-5	1	Fitting-Grease
4	325-5	6	Screw-HH
5	99-6966-03	2	Stop-Axle
☆6		1	Steering Cylinder ASM
6:1	98-8163	1	Cylinder-Steering
6:2	92-5838	2	Joint-Ball
6:3	32151-104	2	Ring-Retaining, External
7	3296-23	6	Nut-Lock, NI
9	3220-6	4	Nut-Jam
10	93-6697	1	Decal-Lube
11	340-132	2	Fitting-HYD, 90°
11:1	237-78	1	O-Ring
11:2	237-21	1	O-Ring
12	3290-378	1	Tie-Cable
13	98-3925	1	Drive Axle ASM

Ref. No.	Part No.	Qty.	Description
14	98-8198-03	1	Plate-Bracket, Cylinder
15	93-5268	10	Nut-Lug
16	3272-1 1	2	Pin-Cotter
17	302-5	2	Fitting-Grease
18	3296-39	4	Nut-Lock, NI
19	323-8	4	Screw-HH
20	95-8812	4	Screw-HH

☆ Not serviced separately

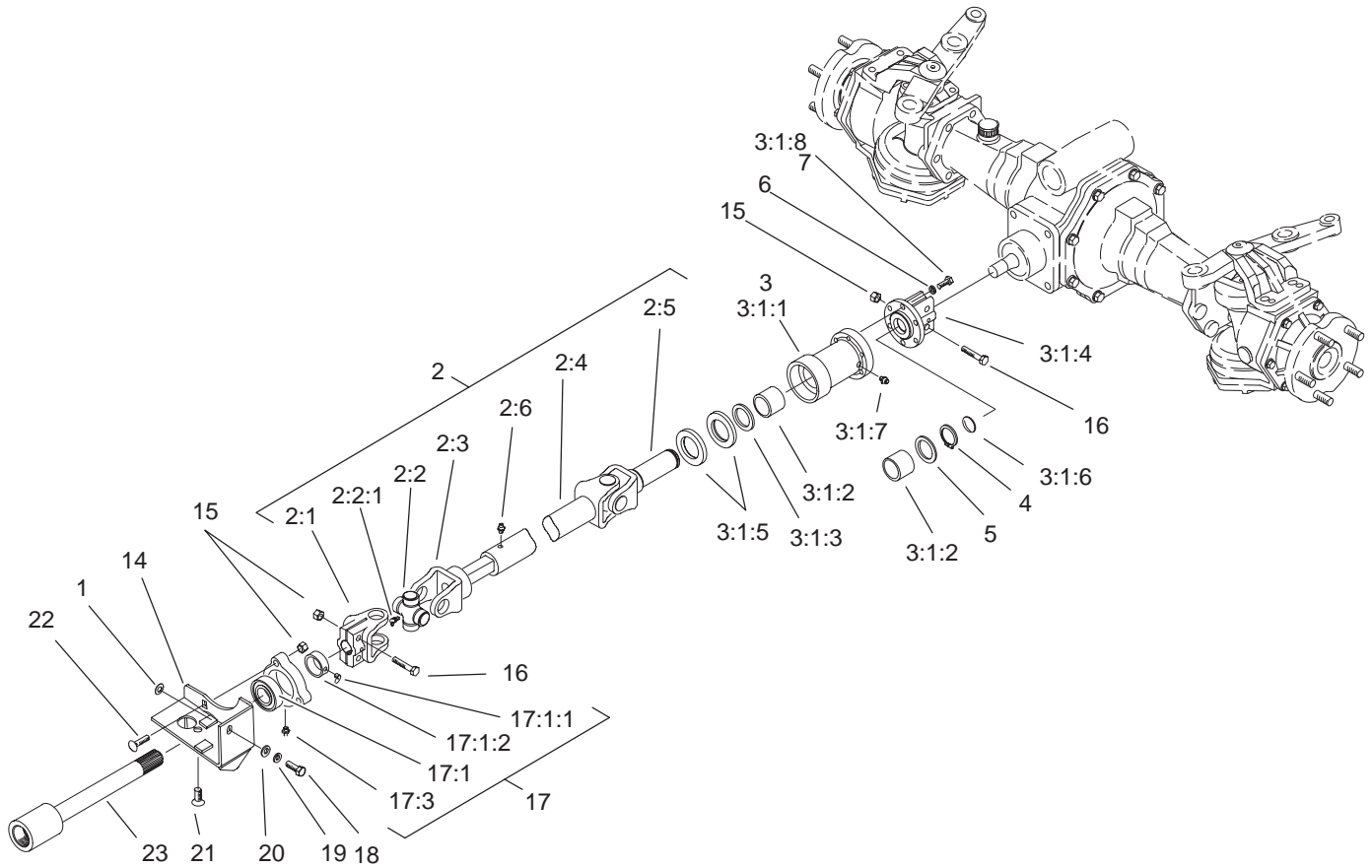


Sheet No.:B9  
T-3513

## Hydraulic Cylinder Assembly No. 98-8163 (only on: 03544)

Ref. No.	Part No.	Qty.	Description
1	32152-10	1	Locknut
2	100-8022	1	Seal Repair Kit

Ref. No.	Part No.	Qty.	Description



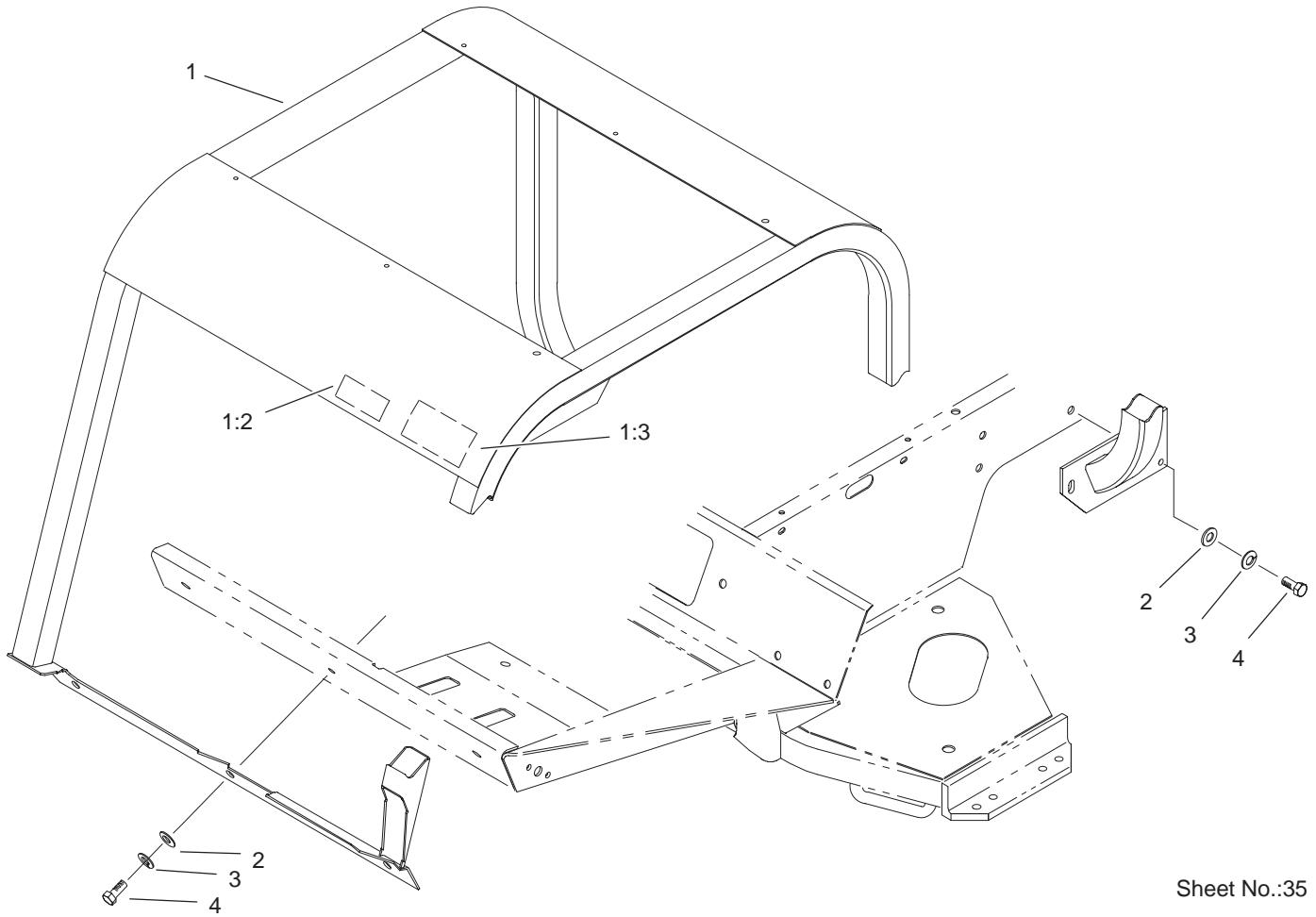
Sheet No.:33

### 4 Wheel Drive Shaft Assembly (only on: 03544)

Ref. No.	Part No.	Qty.	Description
1	83-7470	2	Shim
2	99-6976	1	Driveshaft
2:1	54-9090	1	Yoke-End
2:2	54-9180	2	U-Joint Kit
2:2:1	62-3820	1	Fitting-Grease
2:3	104-1693	1	Yoke And Shaft
2:4	83-5260	1	Tube-Yoke, Slip
2:5	72-3440	1	Shaft-Yoke
2:6	302-56	1	Fitting-Grease
☆3		1	Clutch Housing ASM
3:1:1	71-4570-03	1	Housing-Clutch, Roller
3:1:2	71-4580	2	Bearing
3:1:3	71-4590	1	Washer-Thrust
3:1:4	76-4690-03	1	Coupling-Axle
3:1:5	253-155	2	Seal-Oil
3:1:6	284-3	1	Plug
3:1:7	302-5	1	Fitting-Grease
3:1:8	3274-8	1	Screw-HSH
4	32151-87	1	Ring-Retaining
5	71-4590	2	Washer-Thrust
6	3253-3	6	Washer-Lock
7	3274-8	6	Screw-HSH
14	83-4970-03	1	Bracket-Bearing
15	3296-29	7	Nut-Lock, NI
16	322-8	4	Screw-HH
17	76-2460	1	Bearing ASM

Ref. No.	Part No.	Qty.	Description
17:1	94-3405	1	Bearing-Ball
17:1:1	3245-35	1	Screw-HS
17:1:2	251-77	1	Lockcollar-Bearing
17:3	302-5	1	Fitting-Grease
18	48-9460	1	Screw-HH
19	42-9850	1	Washer-Lock, Spring
20	48-8030	1	Washer
21	3274-34	1	Screw-HSFH
22	3230-3	3	Screw-CARR
23	83-4900-03	1	Shaft-T raction

☆ Not serviced separately

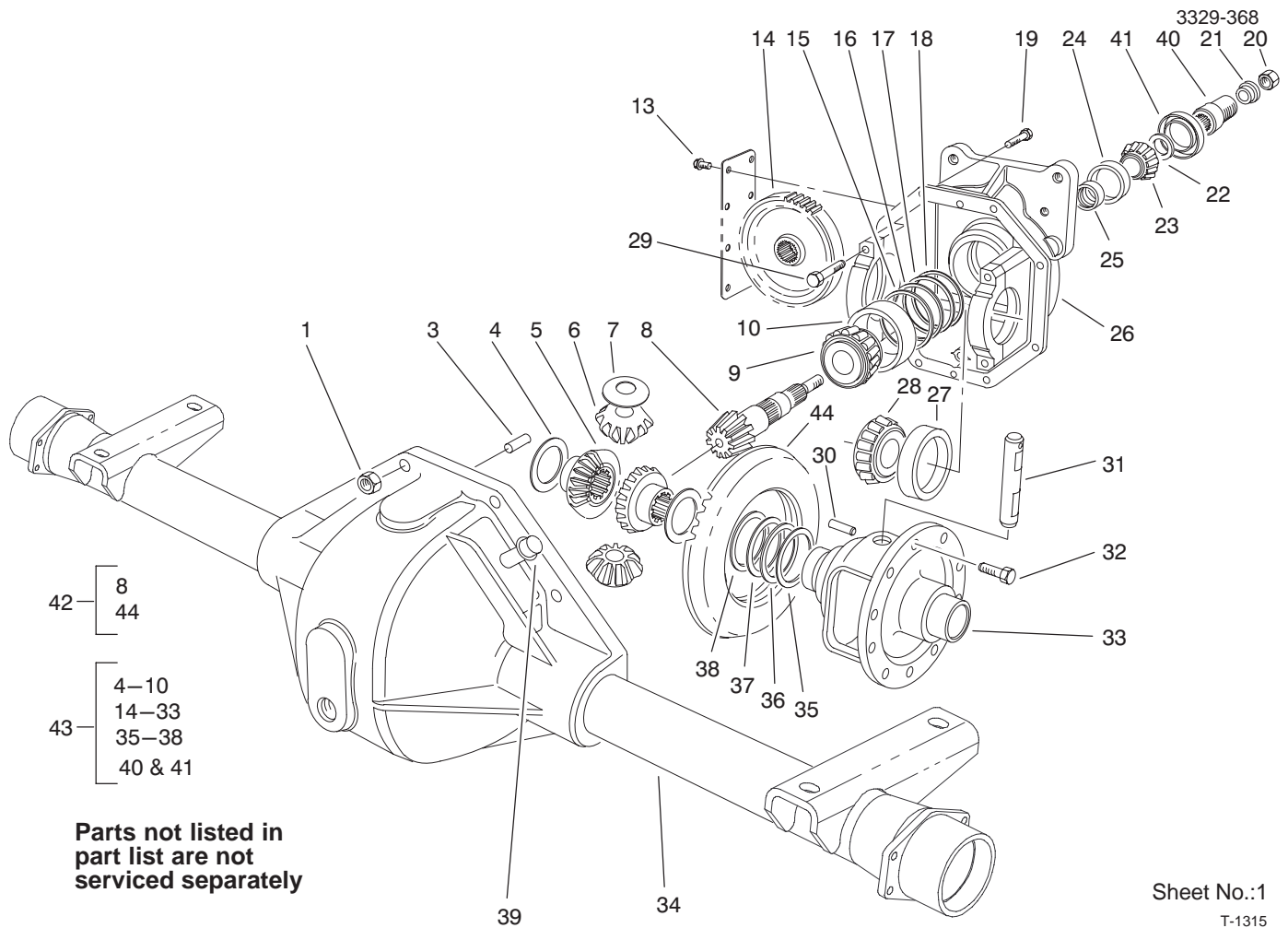


Sheet No.:35

## Roll-Over-Protection-System and Stabilizer Assembly (only on: 03544)

Ref. No.	Part No.	Qty.	Description
1	104-1248	1	Rops ASM
1:2	85-9980	1	Decal
1:3	93-8050	1	Decal-Roof, Rops
2	3256-26	9	Washer-Flat
3	3253-7	9	Washer-Lock
4	325-5	9	Screw-HH

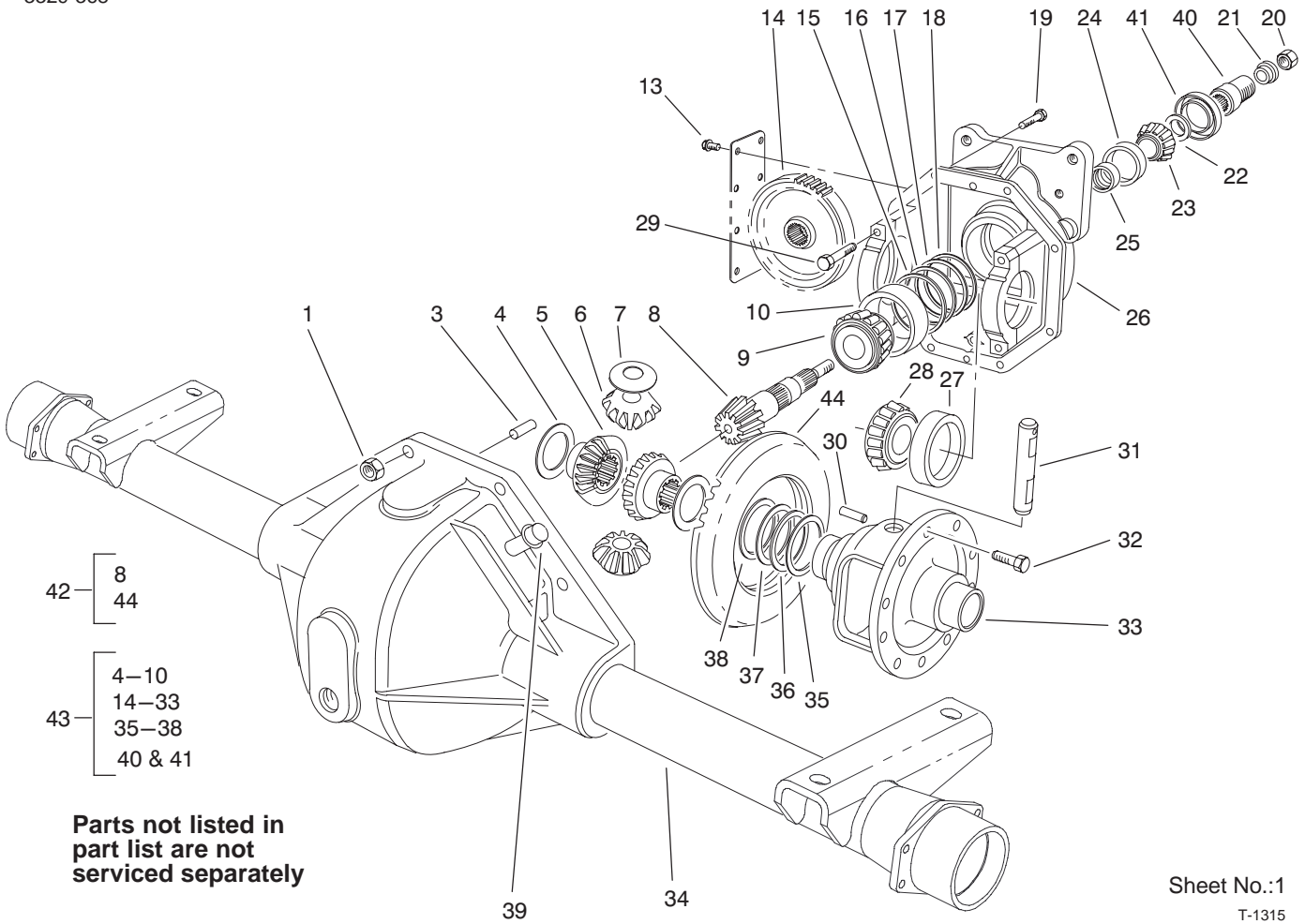
Ref. No.	Part No.	Qty.	Description



## Axle Assembly No. 106-9212-03

Ref. No.	Part No.	Qty.	Description
1	32149-5	8	Nut
3	21-8270	2	Pin-Dowel
4	21-7720	2	Washer-Thrust
5	24-8790	2	Gear-Dif ferential
6	21-7690	2	Pinion-Dif ferential
7	21-7730	2	Washer-Thrust, Pinion
9	43-6760	1	Bearing-Roller, Cone Taper
10	43-6750	1	Bearing-Taper, Cup
13	32144-1 12	8	Screw-HWHTF
14	86-7230	1	Gear-Input, Transmission
15	43-6710	1	Shim
16	43-6711	1	Shim
17	43-6712	1	Shim
18	43-6713	1	Shim
19	3210-8	8	Screw-HH
20	71-4350	1	Nut
21	83-5130	1	Spacer-Pinion
22	72-3570	1	Shim-Bearing, Front
22	72-3571	1	Shim-Bearing, Front
22	72-3572	1	Shim-Bearing, Front
22	72-3573	1	Shim-Bearing, Front
22	72-3574	1	Shim-Bearing, Front
22	72-3575	1	Shim-Bearing, Front
22	72-3576	1	Shim-Bearing, Front

Ref. No.	Part No.	Qty.	Description
22	72-3577	1	Shim-Bearing, Front
22	72-3578	1	Shim-Bearing, Front
22	72-3580	1	Shim-Bearing, Front
22	72-3581	1	Shim-Bearing, Front
22	72-3582	1	Shim-Bearing, Front
22	72-3583	1	Shim-Bearing, Front
22	72-3584	1	Shim-Bearing, Front
22	72-3585	1	Shim-Bearing, Front
22	72-3586	1	Shim-Bearing, Front
22	72-3587	1	Shim-Bearing, Front
22	72-3588	1	Shim-Bearing, Front
22	72-3590	1	Shim-Bearing, Front
22	72-3591	1	Shim-Bearing, Front
22	72-3592	1	Shim-Bearing, Front
22	72-3593	1	Shim-Bearing, Front
22	72-3594	1	Shim-Bearing, Front
22	72-3595	1	Shim-Bearing, Front
22	72-3596	1	Shim-Bearing, Front
22	72-3597	1	Shim-Bearing, Front
22	72-3598	1	Shim-Bearing, Front
22	72-3600	1	Shim-Bearing, Front
23	254-91	1	Cone-Bearing
24	21-8390	1	Cup-Bearing
25	21-8020	1	Spacer-Bearing
26	93-3619	1	Upper Housing ASM
27	254-66	2	Cup-Bearing, Roller

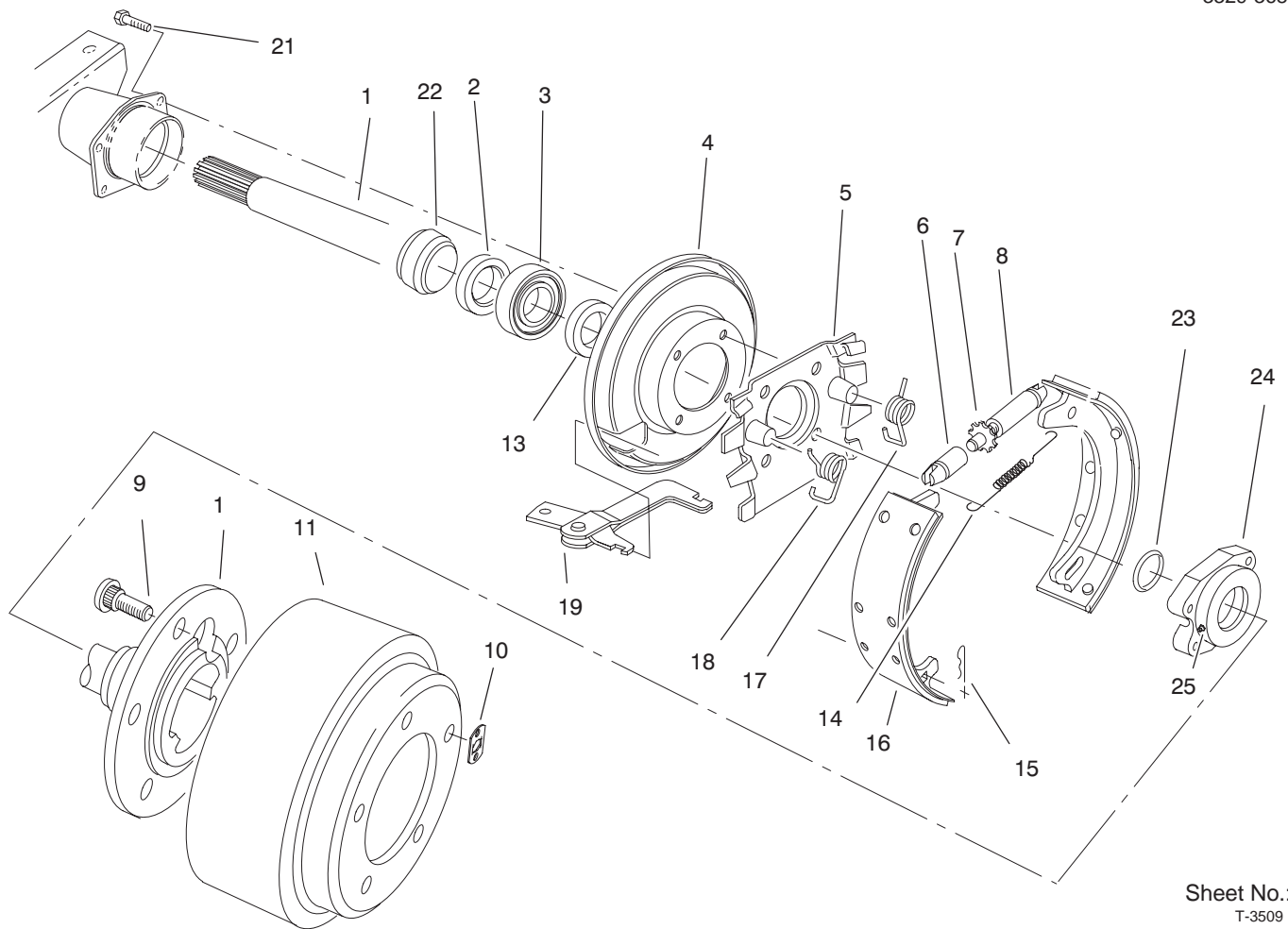


Sheet No.:1  
T-1315

## Axle Assembly No. 106-9212-03 (Continued)

Ref. No.	Part No.	Qty.	Description
28	254-65	2	Cone-Bearing, Roller
29	92-1773	4	Screw-HHF
30	21-7710	1	Pin-Roll
31	21-7700	1	Shaft-Mate, Pinion
32	21-7770	5	Screw-Gear , Drive
33	21-7670	1	Case-Dif ferential
34	100-3744-03	1	Lower Housing ASM
35	21-8120	1	Shim-Bearing, Diff. (.030)
36	21-8110	1	Shim-Bearing, Diff. (.010)
37	21-8100	1	Shim-Bearing, Diff. (.005)
38	21-8090	1	Shim-Bearing, Diff. (.003)
39	72-9420	1	Vent
40	83-4910	1	Coupler-Pinion
41	71-4330	1	Seal
42	93-3618	1	Gear And Pinion ASM
43	93-3617	1	Cover And Carrier Kit

Ref. No.	Part No.	Qty.	Description



Sheet No.:2  
T-3509

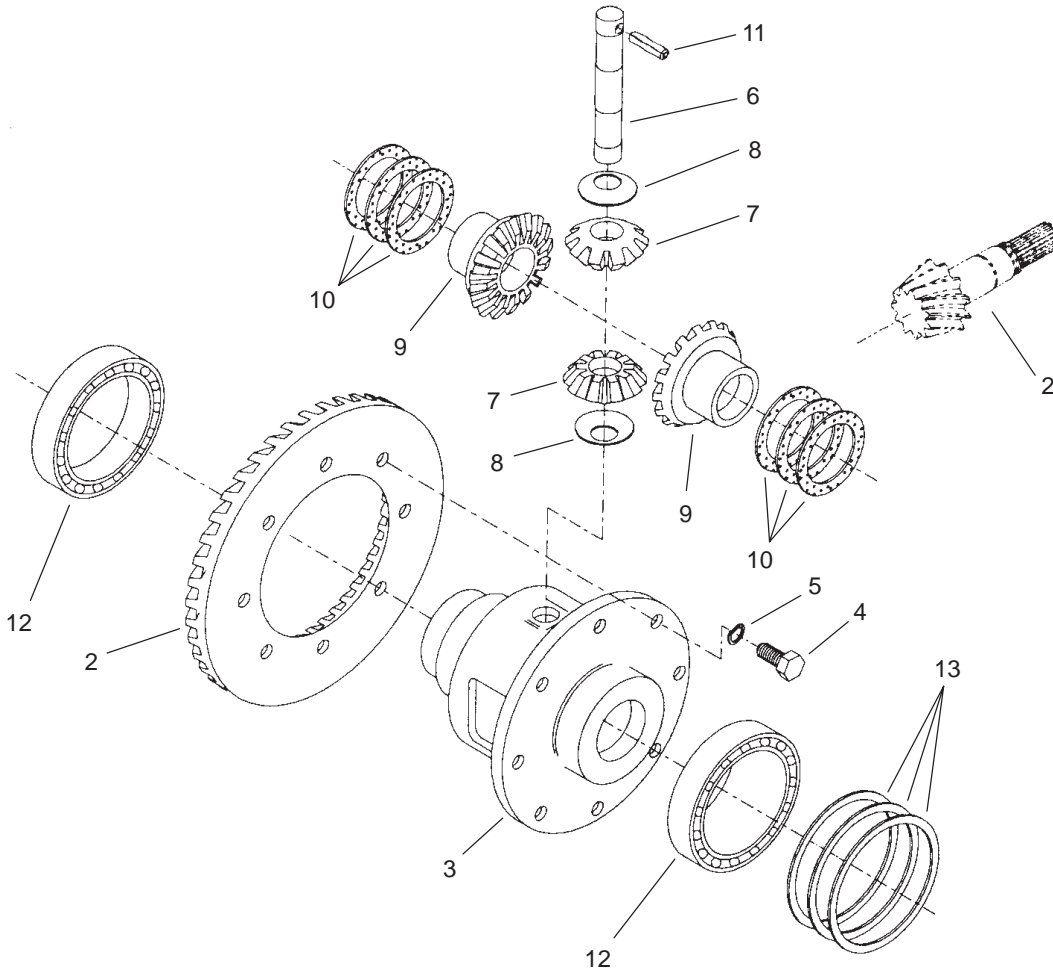
## Brake Assembly

Ref. No.	Part No.	Qty.	Description
1	100-3840	1	Shaft-Axle, LH
1	100-3841	1	Shaft-Axle, RH
2	100-3842	2	Seal-Oil
3	21-8180	2	Bearing ASM
4	100-3843	2	Shield-Dust
5	100-3844	2	Spider-Torque
6	21-9390	2	Socket-Screw , Adjusting
7	21-9370	2	Screw-Adjusting
8	21-9380	2	Nut-Pivot
9	106-9205	10	Stud-Wheel
10	21-8360	2	Locknut
11	106-9209-03	2	Drum-Brake
13	100-3845	2	Seal-Grease
14	21-9440	2	Spring-Screw , Adjusting
15	21-9460	4	Retainer-Lever , Brake
16	84-8590	4	Shoe And Lining ASM
17	21-9420	2	Spring-Return, LH
18	21-9430	2	Spring-Return, RH
19	24-9180	2	Strut And Lever ASM
21	100-3846	8	Screw-Special
22	100-3847	2	Retainer-Bearing
23	100-3848	2	O-Ring
24	100-3849	2	Cap-Bearing
25	100-3850	2	Zerk-Special

Ref. No.	Part No.	Qty.	Description
*26	84-8600	1	Set-Shoes, Lined
*27	92-8775	1	Liquid Gasket Kit

\* Not illustrated





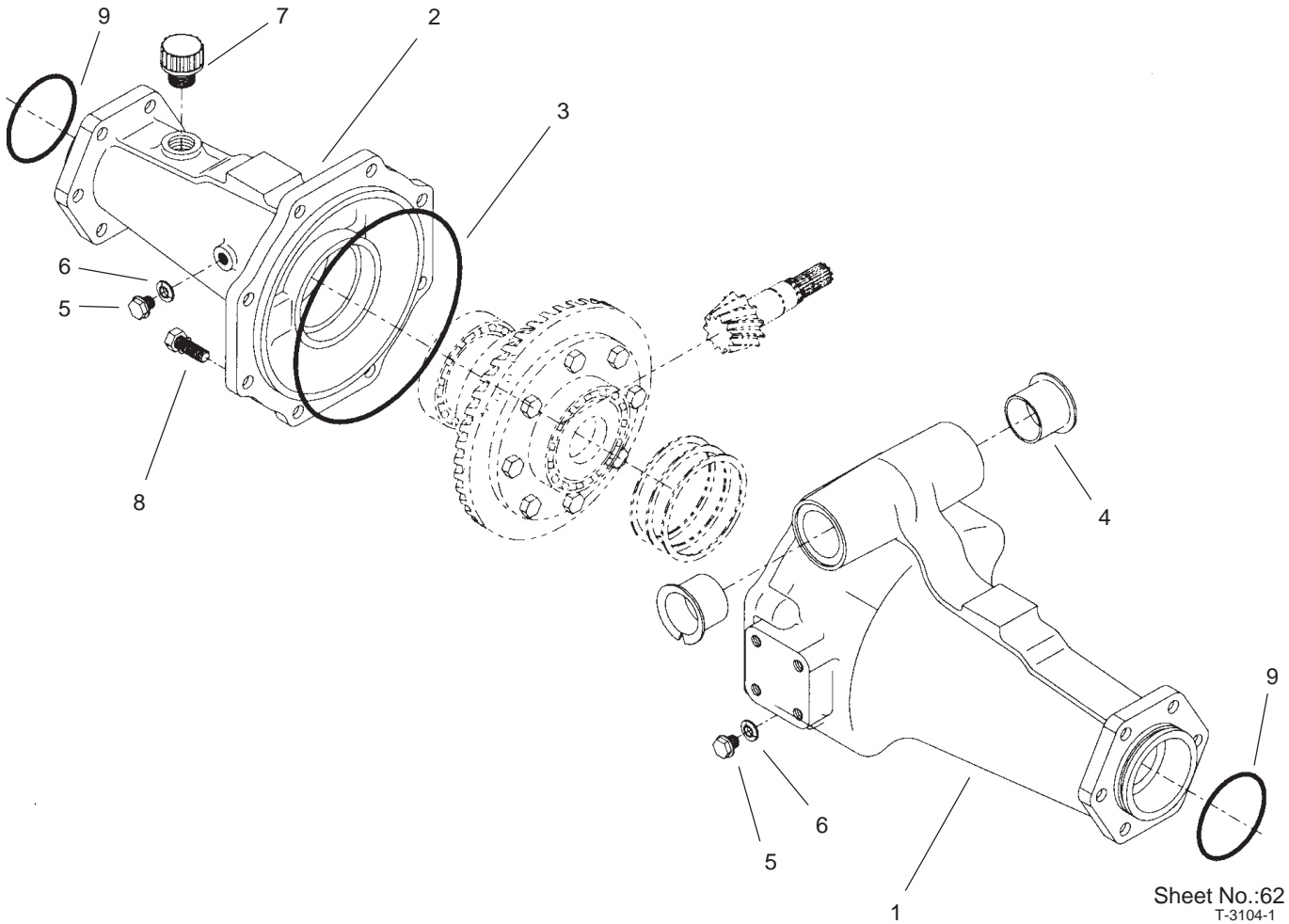
Sheet No.:61  
T-3103-2

## Rear Axle Assembly No. 98-3925 (Continued) Differential Assembly No. 95-7503

Ref. No.	Part No.	Qty.	Description	Ref. No.	Part No.	Qty.	Description
*1	95-7503	1	Differential ASM				
2	100-2555	1	Ring And Pinion Matched Set				
3	95-7502	1	Case-Dif ferential				
4	99-7576	8	Bolt				
5	99-7577	8	Washer-Spring				
6	99-7578	1	Shaft-Dif ferential				
7	99-7579	2	Pinion-Dif ferential				
8	99-7580	2	Washer-Dif ferential				
9	99-7581	2	Gear-Dif ferential				
10	99-7582	2	Washer-Dif ferential				
10	99-7583	2	Washer-Dif ferential				
10	99-7584	2	Washer-Dif ferential				
11	99-7588	1	Pin-Spring				
12	99-7562	2	Bearing-Ball				
13	99-7585	2	Shim 0.1				
13	99-7586	2	Shim 0.2				
13	99-7587	2	Shim 0.4				

\* Not illustrated

3329-368



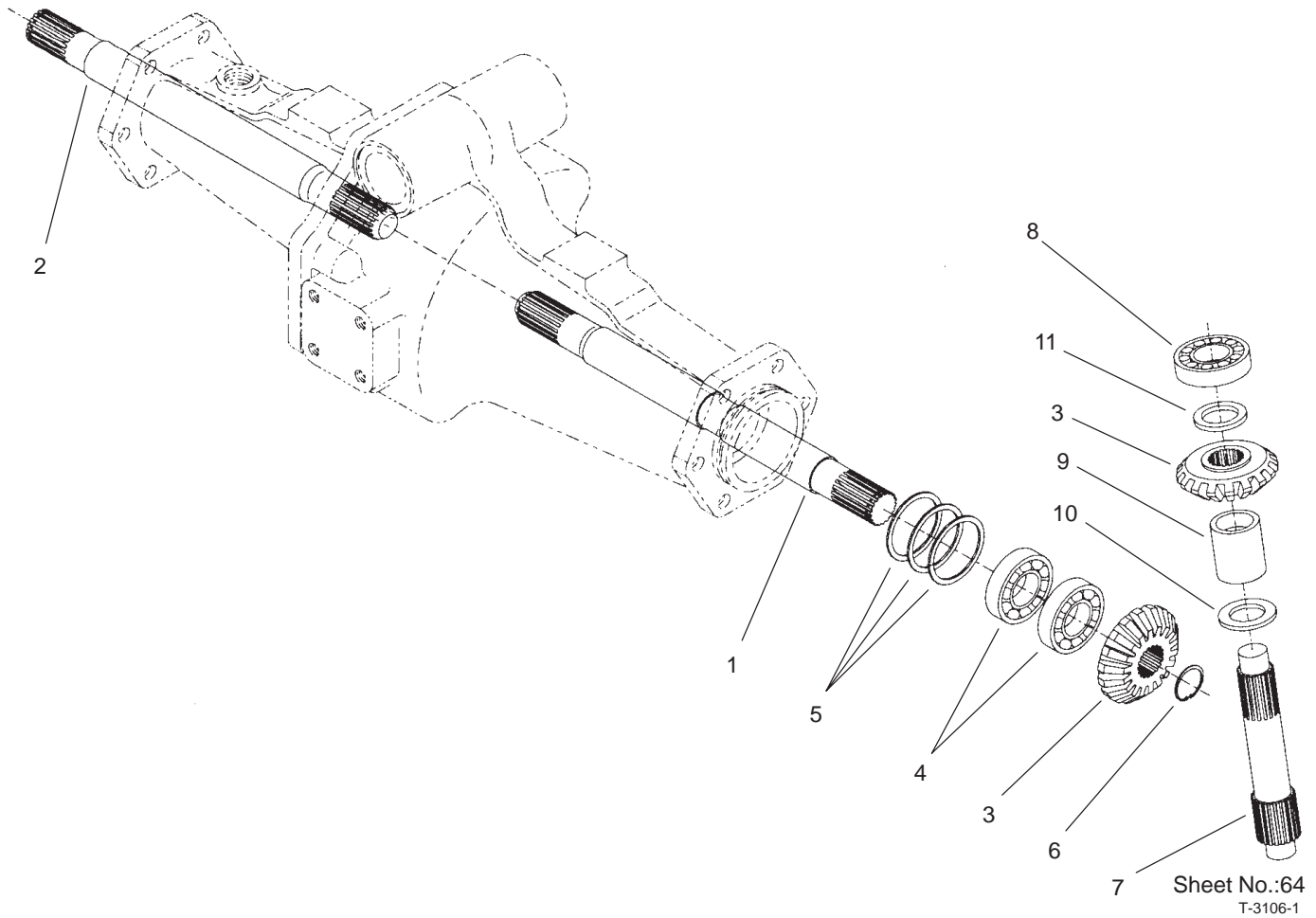
Sheet No.:62  
T-3104-1

## Rear Axle Assembly No. 98-3925 (Continued) Axle Support Assembly

Ref. No.	Part No.	Qty.	Description
1	95-7508	1	Support-Axle
2	95-7506	1	Support-Axle
3	95-7507	1	O-Ring
4	95-7537	2	Bushing-Flanged
5	99-7589	2	Plug
6	99-7590	2	Washer-Seal
7	99-7591	1	Oil Plug ASM
8	99-7592	8	Bolt
9	99-7593	2	O-Ring

Ref. No.	Part No.	Qty.	Description



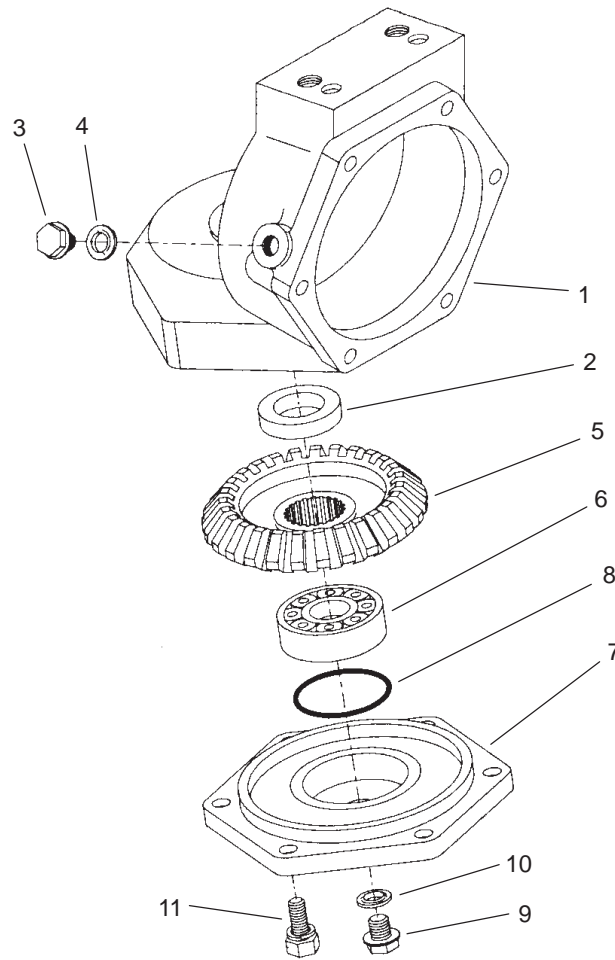


Sheet No.:64  
T-3106-1

## Rear Axle Assembly No. 98-3925 (Continued) Bevel Gear Shaft Assembly

Ref. No.	Part No.	Qty.	Description
1	99-7509	1	Shaft-Dif ferential, LH Gear
2	99-7512	1	Shaft-Dif ferential, RH Gear
3	95-7518	4	Gear-18 Bevel
4	99-7530	4	Bearing-Ball
5	99-7552	2	Shim 0.1
5	99-7553	2	Shim 0.2
5	99-7554	2	Shim 0.5
6	99-7531	2	Clip
7	95-7530	2	Shaft-Gear , Bevel
8	99-7532	2	Bearing-Roller , Taper
9	95-7543	2	Spacer
10	99-7533	2	Collar-Thrust
11	99-7558	2	Collar

Ref. No.	Part No.	Qty.	Description



Sheet No.:65

T-3107-1

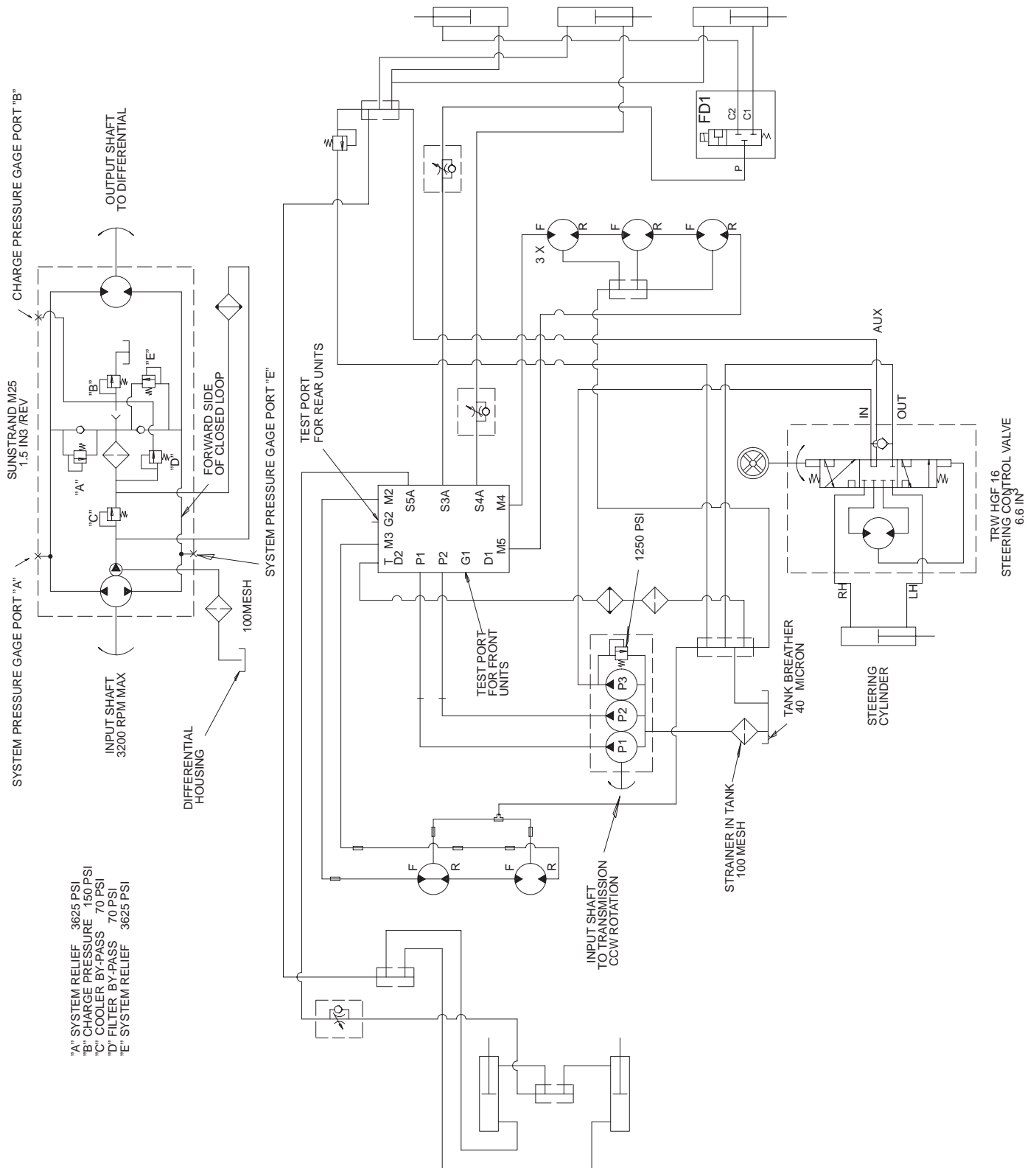
## Rear Axle Assembly No. 98-3925 (Continued) Axle Case Assembly

Ref. No.	Part No.	Qty.	Description
1	95-7532	2	Case-Axle
2	99-7594	2	Seal-Oil
3	99-7535	2	Plug
4	99-7536	2	Washer-Seal
5	95-7528	2	Gear-Bevel, 27 Tooth
6	99-7532	2	Bearing-Roller, Taper
7	95-7526	2	Cover-Axle
8	99-7537	2	O-Ring
9	99-7589	2	Plug
10	99-7590	2	Washer-Seal
11	99-7596	12	Bolt

Ref. No.	Part No.	Qty.	Description

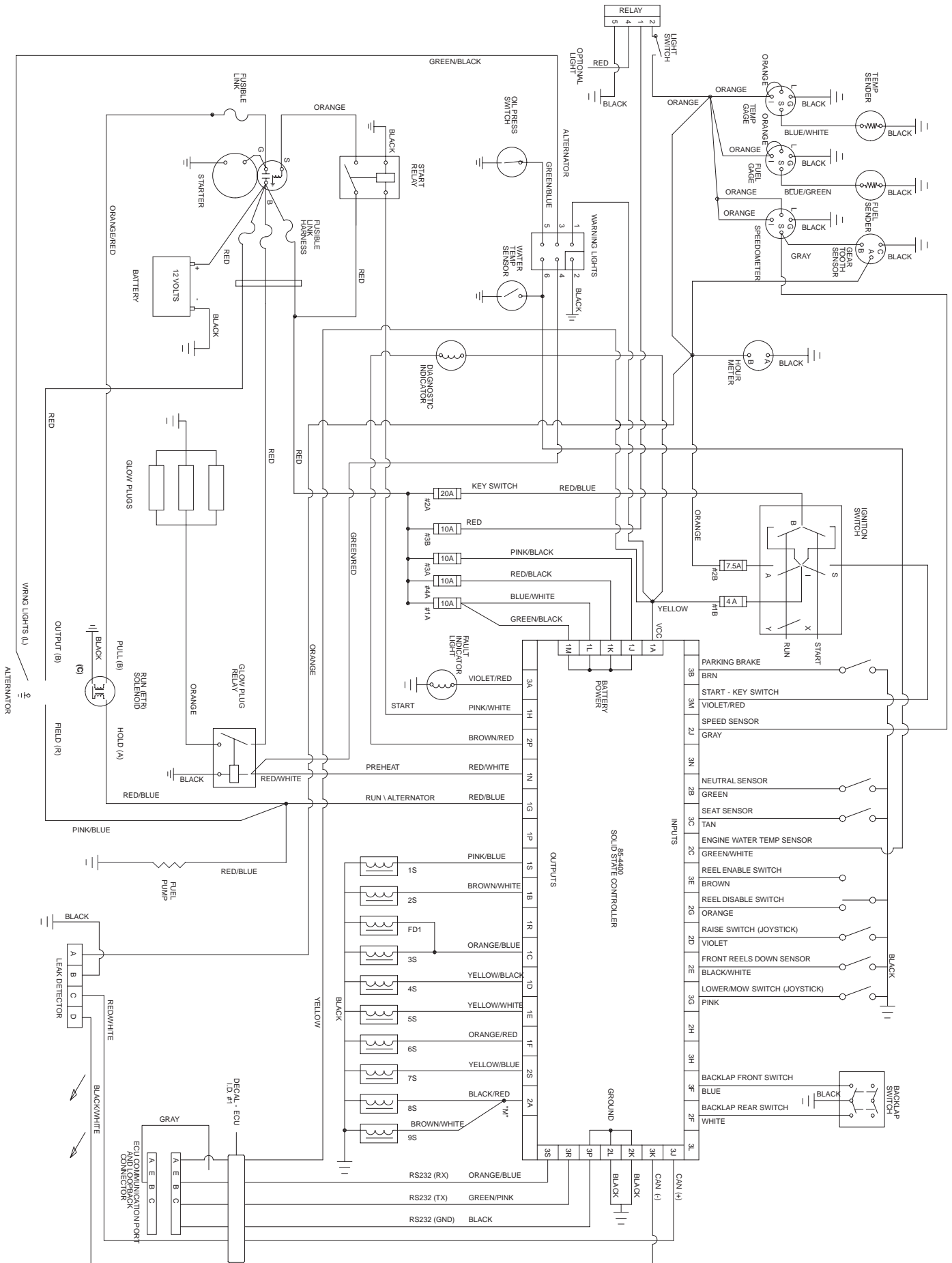


# Hydraulic Schematic



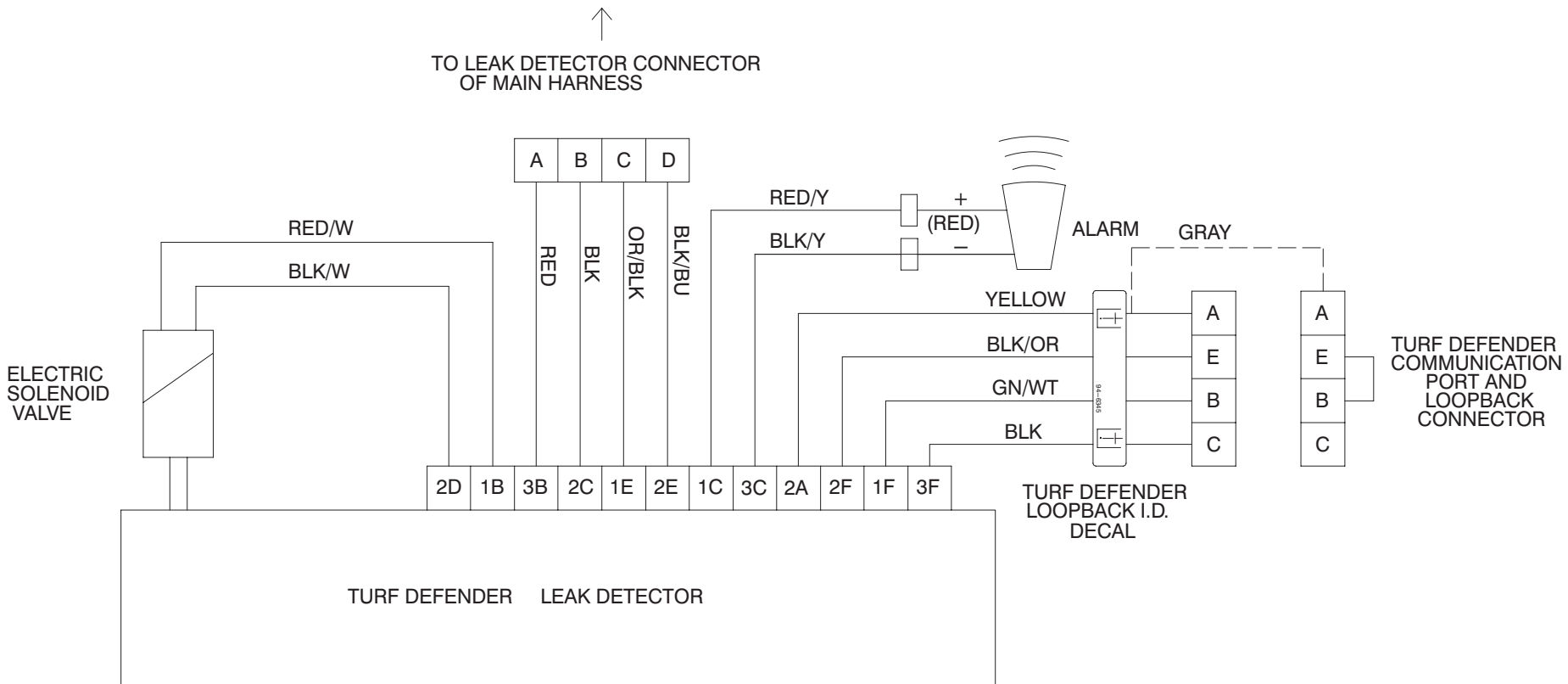
- "A" SYSTEM RELIEF 3625 PSI
- "B" CHARGE PRESSURE 150 PSI
- "C" COOLER BY-PASS 70 PSI
- "D" FILTER BY-PASS 70 PSI
- "E" SYSTEM RELIEF 3625 PSI

# Electrical Schematic



# Electrical Schematic - Turfdefender

3329-368

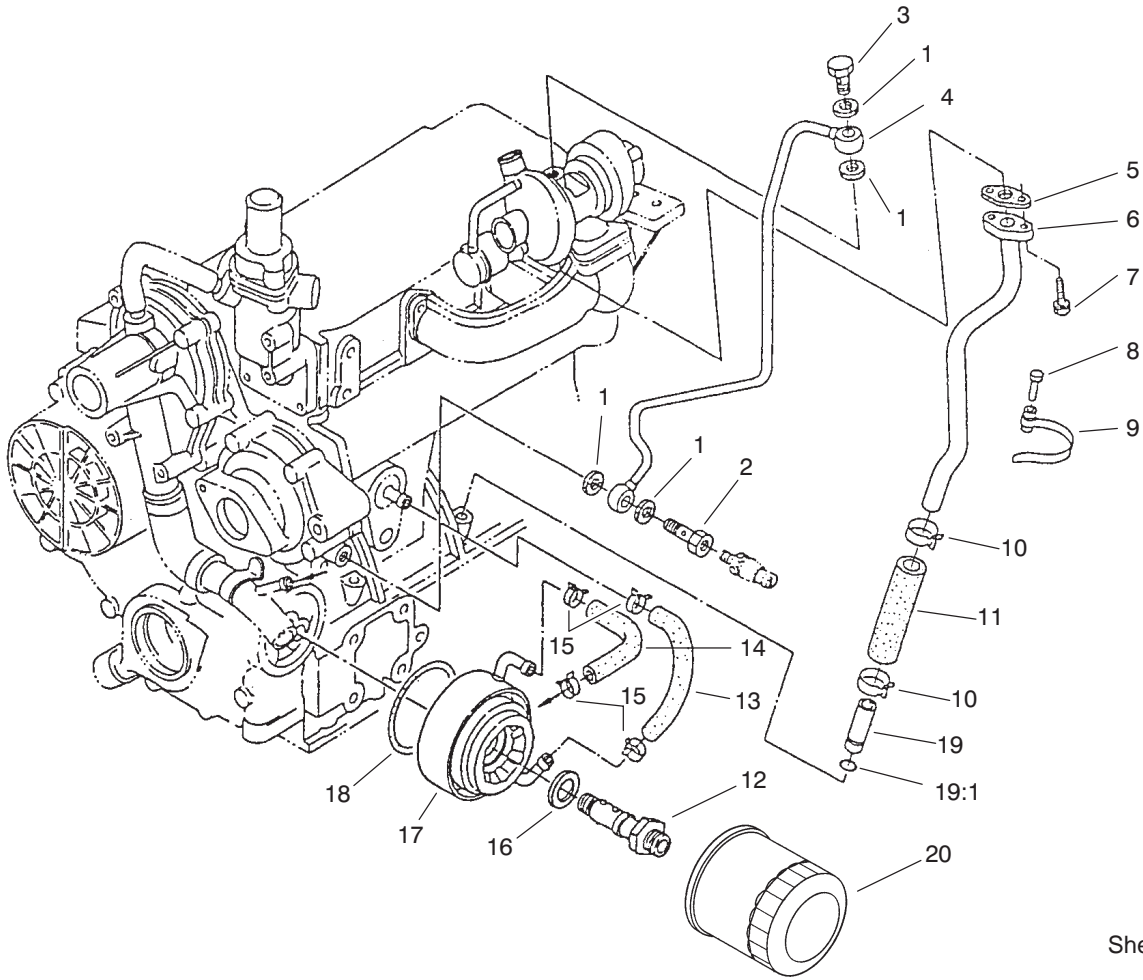










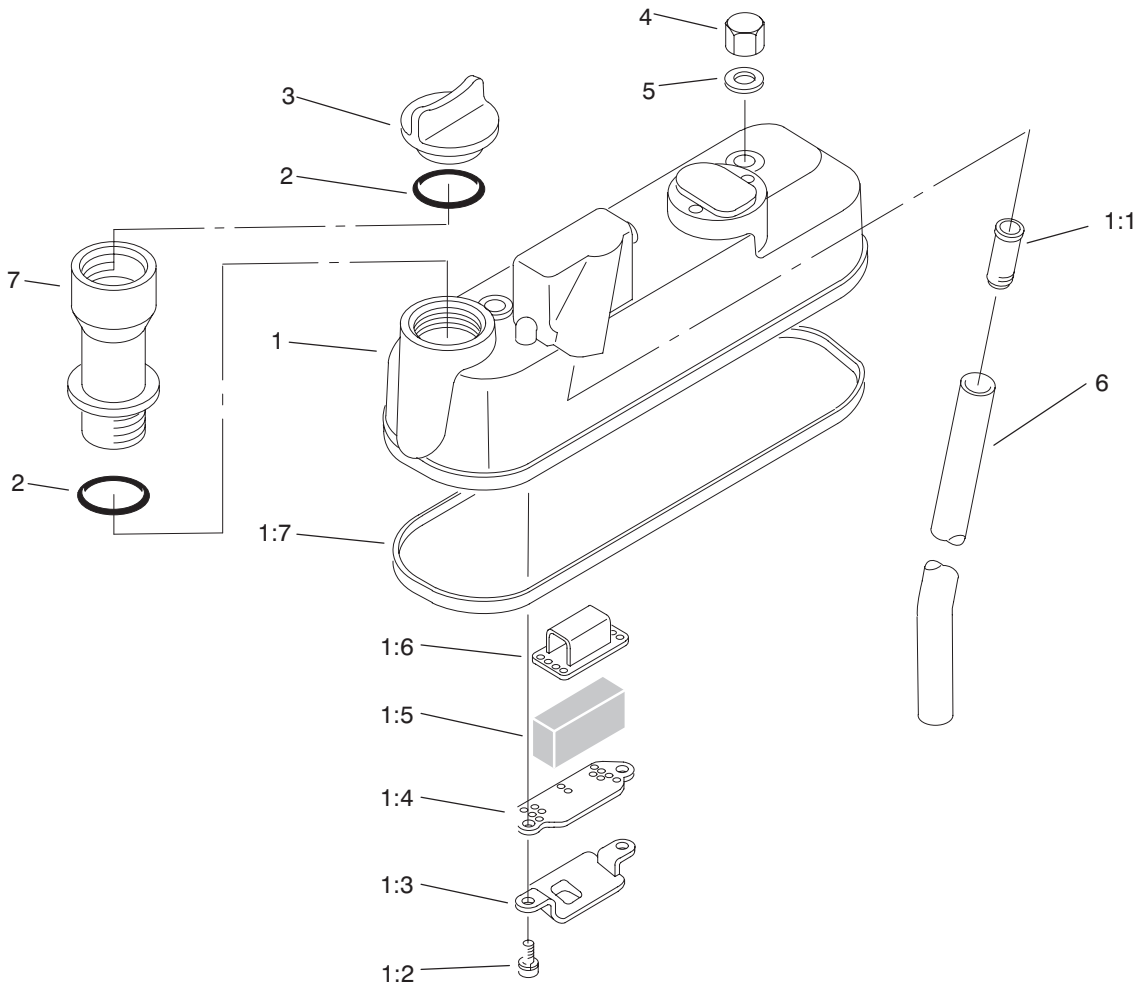


Sheet No.:67  
T-3079-1

## Filter, Oil Cooler and Pipe Assembly

Ref. No.	Part No.	Qty.	Description
1	99-8346	4	Gasket
2	98-9417	1	Bolt-Joint, Eye
3	98-9418	1	Bolt-Joint, Eye
4	98-9419	1	Oil Pipe ASM
5	98-9435	1	Gasket-Oil Return, Turbo
6	98-9461	1	Pipe Line ASM
7	98-7568	2	Bolt
8	98-9591	1	Pin-Band
9	98-9601	1	Clamp-Pipe
10	98-9714	2	Clamp-Hose
11	98-9721	1	Pipe-Oil
12	104-5159	1	Holder ASM
13	98-9724	1	Pipe-Cooler, Oil
14	98-9578	1	Pipe-Return, Water
15	98-9579	4	Band-Pipe
16	98-9727	1	Collar
17	104-5158	1	Oil Cooler ASM
18	98-9729	1	O-Ring
19	99-8383	1	Oil Pipe ASM
19:1	98-9722	1	O-Ring
20	99-8384	1	Filter-Oil

Ref. No.	Part No.	Qty.	Description

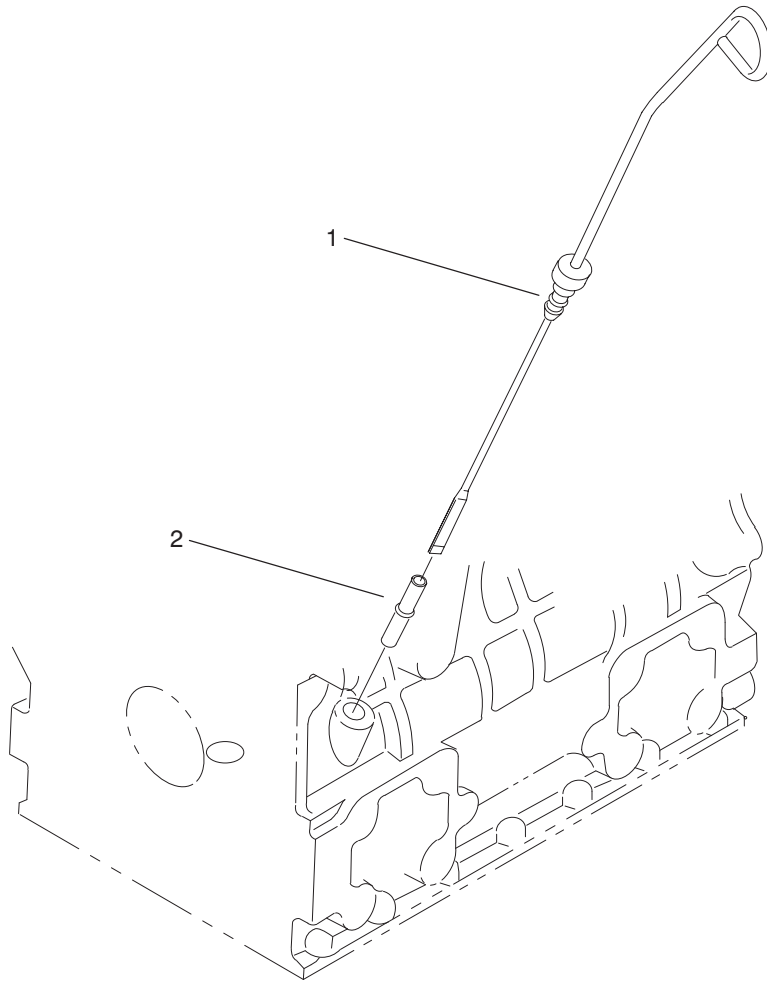


Sheet No.:68

## Head Cover Assembly

Ref. No.	Part No.	Qty.	Description
1	98-9614	1	Cylinder Head Cover ASM
1:1	98-9492	1	Joint-Pipe, Breather
1:2	98-9364	2	Screw-W/W washer
1:3	98-9490	1	Shield-Oil, Breather
1:4	98-9488	1	Plate-Element, Breather
1:5	98-9493	1	Element-Breather
1:6	98-9489	1	Plate-Element, Breather
1:7	98-9615	1	Gasket-Cover, Head
2	98-7430	2	O-Ring
3	98-9449	1	Plug-Filler, Oil
4	98-9455	3	Nut-Cap
5	98-9454	3	Gasket
6	98-9491	1	Pipe-Breather
7	99-8349	1	Extension-Fill, Oil

Ref. No.	Part No.	Qty.	Description

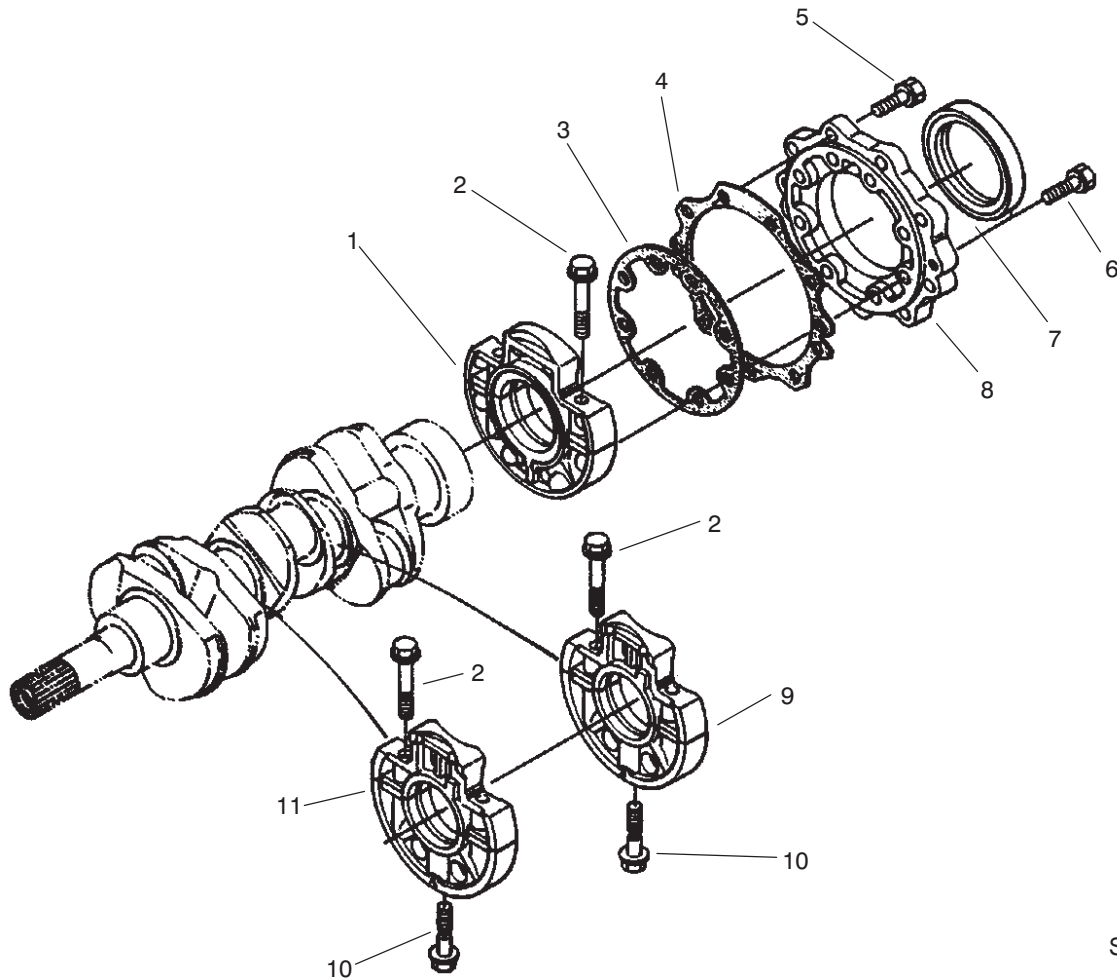


Sheet No.:69

### Dipstick and Guide Assembly

Ref. No.	Part No.	Qty.	Description
1	104-9348	1	Gauge-Oil
2	104-9349	1	Guide-Gauge, Oil

Ref. No.	Part No.	Qty.	Description
----------	----------	------	-------------



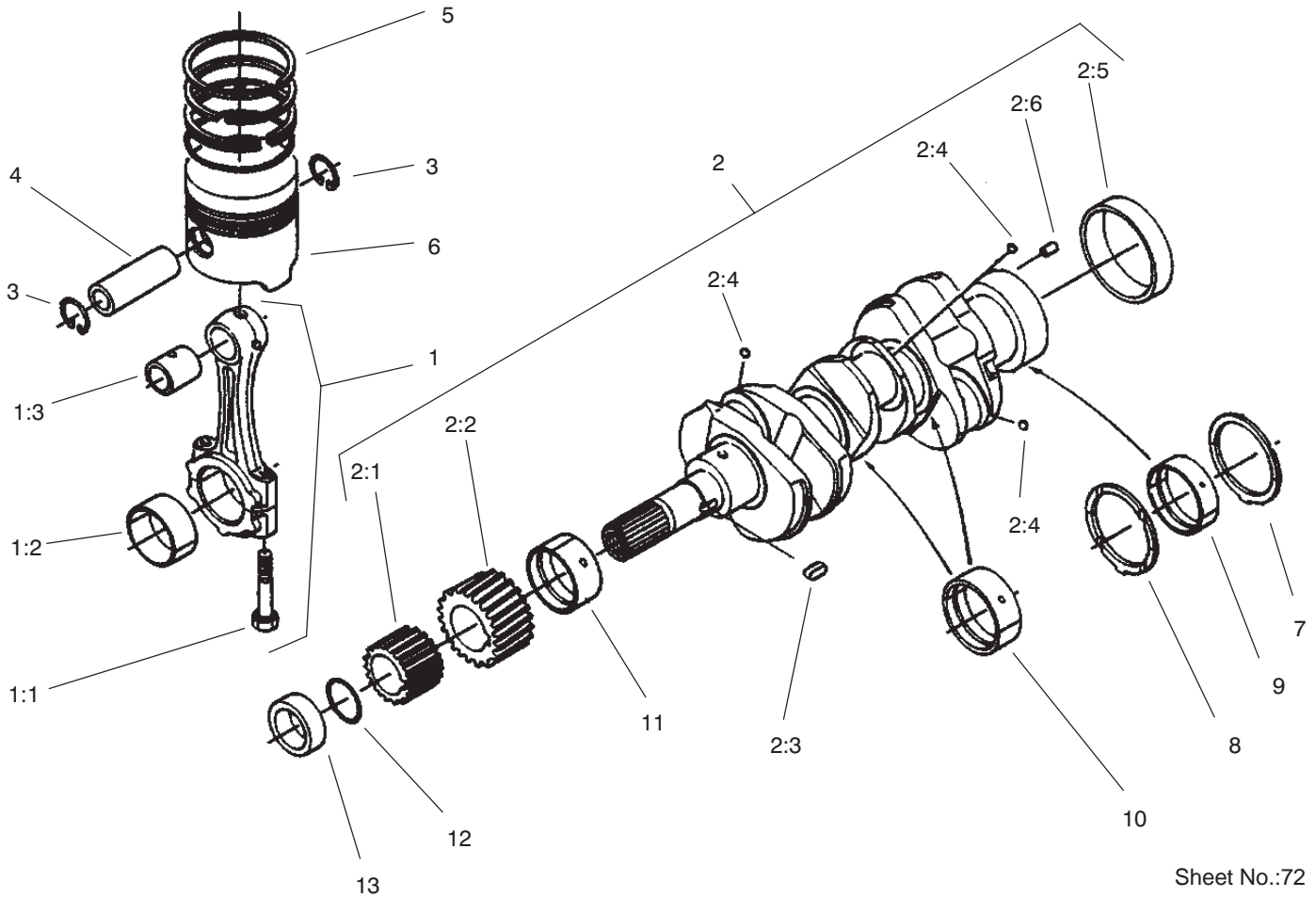
Sheet No.:70

## Main Bearing Case Assembly

Ref. No.	Part No.	Qty.	Description
1	98-9480	1	Main Bearing Case ASM
2	98-9484	6	Bolt-Case, Bearing
3	98-9634	1	Gasket-Case, Bearing
4	98-9635	1	Gasket-Cover, Bearing Case
5	98-7568	9	Bolt
6	98-9352	8	Bolt
7	98-9483	1	Seal-Oil
8	98-9487	1	Cover-Case, Bearing
9	99-8360	1	Case-Bearing, Main
10	98-9485	2	Bolt-Case, Bearing
11	99-8361	1	Case-Bearing, Main

Ref. No.	Part No.	Qty.	Description



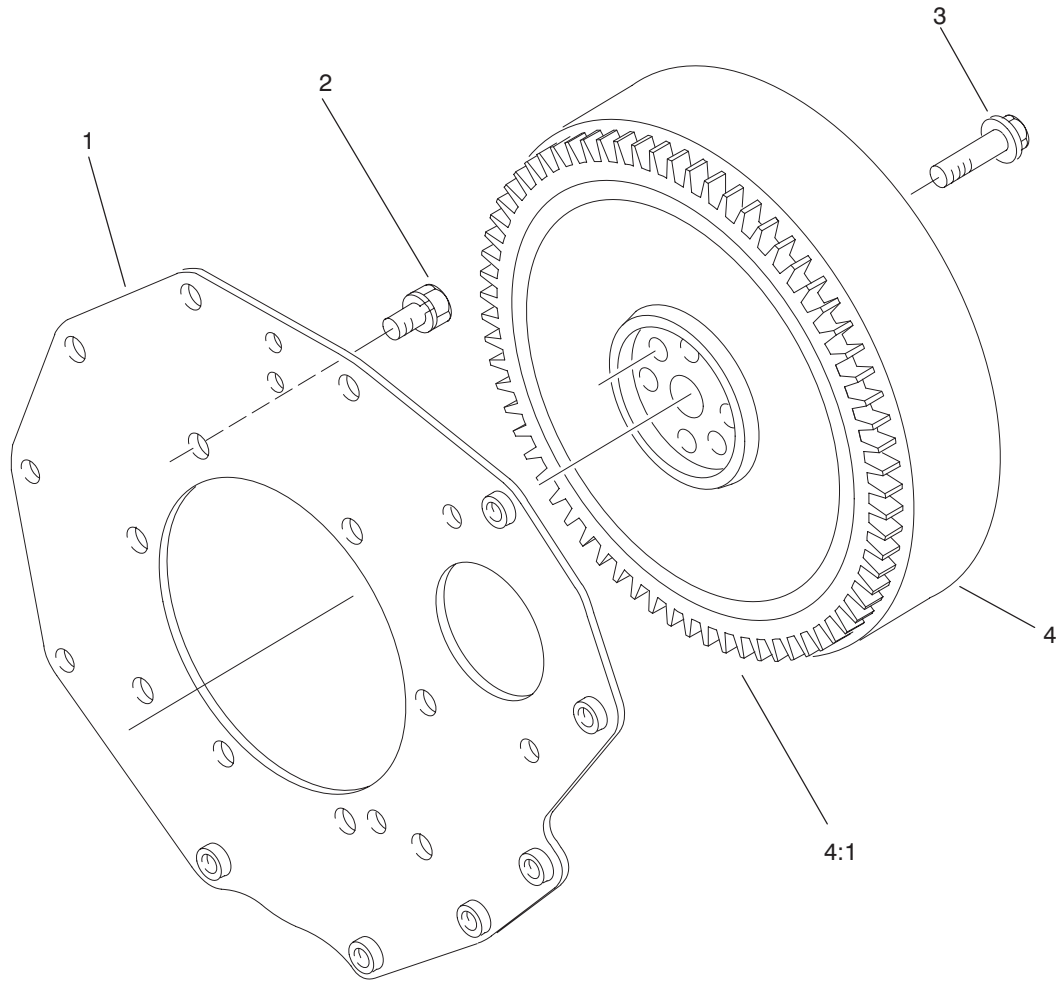


Sheet No.:72

## Piston and Crankshaft Assembly

Ref. No.	Part No.	Qty.	Description
1	98-9552	3	Connecting Rod ASM
1:1	98-9517	6	Bolt-Rod, Connecting
1:2	98-9519	3	Bearing-Rod (0.2mm)
1:2	98-9520	3	Bearing-Rod (0.4mm)
1:2	98-9553	3	Bearing-Rod (STD)
1:3	98-9515	3	Bushing-Pin, Piston
2	98-9642	1	Crankshaft ASM
2:1	98-9542	1	Gear-Drive, Oil Pump
2:2	98-9532	1	Gear-Crankshaft
2:3	98-9666	1	Key
2:4	98-7473	3	Ball
2:5	98-9522	1	Sleeve-Crankshaft
2:6	98-9375	1	Pin-Straight
3	98-9514	6	Clip-Circular, Piston Pin
4	98-9513	3	Pin-Piston
5	98-9619	3	Piston Ring ASM (0.5mm)
5	98-9551	3	Piston Ring ASM (STD)
6	98-9550	3	Piston (STD)
6	98-9470	3	Piston (0.5mm)
7	98-9413	2	Bearing-Thrust (STD)
7	98-9414	2	Bearing-Thrust (0.2mm)

Ref. No.	Part No.	Qty.	Description
7	98-9415	2	Bearing-Thrust (0.4mm)
8	98-9688	2	Bearing-Thrust (STD)
8	98-9689	2	Bearing-Thrust (0.2mm)
8	98-9690	2	Bearing-Thrust (0.4mm)
9	98-9526	1	Bearing-Main (0.2mm)
9	98-9527	1	Bearing-Main (0.4mm)
9	98-9556	1	Bearing-Main (STD)
10	98-9530	2	Bearing-Main (0.2mm)
10	98-9531	2	Bearing-Main (0.4mm)
10	98-9555	2	Bearing-Main (STD)
11	98-9528	1	Bearing-Main (0.2mm)
11	98-9529	1	Bearing-Main (0.4mm)
11	98-9554	1	Bearing-Main (STD)
12	98-9373	1	O-Ring
13	98-9521	1	Collar-Crankshaft



Sheet No.:73  
T-2915

### Flywheel Assembly

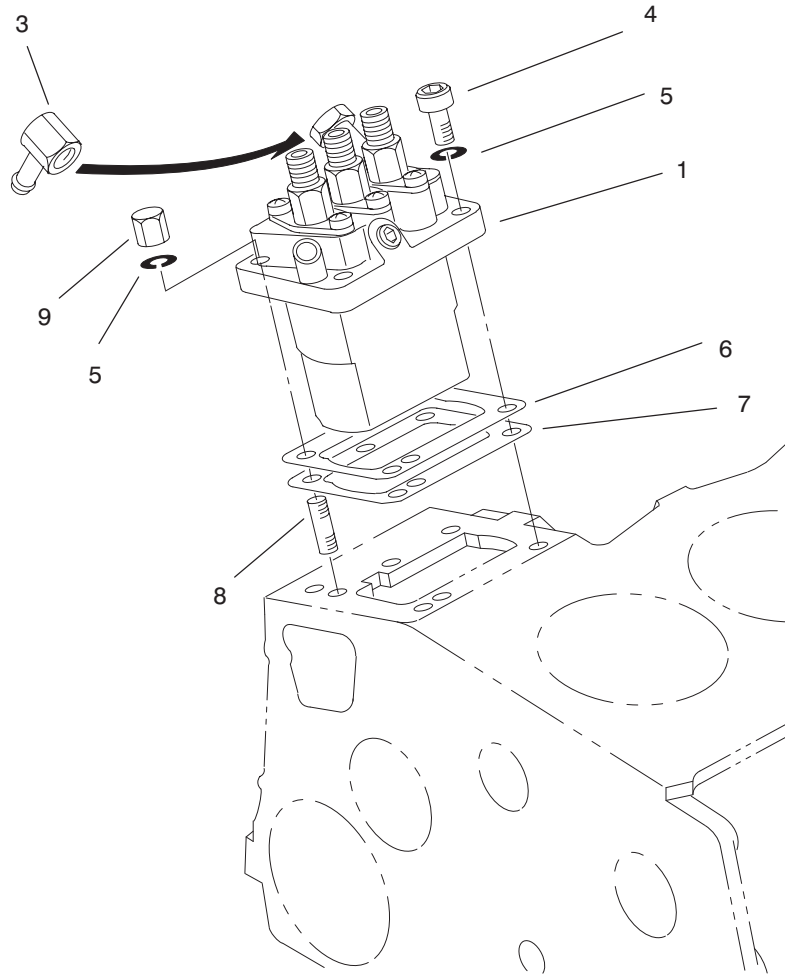
Ref. No.	Part No.	Qty.	Description
1	98-9486	1	Plate-End, Rear
2	98-9392	8	Bolt
3	98-9537	6	Bolt-Flywheel
4	98-9691	1	Flywheel ASM
4:1	98-9394	1	Gear-Ring

Ref. No.	Part No.	Qty.	Description







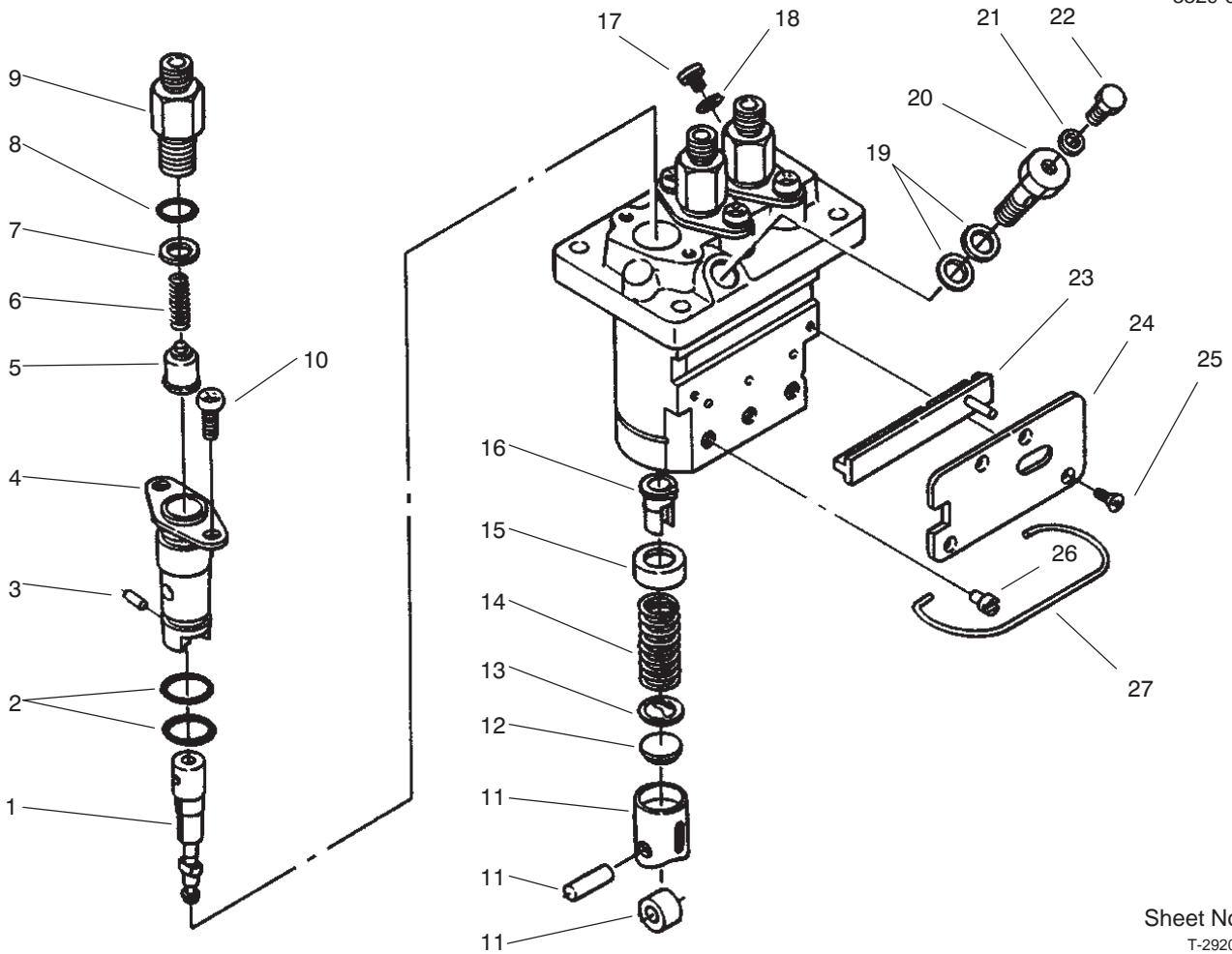


Sheet No.:77

### Injection Pump Assembly

Ref. No.	Part No.	Qty.	Description
1	98-9643	1	Injection Pump ASM
3	98-9596	1	Joint-Eye
4	98-9361	2	Bolt-HSH
5	98-9367	4	Washer-Spring
6	98-9456	1	Shim (0.2mm)
6	98-9457	1	Shim-Injection (0.25mm)
7	98-9458	1	Shim-Injection (0.30mm)
8	98-9438	2	Stud
9	98-9440	2	Nut-Cap

Ref. No.	Part No.	Qty.	Description

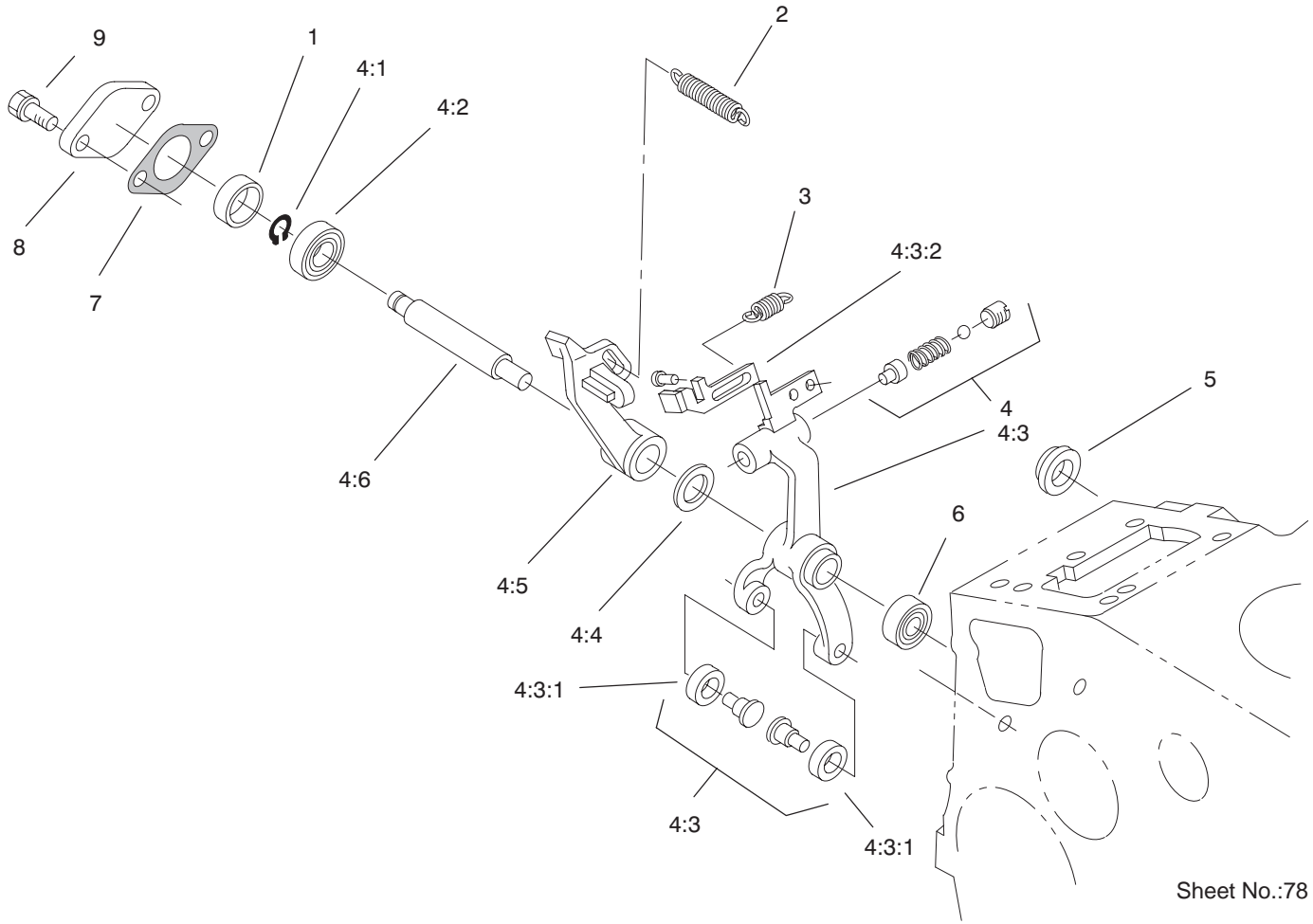


Sheet No.:A1  
T-2920

## Injection Pump Assembly No. 98-9643

Ref. No.	Part No.	Qty.	Description
1	98-9462	3	Element-Pump
2	98-9423	6	O-Ring
3	98-9443	3	Pin-Joint
4	98-9434	3	Flange-Sleeve
5	98-9421	3	Valve-Delivery
6	98-9424	3	Spring-V valve, Delivery
7	98-9425	3	Gasket-V valve, Delivery
8	98-9447	3	O-Ring
9	98-9652	3	Holder-V valve, Delivery
10	98-9452	6	Screw
11	98-9422	3	Tappet ASM
12	98-9433	3	Shim
13	98-9429	3	Seat-Spring, Lower
14	98-9428	3	Spring-Plunger
15	98-9427	3	Seat-Spring, Upper
16	98-9432	3	Sleeve-Control
17	98-9466	1	Plug
18	98-9451	1	Gasket
19	98-9445	1	Gasket
20	98-9464	1	Bolt-Joint
21	98-9446	1	Gasket
22	98-9430	1	Screw
23	98-9463	1	Control-Rack
24	98-9465	1	Plate
25	98-9442	4	Screw

Ref. No.	Part No.	Qty.	Description
26	98-9426	3	Pin-Guide, Tappet
27	98-9450	1	Pin-Clamp



Sheet No.:78

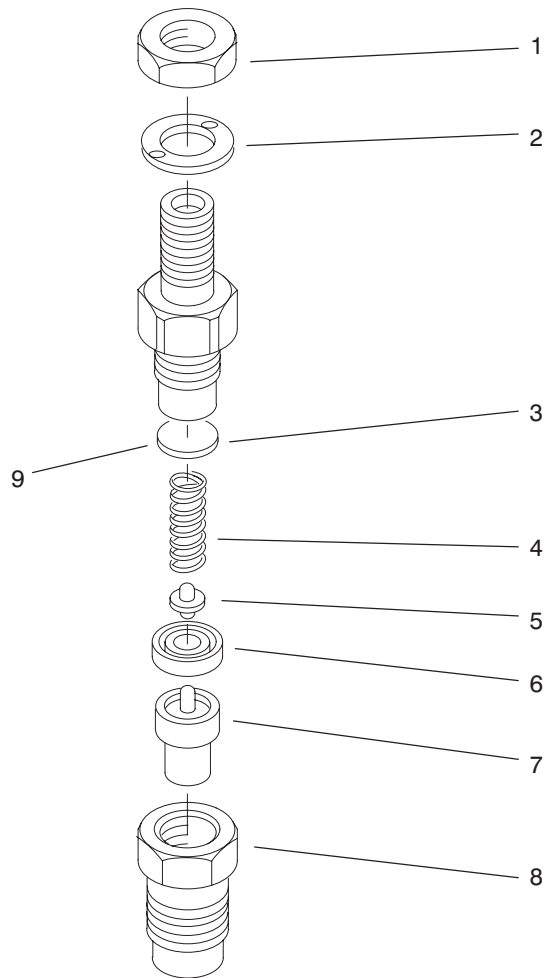
## Governor Assembly

Ref. No.	Part No.	Qty.	Description
1	98-9567	1	Collar
2	98-9681	1	Spring-Governor
3	98-9645	1	Spring-Start
4	98-9680	1	Fork Lever ASM
4:1	98-9369	1	Clip-Circular , External
4:2	98-9570	1	Bearing-Miniaturize
4:3	99-8380	1	Fork Lever ASM
4:3:1	98-9692	2	Roller
4:3:2	98-9660	1	Lever-Thrust
4:4	98-9593	1	Washer-Plain
4:5	98-9659	1	Lever-Fork
4:6	98-9566	1	Shaft-Lever , Fork
5	98-9568	1	Collar
6	98-9571	1	Bearing-Miniaturize
7	98-9682	1	Gasket
8	98-9569	1	Cover-Shaft, Fork Lever
9	98-9351	2	Bolt

Ref. No.	Part No.	Qty.	Description







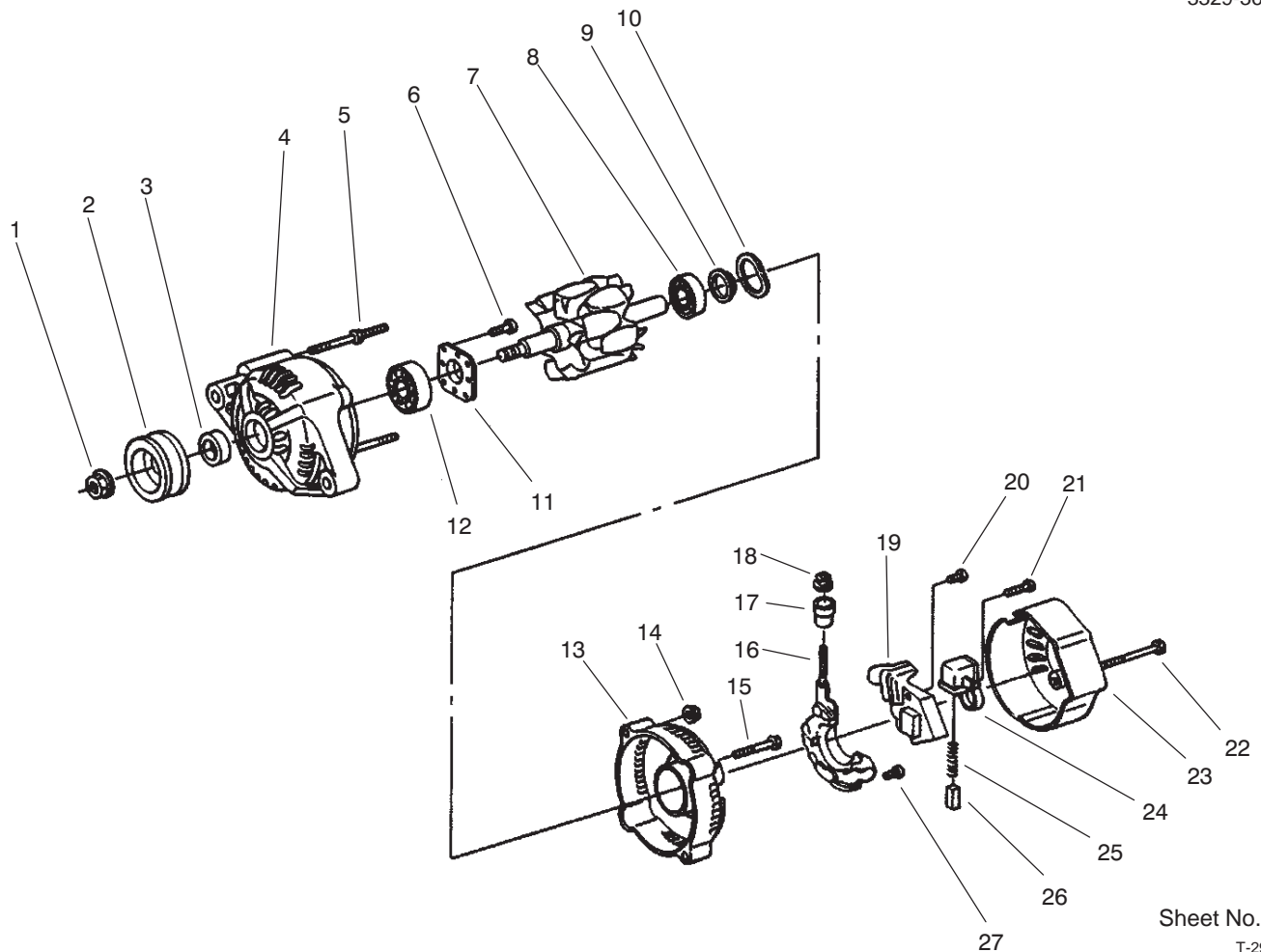
Sheet No.:A2

## Nozzle Holder Assembly 98-9468

Ref. No.	Part No.	Qty.	Description
1	99-8301	3	Nut
2	99-8307	3	Washer-Plain
3	99-8302	3	Washer-Adjusting
4	99-8303	3	Spring-Nozzle
5	99-8305	3	Rod-Push
6	99-8304	3	Spacer-Distance
7	99-8308	3	Piece-Nozzle
8	99-8306	3	Nut-Nozzle
9	99-8317	3	Washer-Adjust (0.56mm)
9	99-8318	3	Washer-Adjust (0.58mm)
9	99-8319	3	Washer-Adjust (0.80mm)
9	99-8310	3	Washer-Adjust (0.10mm)
9	99-8309	3	Adjusting Washer ASM
9	99-8316	3	Washer-Adjust (0.54mm)
9	99-8315	3	Washer-Adjust (0.52mm)
9	99-8314	3	Washer-Adjust (0.50mm)
9	99-8313	3	Washer-Adjust (0.40mm)

Ref. No.	Part No.	Qty.	Description
9	99-8312	3	Washer-Adjust (0.30mm)
9	99-8311	3	Washer-Adjust (0.20mm)



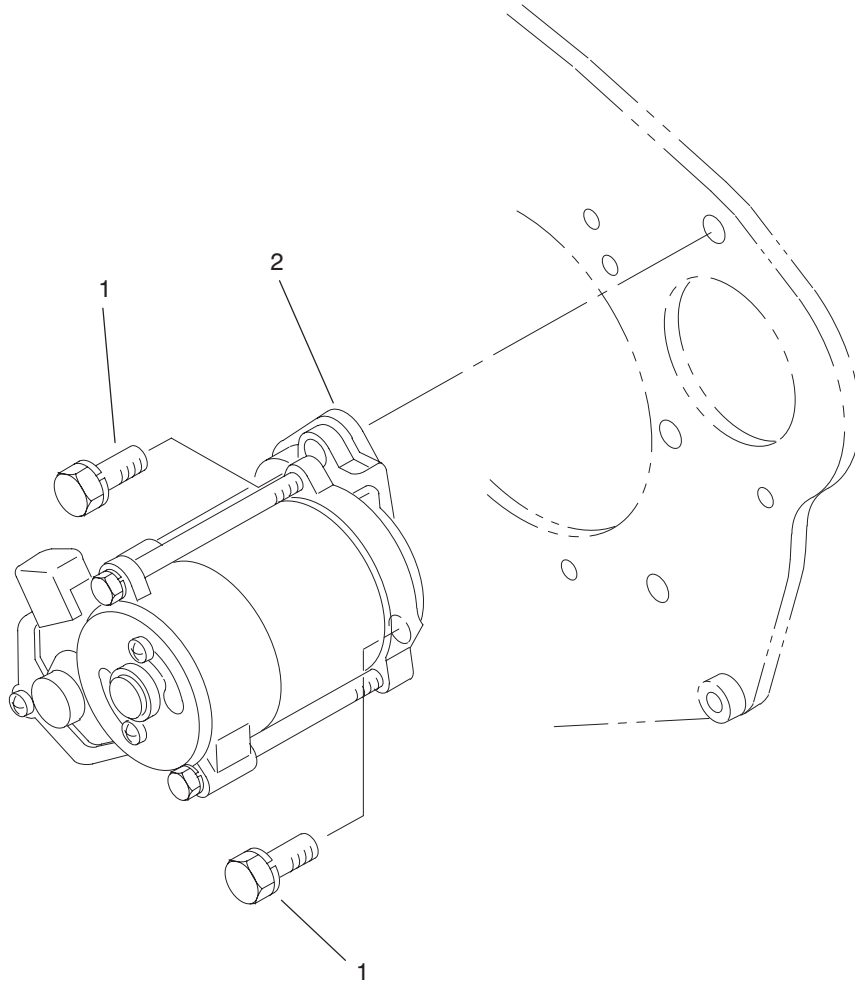


Sheet No.:A3  
T-2927

## Alternator Assembly No. 98-9474

Ref. No.	Part No.	Qty.	Description
1	98-7708	1	Nut
2	98-9453	1	Pulley-Dynamo
3	98-7709	1	Collar
4	98-7714	1	Frame-End, Drive
5	98-7717	2	Bolt-Through
6	98-7716	4	Screw-Head, Round
7	98-7710	1	Rotor
8	98-7712	1	Bearing-Ball
9	98-7711	1	Cover-Bearing
10	98-7713	1	Washer-Thrust
11	98-7715	1	Plate-Retainer
12	98-7718	1	Bearing-Ball
13	98-7719	1	Frame-End
14	98-7730	2	Nut
15	98-7731	2	Bolt
16	98-7721	1	Rectifier ASM
17	98-7722	1	Bushing-Insulation
18	98-7732	1	Nut
19	98-7733	1	Regulator ASM
20	98-7726	2	Screw-Head, Round
21	98-7728	1	Screw-Head, Round
22	98-7729	3	Bolt
23	98-7720	1	Cover-End
24	98-7723	1	Holder-Brush
25	98-7725	2	Spring-Brush

Ref. No.	Part No.	Qty.	Description
26	98-7724	2	Brush
27	98-7727	6	Screw-Head, Round

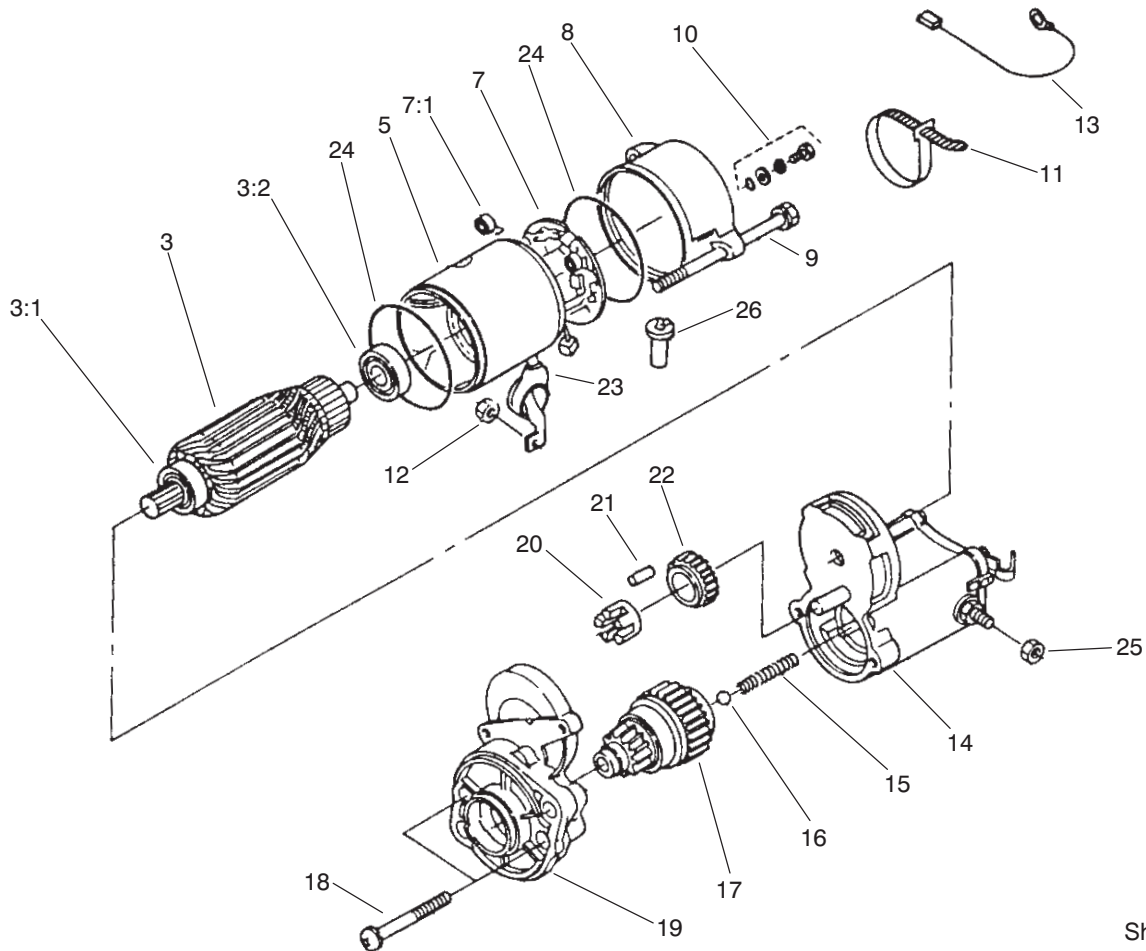


Sheet No.:82  
T-2928

### Starter Mount Assembly

Ref. No.	Part No.	Qty.	Description
1	98-7697	2	Bolt
2	98-9705	1	Starter ASM

Ref. No.	Part No.	Qty.	Description

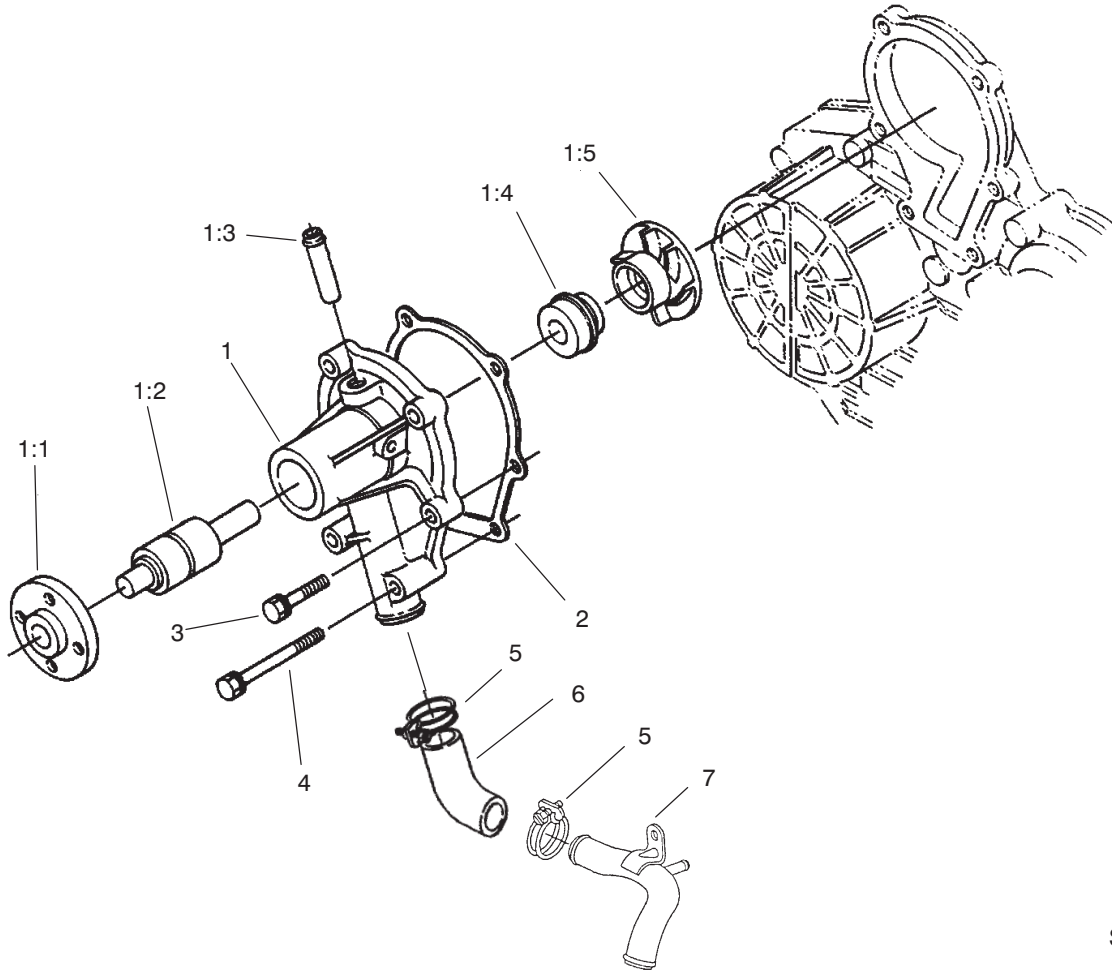


Sheet No.:A4

## Starter Assembly No. 98-9705

Ref. No.	Part No.	Qty.	Description	Ref. No.	Part No.	Qty.	Description
3	98-7742	1	Armature ASM				
3:1	98-7743	1	Bearing				
3:2	98-7744	1	Bearing				
5	98-7741	1	Yoke ASM				
7	98-7749	1	Brush Holder ASM				
7:1	98-7750	4	Spring-Brush				
8	99-8370	1	Frame-End				
9	98-9549	2	Bolt				
10	98-7758	2	Bolt ASM				
11	98-9712	1	Band-Cover				
12	99-8371	1	Nut-Hex				
13	98-971 1	1	Cord-Solenoid, Stop				
14	99-8372	1	Magnetic Switch ASM				
15	98-7754	1	Spring				
16	98-7755	1	Ball				
17	99-8373	1	Clutch-Running, Over				
18	98-7756	2	Bolt				
19	99-8374	1	Frame-End, Drive Retainer				
20	98-7752	1	Retainer				
21	98-7753	5	Roller				
22	98-7751	1	Gear				
23	99-8375	1	Cover				
24	98-7757	2	O-Ring				
25	99-8376	1	Nut-Hex				
26	98-7759	1	Pipe-Drain				





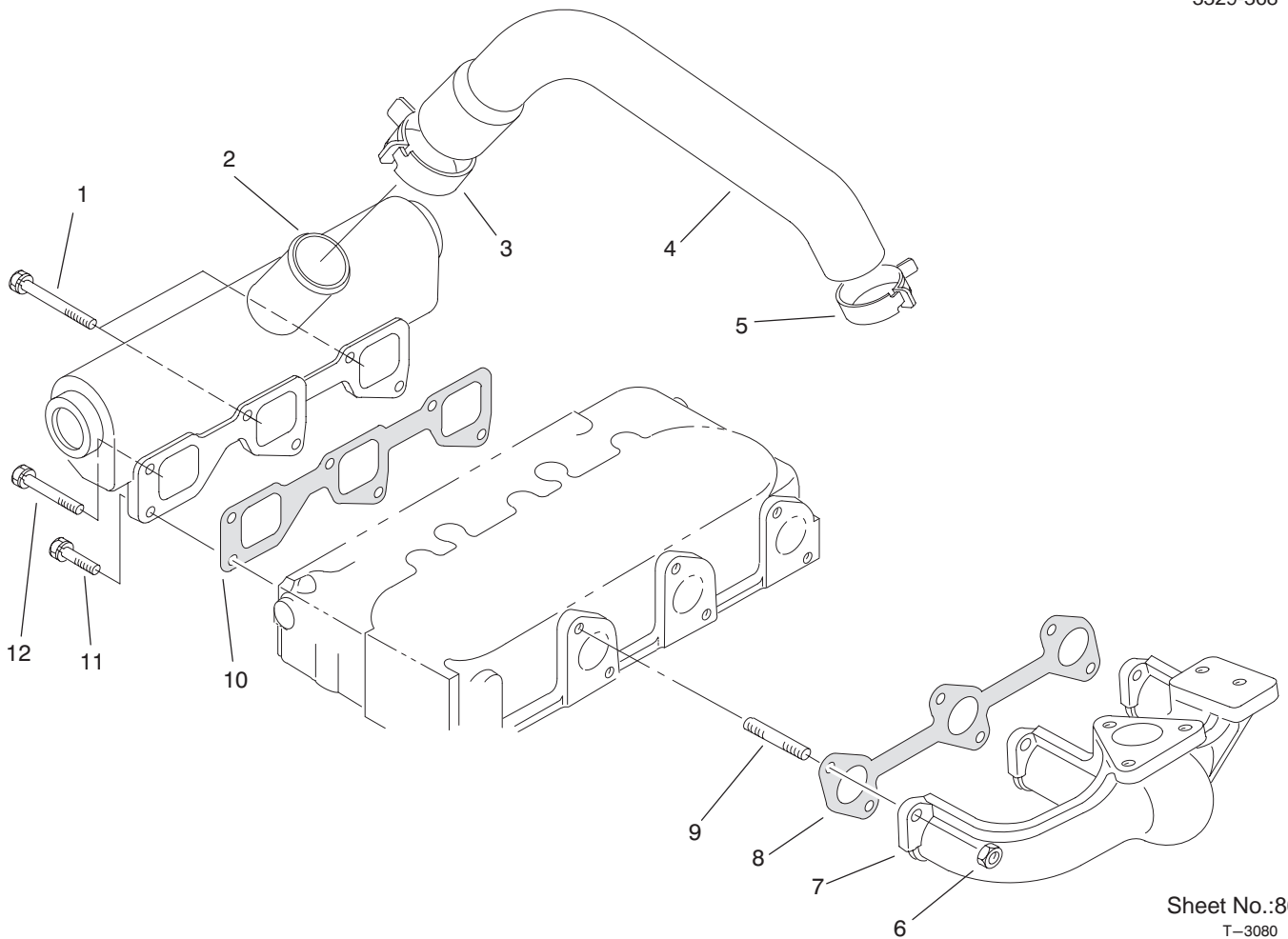
Sheet No.:84  
T-2931

## Water Pump Assembly

Ref. No.	Part No.	Qty.	Description
1	98-9575	1	Water Pump ASM
1:1	98-9582	1	Flange-Pump, Water
1:2	98-9583	1	Bearing
1:3	98-9577	1	Pipe-Return, Water
1:4	98-9576	1	Mechanical Seal ASM
1:5	98-9581	1	Impeller-Pump, Water
2	98-9632	1	Gasket-Pump, Water
3	98-9353	1	Bolt
4	98-9357	4	Bolt
5	98-9717	2	Clamp
6	98-9574	1	Pipe-W ater
7	99-8379	1	Pipe-W ater

Ref. No.	Part No.	Qty.	Description





Sheet No.:86

T-3080

## Exhaust Manifold and Gasket Assembly

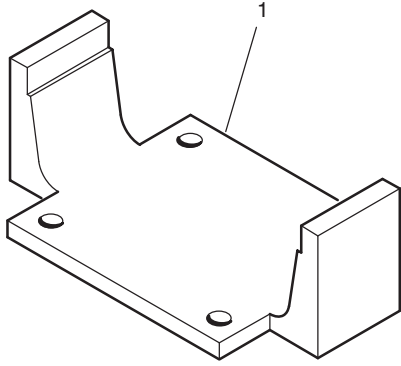
Ref. No.	Part No.	Qty.	Description
1	99-8320	2	Bolt
2	99-8321	1	Manifold-Inlet
3	99-8322	1	Band-Pipe
4	99-8323	1	Hose-Inlet
5	99-8324	1	Band-Pipe
6	98-9665	6	Nut
7	99-8326	1	Manifold-Exhaust
8	99-8327	1	Gasket-Manifold, Exhaust
9	98-9588	6	Stud
10	99-8329	1	Gasket-Manifold, Intake
11	98-7568	3	Bolt
12	98-7496	1	Bolt

Ref. No.	Part No.	Qty.	Description



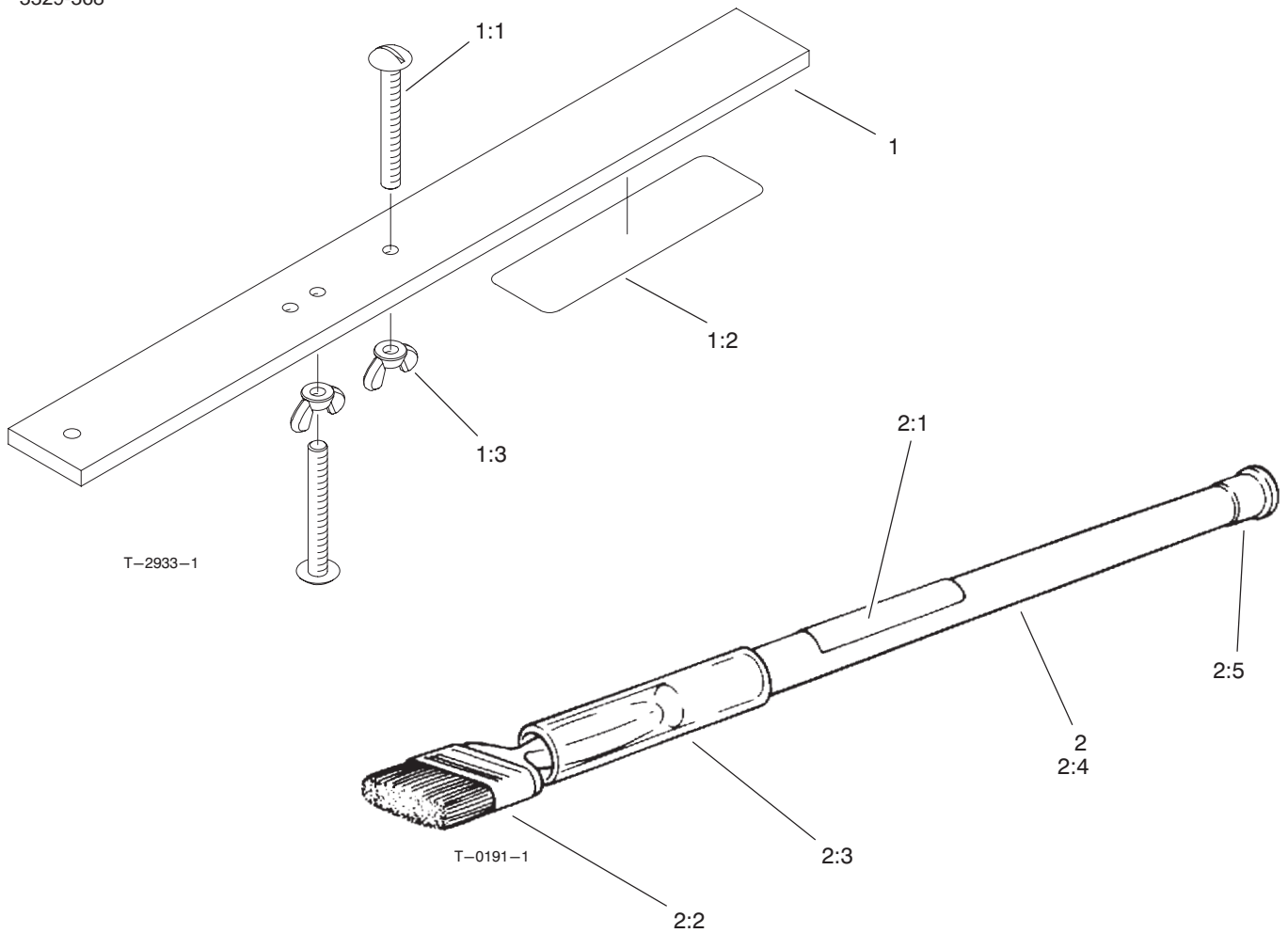
# Special Tools

## Axle Tool No. \*TOR859920



T-1325-1

Ref. No.	Part No.	Description	No. Used
1		Tool-Axle	1



## Gauge Bar and Backlapping Brush Assembly

Ref. No.	Part No.	Qty.	Description
1	98-1852	1	Gauge Bar ASM
1:1	32122-54	2	Screw
1:2	98-7976	1	Decal
1:3	32103-3	2	Nut-Wing
2	29-9100	1	Backlapping Brush ASM
2:1	12-9140	1	Decal
2:2	36-4310	1	Brush
2:3	29-9090	1	Hose-Handle
2:4	29-9080	1	Handle
2:5	2410-18	1	Plug

Ref. No.	Part No.	Qty.	Description







