



Weight Kit

For Mid-Size Mowers with Tru-Trak® Sulky

Part No. 106-0820

Form No. 3329-372

Installation Instructions

1. Center weight on front of carrier frame.
2. Using weight as a template, locate, mark and drill (2) 3/8" dia. holes thru front of carrier frame (Both walls).
3. Mount the weight on rear (inside) of the carrier frame with 2 bolts and nuts provided.

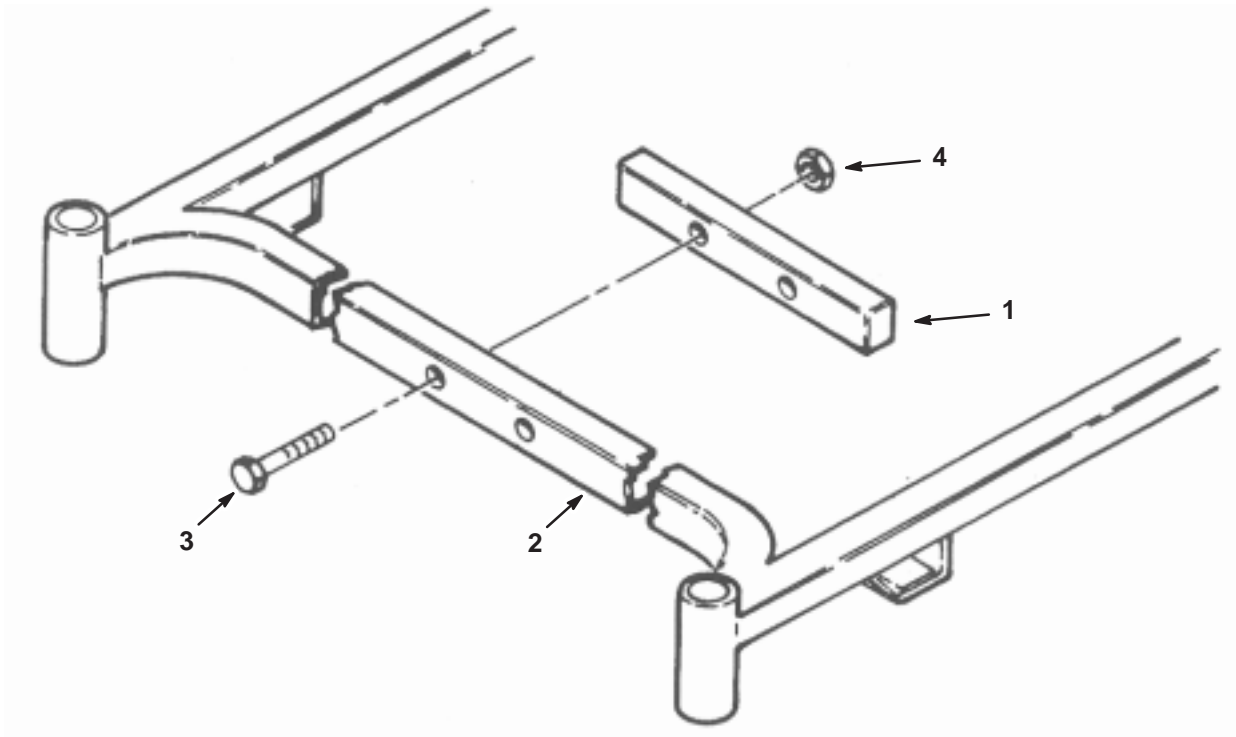


Figure 1

1. Weight

2. Carrier frame

3. Bolt

4. Nut