



1028 Power Shift[®] Snowthrower

Model No. 38560-240000001 and Up

Parts Catalog

Ordering Replacement Parts

To order replacement parts, please supply: the part number, the quantity, and the description of each part desired.

Understanding Reference Numbers

Each identified part in an illustration has a reference number. The reference number for a part also appears in the parts list, along with other information about the part.

This catalog uses two special reference number formats, one to indicate parts in a service assembly and another to indicate the quantity of a given part in an illustration.

Service Assembly Reference Numbers

Parts in service assemblies have reference numbers in the form **a:b**. The **a** represents the reference number of the entire service assembly and the **b** represents a sequential number unique to each part within the service assembly.

For example, a wheel assembly might be identified by reference number **6**, the tire by **6:1**, the valve by **6:2**, and the wheel by **6:3**. When you order the assembly identified by reference number **6**, you receive all parts identified by reference numbers **6:1**, **6:2**, and **6:3**. However, you may also order any part individually.

Reference numbers of this type appear in illustrations and in part lists.

Reference Numbers Indicating Quantity

In an illustration, if a reference number indicates more than one part, the reference number has the form **nX y**. The **n** represents the quantity of the part, the **X** is the multiplication symbol, and the **y** represents the reference number.

For example, in an illustration, the reference number **2X 37** means that two of the parts identified by reference number **37** are indicated.

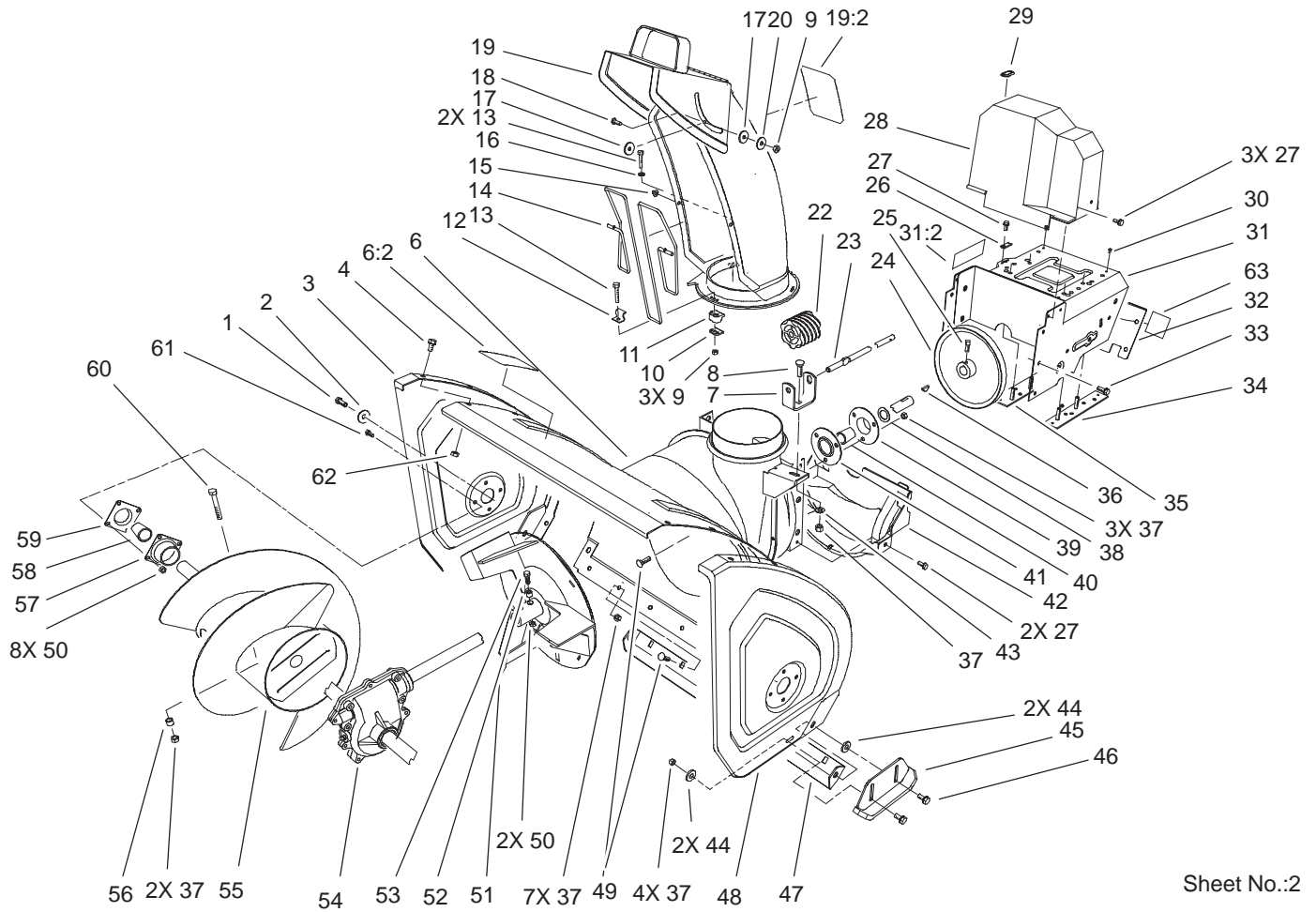
Contents

Description	Page	Description	Page
Housing and Engine Frame Assembly	3	Carburetor Assembly Part No. 640169	12
Auger Gearcase Assembly Part No. 74-1561 . .	5	Tecumseh Engine Assembly	
Engine and Transmission Assembly	6	Model No. OHSK100-221606D	13
Traction Gearcase Assembly Part No. 66-8030 .	7	Tecumseh Engine Assembly	
Power Shift Control Assembly	9	Model No. OHSK100-221606D	14
Handle and Control Assembly	10	Tecumseh Engine Assembly	
Lower Traction Assembly	11	Model No. OHSK100-221606D (continued)	15
		Electric Starter Part No. 33329E	16
		Recoil Starter Part No. 590749	17
		Rewind Starter Part No. 590733	18

Part Description Abbreviations

Part descriptions in this catalog may include the following abbreviations.

Abbreviation	Meaning	Abbreviation	Meaning
AR	as required	HYD	hydraulic
ASM	assembly	INC	incorporated
CARR	carriage	LH	left hand
DEG	degrees	NI	nylon insert
FH	flat head	PPH	Phillips pan head
GA	gauge	PTH	Phillips truss head
HF	hex flange	PTO	power take off
HH	hex head	RH	right hand
HHF	hex head flange	SFH	slotted fillister head
HLH	hex lag head	SHH	slotted hex head
HJ	hex jam	SQH	square head
HOC	height-of-cut	SHWH	slotted hex washer head
HS	hex socket	SPH	slotted pan head
HSBH	hex socket button head	SRH	slotted round head
HSFH	hex socket flat head	STD	standard
HSH	hex socket head	TAP	self tapping
HWH	hex washer head	TTH	Torx truss head
HWHTF	hex washer head thread forming	WH	wing head

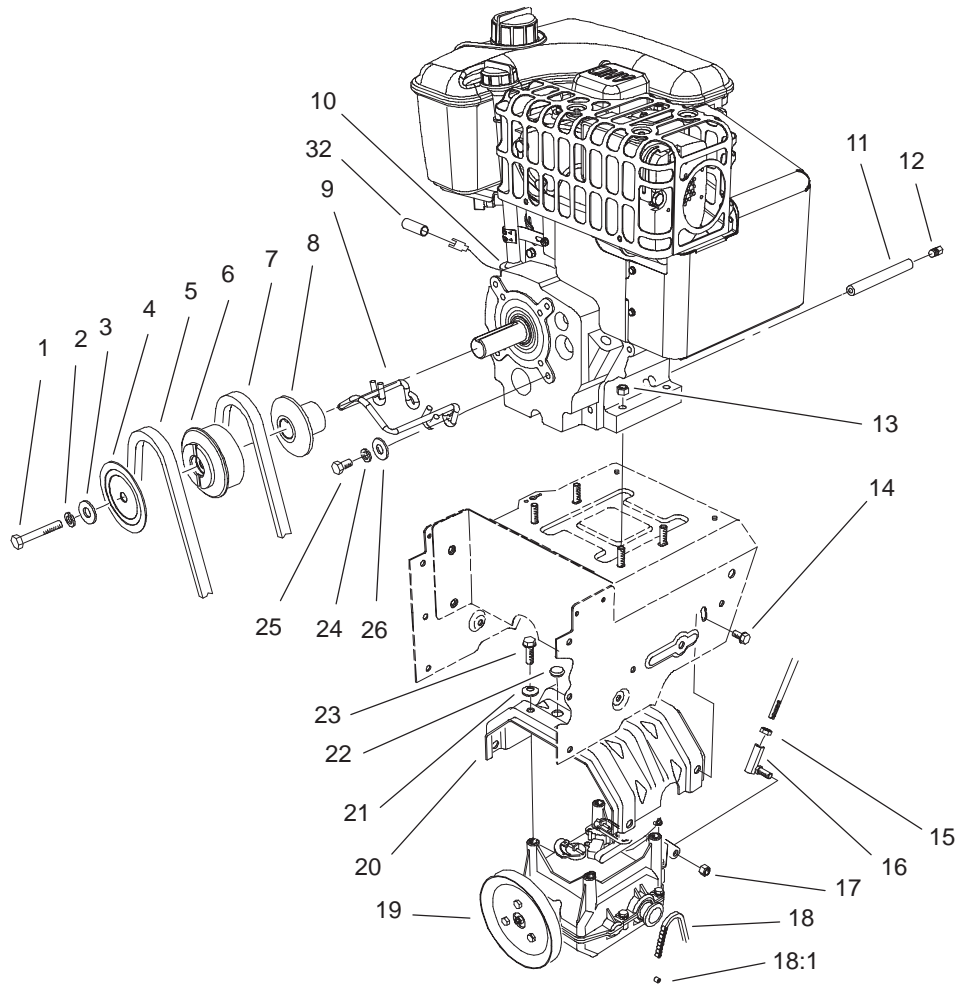


Sheet No.:2

Housing and Engine Frame Assembly

Ref. No.	Part No.	Qty.	Description
1	323-4	2	Screw-HH
2	3-0750	2	Washer
3	66-7821-01	1	Plate-Side, RH
4	3234-28	12	Screw-HHF
6	100-5454	1	Auger Housing ASM
6:2	53-7670	1	Decal-Warning, Auger
7	63-2180	1	Bracket-Worm, Chute
8	3230-2	1	Bolt-CARR
9	3296-2	4	Nut-Lock
10	63-2670	3	Plate-Retainer, Chute
11	62-1430	3	Retainer-Chute
12	63-3130	1	Clip-Guard, Chute
13	3274-13	3	Screw-HSH
14	63-3020	1	Guard-Chute
15	3290-326	2	Nut-Push
16	3256-14	1	Washer-Flat
17	63-2900	2	Washer-Plastic
18	32122-32	1	Screw
19	95-2661	1	Chute
19:2	94-8079	1	Decal-Danger
20	3256-61	1	Washer-Flat
22	62-0820	1	Gear-Worm
23	62-1720	1	Rod-Chute, Lower
24	62-1300	1	Pulley-Impeller
25	3242-4	2	Screw-Set, SQH
26	63-2300	1	Retainer-Cable

Ref. No.	Part No.	Qty.	Description
27	32144-4	6	Screw-HWH
28	63-2080	1	Cover-Belt, Upper
29	63-3290	1	Cover-Cable
30	3269-23	4	Rivet-Pop
31	100-5450	1	Engine Frame ASM
31:2	66-6860	1	Decal-Warning
32	62-1440-01	1	Cover-Frame, Engine
33	32144-14	6	Screw-HWH
34	68-4110	1	LH Frame Plate ASM
35	68-4100	1	RH Frame Plate ASM
36	3257-23	1	Key-Woodruff
37	3296-29	17	Nut-Lock, NI
38	252-80	1	Washer-Thrust
39	26-6110	1	Flange-Cup, Bearing
40	63-3450	1	Bearing-Ball
41	26-6120	1	Flange-Cup, Bearing
42	68-8410	1	Cover-Belt, Lower
43	3256-23	1	Washer-Flat
44	52-2861	4	Washer
45	74-1440-01	2	Skid ASM
46	3234-5	4	Screw
47	66-7761-01	1	Blade-Scraper
48	66-7831-01	1	Plate-Side, LH
49	3230-23	10	Screw-CARR
50	3296-42	10	Nut-Lock, NI
51	66-7920-03	1	Impeller-4 Blade



Sheet No.:3

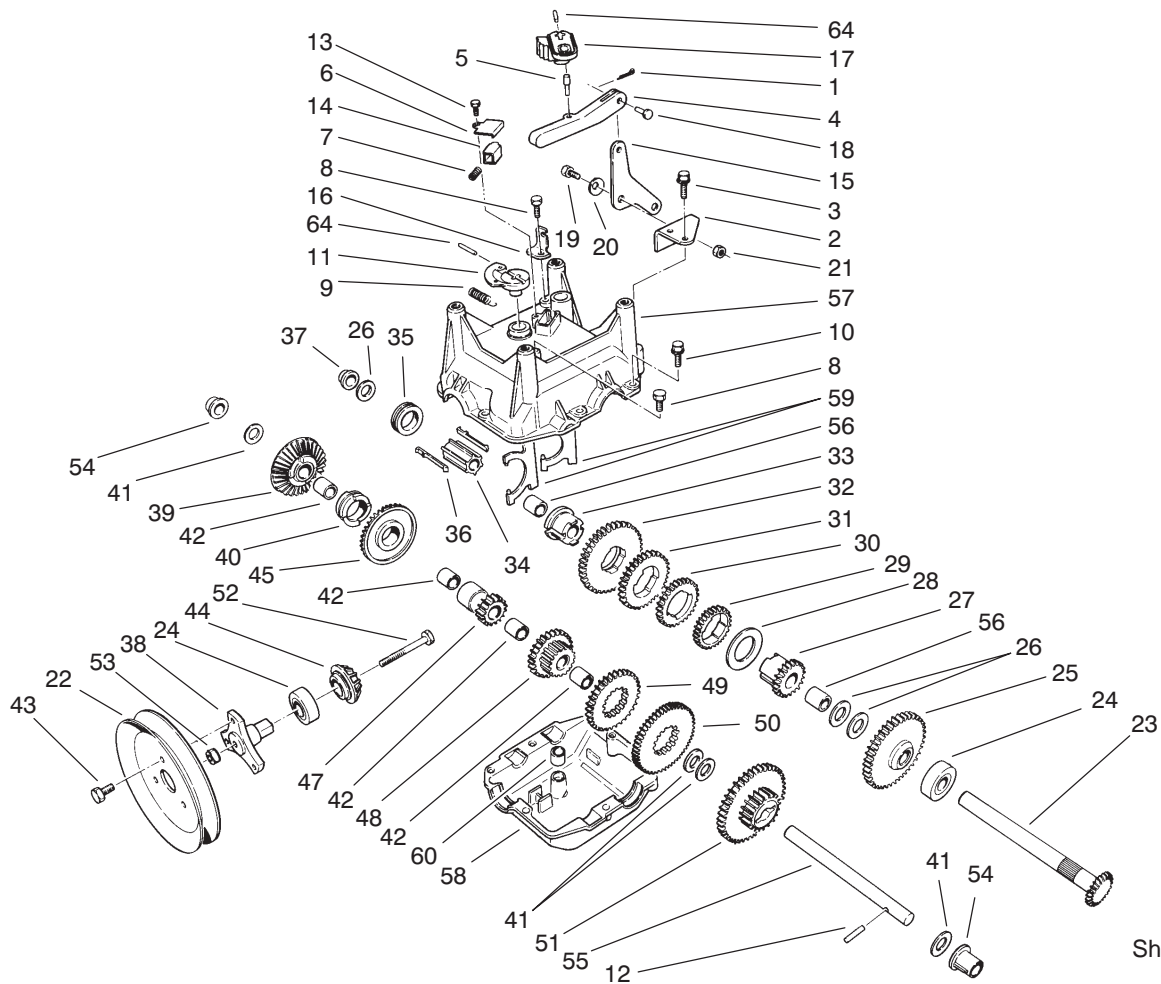
Engine and Transmission Assembly

Ref. No.	Part No.	Qty.	Description
1	3212-8	1	Screw-HH
2	3253-6	1	Washer-Lock
3	3256-41	1	Washer-Flat
4	62-0940	1	Sheave-Half, Impeller
5	63-2962	1	V-Belt
6	62-0930	1	Pulley-Engine, Center
7	63-2951	1	V-Belt, Traction
8	62-0920	1	Sheave-Half, Traction
9	100-3432	1	Guide-Belt
☆10		1	Engine-10hp Tecumseh Ohsk 100-221606d
*10:2	99-9300	1	Cord-Extension
11	289-34	1	Nipple-Pipe
12	288-2	1	Cap-Pipe
13	32128-20	4	Nut-HF
14	3234-7	4	Screw-HHF
15	3220-3	1	Nut-Jam
16	78-2920	1	Ball-Joint
17	3296-6	1	Nut-Lock, NI
18	63-2930	1	Chain
18:1	2710-15	1	Link-Offset
19	66-8030	1	Traction Gearcase ASM
20	63-2990-03	1	Transmission Frame ASM

Ref. No.	Part No.	Qty.	Description
21	3290-461	4	Washer-Spring
22	95-7947	2	Cap-Plug
23	11-0590	4	Screw-HWH, Thd Form
24	3253-4	2	Washer-Lock
25	3210-3	2	Screw-HH
26	3256-41	2	Washer-Flat
32	94-2782	1	Cap-Wire, Lite

☆ Not serviced separately

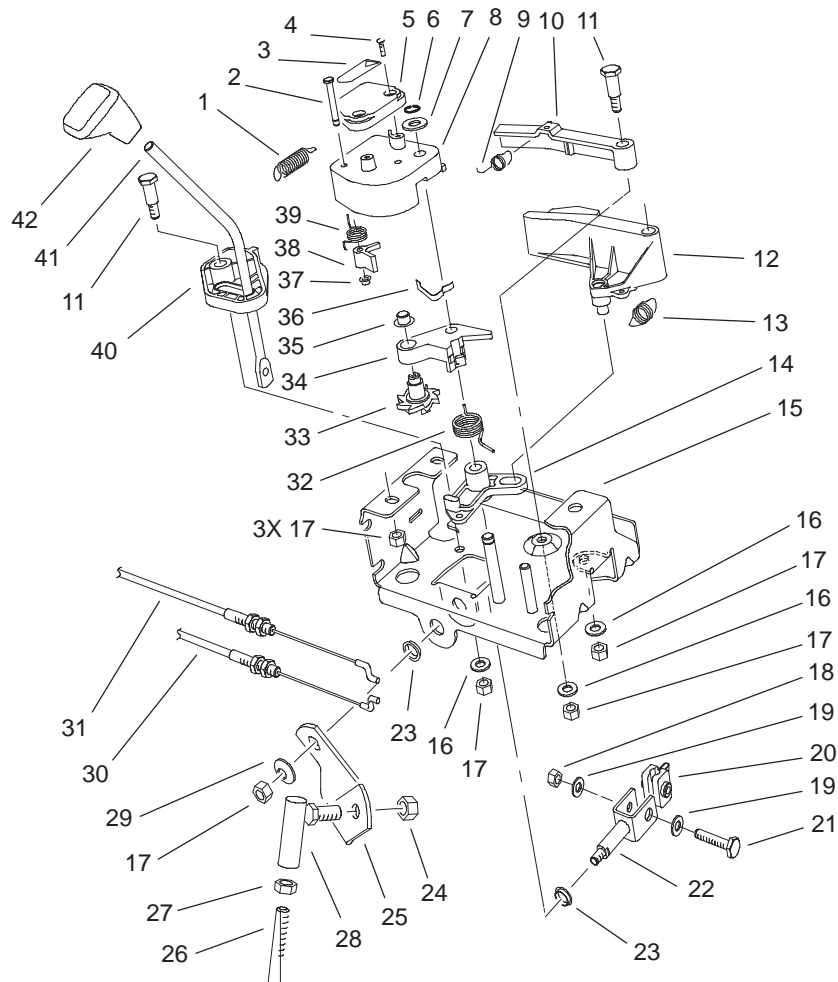
* Not illustrated



Sheet No.:A2

Traction Gearcase Assembly Part No. 66-8030

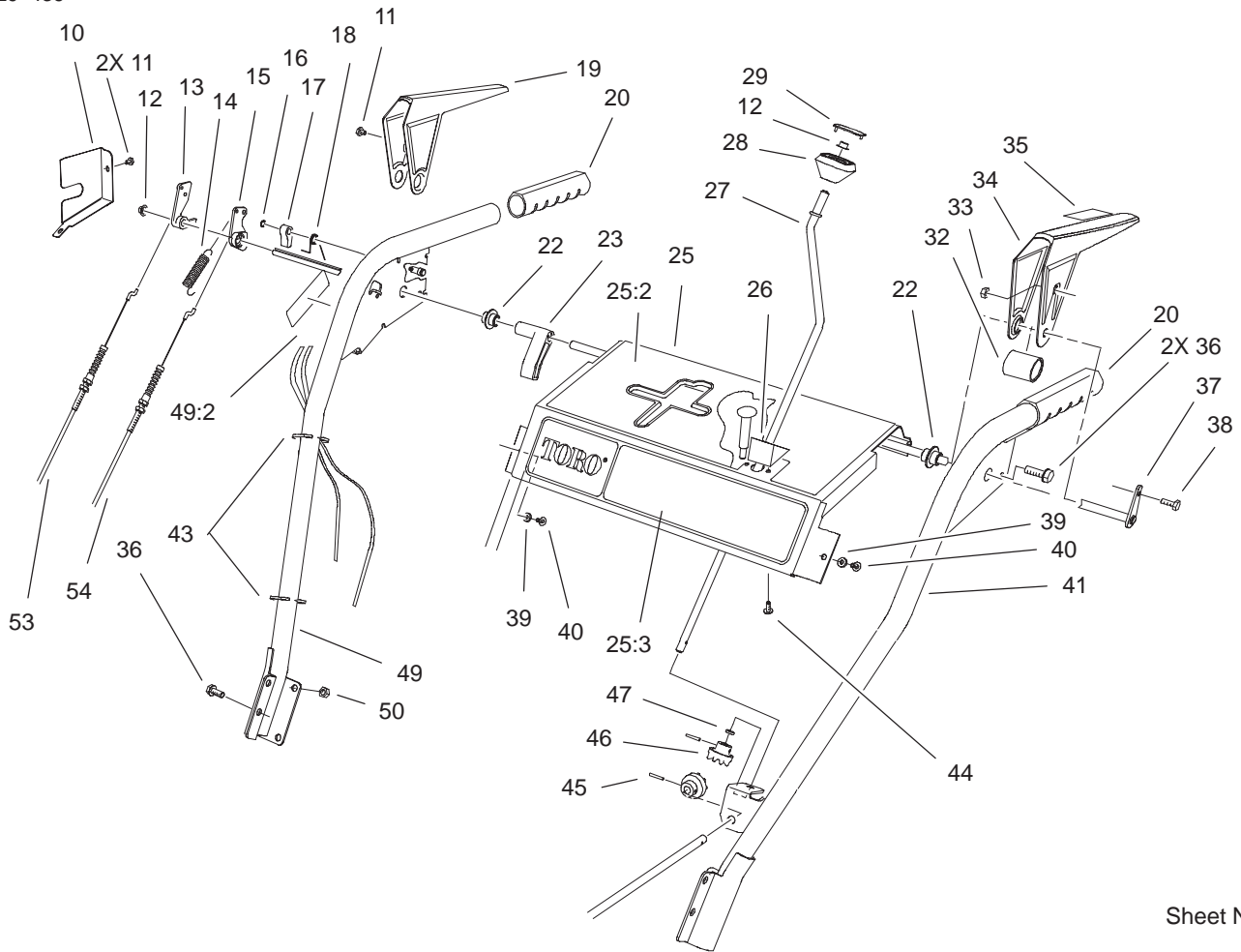
Ref. No.	Part No.	Qty.	Description	Ref. No.	Part No.	Qty.	Description
1	3272-1	1	Pin-Cotter	27	62-0340	1	Gear-Sleeve, 19 T
2	62-1190	1	Bracket-Bellcrank	28	63-2280	1	Washer-Thrust
3	32104-95	2	Screw-HWH	29	62-0250	1	Gear, 29 T
4	62-0860	1	Link-Shift, Gear	30	62-0200	1	Gear, 27 T
5	63-2190	1	Pin-Link, Gear Shift	31	62-0220	1	Gear, 34 T
6	62-1690	1	Cover-Detent	32	62-0240	1	Gear, 45 T
7	63-2890	1	Spring-Detent	33	62-0320	1	Sleeve-Gear
8	32144-4	2	Screw-HWH	34	68-4320	1	Sleeve-Shift
9	63-2920	1	Spring-Extension	35	62-0430	1	Collar-Shift
10	32144-86	6	Screw-HH	36	62-0310	2	Key-Shift
11	62-0880	1	Lever	37	62-1180	1	Bushing-Flange, Output
12	32121-106	1	Pin-Spring	38	62-0380	1	Hub-Pulley
13	32104-71	1	Screw-HWH	39	67-5860	1	Gear-Bevel, Rev, 36 T
14	62-1020	1	Button-Detent	40	67-5880	1	Collar-Shift
15	63-2600	1	Bellcrank	41	257-10	4	Washer-Thrust
16	62-1740	1	Bracket-Cable	42	62-1160	4	Bushing
17	62-0870	1	Lever-Shift, Gear	43	12-3270	3	Screw
18	283-3	1	Pin-Clevis	44	62-0350	1	Pinion-Bevel
19	63-3410	1	Screw-Shoulder	45	67-5870	1	Gear-Bevel, 36 T
20	3290-477	1	Washer-Curved	47	62-0500	1	Gear-Bevel, 15 T
21	3296-42	1	Nut-Lock, NI	48	68-4310	1	Gear, 26 T
22	62-1310	1	Traction-Sheave, Half	49	62-0210	1	Gear, 33 T
23	62-1080	1	Shaft-Output	50	62-0260	1	Gear, 51 T
24	100-1048	2	Bearing-Ball	51	62-0360	1	Gear, 19/41 T
25	62-0370	1	Gear, 41 T	52	321-15	1	Screw-HH
26	252-59	3	Bearing-Thrust				



Sheet No.:4

Power Shift Control Assembly

Ref. No.	Part No.	Qty.	Description	Ref. No.	Part No.	Qty.	Description
1	63-2220	1	Spring-Extension	26	63-2830	1	Rod-Bent Shift, Lower
2	63-2610	1	Pin-Tang	27	3220-3	1	Nut-Jam
3	63-2480	1	Decal-Number 2	28	78-2920	1	Ball-Joint
4	94-6961	2	Screw	29	3290-456	1	Washer-Belleville
5	62-1140	1	Cover-Latch	30	63-2210	1	Cable-Gearbox
6	32120-46	1	Ring-Retaining	31	63-2200	1	Cable-Arm, Latch
7	257-9	1	Washer-Thrust	32	63-2270	1	Spring-Torsion
8	62-1100	1	Lever Latch	33	62-0170	1	Wheel-Index
9	63-2240	1	Spring-Extension	34	62-1110	1	Lever-Wheel, Index
10	62-1700	1	Lever-Lockout	35	3290-320	1	Retainer-Push On
11	63-2650	2	Screw-Shoulder	36	62-1710	1	Spring-Flat
12	62-1130	1	Lever-Reverse	37	3290-422	1	Nut-Push
13	63-2230	1	Spring-Extension	38	62-0180	1	Tang-Index
14	62-1120	1	Lever-Reverse, Switch	39	62-1650	1	Spring-Torsion
15	63-2150-03	1	Control Frame ASM	40	62-1470	1	Base-Lockout
16	3256-23	3	Washer-Flat	41	67-9240	1	Rod-Shift
17	3296-29	7	Nut-Lock, NI	42	62-1290	1	Knob-Shift
18	3296-42	1	Nut-Lock, NI				
19	3256-1	2	Washer-Flat				
20	67-9250	1	Retainer-Rod, Shift				
21	321-9	1	Screw-HH				
22	66-7730	1	Clevis ASM				
23	256-296	2	Bushing				
24	3296-6	1	Nut-Lock, NI				
25	63-2630	1	Bracket-Shift				

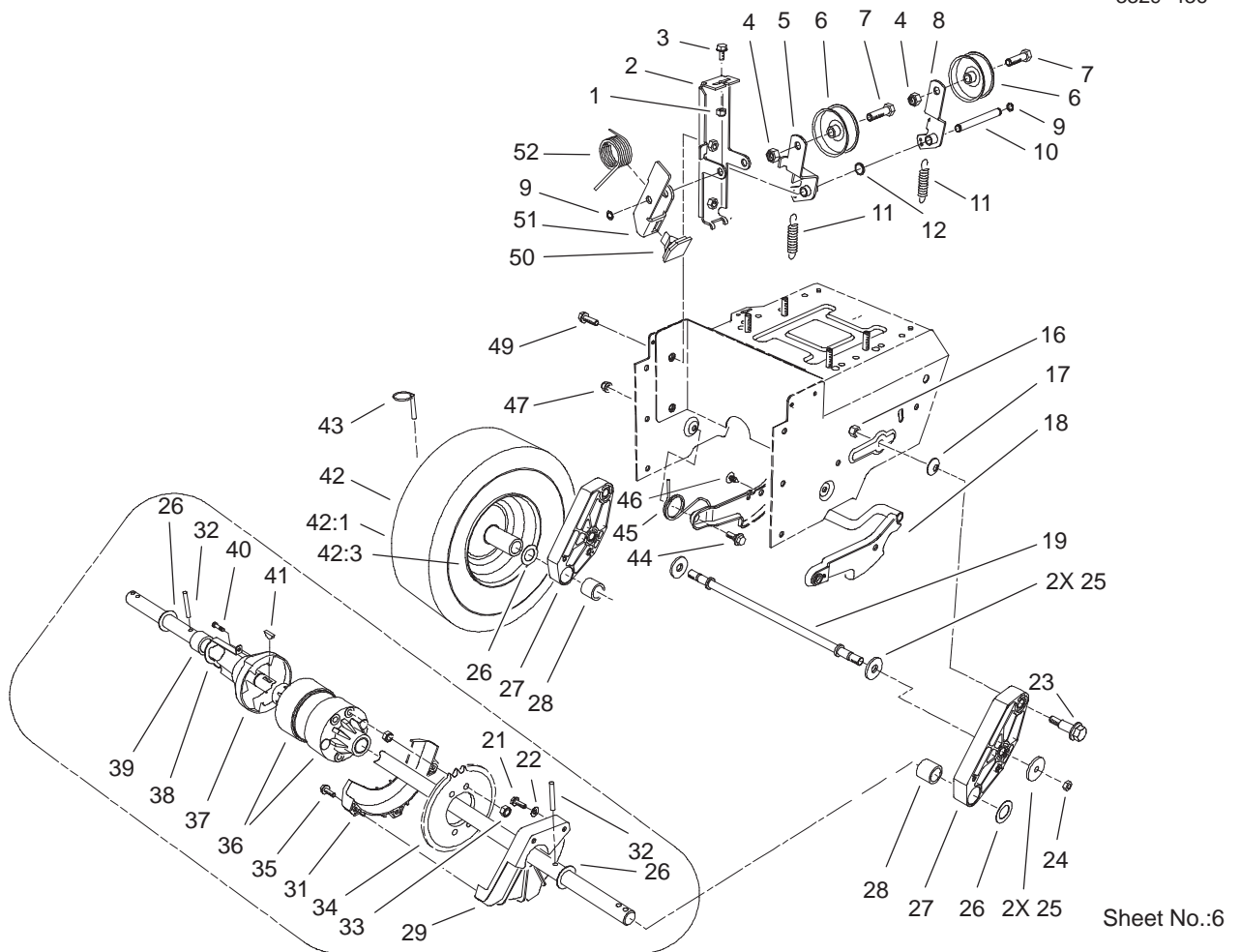


Sheet No.:5

Handle and Control Assembly

Ref. No.	Part No.	Qty.	Description
10	63-2170-03	1	Cover-Lock, Lever
11	2210-250	3	Screw-HH
12	3290-320	2	Retainer-Push On
13	62-0300	1	Tang-Locking
14	88-0810	1	Spring-Extension
15	62-0290	1	Cam-Release
16	32151-66	1	E-Ring-Retainer
17	62-0280	1	Latch-Locking
18	63-2910	1	Spring-Torsion
19	62-1050-03	1	Lever-Traction, RH
20	66-7850	2	Grip-Handle
22	62-1070	2	Bushing-Lever
23	62-1640	1	Lever-Trip
25	100-3576	1	Control Panel ASM
25:2	99-3230	1	Decal-Top, Panel
25:3	100-3336	1	Decal - Front Panel
26	62-1490	1	Plate-Guide
27	63-2160	1	Crank-Rod, Chute
28	62-1320	1	Knob-Control, Chute
29	62-1520	1	Cover-Knob
32	63-3380	1	Spacer-Lever, Traction
33	3296-2	1	Nut-Lock
34	62-1060-03	1	Lever-Traction, LH
35	63-3050	1	Decal-Lever
36	32144-14	6	Screw-HWH

Ref. No.	Part No.	Qty.	Description
37	63-2030	1	Cross Rod ASM
38	3290-359	1	Screw-HWH
39	3256-14	2	Washer-Flat
40	32104-76	2	Screw
41	66-8091-03	1	LH Handle ASM
43	3290-378	2	Tie-Cable
44	94-6961	2	Screw
45	32121-50	2	Pin-Spring
46	62-1460	2	Gear-Universal
47	62-1230	1	Washer-Rubber
49	100-3597	1	Handle ASM
49:2	66-6860	1	Decal-Warning
50	3296-47	4	Nut-Lock, NI
53	63-2700	1	Cable-Impeller
54	63-2710	1	Cable-Traction

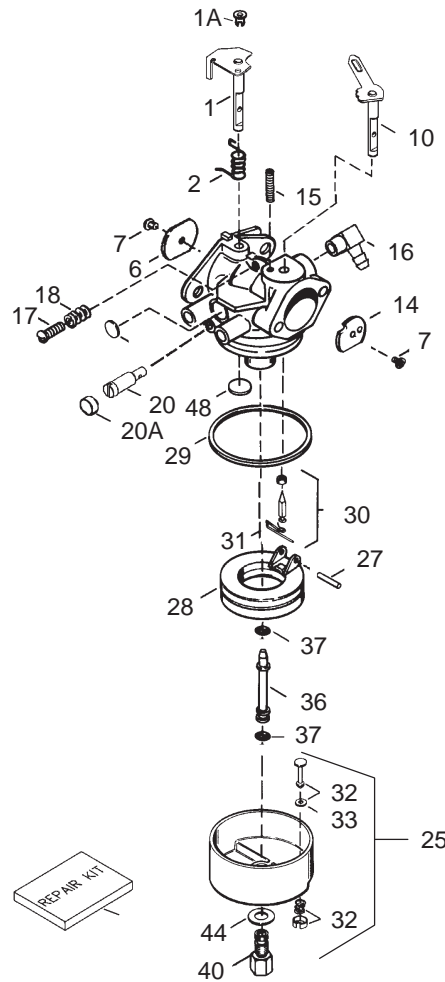


Lower Traction Assembly

Ref. No.	Part No.	Qty.	Description
1	3296-42	1	Nut-Lock, NI
2	63-2850	1	Idler Arm Bracket ASM
3	3234-13	1	Screw-HHF
4	3296-59	2	Nut-Lock, NI
5	93-8046	1	Impeller Idler Arm ASM
6	3-4244	2	Pulley-Idler
7	323-7	2	Screw-HH
8	93-8045	1	Traction Idler Arm ASM
9	32120-46	2	Ring-Retaining
10	62-0970	1	Pin-Idler
11	63-2870	2	Spring-Extension
12	3256-38	1	Washer-Flat
16	3296-39	2	Nut-Lock, NI
17	3290-461	2	Washer-Spring
18	62-0470-03	1	Latch ASM
19	66-7720	1	Rod-Latch
21	32144-4	2	Screw-HWH
22	3256-1	2	Washer-Flat
23	62-1330	2	Bolt-Shoulder
24	3296-23	2	Nut-Lock, NI
25	63-3340	4	Washer-Support
26	252-80	4	Washer-Thrust
27	66-7740	2	Pivot Arm ASM
28	63-2250	2	Bushing-Axle

Ref. No.	Part No.	Qty.	Description
29	62-1010	1	Guard-Chain, LH
31	68-9310	1	Guard-Chain
32	32121-9	2	Pin-Spring
33	3296-47	6	Nut-Lock, NI
34	68-9270	1	Sprocket, 32 T
35	94-4496	3	Screw-PPH
36	68-9200	1	Differential ASM
37	68-9250	1	Coupling-Differential
38	68-9260	1	Spring - Lockout
39	95-7930	1	Spacer
40	104-2065	1	Screw-HWH
41	3257-41	2	Key-Woodruff
42		2	Wheel & Tire Assembly
42:1	231-123	1	Tire
*42:2	232-48	1	Inner Tube
42:3	241-127	1	Rim-Wheel
43	3290-243	2	Pin-Lynch
44	5-2490	2	Screw-Shoulder
45	63-2740	1	Spring-Latch, Torsion
46	3290-476	1	Fastener-Panel
47	3296-47	2	Nut-Lock, NI
49	3234-7	2	Screw-HHF
50	66-8060	1	Pad-Brake
51	63-2820	1	Arm-Brake
52	100-5474	1	Spring-Torsion

* Not illustrated



Sheet No.:

Carburetor Assembly Part No. 640169

Ref. No.	Part No.	Qty.	Description
1	632777	1	Throttle Shaft & Lever ASM
1A	36288	1	Bushing
2	631970	1	Throttle Return Spring
6	640109	1	Throttle Shutter
7	650506	2	Shutter Screw
10	632778	1	Choke Shaft & Lever ASM
14	632189	1	Choke Shutter
15	630735	1	Choke Positioning Spring
16	632527	1	Fuel Fitting
17	651025	1	Idle Speed Screw
18	630766	1	Tension Spring
20	640027	1	Idle Restrictor Screw
20A	640053	1	Idle Restrictor Screw Cap
25	632594A	1	Float Bowl ASM (Incl. Ref.# 32 & 33)
27	631024	1	Float Shaft
28	632802	1	Float
29	631028	1	Float Bowl O-Ring
30	631021	1	Inlet Needle, Seat, Clip (Incl. Ref.# 31)
31	631022	1	Spring Clip
32	27136A	1	Bowl Drain ASM

Ref. No.	Part No.	Qty.	Description
33	27554	1	Drain Plunger Gasket
36	640013	1	Main Nozzle Tube
37	632547	2	O-Ring, Main Nozzle Tube
40	640170	1	High Speed Bowl Nut
44	27110A	1	Bowl Nut Washer
47	630748	1	Welch Plug, Idle Mixture Well
48	631027	1	Welch Plug, Vent
60	632760	1	Repair Kit

Obtain Part from Local Tecumseh Dealer.

Tecumseh Engine Assembly Model No. OHSK100-221606D

Ref. No.	Part No.	Qty.	Description	Ref. No.	Part No.	Qty.	Description
1	37251	1	Cylinder (Incl. Ref.# 2, 20 & 72)	83	30588A	1	Governor Spool
2	27652	2	Dowel Pin	84	29193	1	Retaining Ring
3	650820	2	Screw	86	650833	7	Screw
14	28277	1	Washer	87	650832	1	Screw
14A	651057	1	Washer	89	32589	1	Flywheel Key
15	30699C	1	Governor Rod (Incl. Ref.#15A & 15B)	90	611093	1	Flywheel (W/Ring Gear)
15A	30700	1	Yoke-Governor	92	650880	1	Lock Washer
15B	650494	1	Screw	93	650881	1	Flywheel Nut
16	37255A	1	Governor Lever	100	35135A	1	Solid State Ignition (Incl. Ref. #101)
17	29916	1	Governor Lever Clamp	101	610118	1	Spark Plug Cover
18	651028	1	Screw - Torx	102	651024	2	Solid State Mounting Stud
19	36281	1	Extension Spring	103	651007	2	Screw-Torx
20	35319	1	Oil Seal	110	35187	1	Ground Wire
25	36460	1	Blower Housing Baffle	110A	37047	1	Ground Wire
26	650561	2	Screw	119	37256	1	Cylinder Head Gasket
28	30322	1	Lock Nut	120	37516	1	Cylinder Head (Incl. Ref. #151A & 270A)
30	37272	1	Crankshaft	125	36934	1	Exhaust Valve (Std.)
35	29826	1	Screw	125	36936	1	Exhaust Valve (1/32)
36	29918	1	Lock Washer	126	36935	1	Intake Valve (Std.)
37	29216	1	Lock Nut	127	650691	6	Washer
38	29642	1	Retaining Ring	128	650690	6	Belleville Washer
40	40011	1	Piston, Pin & Ring Set (Std.)	130	650697A	6	Screw
40	40012	1	Piston, Pin & Ring Set (.010)	135	34645	1	Spark Plug (RN4C)
41	40009	1	Piston & Pin Ass'y (Std.) (Incl. Ref.#43)	139	33369	1	Governor Gear Bracket
41	40010	1	Piston & Pin Ass'y (.010) (Incl. Ref.#43)	140	650836	1	Screw
42	40013	1	Ring Set (Std.)	150	33507	2	Valve Spring
42	40014	1	Ring Set (.010)	151	33508	2	Valve Spring Keeper
43	27888	2	Piston Pin Retaining Ring	151A	35862	1	Seal-Valve, Intake
45	36897	1	Connecting Rod ASM (Incl. Ref.# 47 & 49)	153	35949	1	Push Rod Guide
47	651033	2	Connecting Rod Bolt	154	650945	2	Rocker Arm Stud
48	35313	2	Valve Lifter	155	35950	2	Rocker Arm
49	63896	1	Oil Dipper	157	650947	2	Jam Nut
50	37517	1	Camshaft (MCR)	158	35466	2	Push Rod
60	35316A	1	Blower Housing Extension	159	35952	1	Rocker Arm Cover Gasket
65	30200	1	Screw	160	35953A	1	Rocker Arm Cover
66	30063	1	Screw - Torx	161	30063	4	Screw-Torx
69	37342	1	Cylinder Cover Gasket	163	650890	2	Lock Washer
70	37273B	1	Cylinder Cover (Incl. Ref.#71,75 & 80-84)	169	27896A	2	Valve Cover Gasket
71	35377	1	Crankshaft Bushing	170	28423	1	Breather Body
72	27642	1	Oil Drain Plug	171	28424	1	Breather Element
75	35319	1	Oil Seal	172	28425	1	Valve Cover
80	37587	1	Governor Shaft	173	35350	1	Breather Tube
81	651080	1	Washer	174	650128	2	Screw
82	37588	1	Governor Gear ASM (Incl. Ref. #81)	174A	651056	1	Screw
				180	37101	1	Blower Housing Extension
				181	30200	2	Lock Nut
				182	650517	2	Screw-Torx
				183	34583A	1	Choke Bracket
				184	33263	1	Carb. To Intake Pipe Gasket

Obtain Part from Local Tecumseh Dealer.

Tecumseh Engine Assembly Model No. OHSK100-221606D (continued)

Ref. No.	Part No.	Qty.	Description	Ref. No.	Part No.	Qty.	Description
185	37085	1	Intake Pipe	329	610973	1	Terminal
186	37261	1	Governor Link	335	37096	1	Carburetor Cover
186B	36653	1	Choke Spring	335A	37087	1	Carburetor Cover
200	35702	1	Control Bracket (Incl. Ref.#203,204 & 206)	338	650821	4	Screw
203	31342	1	Compression Spring	341	37093	1	Fuel Tank Bracket
204	651029	1	Screw – Torx	342	792028	2	Screw
206	610973	1	Terminal	343	35079A	1	Key Switch Bracket (Incl. Ref. #343A)
207	37262	1	Choke Link	343A	651060	1	Screw
209	650821	2	Screw	345	37097	1	Heat Baffle
212	30773A	1	Bushing	345A	650821	1	Screw
212A	36288	1	Bushing	350	570682A	1	Primer Assembly
215	35440	1	Control Knob	351	32180C	1	Primer Line
217	37260	1	Bellcrank Lever	355	590574	1	Starter Handle
219	35689	1	Choke Rod	361	650990	2	Screw–Torx
220	35438	1	Choke Knob	369	651032	2	Screw
222	28820	2	Screw	370C	36501	1	Primer Decal
223	650971	2	Screw – Torx	370H	37226	1	Choke Decal
224	33515A	1	Intake Pipe Gasket	370I	37119	1	Warning Decal
260	37092A	1	Blower Housing	370K	36695	1	Starter Decal
262	29747B	2	Screw – Torx	380	640169	1	Carburetor (Incl. Ref.# 184)
264A	650738	1	Screw	390	590749	1	Rewind Starter (Note: This engine could have been built with 590733 Starter)
265	37086	1	Cylinder Head Cover	396	33329E	1	Electric Starter Motor (110 Volt)
266	650876	2	Screw	400	37257A	1	Gasket Set
269	35762	2	Exhaust Gasket	420	730226A	1	SAE 5W30 4–Cycle Engine Oil (Quart)
270	37263	1	Manifold		756339B	1	Short Block
270A	35829A	1	Exhaust Port Liner				
271	35293	1	Locking Plate (Manifold)				
275	37264	1	Muffler				
276	35348	1	Locking Plate				
277	650877	2	Screw				
279	651011	4	Screw				
280	37265	1	Heat Shield				
285	35985B	1	Starter Cup				
287	29752	4	Nut & Lock Washer				
290	30962	1	Fuel Line				
291	29774	1	Fuel Line				
292	26460	4	Fuel Line Clamp				
295	35857	1	Fuel Shut–Off Valve (Incl. Ref. #292)				
298	650665	2	Screw				
300	37099	1	Fuel Tank (Incl. Ref.#292 & 301)				
301	36246	1	Fuel Cap				
302	37098	1	Fuel Tank Extension				
302A	650821	3	Screw				
305	35574	1	Oil Fill Tube				
307	35499	1	O–Ring				
308	35539	1	Fill Tube Clip				
310	35700	1	Dipstick				
314	650873	1	Screw				
315	611111	1	Alternator Coil (18 Watt) (Incl. Ref.# 322 & 323)				
322	611117	1	Connector Body				
323	611118	1	Terminal				
328	35062	2	Ignition Keys				

Obtain Parts from Local Tecumseh Dealer.

