



Count on it.

Parts Catalog

**GrandStand® Multi Force® Mower
With 60in TURBO FORCE® Cutting Unit**

Model No. 74523—Serial No. 403294044 and Up



Ordering Replacement Parts

To order replacement parts, please supply the part number, the quantity, and the description of each part desired.

Understanding Reference Numbers

Each identified part in an illustration has a reference number. The reference number for a part also appears in the parts list, along with other information about the part.

This catalog uses two special reference number formats, one to indicate parts in a service assembly and another to indicate the quantity of a given part in an illustration.

Service Assembly Reference Numbers

Parts in service assemblies have reference numbers in the form a:b. The a represents the reference number of the entire service assembly and the b represents a sequential number unique to each part within the service assembly.

For example, a wheel assembly might be identified by reference number 6, the tire by 6:1, the valve by 6:2, and the wheel by 6:3. When you order the assembly identified by reference number 6, you receive all parts identified by reference numbers 6:1, 6:2, and 6:3. However, you may also order any part individually. Reference numbers of this type appear in illustration and in parts lists.

Reference Numbers Indicating Quantity

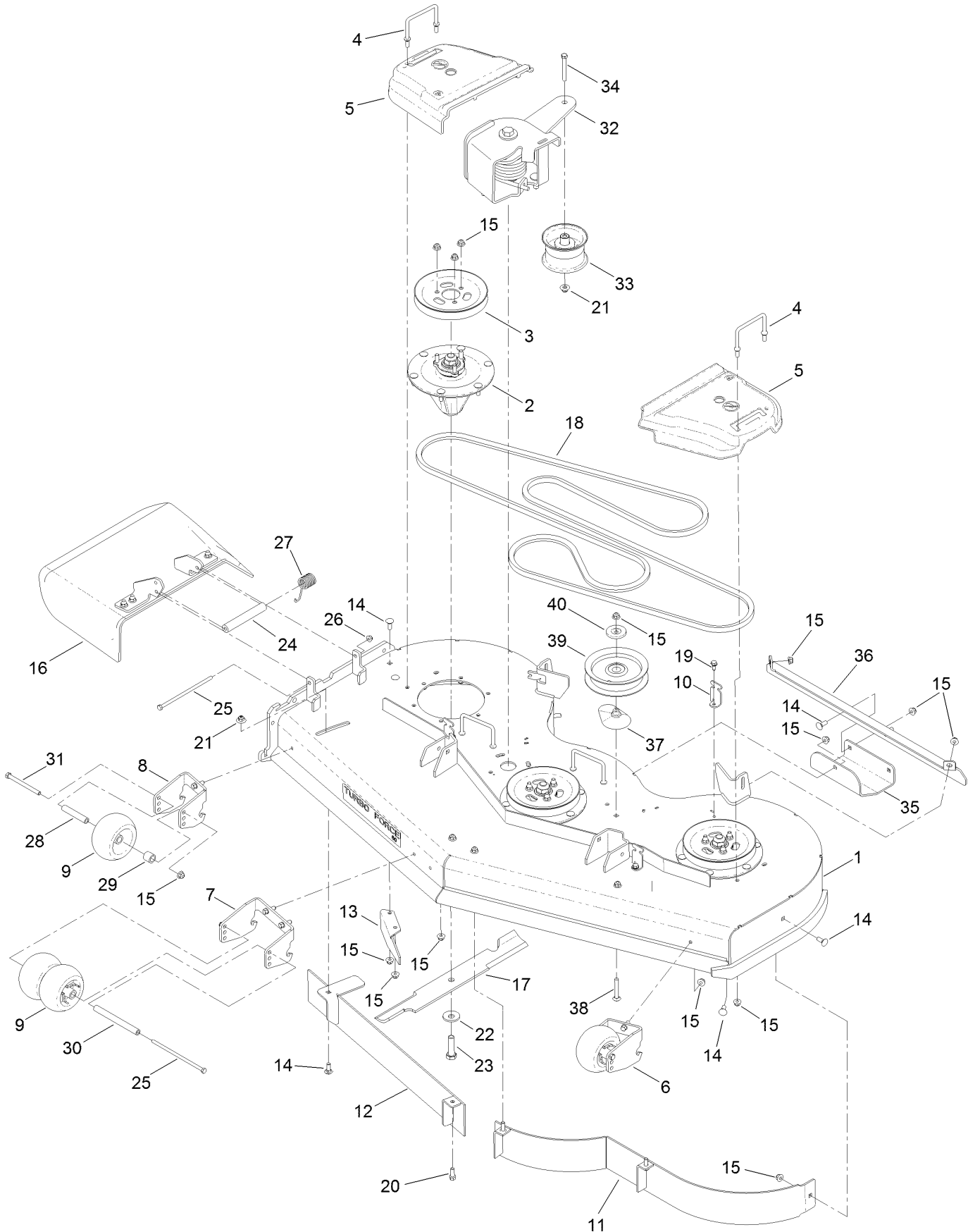
In an illustration, if a reference number indicates more than one part, the reference number has the form nX y. The n represents the quantity of the part, the X is the multiplication symbol, and the y represents the reference number.

For example, in an illustration, the reference number 2X 37 means that two of the parts identified by reference number 37 are indicated.

Contents

60 Inch Deck Assembly	4
Deck Decal Assembly No. 127-1941	6
Spindle Assembly No. 127-0560	8
Deflector Assembly No. 120-2451	10
Ground Drive Assembly	12
RH Transaxle Assembly No. 136-4102	14
LH Transaxle Assembly No. 136-4103	16
Motion Control Assembly	18
Control Handle Assembly No. 132-5157	20
Control Handle Assembly No. 132-5158	22
Parking Brake Assembly	24
Deck Lift Assembly	26
HOC Lever Assembly No. 130-1755	28
Frame Assembly	30
Wheel, Tire and Bearing Assembly No. 130-4558	32
Platform Assembly	34
Engine Assembly	36
Fuel Tank Assembly	38
Wire Harness Assembly	40
Attachments and Accessories	42

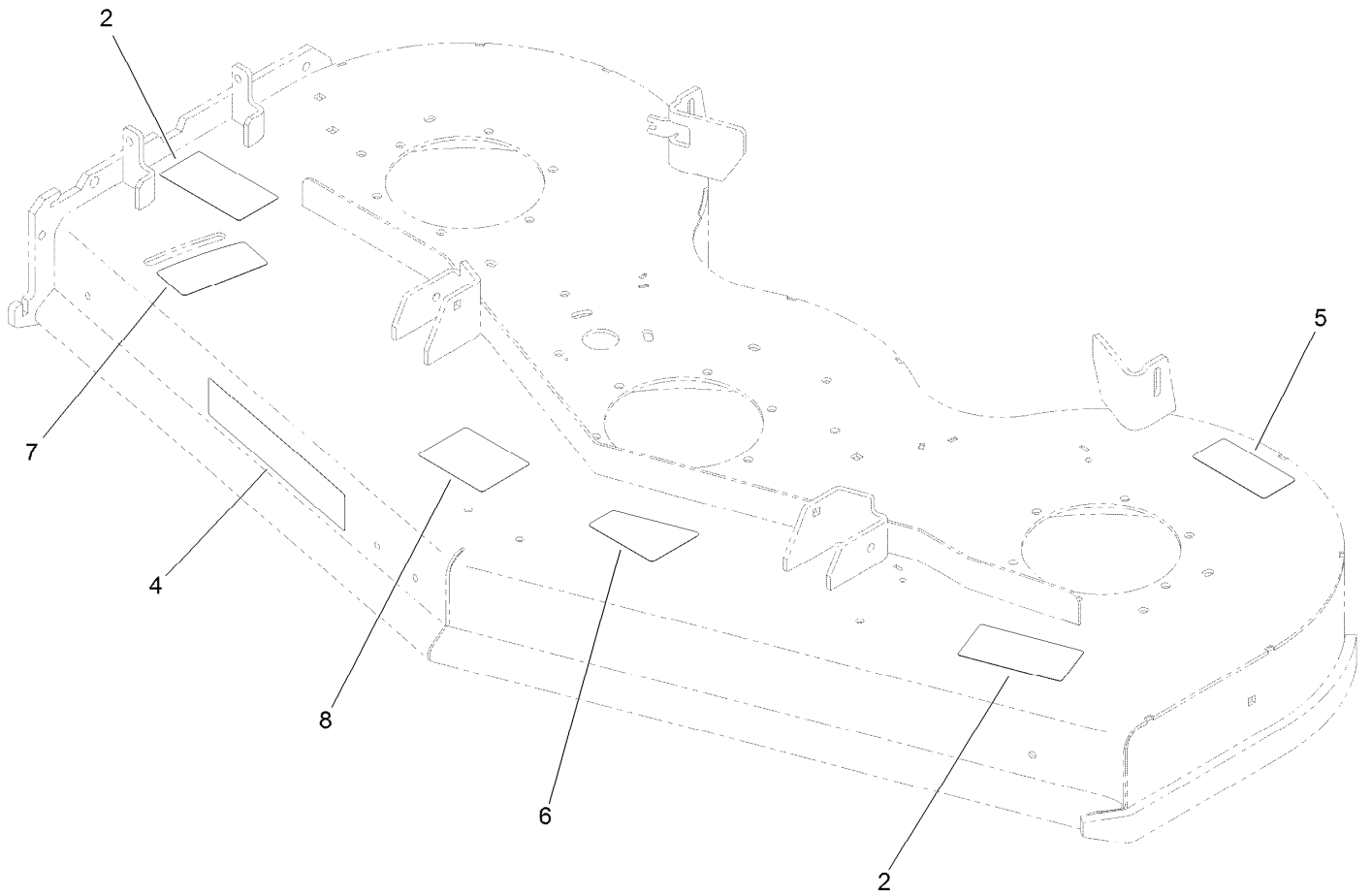
60 Inch Deck Assembly



60 Inch Deck Assembly (continued)

<i>Ref.</i>	<i>Part Number</i>	<i>Qty.</i>	<i>Description</i>	<i>Ref.</i>	<i>Part Number</i>	<i>Qty.</i>	<i>Description</i>
1	127-1941	1	Deck ASM	21	109-6658	2	Nut-Flange, NI
2	127-0560	3	Spindle ASM	22	103-0865	3	Washer-Blade Bolt, Heavy
3	120-6434	3	Pulley	23	51-4060	3	Screw-Blade
4	109-6982	4	Wireform-Cover	24	105-4622	1	Spacer
5	109-6936	2	Cover-Belt, LH	25	322-50	2	Screw-HH
6	114-5204-01	1	Bracket-Wheel, LH	26	104-8300	2	Nut-HF, NI
7	114-5208-01	1	Bracket-Wheel, Center	27	108-4052	1	Spring-Torsion
8	114-5213-01	1	Bracket-Wheel, RH	28	98-7912	2	Tube-Spanner
9	1-603299	4	Roller-Scalp, Anti	29	104-0892	2	Spacer-Axle, Rear
10	117-5758-03	3	Bracket-Cover	30	98-5967	1	Spacer-Wheel
11	117-9701-01	1	Baffle ASM	31	323-23	2	Screw-HH
12	121-1788-01	1	Baffle ASM	32	136-7395	1	Idler Torsion ASM
13	130-6594-01	1	Baffle-Discharge	33	127-1971	1	Pulley-Idler
14	3231-2	9	Bolt-CARR	34	323-14	1	Screw-HH
15	104-8301	56	Nut-HF, NI	35	114-1908-01	1	Skid
16	120-2451	1	Deflector ASM	36	130-6647-01	1	Bracket-Skid
17	105-7718-03	3	Blade-Hi Flow	37	109-2872	1	Spacer-Pulley
18	131-1123	1	Belt-V	38	3231-44	1	Screw-CARR
19	32144-70	3	Screw-HWHTF	39	136-5404	1	Pulley-Idler, Flat
20	92-1624	7	Screw-HWH Thd Form	40	132-5153	1	Shield-Dust

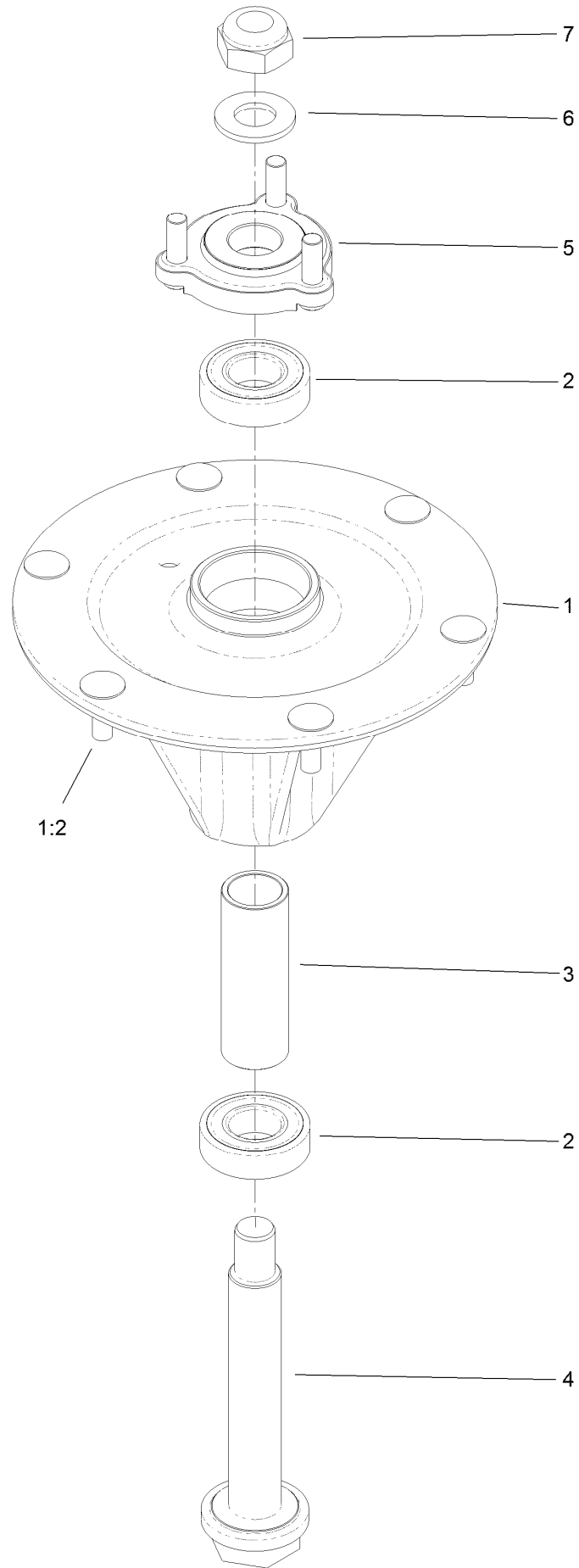
Deck Decal Assembly No. 127-1941



Deck Decal Assembly No. 127-1941 (continued)

<i>Ref.</i>	<i>Part Number</i>	<i>Qty.</i>	<i>Description</i>	<i>Ref.</i>	<i>Part Number</i>	<i>Qty.</i>	<i>Description</i>
2	133-4604	2	Decal-Danger	6	131-3507	1	Decal-Belt, Tension (CE)
4	107-1619	1	Decal	7	131-1180	1	Decal-Adjustment, Baffle
5	93-7818	1	Decal-Torque, Blade Bolt	8	112-3858	1	Decal-Scalp, Anti

Spindle Assembly No. 127-0560



Spindle Assembly No. 127-0560 (continued)

<i>Ref.</i>	<i>Part Number</i>	<i>Qty.</i>	<i>Description</i>	<i>Ref.</i>	<i>Part Number</i>	<i>Qty.</i>	<i>Description</i>
1		1	Spindle Housing ASM W/Studs ●	4	127-0556	1	Shaft-Spindle, Ball Bearing
1:2	114-8195	6	Bolt-Neck, Ribbed	5	127-0557	1	Hub-Spindle (W/Studs)
2	116-0720	2	Bearing-Ball	6	92-5836	1	Washer
3	127-0554	1	Spacer-Bearing	7	3296-67	1	Nut-Lock, NI

● Not serviced separately

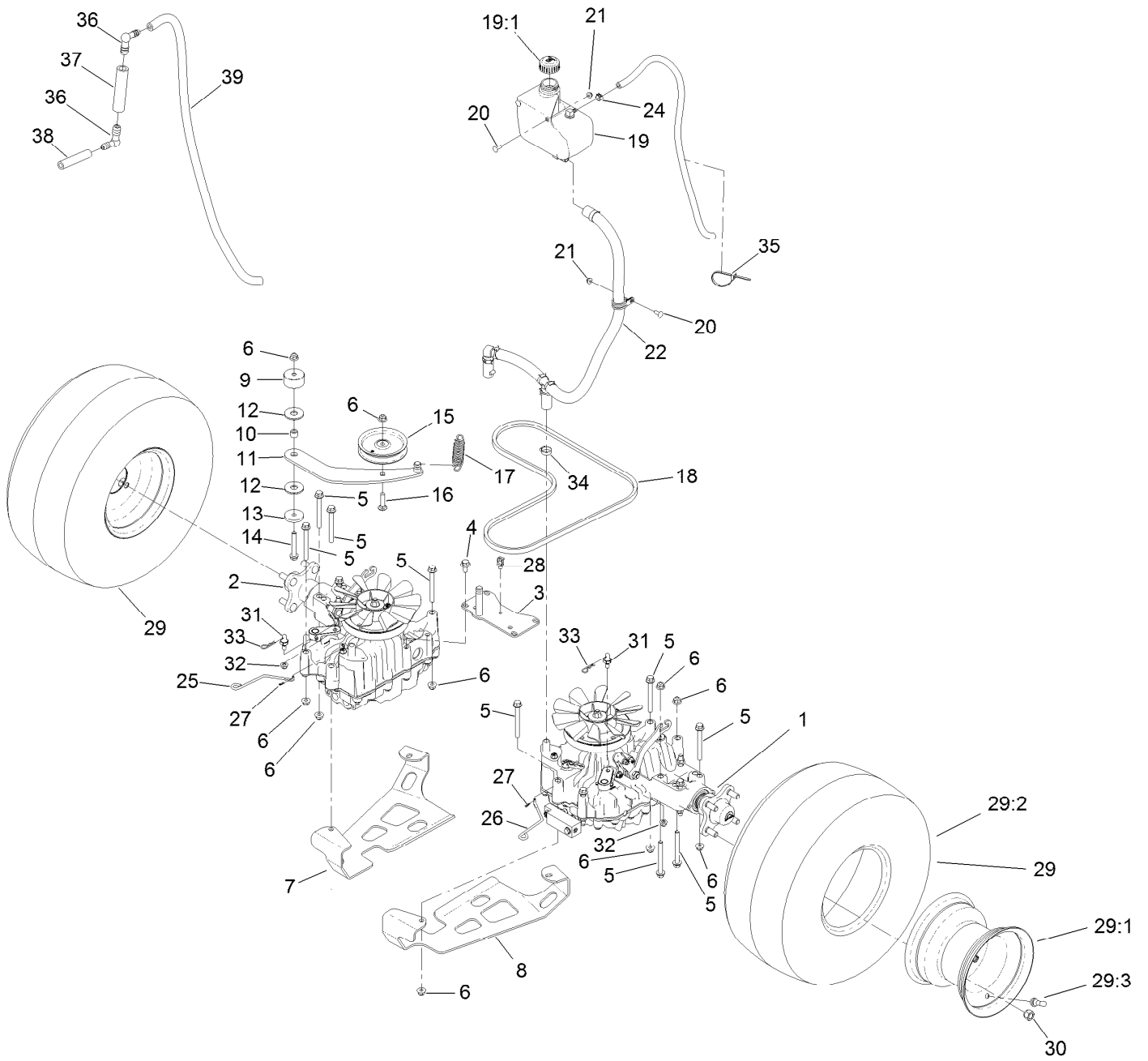
Deflector Assembly No. 120-2451



Deflector Assembly No. 120-2451 (continued)

<i>Ref.</i>	<i>Part Number</i>	<i>Qty.</i>	<i>Description</i>	<i>Ref.</i>	<i>Part Number</i>	<i>Qty.</i>	<i>Description</i>
1	3231-4	4	Screw-CARR	5	108-4059-01	1	Plate-Hinge, Rear
2	106-3246-01	1	Deflector	6	106-3253-01	1	Plate-Hinge, Front
3	106-3248-03	1	Strap-Discharge	7	104-8301	4	Nut-HF, NI
4	110-0759	1	Deflector-Rubber				

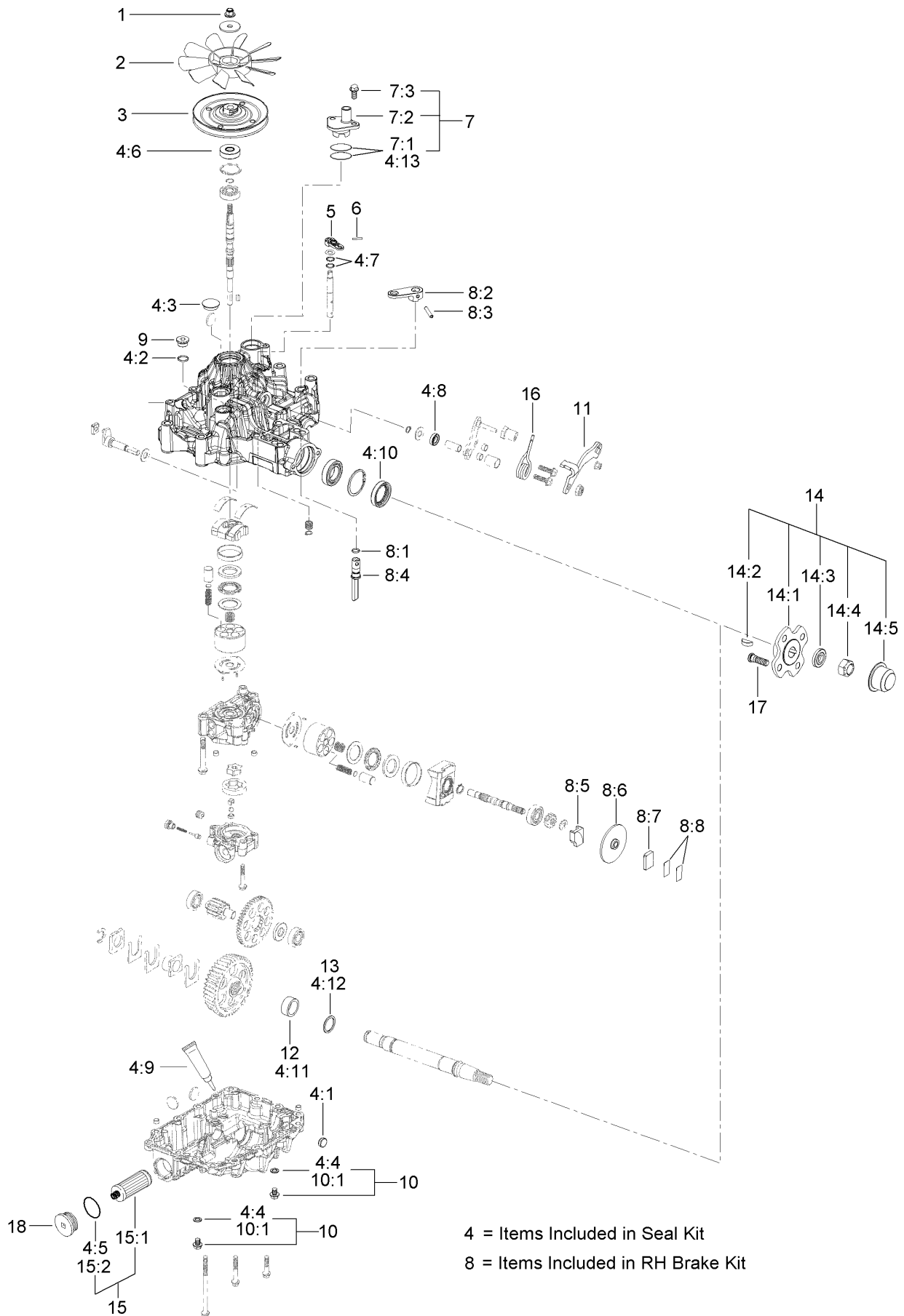
Ground Drive Assembly



Ground Drive Assembly (continued)

<i>Ref.</i>	<i>Part Number</i>	<i>Qty.</i>	<i>Description</i>	<i>Ref.</i>	<i>Part Number</i>	<i>Qty.</i>	<i>Description</i>
1	136-4103	1	LH Transmission ASM	20	3229-25	3	Screw-CARR
2	136-4102	1	RH Transmission ASM	21	104-7201	3	Nut-HF, NI
3	131-1131-03	1	Support-Transaxle	22	131-7427	1	HYD Hose ASM
4	93-2569	4	Screw-HHF	24	92-2379	1	Clamp-Hose
5	116-4701	16	Screw-HHF	25	131-7469	1	Rod-Bypass, RH
6	104-8301	18	Nut-HF, NI	26	131-7470	1	Rod-Bypass, LH
7	131-7405-03	1	Plate-Skid, Transmission (RH)	27	108-2992	2	Pin-Hair
8	131-7404-03	1	Plate-Skid, Transmission (LH)	28	32180-030	1	Clip-Tie
9	117-5351	1	Spacer	29	130-4561	2	Wheel And Tire ASM
10	1-413088	1	Bushing-Lever, Lift	29:1	130-4564	1	Rim-8 Inch, Gray
11	131-1175	1	Arm-Idler	29:2	120-6466	1	Tire
12	114-0463	2	Washer-Friction, Composite	29:3	232-27	1	Stem-Valve
13	110-9981	1	Washer-Plain	30	242-50	8	Nut-Lug
14	3234-39	1	Screw-HHF	31	132-7584	2	Spacer-Hex
15	93-1622	1	Pulley-Idler	32	104-8300	2	Nut-HF, NI
16	3231-4	1	Screw-CARR	33	3290-250	2	Pin-Cotter
17	138-1104	1	Spring-Extension	34	2412-141	2	Clamp-Drive, Worm
18	131-1124	1	Belt-V	35	3290-378	1	Tie-Cable
19	132-1135	1	Tank-HYD	36	136-1290	2	Fitting-Elbow 90
19:1	133-8677	1	Cap-Vented	37	83-2080	1	Hose-Valve, Tank
				38	133-0223	1	Hose-Fuel
				39	110-3257	1	Hose-Fuel

RH Transaxle Assembly No. 136-4102



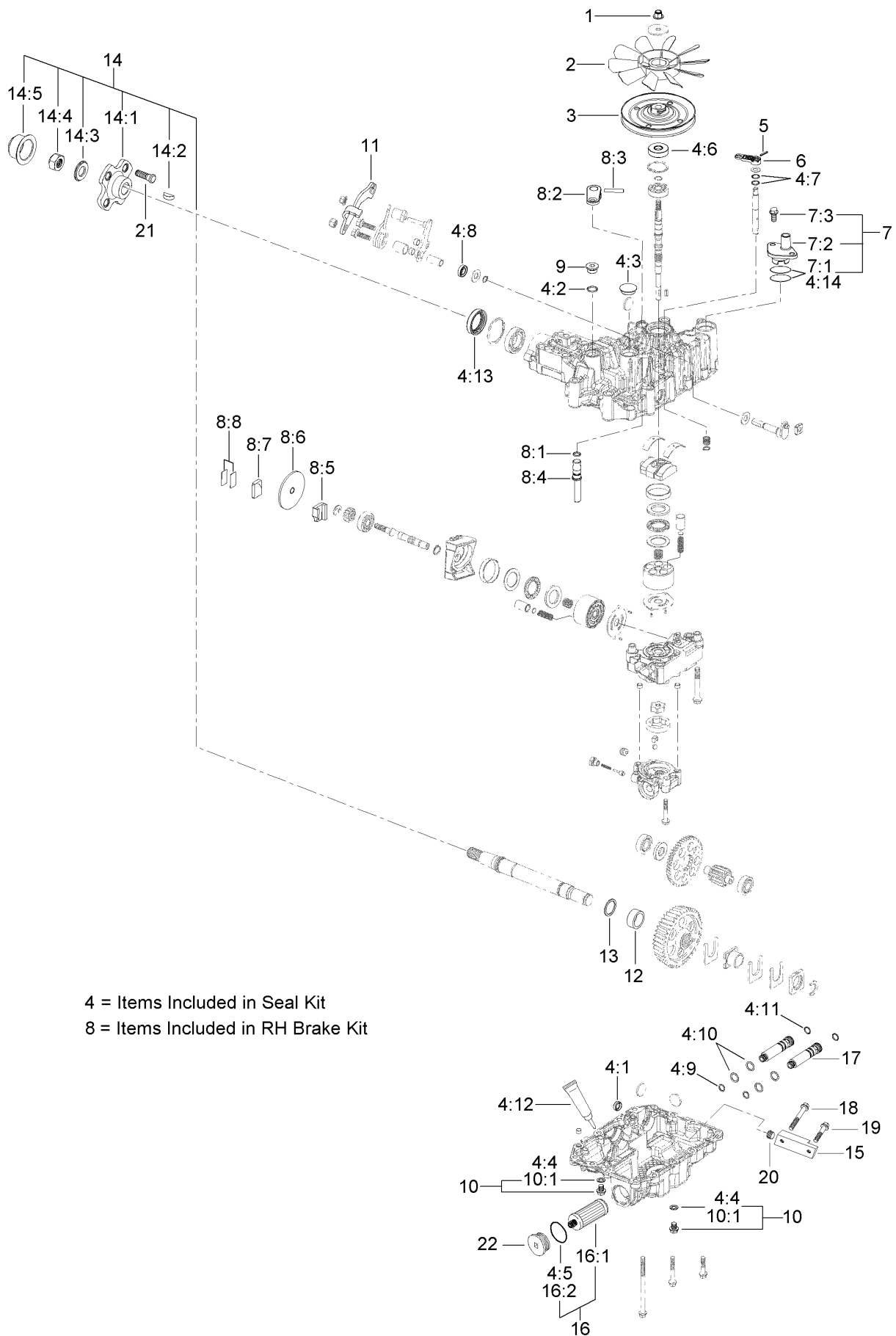
RH Transaxle Assembly No. 136-4102 (continued)

<i>Ref.</i>	<i>Part Number</i>	<i>Qty.</i>	<i>Description</i>	<i>Ref.</i>	<i>Part Number</i>	<i>Qty.</i>	<i>Description</i>
1	132-4737	1	Nut-Lock	8:3		1	Pin-Roll ■
2	132-4738	1	Fan	8:4		1	Shaft-Brake ■
3	132-4739	1	Pulley	8:5		1	Actuator-Brake ■
4	138-4628	1	Seal Kit	8:6		1	Disc-Brake ■
4:1	100-6926	1	Cap-Sealing	8:7		1	Shoe-Brake ■
4:2	132-4736	1	O-Ring	8:8		1	Shim Kit ■
4:3		1	Cap-Seal ■	9	132-4735	1	Cap-Oil
4:4		2	Seal-Washer ■	10	132-4746	1	Drain Bolt Kit
4:5		1	Packing ■	10:1		1	Seal-Washer ■
4:6	132-4744	1	Seal-Shaft	11	136-5401	1	Lever-Control, RH
4:7		2	O-Ring ■	12	132-4747	1	Sleeve
4:8		1	Seal-Oil ■	13	132-4748	1	Washer
4:9	121-0959	1	Sealant	14	136-5406	1	Axle Flange Kit
4:10	132-4745	1	Seal-Axle	14:1		1	Flange ■
4:11	132-4747	1	Sleeve	14:2		1	Key-Woodruff ■
4:12	132-4748	1	Washer	14:3		1	Washer ■
4:13		1	Packing ■	14:4	137-4128	1	Nut-Lock
5	104-3265	1	Pin	14:5		1	Nut-Cap ■
6	132-4700	1	Lever-Bypass	14:6	139-5588	1	Axle ●
7	133-1461	1	Expansion Fitting Kit	15	132-4743	1	Hydro Filter Kit
7:1	136-4051	2	Seal-Fitting, Expansion	15:1	136-5409	2	Filter
7:2		1	Fitting ■	15:2	136-5410	2	O-Ring
7:3		1	Bolt-Flange ■	16	137-4109	1	Spring-Torsion
8	133-1462	1	RH Brake Kit	17	137-9509	4	Stud-Wheel
8:1		1	O-Ring ■	18	138-4613	1	Cap-Oil Filter
8:2		1	Arm-Brake ■				

● Not illustrated

■ Not serviced separately

LH Transaxle Assembly No. 136-4103



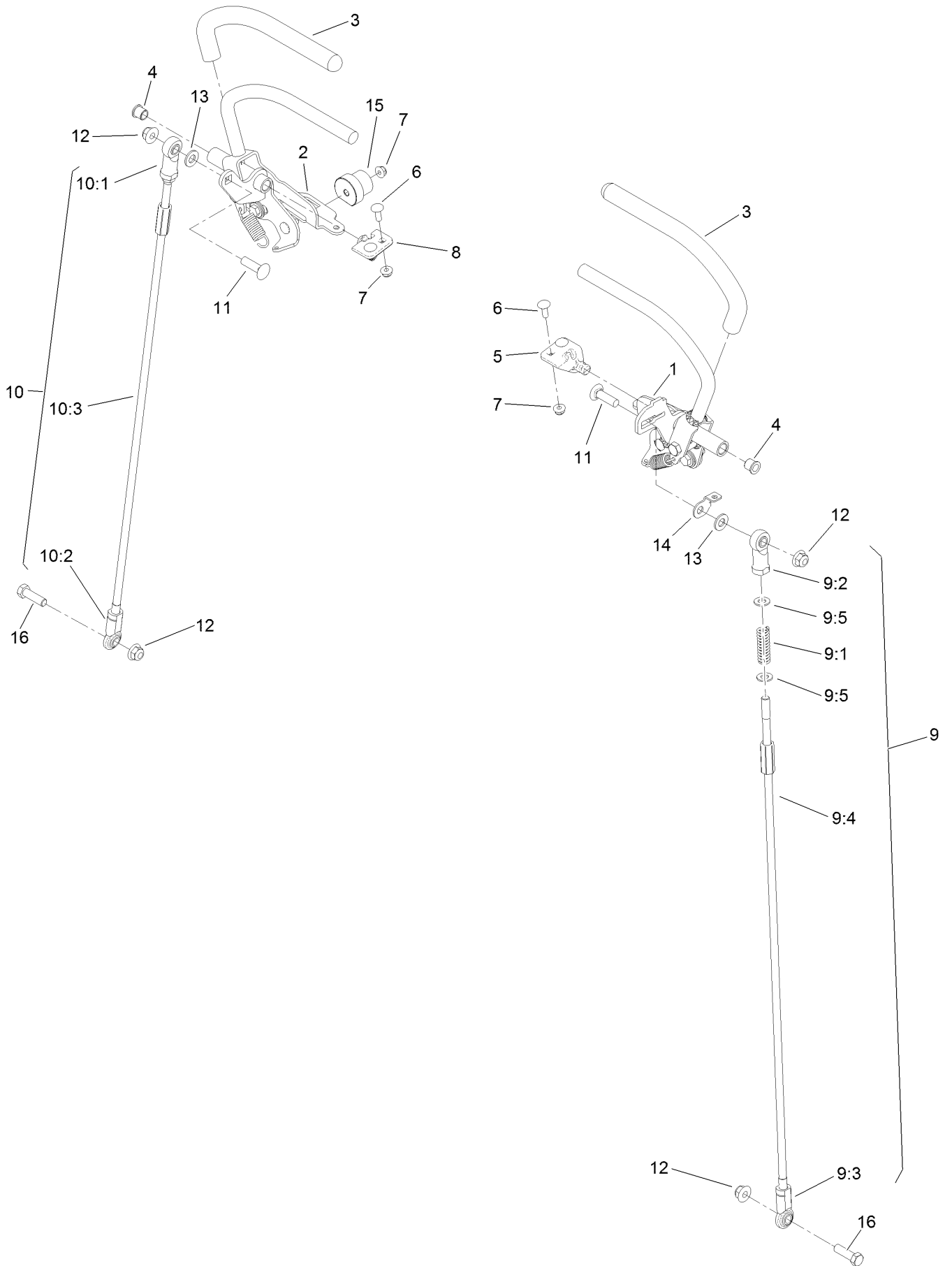
LH Transaxle Assembly No. 136-4103 (continued)

<i>Ref.</i>	<i>Part Number</i>	<i>Qty.</i>	<i>Description</i>	<i>Ref.</i>	<i>Part Number</i>	<i>Qty.</i>	<i>Description</i>
1	132-4737	1	Nut-Lock	8:4		1	Shaft-Brake ■
2	132-4738	1	Fan	8:5		1	Actuator-Brake ■
3	132-4739	1	Pulley	8:6		1	Disc-Brake ■
4	136-5407	1	Seal Kit	8:7		1	Shoe-Brake ■
4:1	100-6926	1	Cap-Sealing	8:8		1	Shim Kit ■
4:2	132-4736	1	O-Ring	9	132-4735	1	Cap-Oil
4:3		1	Cap-Seal ■	10	132-4746	1	Drain Bolt Kit
4:4		2	Seal-Washer ■	10:1		1	Seal-Washer ■
4:5		1	Packing ■	11	136-5401	1	Lever-Control, RH
4:6	132-4744	1	Seal-Shaft	12	132-4747	1	Sleeve
4:7		2	O-Ring ■	13	132-4748	1	Washer
4:8		1	Seal-Oil ■	14	136-5406	1	Axle Flange Kit
4:9		2	O-Ring ■	14:1		1	Flange ■
4:10		4	O-Ring ■	14:2		1	Key-Woodruff ■
4:11		2	O-Ring ■	14:3		1	Washer ■
4:12	121-0959	1	Sealant	14:4	137-4128	1	Nut-Lock
4:13	132-4745	1	Seal-Axle	14:5		1	Nut-Cap ■
4:14		1	Packing ■	14:6	139-5588	1	Axle ●
5	104-3265	1	Pin	15	136-5408	1	Manifold
6	132-4700	1	Lever-Bypass	16	132-4743	1	Hydro Filter Kit
7	133-1461	1	Expansion Fitting Kit	16:1	136-5409	2	Filter
7:1	136-4051	2	Seal-Fitting, Expansion	16:2	136-5410	2	O-Ring
7:2		1	Fitting ■	17	137-4107	2	Connector
7:3		1	Bolt-Flange ■	18	125-7222	1	Bolt
8	133-1468	1	Brake Kit,Left	19	33104-045	1	Screw-HHF
8:1		1	O-Ring ■	20	93-0474	1	Plug
8:2		1	Arm-Brake ■	21	137-9509	4	Stud-Wheel
8:3		1	Pin-Roll ■	22	138-4613	1	Cap-Oil Filter

● Not illustrated

■ Not serviced separately

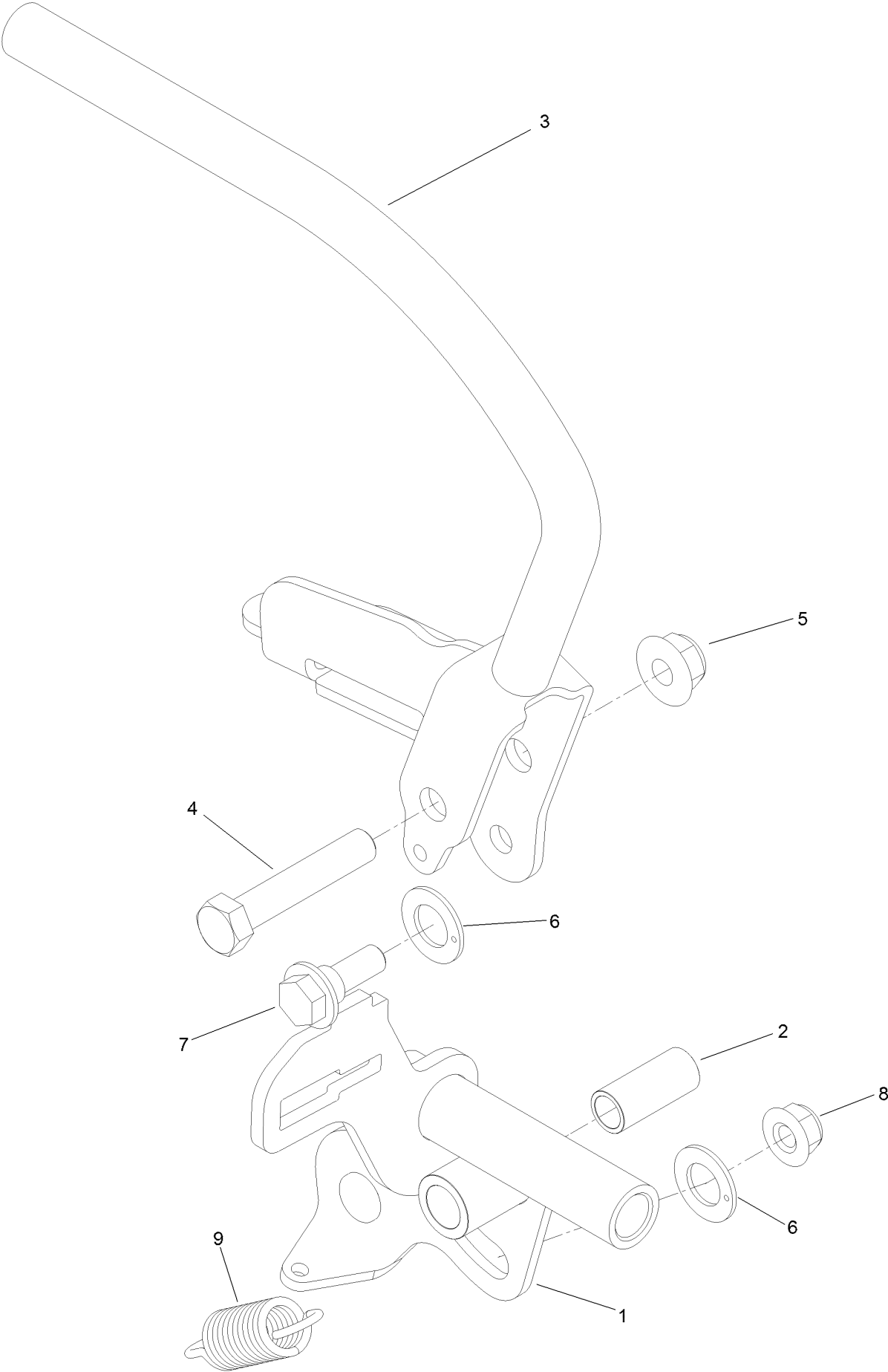
Motion Control Assembly



Motion Control Assembly (continued)

<i>Ref.</i>	<i>Part Number</i>	<i>Qty.</i>	<i>Description</i>	<i>Ref.</i>	<i>Part Number</i>	<i>Qty.</i>	<i>Description</i>
1	132-5157	1	LH Control Handle ASM	9:4	132-7515	1	Rod-Control
2	132-5158	1	RH Control Handle ASM	9:5	3256-45	2	Washer-Flat
3	119-0222	2	Grip	10	130-1807	1	RH Control Rod ASM
4	103-9928	2	Bearing	10:1	92-7008	1	End-Rod, Female
5	120-3288	1	Tab-Pivot, LH	10:2	103-1167	1	Joint-Ball End, LH
6	3229-1	4	Screw-CARR	10:3	132-7515	1	Rod-Control
7	104-7201	6	Nut-HF, NI	11	3231-28	2	Screw-CARR
8	120-3287	1	Tab-Pivot, RH	12	104-8301	4	Nut-HF, NI
9	130-1803	1	LH Control Rod ASM	13	3256-24	2	Washer-Plain
9:1	1-603807	1	Spring-Return, Neutral	14	132-7538	1	Bracket-Adjustment, Speed
9:2	92-7008	1	End-Rod, Female	15	126-1499	2	Cam
9:3	103-1167	1	Joint-Ball End, LH	16	323-7	2	Screw-HH

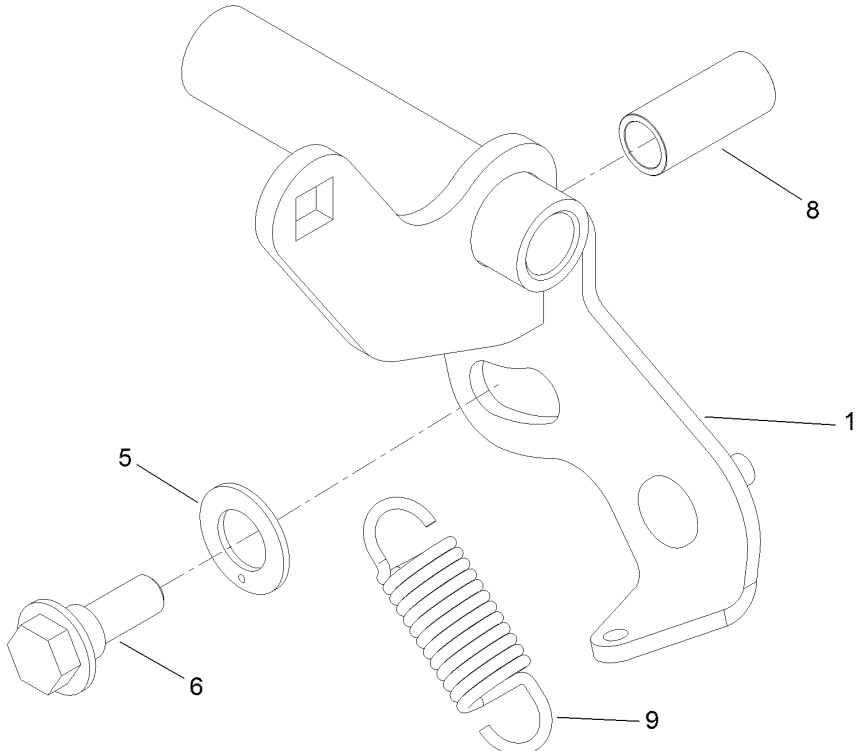
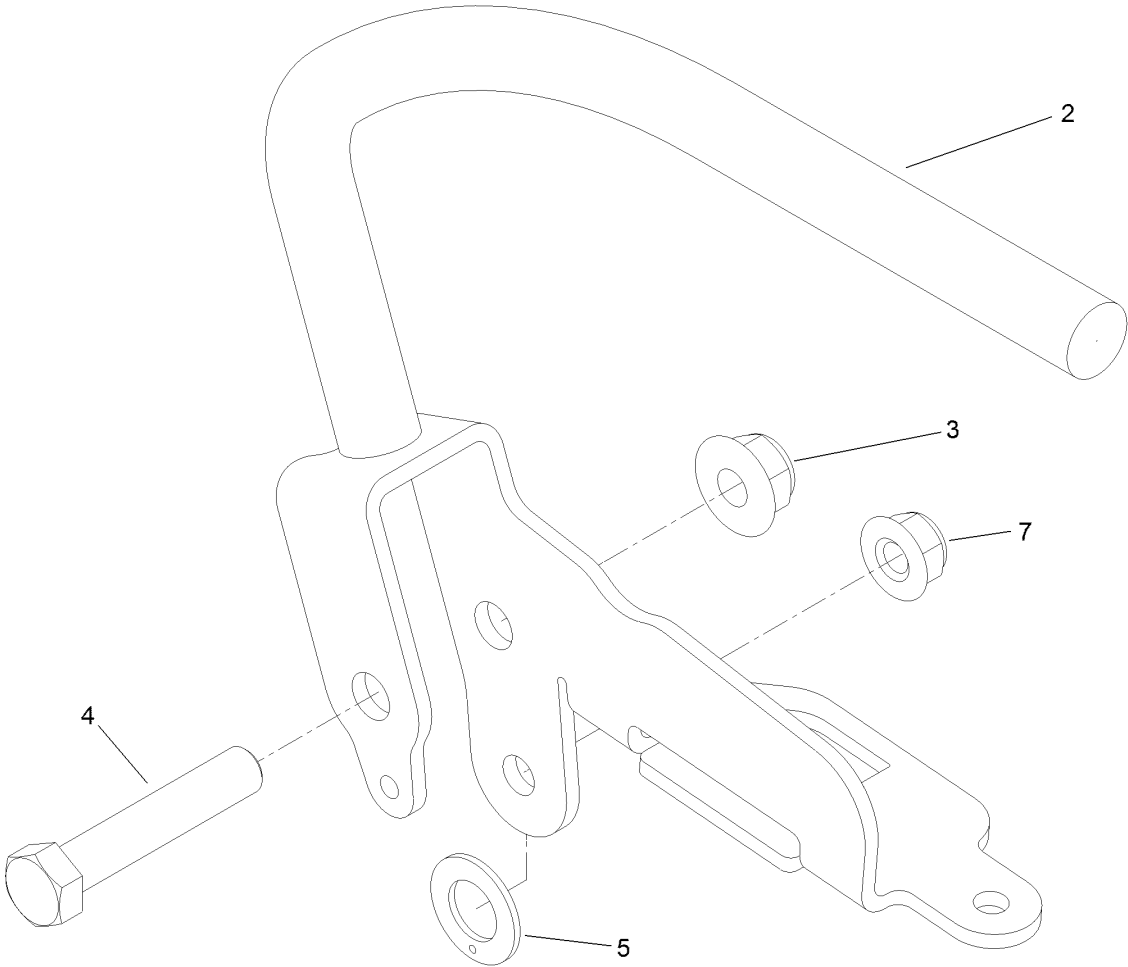
Control Handle Assembly No. 132-5157



Control Handle Assembly No. 132-5157 (continued)

<i>Ref.</i>	<i>Part Number</i>	<i>Qty.</i>	<i>Description</i>	<i>Ref.</i>	<i>Part Number</i>	<i>Qty.</i>	<i>Description</i>
1	132-5115	1	Pivot-Control, Motion (LH)	6	110-7191	2	Washer-Thrust
2	131-3562	1	Bearing-Sleeve	7	116-2670	1	Screw-Shoulder
3	132-5114-03	1	Lever-LH	8	104-8300	1	Nut-HF, NI
4	323-10	1	Screw-HH	9	132-5146	1	Spring-Extension
5	104-8301	1	Nut-HF, NI				

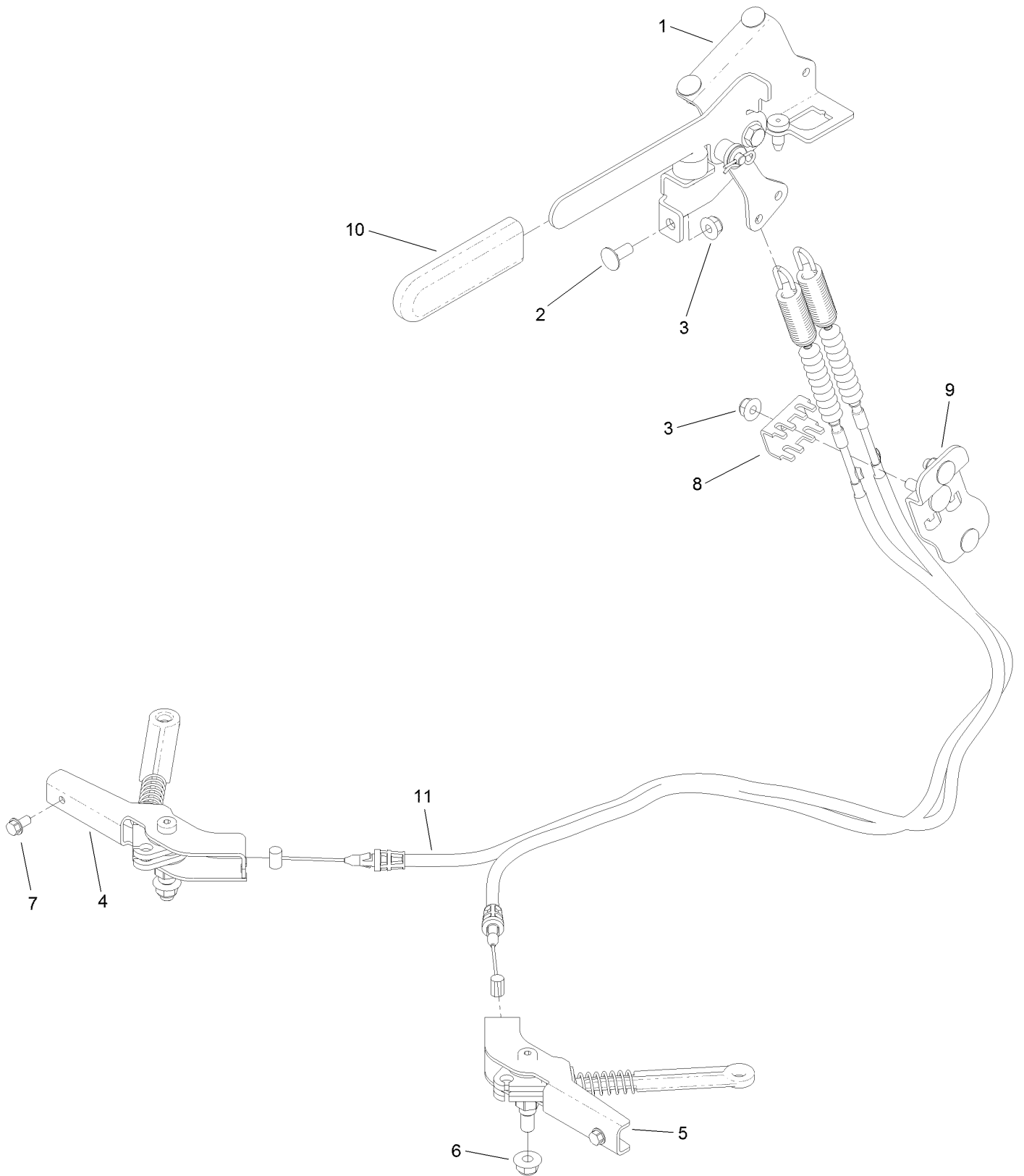
Control Handle Assembly No. 132-5158



Control Handle Assembly No. 132-5158 (continued)

<i>Ref.</i>	<i>Part Number</i>	<i>Qty.</i>	<i>Description</i>	<i>Ref.</i>	<i>Part Number</i>	<i>Qty.</i>	<i>Description</i>
1	120-8490	1	Pivot-Control, Motion (RH)	6	116-2670	1	Screw-Shoulder
2	130-1825-03	1	Lever-RH	7	104-8300	1	Nut-HF, NI
3	104-8301	1	Nut-HF, NI	8	131-3562	1	Bearing-Sleeve
4	323-10	1	Screw-HH	9	132-5146	1	Spring-Extension
5	110-7191	2	Washer-Thrust				

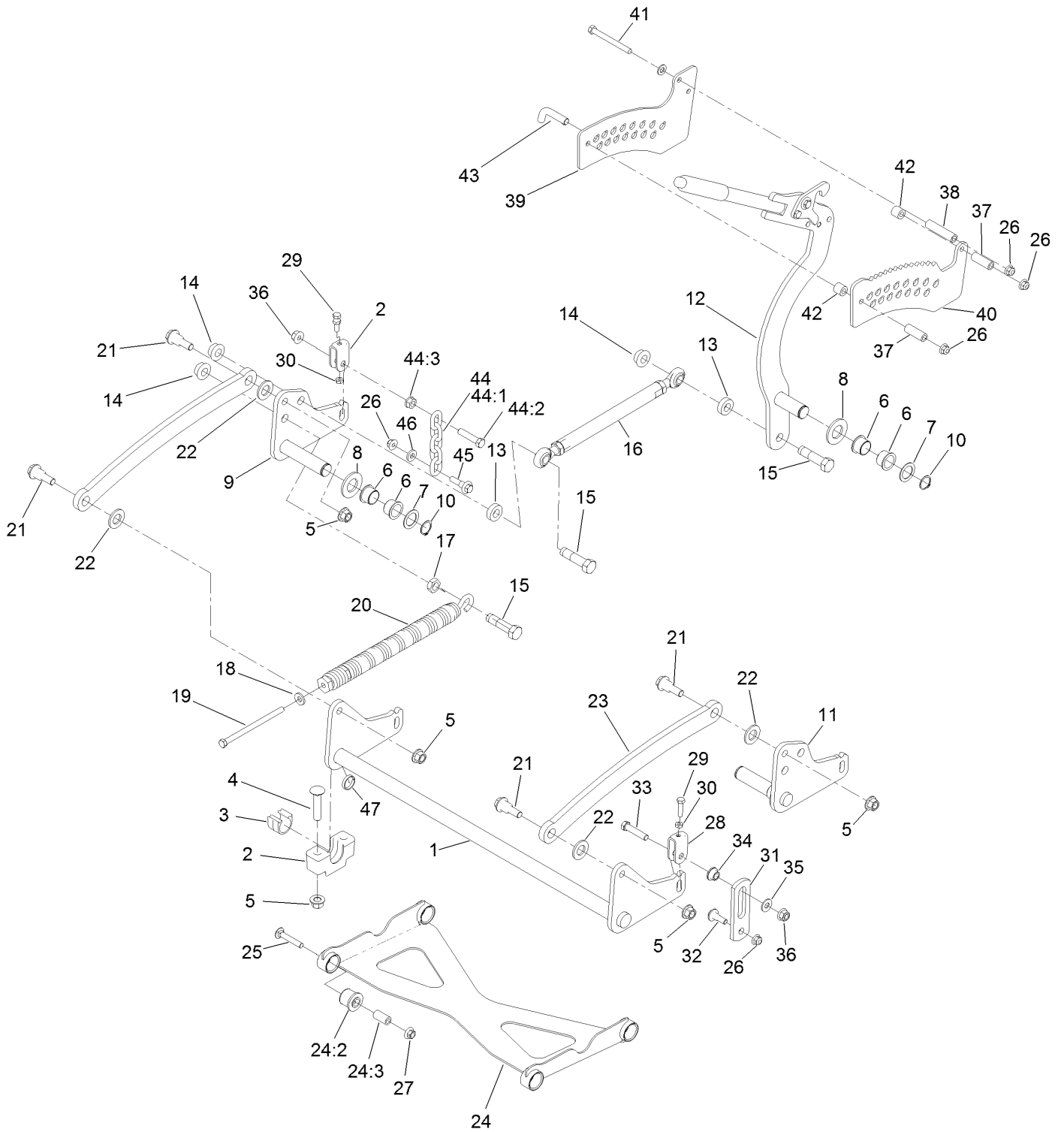
Parking Brake Assembly



Parking Brake Assembly (continued)

<i>Ref.</i>	<i>Part Number</i>	<i>Qty.</i>	<i>Description</i>	<i>Ref.</i>	<i>Part Number</i>	<i>Qty.</i>	<i>Description</i>
1	132-5170	1	Brake Handle ASM	7	32144-4	2	Screw-HWH
2	3230-23	5	Bolt-CARR	8	132-1187	1	Clamp-Cable
3	104-8300	6	Nut-HF, NI	9	132-7582	1	Mount-Cable, Brake
4	132-5168	1	RH Brake Caliper ASM	10	1-633268	1	Grip-Lever
5	132-5169	1	LH Brake Caliper ASM	11	131-1195	2	Cable-Brake
6	104-8301	2	Nut-HF, NI				

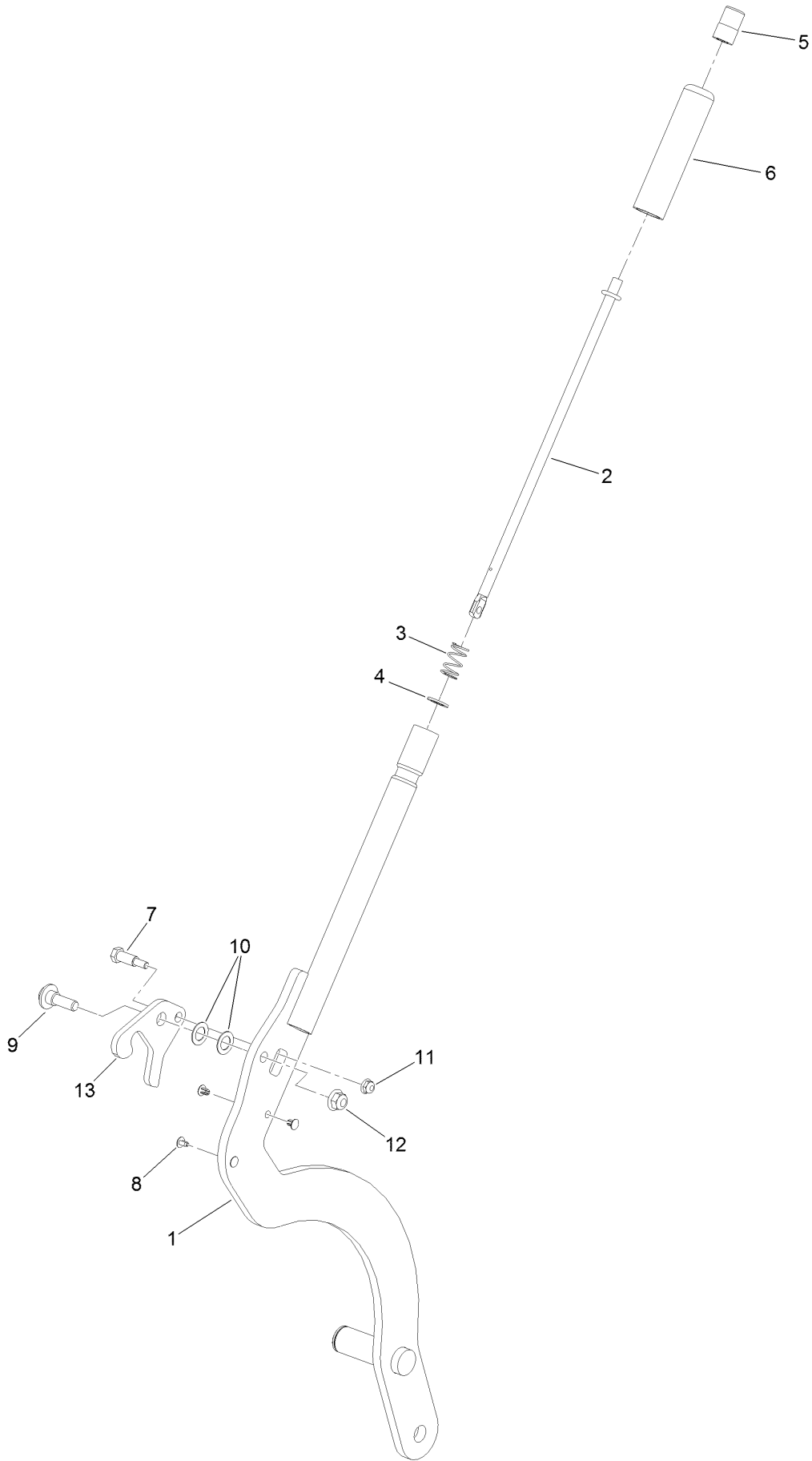
Deck Lift Assembly



Deck Lift Assembly (continued)

<i>Ref.</i>	<i>Part Number</i>	<i>Qty.</i>	<i>Description</i>	<i>Ref.</i>	<i>Part Number</i>	<i>Qty.</i>	<i>Description</i>
1	120-8405-01	1	Shaft-Cross, Front	25	3231-7	4	Screw-CARR
2	109-9409	2	Support-Bearing, Cross Shaft (Front)	26	104-8301	7	Nut-HF, NI
3	109-9410	2	Bearing-Cross Shaft, Front	27	32128-19	4	Nut-HF Lock, Large Flg
4	116-1700	4	Bolt-CARR	28	109-9066	4	Yoke-Adjust, Deck
5	99-5107	8	Nut-Lock	29	322-47	4	Screw-HH
6	127-0369	6	Bushing	30	3218-2	8	Nut-Hex Jam
7	10-8110	3	Washer-Thrust	31	130-6589	2	Link-Lift
8	3256-62	3	Washer-Flat	32	109-9840	2	Screw-Shoulder, HHF
9	127-0616-01	1	Arm-Lift, Rear (RH)	33	109-9065	2	Screw-HH
10	32151-29	3	Ring-Retaining	34	116-2428	2	Bushing-Flanged
11	127-0615-01	1	Arm-Lift, Rear (LH)	35	3256-4	2	Washer-Flat
12	130-1755	1	HOC Lever ASM	36	114-8417	4	Nut-HF, NI
13	119-6223	2	Washer	37	104-0151	2	Spacer
14	AU230-42110	3	Nut-Hex, Center Lock	38	84-2350	1	Spacer-Long
15	327-7	3	Screw-HH	39	132-7581	1	HOC Plate And Decal ASM
16	130-6615	1	HOC Link ASM	40	131-1103-01	1	Plate-HOC, Inner
17	3218-6	1	Nut-Jam	41	116-4701	3	Screw-HHF
18	98-5975	1	Washer-Belleville	42	80-7590	2	Spacer
19	323-58	1	Bolt-TAP, HH	43	116-5584	1	Pin-HOC
20	116-0886	1	Spring-Extension	44	116-0756	2	Deck Lift Chain ASM
21	116-0780	4	Screw-Shoulder, HHF	44:1	1-633447	1	Chain-Lift, Deck
22	3256-28	4	Washer-Flat	44:2	109-9065	1	Screw-HH
23	127-1948-03	2	Link-Lift	44:3	32128-37	1	Nut-HF
24	137-4129	1	Deck Strut ASM	45	130-0742	2	Bolt-Shoulder
24:2	137-4108	4	Bushing-Rubber	46	43-0940	2	Spacer
24:3	108-6544	4	Spacer	47	133-1431	1	Spacer-Split

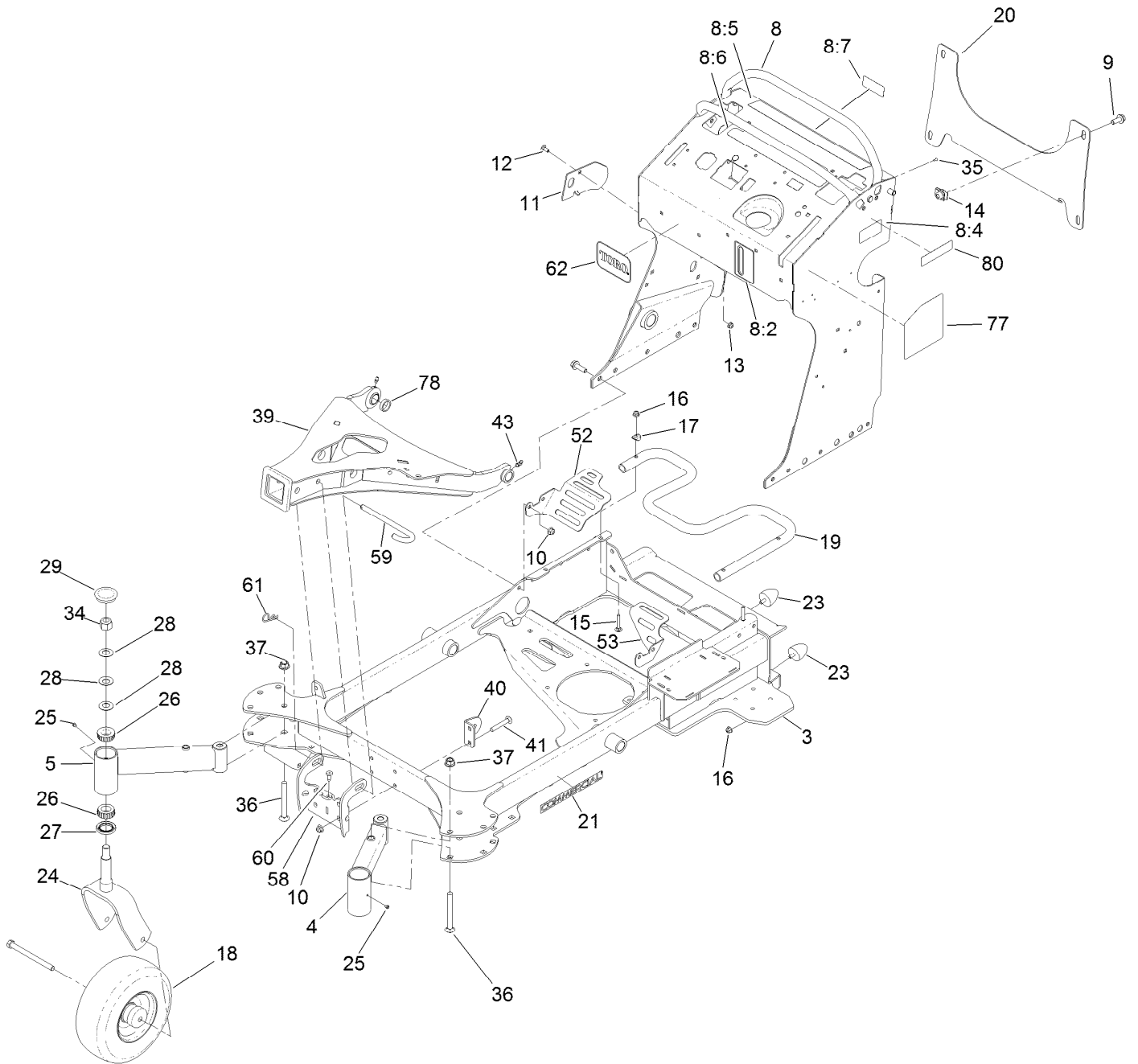
HOC Lever Assembly No. 130-1755



HOC Lever Assembly No. 130-1755 (continued)

<i>Ref.</i>	<i>Part Number</i>	<i>Qty.</i>	<i>Description</i>	<i>Ref.</i>	<i>Part Number</i>	<i>Qty.</i>	<i>Description</i>
1	130-1775-01	1	Lever-Lift	8	103-1363	4	Rivet
2	136-0530	1	Rod-Latch, Release	9	614672	1	Screw-Shoulder, HWH
3	114-8187	1	Spring-Compression	10	98-1629	1	Washer
4	114-1207	1	Washer-Special	11	104-7201	1	Nut-HF, NI
5	115-2750	1	Knob	12	104-8301	1	Nut-HF, NI
6	115-3592	1	Grip	13	131-7452	1	Latch-HOC
7	119-2309	1	Bolt-Shldr,HH				

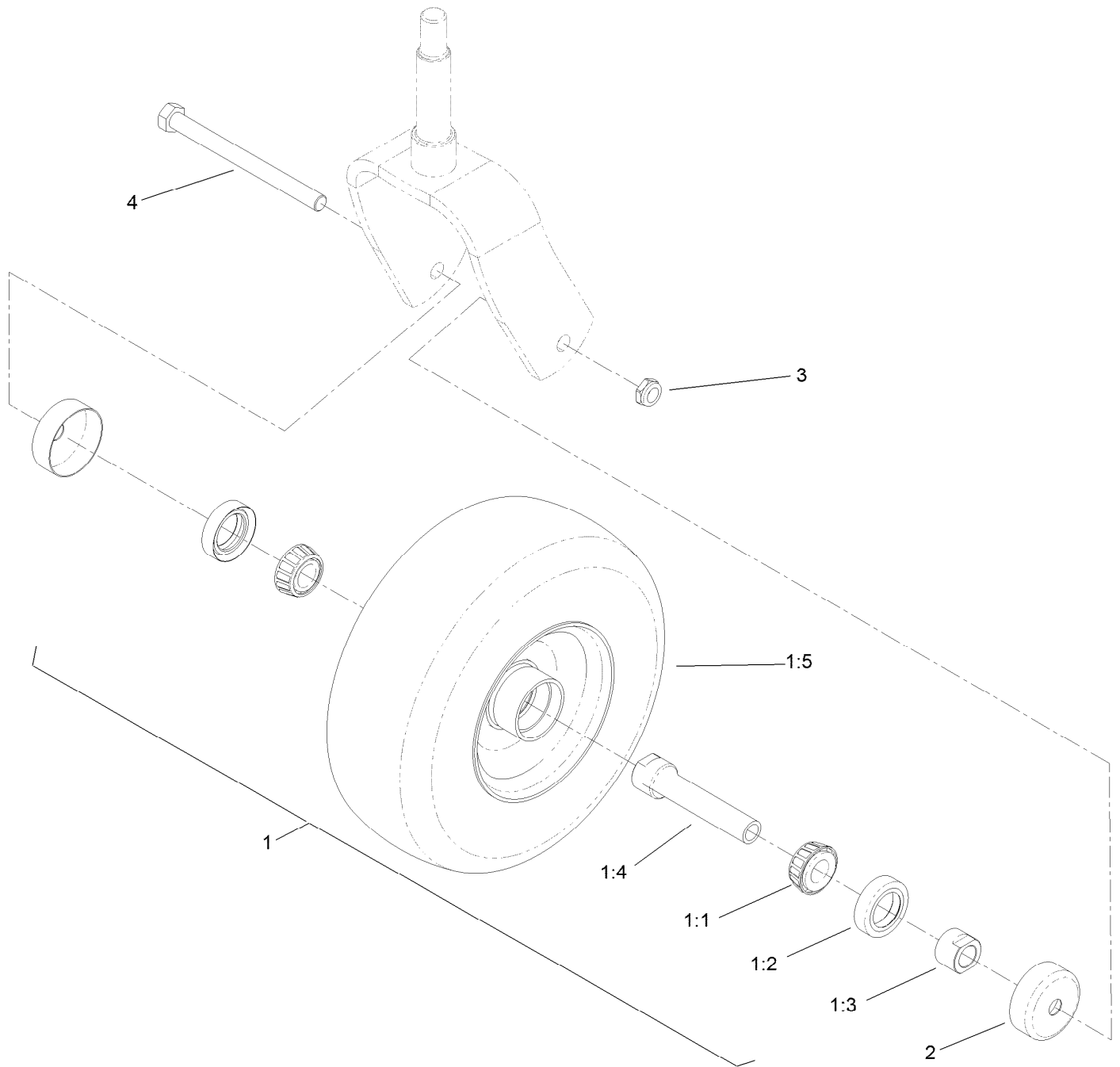
Frame Assembly



Frame Assembly (continued)

<i>Ref.</i>	<i>Part Number</i>	<i>Qty.</i>	<i>Description</i>	<i>Ref.</i>	<i>Part Number</i>	<i>Qty.</i>	<i>Description</i>
3	131-1510-01	1	Frame	24	121-7988-01	2	Fork-Caster
4	131-1521-01	1	Tube-Castor, Short	25	1-811010	2	Plug
5	131-1522-01	1	Tube-Castor, Long	26	1-543509	4	Bearing-Roller, Tapered
8	132-7537	1	Tower Decal ASM	27	116-5647	2	Seal-Grease
8:2	131-3524	1	Decal-Level, Oil	28	1-633508	6	Washer-Bellville
8:4	116-8775	1	Decal-Fill, Fuel	29	103-4882	2	Cap-Grease
8:5	136-5438	1	Decal-Caution	34	3296-51	2	Nut-Lock, NI
8:6	131-3526	1	Decal-Controls	35	3290-271	2	Rivet-Pop
8:7	131-3528	1	Decal-Fuse	36	3233-7	4	Screw-CARR
9	3234-42	4	Screw-HHF	37	99-5107	4	Nut-Lock
10	104-8301	12	Nut-HF, NI	39	133-4662-03	1	A-Frame
11	131-7455	1	Plate-Striker	40	127-0649-01	2	Bracket-Cylinder
12	3229-11	1	Screw-CARR	41	3231-44	4	Screw-CARR
13	104-7201	1	Nut-HF, NI	43	302-40	1	Fitting-Grease, 90 DEG
14	105-4886	4	Nut-Tinnerman	52	132-7578-01	1	Guard-Fan, RH
15	3230-5	3	Bolt-CARR	53	132-7598-01	1	Guard-Fan, LH
16	104-8300	7	Nut-HF, NI	58	133-5320-01	1	Bracket-Lock
17	107-3844	3	Washer	59	133-2021	1	Pin-Hitch
18	130-4558	2	Wheel/Tire And Bearing ASM	60	87-8460	2	Bumper-Rubber
19	132-5161-01	1	Tube-Mount, Fuel Tank	61	92-2762	1	Pin-Hair
20	132-1145-03	1	Bracket-Cross	62	126-5060	1	Decal-Logo, Toro
21	117-3591	2	Decal-Commercial	77	133-4648	1	Decal Service-Multiforce
23	114-1926	4	Bumper-Rubber	78	116-6758	1	Spacer
				80	133-8062	1	Decal-Spark Arrestor

Wheel, Tire and Bearing Assembly No. 130-4558



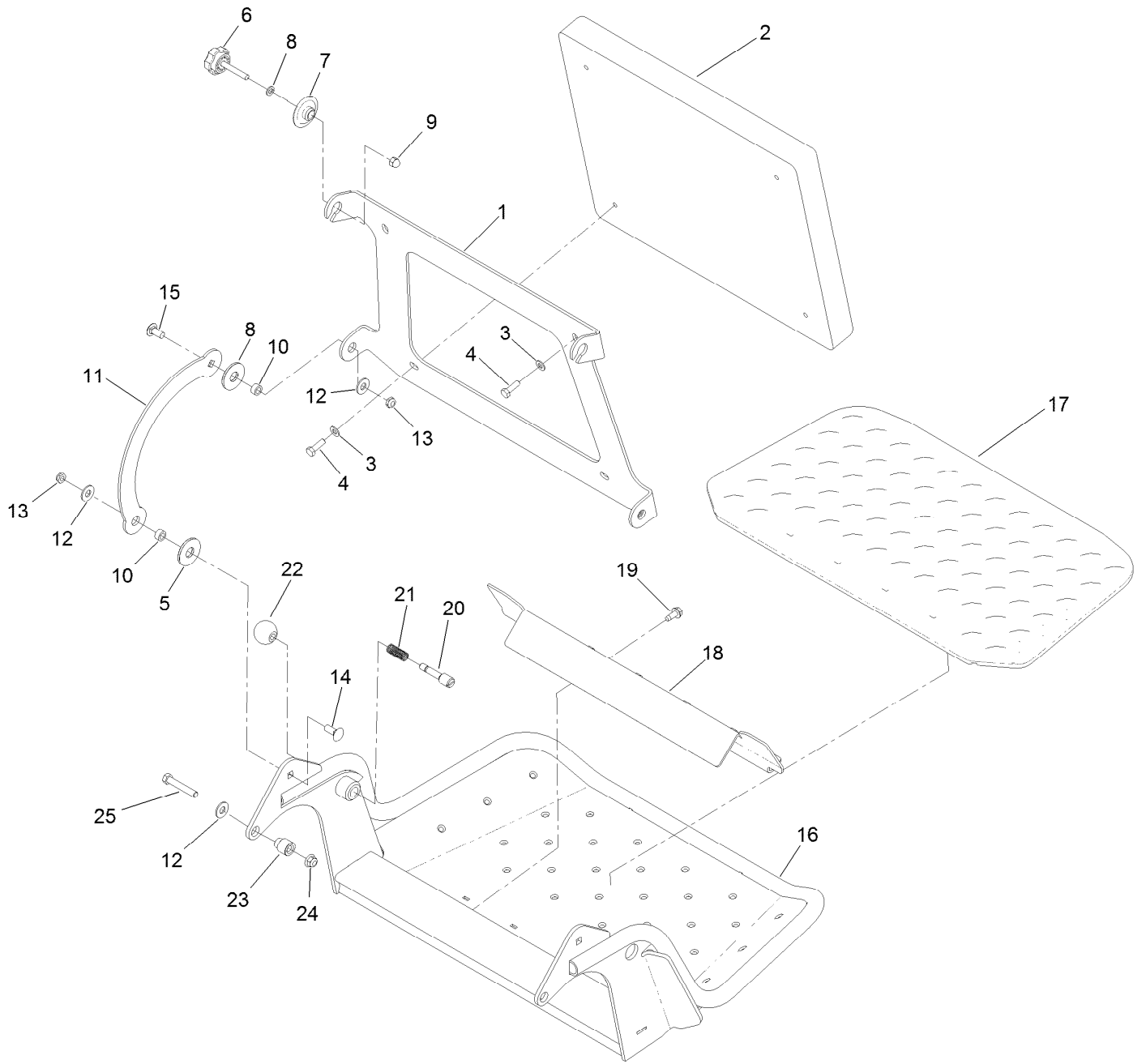
Wheel, Tire and Bearing Assembly No. 130-4558 (continued)

<i>Ref.</i>	<i>Part Number</i>	<i>Qty.</i>	<i>Description</i>	<i>Ref.</i>	<i>Part Number</i>	<i>Qty.</i>	<i>Description</i>
1		1	Wheel And Bearing ASM ●	1:5	130-4563	1	Wheel And Tire ASM
1:1	1-633585	2	Bearing-Cone, Taper	2	103-2768	2	Guard-Seal
1:2	103-0063	2	Seal-Caster	3	3296-45	1	Nut-Hex
1:3	103-3051	1	Spacer-Nut ■	4	325-20	1	Screw-HH
1:4	126-5359	1	Caster Axle ASM				

● Not serviced separately

■ Use Pro-Lock, Nut Type (P/N 1-840022, .5ml tube) on spacer nut

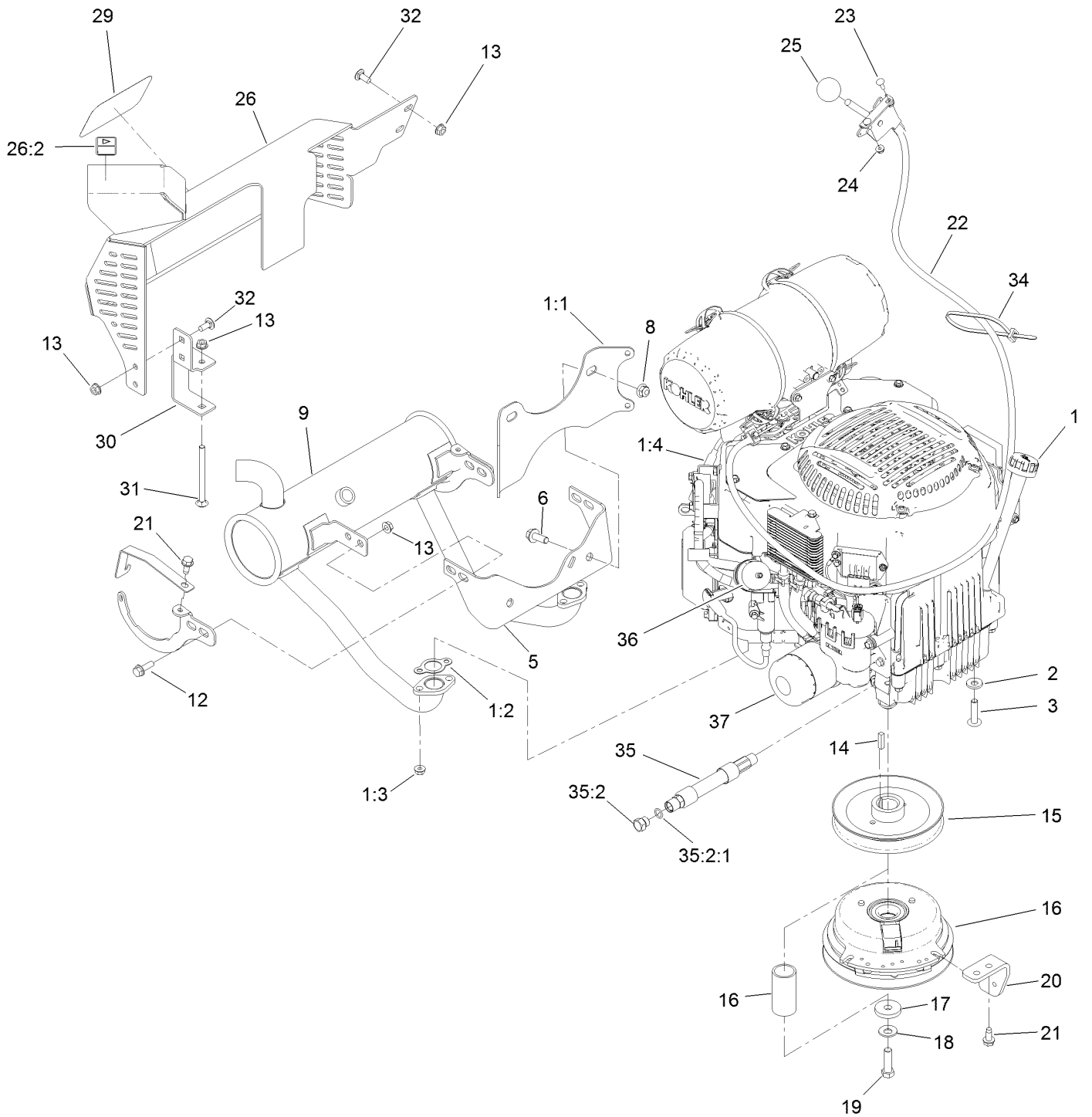
Platform Assembly



Platform Assembly (continued)

<i>Ref.</i>	<i>Part Number</i>	<i>Qty.</i>	<i>Description</i>	<i>Ref.</i>	<i>Part Number</i>	<i>Qty.</i>	<i>Description</i>
1	120-8499-03	1	Hinge-Pad	14	3231-2	2	Bolt-CARR
2	117-9739	1	Pad-Cushion	15	3231-27	2	Screw-CARR
3	3256-23	4	Washer-Plain	16	120-8475-01	1	Platform
4	121-7999	4	Screw-HH, Patch	17	126-7157	1	Mat-Platform
5	114-0463	4	Washer-Friction, Composite	18	3345-771	1	Shield Clamp Kit
6	133-1426	2	Knob	19	32144-70	2	Screw-HWHTF
7	116-2886	2	Slide-Bushing	20	119-8650	1	Pin-Latch
8	3253-4	2	Washer-Lock	21	114-5348	1	Spring
9	131-4535	2	Nut-Acorn	22	1-603175	1	Knob-Ball
10	111044	4	Spacer	23	132-7583	2	Bushing-Flanged
11	114-1915-01	2	Link-Pad	24	104-8301	2	Nut-HF, NI
12	3256-4	6	Washer-Flat	25	323-45	2	Screw-HH
13	3296-59	4	Nut-Lock, NI				

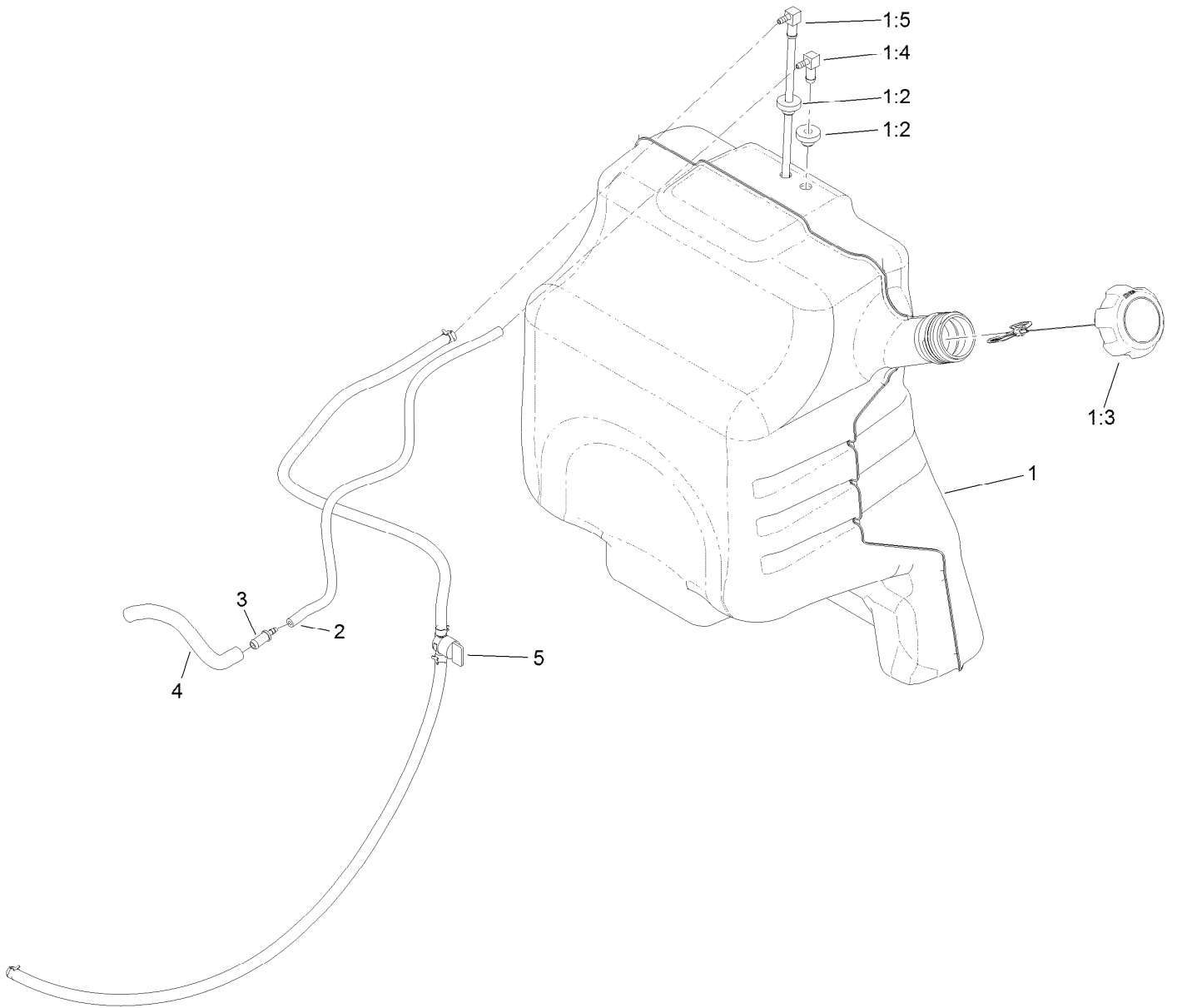
Engine Assembly



Engine Assembly (continued)

<i>Ref.</i>	<i>Part Number</i>	<i>Qty.</i>	<i>Description</i>	<i>Ref.</i>	<i>Part Number</i>	<i>Qty.</i>	<i>Description</i>
1	131-1159	1	Engine-Kohler, Ecv749	20	131-3586-03	1	Stop-Clutch
1:1	131-7400	1	Bracket-Muffler	21	32144-70	4	Screw-HWHTF
1:2	110-6697	2	Gasket-Exhaust	22	132-5152	1	Throttle ASM
1:3	68-9400	4	Nut-Flange	23	1-807533	2	Bolt-CARR
1:4	116-5395	1	Sensor-Oxygen	24	32128-17	2	Nut-Lock, Flange
2	98-5975	4	Washer-Belleville	25	1-603175	1	Knob-Ball
3	126-0983	4	Screw-BHTF	26	131-3550	1	Muffler Guard ASM
5	132-1168	1	Bracket-Muffler	26:2	106-5517	1	Decal-Warning
6	3234-42	2	Screw-HHF	29	94-2579	1	Decal
8	104-8301	2	Nut-HF, NI	30	131-3530-03	1	Bracket-Mounting, Guard
9	133-4634	1	Muffler-Kohler	31	106-9758	1	Screw-CARR
12	3234-17	4	Screw-HHF	32	3230-23	4	Bolt-CARR
13	32128-25	9	Nut-HF	34	3290-378	1	Tie-Cable
14	1-807259	1	Key	35	133-4657	1	Hose ASM
15	120-8498	1	Pulley	35:2	353-508	1	Plug-HH
16	131-1100	1	Clutch	35:2:1	237-42	1	O-Ring
17	107-4136	1	Washer-Flat	36	94-9695	1	Filter-Fuel
18	1-603610	1	Washer-Spring	37	98020	1	Filter-Oil
19	3212-6	1	Screw-HH				

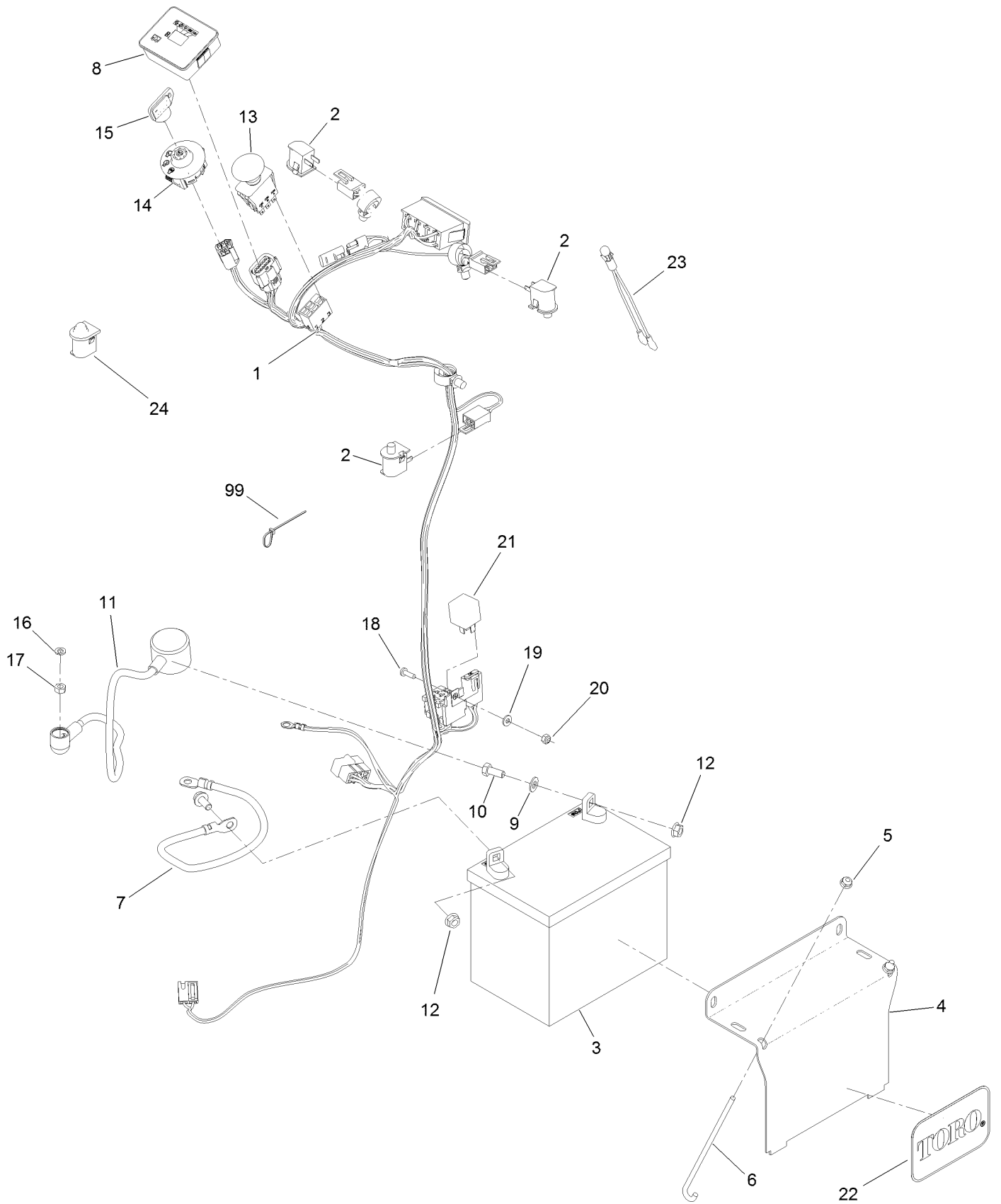
Fuel Tank Assembly



Fuel Tank Assembly (continued)

<i>Ref.</i>	<i>Part Number</i>	<i>Qty.</i>	<i>Description</i>	<i>Ref.</i>	<i>Part Number</i>	<i>Qty.</i>	<i>Description</i>
1	132-7560	1	Fuel Tank ASM	2	110-8255	1	Hose-Fuel
1:2	46-6560	2	Bushing	3	98-2952	1	Fitting-Straight
1:3	137-4127	1	Cap-Fuel	4	132-7576	1	Hose-Fuel
1:4	104-5228	1	Fitting-Elbow, 90 DEG	5	132-7545	1	Fuel Line ASM
1:5	132-7559	1	*obs* Fuel Tube ASM				

Wire Harness Assembly



Wire Harness Assembly (continued)

<i>Ref.</i>	<i>Part Number</i>	<i>Qty.</i>	<i>Description</i>	<i>Ref.</i>	<i>Part Number</i>	<i>Qty.</i>	<i>Description</i>
1	136-5422	1	Harness-Wire	14	137-4101	1	Switch-Ignition
2	82-2190	2	Switch-Bail	15	63-8360	1	Key-Ignition
3	104-8162	1	Battery	16	3253-3	1	Washer-Lock
4	130-6635-01	1	Bracket-Hold Down, Battery	17	3217-5	1	Nut-Hex
5	104-7201	2	Nut-HF, NI	18	3290-500	1	Screw-PPH
6	1-633651	2	Bolt-Holddown	19	3256-14	1	Washer-Flat
7	112-7063	1	Cable-Battery, Black	20	3296-2	1	Nut-Lock, NI
8	130-6570	1	Module-Meter, Hour	21	1-643275	1	Relay
9	3256-23	2	Washer-Plain	22	67-1300	1	Decal
10	322-3	2	Screw-HH	23	1-643267	1	Indicator-LED, Red
11	115-3864	1	Cable-Battery, Positive	24	133-4654	1	Switch-Plunger
12	109-5715	2	Nut-HHF, Smooth	99	3290-378	4	Tie-Cable
13	114-0279	1	Switch-PTO, On-On				

Attachments and Accessories

For 74523 GrandStand Multi Force Mower With 60in TURBO FORCE Cutting Unit

Product Name	Model/Part
Air Cleaner Filter	100-4556
Filter Air Safety	103-1326
Blade-Mid Flow, 20.5in	105-7715-03
Blade-Lo Flow, 20.5in	105-7716-03
Blade-Hi Flow, 20.5in	105-7718-03
Blade-Recycler, 20.5in	105-7777-03
Blade-Atomic, 20.5in	105-8777-03
Turbo Baffle Kit	107-1634
6 Pack Blade, 20.5in Hi-Flow	108-1114
6 Pack-Blade, 20.5in Atomic	108-1115
6 Pack Blade, 20.5in Mid-Flow	108-1123
6 Pack-Blade, 20.5in Lo Flow	108-1128
6 Pack-Blade, 20.5in Recycler	110-0405
15-Pound Cast Weight	112-7059-01
Hypr-Oil 500 (quart)	114-4713
Hypr-Oil 500 (gallon)	114-4714
Hypr-Oil 500-5 (5 gallon)	114-4715
Recycler Kit	115-7468
Brake Hub Puller	116-6518
Harness Wire Splitter	121-5988
Spark Plug	130-8380
Fuel Filter	130-8381
Toro Premium Fuel Treatment 12oz Bottle	131-6572
60 In Blade And Belt Kit	132-4742
Hydro Filter Kit	132-4743
Speed Setting Tool	132-7595
Chute Gate Kit W/ Bag	133-1434
Trash Bag Assembly	133-1435
Roller Striper Kit	133-1436
Light Kit	133-1437
Electric Accessory Port	133-1438
HOC Set Blocks	133-1439
Trimmer Rack	133-1441
Hydro Oil Change Kit	133-1457
Strobe Light Kit	133-1495
5 Gallon Bucket	133-2533
Snow Tires	133-4603
Wheel Weight Kit	133-5386
Quick-Attach-Male	136-0513
Hydraulic Cap Lock Kit	136-5420
Wheel And Bearing Asm	136-5448
Bucket Mount Kit	136-5681
Case Drain Kit	136-7436
Multiforce EC Float Kit	136-8350
Broom Rubber Flap Kit	137-3920

Attachments and Accessories (continued)

Lift Cylinder Lock Kit	137-4106
Pneumatic Castor Wheel Kit	137-4136
Bagger Enhancement Kit	139-1529
Idler Kit, Blower Kit for GrandStand Multi Force Mower	139-1546
Starter Fuse Kit, GrandStand Mower	139-5555
18x8.5n10 X-Tweel Turf	139-7890
6in Hose Kit, E-Z Vac Twin Bagger, 2016 and After Grandstand Mower	139-7930
Blower Upgrade Kit, Twin Bagger, 2016 and After Grandstand Mower	139-7940
Soft Bag (3 Bushel)	30104
10W30 4-Cycle Engine Oil (32oz Bottle)	38280
Toro 4-Cycle SAE 30 Oil (32oz Bottle)	38903
Twin Bagger Kit	78524
Blower Drive 60-in	78527
E-Z Vac Bagger	78570
60in EZ Vac Blower	78576
Pro Force Blower	78593
Grandstand Multi Force Broom	78596
Grandstand Multi Force High-Flow Kit	78601
Dethatcher, 46in Multi Force	78690
Dethatcher Mount	78691
Aerator, 38in Multi Force	78694
Aerator Mount, Multi Force	78695
Leaf Plow Without Mount	78697
Spark Arrestor	98-9099
Filter-Oil	98020
Kit-Grandstand, Filter, Winter	HYD14084
Snow Deflector	MSC04587B
Straight Blade, ATV Plow Shoe Kit	MSC13040
Blade Extension Kit, 6in, stb	MSC13850B
Grandstand Low Flow Hydraulics Kit	MSC13950
Grandstand Side Plow Kit	MSC13960
Blade Crate (Snowplow), ATV Poly S	STB13567B
Urethane Edge Kit	STB13801
Plug-Quick Connect	T56152150
Cap-Connect, Quick	T56152152



Count on it.