



**Count on it.**

**Parts Catalog**

**GrandStand® Mower**

**With 60in TURBO FORCE® Cutting Unit**

Model No. 74513—Serial No. 404314200 and Up



# Ordering Replacement Parts

To order replacement parts, please supply the part number, the quantity, and the description of each part desired.

## Understanding Reference Numbers

Each identified part in an illustration has a reference number. The reference number for a part also appears in the parts list, along with other information about the part.

This catalog uses two special reference number formats, one to indicate parts in a service assembly and another to indicate the quantity of a given part in an illustration.

## Service Assembly Reference Numbers

Parts in service assemblies have reference numbers in the form a:b. The a represents the reference number of the entire service assembly and the b represents a sequential number unique to each part within the service assembly.

For example, a wheel assembly might be identified by reference number 6, the tire by 6:1, the valve by 6:2, and the wheel by 6:3. When you order the assembly identified by reference number 6, you receive all parts identified by reference numbers 6:1, 6:2, and 6:3. However, you may also order any part individually. Reference numbers of this type appear in illustration and in parts lists.

## Reference Numbers Indicating Quantity

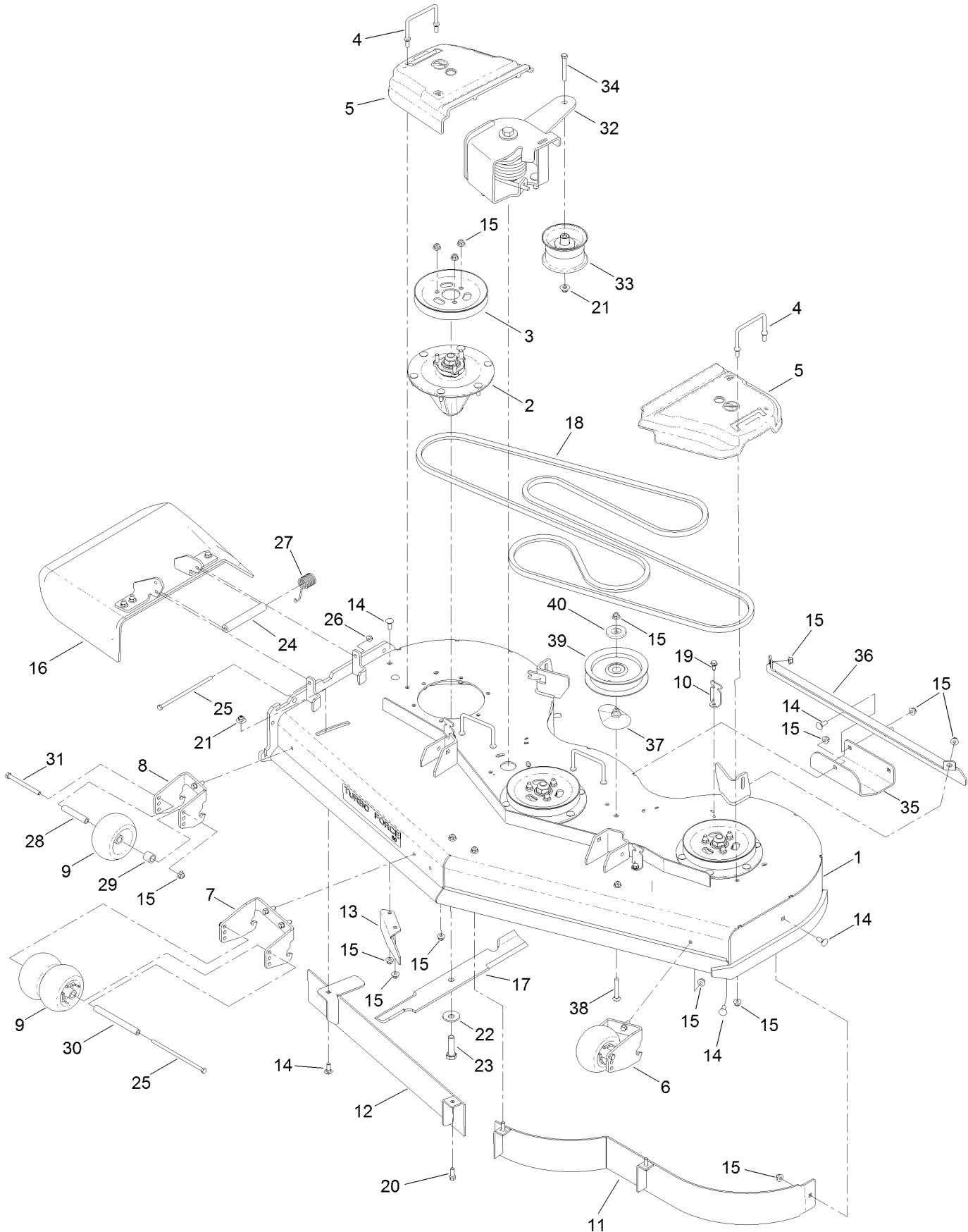
In an illustration, if a reference number indicates more than one part, the reference number has the form nX y. The n represents the quantity of the part, the X is the multiplication symbol, and the y represents the reference number.

For example, in an illustration, the reference number 2X 37 means that two of the parts identified by reference number 37 are indicated.

# Contents

60 Inch Deck Assembly .....	4
Deck Decal Assembly No. 127-1941 .....	6
Spindle Assembly No. 127-0560 .....	8
Deflector Assembly No. 120-2451 .....	10
Ground Drive Assembly .....	12
LH Transaxle Assembly No. 136-4101 .....	14
RH Transaxle Assembly No. 136-4102 .....	16
Motion Control Assembly .....	18
Control Handle Assembly No. 132-5157 .....	20
Control Handle Assembly No. 132-5158 .....	22
Parking Brake Assembly .....	24
Deck Lift Assembly .....	26
HOC Lever Assembly No. 130-1755 .....	28
Frame Assembly .....	30
Wheel, Tire and Bearing Assembly No. 130-4558 .....	32
Platform Assembly .....	34
Engine Assembly .....	36
Fuel Tank Assembly .....	38
Wire Harness Assembly .....	40
Attachments and Accessories .....	42

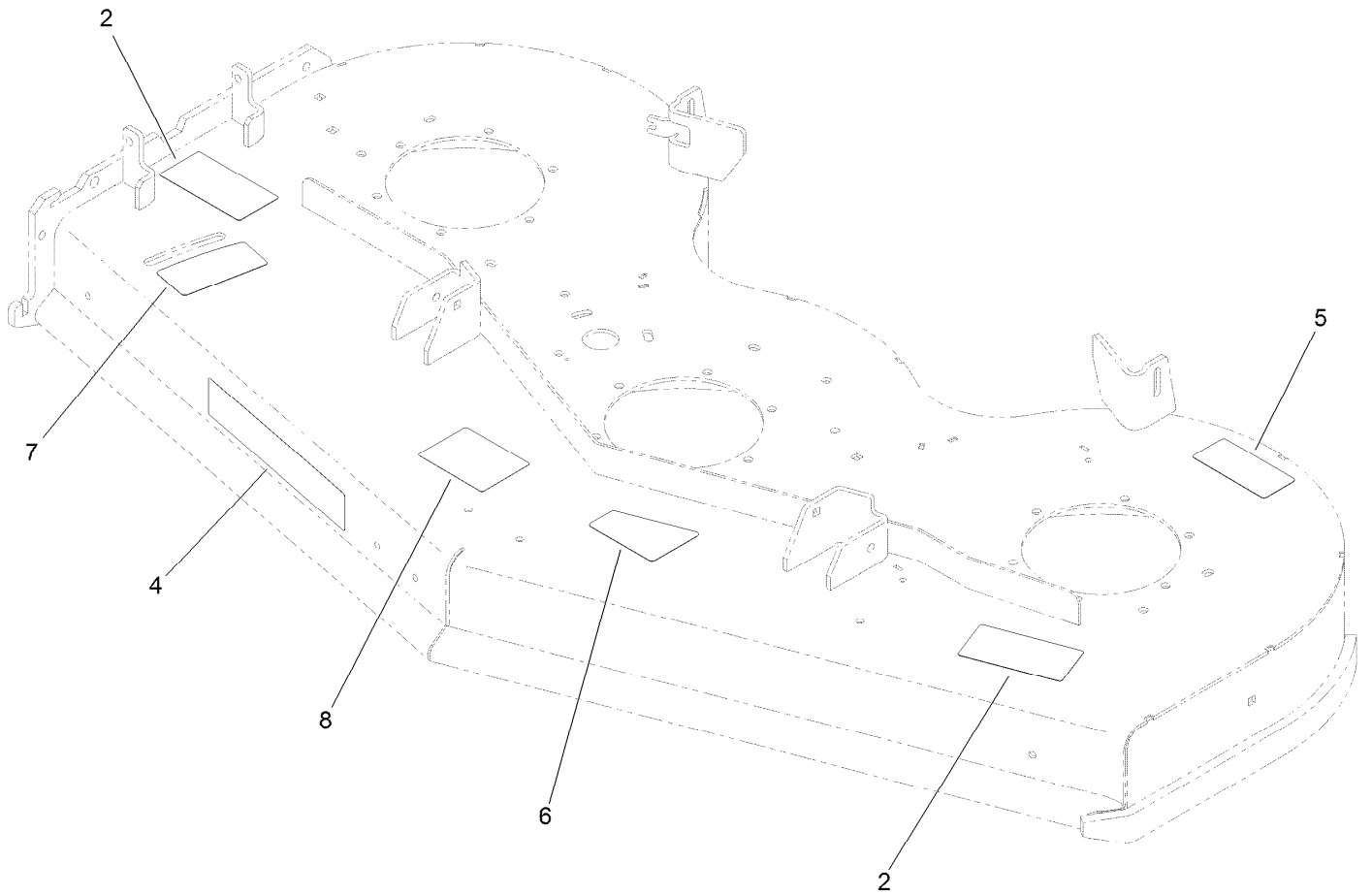
# 60 Inch Deck Assembly



## 60 Inch Deck Assembly (continued)

<i>Ref.</i>	<i>Part Number</i>	<i>Qty.</i>	<i>Description</i>	<i>Ref.</i>	<i>Part Number</i>	<i>Qty.</i>	<i>Description</i>
1	127-1941	1	Deck ASM	21	109-6658	2	Nut-Flange, NI
2	127-0560	3	Spindle ASM	22	103-0865	3	Washer-Blade Bolt, Heavy
3	120-6434	3	Pulley	23	51-4060	3	Screw-Blade
4	109-6982	4	Wireform-Cover	24	105-4622	1	Spacer
5	109-6936	2	Cover-Belt, LH	25	322-50	2	Screw-HH
6	114-5204-01	1	Bracket-Wheel, LH	26	104-8300	2	Nut-HF, NI
7	114-5208-01	1	Bracket-Wheel, Center	27	108-4052	1	Spring-Torsion
8	114-5213-01	1	Bracket-Wheel, RH	28	98-7912	2	Tube-Spanner
9	1-603299	4	Roller-Scalp, Anti	29	104-0892	2	Spacer-Axle, Rear
10	117-5758-03	3	Bracket-Cover	30	98-5967	1	Spacer-Wheel
11	117-9701-01	1	Baffle ASM	31	323-23	2	Screw-HH
12	121-1788-01	1	Baffle ASM	32	136-7395	1	Idler Torsion ASM
13	130-6594-01	1	Baffle-Discharge	33	127-1971	1	Pulley-Idler
14	3231-2	9	Bolt-CARR	34	323-14	1	Screw-HH
15	104-8301	56	Nut-HF, NI	35	114-1908-01	1	Skid
16	120-2451	1	Deflector ASM	36	130-6647-01	1	Bracket-Skid
17	105-7718-03	3	Blade-Hi Flow	37	109-2872	1	Spacer-Pulley
18	131-1123	1	Belt-V	38	3231-44	1	Screw-CARR
19	32144-70	3	Screw-HWHTF	39	136-5404	1	Pulley-Idler, Flat
20	92-1624	7	Screw-HWH Thd Form	40	132-5153	1	Shield-Dust

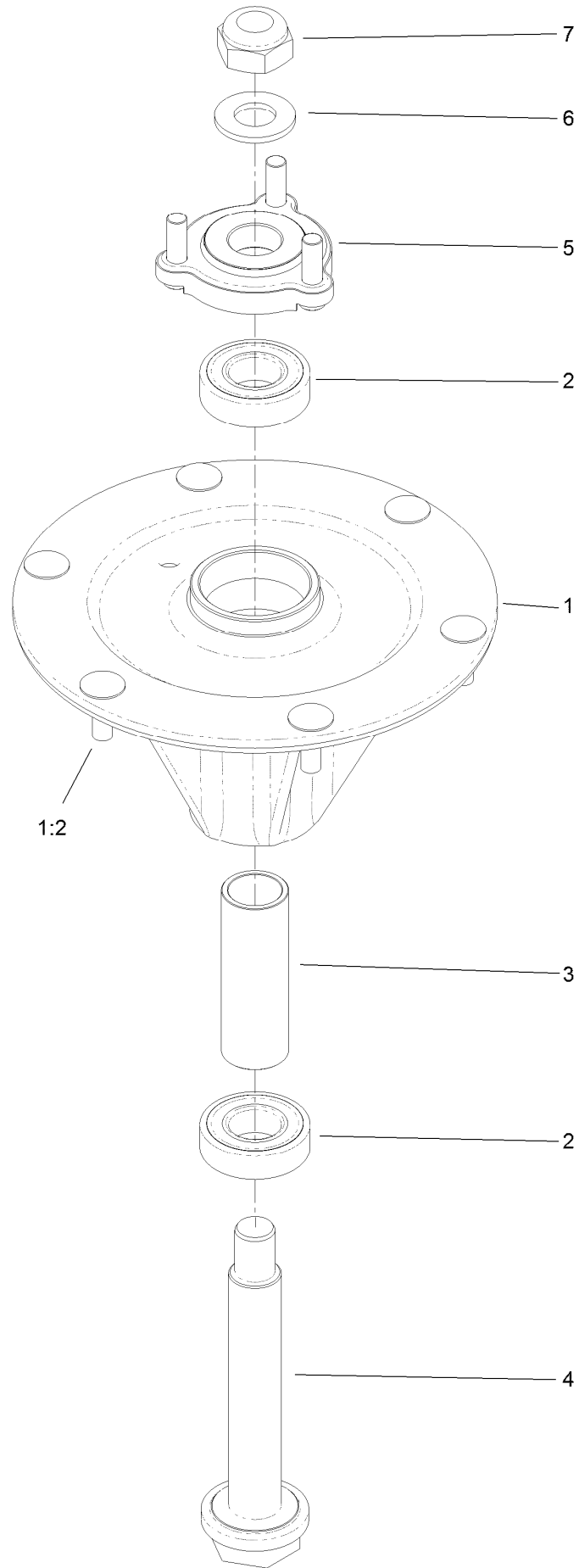
# Deck Decal Assembly No. 127-1941



## Deck Decal Assembly No. 127-1941 (continued)

<i>Ref.</i>	<i>Part Number</i>	<i>Qty.</i>	<i>Description</i>	<i>Ref.</i>	<i>Part Number</i>	<i>Qty.</i>	<i>Description</i>
2	133-4604	2	Decal-Danger	6	131-3507	1	Decal-Belt, Tension (CE)
4	107-1619	1	Decal	7	131-1180	1	Decal-Adjustment, Baffle
5	93-7818	1	Decal-Torque, Blade Bolt	8	112-3858	1	Decal-Scalp, Anti

# Spindle Assembly No. 127-0560



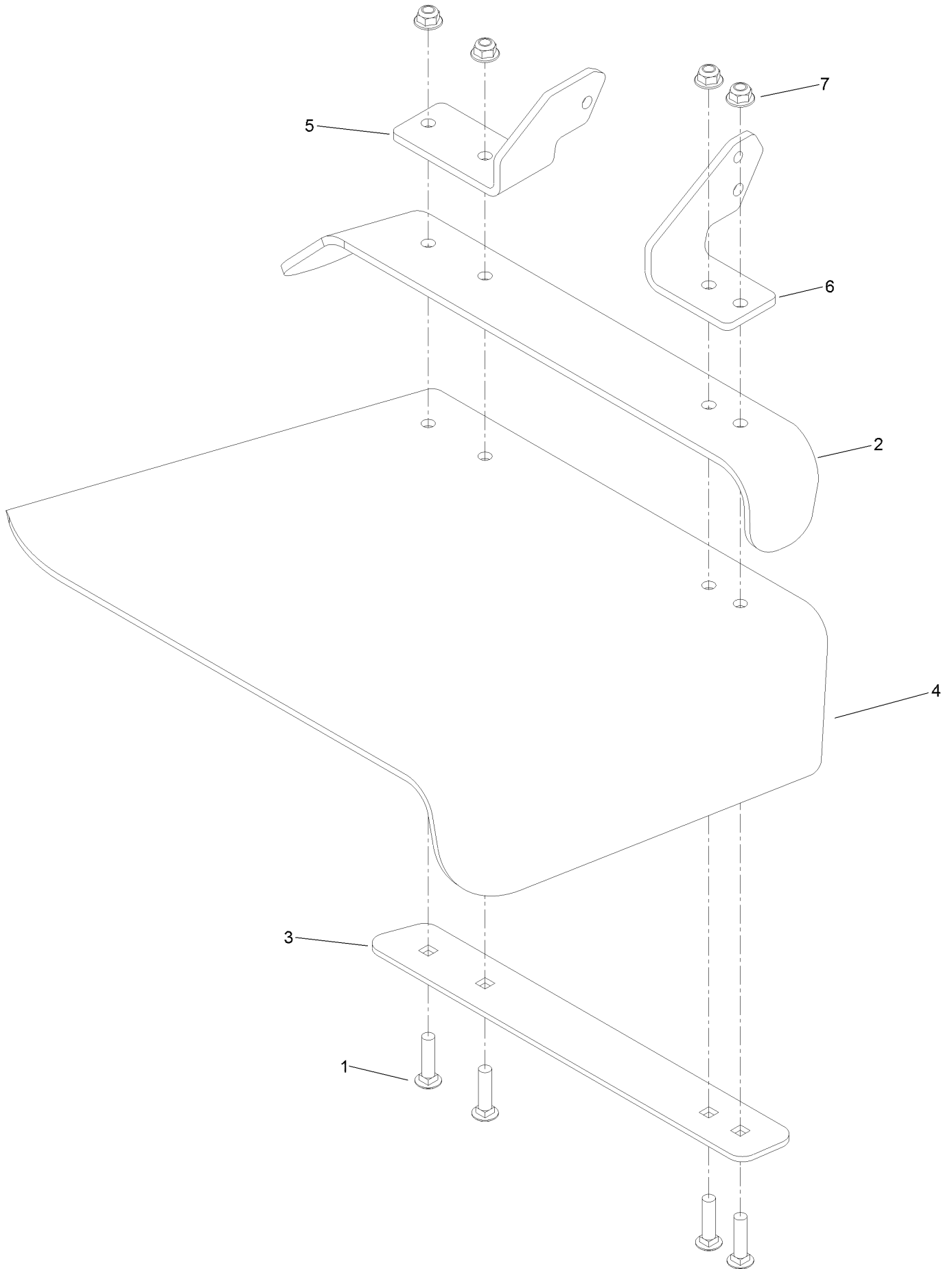
# Spindle Assembly No. 127-0560 (continued)

<i>Ref.</i>	<i>Part Number</i>	<i>Qty.</i>	<i>Description</i>
1		1	Spindle Housing ASM W/Studs ●
1:2	114-8195	6	Bolt-Neck, Ribbed
2	116-0720	2	Bearing-Ball
3	127-0554	1	Spacer-Bearing

<i>Ref.</i>	<i>Part Number</i>	<i>Qty.</i>	<i>Description</i>
4	127-0556	1	Shaft-Spindle, Ball Bearing
5	127-0557	1	Hub-Spindle (W/Studs)
6	92-5836	1	Washer
7	3296-67	1	Nut-Lock, NI

● Not serviced separately

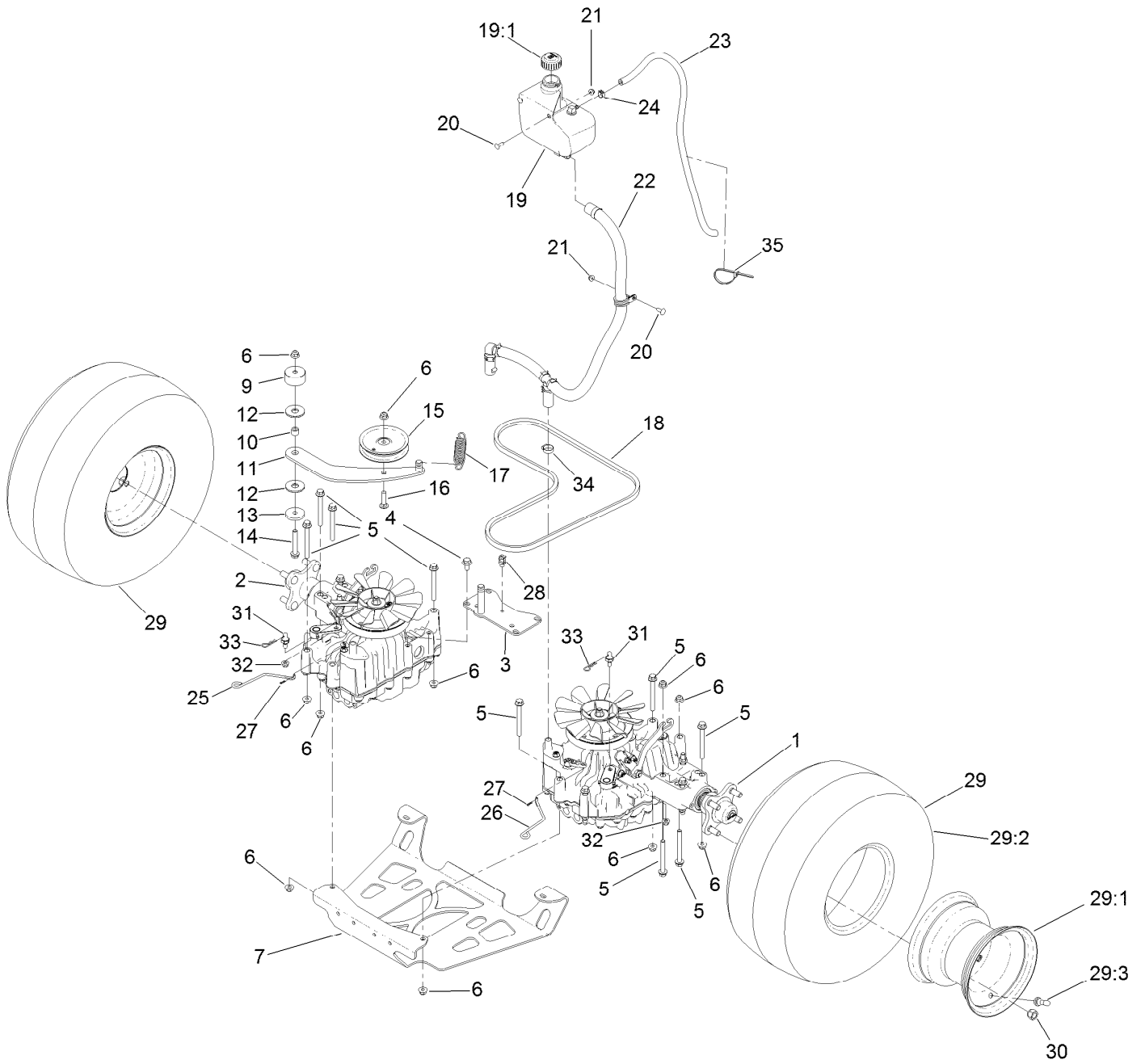
# Deflector Assembly No. 120-2451



## Deflector Assembly No. 120-2451 (continued)

<i>Ref.</i>	<i>Part Number</i>	<i>Qty.</i>	<i>Description</i>	<i>Ref.</i>	<i>Part Number</i>	<i>Qty.</i>	<i>Description</i>
1	3231-4	4	Screw-CARR	5	108-4059-01	1	Plate-Hinge, Rear
2	106-3246-01	1	Deflector	6	106-3253-01	1	Plate-Hinge, Front
3	106-3248-03	1	Strap-Discharge	7	104-8301	4	Nut-HF, NI
4	110-0759	1	Deflector-Rubber				

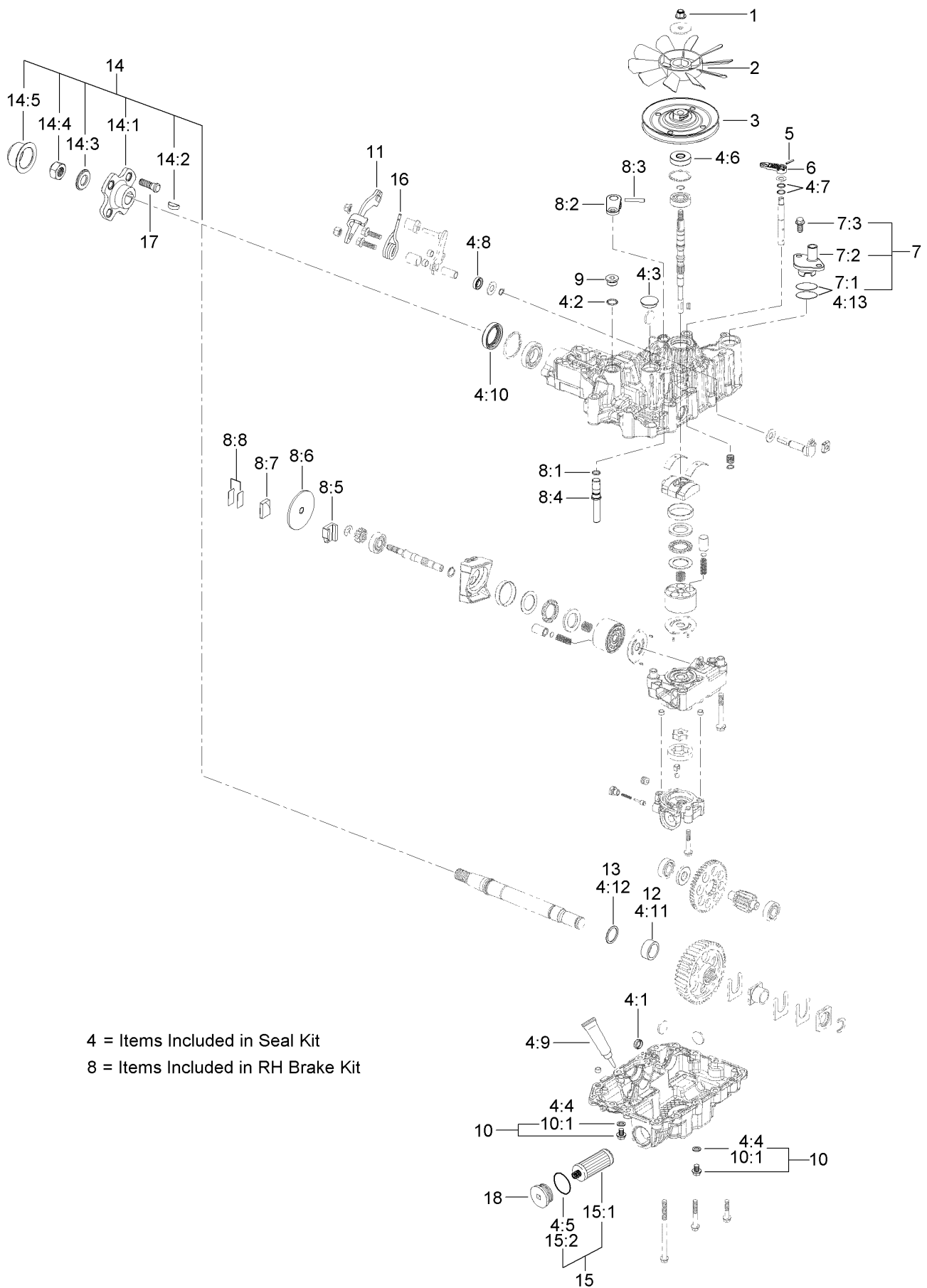
# Ground Drive Assembly



## Ground Drive Assembly (continued)

<i>Ref.</i>	<i>Part Number</i>	<i>Qty.</i>	<i>Description</i>	<i>Ref.</i>	<i>Part Number</i>	<i>Qty.</i>	<i>Description</i>
1	136-4101	1	LH Transmission ASM	20	3229-25	3	Screw-CARR
2	136-4102	1	RH Transmission ASM	21	104-7201	3	Nut-HF, NI
3	131-1131-03	1	Support-Transaxle	22	131-7427	1	HYD Hose ASM
4	93-2569	4	Screw-HHF	23	109-0309	1	Hose-Fuel
5	116-4701	16	Screw-HHF	24	92-2379	1	Clamp-Hose
6	104-8301	18	Nut-HF, NI	25	131-7469	1	Rod-Bypass, RH
7	138-1108-03	1	Plate-Skid	26	131-7470	1	Rod-Bypass, LH
9	117-5351	1	Spacer	27	108-2992	2	Pin-Hair
10	1-413088	1	Bushing-Lever, Lift	28	32180-030	1	Clip-Tie
11	131-1175	1	Arm-Idler	29	130-4561	2	Wheel And Tire ASM
12	114-0463	2	Washer-Friction, Composite	29:1	130-4564	1	Rim-8 Inch, Gray
13	110-9981	1	Washer-Plain	29:2	120-6466	1	Tire
14	3234-39	1	Screw-HHF	29:3	232-27	1	Stem-Valve
15	93-1622	1	Pulley-Idler	30	242-50	8	Nut-Lug
16	3231-4	1	Screw-CARR	31	132-7584	2	Spacer-Hex
17	138-1104	1	Spring-Extension	32	104-8300	2	Nut-HF, NI
18	131-1124	1	Belt-V	33	3290-250	2	Pin-Cotter
19	132-1135	1	Tank-HYD	34	2412-141	2	Clamp-Drive, Worm
19:1	133-8677	1	Cap-Vented	35	3290-378	1	Tie-Cable

# LH Transaxle Assembly No. 136-4101



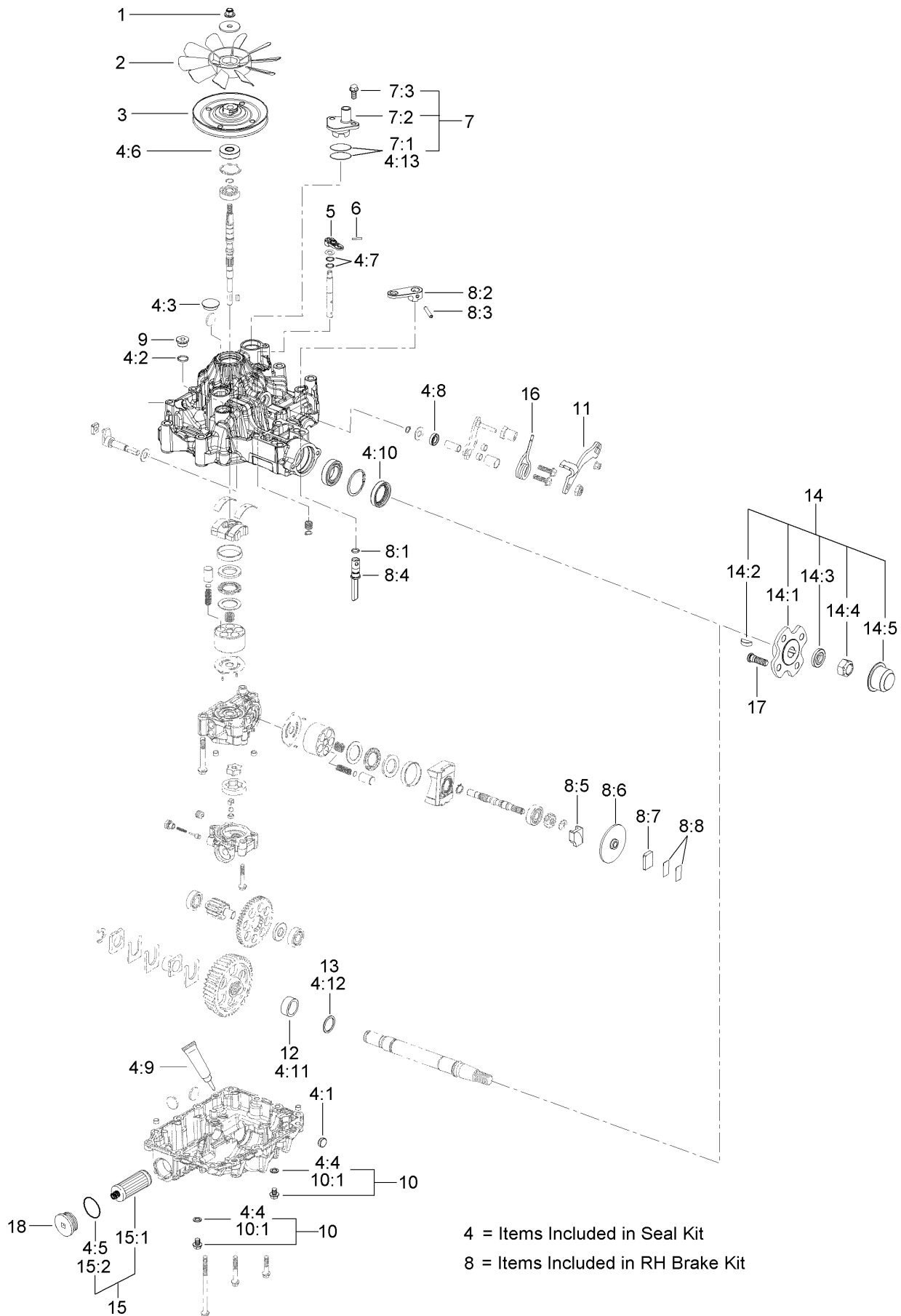
# LH Transaxle Assembly No. 136-4101 (continued)

<i>Ref.</i>	<i>Part Number</i>	<i>Qty.</i>	<i>Description</i>	<i>Ref.</i>	<i>Part Number</i>	<i>Qty.</i>	<i>Description</i>
1	132-4737	1	Nut-Lock	8:3		1	Pin-Roll ■
2	132-4738	1	Fan	8:4		1	Shaft-Brake ■
3	132-4739	1	Pulley	8:5		1	Actuator-Brake ■
4	138-4628	1	Seal Kit	8:6		1	Disc-Brake ■
4:1	100-6926	1	Cap-Sealing	8:7		1	Shoe-Brake ■
4:2	132-4736	1	O-Ring	8:8		1	Shim Kit ■
4:3		1	Cap-Seal ■	9	132-4735	1	Cap-Oil
4:4		2	Seal-Washer ■	10	132-4746	1	Drain Bolt Kit
4:5		1	Packing ■	10:1		1	Seal-Washer ■
4:6	132-4744	1	Seal-Shaft	11	136-5401	1	Lever-Control, RH
4:7		2	O-Ring ■	12	132-4747	1	Sleeve
4:8		1	Seal-Oil ■	13	132-4748	1	Washer
4:9	121-0959	1	Sealant	14	136-5406	1	Axle Flange Kit
4:10	132-4745	1	Seal-Axle	14:1		1	Flange ■
4:11	132-4747	1	Sleeve	14:2		1	Key-Woodruff ■
4:12	132-4748	1	Washer	14:3		1	Washer ■
4:13		1	Packing ■	14:4	137-4128	1	Nut-Lock
5	104-3265	1	Pin	14:5		1	Nut-Cap ■
6	132-4700	1	Lever-Bypass	14:6	139-5588	1	Axle ●
7	133-1461	1	Expansion Fitting Kit	15	132-4743	1	Hydro Filter Kit
7:1	136-4051	2	Seal-Fitting, Expansion	15:1	136-5409	2	Filter
7:2		1	Fitting ■	15:2	136-5410	2	O-Ring
7:3		1	Bolt-Flange ■	16	137-4109	1	Spring-Torsion
8	133-1468	1	Brake Kit,Left	17	137-9509	4	Stud-Wheel
8:1		1	O-Ring ■	18	138-4613	1	Cap-Oil Filter
8:2		1	Arm-Brake ■				

● Not illustrated

■ Not serviced separately

# RH Transaxle Assembly No. 136-4102



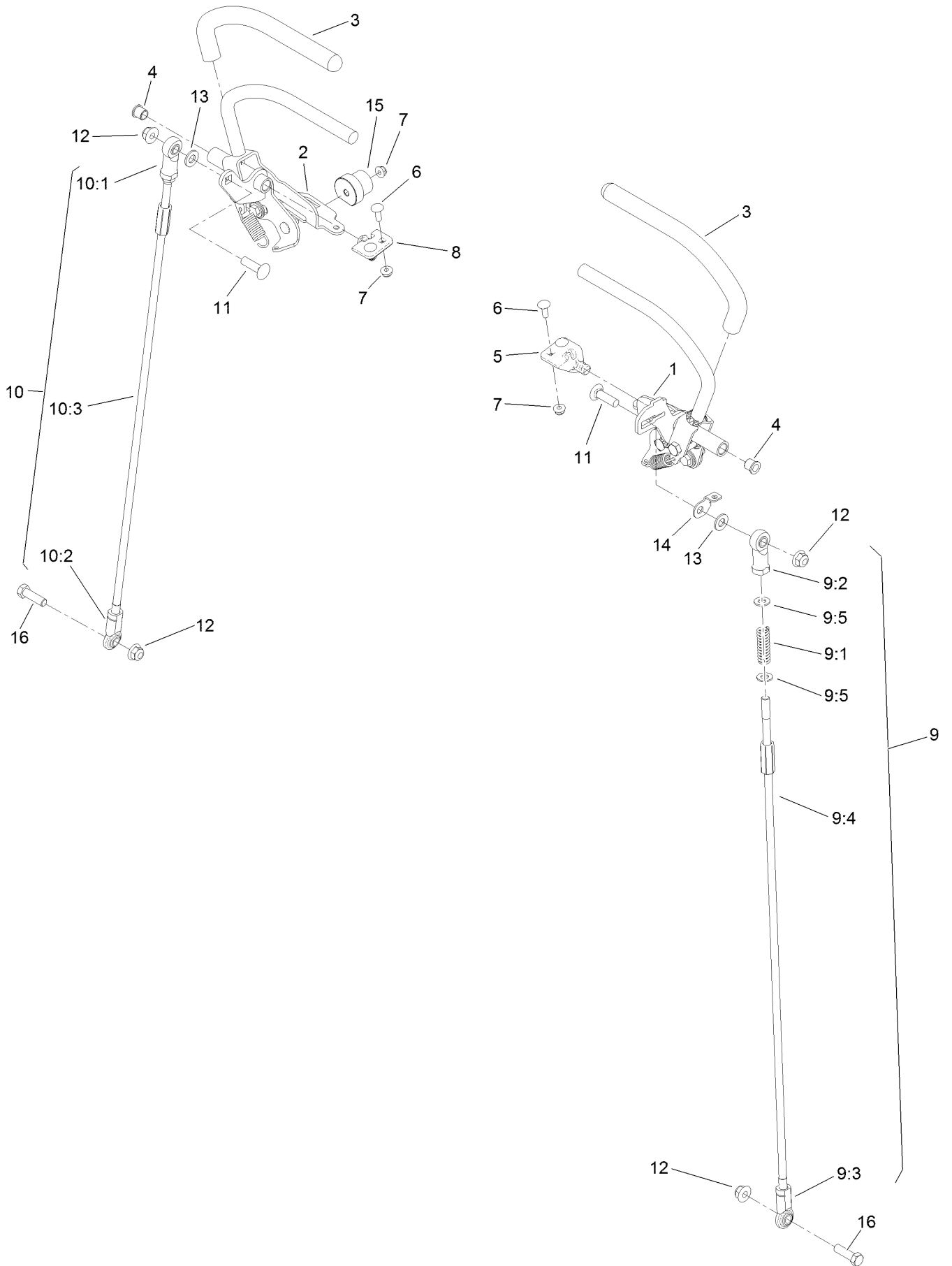
# RH Transaxle Assembly No. 136-4102 (continued)

<i>Ref.</i>	<i>Part Number</i>	<i>Qty.</i>	<i>Description</i>	<i>Ref.</i>	<i>Part Number</i>	<i>Qty.</i>	<i>Description</i>
1	132-4737	1	Nut-Lock	8:3		1	Pin-Roll ■
2	132-4738	1	Fan	8:4		1	Shaft-Brake ■
3	132-4739	1	Pulley	8:5		1	Actuator-Brake ■
4	138-4628	1	Seal Kit	8:6		1	Disc-Brake ■
4:1	100-6926	1	Cap-Sealing	8:7		1	Shoe-Brake ■
4:2	132-4736	1	O-Ring	8:8		1	Shim Kit ■
4:3		1	Cap-Seal ■	9	132-4735	1	Cap-Oil
4:4		2	Seal-Washer ■	10	132-4746	1	Drain Bolt Kit
4:5		1	Packing ■	10:1		1	Seal-Washer ■
4:6	132-4744	1	Seal-Shaft	11	136-5401	1	Lever-Control, RH
4:7		2	O-Ring ■	12	132-4747	1	Sleeve
4:8		1	Seal-Oil ■	13	132-4748	1	Washer
4:9	121-0959	1	Sealant	14	136-5406	1	Axle Flange Kit
4:10	132-4745	1	Seal-Axle	14:1		1	Flange ■
4:11	132-4747	1	Sleeve	14:2		1	Key-Woodruff ■
4:12	132-4748	1	Washer	14:3		1	Washer ■
4:13		1	Packing ■	14:4	137-4128	1	Nut-Lock
5	104-3265	1	Pin	14:5		1	Nut-Cap ■
6	132-4700	1	Lever-Bypass	14:6	139-5588	1	Axle ●
7	133-1461	1	Expansion Fitting Kit	15	132-4743	1	Hydro Filter Kit
7:1	136-4051	2	Seal-Fitting, Expansion	15:1	136-5409	2	Filter
7:2		1	Fitting ■	15:2	136-5410	2	O-Ring
7:3		1	Bolt-Flange ■	16	137-4109	1	Spring-Torsion
8	133-1462	1	RH Brake Kit	17	137-9509	4	Stud-Wheel
8:1		1	O-Ring ■	18	138-4613	1	Cap-Oil Filter
8:2		1	Arm-Brake ■				

● Not illustrated

■ Not serviced separately

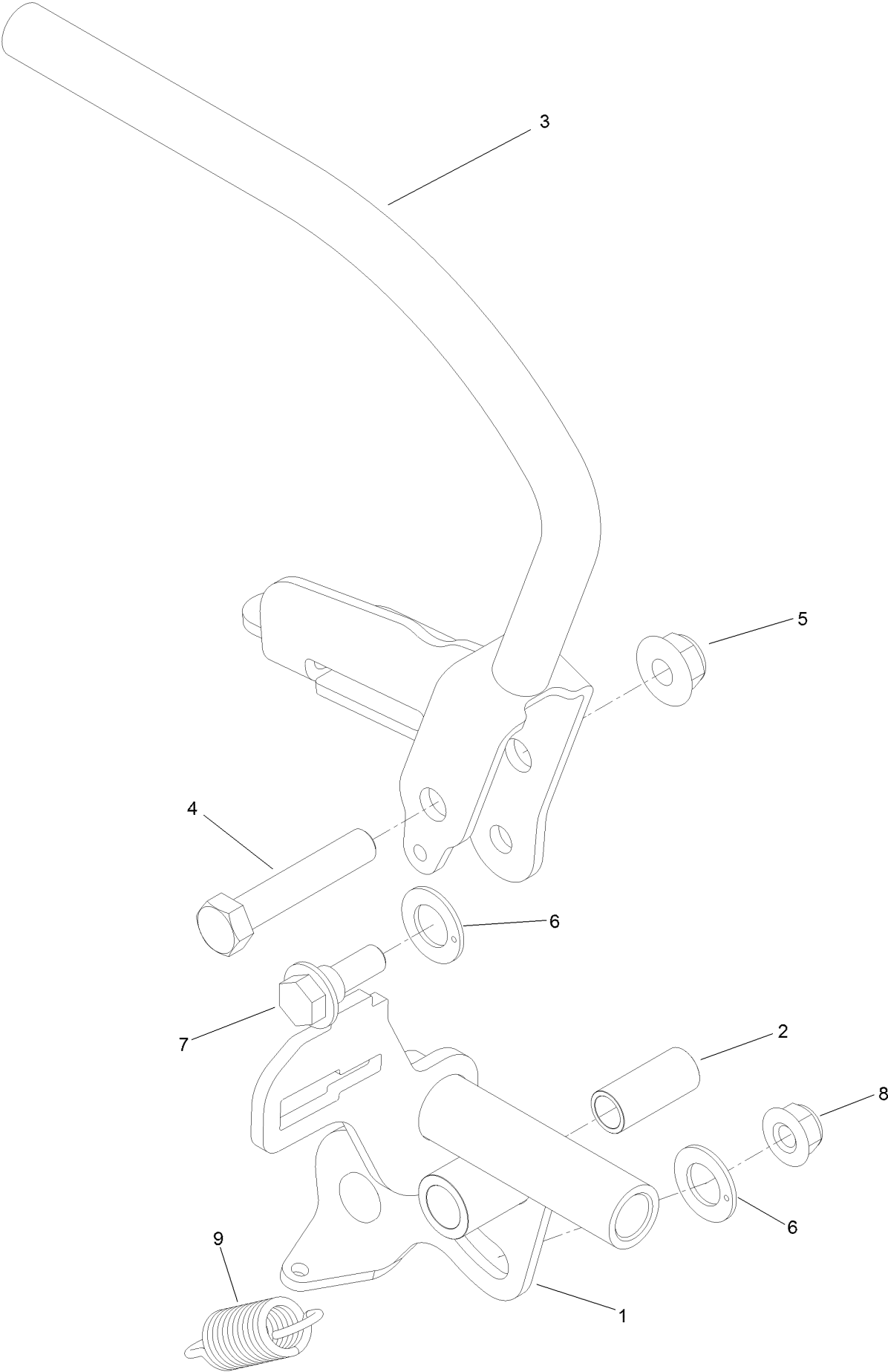
# Motion Control Assembly



## Motion Control Assembly (continued)

<i>Ref.</i>	<i>Part Number</i>	<i>Qty.</i>	<i>Description</i>	<i>Ref.</i>	<i>Part Number</i>	<i>Qty.</i>	<i>Description</i>
1	132-5157	1	LH Control Handle ASM	9:4	132-7515	1	Rod-Control
2	132-5158	1	RH Control Handle ASM	9:5	3256-45	2	Washer-Flat
3	119-0222	2	Grip	10	130-1807	1	RH Control Rod ASM
4	103-9928	2	Bearing	10:1	92-7008	1	End-Rod, Female
5	120-3288	1	Tab-Pivot, LH	10:2	103-1167	1	Joint-Ball End, LH
6	3229-1	4	Screw-CARR	10:3	132-7515	1	Rod-Control
7	104-7201	6	Nut-HF, NI	11	3231-28	2	Screw-CARR
8	120-3287	1	Tab-Pivot, RH	12	104-8301	4	Nut-HF, NI
9	130-1803	1	LH Control Rod ASM	13	3256-24	2	Washer-Plain
9:1	1-603807	1	Spring-Return, Neutral	14	132-7538	1	Bracket-Adjustment, Speed
9:2	92-7008	1	End-Rod, Female	15	126-1499	2	Cam
9:3	103-1167	1	Joint-Ball End, LH	16	323-7	2	Screw-HH

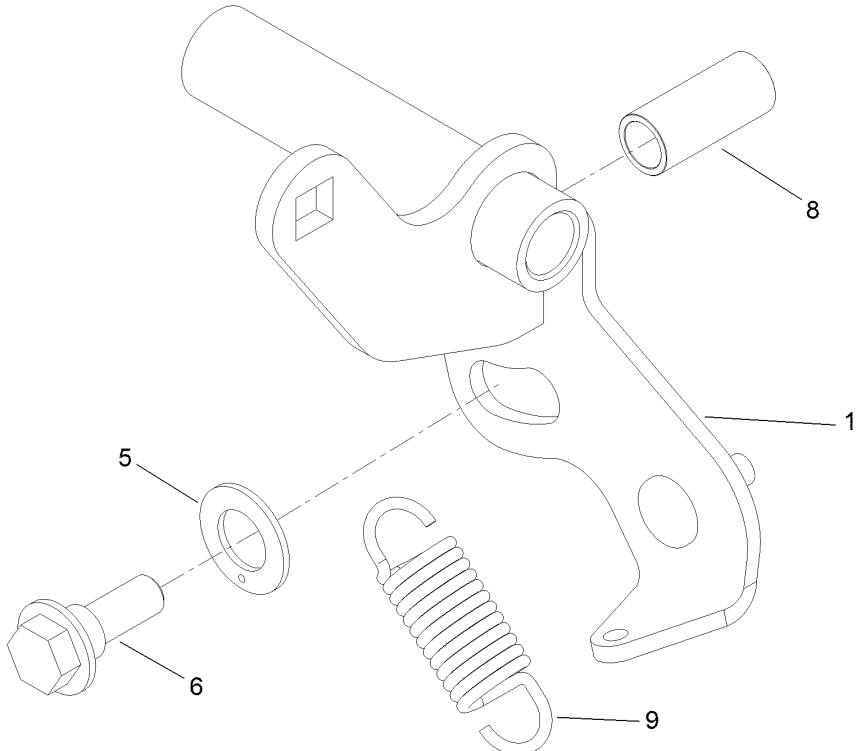
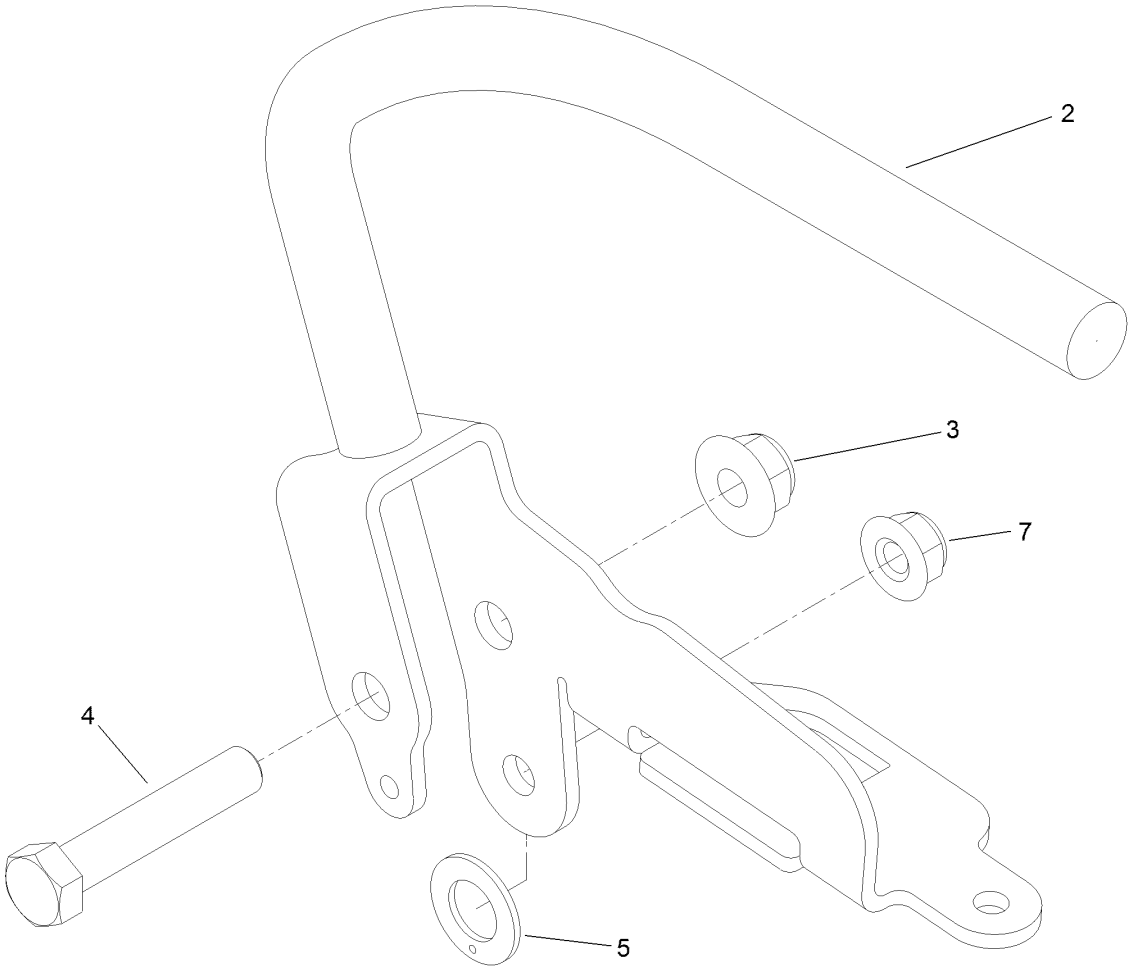
# Control Handle Assembly No. 132-5157



## Control Handle Assembly No. 132-5157 (continued)

<i>Ref.</i>	<i>Part Number</i>	<i>Qty.</i>	<i>Description</i>	<i>Ref.</i>	<i>Part Number</i>	<i>Qty.</i>	<i>Description</i>
1	132-5115	1	Pivot-Control, Motion (LH)	6	110-7191	2	Washer-Thrust
2	131-3562	1	Bearing-Sleeve	7	116-2670	1	Screw-Shoulder
3	132-5114-03	1	Lever-LH	8	104-8300	1	Nut-HF, NI
4	323-10	1	Screw-HH	9	132-5146	1	Spring-Extension
5	104-8301	1	Nut-HF, NI				

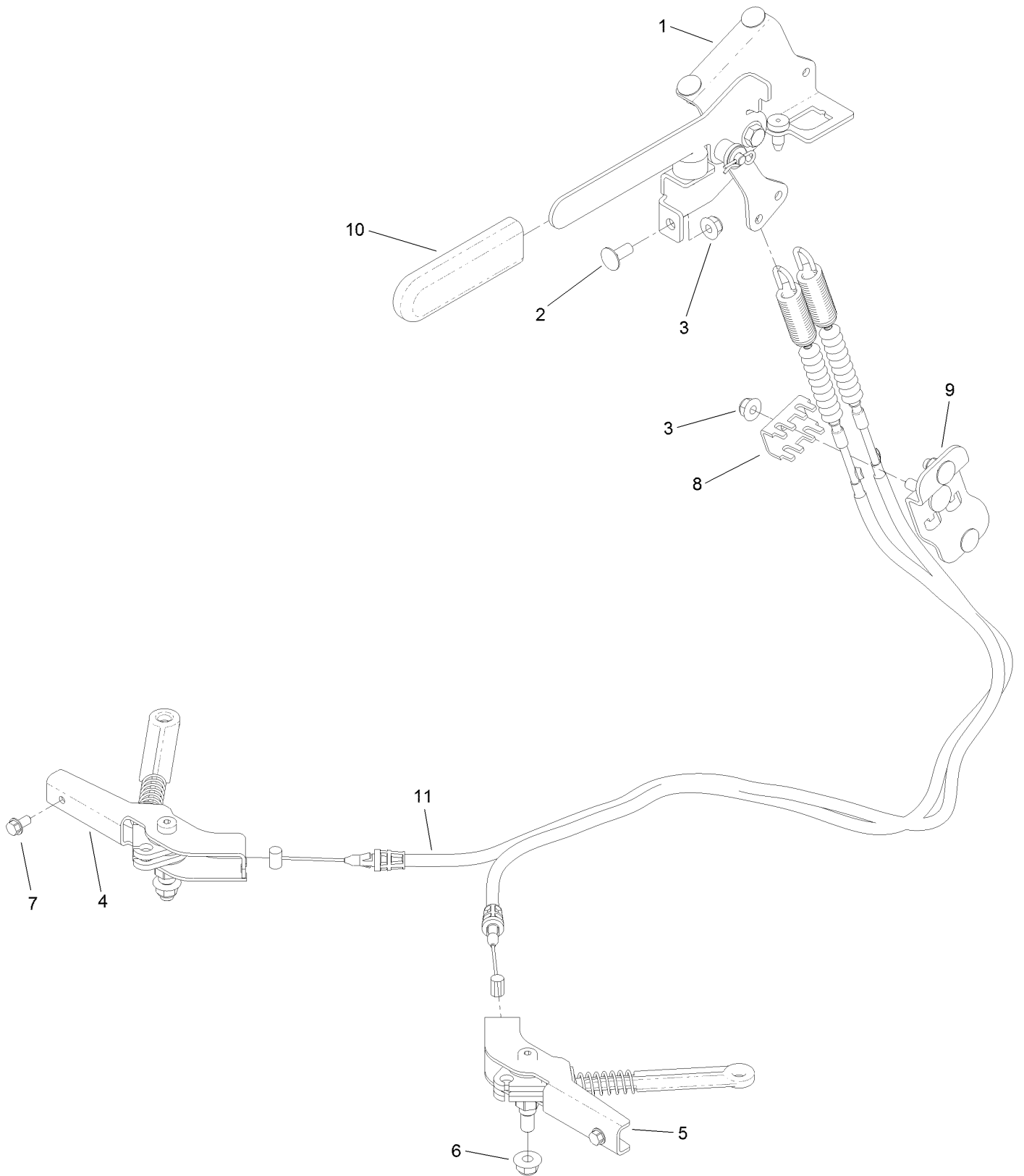
# Control Handle Assembly No. 132-5158



## Control Handle Assembly No. 132-5158 (continued)

<i>Ref.</i>	<i>Part Number</i>	<i>Qty.</i>	<i>Description</i>	<i>Ref.</i>	<i>Part Number</i>	<i>Qty.</i>	<i>Description</i>
1	120-8490	1	Pivot-Control, Motion (RH)	6	116-2670	1	Screw-Shoulder
2	130-1825-03	1	Lever-RH	7	104-8300	1	Nut-HF, NI
3	104-8301	1	Nut-HF, NI	8	131-3562	1	Bearing-Sleeve
4	323-10	1	Screw-HH	9	132-5146	1	Spring-Extension
5	110-7191	2	Washer-Thrust				

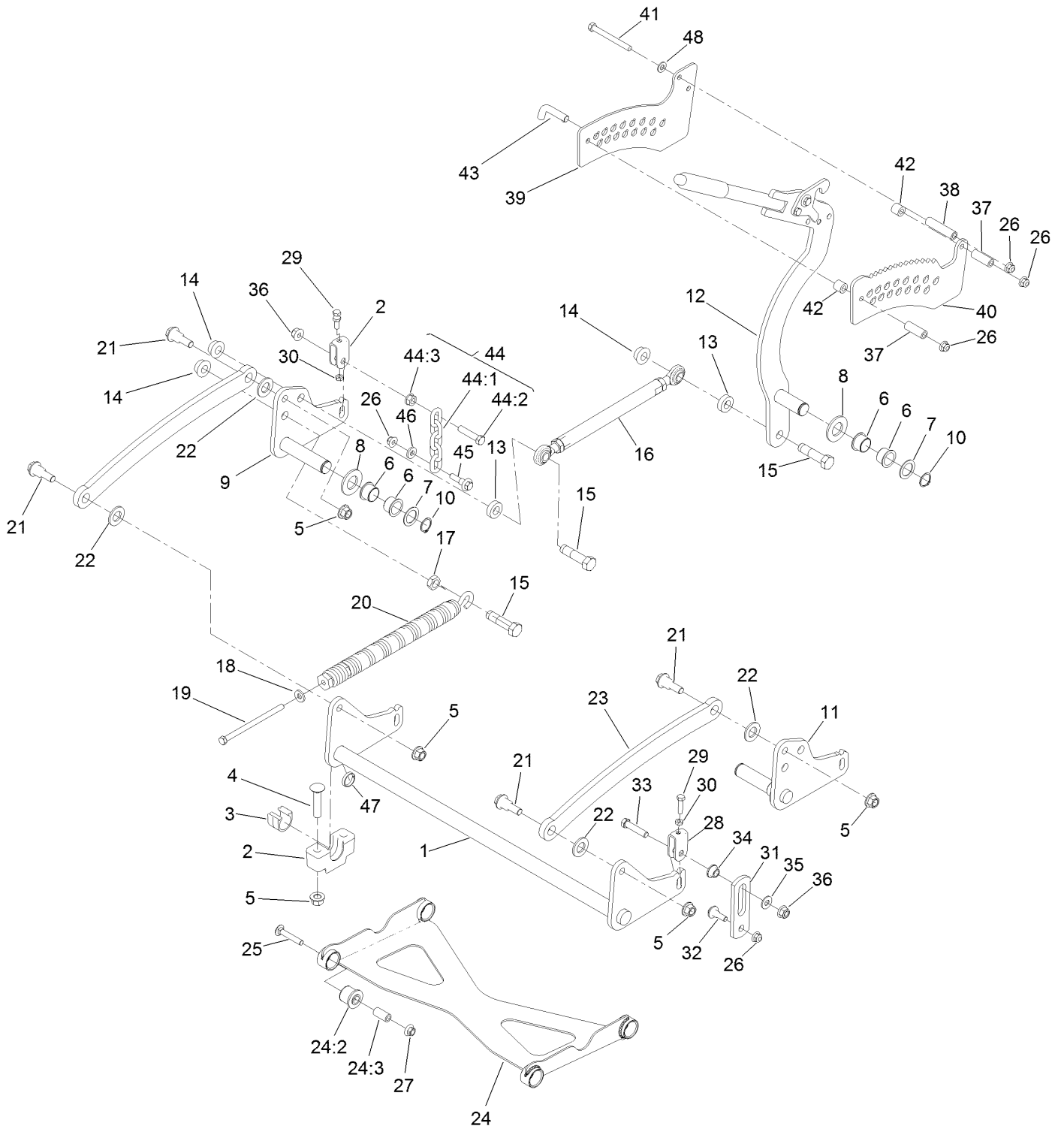
# Parking Brake Assembly



## Parking Brake Assembly (continued)

<i>Ref.</i>	<i>Part Number</i>	<i>Qty.</i>	<i>Description</i>	<i>Ref.</i>	<i>Part Number</i>	<i>Qty.</i>	<i>Description</i>
1	132-5170	1	Brake Handle ASM	7	32144-4	2	Screw-HWH
2	3230-23	5	Bolt-CARR	8	132-1187	1	Clamp-Cable
3	104-8300	6	Nut-HF, NI	9	132-7582	1	Mount-Cable, Brake
4	132-5168	1	RH Brake Caliper ASM	10	1-633268	1	Grip-Lever
5	132-5169	1	LH Brake Caliper ASM	11	131-1195	2	Cable-Brake
6	104-8301	2	Nut-HF, NI				

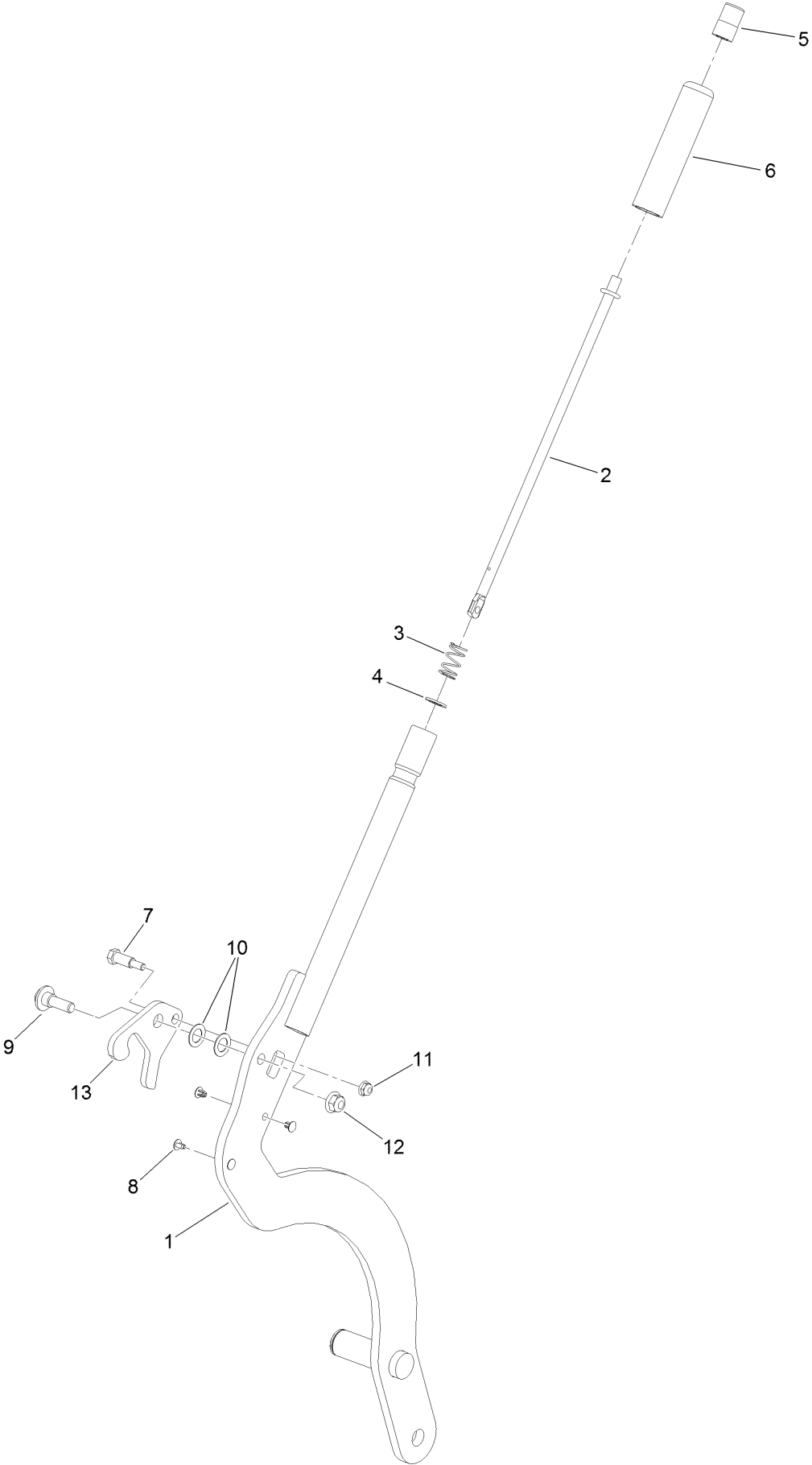
# Deck Lift Assembly



## Deck Lift Assembly (continued)

<i>Ref.</i>	<i>Part Number</i>	<i>Qty.</i>	<i>Description</i>	<i>Ref.</i>	<i>Part Number</i>	<i>Qty.</i>	<i>Description</i>
1	120-8405-01	1	Shaft-Cross, Front	25	3231-7	4	Screw-CARR
2	109-9409	2	Support-Bearing, Cross Shaft (Front)	26	104-8301	7	Nut-HF, NI
3	109-9410	2	Bearing-Cross Shaft, Front	27	32128-19	4	Nut-HF Lock, Large Flg
4	116-1700	4	Bolt-CARR	28	109-9066	4	Yoke-Adjust, Deck
5	99-5107	8	Nut-Lock	29	322-47	4	Screw-HH
6	127-0369	6	Bushing	30	3218-2	8	Nut-Hex Jam
7	10-8110	3	Washer-Thrust	31	130-6589	2	Link-Lift
8	3256-62	3	Washer-Flat	32	109-9840	2	Screw-Shoulder, HHF
9	120-8411-01	1	Arm-Lift, RH	33	109-9065	2	Screw-HH
10	32151-29	3	Ring-Retaining	34	116-2428	2	Bushing-Flanged
11	120-8410-01	1	Arm-Lift, LH	35	3256-4	2	Washer-Flat
12	130-1755	1	HOC Lever ASM	36	114-8417	4	Nut-HF, NI
13	119-6223	2	Washer	37	95-6448	2	Spacer
14	138-4932	3	Nut-Hex Flg	38	138-1111	1	Spacer
15	138-4931	3	Screw-Lock	39	132-7581	1	HOC Plate And Decal ASM
16	130-6615	1	HOC Link ASM	40	138-4887	1	Plate-HOC, Inner
17	3218-6	1	Nut-Jam	41	323-42	3	Screw-HH
18	98-5975	1	Washer-Belleville	42	121-1760	2	Spacer
19	323-58	1	Bolt-TAP, HH	43	116-5584	1	Pin-HOC
20	116-0886	1	Spring-Extension	44	116-0756	2	Deck Lift Chain ASM
21	116-0780	4	Screw-Shoulder, HHF	44:1	1-633447	1	Chain-Lift, Deck
22	3256-28	4	Washer-Flat	44:2	109-9065	1	Screw-HH
23	127-1948-03	2	Link-Lift	44:3	32128-37	1	Nut-HF
24	137-4129	1	Deck Strut ASM	45	130-0742	2	Bolt-Shoulder
24:2	137-4108	4	Bushing-Rubber	46	43-0940	2	Spacer
24:3	108-6544	4	Spacer	47	133-1431	1	Spacer-Split
				48	3256-24	3	Washer-Plain

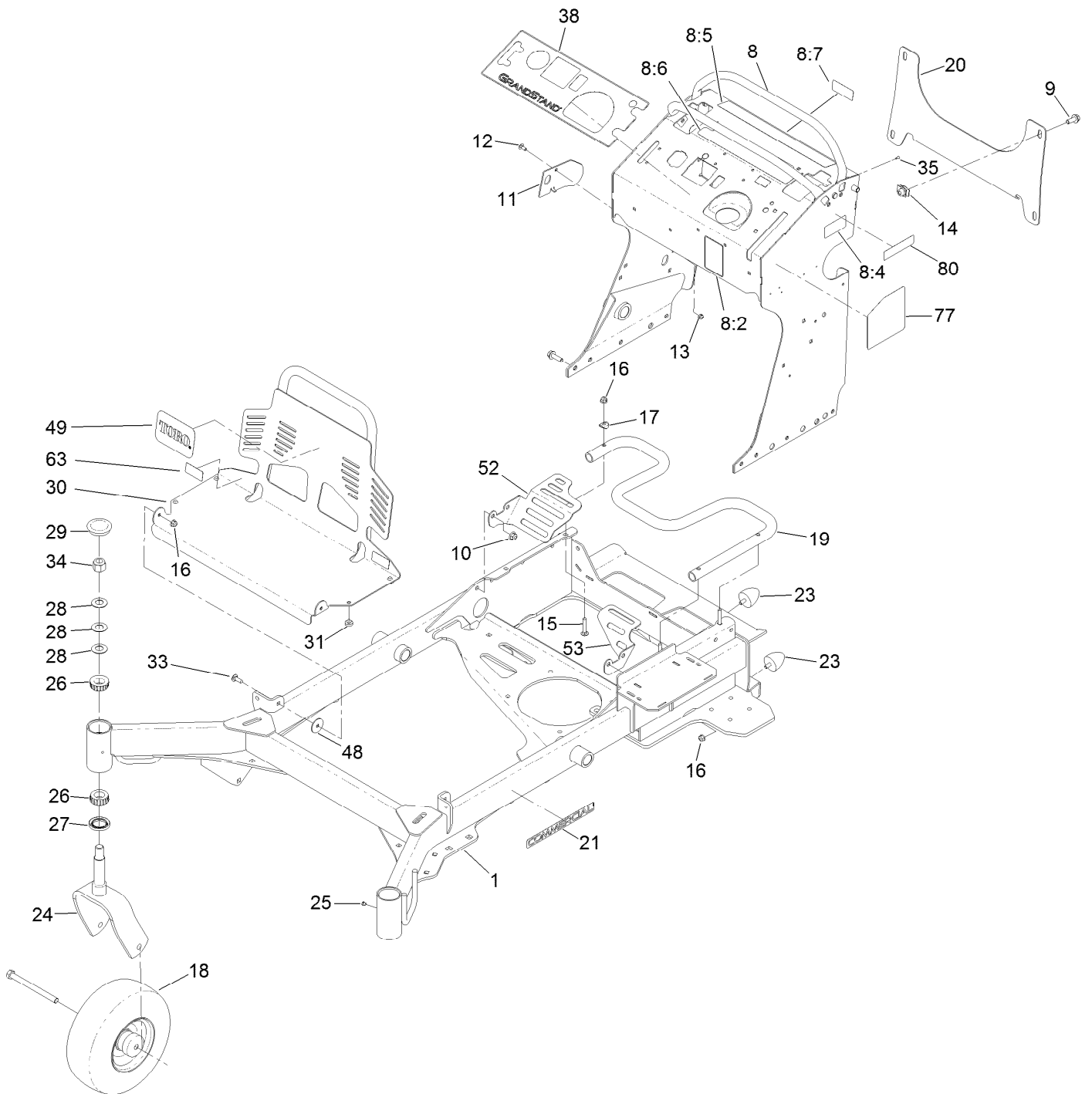
# HOC Lever Assembly No. 130-1755



## HOC Lever Assembly No. 130-1755 (continued)

<i>Ref.</i>	<i>Part Number</i>	<i>Qty.</i>	<i>Description</i>	<i>Ref.</i>	<i>Part Number</i>	<i>Qty.</i>	<i>Description</i>
1	130-1775-01	1	Lever-Lift	8	103-1363	4	Rivet
2	136-0530	1	Rod-Latch, Release	9	614672	1	Screw-Shoulder, HWH
3	114-8187	1	Spring-Compression	10	98-1629	2	Washer
4	114-1207	1	Washer-Special	11	104-7201	1	Nut-HF, NI
5	115-2750	1	Knob	12	104-8301	1	Nut-HF, NI
6	115-3592	1	Grip	13	138-4888	1	Latch-HOC
7	119-2309	1	Bolt-Shldr,HH				

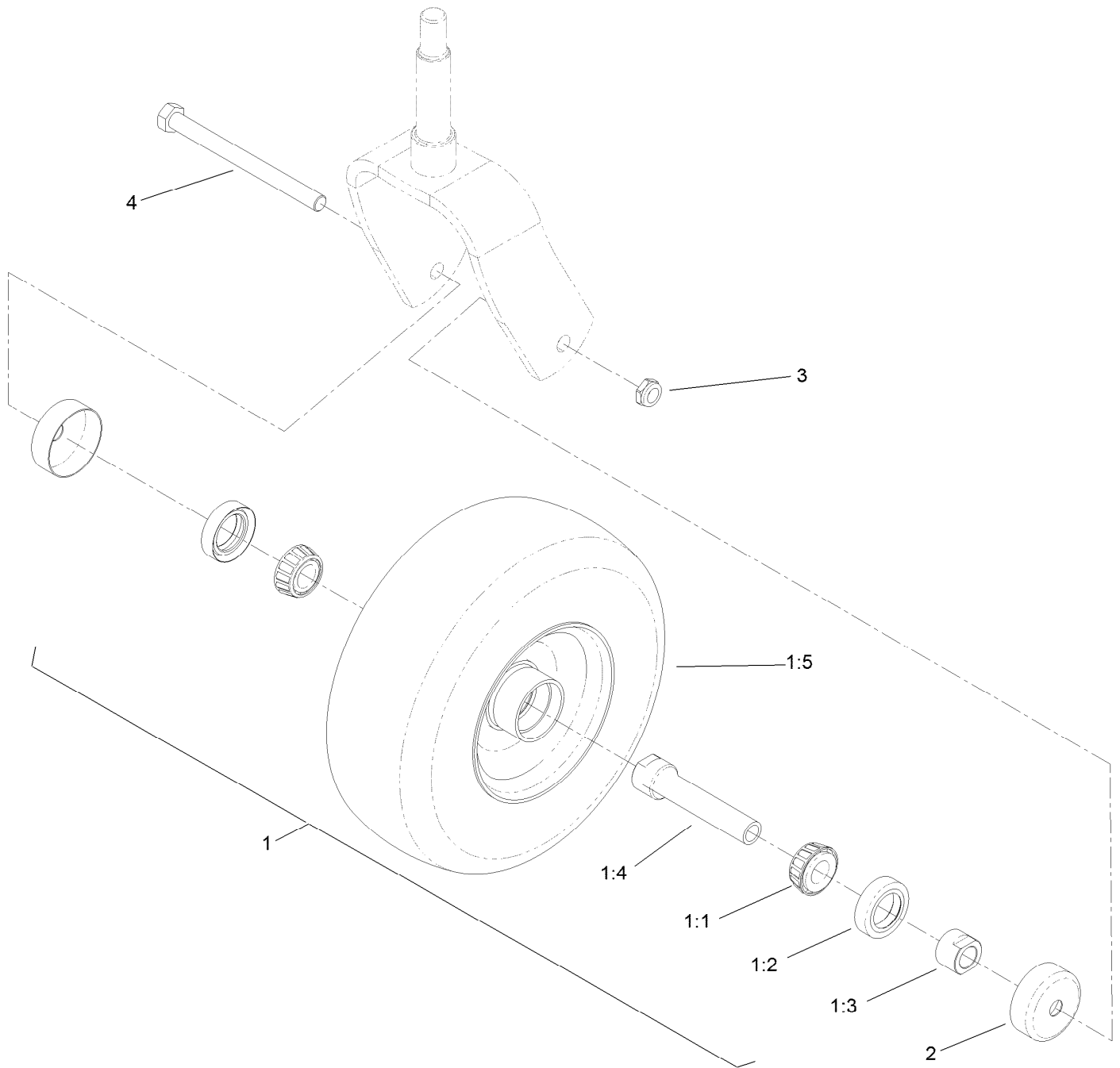
# Frame Assembly



## Frame Assembly (continued)

<i>Ref.</i>	<i>Part Number</i>	<i>Qty.</i>	<i>Description</i>	<i>Ref.</i>	<i>Part Number</i>	<i>Qty.</i>	<i>Description</i>
1	131-7431-01	1	Frame	23	114-1926	4	Bumper-Rubber
8	132-7537	1	Tower Decal ASM	24	121-7988-01	2	Fork-Caster
8:2	131-3524	1	Decal-Level, Oil	25	1-811010	2	Plug
8:4	116-8775	1	Decal-Fill, Fuel	26	1-543509	4	Bearing-Roller, Tapered
8:5	139-2878	1	Decal-Warning	27	116-5647	2	Seal-Grease
8:6	131-3526	1	Decal-Controls	28	1-633508	6	Washer-Bellville
8:7	131-3528	1	Decal-Fuse	29	103-4882	2	Cap-Grease
9	3234-42	4	Screw-HHF	30	132-5150-03	1	Guard-Engine
10	104-8301	8	Nut-HF, NI	31	1-513658	4	Bumper
11	131-7455	1	Plate-Striker	33	3230-10	2	Bolt-CARR
12	3229-11	1	Screw-CARR	34	3296-51	2	Nut-Lock, NI
13	104-7201	1	Nut-HF, NI	35	3290-271	2	Rivet-Pop
14	105-4886	4	Nut-Tinnerman	38	130-1790	1	Decal-Panel, Control
15	3230-5	3	Bolt-CARR	48	107-3002	2	Washer-Nylon
16	104-8300	9	Nut-HF, NI	49	105-8278	1	Decal
17	107-3844	3	Washer	52	132-7578-01	1	Guard-Fan, RH
18	130-4558	2	Wheel/Tire And Bearing ASM	53	132-7598-01	1	Guard-Fan, LH
19	132-5161-01	1	Tube-Mount, Fuel Tank	63	133-4641	2	Decal-Warning, No Riders
20	132-1145-03	1	Bracket-Cross	77	131-3529	1	Decal-Service Aid
21	117-3591	2	Decal-Commercial	80	133-8062	1	Decal-Spark Arrestor

# Wheel, Tire and Bearing Assembly No. 130-4558



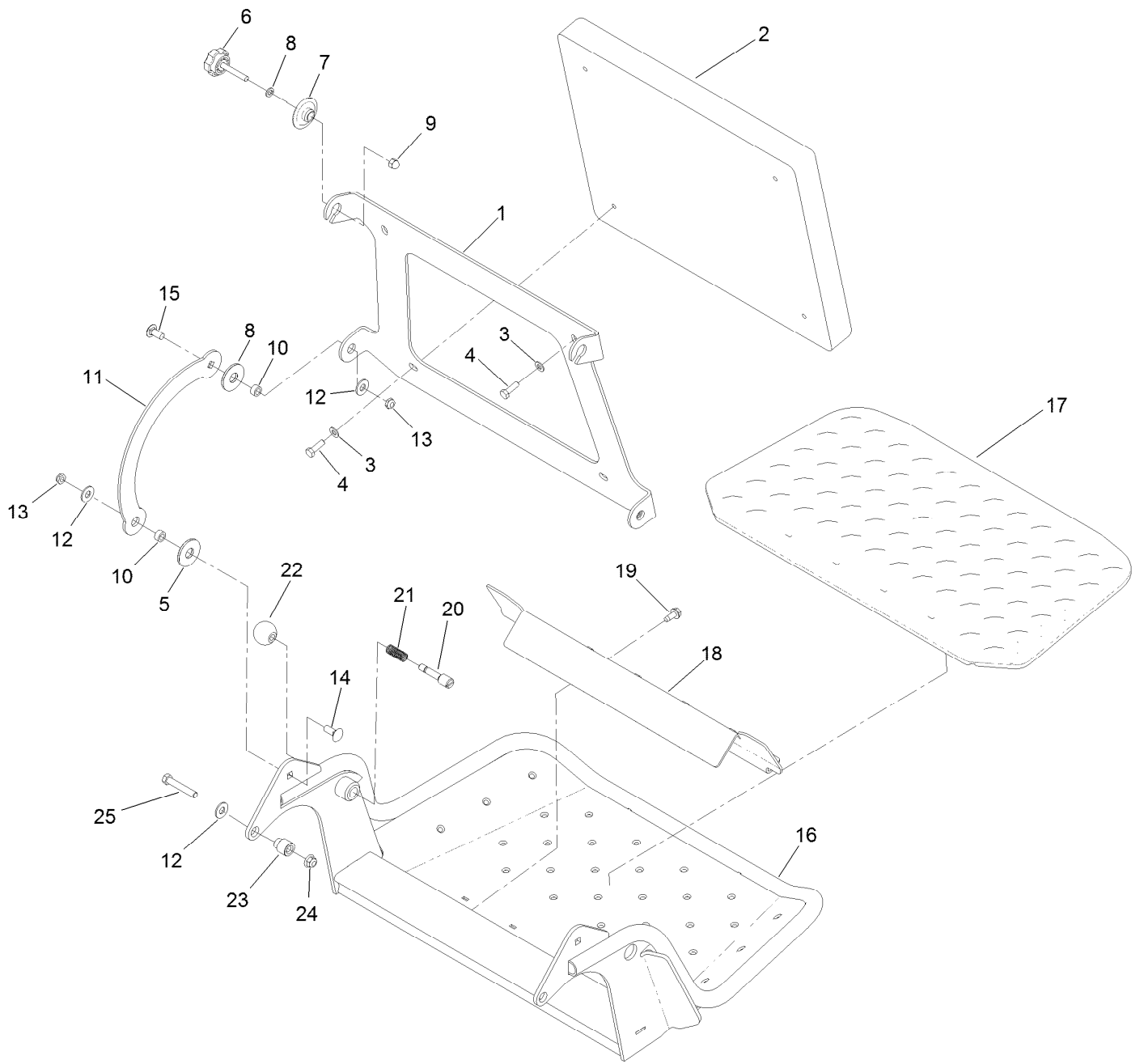
# Wheel, Tire and Bearing Assembly No. 130-4558 (continued)

<i>Ref.</i>	<i>Part Number</i>	<i>Qty.</i>	<i>Description</i>	<i>Ref.</i>	<i>Part Number</i>	<i>Qty.</i>	<i>Description</i>
1		1	Wheel And Bearing ASM ●	1:5	130-4563	1	Wheel And Tire ASM
1:1	1-633585	2	Bearing-Cone, Taper	2	103-2768	2	Guard-Seal
1:2	103-0063	2	Seal-Caster	3	3296-45	1	Nut-Hex
1:3	103-3051	1	Spacer-Nut ■	4	325-20	1	Screw-HH
1:4	126-5359	1	Caster Axle ASM				

● Not serviced separately

■ Use Pro-Lock, Nut Type (P/N 1-840022, .5ml tube) on spacer nut

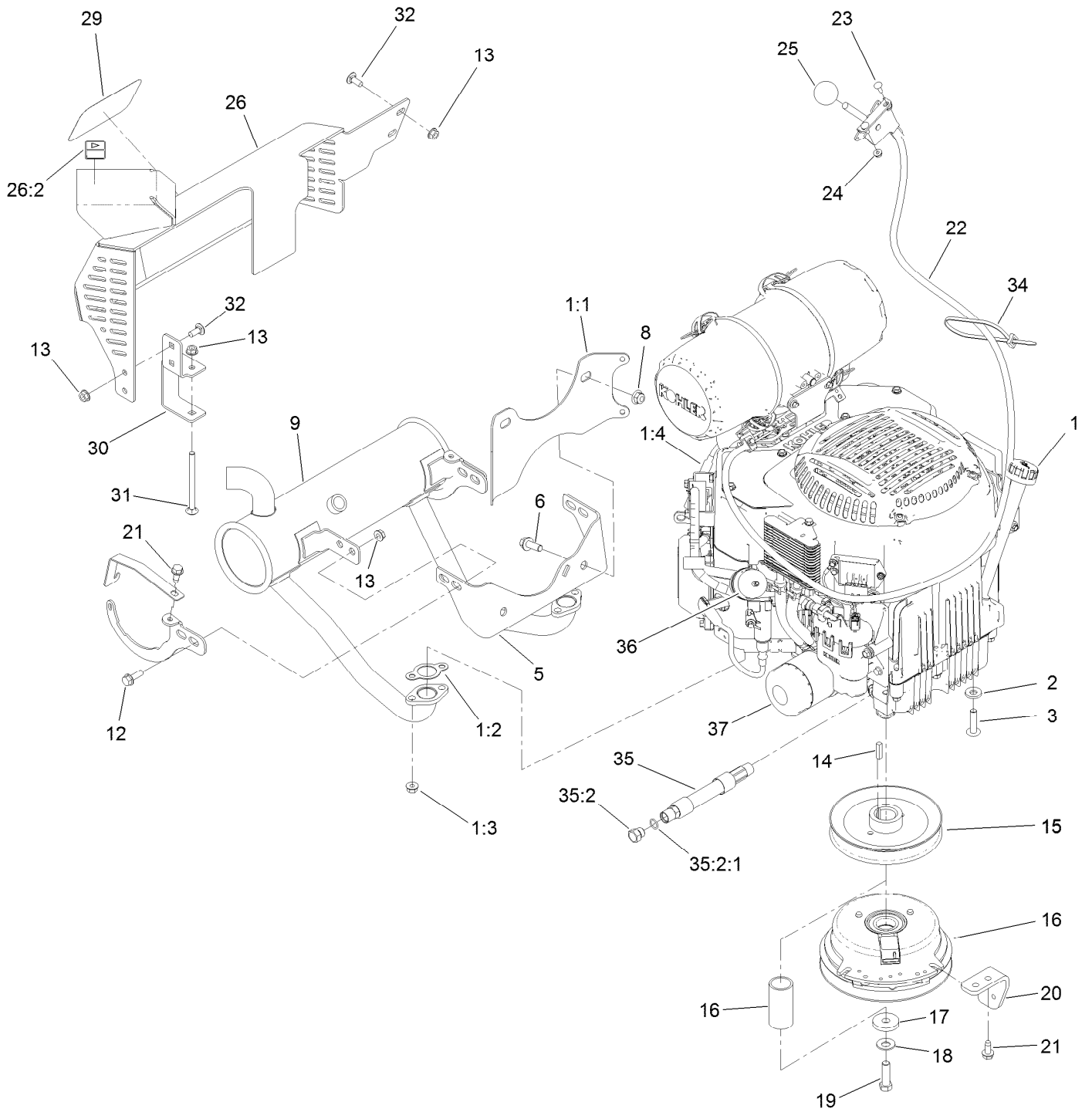
# Platform Assembly



## Platform Assembly (continued)

<i>Ref.</i>	<i>Part Number</i>	<i>Qty.</i>	<i>Description</i>	<i>Ref.</i>	<i>Part Number</i>	<i>Qty.</i>	<i>Description</i>
1	120-8499-03	1	Hinge-Pad	14	3231-2	2	Bolt-CARR
2	117-9739	1	Pad-Cushion	15	3231-27	2	Screw-CARR
3	3256-23	4	Washer-Plain	16	120-8475-01	1	Platform
4	121-7999	4	Screw-HH, Patch	17	126-7157	1	Mat-Platform
5	114-0463	4	Washer-Friction, Composite	18	3345-771	1	Shield Clamp Kit
6	133-1426	2	Knob	19	32144-70	2	Screw-HWHTF
7	116-2886	2	Slide-Bushing	20	119-8650	1	Pin-Latch
8	3253-4	2	Washer-Lock	21	114-5348	1	Spring
9	131-4535	2	Nut-Acorn	22	1-603175	1	Knob-Ball
10	111044	4	Spacer	23	132-7583	2	Bushing-Flanged
11	114-1915-01	2	Link-Pad	24	104-8301	2	Nut-HF, NI
12	3256-4	6	Washer-Flat	25	323-45	2	Screw-HH
13	3296-59	4	Nut-Lock, NI				

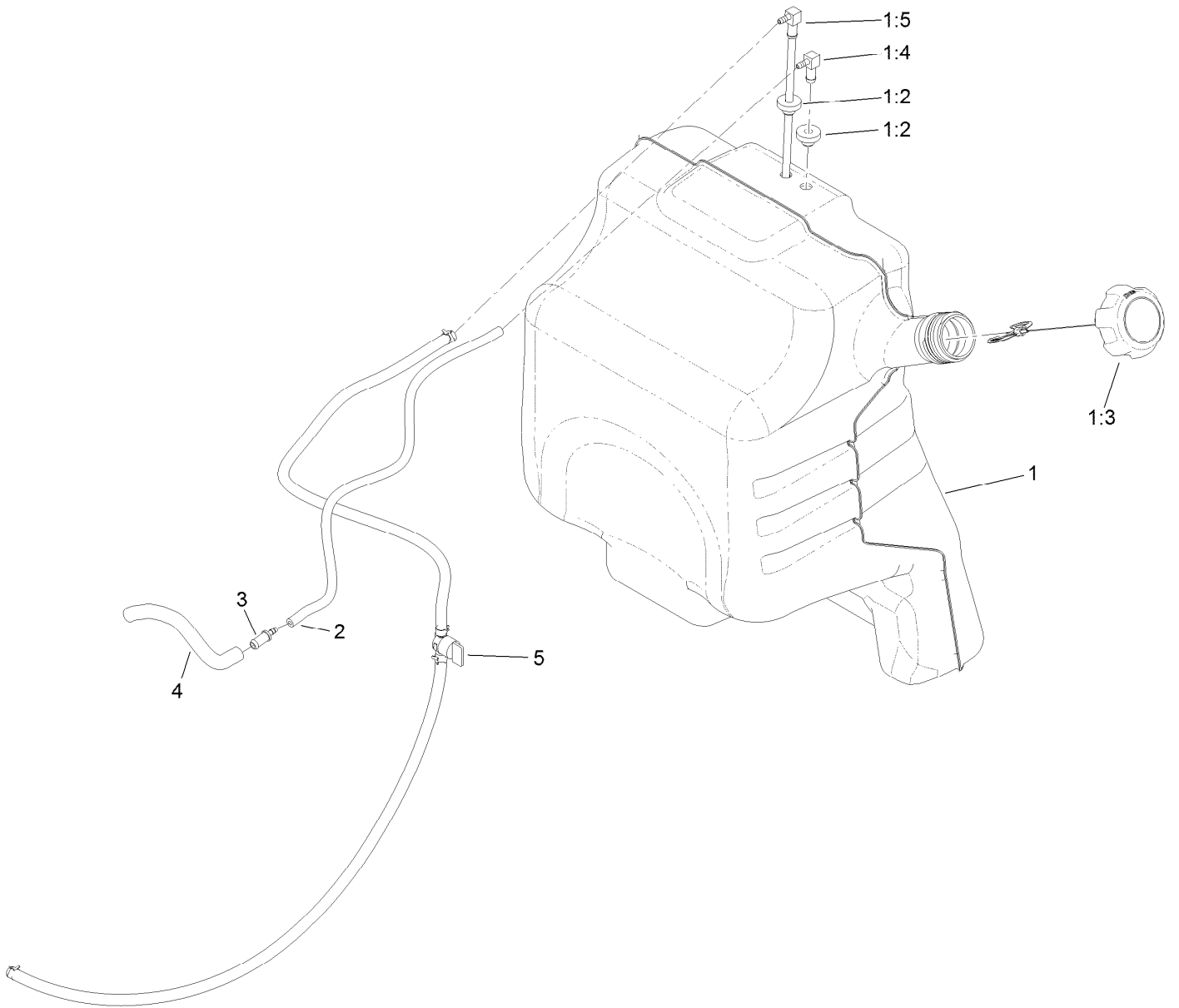
# Engine Assembly



## Engine Assembly (continued)

<i>Ref.</i>	<i>Part Number</i>	<i>Qty.</i>	<i>Description</i>	<i>Ref.</i>	<i>Part Number</i>	<i>Qty.</i>	<i>Description</i>
1	131-1157	1	Engine-Kohler, Ecv740	20	131-3586-03	1	Stop-Clutch
1:1	131-7400	1	Bracket-Muffler	21	32144-70	4	Screw-HWHTF
1:2	110-6697	2	Gasket-Exhaust	22	132-5152	1	Throttle ASM
1:3	68-9400	4	Nut-Flange	23	1-807533	2	Bolt-CARR
1:4	116-5395	1	Sensor-Oxygen	24	32128-17	2	Nut-Lock, Flange
2	98-5975	4	Washer-Belleville	25	1-603175	1	Knob-Ball
3	126-0983	4	Screw-BHTF	26	131-3550	1	Muffler Guard ASM
5	132-1168	1	Bracket-Muffler	26:2	106-5517	1	Decal-Warning
6	3234-42	2	Screw-HHF	29	94-2579	1	Decal
8	104-8301	2	Nut-HF, NI	30	131-3530-03	1	Bracket-Mounting, Guard
9	133-4634	1	Muffler-Kohler	31	106-9758	1	Screw-CARR
12	3234-17	4	Screw-HHF	32	3230-23	4	Bolt-CARR
13	32128-25	9	Nut-HF	34	3290-378	1	Tie-Cable
14	1-807259	1	Key	35	133-4657	1	Hose ASM
15	120-8498	1	Pulley	35:2	353-508	1	Plug-HH
16	138-8800	1	Clutch-200Cms	35:2:1	237-42	1	O-Ring
17	107-4136	1	Washer-Flat	36	94-9695	1	Filter-Fuel
18	1-603610	1	Washer-Spring	37	98020	1	Filter-Oil
19	3212-6	1	Screw-HH				

# Fuel Tank Assembly



## Fuel Tank Assembly (continued)

<i>Ref.</i>	<i>Part Number</i>	<i>Qty.</i>	<i>Description</i>	<i>Ref.</i>	<i>Part Number</i>	<i>Qty.</i>	<i>Description</i>
1	132-7560	1	Fuel Tank ASM	2	110-8255	1	Hose-Fuel
1:2	46-6560	2	Bushing	3	98-2952	1	Fitting-Straight
1:3	137-4127	1	Cap-Fuel	4	132-7576	1	Hose-Fuel
1:4	104-5228	1	Fitting-Elbow, 90 DEG	5	132-7545	1	Fuel Line ASM
1:5	132-7559	1	*obs* Fuel Tube ASM				



## Wire Harness Assembly (continued)

<i>Ref.</i>	<i>Part Number</i>	<i>Qty.</i>	<i>Description</i>	<i>Ref.</i>	<i>Part Number</i>	<i>Qty.</i>	<i>Description</i>
1	136-5422	1	Harness-Wire	13	114-0279	1	Switch-PTO, On-On
2	82-2190	3	Switch-Bail	14	137-4101	1	Switch-Ignition
3	104-8162	1	Battery	15	63-8360	1	Key-Ignition
4	130-6635-01	1	Bracket-Hold Down, Battery	16	3253-3	1	Washer-Lock
5	104-7201	2	Nut-HF, NI	17	3217-5	1	Nut-Hex
6	1-633651	2	Bolt-Holddown	18	3290-500	1	Screw-PPH
7	112-7063	1	Cable-Battery, Black	19	3256-14	1	Washer-Flat
8	130-6570	1	Module-Meter, Hour	20	3296-2	1	Nut-Lock, NI
9	3256-23	2	Washer-Plain	21	1-643275	1	Relay
10	322-3	2	Screw-HH	22	67-1300	1	Decal
11	115-3864	1	Cable-Battery, Positive	23	1-643267	1	Indicator-LED, Red
12	109-5715	2	Nut-HHF, Smooth	99	3290-378	4	Tie-Cable

# Attachments and Accessories

## For 74513 GrandStand Mower With 60in TURBO FORCE Cutting Unit

<b>Product Name</b>	<b>Model/Part</b>
Air Cleaner Filter.....	100-4556
Filter Air Safety.....	103-1326
Blade-Mid Flow, 20.5in.....	105-7715-03
Blade-Lo Flow, 20.5in.....	105-7716-03
Blade-Hi Flow, 20.5in.....	105-7718-03
Blade-Recycler, 20.5in.....	105-7777-03
Blade-Atomic, 20.5in.....	105-8777-03
Turbo Baffle Kit.....	107-1634
6 Pack Blade, 20.5in Hi-Flow.....	108-1114
6 Pack-Blade, 20.5in Atomic.....	108-1115
6 Pack Blade, 20.5in Mid-Flow.....	108-1123
6 Pack-Blade, 20.5in Lo Flow.....	108-1128
6 Pack-Blade, 20.5in Recycler.....	110-0405
15-Pound Cast Weight.....	112-7059-01
Hypr-Oil 500 (quart).....	114-4713
Hypr-Oil 500 (gallon).....	114-4714
Hypr-Oil 500-5 (5 gallon).....	114-4715
Recycler Kit.....	115-7468
Brake Hub Puller.....	116-6518
Harness Wire Splitter.....	121-5988
Spark Plug.....	130-8380
Fuel Filter.....	130-8381
Toro Premium Fuel Treatment 12oz Bottle.....	131-6572
60 In Blade And Belt Kit.....	132-4742
Hydro Filter Kit.....	132-4743
Speed Setting Tool.....	132-7595
Stand-On Weight Kit.....	133-1428
Chute Gate Kit W/ Bag.....	133-1434
Trash Bag Assembly.....	133-1435
Roller Striper Kit.....	133-1436
Light Kit.....	133-1437
Electric Accessory Port.....	133-1438
HOC Set Blocks.....	133-1439
Trimmer Rack.....	133-1441
Hydro Oil Change Kit.....	133-1457
Strobe Light Kit.....	133-1495
5 Gallon Bucket.....	133-2533
Hydraulic Cap Lock Kit.....	136-5420
Bucket Mount Kit.....	136-5681
Pneumatic Castor Wheel Kit.....	137-4136
Bagger Enhancement Kit.....	139-1529
Starter Fuse Kit, GrandStand Mower.....	139-5555
18x8.5n10 X-Tweel Turf.....	139-7890
6in Hose Kit, E-Z Vac Twin Bagger, 2016 and After Grandstand Mower.....	139-7930
Blower Upgrade Kit, Twin Bagger, 2016 and After Grandstand Mower.....	139-7940
Soft Bag (3 Bushel).....	30104

# Attachments and Accessories (continued)

10W30 4-Cycle Engine Oil (32oz Bottle).....	38280
Toro 4-Cycle SAE 30 Oil (32oz Bottle) .....	38903
Twin Bagger Kit.....	78524
Blower Drive 60-in .....	78527
E-Z Vac Bagger .....	78570
60in EZ Vac Blower.....	78576
Spark Arrestor .....	98-9099
Filter-Oil .....	98020



**Count on it.**