



Count on it.

Parts Catalog

**52in Z Master® 4000 Series
Riding Mower**

Model No. 74050TA—Serial No. 410167664 and Up



Ordering Replacement Parts

To order replacement parts, please supply the part number, the quantity, and the description of each part desired.

Understanding Reference Numbers

Each identified part in an illustration has a reference number. The reference number for a part also appears in the parts list, along with other information about the part.

This catalog uses two special reference number formats, one to indicate parts in a service assembly and another to indicate the quantity of a given part in an illustration.

Service Assembly Reference Numbers

Parts in service assemblies have reference numbers in the form a:b. The a represents the reference number of the entire service assembly and the b represents a sequential number unique to each part within the service assembly.

For example, a wheel assembly might be identified by reference number 6, the tire by 6:1, the valve by 6:2, and the wheel by 6:3. When you order the assembly identified by reference number 6, you receive all parts identified by reference numbers 6:1, 6:2, and 6:3. However, you may also order any part individually. Reference numbers of this type appear in illustration and in parts lists.

Reference Numbers Indicating Quantity

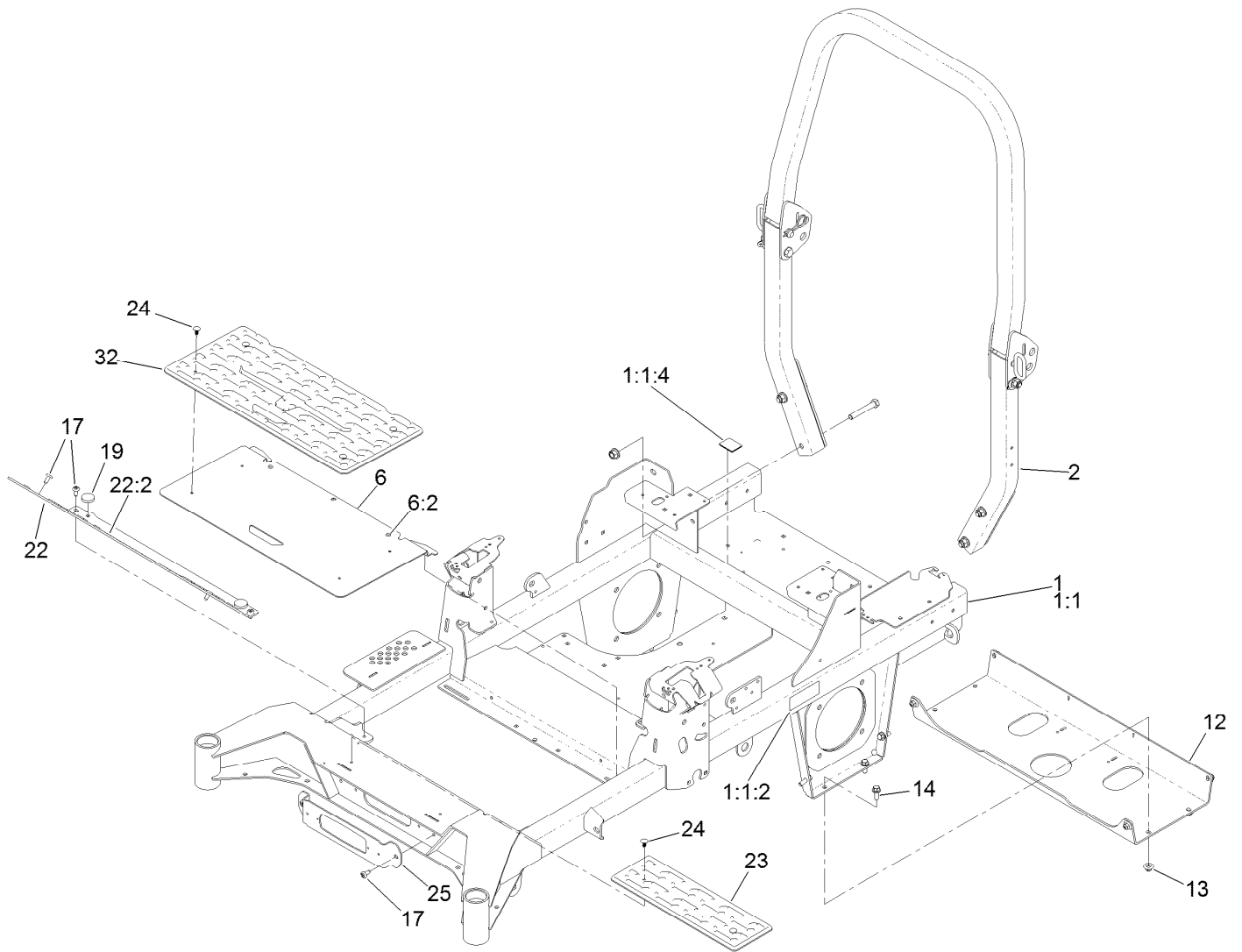
In an illustration, if a reference number indicates more than one part, the reference number has the form nX y. The n represents the quantity of the part, the X is the multiplication symbol, and the y represents the reference number.

For example, in an illustration, the reference number 2X 37 means that two of the parts identified by reference number 37 are indicated.

Contents

Frame Assembly	4
Roll-Over Protection System Assembly No. 139-8062	6
Hydro Assembly	8
LH Transaxle Assembly No. 139-1074	10
RH Transaxle Assembly No. 139-1075	12
Throttle, Choke Cables and Guard Assembly	14
Fuel System Assembly	16
Fuel Tank Assembly No. 139-6722	18
Seat Mount Assembly	20
Seat Assembly No. 144-2632	22
Motion Control Assembly	24
Left and Right Control Arm Assembly	26
Caster Wheel Assembly	28
Caster Wheel and Fork Assembly	30
Rear Wheel Assembly	32
Electrical Assembly	34
Wire Harness Assembly No. 139-8078	36
Deck Lift Assembly	38
Deck Strut Assembly No. 140-1179	40
Engine, Clutch and Muffler Assembly	42
Decal Assembly	44
Deck Assembly	46
Deck Decal Assembly No. 144-6587	48
Spindle Assembly No. 137-9780	50
Deflector Assembly No. 144-2635	52
Idler Arm Assembly No. 139-1087	54
Attachments and Accessories	56

Frame Assembly



Frame Assembly (continued)

<i>Ref.</i>	<i>Part Number</i>	<i>Qty.</i>	<i>Description</i>	<i>Ref.</i>	<i>Part Number</i>	<i>Qty.</i>	<i>Description</i>
1	144-6589	1	Frame ASM	14	3234-42	8	Screw-HHF
1:1		1	Frame-48/52 ●	17	138-9753	6	Screw
1:1:2	126-4363	2	Decal-Warning	19	109-9233	2	Bumper-Push-In, Rubber
1:1:4	144-2687	1	Decal, Belt Routing	22	140-4995	1	Toeboard
2	139-8062	1	ASM-ROPS	22:2	126-8383	1	Decal-Danger
6	138-6098	1	Floor Pan ASM	23	140-4992	1	Step
6:2	109-9233	2	Bumper-Push-In, Rubber	24	117-2382	6	Plug-Plastic
12	139-6717-01	1	Plate-Hydro	25	140-4994-01	1	Bracket-Light
13	109-6658	8	Nut-Flange, NI	32	140-7950	1	Floormat-Fixed Seat

● Not serviced separately

Roll-Over Protection System Assembly No. 139-8062

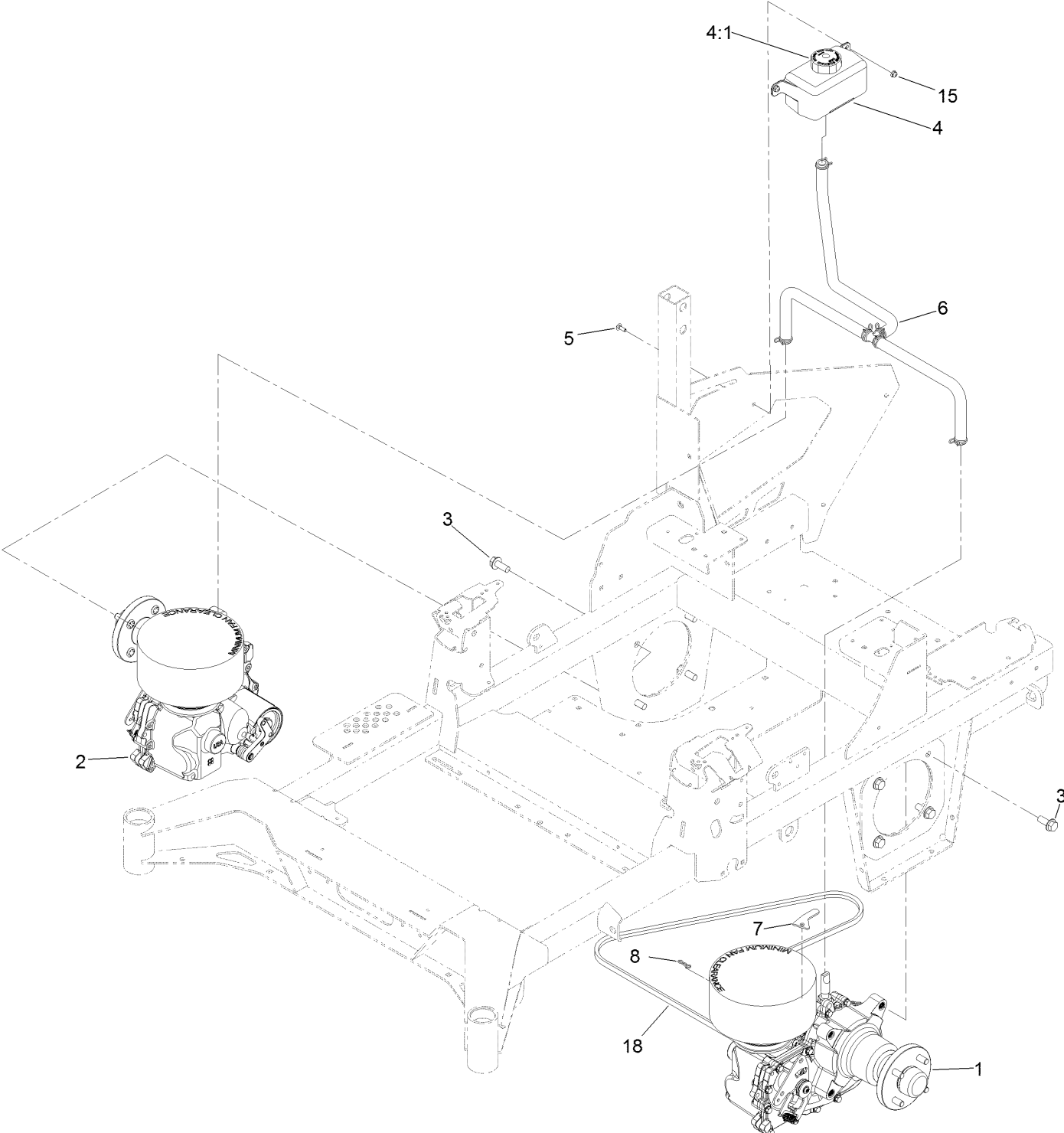


Roll-Over Protection System Assembly No. 139-8062 (continued)

<i>Ref.</i>	<i>Part Number</i>	<i>Qty.</i>	<i>Description</i>	<i>Ref.</i>	<i>Part Number</i>	<i>Qty.</i>	<i>Description</i>
1		1	Upper ROPS ASM ●	5	103-4553	2	ROPS Fold Pin ASM
1:2	107-3069	1	Decal-Warning	6	99-5107	6	Nut-Lock
2		1	RH Lower ROPS ASM ●	7	109-5337	2	Bumper-ROPS
3		1	LH Lower ROPS ASM ●	8	109-9505	4	Washer-Spring
4	126-9209	2	Bolt-Shoulder	9	325-13	4	Screw-HH

● Not serviced separately

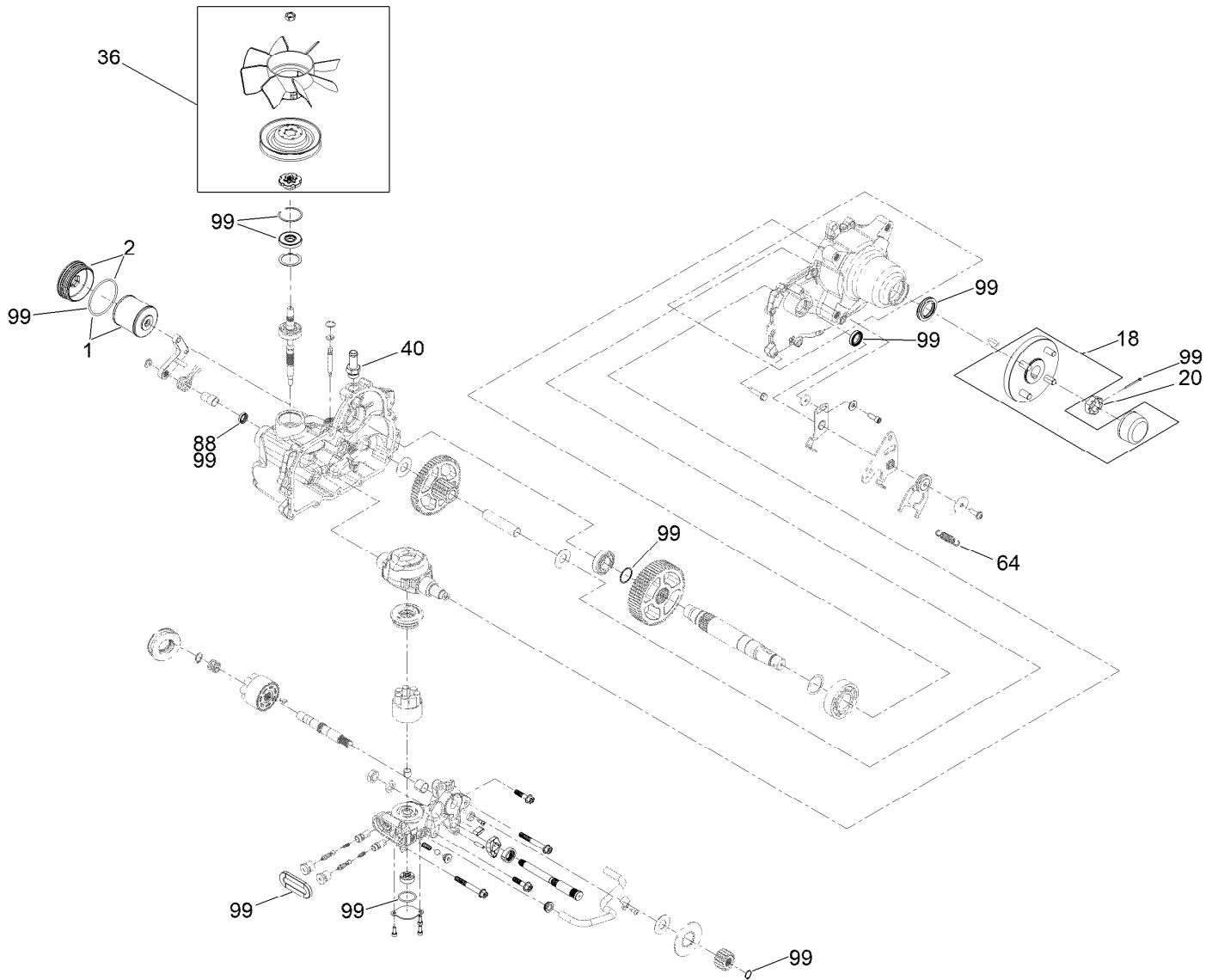
Hydro Assembly



Hydro Assembly (continued)

<i>Ref.</i>	<i>Part Number</i>	<i>Qty.</i>	<i>Description</i>	<i>Ref.</i>	<i>Part Number</i>	<i>Qty.</i>	<i>Description</i>
1	139-1074	1	LH Transaxle ASM	6	140-1225	1	ASM-Hose, Hydraulic
2	139-1075	1	RH Transaxle ASM	7	139-8091	2	Plate-Lever, Bypass
3	3234-38	8	Screw-HHF	8	119-1415	2	Pin-Cotter, Locking
4	119-9908	1	Hydraulic Reservoir ASM	15	104-7201	2	Nut-HF, NI
4:1	109-3320	1	Cap-Reservoir, HYD	18	140-7994	1	Belt-V
5	3229-28	2	Screw-CARR				

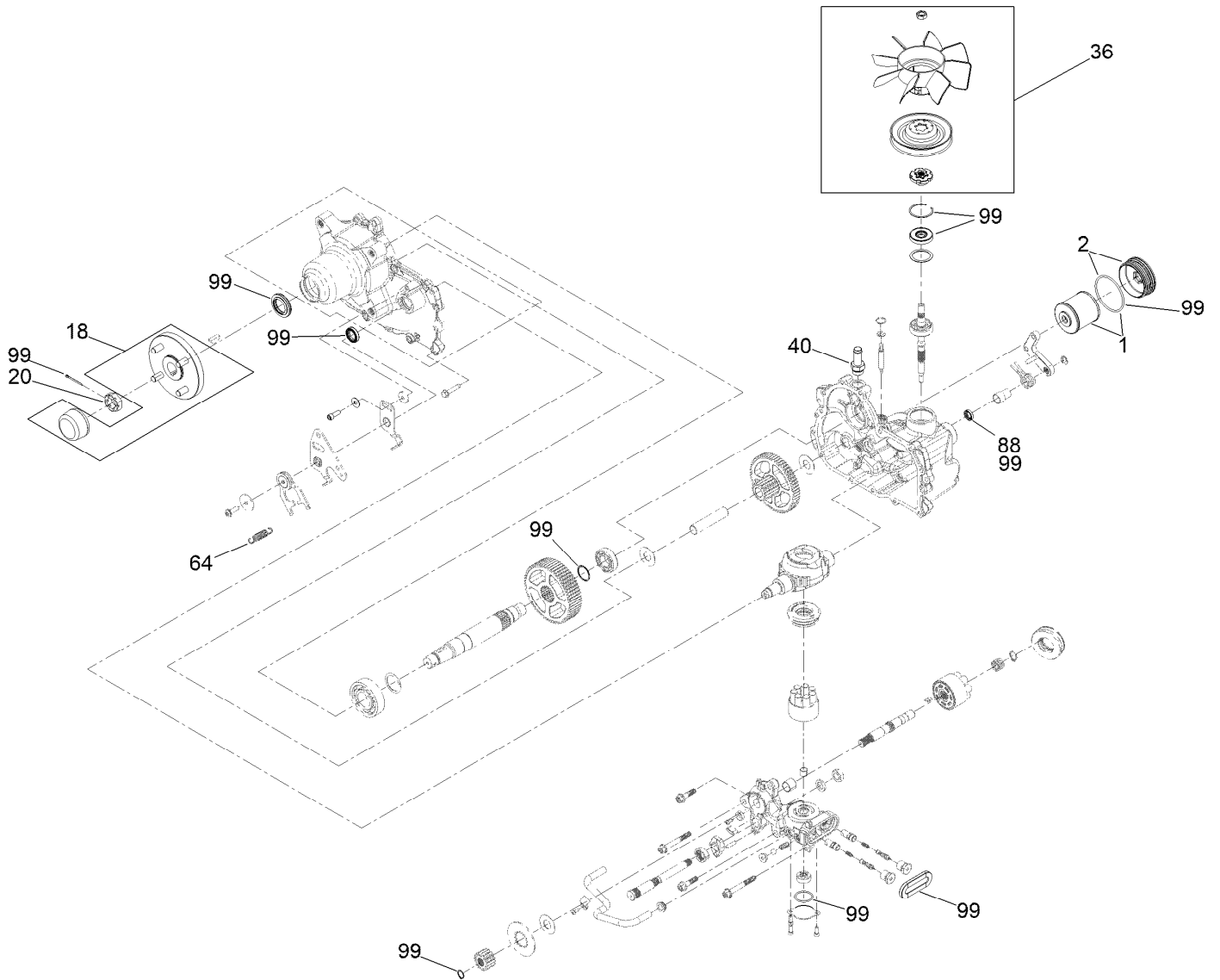
LH Transaxle Assembly No. 139-1074



LH Transaxle Assembly No. 139-1074 (continued)

<i>Ref.</i>	<i>Part Number</i>	<i>Qty.</i>	<i>Description</i>	<i>Ref.</i>	<i>Part Number</i>	<i>Qty.</i>	<i>Description</i>
1	144-6598	1	Kit, Filter	40	144-6601	1	Fitting-5/8 Beaded, 7/8 SAE
2	144-6599	1	Kit, Filler Cap	64	125-4684	1	Spring-Extension
18	144-6594	1	Hub-4 Bolt	88	145-3637	1	Seal, Brake
20	144-6595	1	Nut, Slotted	99	144-6600	1	Kit, Seal
36	144-6597	1	Kit, Fan And Pulley				

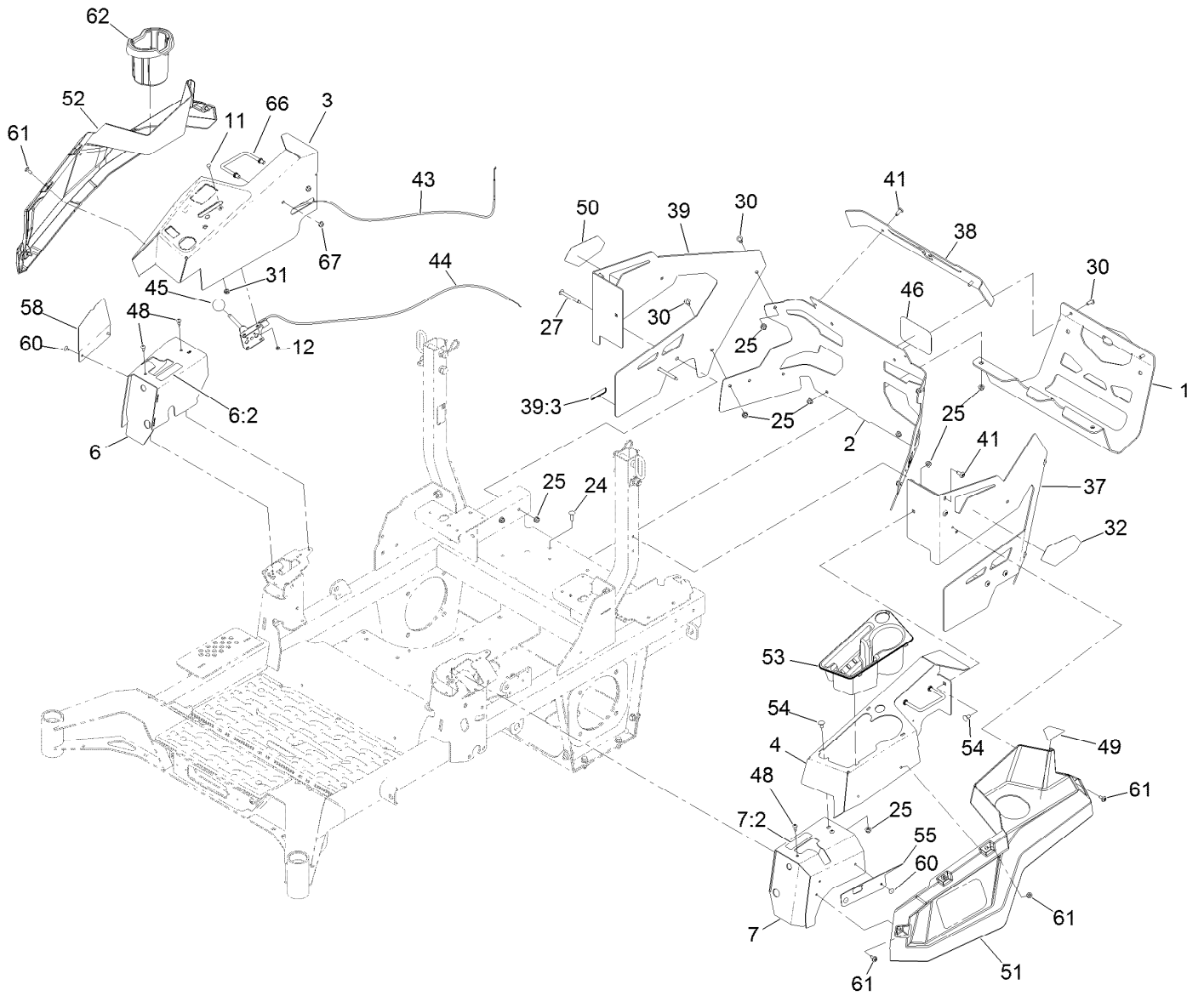
RH Transaxle Assembly No. 139-1075



RH Transaxle Assembly No. 139-1075 (continued)

<i>Ref.</i>	<i>Part Number</i>	<i>Qty.</i>	<i>Description</i>	<i>Ref.</i>	<i>Part Number</i>	<i>Qty.</i>	<i>Description</i>
1	144-6598	1	Kit, Filter	40	144-6601	1	Fitting-5/8 Beaded, 7/8 SAE
2	144-6599	1	Kit, Filler Cap	64	125-4684	1	Spring-Extension
18	144-6594	1	Hub-4 Bolt	88	145-3637	1	Seal, Brake
20	144-6595	1	Nut, Slotted	99	144-6600	1	Kit, Seal
36	144-6597	1	Kit, Fan And Pulley				

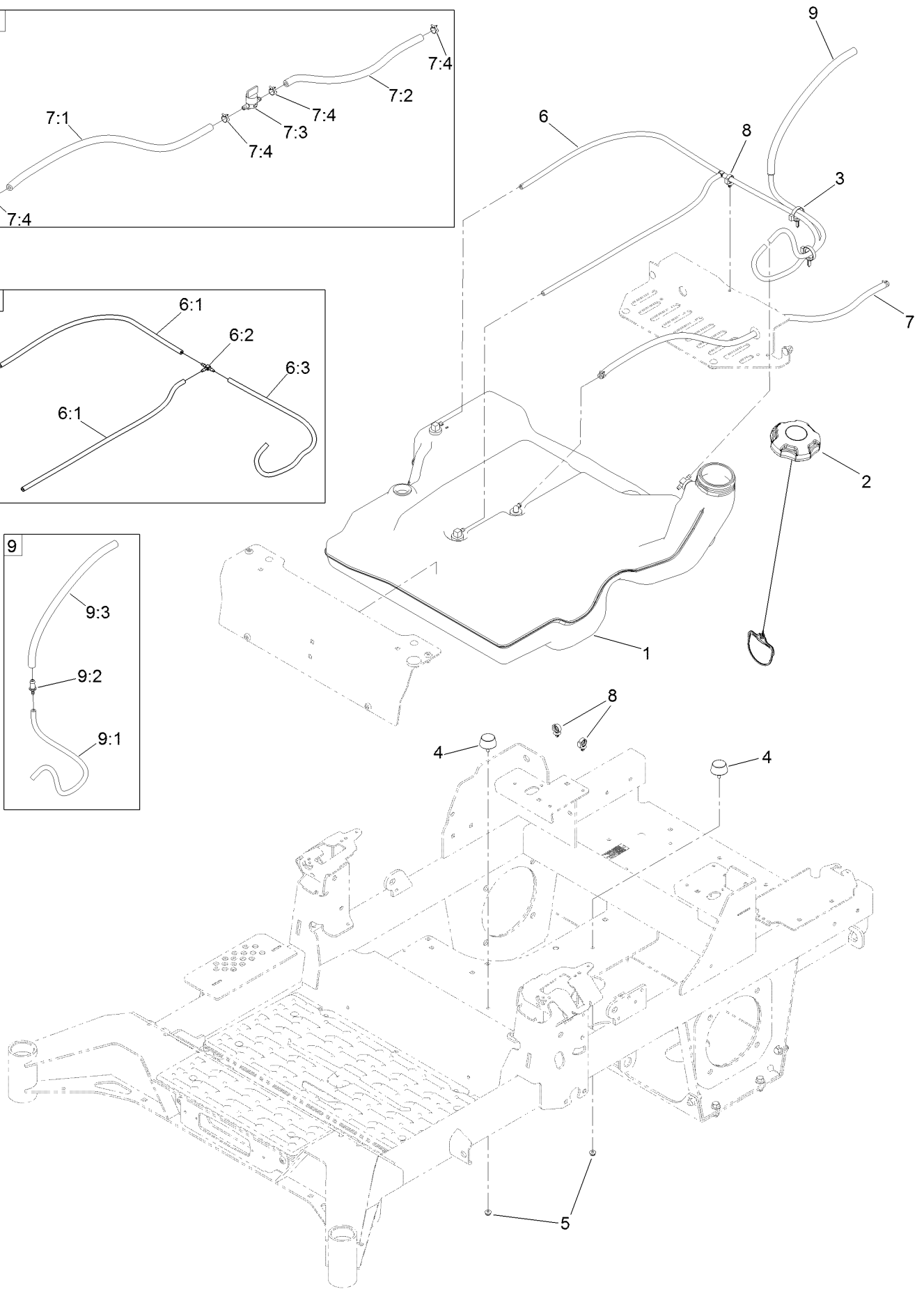
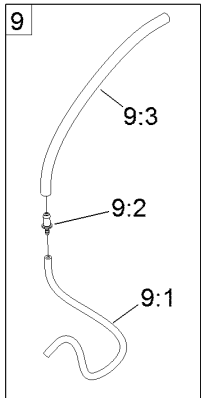
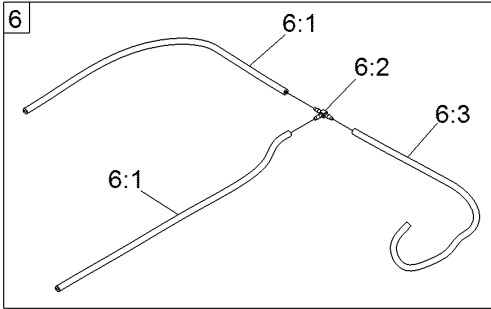
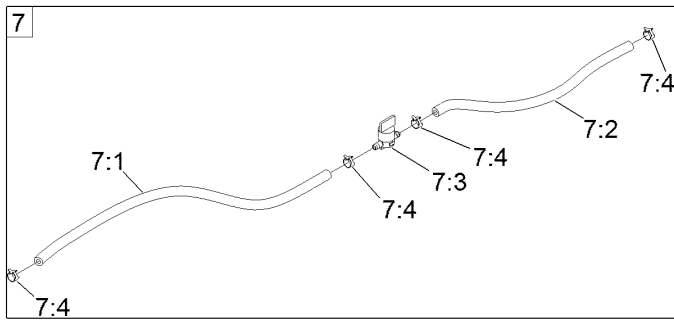
Throttle, Choke Cables and Guard Assembly



Throttle, Choke Cables and Guard Assembly (continued)

<i>Ref.</i>	<i>Part Number</i>	<i>Qty.</i>	<i>Description</i>	<i>Ref.</i>	<i>Part Number</i>	<i>Qty.</i>	<i>Description</i>
1	139-6719-03	1	Guard-Muffler [black]	41	138-9753	6	Screw
2	144-2637	1	Rear Guard ASM	43	139-6735	1	Cable-Control, Choke
3	144-6551-01	1	Console-RH	44	139-6734	1	Cable-Control, Throttle
4	144-2638-01	1	Console-LH	45	1-603175	1	Knob-Ball
6	140-4867	1	RH Cover ASM	46	105-8278	1	Decal
6:2	99-8936	1	Decal-Control, Motion	48	87-6620	4	Screw-Tph Thd Form
7	140-4866	1	LH Cover ASM	49	126-9939	1	Decal-Fill, Fuel
7:2	99-8936	1	Decal-Control, Motion	50	140-7987	1	Decal-4000 Series, RH
11	1-807513	2	Bolt-CARR	51	140-7979	1	Side Pod, LH
12	3296-2	2	Nut-Lock, NI	52	140-7980	1	Side Pod, RH
24	3230-22	2	Screw-CARR	53	140-7968	1	Cup Holder
25	104-8300	16	Nut-HF, NI	54	3230-18	4	Screw-CARR
27	126-6267	4	Screw-TTH	55	140-7996-03	1	Plate-Cover, LH Front
30	126-6268	6	Screw-TTH	58	140-7998-03	1	Plate-Cover, RH Front
31	3220-3	1	Nut-HJ	60	132-5064	4	Rivet-Pop
32	139-1149	1	Decal - 4000 Series, LH	61	120-7950	8	Screw-Torx
37	140-7952-01	1	Guard-Rear, LH	62	140-8019	1	Cupholder-RH
38	140-1221-01	1	Guard-Rear, Top	66	144-2642	2	Rod-Support, Pod
39	140-4865	1	RH Rear Guard ASM	67	3296-59	4	Nut-Lock, NI
39:3	133-8062	1	Decal-Spark Arrestor				

Fuel System Assembly



Fuel System Assembly (continued)

<i>Ref.</i>	<i>Part Number</i>	<i>Qty.</i>	<i>Description</i>	<i>Ref.</i>	<i>Part Number</i>	<i>Qty.</i>	<i>Description</i>
1	139-6722	1	Fuel Tank ASM	7:1	109-0298	1	Line-Fuel
2	135-4801	1	Cap-Fuel, Ratcheting	7:2	114-3766	1	Hose-Fuel
3	104-2490	2	Clamp-Hose	7:3	1-603770	1	Valve-Fuel
4	131-8834	2	Bumper	7:4	2412-98	4	Clamp-Hose
5	104-7201	2	Nut-HF, NI	8	126-5523	3	Clip
6	139-8067	1	Vent Hose ASM	9	140-4957	1	ASM-Fuel Vent
6:1	138-3152	2	Hose-Fuel	9:1	138-3152	1	Hose-Fuel
6:2	120-2234	1	Fitting-Tee	9:2	116-4630	1	Fitting-Orifice, Straight
6:3	140-4956	1	Hose-Fuel	9:3	116-4344	1	Hose-Fuel
7	139-8068	1	Fuel Hose ASM				

Fuel Tank Assembly No. 139-6722

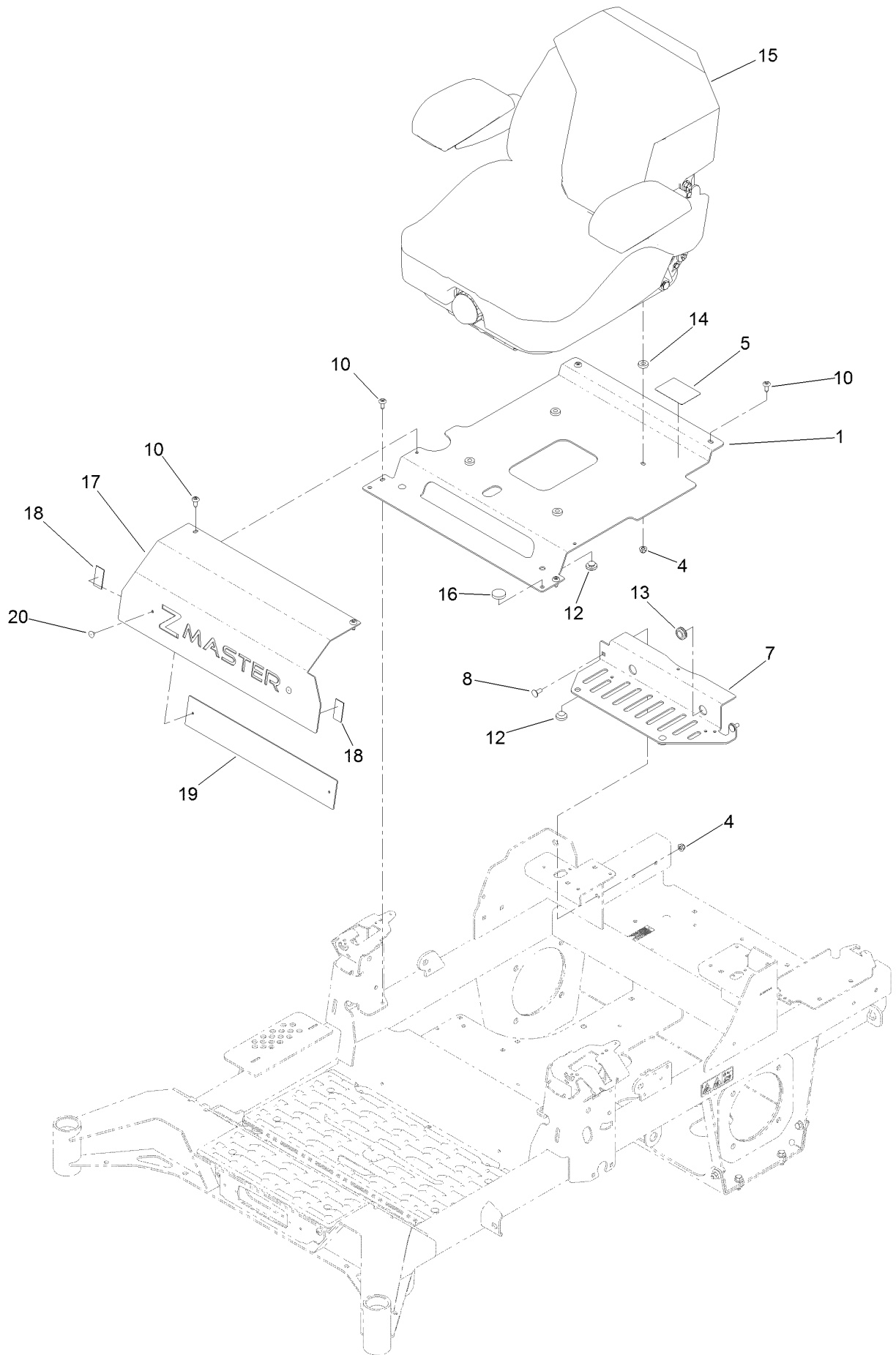


Fuel Tank Assembly No. 139-6722 (continued)

<i>Ref.</i>	<i>Part Number</i>	<i>Qty.</i>	<i>Description</i>
2	46-6560	4	Bushing
3	140-4955	1	Connector Elbow-90 DEG
4	133-9269	1	Grommet-Fuel

<i>Ref.</i>	<i>Part Number</i>	<i>Qty.</i>	<i>Description</i>
5	139-8058	1	Gauge-Fuel
6	126-9057	2	Fitting-90 DEG
7	140-4954	1	Fitting-Tee

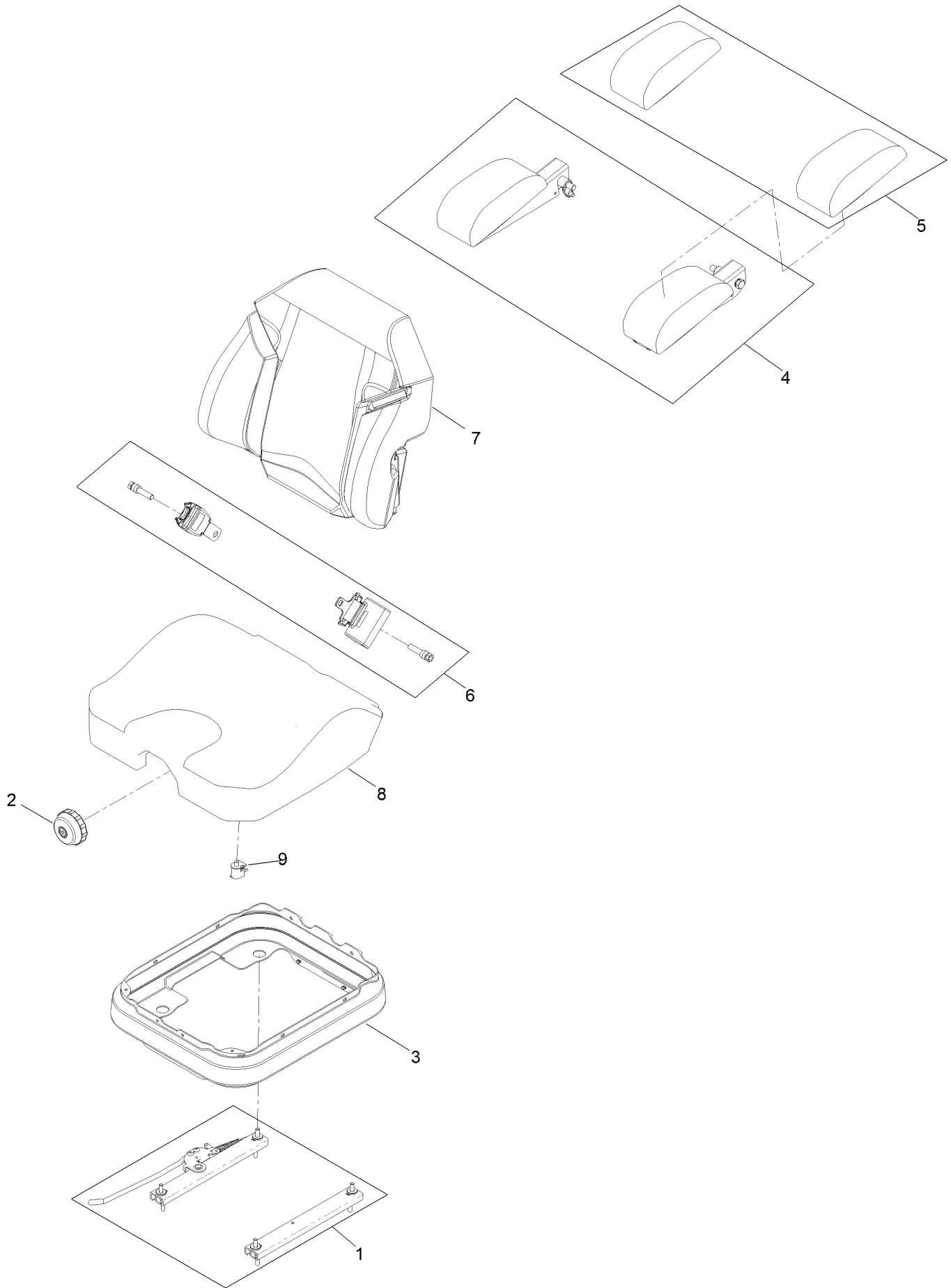
Seat Mount Assembly



Seat Mount Assembly (continued)

<i>Ref.</i>	<i>Part Number</i>	<i>Qty.</i>	<i>Description</i>	<i>Ref.</i>	<i>Part Number</i>	<i>Qty.</i>	<i>Description</i>
1	140-1165-03	1	Pan-Seat [black]	14	5-0652	4	Spacer
4	104-8300	6	Nut-HF, NI	15	144-2632	1	Seat ASM-Suspension
5	144-2669	1	Decal-Service Aid	16	109-9233	1	Bumper-Push-In, Rubber
7	139-6707-03	1	Plate-Tank Retainer, Rear	17	140-1207-03	1	Plate-Tank Retainer, Front
8	3230-23	2	Bolt-CARR	18	130-0733	2	Pad-Rubber
10	138-9753	6	Screw	19	140-4910-01	1	Plate-Backer
12	135-0505	4	Bumper-Seat	20	132-5064	2	Rivet-Pop
13	112-7069	1	Grommet				

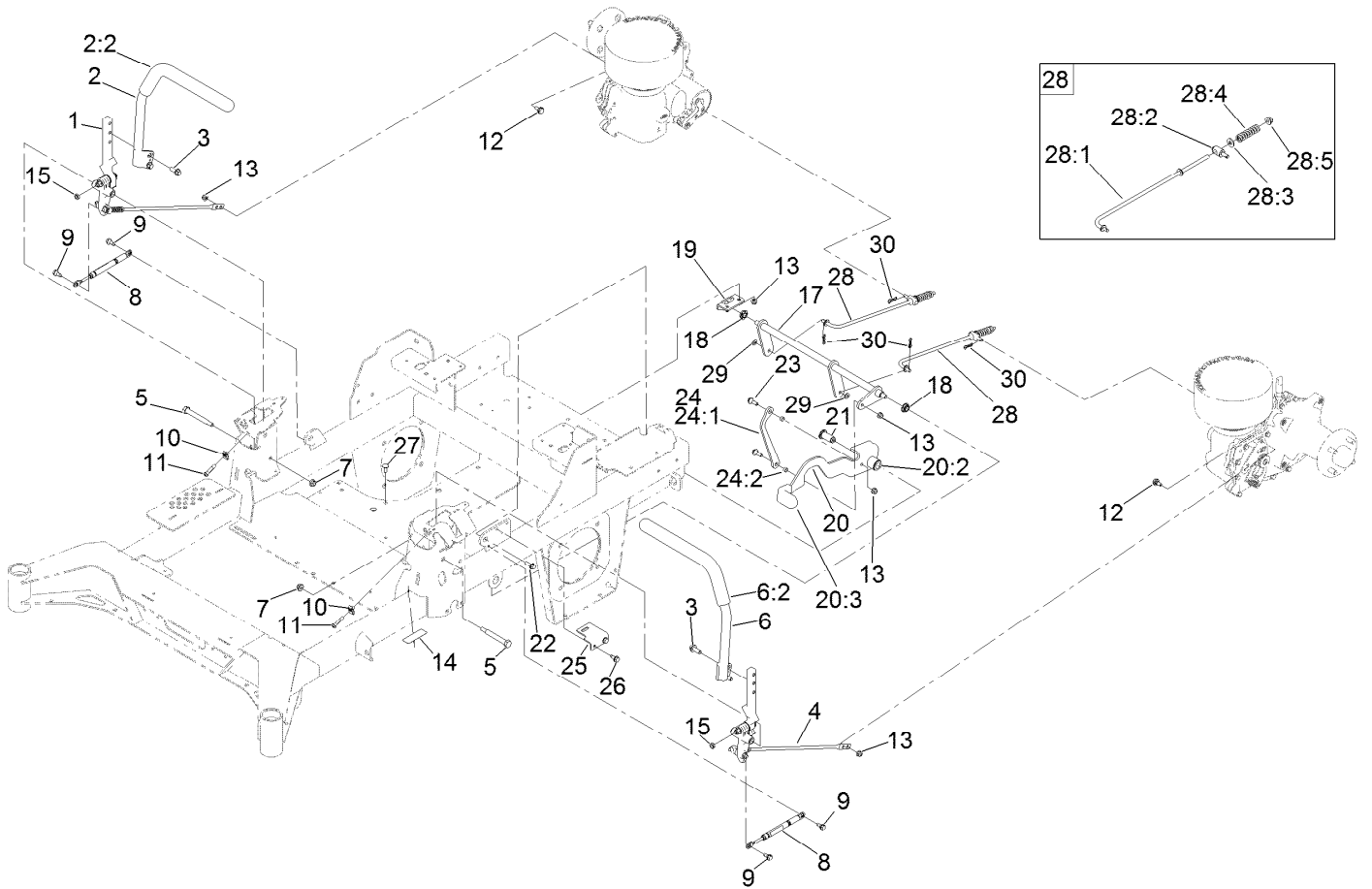
Seat Assembly No. 144-2632



Seat Assembly No. 144-2632 (continued)

<i>Ref.</i>	<i>Part Number</i>	<i>Qty.</i>	<i>Description</i>	<i>Ref.</i>	<i>Part Number</i>	<i>Qty.</i>	<i>Description</i>
1	140-8012	1	Seat Track Set	6	126-8560	1	Kit-Seat Belt
2	116-8911	1	Knob-Adjuster	7	145-3643	1	Cover-Back, Seat
3	126-8559	1	Bellows-Seat	8	145-3659	1	Cover-Bottom, Seat
4	145-3641	1	Armrest Kit	9	82-2190	1	Switch-Bail
5	145-3642	1	Pads-Armrest				

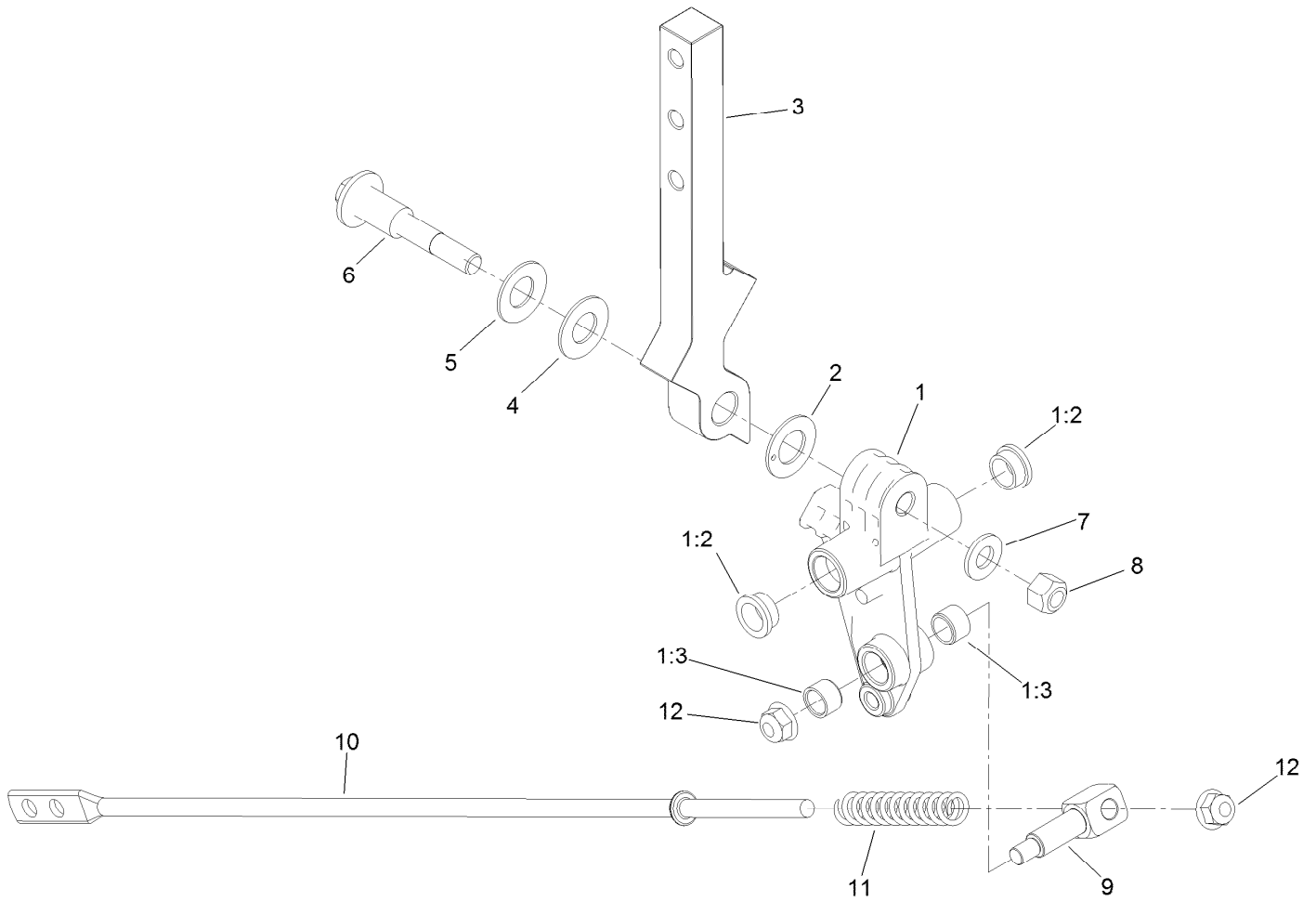
Motion Control Assembly



Motion Control Assembly (continued)

<i>Ref.</i>	<i>Part Number</i>	<i>Qty.</i>	<i>Description</i>	<i>Ref.</i>	<i>Part Number</i>	<i>Qty.</i>	<i>Description</i>
1	139-6697	1	Motion Control ASM-RH	20	139-6726	1	Brake Lever ASM W/Grip
2	139-1089	1	Handle ASM - RH	20:2	109-8054	2	Bushing-Flange
2:2	109-5668	1	Grip-Lever, Control	20:3	132-4749	1	Grip-Lever
3	3234-42	4	Screw-HHF	21	139-6743	1	Pivot-Handle
4	139-6696	1	Motion Control ASM-LH	22	3234-29	1	Screw-HHF
5	115-5099	2	Bolt-Pivot	23	116-2670	2	Screw-Shoulder
6	139-1090	1	Handle ASM - LH	24	144-6566	1	Brake Link ASM
6:2	109-5668	1	Grip-Lever, Control	24:1	144-6565	1	Plate-Link, Handle
7	104-8301	2	Nut-HF, NI	24:2	116-4976	2	Bushing-Sleeve
8	126-4322	2	Damper	25	139-6745	1	Plate-Switch
9	126-4424	4	Screw-Shoulder	26	32144-70	2	Screw-HWHTF
10	112-3306	2	Nut	27	3230-23	2	Bolt-CARR
11	126-4299	2	Screw-HSBH	28	144-0353	2	Brake Rod ASM
12	37-8771	2	Bolt-Shoulder, HF	28:1	140-4952	1	Rod-Brake
13	104-8300	6	Nut-HF, NI	28:2	139-6741	1	Fitting-Rod
14	115-9625	1	Decal-Brake, Parking	28:3	3256-3	1	Washer-Flat
15	3218-3	2	Nut-Jam	28:4	144-2645	1	Spring-Compression
17	144-2658	1	Brake ASM	28:5	104-8301	1	Nut-HF, NI
18	126-5820	2	Bearing-Spherical	29	3256-45	2	Washer-Flat
19	139-6742	1	Bracket-Brake	30	119-1415	4	Pin-Cotter, Locking

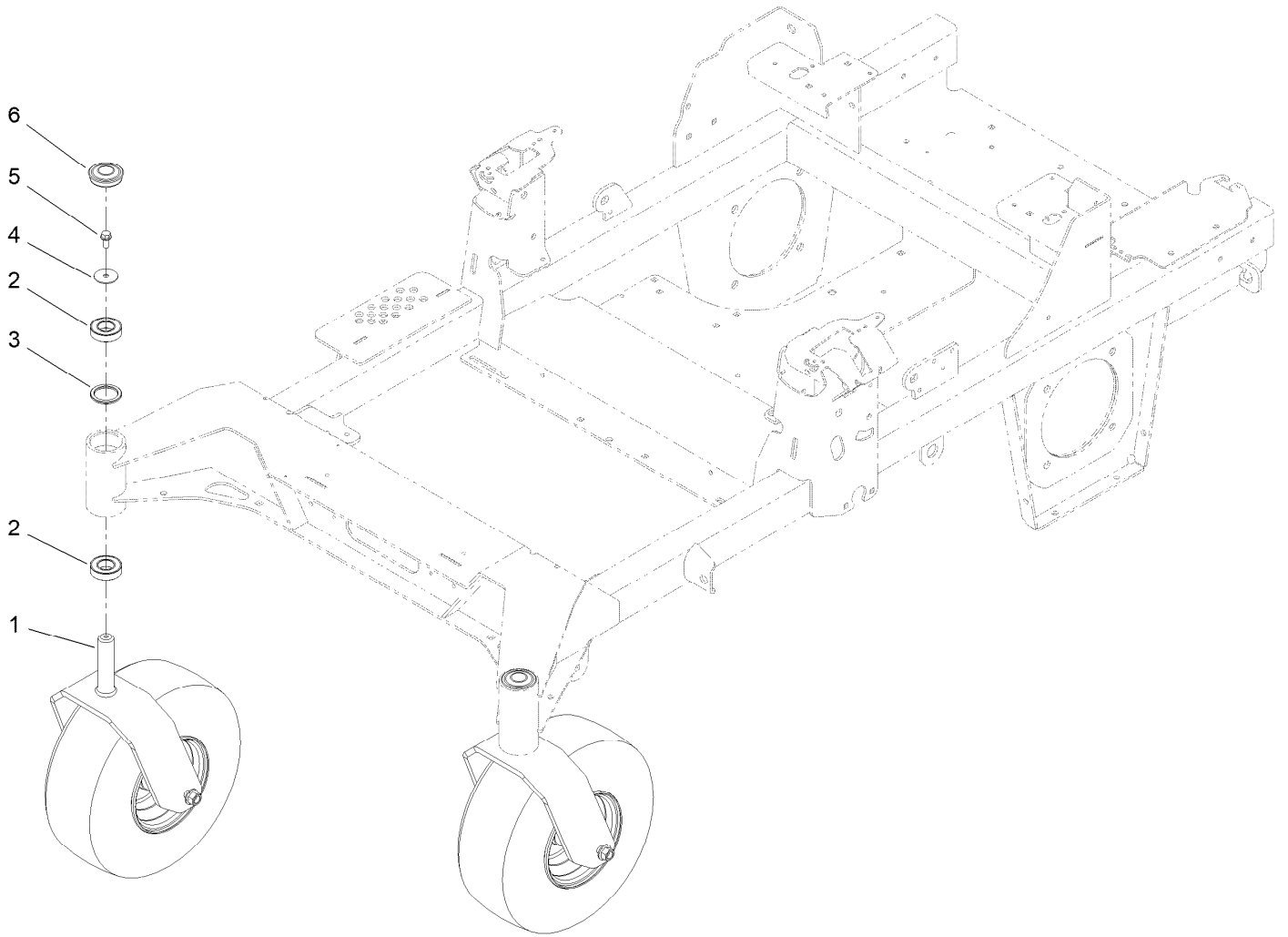
Left and Right Control Arm Assembly



Left and Right Control Arm Assembly (continued)

<i>Ref.</i>	<i>Part Number</i>	<i>Qty.</i>	<i>Description</i>	<i>Ref.</i>	<i>Part Number</i>	<i>Qty.</i>	<i>Description</i>
1	126-3773	1	Control Arm ASM	6	117-1198	1	Bolt-Pivot
1:2	126-8909	2	Bushing	7	3256-24	1	Washer-Plain
1:3	1-413152	2	Bushing-Sleeve	8	32152-2	1	Nut-Lock, Cone
2	126-7296	1	Washer-Friction	9	126-5434	1	Swivel
3	126-8182	1	Arm-Control	10	140-4949	1	Link-Control
4	117-1240	1	Washer	11	126-8195	1	Spring-Return, Neutral
5	119-8925	1	Washer-Belleville	12	104-8300	2	Nut-HF, NI

Caster Wheel Assembly

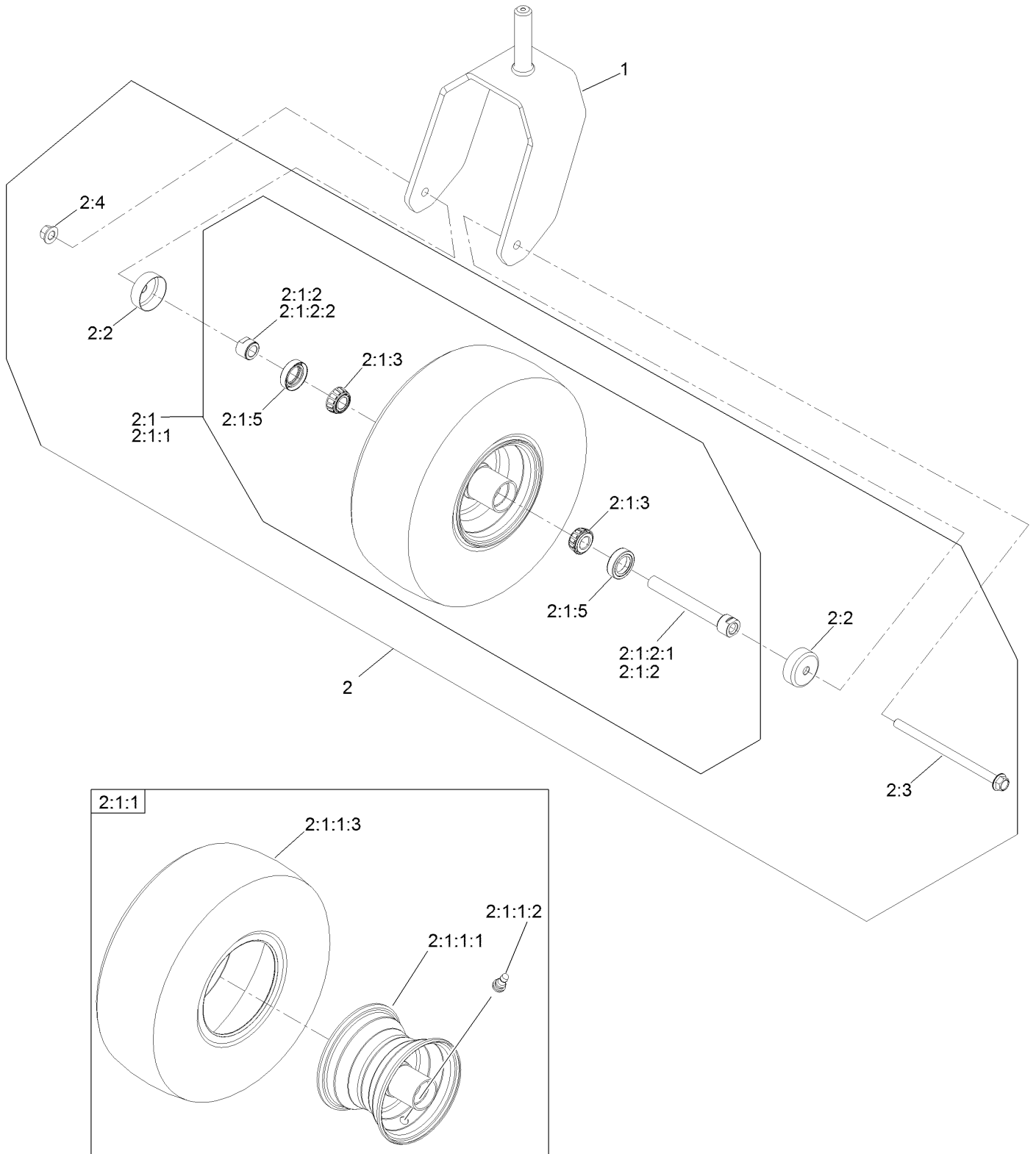


Caster Wheel Assembly (continued)

<i>Ref.</i>	<i>Part Number</i>	<i>Qty.</i>	<i>Description</i>	<i>Ref.</i>	<i>Part Number</i>	<i>Qty.</i>	<i>Description</i>
1		2	ASM-Front Caster W/Fork ●	4	3256-68	2	Washer-Flat
2	109-3678	4	Bearing-Ball	5	3234-5	2	Screw-HHF
3	145-3660	2	Spacer-Bearing	6	144-0375	2	Cap, Grease

● Not serviced separately

Caster Wheel and Fork Assembly

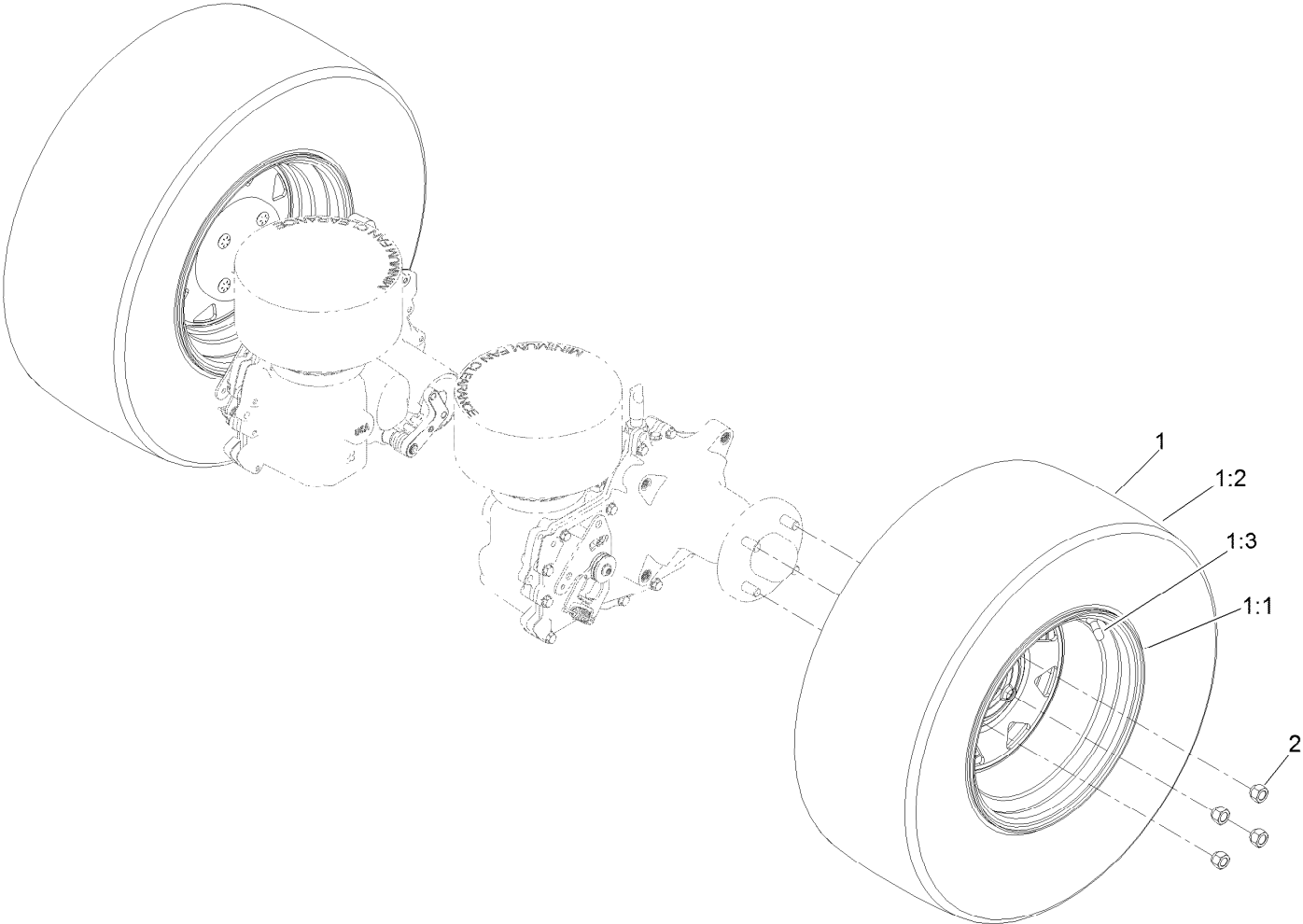


Caster Wheel and Fork Assembly (continued)

<i>Ref.</i>	<i>Part Number</i>	<i>Qty.</i>	<i>Description</i>	<i>Ref.</i>	<i>Part Number</i>	<i>Qty.</i>	<i>Description</i>
1	140-4941-01	1	Caster Fork [red]	2:1:2		1	Caster Axle ASM ●
2	140-4943	1	ASM-Pneumatic 15X6.50-6	2:1:2:1	126-5220	1	Axle-Caster
2:1		1	ASM Whl/Brgs 15X6.5-6 ●	2:1:2:2	103-3051	1	Spacer-Nut
2:1:1	140-4945	1	Wheel And Tire ASM 15X6.5-6	2:1:3	1-633585	2	Bearing-Cone, Taper
2:1:1:1	139-3624	1	Wheel Rim 6X4.5	2:1:5	103-0063	2	Seal-Caster
2:1:1:2	5108	1	Valve	2:2	103-2768	2	Guard-Seal
2:1:1:3	140-4946	1	Tire	2:3	126-5389	1	Screw-HHF
				2:4	99-5107	1	Nut-Lock

● Not serviced separately

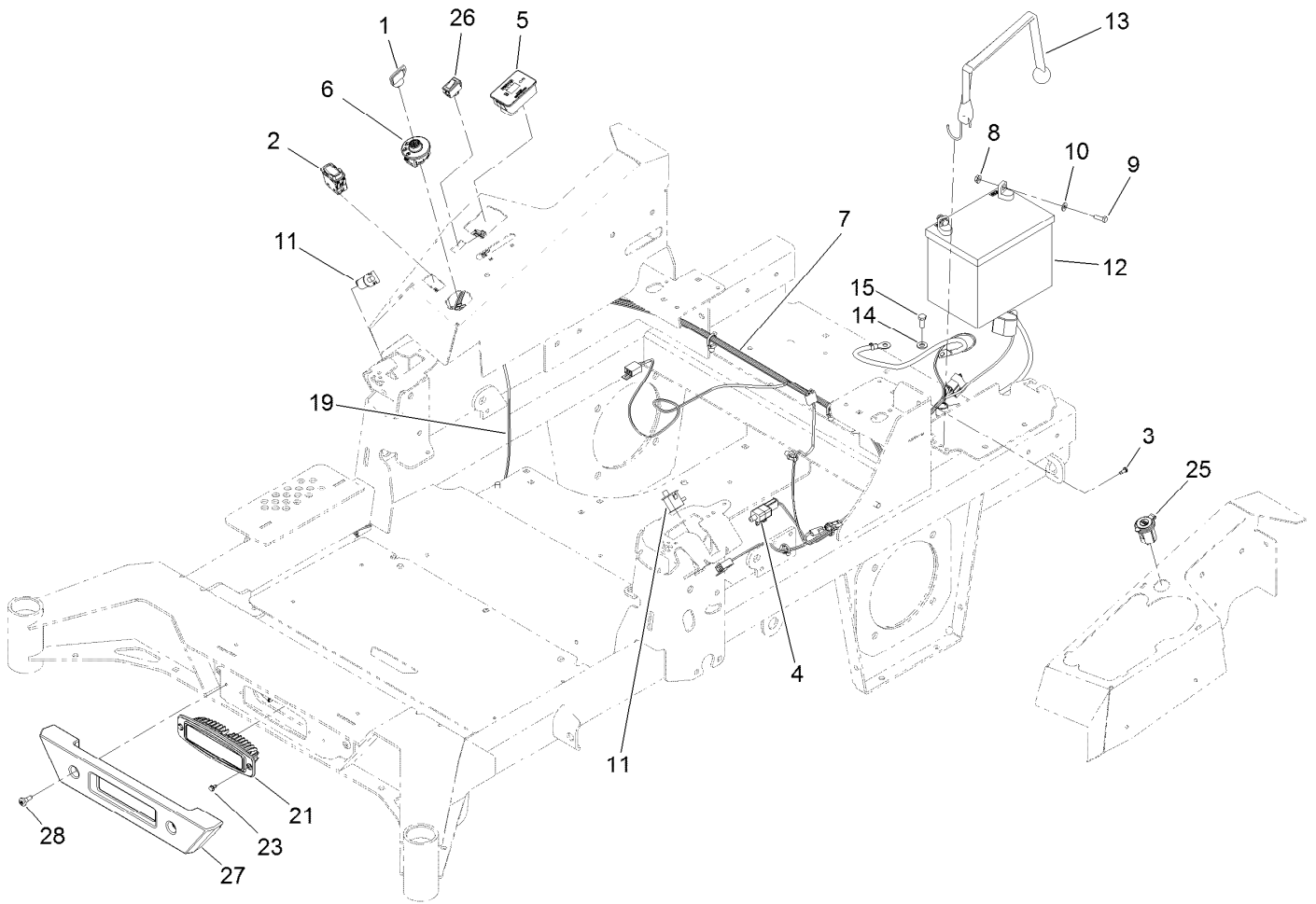
Rear Wheel Assembly



Rear Wheel Assembly (continued)

<i>Ref.</i>	<i>Part Number</i>	<i>Qty.</i>	<i>Description</i>	<i>Ref.</i>	<i>Part Number</i>	<i>Qty.</i>	<i>Description</i>
1	140-7981	2	Wheel And Tire ASM	1:3	232-27	1	Stem-Valve
1:1	140-7969	1	Wheel	2	242-50	2	Nut-Lug
1:2	140-7985	1	Tire				

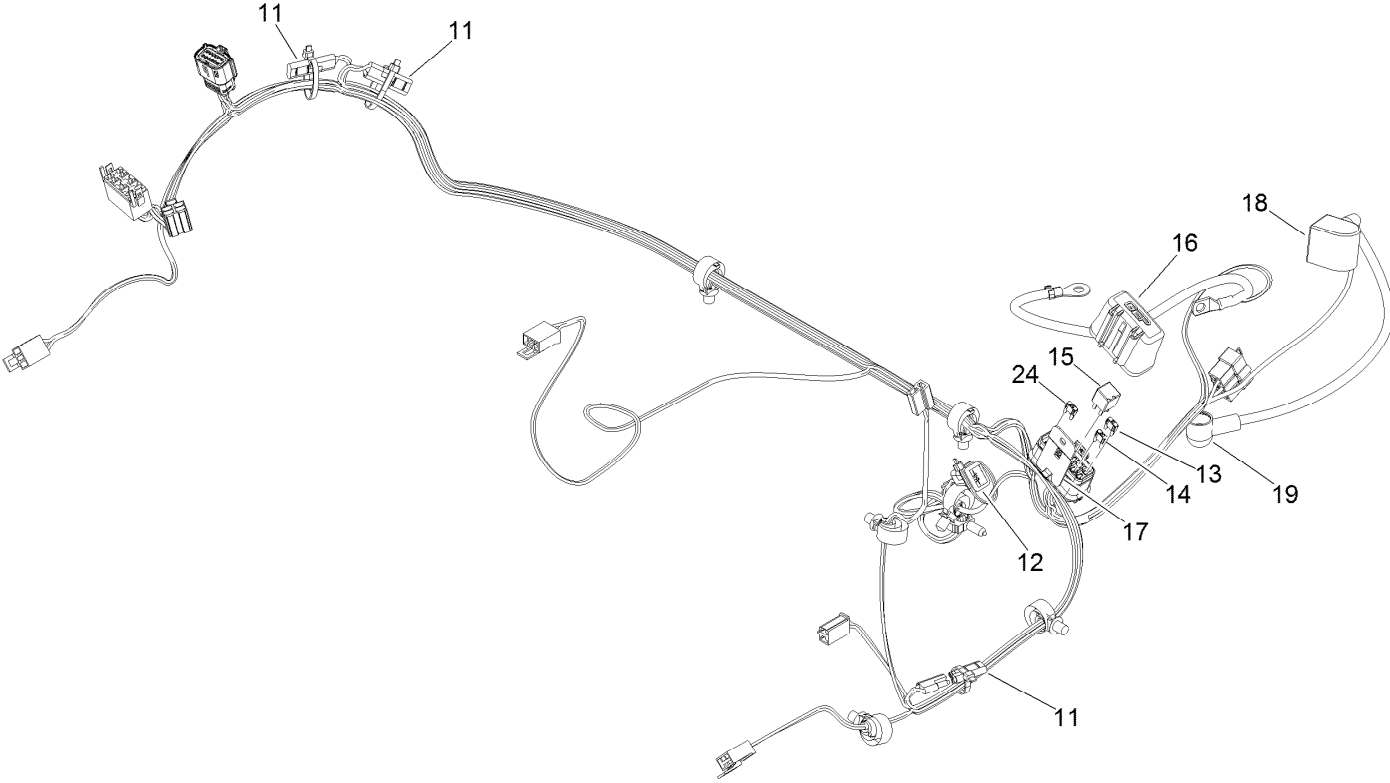
Electrical Assembly



Electrical Assembly (continued)

<i>Ref.</i>	<i>Part Number</i>	<i>Qty.</i>	<i>Description</i>	<i>Ref.</i>	<i>Part Number</i>	<i>Qty.</i>	<i>Description</i>
1	1-603511	1	Keys-Ignition (Spare Pair)	11	82-2190	2	Switch-Bail
1	63-8360	1	Key-Ignition	12	104-8162	1	Battery
2	139-6368	1	Switch-Rocker, On-None-On	13	126-7627	1	Strap-Bungee
3	99-8445	1	Screw-HWH	14	33094-00	1	Washer-Plain
4	110-6765	1	Switch	15	33114-020	1	Screw-HH
5	116-5609	1	Module ASM	19	140-1213	1	Harness-Wire, Light Kit
6	137-4100	1	Switch-Ignition	21	139-8089	1	Mount-Flush, Light
7	139-8078	1	Harness-Wire	23	104-2065	2	Screw-HWH
8	32128-33	2	Nut-HF	25	140-7955	1	Port-Power, USB
9	321-4	2	Screw-HH	26	92-8875	1	Switch-Rocker
10	3256-22	2	Washer-Flat	27	140-4993	1	Bumper-Front
				28	135-2015	2	Screw-Shoulder

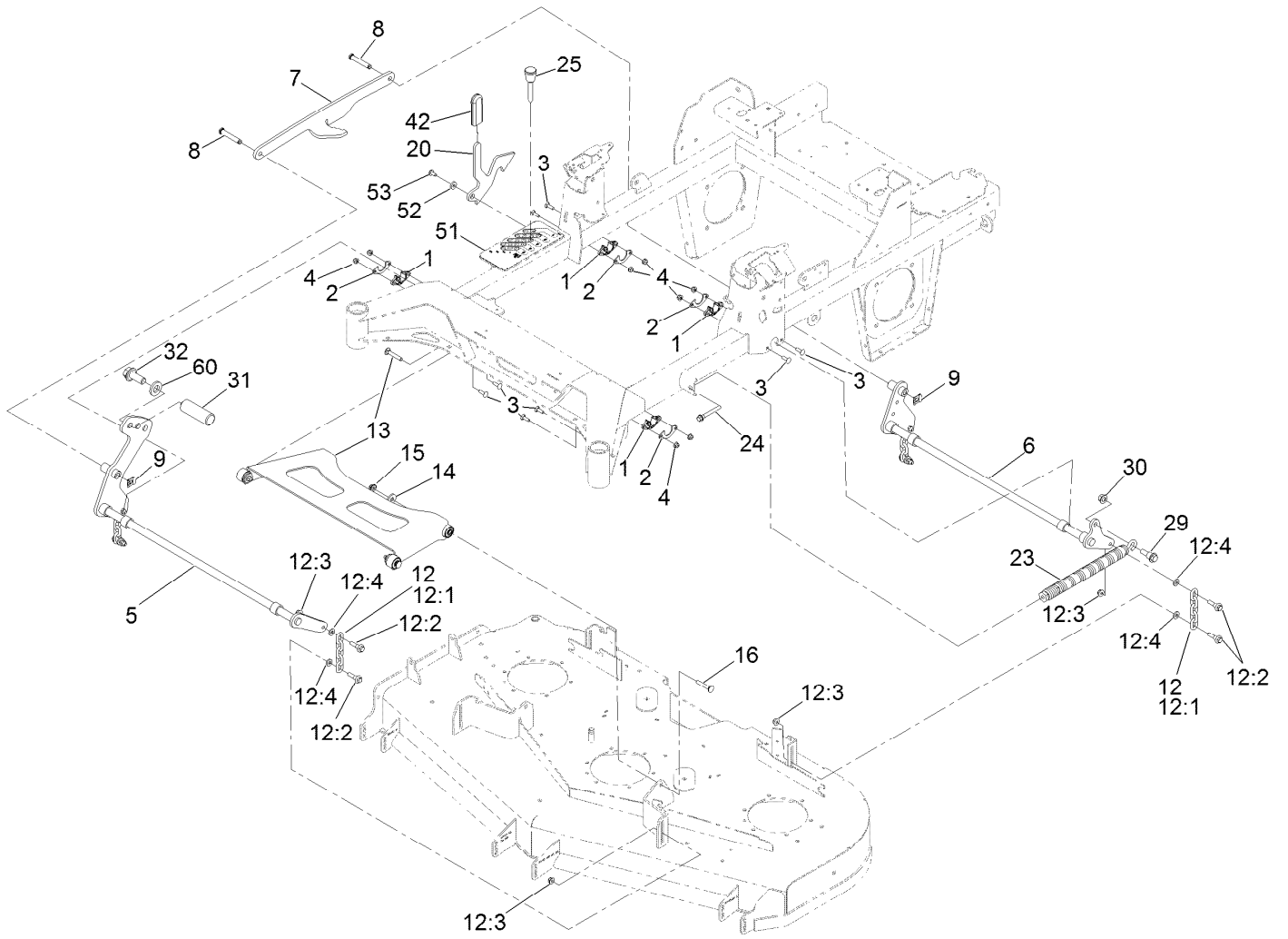
Wire Harness Assembly No. 139-8078



Wire Harness Assembly No. 139-8078 (continued)

<i>Ref.</i>	<i>Part Number</i>	<i>Qty.</i>	<i>Description</i>	<i>Ref.</i>	<i>Part Number</i>	<i>Qty.</i>	<i>Description</i>
11	116-0053	3	Cap-Plug	16	32180-176	1	Cover-Block, Fuse
12	103-3895	1	Diode	17	32180-177	1	Clip-Mounting
13	121-8867	1	Fuse-Mini Blade, 15 Amp	18	126-8876	1	Insulator-Battery
14	121-8868	1	Fuse-Mini Blade, 20 Amp	19	1-543393	1	Insulator-Solenoid
15	126-3991	1	Relay-Micro	24	121-8869	1	Fuse-Mini Blade, 25 Amp

Deck Lift Assembly



Deck Lift Assembly (continued)

<i>Ref.</i>	<i>Part Number</i>	<i>Qty.</i>	<i>Description</i>	<i>Ref.</i>	<i>Part Number</i>	<i>Qty.</i>	<i>Description</i>
1	115-5065	4	Bushing-Flange	14	1-373034	2	Washer
2	116-2887	4	Gusset-Lift, Deck	15	109-6658	2	Nut-Flange, NI
3	3230-22	8	Screw-CARR	16	3231-7	2	Screw-CARR
4	104-8300	8	Nut-HF, NI	20	140-1249	1	Plate-Transport Lock
5	139-8050-03	1	Front Deck Lift Shaft ASM	23	116-0886	1	Spring-Extension
6	140-4975-03	1	Shaft-Lift, Deck	24	92-7674	1	Bolt-Shoulder
7	126-4639-03	1	Link-HOC	25	126-5401	1	Pin-HOC
8	126-9181	2	Pin-Clevis	29	116-0780	1	Screw-Shoulder, HHF
9	138-8491	2	Clip-Pin	30	99-5107	1	Nut-Lock
12	126-8877	4	Deck Chain ASM	31	140-4959	1	Pedal-Foot Lift
12:1	1-633447	1	Chain-Lift, Deck	32	3234-42	1	Screw-HHF
12:2	130-0742	2	Bolt-Shoulder	42	132-4749	1	Grip-Lever
12:3	104-8301	2	Nut-HF, NI	51	139-6699	1	Decal-HOC
12:4	43-0940	2	Spacer	52	104-7658	1	Spacer
13	140-1179	1	Deck Strut W/ Bushings ASM	53	9266934	1	Screw
				60	2844	1	Washer

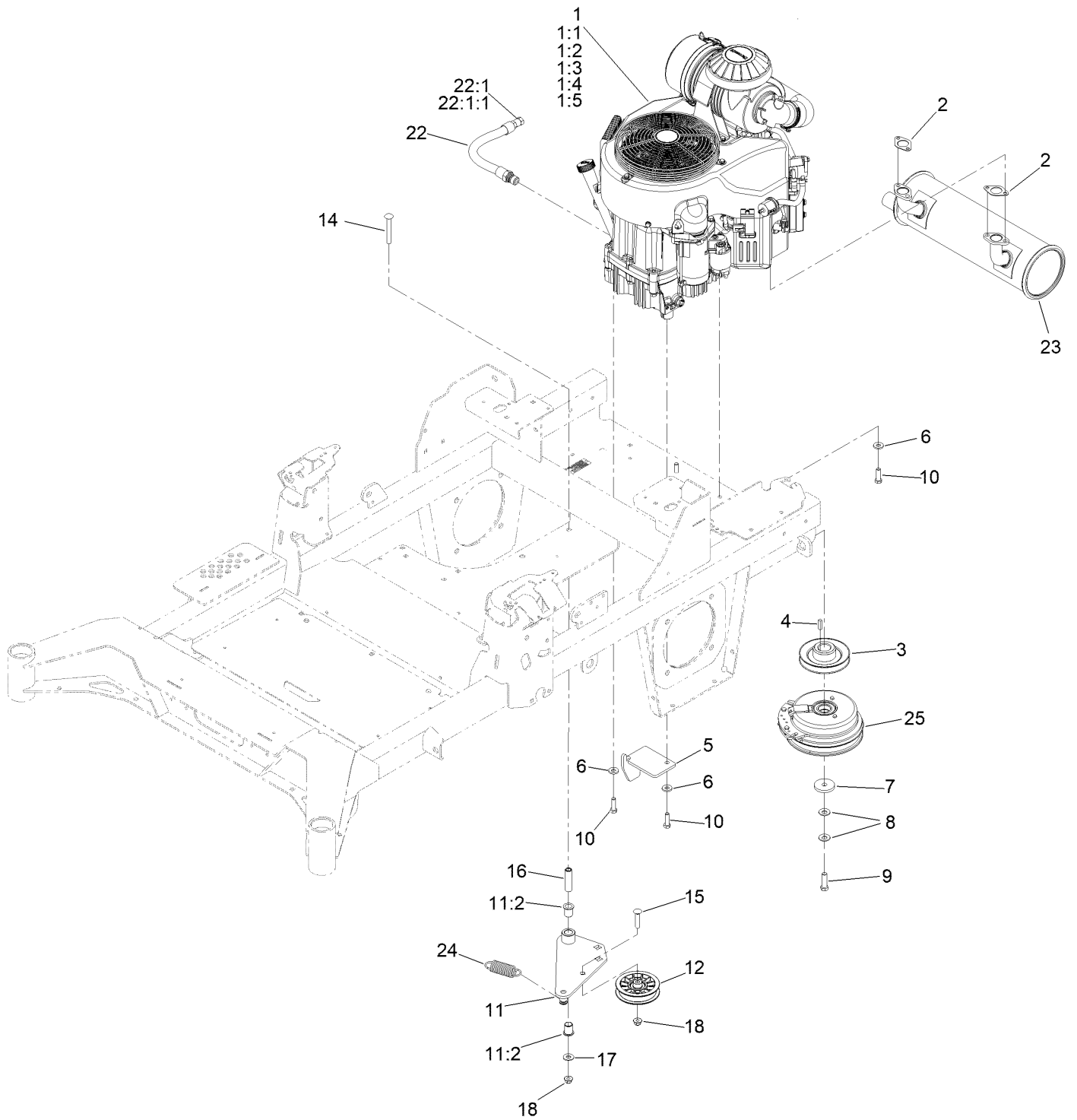
Deck Strut Assembly No. 140-1179



Deck Strut Assembly No. 140-1179 (continued)

<i>Ref.</i>	<i>Part Number</i>	<i>Qty.</i>	<i>Description</i>	<i>Ref.</i>	<i>Part Number</i>	<i>Qty.</i>	<i>Description</i>
2	126-8360	4	Bushing-Rubber, Suspension	4	3231-7	2	Screw-CARR
3	108-6544	4	Spacer	5	2844	2	Washer
				6	104-8301	2	Nut-HF, NI

Engine, Clutch and Muffler Assembly



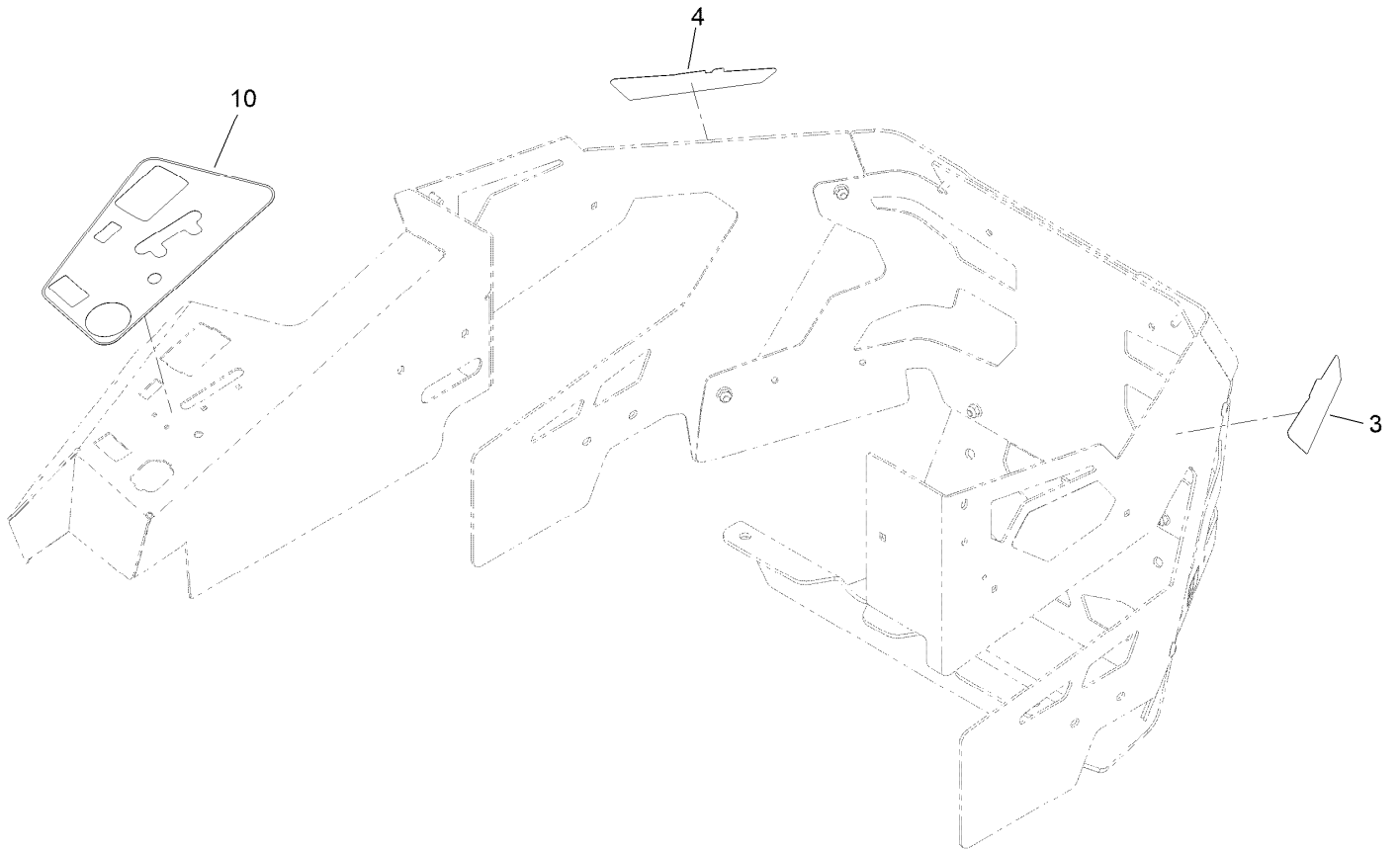
Engine, Clutch and Muffler Assembly (continued)

<i>Ref.</i>	<i>Part Number</i>	<i>Qty.</i>	<i>Description</i>	<i>Ref.</i>	<i>Part Number</i>	<i>Qty.</i>	<i>Description</i>
1		1	Engine-Kawasaki, Fx801V-S04-R ■▲	10	323-7	4	Screw-HH
1:1	KW10761	1	Filter-Oil Kaw	11	144-2671	1	Idler Arm ASM
1:2	119-5944	1	Element-Filter, Air (Outer)	11:2	138-2573	2	Bushing-Flange
1:3	119-5945	1	Element-Filter, Air (Inner)	12	116-2456	1	Pulley-Flat Idler
1:4	142-6949	1	Filter-Fuel	14	3231-42	1	Screw-CARR
1:5	92-2153	1	Plug-Spark	15	3231-29	1	Screw-CARR
2	1-653313	2	Gasket-Exhaust	16	139-6690	1	Bushing, Idler Pivot
3	139-6702	1	Sheave, W/Hub	17	3256-4	1	Washer-Flat
4	1-807259	1	Key	18	104-8301	2	Nut-HF, NI
5	140-1190	1	Anchor-Clutch	22	116-4924	1	Engine Oil Drain Hose ASM
6	98-5975	4	Washer-Belleville	22:1	353-508	1	Plug-HH ●
7	109-6919	1	Washer-Plain	22:1:1	237-42	1	O-Ring
8	1-603610	2	Washer-Spring	23	139-1079	1	Muffler
9	109-9761	1	Screw-HH	24	1-653331	1	Spring-Idler
				25	116-1604	1	Clutch

● Torque to 24-26 ft-lb
▲ Obtain parts from www.kawpower.com

■ Not serviced separately

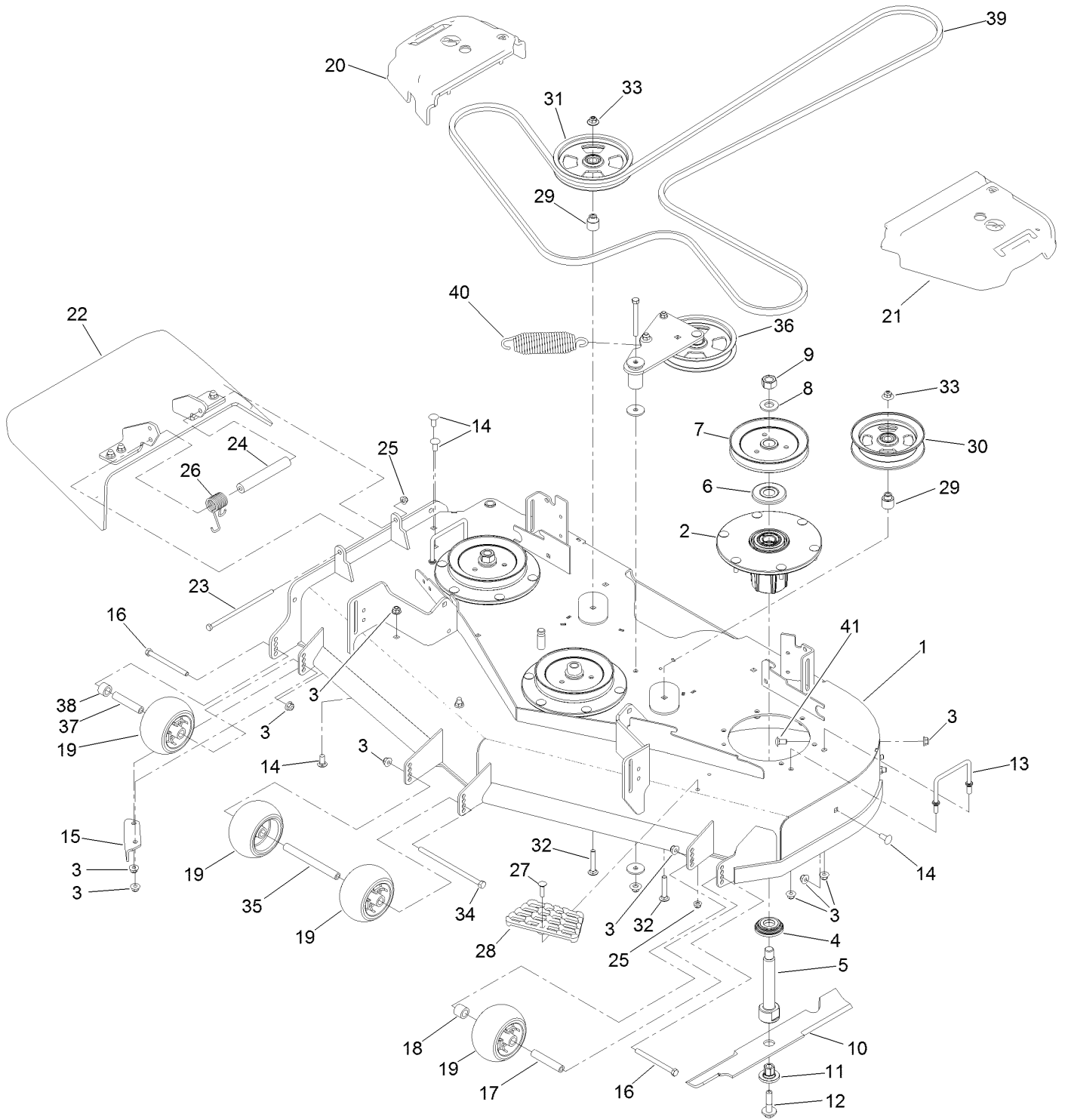
Decal Assembly



Decal Assembly (continued)

<i>Ref.</i>	<i>Part Number</i>	<i>Qty.</i>	<i>Description</i>
3	144-0440	1	Decal - HD
4	144-0441	1	Decal - HD
10	144-6569	1	Decal-Panel, Control

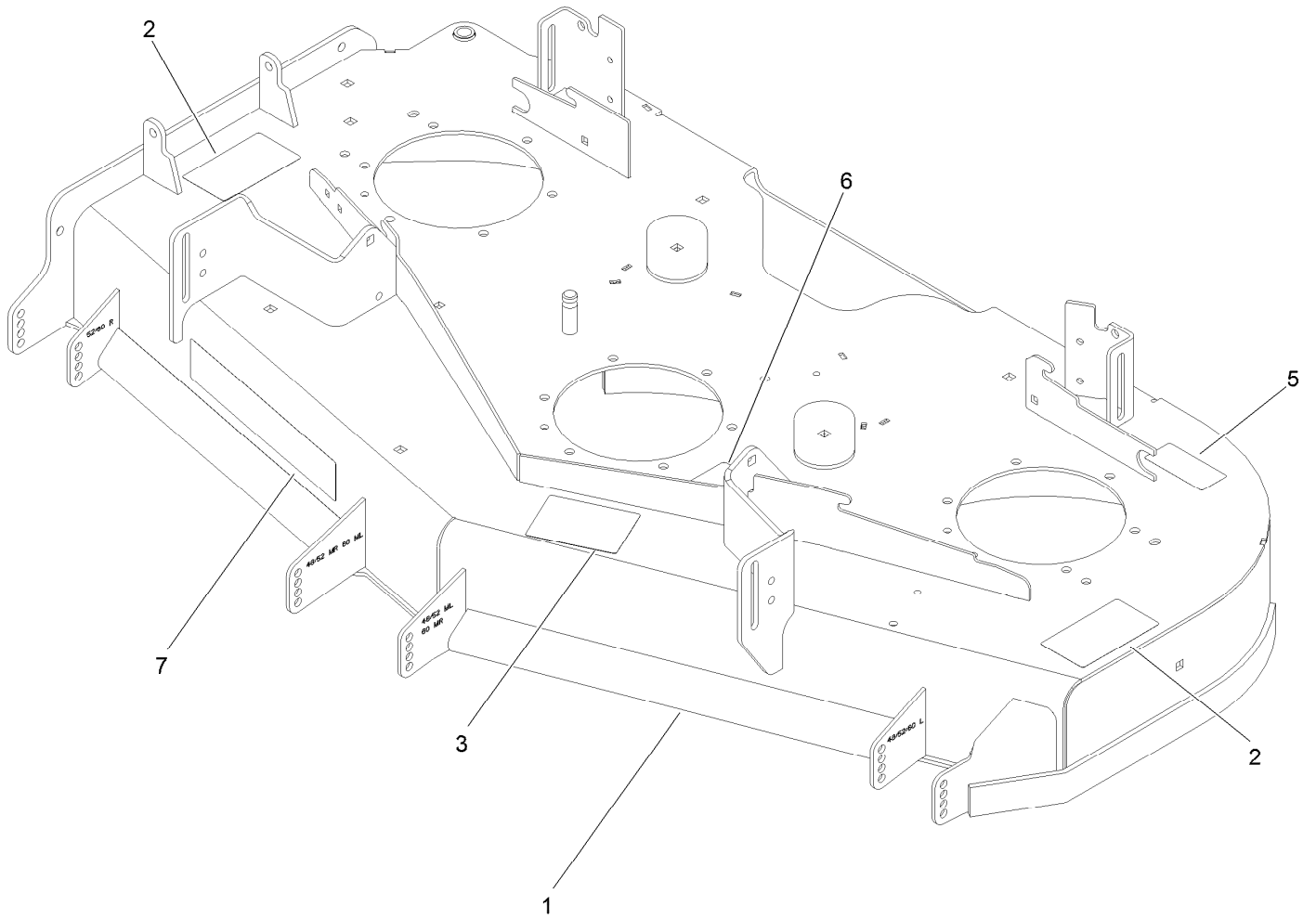
Deck Assembly



Deck Assembly (continued)

<i>Ref.</i>	<i>Part Number</i>	<i>Qty.</i>	<i>Description</i>	<i>Ref.</i>	<i>Part Number</i>	<i>Qty.</i>	<i>Description</i>
1	144-6587	1	Deck Decal ASM	22	144-2635	1	Rubber Deflector ASM
2	137-9780	3	Spindle ASM	23	322-50	1	Screw-HH
3	104-8301	34	Nut-HF, NI	24	105-4622	1	Spacer
4	137-9784	3	Guard-Bottom	25	104-8300	2	Nut-HF, NI
5	138-6045	3	Shaft-Spindle	26	108-4052	1	Spring-Torsion
6	103-1330	3	Guard-Bearing, Top	27	3230-3	1	Screw-CARR
7	138-6058	3	Sheave-Blade Drive 6.50	28	126-4781-03	1	Step-Deck
8	103-2802	3	Washer	29	139-8061	2	Bushing, Idler
9	116-7306	3	Nut-Hex	30	132-9425	1	Pulley-Idler, Flat
10	140-1242	3	Blade-Flow, High	31	132-9424	1	Pulley-Idler, Flat
11	137-9787	3	Bushing-Hex	32	3231-7	2	Screw-CARR
12	109-9220	3	Screw-Sems	33	109-6658	2	Nut-Flange, NI
13	109-6982	2	Wireform-Cover	34	108-5388	1	Screw-HH
14	3231-27	6	Screw-CARR	35	98-5967	1	Spacer-Wheel
15	107-8541-01	1	Baffle-Discharge	36	139-1087	1	Idler Arm ASM
16	323-23	2	Screw-HH	37	133-2129	1	Tube-Shafting
17	98-7912	1	Tube-Spanner	38	133-2128	1	Tube-Spacer
18	98-7913	1	Tube-Spacer	39	144-0356	1	Belt-V
19	1-603299	4	Roller-Scalp, Anti	40	116-6317	1	Spring-Extension
20	109-6935	1	Cover-Belt, RH	41	3231-21	3	Screw-CARR
21	109-6936	1	Cover-Belt, LH				

Deck Decal Assembly No. 144-6587



Deck Decal Assembly No. 144-6587 (continued)

<i>Ref.</i>	<i>Part Number</i>	<i>Qty.</i>	<i>Description</i>	<i>Ref.</i>	<i>Part Number</i>	<i>Qty.</i>	<i>Description</i>
1		1	Deck ASM W/Decals 52 ●	5	116-8283	1	Decal-Torque, Bolt
2	117-3848	2	Decal-Danger	6	109-6035	1	Decal-Routing, Belt
3	127-0326	1	Decal-Scalp, Anti	7	107-1618	1	Decal

● Not serviced separately

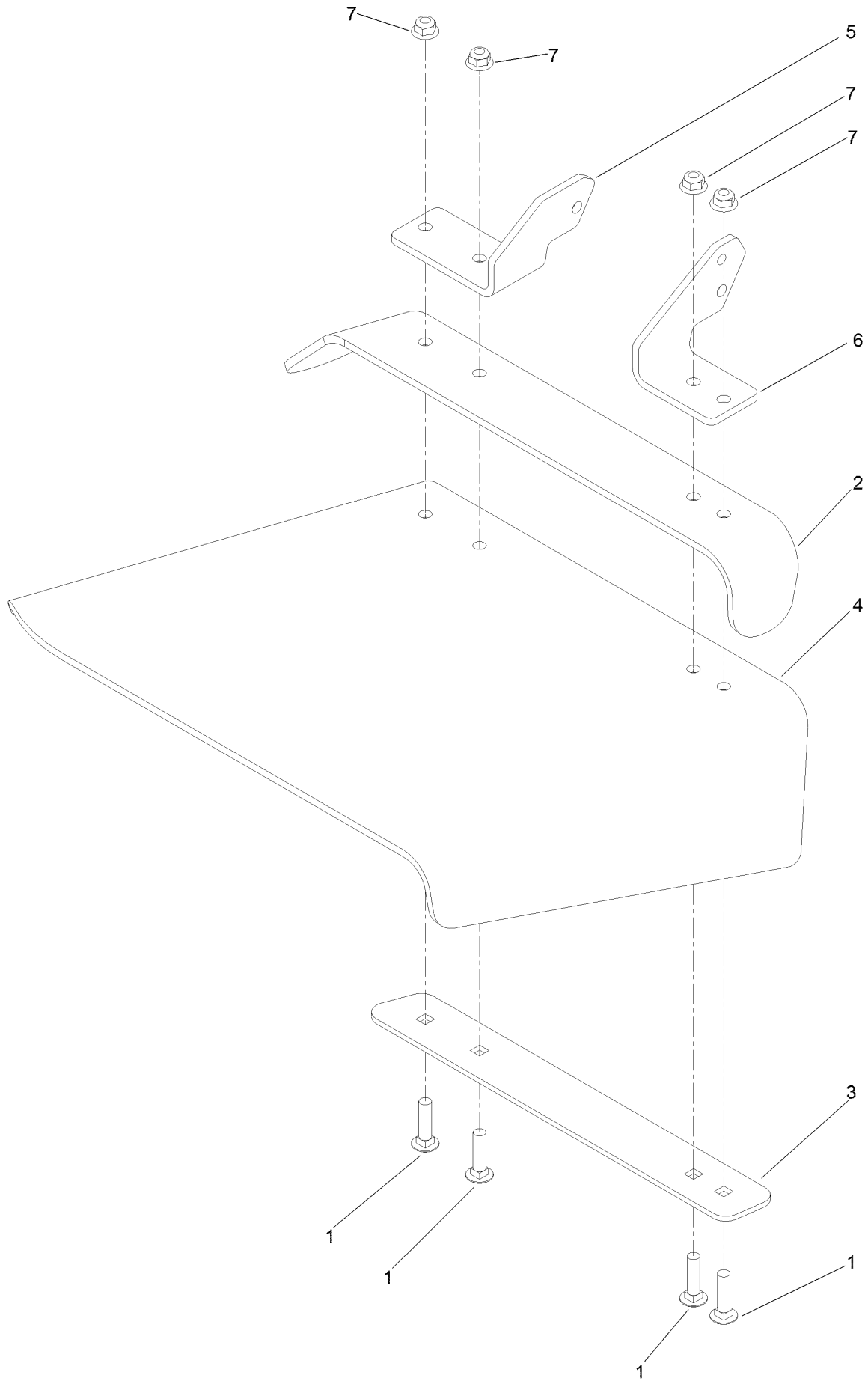
Spindle Assembly No. 137-9780



Spindle Assembly No. 137-9780 (continued)

<i>Ref.</i>	<i>Part Number</i>	<i>Qty.</i>	<i>Description</i>
2	116-0720	2	Bearing-Ball
3	138-6042	1	Spacer-Bearing

Deflector Assembly No. 144-2635



Deflector Assembly No. 144-2635 (continued)

<i>Ref.</i>	<i>Part Number</i>	<i>Qty.</i>	<i>Description</i>	<i>Ref.</i>	<i>Part Number</i>	<i>Qty.</i>	<i>Description</i>
1	3231-4	4	Screw-CARR	5	108-4059-01	1	Plate-Hinge, Rear
2	106-3246-01	1	Deflector	6	106-3253-01	1	Plate-Hinge, Front
3	106-3248-03	1	Strap-Discharge	7	104-8301	4	Nut-HF, NI
4	139-8114	1	Deflector-Deck, Rubber				

Idler Arm Assembly No. 139-1087



Idler Arm Assembly No. 139-1087 (continued)

<i>Ref.</i>	<i>Part Number</i>	<i>Qty.</i>	<i>Description</i>	<i>Ref.</i>	<i>Part Number</i>	<i>Qty.</i>	<i>Description</i>
1	139-1086	1	Idler Arm ASM	7	109-6658	3	Nut-Flange, NI
2	138-2573	2	Bushing-Flange	8	323-15	1	Screw-HH
3	139-8060	1	Bushing, Idler	9	3231-5	1	Screw-CARR
4	132-9424	1	Pulley-Idler, Flat	10	132-4729	1	Anchor-Spring, Short
5	139-6690	1	Bushing, Idler Pivot	11	136-9028	1	Bolt-Shoulder, HWH
6	1-213069	3	Washer	12	104-8301	1	Nut-HF, NI

Attachments and Accessories

For 74050TA 52in Z Master 4000 Series Riding Mower

Product Name	Model/Part
Hypr-Oil 500 (quart)	114-4713
Hypr-Oil 500 (gallon).....	114-4714
Hypr-Oil 500-5 (5 gallon).....	114-4715
Striper Kit.....	126-7882
Jack Kit.....	127-6666
Recycler Kit	139-6653
Blade-18.00 High Flow	140-1242
Blade-18.00 Medium Flow	140-4856
Blade-18.00 Low Flow	140-4857
Blade-18.00 Atomic	140-4858
Blade-18.00 Recycler	140-4859
6 Pack-Blade, 18.00 High Flow.....	140-4882
6 Pack-Blade, 18.00 Med Flow	140-4883
6 Pack-Blade, 18.00 Low Flow	140-4884
6 Pack-Blade, 18.00 Atomic.....	140-4885
6 Pack-Blade, 18.00 Recycler.....	140-4886
Electric Deck Lift Kit-4000.....	144-0390
Trimmer Mount	144-2665
Jack Mount Kit.....	144-2676
52" Chute Gate Kit [4000]	144-6571
Asm-Semi Pneumatic 15x6.50-6	145-1919
Handle Extension Kit	145-3615
Spark Arrestor Screen	75-6880
Z 4000 Bagger Kit.....	78463
Z 4000 52in Completion Kit.....	78465

Notes:

Notes:

Notes:



Count on it.