



Count on it.

Parts Catalog

**52in Z Master® 4000 Series
Riding Mower**

Model No. 74050TA—Serial No. 411435592 and Up



Ordering Replacement Parts

To order replacement parts, please supply the part number, the quantity, and the description of each part desired.

Understanding Reference Numbers

Each identified part in an illustration has a reference number. The reference number for a part also appears in the parts list, along with other information about the part.

This catalog uses two special reference number formats, one to indicate parts in a service assembly and another to indicate the quantity of a given part in an illustration.

Service Assembly Reference Numbers

Parts in service assemblies have reference numbers in the form a:b. The a represents the reference number of the entire service assembly and the b represents a sequential number unique to each part within the service assembly.

For example, a wheel assembly might be identified by reference number 6, the tire by 6:1, the valve by 6:2, and the wheel by 6:3. When you order the assembly identified by reference number 6, you receive all parts identified by reference numbers 6:1, 6:2, and 6:3. However, you may also order any part individually. Reference numbers of this type appear in illustration and in parts lists.

Reference Numbers Indicating Quantity

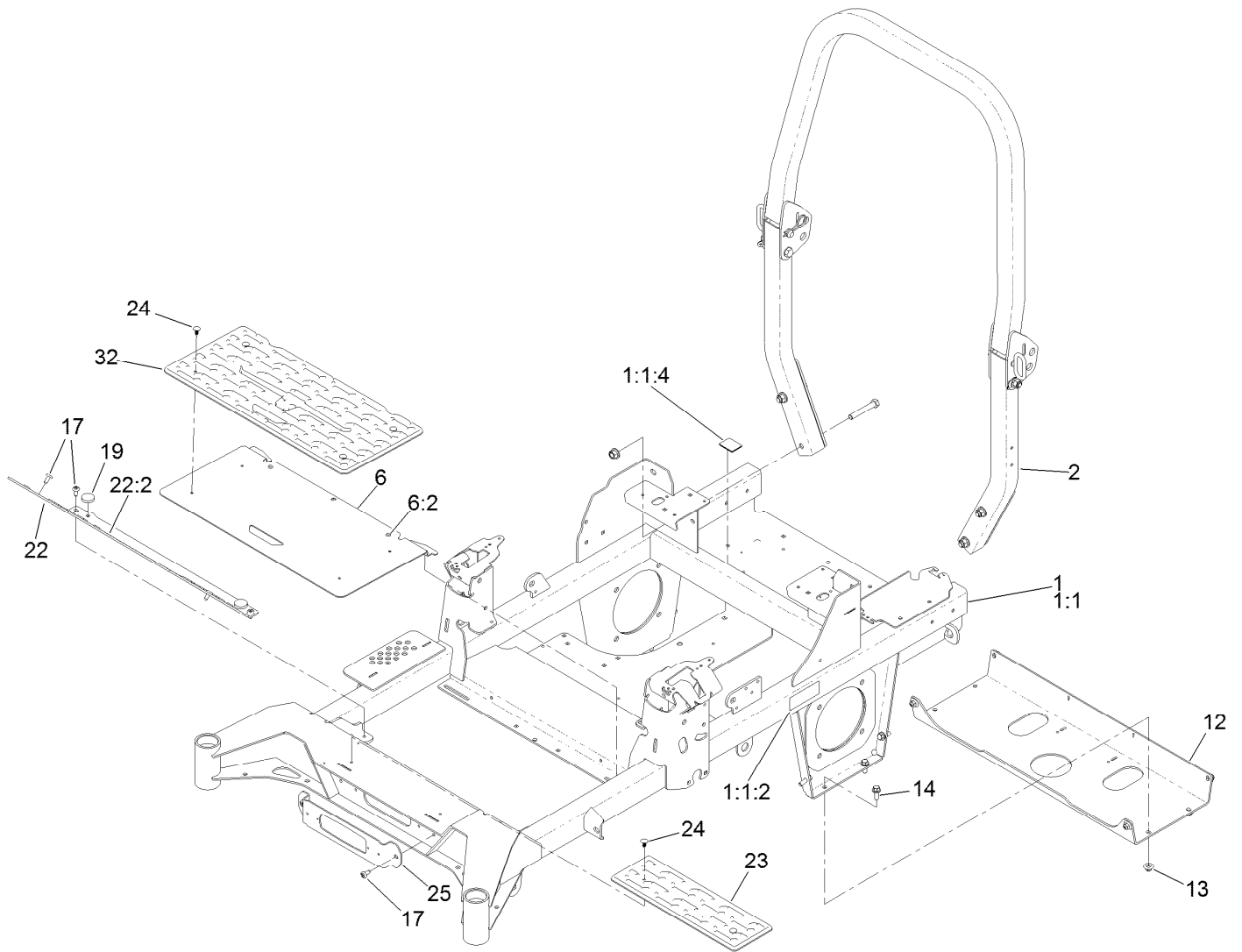
In an illustration, if a reference number indicates more than one part, the reference number has the form nX y. The n represents the quantity of the part, the X is the multiplication symbol, and the y represents the reference number.

For example, in an illustration, the reference number 2X 37 means that two of the parts identified by reference number 37 are indicated.

Contents

| | |
|---|----|
| Frame Assembly | 4 |
| Roll-Over Protection System Assembly No. 139-8062 | 6 |
| Hydraulic Drive Assembly | 8 |
| LH Transaxle Assembly No. 145-3696 | 10 |
| RH Transaxle Assembly No. 145-3695 | 12 |
| Throttle, Choke Cables and Guard Assembly | 14 |
| Fuel System Assembly | 16 |
| Fuel Tank Assembly No. 139-6722 | 18 |
| Seat Mount Assembly | 20 |
| Seat Assembly No. 144-2632 | 22 |
| Motion Control Assembly | 24 |
| Left and Right Control Arm Assembly | 26 |
| Caster Wheel Assembly | 28 |
| Caster Wheel and Fork Assembly | 30 |
| Rear Wheel Assembly | 32 |
| Electrical Assembly | 34 |
| Wire Harness Assembly No. 139-8078 | 36 |
| Deck Lift Assembly | 38 |
| Deck Strut Assembly No. 140-1179 | 40 |
| Engine, Clutch and Muffler Assembly | 42 |
| Decal Assembly | 44 |
| Deck Assembly | 46 |
| Deck Decal Assembly No. 144-6587 | 48 |
| Spindle Assembly No. 137-9780 | 50 |
| Deflector Assembly No. 144-2635 | 52 |
| Idler Arm Assembly No. 139-1087 | 54 |
| Attachments and Accessories | 56 |

Frame Assembly



Frame Assembly (continued)

| <i>Ref.</i> | <i>Part Number</i> | <i>Qty.</i> | <i>Description</i> | <i>Ref.</i> | <i>Part Number</i> | <i>Qty.</i> | <i>Description</i> |
|-------------|--------------------|-------------|------------------------|-------------|--------------------|-------------|------------------------|
| 1 | 144-6589 | 1 | Frame ASM | 14 | 3234-42 | 8 | Screw-HHF |
| 1:1 | | 1 | Frame-48/52 ● | 17 | 138-9753 | 6 | Screw |
| 1:1:2 | 126-4363 | 2 | Decal-Warning | 19 | 109-9233 | 2 | Bumper-Push-In, Rubber |
| 1:1:4 | 144-2687 | 1 | Decal, Belt Routing | 22 | 140-4995 | 1 | Toeboard |
| 2 | 139-8062 | 1 | ASM-ROPS | 22:2 | 126-8383 | 1 | Decal-Danger |
| 6 | 138-6098 | 1 | Floor Pan ASM | 23 | 140-4992 | 1 | Step |
| 6:2 | 109-9233 | 2 | Bumper-Push-In, Rubber | 24 | 117-2382 | 6 | Plug-Plastic |
| 12 | 139-6717-01 | 1 | Plate-Hydro | 25 | 140-4994-01 | 1 | Bracket-Light |
| 13 | 109-6658 | 8 | Nut-Flange, NI | 32 | 140-7950 | 1 | Floormat-Fixed Seat |

● Not serviced separately

Roll-Over Protection System Assembly No. 139-8062

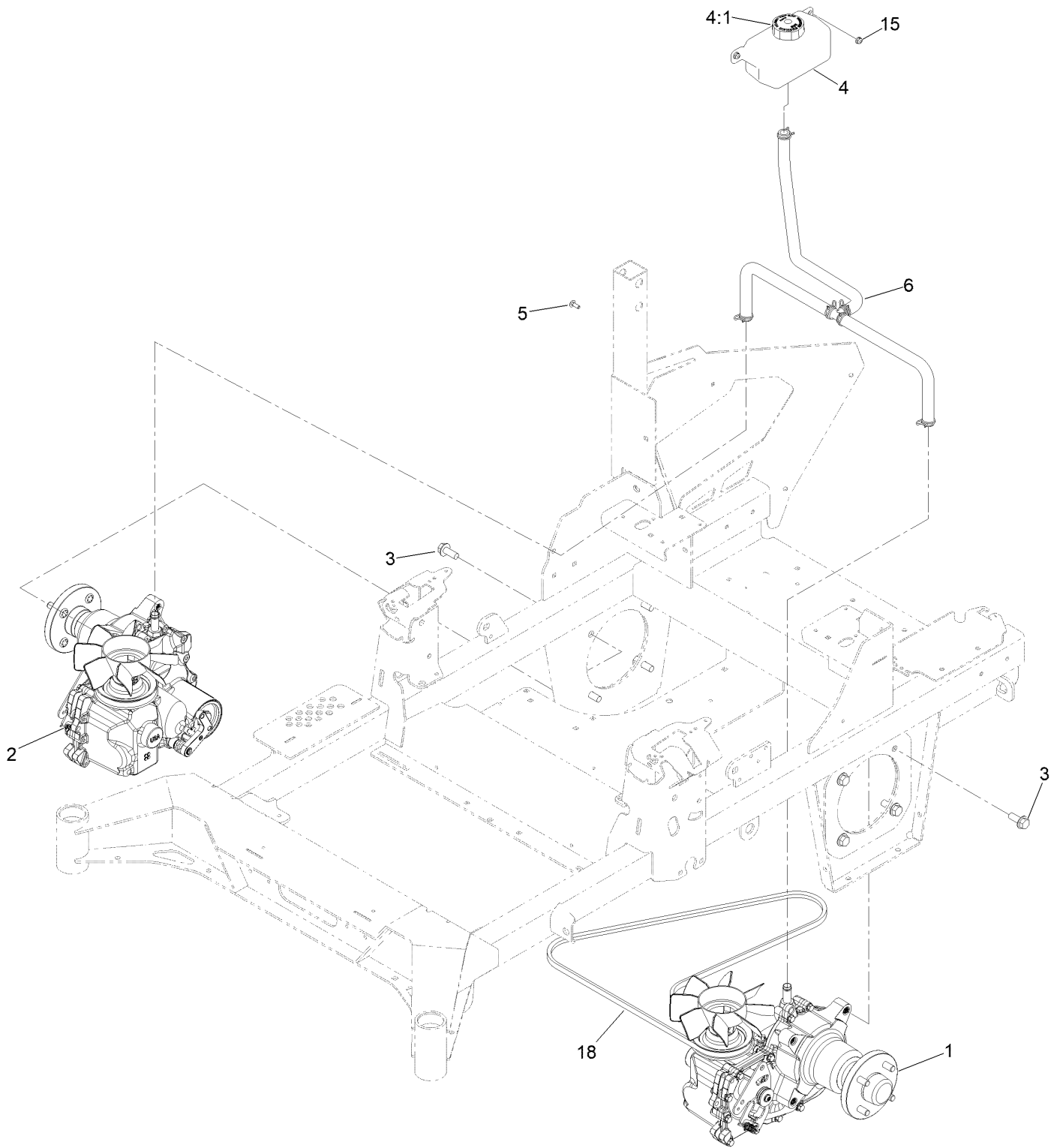


Roll-Over Protection System Assembly No. 139-8062 (continued)

| <i>Ref.</i> | <i>Part Number</i> | <i>Qty.</i> | <i>Description</i> | <i>Ref.</i> | <i>Part Number</i> | <i>Qty.</i> | <i>Description</i> |
|-------------|--------------------|-------------|---------------------|-------------|--------------------|-------------|--------------------|
| 1 | | 1 | Upper ROPS ASM ● | 5 | 103-4553 | 2 | ROPS Fold Pin ASM |
| 1:2 | 107-3069 | 1 | Decal-Warning | 6 | 99-5107 | 6 | Nut-Lock |
| 2 | | 1 | RH Lower ROPS ASM ● | 7 | 109-5337 | 2 | Bumper-ROPS |
| 3 | | 1 | LH Lower ROPS ASM ● | 8 | 109-9505 | 4 | Washer-Spring |
| 4 | 126-9209 | 2 | Bolt-Shoulder | 9 | 325-13 | 4 | Screw-HH |

● Not serviced separately

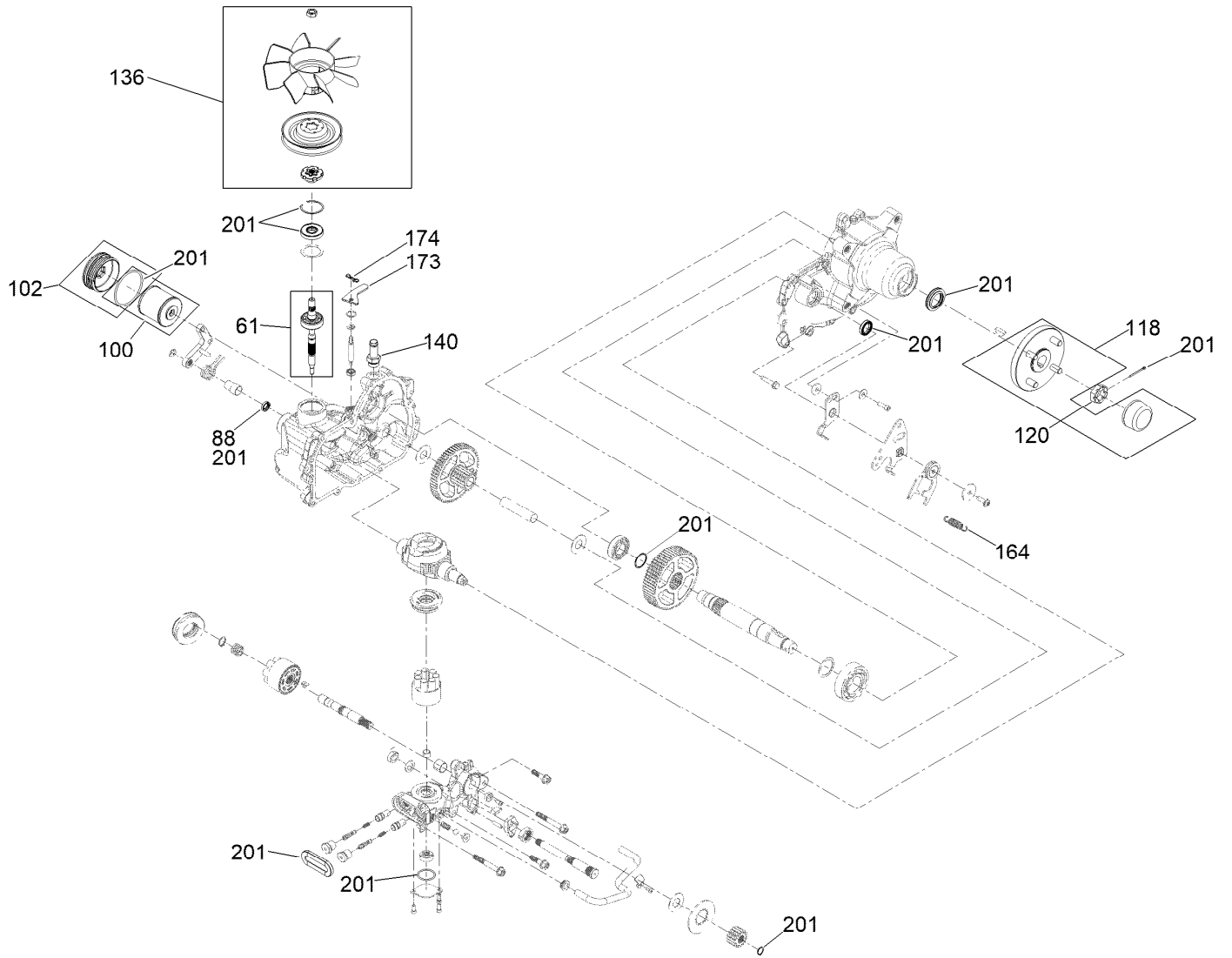
Hydraulic Drive Assembly



Hydraulic Drive Assembly (continued)

| <i>Ref.</i> | <i>Part Number</i> | <i>Qty.</i> | <i>Description</i> | <i>Ref.</i> | <i>Part Number</i> | <i>Qty.</i> | <i>Description</i> |
|-------------|--------------------|-------------|-------------------------|-------------|--------------------|-------------|---------------------|
| 1 | 145-3696 | 1 | LH Transaxle ASM W/Arm | 5 | 3229-28 | 2 | Screw-CARR |
| 2 | 145-3695 | 1 | RH Transaxle ASM W/Arm | 6 | 140-1225 | 1 | ASM-Hose, Hydraulic |
| 3 | 3234-38 | 8 | Screw-HHF | 15 | 104-7201 | 2 | Nut-HF, NI |
| 4 | 119-9908 | 1 | Hydraulic Reservoir ASM | 18 | 140-7994 | 1 | Belt-V |
| 4:1 | 109-3320 | 1 | Cap-Reservoir, HYD | | | | |

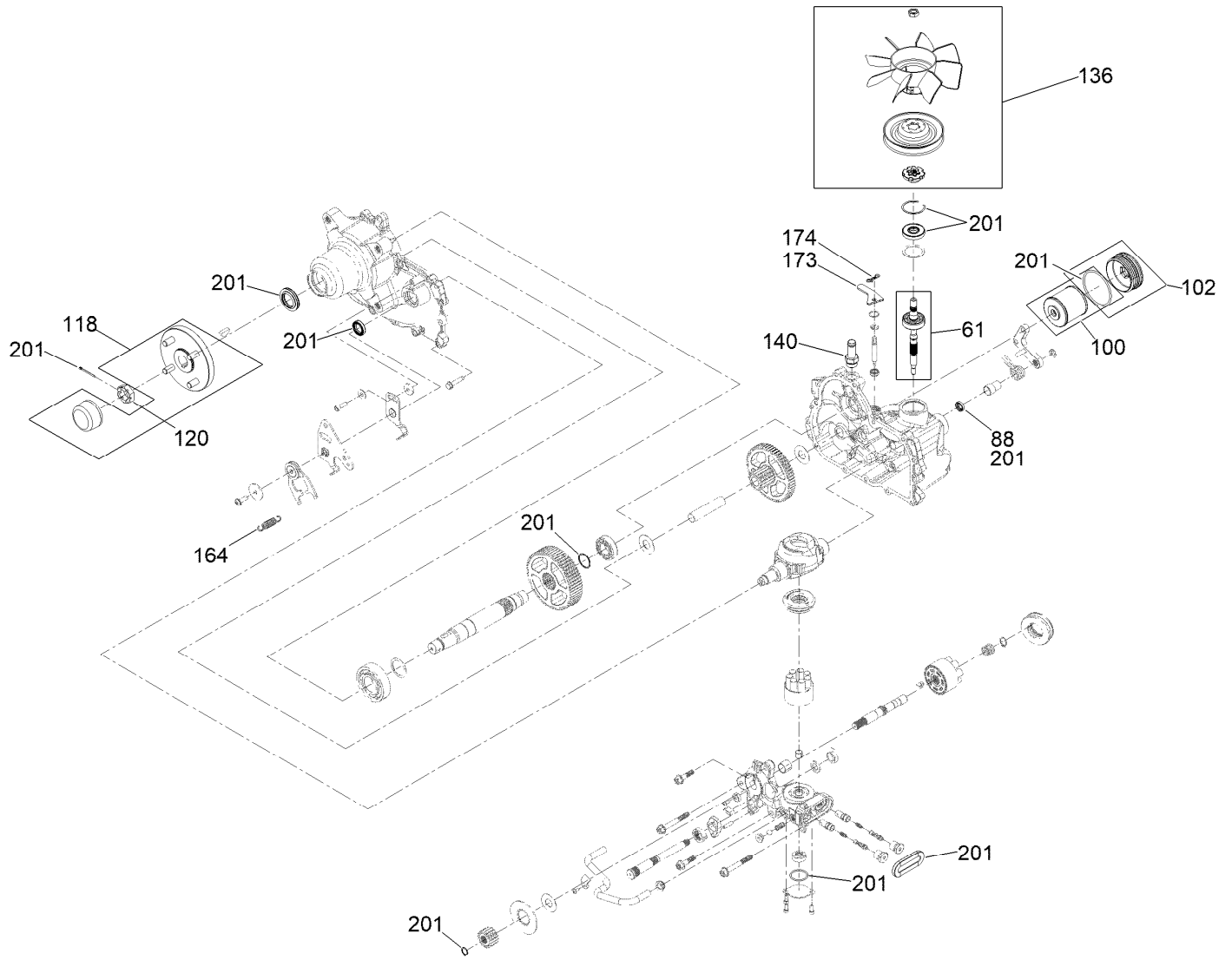
LH Transaxle Assembly No. 145-3696



LH Transaxle Assembly No. 145-3696 (continued)

| <i>Ref.</i> | <i>Part Number</i> | <i>Qty.</i> | <i>Description</i> | <i>Ref.</i> | <i>Part Number</i> | <i>Qty.</i> | <i>Description</i> |
|-------------|--------------------|-------------|--------------------|-------------|--------------------|-------------|-----------------------------|
| 61 | 147-1671 | 1 | Kit, Input Shaft | 136 | 144-6597 | 1 | Kit, Fan And Pulley |
| 88 | 145-3637 | 1 | Seal, Brake | 140 | 144-6601 | 1 | Fitting-5/8 Beaded, 7/8 SAE |
| 100 | 144-6598 | 1 | Kit, Filter | 164 | 125-4684 | 1 | Spring-Extension |
| 102 | 144-6599 | 1 | Kit, Filler Cap | 173 | 139-8091 | 1 | Plate-Lever, Bypass |
| 118 | 144-6594 | 1 | Hub-4 Bolt | 174 | 119-1415 | 1 | Pin-Cotter, Locking |
| 120 | 144-6595 | 1 | Nut, Slotted | 201 | 144-6600 | 1 | Kit, Seal |

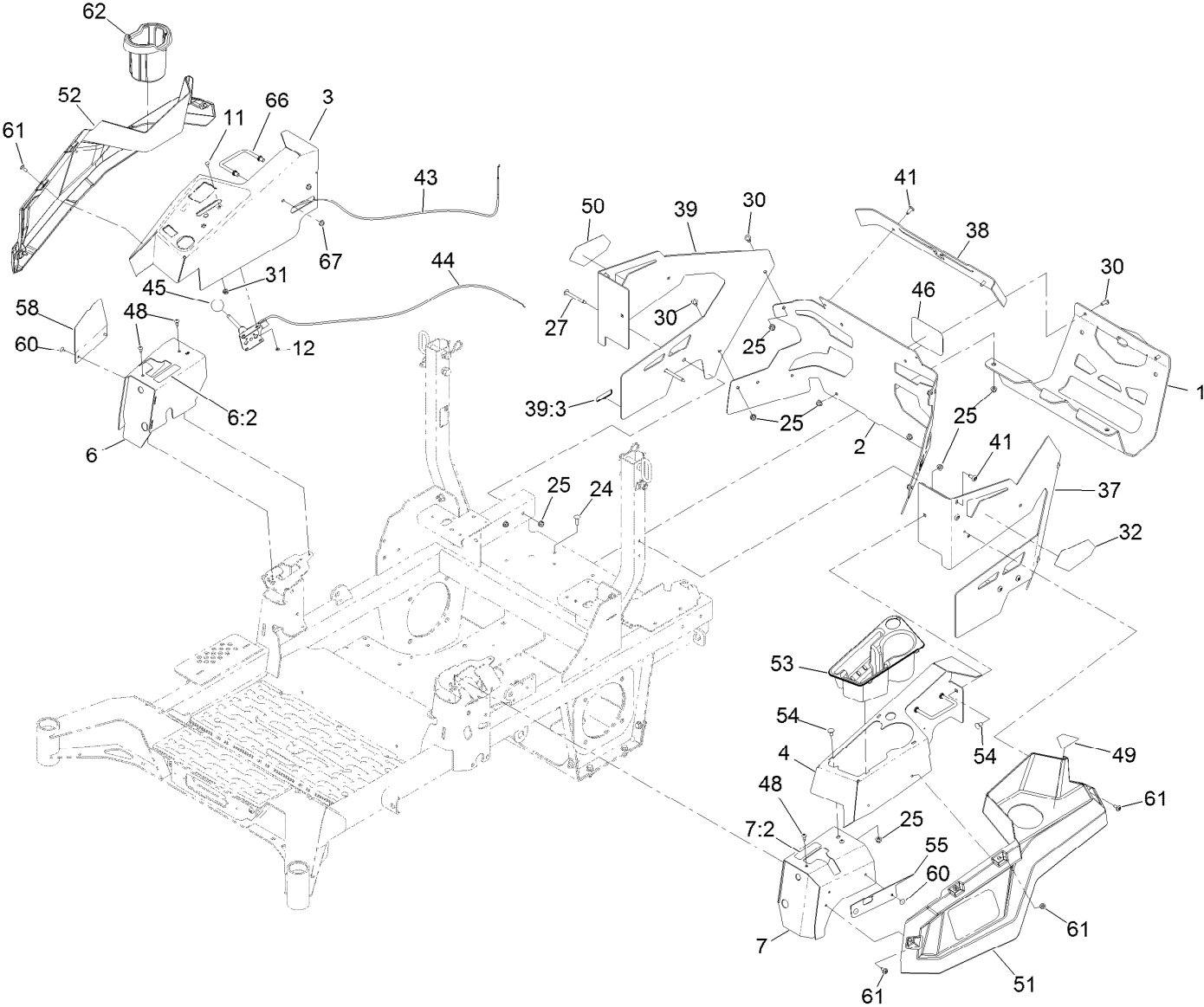
RH Transaxle Assembly No. 145-3695



RH Transaxle Assembly No. 145-3695 (continued)

| <i>Ref.</i> | <i>Part Number</i> | <i>Qty.</i> | <i>Description</i> | <i>Ref.</i> | <i>Part Number</i> | <i>Qty.</i> | <i>Description</i> |
|-------------|--------------------|-------------|--------------------|-------------|--------------------|-------------|-----------------------------|
| 61 | 147-1671 | 1 | Kit, Input Shaft | 136 | 144-6597 | 1 | Kit, Fan And Pulley |
| 88 | 145-3637 | 1 | Seal, Brake | 140 | 144-6601 | 1 | Fitting-5/8 Beaded, 7/8 SAE |
| 100 | 144-6598 | 1 | Kit, Filter | 164 | 125-4684 | 1 | Spring-Extension |
| 102 | 144-6599 | 1 | Kit, Filler Cap | 173 | 139-8091 | 1 | Plate-Lever, Bypass |
| 118 | 144-6594 | 1 | Hub-4 Bolt | 174 | 119-1415 | 1 | Pin-Cotter, Locking |
| 120 | 144-6595 | 1 | Nut, Slotted | 201 | 144-6600 | 1 | Kit, Seal |

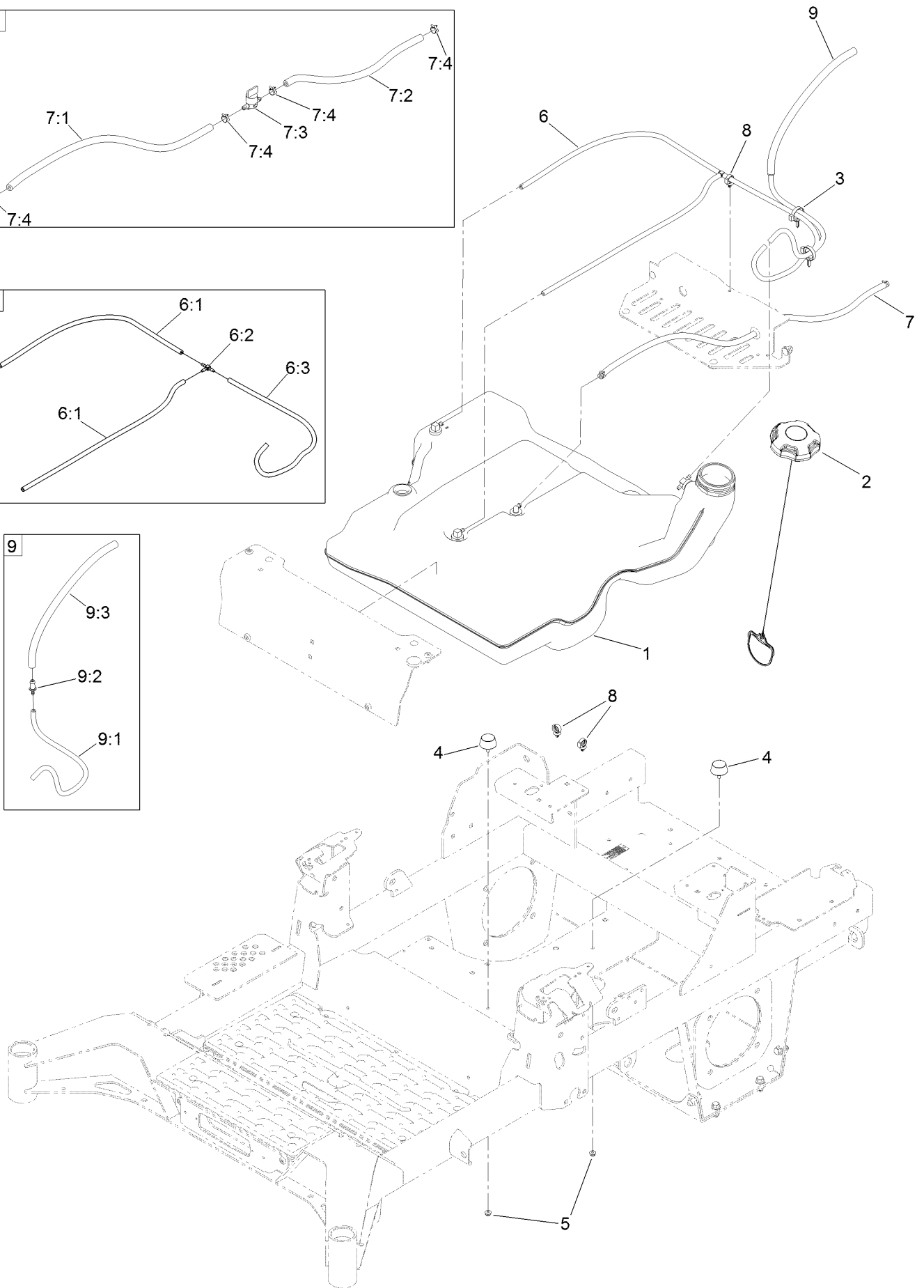
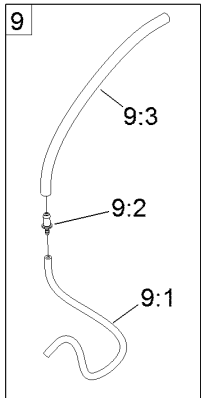
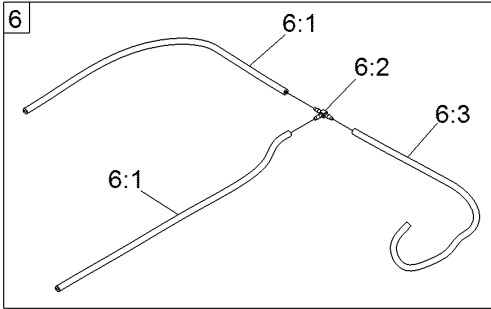
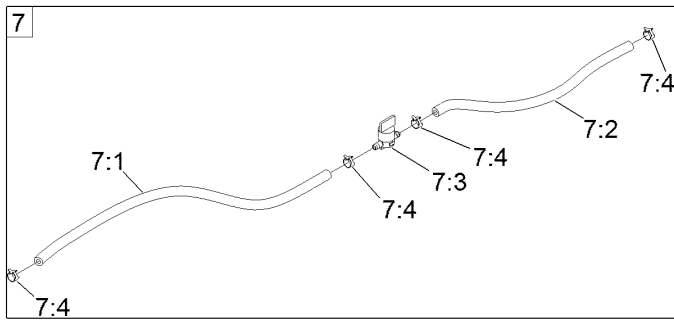
Throttle, Choke Cables and Guard Assembly



Throttle, Choke Cables and Guard Assembly (continued)

| <i>Ref.</i> | <i>Part Number</i> | <i>Qty.</i> | <i>Description</i> | <i>Ref.</i> | <i>Part Number</i> | <i>Qty.</i> | <i>Description</i> |
|-------------|--------------------|-------------|-------------------------|-------------|--------------------|-------------|-------------------------|
| 1 | 139-6719-03 | 1 | Guard-Muffler [black] | 41 | 138-9753 | 6 | Screw |
| 2 | 144-2637 | 1 | Rear Guard ASM | 43 | 139-6735 | 1 | Cable-Control, Choke |
| 3 | 144-6551-01 | 1 | Console-RH | 44 | 139-6734 | 1 | Cable-Control, Throttle |
| 4 | 144-2638-01 | 1 | Console-LH | 45 | 1-603175 | 1 | Knob-Ball |
| 6 | 140-4867 | 1 | RH Cover ASM | 46 | 105-8278 | 1 | Decal |
| 6:2 | 99-8936 | 1 | Decal-Control, Motion | 48 | 87-6620 | 4 | Screw-Tph Thd Form |
| 7 | 140-4866 | 1 | LH Cover ASM | 49 | 126-9939 | 1 | Decal-Fill, Fuel |
| 7:2 | 99-8936 | 1 | Decal-Control, Motion | 50 | 140-7987 | 1 | Decal-4000 Series, RH |
| 11 | 1-807513 | 2 | Bolt-CARR | 51 | 140-7979 | 1 | Side Pod, LH |
| 12 | 3296-2 | 2 | Nut-Lock, NI | 52 | 140-7980 | 1 | Side Pod, RH |
| 24 | 3230-22 | 2 | Screw-CARR | 53 | 140-7968 | 1 | Cup Holder |
| 25 | 104-8300 | 16 | Nut-HF, NI | 54 | 3230-18 | 4 | Screw-CARR |
| 27 | 126-6267 | 4 | Screw-TTH | 55 | 140-7996-03 | 1 | Plate-Cover, LH Front |
| 30 | 126-6268 | 6 | Screw-TTH | 58 | 140-7998-03 | 1 | Plate-Cover, RH Front |
| 31 | 3220-3 | 1 | Nut-HJ | 60 | 132-5064 | 4 | Rivet-Pop |
| 32 | 139-1149 | 1 | Decal - 4000 Series, LH | 61 | 120-7950 | 8 | Screw-Torx |
| 37 | 140-7952-01 | 1 | Guard-Rear, LH | 62 | 140-8019 | 1 | Cupholder-RH |
| 38 | 140-1221-01 | 1 | Guard-Rear, Top | 66 | 144-2642 | 2 | Rod-Support, Pod |
| 39 | 140-4865 | 1 | RH Rear Guard ASM | 67 | 3296-59 | 4 | Nut-Lock, NI |
| 39:3 | 133-8062 | 1 | Decal-Spark Arrestor | | | | |

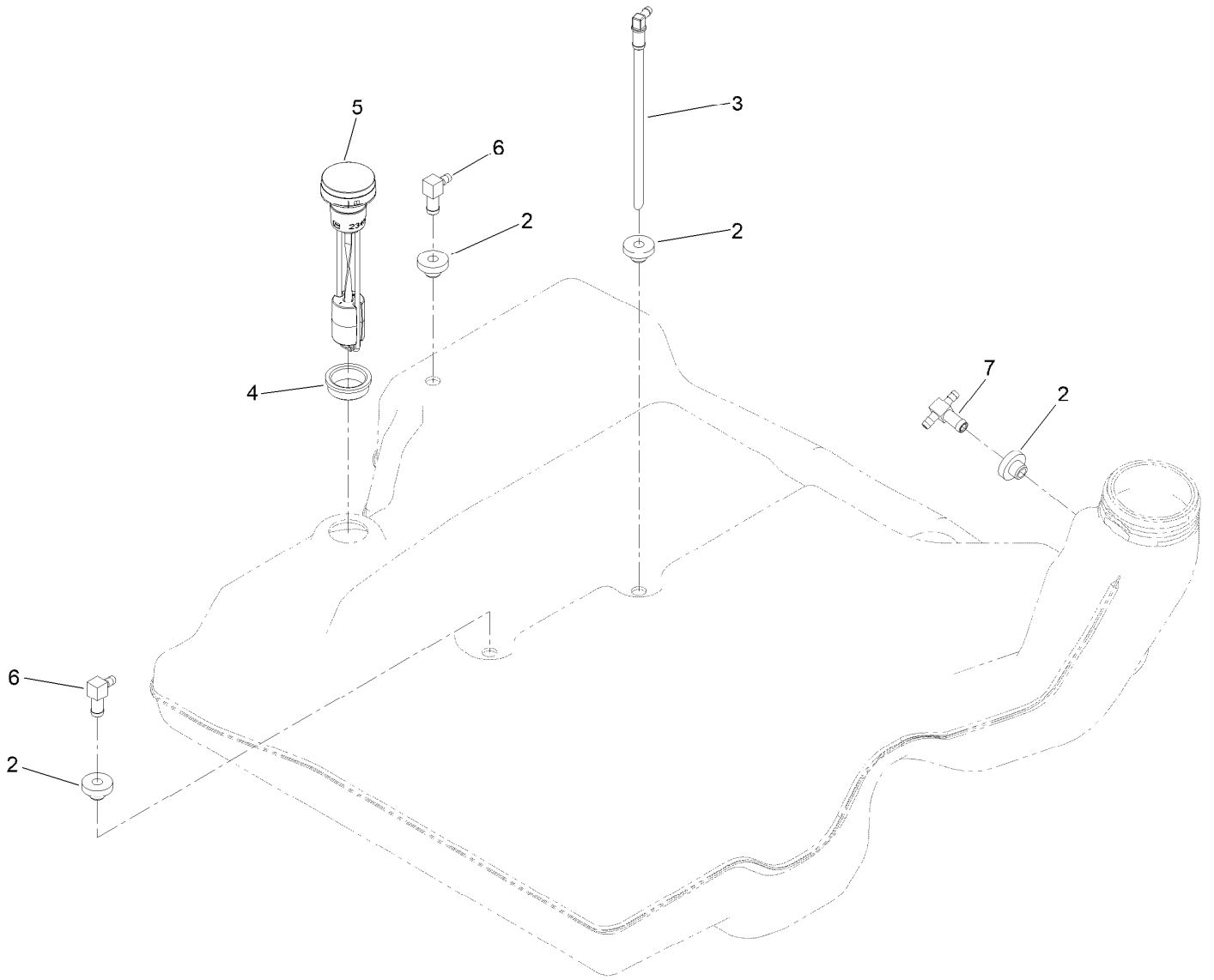
Fuel System Assembly



Fuel System Assembly (continued)

| <i>Ref.</i> | <i>Part Number</i> | <i>Qty.</i> | <i>Description</i> | <i>Ref.</i> | <i>Part Number</i> | <i>Qty.</i> | <i>Description</i> |
|-------------|--------------------|-------------|----------------------|-------------|--------------------|-------------|---------------------------|
| 1 | 139-6722 | 1 | Fuel Tank ASM | 7:1 | 109-0298 | 1 | Line-Fuel |
| 2 | 135-4801 | 1 | Cap-Fuel, Ratcheting | 7:2 | 114-3766 | 1 | Hose-Fuel |
| 3 | 104-2490 | 2 | Clamp-Hose | 7:3 | 1-603770 | 1 | Valve-Fuel |
| 4 | 131-8834 | 2 | Bumper | 7:4 | 2412-98 | 4 | Clamp-Hose |
| 5 | 104-7201 | 2 | Nut-HF, NI | 8 | 126-5523 | 3 | Clip |
| 6 | 139-8067 | 1 | Vent Hose ASM | 9 | 140-4957 | 1 | ASM-Fuel Vent |
| 6:1 | 138-3152 | 2 | Hose-Fuel | 9:1 | 138-3152 | 1 | Hose-Fuel |
| 6:2 | 120-2234 | 1 | Fitting-Tee | 9:2 | 116-4630 | 1 | Fitting-Orifice, Straight |
| 6:3 | 140-4956 | 1 | Hose-Fuel | 9:3 | 116-4344 | 1 | Hose-Fuel |
| 7 | 139-8068 | 1 | Fuel Hose ASM | | | | |

Fuel Tank Assembly No. 139-6722

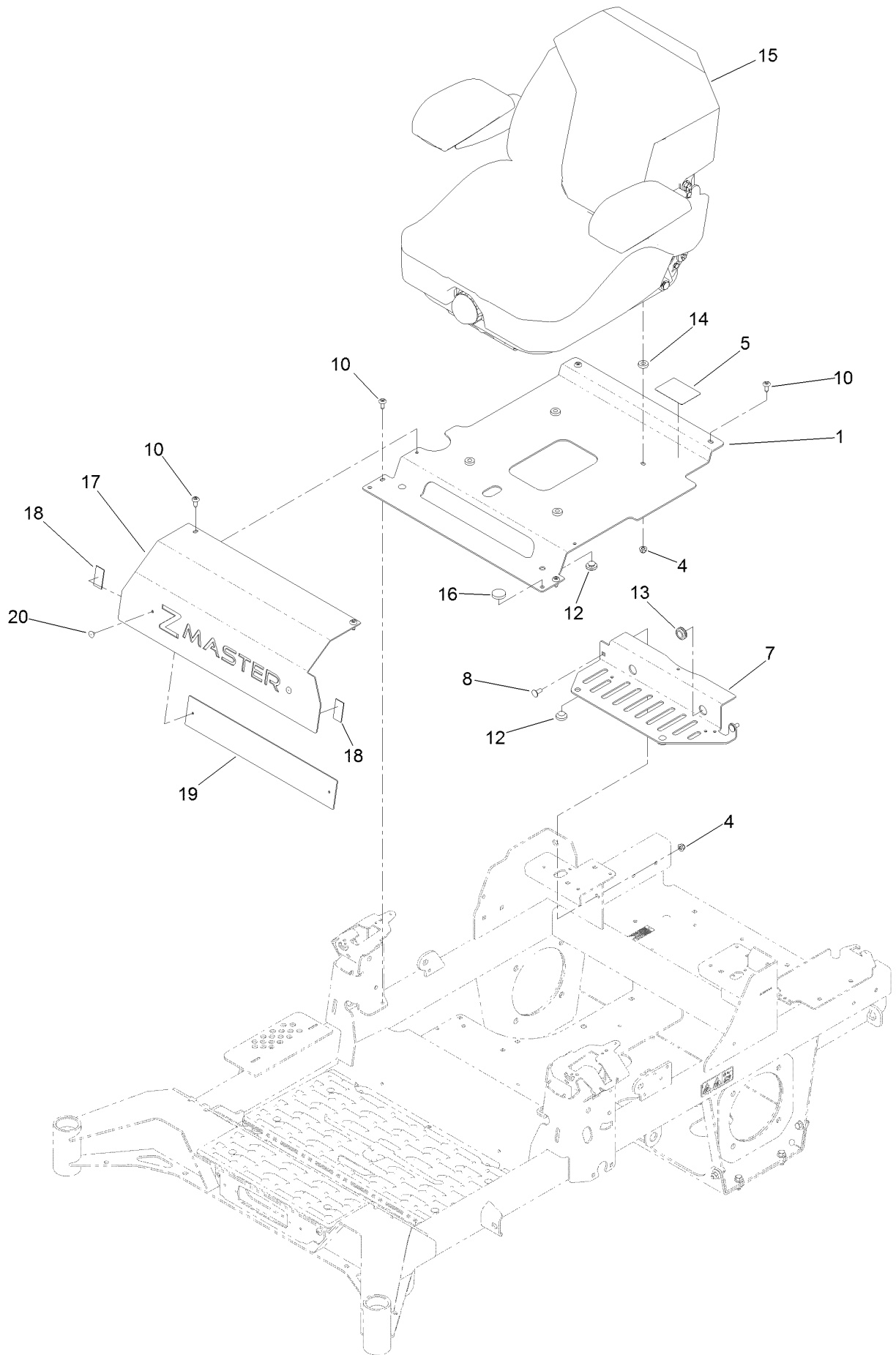


Fuel Tank Assembly No. 139-6722 (continued)

| <i>Ref.</i> | <i>Part Number</i> | <i>Qty.</i> | <i>Description</i> |
|-------------|--------------------|-------------|------------------------|
| 2 | 46-6560 | 4 | Bushing |
| 3 | 140-4955 | 1 | Connector Elbow-90 DEG |
| 4 | 133-9269 | 1 | Grommet-Fuel |

| <i>Ref.</i> | <i>Part Number</i> | <i>Qty.</i> | <i>Description</i> |
|-------------|--------------------|-------------|--------------------|
| 5 | 139-8058 | 1 | Gauge-Fuel |
| 6 | 126-9057 | 2 | Fitting-90 DEG |
| 7 | 140-4954 | 1 | Fitting-Tee |

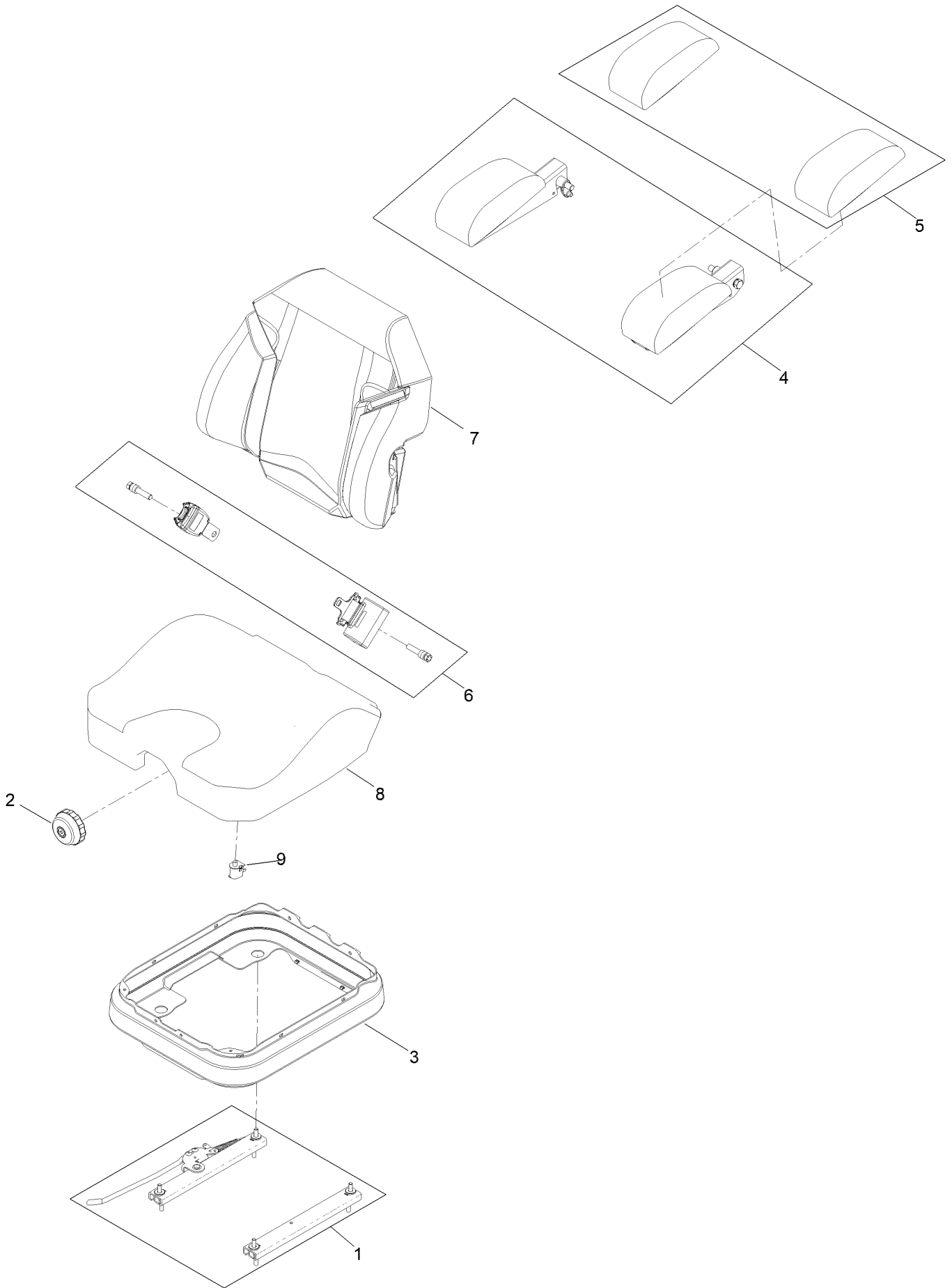
Seat Mount Assembly



Seat Mount Assembly (continued)

| <i>Ref.</i> | <i>Part Number</i> | <i>Qty.</i> | <i>Description</i> | <i>Ref.</i> | <i>Part Number</i> | <i>Qty.</i> | <i>Description</i> |
|-------------|--------------------|-------------|---------------------------|-------------|--------------------|-------------|----------------------------|
| 1 | 140-1165-03 | 1 | Pan-Seat [black] | 14 | 5-0652 | 4 | Spacer |
| 4 | 104-8300 | 6 | Nut-HF, NI | 15 | 144-2632 | 1 | Seat ASM-Suspension |
| 5 | 144-2669 | 1 | Decal-Service Aid | 16 | 109-9233 | 1 | Bumper-Push-In, Rubber |
| 7 | 139-6707-03 | 1 | Plate-Tank Retainer, Rear | 17 | 140-1207-03 | 1 | Plate-Tank Retainer, Front |
| 8 | 3230-23 | 2 | Bolt-CARR | 18 | 130-0733 | 2 | Pad-Rubber |
| 10 | 138-9753 | 6 | Screw | 19 | 140-4910-01 | 1 | Plate-Backer |
| 12 | 135-0505 | 4 | Bumper-Seat | 20 | 132-5064 | 2 | Rivet-Pop |
| 13 | 112-7069 | 1 | Grommet | | | | |

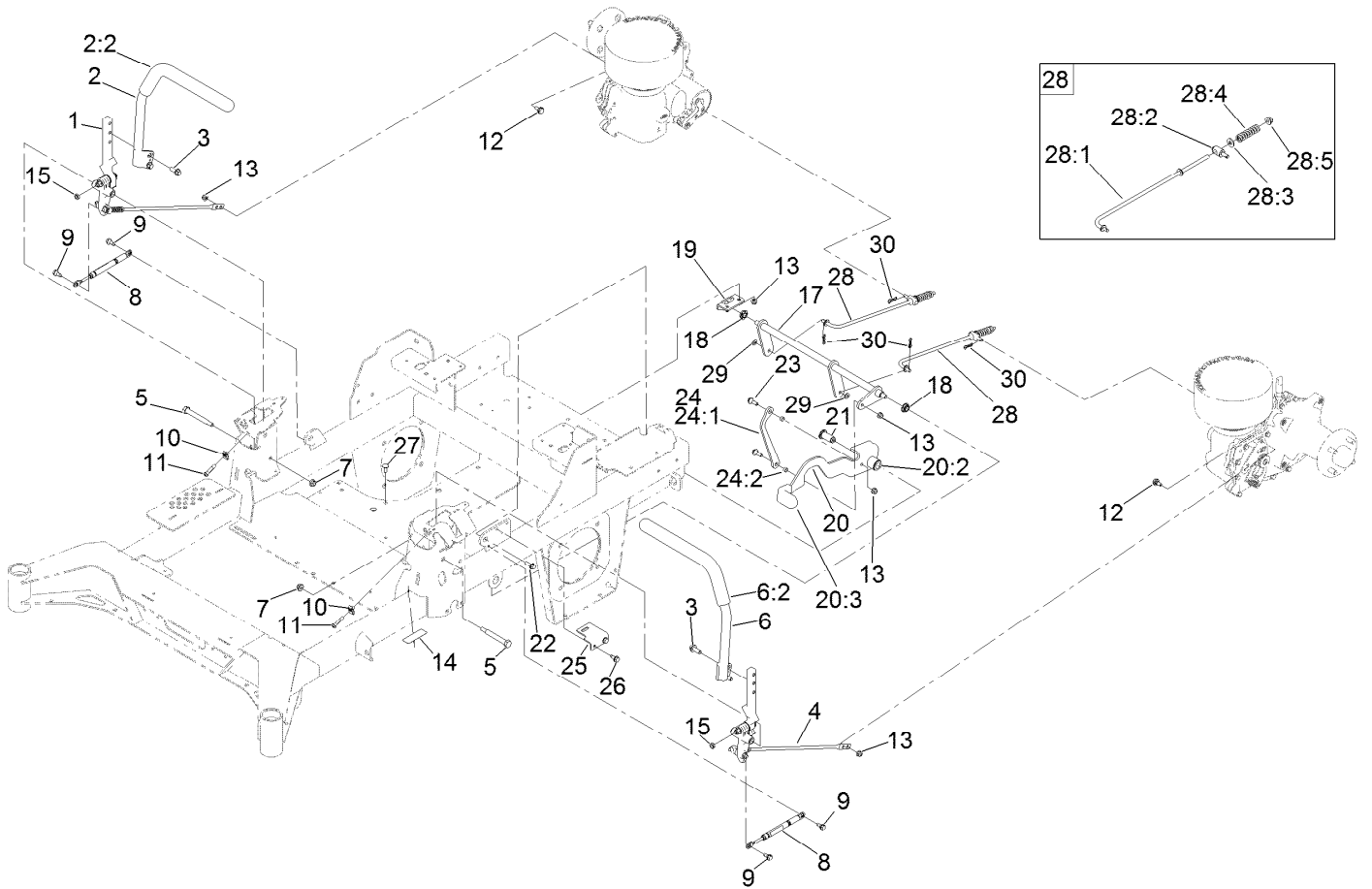
Seat Assembly No. 144-2632



Seat Assembly No. 144-2632 (continued)

| <i>Ref.</i> | <i>Part Number</i> | <i>Qty.</i> | <i>Description</i> | <i>Ref.</i> | <i>Part Number</i> | <i>Qty.</i> | <i>Description</i> |
|-------------|--------------------|-------------|--------------------|-------------|--------------------|-------------|--------------------|
| 1 | 140-8012 | 1 | Seat Track Set | 6 | 126-8560 | 1 | Kit-Seat Belt |
| 2 | 116-8911 | 1 | Knob-Adjuster | 7 | 145-3643 | 1 | Cover-Back, Seat |
| 3 | 126-8559 | 1 | Bellows-Seat | 8 | 145-3659 | 1 | Cover-Bottom, Seat |
| 4 | 145-3641 | 1 | Armrest Kit | 9 | 82-2190 | 1 | Switch-Bail |
| 5 | 145-3642 | 1 | Pads-Armrest | | | | |

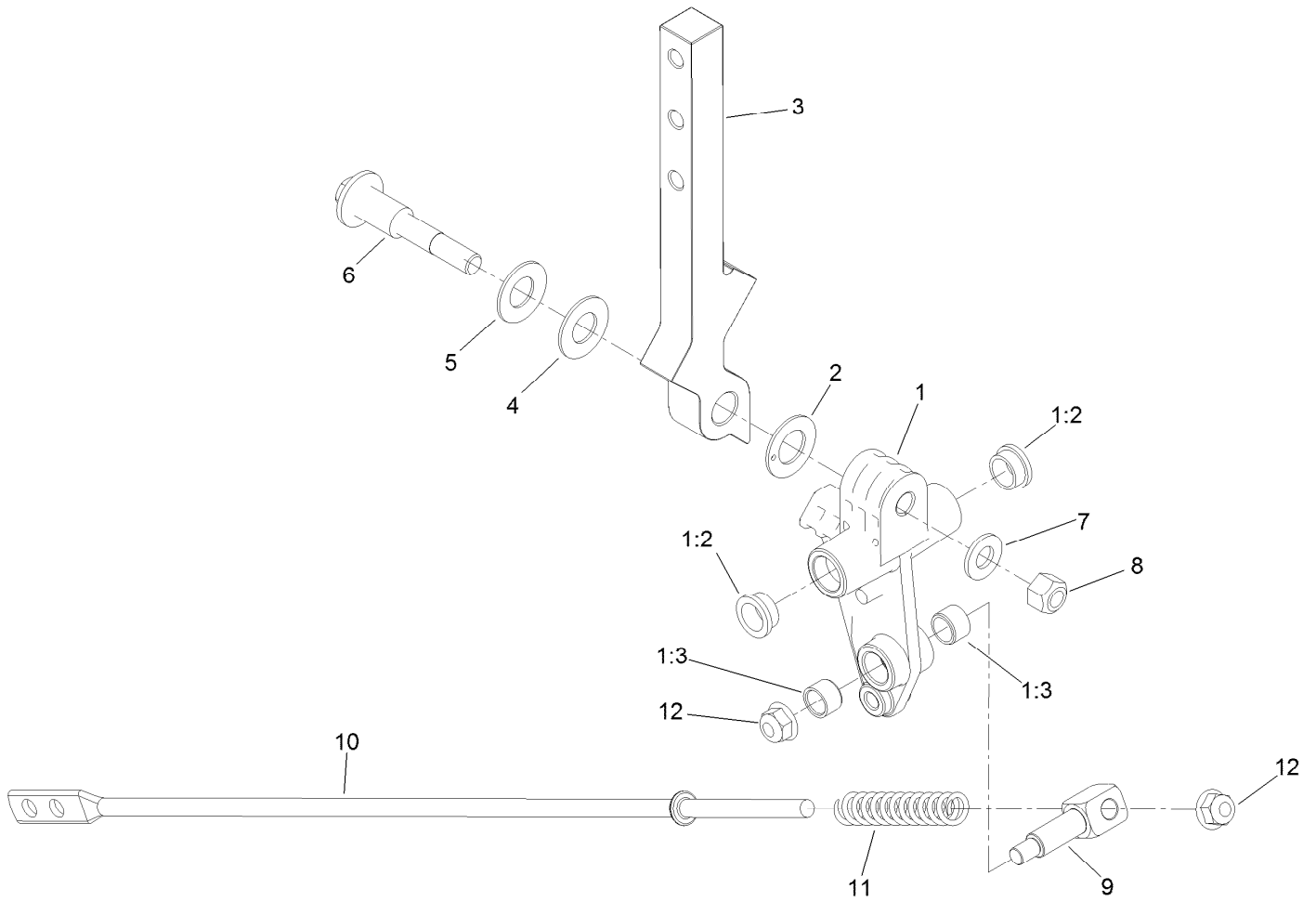
Motion Control Assembly



Motion Control Assembly (continued)

| <i>Ref.</i> | <i>Part Number</i> | <i>Qty.</i> | <i>Description</i> | <i>Ref.</i> | <i>Part Number</i> | <i>Qty.</i> | <i>Description</i> |
|-------------|--------------------|-------------|-----------------------|-------------|--------------------|-------------|------------------------|
| 1 | 139-6697 | 1 | Motion Control ASM-RH | 20 | 139-6726 | 1 | Brake Lever ASM W/Grip |
| 2 | 139-1089 | 1 | Handle ASM - RH | 20:2 | 109-8054 | 2 | Bushing-Flange |
| 2:2 | 109-5668 | 1 | Grip-Lever, Control | 20:3 | 132-4749 | 1 | Grip-Lever |
| 3 | 3234-42 | 4 | Screw-HHF | 21 | 139-6743 | 1 | Pivot-Handle |
| 4 | 139-6696 | 1 | Motion Control ASM-LH | 22 | 3234-29 | 1 | Screw-HHF |
| 5 | 115-5099 | 2 | Bolt-Pivot | 23 | 116-2670 | 2 | Screw-Shoulder |
| 6 | 139-1090 | 1 | Handle ASM - LH | 24 | 144-6566 | 1 | Brake Link ASM |
| 6:2 | 109-5668 | 1 | Grip-Lever, Control | 24:1 | 144-6565 | 1 | Plate-Link, Handle |
| 7 | 104-8301 | 2 | Nut-HF, NI | 24:2 | 116-4976 | 2 | Bushing-Sleeve |
| 8 | 126-4322 | 2 | Damper | 25 | 139-6745 | 1 | Plate-Switch |
| 9 | 126-4424 | 4 | Screw-Shoulder | 26 | 32144-70 | 2 | Screw-HWHTF |
| 10 | 112-3306 | 2 | Nut | 27 | 3230-23 | 2 | Bolt-CARR |
| 11 | 126-4299 | 2 | Screw-HSBH | 28 | 144-0353 | 2 | Brake Rod ASM |
| 12 | 37-8771 | 2 | Bolt-Shoulder, HF | 28:1 | 140-4952 | 1 | Rod-Brake |
| 13 | 104-8300 | 6 | Nut-HF, NI | 28:2 | 139-6741 | 1 | Fitting-Rod |
| 14 | 115-9625 | 1 | Decal-Brake, Parking | 28:3 | 3256-3 | 1 | Washer-Flat |
| 15 | 3218-3 | 2 | Nut-Jam | 28:4 | 144-2645 | 1 | Spring-Compression |
| 17 | 144-2658 | 1 | Brake ASM | 28:5 | 104-8301 | 1 | Nut-HF, NI |
| 18 | 126-5820 | 2 | Bearing-Spherical | 29 | 3256-45 | 2 | Washer-Flat |
| 19 | 139-6742 | 1 | Bracket-Brake | 30 | 119-1415 | 4 | Pin-Cotter, Locking |

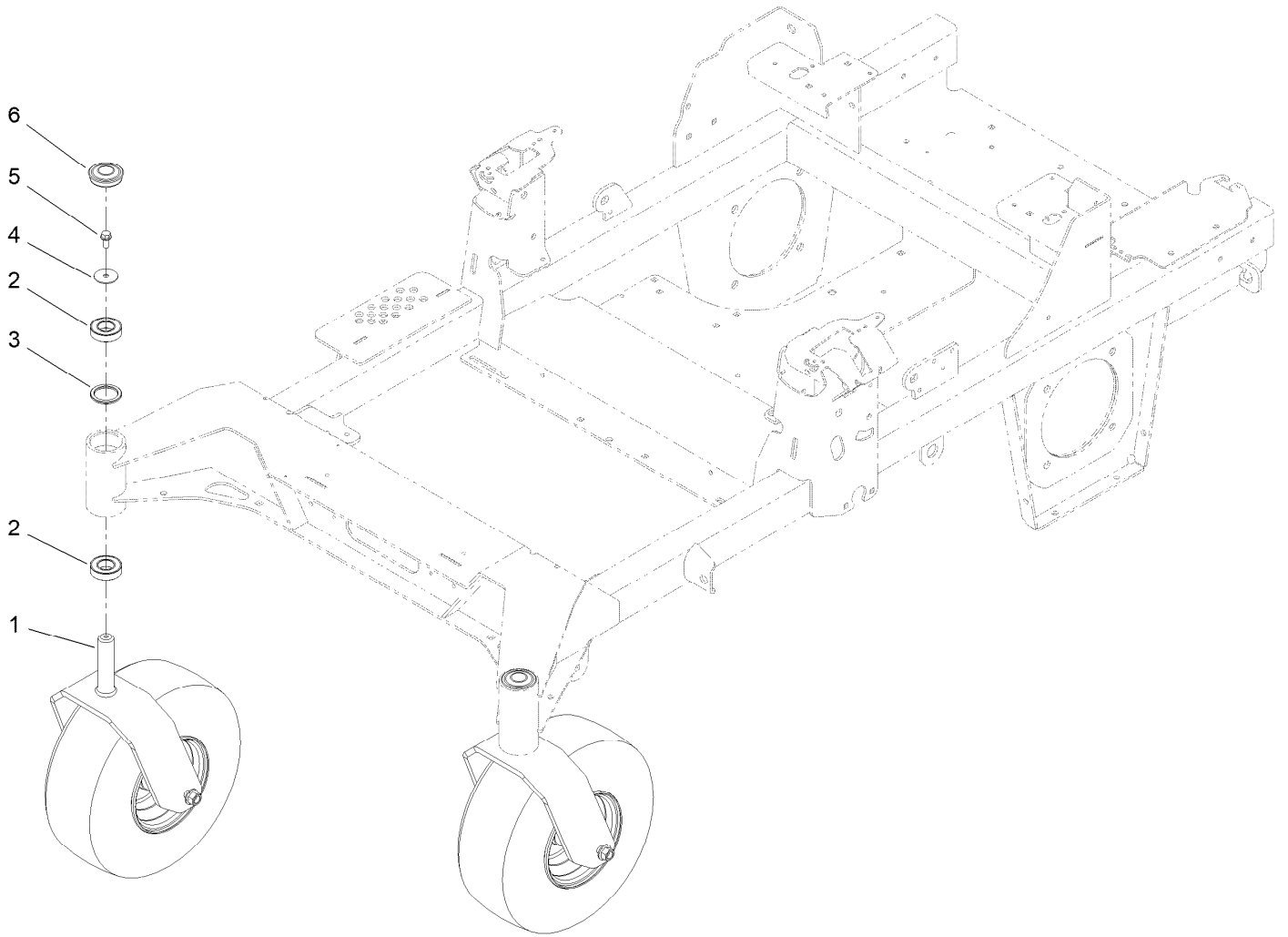
Left and Right Control Arm Assembly



Left and Right Control Arm Assembly (continued)

| <i>Ref.</i> | <i>Part Number</i> | <i>Qty.</i> | <i>Description</i> | <i>Ref.</i> | <i>Part Number</i> | <i>Qty.</i> | <i>Description</i> |
|-------------|--------------------|-------------|--------------------|-------------|--------------------|-------------|------------------------|
| 1 | 126-3773 | 1 | Control Arm ASM | 6 | 117-1198 | 1 | Bolt-Pivot |
| 1:2 | 126-8909 | 2 | Bushing | 7 | 3256-24 | 1 | Washer-Plain |
| 1:3 | 1-413152 | 2 | Bushing-Sleeve | 8 | 32152-2 | 1 | Nut-Lock, Cone |
| 2 | 126-7296 | 1 | Washer-Friction | 9 | 126-5434 | 1 | Swivel |
| 3 | 126-8182 | 1 | Arm-Control | 10 | 140-4949 | 1 | Link-Control |
| 4 | 117-1240 | 1 | Washer | 11 | 126-8195 | 1 | Spring-Return, Neutral |
| 5 | 119-8925 | 1 | Washer-Belleville | 12 | 104-8300 | 2 | Nut-HF, NI |

Caster Wheel Assembly

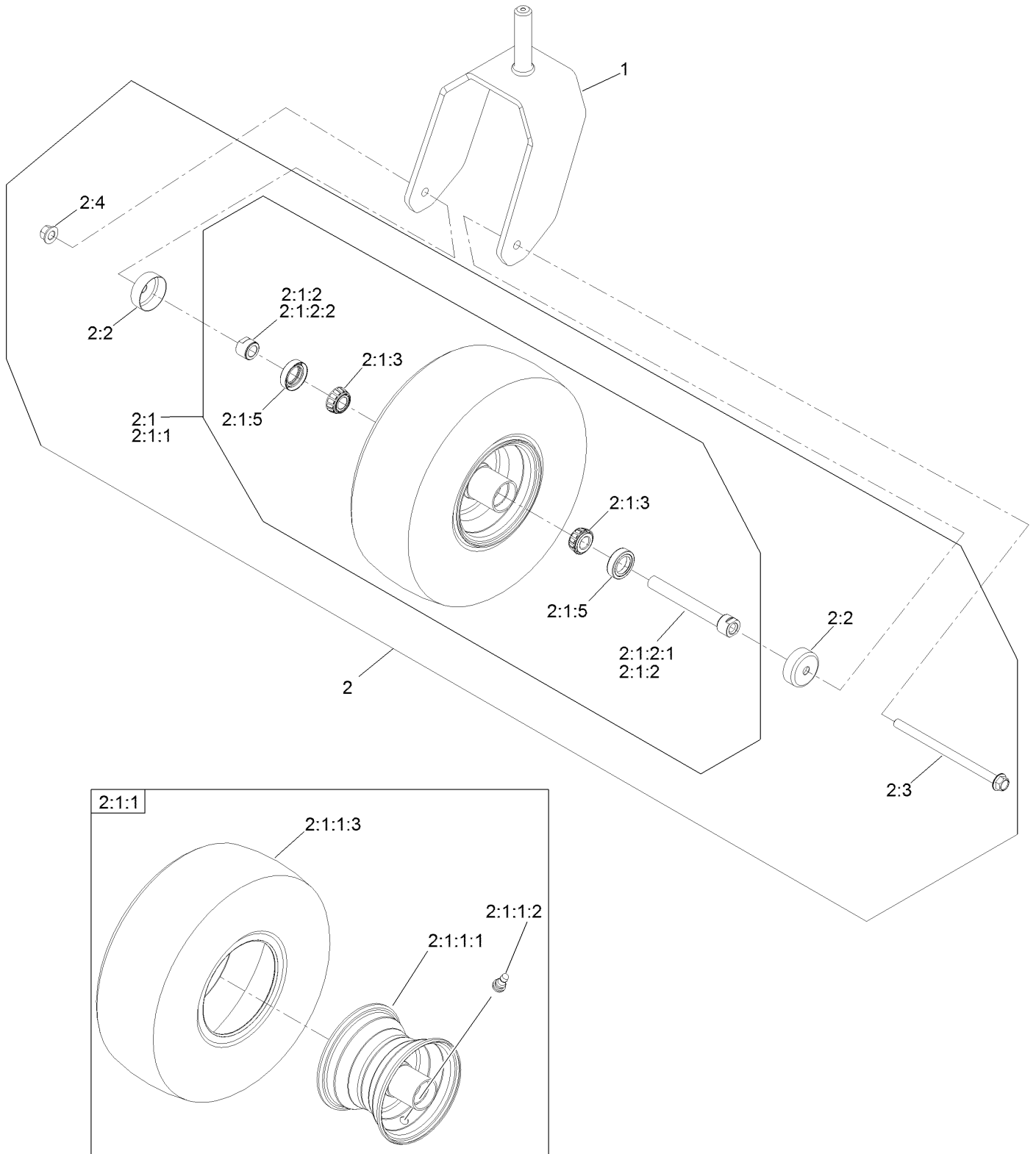


Caster Wheel Assembly (continued)

| <i>Ref.</i> | <i>Part Number</i> | <i>Qty.</i> | <i>Description</i> | <i>Ref.</i> | <i>Part Number</i> | <i>Qty.</i> | <i>Description</i> |
|-------------|--------------------|-------------|---------------------------|-------------|--------------------|-------------|--------------------|
| 1 | | 2 | ASM-Front Caster W/Fork ● | 4 | 3256-68 | 2 | Washer-Flat |
| 2 | 109-3678 | 4 | Bearing-Ball | 5 | 3234-5 | 2 | Screw-HHF |
| 3 | 145-3660 | 2 | Spacer-Bearing | 6 | 144-0375 | 2 | Cap, Grease |

● Not serviced separately

Caster Wheel and Fork Assembly

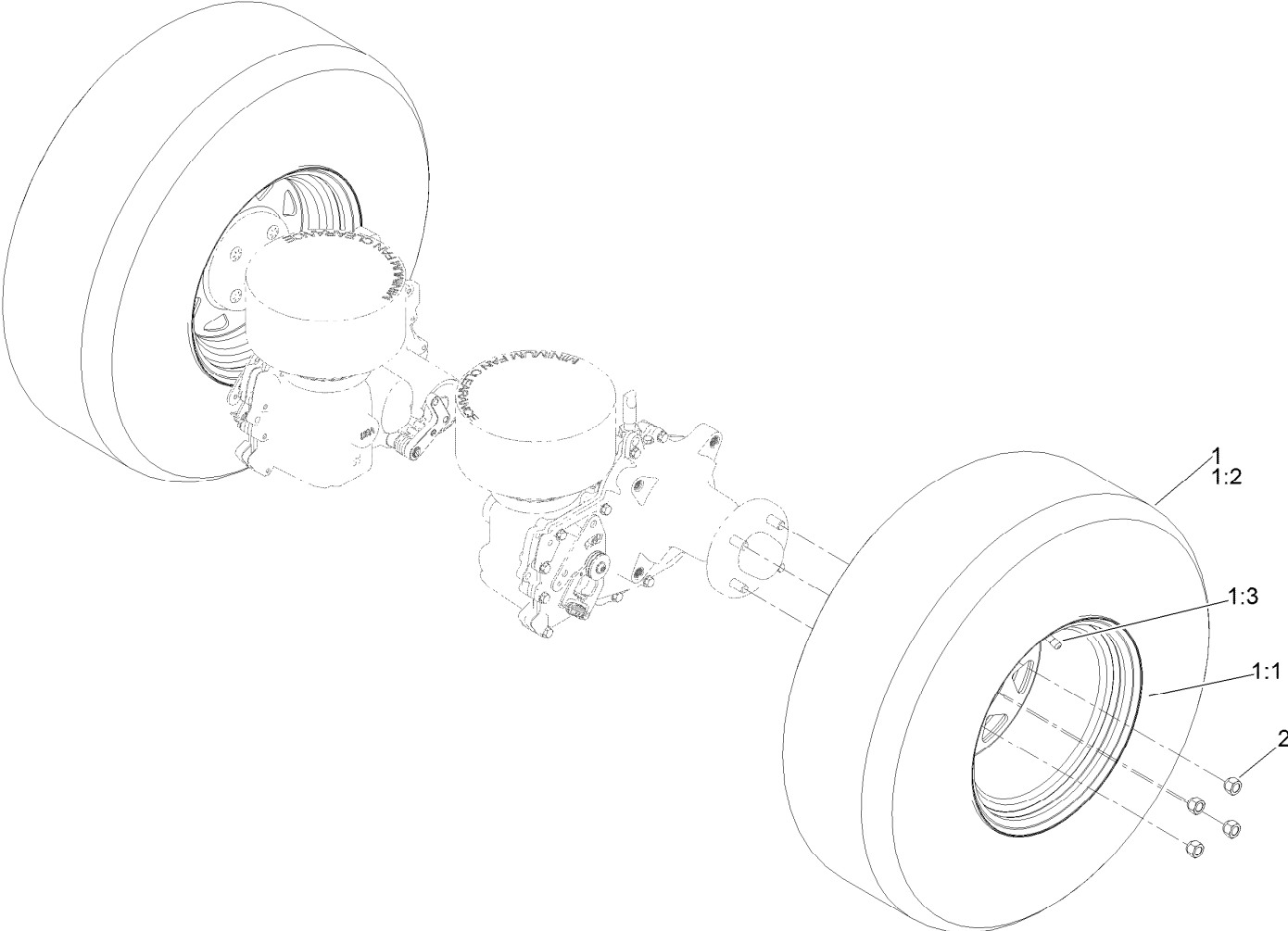


Caster Wheel and Fork Assembly (continued)

| <i>Ref.</i> | <i>Part Number</i> | <i>Qty.</i> | <i>Description</i> | <i>Ref.</i> | <i>Part Number</i> | <i>Qty.</i> | <i>Description</i> |
|-------------|--------------------|-------------|--------------------------------|-------------|--------------------|-------------|---------------------|
| 1 | 140-4941-01 | 1 | Caster Fork [red] | 2:1:2 | | 1 | Caster Axle ASM ● |
| 2 | 140-4943 | 1 | ASM-Pneumatic 15X6.50-6 | 2:1:2:1 | 126-5220 | 1 | Axle-Caster |
| 2:1 | | 1 | ASM Whl/Brgs 15X6.5-6 ● | 2:1:2:2 | 103-3051 | 1 | Spacer-Nut |
| 2:1:1 | 140-4945 | 1 | Wheel And Tire ASM 15X6.5-6 | 2:1:3 | 1-633585 | 2 | Bearing-Cone, Taper |
| 2:1:1:1 | 139-3624 | 1 | Wheel Rim 6X4.5 | 2:1:5 | 103-0063 | 2 | Seal-Caster |
| 2:1:1:2 | 5108 | 1 | Valve | 2:2 | 103-2768 | 2 | Guard-Seal |
| 2:1:1:3 | 140-4946 | 1 | Tire | 2:3 | 126-5389 | 1 | Screw-HHF |
| | | | | 2:4 | 99-5107 | 1 | Nut-Lock |

● Not serviced separately

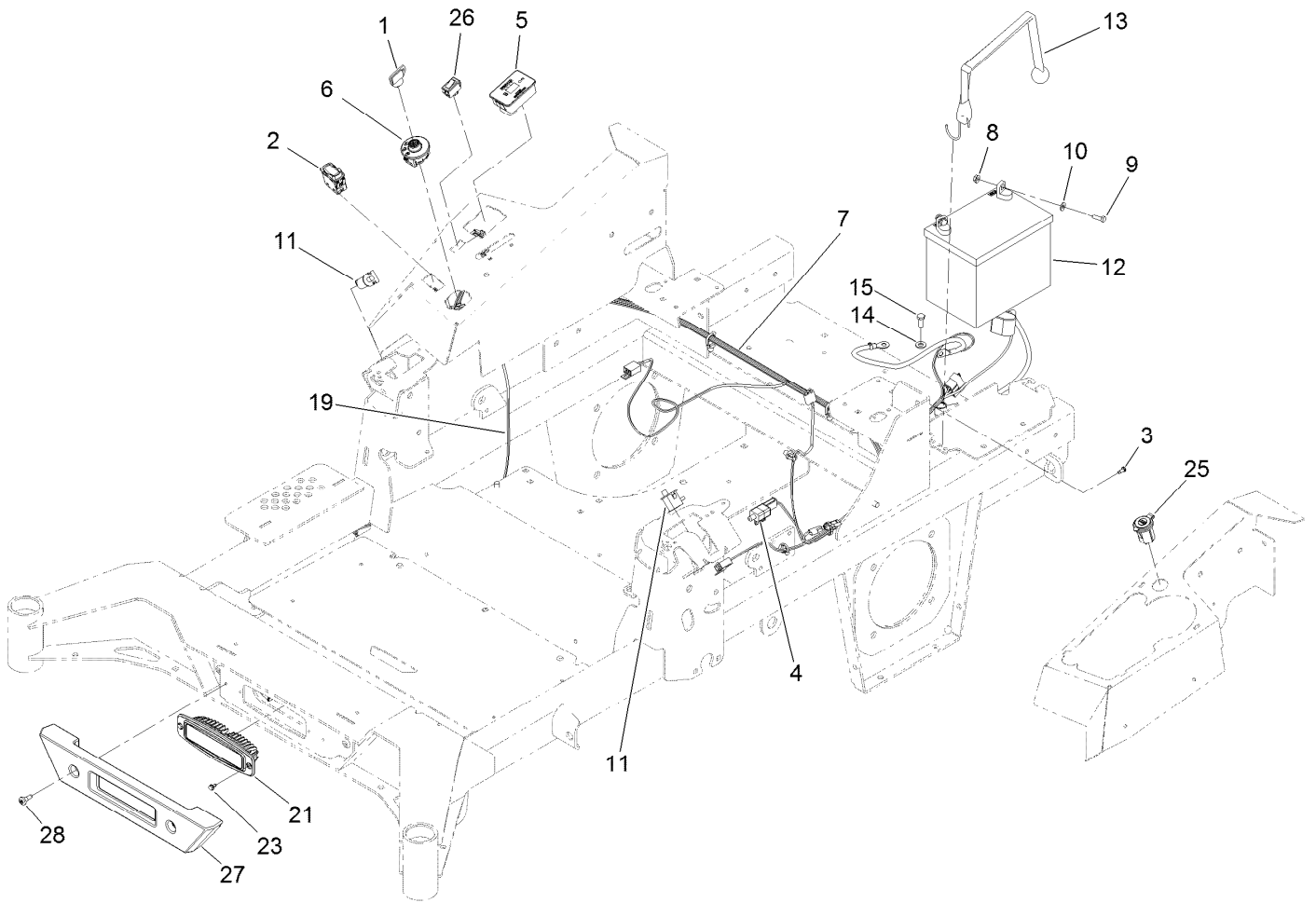
Rear Wheel Assembly



Rear Wheel Assembly (continued)

| <i>Ref.</i> | <i>Part Number</i> | <i>Qty.</i> | <i>Description</i> | <i>Ref.</i> | <i>Part Number</i> | <i>Qty.</i> | <i>Description</i> |
|-------------|--------------------|-------------|--------------------|-------------|--------------------|-------------|--------------------|
| 1 | 140-7981 | 2 | Wheel And Tire ASM | 1:3 | 232-27 | 1 | Stem-Valve |
| 1:1 | 140-7969 | 1 | Wheel | 2 | 242-50 | 8 | Nut-Lug |
| 1:2 | 140-7985 | 1 | Tire | | | | |

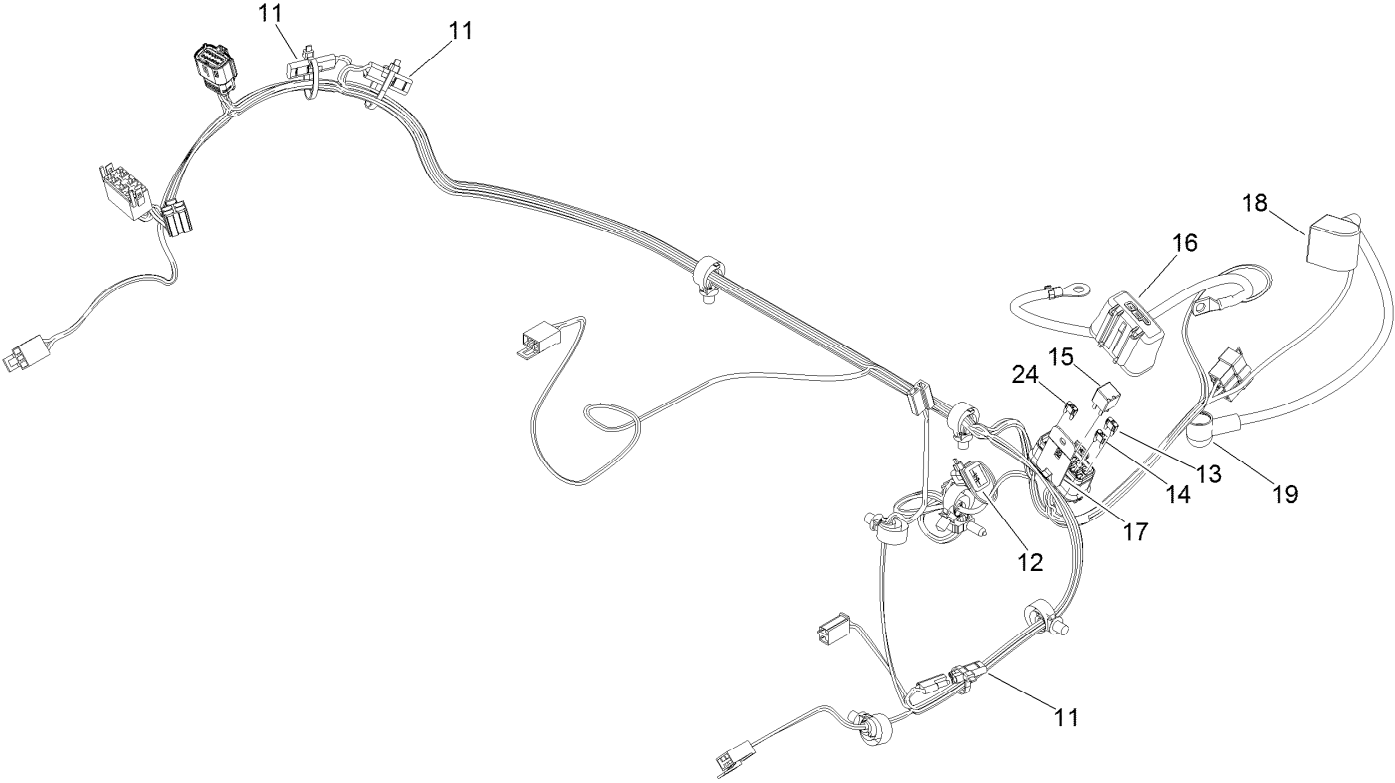
Electrical Assembly



Electrical Assembly (continued)

| <i>Ref.</i> | <i>Part Number</i> | <i>Qty.</i> | <i>Description</i> | <i>Ref.</i> | <i>Part Number</i> | <i>Qty.</i> | <i>Description</i> |
|-------------|--------------------|-------------|------------------------------|-------------|--------------------|-------------|-------------------------|
| 1 | 1-603511 | 1 | Keys-Ignition (Spare Pair) | 11 | 82-2190 | 2 | Switch-Bail |
| 1 | 63-8360 | 1 | Key-Ignition | 12 | 104-8162 | 1 | Battery |
| 2 | 139-6368 | 1 | Switch-Rocker, On-None-On | 13 | 126-7627 | 1 | Strap-Bungee |
| 3 | 99-8445 | 1 | Screw-HWH | 14 | 33094-00 | 1 | Washer-Plain |
| 4 | 110-6765 | 1 | Switch | 15 | 33114-020 | 1 | Screw-HH |
| 5 | 116-5609 | 1 | Module ASM | 19 | 140-1213 | 1 | Harness-Wire, Light Kit |
| 6 | 137-4100 | 1 | Switch-Ignition | 21 | 139-8089 | 1 | Mount-Flush, Light |
| 7 | 139-8078 | 1 | Harness-Wire | 23 | 104-2065 | 2 | Screw-HWH |
| 8 | 32128-33 | 2 | Nut-HF | 25 | 140-7955 | 1 | Port-Power, USB |
| 9 | 321-4 | 2 | Screw-HH | 26 | 92-8875 | 1 | Switch-Rocker |
| 10 | 3256-22 | 2 | Washer-Flat | 27 | 140-4993 | 1 | Bumper-Front |
| | | | | 28 | 135-2015 | 2 | Screw-Shoulder |

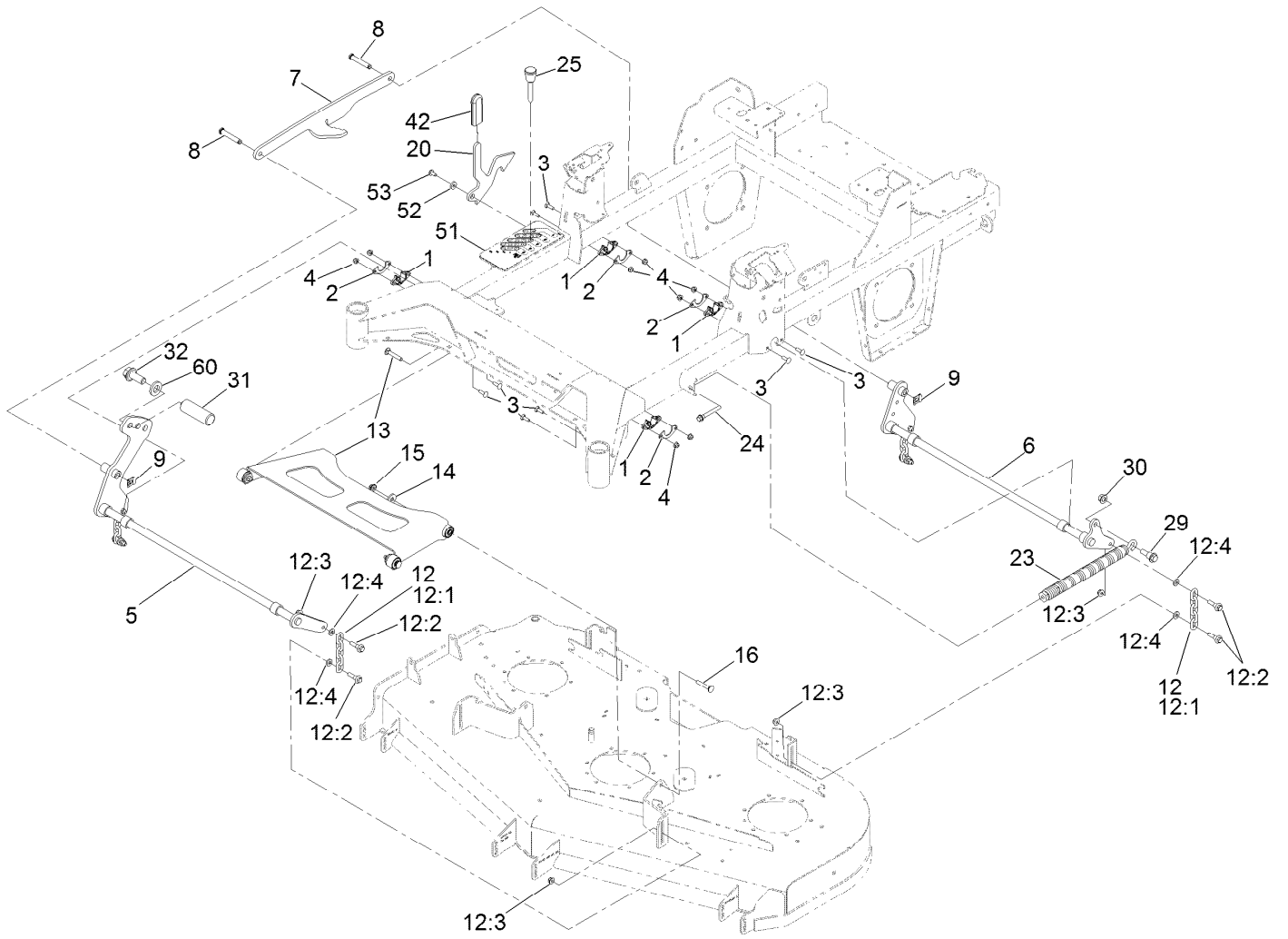
Wire Harness Assembly No. 139-8078



Wire Harness Assembly No. 139-8078 (continued)

| <i>Ref.</i> | <i>Part Number</i> | <i>Qty.</i> | <i>Description</i> | <i>Ref.</i> | <i>Part Number</i> | <i>Qty.</i> | <i>Description</i> |
|-------------|--------------------|-------------|-------------------------|-------------|--------------------|-------------|-------------------------|
| 11 | 116-0053 | 3 | Cap-Plug | 16 | 32180-176 | 1 | Cover-Block, Fuse |
| 12 | 103-3895 | 1 | Diode | 17 | 32180-177 | 1 | Clip-Mounting |
| 13 | 121-8867 | 1 | Fuse-Mini Blade, 15 Amp | 18 | 126-8876 | 1 | Insulator-Battery |
| 14 | 121-8868 | 1 | Fuse-Mini Blade, 20 Amp | 19 | 1-543393 | 1 | Insulator-Solenoid |
| 15 | 126-3991 | 1 | Relay-Micro | 24 | 121-8869 | 1 | Fuse-Mini Blade, 25 Amp |

Deck Lift Assembly



Deck Lift Assembly (continued)

| <i>Ref.</i> | <i>Part Number</i> | <i>Qty.</i> | <i>Description</i> | <i>Ref.</i> | <i>Part Number</i> | <i>Qty.</i> | <i>Description</i> |
|-------------|--------------------|-------------|-------------------------------|-------------|--------------------|-------------|----------------------|
| 1 | 115-5065 | 4 | Bushing-Flange | 14 | 1-373034 | 2 | Washer |
| 2 | 116-2887 | 4 | Gusset-Lift, Deck | 15 | 109-6658 | 2 | Nut-Flange, NI |
| 3 | 3230-22 | 8 | Screw-CARR | 16 | 3231-7 | 2 | Screw-CARR |
| 4 | 104-8300 | 8 | Nut-HF, NI | 20 | 140-1249 | 1 | Plate-Transport Lock |
| 5 | 139-8050-03 | 1 | Front Deck Lift Shaft ASM | 23 | 116-0886 | 1 | Spring-Extension |
| 6 | 140-4975-03 | 1 | Shaft-Lift, Deck | 24 | 92-7674 | 1 | Bolt-Shoulder |
| 7 | 126-4639-03 | 1 | Link-HOC | 25 | 126-5401 | 1 | Pin-HOC |
| 8 | 126-9181 | 2 | Pin-Clevis | 29 | 116-0780 | 1 | Screw-Shoulder, HHF |
| 9 | 138-8491 | 2 | Clip-Pin | 30 | 99-5107 | 1 | Nut-Lock |
| 12 | 126-8877 | 4 | Deck Chain ASM | 31 | 140-4959 | 1 | Pedal-Foot Lift |
| 12:1 | 1-633447 | 1 | Chain-Lift, Deck | 32 | 3234-42 | 1 | Screw-HHF |
| 12:2 | 130-0742 | 2 | Bolt-Shoulder | 42 | 132-4749 | 1 | Grip-Lever |
| 12:3 | 104-8301 | 2 | Nut-HF, NI | 51 | 139-6699 | 1 | Decal-HOC |
| 12:4 | 43-0940 | 2 | Spacer | 52 | 104-7658 | 1 | Spacer |
| 13 | 140-1179 | 1 | Deck Strut W/ Bushings ASM | 53 | 9266934 | 1 | Screw |
| | | | | 60 | 2844 | 1 | Washer |

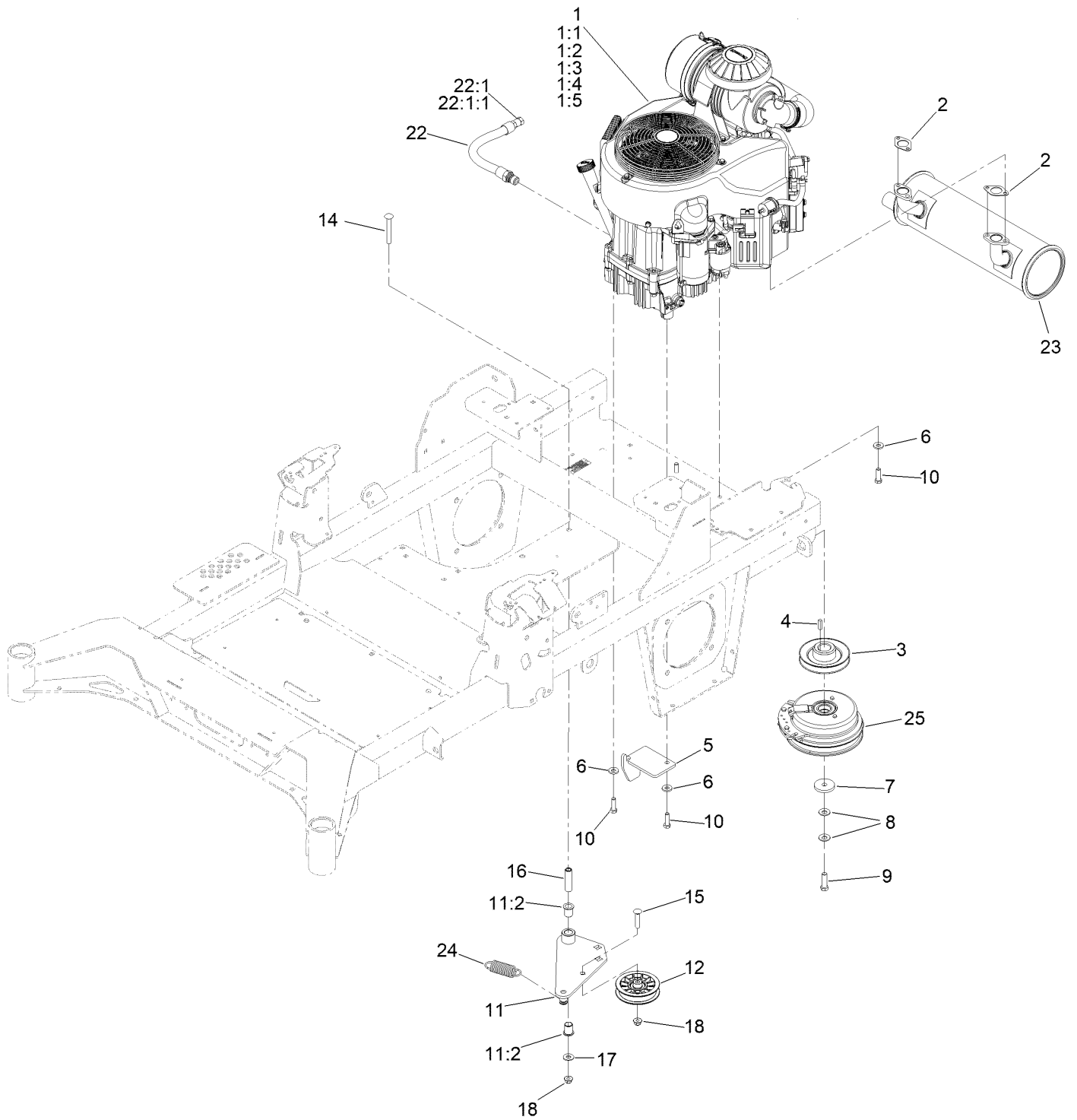
Deck Strut Assembly No. 140-1179



Deck Strut Assembly No. 140-1179 (continued)

| <i>Ref.</i> | <i>Part Number</i> | <i>Qty.</i> | <i>Description</i> | <i>Ref.</i> | <i>Part Number</i> | <i>Qty.</i> | <i>Description</i> |
|-------------|--------------------|-------------|-------------------------------|-------------|--------------------|-------------|--------------------|
| 2 | 126-8360 | 4 | Bushing-Rubber, Suspension | 4 | 3231-7 | 2 | Screw-CARR |
| 3 | 108-6544 | 4 | Spacer | 5 | 2844 | 2 | Washer |
| | | | | 6 | 104-8301 | 2 | Nut-HF, NI |

Engine, Clutch and Muffler Assembly



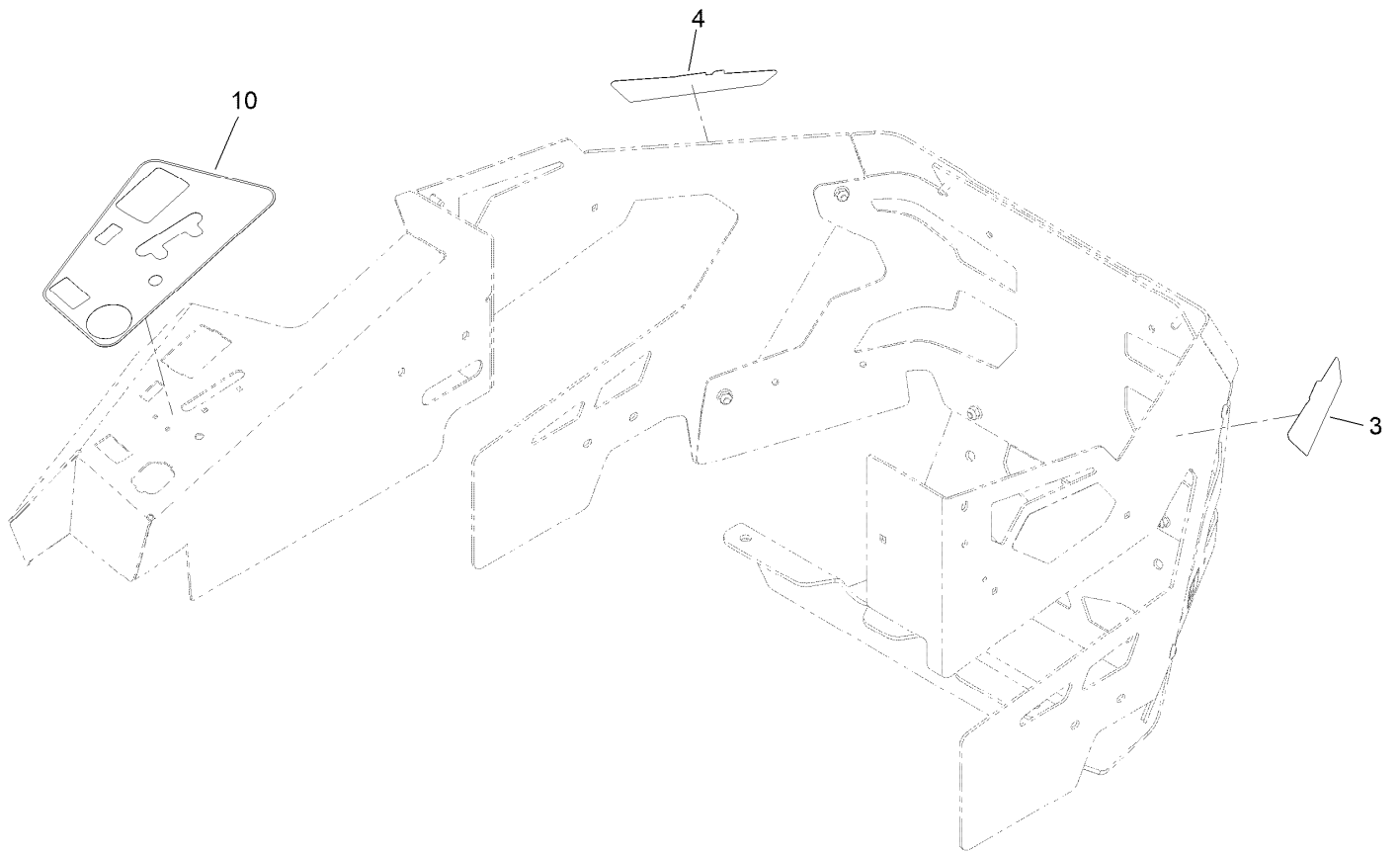
Engine, Clutch and Muffler Assembly (continued)

| <i>Ref.</i> | <i>Part Number</i> | <i>Qty.</i> | <i>Description</i> | <i>Ref.</i> | <i>Part Number</i> | <i>Qty.</i> | <i>Description</i> |
|-------------|--------------------|-------------|-------------------------------------|-------------|--------------------|-------------|---------------------------|
| 1 | | 1 | Engine-Kawasaki, Fx801V-S04-R ■▲ | 10 | 323-7 | 4 | Screw-HH |
| 1:1 | KW10761 | 1 | Filter-Oil Kaw | 11 | 144-2671 | 1 | Idler Arm ASM |
| 1:2 | 119-5944 | 1 | Element-Filter, Air (Outer) | 11:2 | 138-2573 | 2 | Bushing-Flange |
| 1:3 | 119-5945 | 1 | Element-Filter, Air (Inner) | 12 | 116-2456 | 1 | Pulley-Flat Idler |
| 1:4 | 142-6949 | 1 | Filter-Fuel | 14 | 3231-42 | 1 | Screw-CARR |
| 1:5 | 92-2153 | 1 | Plug-Spark | 15 | 3231-29 | 1 | Screw-CARR |
| 2 | 1-653313 | 2 | Gasket-Exhaust | 16 | 139-6690 | 1 | Bushing, Idler Pivot |
| 3 | 139-6702 | 1 | Sheave, W/Hub | 17 | 3256-4 | 1 | Washer-Flat |
| 4 | 1-807259 | 1 | Key | 18 | 104-8301 | 2 | Nut-HF, NI |
| 5 | 140-1190 | 1 | Anchor-Clutch | 22 | 116-4924 | 1 | Engine Oil Drain Hose ASM |
| 6 | 98-5975 | 4 | Washer-Belleville | 22:1 | 353-508 | 1 | Plug-HH ● |
| 7 | 109-6919 | 1 | Washer-Plain | 22:1:1 | 237-42 | 1 | O-Ring |
| 8 | 1-603610 | 2 | Washer-Spring | 23 | 139-1079 | 1 | Muffler |
| 9 | 109-9761 | 1 | Screw-HH | 24 | 1-653331 | 1 | Spring-Idler |
| | | | | 25 | 116-1604 | 1 | Clutch |

● Torque to 24-26 ft-lb
▲ Obtain parts from www.kawpower.com

■ Not serviced separately

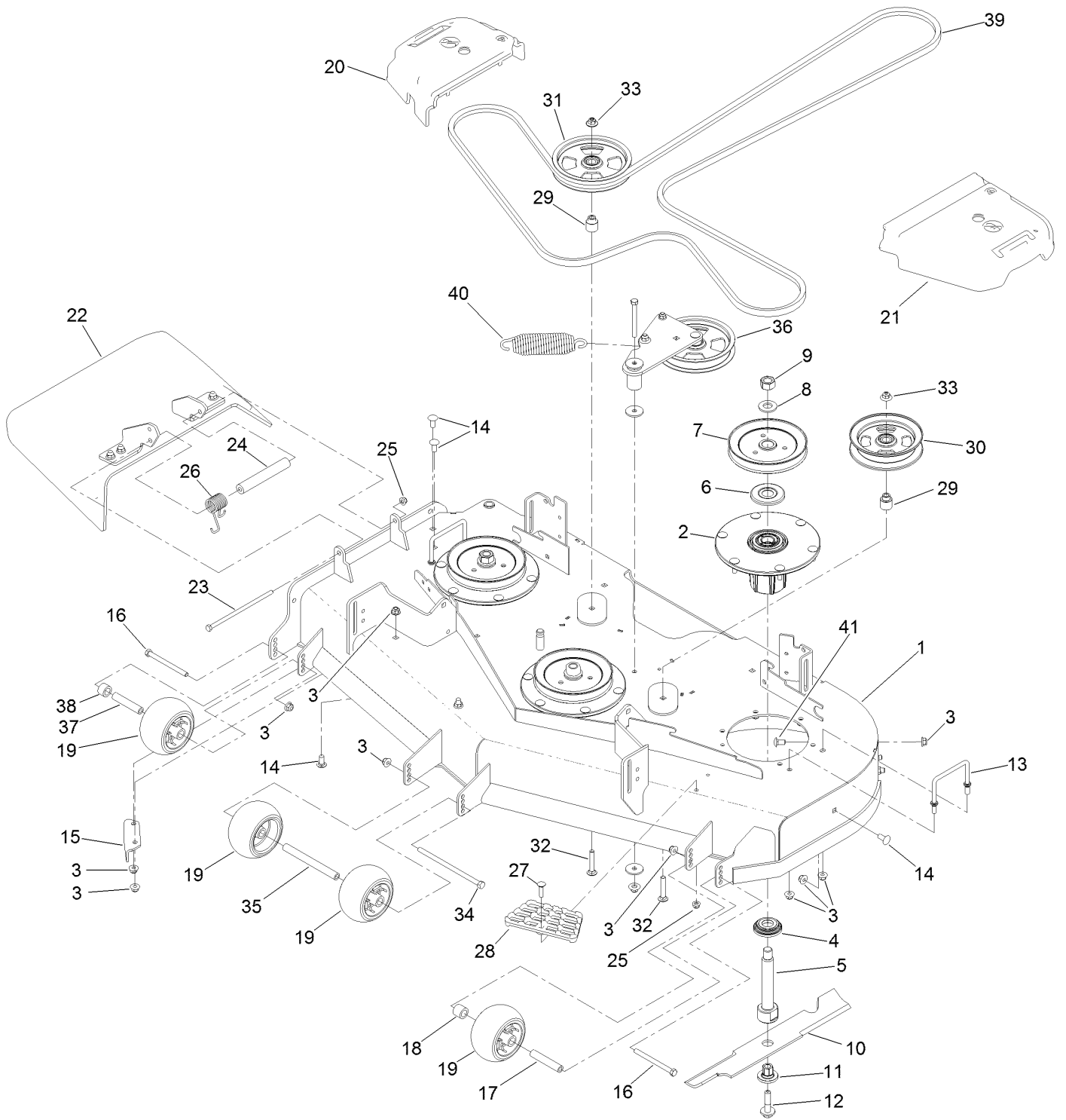
Decal Assembly



Decal Assembly (continued)

| <i>Ref.</i> | <i>Part Number</i> | <i>Qty.</i> | <i>Description</i> |
|-------------|--------------------|-------------|----------------------|
| 3 | 144-0440 | 1 | Decal - HD |
| 4 | 144-0441 | 1 | Decal - HD |
| 10 | 144-6569 | 1 | Decal-Panel, Control |

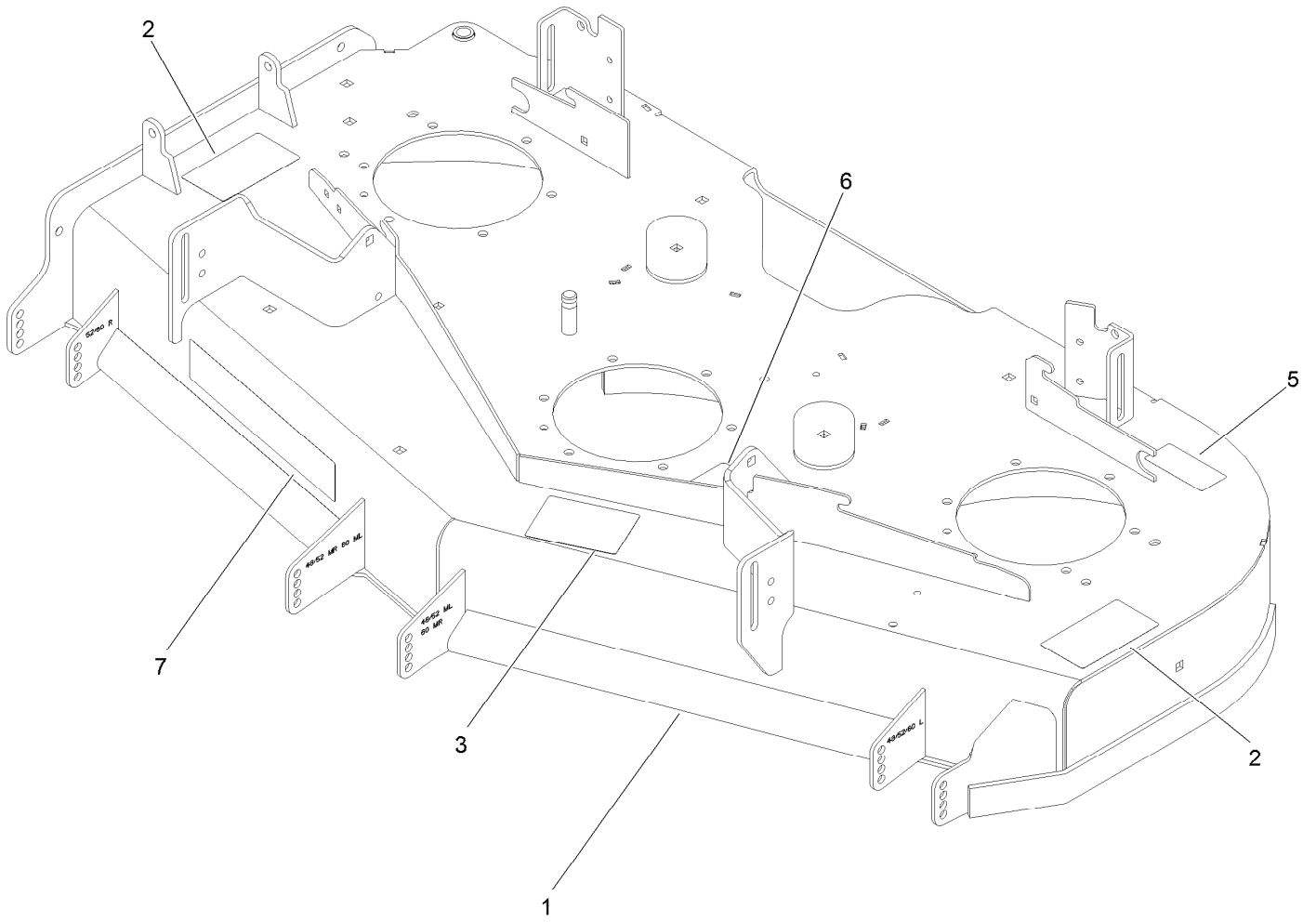
Deck Assembly



Deck Assembly (continued)

| <i>Ref.</i> | <i>Part Number</i> | <i>Qty.</i> | <i>Description</i> | <i>Ref.</i> | <i>Part Number</i> | <i>Qty.</i> | <i>Description</i> |
|-------------|--------------------|-------------|-------------------------|-------------|--------------------|-------------|----------------------|
| 1 | 144-6587 | 1 | Deck Decal ASM | 22 | 144-2635 | 1 | Rubber Deflector ASM |
| 2 | 137-9780 | 3 | Spindle ASM | 23 | 322-50 | 1 | Screw-HH |
| 3 | 104-8301 | 34 | Nut-HF, NI | 24 | 105-4622 | 1 | Spacer |
| 4 | 137-9784 | 3 | Guard-Bottom | 25 | 104-8300 | 2 | Nut-HF, NI |
| 5 | 138-6045 | 3 | Shaft-Spindle | 26 | 108-4052 | 1 | Spring-Torsion |
| 6 | 103-1330 | 3 | Guard-Bearing, Top | 27 | 3230-3 | 1 | Screw-CARR |
| 7 | 138-6058 | 3 | Sheave-Blade Drive 6.50 | 28 | 126-4781-03 | 1 | Step-Deck |
| 8 | 103-2802 | 3 | Washer | 29 | 139-8061 | 2 | Bushing, Idler |
| 9 | 116-7306 | 3 | Nut-Hex | 30 | 132-9425 | 1 | Pulley-Idler, Flat |
| 10 | 140-1242 | 3 | Blade-Flow, High | 31 | 132-9424 | 1 | Pulley-Idler, Flat |
| 11 | 137-9787 | 3 | Bushing-Hex | 32 | 3231-7 | 2 | Screw-CARR |
| 12 | 109-9220 | 3 | Screw-Sems | 33 | 109-6658 | 2 | Nut-Flange, NI |
| 13 | 109-6982 | 2 | Wireform-Cover | 34 | 108-5388 | 1 | Screw-HH |
| 14 | 3231-27 | 6 | Screw-CARR | 35 | 98-5967 | 1 | Spacer-Wheel |
| 15 | 107-8541-01 | 1 | Baffle-Discharge | 36 | 139-1087 | 1 | Idler Arm ASM |
| 16 | 323-23 | 2 | Screw-HH | 37 | 133-2129 | 1 | Tube-Shafting |
| 17 | 98-7912 | 1 | Tube-Spanner | 38 | 133-2128 | 1 | Tube-Spacer |
| 18 | 98-7913 | 1 | Tube-Spacer | 39 | 144-0356 | 1 | Belt-V |
| 19 | 1-603299 | 4 | Roller-Scalp, Anti | 40 | 116-6317 | 1 | Spring-Extension |
| 20 | 109-6935 | 1 | Cover-Belt, RH | 41 | 3231-21 | 3 | Screw-CARR |
| 21 | 109-6936 | 1 | Cover-Belt, LH | | | | |

Deck Decal Assembly No. 144-6587



Deck Decal Assembly No. 144-6587 (continued)

| <i>Ref.</i> | <i>Part Number</i> | <i>Qty.</i> | <i>Description</i> | <i>Ref.</i> | <i>Part Number</i> | <i>Qty.</i> | <i>Description</i> |
|-------------|--------------------|-------------|------------------------|-------------|--------------------|-------------|---------------------|
| 1 | | 1 | Deck ASM W/Decals 52 ● | 5 | 116-8283 | 1 | Decal-Torque, Bolt |
| 2 | 117-3848 | 2 | Decal-Danger | 6 | 109-6035 | 1 | Decal-Routing, Belt |
| 3 | 127-0326 | 1 | Decal-Scalp, Anti | 7 | 107-1618 | 1 | Decal |

● Not serviced separately

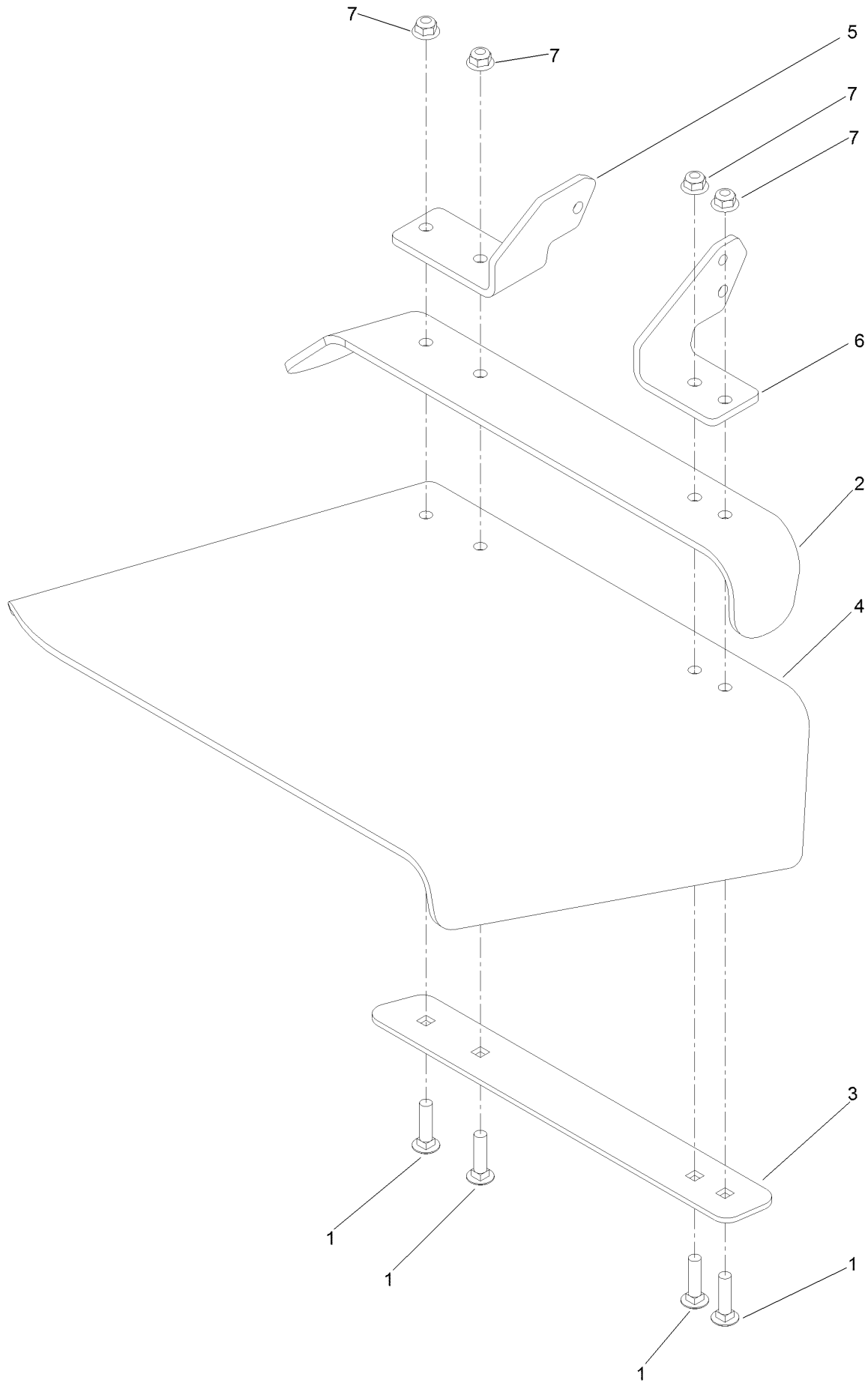
Spindle Assembly No. 137-9780



Spindle Assembly No. 137-9780 (continued)

| <i>Ref.</i> | <i>Part Number</i> | <i>Qty.</i> | <i>Description</i> |
|-------------|--------------------|-------------|--------------------|
| 2 | 116-0720 | 2 | Bearing-Ball |
| 3 | 138-6042 | 1 | Spacer-Bearing |

Deflector Assembly No. 144-2635



Deflector Assembly No. 144-2635 (continued)

| <i>Ref.</i> | <i>Part Number</i> | <i>Qty.</i> | <i>Description</i> | <i>Ref.</i> | <i>Part Number</i> | <i>Qty.</i> | <i>Description</i> |
|-------------|--------------------|-------------|------------------------|-------------|--------------------|-------------|--------------------|
| 1 | 3231-4 | 4 | Screw-CARR | 5 | 108-4059-01 | 1 | Plate-Hinge, Rear |
| 2 | 106-3246-01 | 1 | Deflector | 6 | 106-3253-01 | 1 | Plate-Hinge, Front |
| 3 | 106-3248-03 | 1 | Strap-Discharge | 7 | 104-8301 | 4 | Nut-HF, NI |
| 4 | 139-8114 | 1 | Deflector-Deck, Rubber | | | | |

Idler Arm Assembly No. 139-1087 (continued)

| <i>Ref.</i> | <i>Part Number</i> | <i>Qty.</i> | <i>Description</i> | <i>Ref.</i> | <i>Part Number</i> | <i>Qty.</i> | <i>Description</i> |
|-------------|--------------------|-------------|----------------------|-------------|--------------------|-------------|----------------------|
| 1 | 139-1086 | 1 | Idler Arm ASM | 7 | 109-6658 | 3 | Nut-Flange, NI |
| 2 | 138-2573 | 2 | Bushing-Flange | 8 | 323-15 | 1 | Screw-HH |
| 3 | 139-8060 | 1 | Bushing, Idler | 9 | 3231-5 | 1 | Screw-CARR |
| 4 | 132-9424 | 1 | Pulley-Idler, Flat | 10 | 132-4729 | 1 | Anchor-Spring, Short |
| 5 | 139-6690 | 1 | Bushing, Idler Pivot | 11 | 136-9028 | 1 | Bolt-Shoulder, HWH |
| 6 | 1-213069 | 3 | Washer | 12 | 104-8301 | 1 | Nut-HF, NI |

Attachments and Accessories

For 74050TA 52in Z Master 4000 Series Riding Mower

| Product Name | Model/Part |
|------------------------------------|-------------------|
| Hypr-Oil 500 (quart) | 114-4713 |
| Hypr-Oil 500 (gallon)..... | 114-4714 |
| Hypr-Oil 500-5 (5 gallon)..... | 114-4715 |
| Striper Kit..... | 126-7882 |
| Jack Kit..... | 127-6666 |
| Recycler Kit | 139-6653 |
| Blade-18.00 High Flow | 140-1242 |
| Blade-18.00 Medium Flow | 140-4856 |
| Blade-18.00 Low Flow | 140-4857 |
| Blade-18.00 Atomic | 140-4858 |
| Blade-18.00 Recycler | 140-4859 |
| 6 Pack-Blade, 18.00 High Flow..... | 140-4882 |
| 6 Pack-Blade, 18.00 Med Flow | 140-4883 |
| 6 Pack-Blade, 18.00 Low Flow | 140-4884 |
| 6 Pack-Blade, 18.00 Atomic..... | 140-4885 |
| 6 Pack-Blade, 18.00 Recycler..... | 140-4886 |
| Electric Deck Lift Kit-4000..... | 144-0390 |
| Trimmer Mount | 144-2665 |
| Jack Mount Kit..... | 144-2676 |
| 52" Chute Gate Kit [4000] | 144-6571 |
| Asm-Semi Pneumatic 15x6.50-6 | 145-1919 |
| Handle Extension Kit | 145-3615 |
| Spark Arrestor Screen | 75-6880 |
| Z 4000 Bagger Kit..... | 78463 |
| Z 4000 52in Completion Kit..... | 78465 |

Notes:

Notes:

Notes:



Count on it.