



# Brushcutter

Model No. 51940—230000001 & Up

## Parts Catalog

---

### Ordering Replacement Parts

To order replacement parts, please supply: the part number, the quantity, and the description of each part desired.

### Understanding Reference Numbers

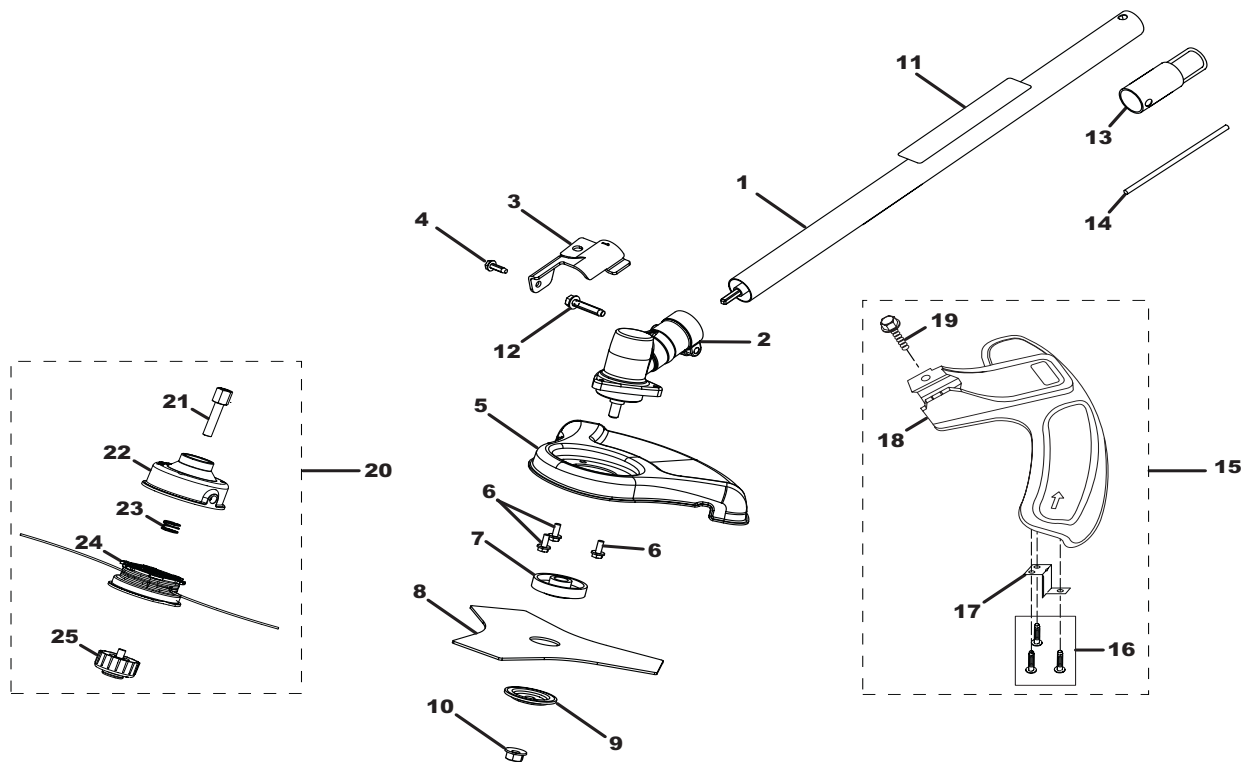
Each identified part in an illustration has a reference number. The reference number for a part also appears in the parts list, along with other information about the part.

### Understanding Figure Numbers

This catalog uses two special reference number formats, one to indicate parts in a service assembly and another to indicate a Figure Number.

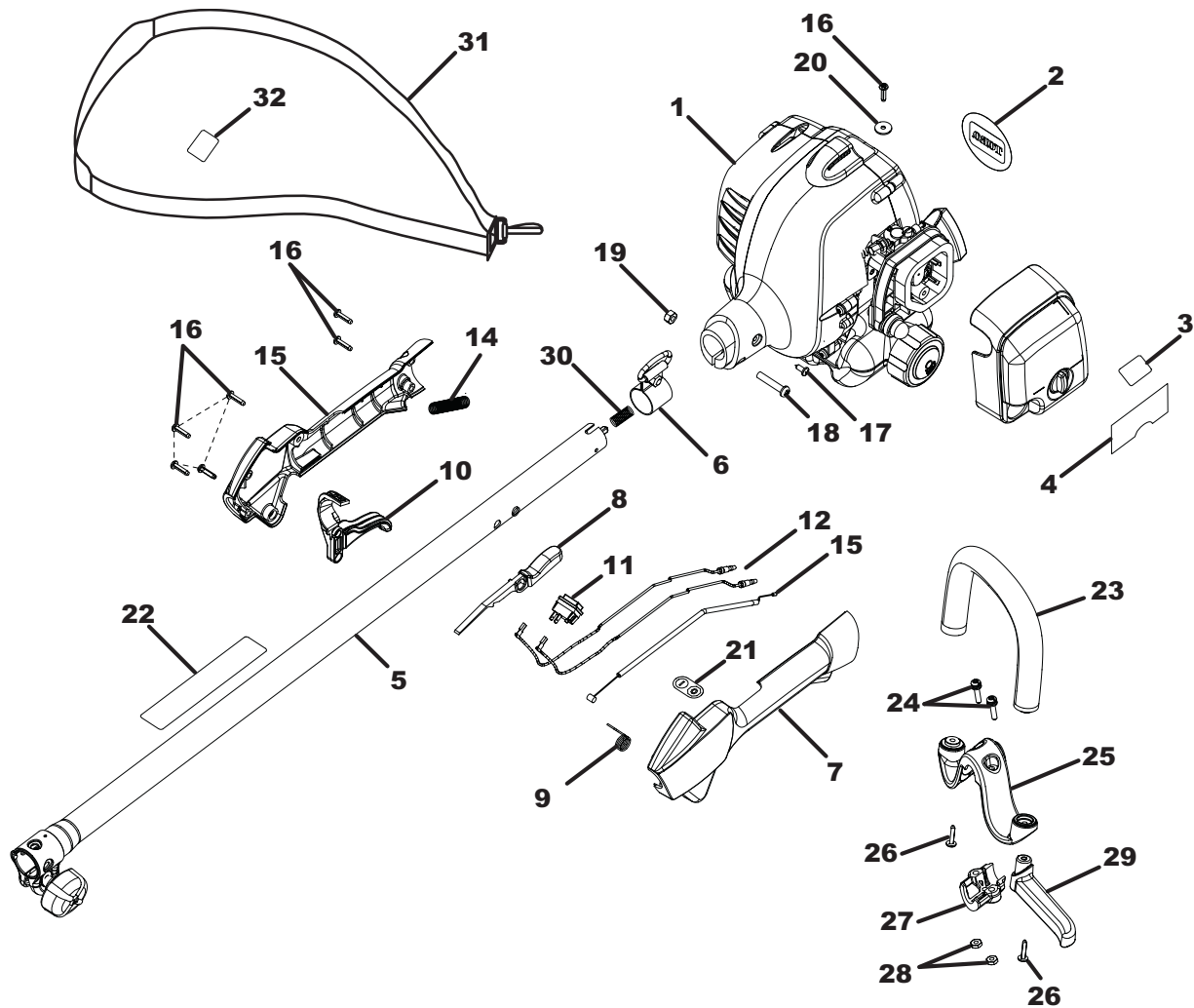
Figure Numbers are represented as a Sub-Assembly which follow the exploded views.

Sub-Assemblies can be ordered as an Assembly or you may order any part individually.



## Attachment Shaft

| Ref. No. | Part No.   | Qty. | Description   |
|----------|------------|------|---|
| 1        | 983643001  | 1    | Straight Shaft Assembly                               |
| 2        | PA01364    | 1    | Gear Case Assembly                                    |
| 3        | PS04420    | 1    | Grass Deflector Clamp                                 |
| 4        | 983774003  | 1    | Screw (#10-24 X 5/8 in. Hex Washer Head, Tri-Lobular) |
| 5        | PS03538    | 1    | Brushcutter Guard                                     |
| 6        | 88049      | 3    | Screw (#10-24 x 1/2 in., Sems Slotted Hex Head)       |
| 7        | 04168A     | 1    | Flanged Washer  |
| 8        | 06297      | 1    | Blade (Tri-Arc™)                                      |
| 9        | 04409      | 1    | Cupped Washer   |
| 10       | 04277      | 1    | Blade Nut, Left-handed threads                        |
| 11       | 984102-001 | 1    | Warning Label   |
| 12       | 983381007  | 1    | Screw (#1/4-20 x 1-1/4 Hex Washer Head, Tri-lobular)  |
| 13       | PS02155    | 1    | Storage Cap   |
| 14       | 00063      | 1    | Head Locking Tool                                     |
| 15       | 984443001  | 1    | Grass Deflector Assembly                              |
| 16       | 82543      | 3    | Screw   |
| 17       | PS04379    | 1    | Line Cutting Blade                                    |
| 18       | 984099001  | 1    | Grass Deflector                                       |
| 19       | 983379078  | 1    | Screw (#1/4-20 x 1-1/4 in. Hex Washer Head, Machine)  |
| 20       | 983797-001 | 1    | Trimmer Head Assembly                                 |
| 21       | PS04438    | 1    | Trimmer Head Shaft Adaptor                            |
| 22       | A98231A    | 1    | Trimmer Head  |
| 23       | 06713      | 1    | Compression Spring                                    |
| 24       | 88046      | 1    | Spool with Line (.095)                                |
| 25       | A97910A    | 1    | Retaining Cap, Left-handed Thread                     |



## Upper Shaft

| Ref. No. | Part No.   | Qty. | Description             |
|----------|------------|------|-------------------------|
| 1        | 0900101    | 1    | Engine Assembly         |
| 2        | 983646-001 | 1    | Logo Label              |
| 3        | 983647-001 | 1    | Upper Start Label       |
| 4        | 983648-001 | 1    | Lower Start Label       |
| 5        | 984096001  | 1    | Upper Shaft Assembly    |
| 6        | 07255      | 1    | Hanger Bracket          |
| 7        | 983621001  | 1    | Rear Handle Support     |
| 8        | 983623001  | 1    | Lock-off Button         |
| 9        | 983624001  | 1    | Trigger Spring          |
| 10       | 983620001  | 1    | Trigger                 |
| 11       | 984236002  | 1    | Switch with Dust Shield |
| 12       | 983782001  | 2    | Lead                    |
| 13       | 983635001  | 1    | Cable, throttle         |
| 14       | 983632003  | 1    | Corrugated Tube         |
| 15       | 983622001  | 1    | Rear Handle Cover       |

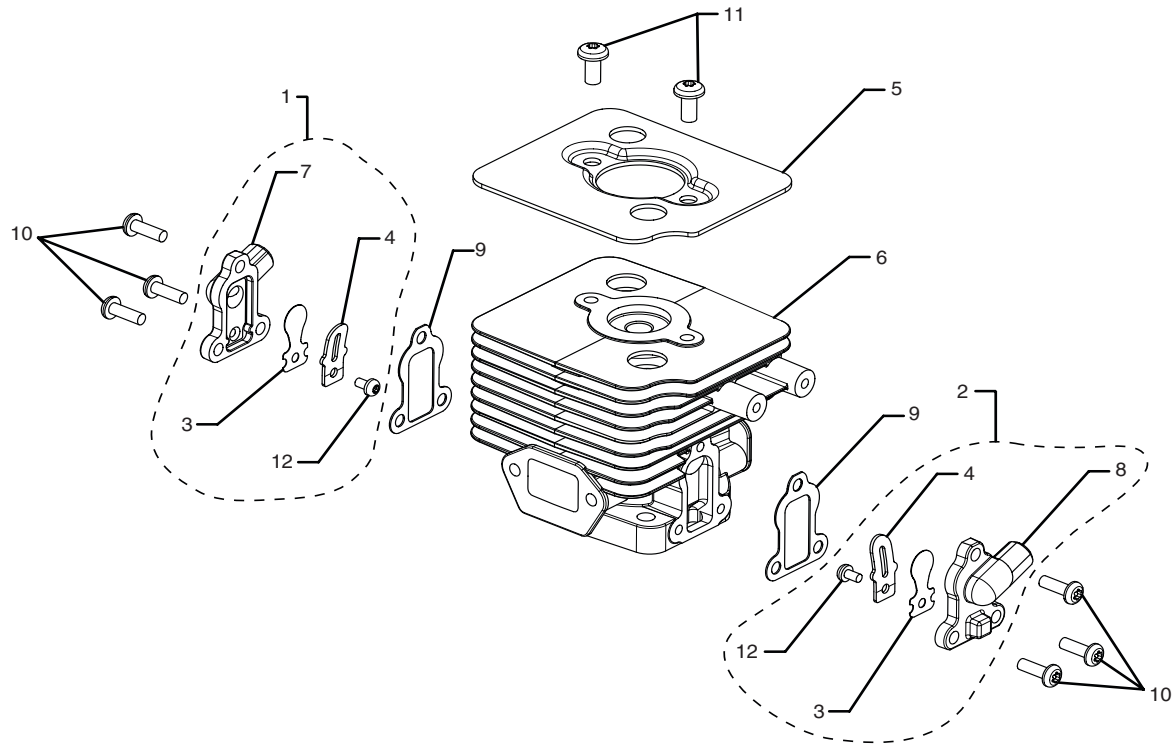
| Ref. No. | Part No.   | Qty. | Description                          |
|----------|------------|------|--------------------------------------|
| 16       | 983638009  | 7    | Screw (M4 x 1.75 x 16 mm)            |
| 17       | 968702007  | 1    | Screw (#8-16 x 1/2 in., Tri-lobular) |
| 18       | 983799023  | 1    | Screw (M6 x 1 x 30 mm)               |
| 19       | 983619015  | 7    | Hex Nut                              |
| 20       | 983788066  | 1    | Washer                               |
| 21       | 984240001  | 1    | On/Off Label                         |
| 22       | 984032-001 | 1    | Warning Label                        |
| 23       | 984439001  | 1    | Assist Handle w/grip                 |
| 24       | PS04159    | 2    | 12-24 x 1 SEMS                       |
| 25       | PS04070    | 1    | M Clamp                              |
| 26       | 82620      | 2    | Slotted Torx Screw                   |
| 27       | PS04072    | 1    | Clamp                                |
| 28       | 81068      | 2    | 12 - 24 Hexnut                       |
| 29       | PS04071    | 1    | Barrier Bar                          |
| 30       | 984106001  | 1    | Spring, Shaft                        |
| 31       | 983961001  | 1    | Harness Assembly                     |
| 32       | 983961-001 | 1    | Quick Release Pull Label             |



## Engine Assembly

| Ref. No. | Part No.     | Qty. | Description              |
|----------|--------------|------|--------------------------|
| 1        | 01183        | 1    | Primer Assembly          |
| 2        | 49422        | 1    | Fuel Filter              |
| 3        | NGK<br>CMR7A | 1    | Spark Plug               |
| 4        | 2914301      | 1    | Lead Assembly, Black     |
| 5        | 2914302      | 1    | Lead Assembly, Red       |
| 6        | 2917801      | 1    | Coil, Boot, Assembly     |
| 7        | 3074101      | 1    | Cylinder Assembly        |
| 8        | 3074501      | 1    | Carburetor Assembly      |
| 9        | 3074701      | 1    | Cover Assembly           |
| 10       | 3074802      | 1    | Muffler Assembly         |
| 11       | 3074901      | 1    | Crankcase Assembly       |
| 12       | 3075301      | 1    | Starter Recoil Assembly  |
| 13       | 3075403      | 1    | Front Housing Assembly   |
| 14       | 3075601      | 1    | Clutch Assembly          |
| 15       | 3075701      | 1    | Fuel Tank Assembly       |
| 16       | 5687001      | 1    | Pipe, Air, Starter Side  |
| 17       | 5687101      | 1    | Pipe, Air, Flywheel Side |
| 18       | 5687201      | 1    | Carburetor Gasket        |
| 19       | 88048        | 1    | Element                  |
| 20       | 5688002      | 1    | Tubing, Plastic Rubber   |
| 21       | 5945601      | 1    | Insulator, Heat Dam      |
| 22       | 5945701      | 1    | Carburetor Plate         |
| 23       | 5945801      | 1    | Choke Lever              |
| 24       | 5945901      | 1    | Choke Plate              |

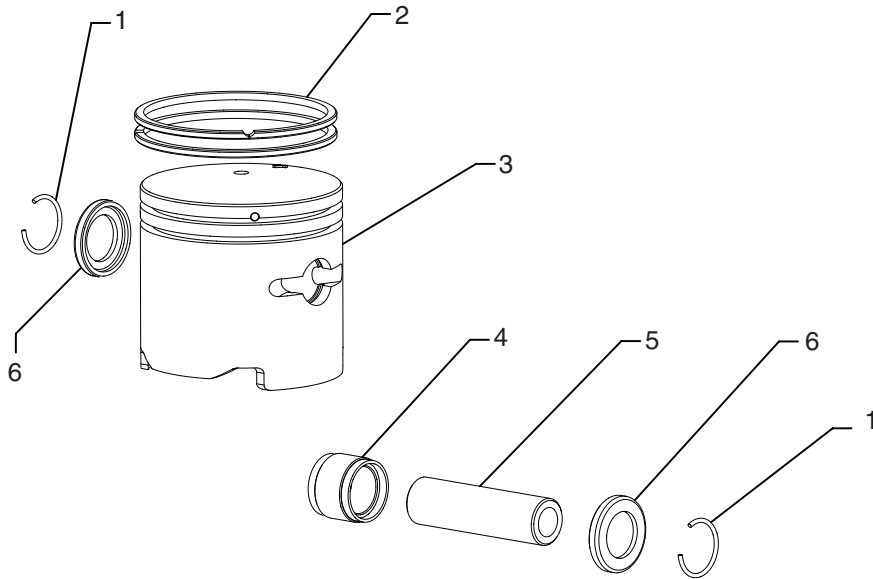
| Ref. No. | Part No.  | Qty. | Description  |
|----------|-----------|------|--|
| 25       | 5946201   | 2    | Ignition Coil Spacer   |
| 26       | 5947001   | 1    | Engine Housing, Rear   |
| 27       | 6300206   | 1    | Muffler Gasket   |
| 28       | 6300210   | 1    | Spark Arrester   |
| 29       | 6300217   | 1    | Pulley   |
| 30       | 6457401   | 1    | Rotor, Permanent Magnet                                      |
| 31       | 6634601   | 2    | Screw (M5 x 0.8 x 60 mm, Slotted Recessed Pan Head, Machine) |
| 32       | 6635301   | 2    | Clutch Screw   |
| 33       | 6968901   | 1    | Rotor Nut  |
| 34       | 6969601   | 2    | Curved Washer  |
| 35       | 6969901   | 1    | Hose Clip  |
| 36       | 6970001   | 1    | Hose Clip  |
| 37       | 9070901   | 1    | Gasket   |
| 38       | 9071101   | 1    | Insulator Gasket   |
| 39       | 982719005 | 2    | Type A, Plain Washer (3/16 x 7/16 x 3/64, Steel, Zink )      |
| 40       | 983619014 | 2    | Nut, (M5 x .8 mm) Black Oxide                                |
| 41       | 983638009 | 4    | Screw (M4 x 1.75 x 16 mm, Type TT, Slotted Recessed Pan)     |
| 42       | 983645005 | 1    | Screw (M4 x 1.75 x 12mm, Type TT, Slotted Recessed Pan Head) |
| 43       | 6634901   | 2    | Screw (M4 x 0.7 x 22 mm, Torx Recessed Pan Head Machined )   |
| 44       | 6635101   | 9    | Screw (M5 x 0.8 x 16 mm, Torx Recessed Pan Head, Machine)    |
| 45       | 6634401   | 4    | Screw (M5 x 0.8 x 20 mm, Torx Recessed Pan Head, Machine)    |
| 46       | 983660057 | 2    | Screw (M5 x 0.8 x 50 mm, Torx Recessed Pan Head, Machine)    |
| 47       | 6634201   | 2    | Screw (M5 x 0.8 x 22 mm, Socket Head Cap, Black Oxide)       |
| 48       | 983784006 | 1    | Woodruff Key ( 10 mm x 3.7 mm x 3 mm)                        |
| 49       | 983788071 | 2    | Washer   |
| 50       | A09116    | 1    | Fuel Cap   |



**Figure A**

**Engine Sub-assembly**

| Ref. No. | Part No.  | Qty. | Description  |
|----------|-----------|------|--|
| 1        | 3074201   | 1    | Start Side Reed Valve Assembly (Includes Key No. 4,5,8 and 13)     |
| 2        | 3074202   | 1    | Flywheel Side Reed Valve Assembly ( Includes Key No. 4,5,9 and 13) |
| 3        | 6300203   | 2    | Stamping Petal Reed Valve  |
| 4        | 6300204   | 2    | Stamping Stop Reed Valve   |
| 5        | 6300221   | 1    | Cylinder Plate   |
| 6        | 6457001   | 1    | Stratified Cylinder  |
| 7        | 6457101   | 2    | Starter Side Cover Valve   |
| 8        | 6457102   | 1    | Flywheel Side Cover Valve  |
| 9        | 9071001   | 2    | Reed Valve Cover Gasket  |
| 10       | 983654008 | 6    | Screw (M4 x 0.7 x 12 in. Torx Recessed Pan Head, Machine)          |
| 11       | 983660005 | 2    | Screw (M5 x 0.8 x 10 in. Torx Recessed Pan Head, Machine)          |
| 12       | 983786070 | 2    | Screw (M3 x 0.5 x 5 in. Torx Recessed Pan Head, Machine)           |



**Figure B**

**Engine Sub-assembly**

| Ref. No. | Part No. | Qty. | Description                 |
|----------|----------|------|-----------------------------|
| 1        | 6969101  | 2    | Wrist Pin Clip Ring         |
| 2        | 6969001  | 2    | Piston Ring                 |
| 3        | 6457301  | 1    | Piston                      |
| 4        | 6968602  | 1    | Needle Bearing (ID 8 x 8.8) |
| 5        | 6222701  | 1    | Wrist Pin                   |
| 6        | 6968701  | 2    | Washer                      |



**OWT Industries, Inc.**

P.O. Box 35  
Highway 8  
Pickens, SC 29671  
USA