



Count on it.

Parts Catalog

**GeoLink® Precision Spray
System Finishing Kit**

**Serial number 316000000 and After Multi
Pro® 5800 Turf Sprayer**

Model No. 41743—Serial No. 415400000 and Up



Ordering Replacement Parts

To order replacement parts, please supply the part number, the quantity, and the description of each part desired.

Understanding Reference Numbers

Each identified part in an illustration has a reference number. The reference number for a part also appears in the parts list, along with other information about the part.

This catalog uses two special reference number formats, one to indicate parts in a service assembly and another to indicate the quantity of a given part in an illustration.

Service Assembly Reference Numbers

Parts in service assemblies have reference numbers in the form a:b. The a represents the reference number of the entire service assembly and the b represents a sequential number unique to each part within the service assembly.

For example, a wheel assembly might be identified by reference number 6, the tire by 6:1, the valve by 6:2, and the wheel by 6:3. When you order the assembly identified by reference number 6, you receive all parts identified by reference numbers 6:1, 6:2, and 6:3. However, you may also order any part individually. Reference numbers of this type appear in illustration and in parts lists.

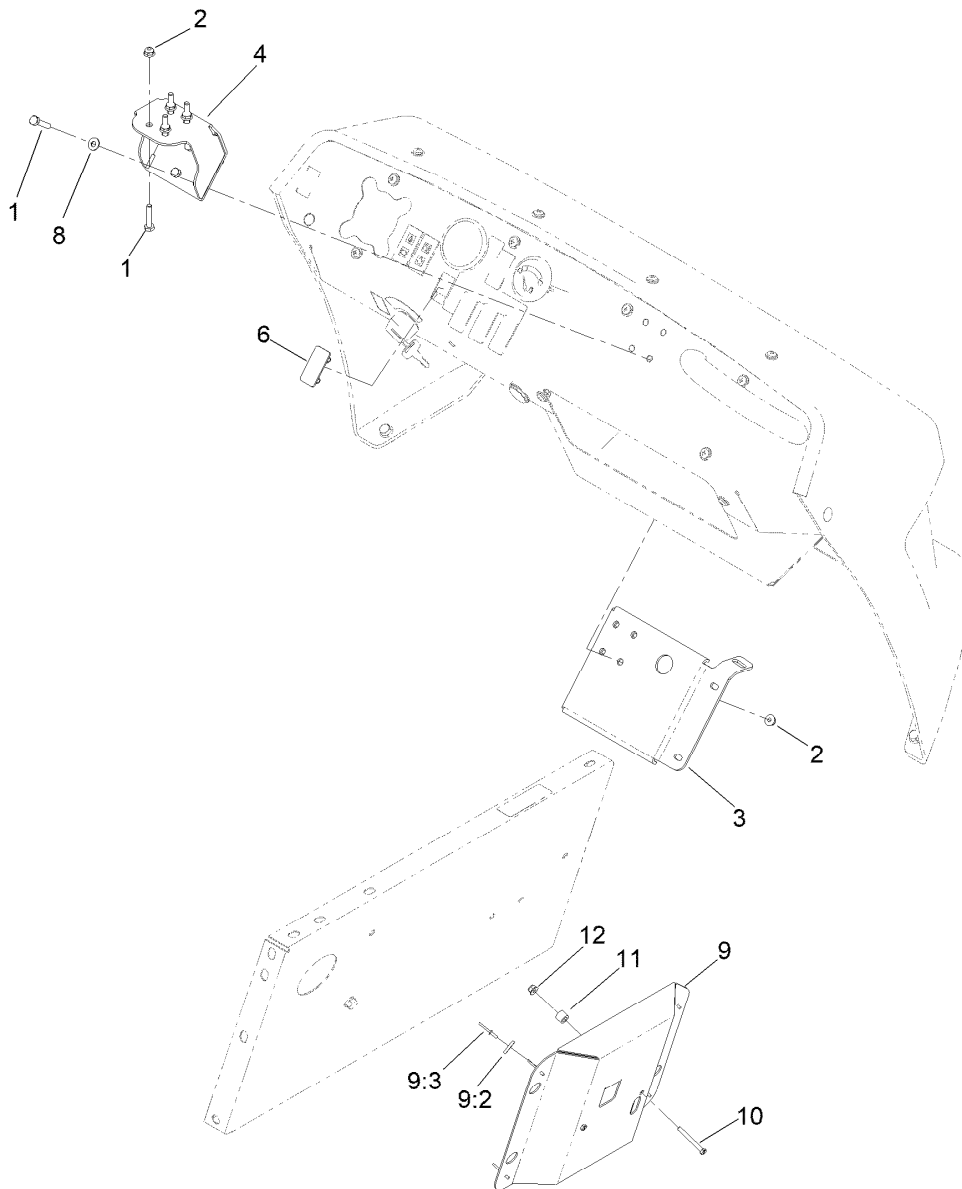
Reference Numbers Indicating Quantity

In an illustration, if a reference number indicates more than one part, the reference number has the form nX y. The n represents the quantity of the part, the X is the multiplication symbol, and the y represents the reference number.

For example, in an illustration, the reference number 2X 37 means that two of the parts identified by reference number 37 are indicated.

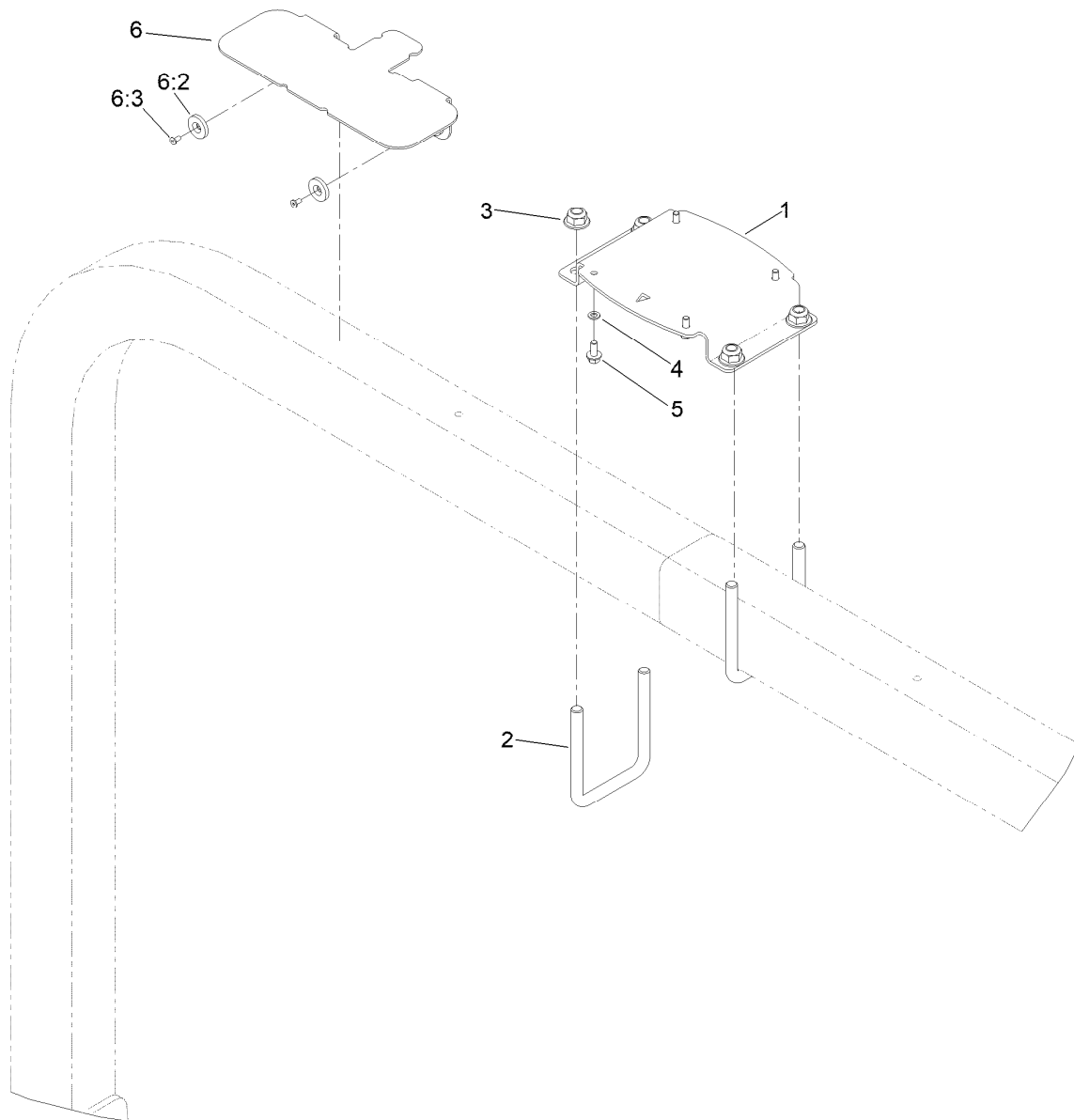
Contents

Monitor and Modem Mount Assembly	4
Antenna Mount Assembly	5
Flow Meter and Connection Manifold Assembly	6
Connection Manifold Assembly No. 136-0449	7
Wire Harness and Section Valve Assembly	8
Manifold Assembly	10
On/Off Manifold Valve Kit No. 127-9803	11
Actuator On/Off Assembly No. 140-7377	12



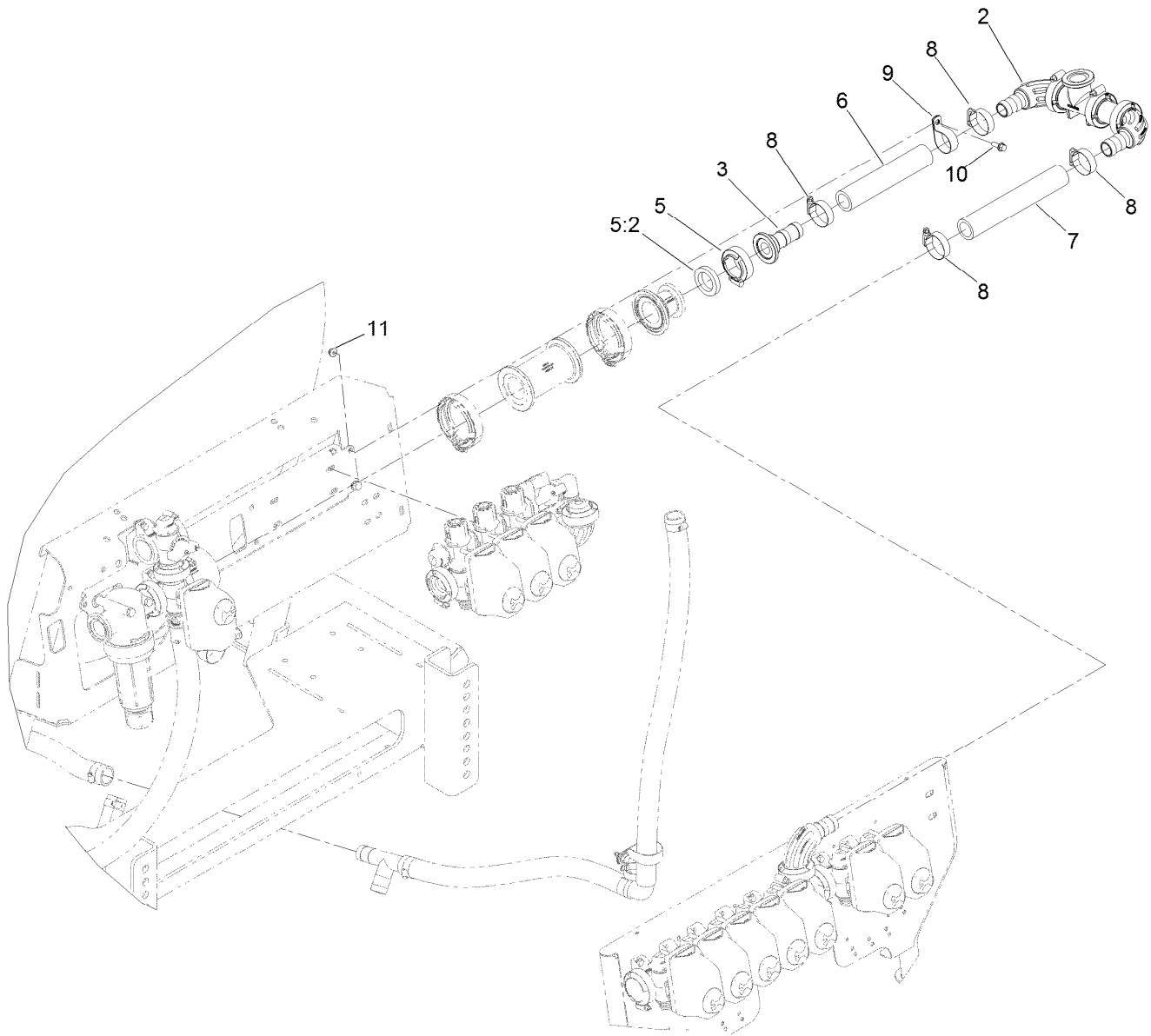
Monitor and Modem Mount Assembly

Ref.	Part Number	Qty.	Description
1	114-0282	8	Screw-HH
2	104-7201	8	Nut-HF, NI
3	136-0378-03	1	Bracket-Stiffener
4	147-0617-03	1	Mount-Monitor
6	99-7420	1	Plug-Hole
8	3256-22	4	Washer-Flat
9	140-7381	1	Modem-Mount ASM
9:2	140-7369	4	Magnet
9:3	3290-55	4	Rivet-Pop
10	3290-424	2	Screw-SHH
11	138-9250	2	Spacer
12	138-0719	2	Nut-HF



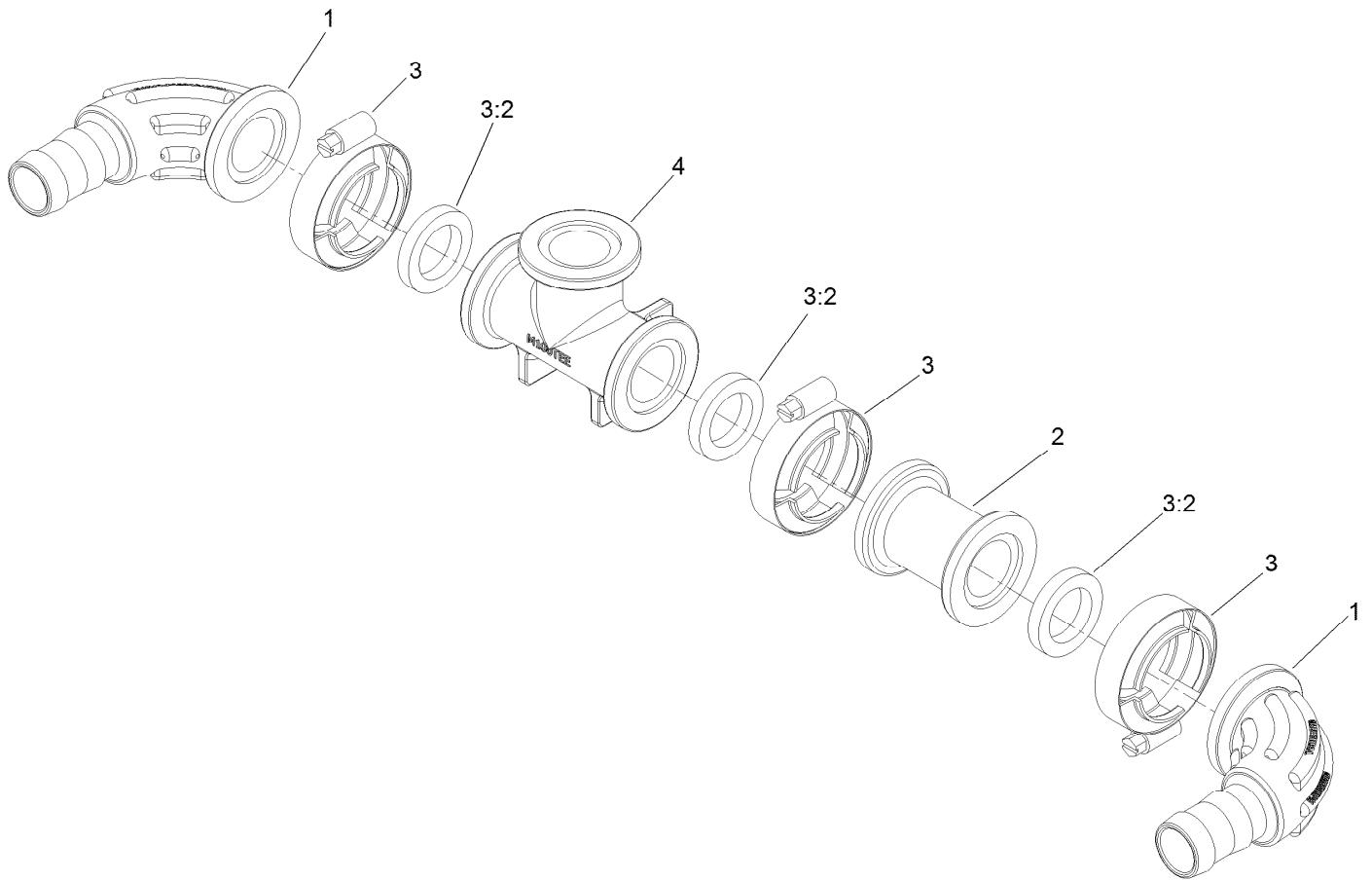
Antenna Mount Assembly

<i>Ref.</i>	<i>Part Number</i>	<i>Qty.</i>	<i>Description</i>
1	144-6009-03	1	Bracket-Mount, Agi2
2	47-3460	2	U-Bolt
3	104-8301	4	Nut-HF, NI
4	43-5920	4	Washer-Lock, Spring
5	120-4579	4	Screw-HHF
6	147-3178	1	Antenna Mount, ASM
6:2	140-7369	2	Magnet
6:3	3290-55	2	Rivet-Pop



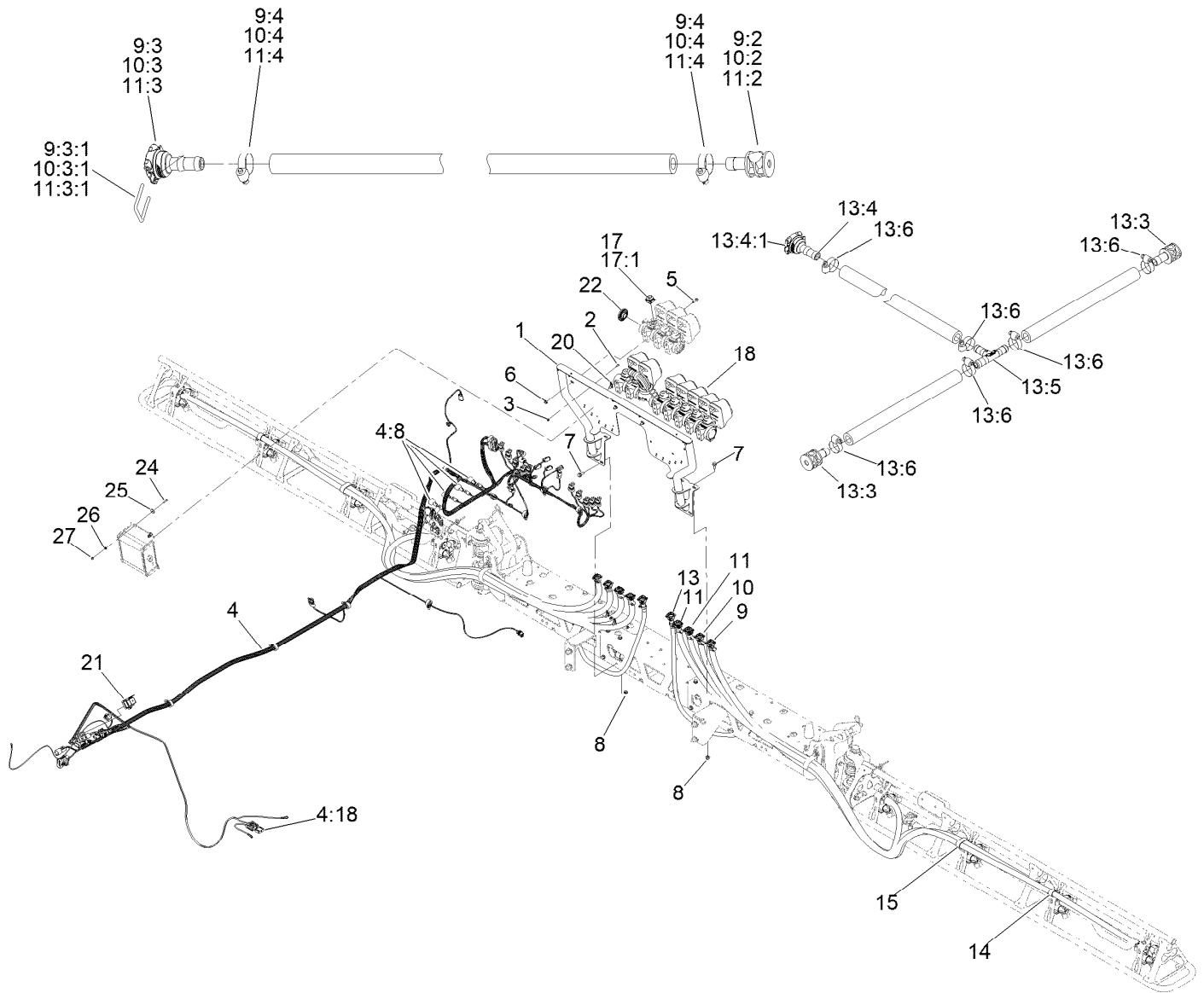
Flow Meter and Connection Manifold Assembly

<i>Ref.</i>	<i>Part Number</i>	<i>Qty.</i>	<i>Description</i>
2	136-0449	1	Connection Manifold ASM
3	127-1142	1	Fitting-STR
5	127-9829	1	Clamp/Gasket Kit
5:2	127-1145	1	Gasket-Flange
6	132-4257	1	Hose
7	132-4258	1	Hose
8	2412-3	4	Clamp-Hose
9	2412-74	1	R-Clamp
10	3234-4	1	Screw-HHF
11	104-7201	1	Nut-HF, NI



Connection Manifold Assembly No. 136-0449

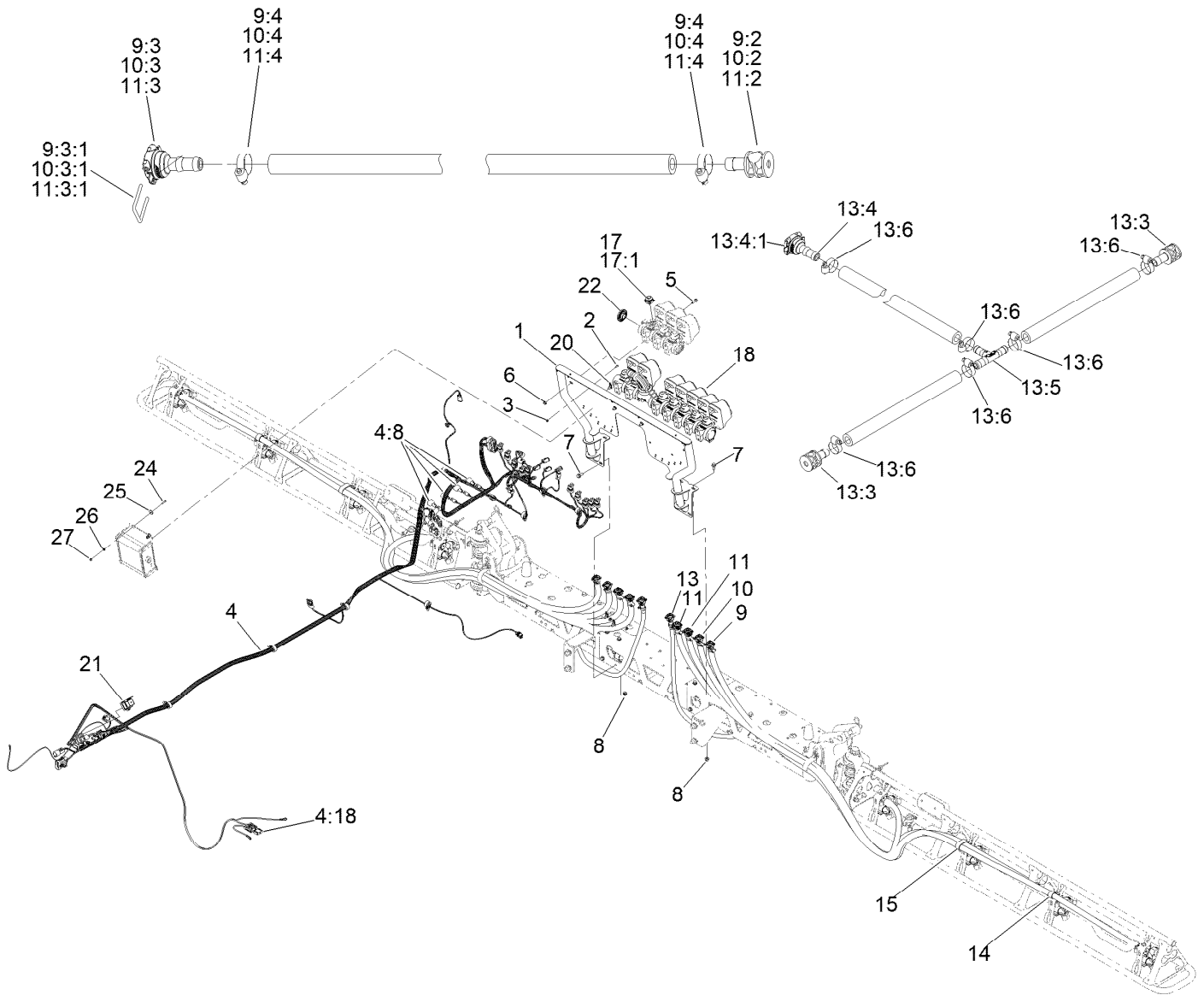
<i>Ref.</i>	<i>Part Number</i>	<i>Qty.</i>	<i>Description</i>
1	131-0241	2	Fitting-Elb 90
2	127-9814	1	Fitting-Adapter
3	127-9829	3	Clamp/Gasket Kit
3:2	127-1145	1	Gasket-Flange
4	127-9834	1	Fitting-Tee



Wire Harness and Section Valve Assembly

Ref.	Part Number	Qty.	Description	Ref.	Part Number	Qty.	Description
1	131-3753-03	1	Mount-Valve, GPS	10:3:1	133-0398	1	Pin-Fork
2	60-6500	4	Screw-HH	10:4	2412-36	2	Clamp-Hose
3	140-3749	4	Nut-Lock Rohs	11	131-7290	4	Hose Nozzle ASM
4	122-0824	1	Harness-Wire	11:2	130-7265	1	Shank-Nozzle, Single
4:8	100-4918	4	Diode	11:3	139-3088	1	Kit-Fitting, Qc 1/2" STR Barb
4:18	94-8002	1	Fuse-Blade, 50 Amp	11:3:1	133-0398	1	Pin-Fork
5	3234-4	8	Screw-HHF	11:4	2412-36	2	Clamp-Hose
6	104-7201	8	Nut-HF, NI	13	131-7292	2	Hose Nozzle ASM
7	3234-47	8	Screw-HHF	13:3	130-7265	2	Shank-Nozzle, Single
8	104-8300	8	Nut-HF, NI	13:4	139-3088	1	Kit-Fitting, Qc 1/2" STR Barb
9	131-7288	2	Hose Nozzle ASM	13:4:1	133-0398	1	Pin-Fork
9:2	130-7265	1	Shank-Nozzle, Single	13:5	131-3736	1	Fitting-Tee, Barb
9:3	139-3088	1	Kit-Fitting, Qc 1/2" STR Barb	13:6	2412-36	6	Clamp-Hose
9:3:1	133-0398	1	Pin-Fork	14	2412-39	2	Clamp-R
9:4	2412-36	2	Clamp-Hose	15	2412-137	2	Clamp-R, Double
10	131-7289	2	Hose Nozzle ASM	17	127-9811	3	Fitting-Cap, Female
10:2	130-7265	1	Shank-Nozzle, Single	17:1	133-0398	1	Pin-Fork
10:3	139-3088	1	Kit-Fitting, Qc 1/2" STR Barb				

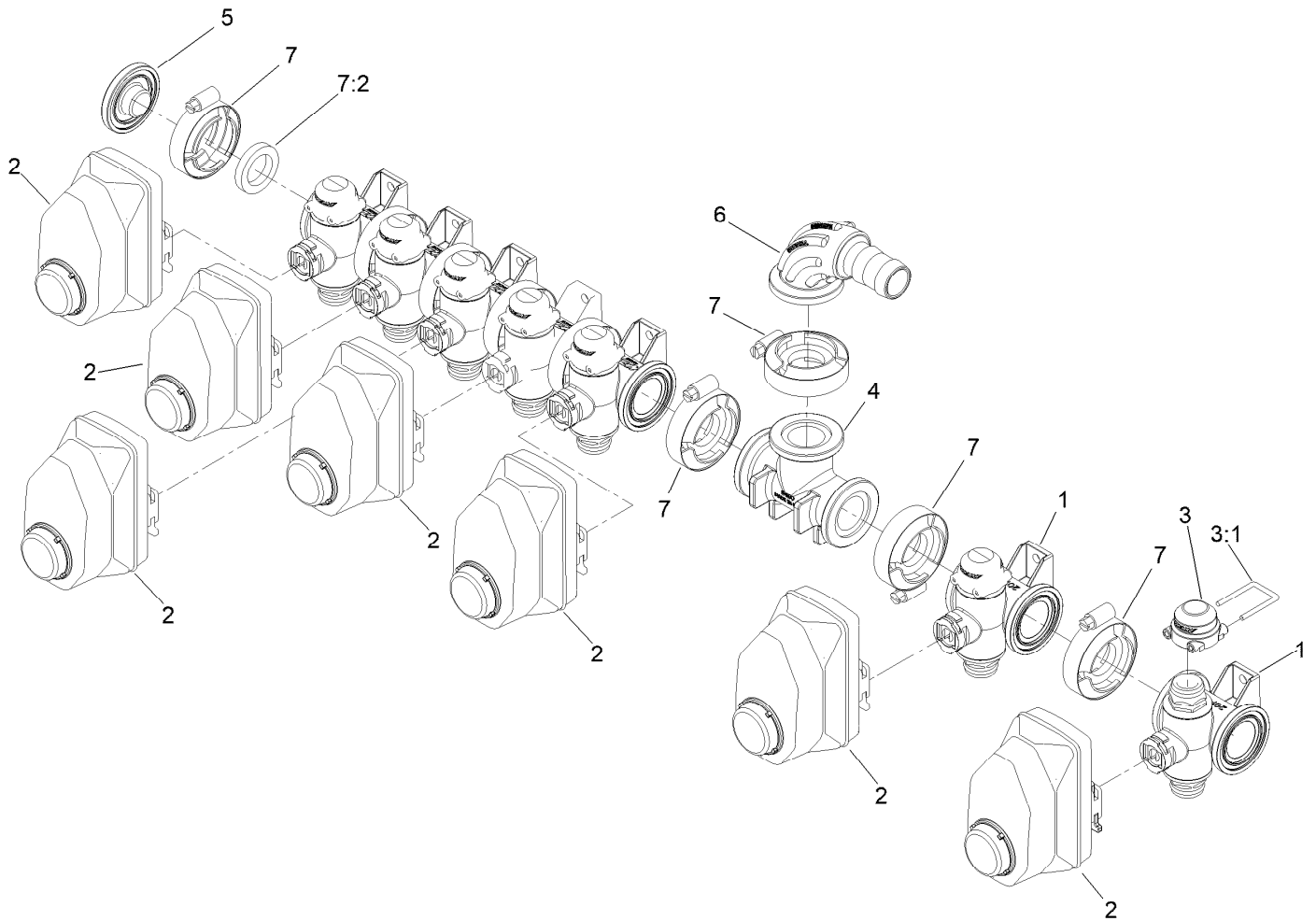
● Not serviced separately



Wire Harness and Section Valve Assembly (continued)

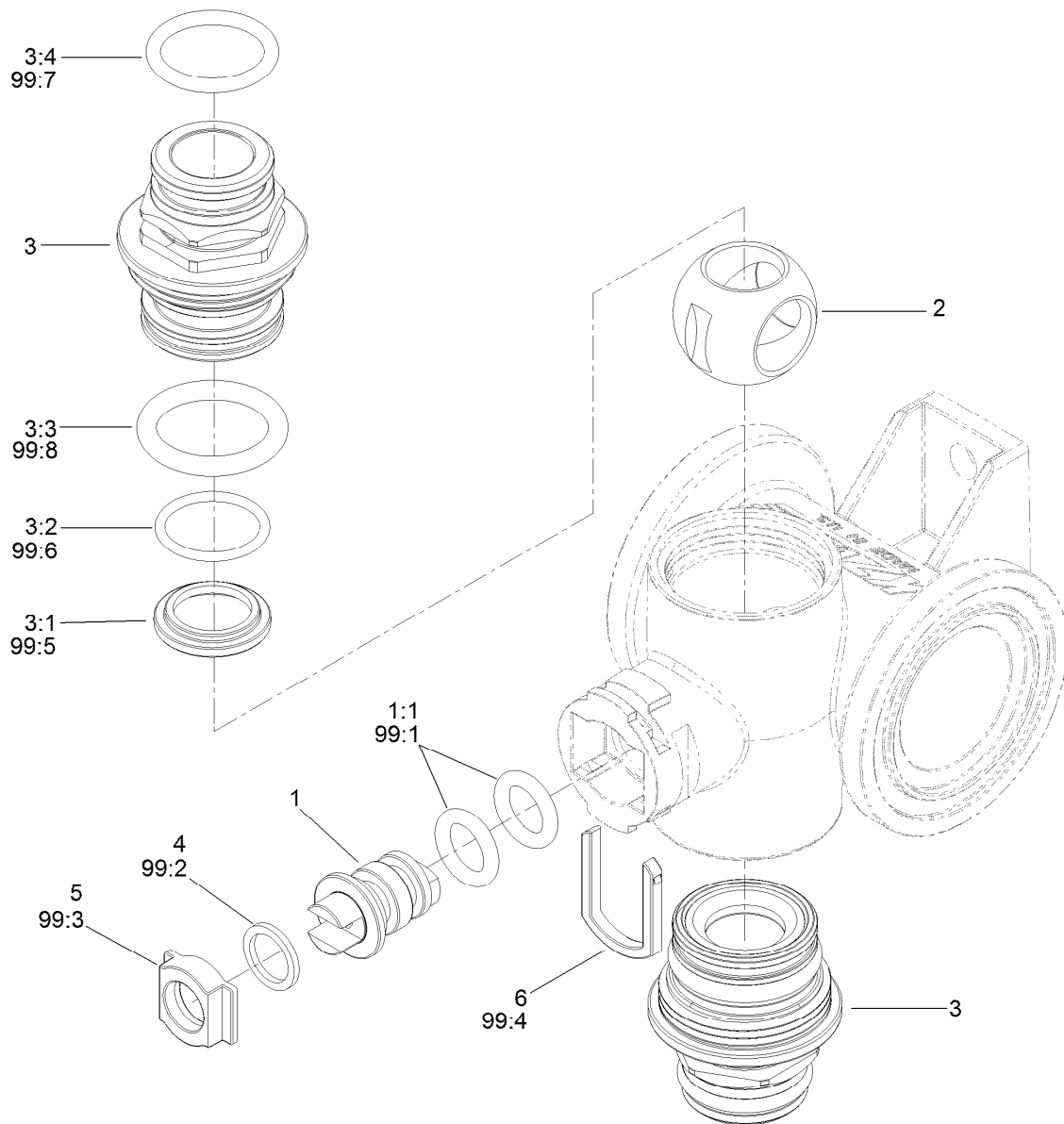
Ref.	Part Number	Qty.	Description	Ref.	Part Number	Qty.	Description
18		1	Manifold ASM-Geolink, Mp5800 ●	24	147-4691	4	Screw-PFH
20	32180-161	3	Clip-Connector	25	140-7369	4	Magnet
21	99-7430	1	Relay-Mini	26	3256-21	4	Washer-Flat
22	127-9815	1	Fitting-Cap	27	3296-1	4	Nut-Lock

● Not serviced separately



Manifold Assembly

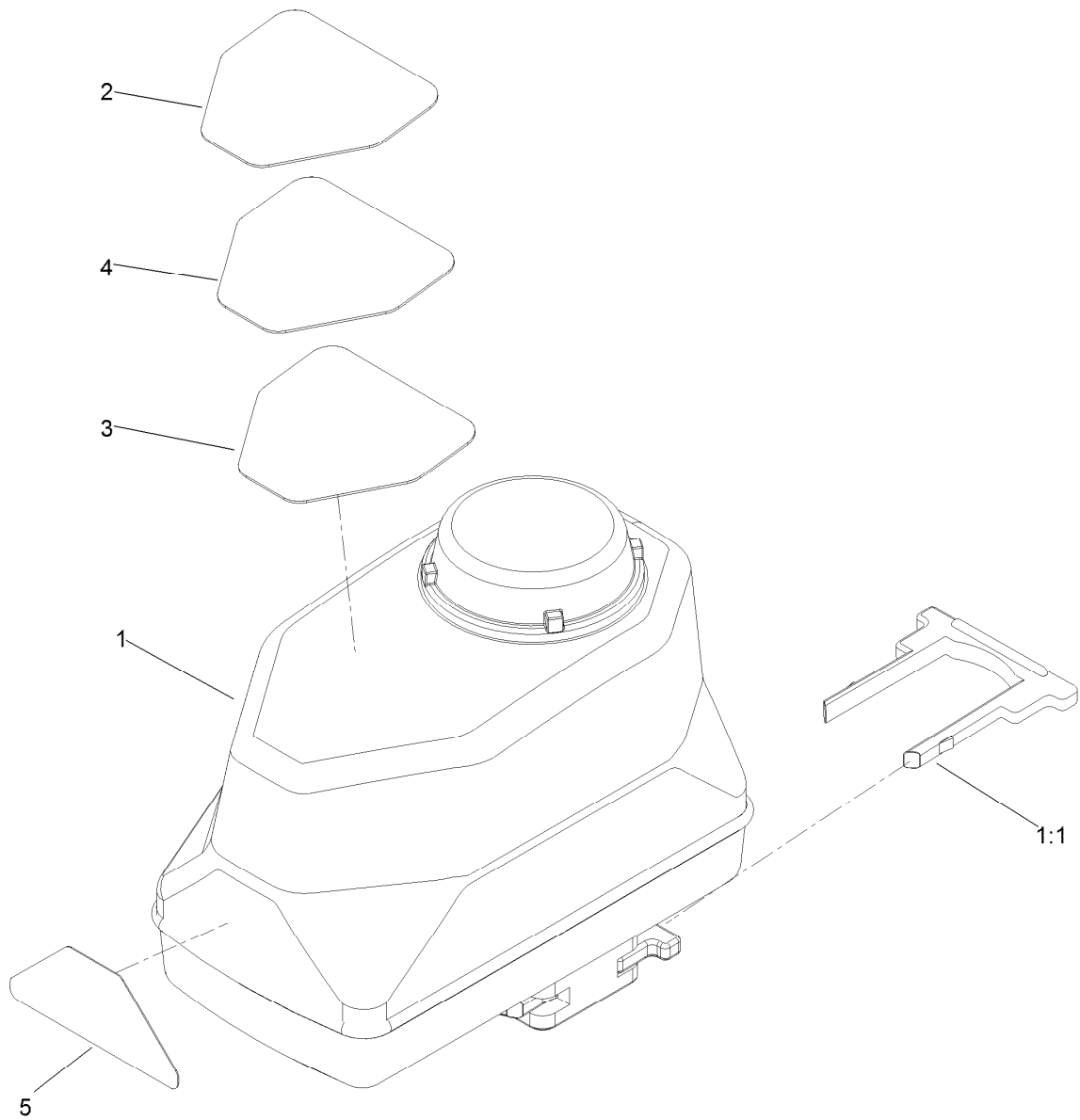
<i>Ref.</i>	<i>Part Number</i>	<i>Qty.</i>	<i>Description</i>
1	127-9803	7	On/Off Manifold Valve Kit
2	140-7377	7	Kit-Actuator Pi, On/Off
3	127-9811	7	Fitting-Cap, Female
3:1	133-0398	1	Pin-Fork
4	127-9834	1	Fitting-Tee
5	127-9815	1	Fitting-Cap
6	131-0241	1	Fitting-Elb 90
7	127-9829	9	Clamp/Gasket Kit
7:2	127-1145	1	Gasket-Flange



On/Off Manifold Valve Kit No. 127-9803

<i>Ref.</i>	<i>Part Number</i>	<i>Qty.</i>	<i>Description</i>	<i>Ref.</i>	<i>Part Number</i>	<i>Qty.</i>	<i>Description</i>
1	130-8248	1	Valve Stem Kit	6	127-1190	1	Fork-Stem, Valve
1:1	127-1197	2	O-Ring-Stem	99	130-7304	1	Valve Repair Kit ●
2	127-1194	1	Ball-Valve, 3Way	99:1	127-1197	2	O-Ring-Stem
3	130-7317	2	Endcap Kit	99:2	127-1196	2	Washer-Stem, Valve
3:1	127-1192	1	Seat-Ball	99:3	127-1195	1	Seat-Stem, Valve
3:2	127-1188	1	O-Ring, Seat (Ball)	99:4	127-1190	1	Fork-Stem, Valve
3:3	127-1189	1	O-Ring, Endcap	99:5	127-1192	2	Seat-Ball
3:4	127-1187	1	O-Ring, Endcap	99:6	127-1188	2	O-Ring, Seat (Ball)
4	127-1196	1	Washer-Stem, Valve	99:7	127-1187	2	O-Ring, Endcap
5	127-1195	1	Seat-Stem, Valve	99:8	127-1189	2	O-Ring, Endcap

● Not illustrated



Actuator On/Off Assembly No. 140-7377

<i>Ref.</i>	<i>Part Number</i>	<i>Qty.</i>	<i>Description</i>
1	140-7315	1	Actuator - On/Off
1:1	130-7301	1	Hairpin-Actuator
2	127-6979	1	Decal-Valve, Agitation
3	127-6981	1	Decal-Valve, On/Off
4	127-6982	1	Decal-Valve, Master Boom
5	127-6976	1	Decal-Valve, Bypass Adjust

Notes:

Notes:

Notes:



Count on it.