



Light Kit
TimeCutter™ Z Riding Mower
 Part No. 104-8041

Installation Instructions

Attaching the Lights

1. To attach the side light, place the upper bracket on the left-hand frame rail approximately 7/8 in. (22 mm) from the deck mounting arm. Secure the lower bracket to the upper bracket with a bolt (1/4 x 5/8 in.) and locknut (Fig. 1).
2. Attach the light to the brackets with a hex. head screw (5/16 x 1 in.), lock washer, and nut (Fig. 1).

Important Ensure that the side light does not interfere with parking brake operation. The light is intended to be aimed down toward the mower.

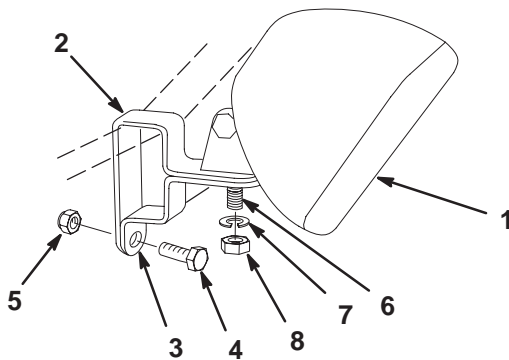


Figure 1

- | | |
|------------------------|----------------------------------|
| 1. Light | 6. Hex. head screw, 5/16 x 1 in. |
| 2. Upper bracket | 7. Lock washer |
| 3. Lower bracket | 8. Nut |
| 4. Bolt, 1/4 x 5/8 in. | |
| 5. Locknut | |

3. Align the other two lights with the holes at the front of the floor pan. Secure each light with a hex. head screw (5/16 x 1 in.), lock washer, and nut (Fig. 2).

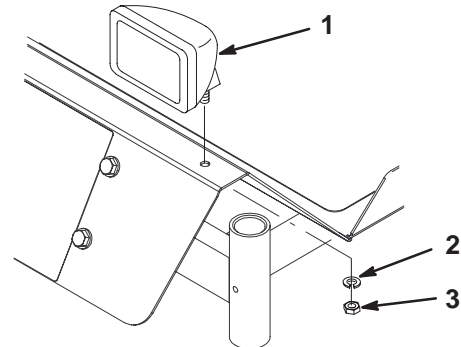


Figure 2

- | | |
|------------------------------|----------------|
| 1. Light and hex. head screw | 2. Lock washer |
| | 3. Nut |

Installing the Switch

1. Lift the seat.
2. Remove the screws and washers securing the control panel. Remove the panel.
3. Remove the plug in the control panel.
4. Slide the gasket around the bottom of the light switch and insert the switch into the hole in the control panel so that the rounded part of the switch is near the top of the panel (Fig. 3).

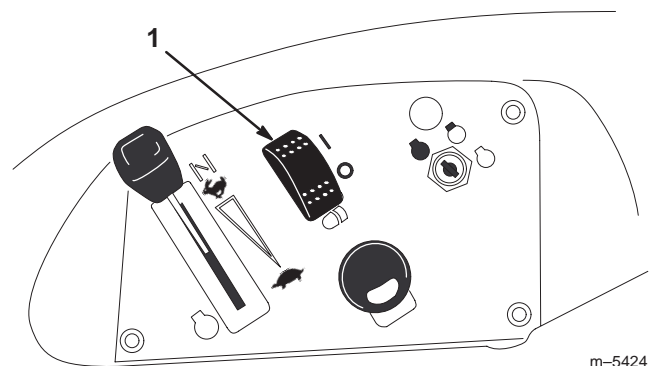


Figure 3

1. Light switch

5. Connect the light wire harness to the main wire harness and to the light switch.
6. Route the wire harness through the hole in the side of the control panel and attach the panel to the machine using the screws and washers.

Installing the Wire Harness

1. Route the wire harness over the rear frame, through the large hole in the rear panel, and behind the battery (Fig. 4). Pull the harness to remove slack.
2. Secure the light wire harness to the main wire harness with the 2 cable ties. Place one cable tie near the control panel and one near the rear frame rail (Fig. 4).

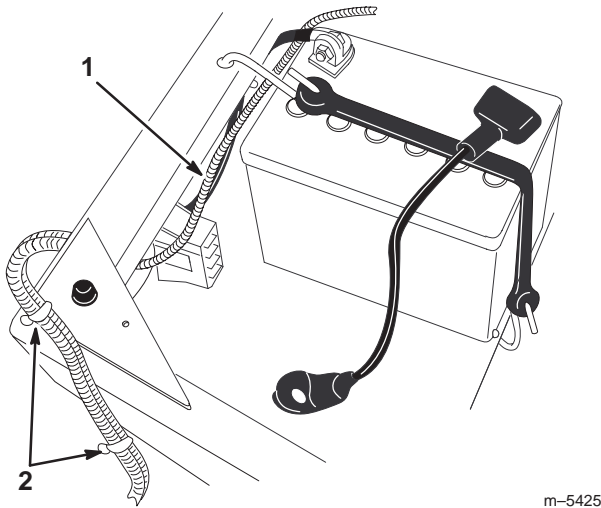


Figure 4

1. Wire harness
2. Cable ties

3. Route the harness through the hole in the left side panel. Route it over the frame and deck lift shaft (Fig. 5) and along the bottom of the left-hand frame rail.

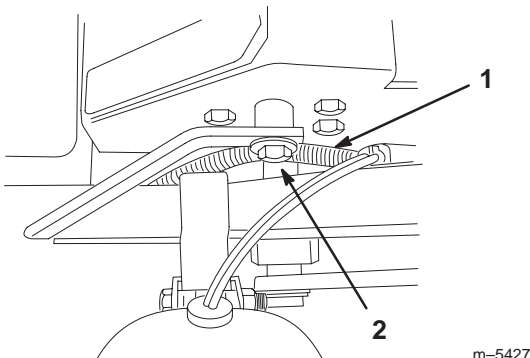


Figure 5

1. Wire harness
2. Deck lift shaft

4. Pull the open connector up along the side of the front console and attach it to the light on the left-hand side of the machine. Ensure that the harness does not interfere with the parking brake or motion control lever.
5. To secure the harness to the machine, push the harness clips through the holes on the left side of the floor plate.
6. Route the harness over the front trunnion rod (Fig. 6) and connect the wire harness to the front lights.

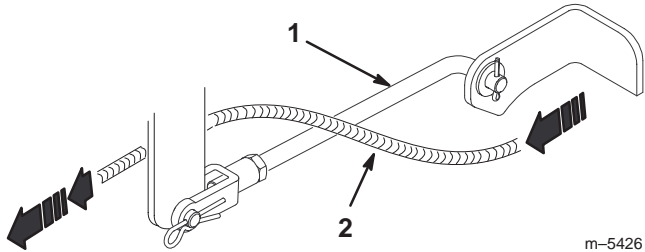


Figure 6

1. Front trunnion rod
2. Wire harness

Installing the Fuse

1. Install the 10 amp. fuse into the fuse block in the slot shown in Figure 7.
2. Lower the seat.

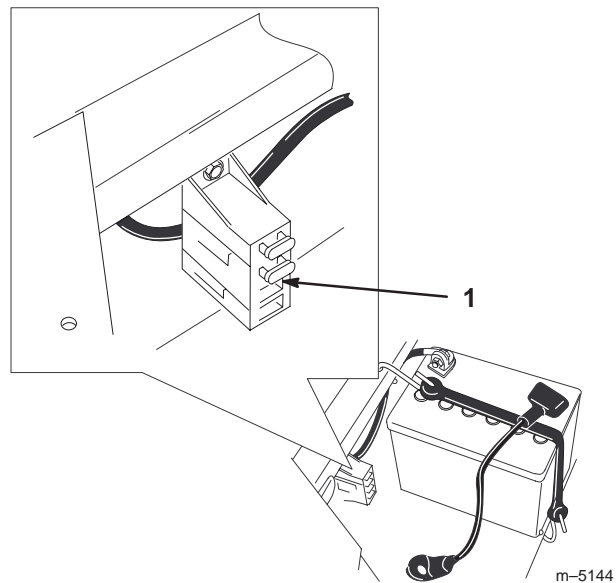


Figure 7

1. Install fuse here